

All rights reserved by **CNHi**.

The information contained in this catalogue is intended to be of a general nature only. **CNHi** may at any time and from time to time, for technical or other necessary reasons, modify any of the details or specifications of the product described in this catalogue.

To be sure of getting accurate, detailed and up-to-date information, an intending buyer should consult his nearest **CNHi** dealer or distributor.

Single item numeration method used in this catalogue may not be used without written consent from **CNHi**.

CLICK HERE TO **DOWNLOAD** THE COMPLETE MANUAL

- Thank you very much for reading the preview of the manual.
- You can download the complete manual from: www.heydownloads.com by clicking the link below



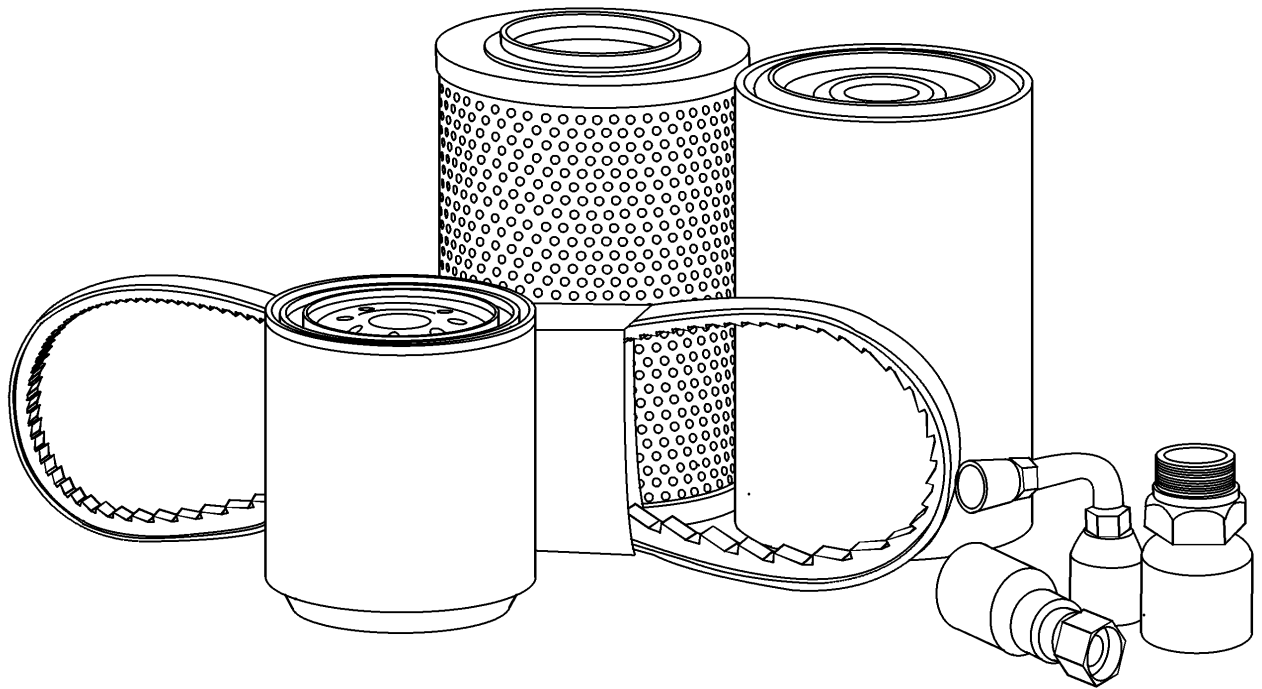
- Please note: If there is no response to CLICKING the link, please download this PDF first and then click on it.

CLICK HERE TO **DOWNLOAD** THE COMPLETE MANUAL

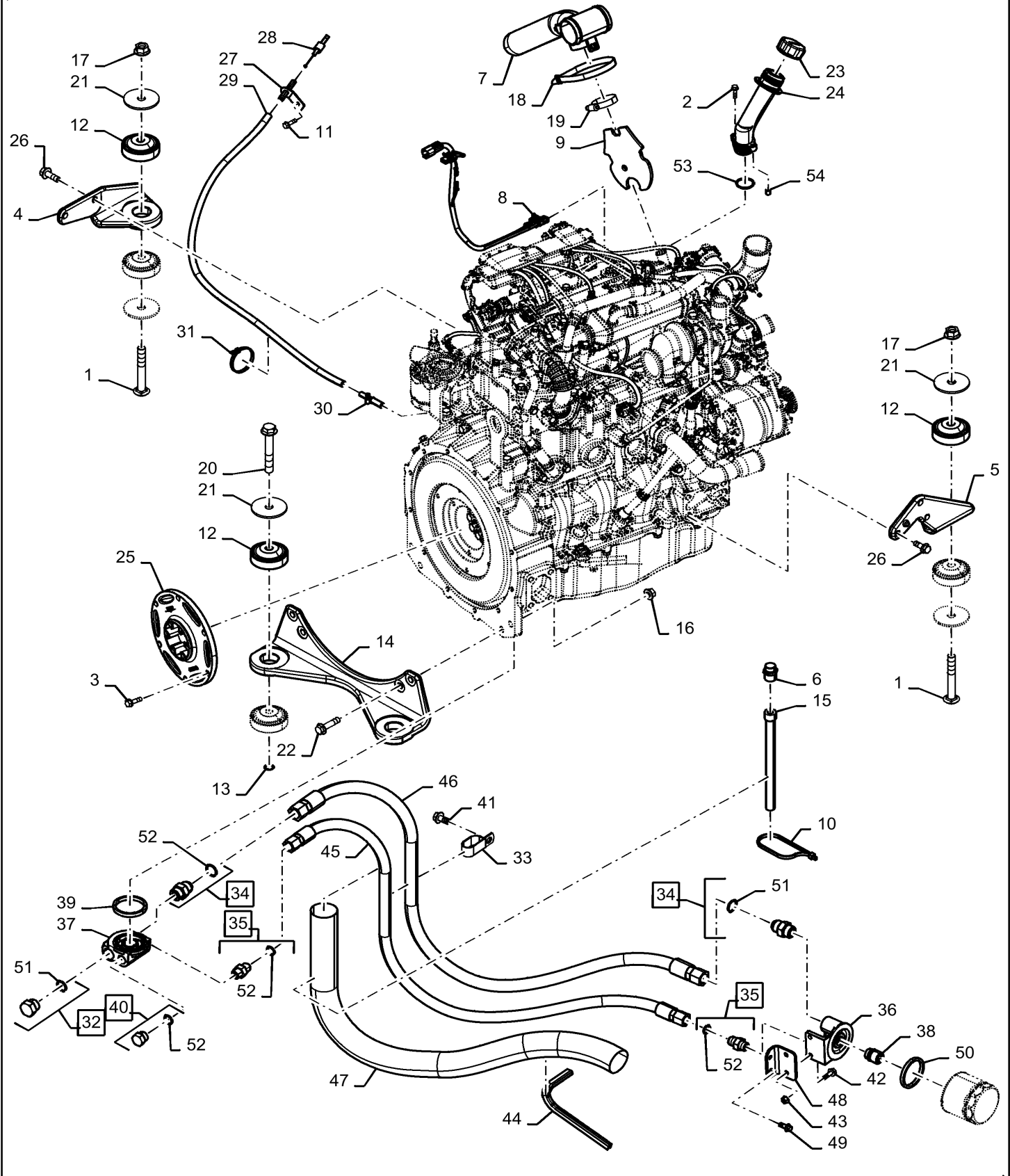
TABLE OF CONTENTS

88.100.090	10	KIT, F.O.P.S. LEVEL 2 MODIFICATION
88.100.090	11	KIT, DEALER INSTALLED, HAND CONTROLS, T4
88.100.090	12	KIT, 3 PT SEAT BELT, CASE
88.100.090	14	KIT, INTERIOR TRIM CASE EURO
88.100.090	15	KIT, INTERIOR TRIM CASE
88.100.090	18	KIT, RH SIDE SCREEN
88.100.090	19	KIT, LH SIDE SCREEN
88.100.090	20	KIT, 3 INCH LAP BELT - CASE
88.100.090	22	DIA KIT, CAB SIDE WINDOW
88.100.090	25	DIA KIT, FIRE EXTINGUISHER
88.100.090	26	DIA KIT, FOOT CONTROL STABILZE WITH RIDE CONTROL
88.100.090	27	DIA KIT, FOOT CONTROL STABILZE WITHOUT RIDE CONTROL
88.100.090	28	DIA KIT, RADIO
88.100.090	29	DIA KIT, REAR EXTERIOR ACCESS WINDOW
88.100.090	30	DIA KIT, REMOVABLE TOP WINDOW
88.100.090	31	DIA KIT FOOT CONTROLS T4
89.100.010		FORKS
90.100.010		SOFT SEAL, HOOD, COVER
90.100.030		HOOD, COVER
90.100.050		REAR DOOR, HD
90.100.060		REAR DOOR, SD
90.100.070		HOOD STRUT
90.100.080		HOOD BRACKET WITH HAVC
90.105.010		HEEL PLATE SEAL
90.108.010		DECAL, COMMON TO MODEL
90.108.010		DECAL, COMMON TO MODEL
90.114.010		LAP BAR SAFETY DEVICE
90.114.010		LAP BAR, SAFETY DEVICE, MECHANICAL
90.114.020		LAP BAR STOP
90.116.010		LOADER ARM STOP
90.120.020	01	SEAT, MECHANICAL SUSPENSION, MOUNTING
90.120.020	01	SEAT, SUSPENSION, MOUNTING
90.120.020	02	SEAT, MECHANICAL SUSPENSION
90.120.020	02	SEAT, NON-SUSPENSION, MOUNTING

FLUID, CAPACITIES



ENGINE ACCESSORIES

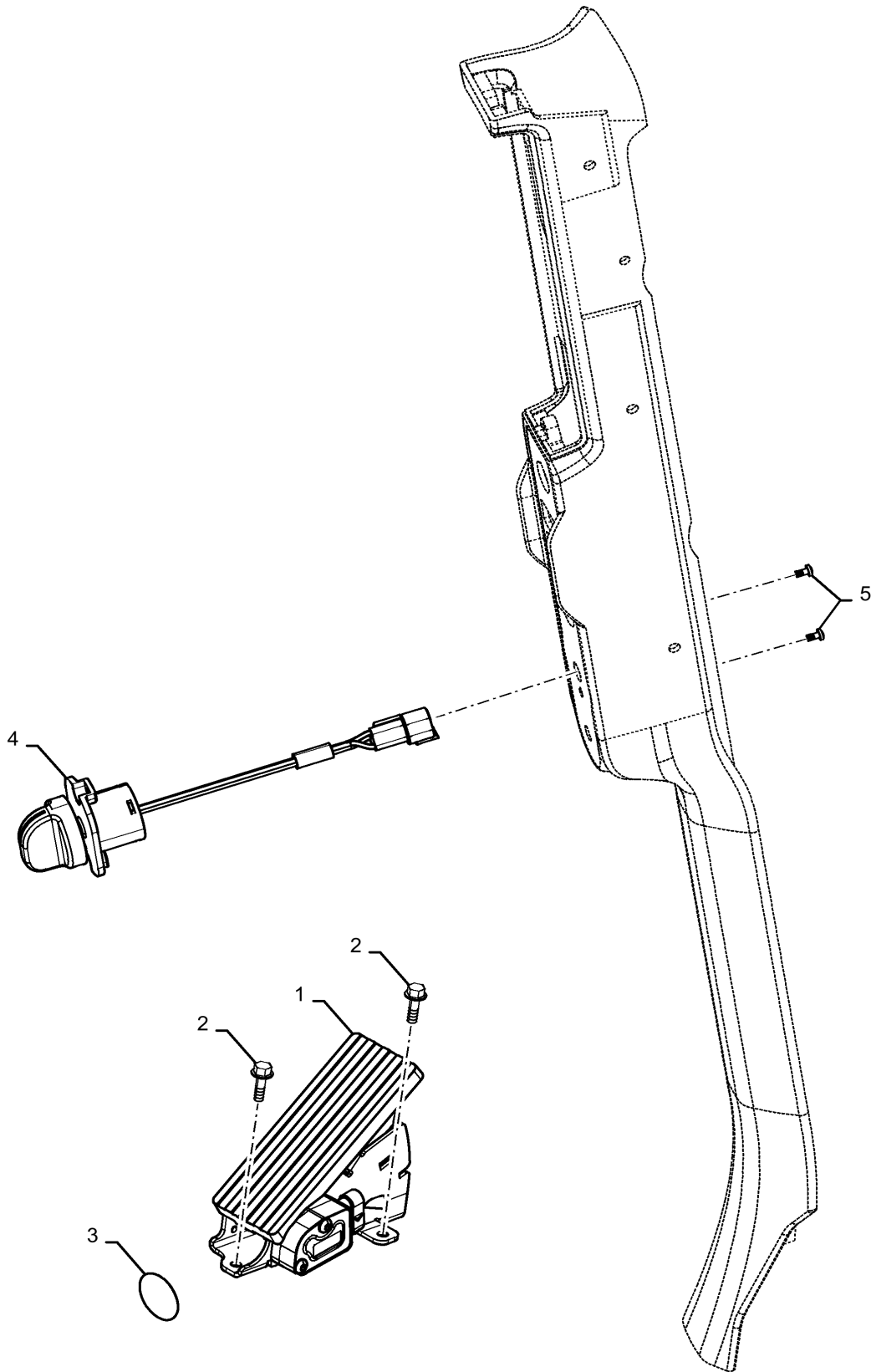


10.220.020

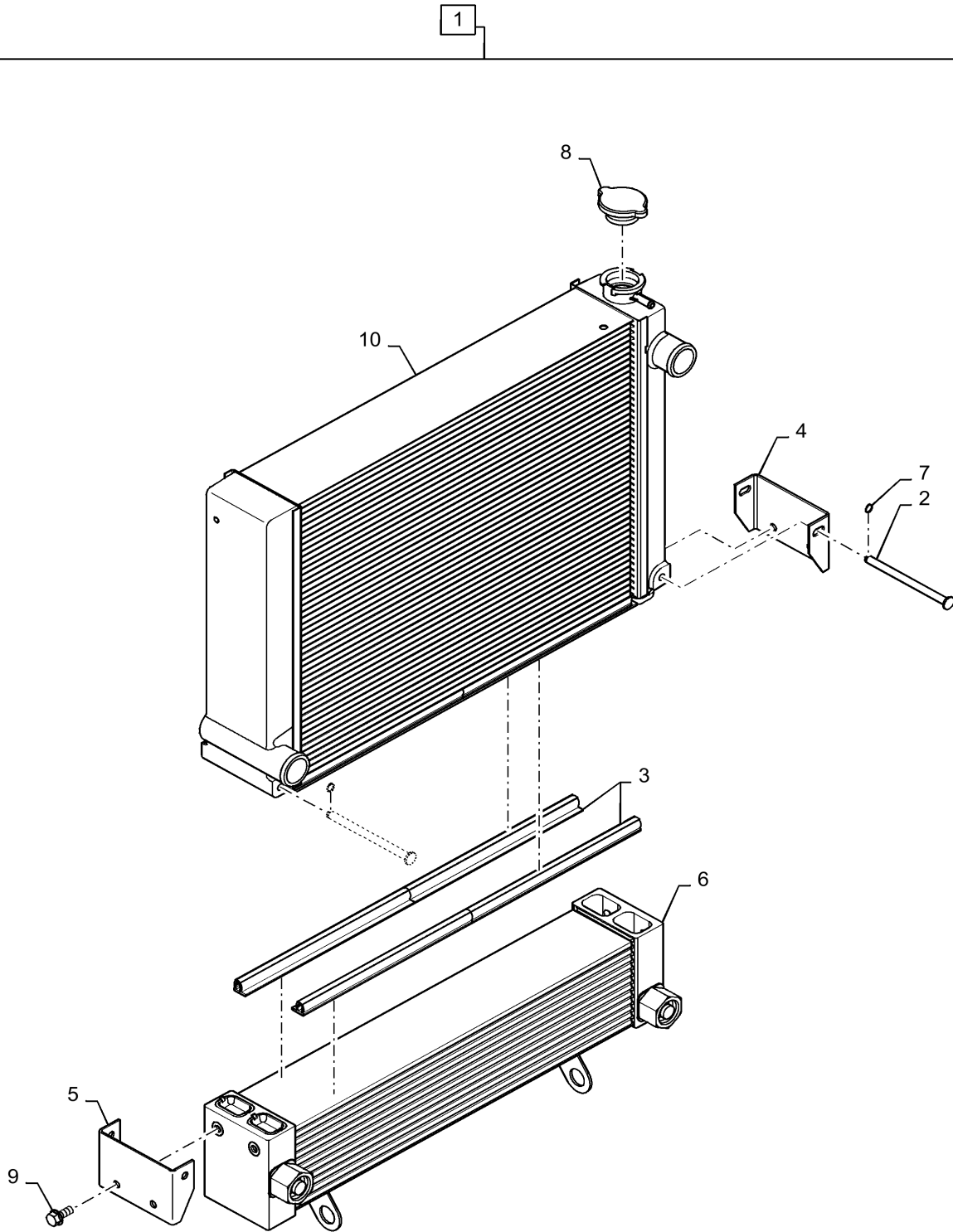
p1

9/2020

THROTTLE INSTALLATION, THROTTLE HAND FOOT E-H OR MECH



RADIATOR & COOLER

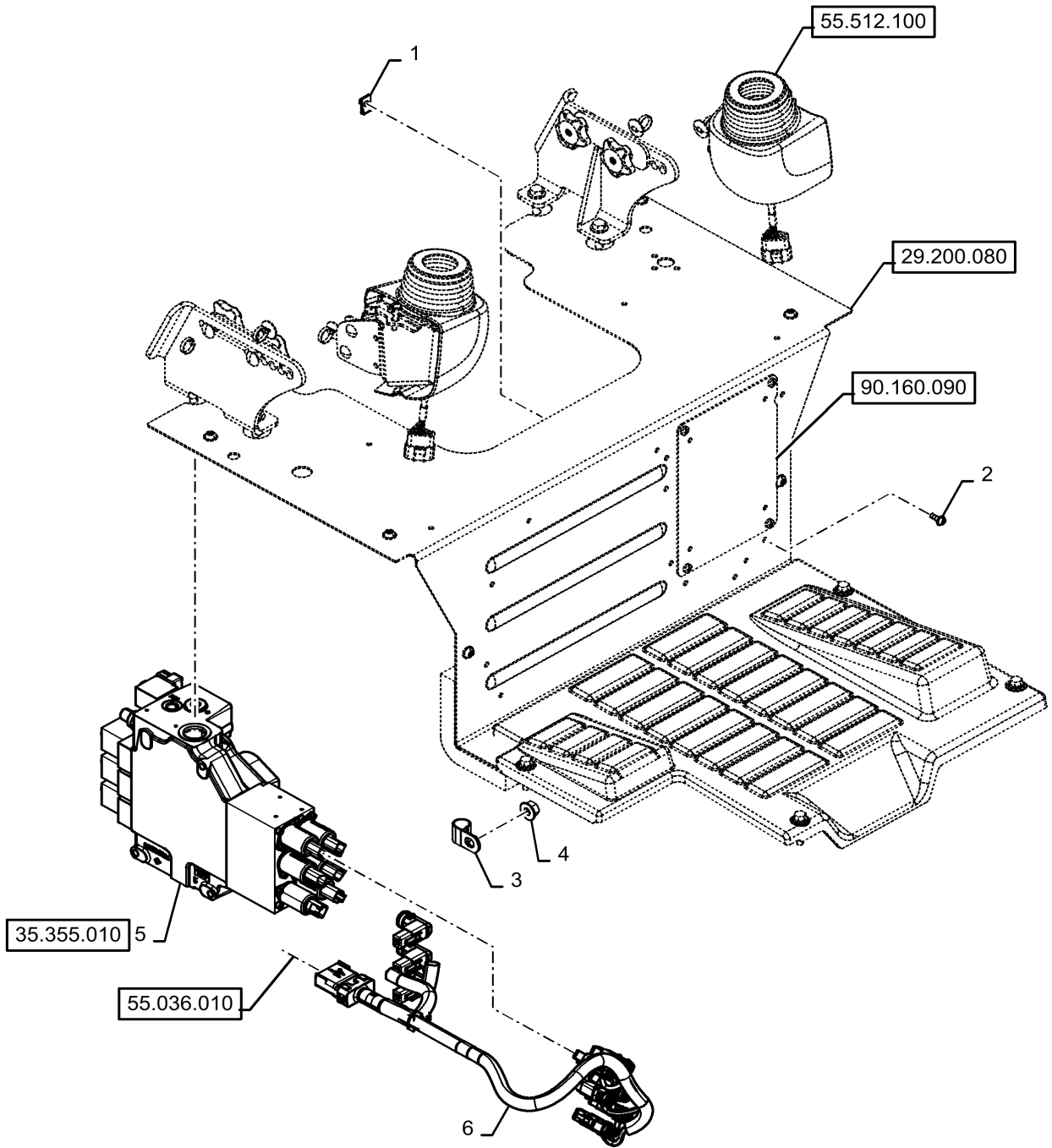


29.100.130

p1

9/2020

ELECTRO-HYDRAULIC CONTROL VALVE HARNESS

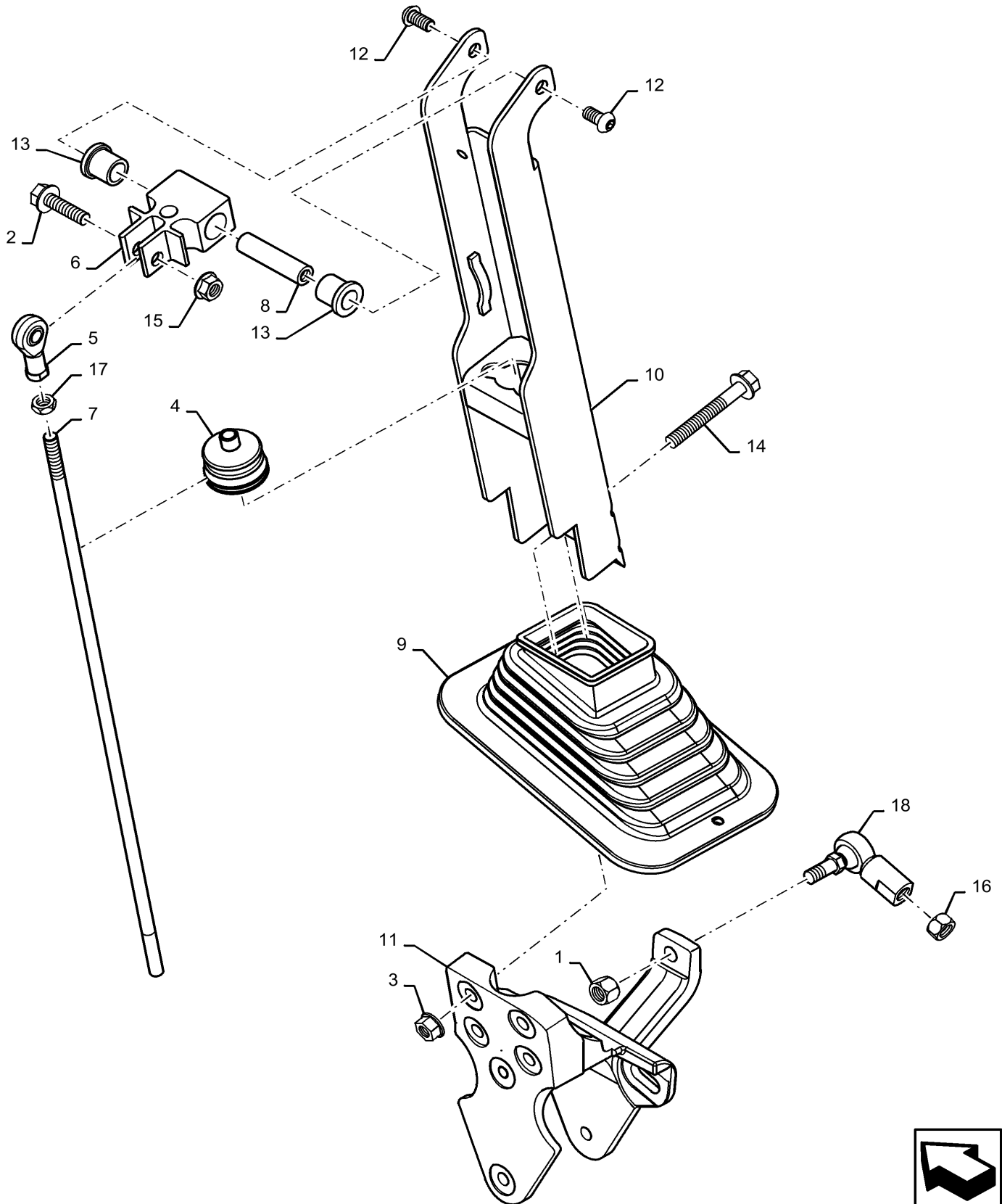


29.200.040

p1

9/2020

LEFT HAND HAND CONTROL

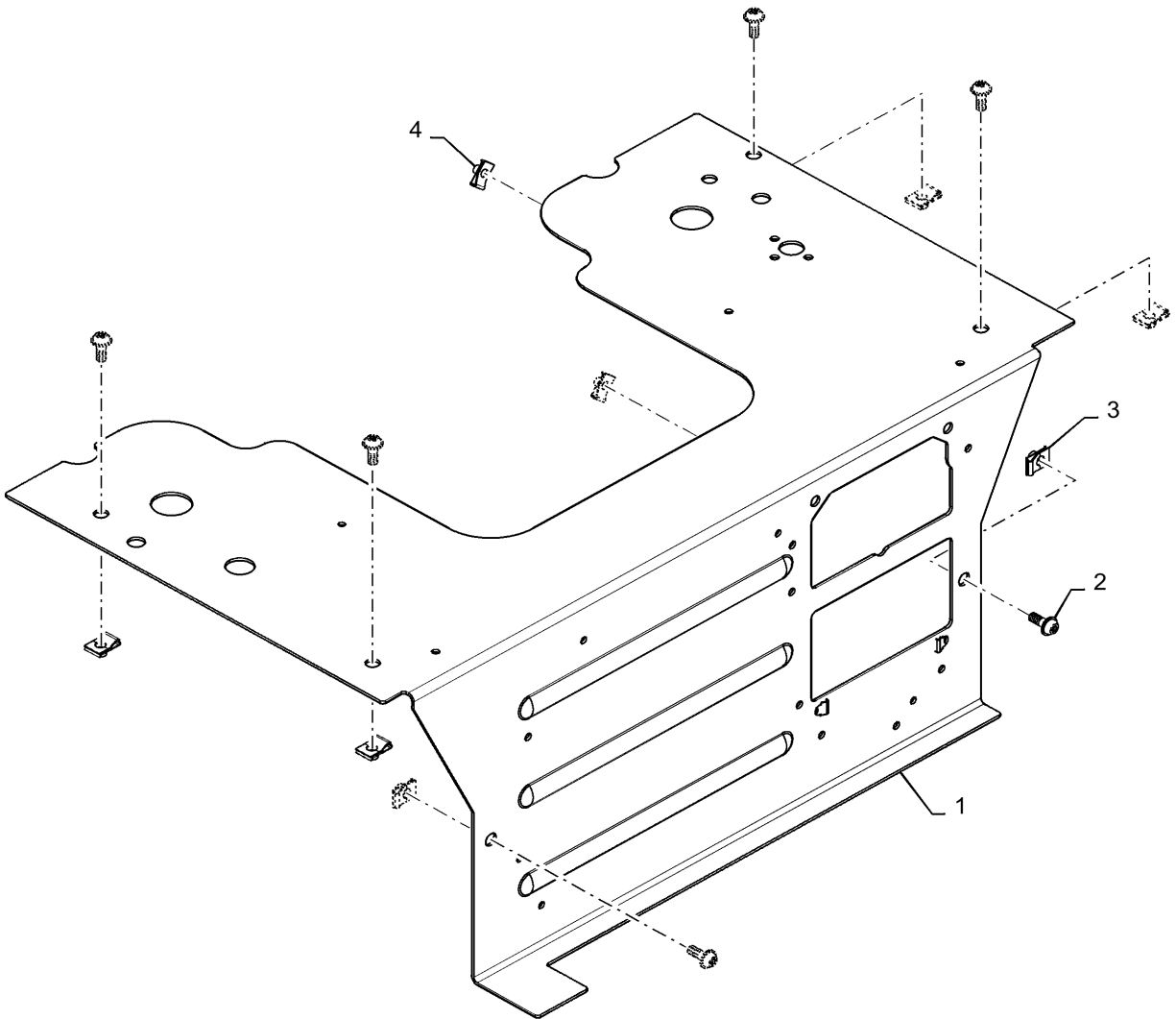


29.200.080

p1

9/2020

HANDLE MOUNTING, ELECTRO-HYDRAULIC



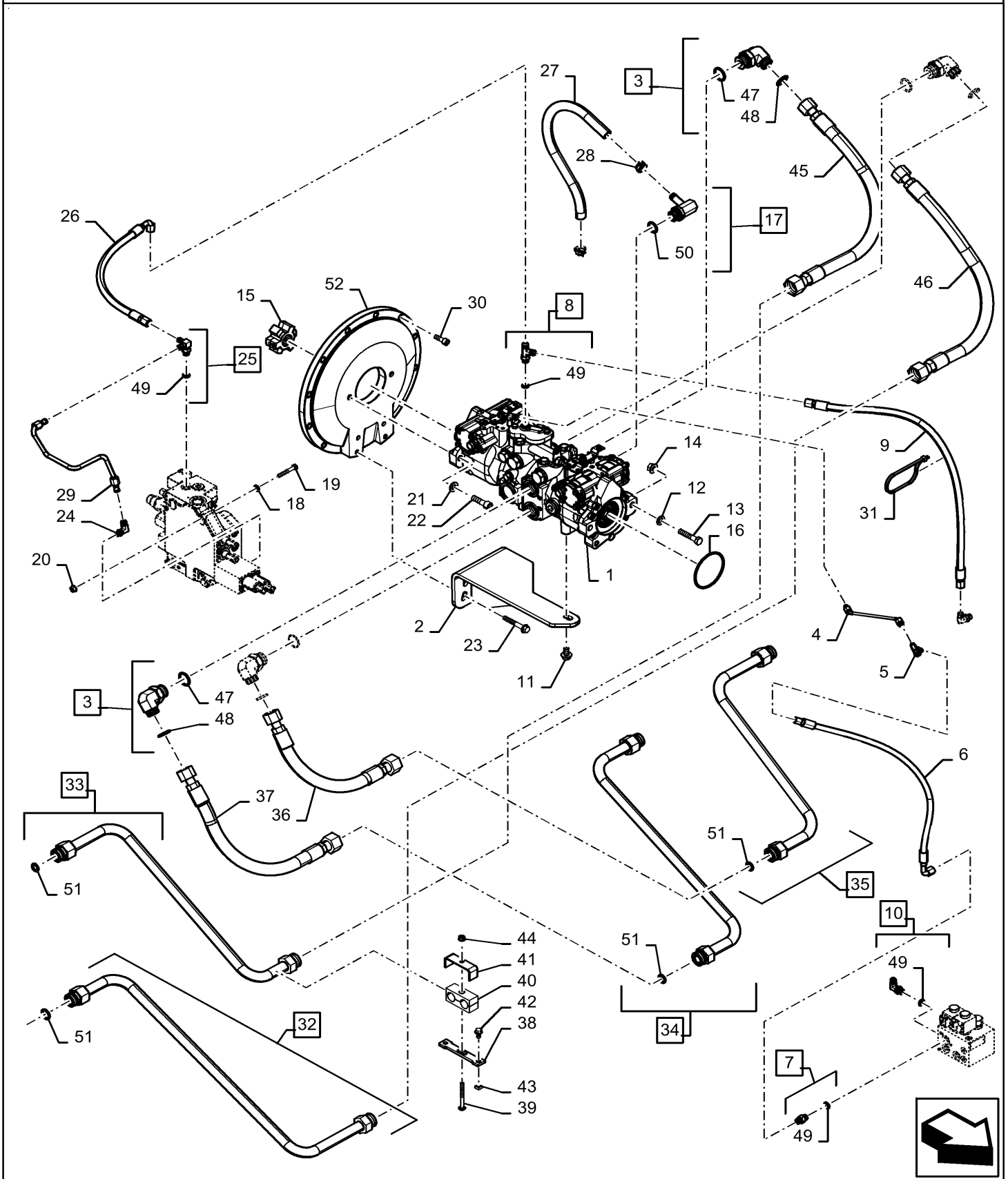
29.204.030

01

p1

9/2020

HYDROSTATIC PUMP DRIVE LINES

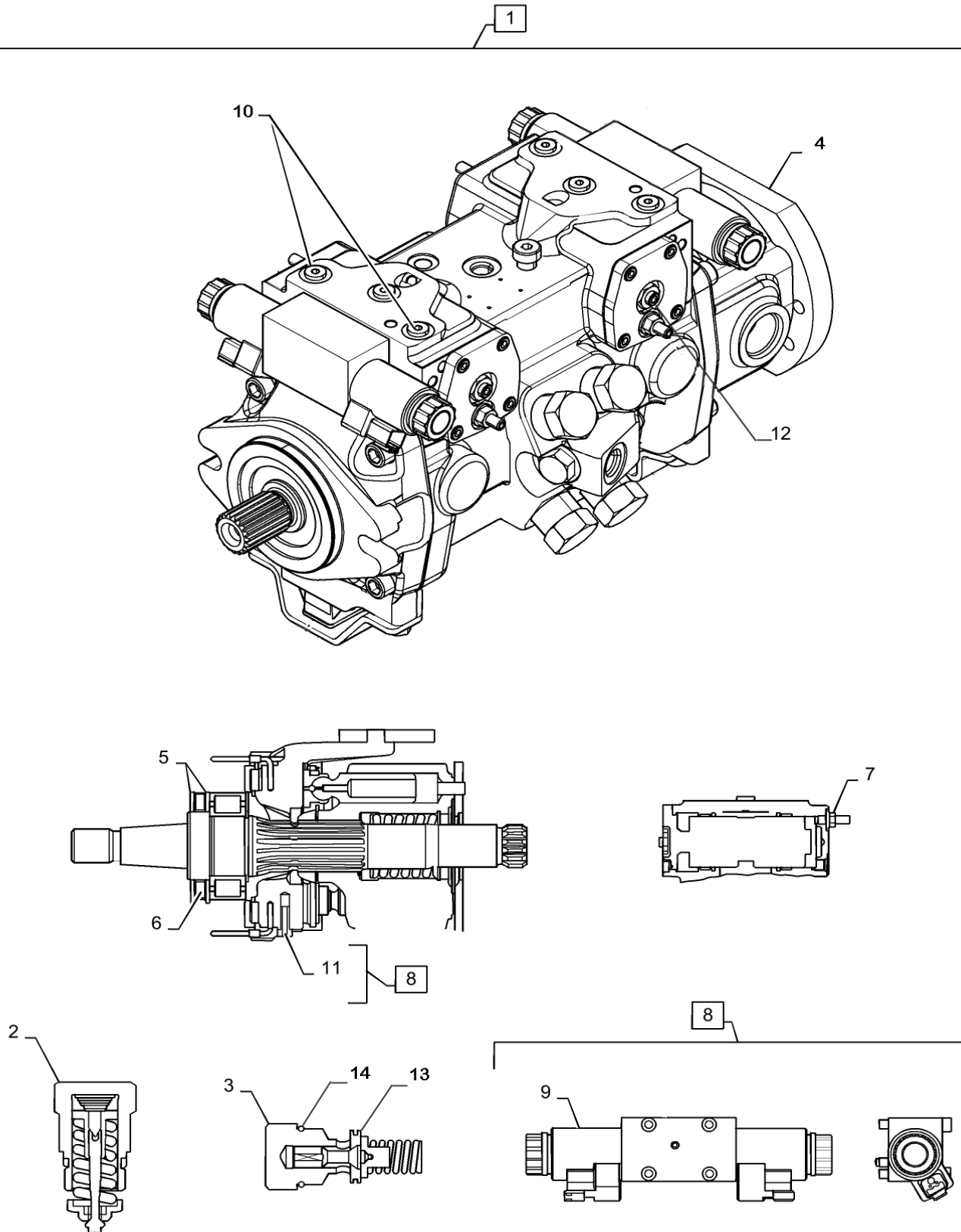


29.218.010

p1

9/2020

HYDROSTATIC PUMP



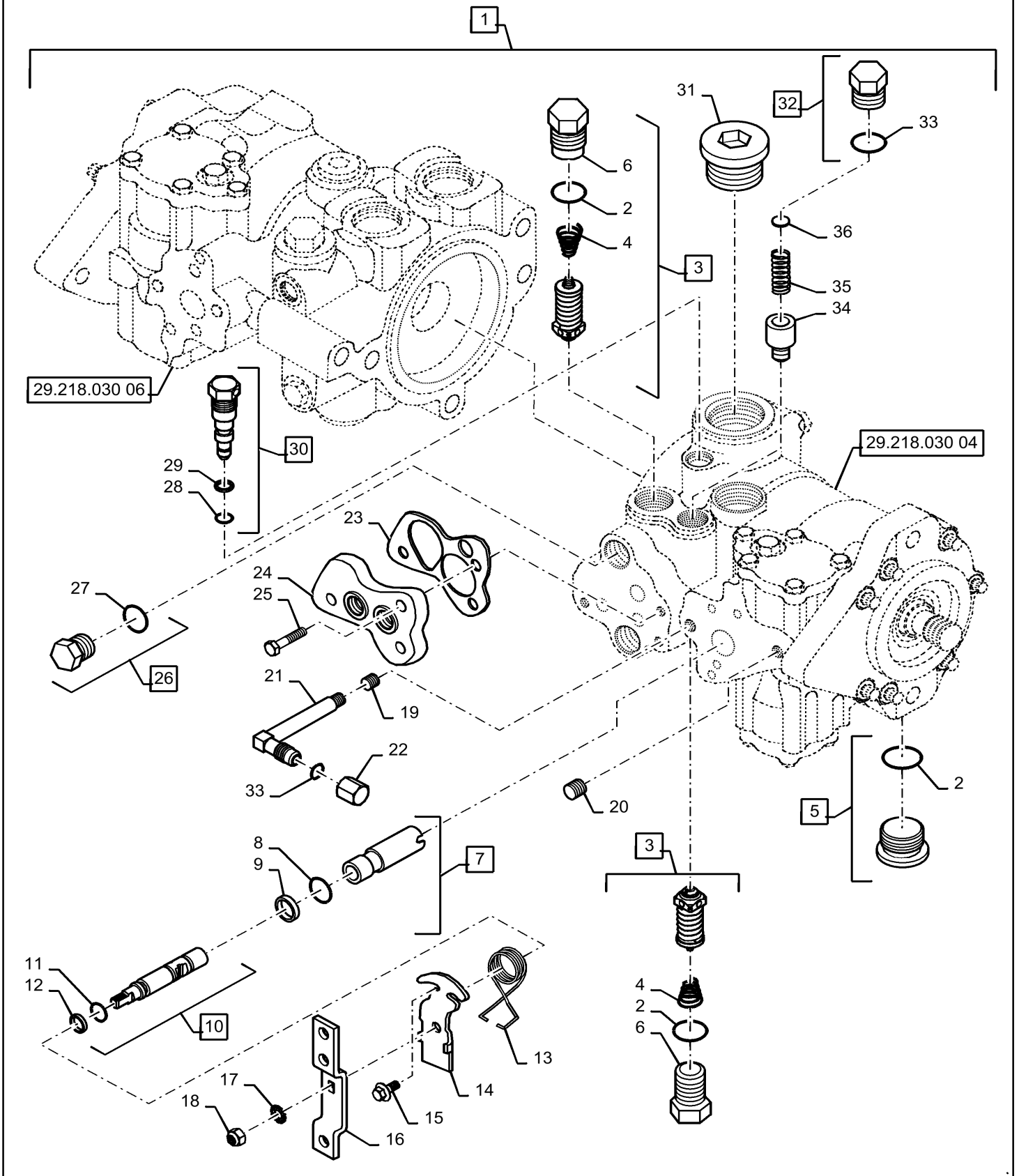
29.218.030

03

p2

9/2020

HYDROSTATIC PUMP



29.218.030

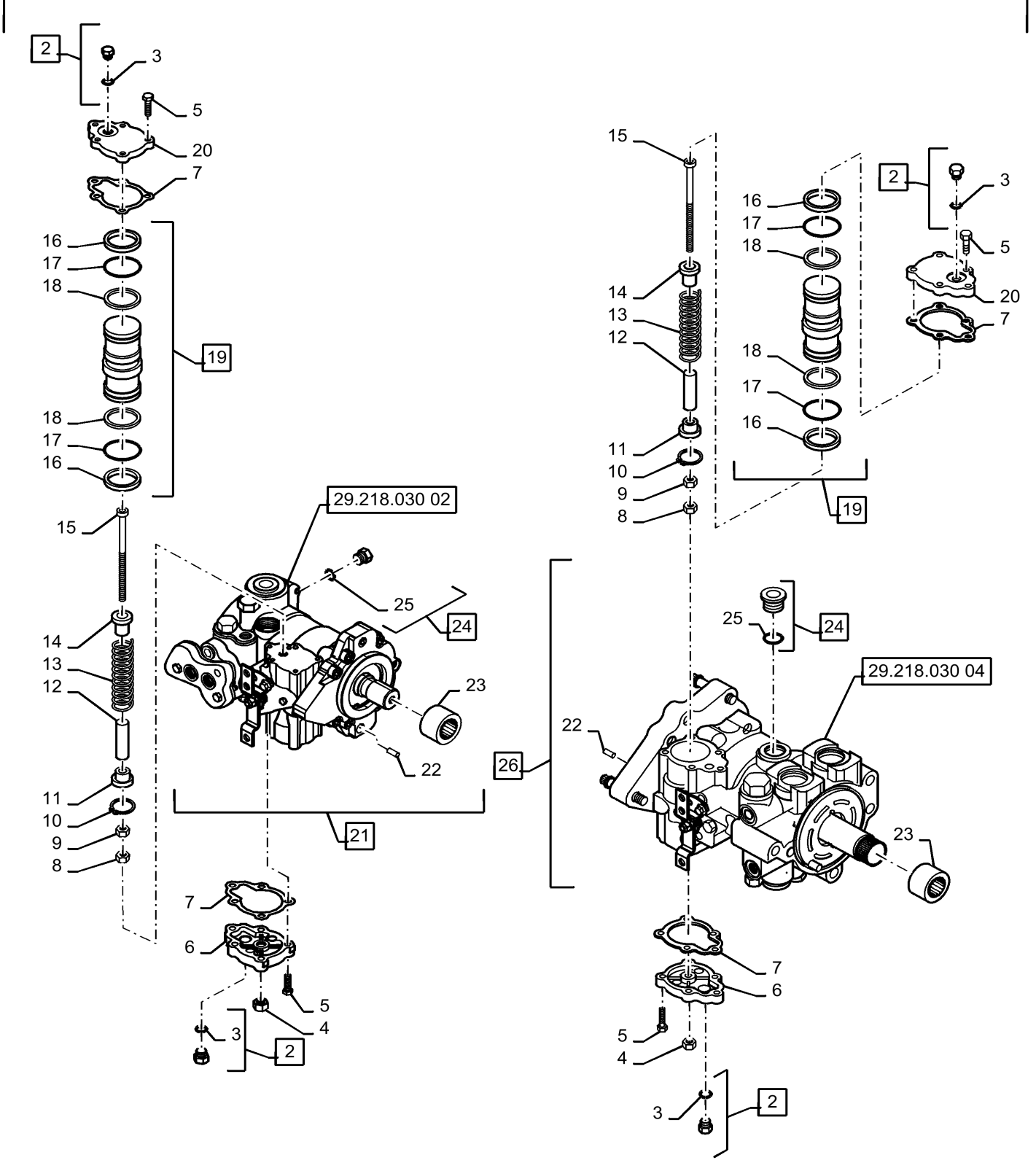
06

p1

9/2020

HYDROSTATIC PUMP

1

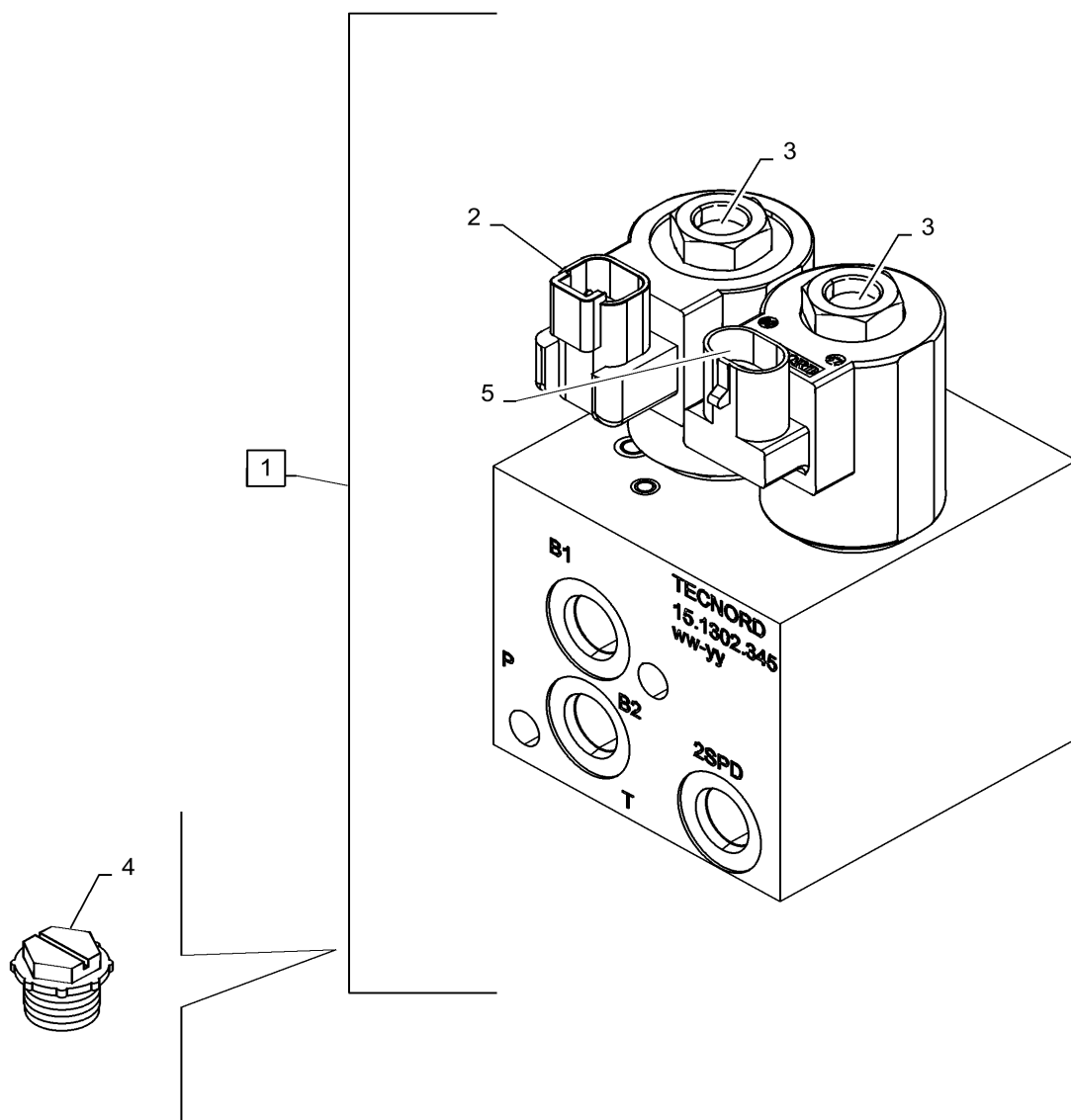


33.202.020

p1

9/2020

MECH TRACK BRAKE VALVE

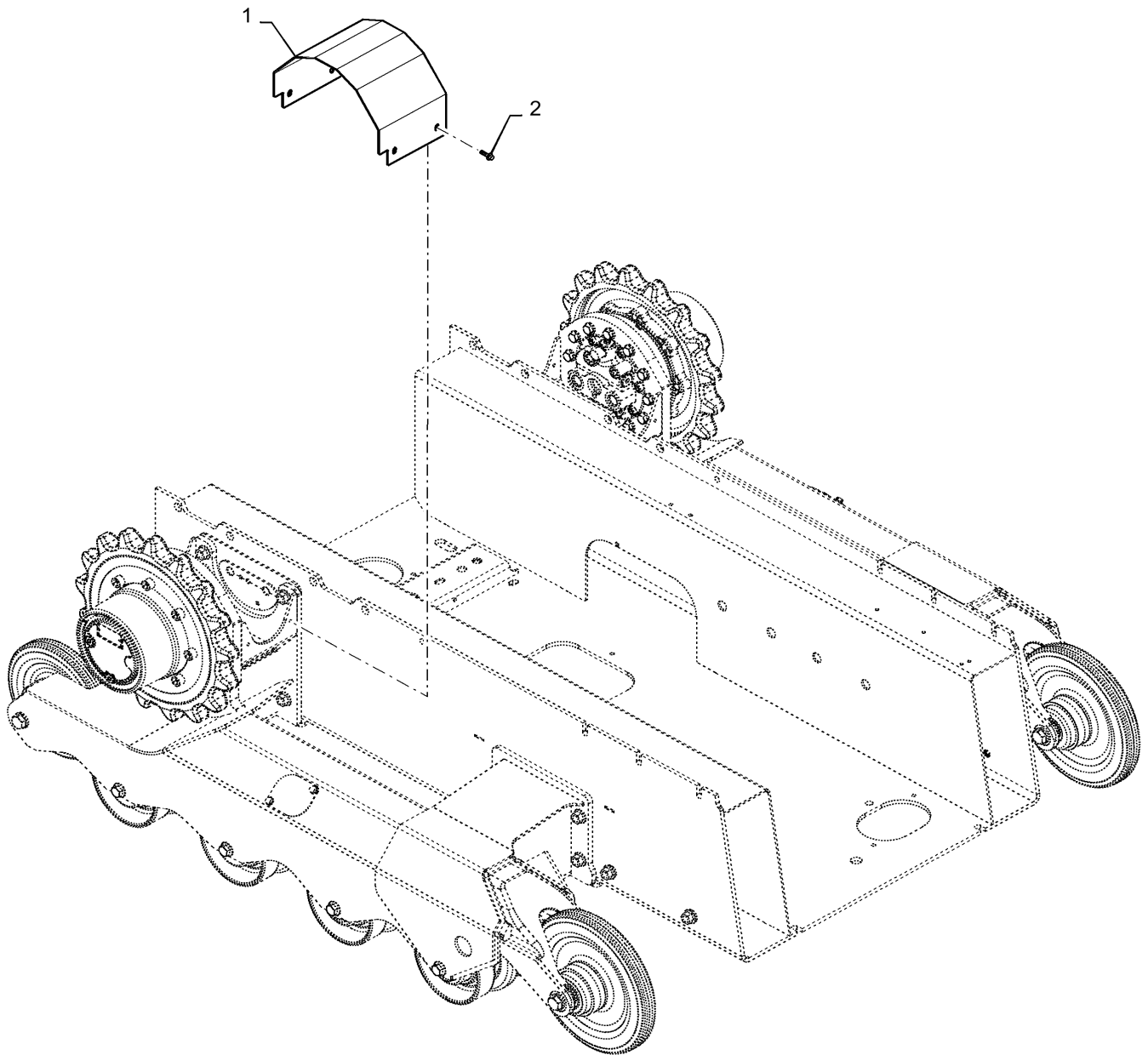


35.100.030

p1

9/2020

TRACK MOTOR PLUMBING COVER

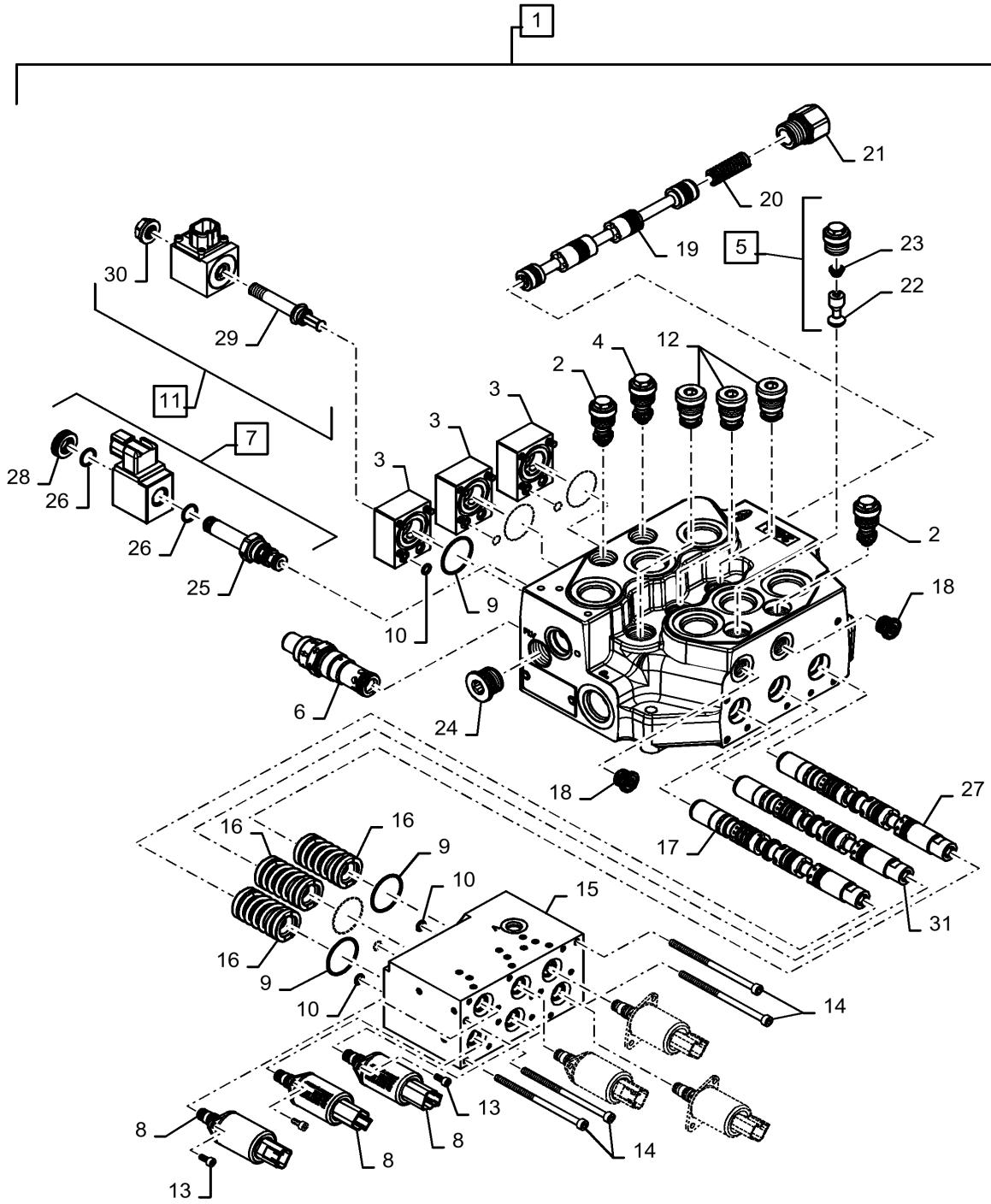


35.355.010

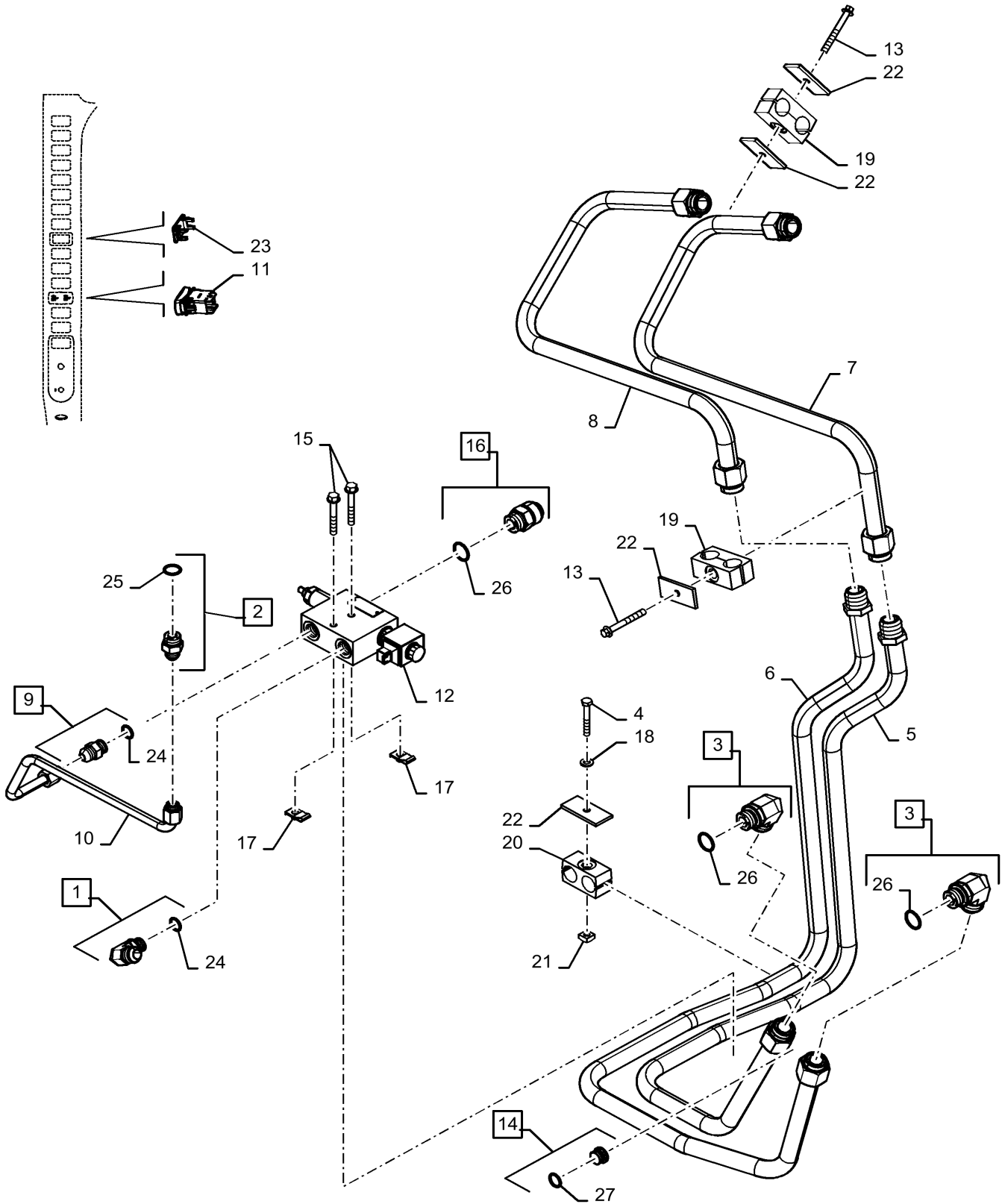
p1

9/2020

VALVE, ELECTRO-HYDRAULIC CONTROL WITH HARNESS



HIGH FLOW AUXILIARY CHASSIS PLUMBING

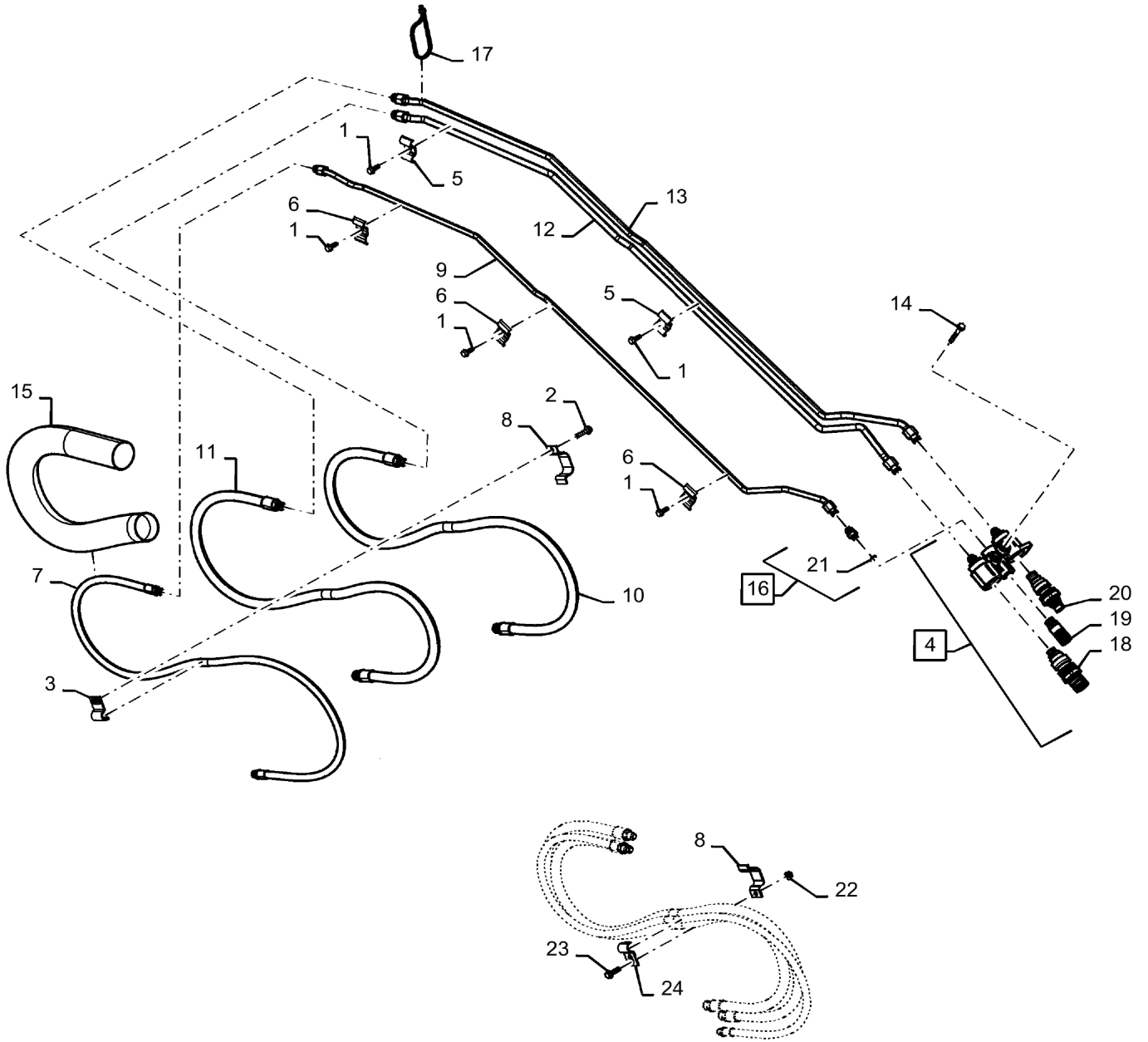


35.525.020

p2

9/2020

STANDARD , AUXILIARY, C.U.P. ARM, PLUMBING

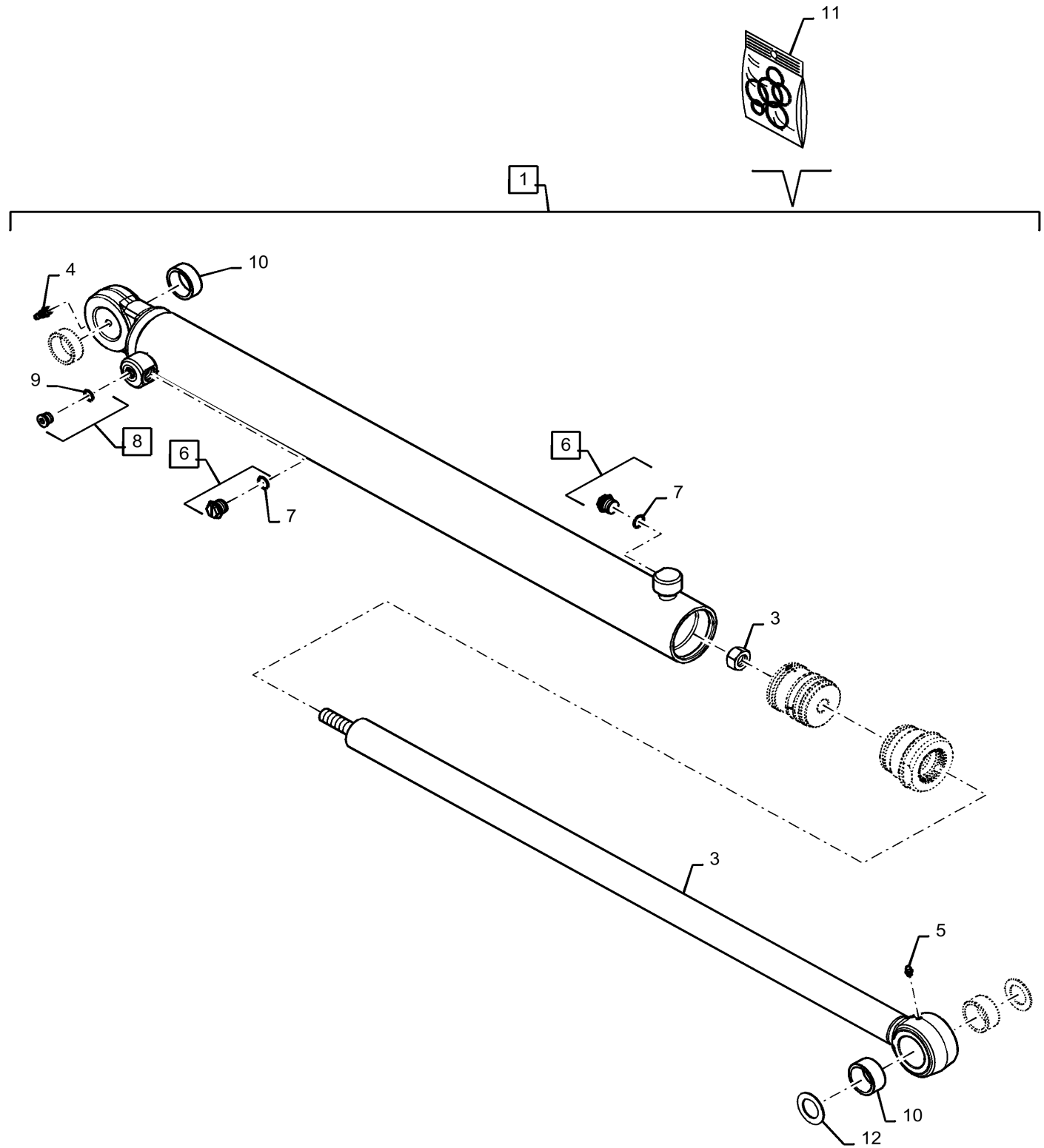


35.701.010

p1

9/2020

RH HYDRAULIC CYLINDER

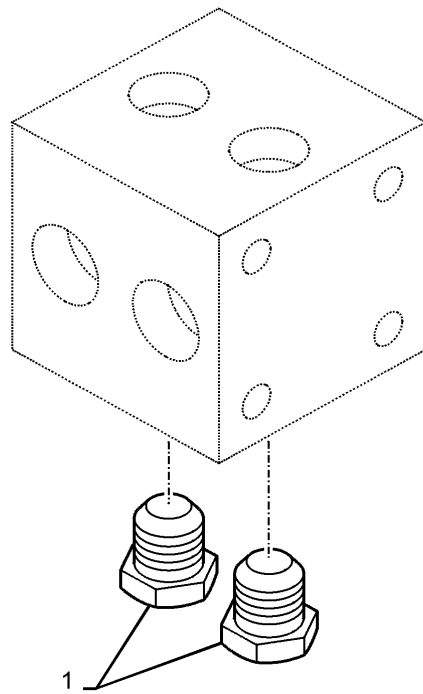


35.701.060

p1

9/2020

NO RIDE CONTROL

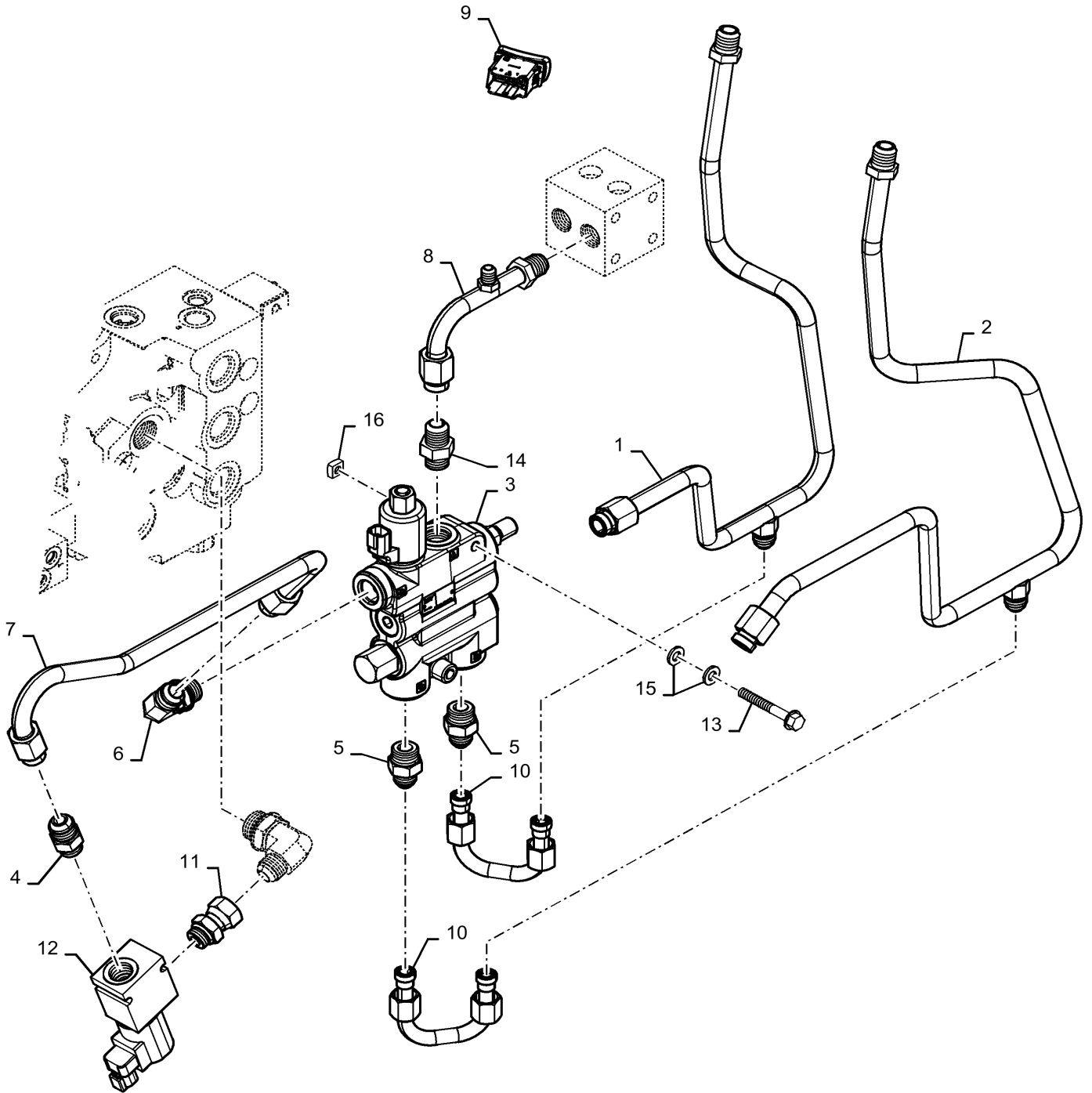


35.724.020

p1

9/2020

SELF-LEVELING, MECHANICAL

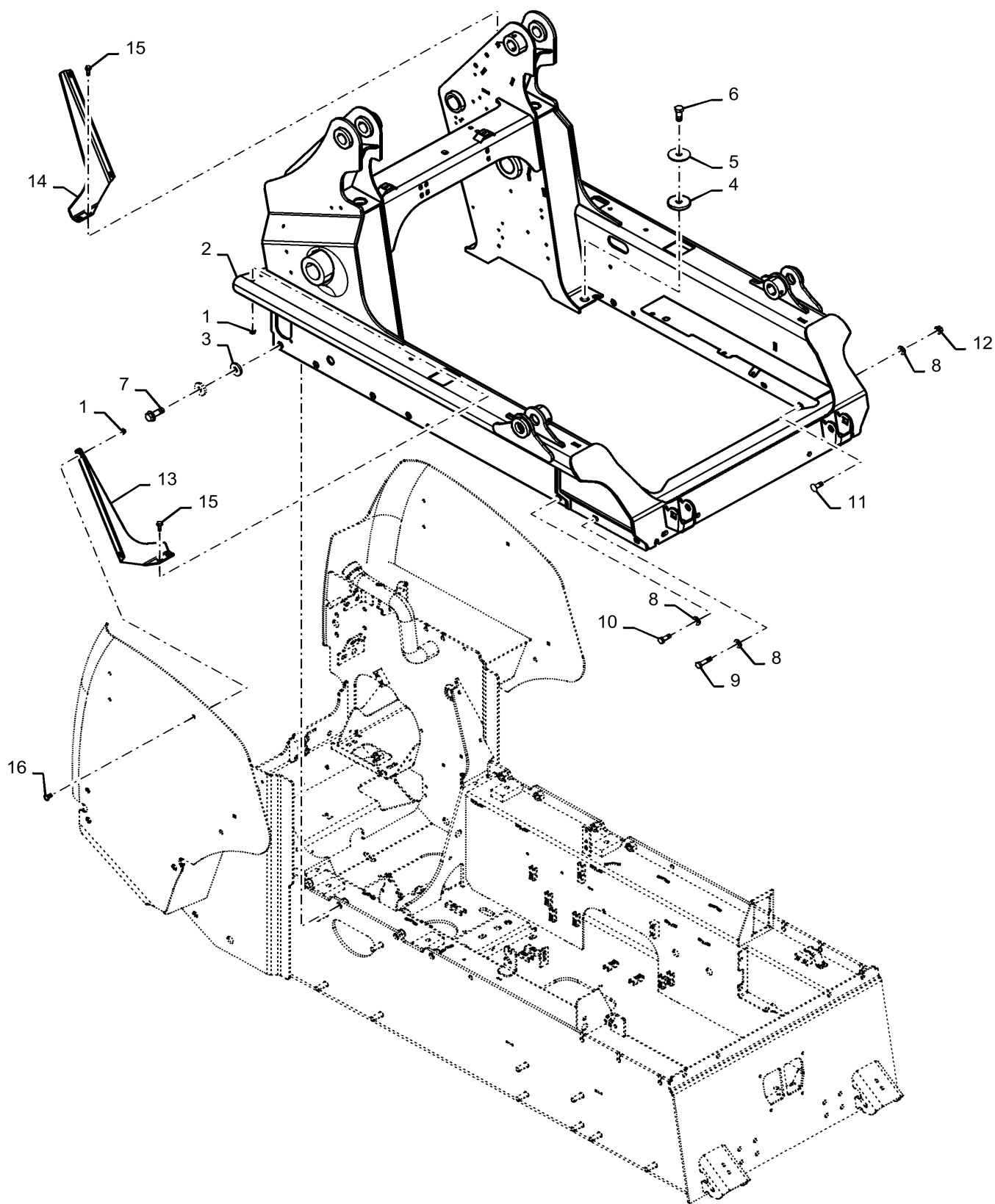


39.100.030

p1

9/2020

FRAME

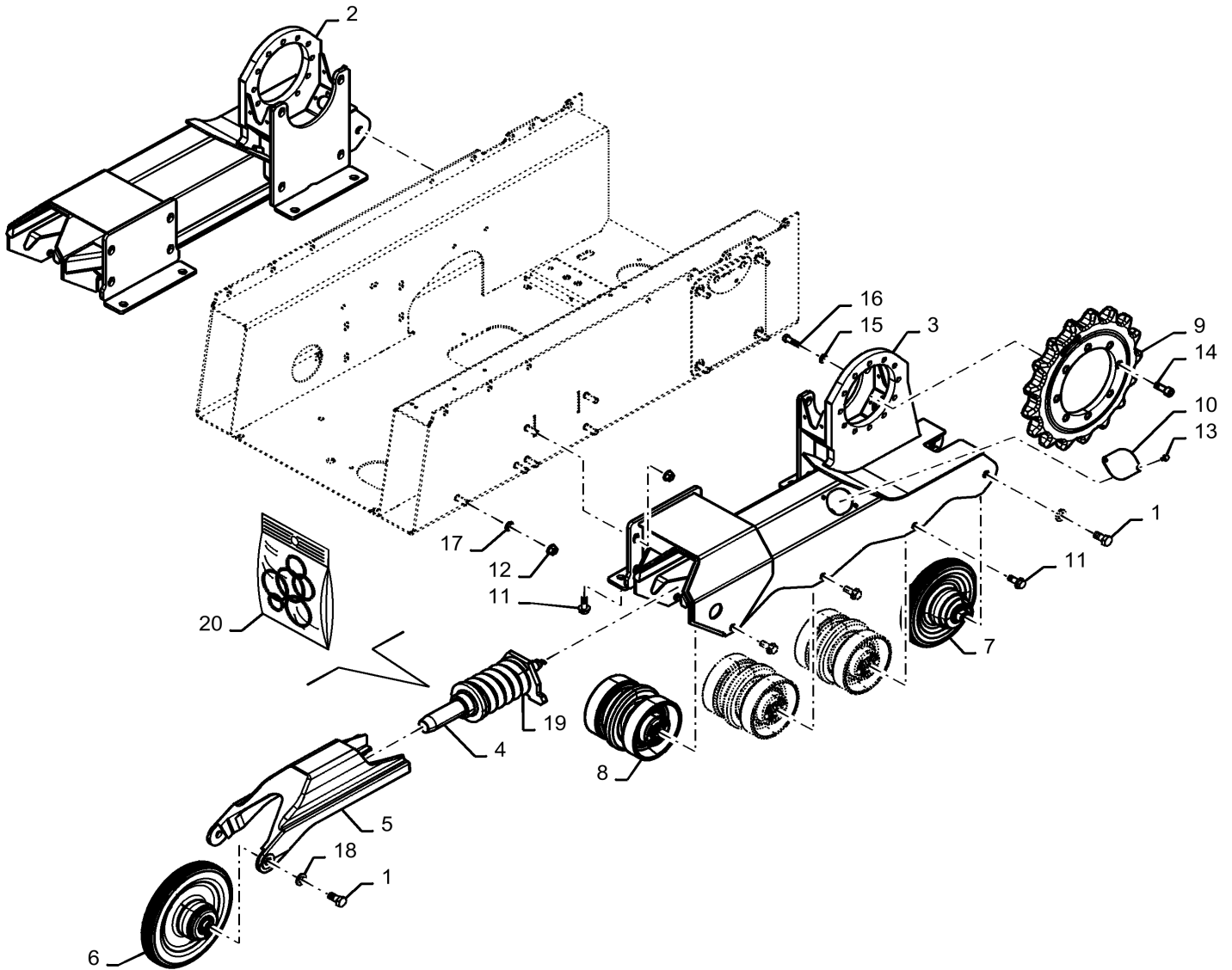


48.138.010

p1

9/2020

TRACK ASSY, UNDERCARRIAGE

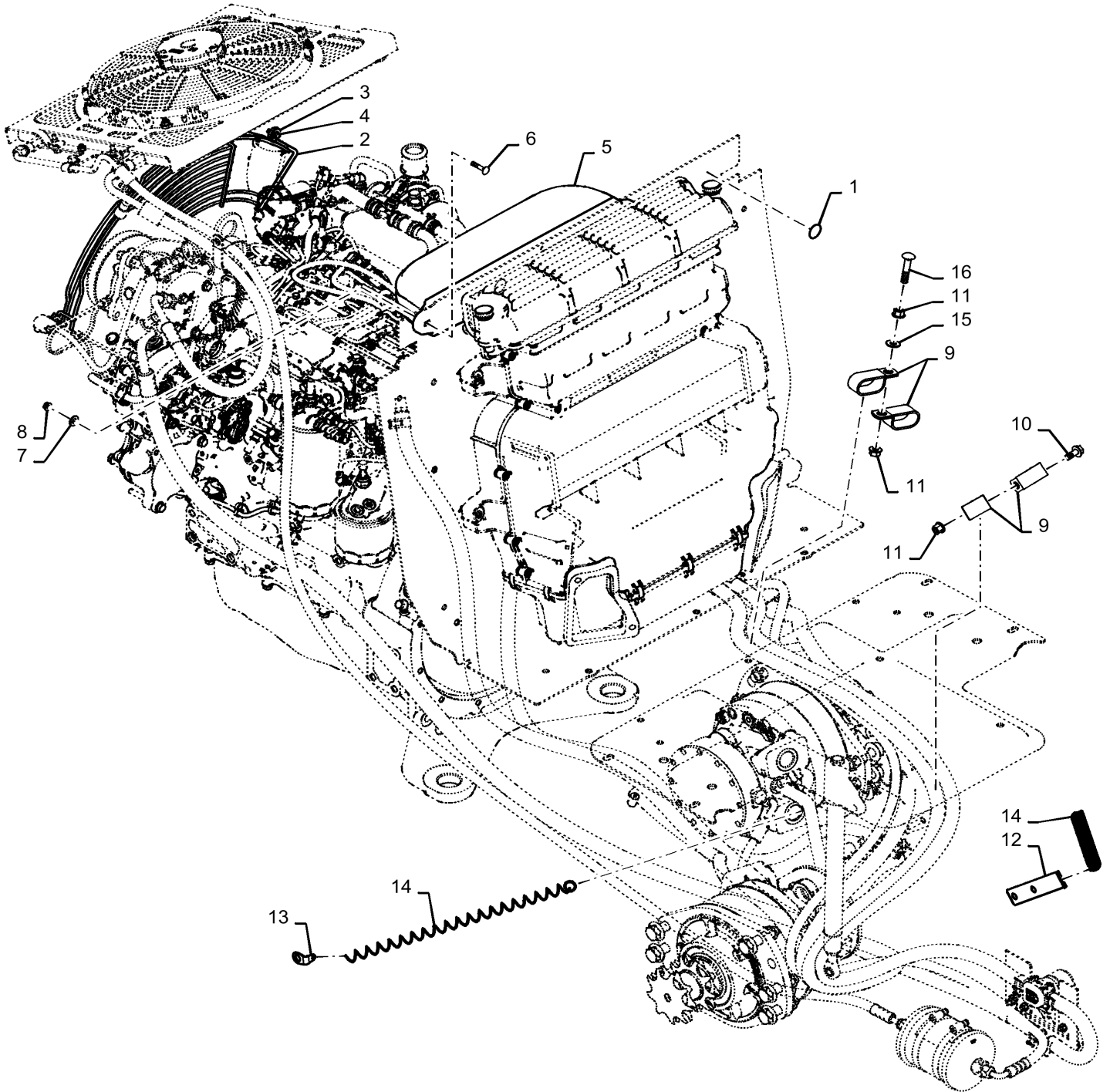


50.100.030

p1

9/2020

HEATER, BOX

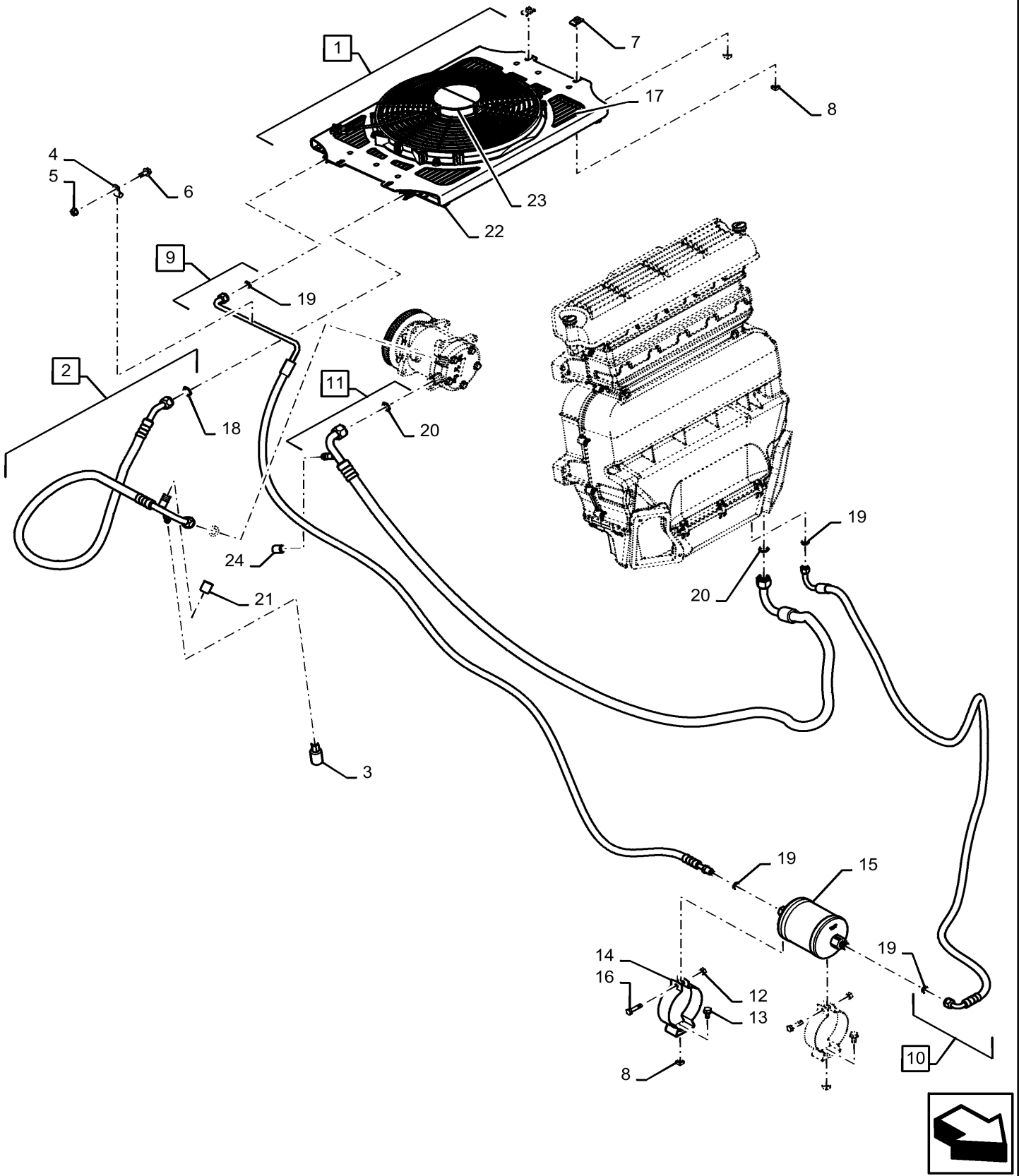


50.200.010

p1

9/2020

PLUMBING, AIR CONDITIONING

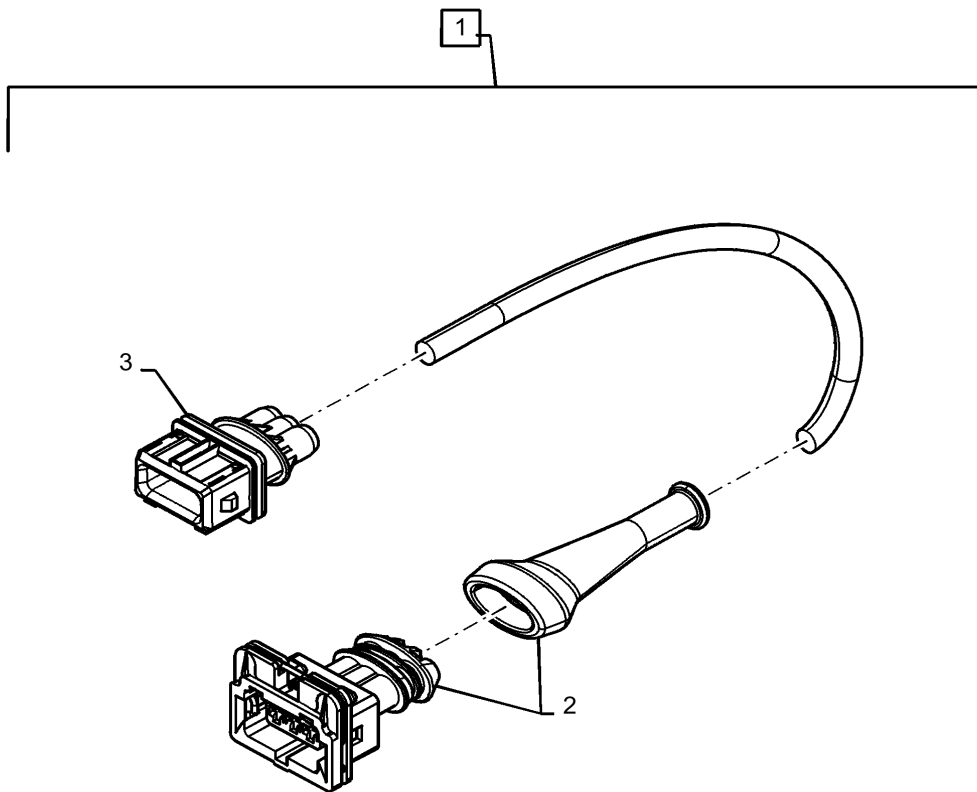


55.010.010

p1

9/2020

FUEL FILTER/WATER SEPARATOR WIF JUMPER

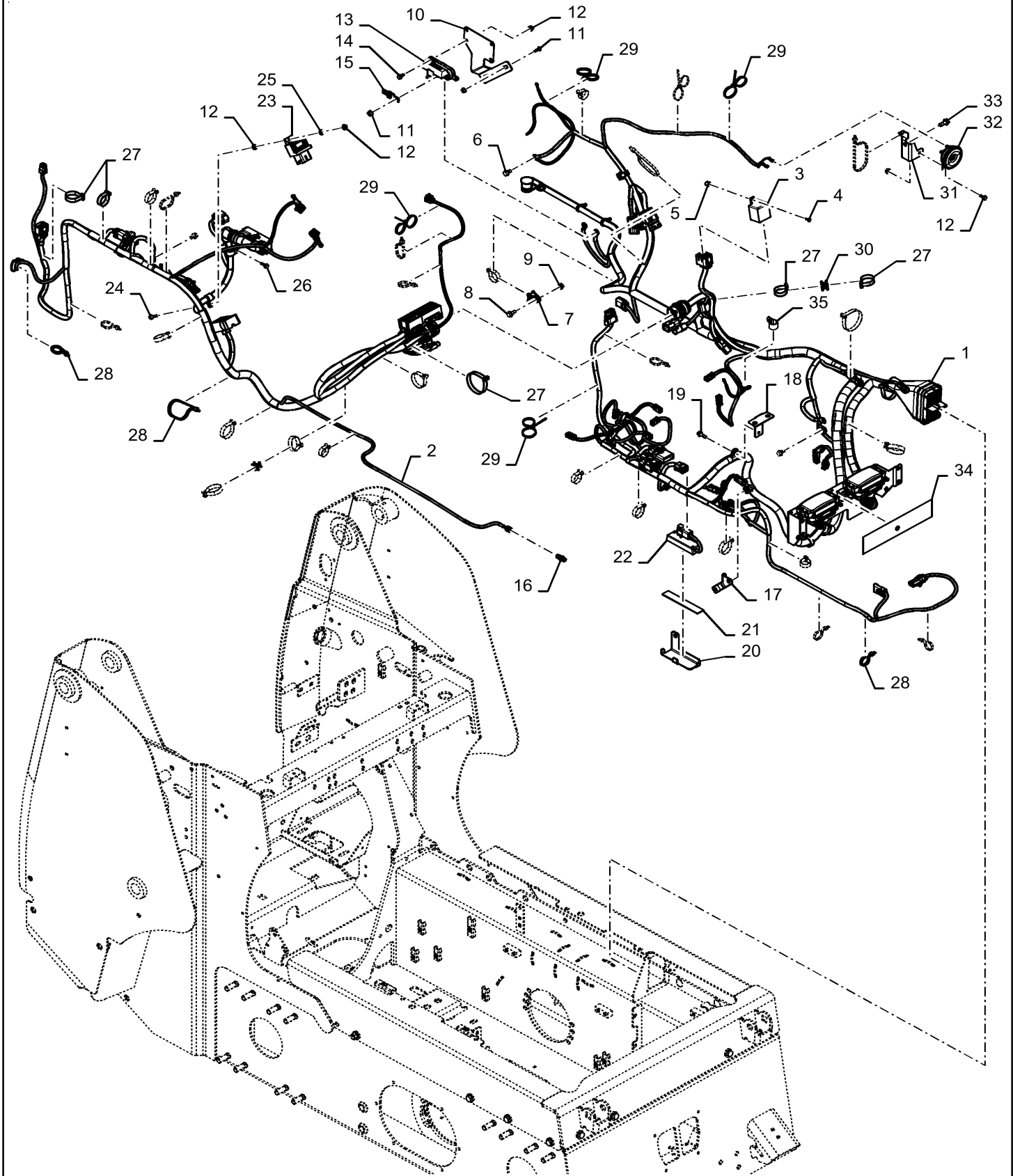


55.101.010

p1

9/2020

CHASSIS, ELECTRICAL



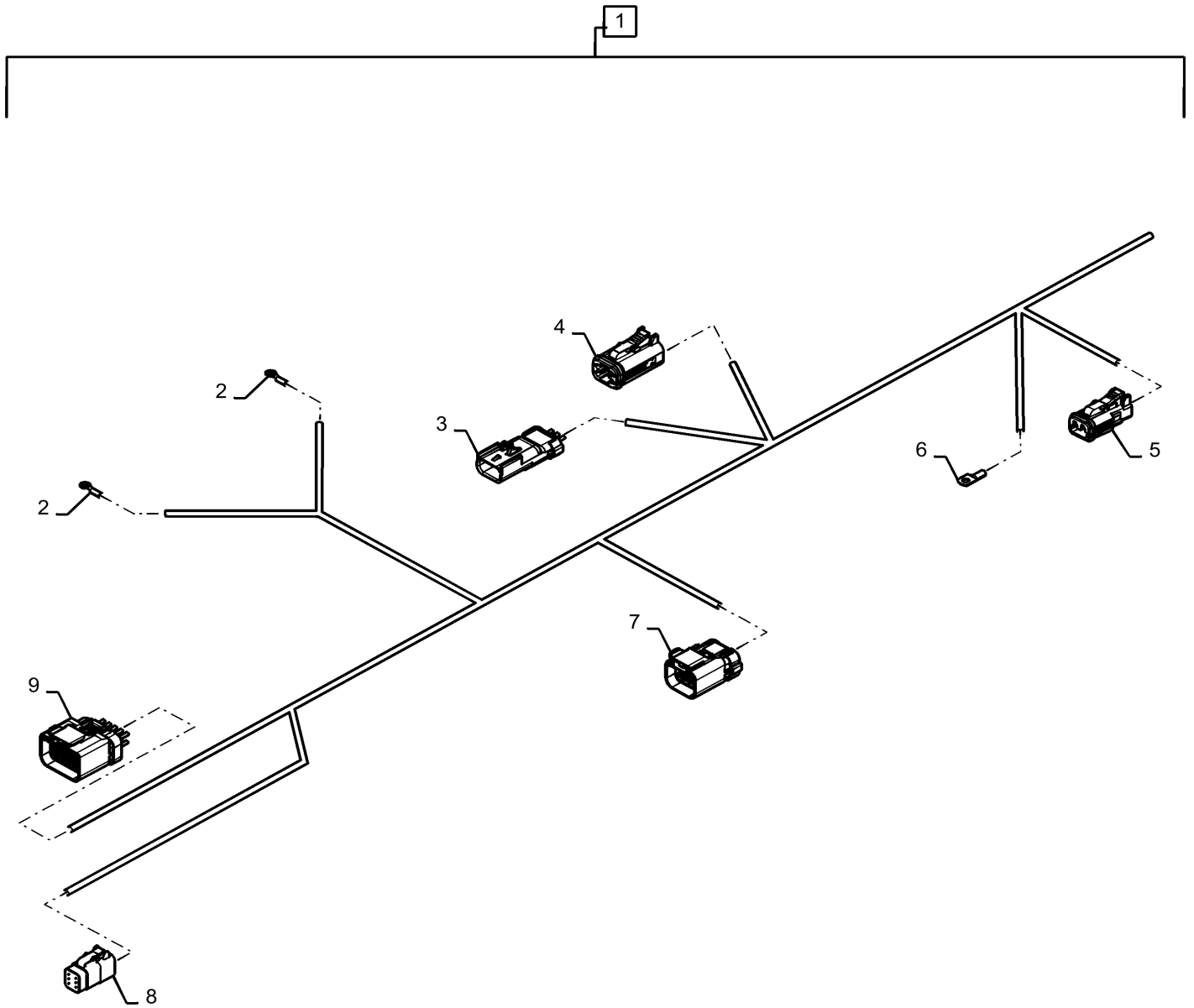
55.101.030

01

p1

9/2020

CONNECTOR, WIRE HARNESS RH TOWER



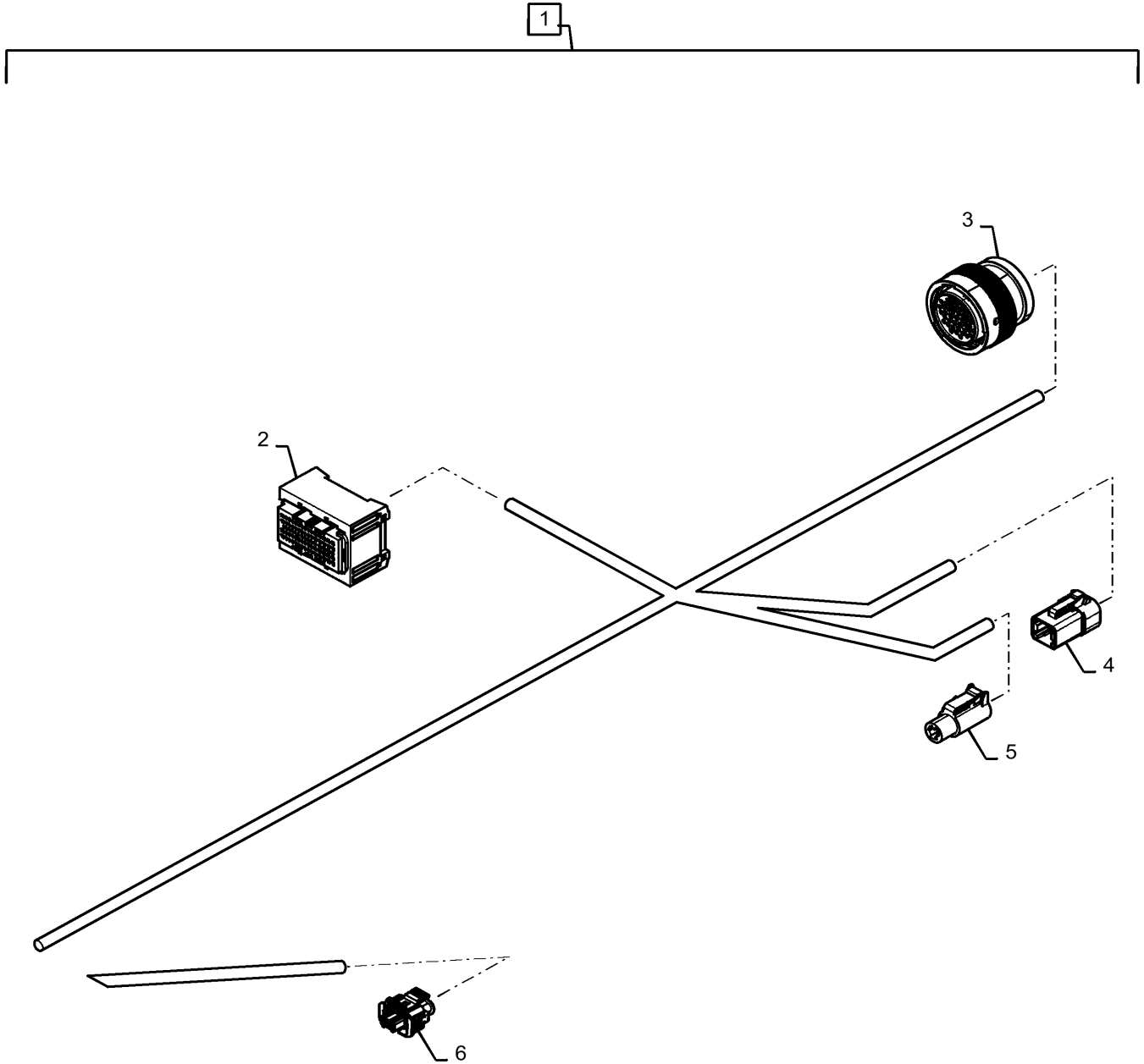
55.101.030

03

p1

9/2020

CONNECTOR, WIRE HARNESS RH TOWER



55.101.050

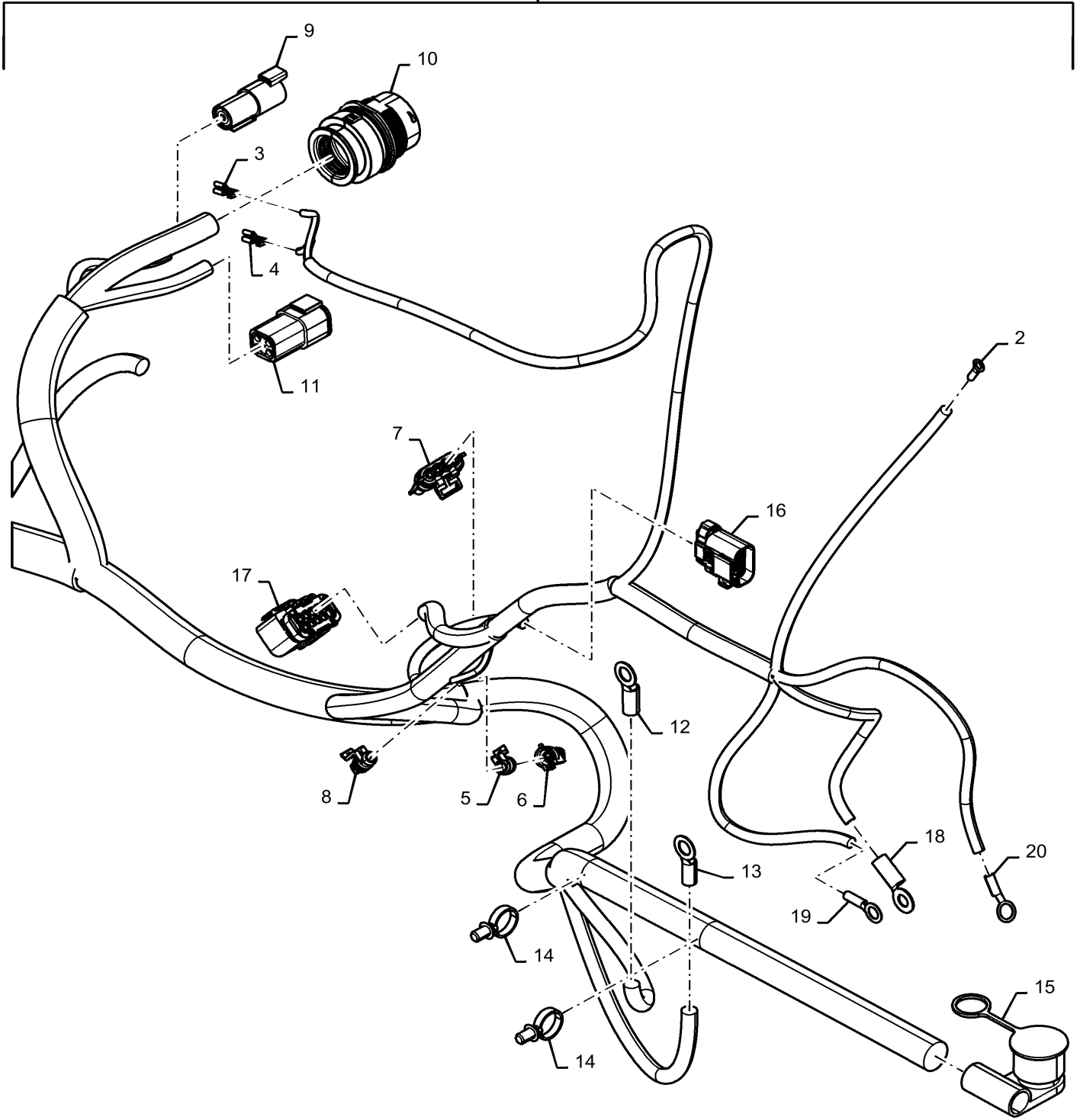
01

p3

9/2020

CONNECTOR, WIRE HARNESS CHASSIS

1



55.101.050

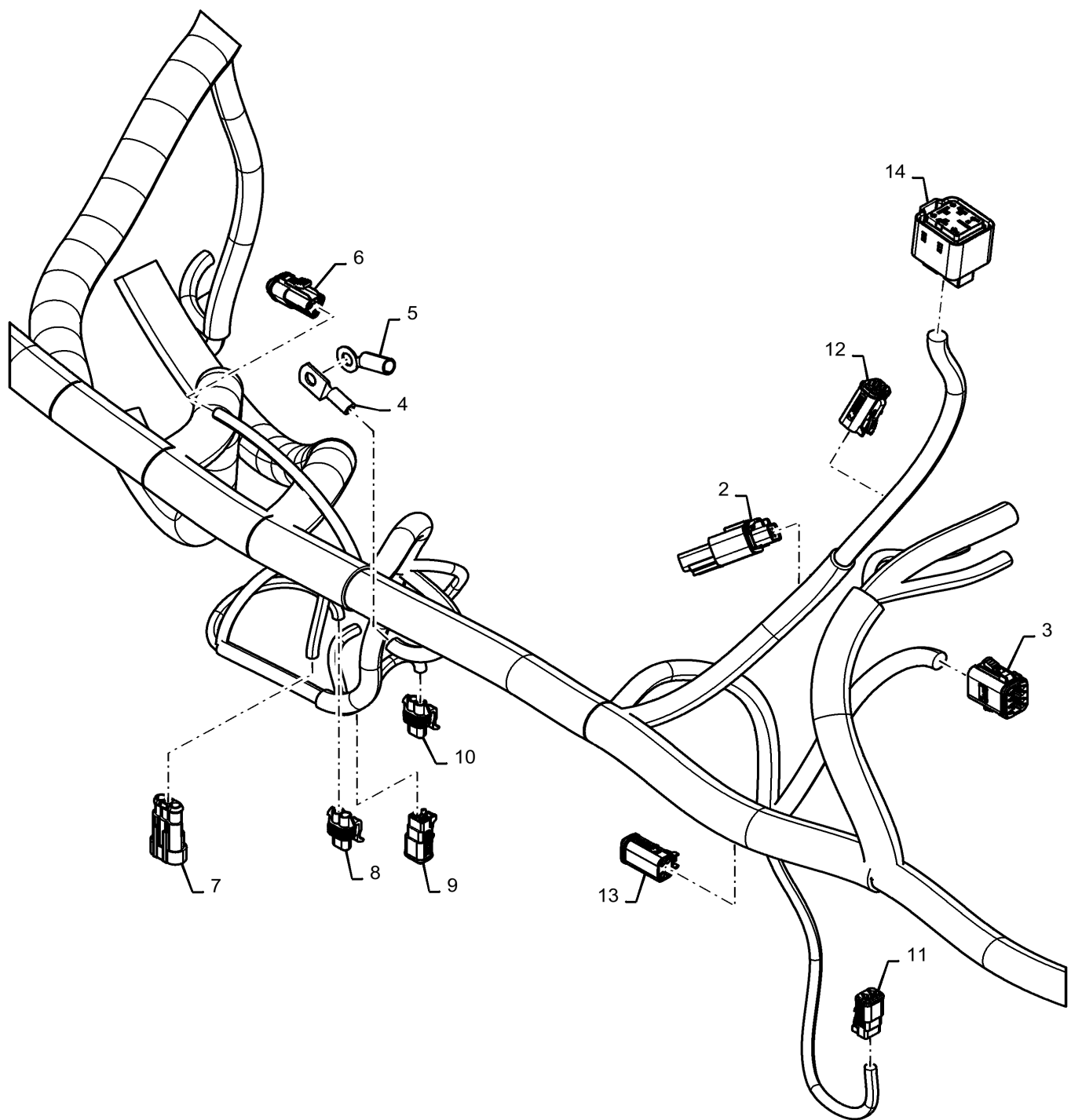
02

p3

9/2020

CONNECTOR, WIRE HARNESS CHASSIS

1



55.101.050

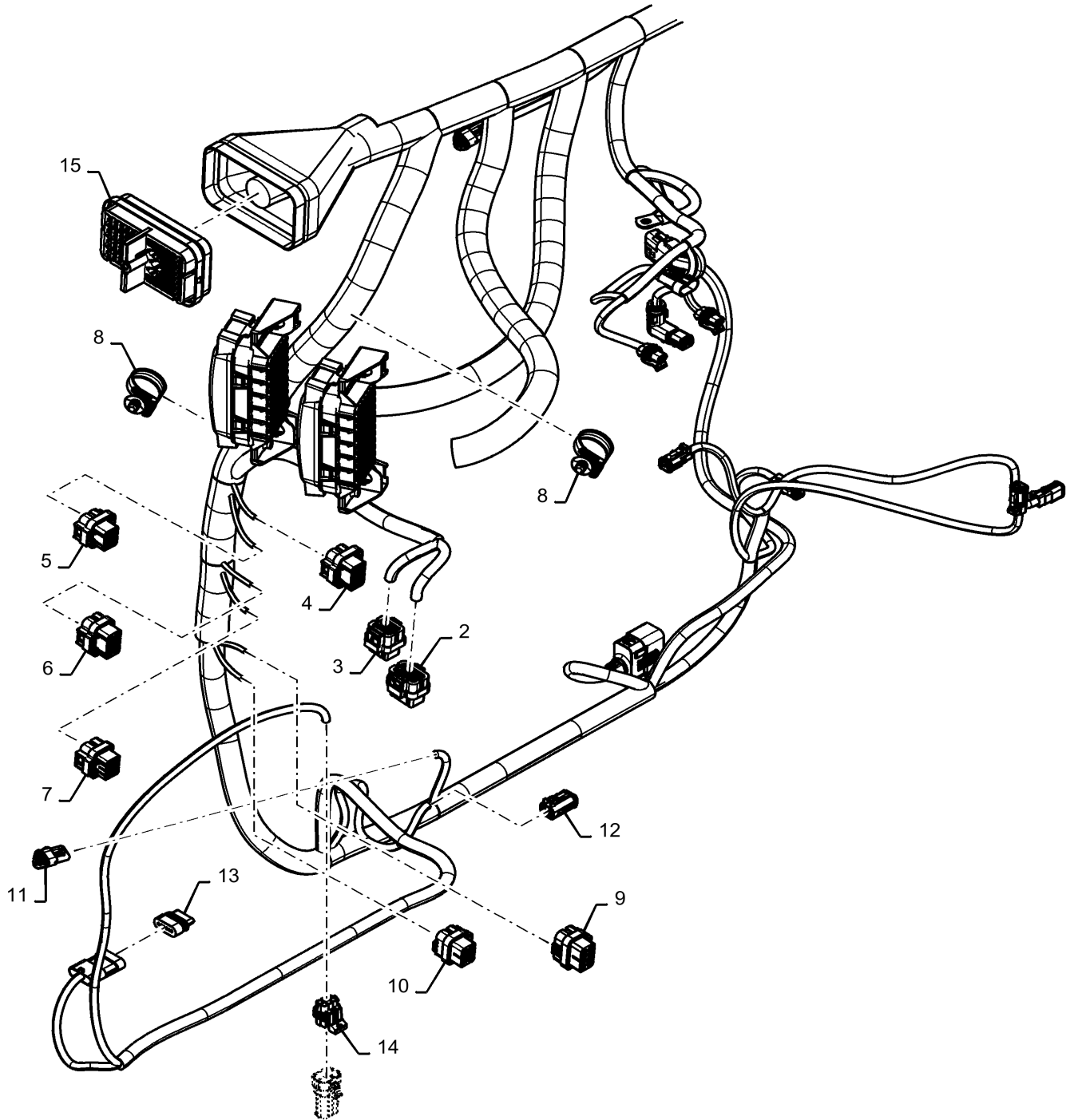
04

p3

9/2020

CONNECTOR, WIRE HARNESS CHASSIS

1

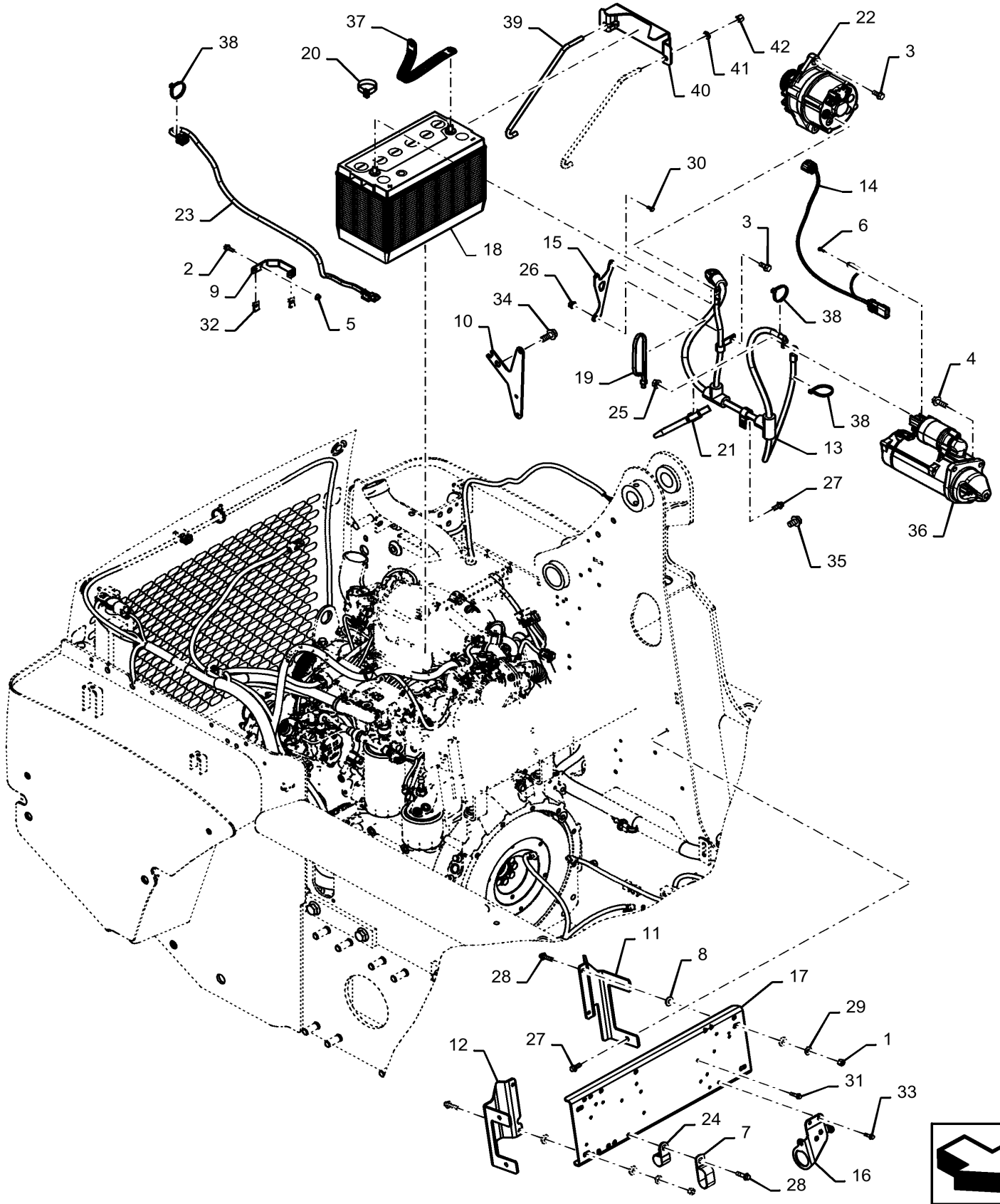


55.302.010

p2

9/2020

ENGINE ELECTRICAL

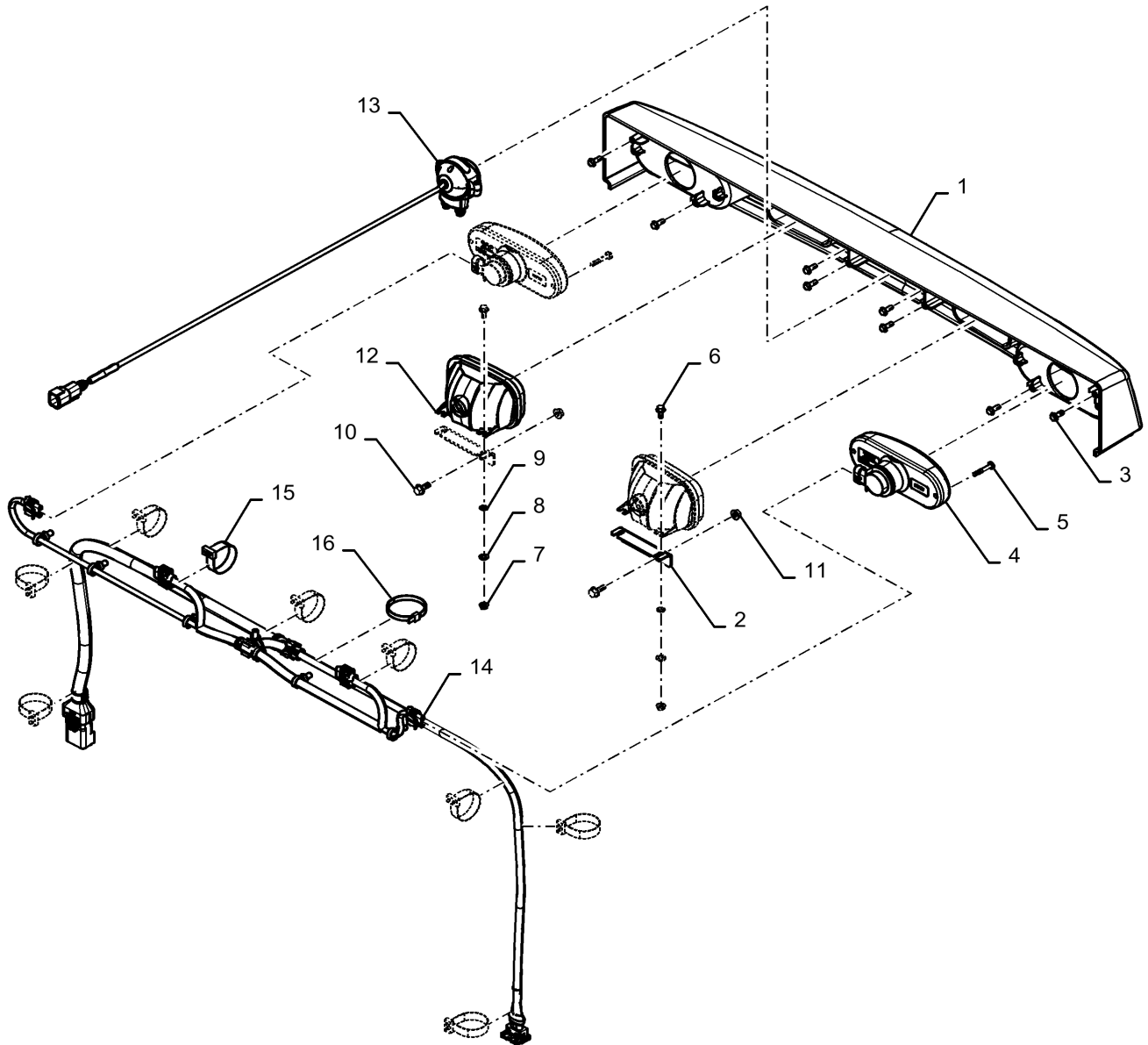


55.404.050

p1

9/2020

LIGHT BAR, WITH CAMERA



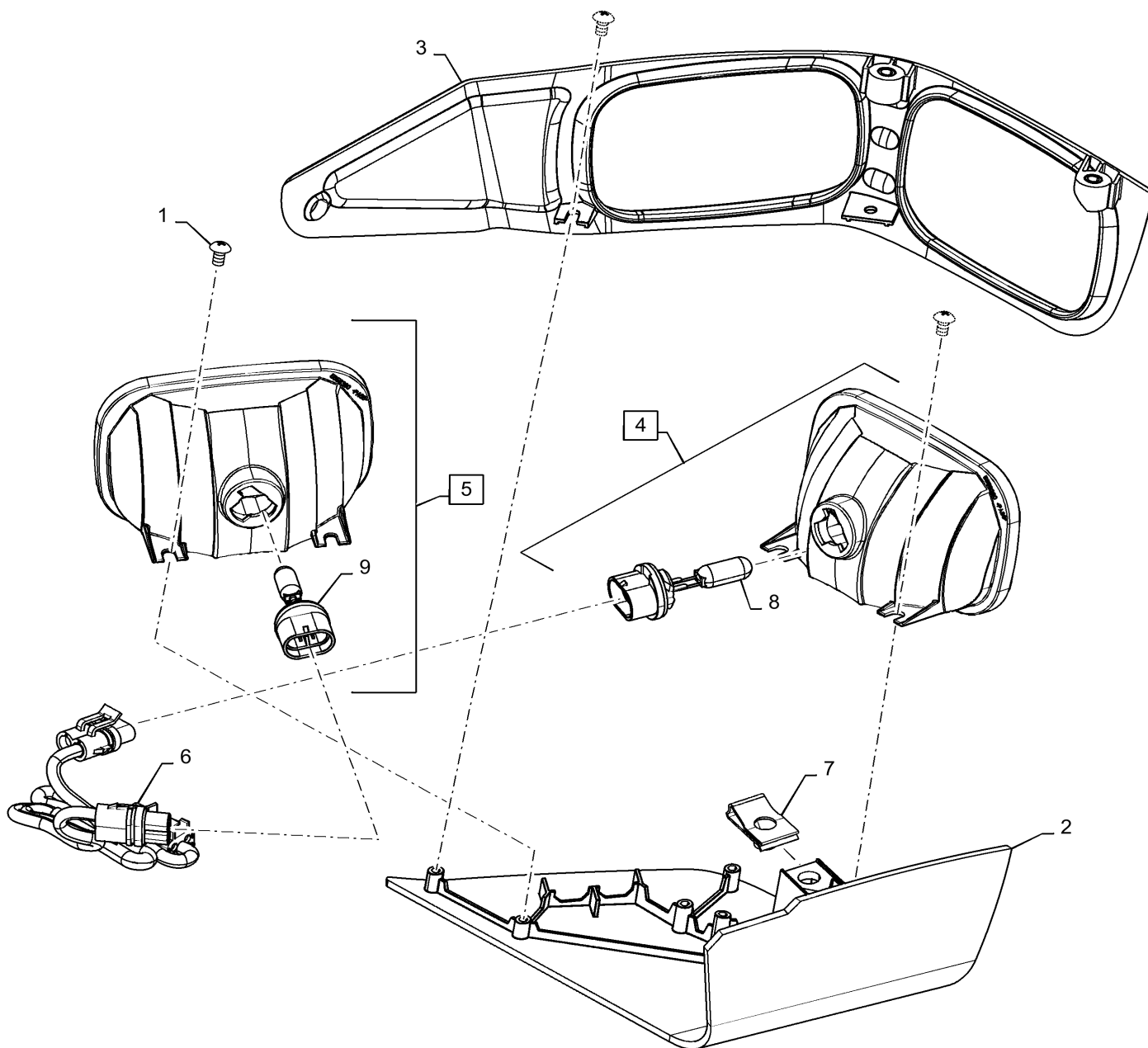
55.404.140

01

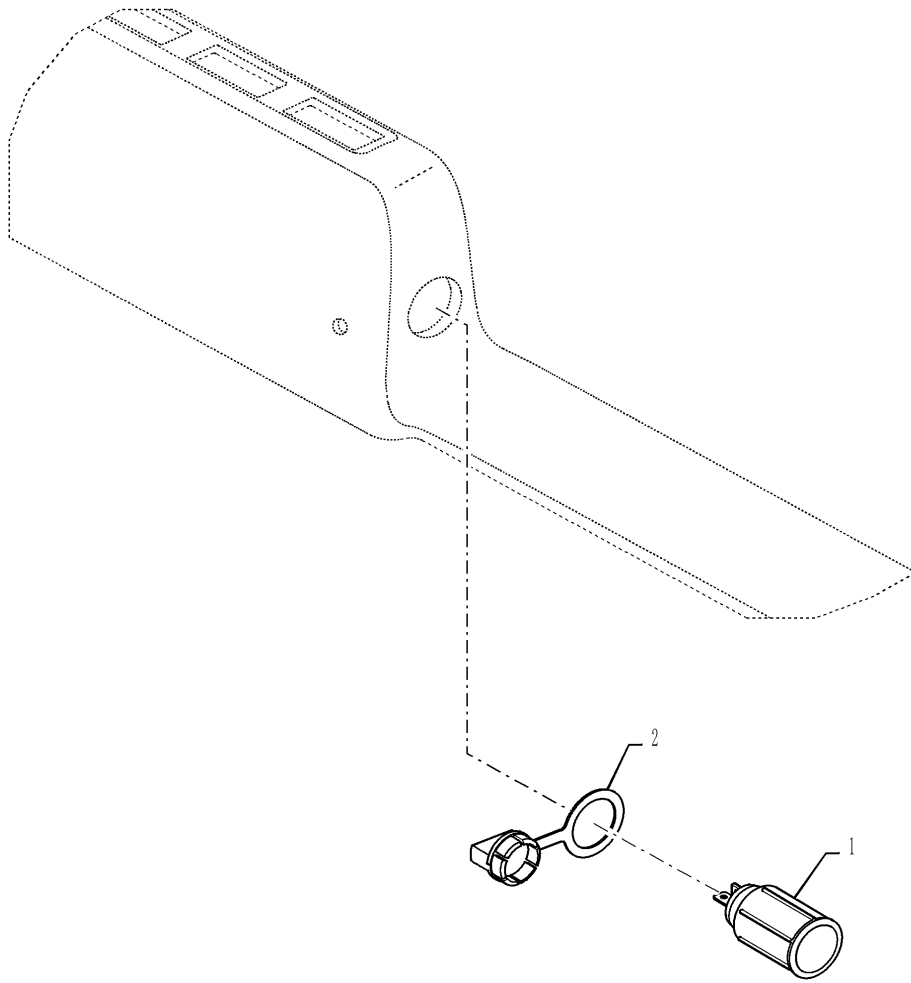
p1

9/2020

55 DEG SD LIGHT ASSEMBLY, LH



ACCESSORIES SOCKET

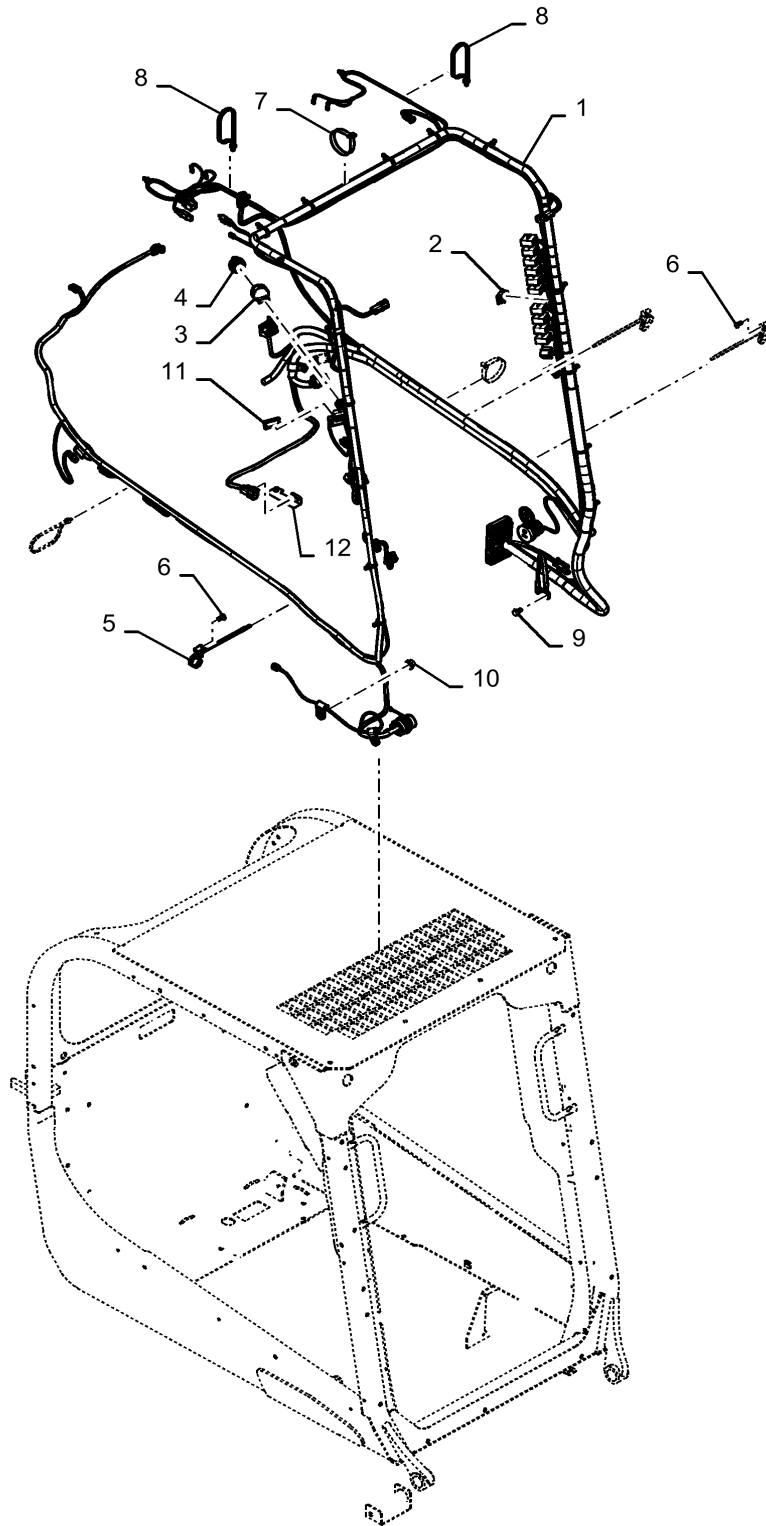


55.510.020

p1

9/2020

ELECTRICAL, CAB



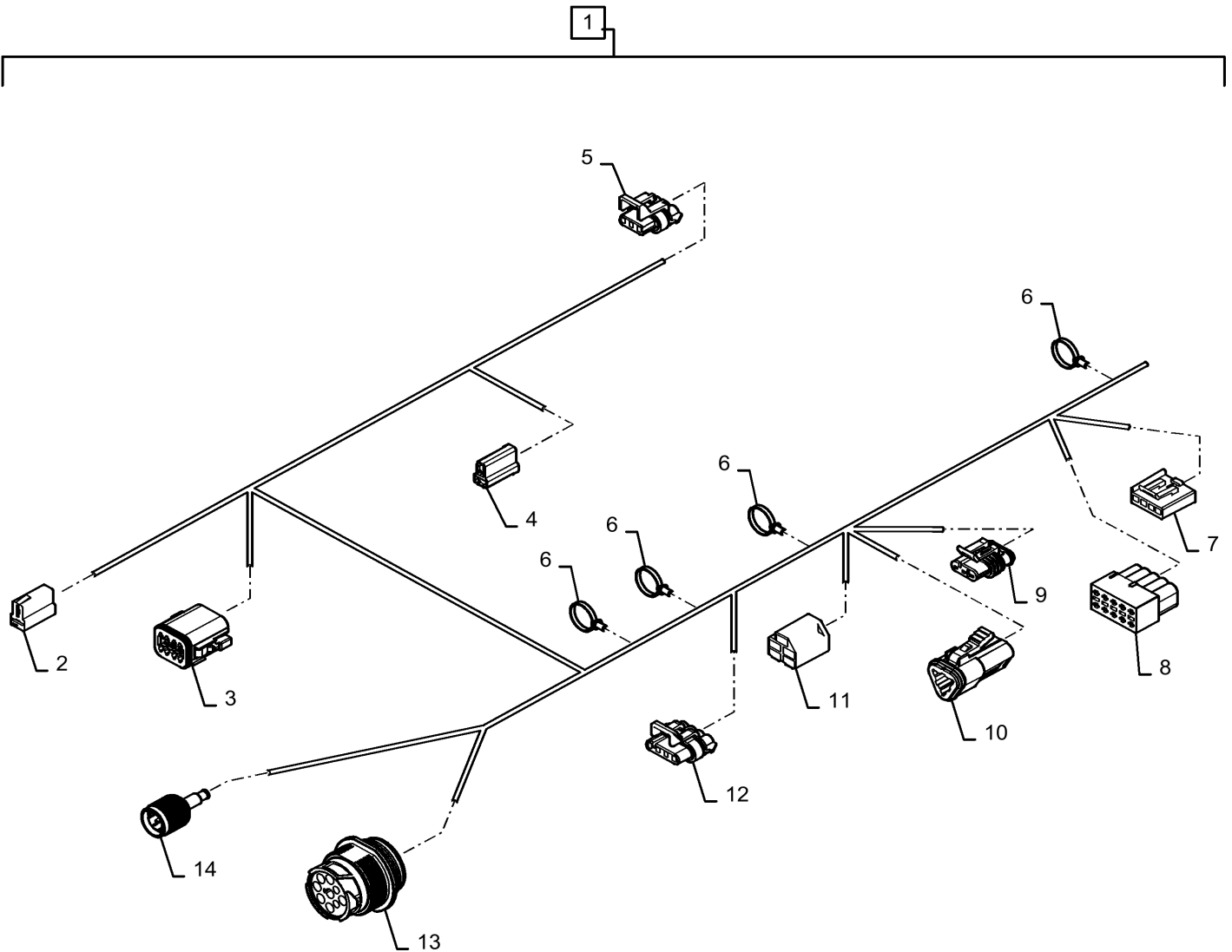
55.510.040

01

p1

9/2020

CAB, HARNESS, WIRE



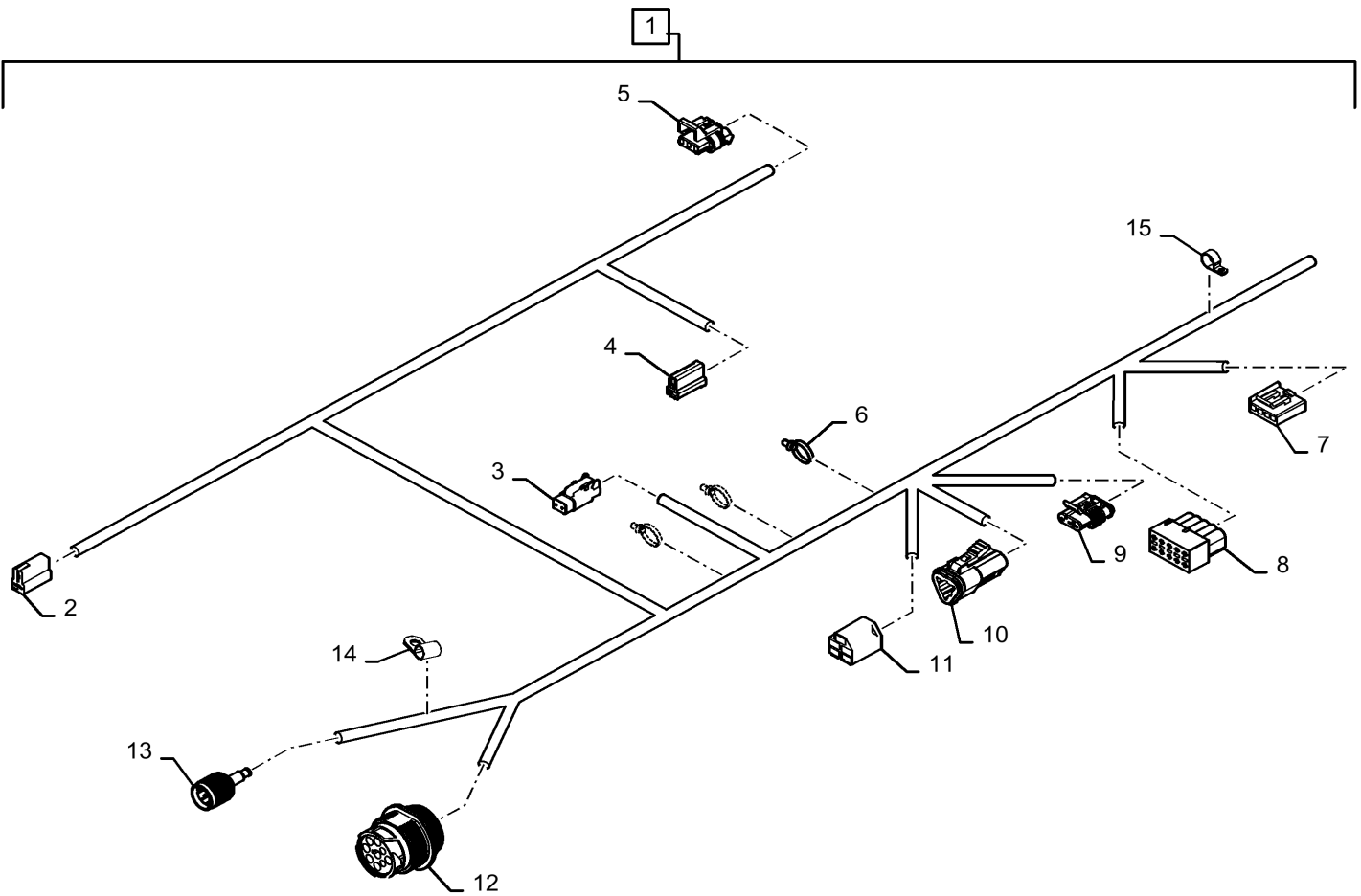
55.510.040

01

p2

9/2020

HARNESS, WIRE, CAB



55.510.040

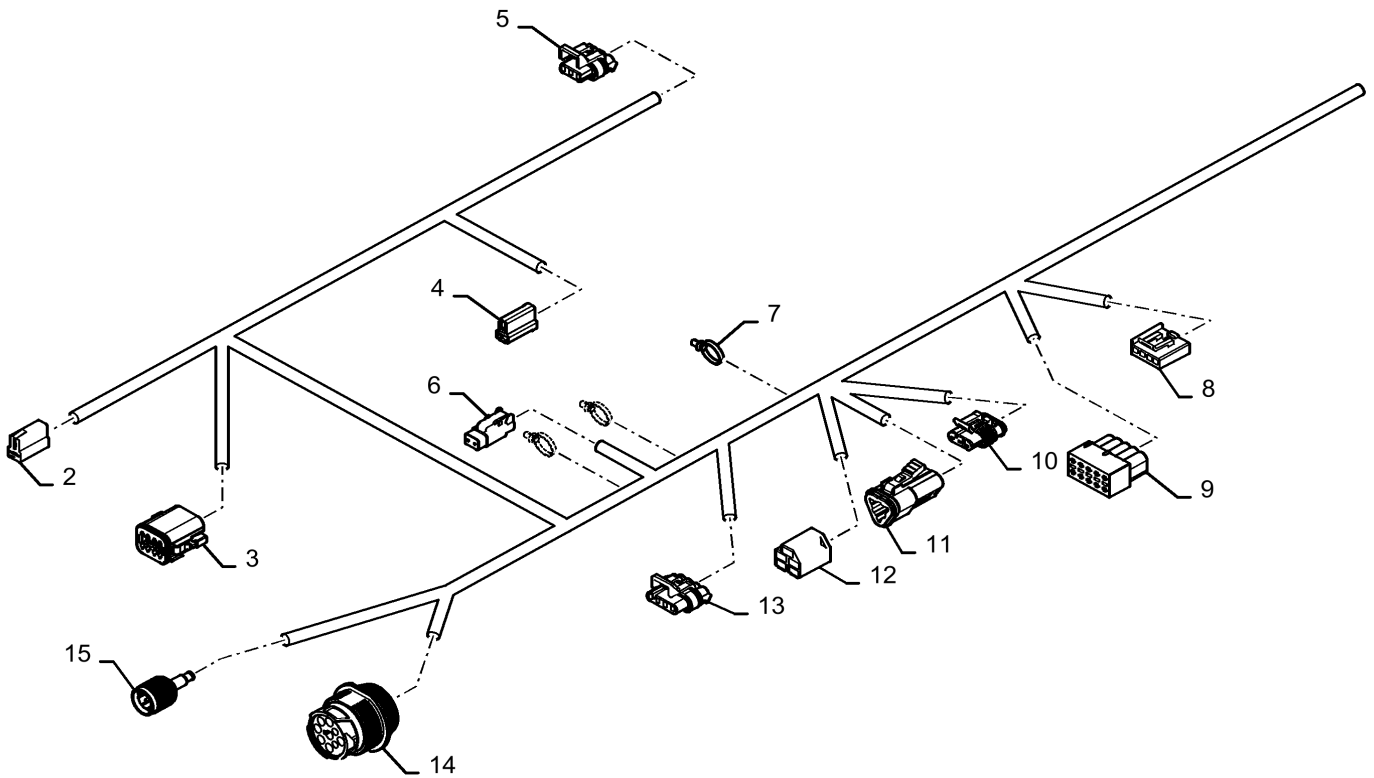
01

p3

9/2020

HARNESS, WIRE, CAB

1



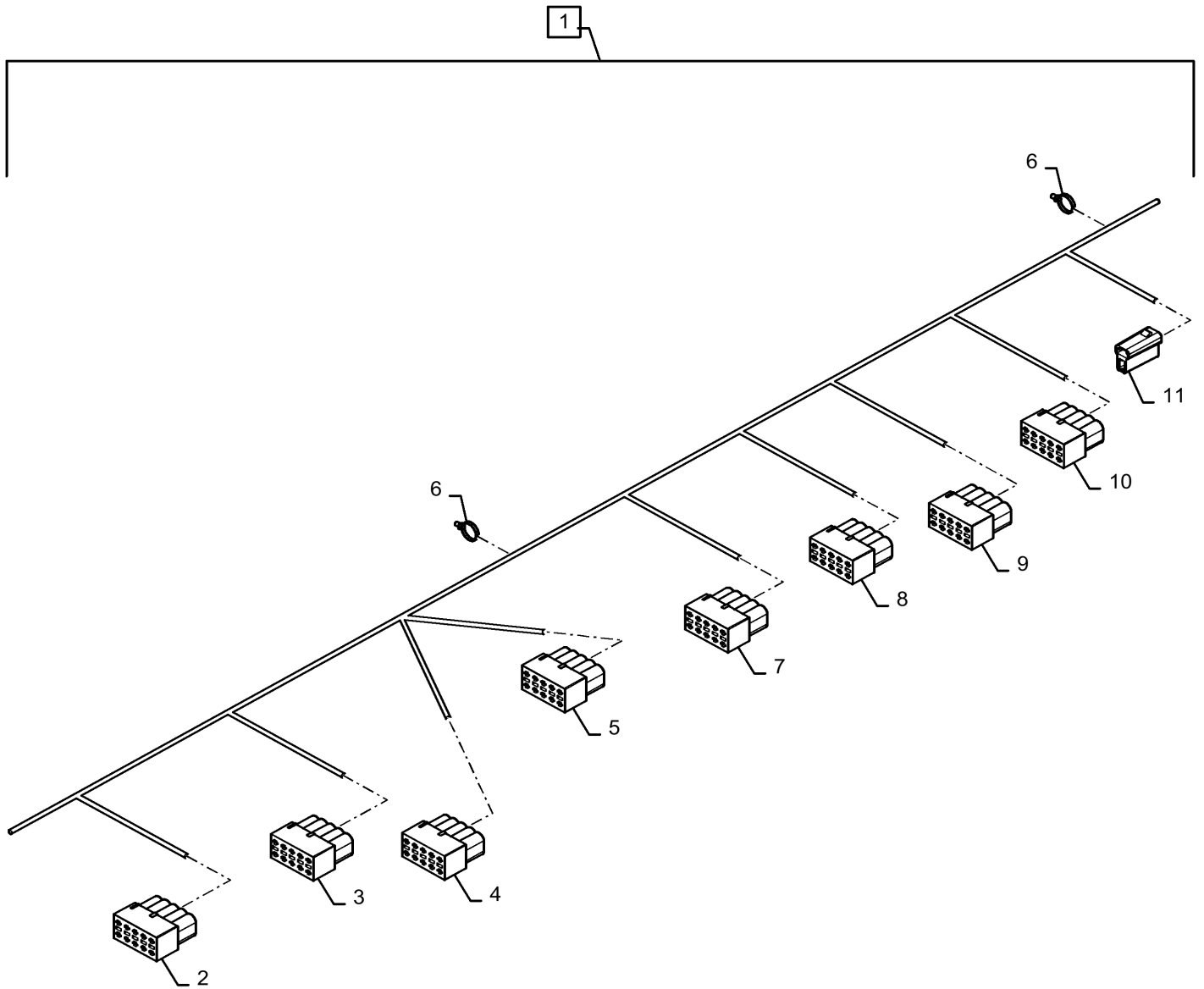
55.510.040

03

p1

9/2020

CAB, HARNESS, WIRE, MECHANICAL



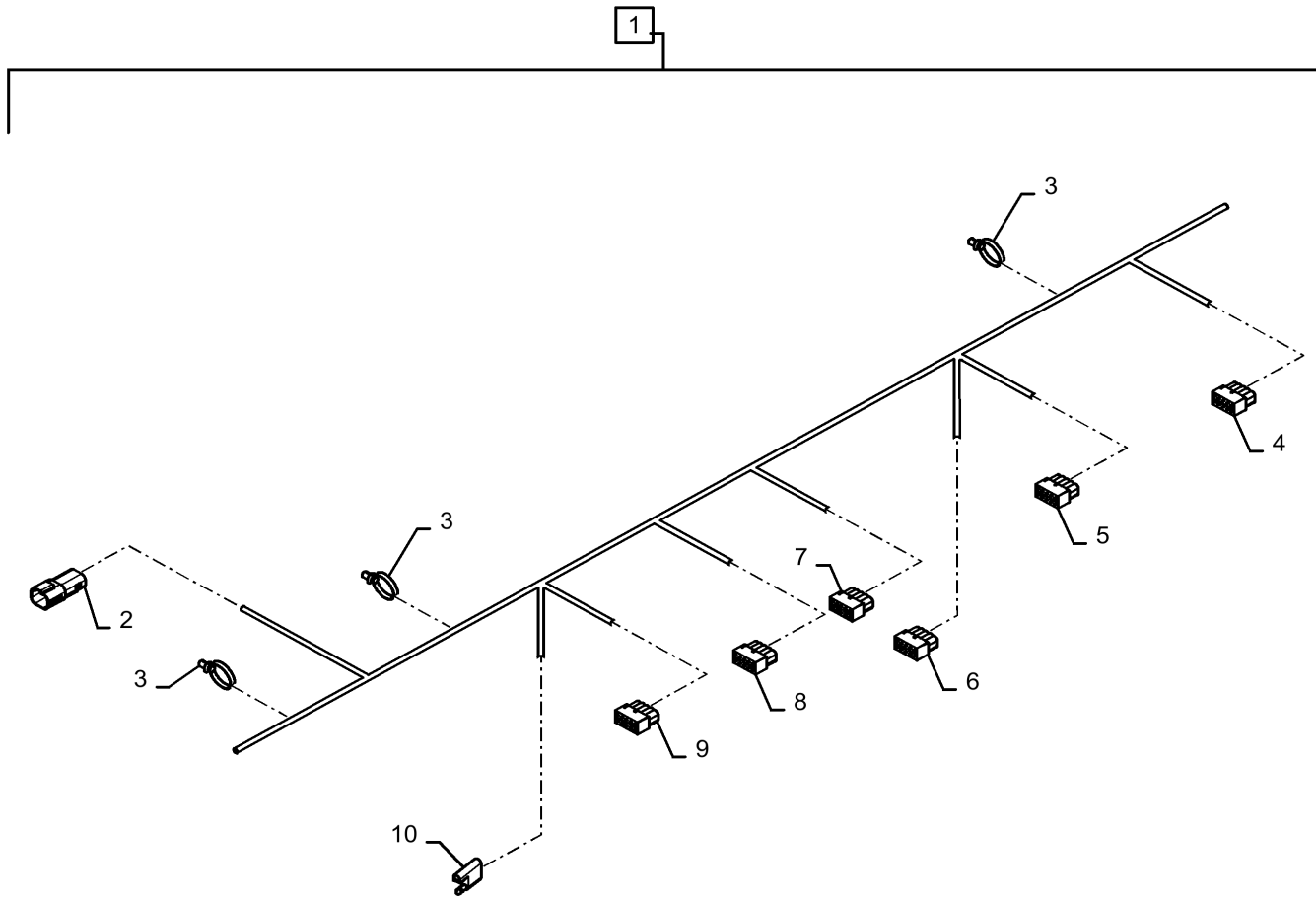
55.510.040

03

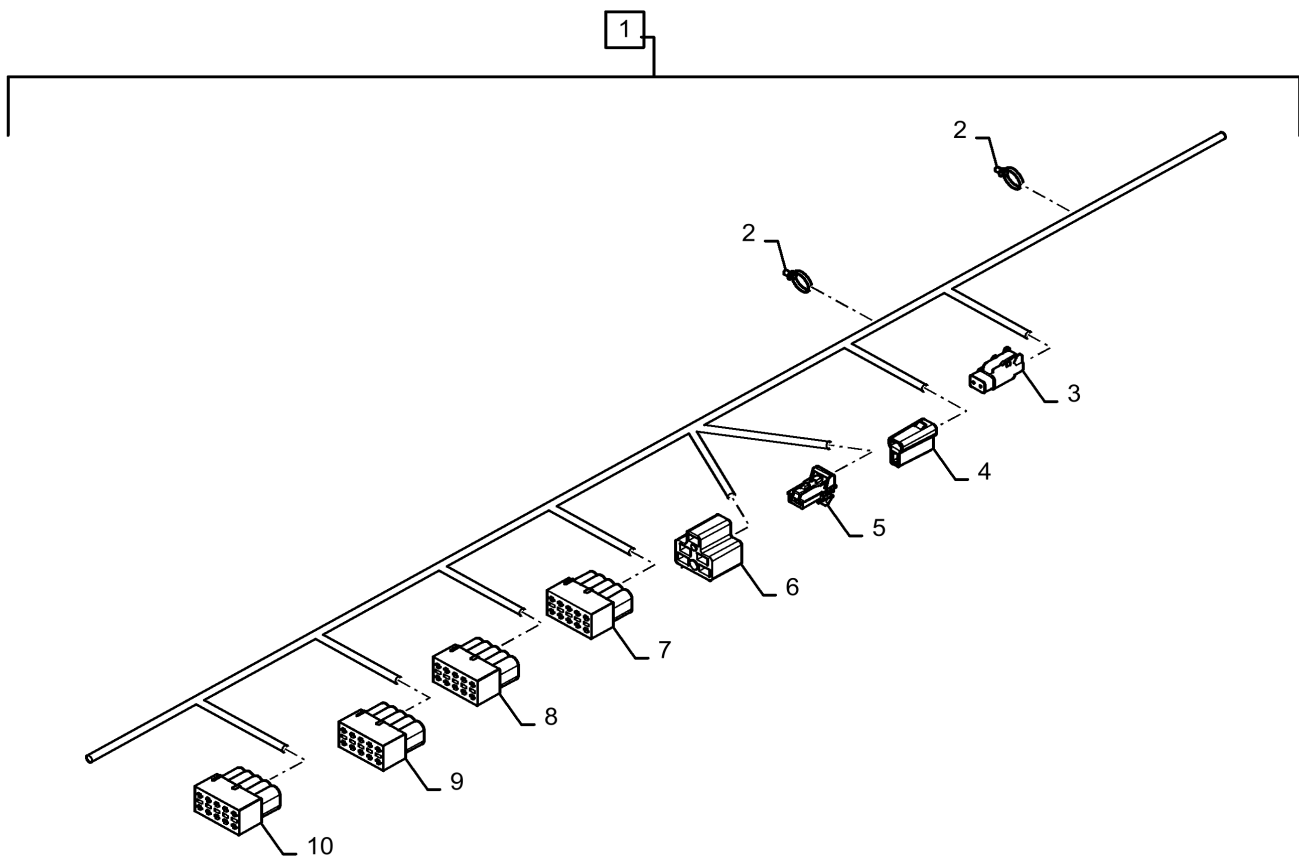
p2

9/2020

HARNESS, WIRE, CAB



HARNESS, WIRE, CAB



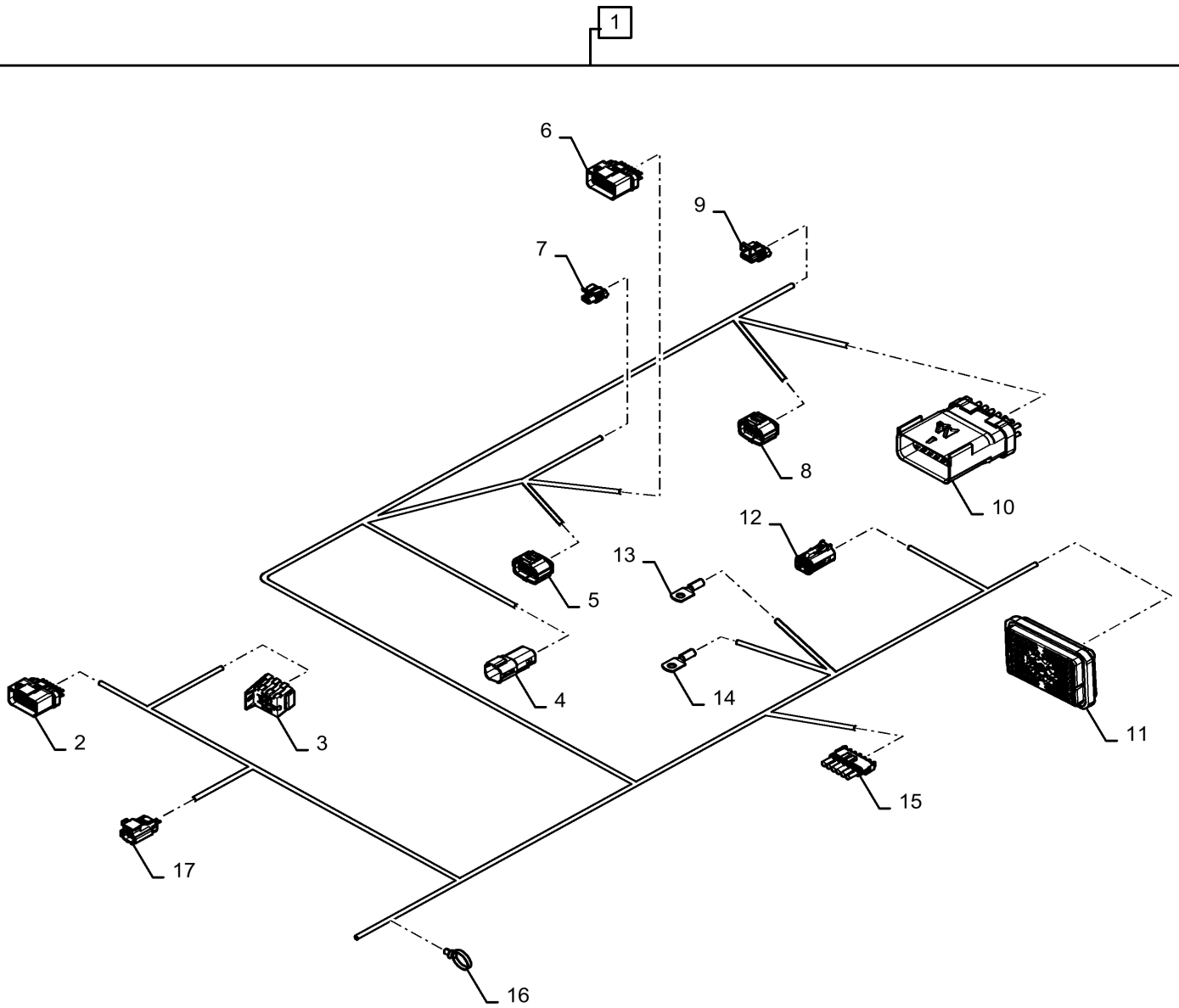
55.510.040

05

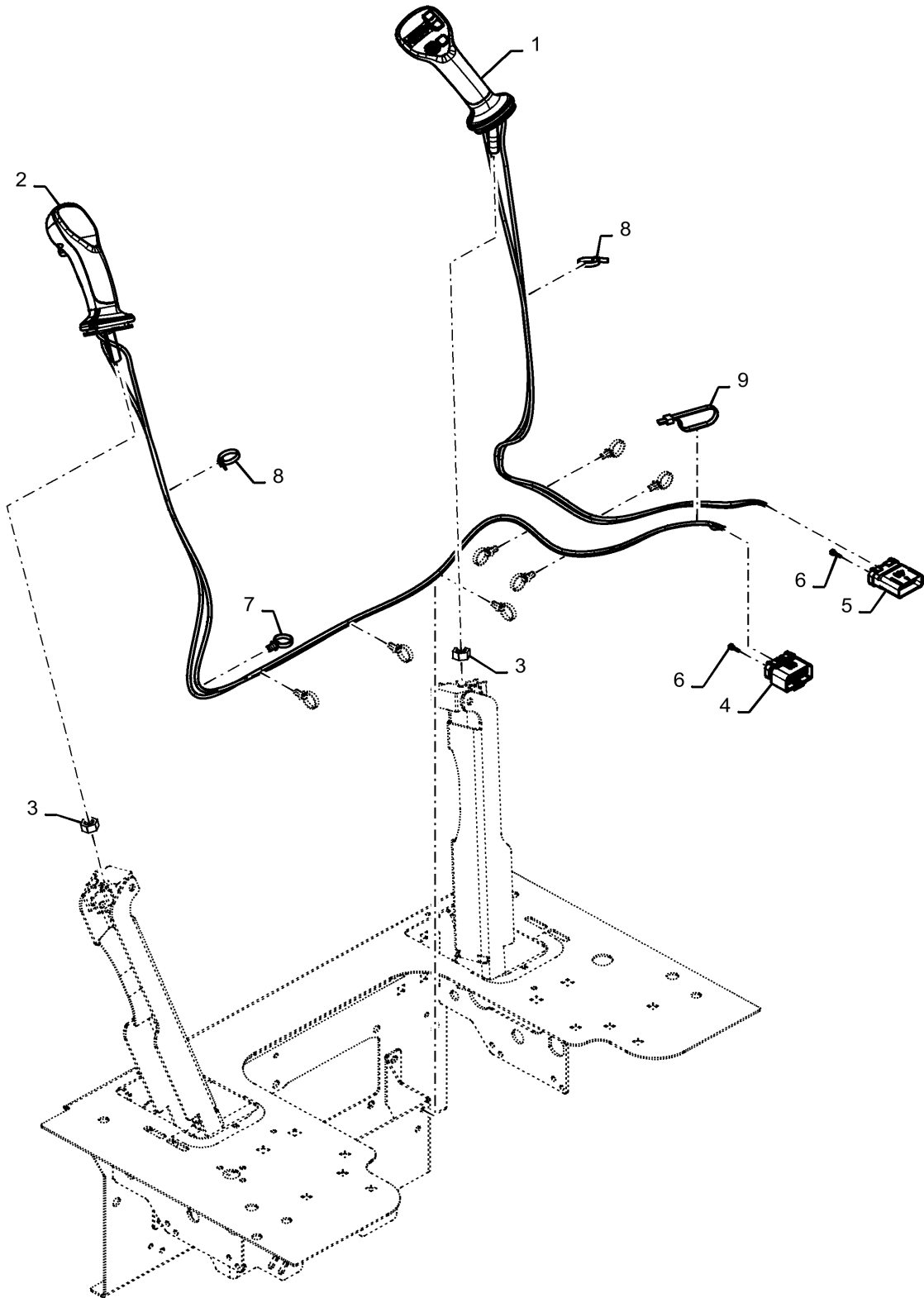
p1

9/2020

HARNESS, WIRE, CAB



100 LEVEL GRIPS, MECHANICAL HAND

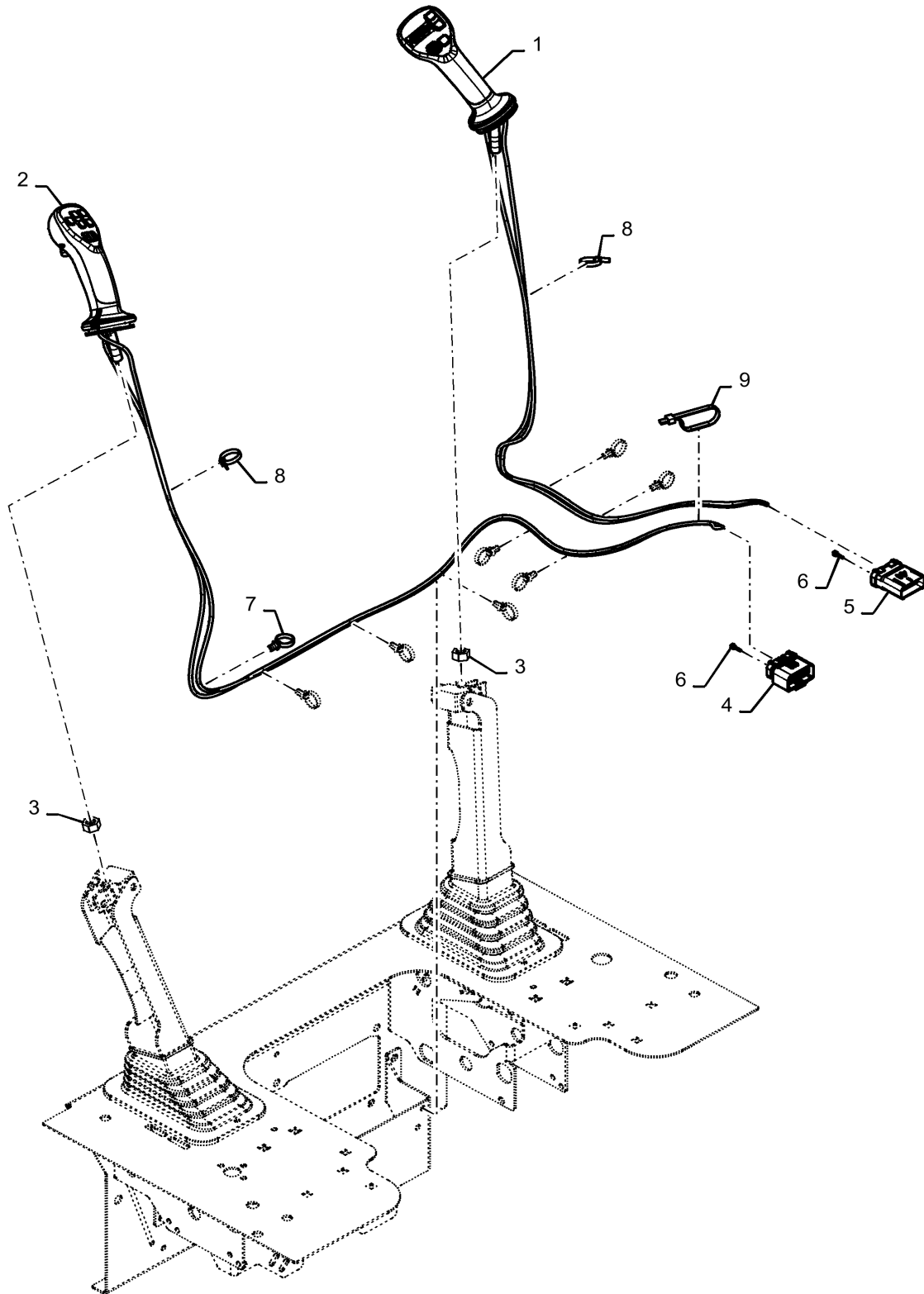


55.512.030

p1

9/2020

200 LEVEL GRIPS, MECHANICAL HAND



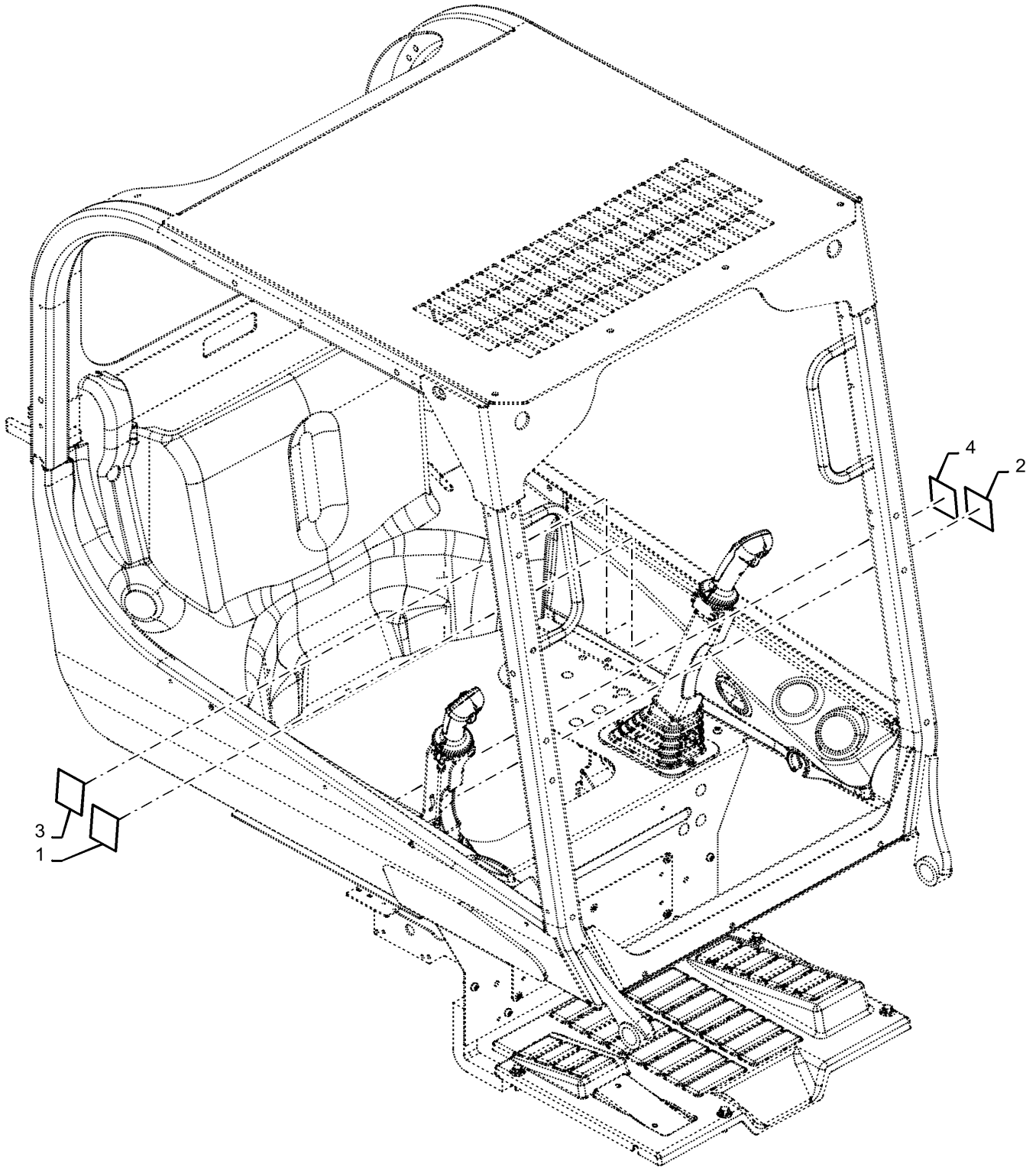
55.512.070

01

p1

9/2020

FOOT CONTROL DECALS, 300 - 350 GRIPS

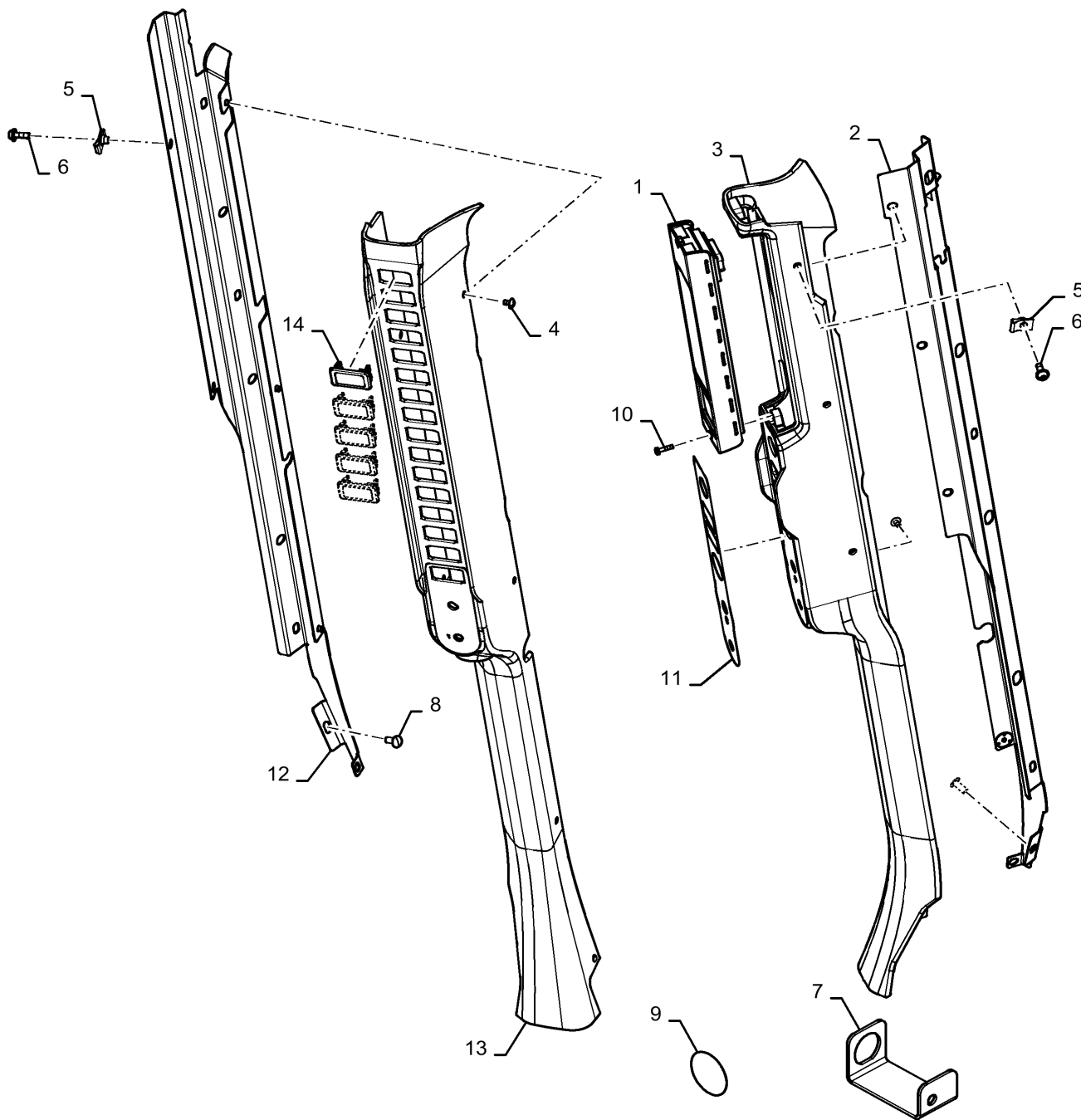


55.512.150

p1

9/2020

INSTRUMENT CLUSTER

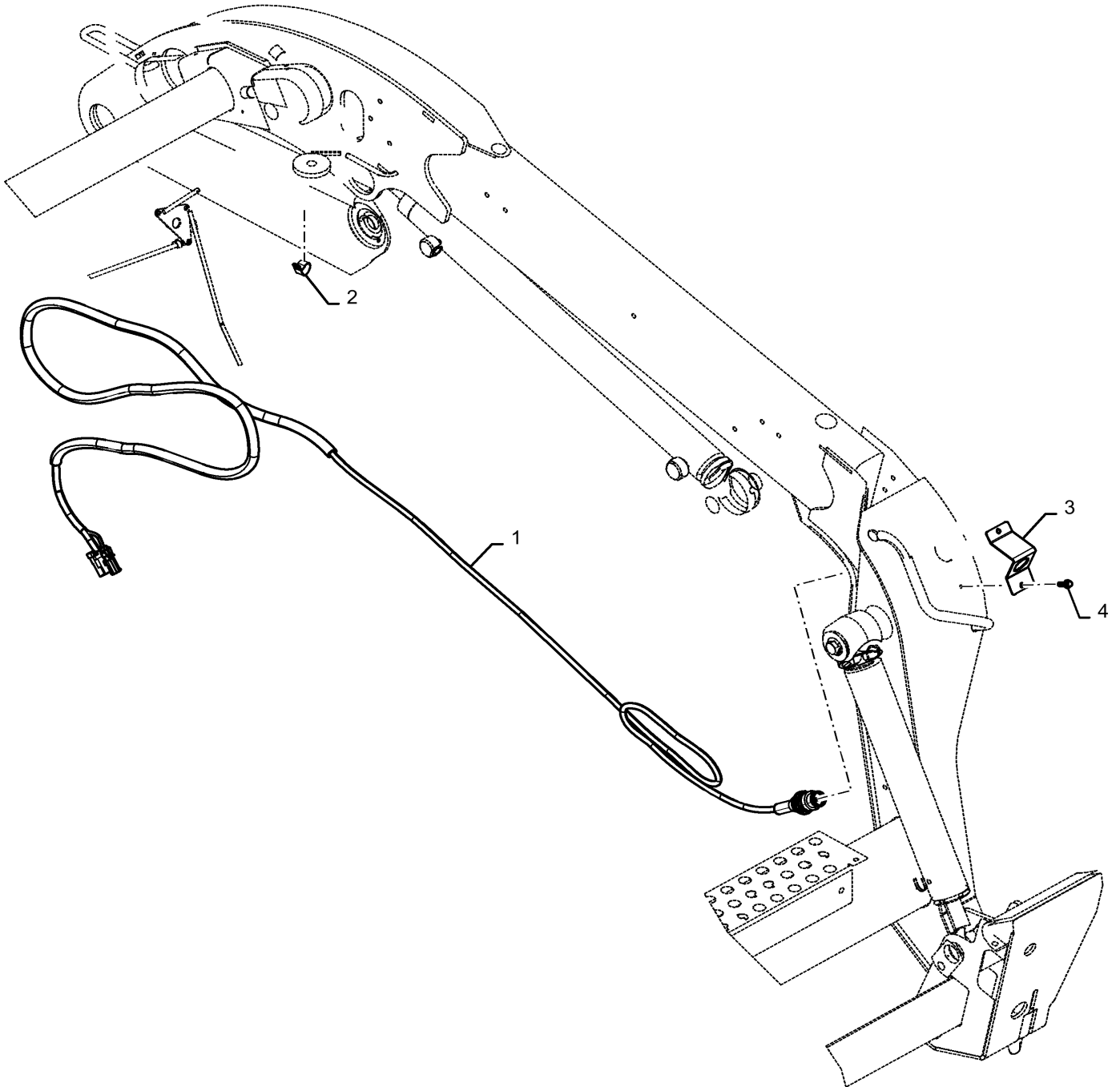


55.512.210

p1

9/2020

MULTIFUNCTION,NO ROAD LIGHT



CLICK HERE TO **DOWNLOAD** THE COMPLETE MANUAL

- Thank you very much for reading the preview of the manual.
- You can download the complete manual from: www.heydownloads.com by clicking the link below



- Please note: If there is no response to CLICKING the link, please download this PDF first and then click on it.

CLICK HERE TO **DOWNLOAD** THE COMPLETE MANUAL

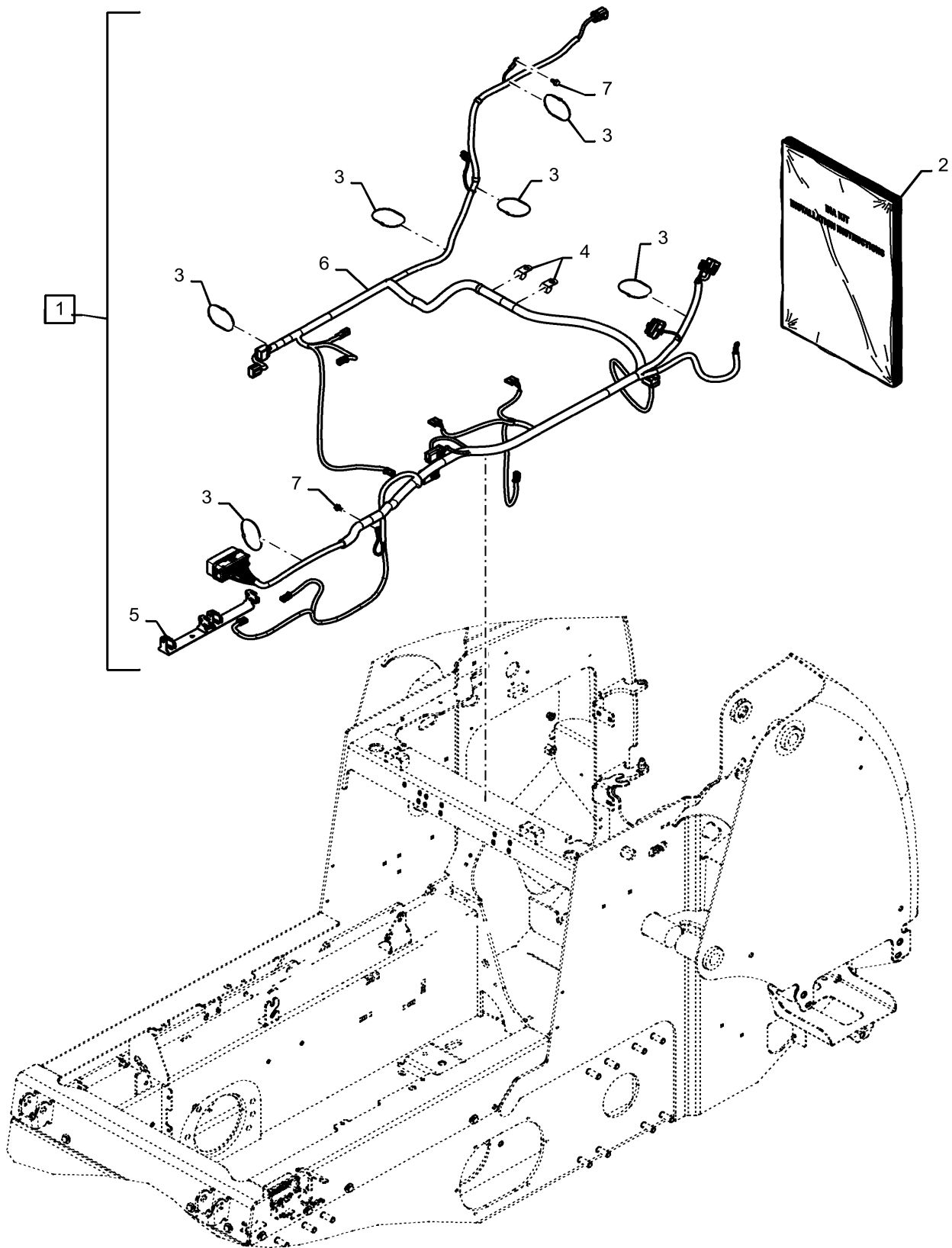
88.100.055

20

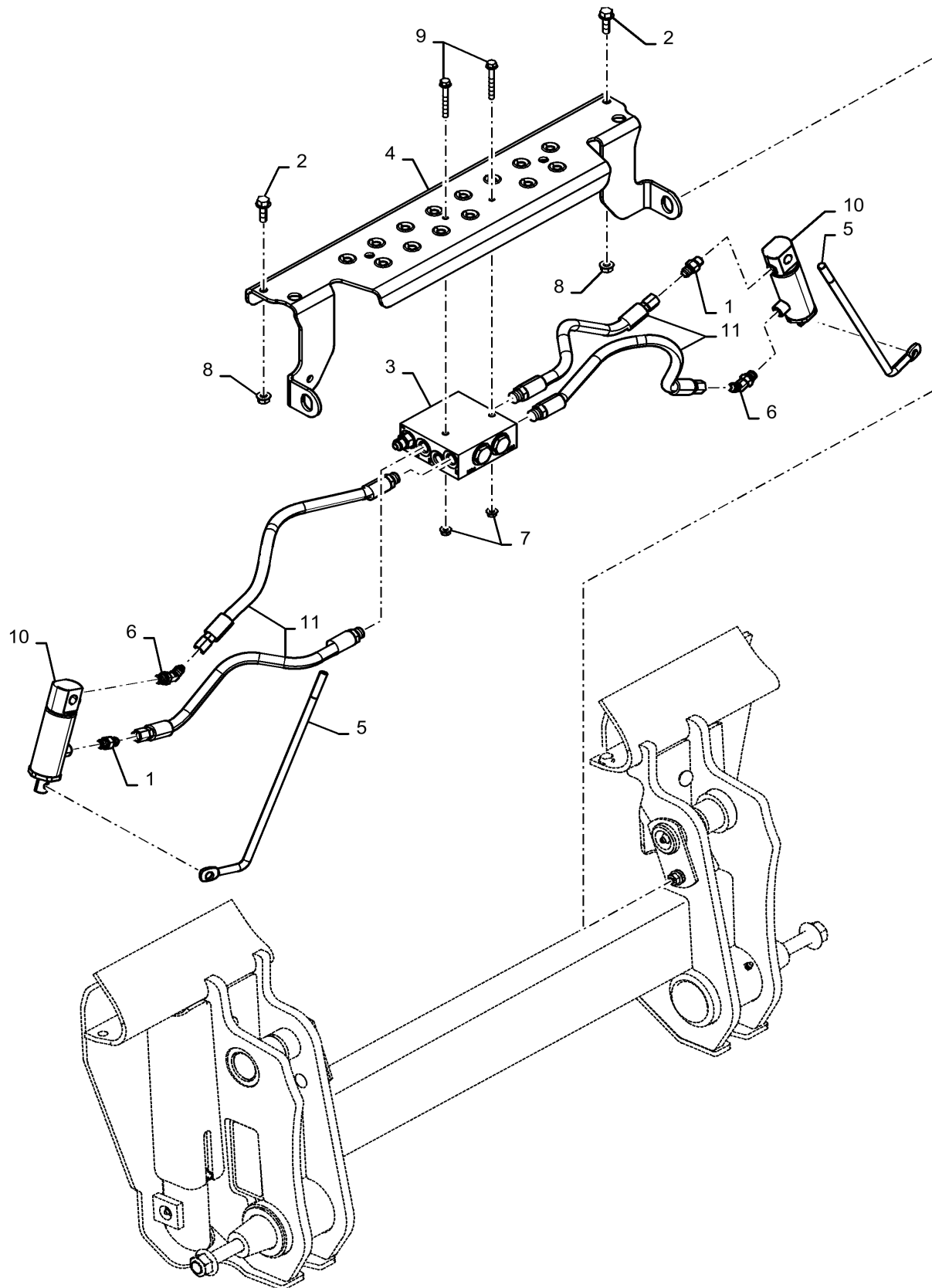
p1

9/2020

KIT, MECHANICAL CHASSIS OPTION HARNESS



COUPLER

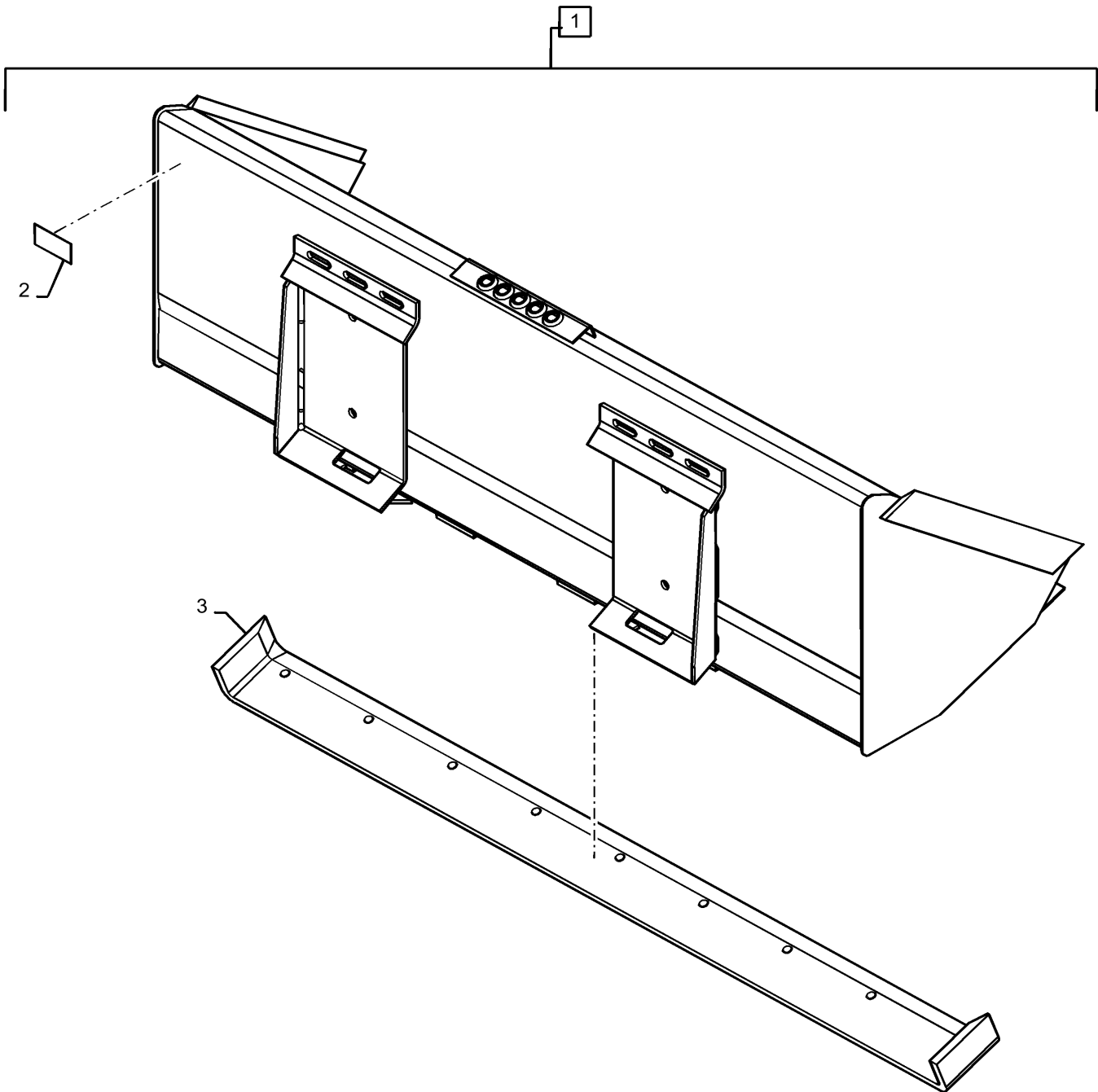


82.300.010

p1

9/2020

BUCKET 78"

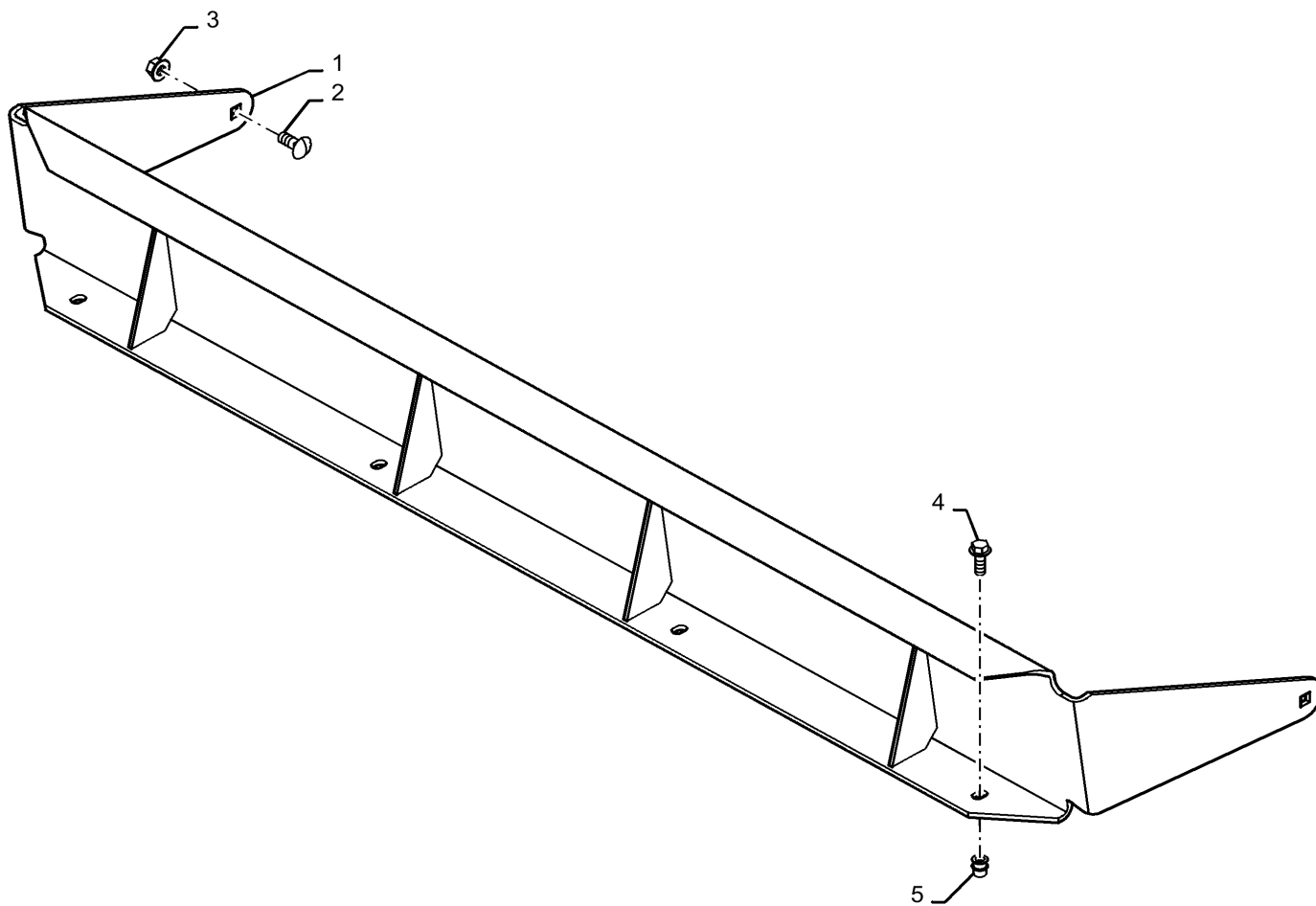


82.300.040

p1

9/2020

SPILLBOARD 84"

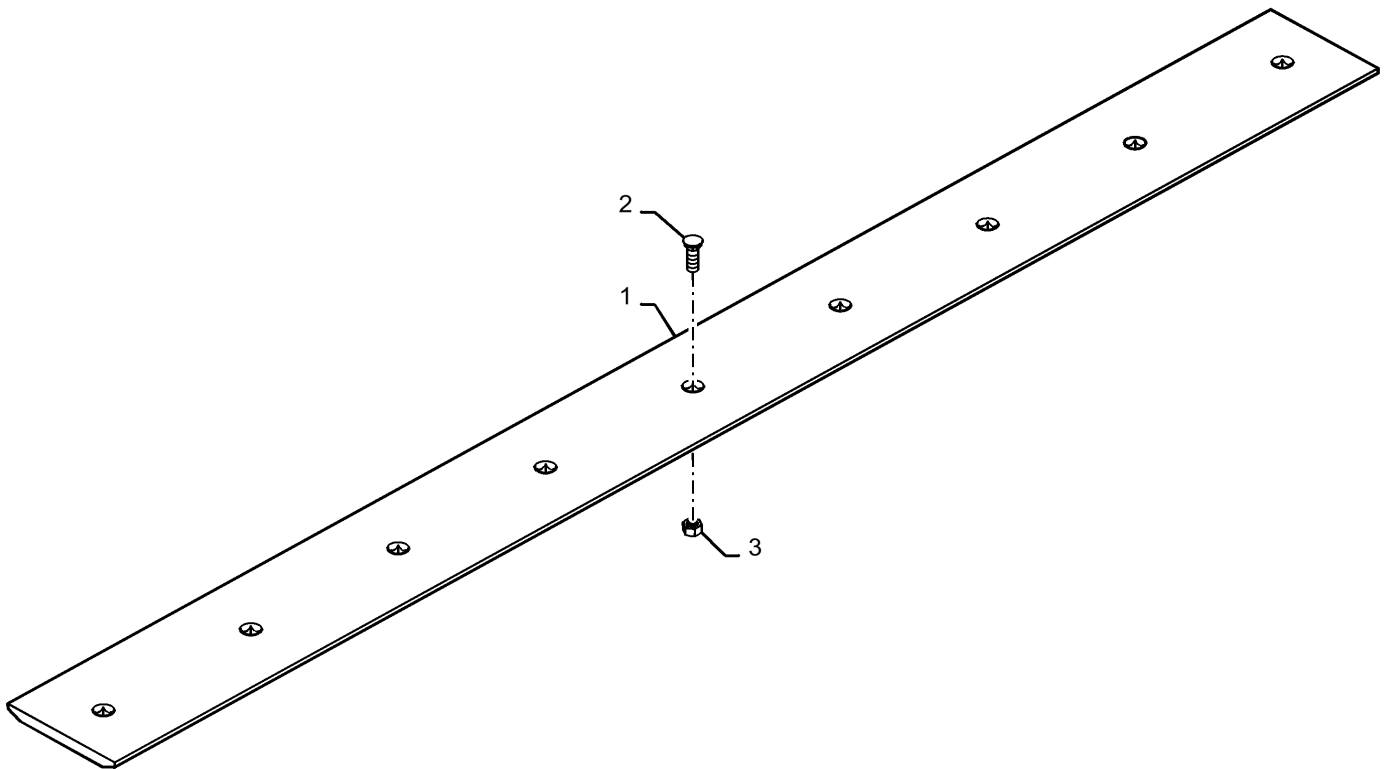


82.300.100

p1

9/2020

CUTTING EDGE 78"

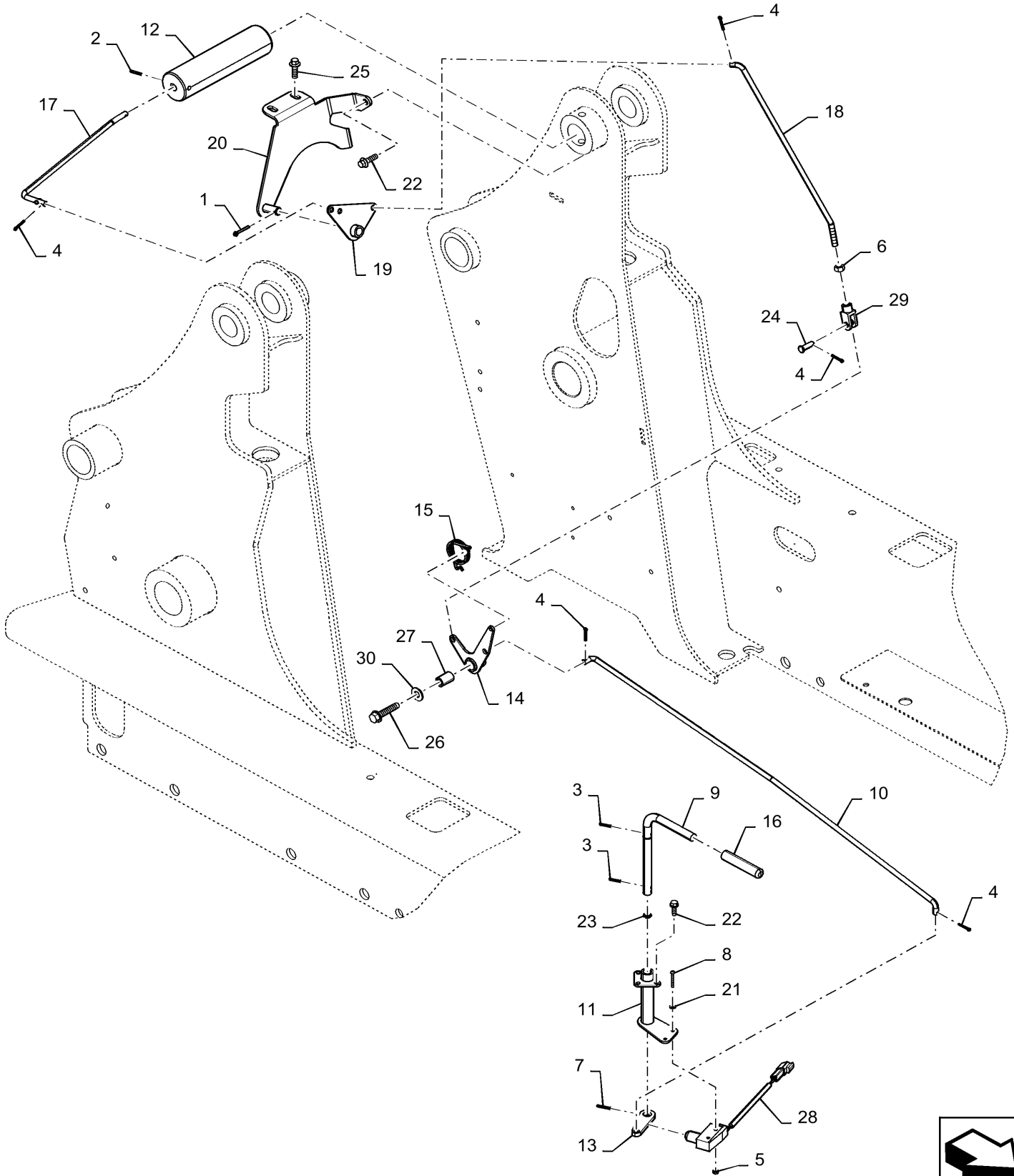


84.910.020

p2

9/2020

BOOM LOCK



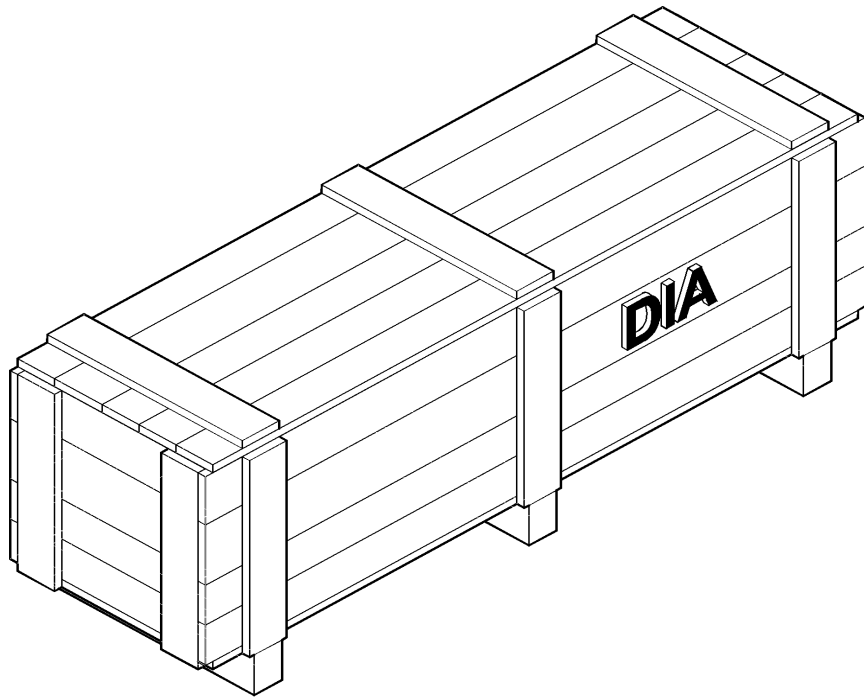
88.100.035

13

p1

9/2020

KIT, HIGH FLOW 36.6/20.4CC



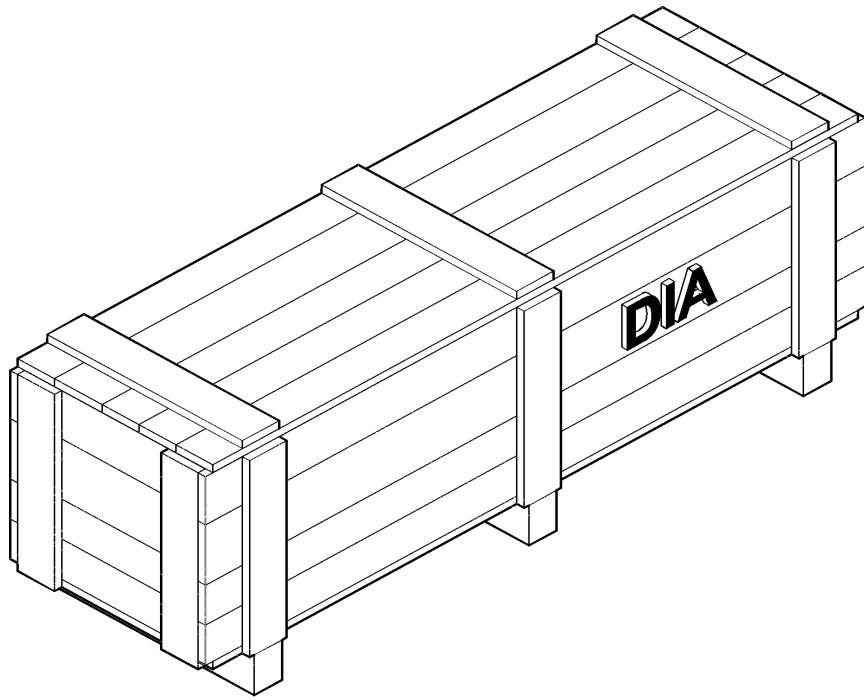
88.100.035

19

p3

9/2020

KIT, HYDRAULIC COUPLER



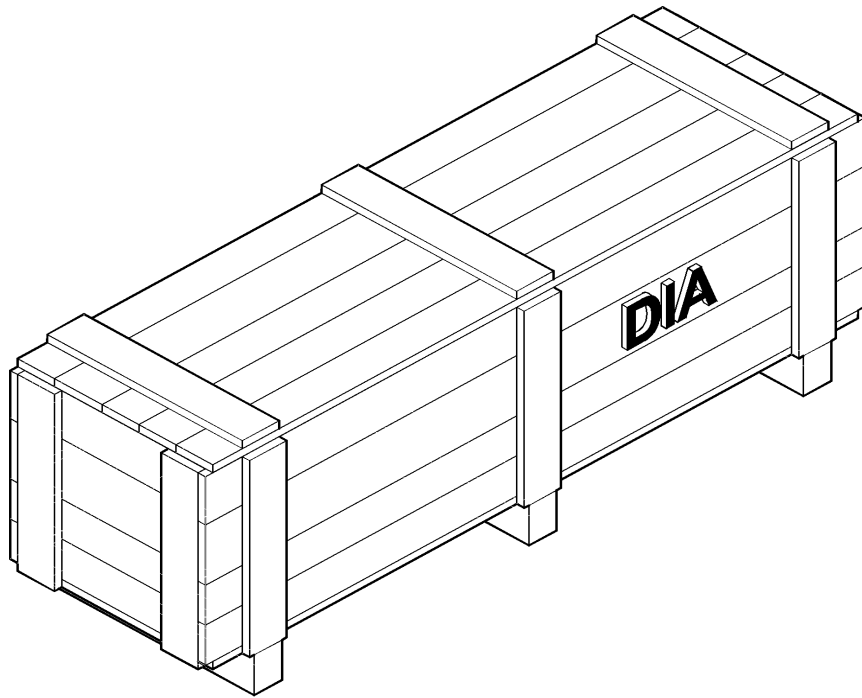
88.100.035

36

p3

9/2020

DIA KIT, 2ND FRONT HYDRAULIC AUXILIARY



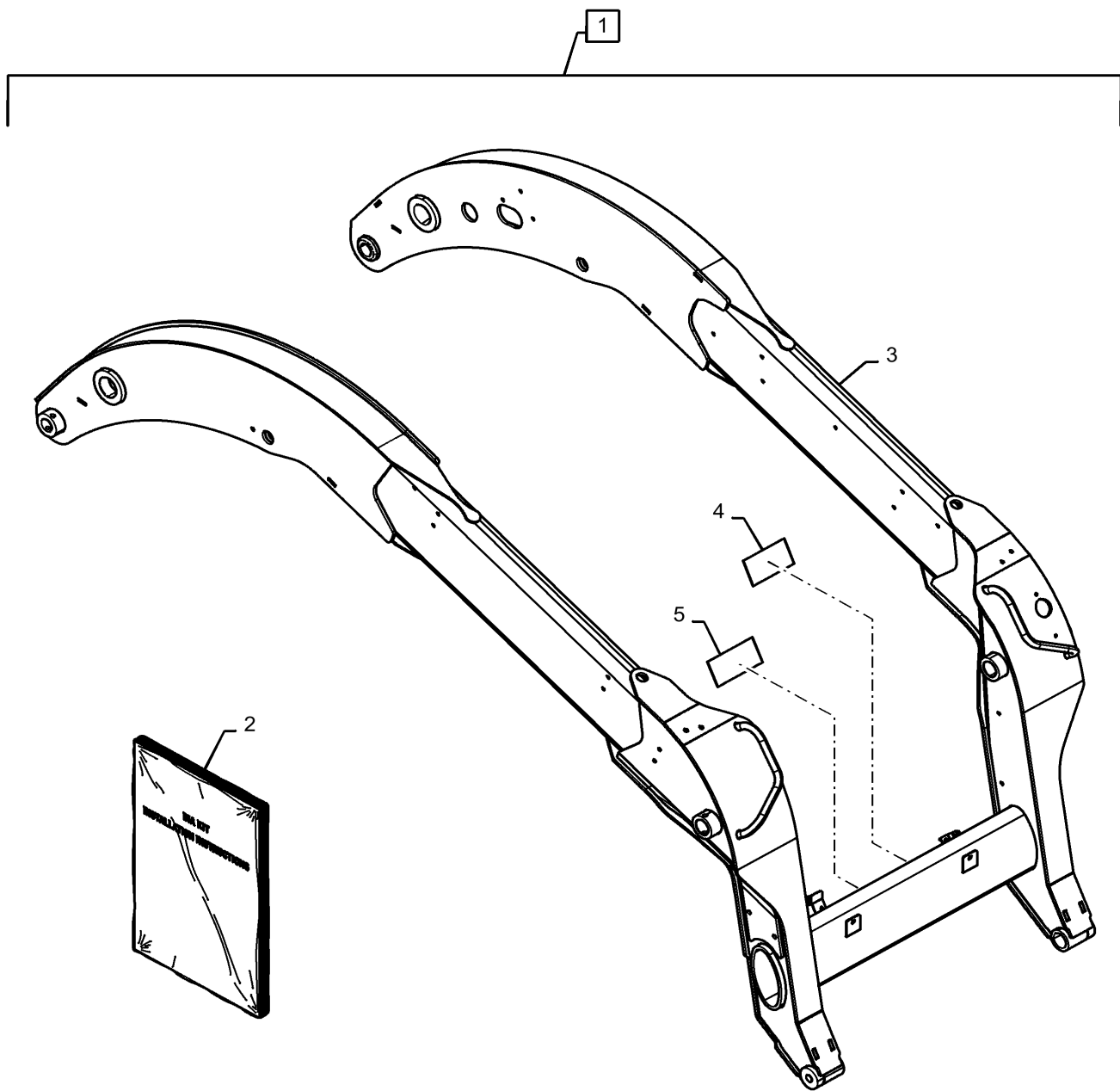
88.100.039

15

p1

9/2020

DIA KIT, LARGE VERTICAL BOOM



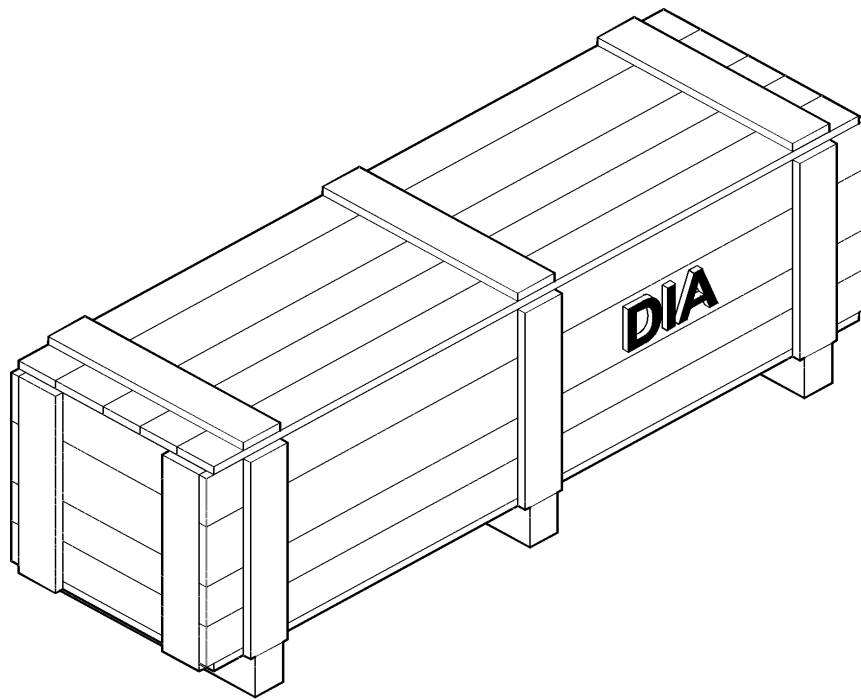
88.100.050

02

p2

9/2020

DIA KIT, HEAT COMPLETE



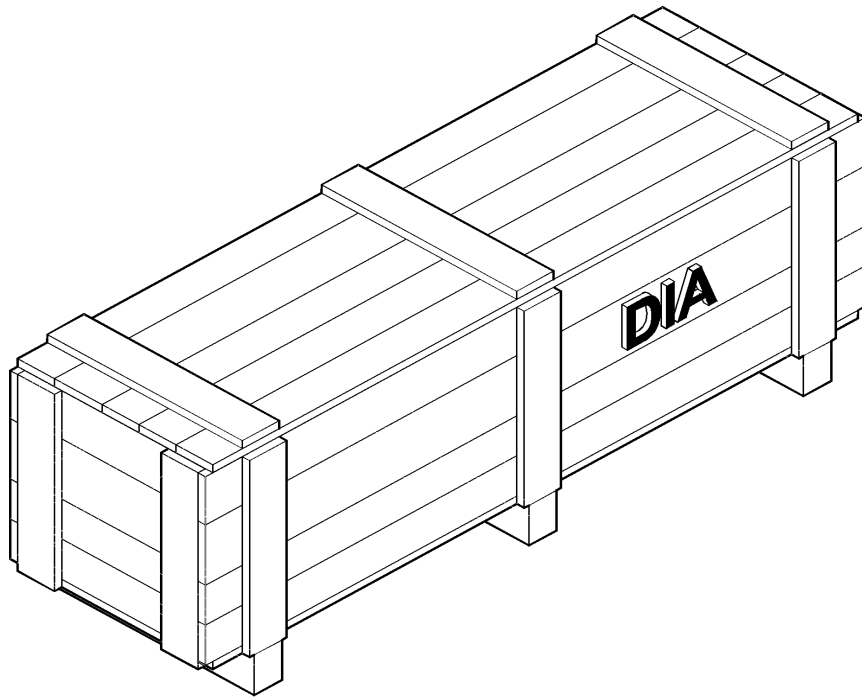
88.100.050

10

p4

9/2020

DIA KIT, HVAC COMPLETE



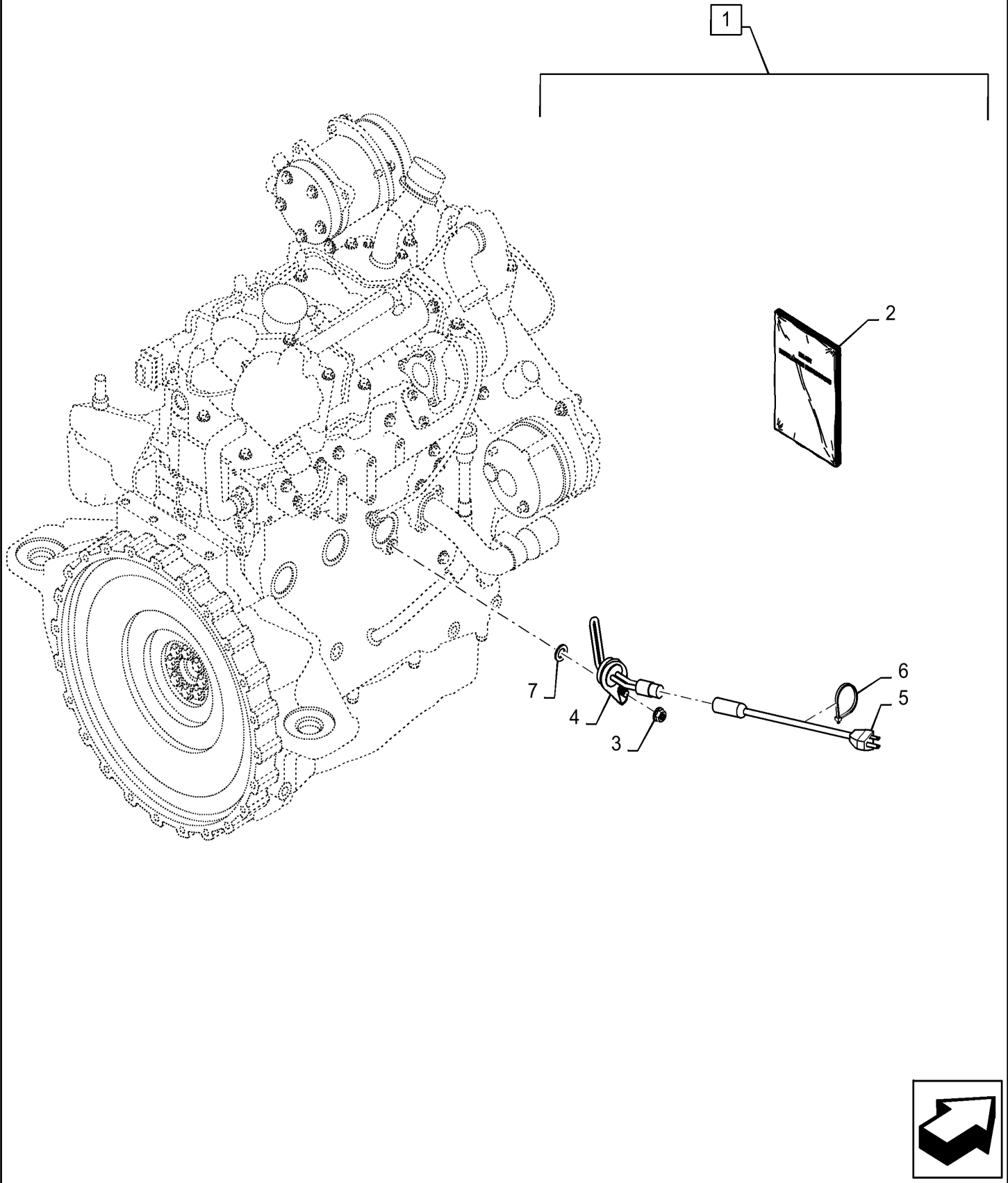
88.100.055

06

p1

9/2020

KIT, BLOCK HEATER, 220 VOLTS



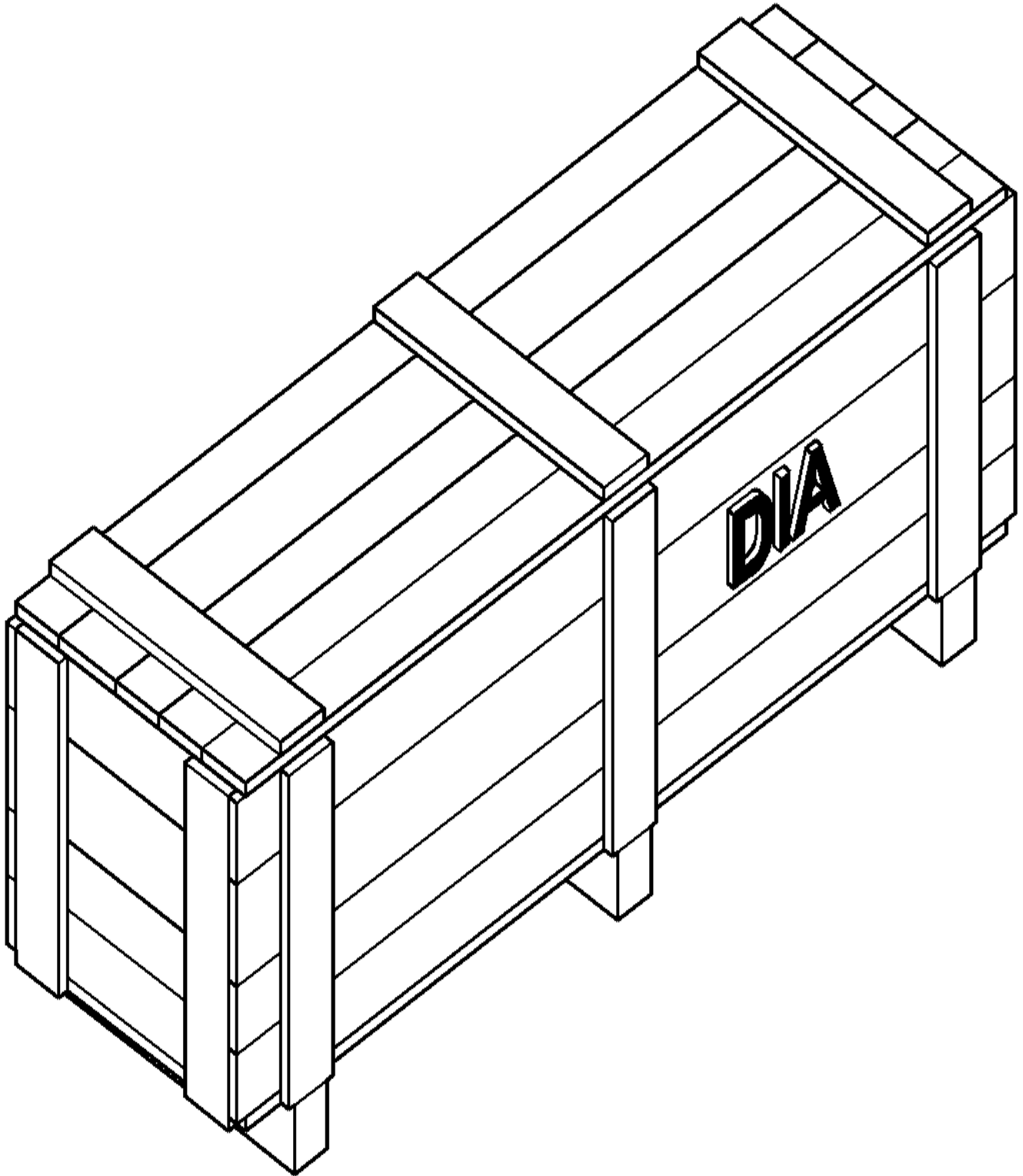
88.100.055

26

p1

9/2020

KIT, MULTIFUNCTIONAL, ELECTRICAL



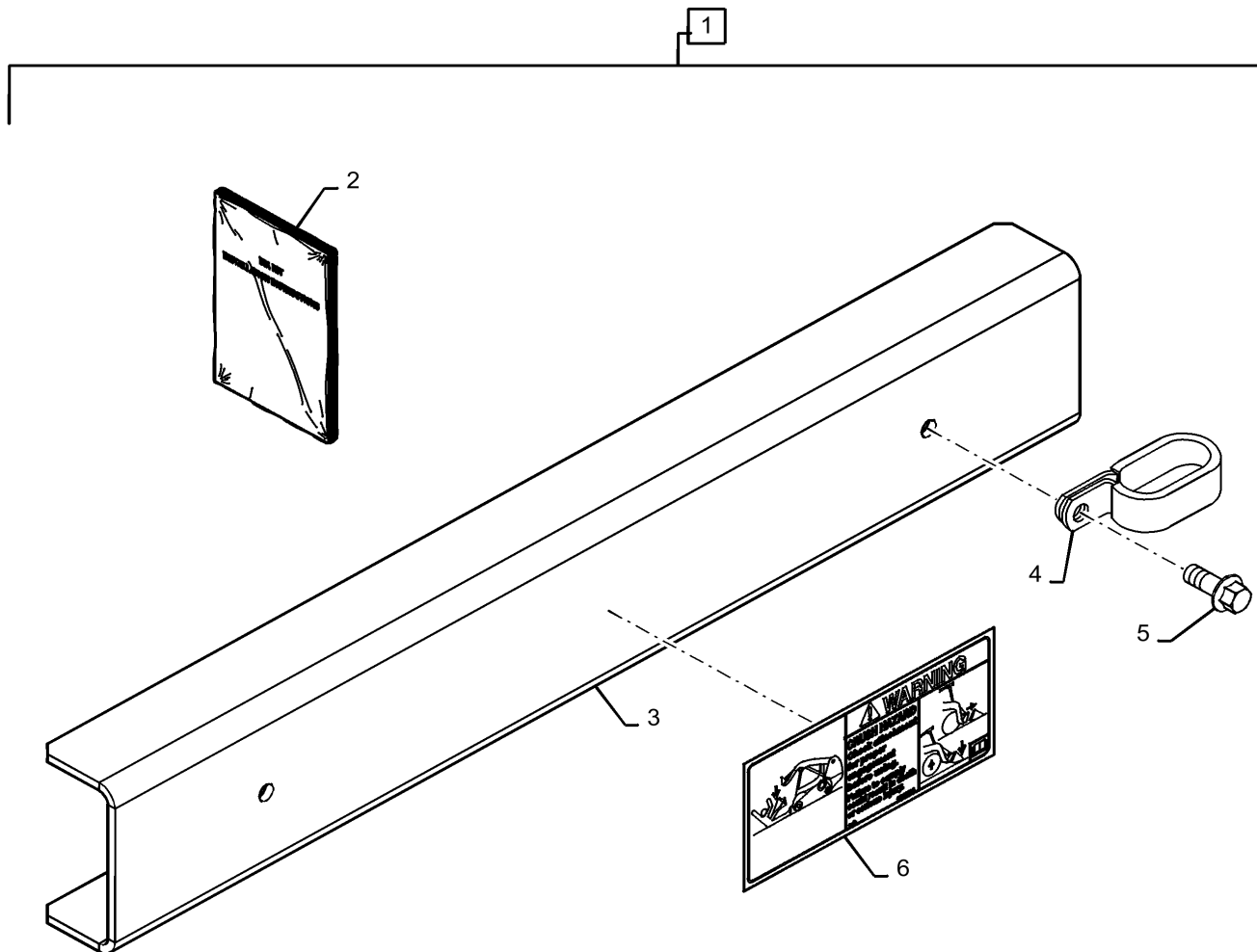
88.100.082

12

p1

9/2020

DIA KIT, COUPLER CROSS TUBE REINFORCEMENT



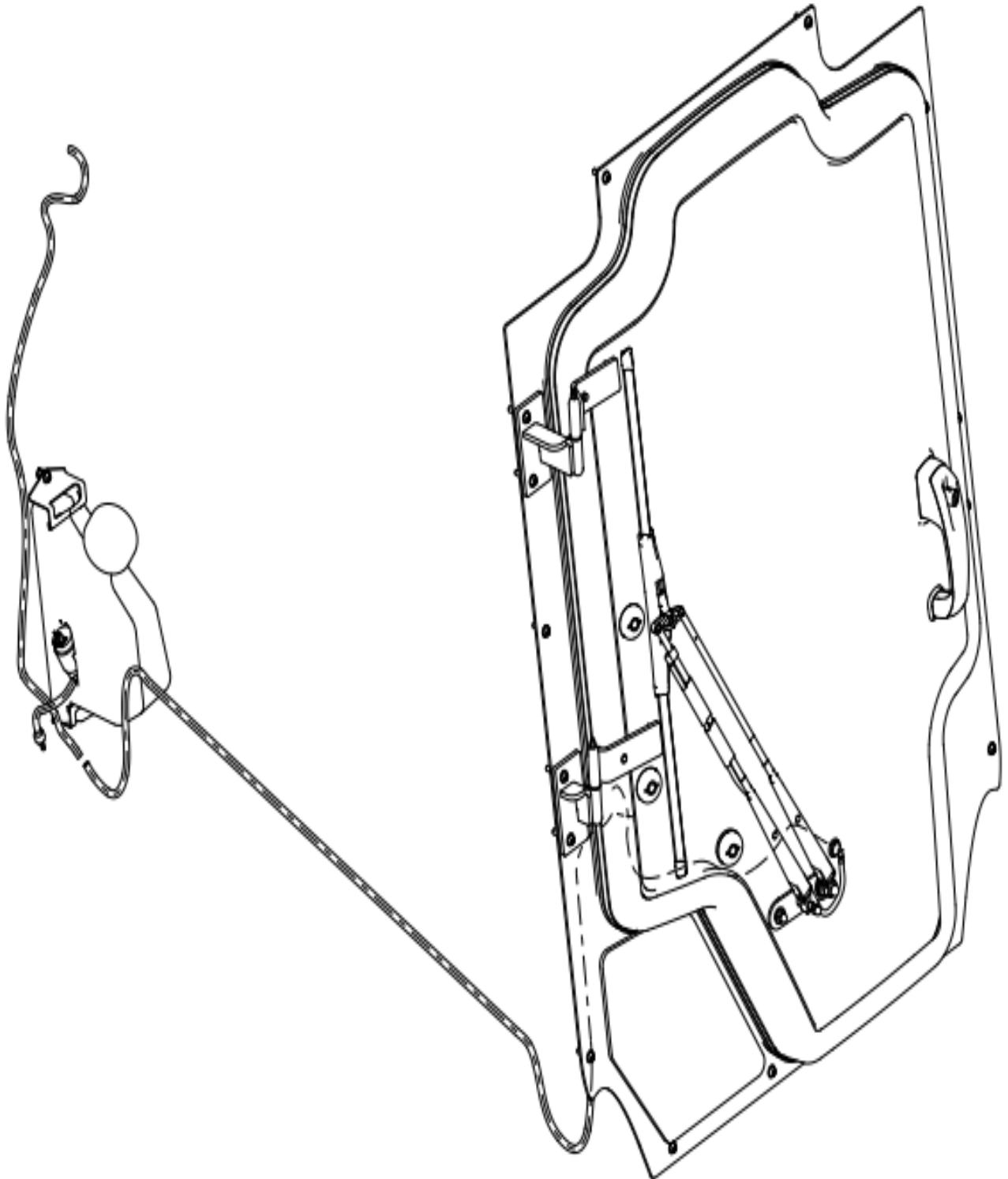
88.100.090

03

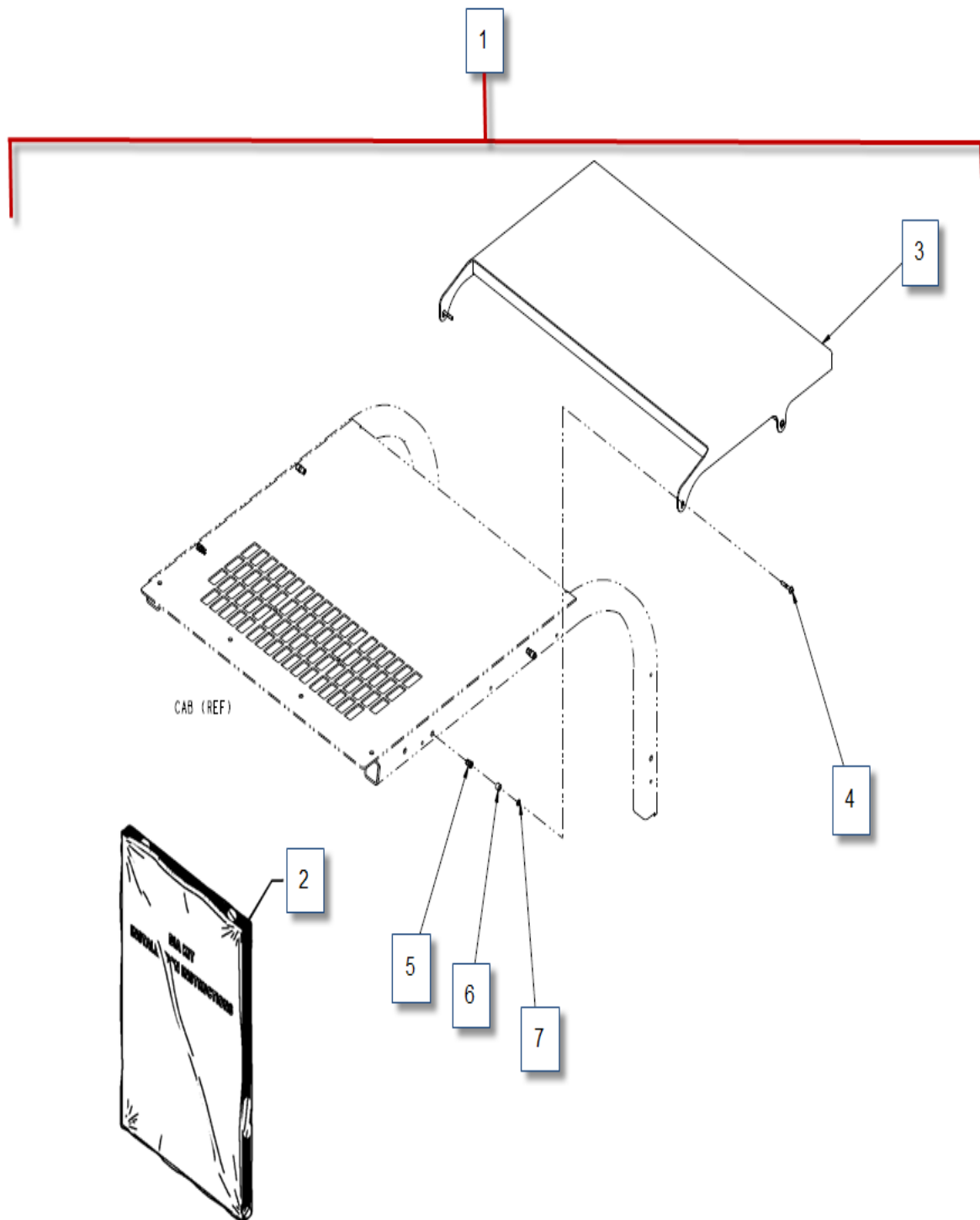
p2

9/2020

KIT, GLASS FRONT DOOR



KIT, F.O.P.S. LEVEL 2 MODIFICATION



88.100.090

14

p1

9/2020

KIT, INTERIOR TRIM CASE EURO

ART

NOT

AVAILABLE

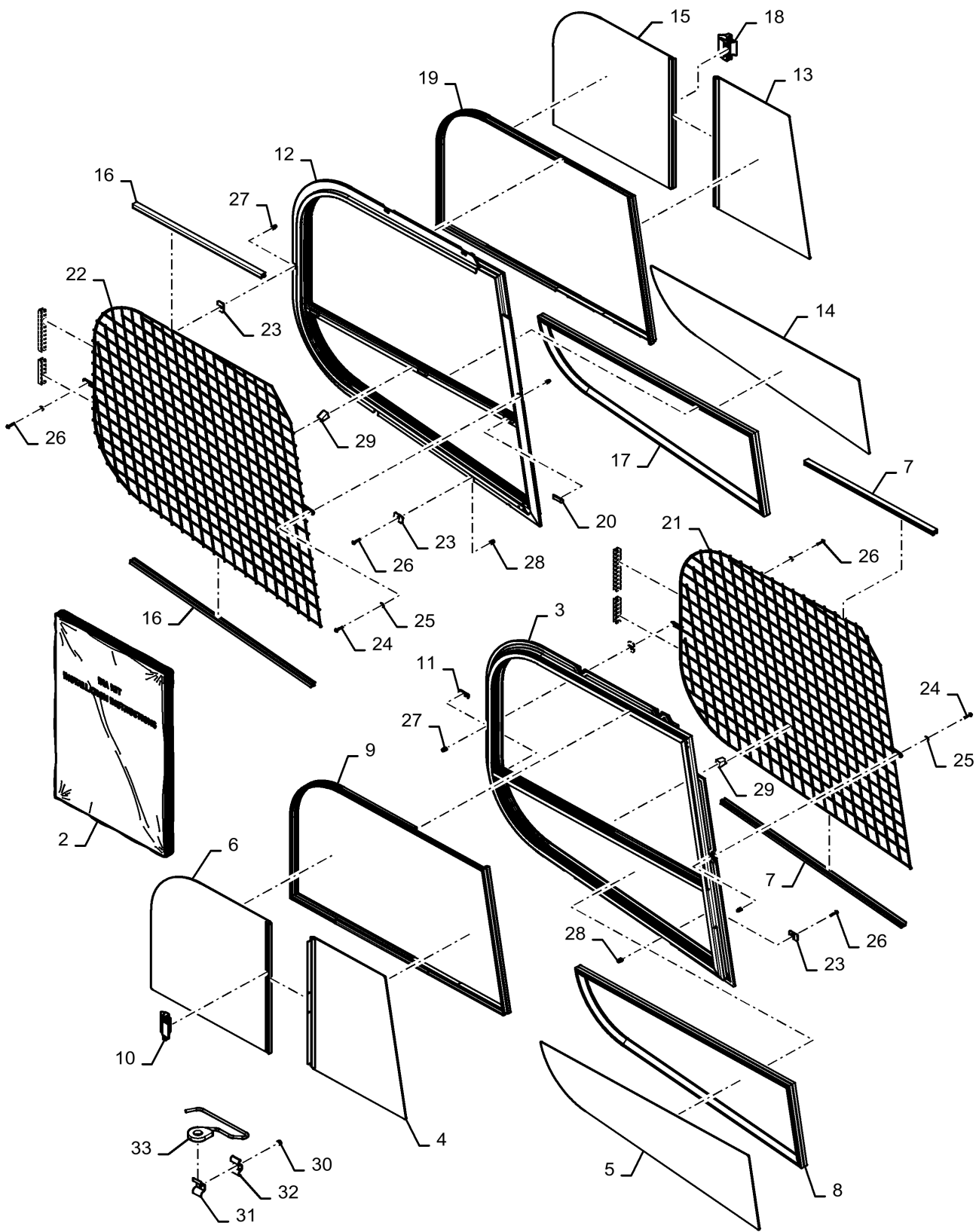
88.100.090

22

p1

9/2020

DIA KIT, CAB SIDE WINDOW



1

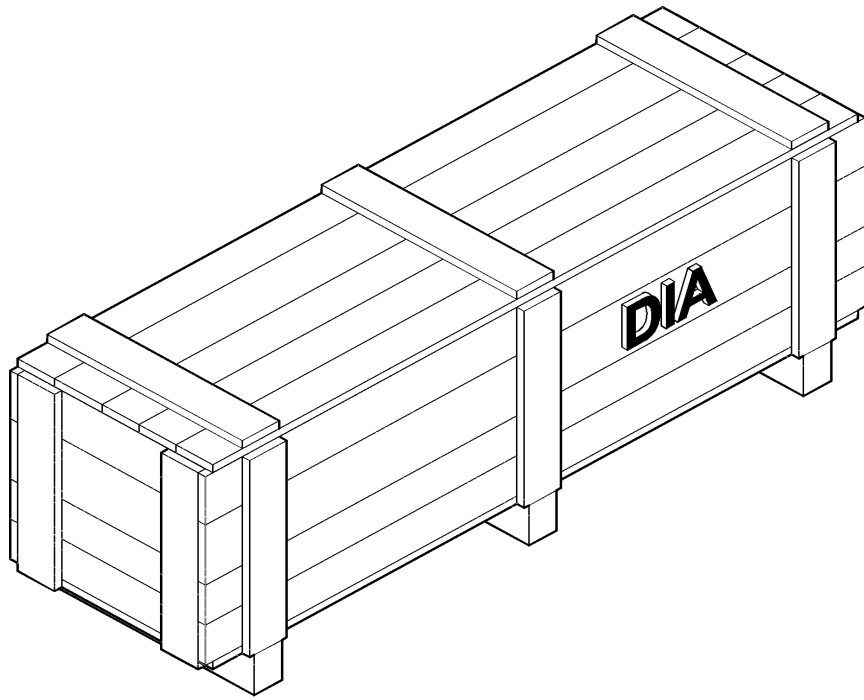
88.100.090

28

p1

9/2020

DIA KIT, RADIO



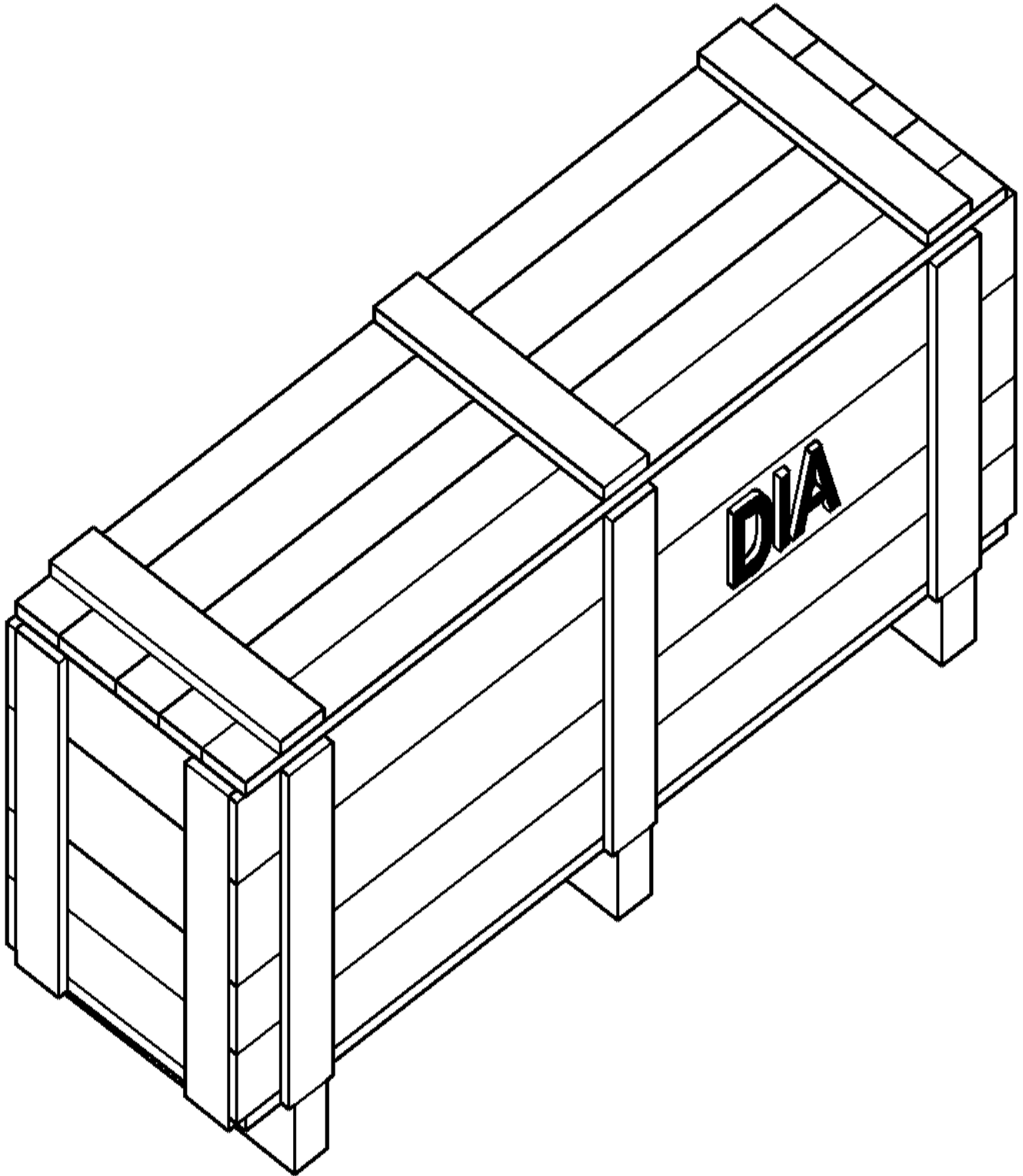
88.100.090

31

p3

9/2020

DIA KIT FOOT CONTROLS T4

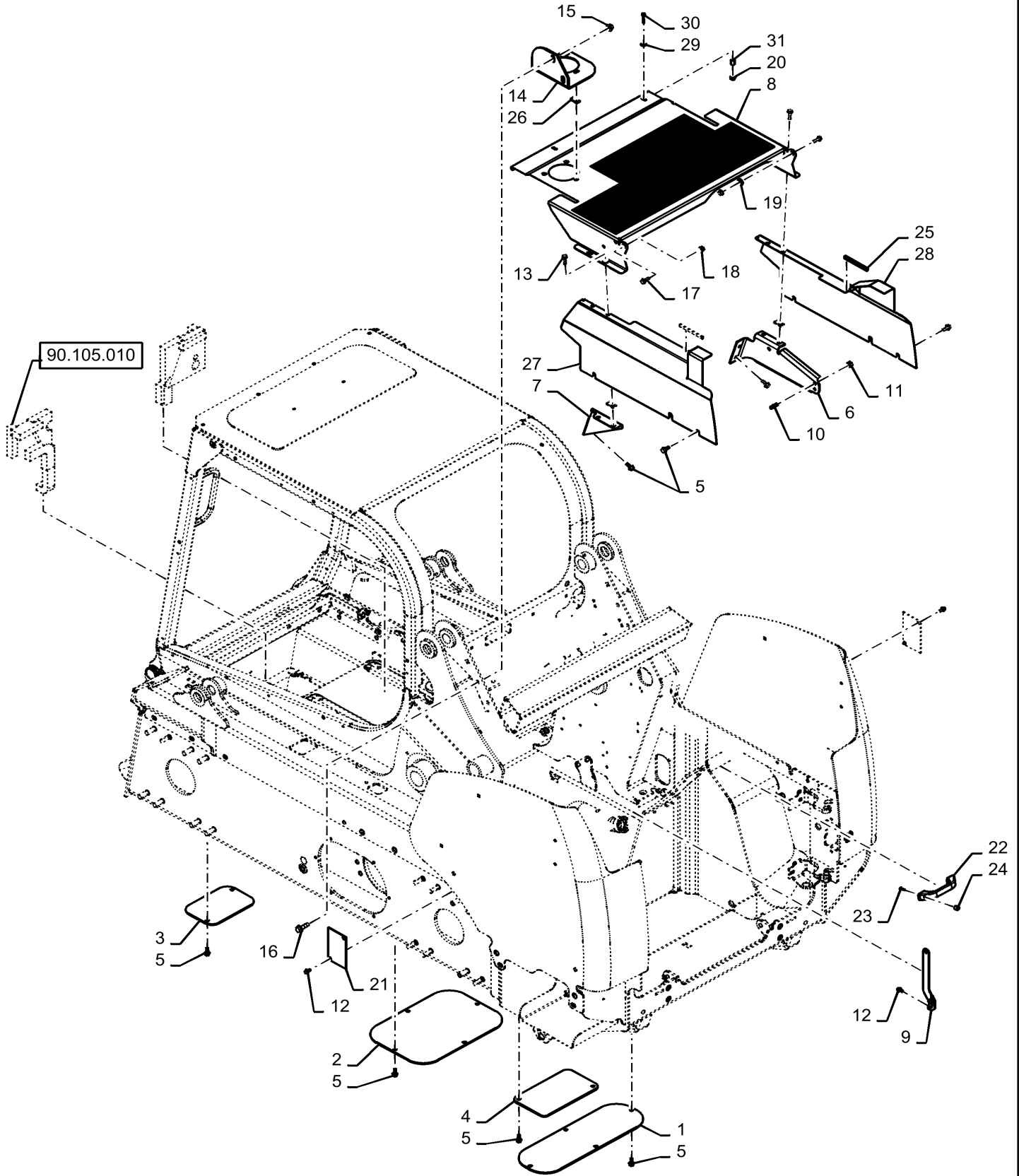


90.100.030

p1

9/2020

HOOD, COVER

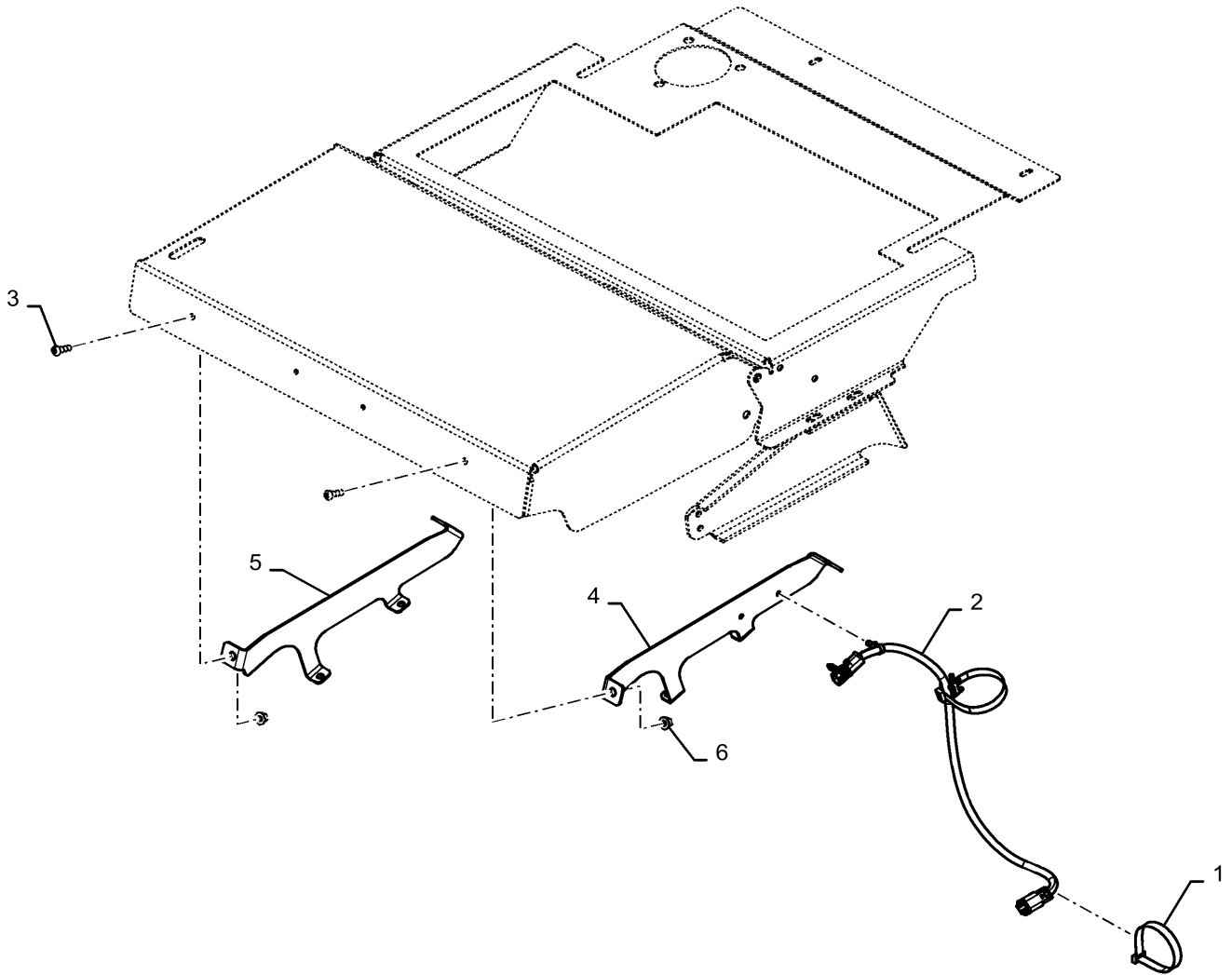


90.100.080

p1

9/2020

HOOD BRACKET WITH HAVC

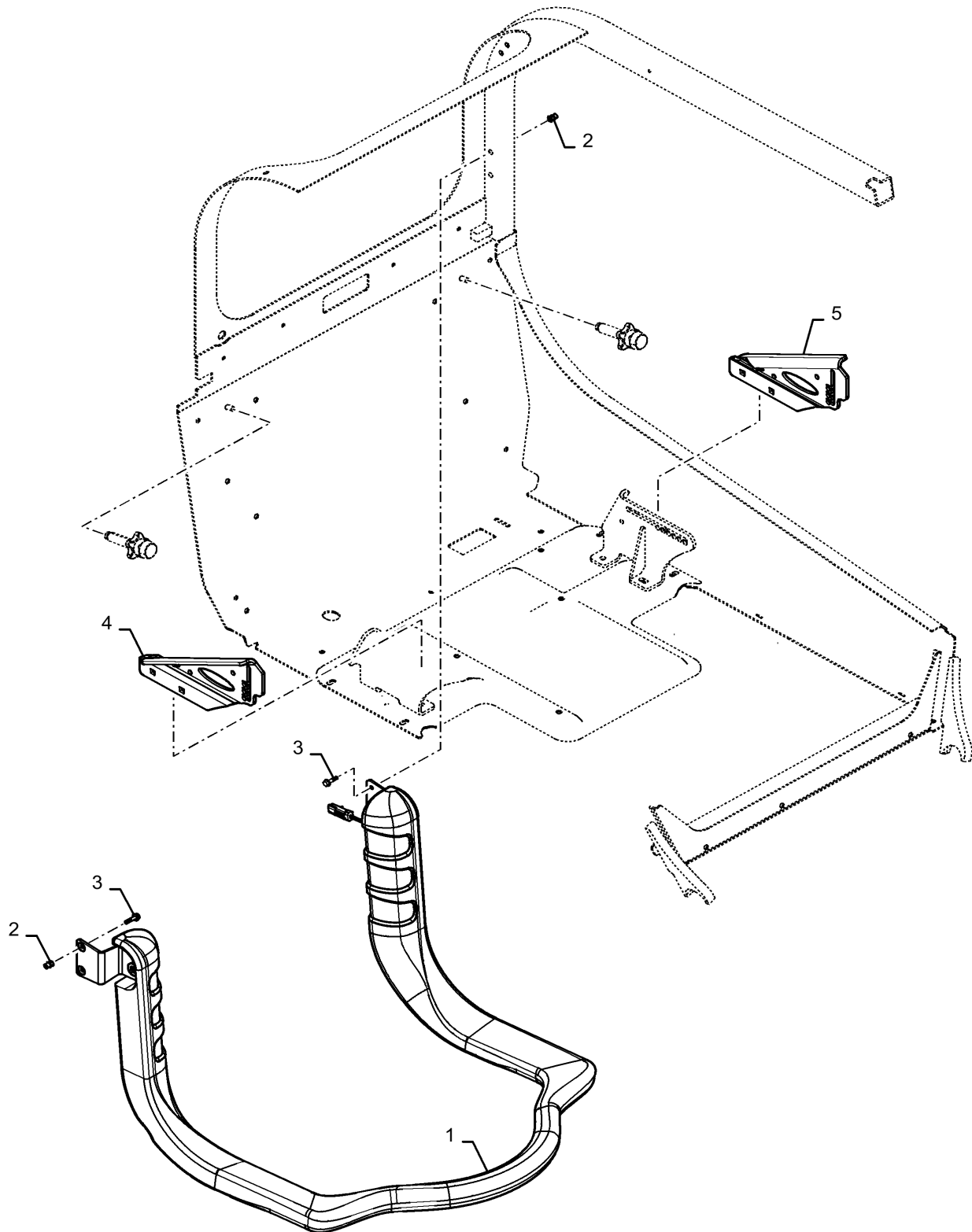


90.114.010

p1

9/2020

LAP BAR SAFETY DEVICE



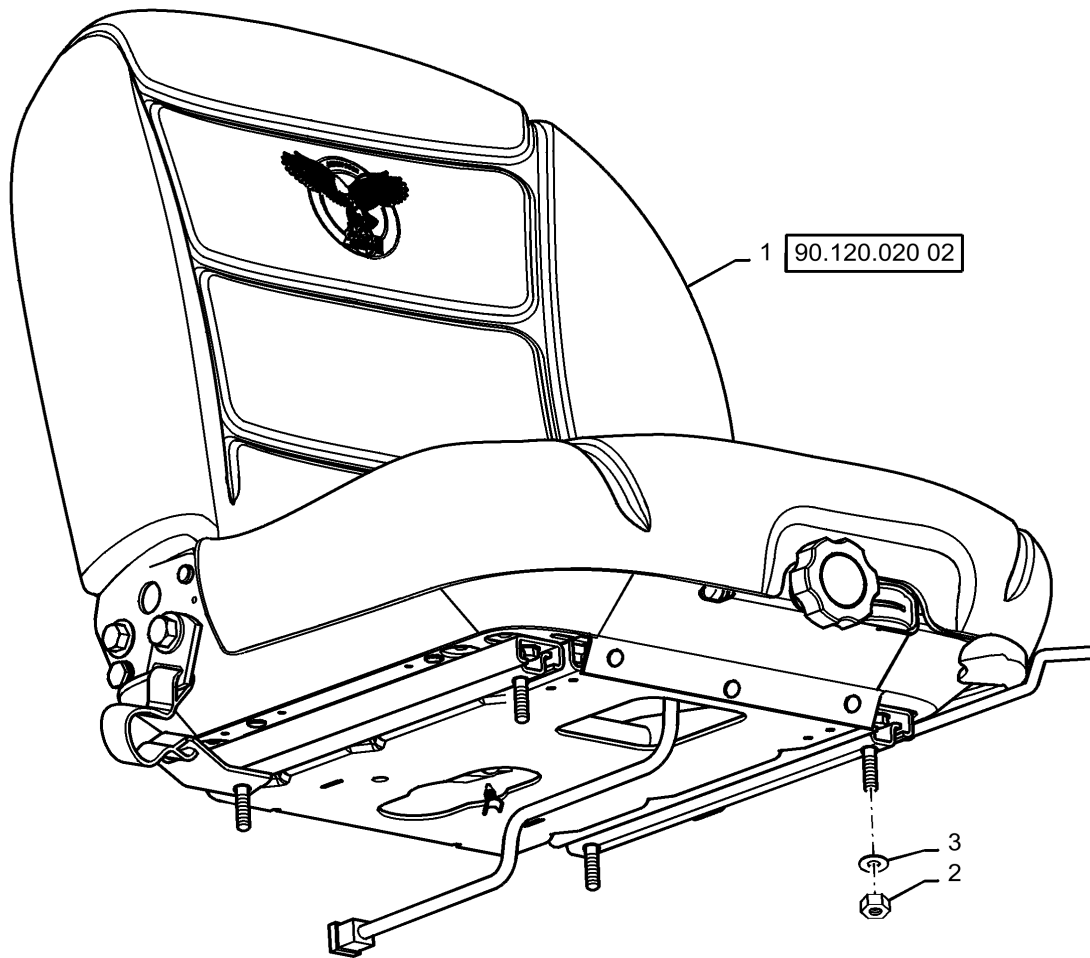
90.120.020

01

p1

9/2020

SEAT, SUSPENSION, MOUNTING

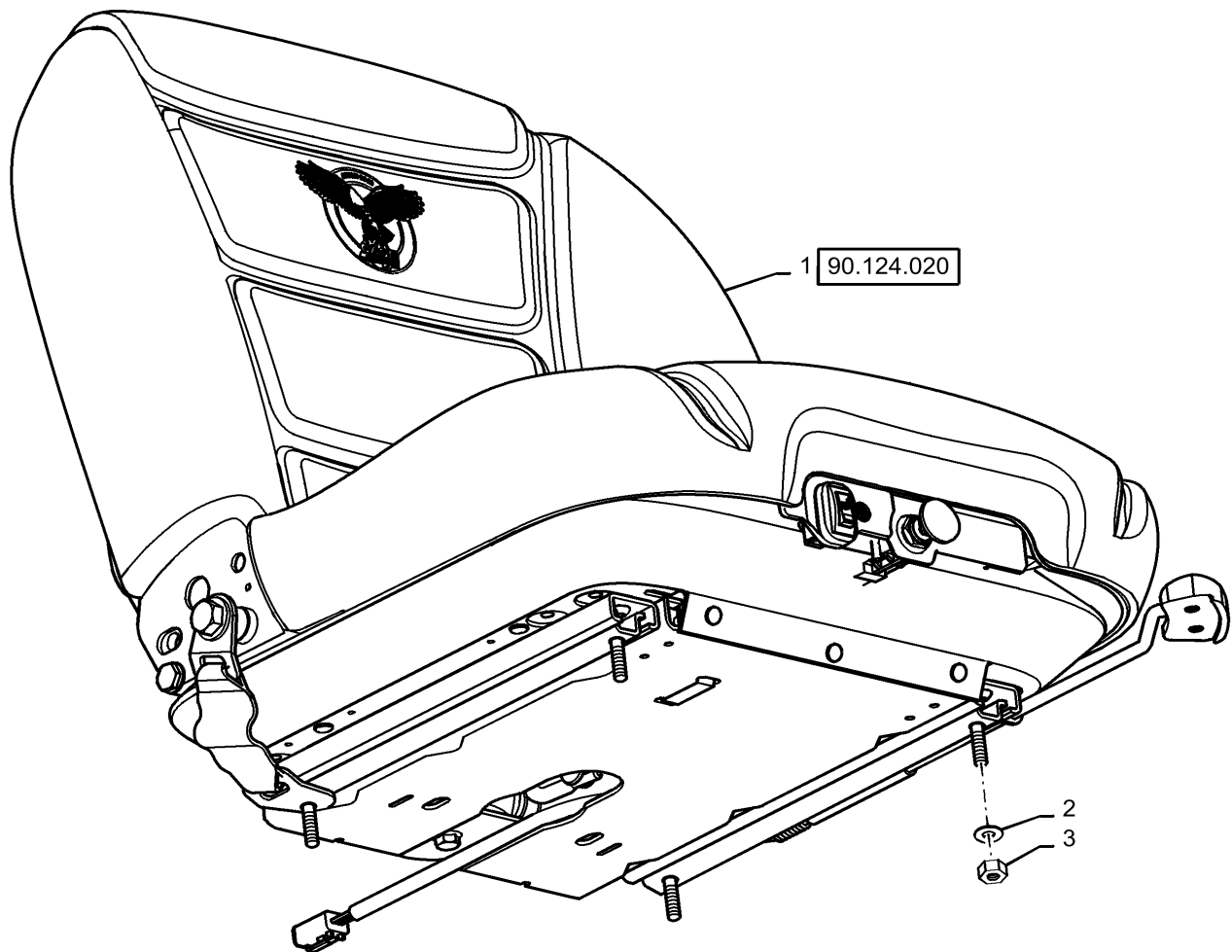


90.124.010

p1

9/2020

SEAT, AIR SUSPENSION, MOUNTING

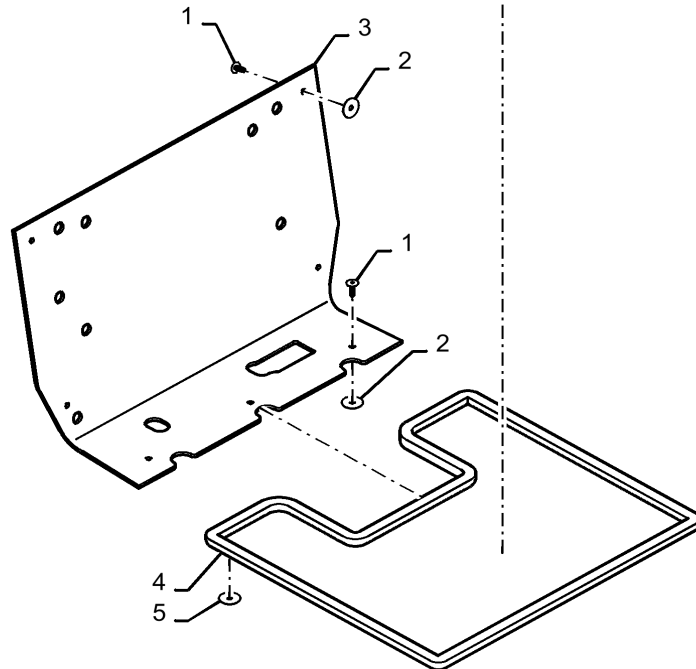
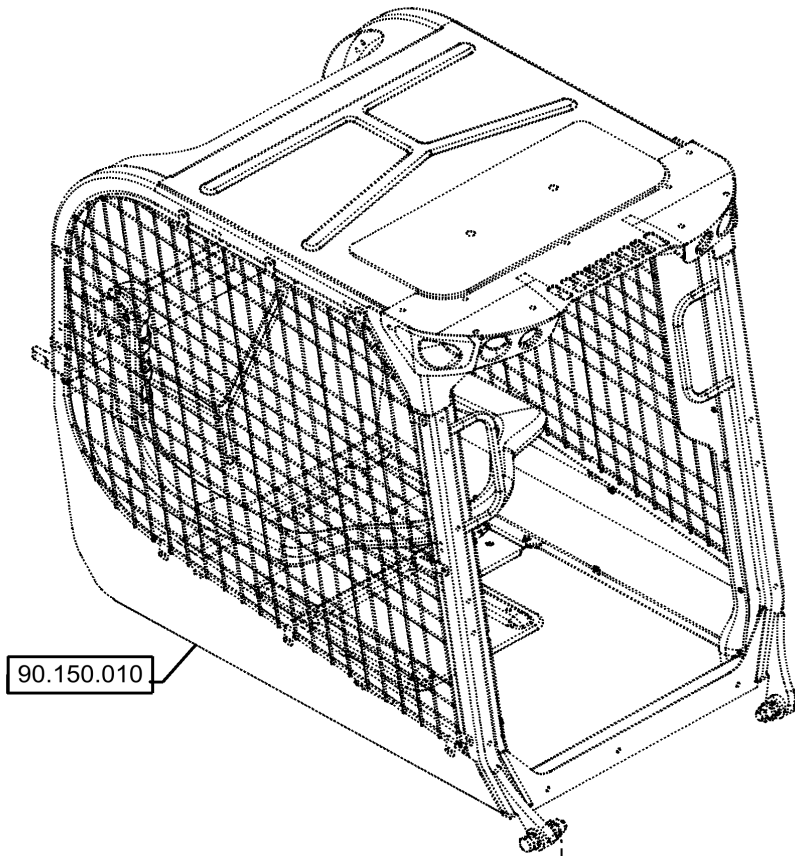


90.150.020

p1

9/2020

CAB SEAL

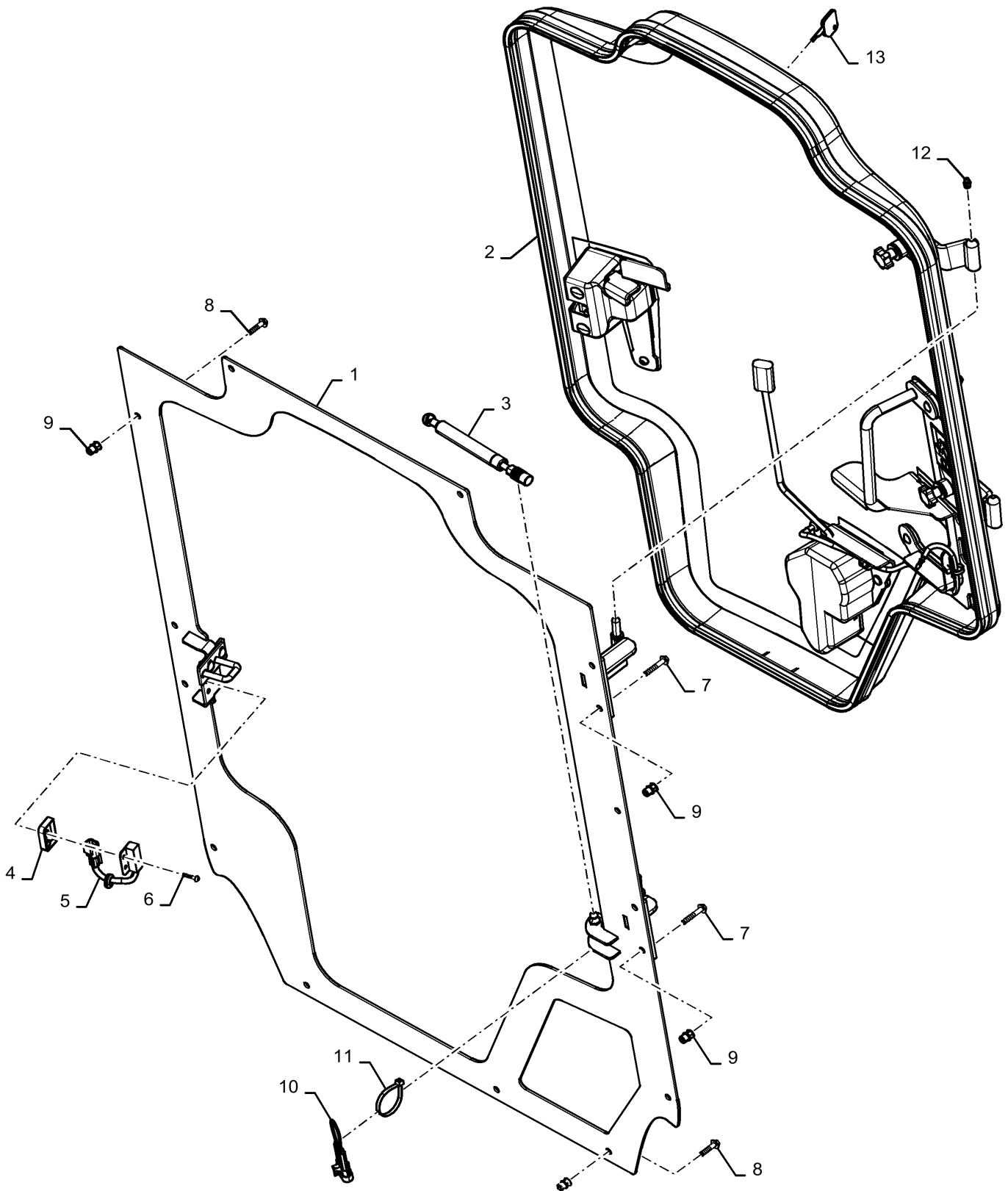


90.154.010

p1

9/2020

DEMO, FRONT DOOR

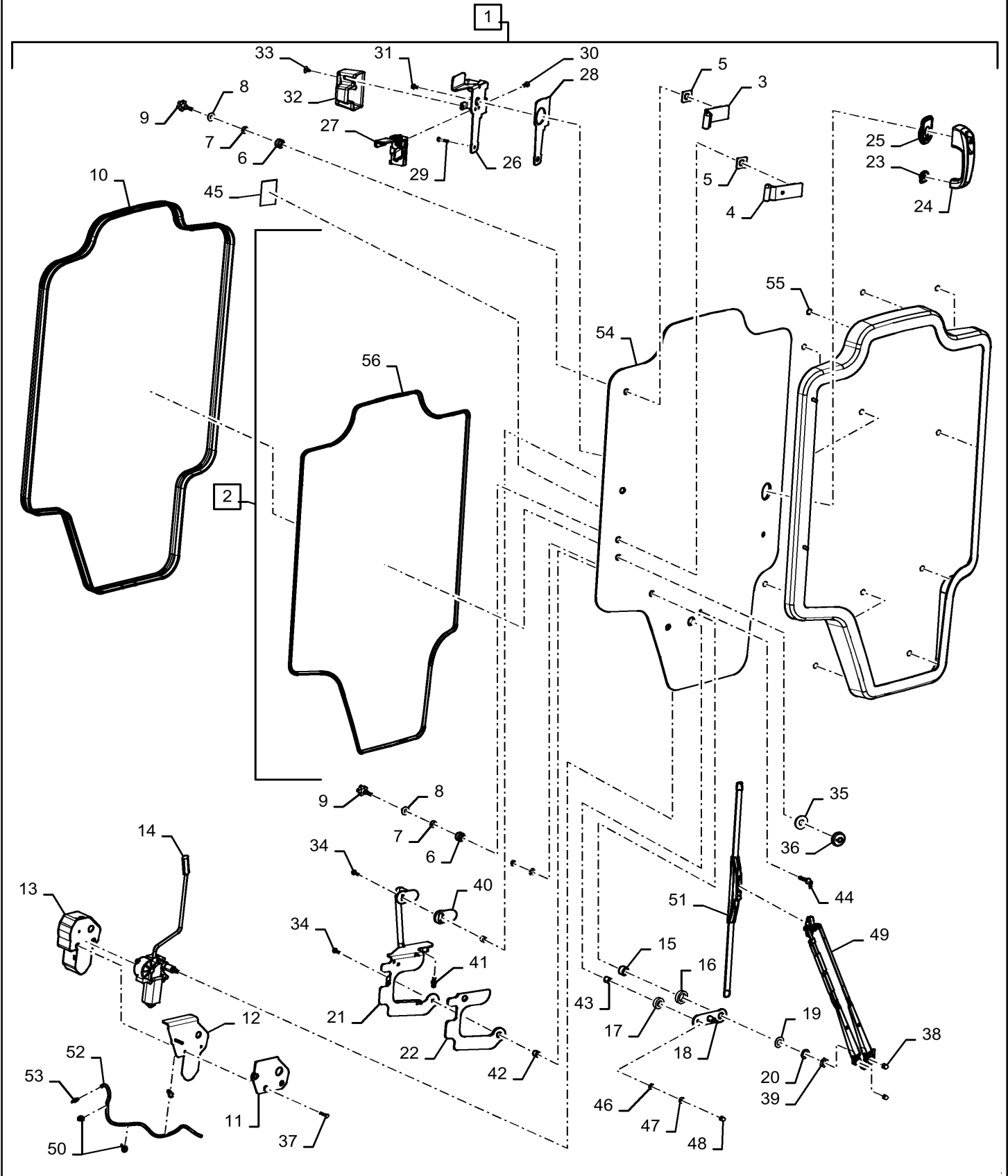


90.154.020

p1

9/2020

FRONT DOOR COMPONENTS

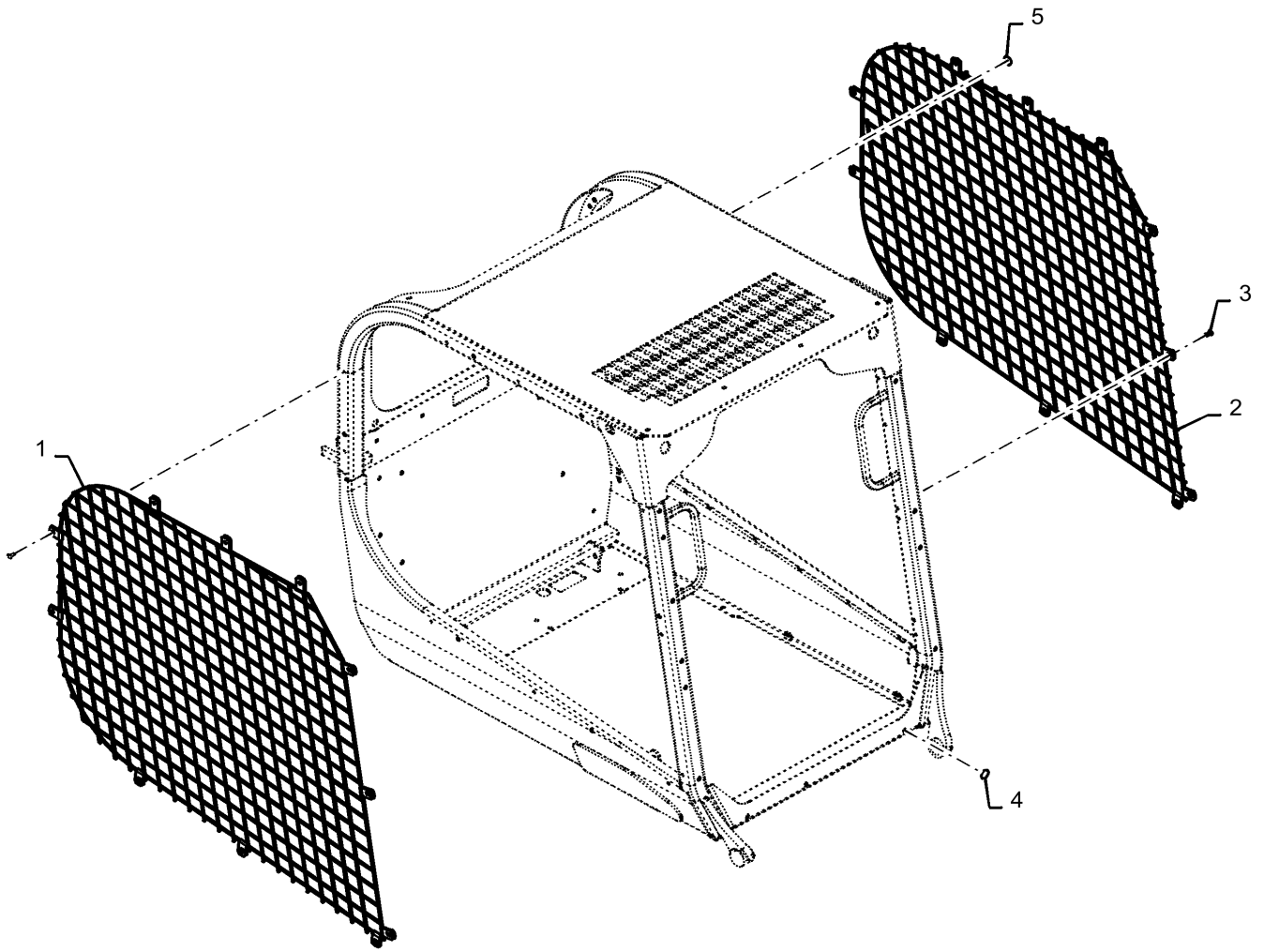


90.156.010

p1

9/2020

NO SIDE WINDOW

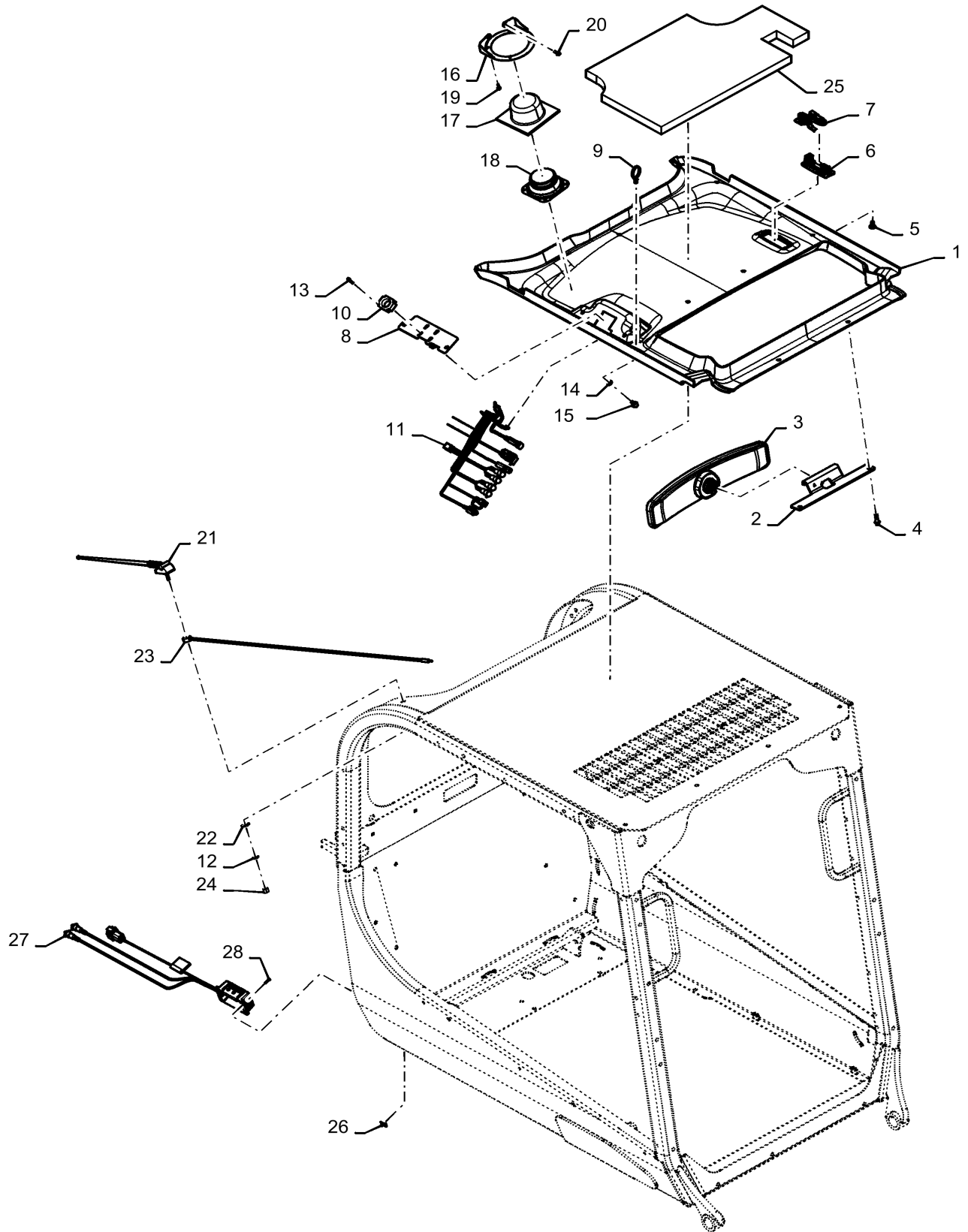


90.160.020

p1

9/2020

HEADLINER WITH RADIO

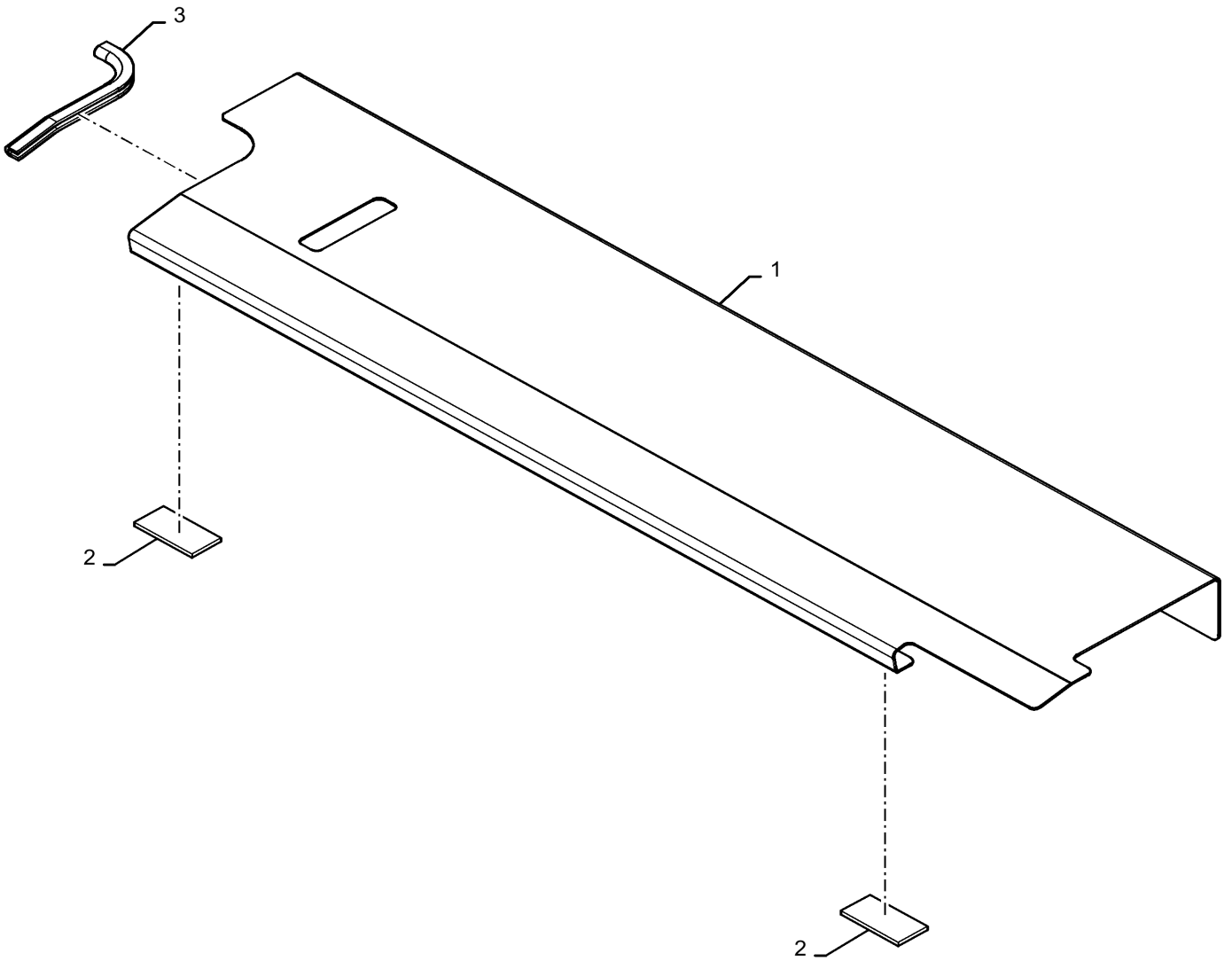


90.160.070

p1

9/2020

OPEN CAB TRIM

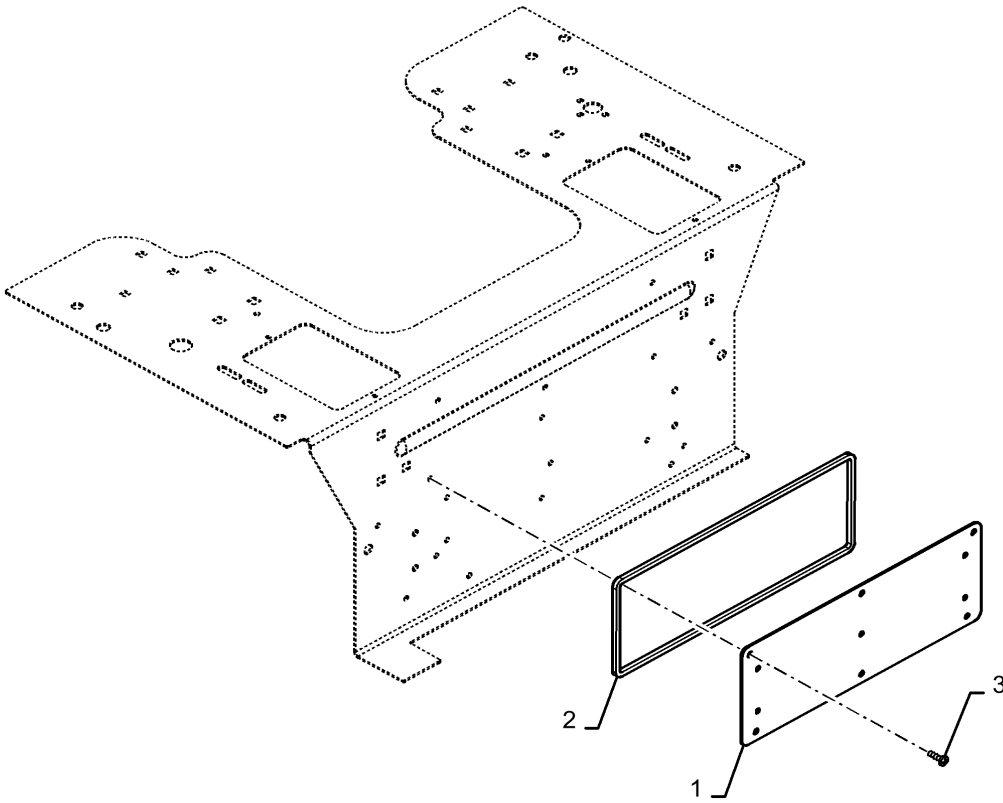


90.160.090

p1

9/2020

FUSE, COVER

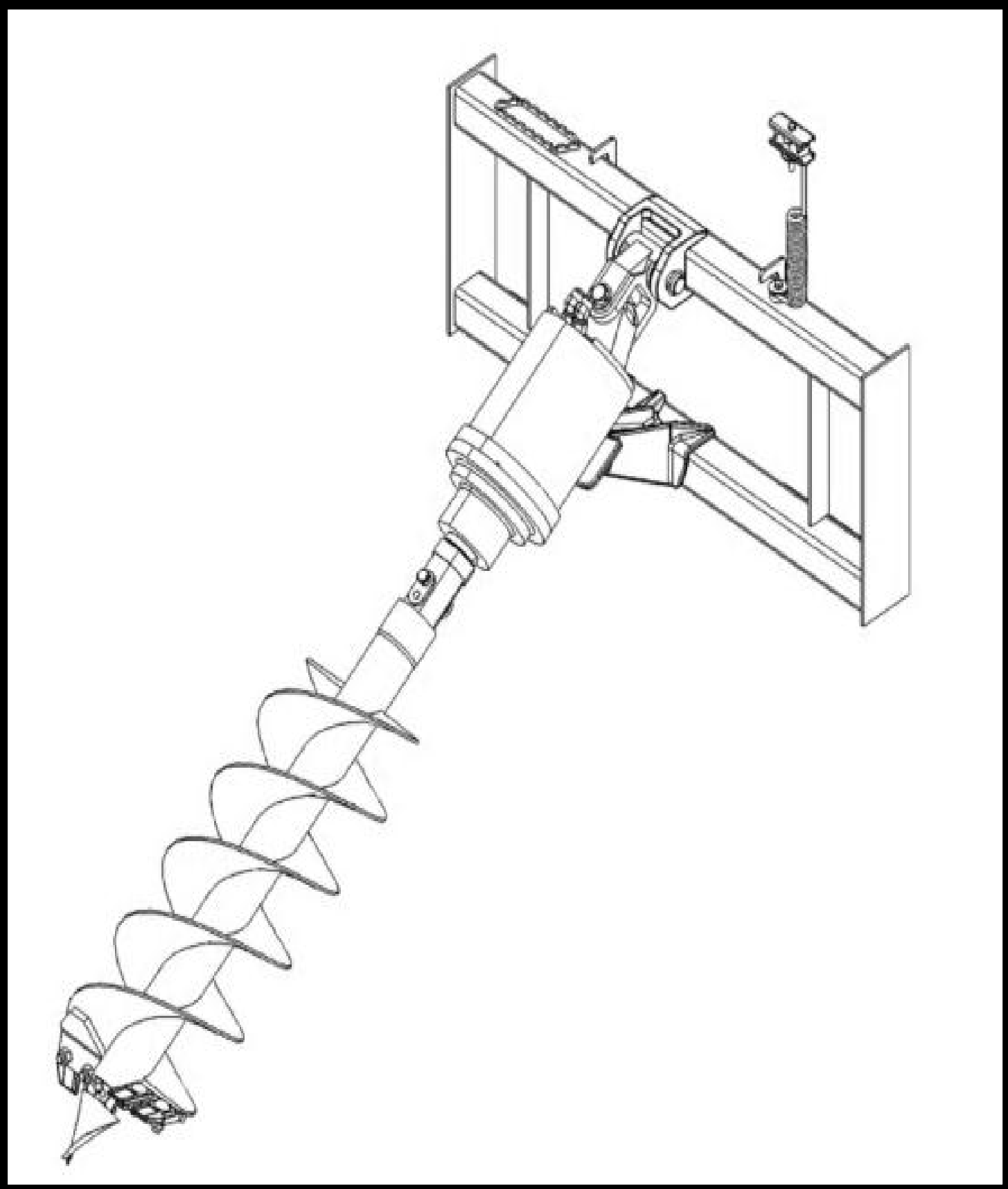


95.100.150

p4

9/2020

AUGER DRIVE



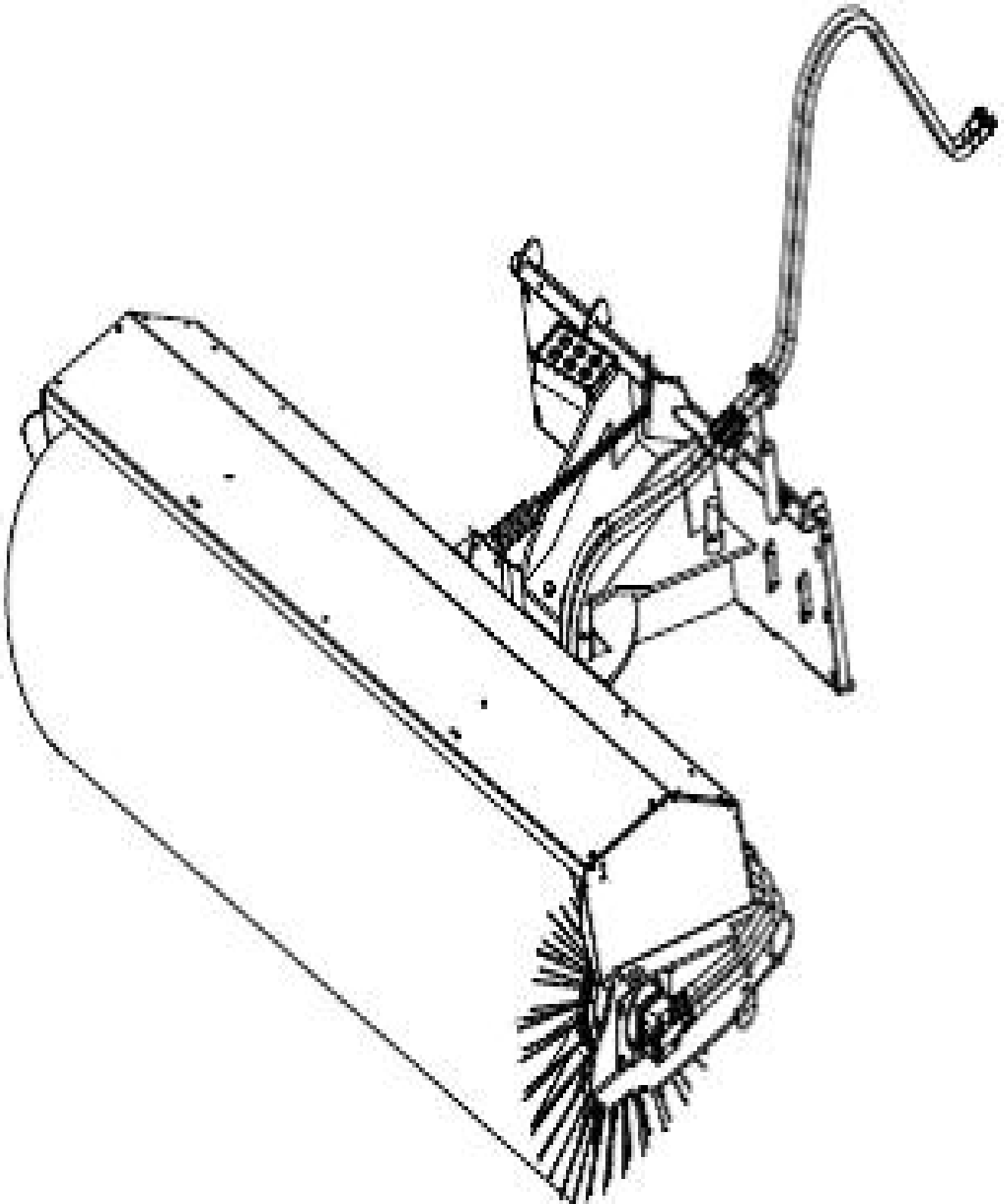
95.100.155

01

p1

9/2020

ANGLE, BROOM



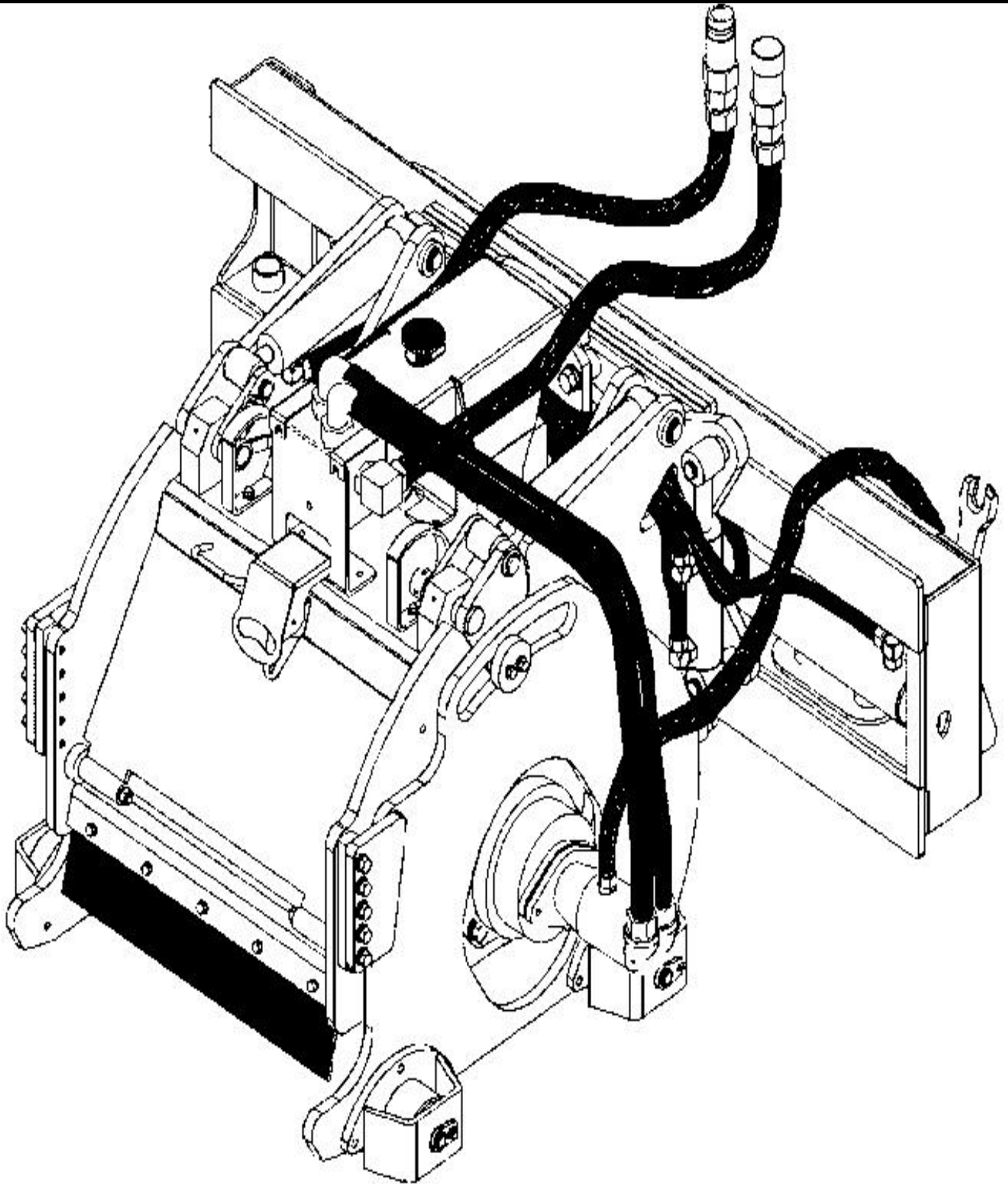
95.100.159

02

p2

9/2020

COLD, PLANER

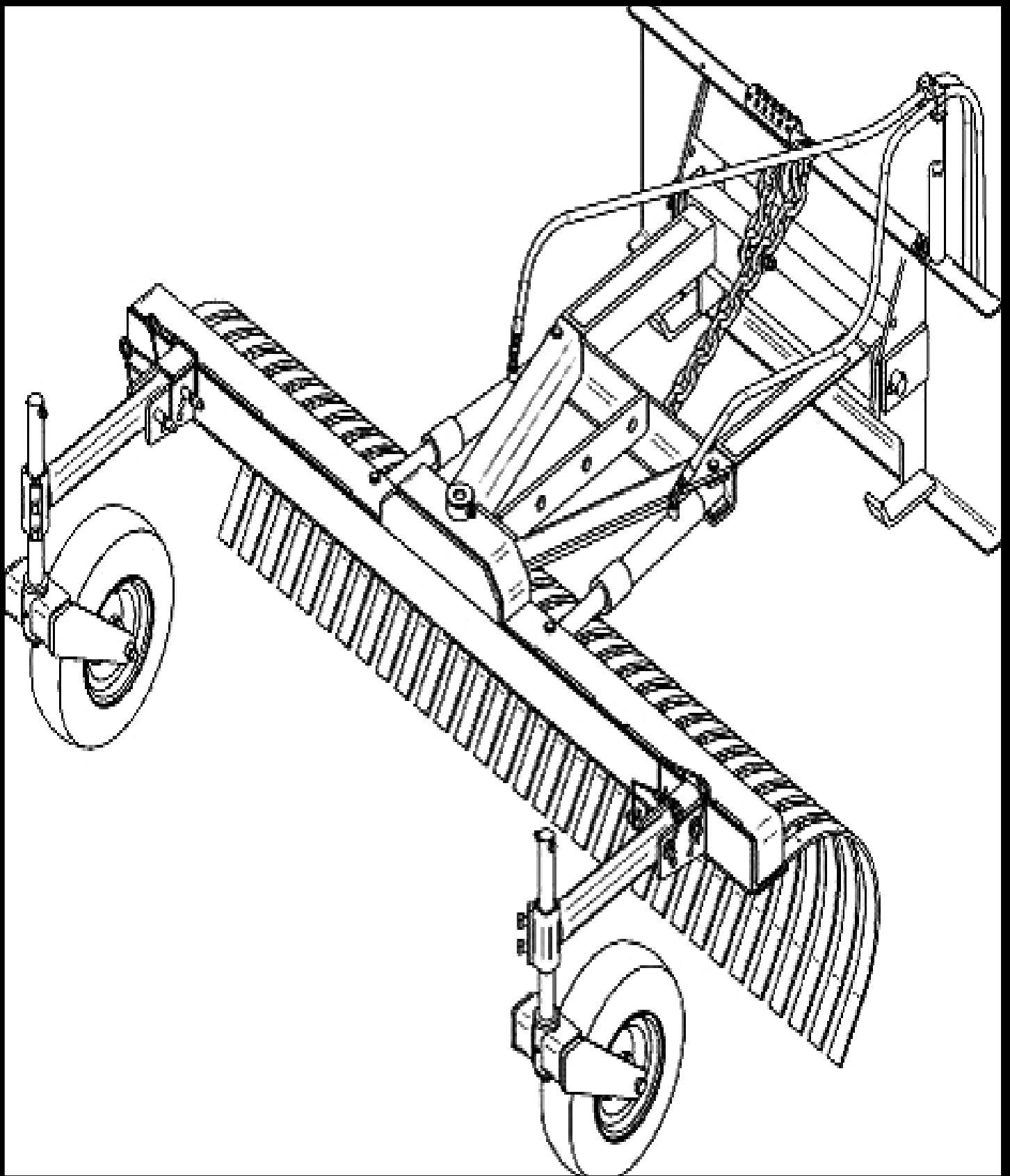


95.100.177

p1

9/2020

GRADER RAKE



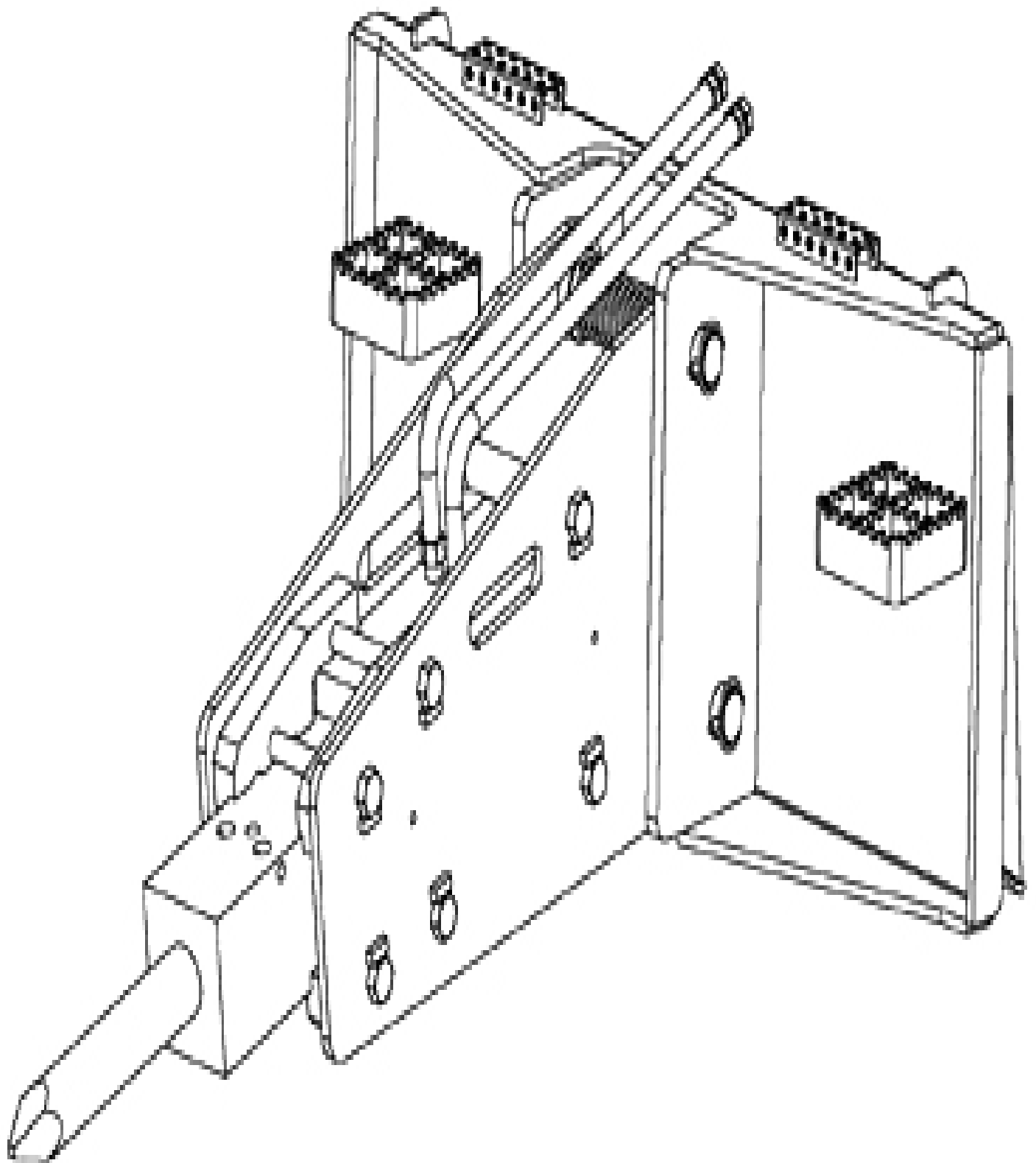
95.100.182

01

p1

9/2020

HAMMER, HYDRAULIC



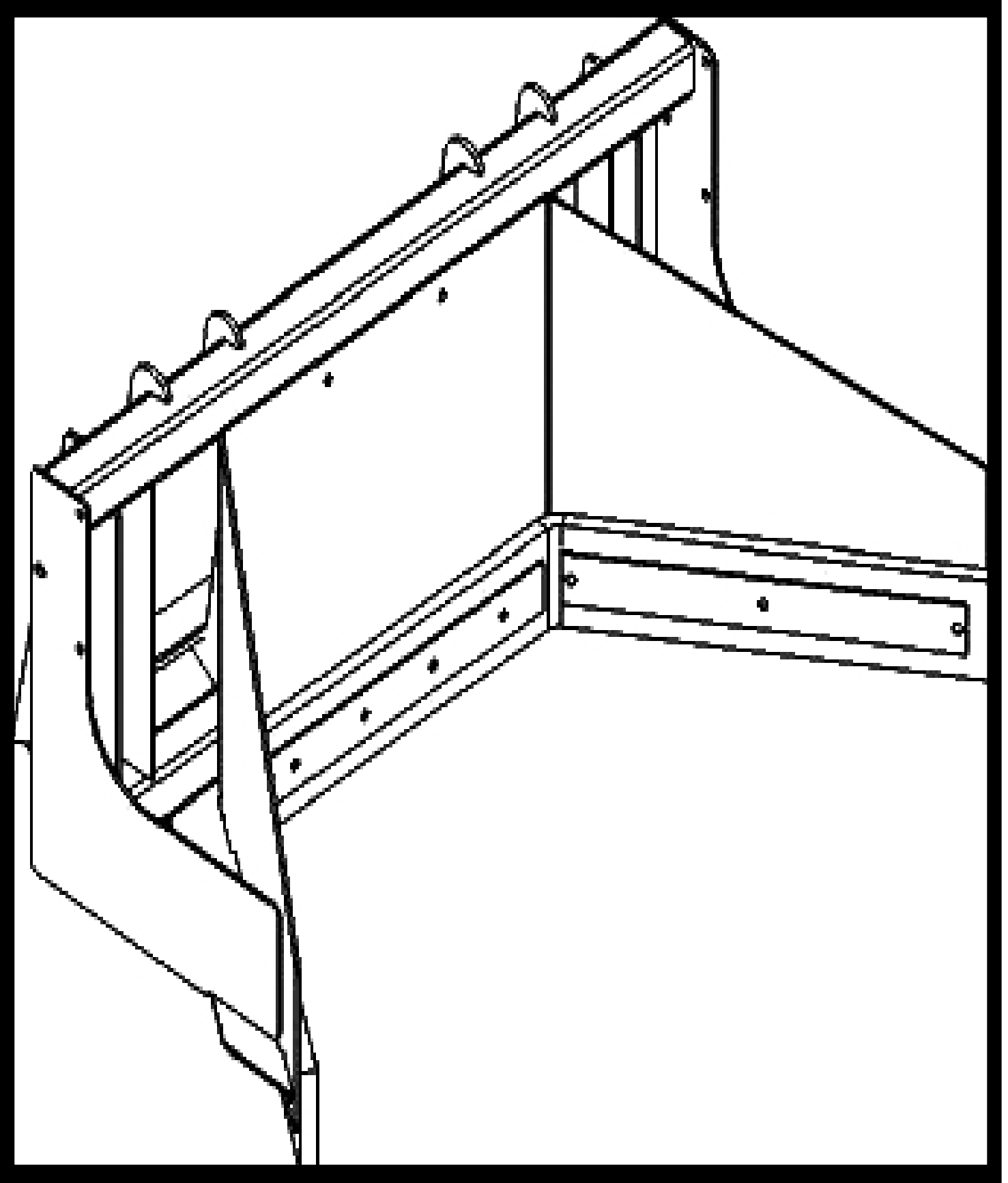
95.100.186

01

p1

9/2020

MANURE, SCRAPER



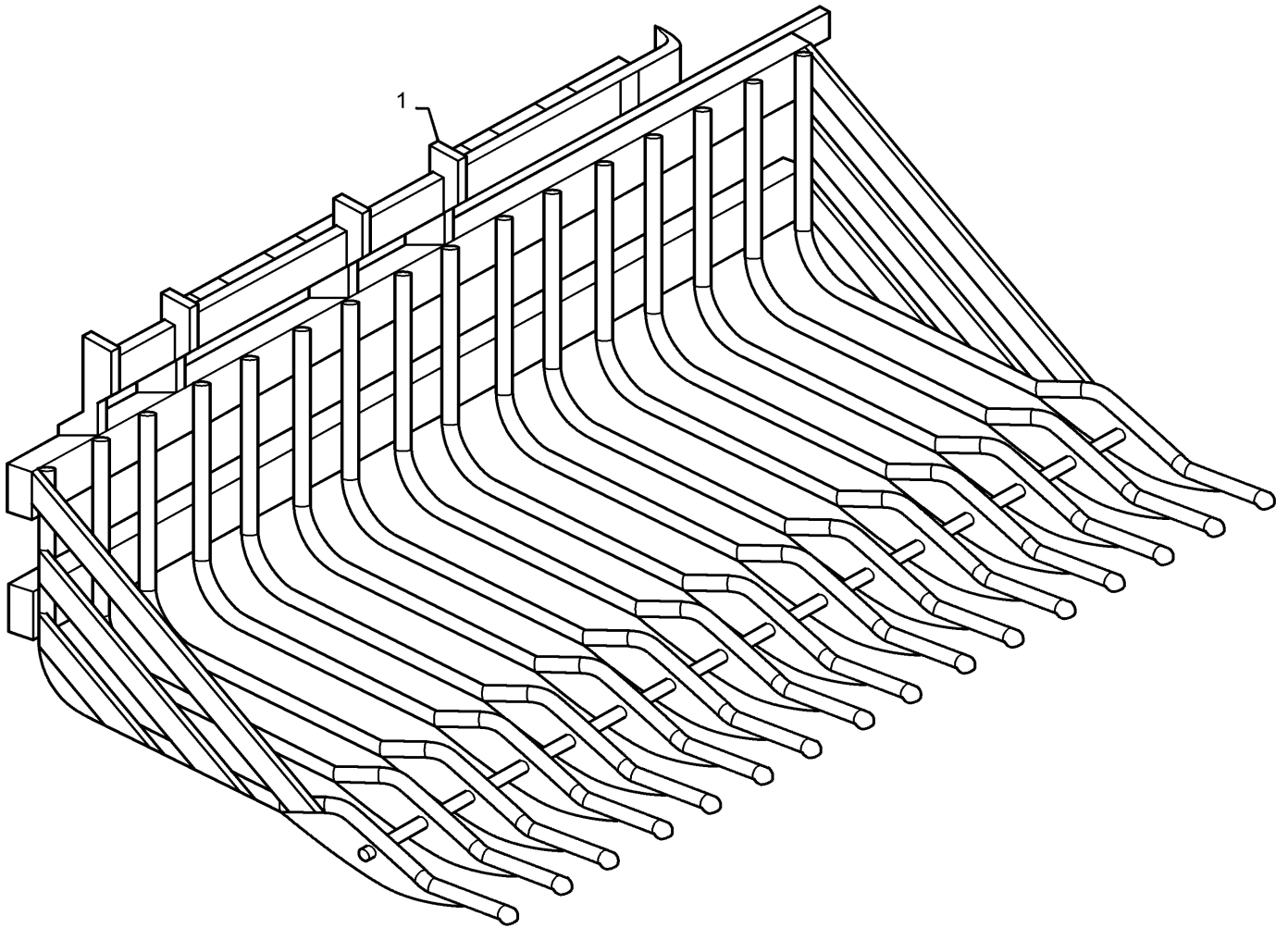
95.100.192

02

p1

9/2020

BUCKET, ROCK

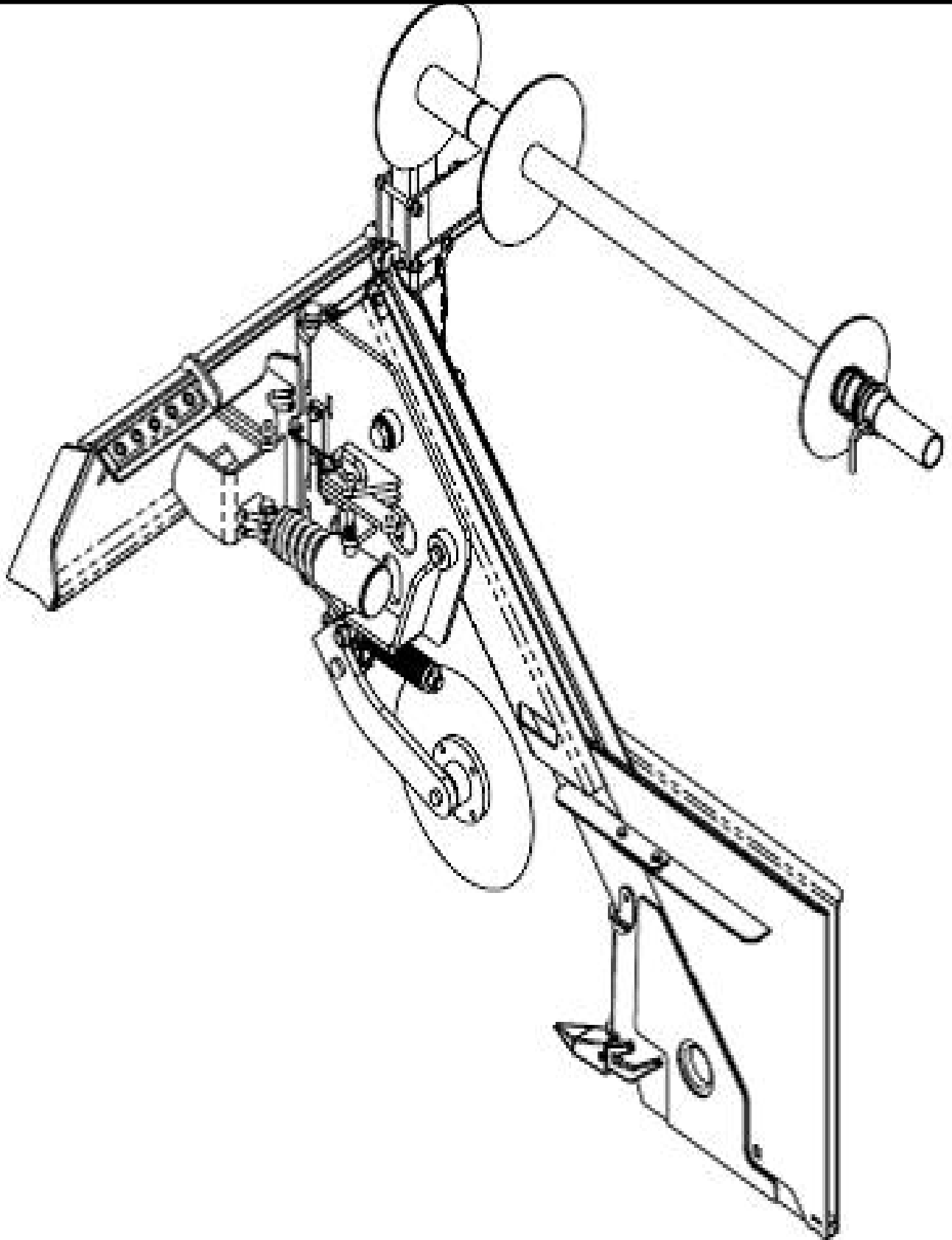


95.100.197

p1

9/2020

SILT FENCE INSTALLER



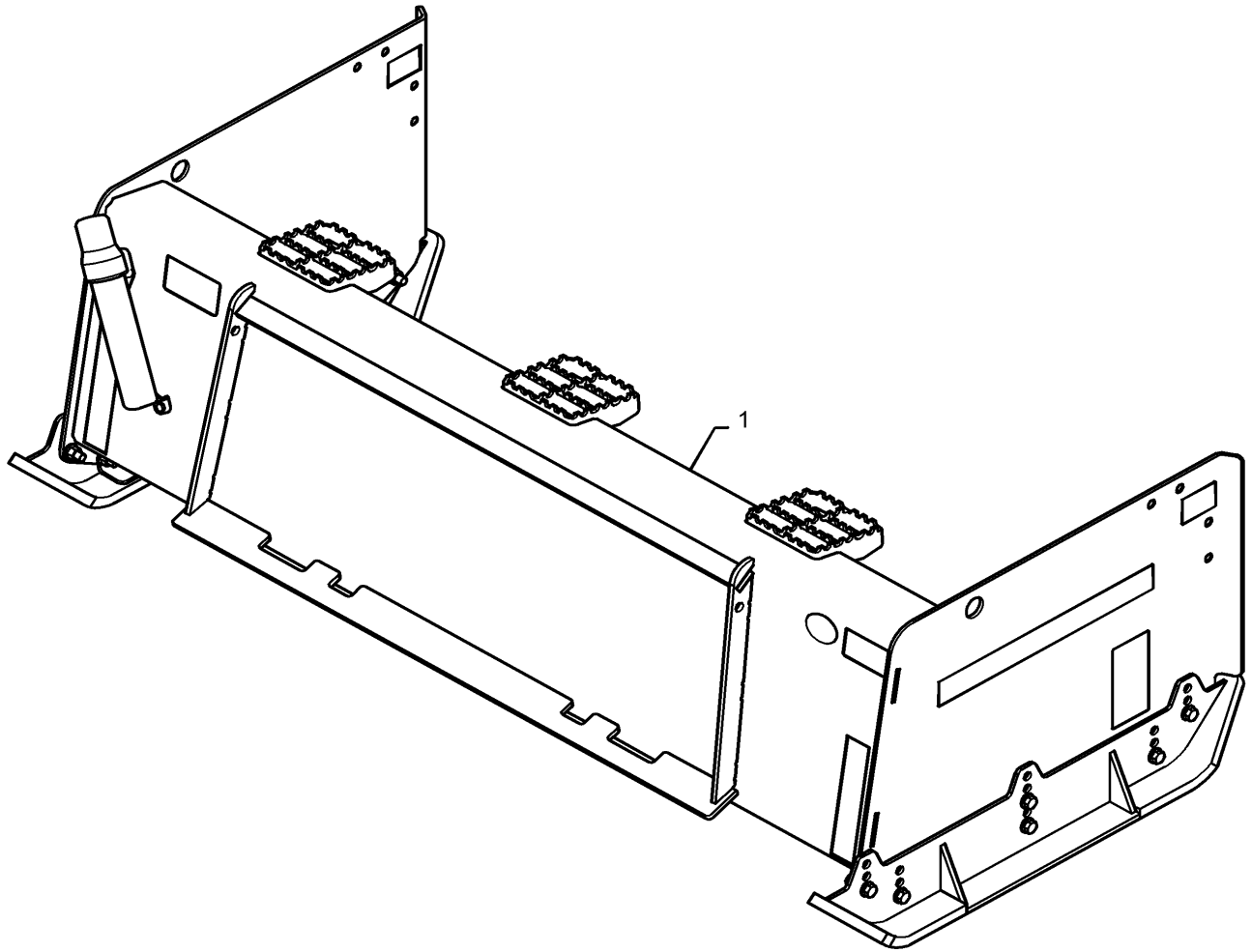
95.100.202

02

p1

9/2020

SNOW, PUSH



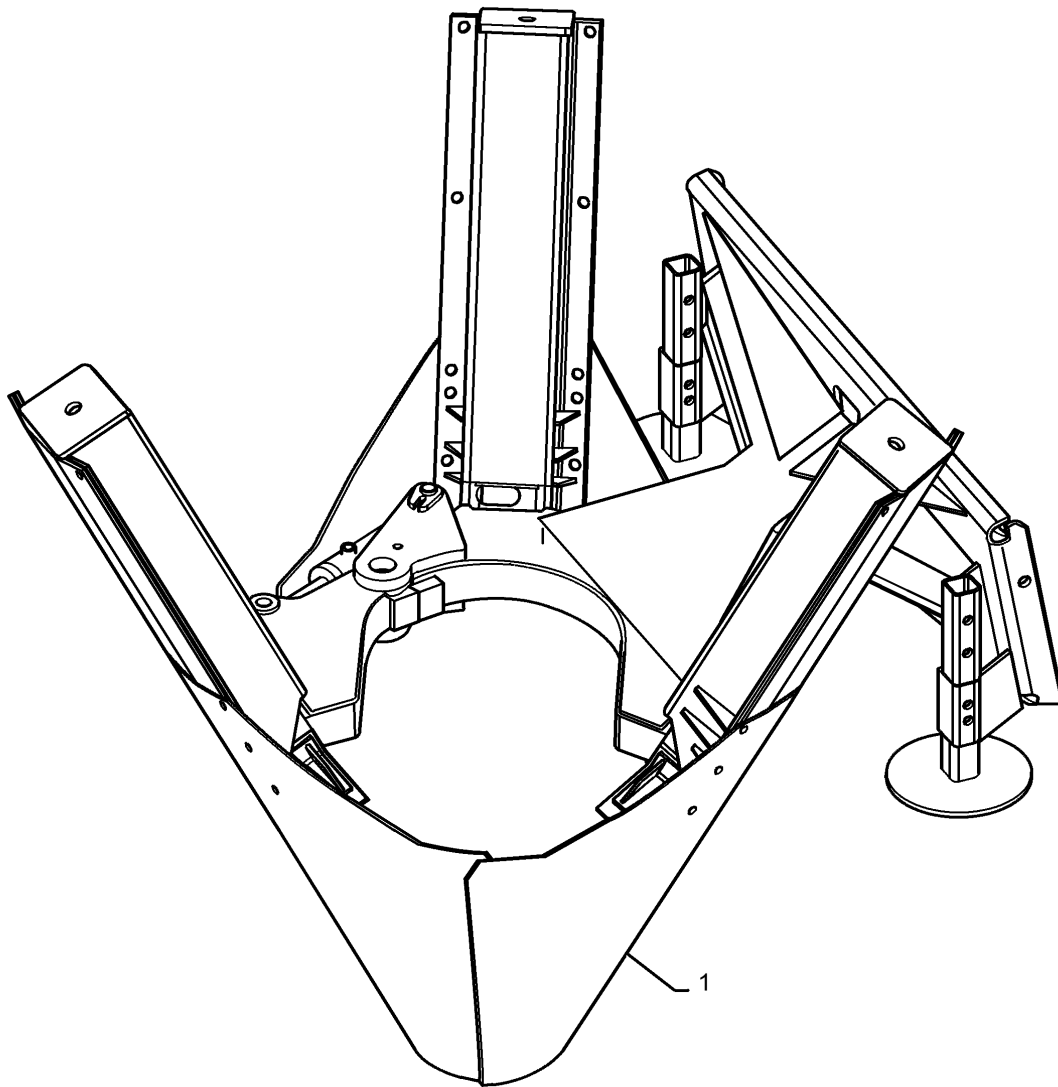
95.100.207

01

p1

9/2020

TREE, SHOVEL

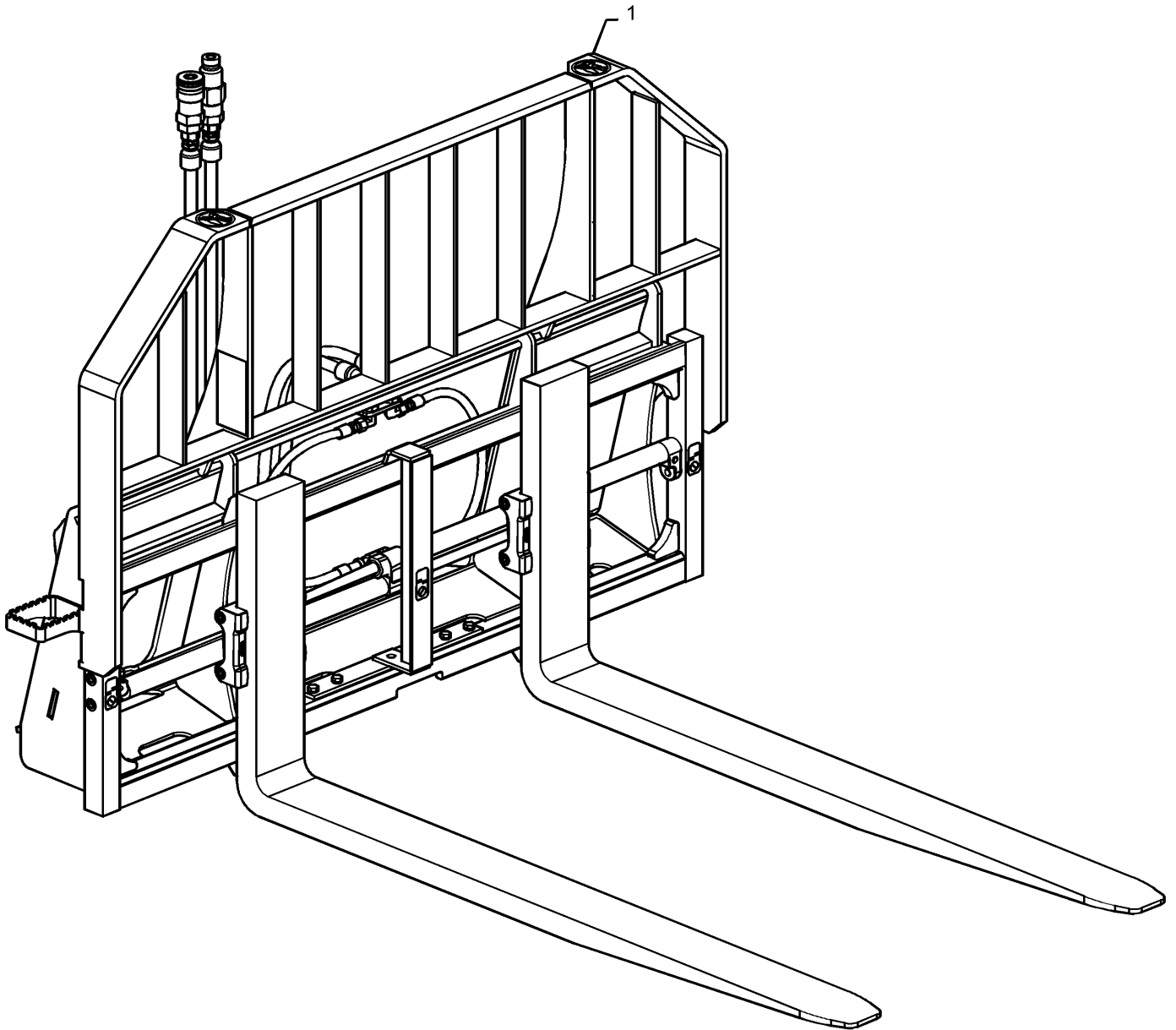


95.100.212

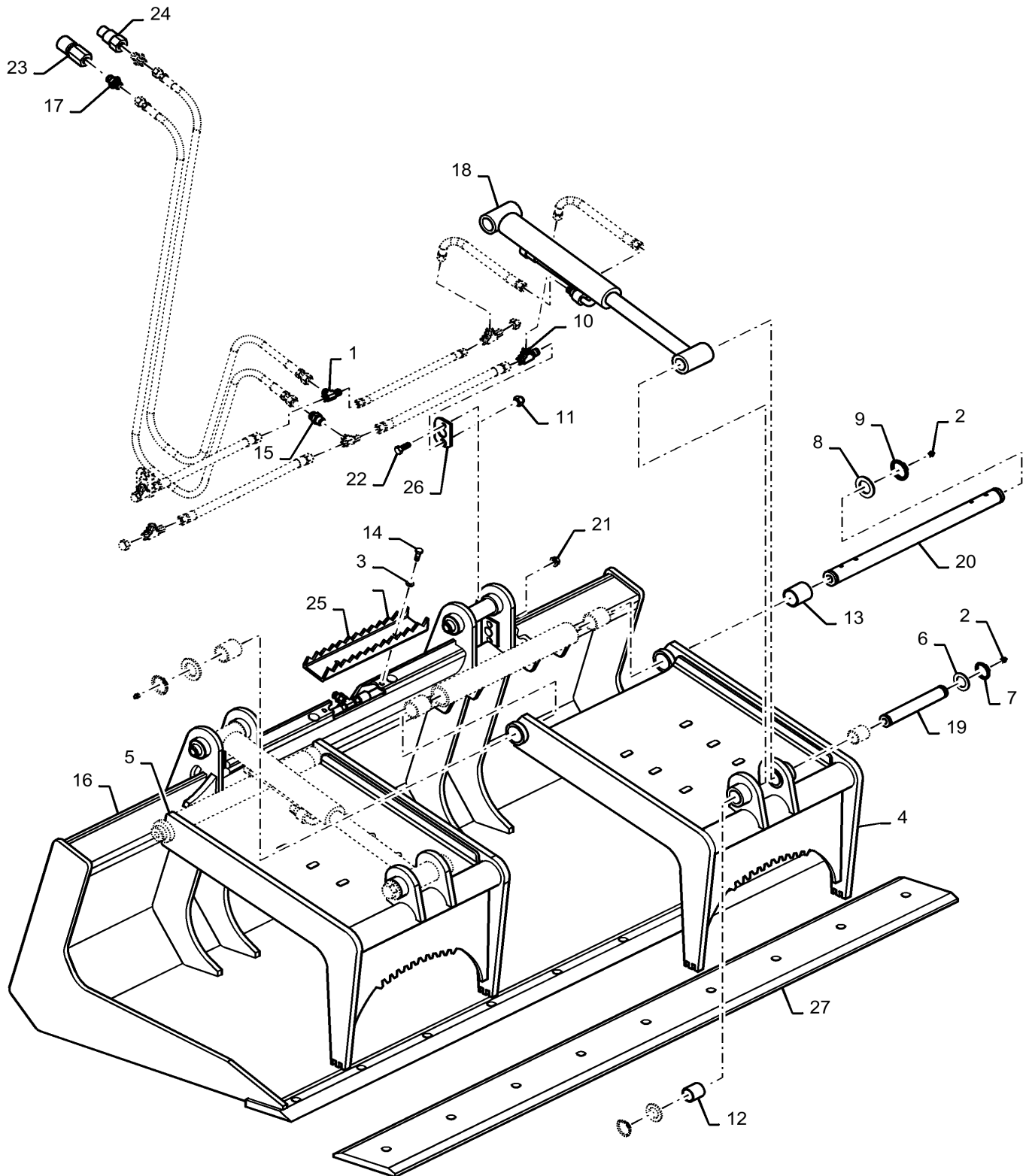
p1

9/2020

PALLET, FORKS



SCRAP, GRAPPLE



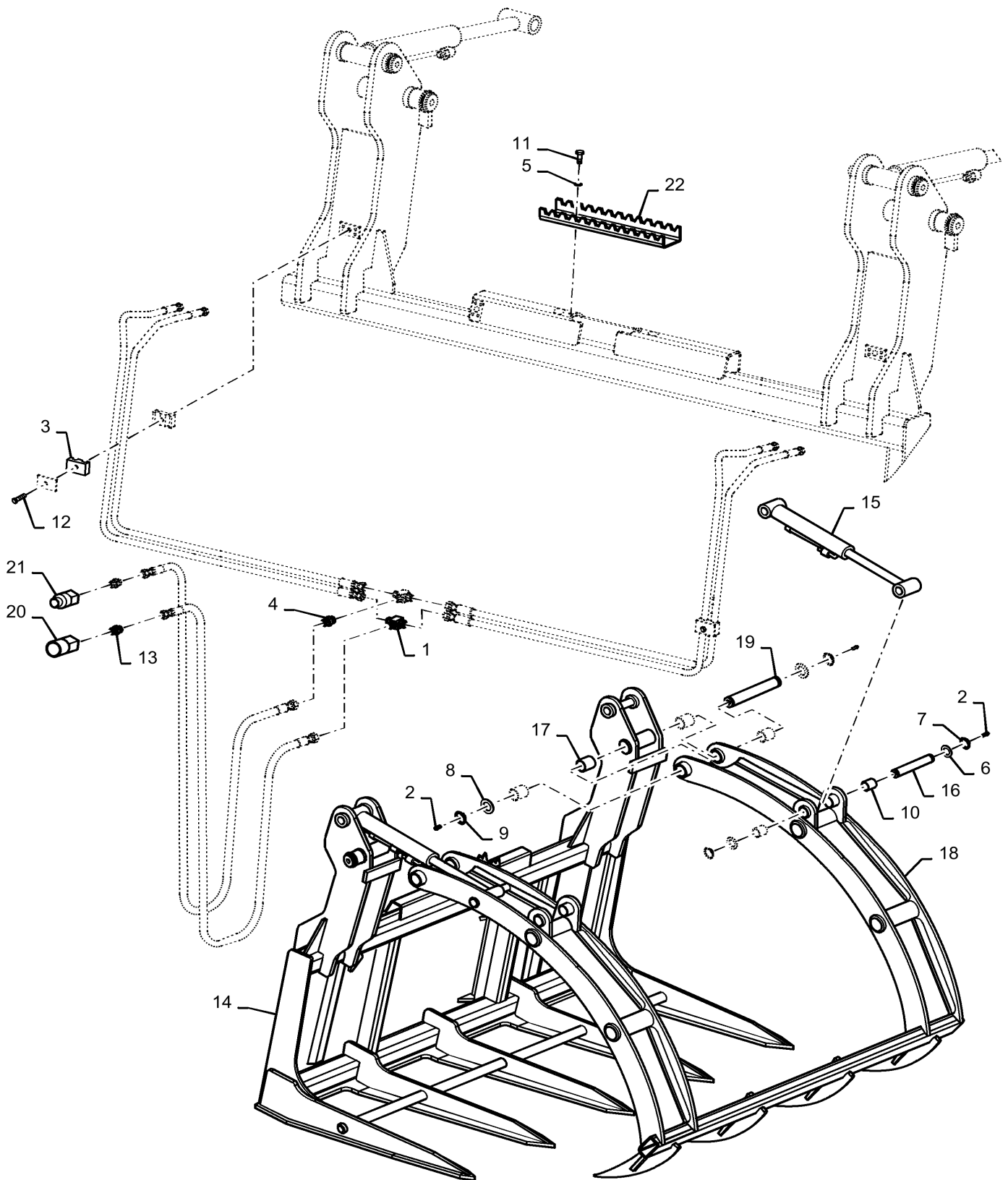
95.100.219

01

p1

9/2020

BIG BALE, SKELETON



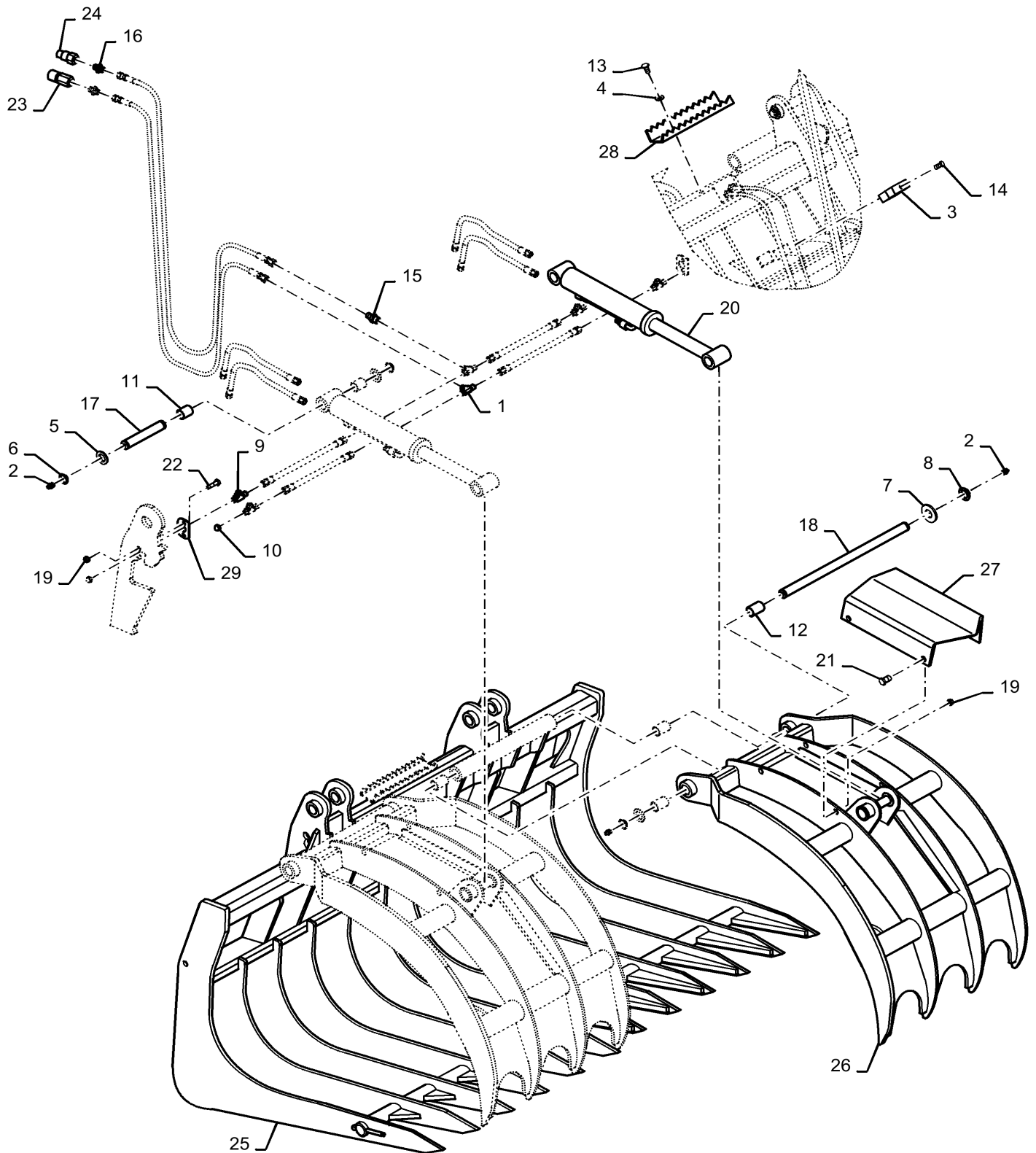
95.100.221

01

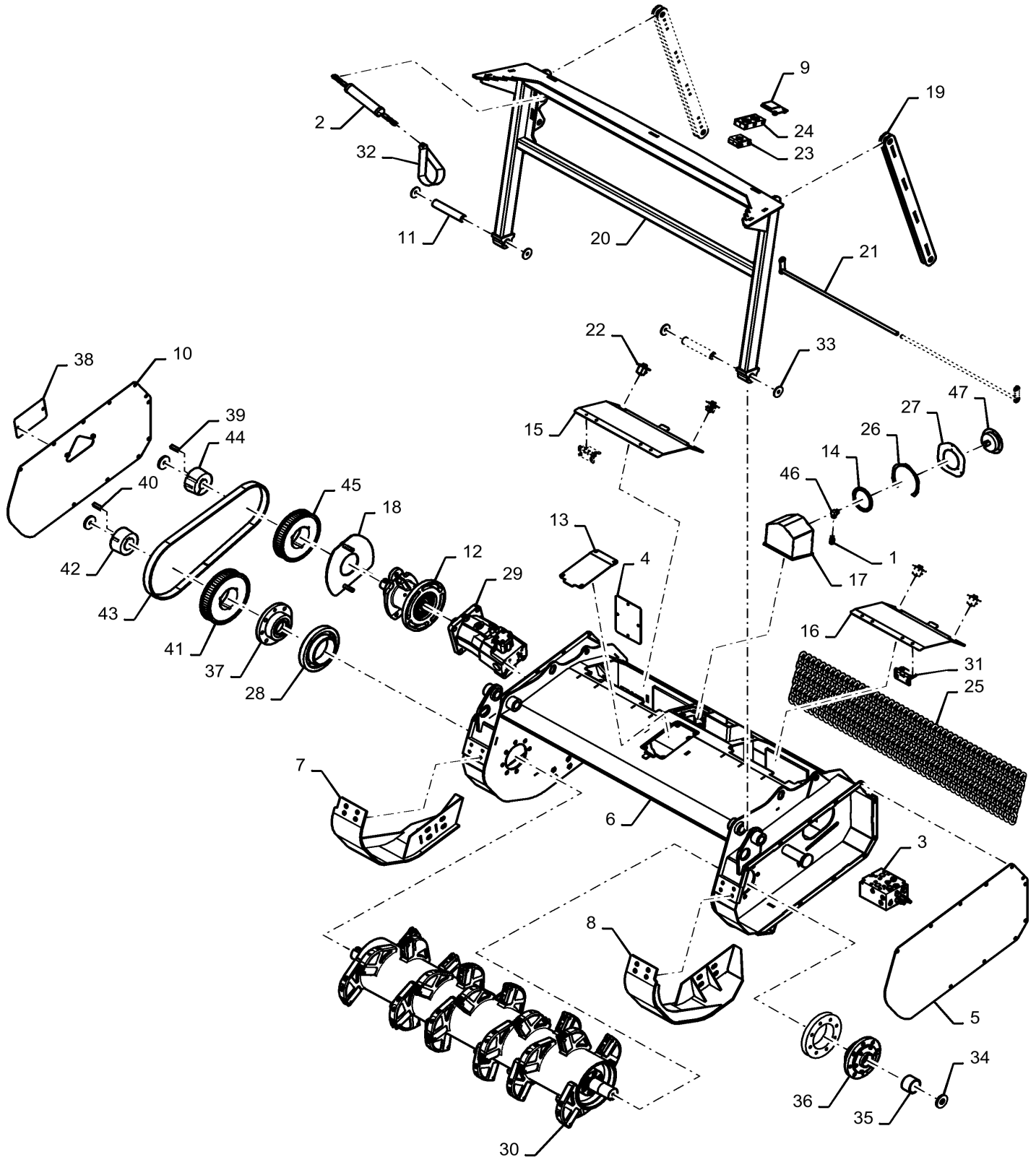
p2

9/2020

GRAPPLE, LARGE, CAP, SKELETON



MULCHER

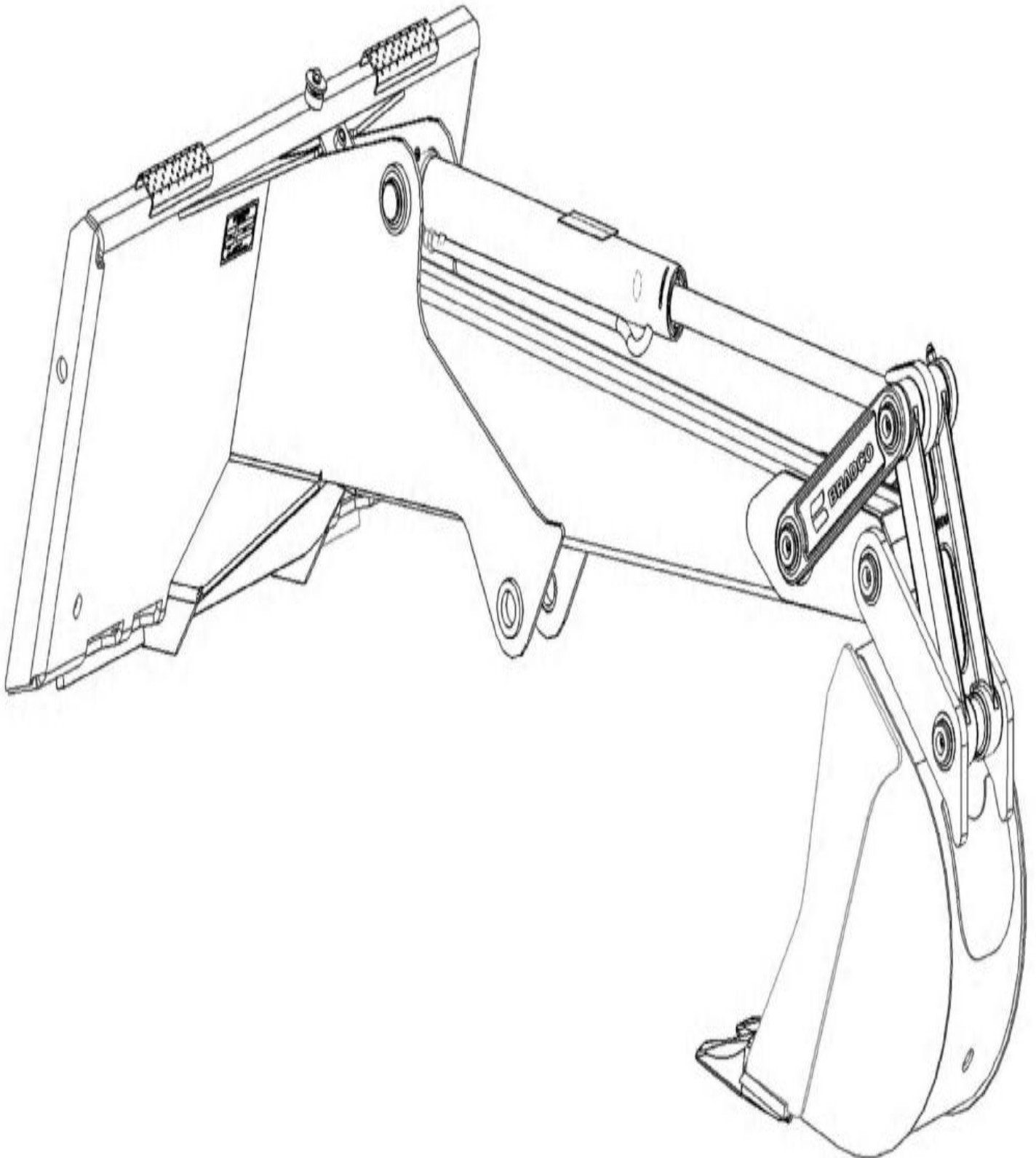


95.100.226

p1

9/2020

SKID HOE, RIGID



CLICK HERE TO **DOWNLOAD** THE COMPLETE MANUAL

- Thank you very much for reading the preview of the manual.
- You can download the complete manual from: www.heydownloads.com by clicking the link below



- Please note: If there is no response to CLICKING the link, please download this PDF first and then click on it.

CLICK HERE TO **DOWNLOAD** THE COMPLETE MANUAL