

All rights reserved by **CNHi**.

The information contained in this catalogue is intended to be of a general nature only. **CNHi** may at any time and from time to time, for technical or other necessary reasons, modify any of the details or specifications of the product described in this catalogue.

To be sure of getting accurate, detailed and up-to-date information, an intending buyer should consult his nearest **CNHi** dealer or distributor.

Single item numeration method used in this catalogue may not be used without written consent from **CNHi**.

CLICK HERE TO **DOWNLOAD** THE COMPLETE MANUAL

- Thank you very much for reading the preview of the manual.
- You can download the complete manual from: [www.heydownloads.com](http://www.heydownloads.com) by clicking the link below



- Please note: If there is no response to CLICKING the link, please download this PDF first and then click on it.

CLICK HERE TO **DOWNLOAD** THE COMPLETE MANUAL

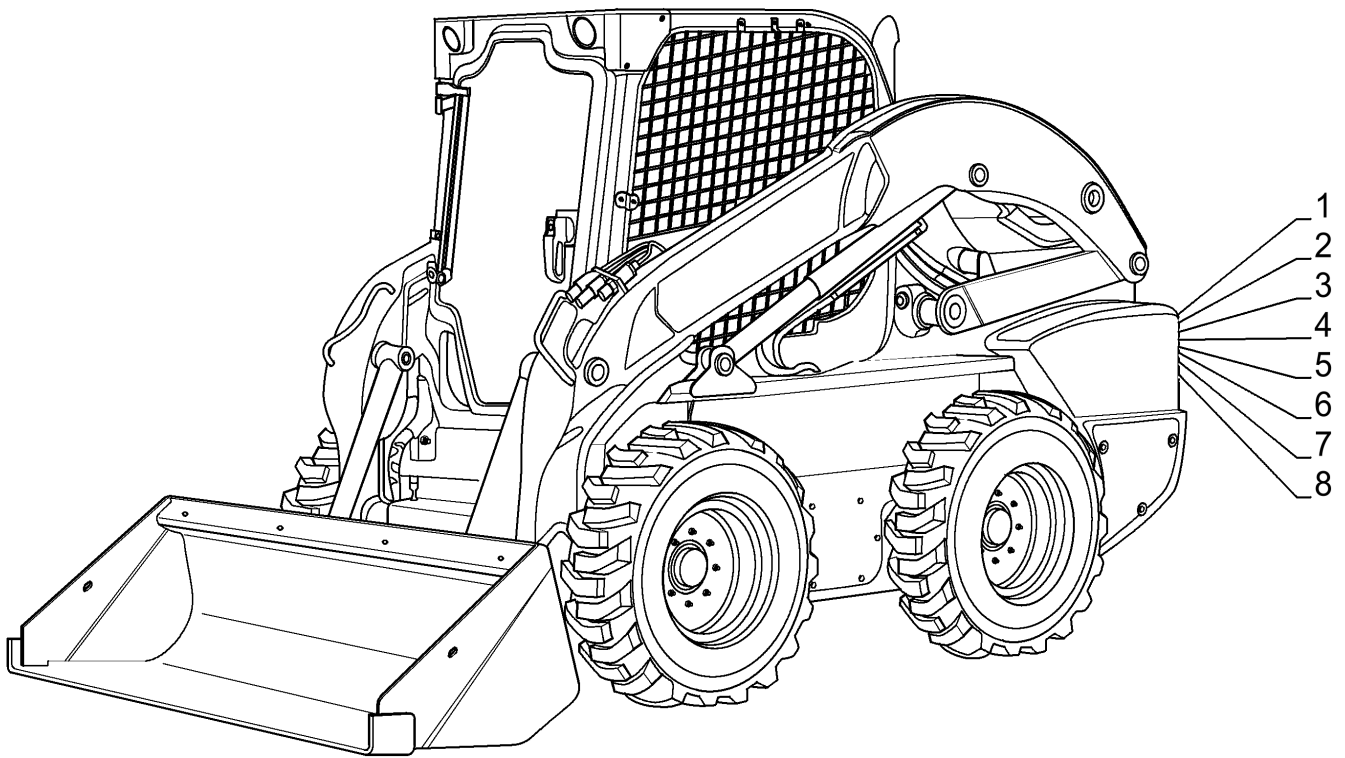
---

**TABLE OF CONTENTS**

---

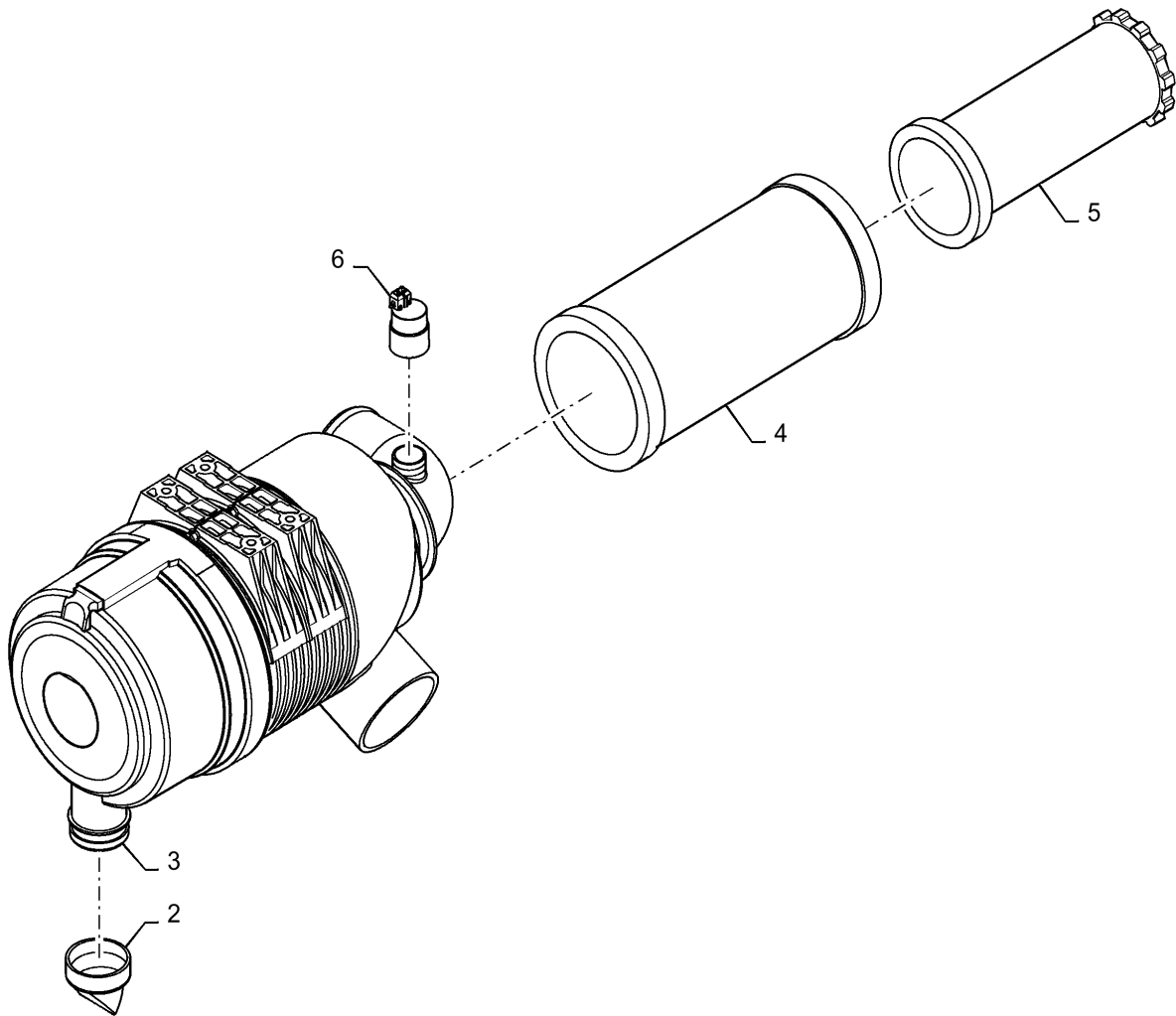
90.120.AD	04	SEAT, NON-SUSPENSION (03-OCT-2016 & NEWER)
90.120.AD	05	SEAT, MECHANICAL SUSPENSION
90.120.AD	06	SEAT, MECHANICAL SUSPENSION (03-OCT-2016 & NEWER)
90.120.AD	07	SEAT, MECHANICAL SUSPENSION
90.120.AD	08	SEAT, MECHANICAL SUSPENSION (03-OCT-2016 & NEWER)
90.124.AE	01	SEAT, AIR SUSPENSION
90.124.AE	02	SEAT, AIR SUSPENSION (03-OCT-2016 & NEWER)
90.124.AE	03	SEAT, AIR SUSPENSION
90.124.AE	04	SEAT, AIR SUSPENSION (03-OCT-2016 & NEWER)
90.151.AD	01	SEAT BELT, 2 PT RETRACTOR 2 IN WEB (ALL CASE)
90.151.AD	02	SEAT BELT, 3 PT (ALL CASE)
90.151.AD	03	LAP BAR (ALL CASE)
90.151.AD	03	SEAT BELT
90.151.AD	04	LAP BAR STOP
90.154.010	01	GLASS DOOR MOUNTING COMPONENTS (1-FEB-2013 & PRIOR)
90.154.010	02	GLASS DOOR ASSY COMPONENTS (1-FEB-2013 & PRIOR)
90.154.020	01	DEMO DOOR MOUNTING COMPONENTS (1-FEB-2013 & PRIOR)
90.154.020	02	DEMO DOOR ASSY COMPONENTS (1-FEB-2013 & PRIOR)
90.154.AC		OPEN CAB, NO HEAT OR HVAC (SR200-TV380)
90.154.AQ		CAB, GAS STRUT ASSY (ALL CASE)
90.154.AV	04	REAR WINDOW EU (ALL CASE)
90.154.AV	04	REAR WINDOW NA (ALL CASE)
90.154.AV	05	SIDE WINDOW ASSY (ALL CASE)
90.160.AR	01	FLOOR MAT, MECHANICAL HAND CONTROL (ALL CASE)
90.160.AR	02	FLOOR MAT, EH CONTROLS (SR130-SV300)
90.160.AS	01	HANDLE MOUNTING EH (SR175-TV380)
90.160.AS	02	ELEC-HYDRAULIC CONTROLS MD-LG FRM (SR175-TV380)
90.160.AX	01	CAB HEADLINER, NO RADIO (ALL CASE)
90.160.AX	02	CAB HEADLINER, WITH RADIO (ALL CASE)
90.160.CK	01	INTERIOR TRIM CASE (ALL CASE)
90.160.CK	02	INTERIOR TRIM CASE (ALL CASE)
90.160.CK	04	SEAL PACKAGE (SR175-TV380)
95.002.AAW		ADAPTER, SSL ATTACHMENT BLANK, SV250
95.004.AAW		AUGER DRIVE, SV250
95.006.AAW		AUTO RAKE, SV250
95.008.AAZ		BACKHOES, SV250

FILTERS

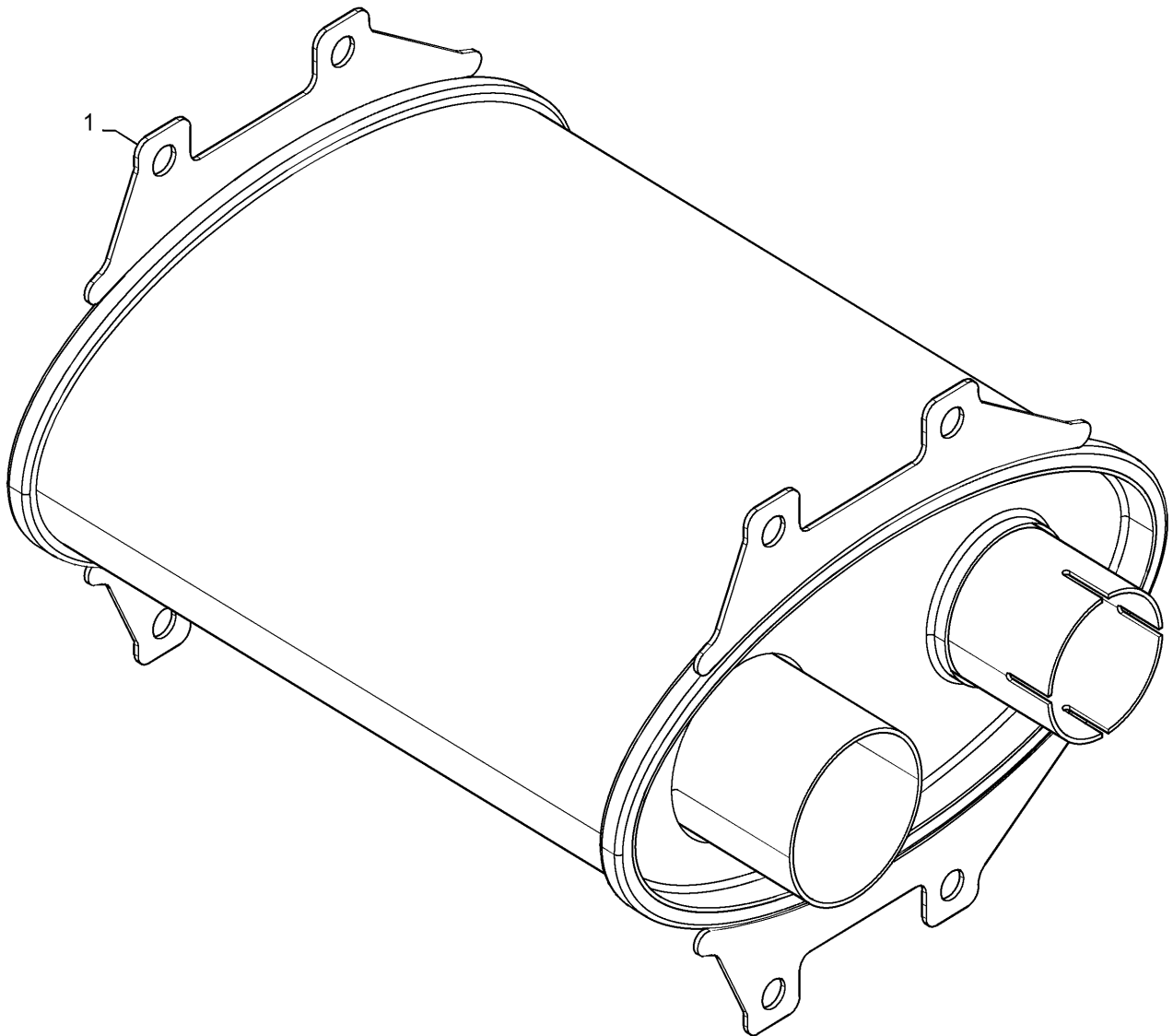


AIR CLEANER ASSY (SV250, SV300, TV380)

1



MUFFLER



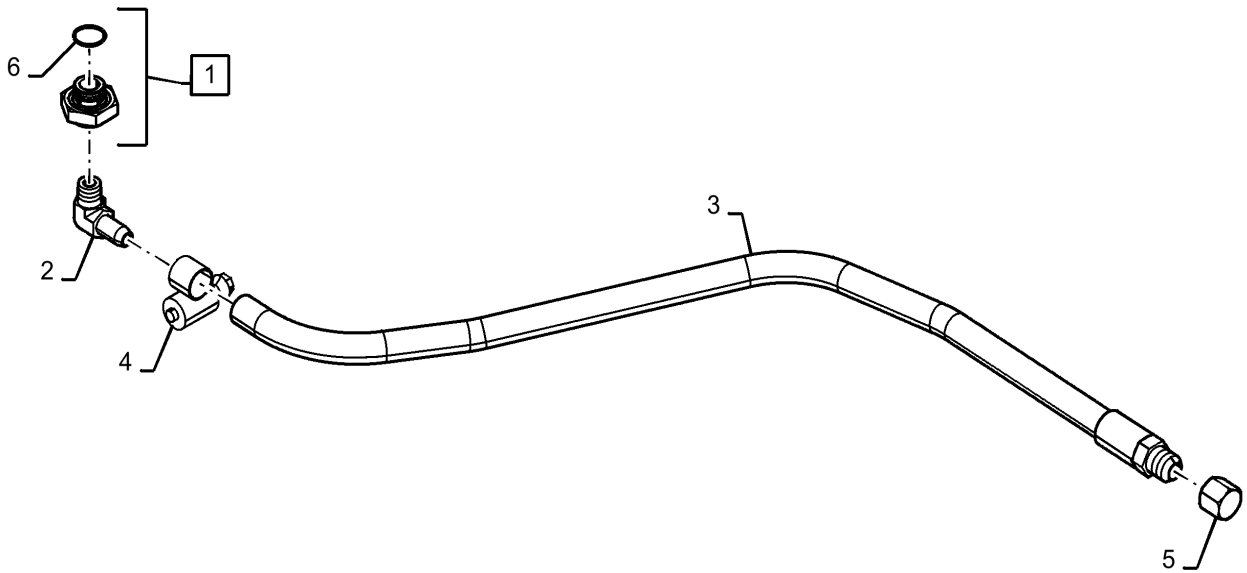
10.304.AL

03

p1

6/2018

REMOTE OIL, LINE - AFTER 8/12/2014 (SR200-TV380)



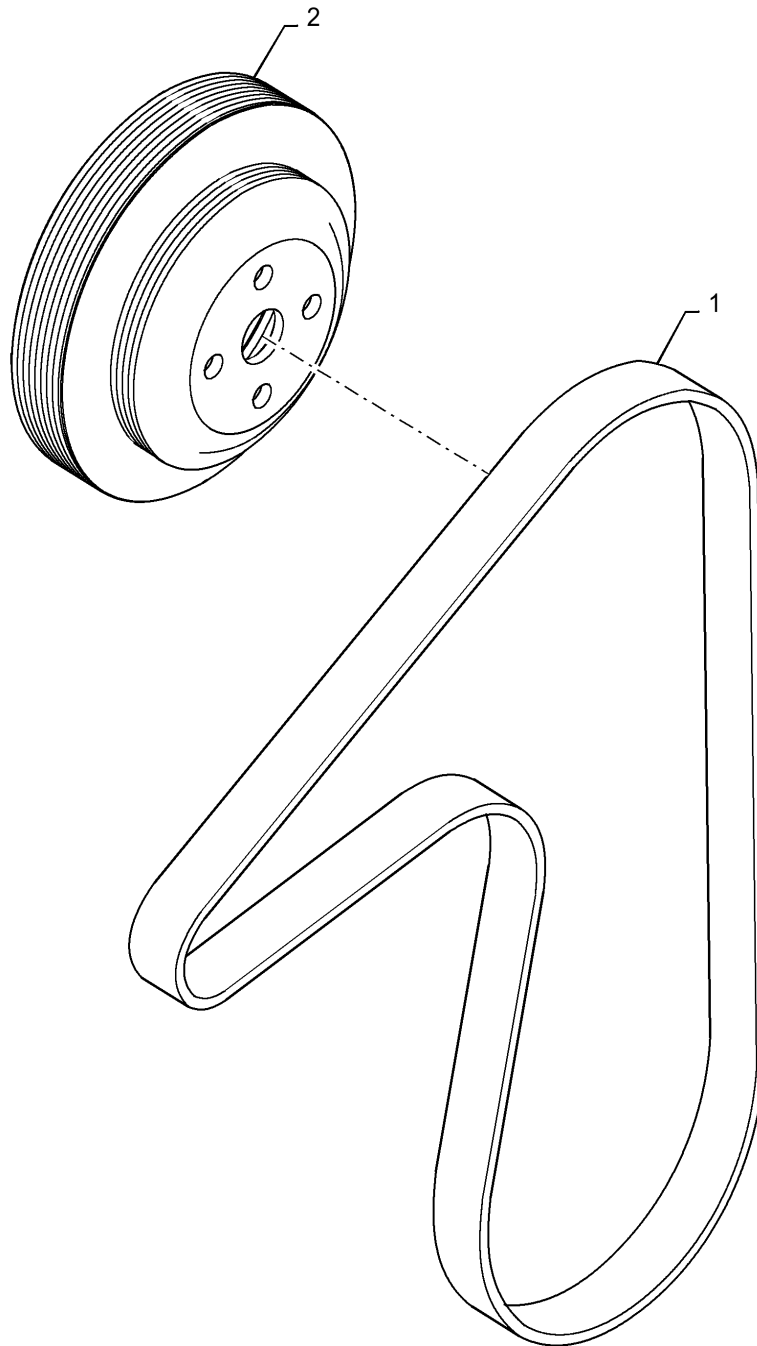
**10.414.BE**

01

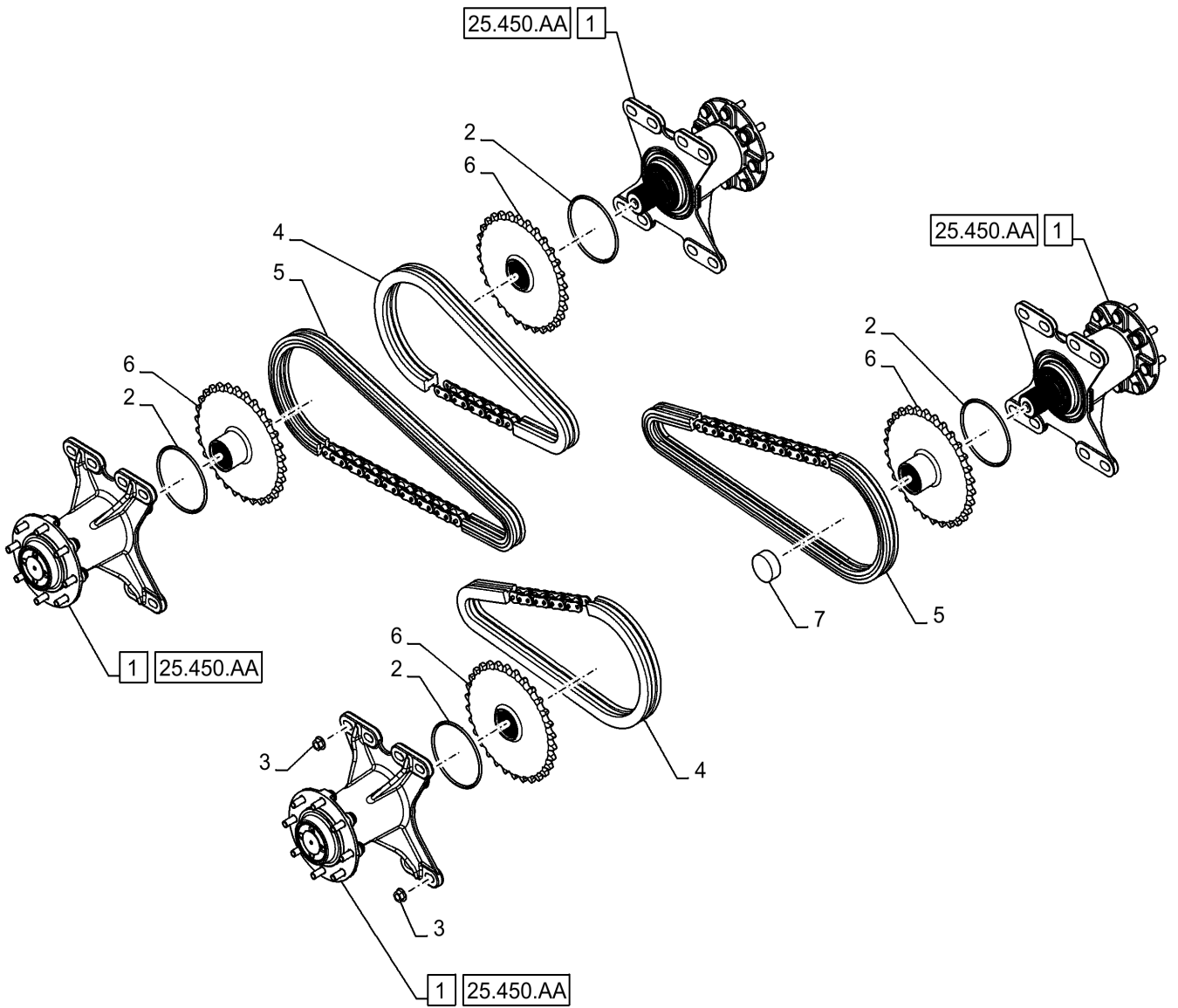
p1

6/2018

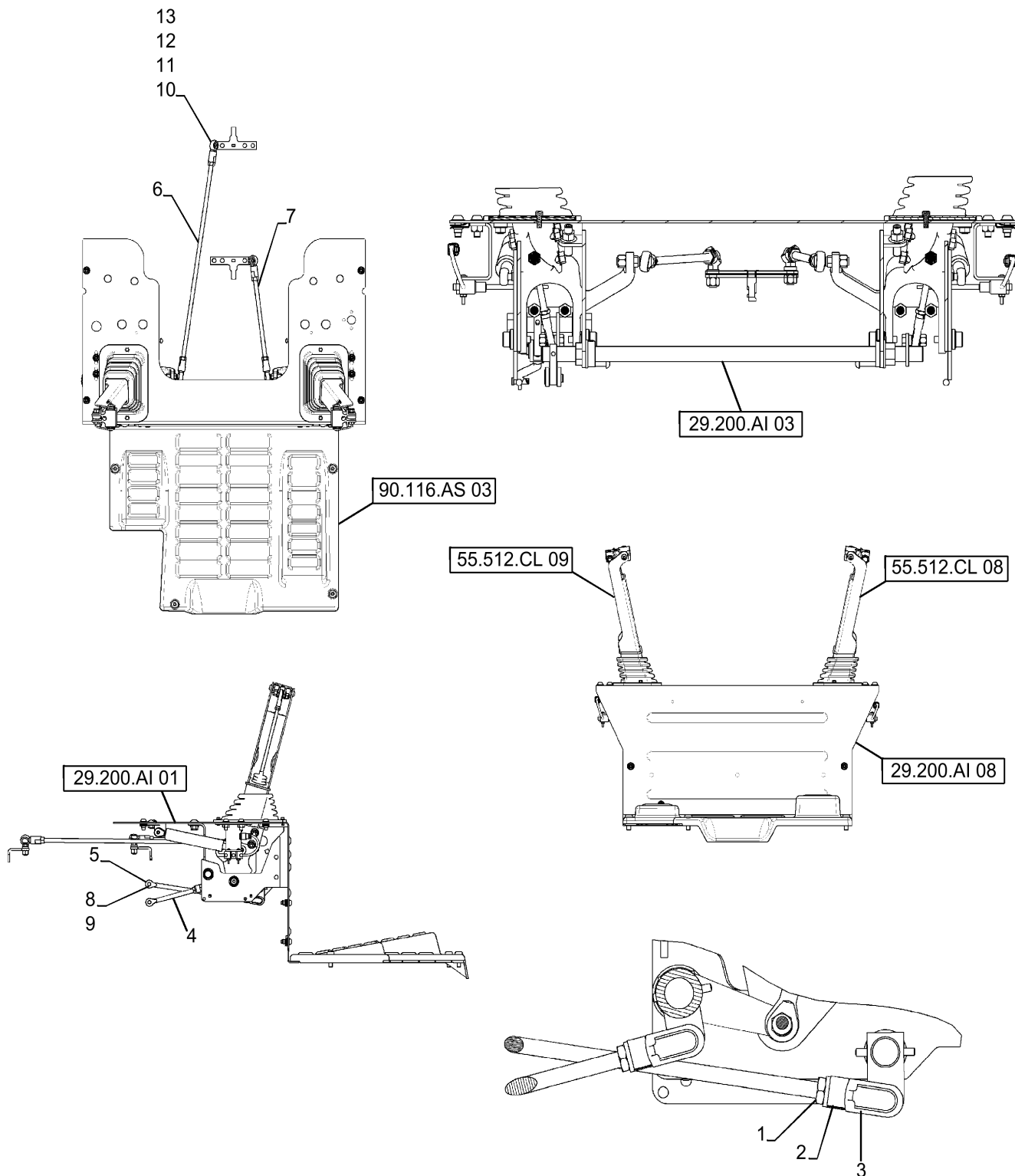
VAR - 761068 STANDARD FAN BELT



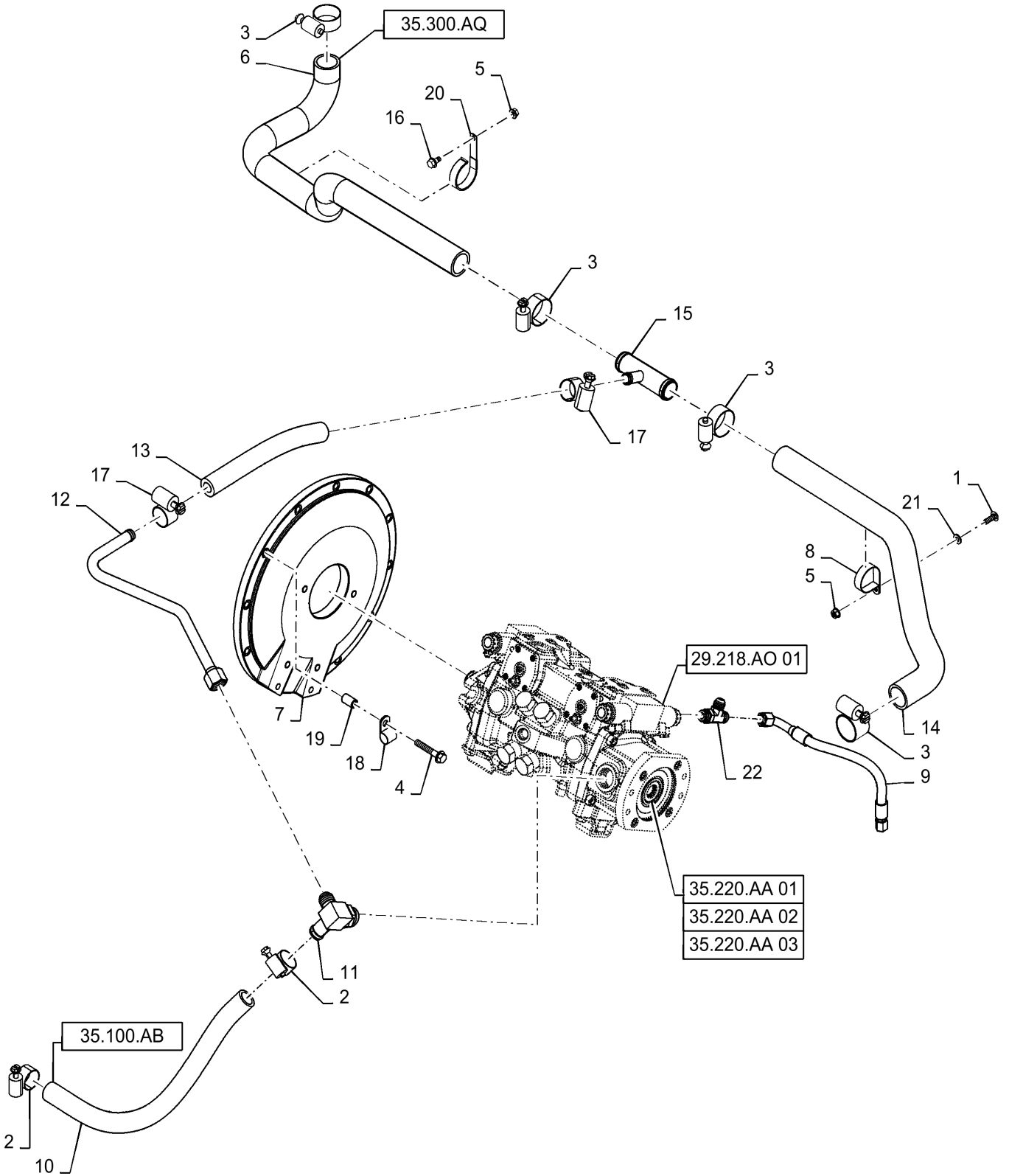
POWER TRAIN (SR220,SR250,SV250,SV300)



HAND CONTROLS, LG FRAME SERVO (SR220-SV300,TR320,TV380)

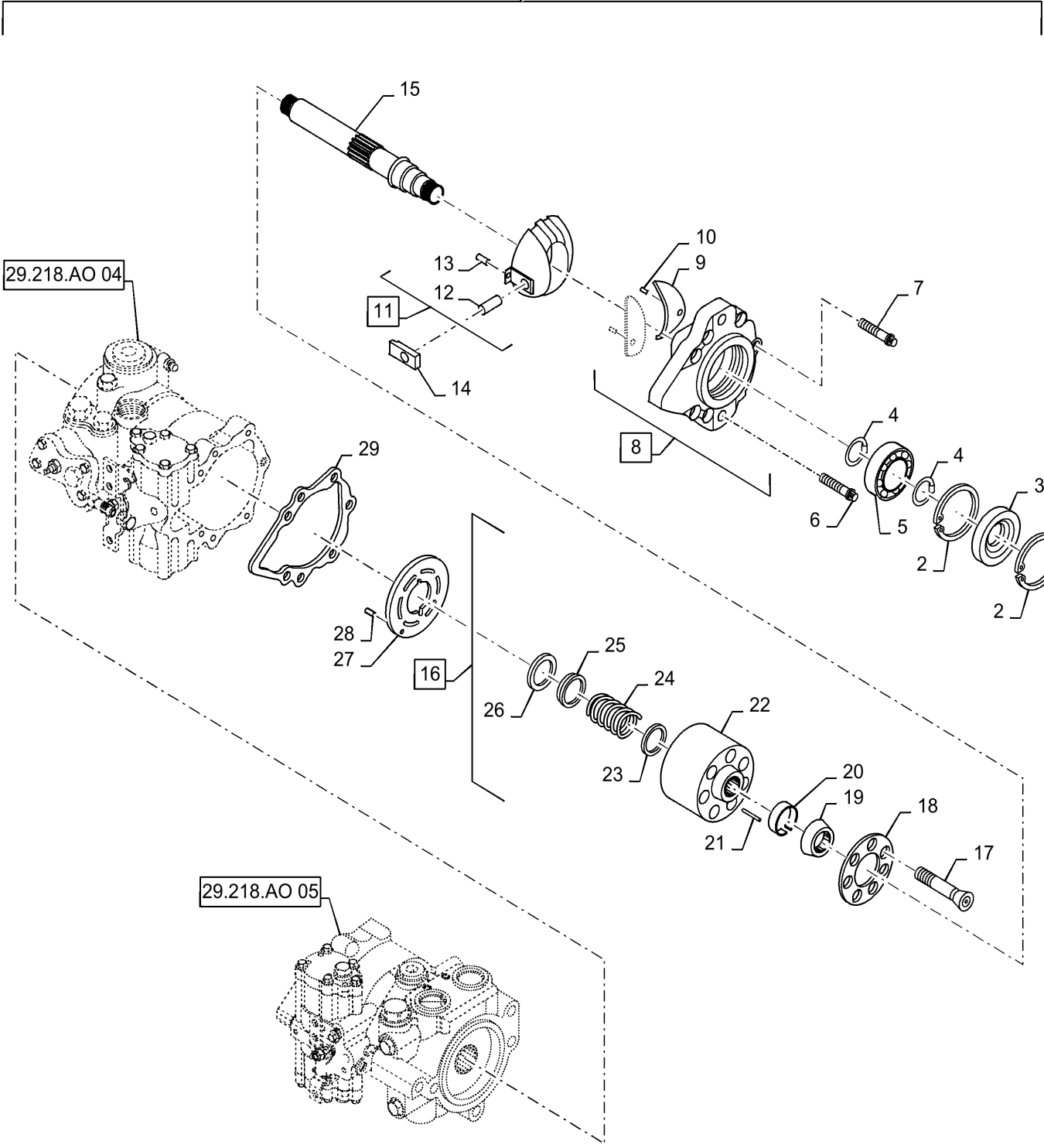


HYDROSTATIC PUMP, SUPPLY LINES, EH CONTROLS (SR220-SV300)

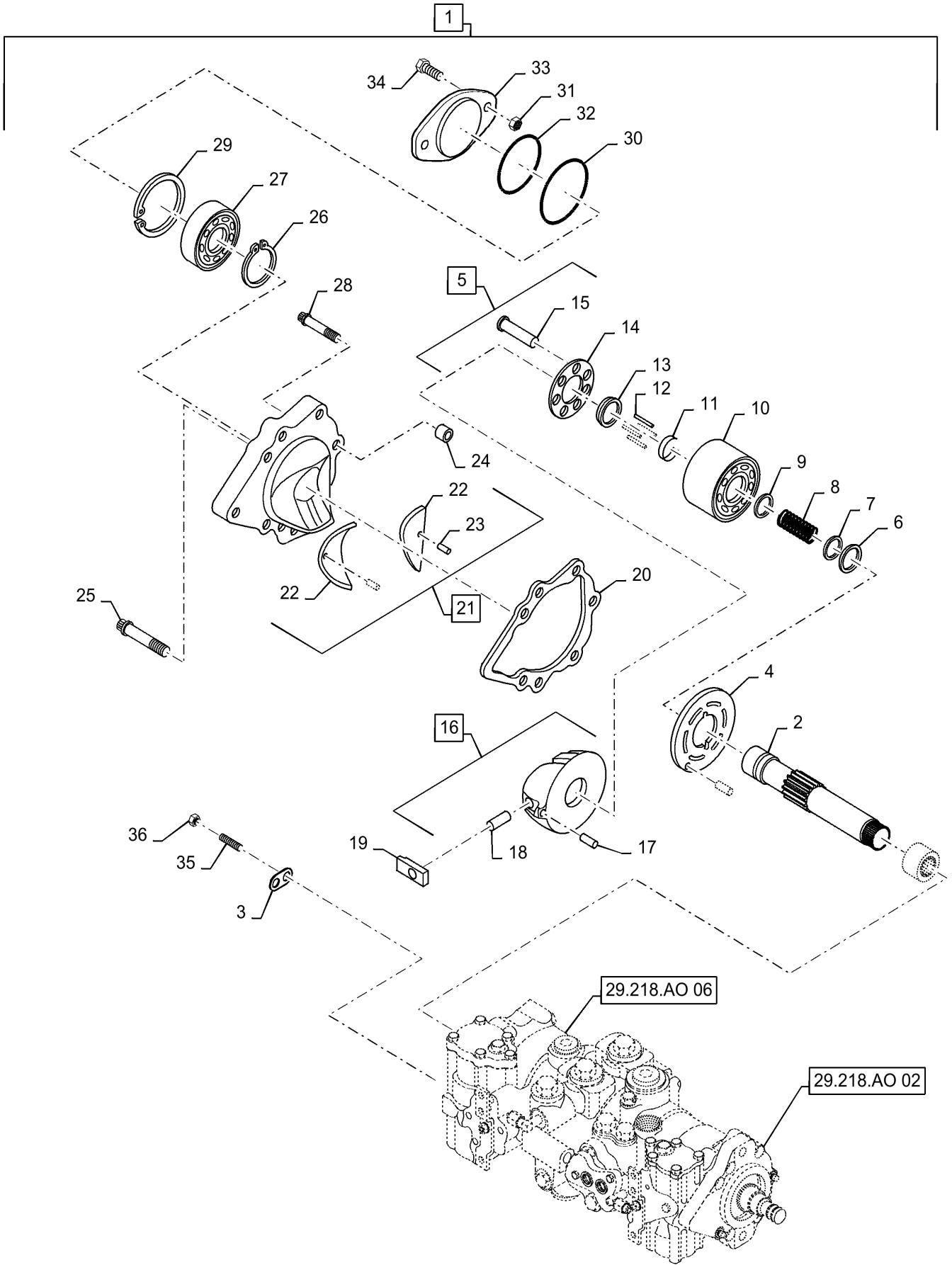


TANDEM HYDROSTATIC PUMP, MECHANICAL CONTROL, 46CC, FRONT (SR200, SR220, SV250, TR270)

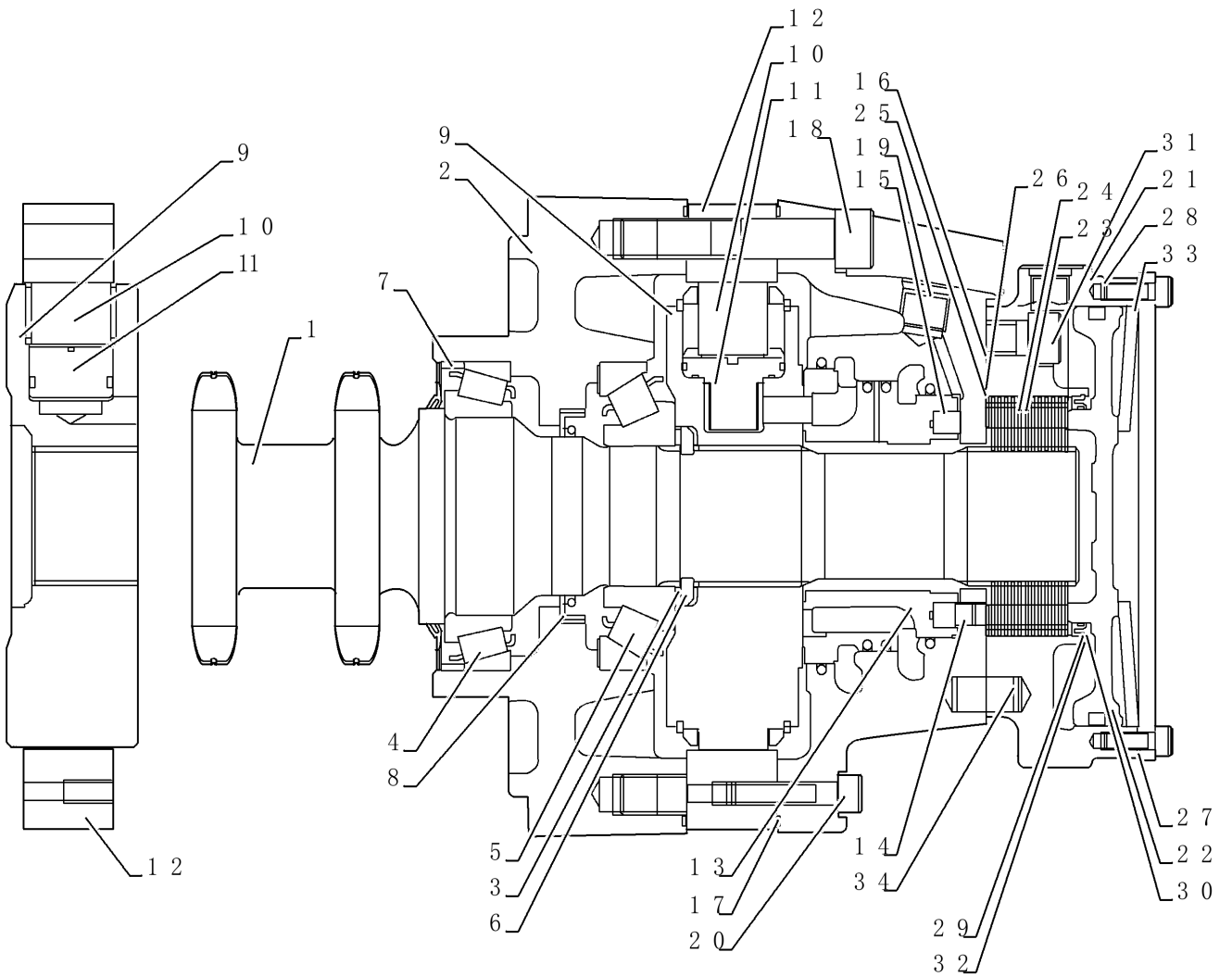
1



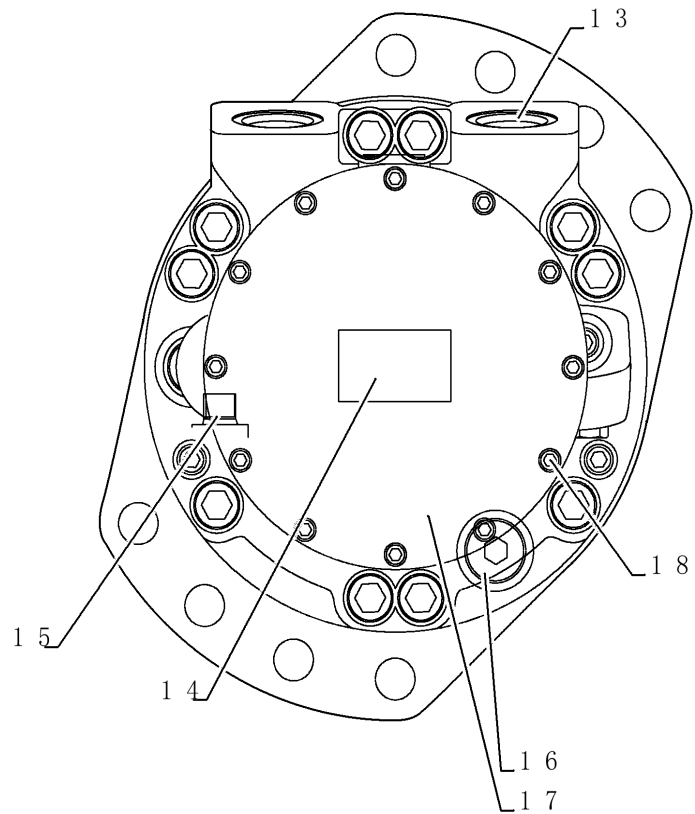
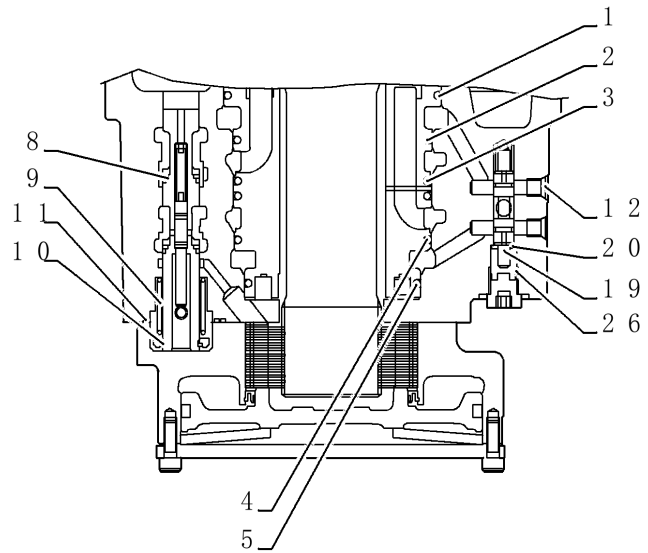
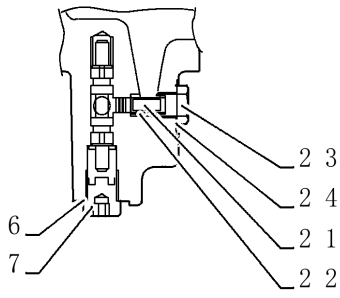
TANDEM HYDROSTATIC PUMP, MECHANICAL CONTROL, 46CC, REAR (SR200, SR220, SV250, TR270)



MOTOR, REXROTH DRIVE MOTOR 1SPD (SR200-SV300)



MOTOR, REXROTH DRIVE MOTOR 2SPD (SR200-SV300)



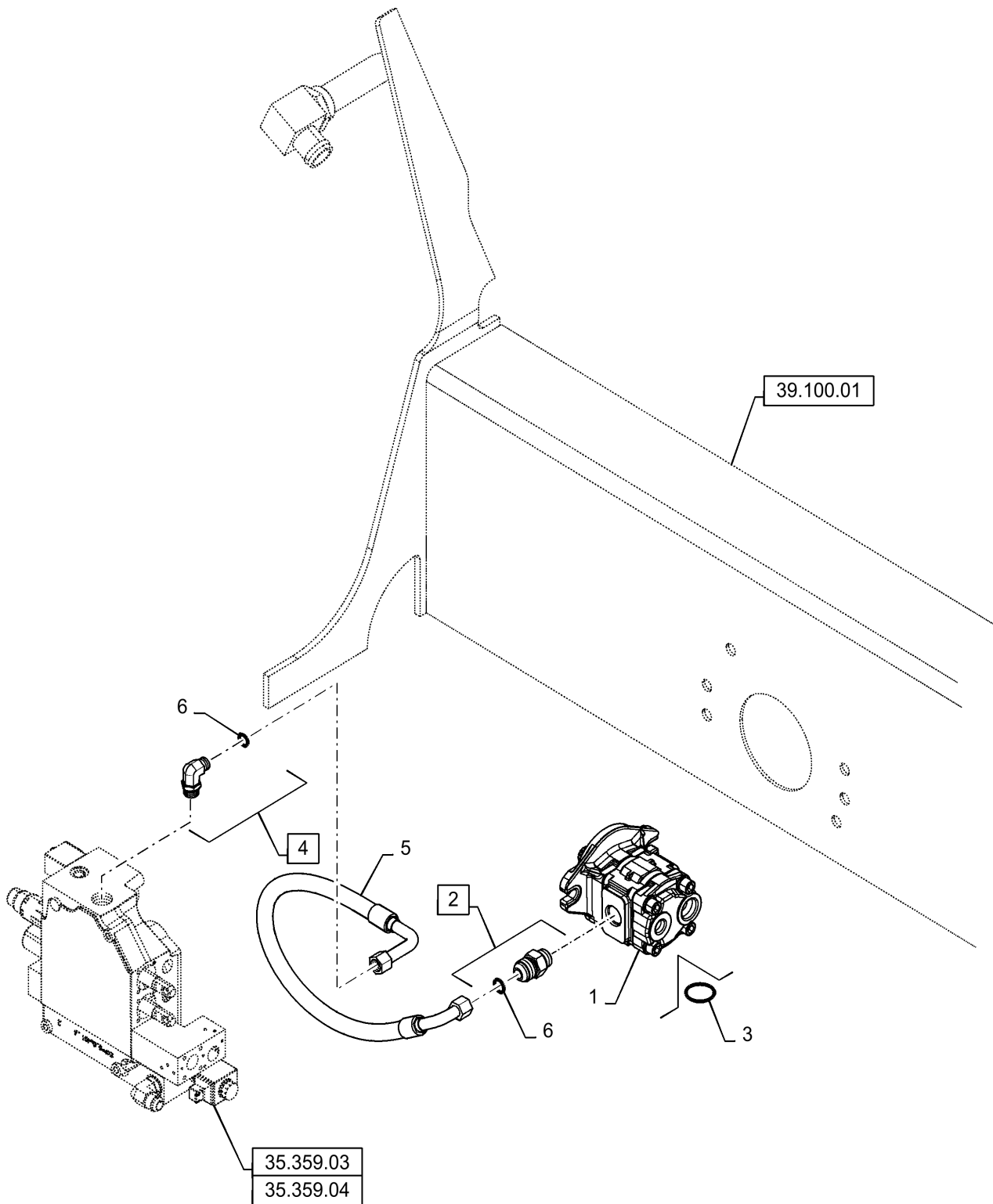
**35.220.AA**

01

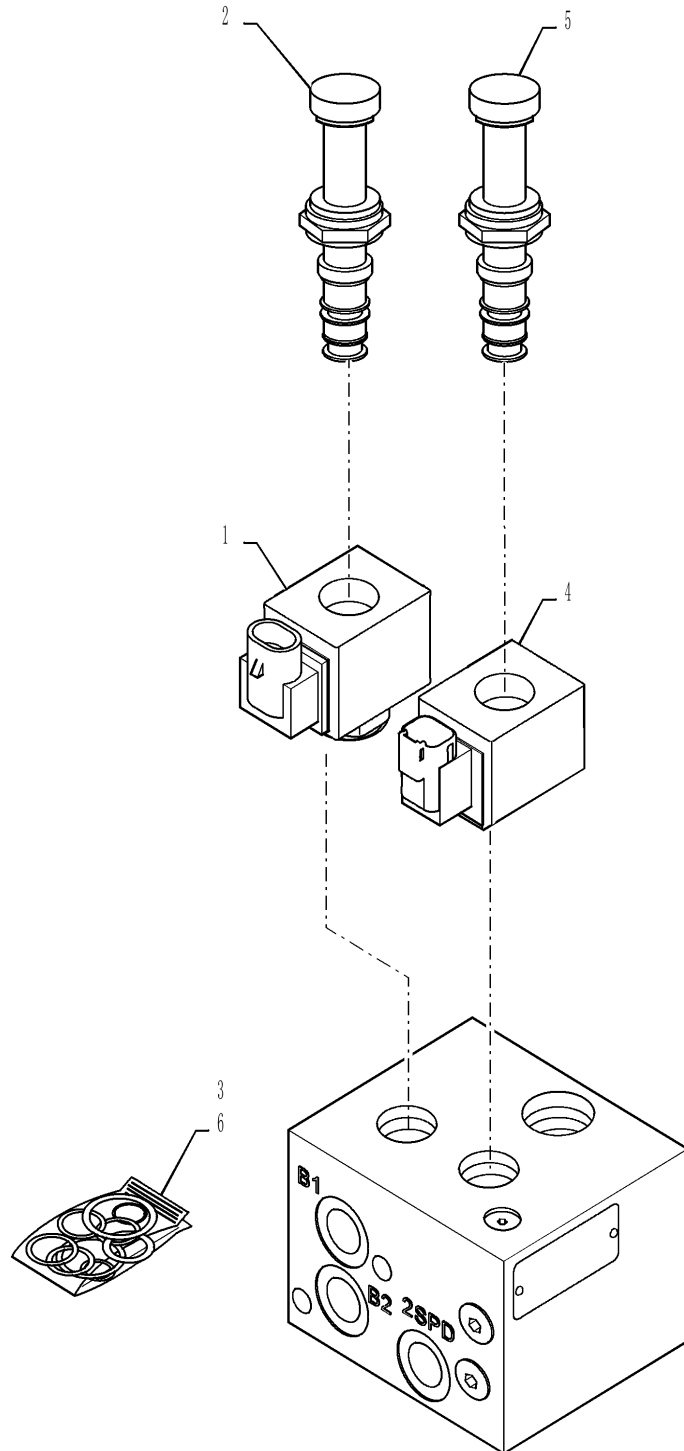
p1

6/2018

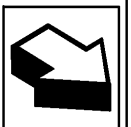
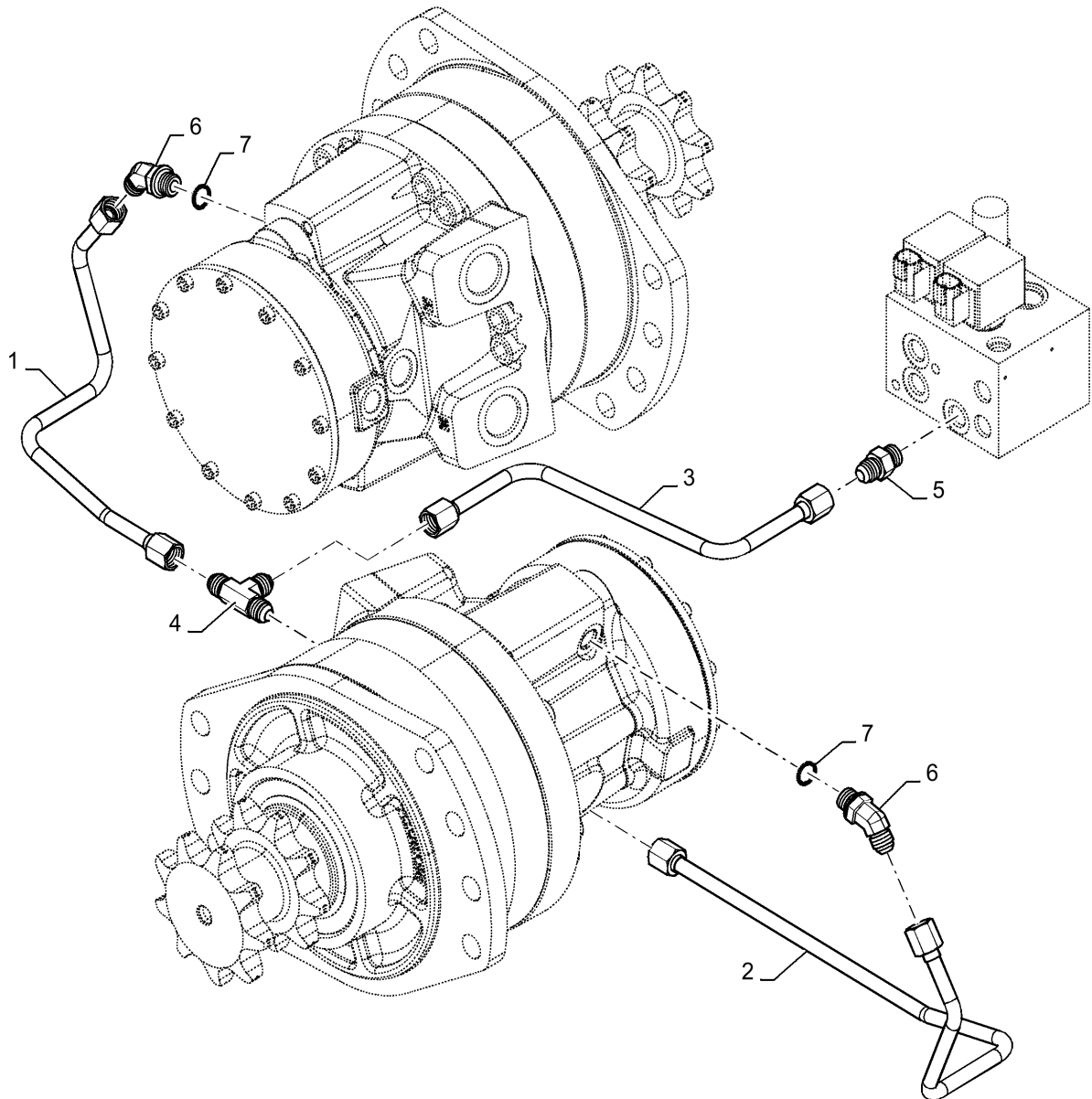
AUX HYD, STD, GEAR PUMP (SR220,SR250,SV250,SV300,TR320,TV380)



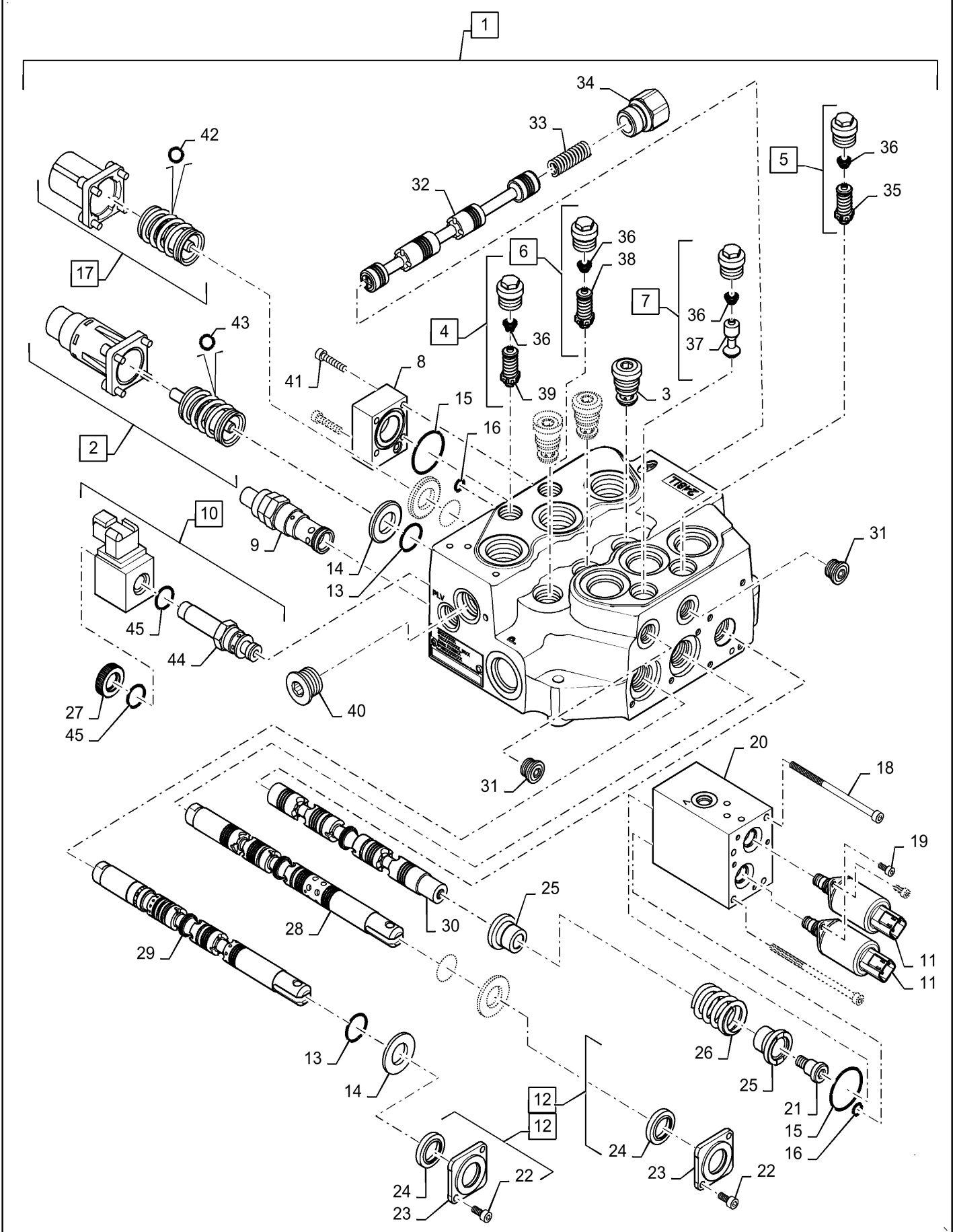
VALVE, BRAKE 2SPD (SR175-SV300)



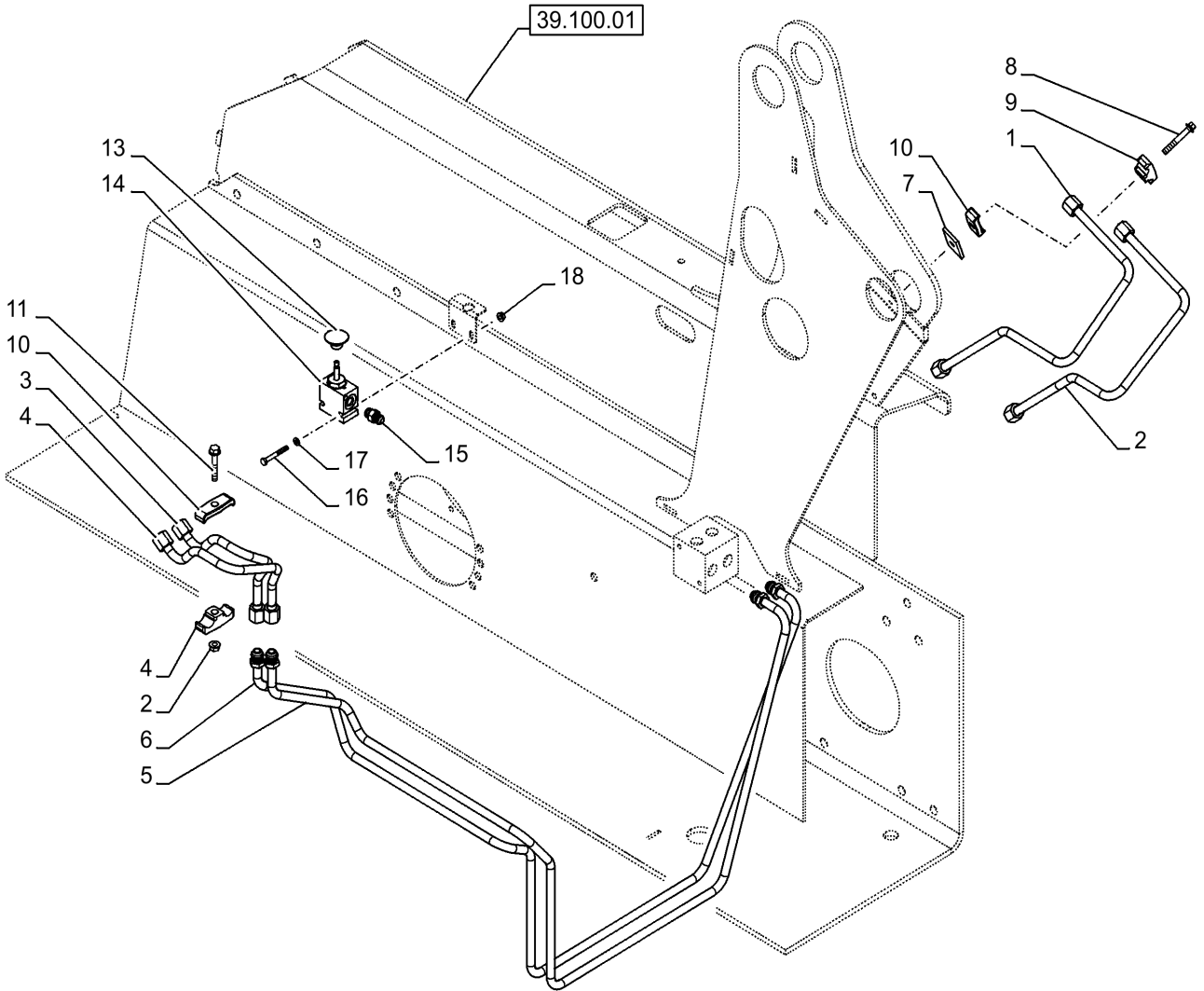
2SPD PLUMBING (SR220,SR250,SV250,SV300)



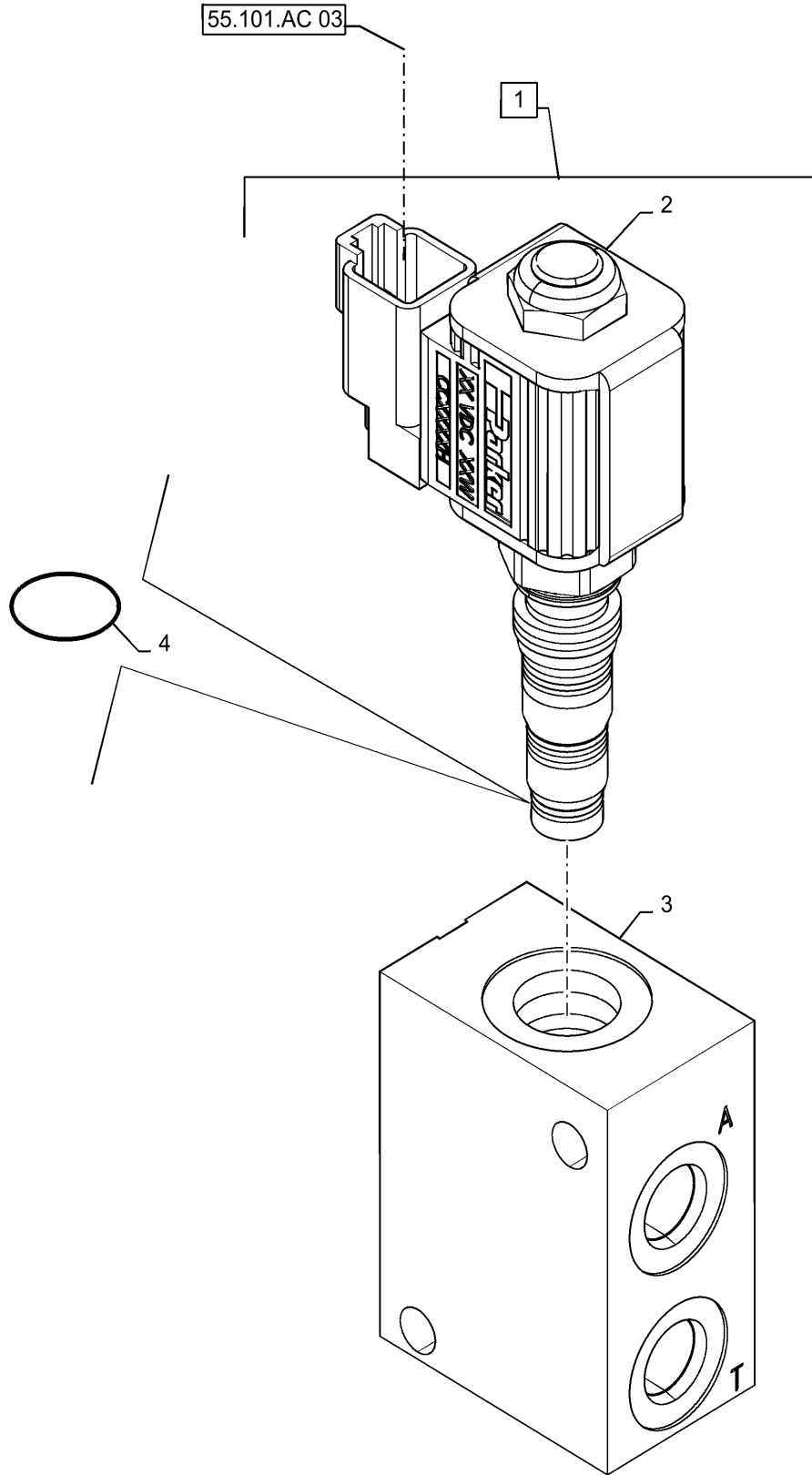
LOADER, CONTROL VALVE, FOOT CONTROL VALVE



LOADER VALVE PLUMBING (SV250,SV300,TV380)



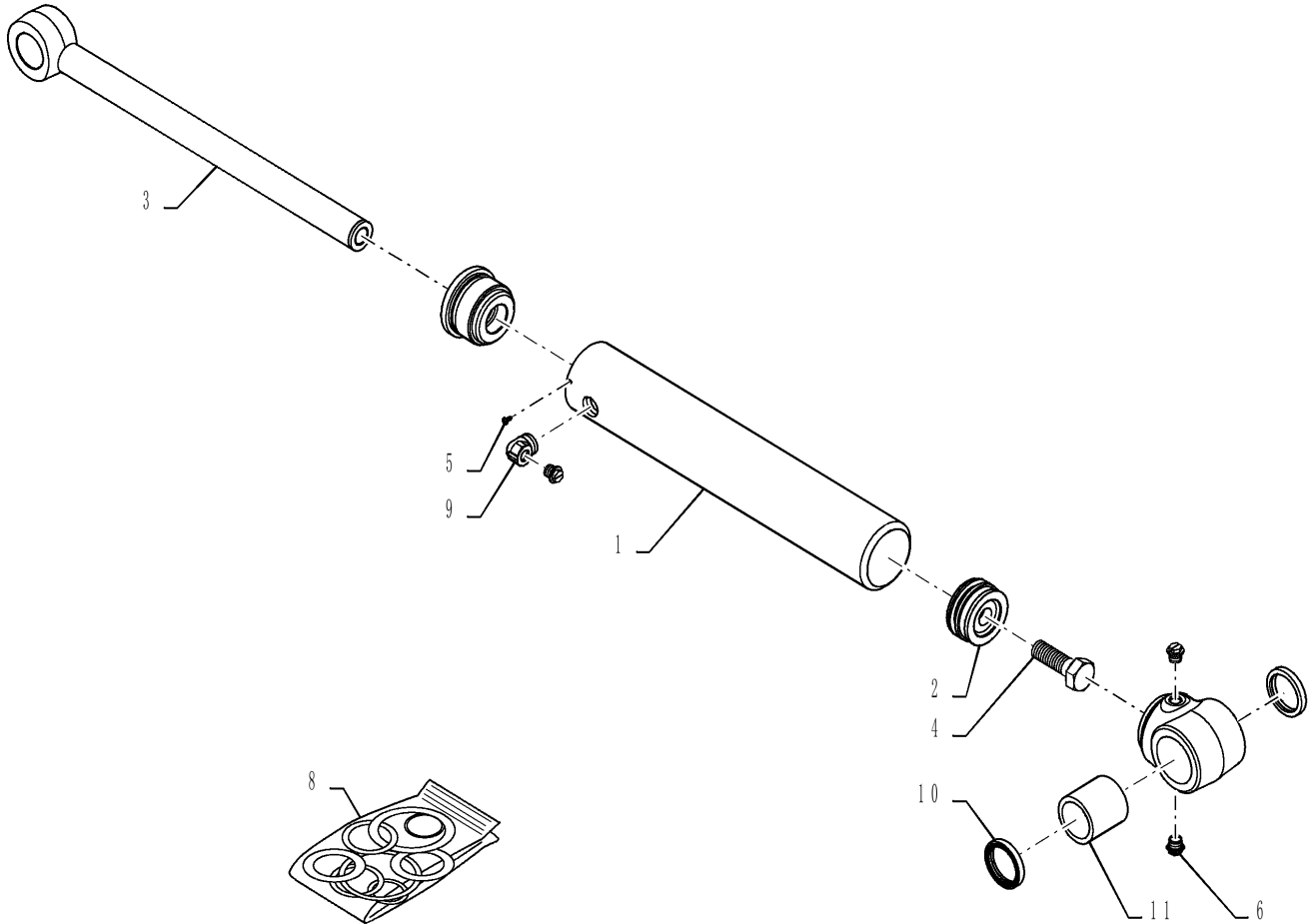
RIDE CONTROL VALVE BREAKDOWN



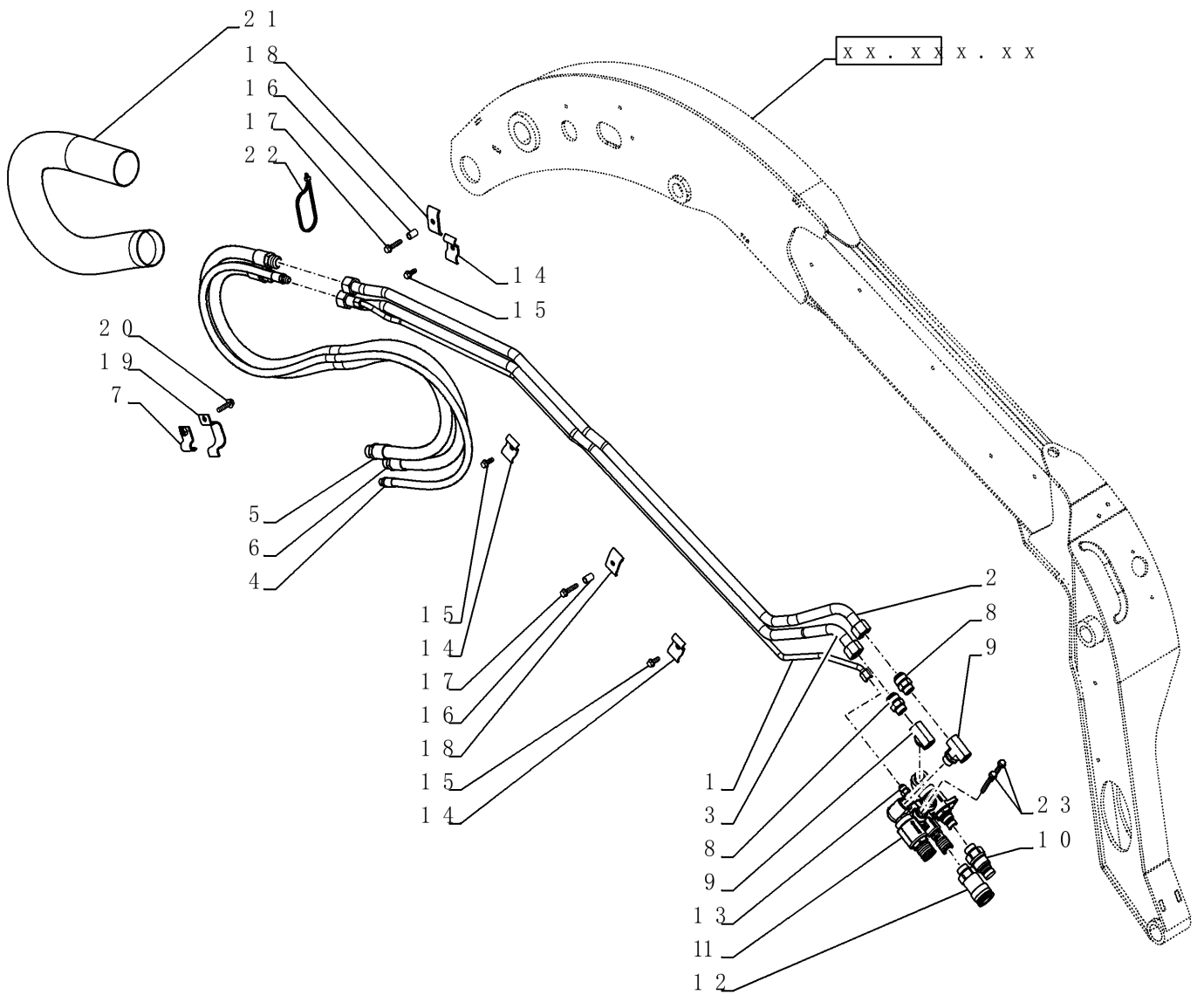
BUCKET CYLINDER, BEFORE 28-AUG-2012 (SR220-SV300,TR320,TV380)



7



AUX HYD, HIGH FLOW, AUX ARM PLUMBING (SV250,SV300,TV380)



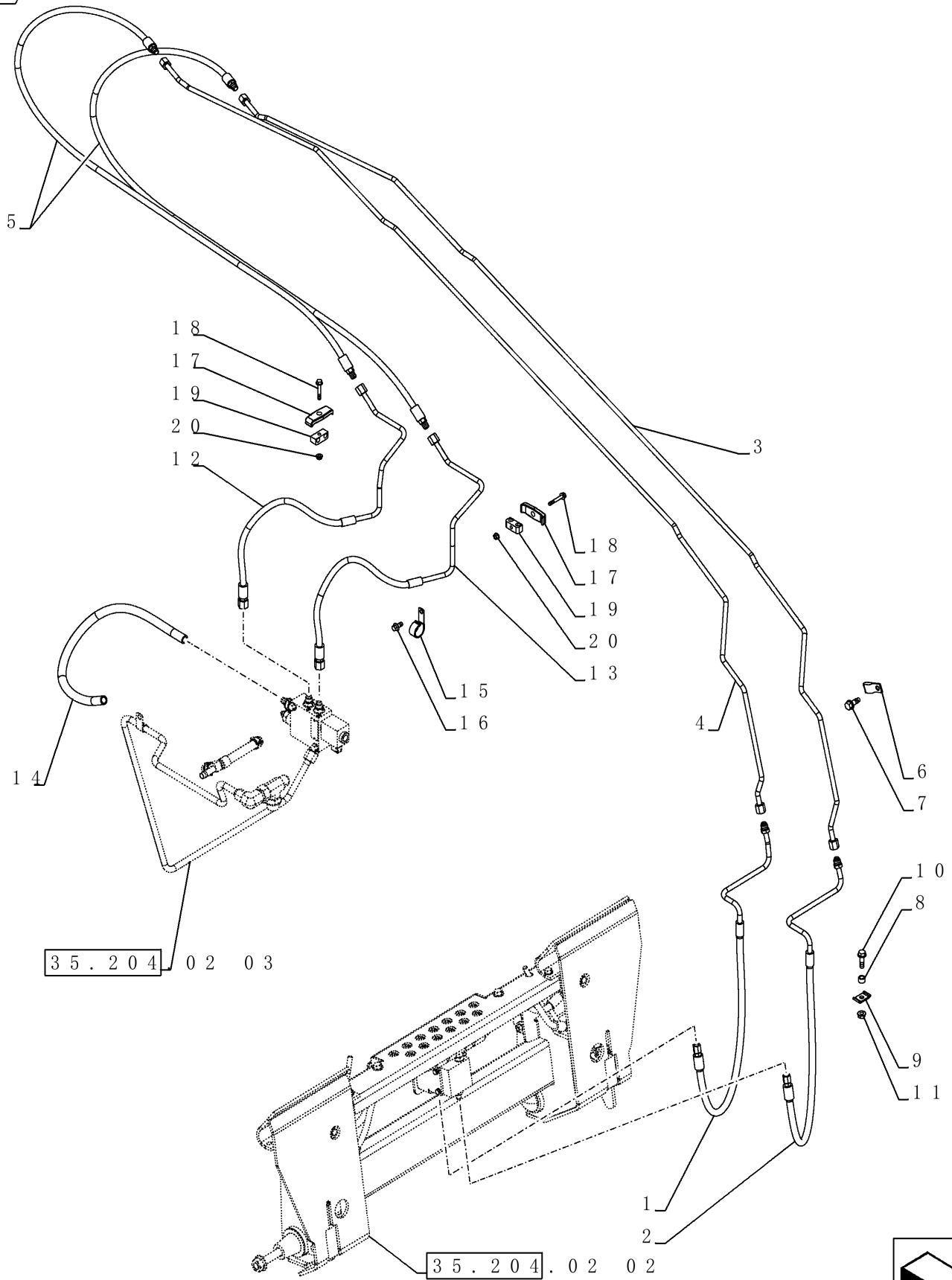
35.734.AH

02

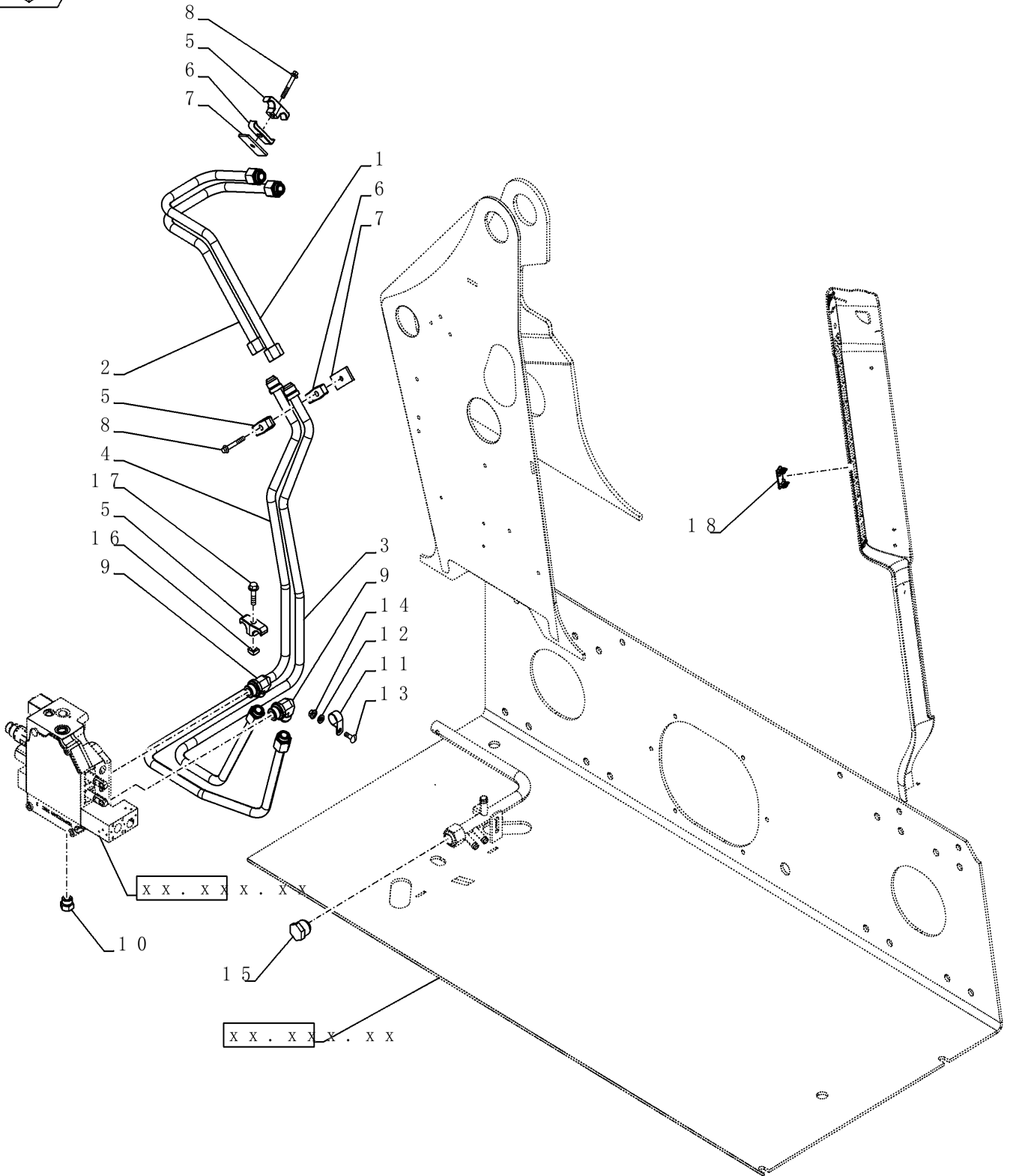
p1

6/2018

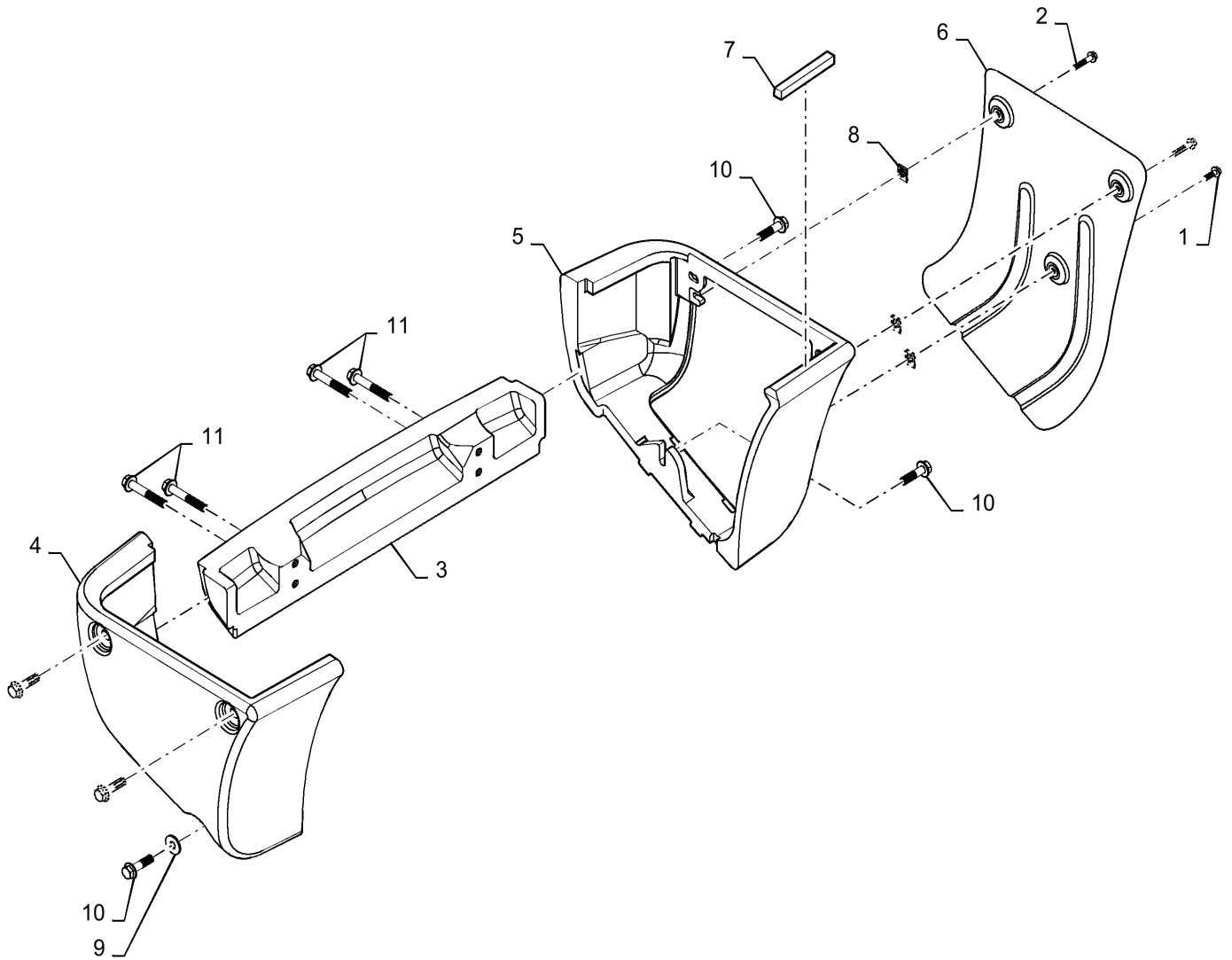
HYDRAULIC COUPLER, ARM PLUMBING (SV250,SV300,TV380)



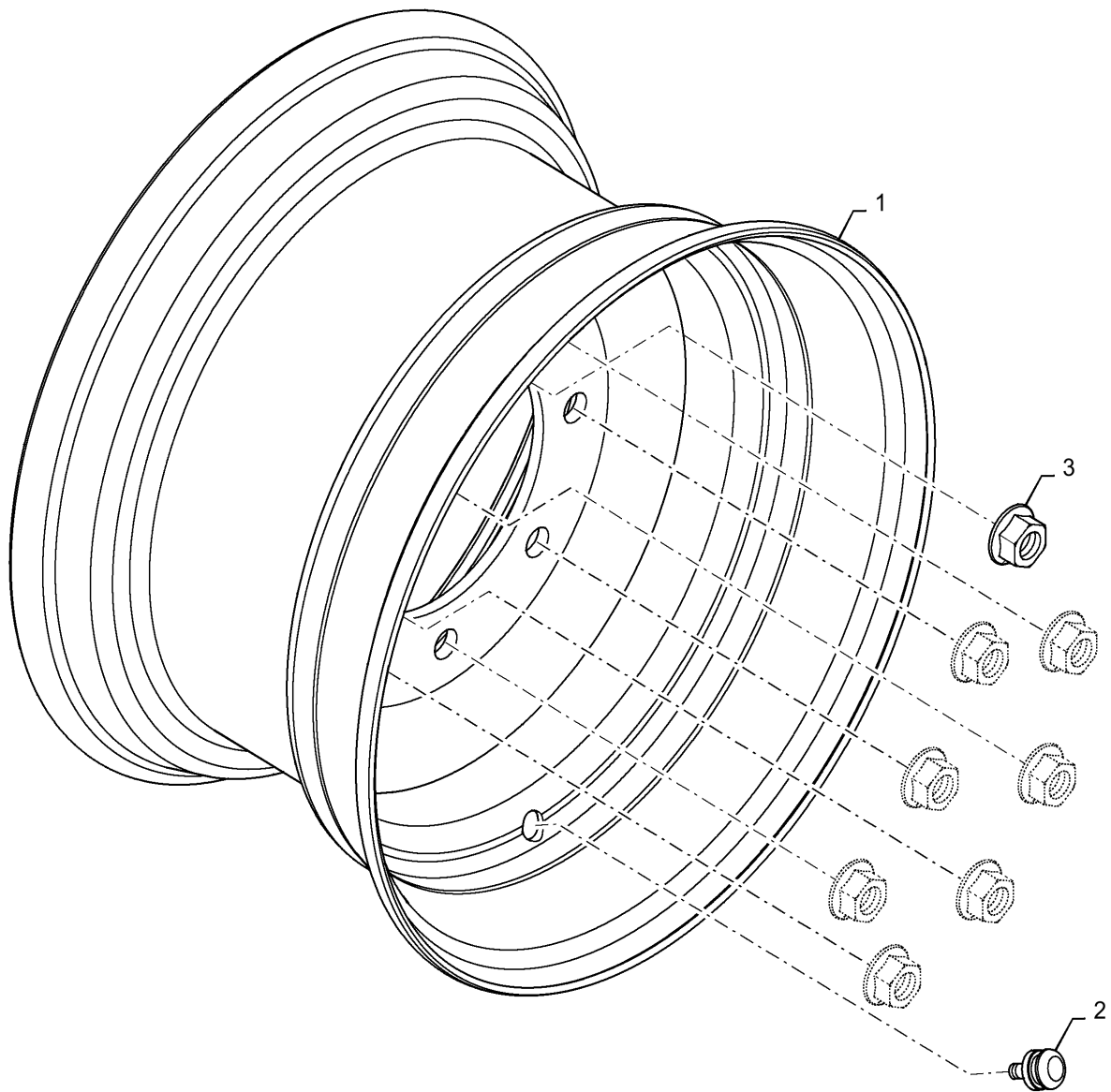
AUX HYD, STD, CHASSIS PLUMBING (SV250,SV300,TV380)



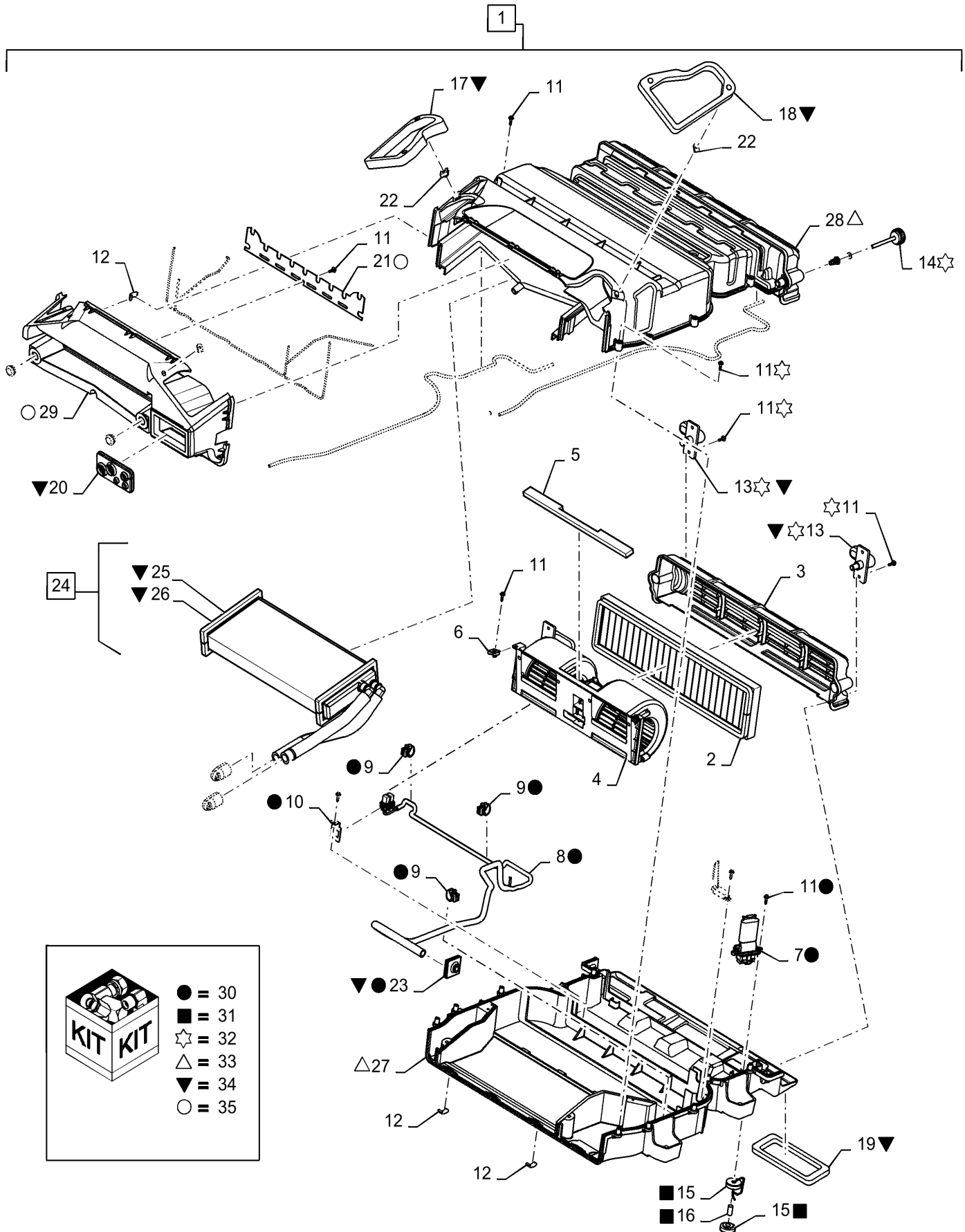
COUNTERWEIGHT (SR220, SV250, TR320, TV380)



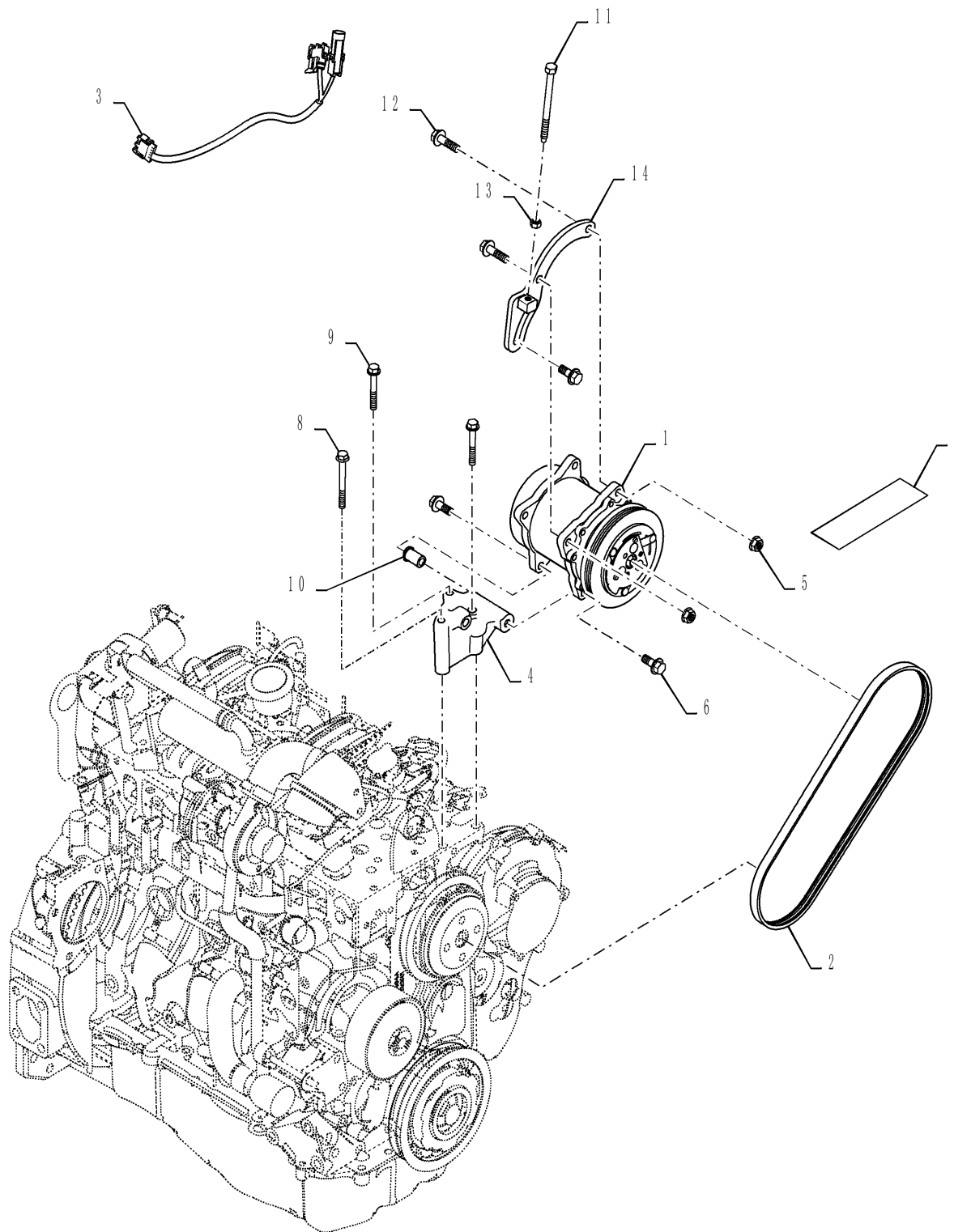
WHEELS (SR220 - SV300)



HEATER (ALL CASE)



AIR CONDITIONER, COMPRESSOR (SR200-TV380)



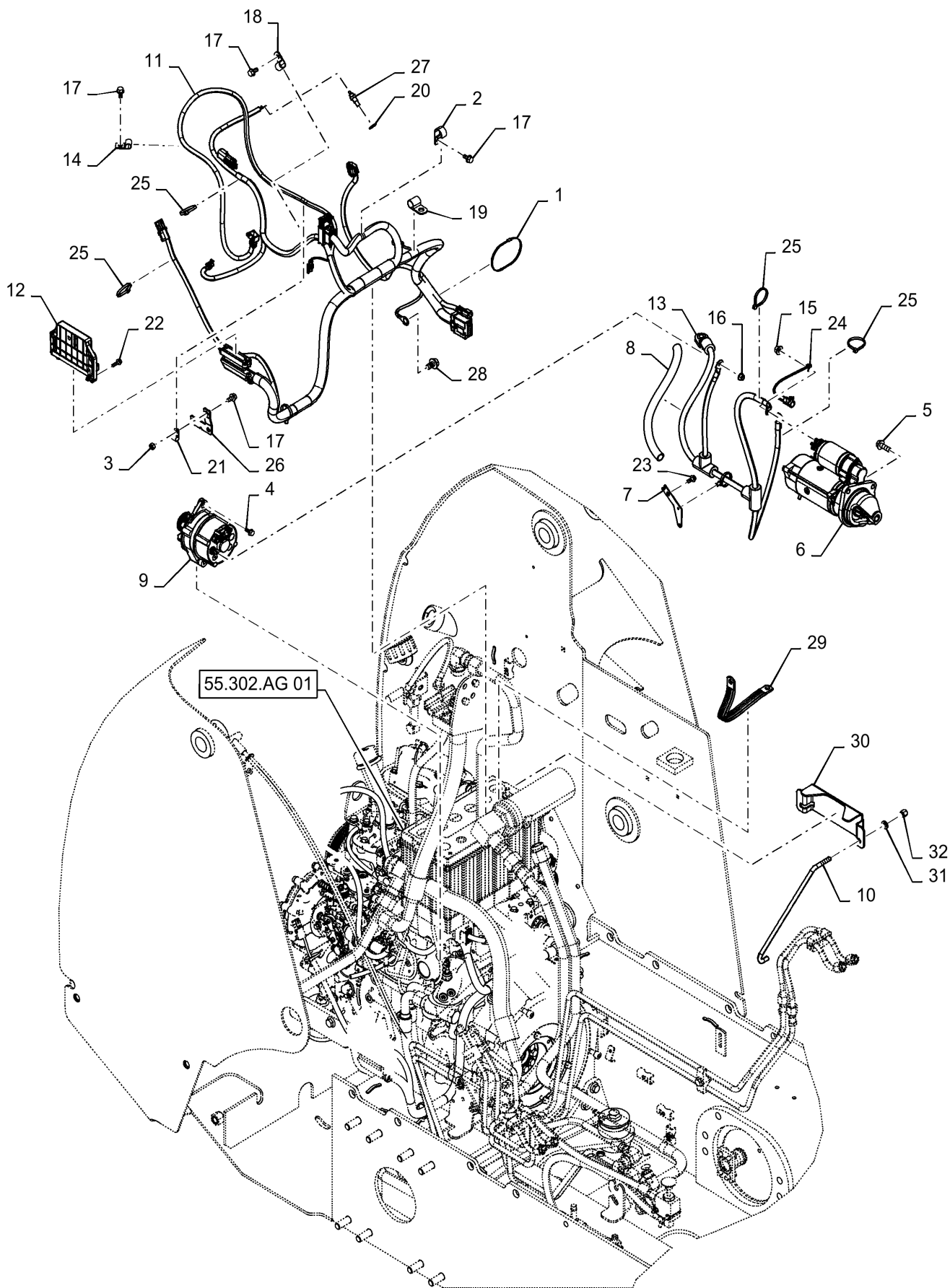
55.015.AB

01

p1

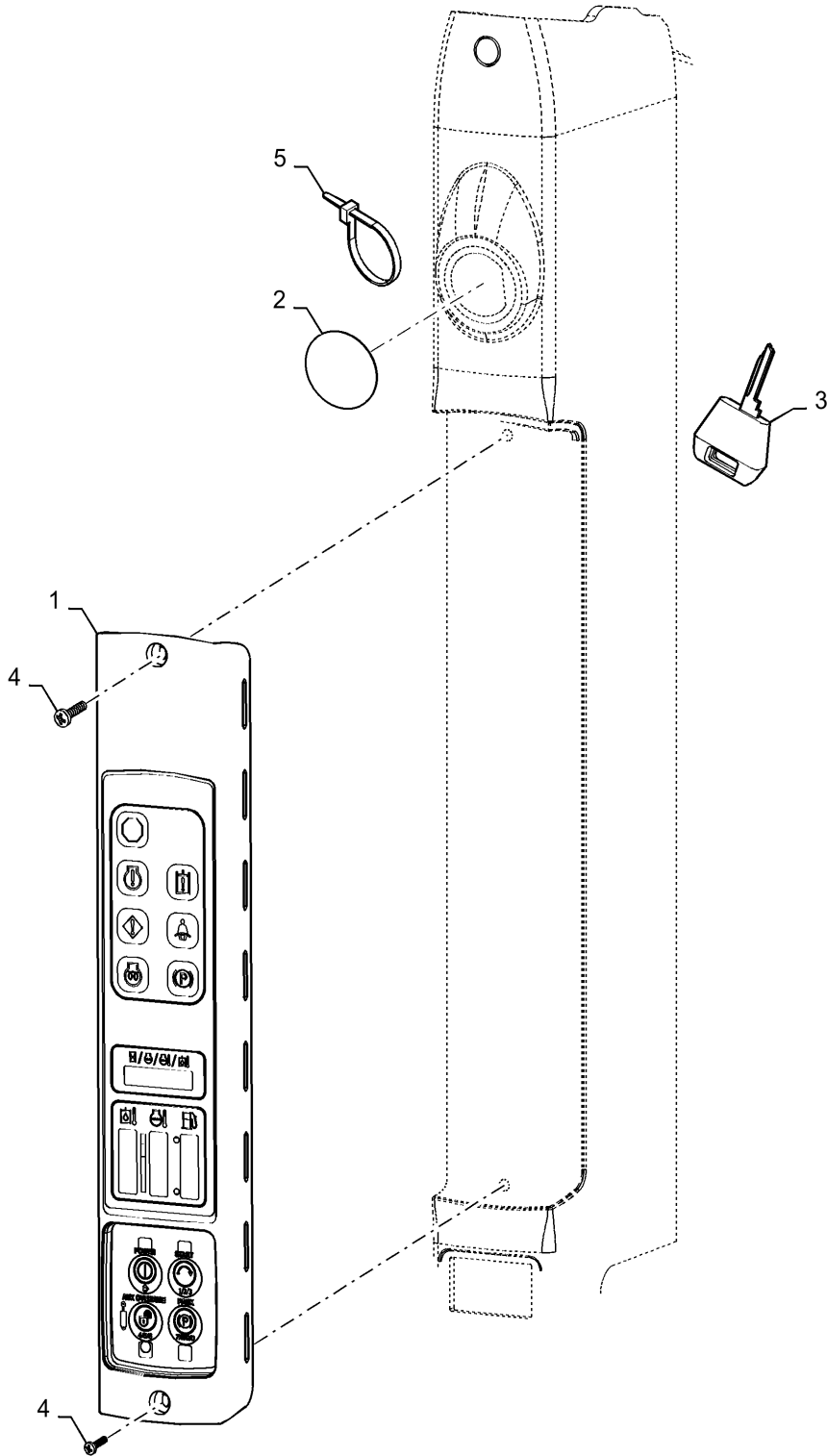
6/2018

ENGINE, ELECTRICAL (SV250,SV300,TV380)





INSTRUMENT PANEL, KEYLESS



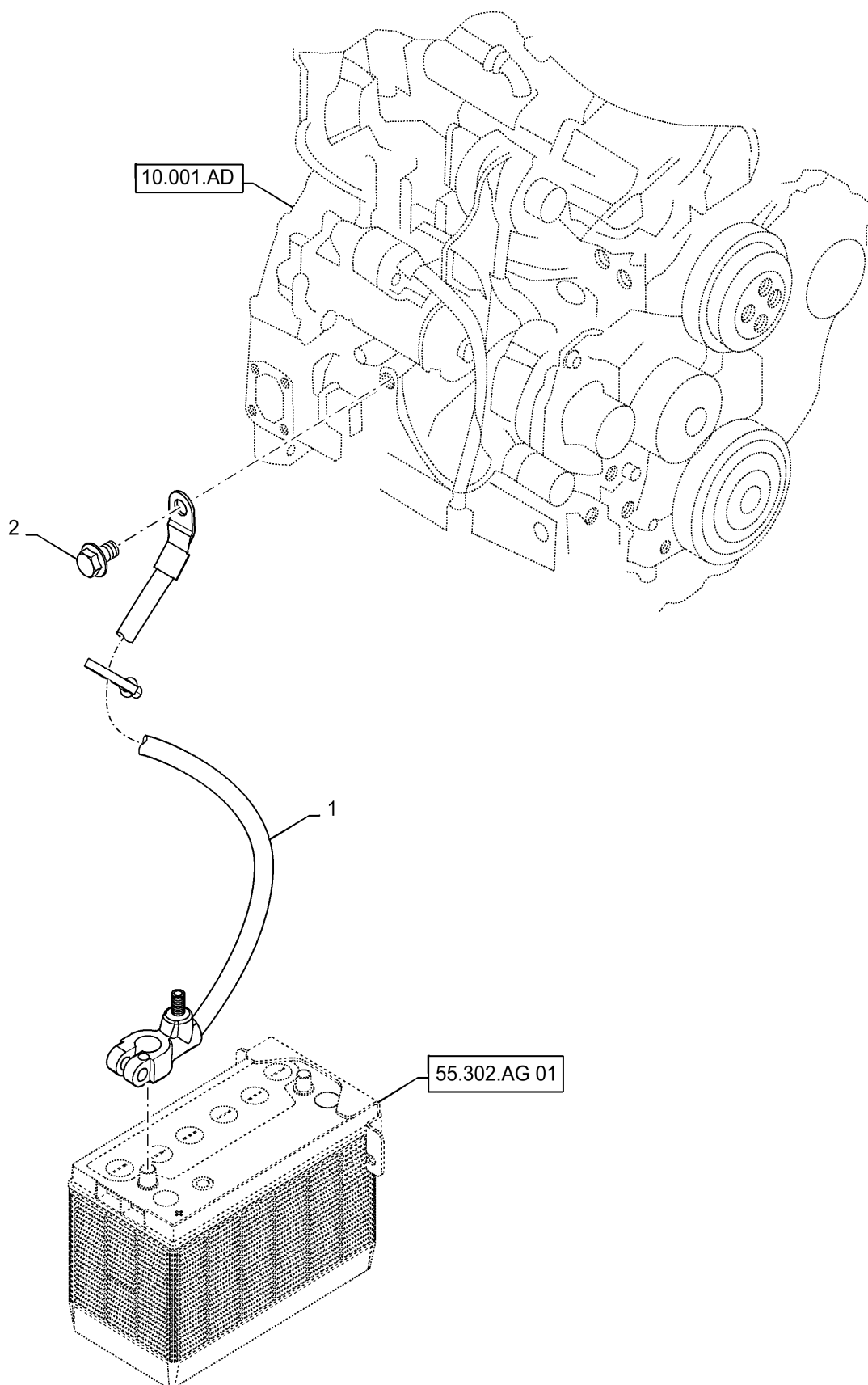
55.302.AI

02

p1

6/2018

NO BATTERY DISCONNECT LG (SR220-SV300,TR320, TV380)



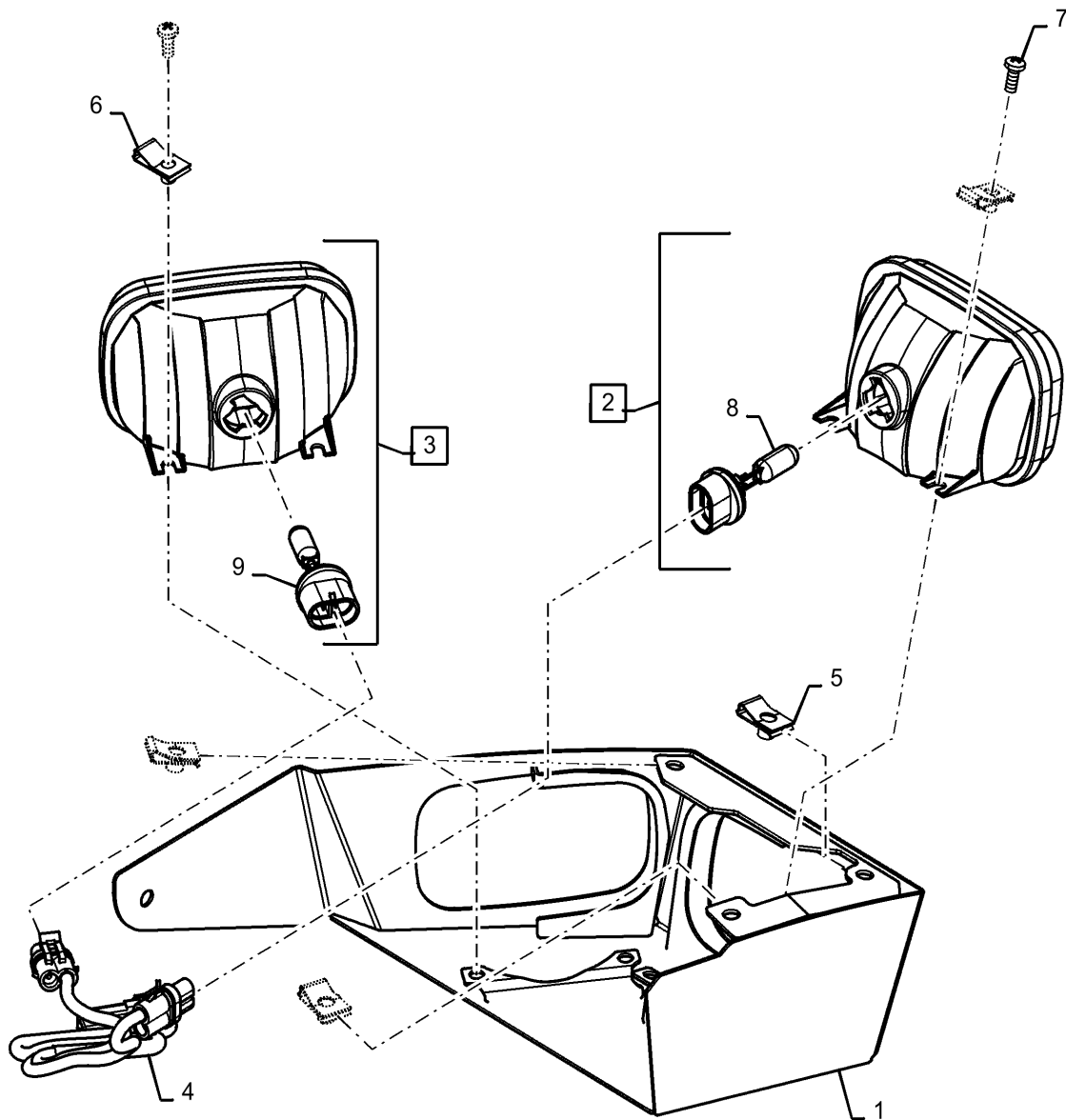
55.404.AL

02

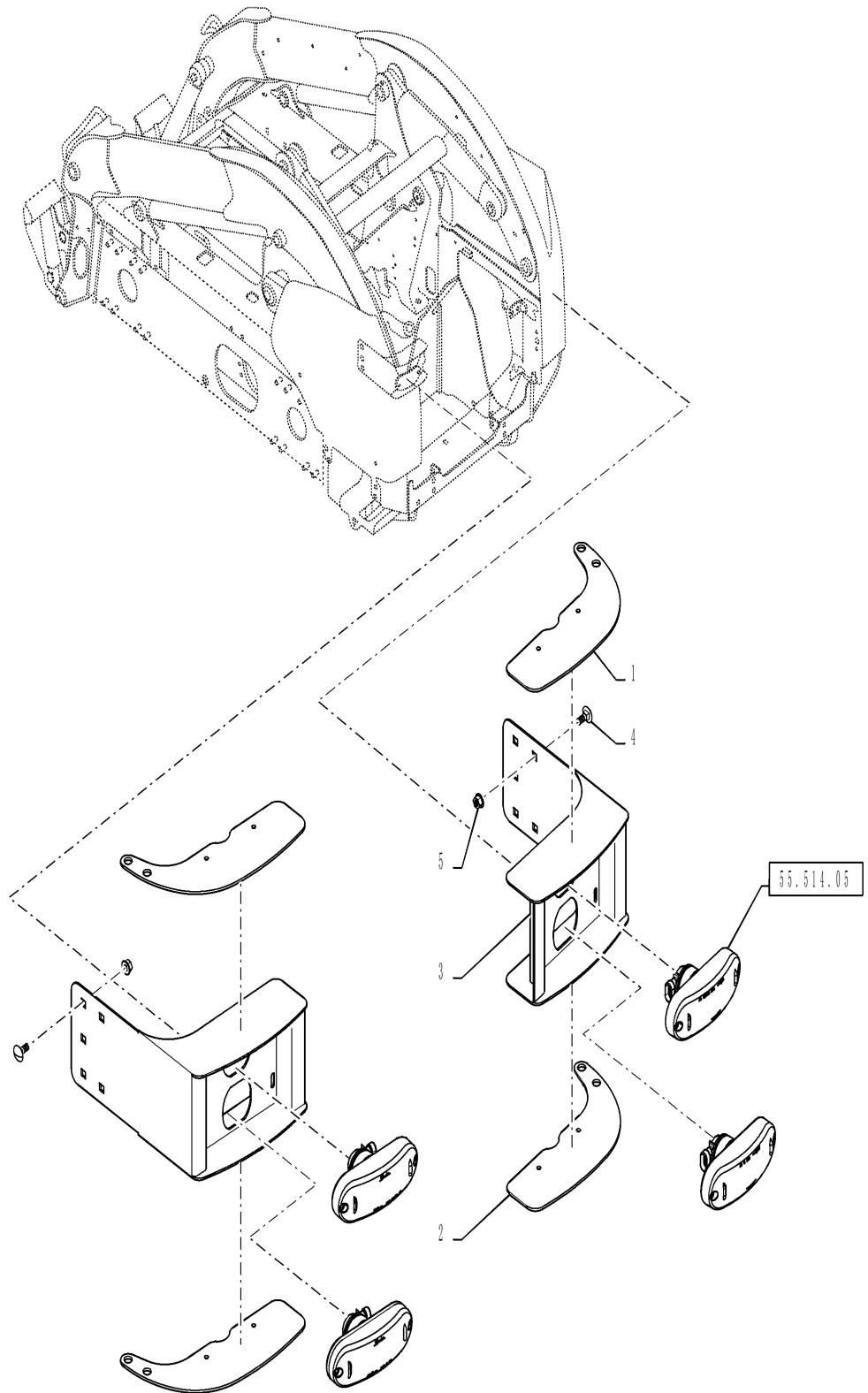
p1

6/2018

HEAVY DUTY, LH, FRONT LIGHT, 55 DEGREE



LAMP WORK REAR ASSEMBLY (SV185,SV250,SV300,TV380)



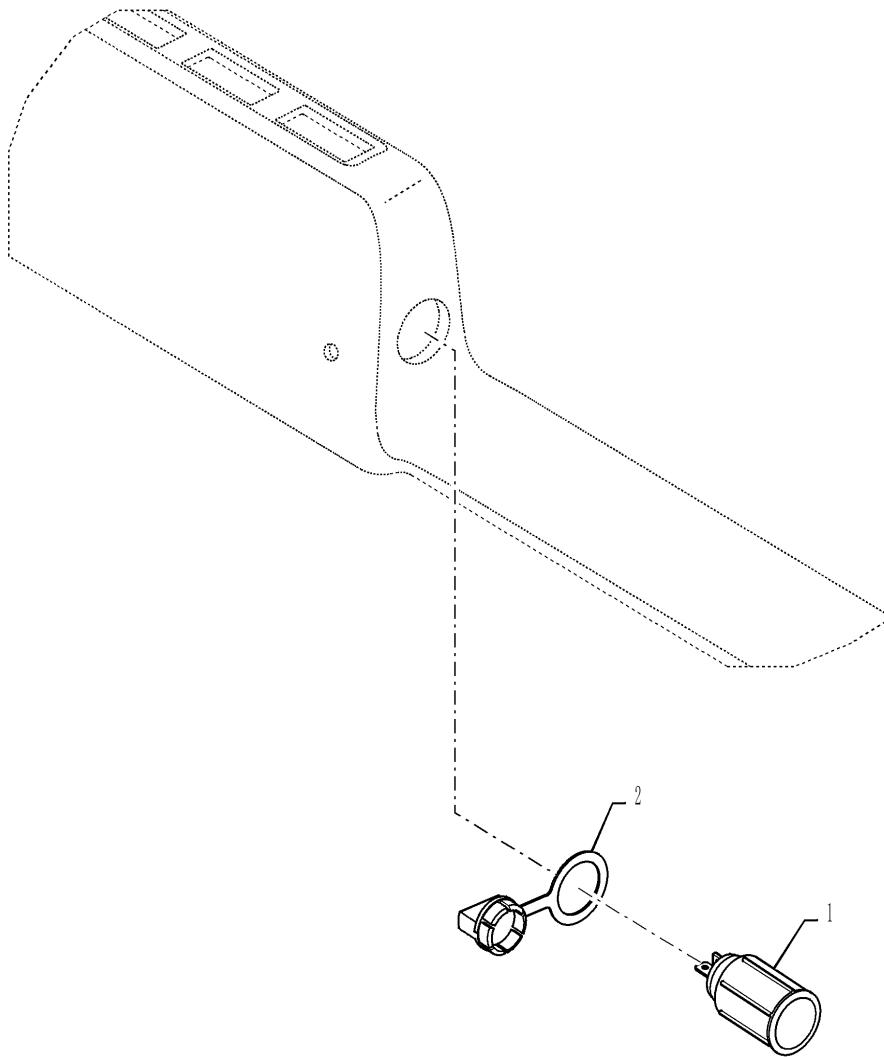
55.510.BM

01

p1

6/2018

ELECTRICAL ASSEMBLY SOCKET NA (ALL CASE)



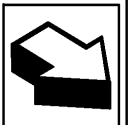
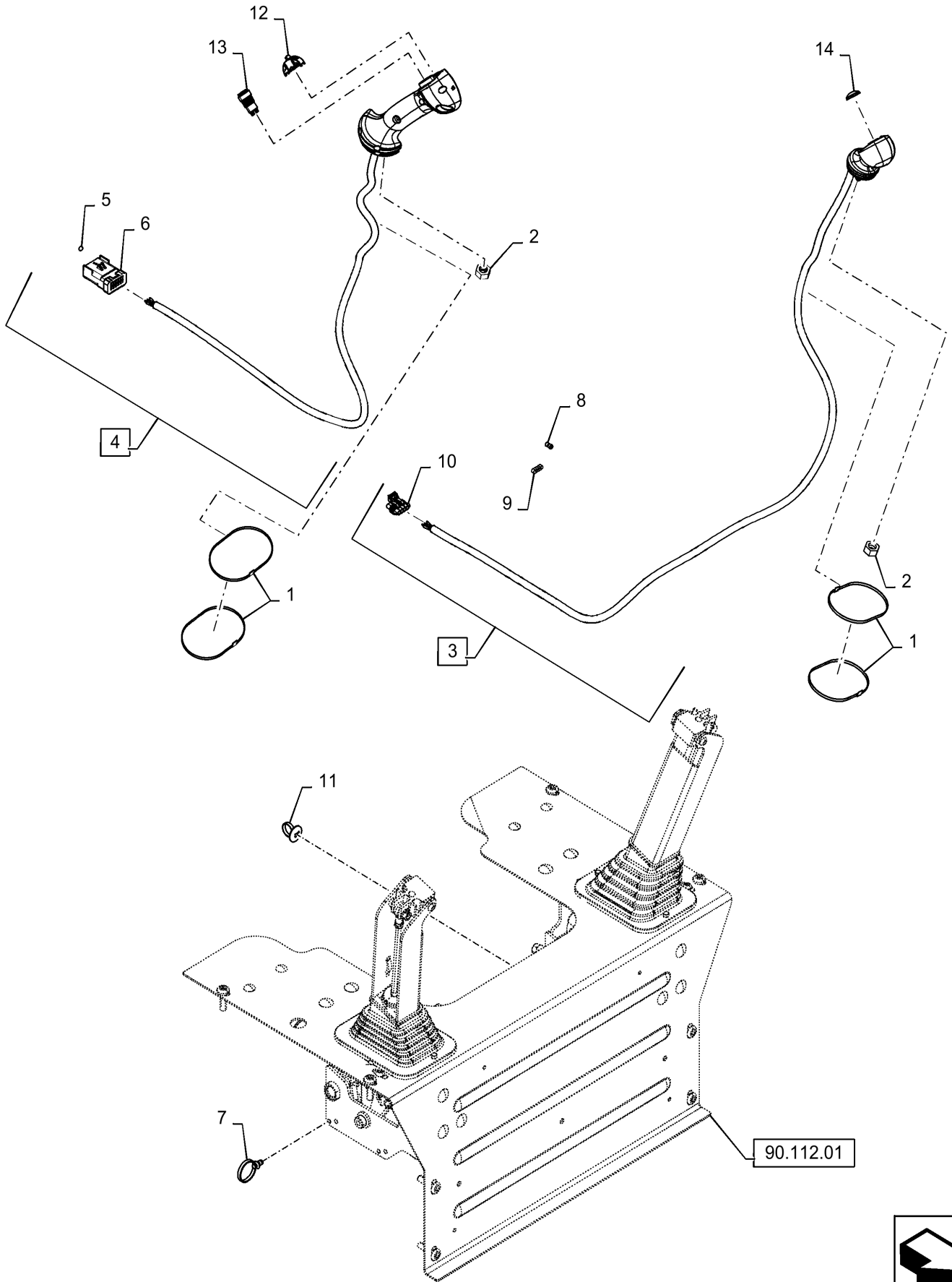
55.512.CL

02

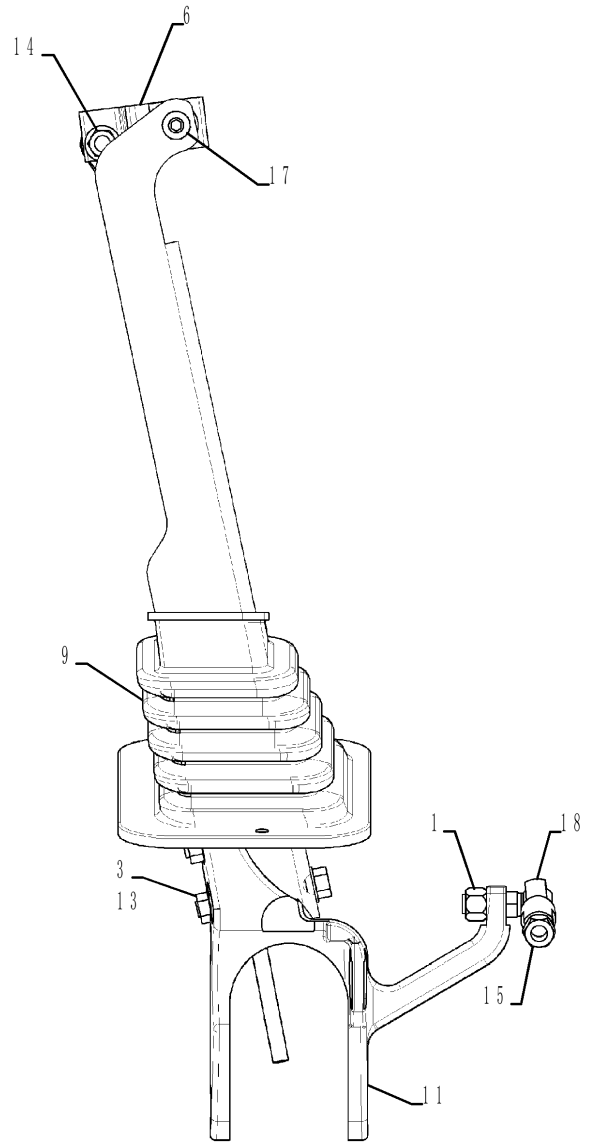
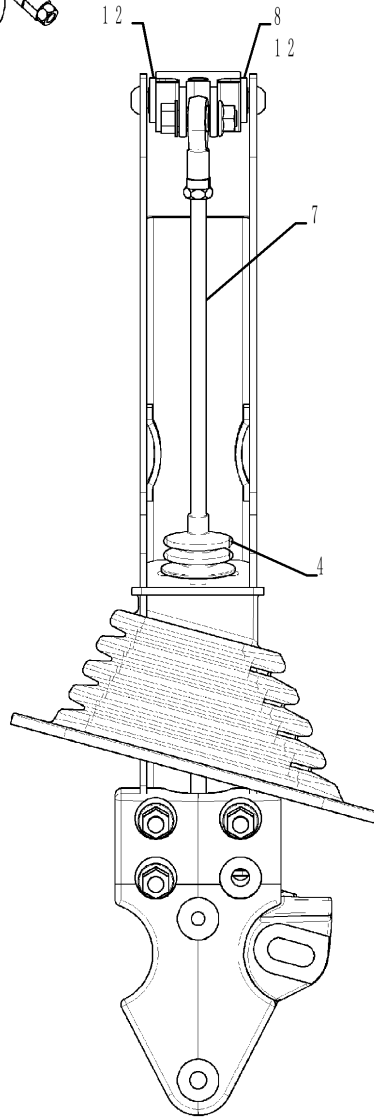
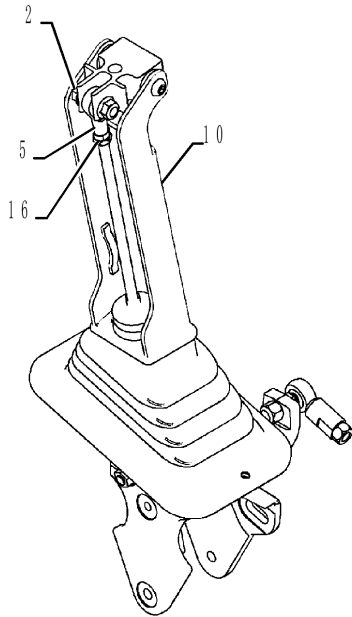
p1

6/2018

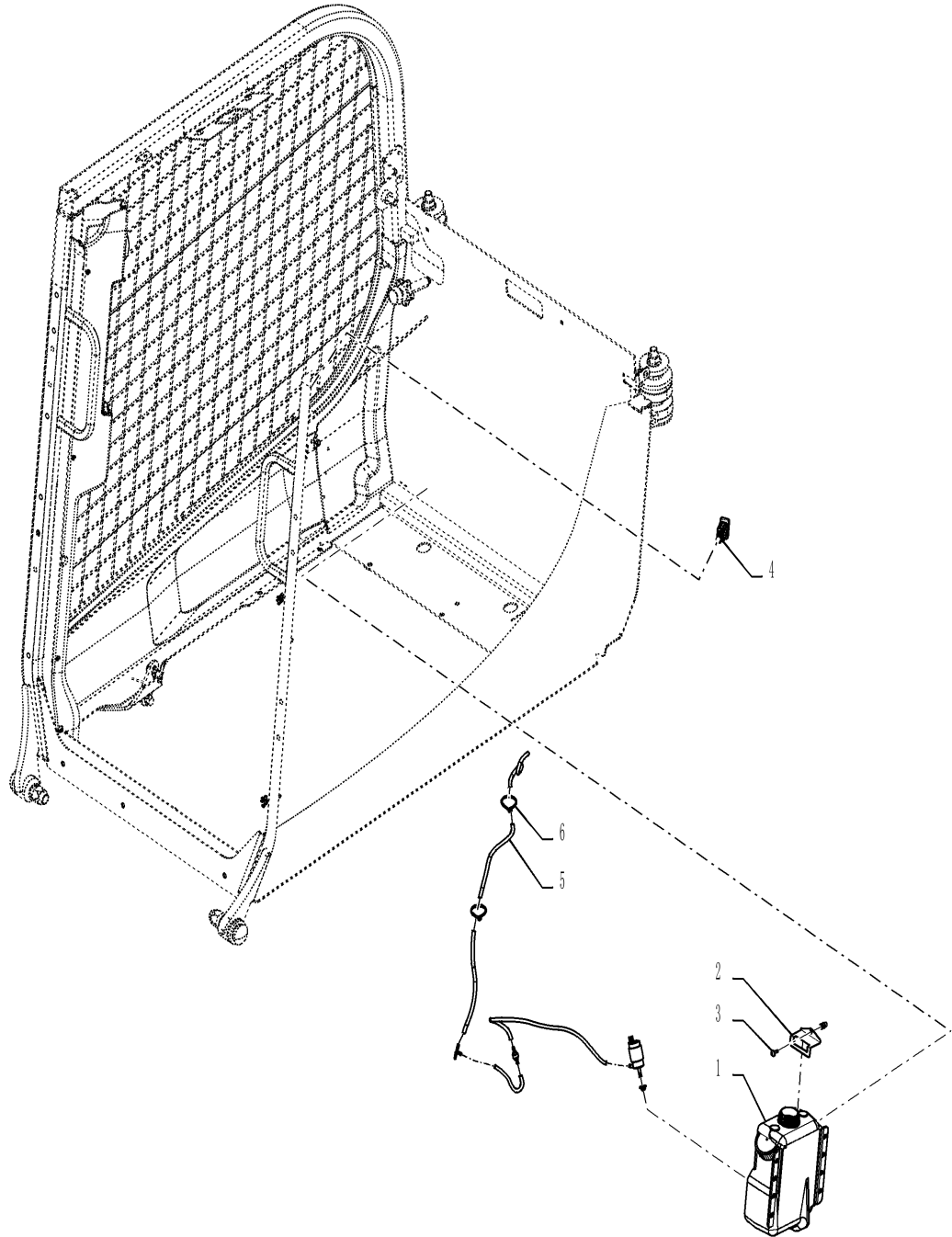
LEVEL 100 HANDLE GRIPS, 1-SPEED MECH CONTROLS



HAND CONTROLS, HANDLE LH (ALL CASE)



WASHER BOTTLE, REAR (ALL CASE)



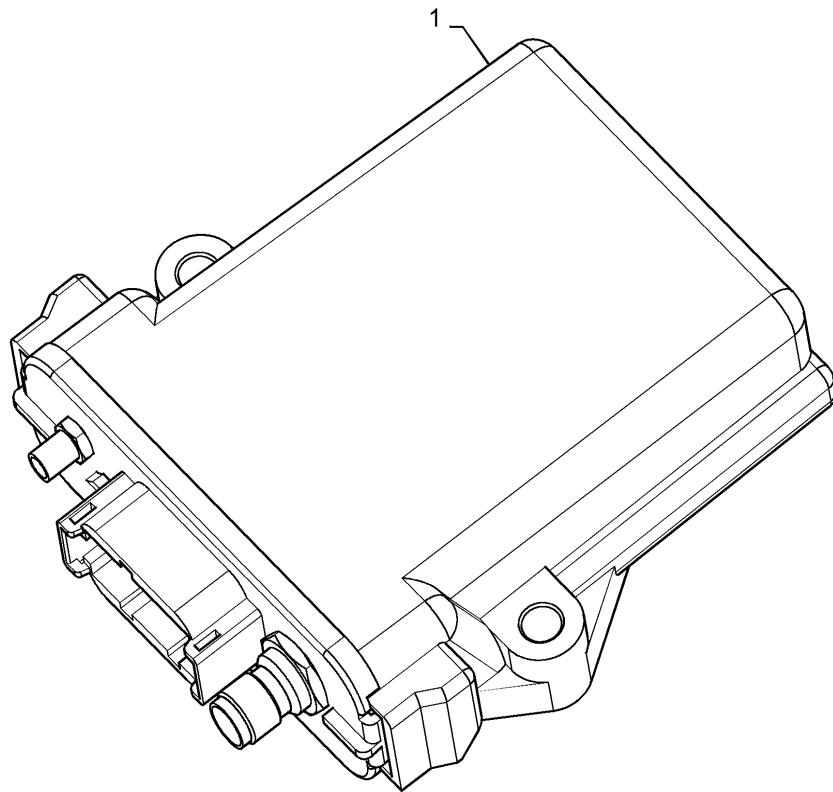
**55.991.AA**

01

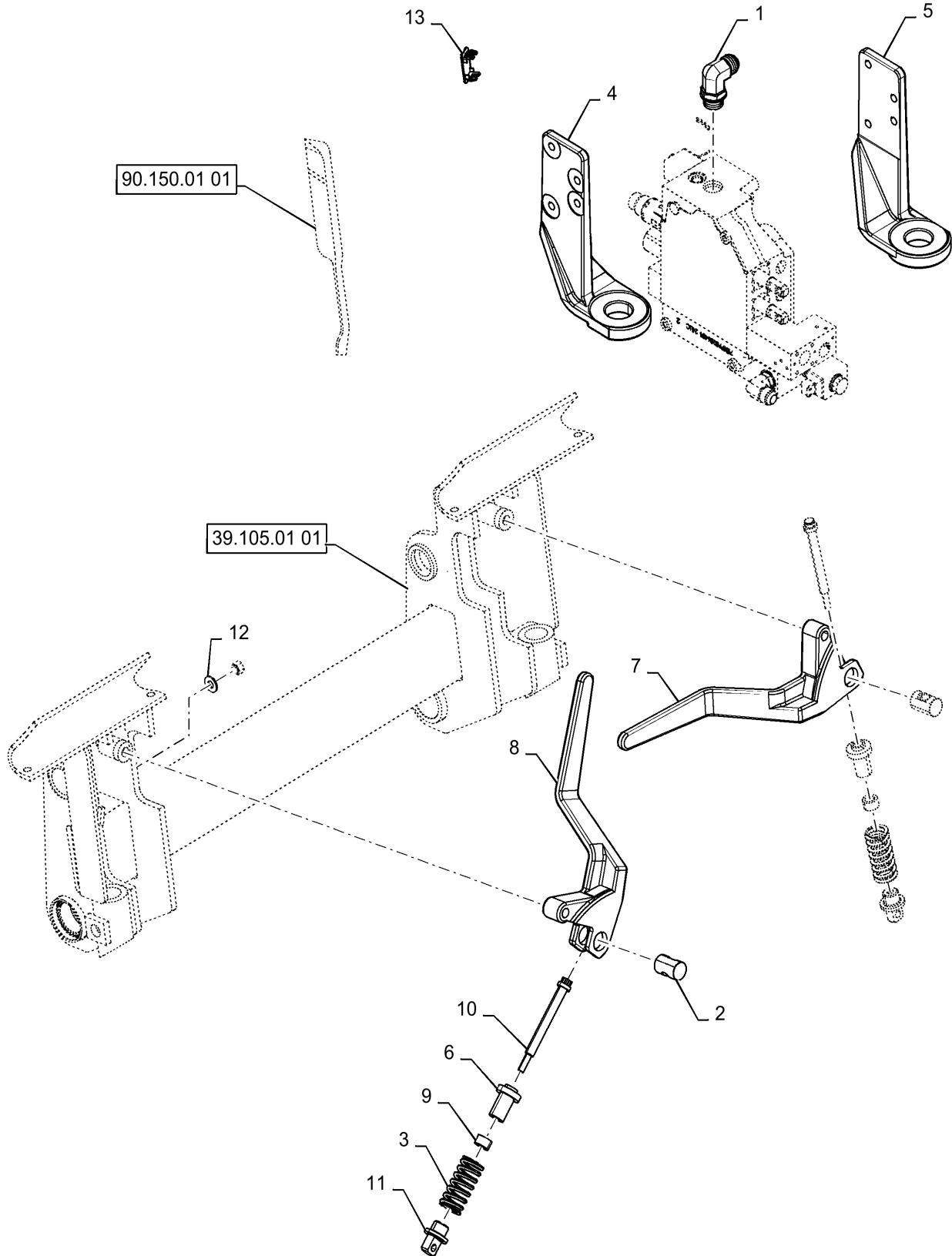
p1

6/2018

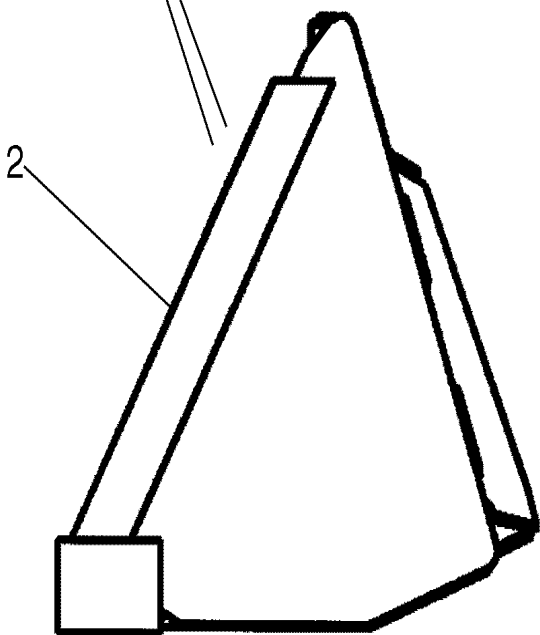
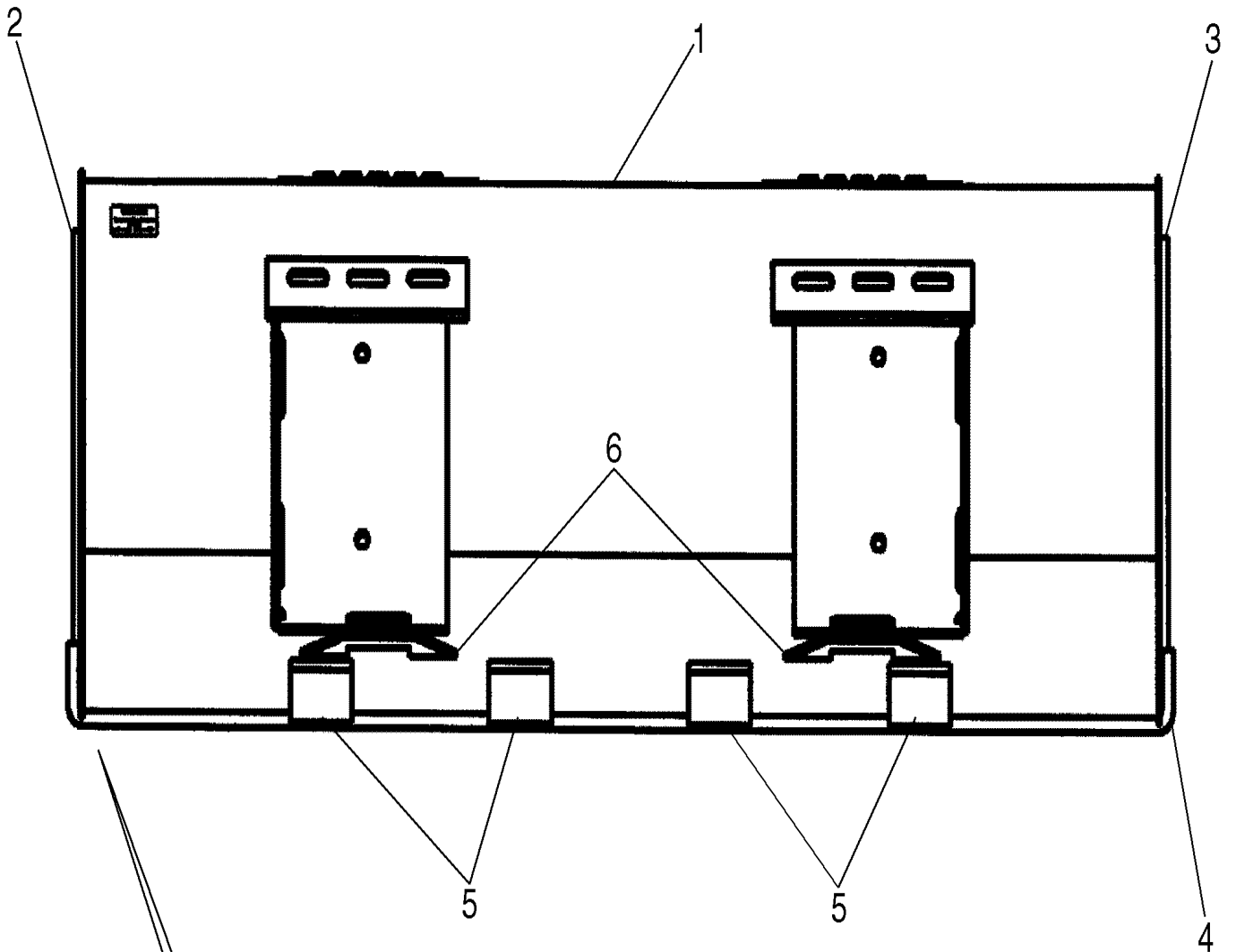
ELECTRONIC CONTROL UNIT, TELEMATICS



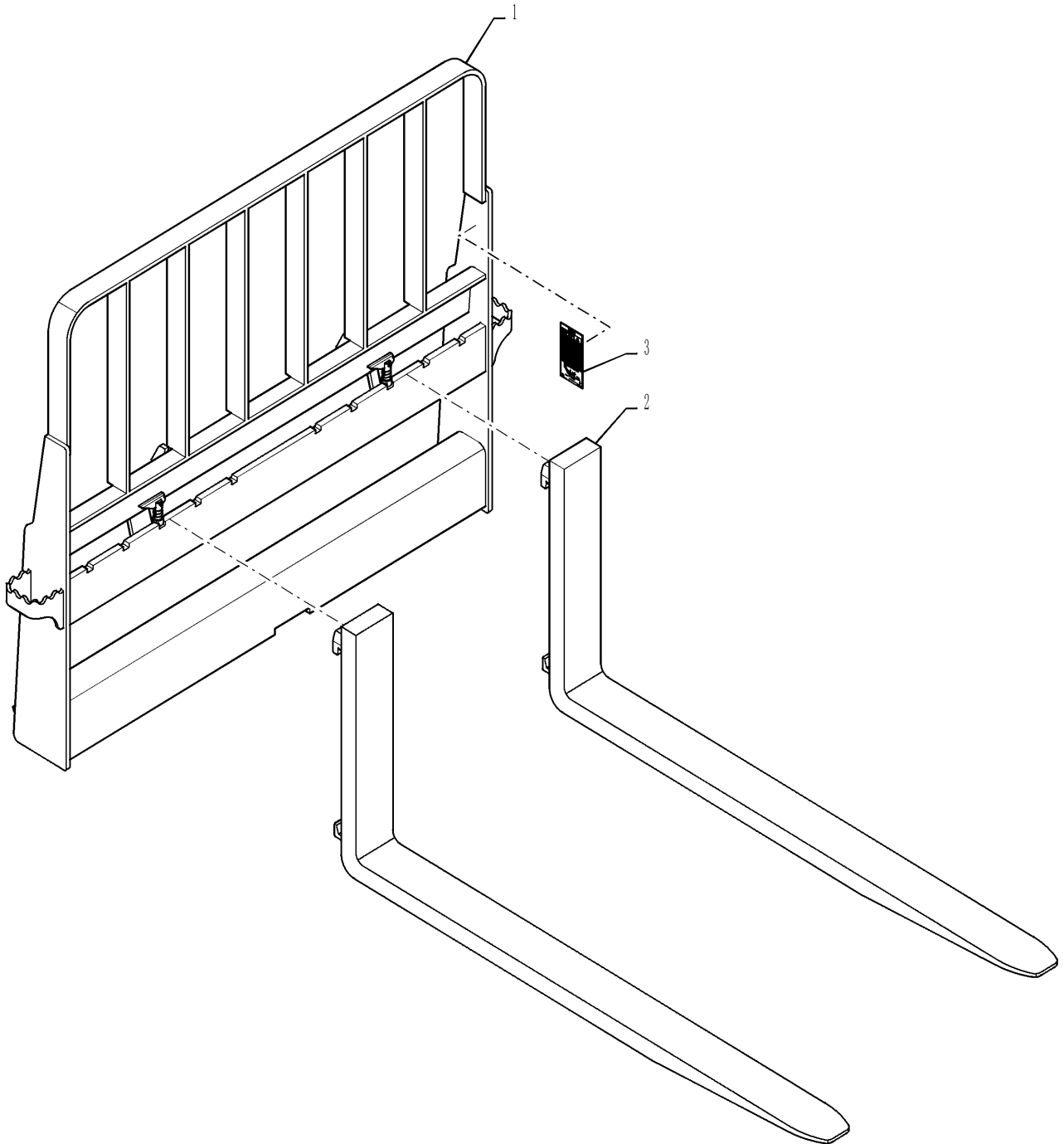
MANUAL COUPLER (SR200 - SV250, TR270)



BUCKETS - LOADER, DIRT / FOUNDRY



PALLET FORK 48 TINE (ALL CASE)



CLICK HERE TO **DOWNLOAD** THE COMPLETE MANUAL

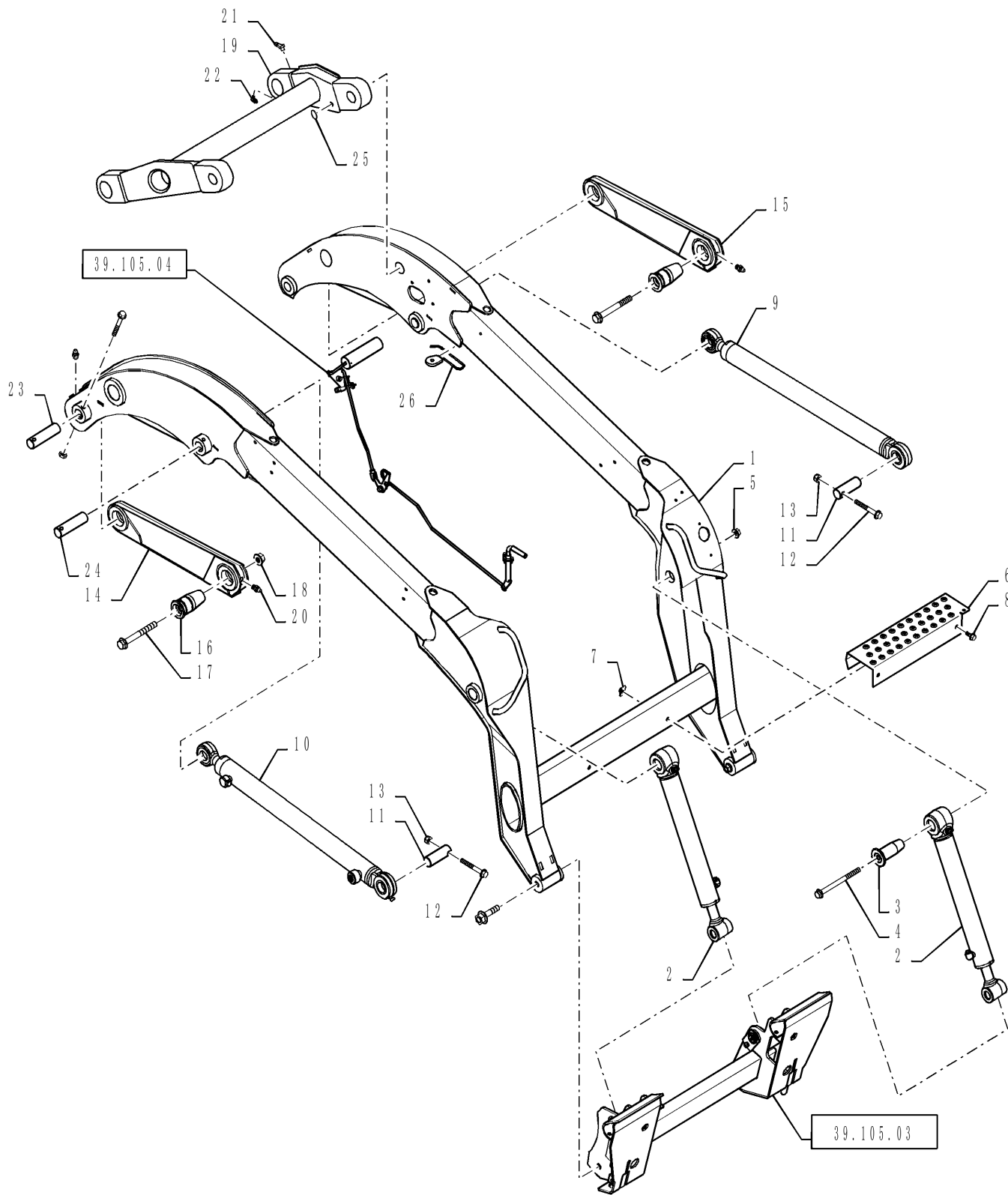
- Thank you very much for reading the preview of the manual.
- You can download the complete manual from: [www.heydownloads.com](http://www.heydownloads.com) by clicking the link below



- Please note: If there is no response to CLICKING the link, please download this PDF first and then click on it.

CLICK HERE TO **DOWNLOAD** THE COMPLETE MANUAL

BOOM SV250



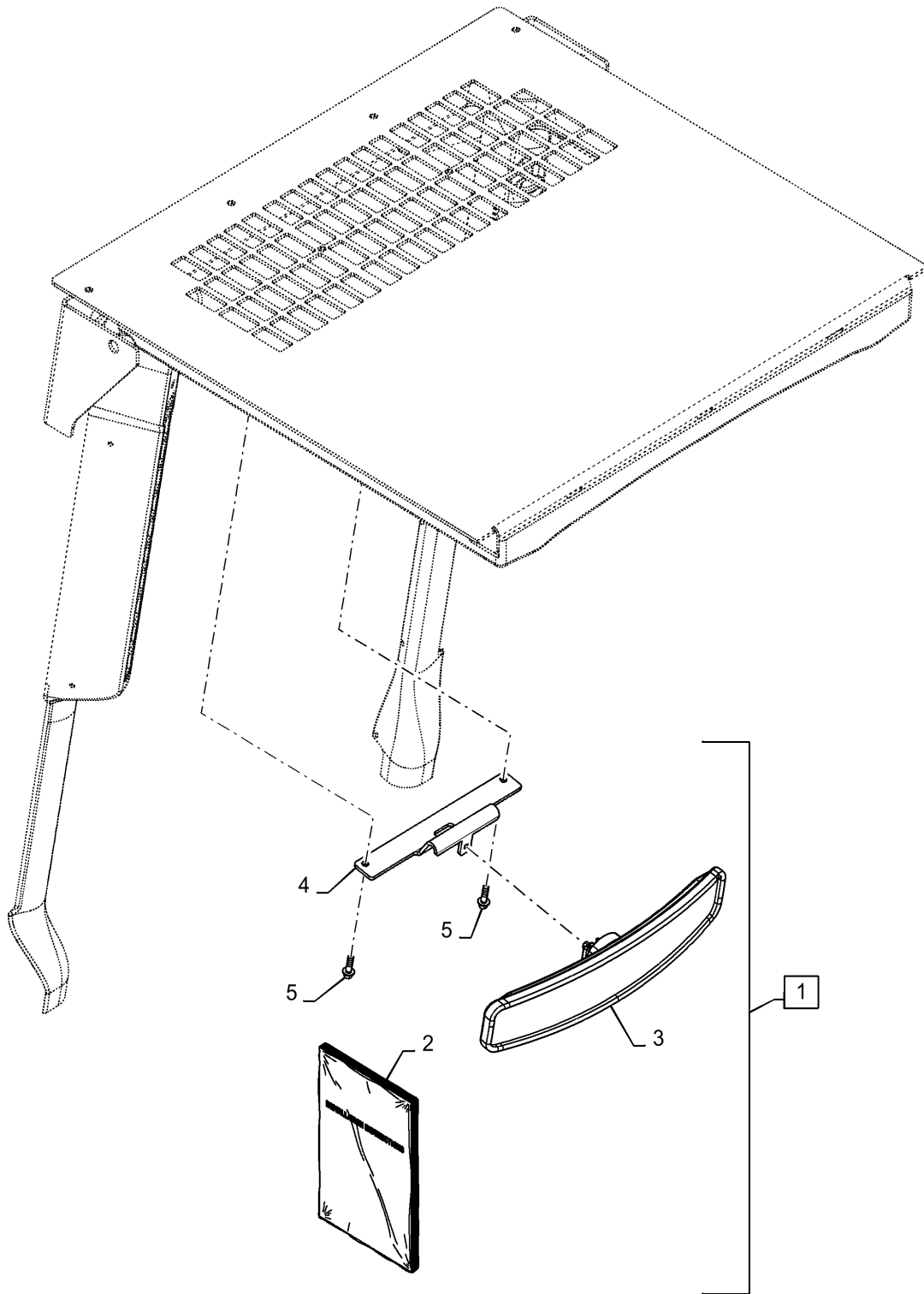
88.100.090

06

p1

6/2018

DIA KIT, INTERIOR MIRROR



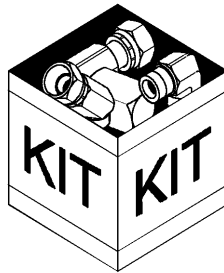
**88.100.35**

04

p1

6/2018

DIA KIT, SELF-LEVEL BUCKET, 60 PERCENT (SV250,SV300,TV380)



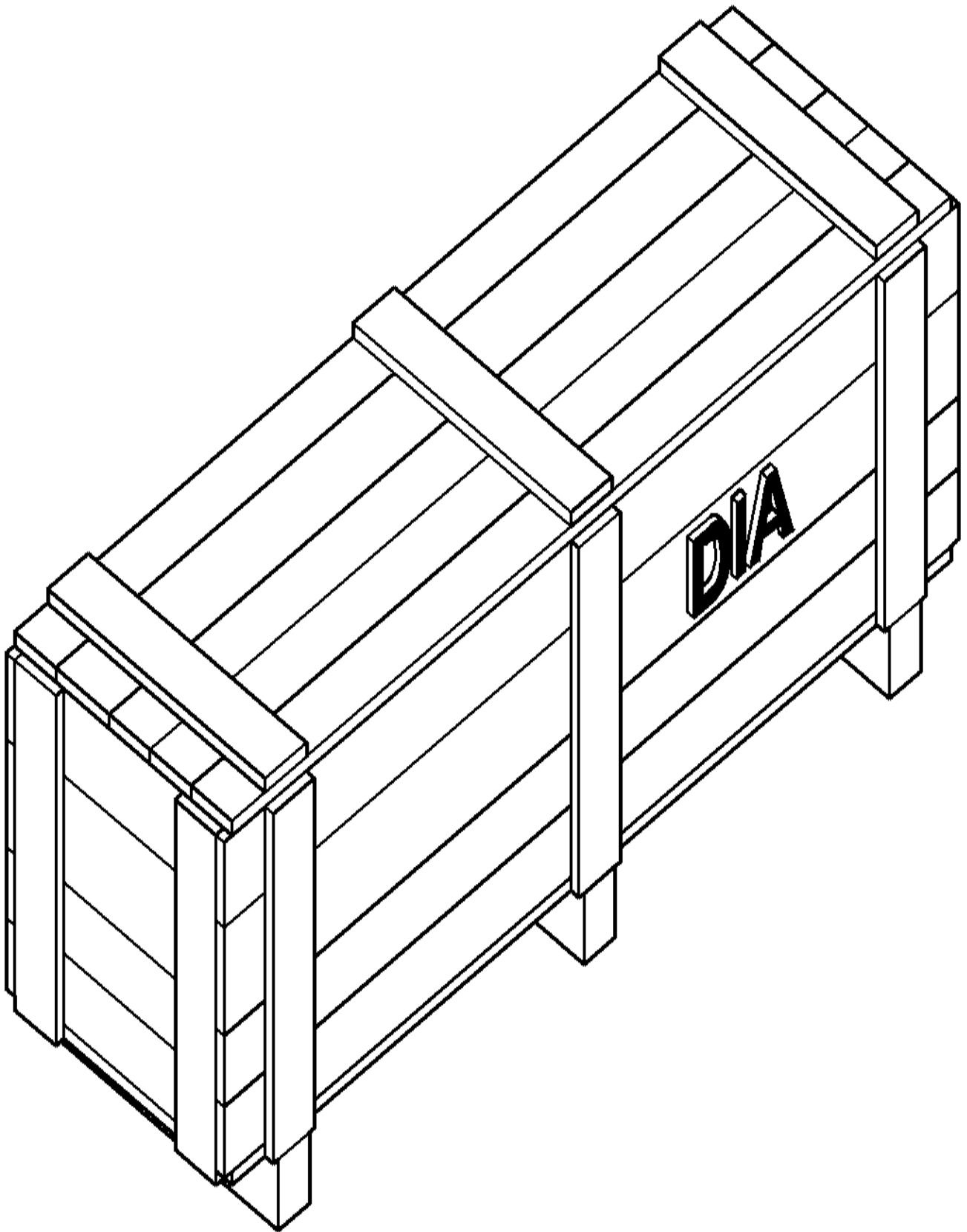
**88.100.35**

12

p1

6/2018

DIA KIT, HIGH FLOW AUX - LG VERT (SV250,SV300,TV380)



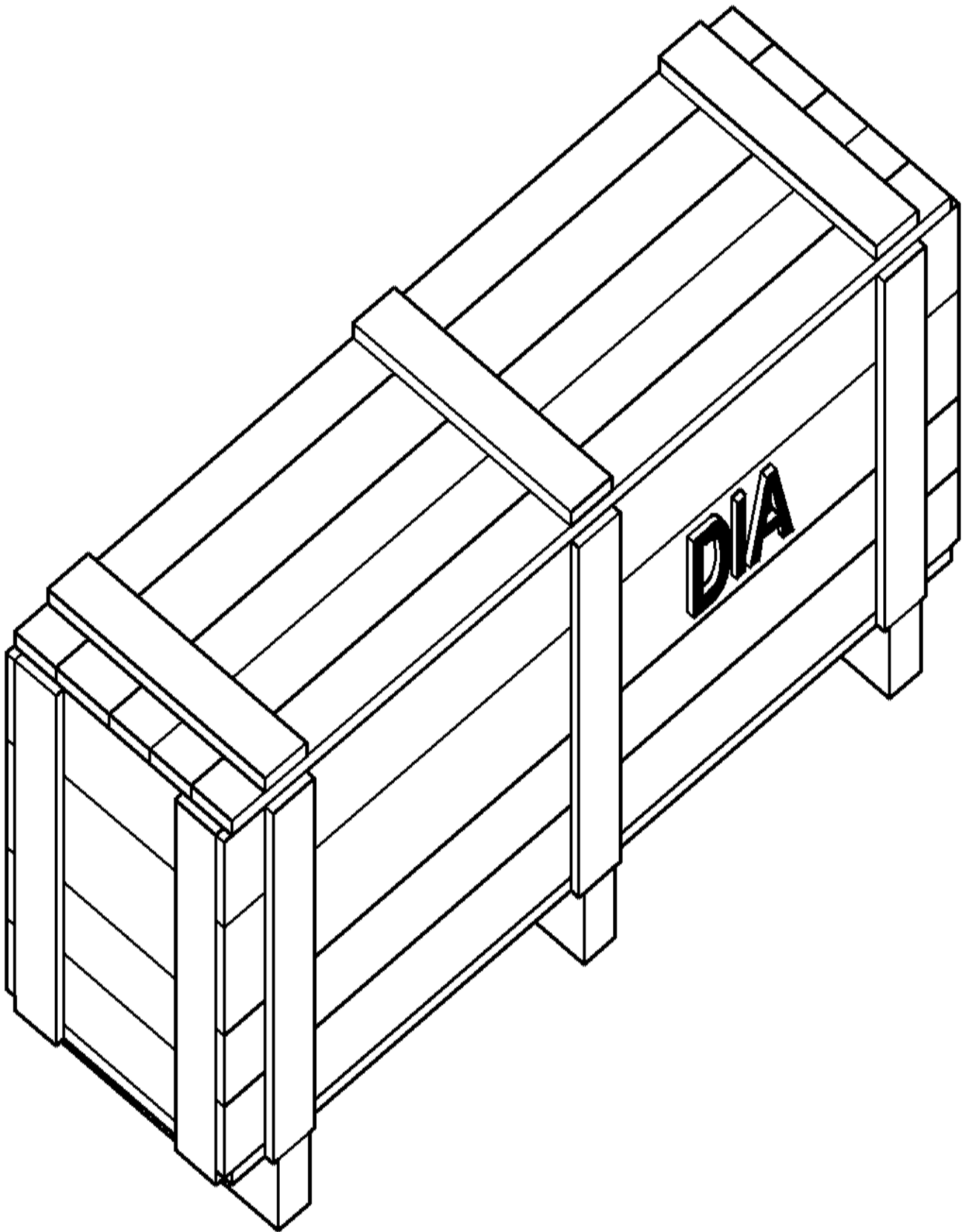
**88.100.35**

20

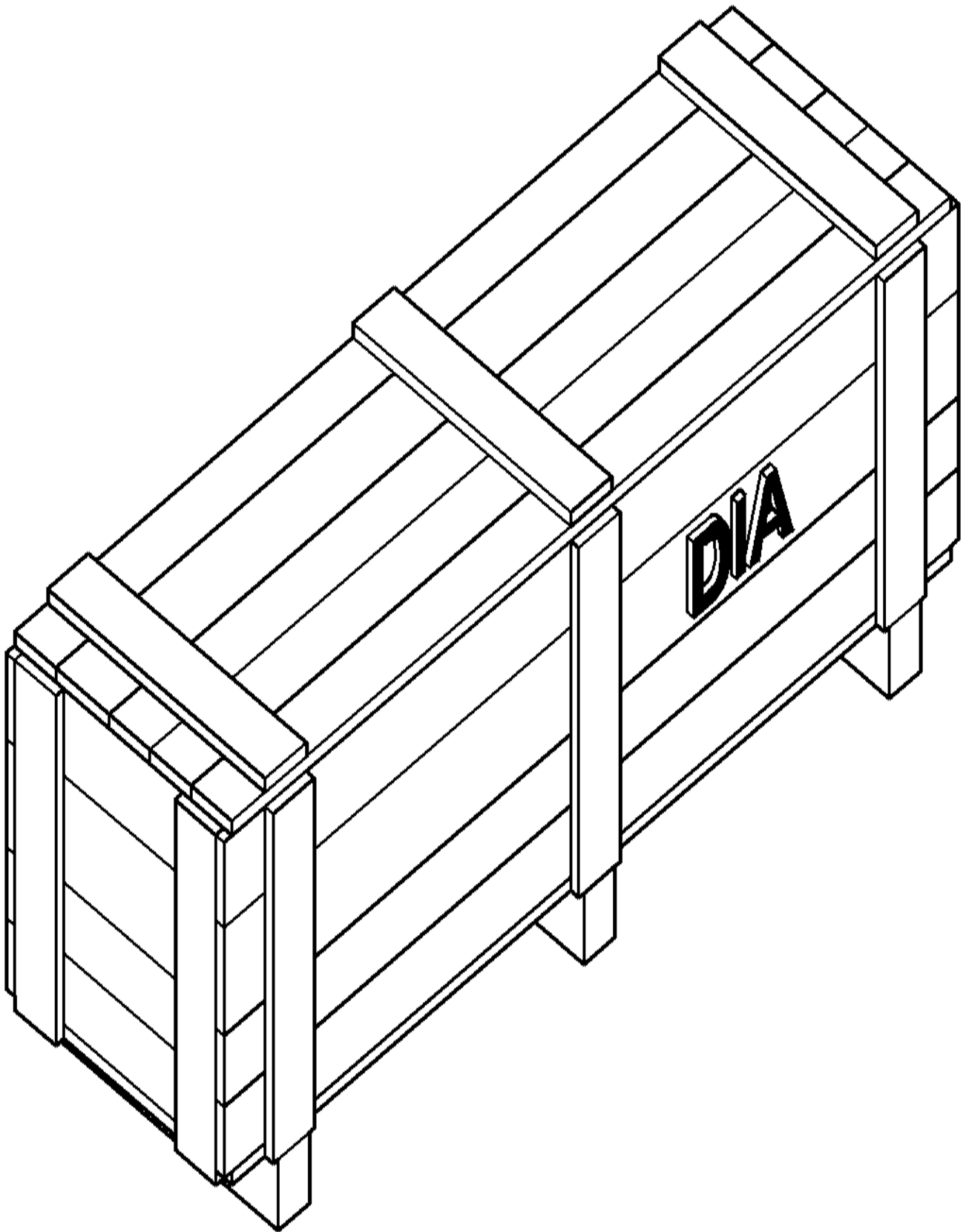
p1

6/2018

DIA KIT, CYLINDER GUARD (ALL CASE)



DIA KIT, ROPS SERVICE FRAME



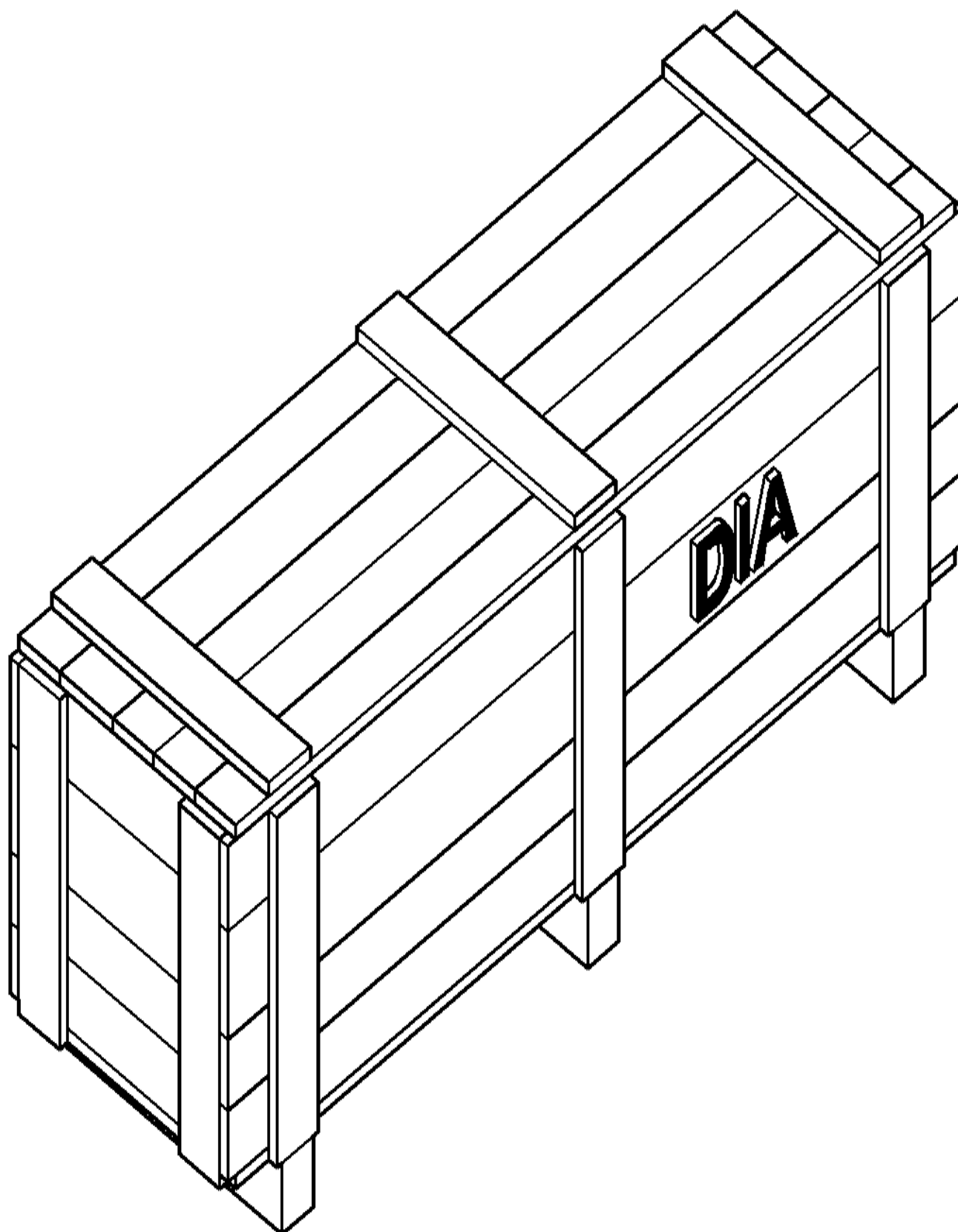
**88.100.50**

02

p2

6/2018

DIA KIT, COMPLETE HVAC



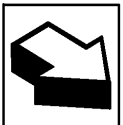
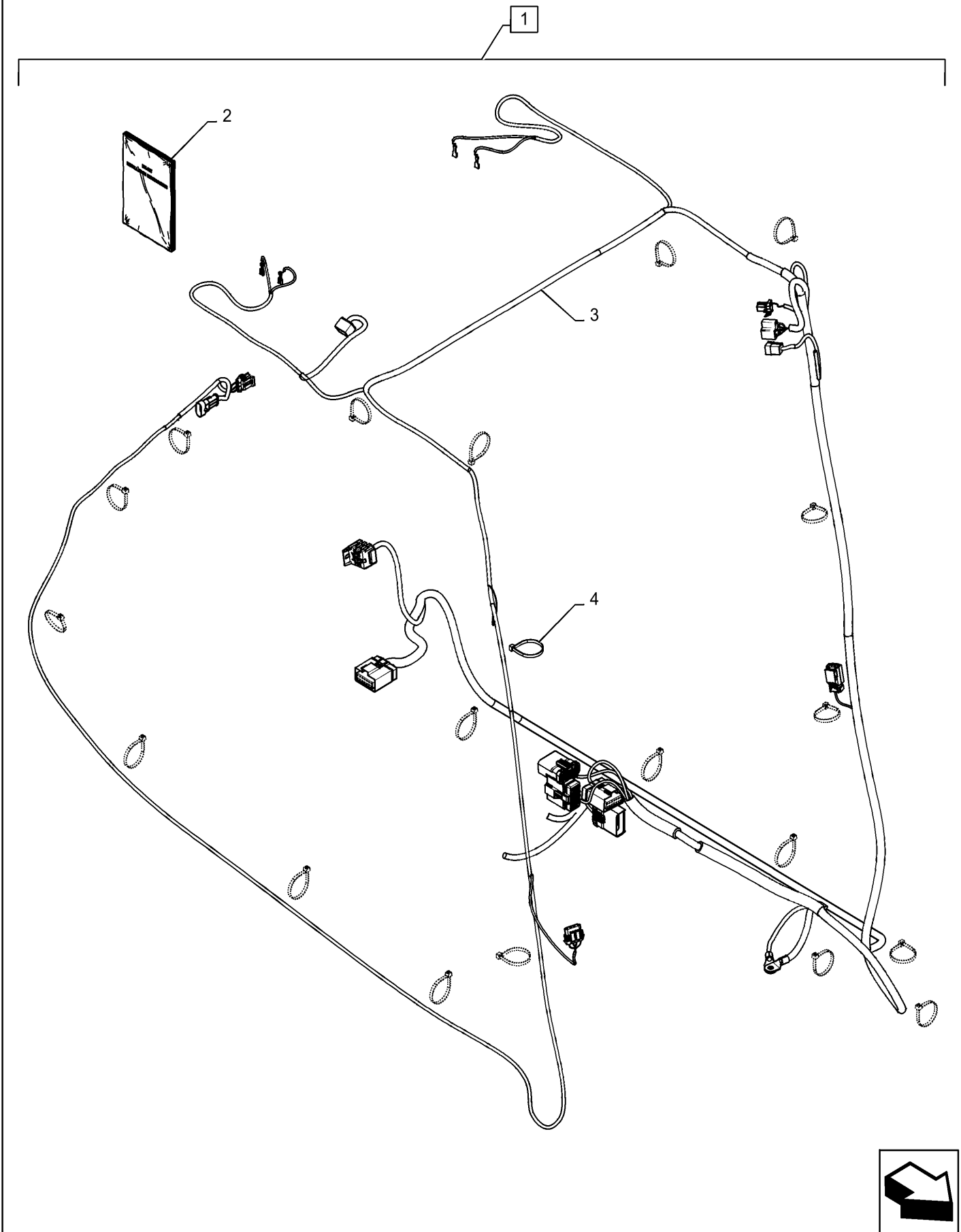
88.100.55

08

p1

6/2018

DIA KIT, E-H JUMPER HARNESS



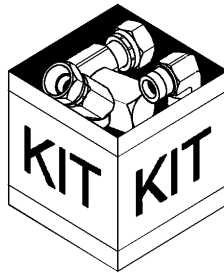
**88.100.55**

14

p1

6/2018

DIA KIT, BEACON (ALL CASE)



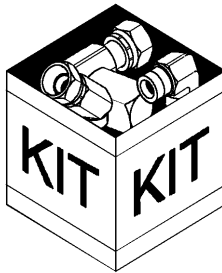
**88.100.55**

23

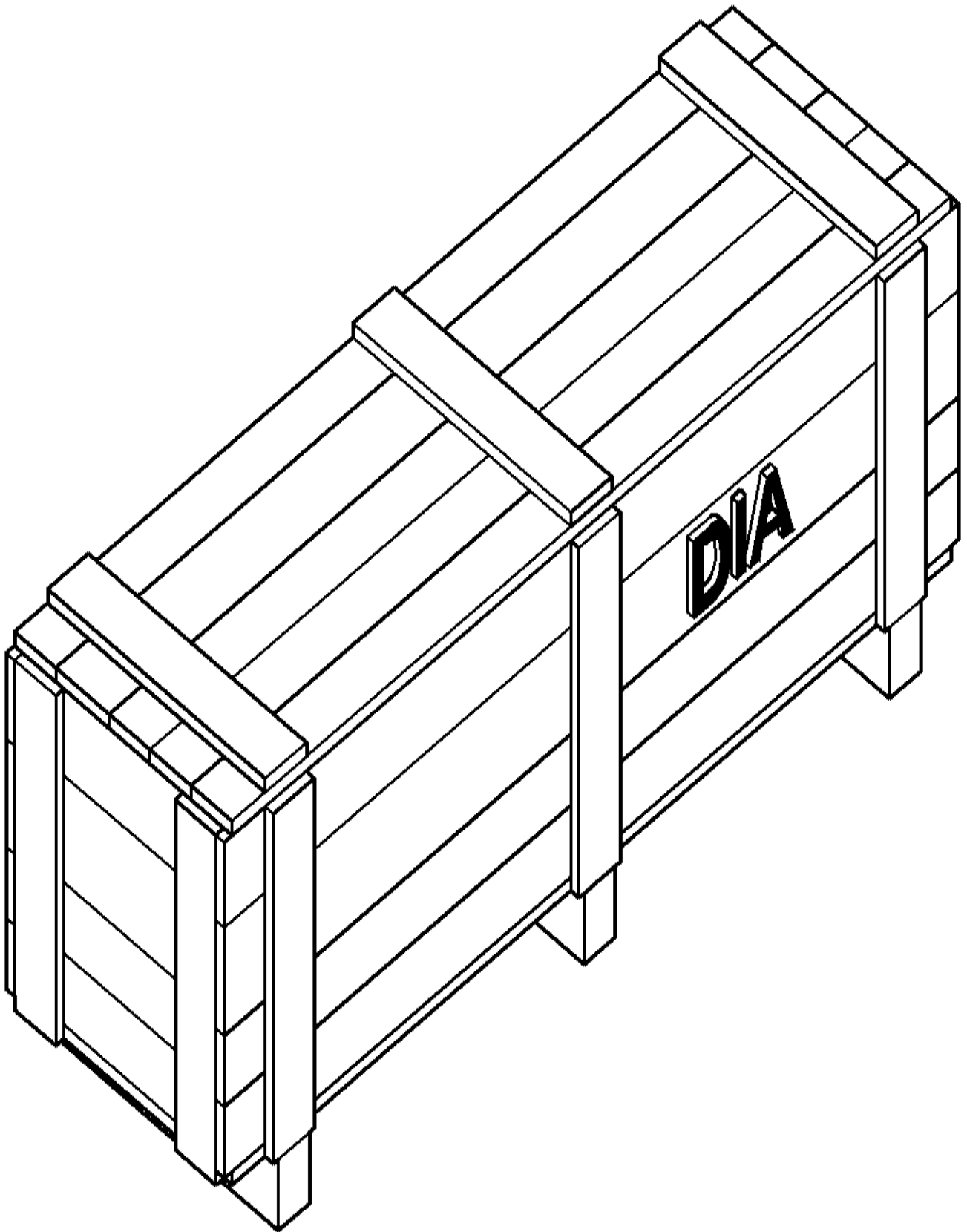
p2

6/2018

DIA KIT, LG FRM FOOT CONTROLS, SERVO (SR220-SV300)



KIT, BOOM



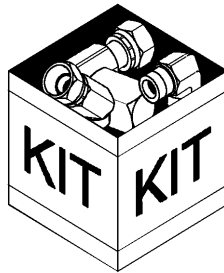
**88.100.82**

08

p1

6/2018

DIA KIT, 78IN BUCKET CUTTING EDGE (SR175-TV380)



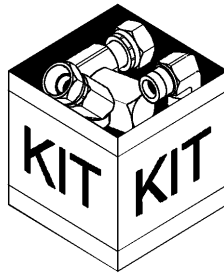
**88.100.82**

12

p1

6/2018

DIA KIT, PALLET FORK 48IN TINES (ALL CASE)



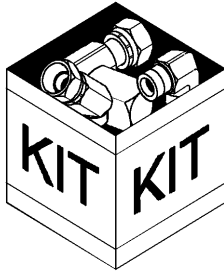
**88.100.90**

03

p1

6/2018

DIA KIT, GLASS FRONT DOOR (ALL CASE)



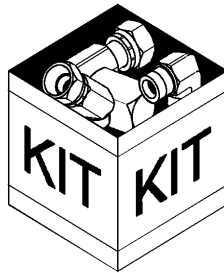
**88.100.90**

08

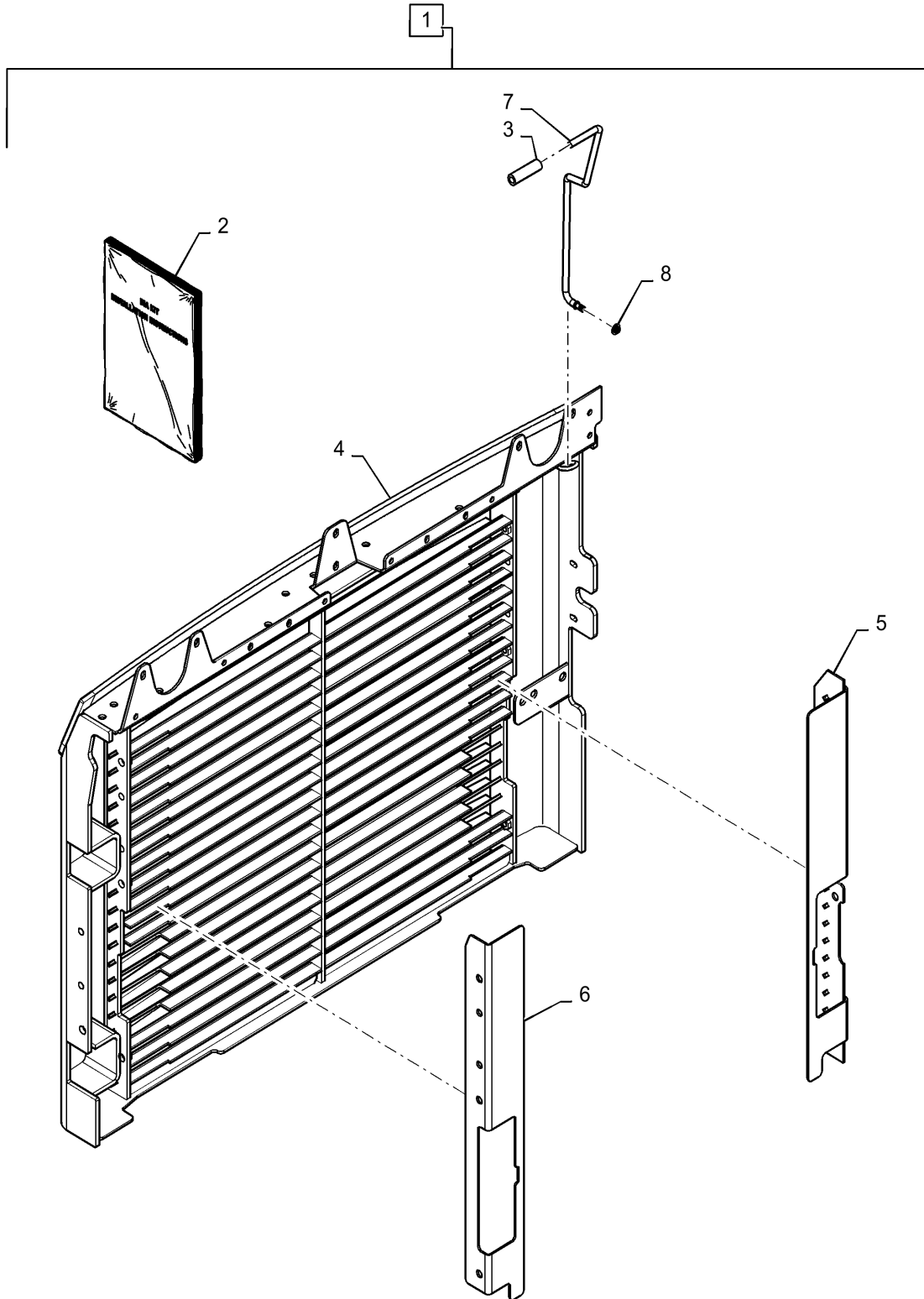
p1

6/2018

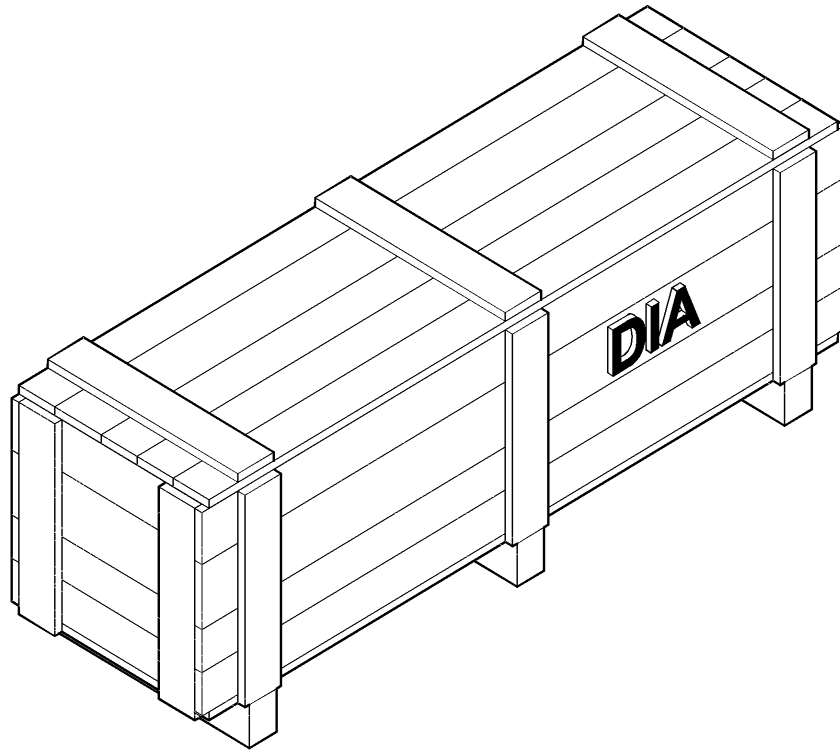
DIA KIT, LH, SIDE SCREEN (ALL CASE)



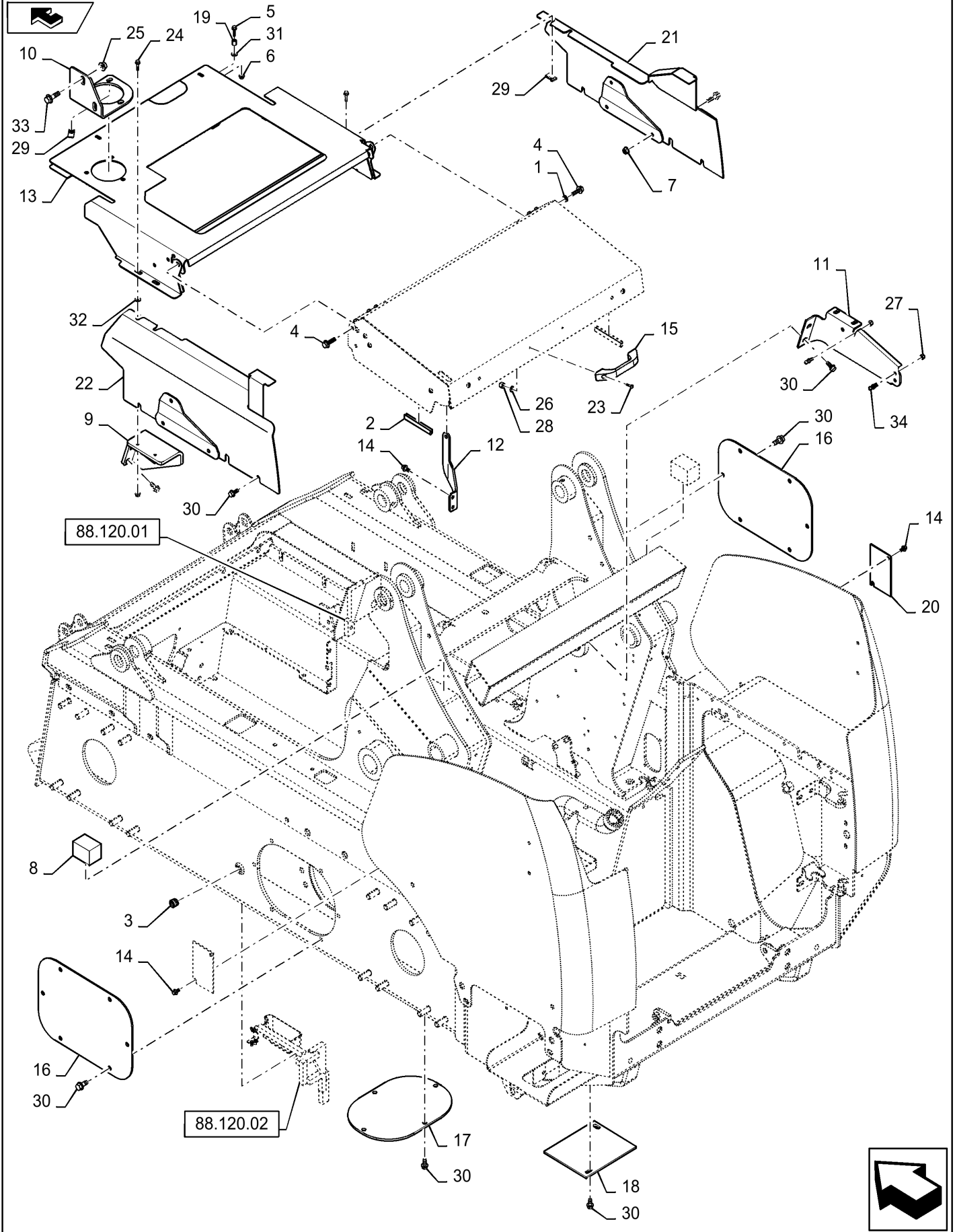
DIA KIT - HEAVY DUTY REAR DOOR



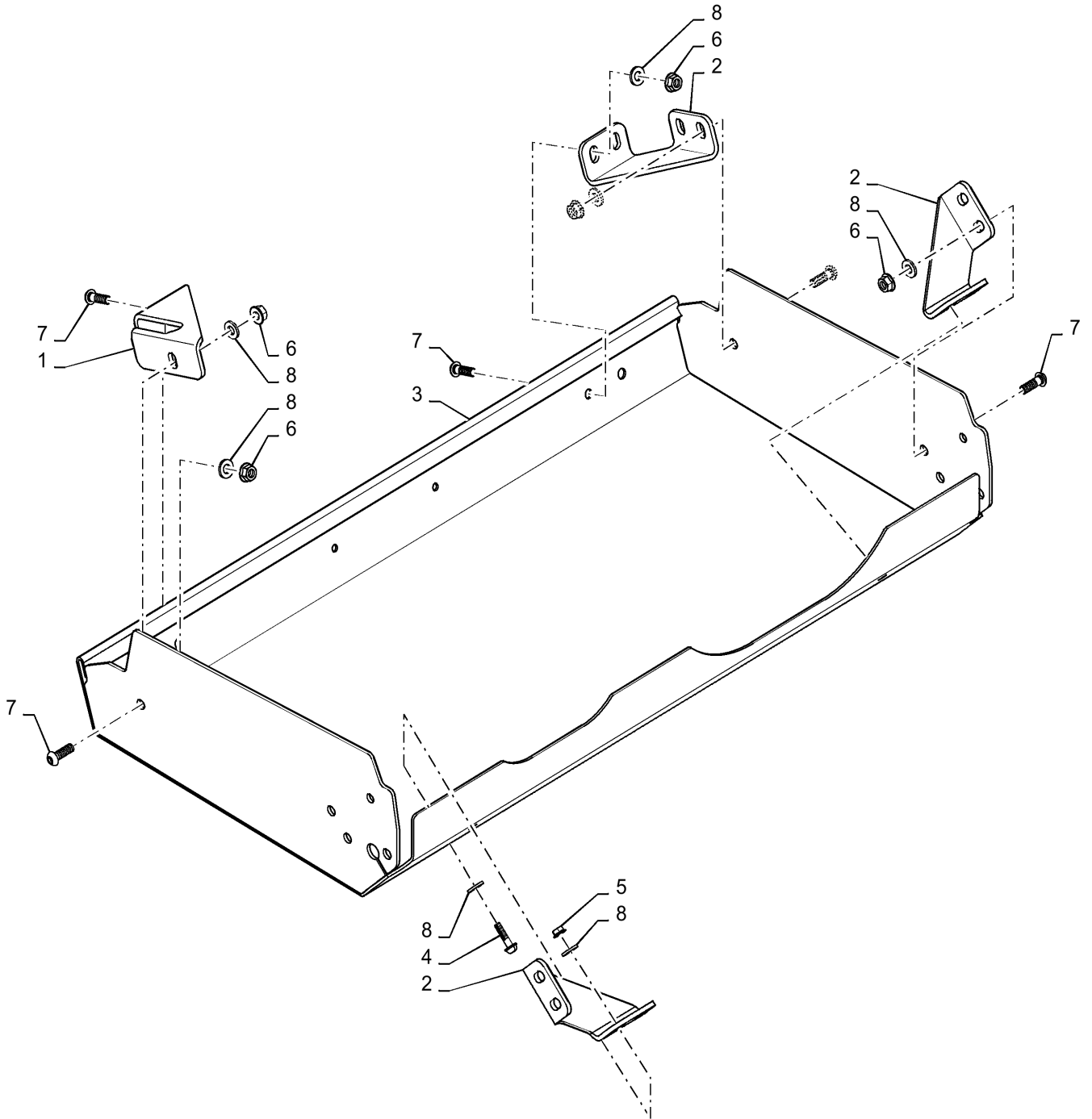
**KIT, CAB SIDE WINDOWS**



HOODS AND COVERS (SV250,SV300) AFTER FEB 13, 2013



REAR HOOD ASSY



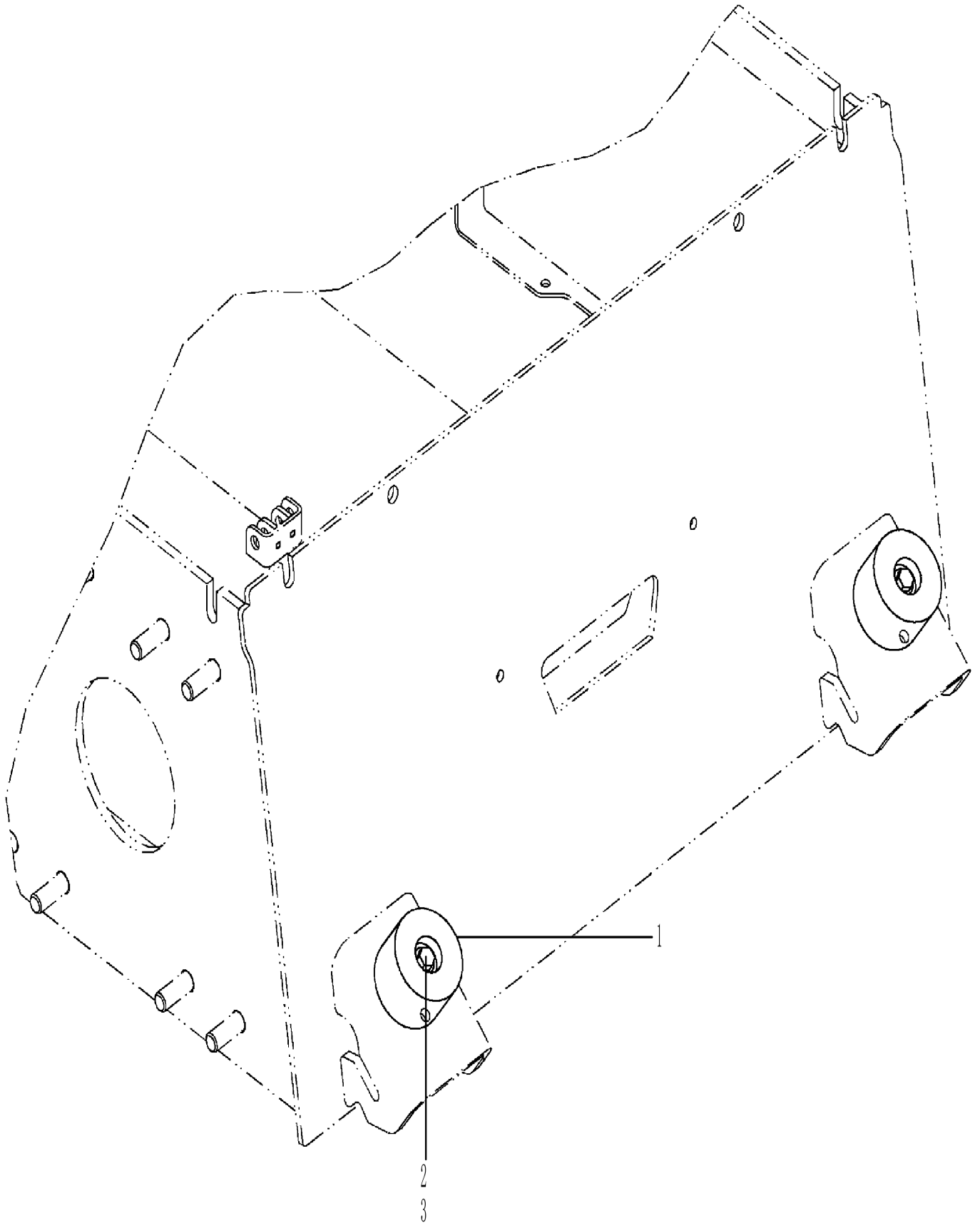
90.116.AO

01

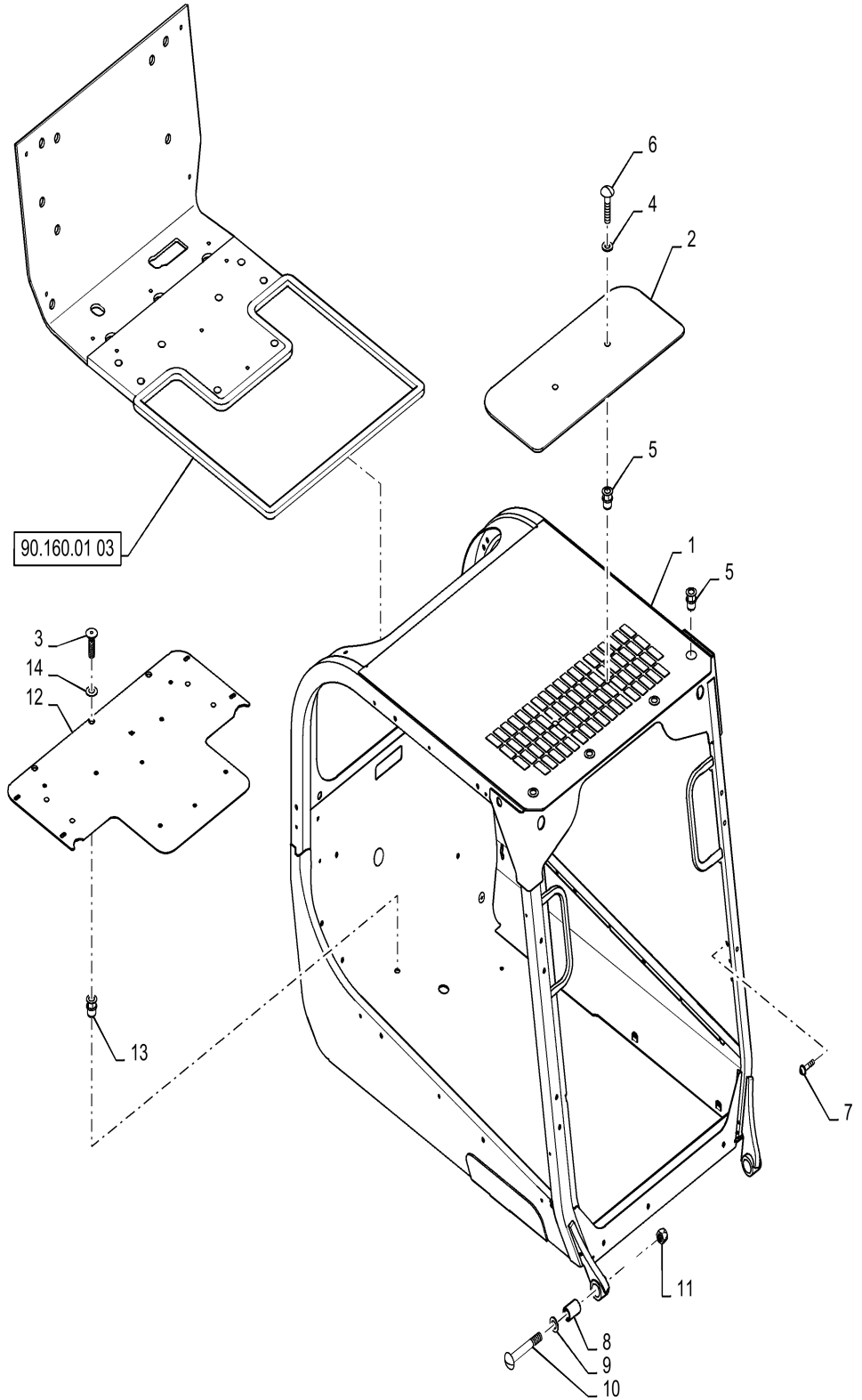
p1

6/2018

LOADER STOP 23MM



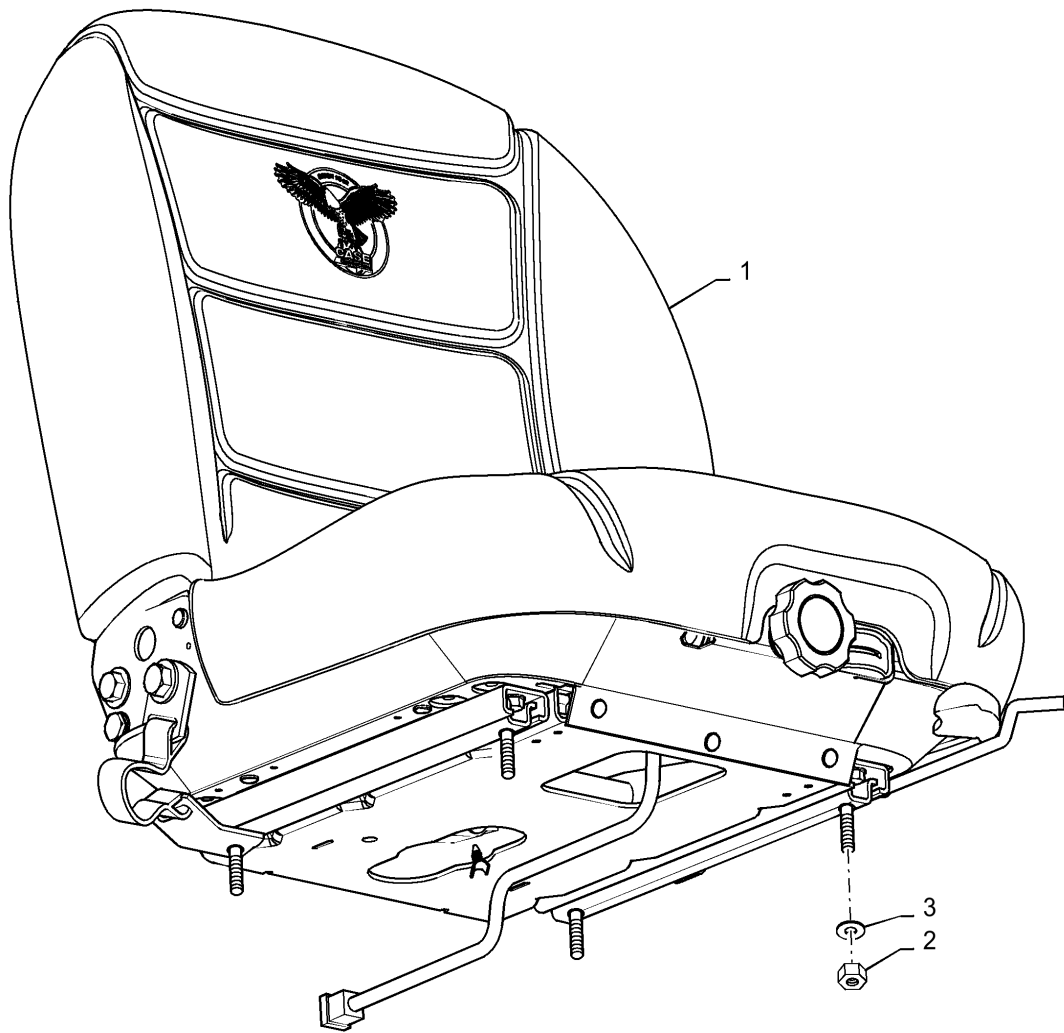
CAB CASE (SR175-TV380)



SEAT, NON SUSPENSION (ALL CASE)



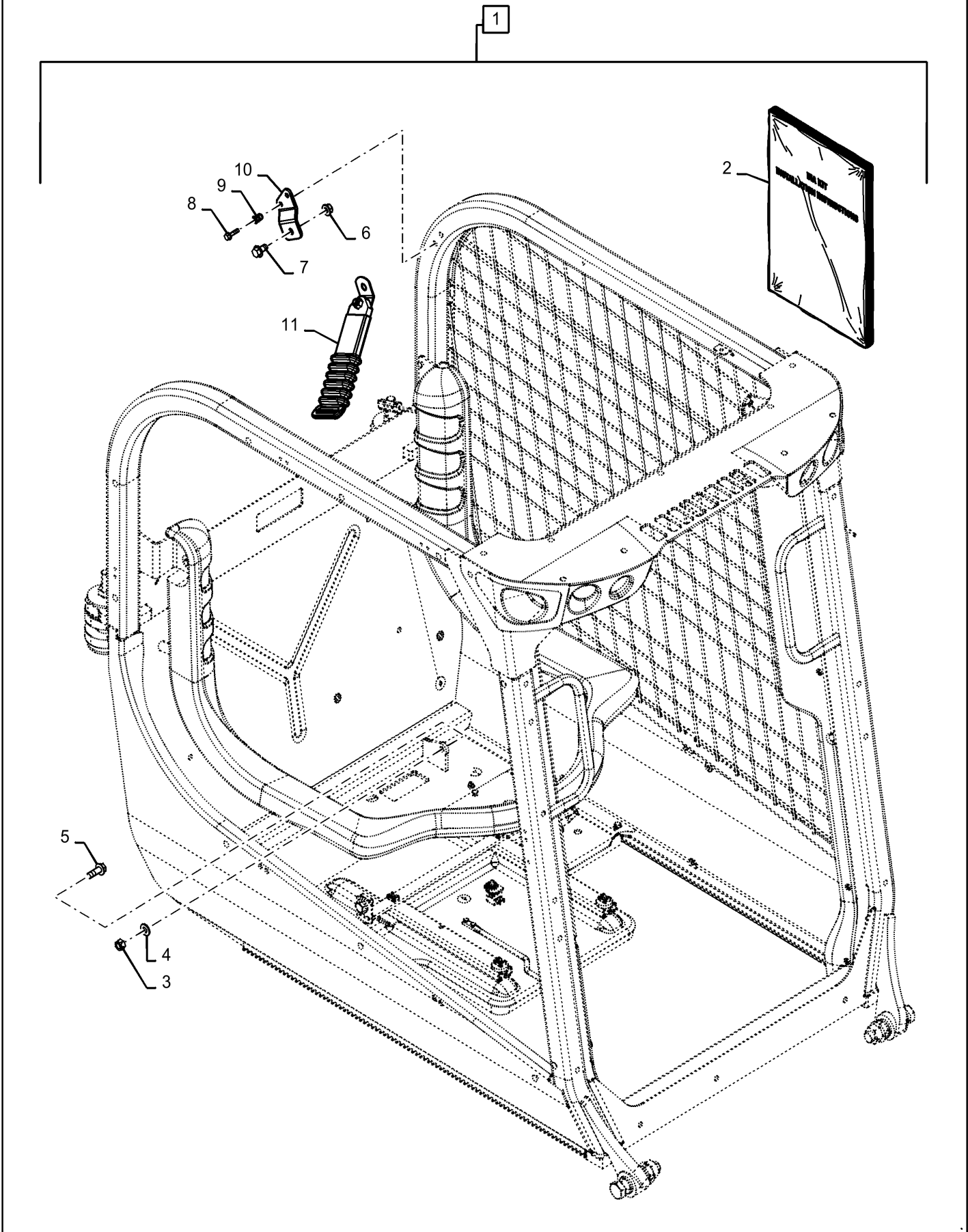
SEAT, MECHANICAL SUSPENSION (03-OCT-2016 & NEWER)



SEAT, AIR SUSPENSION



SEAT BELT



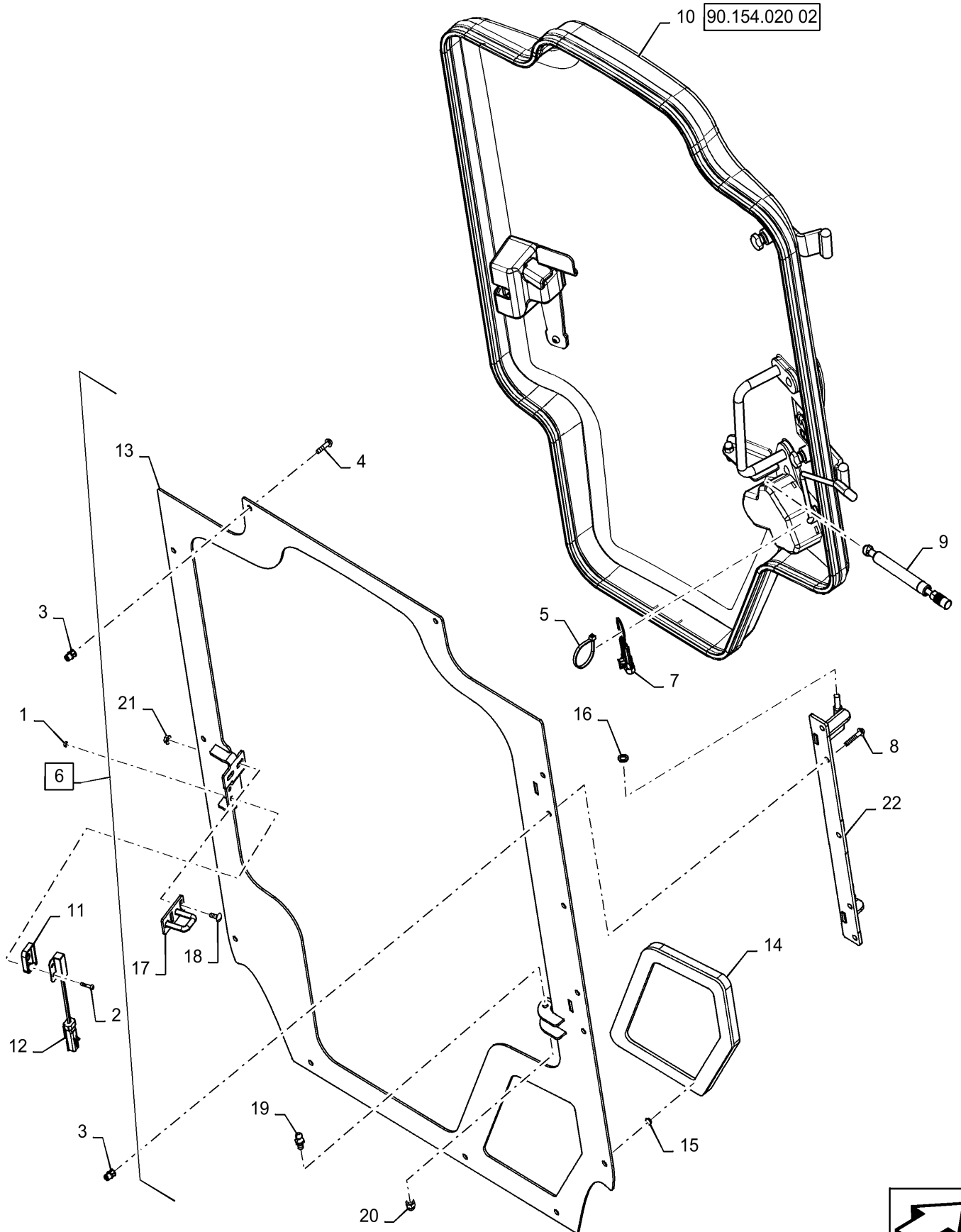
90.154.020

01

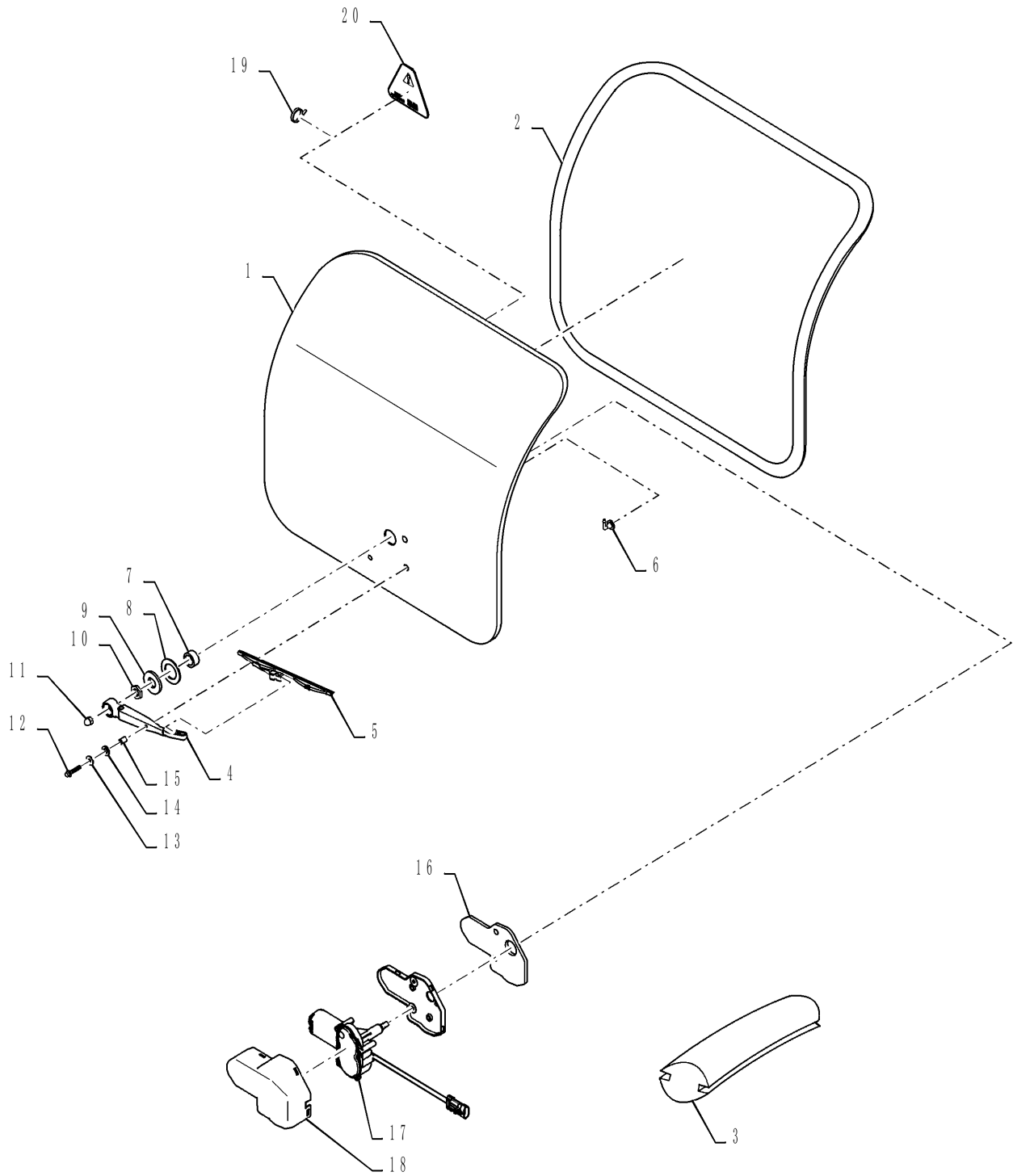
p1

6/2018

DEMO DOOR MOUNTING COMPONENTS (1-FEB-2013 & PRIOR)



REAR WINDOW EU (ALL CASE)



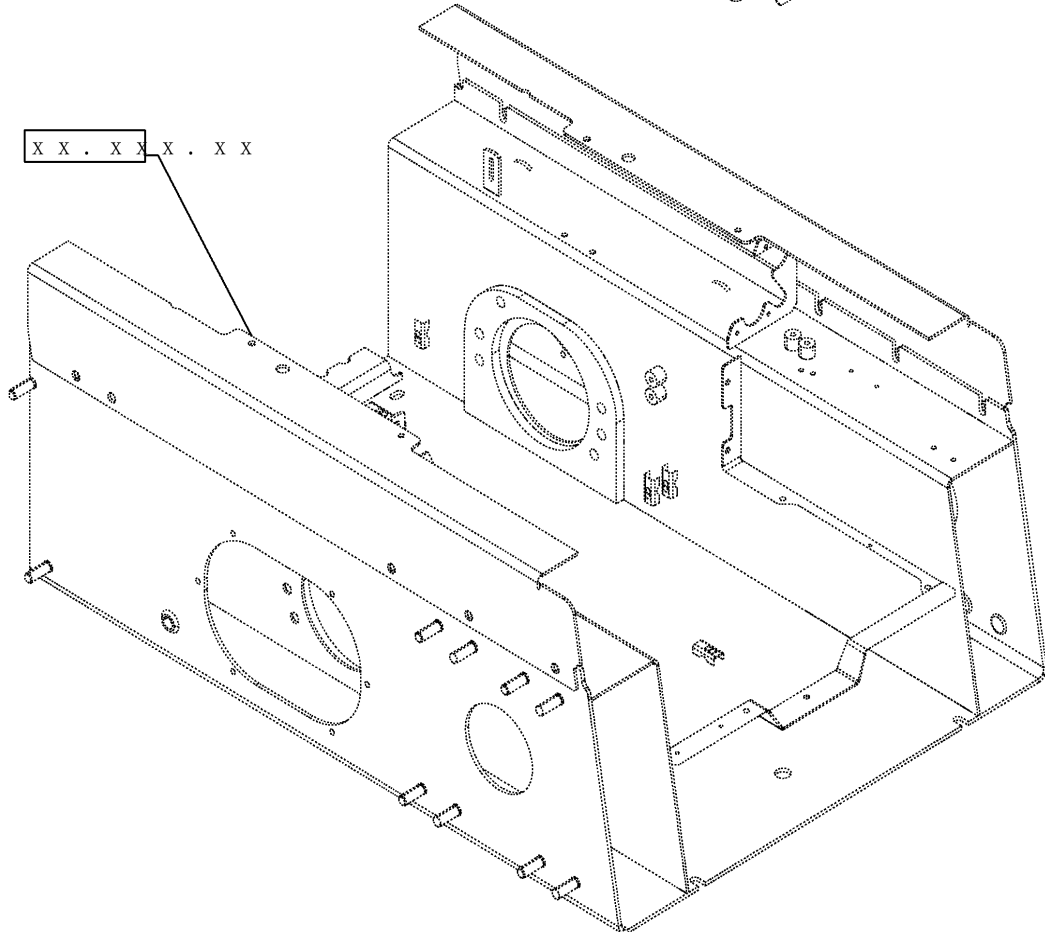
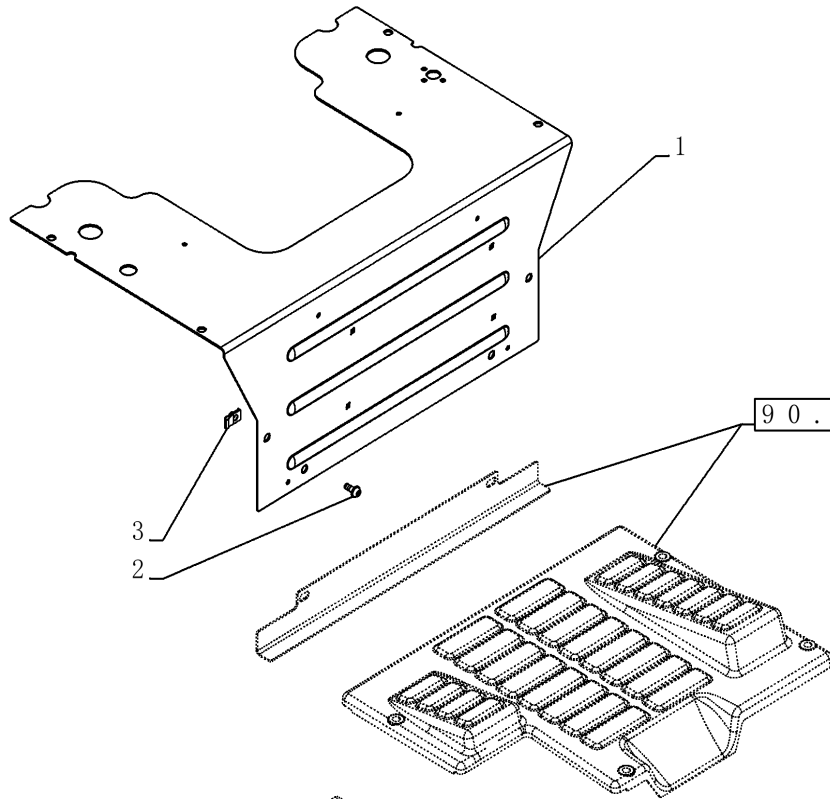
90.160.AS

01

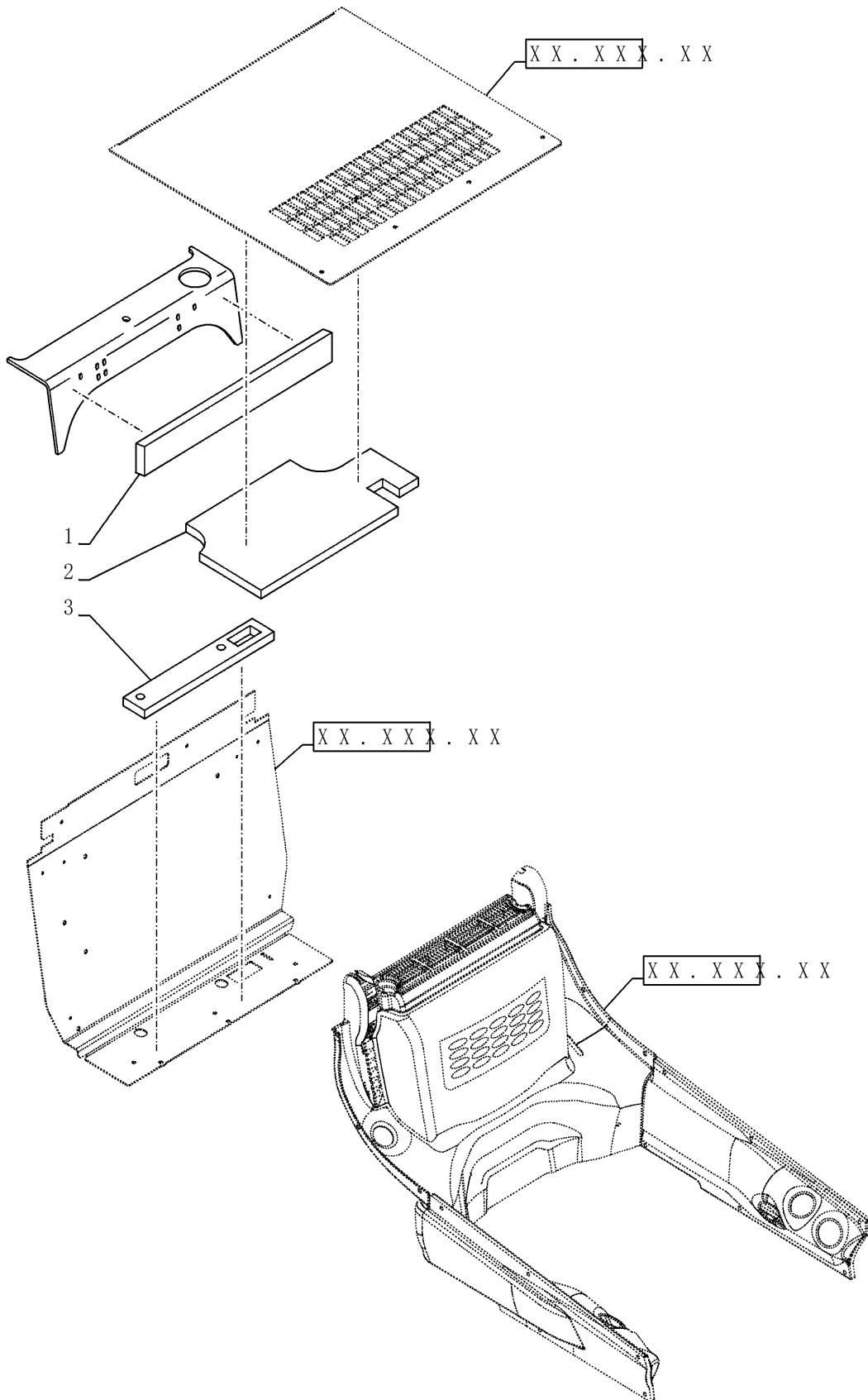
p1

6/2018

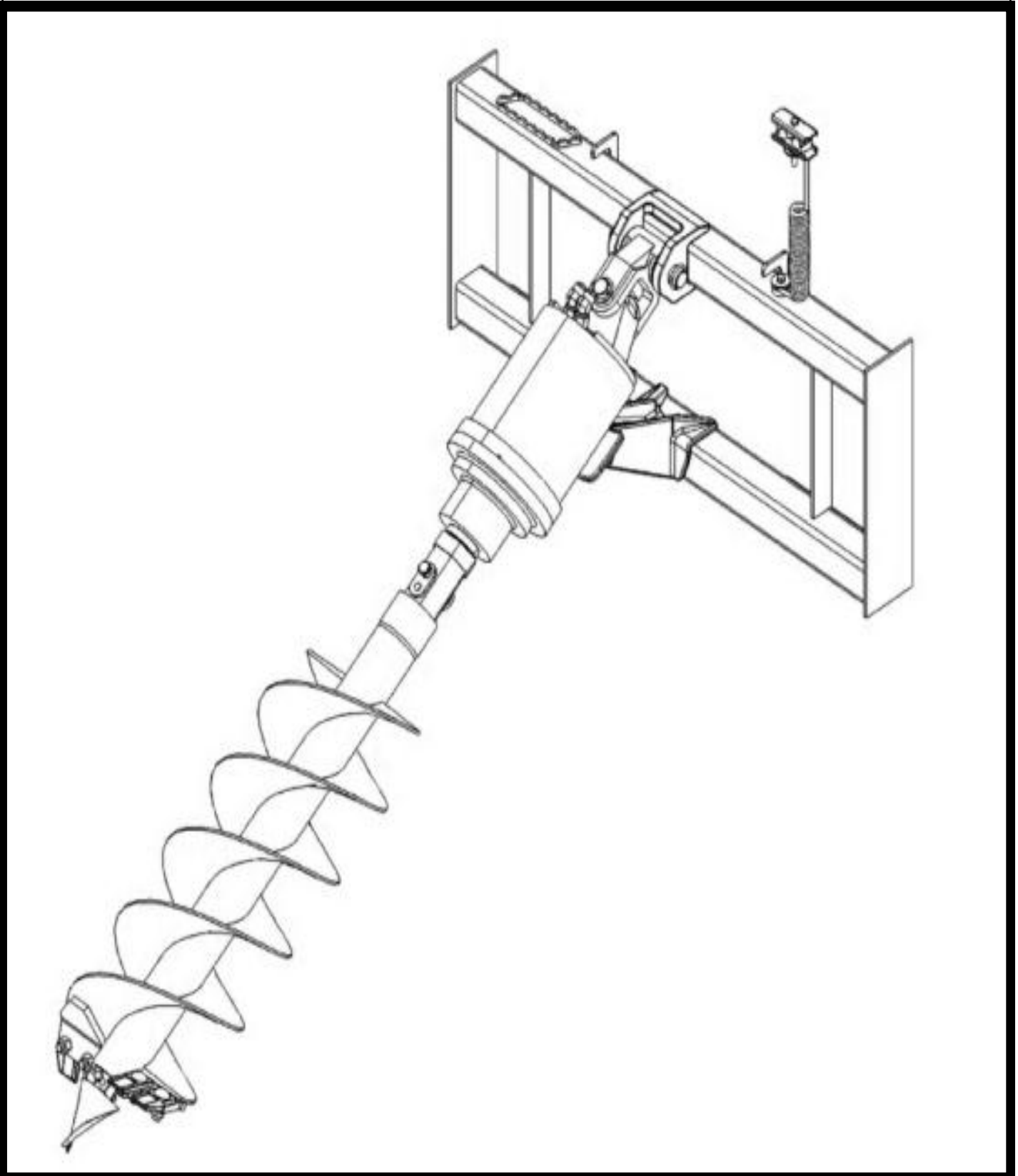
HANDLE MOUNTING EH (SR175-TV380)



INTERIOR TRIM CASE (ALL CASE)

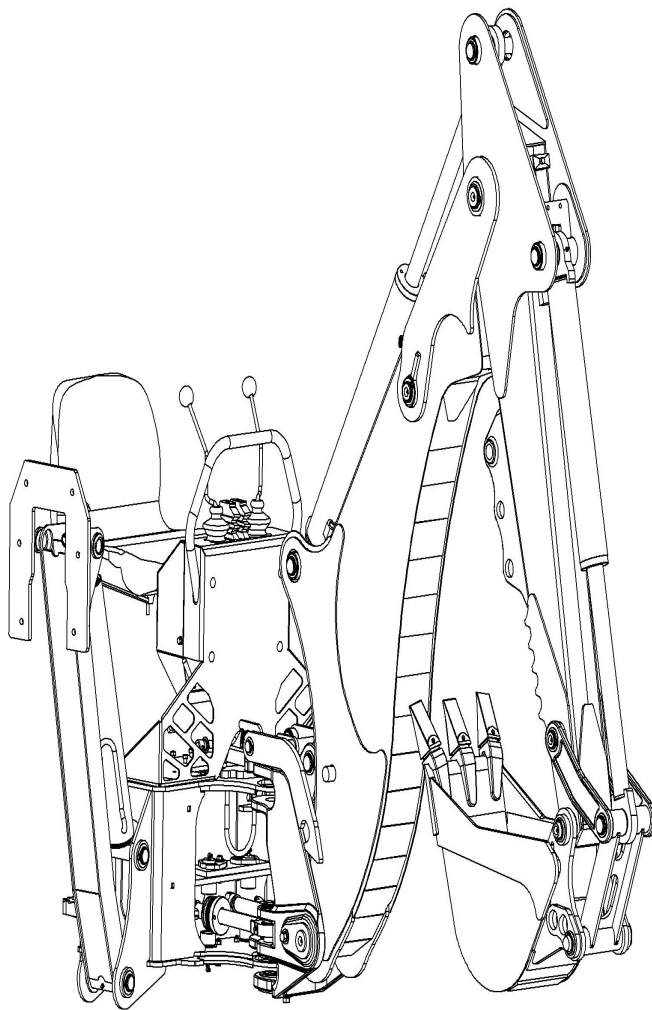


AUGER DRIVE, SV250



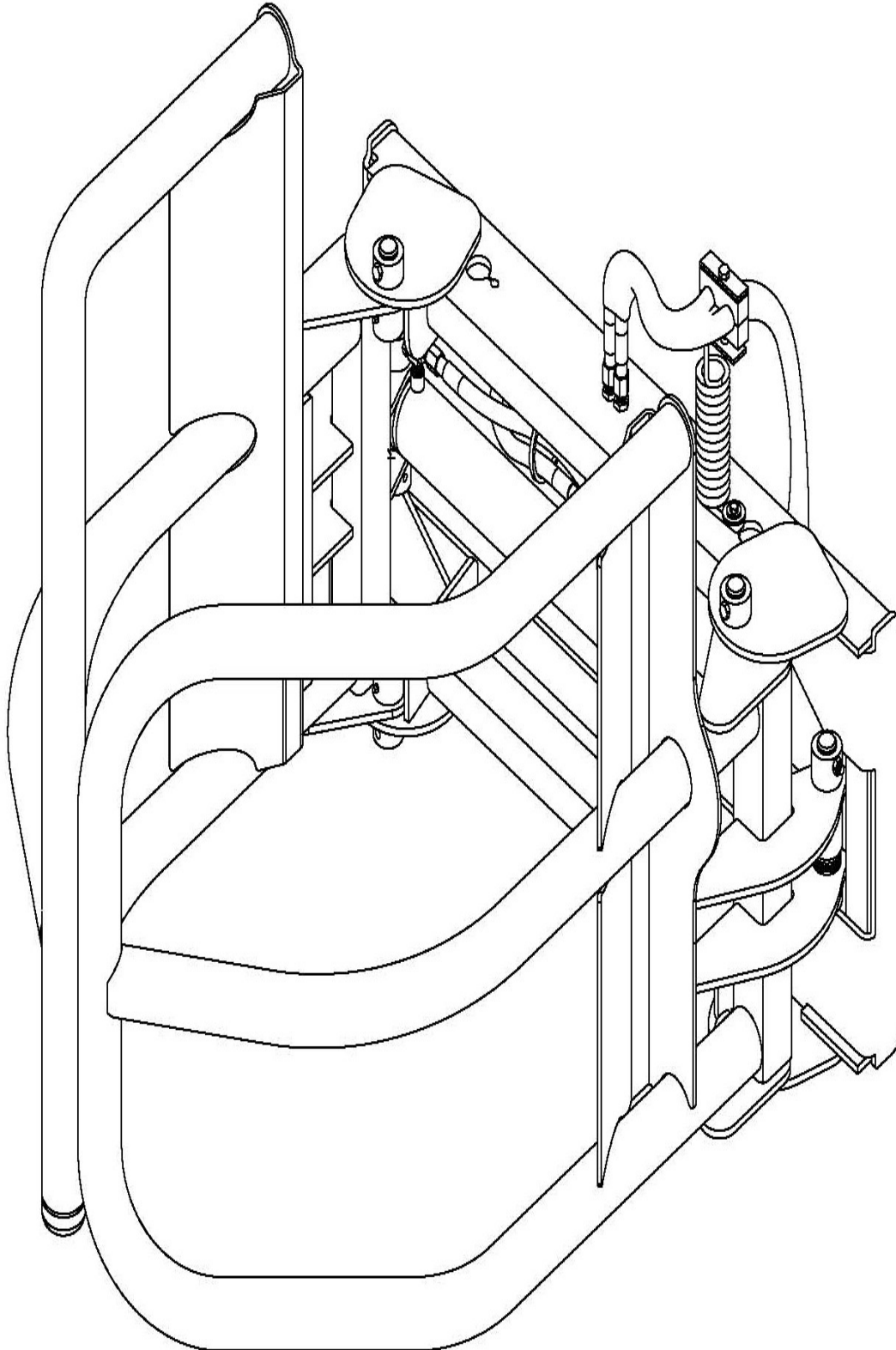
Must Order Bit for Complete Unit

**BACKHOES, SV250**

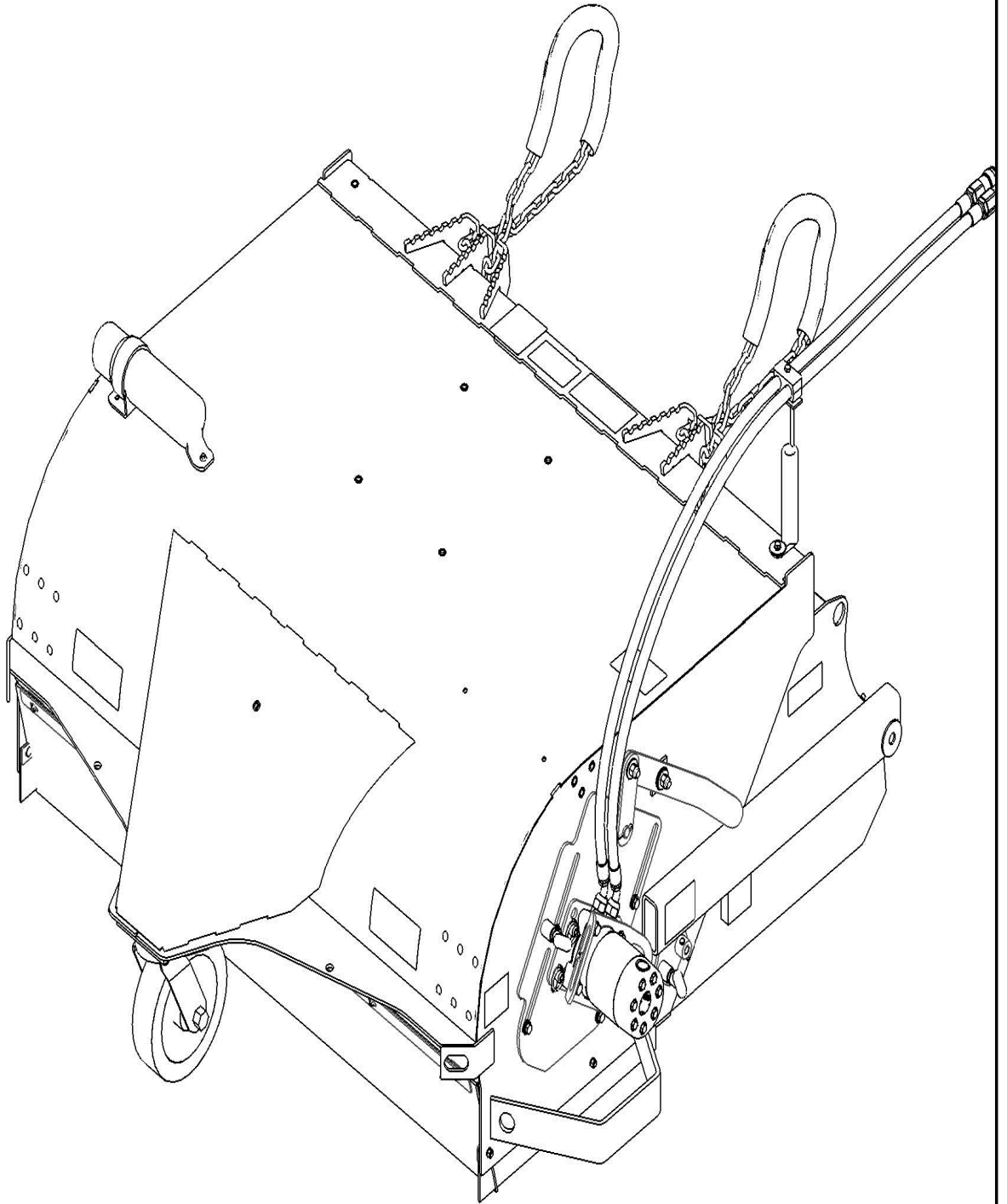


**Must Order Mounting Kit, Stabilizer Pad Option as Indicated and Bucket for Complete Unit, Backhoes are Not Compatible W/ Cab or Demolition Doors, Doors Must be Removed for Backhoe Operation**

BALE HANDLER, SV250

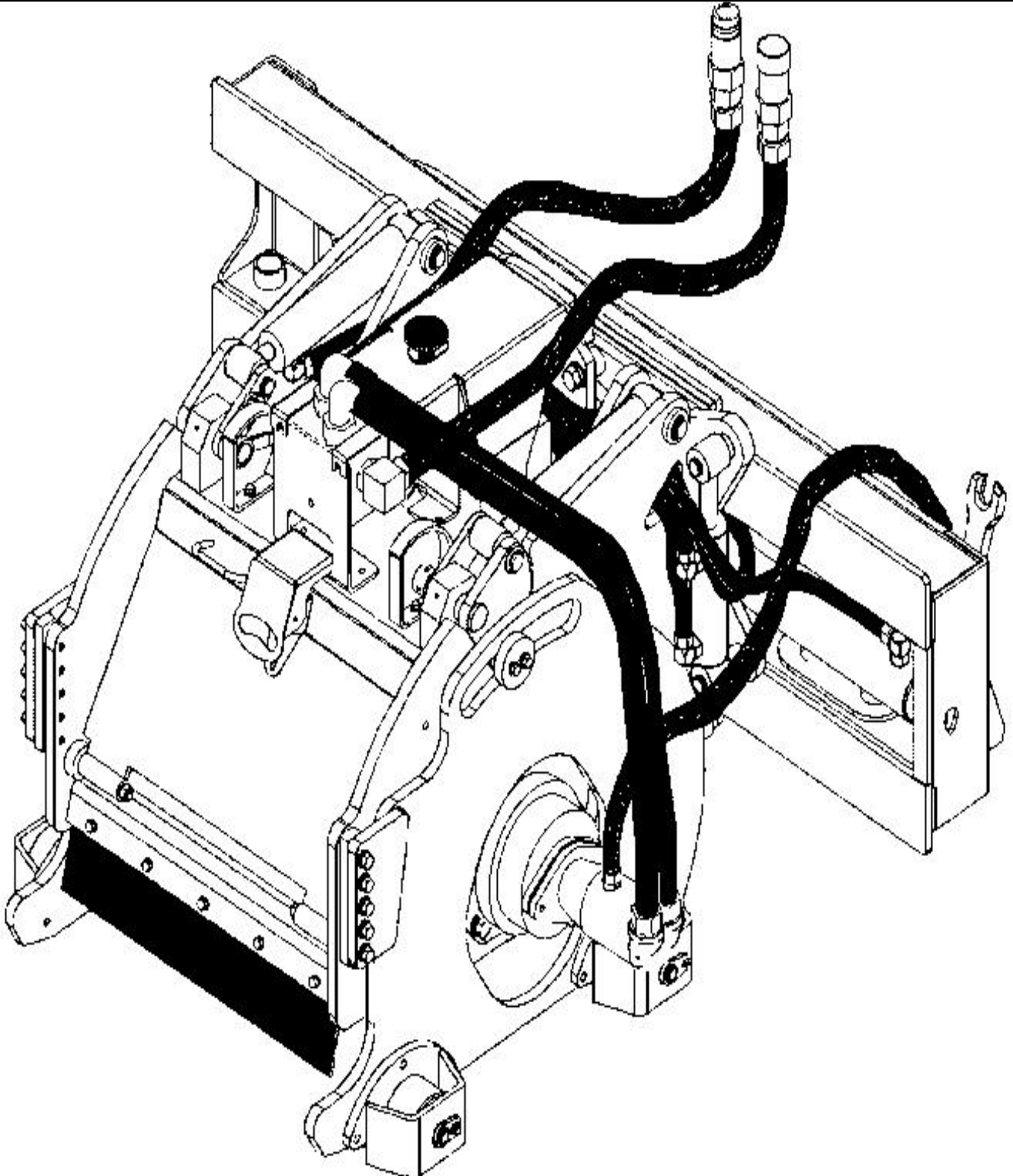


PICK-UP BROOM, SV250



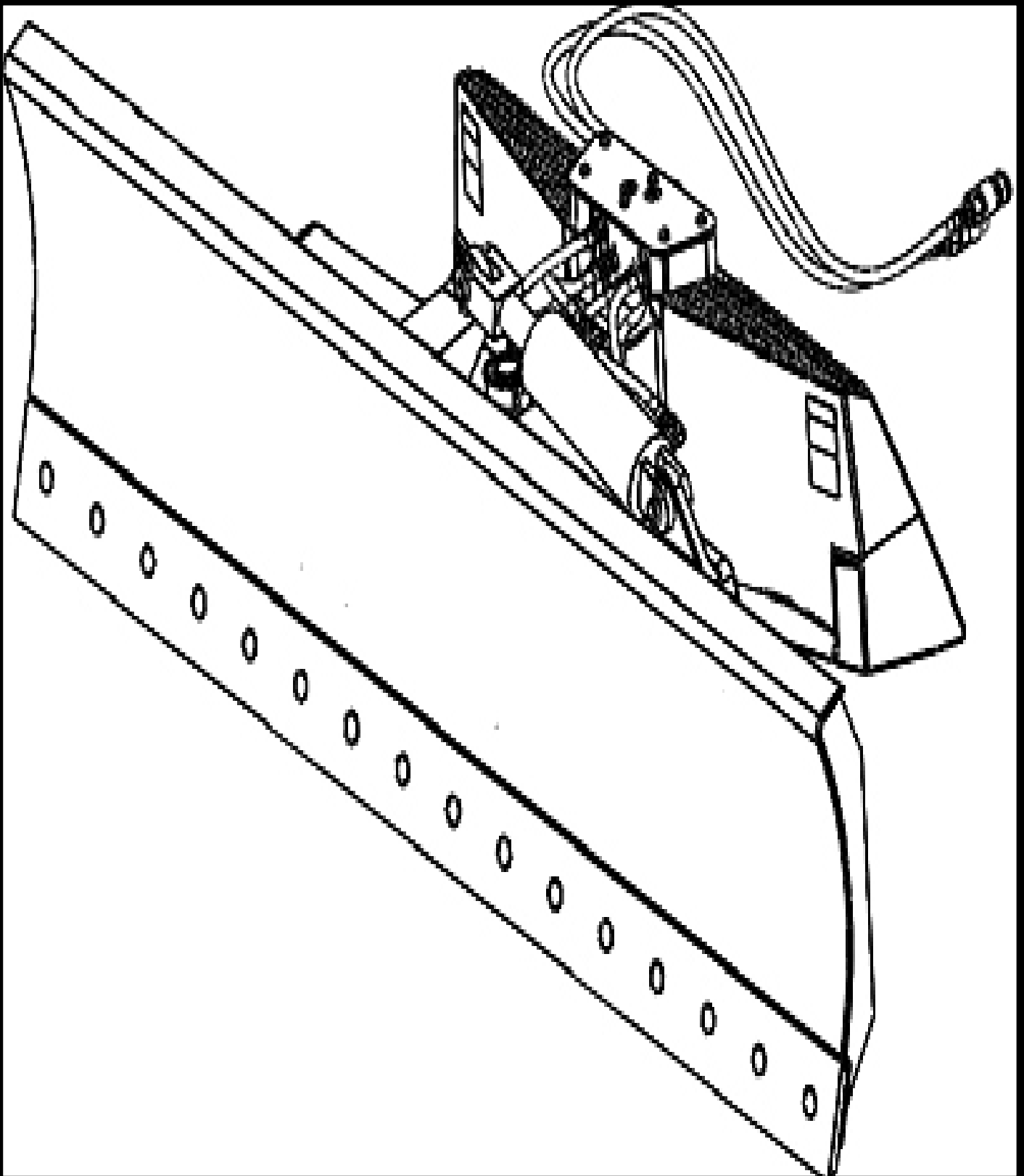
Loader Mounted Water Kits Available Separately, See Fig xxx, Water Kit

**COLD PLANERS, HIGH FLOW, SV250**



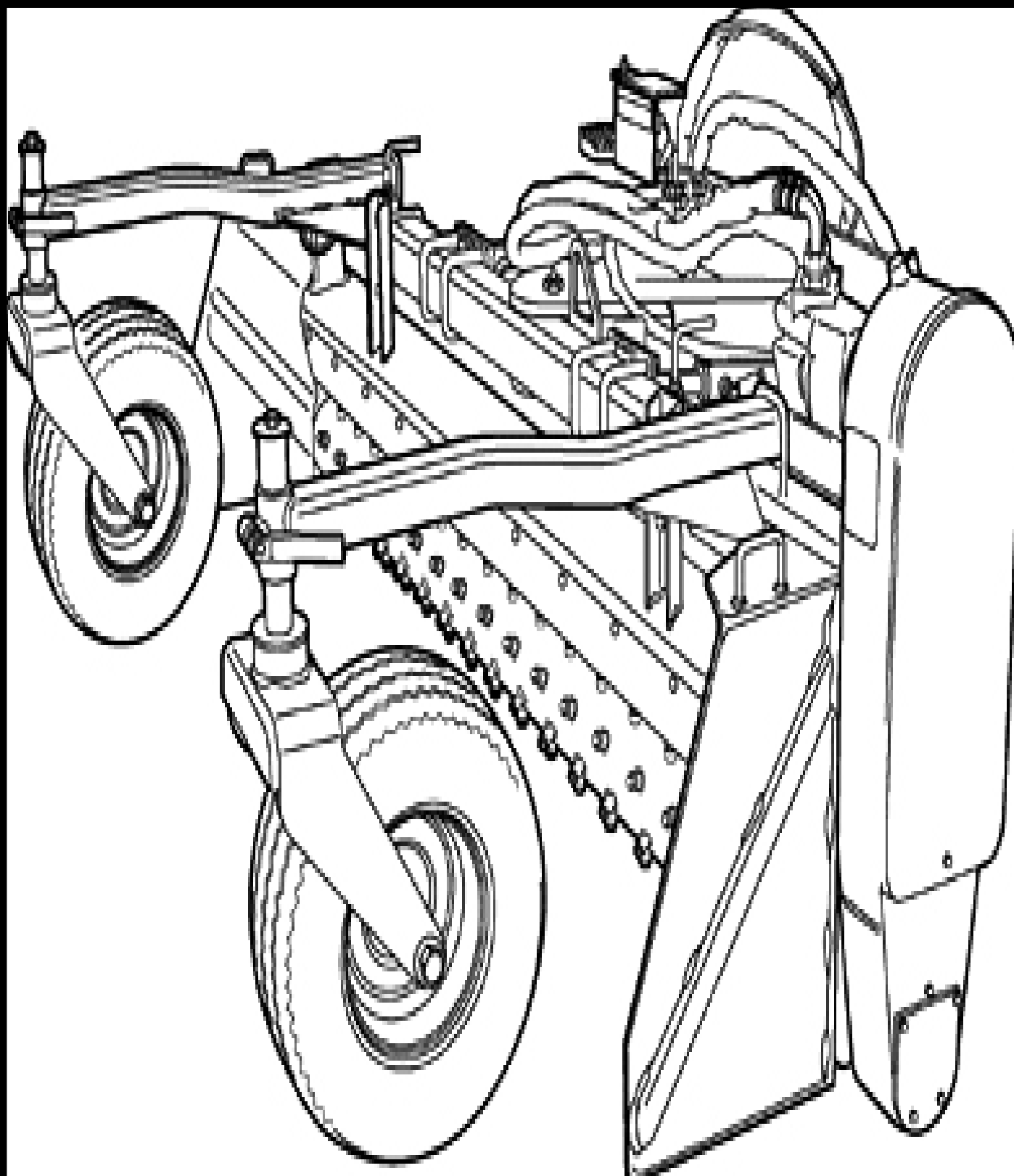
For Specified Skid Steer Loaders Equipped W/ Opt High Flow, Aux Boom Hydraulics

DOZER BLADES, SV250



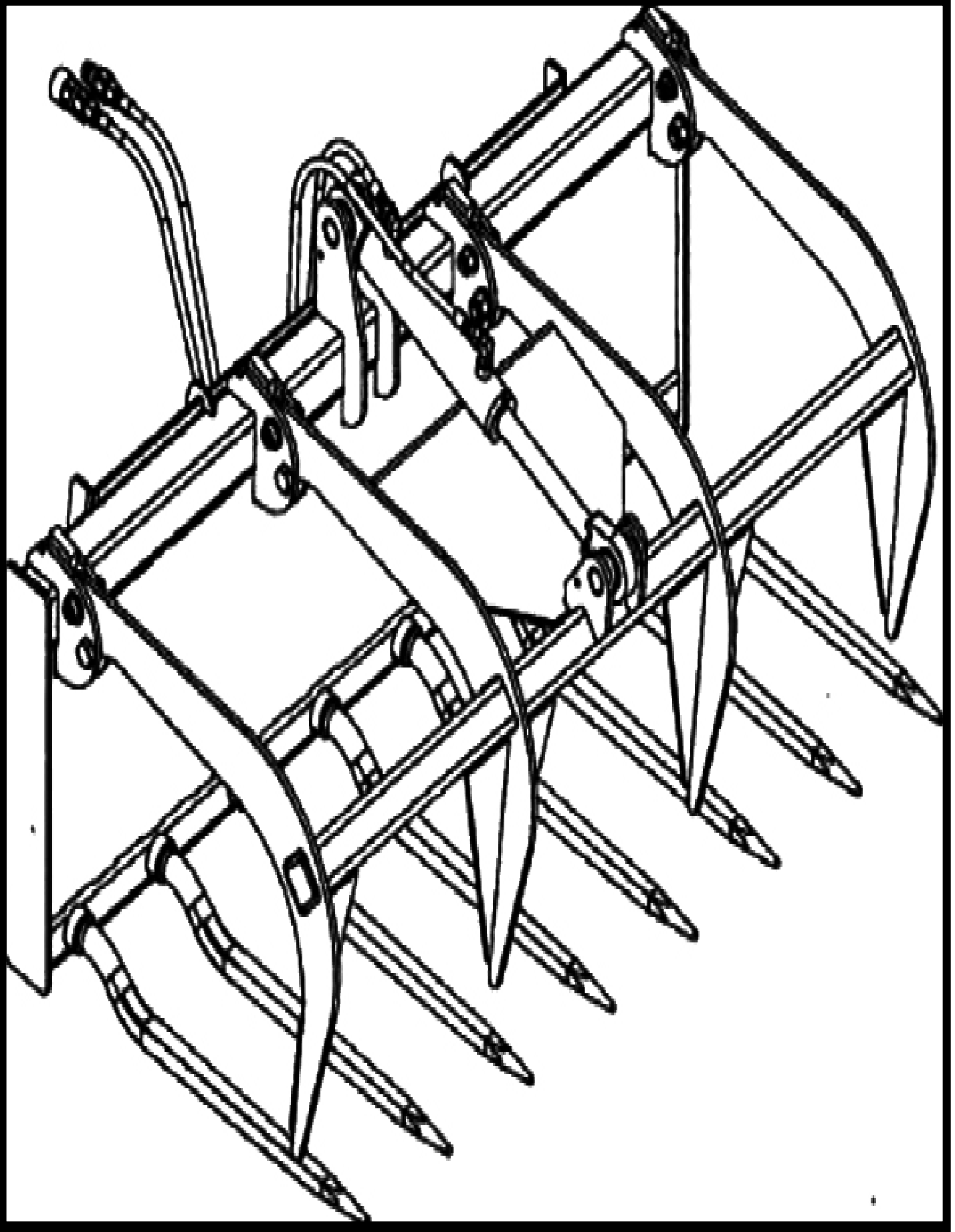
Must Order One Base Unit Option to Complete Unit

HARLEY POWER BOX RAKE, SV250

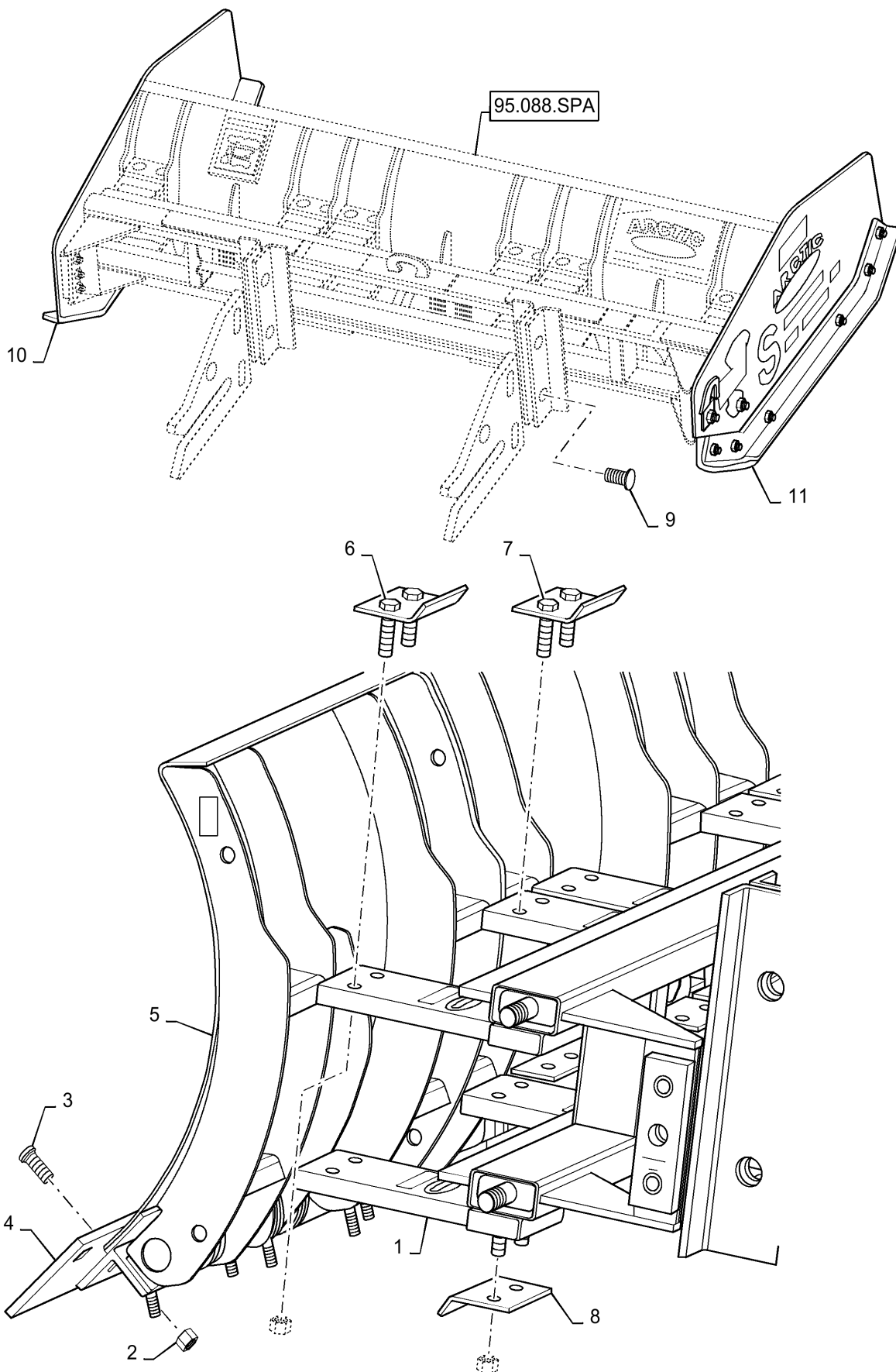


Must Order Electric Control Kit for Hydraulic Angle Units

MANURE FORK & MANURE FORK WITH GRAPPLE, SV250



SNOW PUSHER ATTACHMENT, SIDE PANEL & MOLDBOARD ATTACHING HARDWARE



INDEX - INDICE - INDEX - ZAHLENVERZEICHNIS - INDICE - INDICE - INDHOLD - INHOUD

Number	Figure	Sequence	Ref.	Number	Figure	Sequence	Ref.
47490003	10.400.BE	01	16	47536465	55.525.AB	01	3
47492775	90.100.BI	02	8	47536465	55.525.AB	03	3
47498985	88.100.50	02	19	47537813	35.100.AB		17
47498985	90.100.AU		12	47537888	90.154.AC		16
47499378	35.734.AH	02	5	47537889	88.100.50	01	70
47499380	35.734.AH	02	6	47537889	88.100.50	02	22
47500154	35.734.AH	02	7	47539004	35.734.AH	03	10
47501226	90.124.AE	01	1	47539985	35.100.AB		28
47502239	84.910.AA		19	47539994	35.100.AB		12
47503041	35.701.AX	01	18	47541188	10.202.AD		7
47503044	35.701.AX	01	17	47543188	90.100.BI	02	12
47503058	35.300.AQ		2	47544620	55.101.AC	03	6
47503879	35.734.AH	02	8	47544620	55.101.AC	05	7
47503880	35.734.AH	02	9	47547471	82.100.AG	02	5
47504622	35.734.AH	02	10	47550001	82.100.AG	02	1
47505800	35.734.AH	02	11	47550198	88.100.55	08	1
47505812	35.734.AH	02	12	47550200	88.100.55	08	2
47505880	55.015.AB	01	10	47553252	90.100.AU		13
47511326	50.100.AP	04	47	47553741	29.200.AI	08	14
47511327	50.100.AP	04	43	47553746	29.200.AI	08	15
47511330	50.100.AP	04	44	47555294	90.100.BI	02	13
47511331	50.100.AP	04	45	47559997	95.016.CCW		7
47511332	50.100.AP	04	41	47559997	95.016.EEW		8
47511333	50.100.AP	04	42	47559999	95.016.CCW		8
47513565	90.100.BI	02	9	47559999	95.016.EEW		9
47513620	90.100.BI	02	10	47561619	88.100.55	18	12
47513658	90.100.BI	02	11	47561627	88.100.55	18	3
47521067	88.100.50	02	20	47566177	10.304.AS		6
47521161	88.100.50	02	21	47569648	88.100.39	11	9
47522714	88.100.50	01	1	47570937	82.100.AH	01	7
47523494	55.101.AC	02	2	47574582	88.100.50	02	23
47523494	55.101.AC	04	2	47579521	88.100.55	18	1
47523496	55.101.AC	03	3	47581152	88.100.90	12	4
47523496	55.101.AC	05	4	47590840	88.100.90	12	5
47529572	55.015.AB	01	7	47590843	88.100.90	12	6
47532222	88.100.50	02	1	47590929	88.100.90	12	7
47532577	55.404.AL	02	9	47597191	88.100.55	18	2
47532577	55.404.AL	02	10	47600710	88.100.90	12	1
47532577	55.404.AL	03	9	47600711	88.100.90	12	2
47532577	55.404.AL	03	10	47600713	10.001.AK		2
47535366	55.101.AC	02	3	47600714	10.001.AK		3
47535366	55.101.AC	03	4	47612620	29.204.AB	03	6
47535366	55.101.AC	04	3	47613344	90.100.AU		13
47535366	55.101.AC	05	5	47627999	88.100.50	01	6
47535368	55.101.AC	02	4	47627999	88.100.50	02	24
47535368	55.101.AC	03	5	47630769	88.100.35	12	1
47535368	55.101.AC	04	4	47630776	88.100.35	12	2
47535368	55.101.AC	05	6	47635212	50.100.AP	04	58
47535433	55.512.CL	09	10	47635213	50.100.AP	02	31
47535435	55.512.CL	08	10	47635213	50.100.AP	04	52

INDEX - INDICE - INDEX - ZAHLENVERZEICHNIS - INDICE - INDICE - INDHOLD - INHOUD

Number	Figure	Sequence	Ref.	Number	Figure	Sequence	Ref.
84298557	88.100.55	27	4	84304100	35.734.AH	02	3
84298557	90.160.AX	02	7	84304100	35.734.AH	02	4
84298763	90.154.010	02	17	84304103	35.734.AH	02	2
84298931	55.302.AI	02	1	84304105	35.734.AH	02	1
84298935	55.015.AB	01	13	84304133	35.734.AH	02	1
84299261	29.200.AI	04	2	84304135	35.734.AH	02	2
84299262	29.200.AI	04	3	84304580	35.734.AC		3
84299413	35.734.AH	02	19	84304583	35.734.AH	03	24
84299413	35.734.AH	02	14	84304584	35.734.AC		4
84299732	35.701.AX	01	25	84304585	35.734.AH	03	23
84299733	35.701.AX	01	26	84304715	10.202.AD		12
84299735	35.701.AX	01	27	84304961	82.300.AN	05	1
84299736	29.204.AB	04	26	84304965	82.300.AN	05	1A
84299737	29.204.AB	03	9	84304969	82.300.AN	05	1B
84299737	29.204.AB	04	27	84304978	82.300.AN	05	
84299751	90.160.CK	01	3	84304982	82.300.AN	05	
84299754	90.160.CK	01	4	84304986	82.300.AN	05	
84299773	29.200.AI	03	6	84305556	55.404.AL	01	2
84299785	29.200.AI	03	7	84305556	55.404.AL	01	4
84299800	90.100.AU		24	84305556	55.404.AL	01	2
84299800	90.100.AU		17	84305556	55.525.AB	02	6
84299800	90.100.BI	02	17	84305556	88.100.55	15	7
84299809	90.100.AU		22	84305556	88.100.55	18	5
84299809	90.100.AU		18	84305556	88.100.90	02	19
84299809	90.100.BI	02	18	84305556	88.100.90	03	19
84299976	10.216.AI		27	84305556	88.100.90	20	2
84299977	05.100.01		3	84305556	88.100.90	32	8
84299977	05.100.03	01	7	84305556	90.100.BI	02	20
84299977	10.216.AI		27A	84305556	90.100.BI	06	4
84300037	29.200.AI	04	4	84305556	90.119.AB	01	3
84300039	29.200.AI	04	5	84305556	90.119.AB	02	27
84300094	90.154.010	02	18	84305556	90.154.010	01	9
84300094	90.154.020	02	16	84305556	90.154.020	01	4
84300094	90.154.AV	04	18	84305658	88.100.55	15	
84300731	55.512.CL	08	7	84305862	88.100.35	04	
84300731	55.512.CL	09	7	84305872	10.216.AI		11
84300911	55.512.BW	02	2	84305879	10.216.AI		13
84300929	88.100.05		1	84306049	90.116.AO	01	1
84300931	88.100.05			84306051	90.116.AO	02	1
84300954	29.200.AI	04	6	84306052	90.116.AO	03	1
84300956	29.200.AI	04	7	84306053	90.116.AO	04	1
84301222	88.100.55	32	1	84306068	88.100.90	01	
84302476	90.119.AB	02	5	84306071	88.100.90	05	1
84302564	55.512.CL	08	8	84306087	88.100.39	03	
84302564	55.512.CL	09	8	84306093	88.100.90	09	
84303513	90.100.AU		2	84306096	88.100.90	06	
84303515	29.204.AB	03	10	84306268	55.404.AL	02	2
84303971	10.304.AF	01	8	84306268	55.404.AL	02	3
84304099	35.734.AH	02	4	84306268	55.404.AL	03	2
84304099	35.734.AH	02	5	84306268	55.404.AL	03	3

INDEX - INDICE - INDEX - ZAHLENVERZEICHNIS - INDICE - INDICE - INDHOLD - INHOUD

Number	Figure	Sequence	Ref.	Number	Figure	Sequence	Ref.
84426087	55.101.AC	04	1	84475134	10.400.BE	02	10
84427179	88.100.90	03		84475136	10.400.BE	02	11
84427180	88.100.90	03	23	84475145	88.100.35	16	29
84427186	88.100.90	02		84475174	88.100.39	11	2
84427187	88.100.90	02	23	84476692	82.300.AN	07	3
84427190	88.100.90	04		84476812	90.100.BE		16
84428487	90.100.BE		15	84478939	90.154.AV	04	2
84428505	88.100.90	10		84478939	90.154.AV	04	2
84428506	88.100.90	10		84479346	88.100.55	05	2
84428507	88.100.90	11		84480921	35.701.CB	01	8
84428508	88.100.90	11		84480921	35.701.CB	02	8
84428509	88.100.90	10		84480948	35.723.AA	01	8
84428510	88.100.90	11		84481035	88.100.55	32	2
84465561	88.100.10	09		84481921	88.100.90	04	8
84467699	88.100.55	05	9	84483262	88.100.50	01	19
84467699	88.100.55	09	17	84483262	88.100.50	02	72
84467699	88.100.55	13	31	84484008	88.100.39	12	3
84467700	29.204.AB	02	16	84484220	35.357.AG	01	13
84468362	90.108.AC	02	7	84485208	90.154.020	02	35
84469201	90.108.AC	02	1	84485211	90.154.020	02	48
84469201	90.108.AC	02	6	84485291	90.154.020	02	36
84469612	88.100.55	29	27	84485292	90.154.020	02	37
84469613	90.160.CK	01	11	84485294	90.154.020	02	38
84469647	90.119.AB	02	34	84485294	90.154.020	02	39
84470439	88.100.90	10	10	84485295	90.154.020	02	40
84470439	88.100.90	10	10B	84485652	90.154.020	02	47
84470439	88.100.90	10	8A	84485661	90.154.010	02	36
84470443	88.100.90	11	5a	84485661	90.154.020	02	41
84470443	88.100.90	11	5B	84485879	90.154.010	01	13
84470595	88.100.55	13	30	84485879	90.154.020	01	13
84470983	88.100.10	09	5	84488515	88.100.10	05	9
84472461	90.119.AB	01	15	84488517	88.100.10	05	7
84472462	55.518.AT	02	7	84488602	88.100.10	05	
84472670	88.100.90	11	5	84488605	88.100.10	05	11
84473111	88.100.90	04	3	84488997	88.100.90	24	6
84473111	88.100.90	24	3	84488998	88.100.90	24	7
84473118	88.100.90	04	4	84492067	88.100.90	12	9
84473121	88.100.90	04	5	84492067	90.108.AB		10
84473199	88.100.90	04	6	84492069	90.108.AB		11
84473199	88.100.90	24	4	84493112	35.701.BR	01	18
84473201	88.100.90	04	7	84493112	90.108.AC	02	8
84473201	88.100.90	24	5	84493206	90.108.AB		1
84473525	90.119.AB	02	39	84495949	10.202.AD		18
84473534	90.119.AB	02	7	84499092	10.304.AF	01	9
84473542	90.119.AB	02	6	84499497	10.400.BE	02	11
84474235	88.100.35	16	24	84511713	29.204.AB	01	14
84474270	88.100.35	16	25	84511713	29.204.AB	03	15
84474272	88.100.35	16	26	84512810	95.050.AAW		1
84474383	88.100.35	16	27	84512811	95.050.AAW		2
84474384	88.100.35	16	28	84514060	95.004.AAW		54

INDEX - INDICE - INDEX - ZAHLENVERZEICHNIS - INDICE - INDICE - INDHOLD - INHOUD

Number	Figure	Sequence	Ref.	Number	Figure	Sequence	Ref.
87045462	95.024.AAS		11	87314487	29.204.AB	04	10
87045462	95.024.CCW		4	87318188	95.008.AAZ		1
87045489	95.028.AAW		1	87318189	95.008.AAZ		2
87048529	95.024.AAS		10	87319446	29.200.AI	02	7
87048529	95.024.CCW		5	87319756	29.200.AI	08	22
87048529	95.032.AAW		5	87326406	95.024.AAS		12
87048530	95.024.CCW		1	87326965	29.204.AB	02	32
87048531	95.024.CCW		2	87329785	88.100.35	16	42
87050523	29.218.AO	03	11	87330077	95.022.AAT		1
87050523	29.218.AO	05	16	87330078	95.022.AAT		2
87051110	82.100.AH	01	25	87335499	55.518.AT	01	7
87051278	29.218.AO	05	5	87335499	55.518.AT	02	4
87053083	55.015.AB	01	24	87335499	55.518.AT	03	4
87054825	10.216.AI		17	87335499	88.100.90	02	8
87058492	88.100.35	16	40	87335499	88.100.90	03	8
87061045	90.116.AS	03	4	87342191	35.734.AH	02	8
87105841	50.200.BY		14	87342191	88.100.35	09	12
87269453	29.218.AO	07	5	87343114	88.100.55	23	26
87276	88.100.55	29	3	87343550	10.304.AF	01	12
87301276	35.734.AH	03	7	87352559	90.100.BE		23
87301276	88.100.35	09	54	87355337	05.100.02		37
87301277	10.400.BE	01	19	87355337	50.100.AP	03	21
87301324	88.100.55	18	10	87355337	88.100.50	02	98
87301324	88.100.55	32	7	87359470	29.204.AB	02	33
87301330	88.100.35	04	9	87360034	29.200.AI	03	11
87301490	35.734.AH	03	11	87360874	55.512.CL	08	17
87301490	88.100.35	09	55	87360874	55.512.CL	09	17
87302140	35.701.BR	01	7	87362109	50.100.AC	01	21
87302140	88.100.35	06	12	87381816	95.010.AAW		1
87303203	88.100.35	16	41	87381819	95.048.AAW		1
87305411	90.100.AG		9	87382026	95.034.AAW		1
87307791	55.404.AL	02	7	87382027	95.034.AAW		2
87307791	55.404.AL	03	5	87382028	95.034.AAW		3
87308282	55.408.BE	01	16	87382029	95.034.AAW		4
87310592	50.100.AP	01	26	87382066	95.036.DDW		1
87310592	50.100.AP	03	25	87382919	55.512.CL	05	7
87310592	55.408.BE	01	18	87382919	88.100.90	10	6A
87310592	88.100.50	01	68	87382923	55.512.CL	02	6
87310592	88.100.50	02	97	87382923	55.512.CL	03	6
87313351	10.304.AF	01	11	87382923	55.512.CL	05	9
87313351	35.734.AH	02	15	87382923	88.100.90	10	7A
87313351	35.734.AH	03	8	87382927	55.512.CL	05	10
87313351	55.101.AC	02	12	87382927	88.100.90	10	6
87313351	55.101.AC	03	17	87382927	88.100.90	10	6B
87313351	88.100.35	09	42	87383458	95.016.AAW		7
87313355	55.101.AC	03	18	87383458	95.042.AAW		9
87313355	55.101.AC	05	17	87387404	95.032.AAW		1
87313360	29.204.AB	01	19	87387405	95.032.AAW		2
87313360	29.204.AB	03	20	87387540	82.100.AG		10
87314487	29.204.AB	02	21	87387540	82.100.AG		10

CLICK HERE TO **DOWNLOAD** THE COMPLETE MANUAL

- Thank you very much for reading the preview of the manual.
- You can download the complete manual from: [www.heydownloads.com](http://www.heydownloads.com) by clicking the link below



- Please note: If there is no response to CLICKING the link, please download this PDF first and then click on it.

CLICK HERE TO **DOWNLOAD** THE COMPLETE MANUAL