

# 689G Telescopic Handler

## Parts Catalog

Bur 7-4371

Printed in U.S.A.

**CASE CORPORATION**  
700 STATE STREET  
RACINE, WI 53404 U.S.A.

**CASE CANADA CORPORATION**  
3350 SOUTH SERVICE ROAD  
BURLINGTON, ON L7N 3M6 CANADA

**CASE**

CLICK HERE TO **DOWNLOAD** THE COMPLETE MANUAL

- Thank you very much for reading the preview of the manual.
- You can download the complete manual from: [www.heydownloads.com](http://www.heydownloads.com) by clicking the link below



- Please note: If there is no response to CLICKING the link, please download this PDF first and then click on it.

CLICK HERE TO **DOWNLOAD** THE COMPLETE MANUAL

## ALPHABETICAL INDEX

## L

Lamps	
Console.....	4-17
Dome .....	4-41
Instrument Panel Gauge.....	4-17
Signal.....	4-27,4-29,4-33,4-35
Work.....	4-21,4-23,4-33,4-35
Leveling Cylinder.....	6-13
Leveling Cylinder Hydraulics .....	8-25
Lever - Transmission Control .....	6-3,6-5
Lift and Transfer Pump - Fuel.....	3-17
Lines - Fuel.....	3-3,3-9 - 3-13,3-19,3-21

## M

Main Control Valve.....	8-45 - 8-53
Main Frame .....	9-3
Manifold - Intake and Exhaust.....	2-17
Mats - Floor .....	9-13
Mirror - Rear View .....	9-43
Motor - Wiper.....	4-43,9-13
Mounting	
Battery.....	4-3
Engine.....	2-3
Instrument Cluster.....	4-5
Joystick Control Valve.....	8-23
Main Control Valve.....	8-13
Pump.....	8-11
Radiator .....	2-11
Muffler - Engine Exhaust .....	2-5

## N

Nozzle - Fuel Injection.....	3-9
Numerical Index.....	10-1

## O

Oil Cooler - Engine.....	2-31
Oil Filler Cap.....	2-29
Oil Filter - Engine.....	2-31
Oil Filter - Hydraulic .....	8-5,8-7
Oil Pan.....	2-41
Oil Pump.....	2-37

## P

Pan - oil.....	2-41
Parking Brake .....	4-11,7-7
Pedal - Brake .....	7-3
Pilot Control Lines - Fork .....	8-25
Pistons and Connecting Rods .....	2-47
Plates - Floor .....	9-5
Pulley	
Alternator.....	4-15
Crankshaft.....	2-35
Fan .....	2-43
Pump	
Engine Oil.....	2-37
Fuel Lift .....	3-17
Hydraulic Oil.....	8-61
Water.....	2-13
Pump and Drive - Injection .....	3-9
Push Rods .....	2-19

## Q

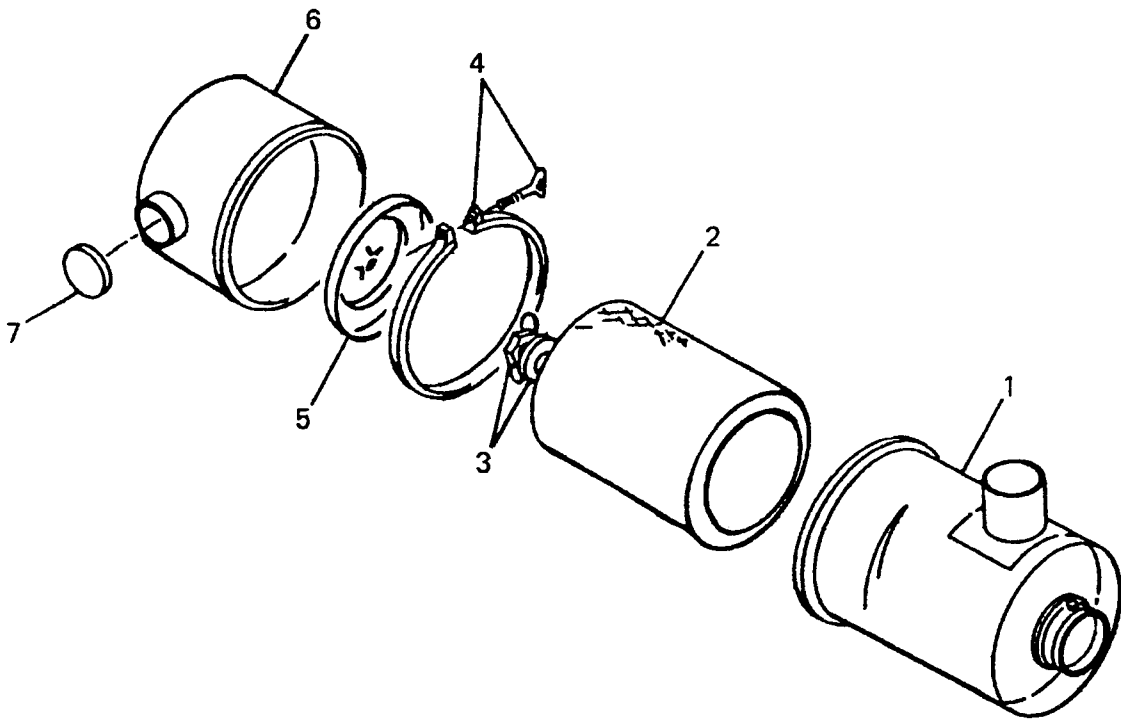
Quick Attach Frame .....	9-33,9-35
--------------------------	-----------

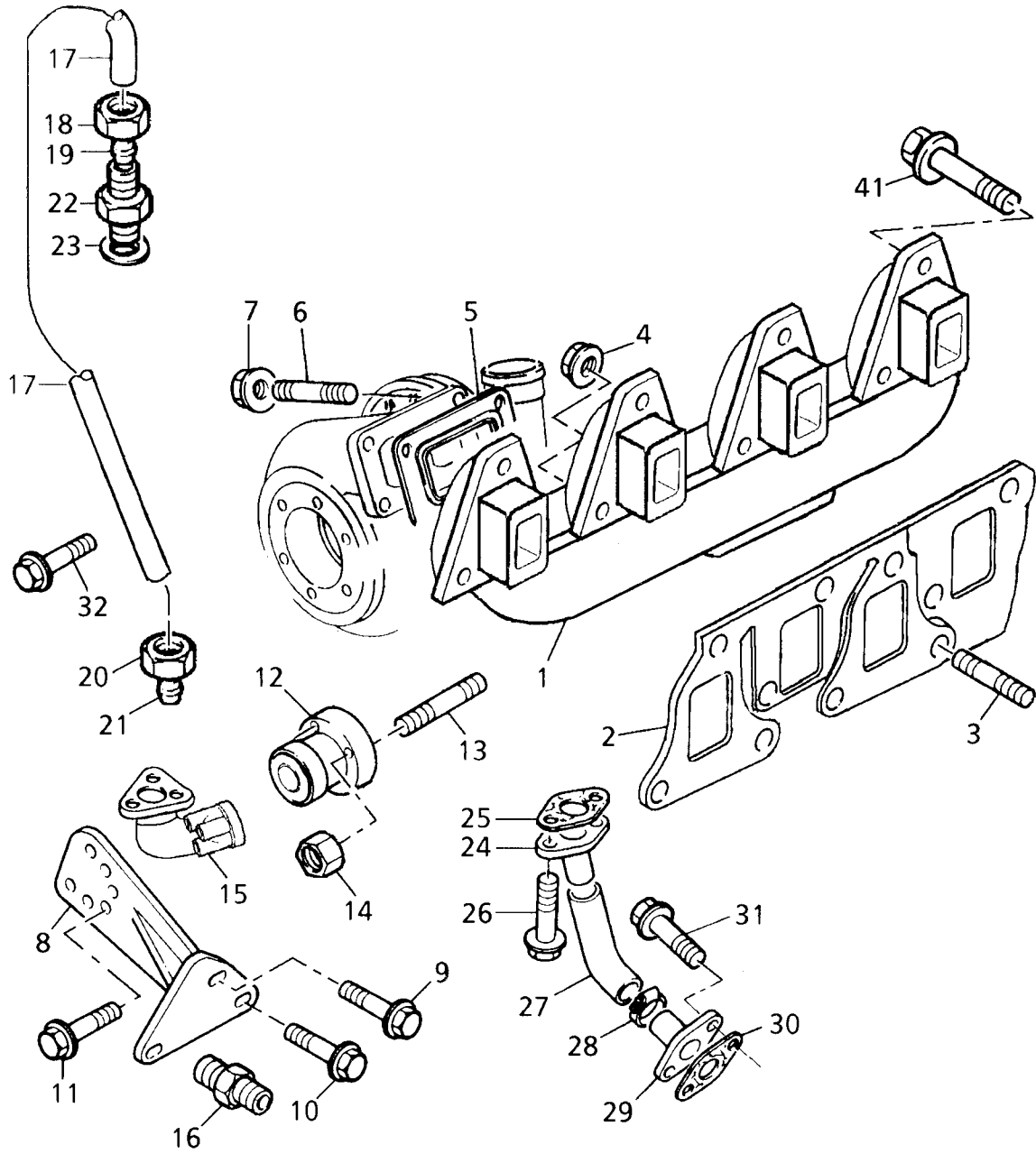
## R

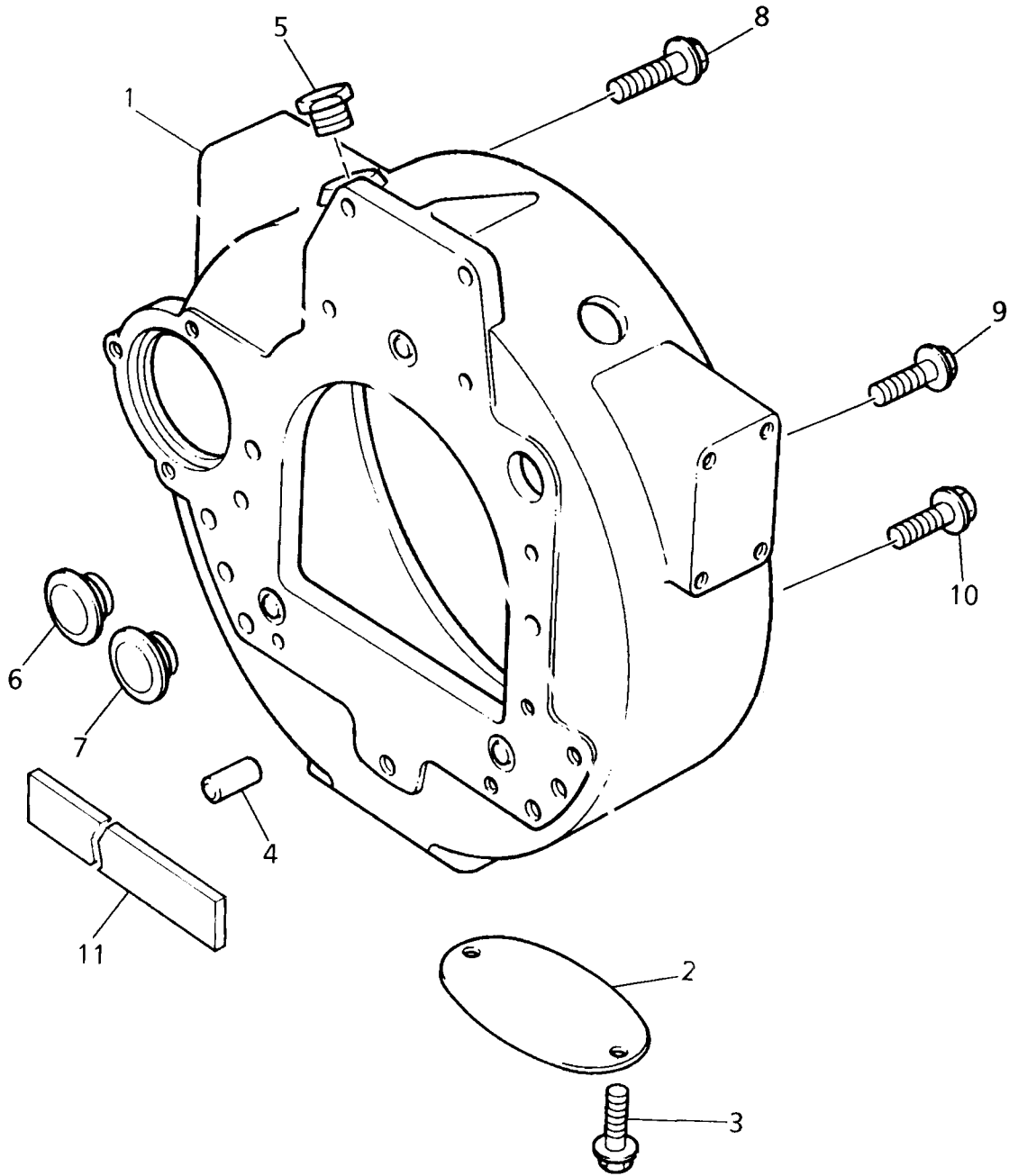
Radiator	
Cap.....	2-11
Hoses .....	2-11,2-11B,8-3
Mounting .....	2-11
Overflow Reservoir.....	2-11,2-11B
Rear View Mirror.....	9-43
Reel - Hose.....	8-31
Remote Control Valve and Mounting.....	8-23
Reservoir	
Hydraulic Oil.....	8-5
Radiator Overflow .....	2-11,2-11B
Washer Fluid .....	4-45
Rings - Piston .....	2-39
Rocker Arms .....	2-19
Roller - Boom.....	9-25,9-27

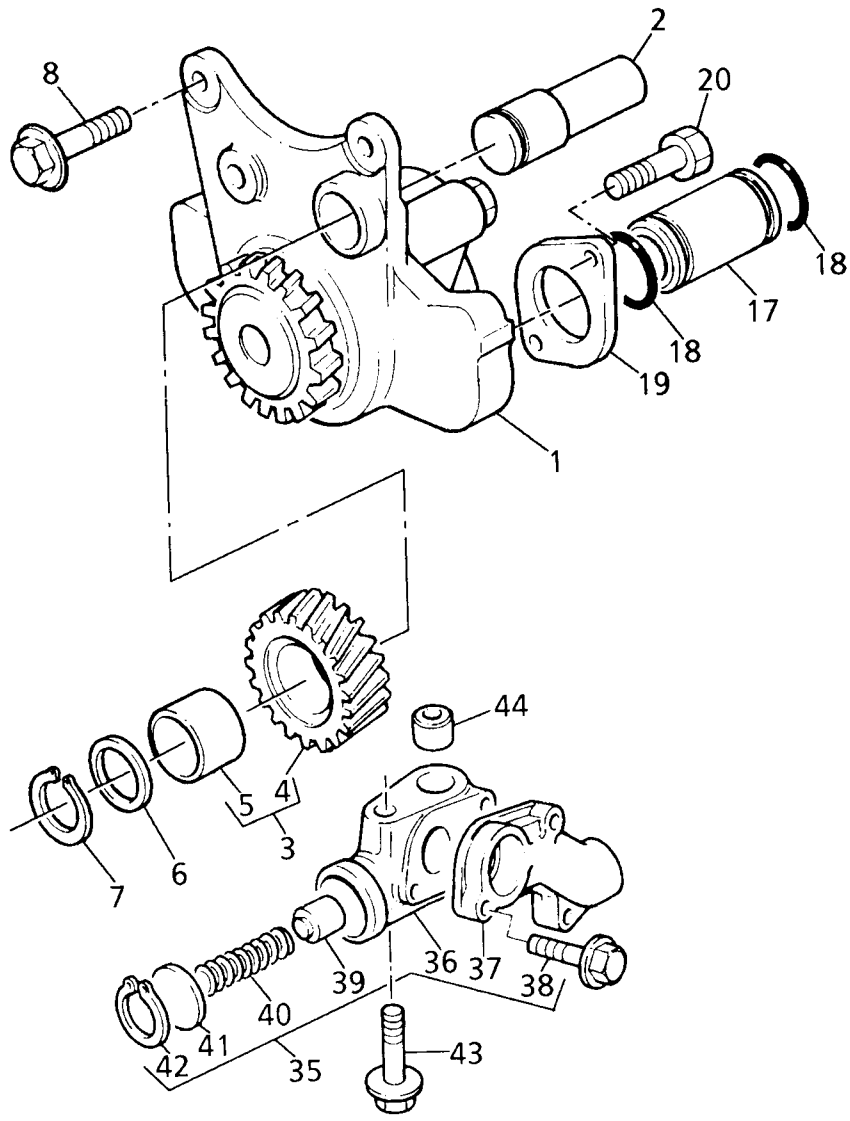
## S

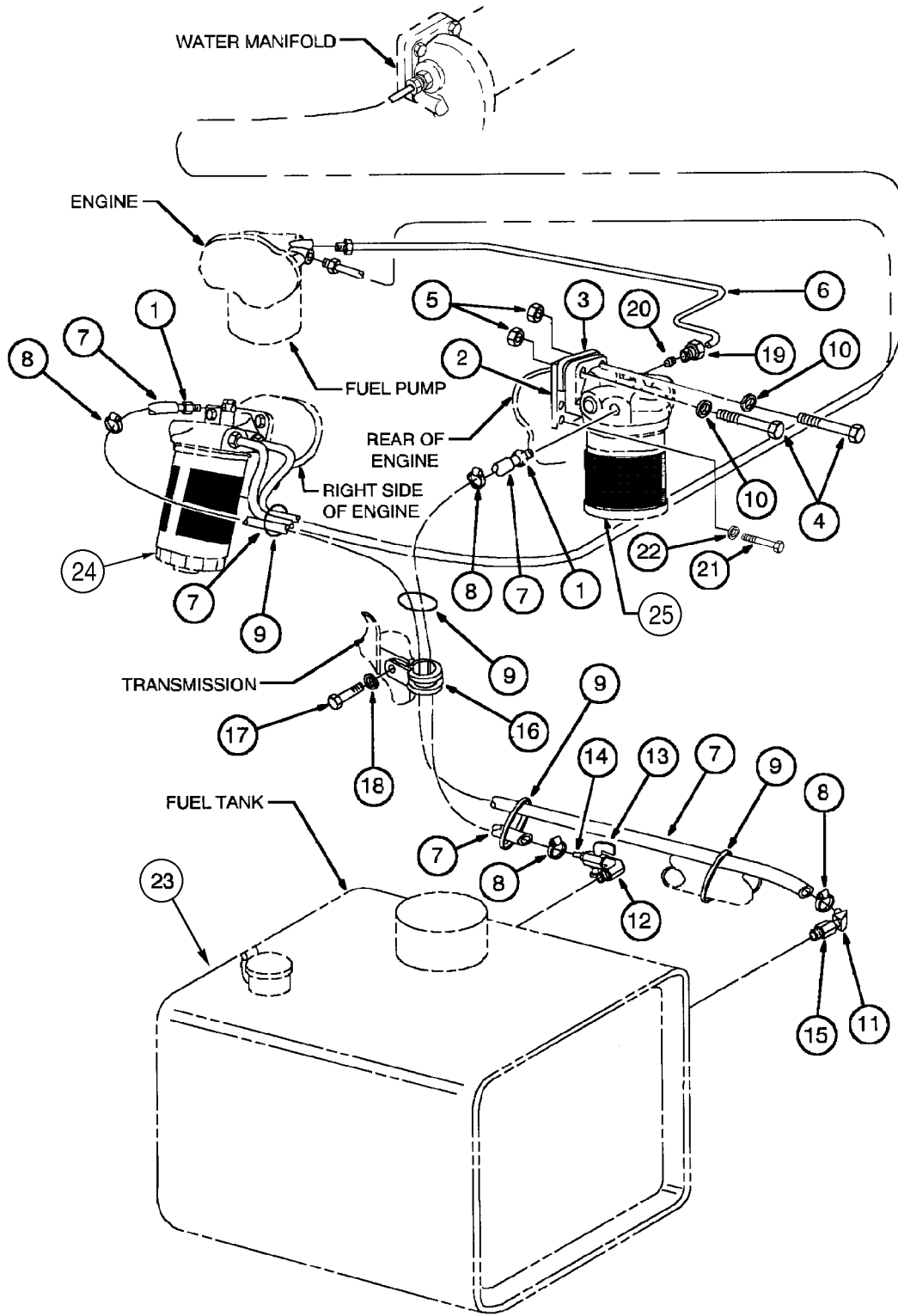
Seat .....	9-9,9-11
Seat Belt .....	9-9
Seat Slide Rails and Platform .....	9-11
Selector Valve - Steering .....	5-11,5-13
Senders	
Air Filter Restriction.....	2-7
Fuel Level.....	3-3B
Oil Pressure .....	4-13
Temperature - Transmission .....	4-13
Temperature - Water .....	4-13
Stabilizer Cylinder.....	8-35
Stabilizer Cylinder Hydraulics .....	8-35 - 8-39
Separator - Water .....	3-19

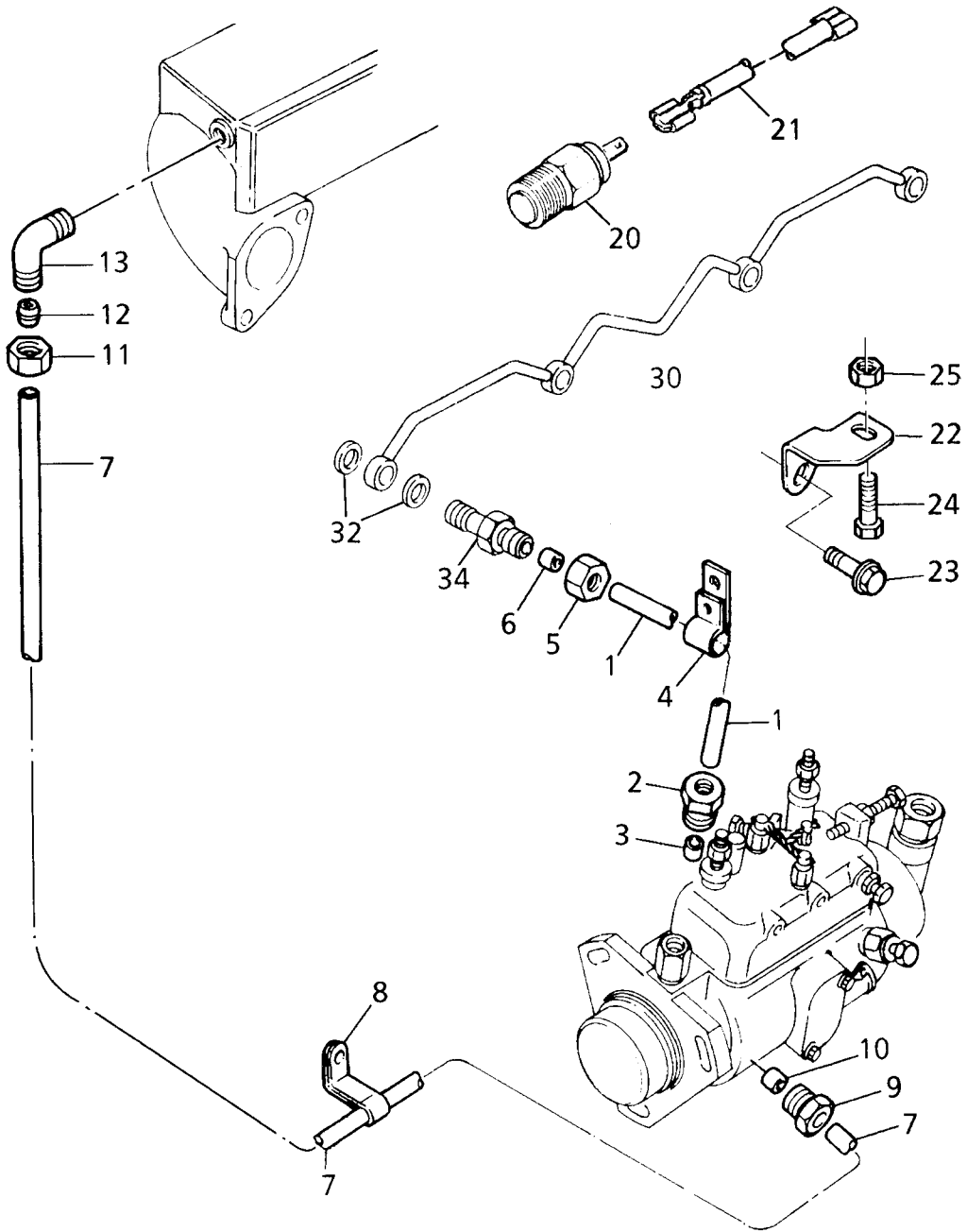


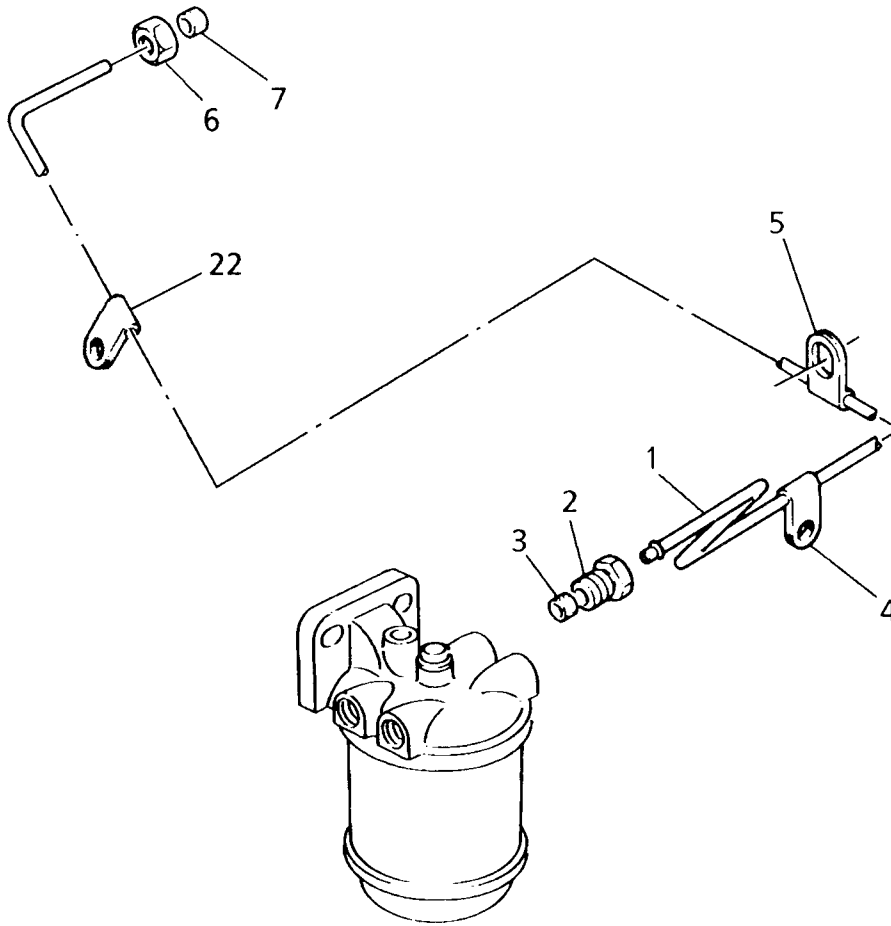


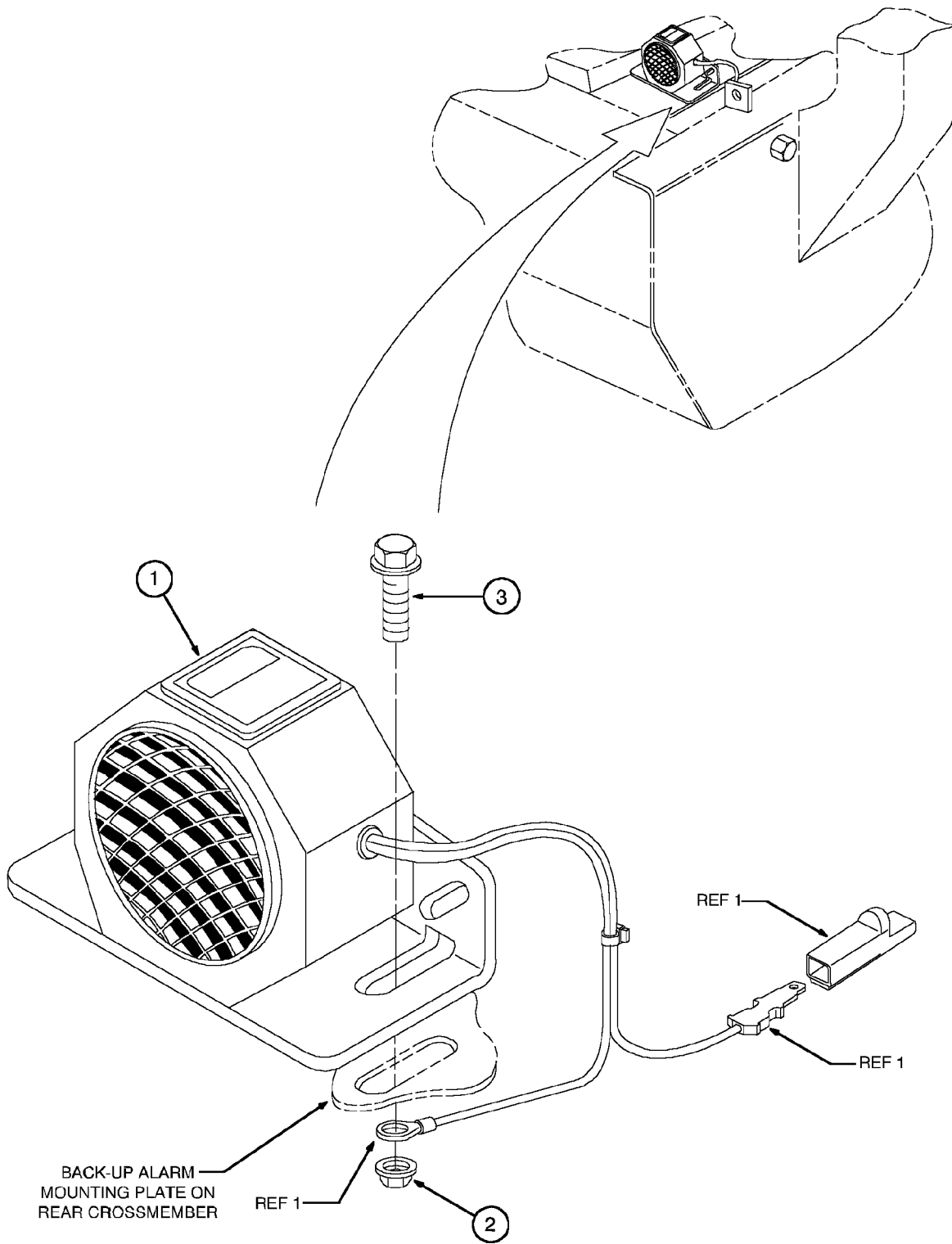


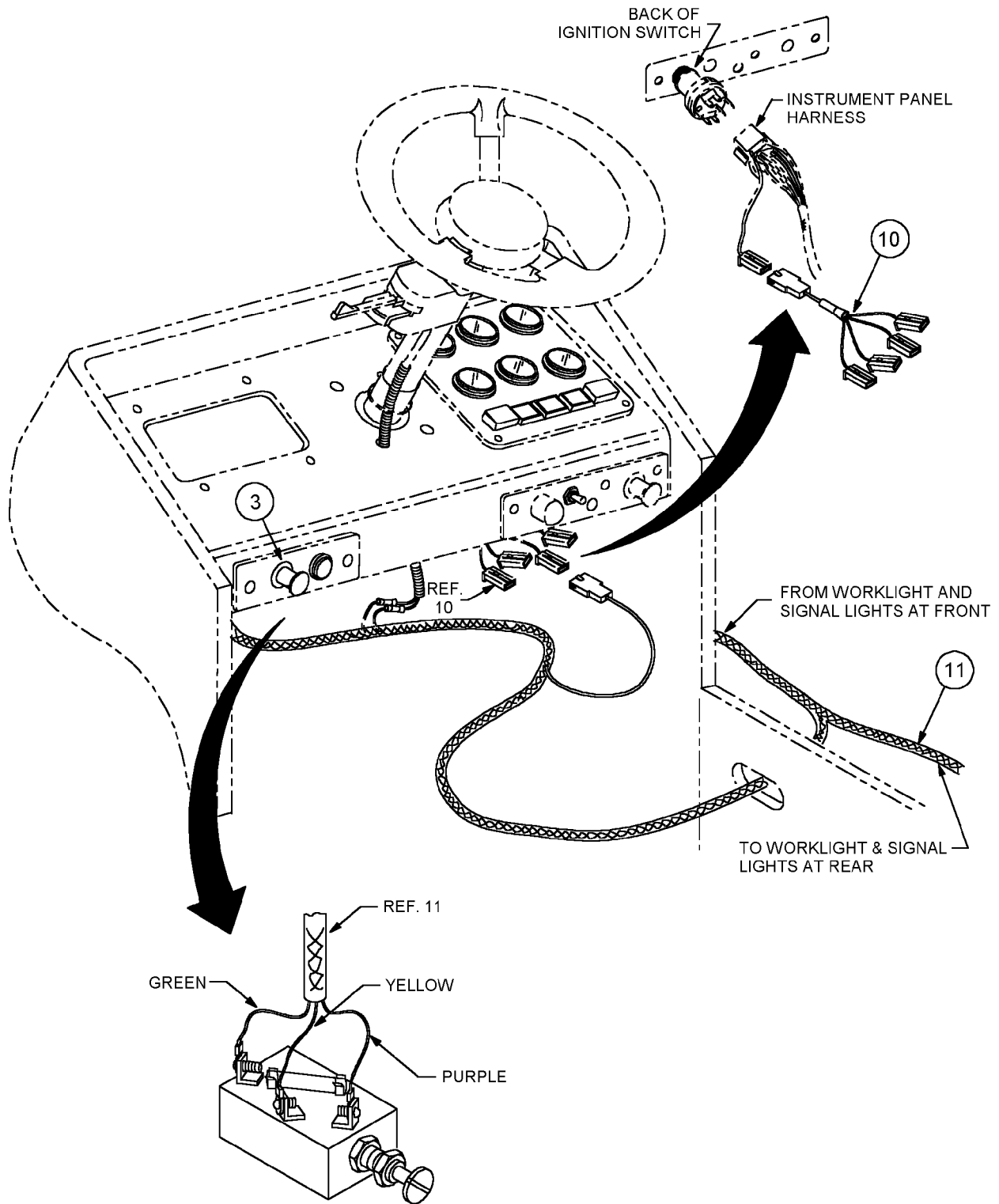


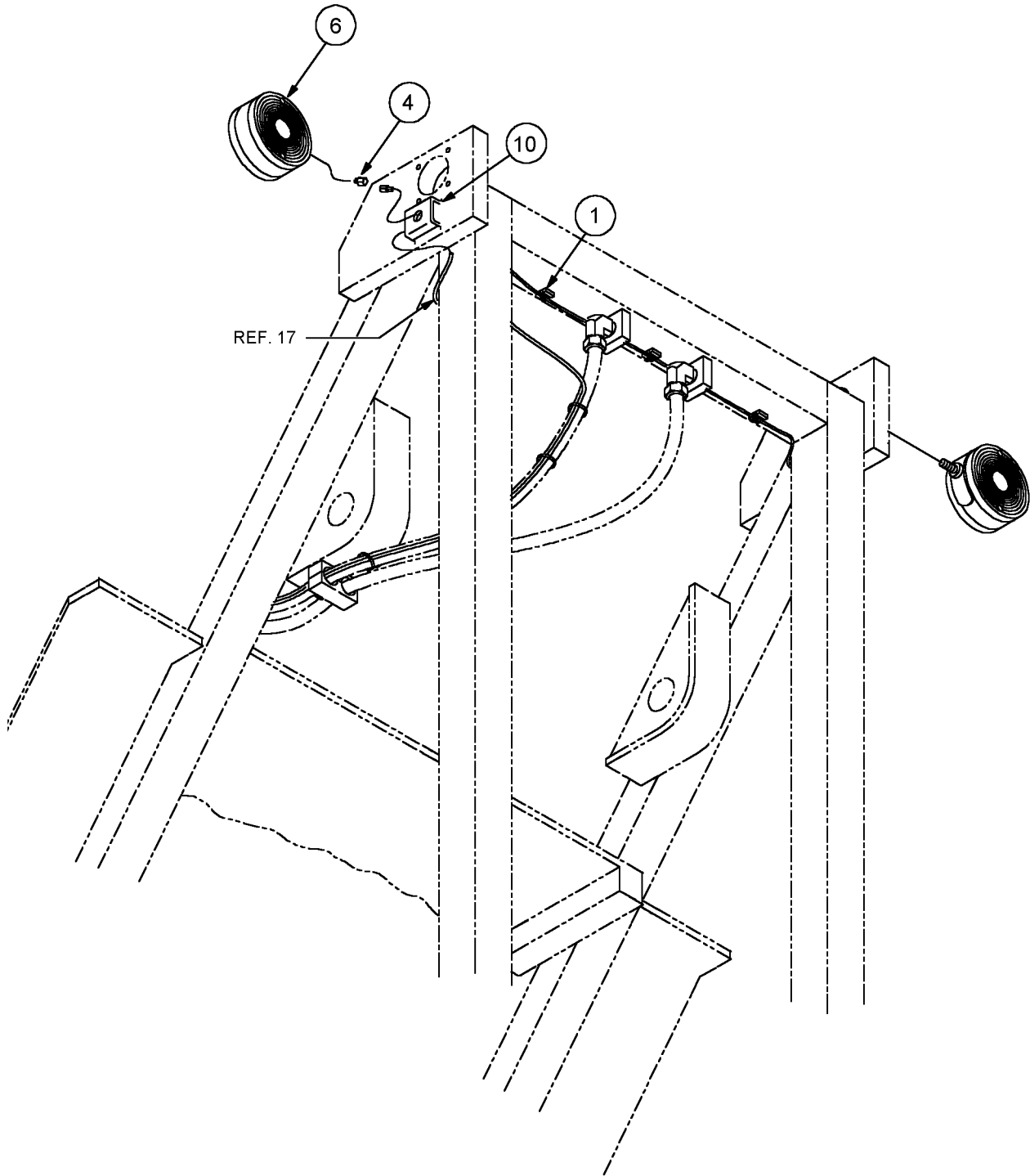


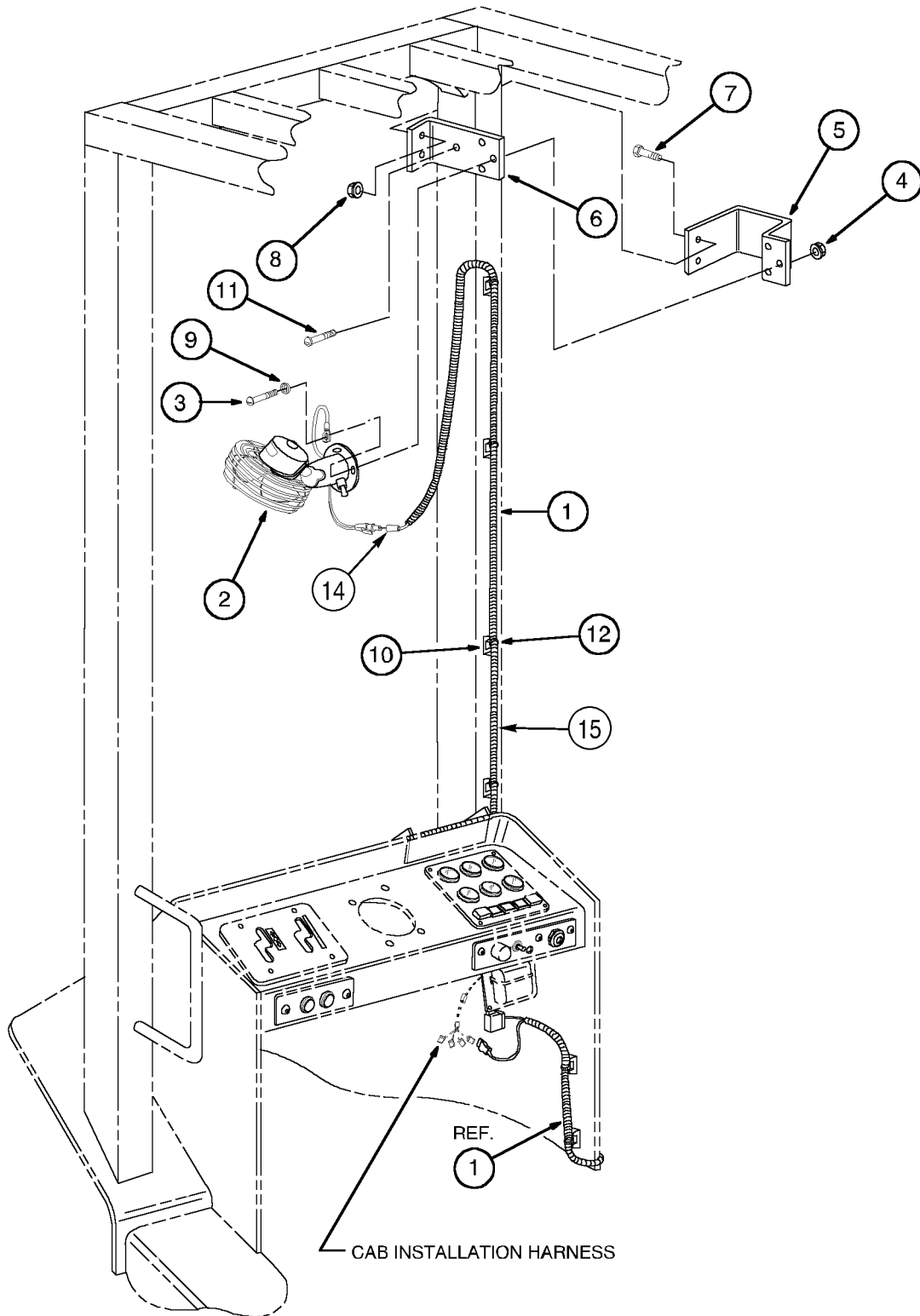


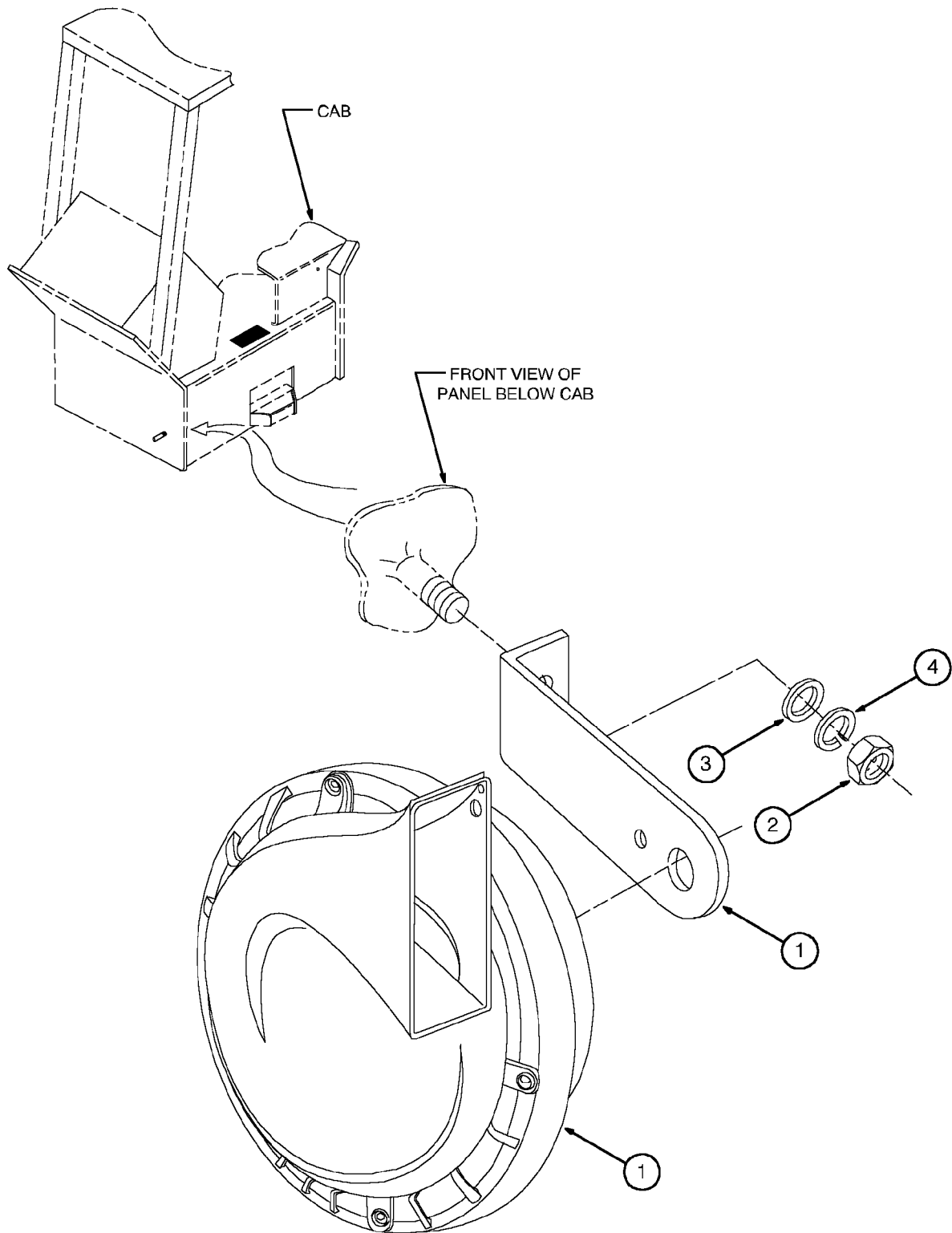


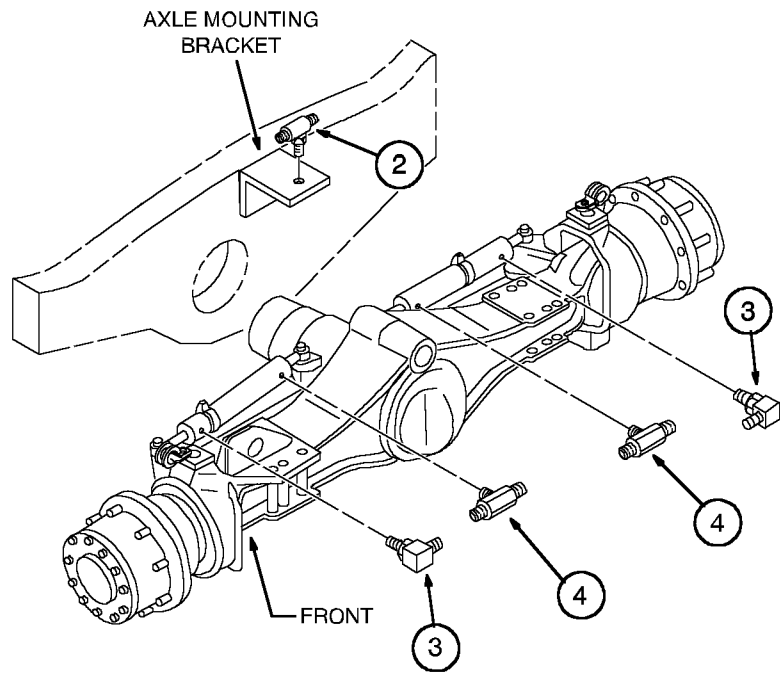
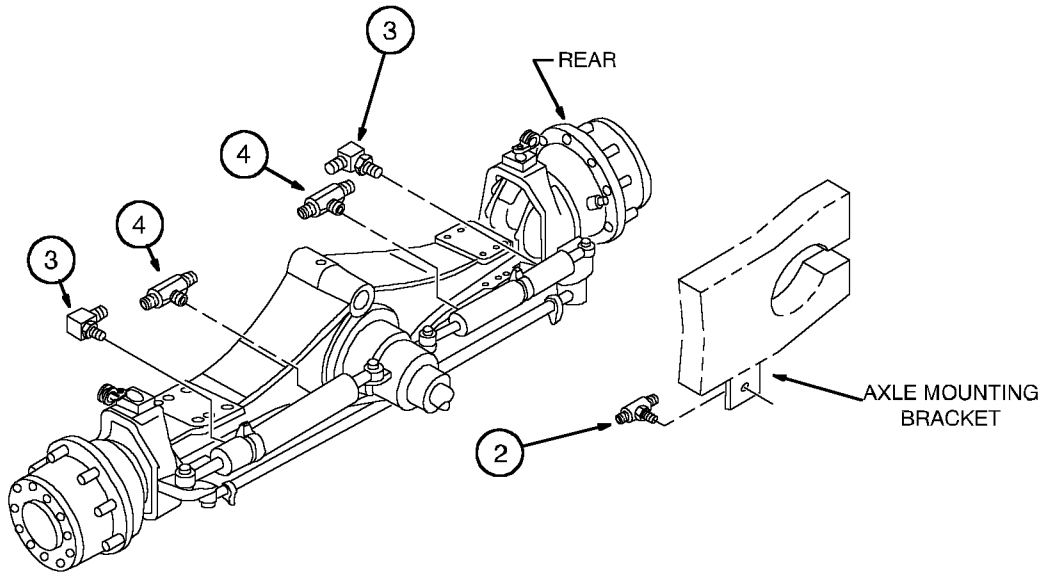


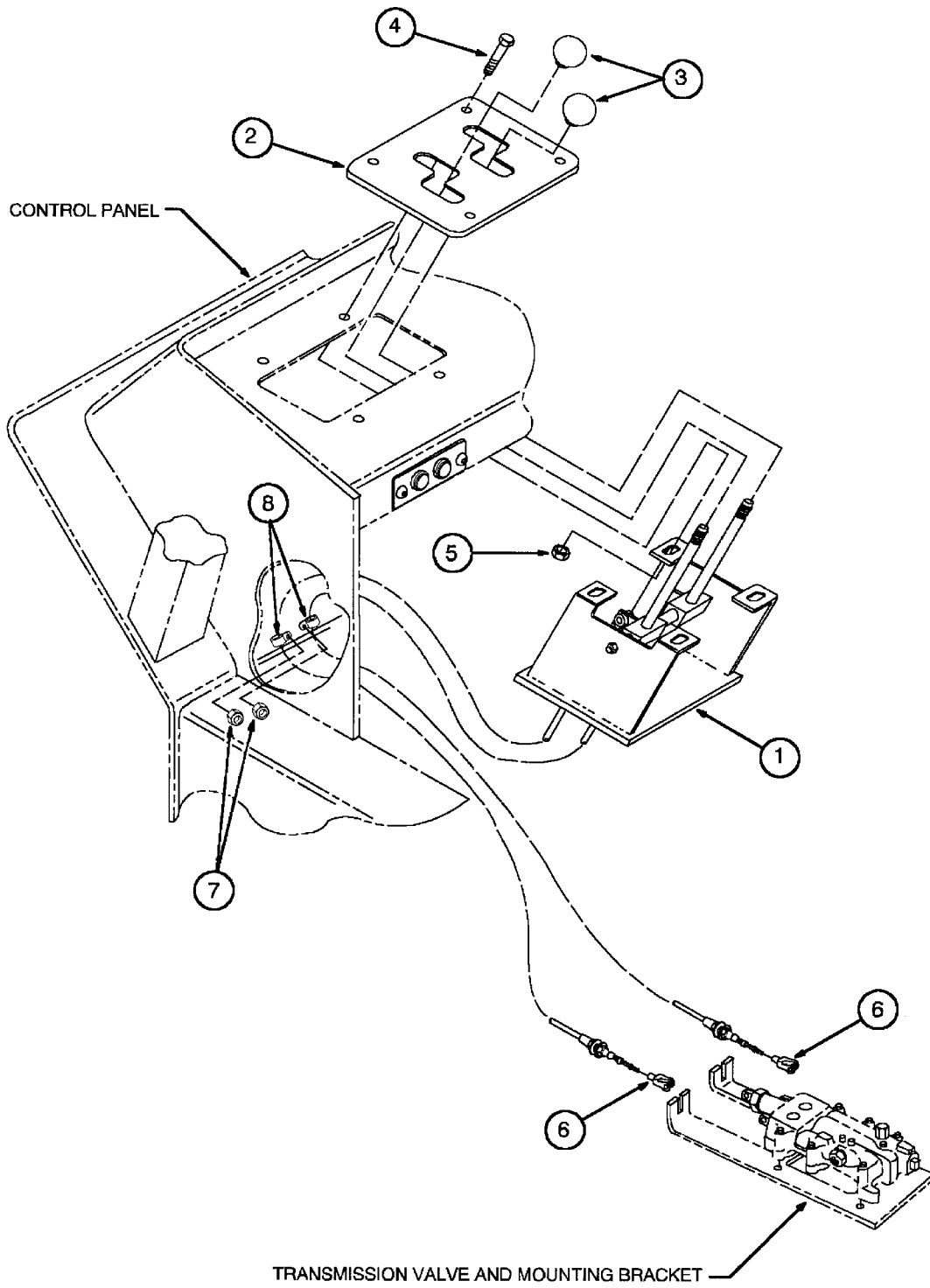












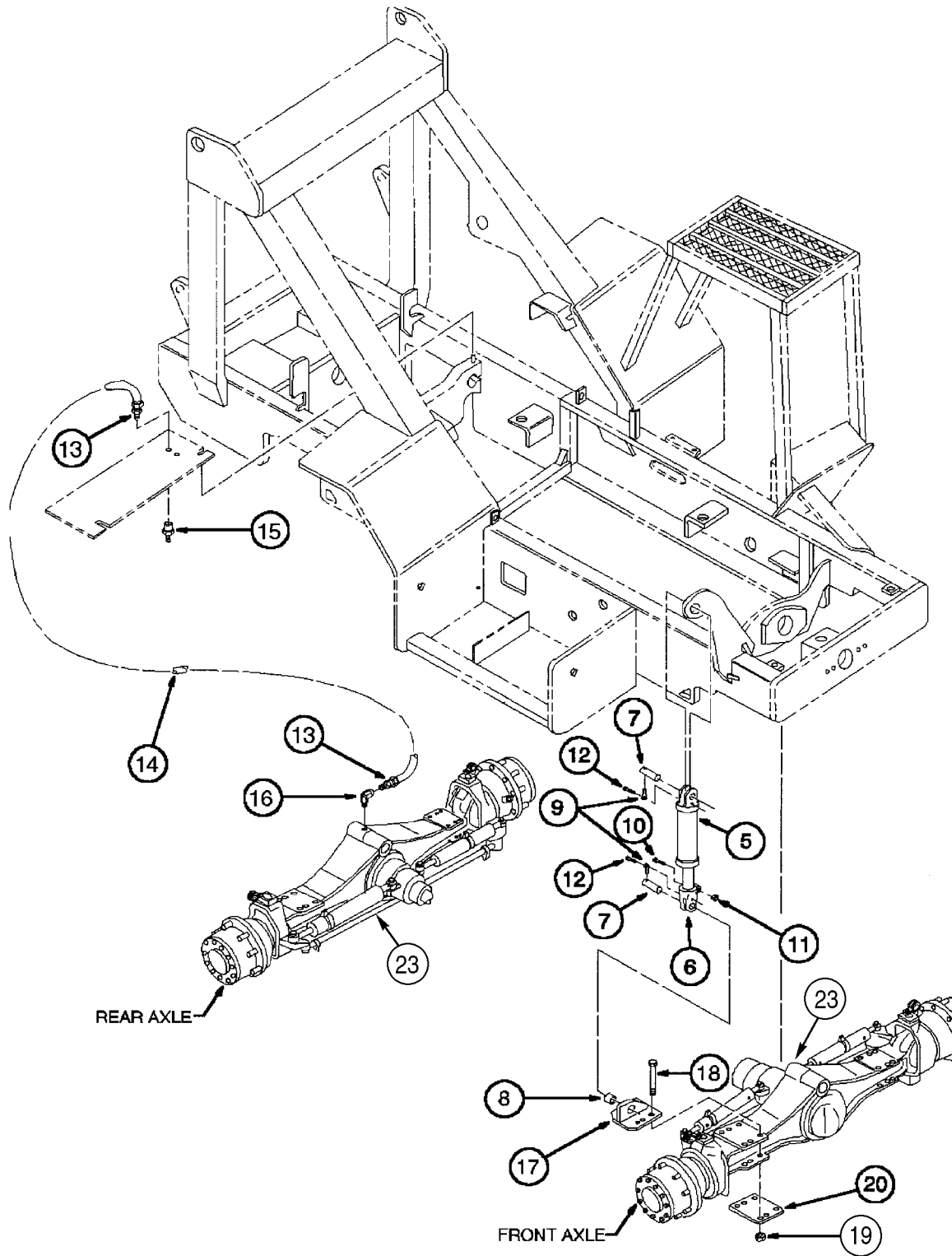
CLICK HERE TO **DOWNLOAD** THE COMPLETE MANUAL

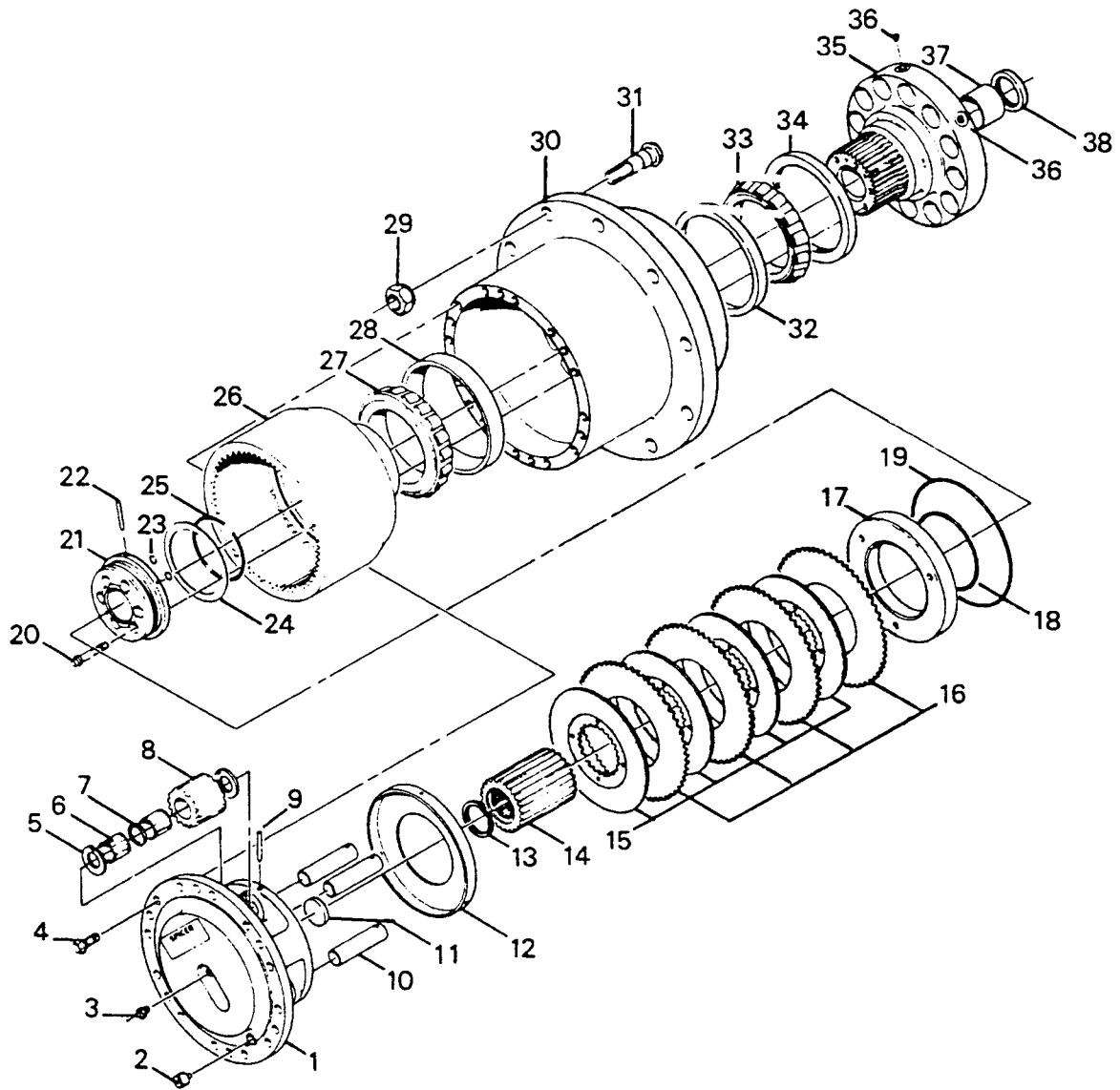
- Thank you very much for reading the preview of the manual.
- You can download the complete manual from: [www.heydownloads.com](http://www.heydownloads.com) by clicking the link below

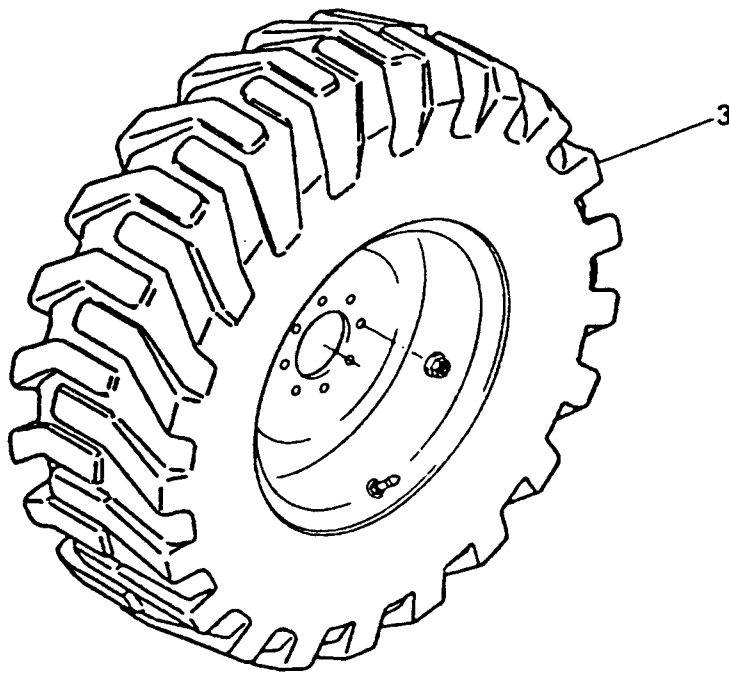
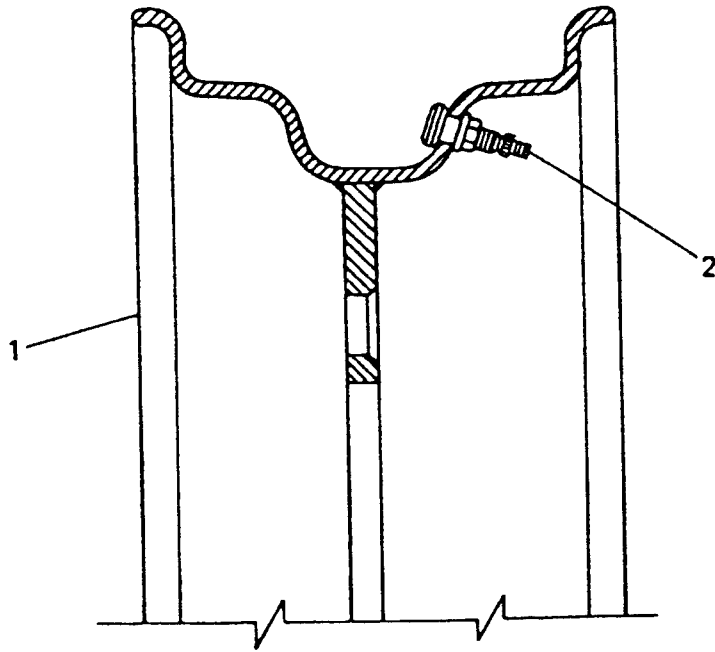


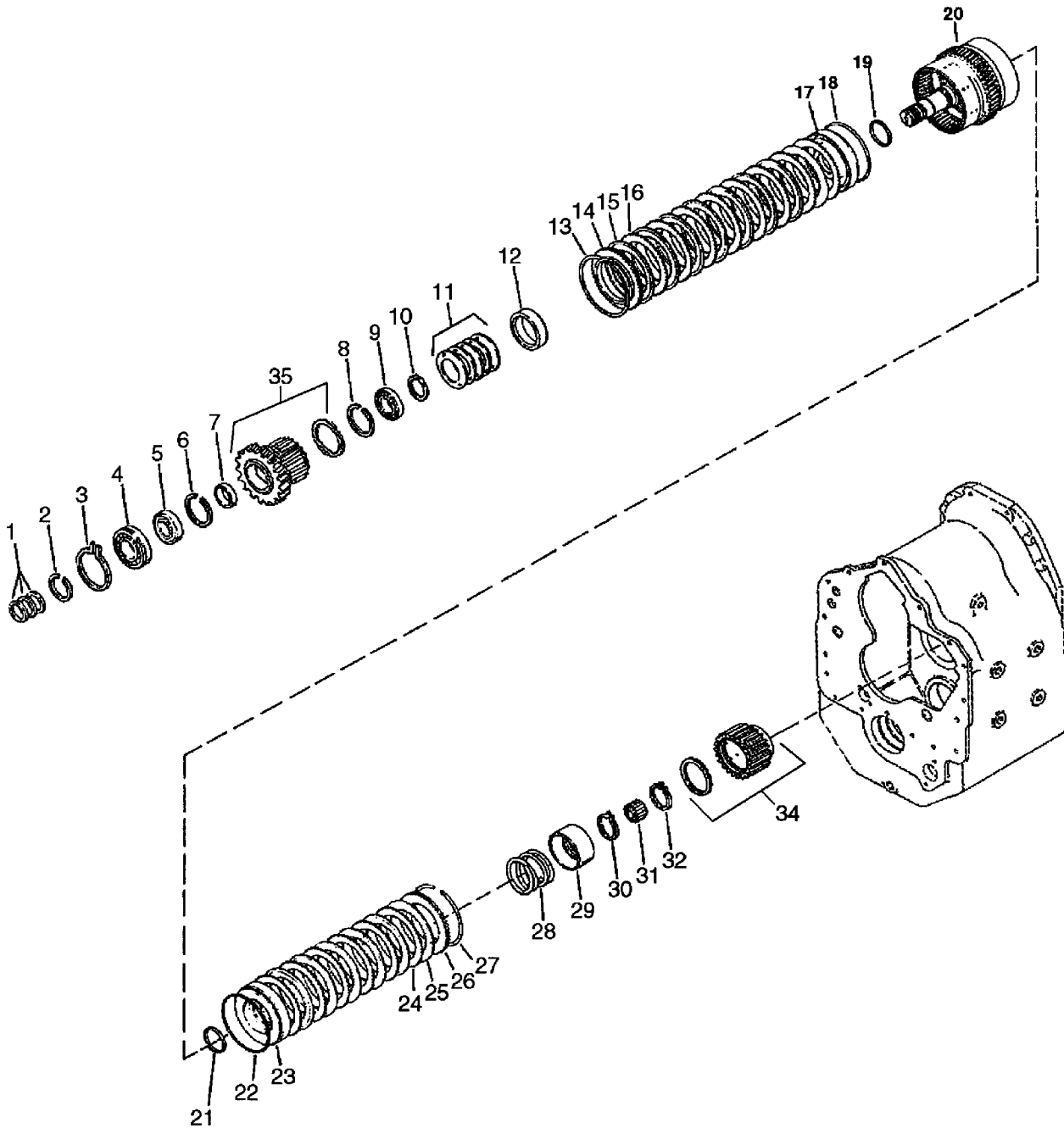
- Please note: If there is no response to CLICKING the link, please download this PDF first and then click on it.

CLICK HERE TO **DOWNLOAD** THE COMPLETE MANUAL

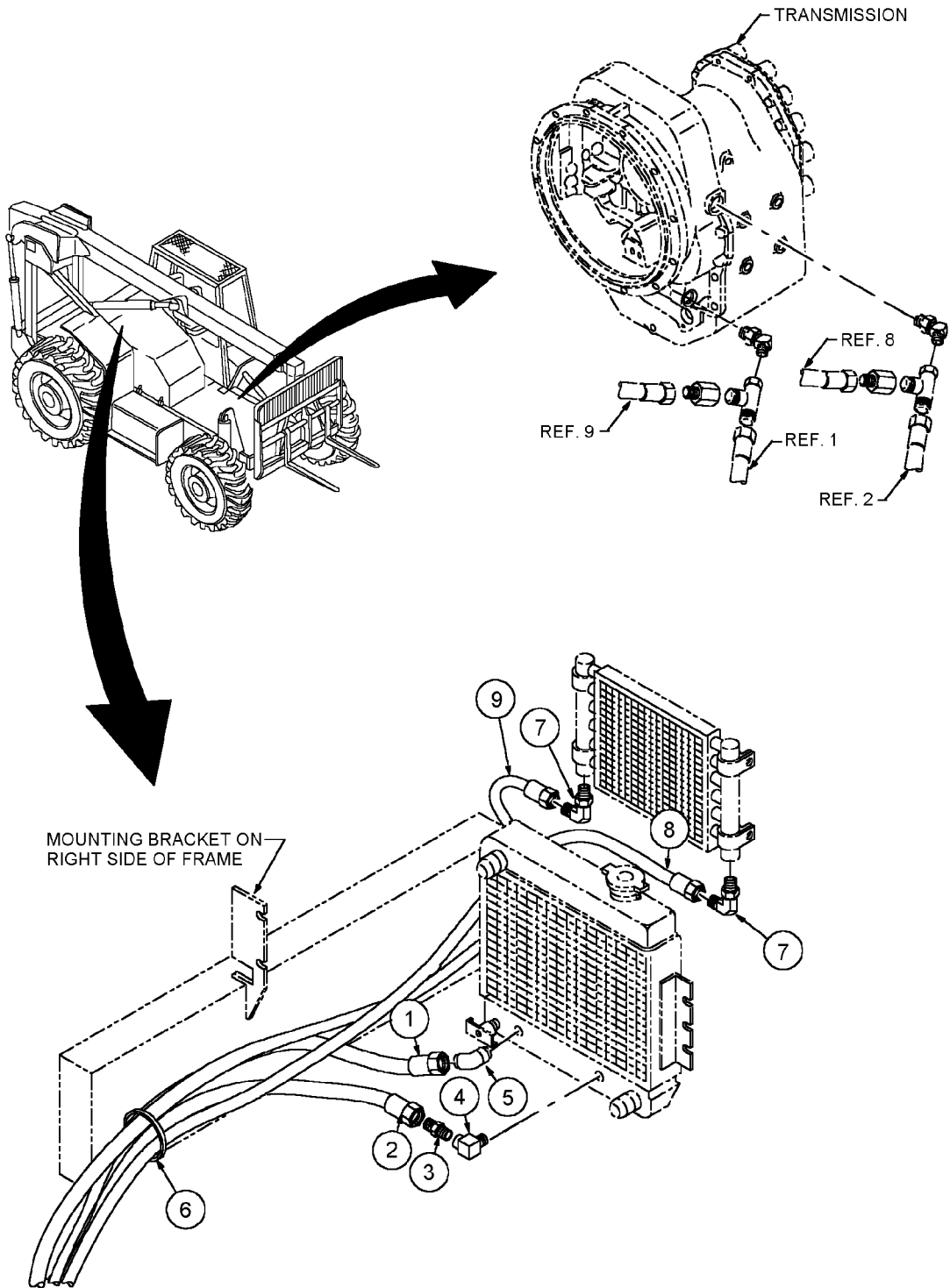


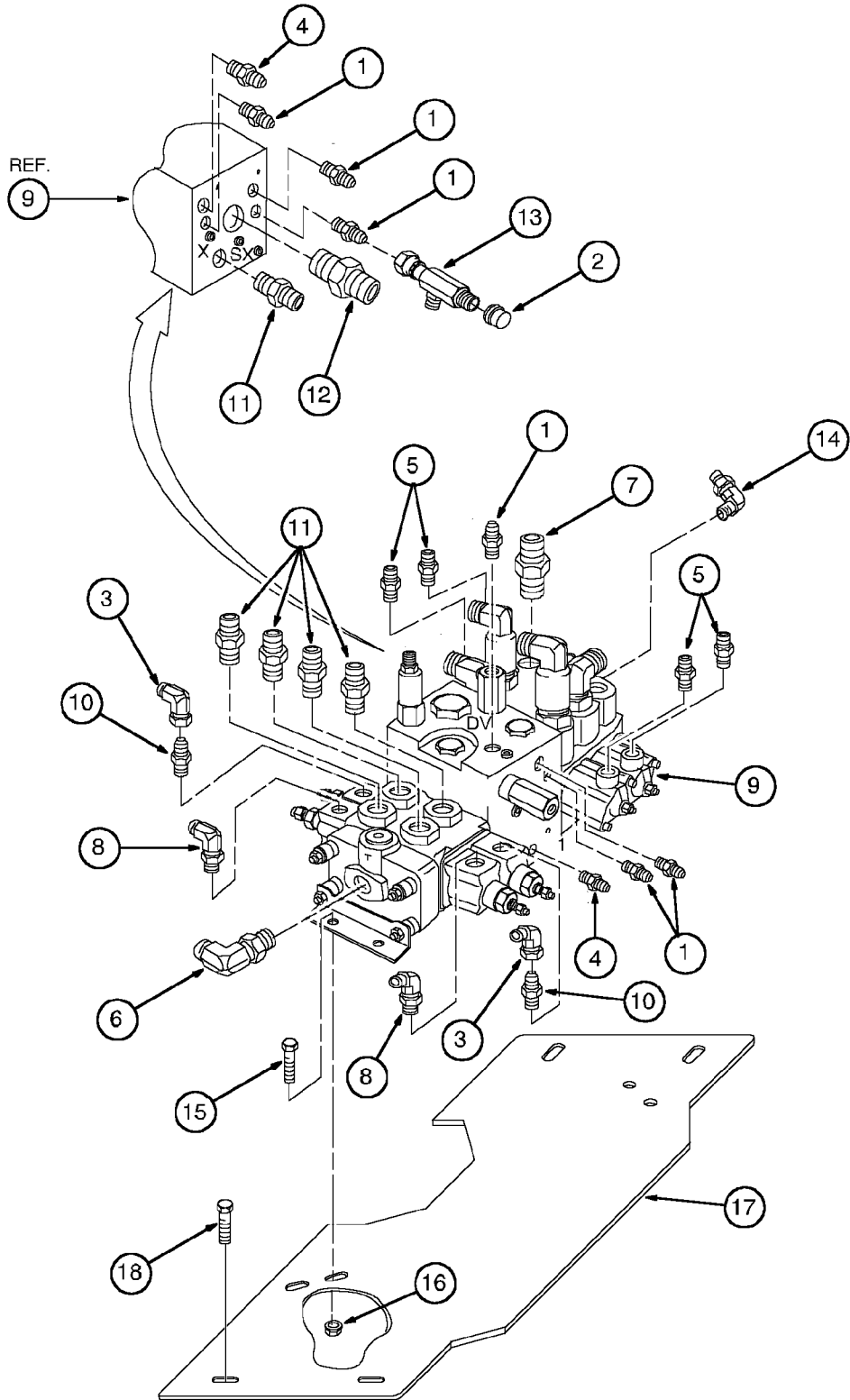


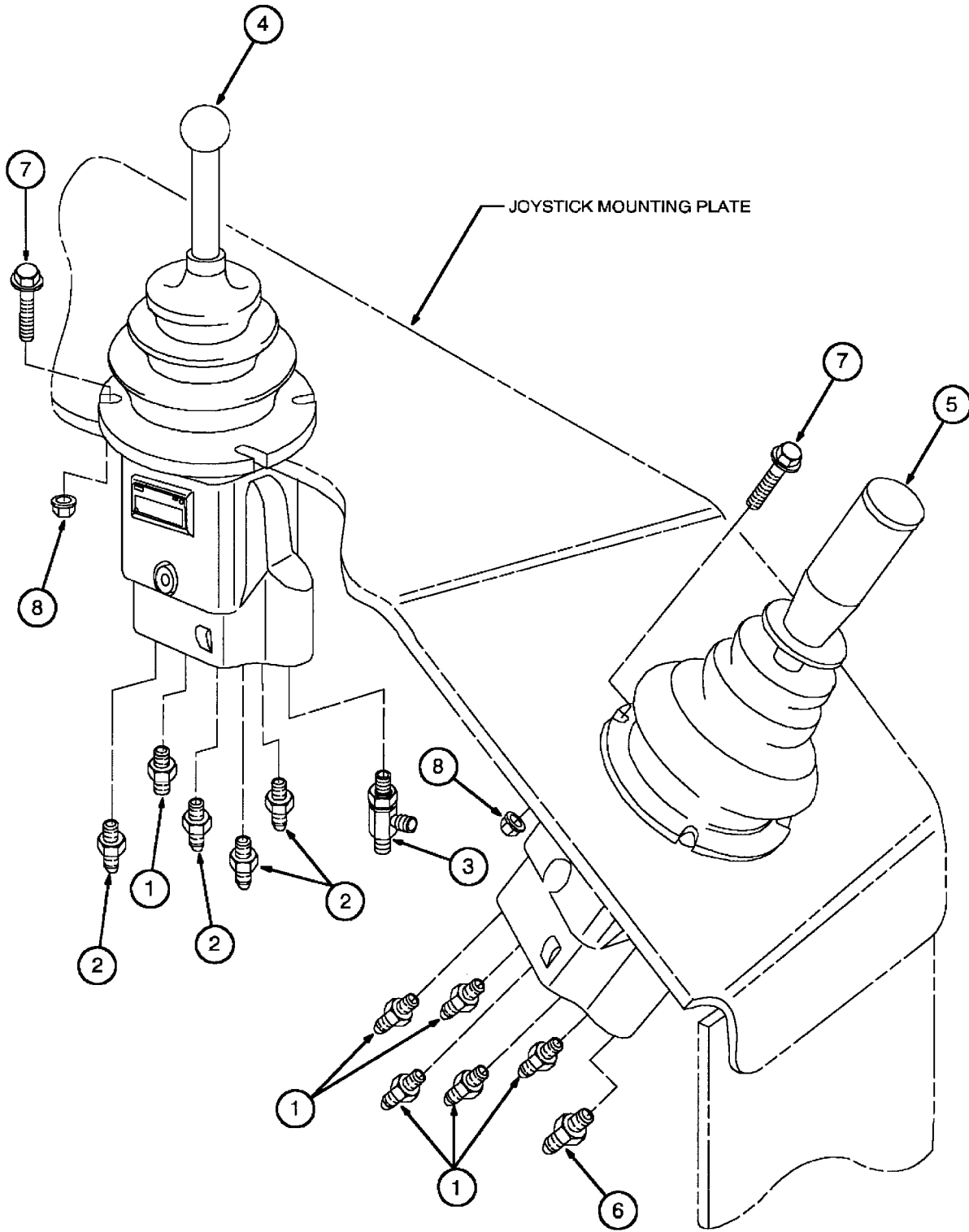


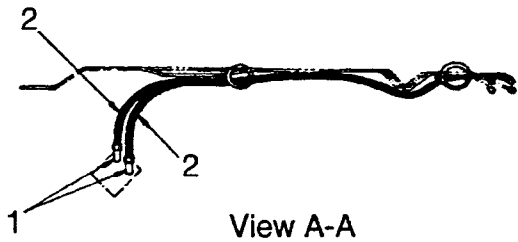
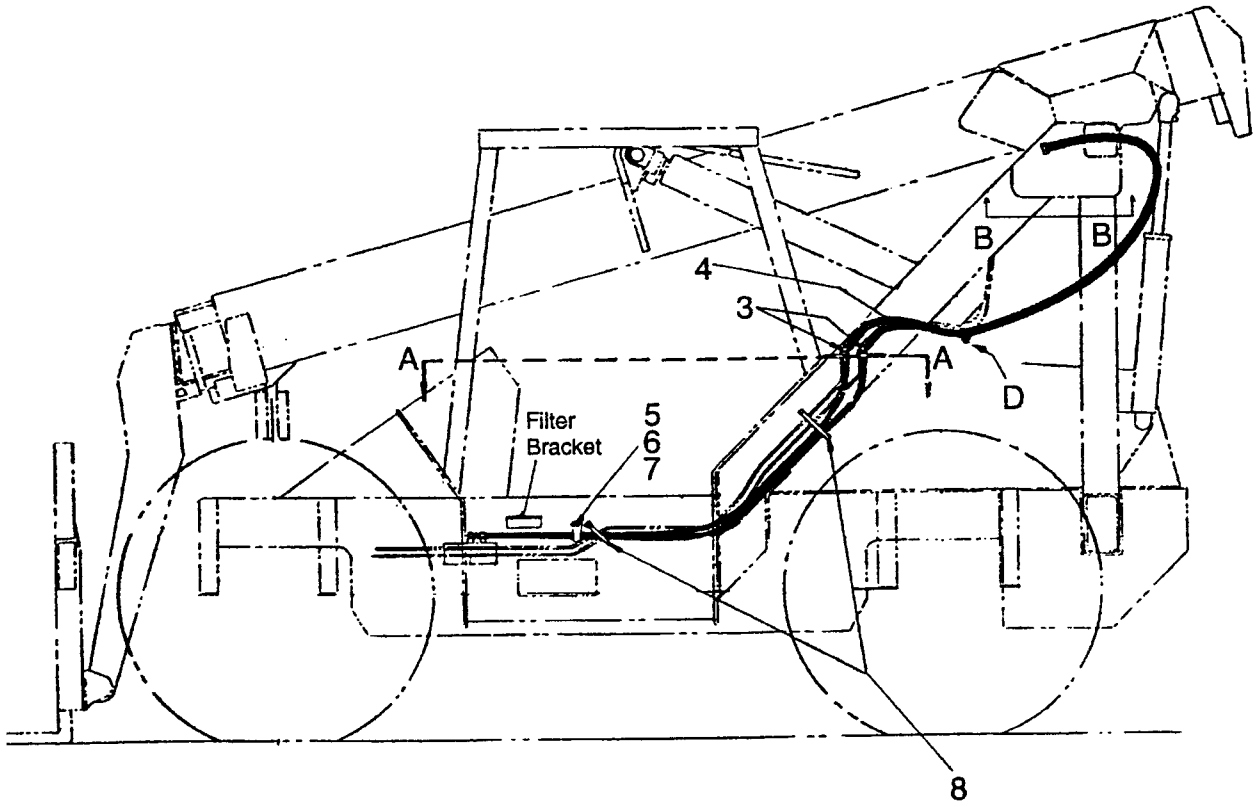




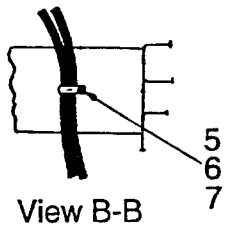




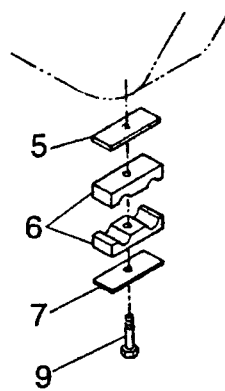




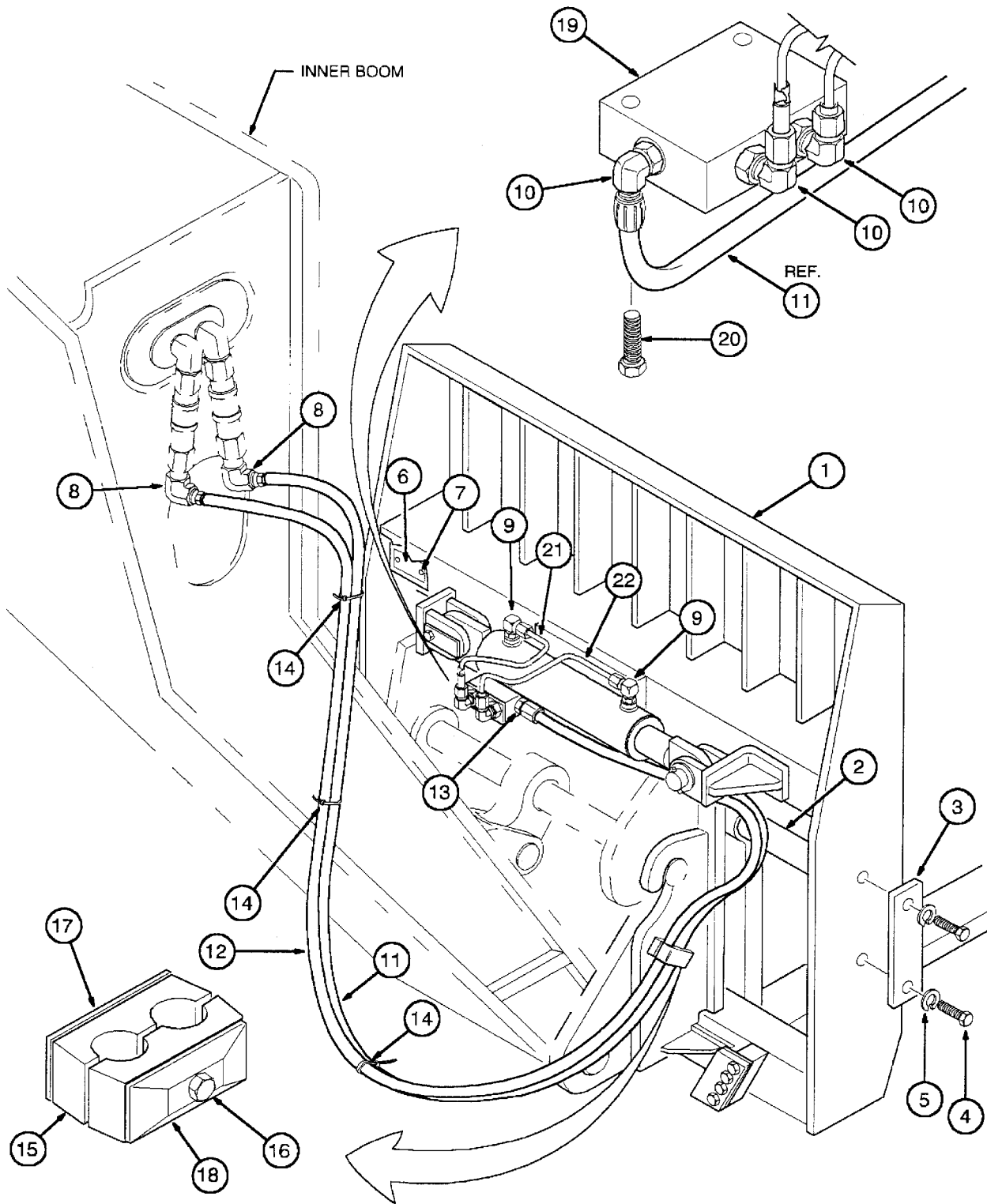
View A-A

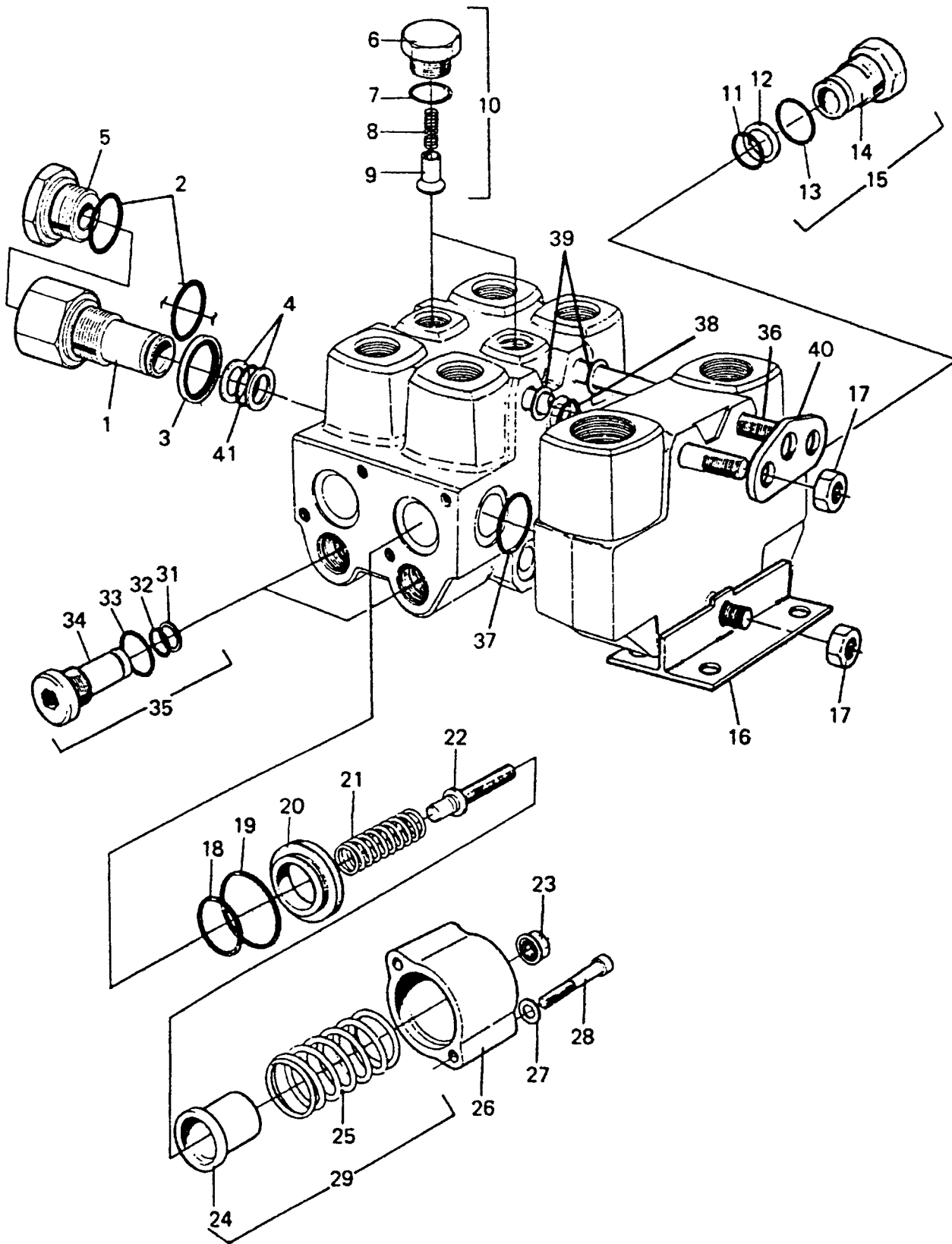


View B-B



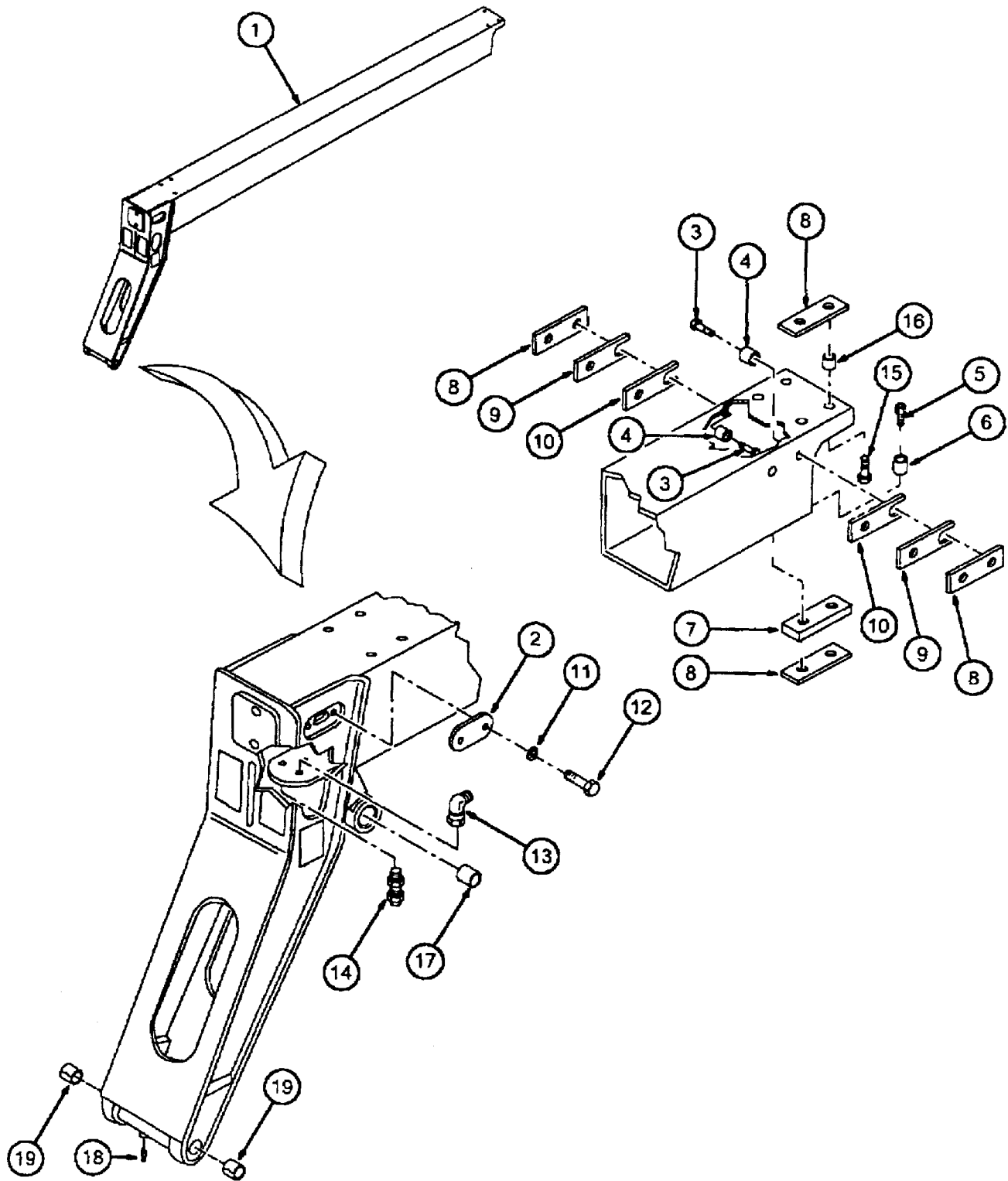
View D

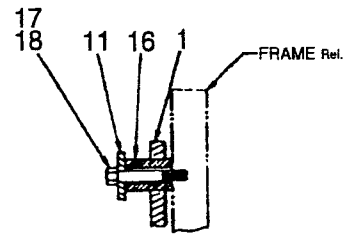




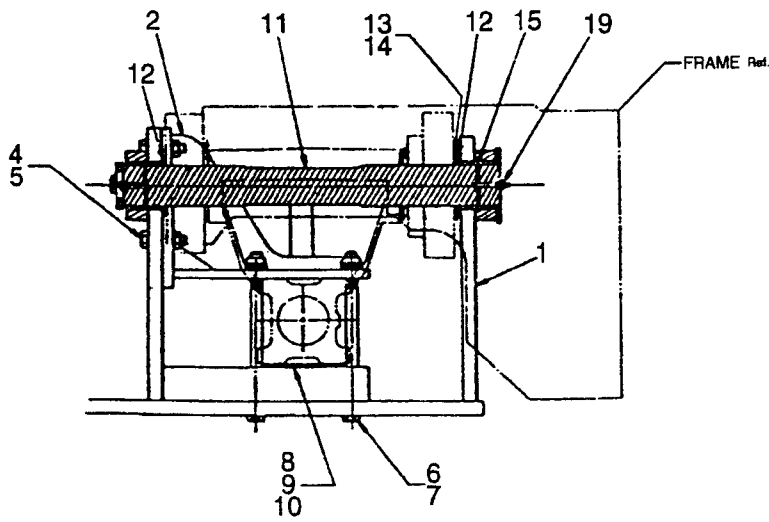
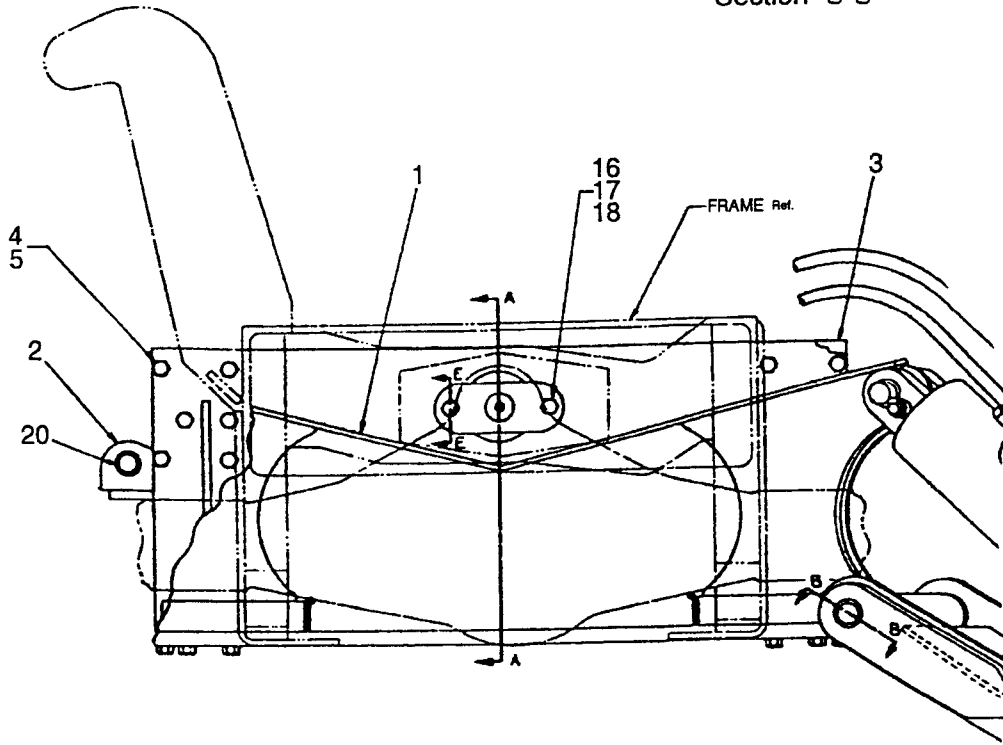




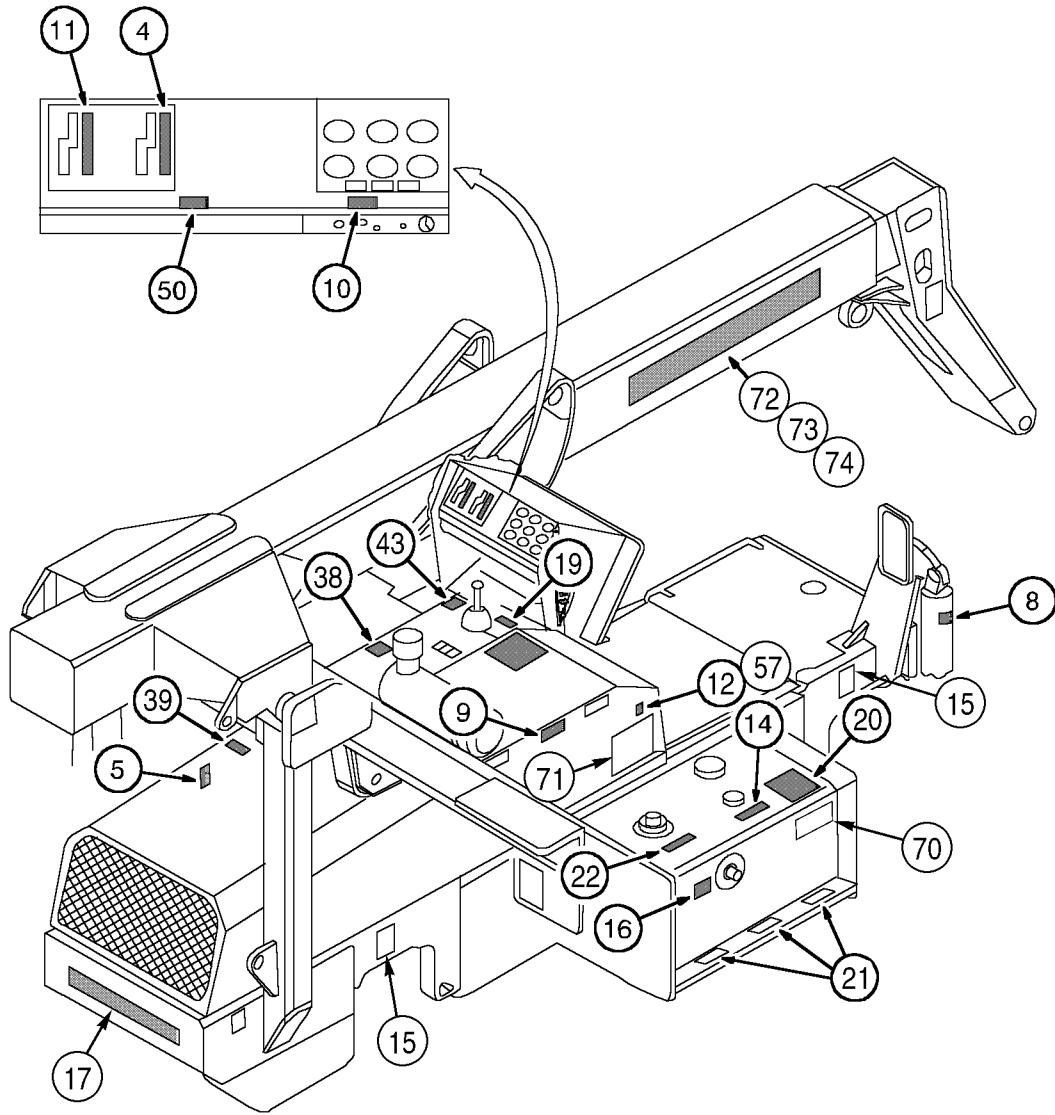




Section B-B



Section A-A



## NUMERICAL INDEX

PART NO.	PAGE	REF.	PART NO.	PAGE	REF.	PART NO.	PAGE	REF.
218469A1	3-5	19	219-1	9-35	28	291975A1	3-9	18
218470A1	3-5	20	219-60	6-13	15	291976A1	3-9	20
218471A1	3-5	21	219-8	9-15	18	291999A1	2-17	29
218472A1	3-5	22	219711A1	2-41	25	292992A1	2-39	3
218473A1	3-5	23	219712A1	2-41	59	292993A1	2-19	8
218474A1	3-5	24	219755A1	4-15	10	292993A1	2-19	11
218476A1	3-5	26	219757A1	4-15	5	292994A1	2-39	9
218497A1	2-35	9	219757A1	4-15	11	292995A1	2-25	24
218498A1	2-35	10	219760A1	3-17	6	292999A1	2-21	23
218499A1	2-35	11	219771A1	2-31	19	293000A1	2-25	18
218513A1	3-21	2	221-667	2-13	44	293003A1	2-13	33
218514A1	3-11	3	221-667	2-23	33	293009A1	2-31	10
218514A1	3-11	10	222-653	2-17	19	293041A1	2-25	4
218514A1	3-21	3	222-653	2-17	21	293042A1	2-21	3
218521A1	2-29	13	225-14210	4-13	2	293043A1	2-21	10
218523A1	2-29	14	231-1444	5-11	5	293047A1	2-21	9
218537A1	2-35	12	231-1444	6-9	8	293124A1	2-21	6
218538A1	2-35	13	231-1444	9-9	11	293126A1	2-39	10
218539A1	2-35	14	231-1444	9-43	124	293128A1	2-19	6
218548A1	2-13	46	231-41412	6-13	19	293130A1	2-21	11
218553A1	2-17	30	232-1446	2-11	4	293131A1	2-21	4
218558A1	2-13	43	232-1446	9-5	36	293133A1	2-21	12
218559A1	2-13	24	232-1446	9-33	13	293137A1	2-17	18
218571A1	2-13	12	232-42410	2-3	10	293137A1	2-17	20
218571A1	2-15	7	232-46112	9-31	7	293139A1	2-17	4
218571A1	2-15	11	237-6008	6-7	2A	293140A1	2-21	8
218586A1	2-15	16	259837A1	9-11	10	293144A1	3-9	30
218586A1	2-17	7	259837A1	9-45	46	293144A1	3-11	30
218591A1	2-15	13	276-2434	4-41	2	293148A1	3-11	22
218603A1	3-13	16	281299A1	2-31	27	293152A1	2-17	25
218619A1	2-25	19	281585A1	2-23	16	293159A1	2-17	2
218621A1	2-25	21	281587A1	2-33	4	293172A1	2-19	
218622A1	2-25	22	281588A1	2-33	6	293173A1	2-19	
218623A1	2-25	23	281595A1	2-37	1	293174A1	3-11	
218627A1	2-35	3	281599A1	2-37	38	293176A1	2-25	17
218627A1	2-39	13	281604A1	2-41	8	293181A1	2-39	
218628A1	2-35	3	281623A1	2-29	5	293185A1	3-9	22
218628A1	2-39	13	281628A1	2-29	9	293186A1	3-9	23
218629A1	2-35	3	281629A1	2-29	11	293187A1	3-9	24
218629A1	2-39	13	281632A1	2-25	25	293189A1	2-33	1
218630A1	2-35	3	281652A1	4-15	14	293191A1	2-13	19
218630A1	2-39	13	281653A1	2-23	42	293202A1	2-39	
218651A1	2-25	26	281653A1	4-15	16	293203A1	2-19	
218651A1	2-31	3	282124A1	3-13	32	293204A1	2-19	
218651A1	2-31	9	282125A1	3-13	31	293493A1	2-39	12
218652A1	2-25	27	282126A1	3-15	9	293497A1	3-13	13
218652A1	2-31	11	285433A1	2-13	14	293504A1	3-13	8
218655A1	2-17	28	285436A1	2-31	22	293506A1	2-21	27
218655A1	2-29	12	285475A1	4-15	8	293507A1	3-13	6
218667A1	2-37	35	285504A1	2-17	14	293508A1	3-13	7
218680A1	3-11	4	285507A1	3-17	3	293511A1	3-13	
218680A1	3-11	8	286044A1	2-29		293512A1	3-13	
218683A1	3-11	13	291951A1	2-25	11	293513A1	3-13	
218719A1	2-31	2	291952A1	2-25	13	293514A1	2-21	29
218770A1	2-15	4	291952A1	2-29	18	293517A1	2-13	30
219-1	9-15	29	291953A1	2-25	29	293671A1	3-15	
219-1	9-17	5	291954A1	2-25	35	293673A1	3-15	2
219-1	9-19	21	291955A1	2-21	2	293674A1	3-15	3
219-1	9-21	18	291955A1	2-25	1	293766A1	2-17	17
219-1	9-25	11	291958A1	2-21	24	295829A1	2-17	27
219-1	9-29	3	291962A1	2-19	21	295962A1	2-17	13
219-1	9-31	19	291968A1	2-37	2	295973A1	3-9	32
219-1	9-35	26	291969A1	2-37	44	295973A1	3-11	32

CLICK HERE TO **DOWNLOAD** THE COMPLETE MANUAL

- Thank you very much for reading the preview of the manual.
- You can download the complete manual from: [www.heydownloads.com](http://www.heydownloads.com) by clicking the link below



- Please note: If there is no response to CLICKING the link, please download this PDF first and then click on it.

CLICK HERE TO **DOWNLOAD** THE COMPLETE MANUAL