

All rights reserved by **CNHi**.

The information contained in this catalogue is intended to be of a general nature only. **CNHi** may at any time and from time to time, for technical or other necessary reasons, modify any of the details or specifications of the product described in this catalogue.

To be sure of getting accurate, detailed and up-to-date information, an intending buyer should consult his nearest **CNHi** dealer or distributor.

Single item numeration method used in this catalogue may not be used without written consent from **CNHi**.

CLICK HERE TO **DOWNLOAD** THE COMPLETE MANUAL

- Thank you very much for reading the preview of the manual.
- You can download the complete manual from: [www.heydownloads.com](http://www.heydownloads.com) by clicking the link below



- Please note: If there is no response to **CLICKING** the link, please download this PDF first and then click on it.

CLICK HERE TO **DOWNLOAD** THE COMPLETE MANUAL

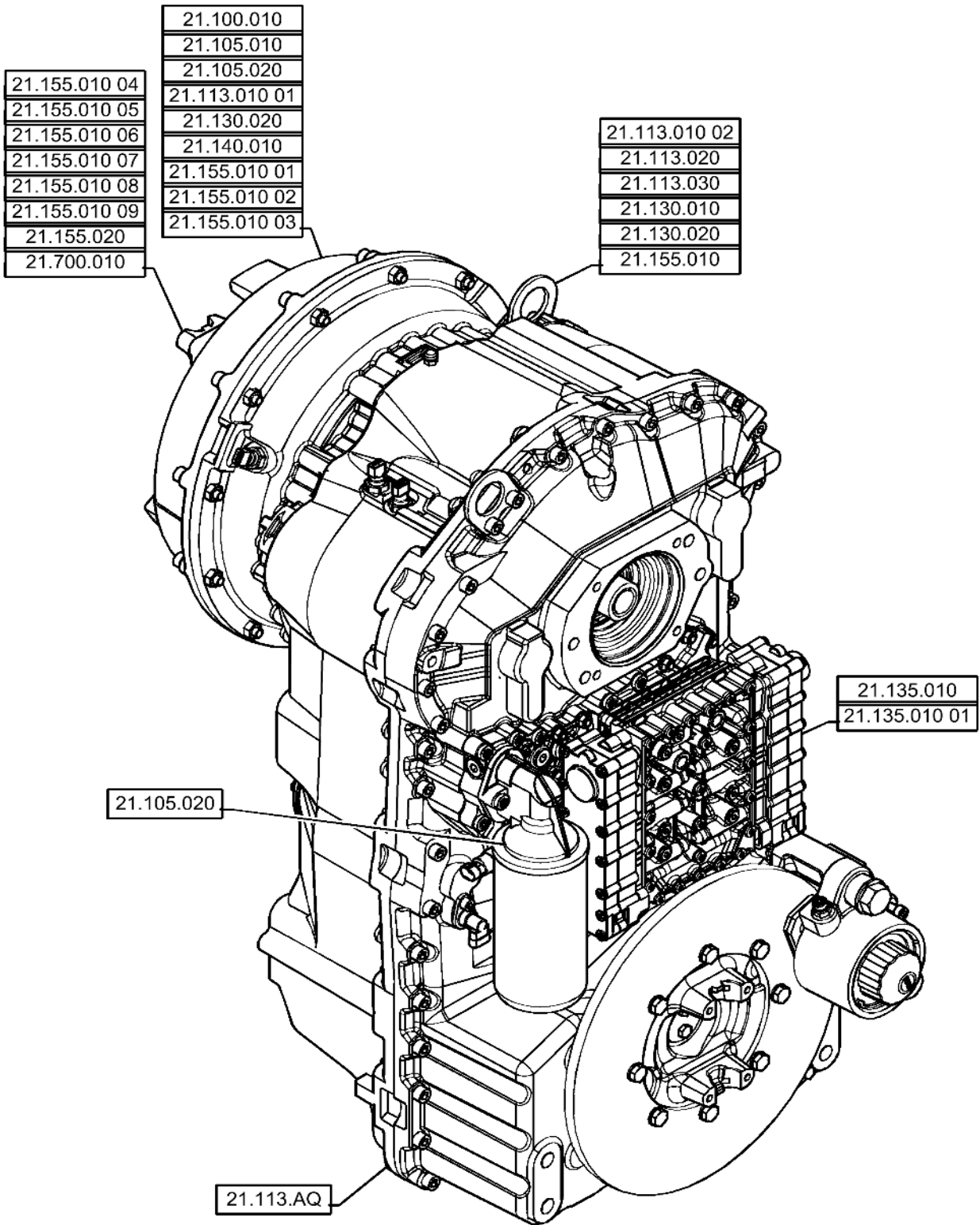
---

## TABLE OF CONTENTS

---

55.530.010		REAR VIEW CAMERA
55.988.010		SCR HARNESS INSTALLATION
55.990.010	01	HOOD HARNESS INSTALLATION
55.990.010	02	HOOD HARNESS ASSEMBLY
55.991.010	01	VAR - 424233 - TELEMATIC SYSTEM
82.000.00	01	PICTORIAL INDEX - BUCKET
82.100.010		VAR - 782537 - LIFT ARM PIN XT/TC
82.100.020		VAR - 782537, 782851 - LIFT ARM PIN, Z BAR LIFT ARM AND XR/LR
82.100.040		VAR - 734006, 734008, 734009 - ACS QUICK COUPLER
82.100.050		VAR - 734006, 734008, 734009 - ACS QUICK COUPLER, XT/TC
82.100.060		VAR - 482047, 424917, 424248 - CNH QUICK COUPLER, XT/TC
82.100.070		VAR - 482047, 424917, 424248 - CNH QUICK COUPLER, Z-BAR, XR
82.100.080		VAR - 424918 - GRAPPLE BUCKET HYDRAULIC LINES
82.300.010		VAR - 424915 - BUCKET, 2.75 CU YD
82.300.020		VAR - 482396 - BUCKET, 3.0 CU YD
82.300.030		VAR - 424918 - BUCKET, 3.0 CU YD WITH GRAPPLE
82.300.040		VAR - 424259 - BUCKET, 4.5 CU YD
82.300.050		VAR - 424914 - BUCKET, 2.5 CU YD
88.100.030		WHEEL CHOCKS
88.100.040		ACCESSORY MOUNTING POLE
88.100.060	01	VAR - 482140 - LICENSE PLATE HOLDER
88.100.070		VAR - 482140, 482946, 482949 482980, 482981- REAR LICENSE PLATE LAMP AND BRACKET
88.100.10	02	DIA KIT, DEF BLANKETS
88.100.33		DIA KIT, SECTION INDEX - BRAKES & CONTROLS
88.100.33	01	DIA KIT, RIGHT HAND BRAKE PEDAL
88.100.35		DIA KIT, SECTION INDEX - HYDRAULIC SYSTEMS
88.100.35	01	DIA KIT, 2 FUNCTION LEVER TO 3 FUNCTION LEVER CONVERSION KIT
88.100.35	02	FOURTH SPOOL CONVERSION KIT
88.100.35	03	DIA KIT, ACCESSORY LINE, Z - BAR
88.100.35	04	DIA KIT, ACCESSORY LINE, XT
88.100.35	05	DIA KIT, ACCESSORY LINE, XR
88.100.35	06	DIA KIT, VARIABLE SPEED REVERSIBLE FAN
88.100.35	07	DIA KIT, FIELD RIDE CONTROL CONVERSION
88.100.35	08	DIA KIT, 2 FUNCTION LEVER TO 3 FUNCTION LEVER CONVERSION KIT

PICTORIAL INDEX - TRANSMISSION



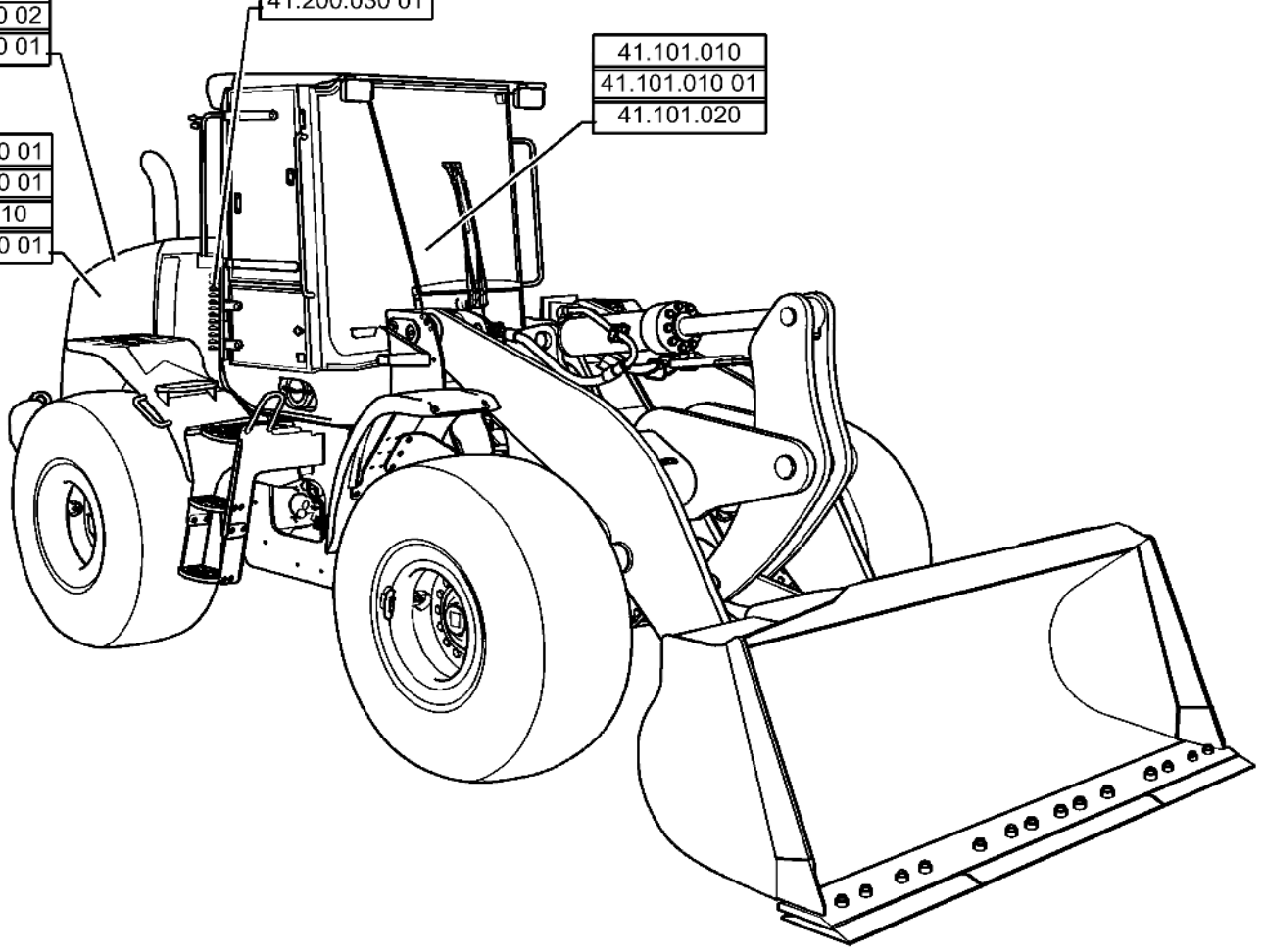
PICTORIAL INDEX - STEERING

41.200.030 02
41.200.040 01
41.200.050 01
41.200.050 02
41.200.060 01
41.200.060 02
41.200.070 01

41.200.080 01
41.206.010 01
41.216.010
41.216.020 01

41.106.010
41.200.010 01
41.200.020 01
41.200.030 01

41.101.010
41.101.010 01
41.101.020



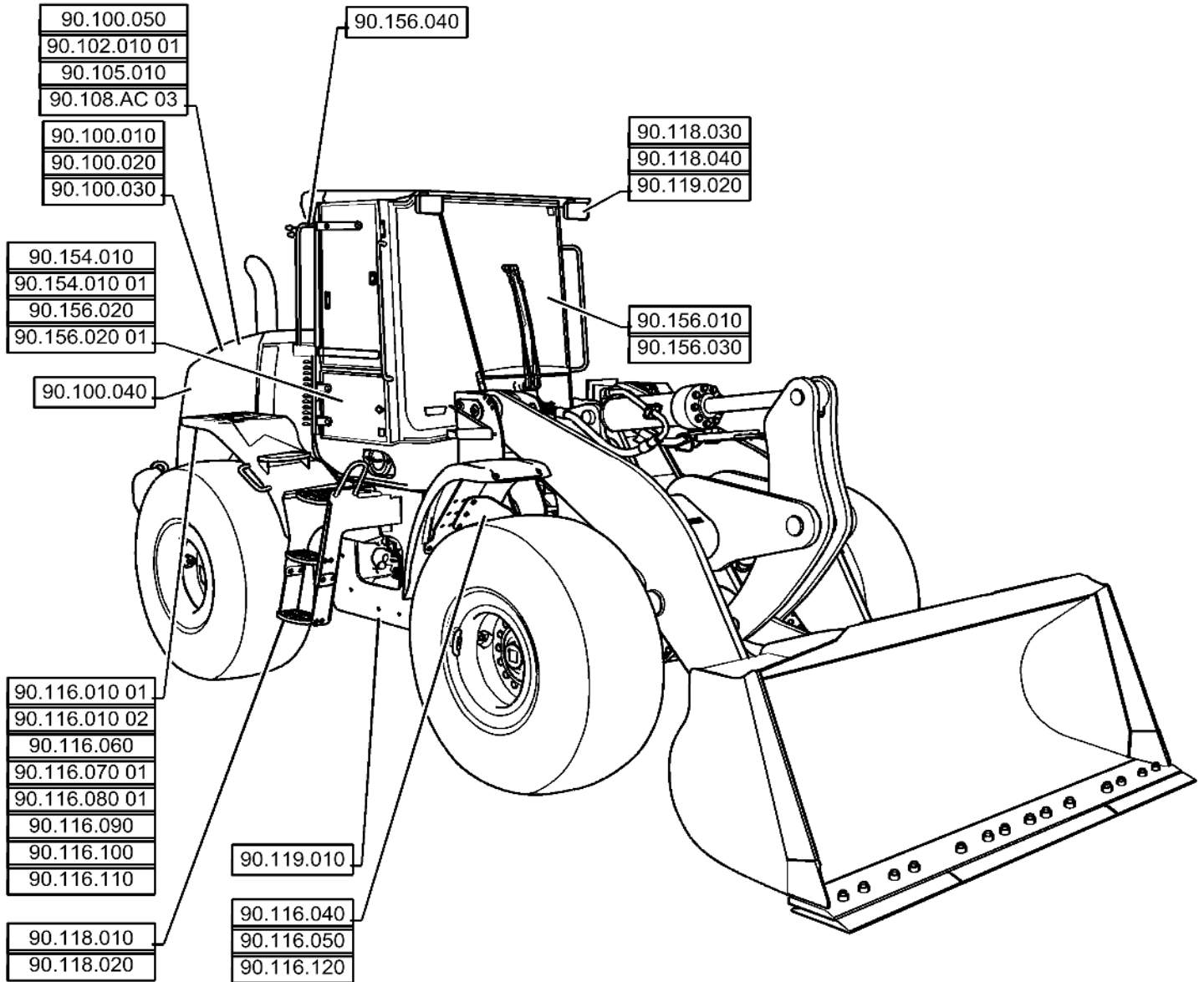
00.000.90

01

p1

6/2019

PICTORIAL INDEX - PLATFORM, CAB, BODYWORK AND DECALS



---

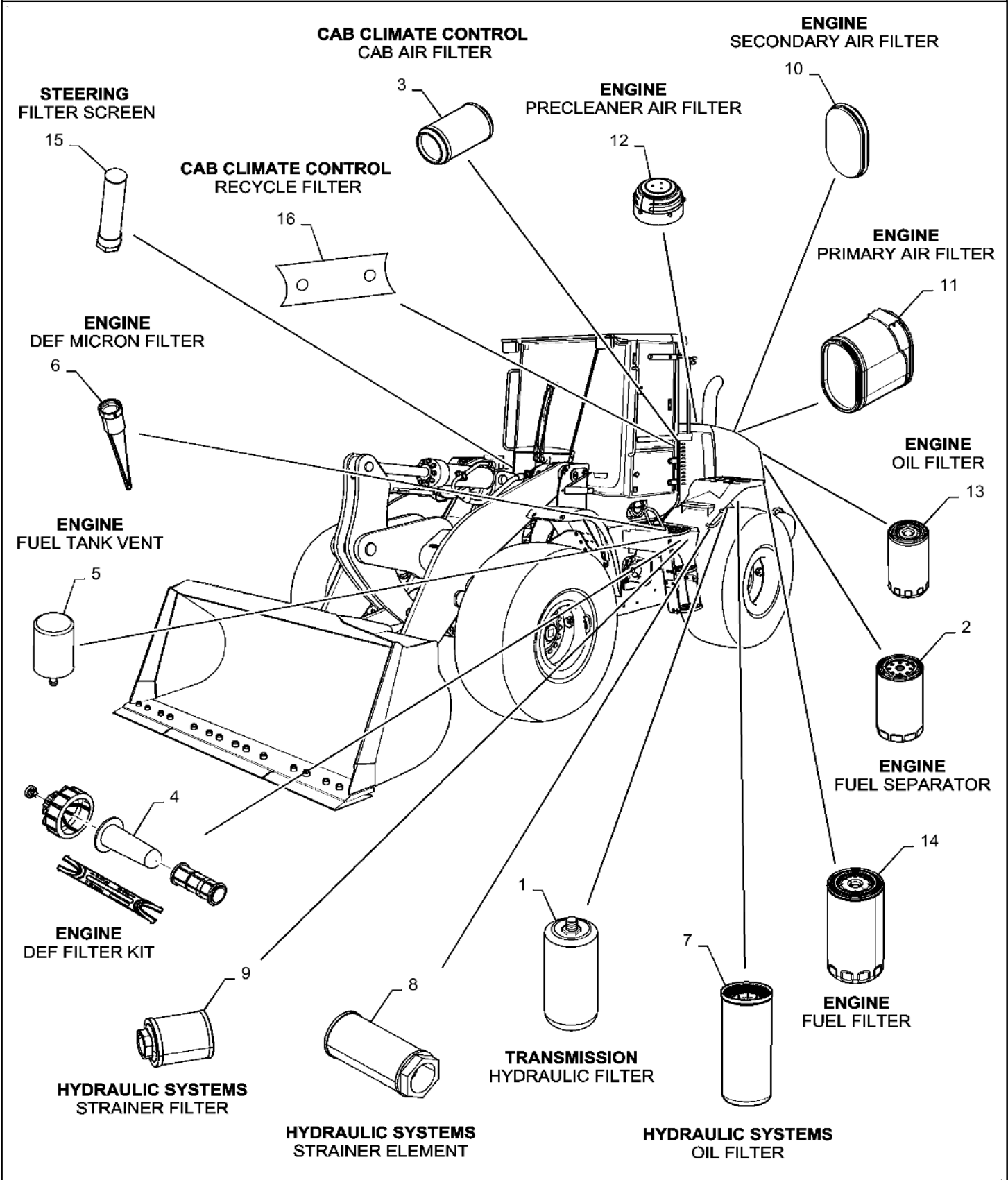
## SECTION INDEX

### SERVICE & MAINTENANCE

---

05.100.01	01	INITIAL STOCKING LIST (LIST A)
05.100.02	01	INITIAL STOCKING LIST (LIST B)
05.100.03		CAPACITIES
05.100.03	01	FILTERS
05.100.99		INITIAL STOCKING LIST (LIST C)

FILTERS



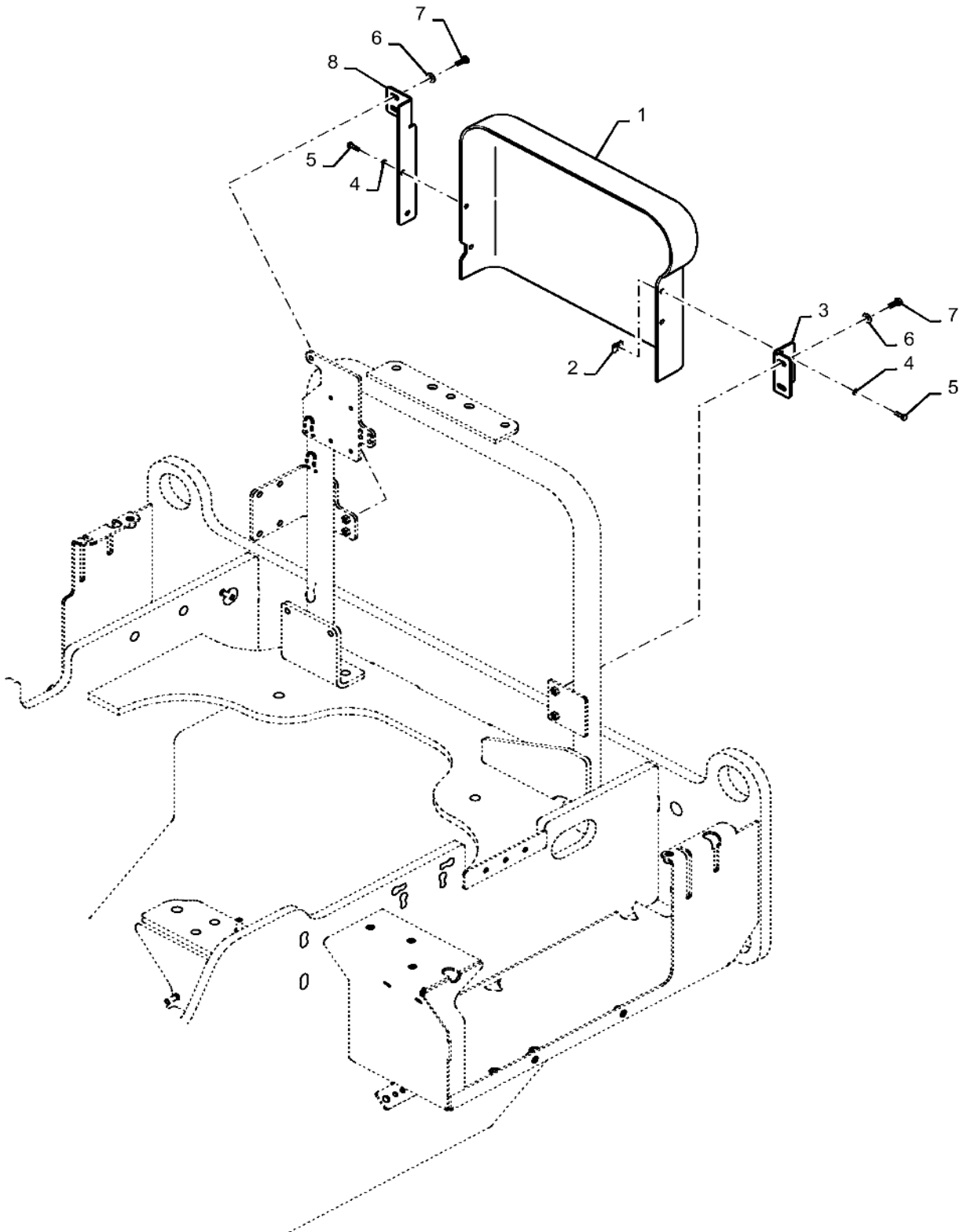
10.102.010

01

p1

6/2019

VAR - 782439 - DRIVE BELT COVER, W/O AIR CONDITIONING

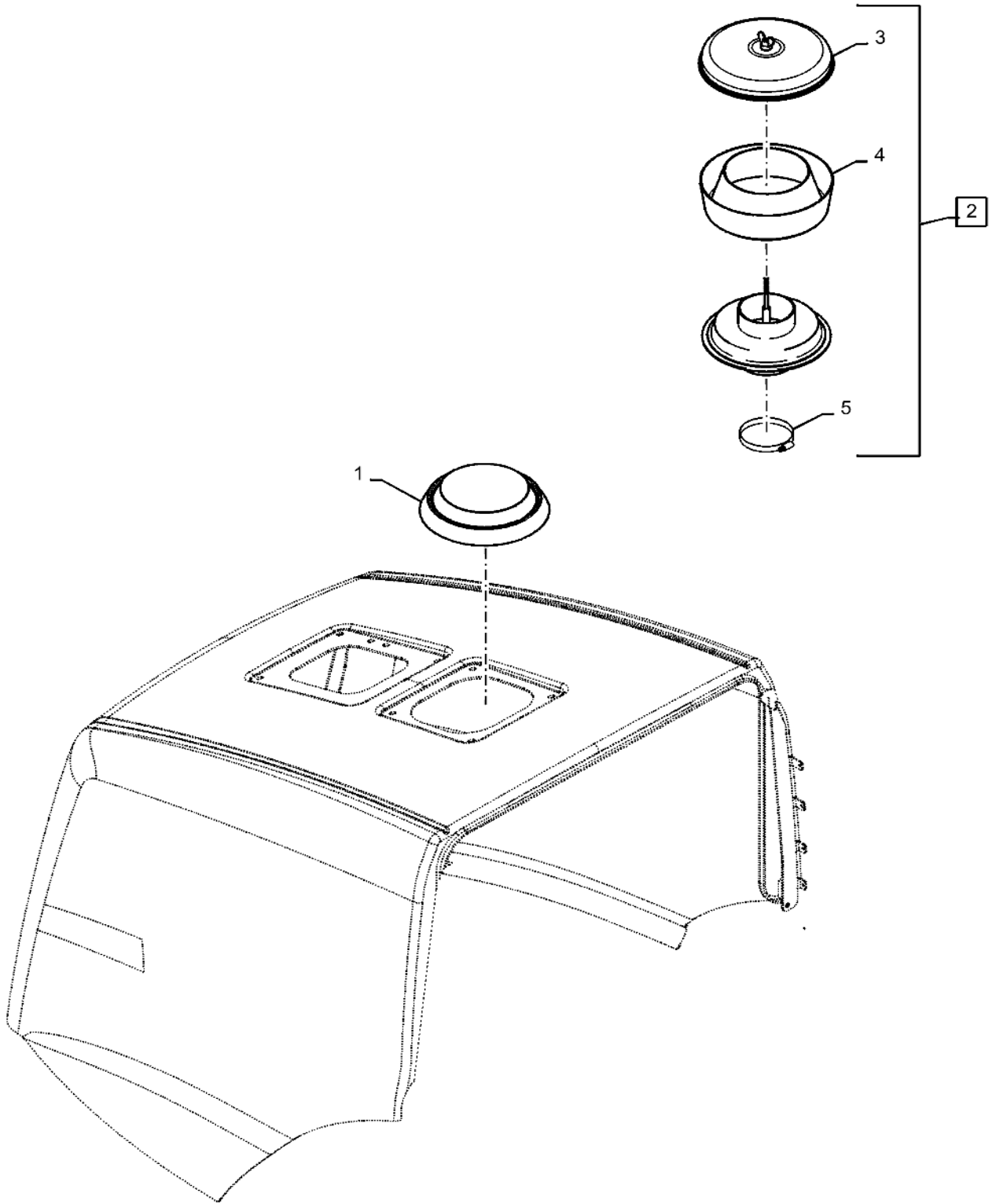


10.202.040

p1

6/2019

AIR PRE-CLEANER ASSEMBLY, RAIN CAP



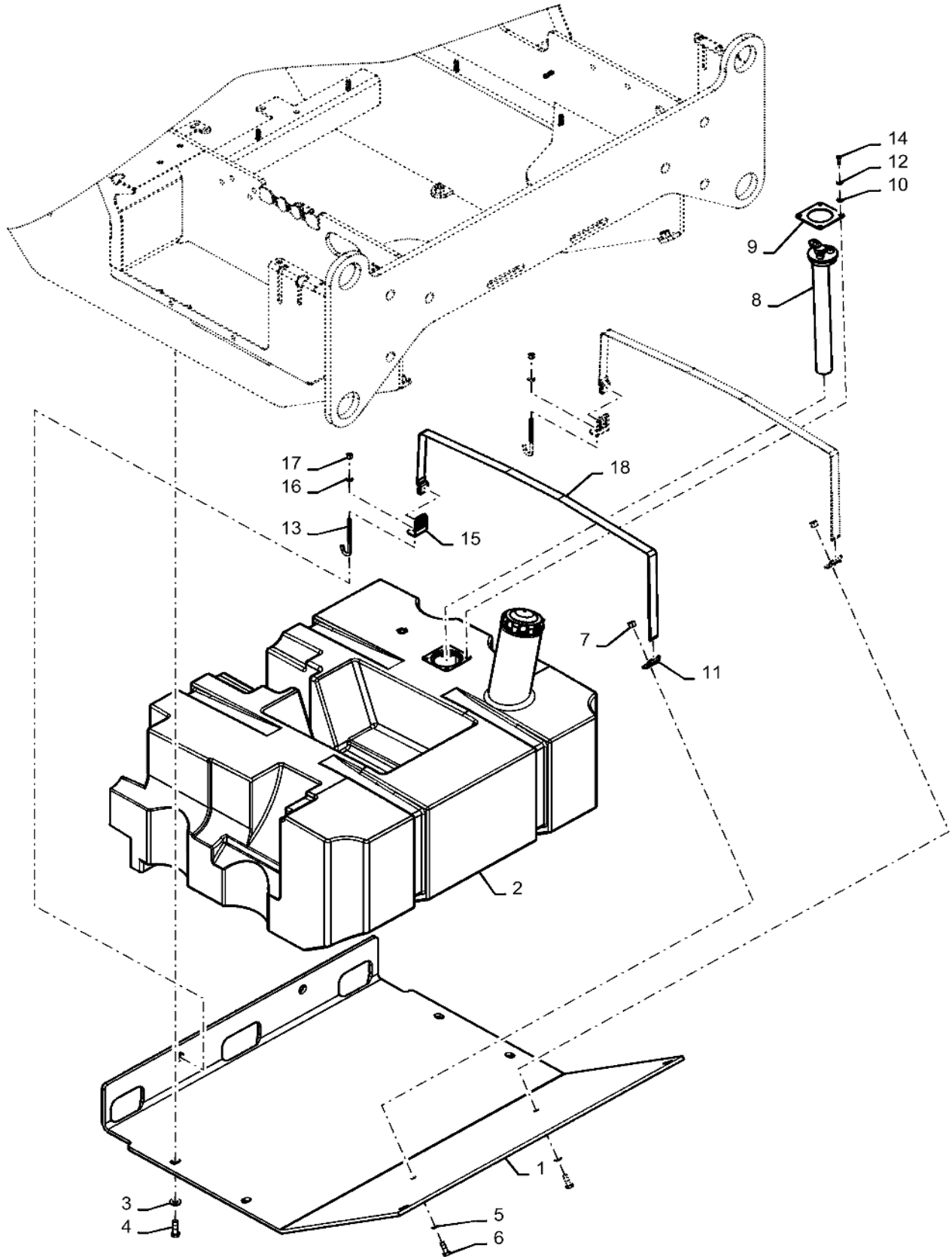
10.216.010

02

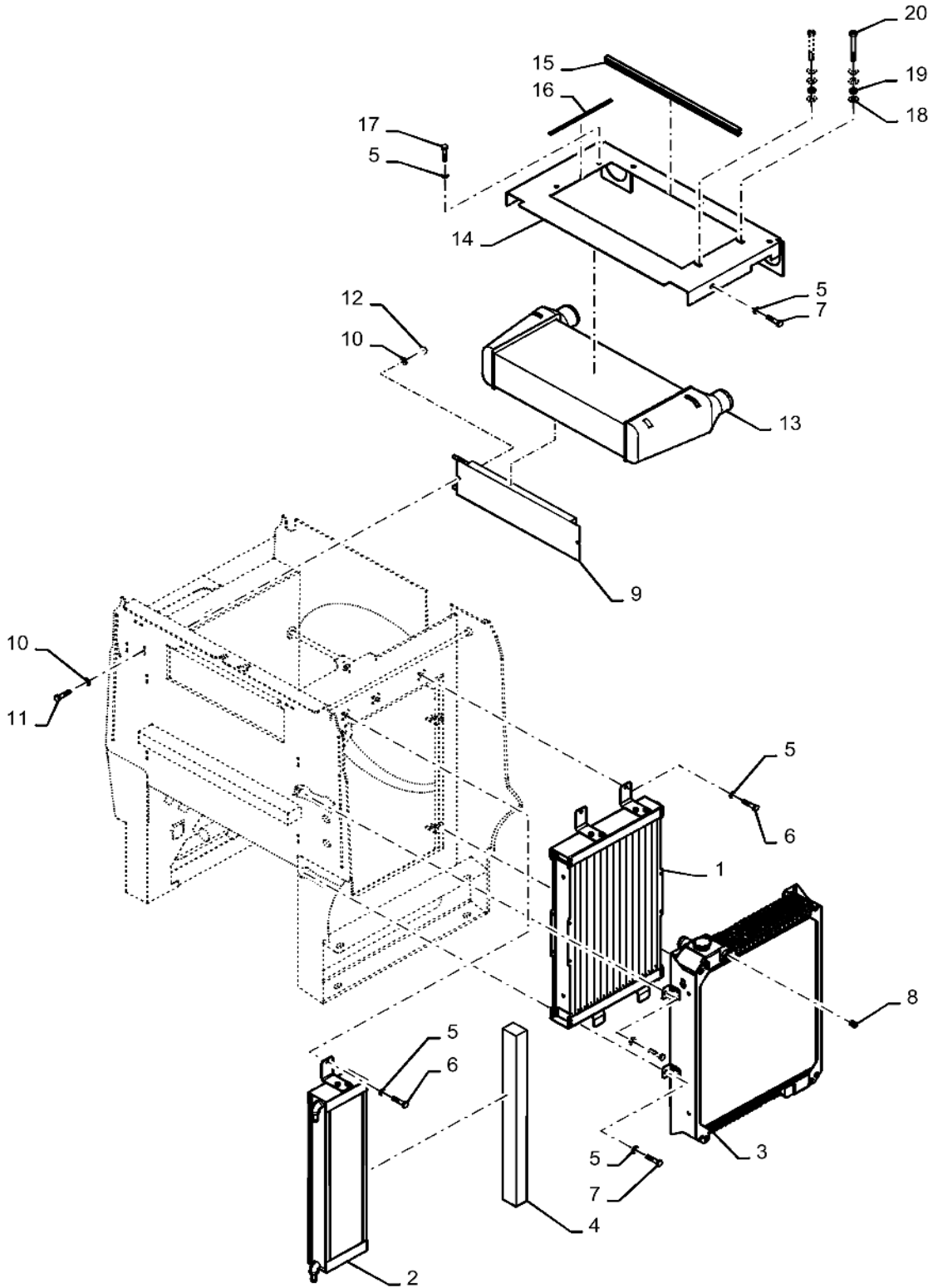
p1

6/2019

FUEL TANK



COOLER INSTALLATION, HEAVY DUTY



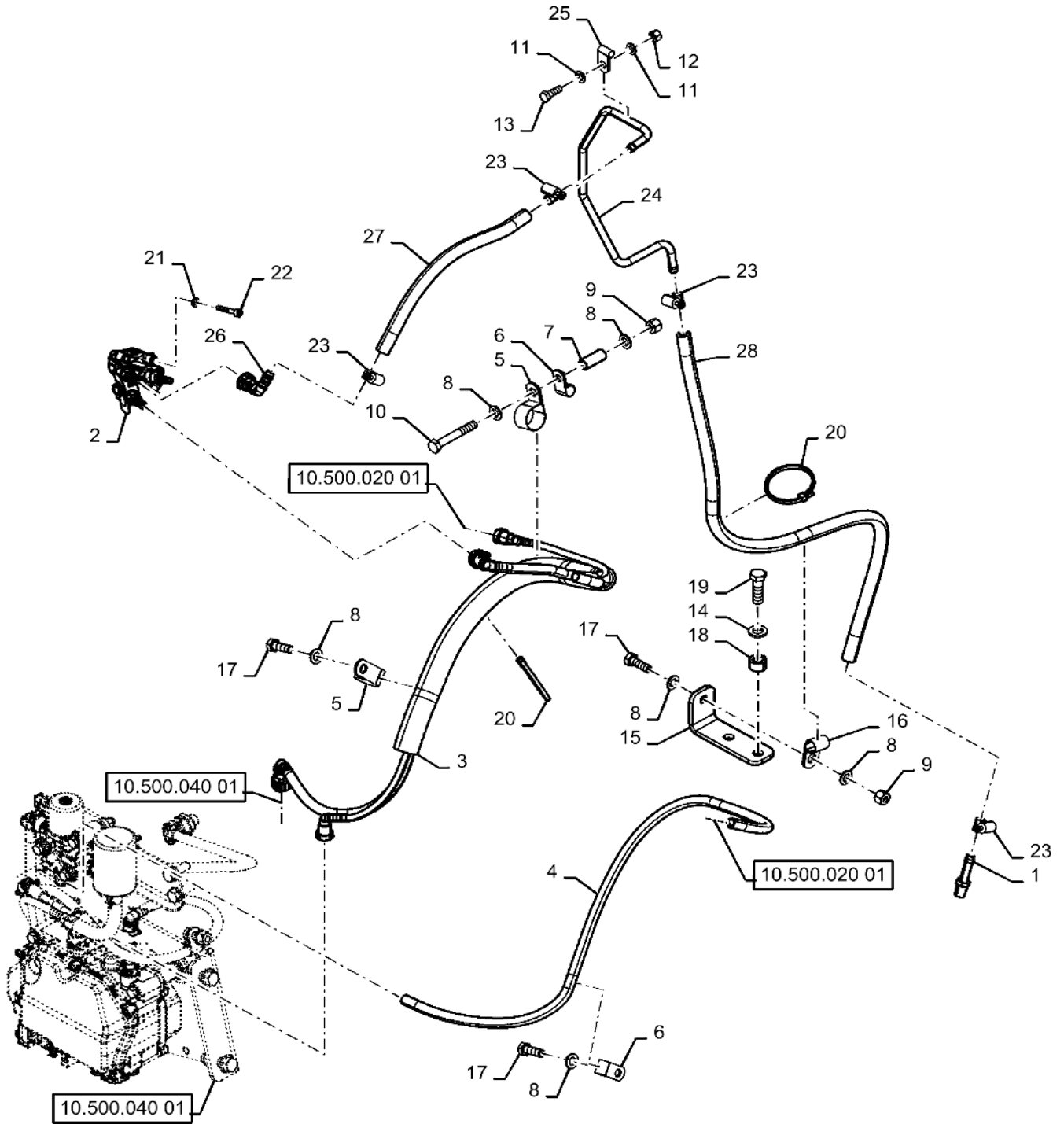
10.500.010

01

p1

6/2019

DEF/ADBLUE LINES



---

## SECTION INDEX

### TRANSMISSION

---

21.000.00		SECTION INDEX - TRANSMISSION
21.100.010		OIL PUMP AND REGULATOR VALVE
21.105.010		VAR - 424224 - TRANSMISSION HYDRAULIC LINES
21.105.020		TRANSMISSION, FILTER AND FILL COVERS
21.113.010	01	INPUT SHAFT INSTALLATION
21.113.010	02	DRIVE SHAFT INSTALLATION
21.113.020		VAR - 424224 - TRANSMISSION INSTALLATION
21.113.030		TRANSMISSION HOUSING, 4 SPEED
21.113.040		OIL FILL & DIPSTICK
21.130.010		TEMPERATURE SENDER, PUMP COVER, SPEED SENSOR, 4 SPEED
21.130.010		TEMPERATURE SENDER, PUMP COVER, SPEED SENSOR, 5 SPEED
21.130.020		TRANSMISSION CONTROLLER INSTALLATION, 5 SPEED
21.130.020		VAR - 402052, 482918 - 4 SPEED CONTROLLER INSTALLATION
21.135.010		MANIFOLD CONTROL VALVE
21.135.010	01	TRANSMISSION CONTROL VALVE
21.140.010		VAR - 424224 - PTO SHAFT ASSEMBLY, 4 SPEED
21.140.010		VAR - 424224 - PTO SHAFT ASSEMBLY, 5 SPEED
21.155.010		INPUT SHAFT, ENGINE
21.155.010	01	DRIVE SHAFT, REAR
21.155.010	02	DRIVE SHAFT, CENTER
21.155.010	03	DRIVE SHAFT, FRONT
21.155.010	04	VAR - 424224 - 1ST GEAR CLUTCH ASSEMBLY, 4 SPEED
21.155.010	04	VAR - 424224 - 1ST GEAR CLUTCH ASSEMBLY, 5 SPEED
21.155.010	05	2ND GEAR CLUTCH ASSEMBLY, 4 SPEED
21.155.010	05	2ND GEAR CLUTCH ASSEMBLY, 5 SPEED
21.155.010	06	VAR - 424224 - 3RD GEAR CLUTCH ASSEMBLY, 4 SPEED
21.155.010	06	VAR - 424224 - 3RD GEAR CLUTCH ASSEMBLY, 5 SPEED
21.155.010	07	4TH GEAR CLUTCH ASSEMBLY, 5 SPEED
21.155.010	07	VAR - 424224 - 4TH GEAR CLUTCH ASSEMBLY, 4 SPEED
21.155.010	08	VAR - 424224 - FORWARD CLUTCH ASSEMBLY
21.155.010	09	VAR - 424224 - REVERSE CLUTCH ASSEMBLY
21.155.020		VAR - 424224 - OUTPUT SHAFT ASSEMBLY, 4 SPEED
21.155.020		VAR - 424224 - OUTPUT SHAFT ASSEMBLY, 5 SPEED

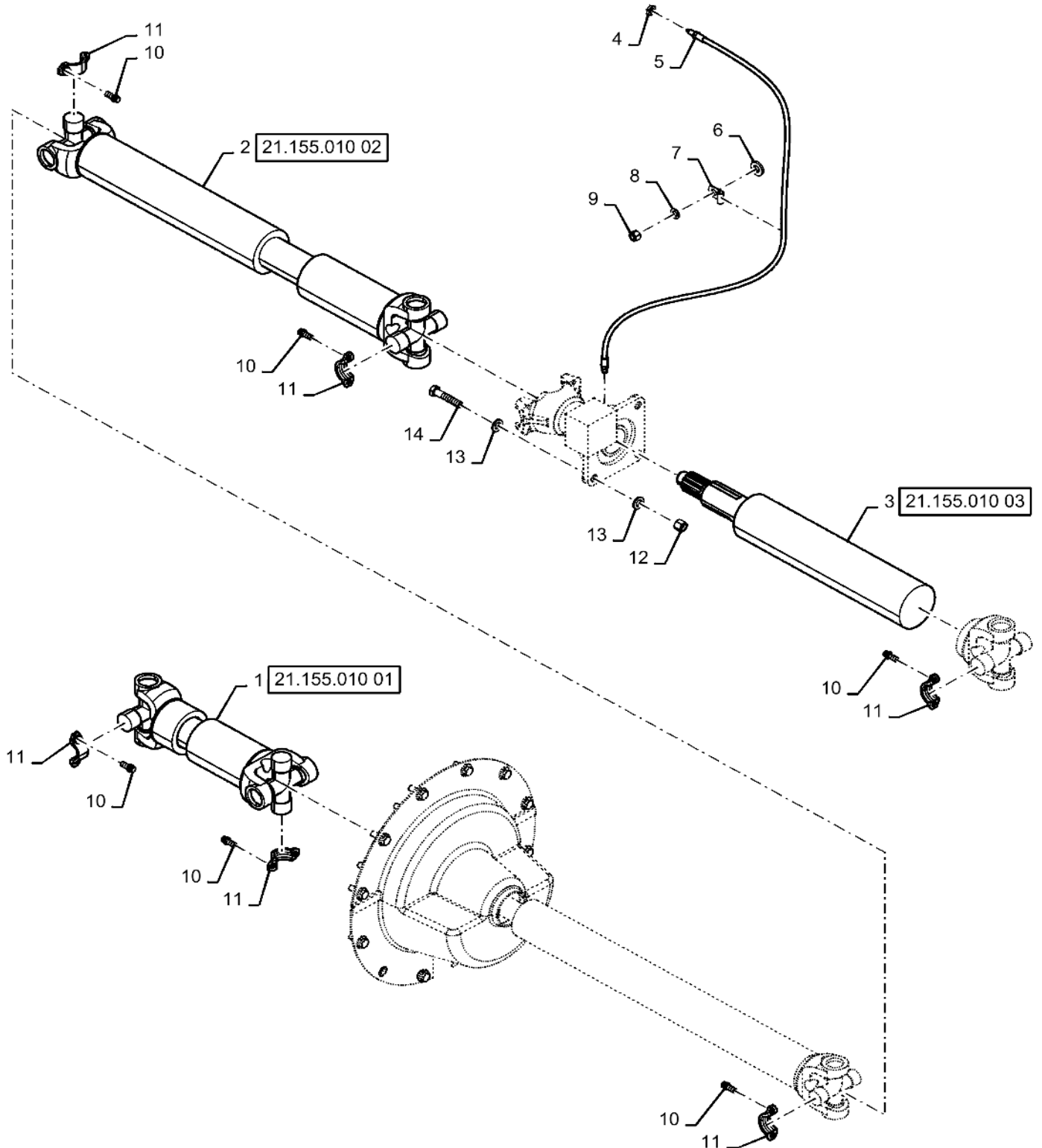
21.113.010

02

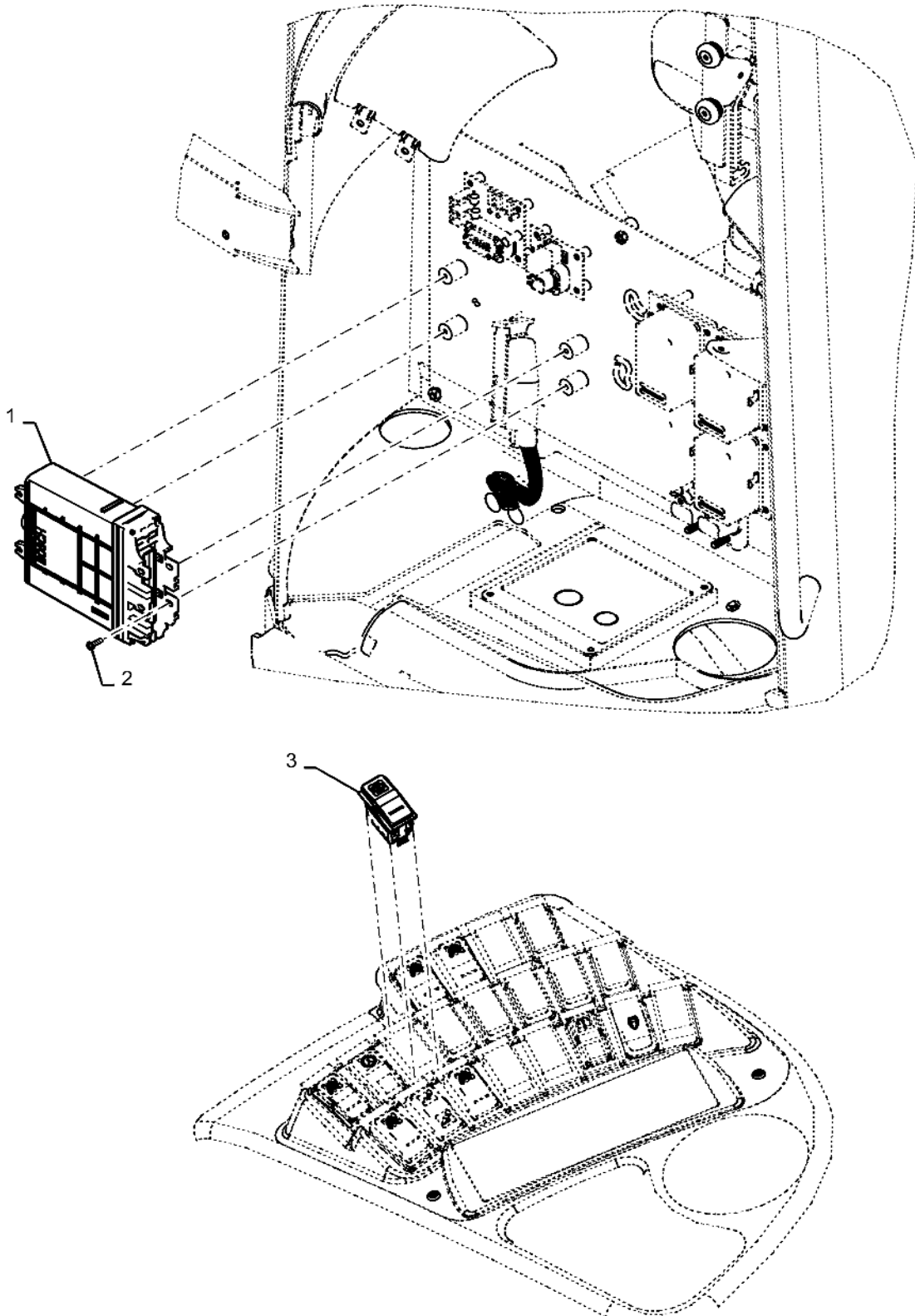
p1

6/2019

DRIVE SHAFT INSTALLATION



TRANSMISSION CONTROLLER INSTALLATION, 5 SPEED

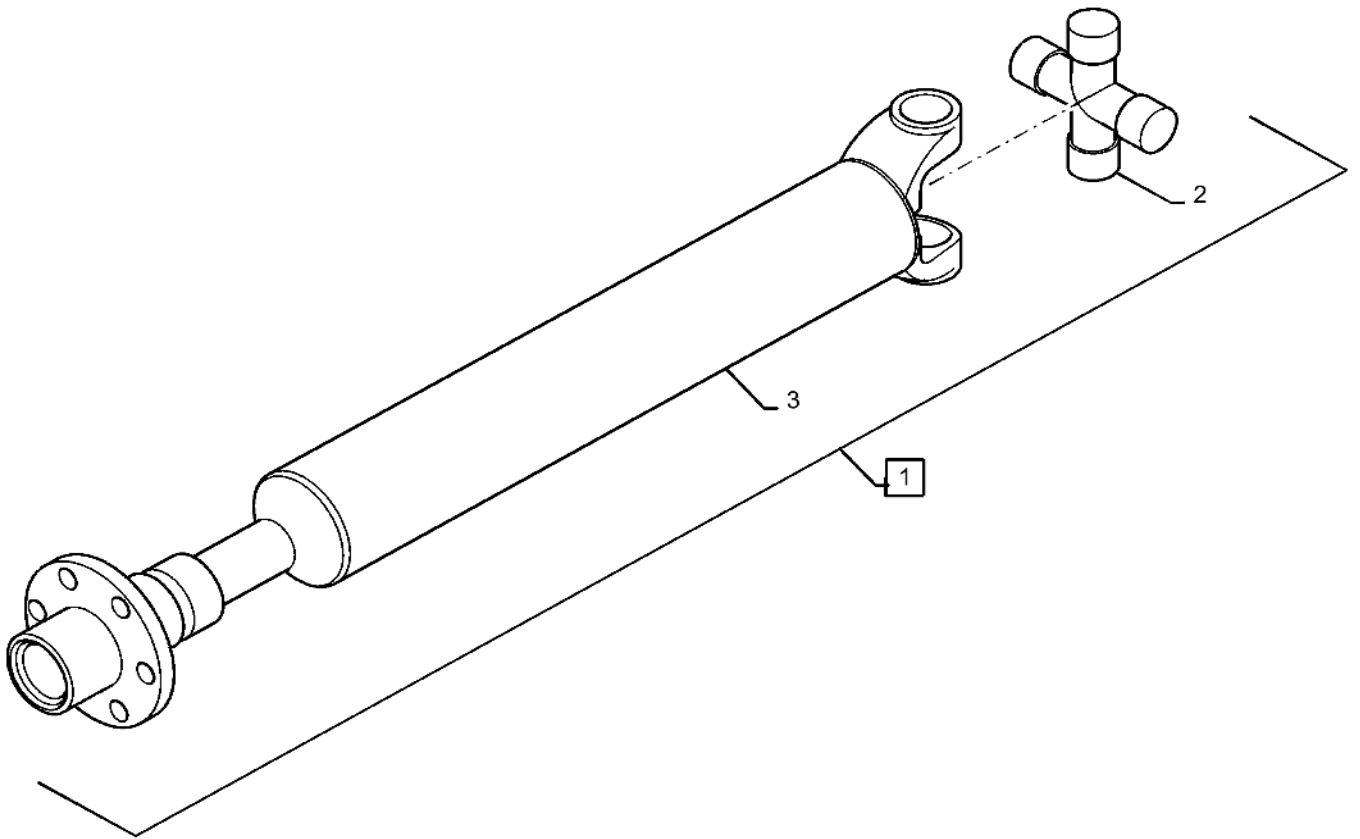


**21.155.010**

p1

6/2019

INPUT SHAFT, ENGINE



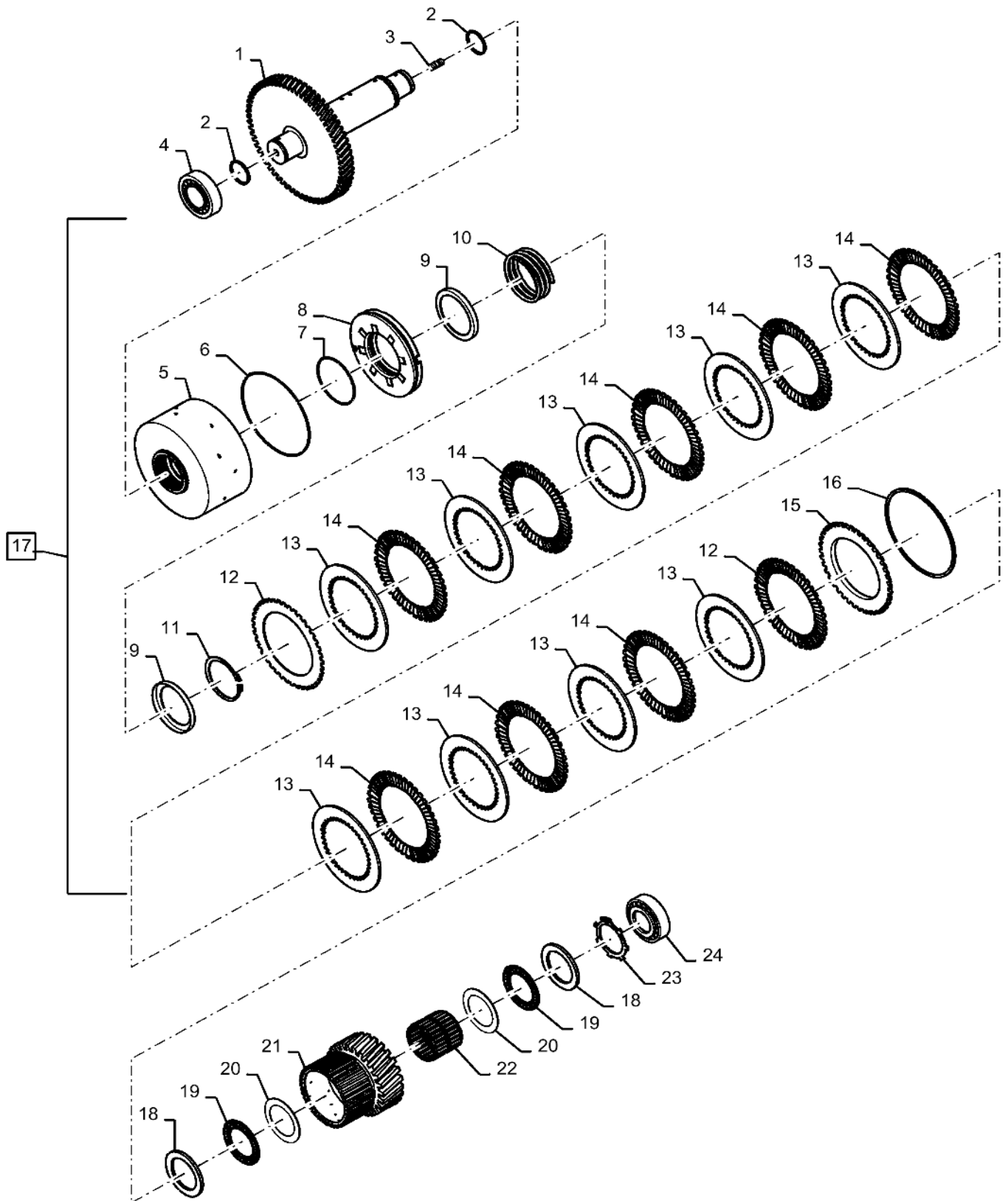
21.155.010

04

p1

6/2019

VAR - 424224 - 1ST GEAR CLUTCH ASSEMBLY, 5 SPEED



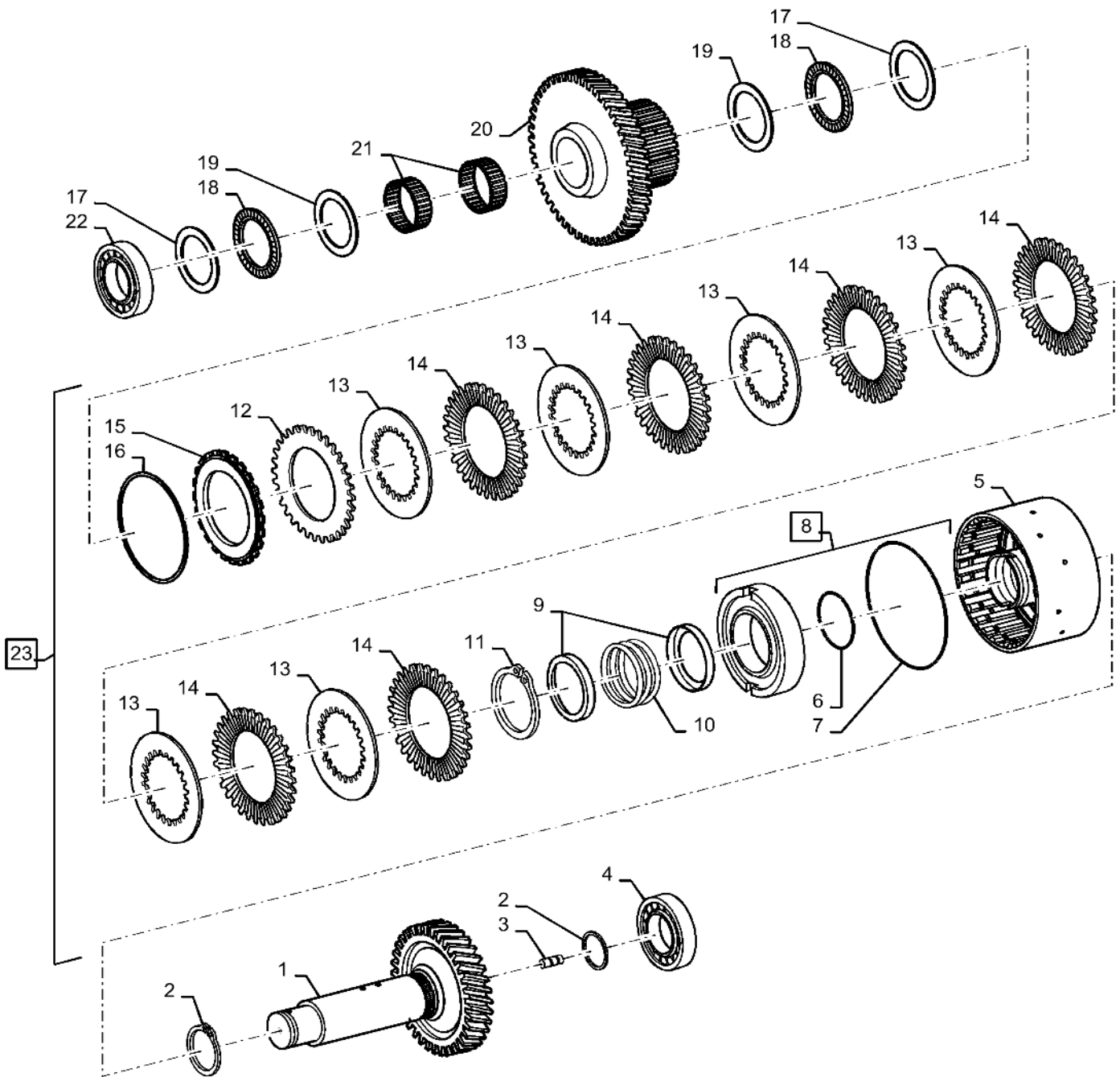
21.155.010

06

p1

6/2019

VAR - 424224 - 3RD GEAR CLUTCH ASSEMBLY, 4 SPEED



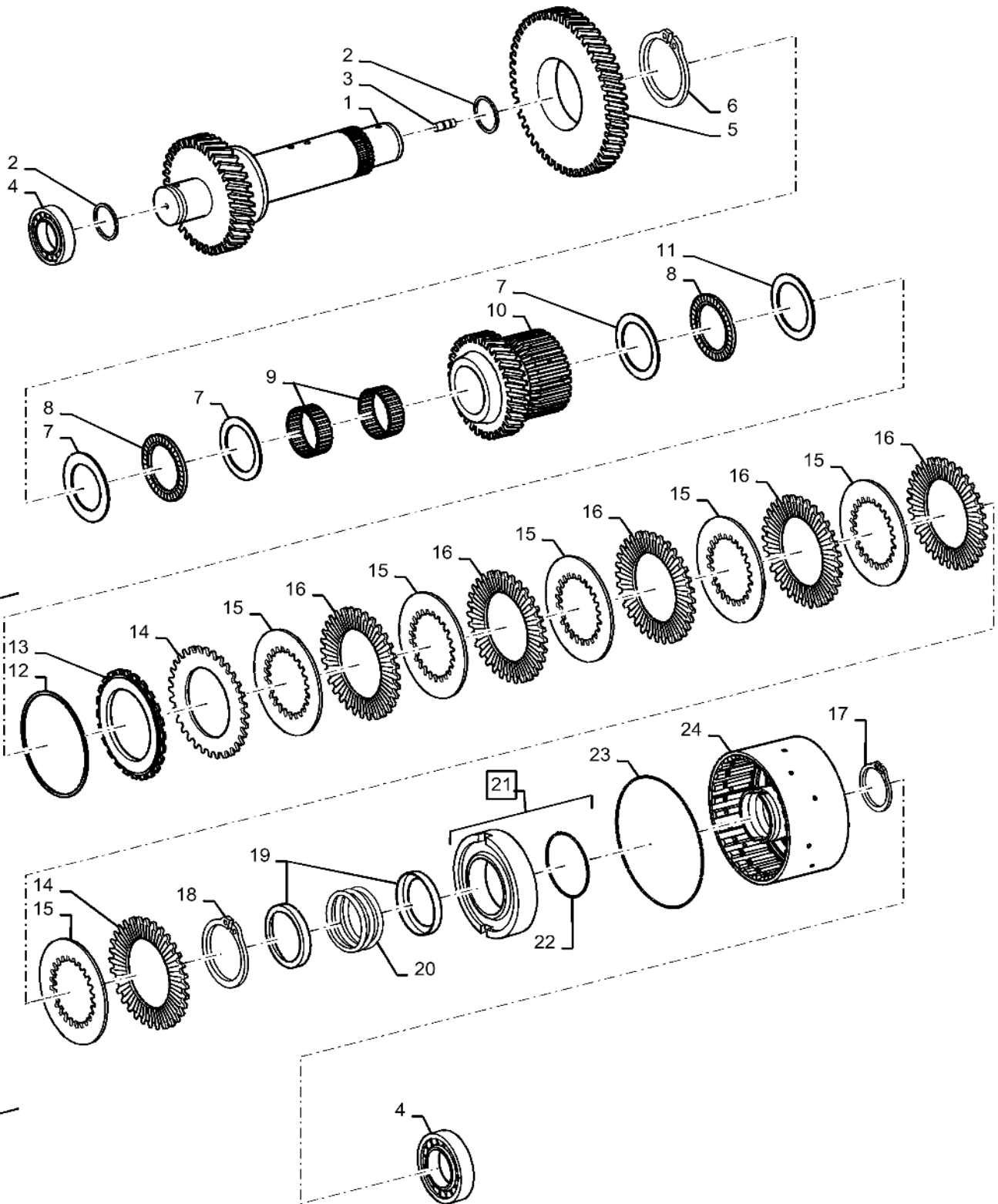
21.155.010

07

p1

6/2019

VAR - 424224 - 4TH GEAR CLUTCH ASSEMBLY, 4 SPEED

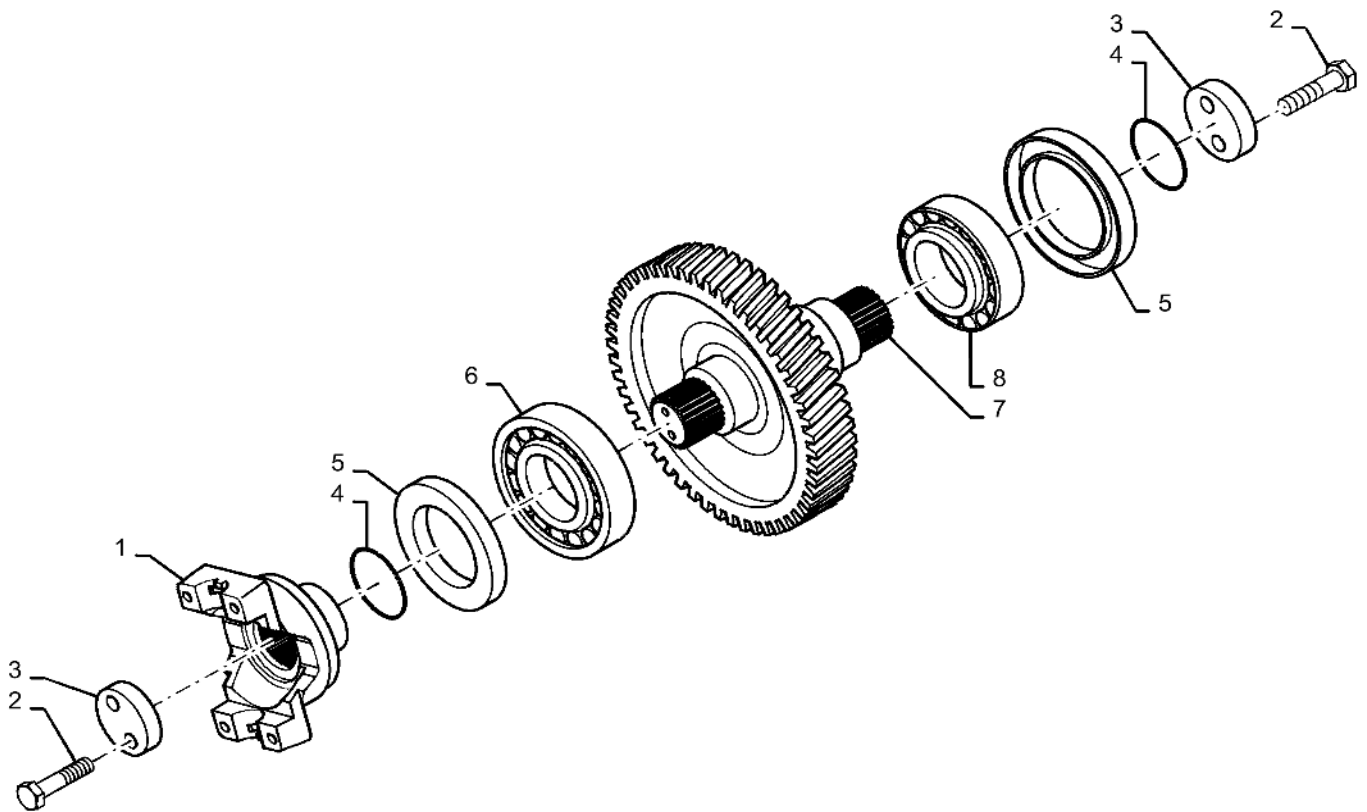


21.155.020

p1

6/2019

VAR - 424224 - OUTPUT SHAFT ASSEMBLY, 4 SPEED

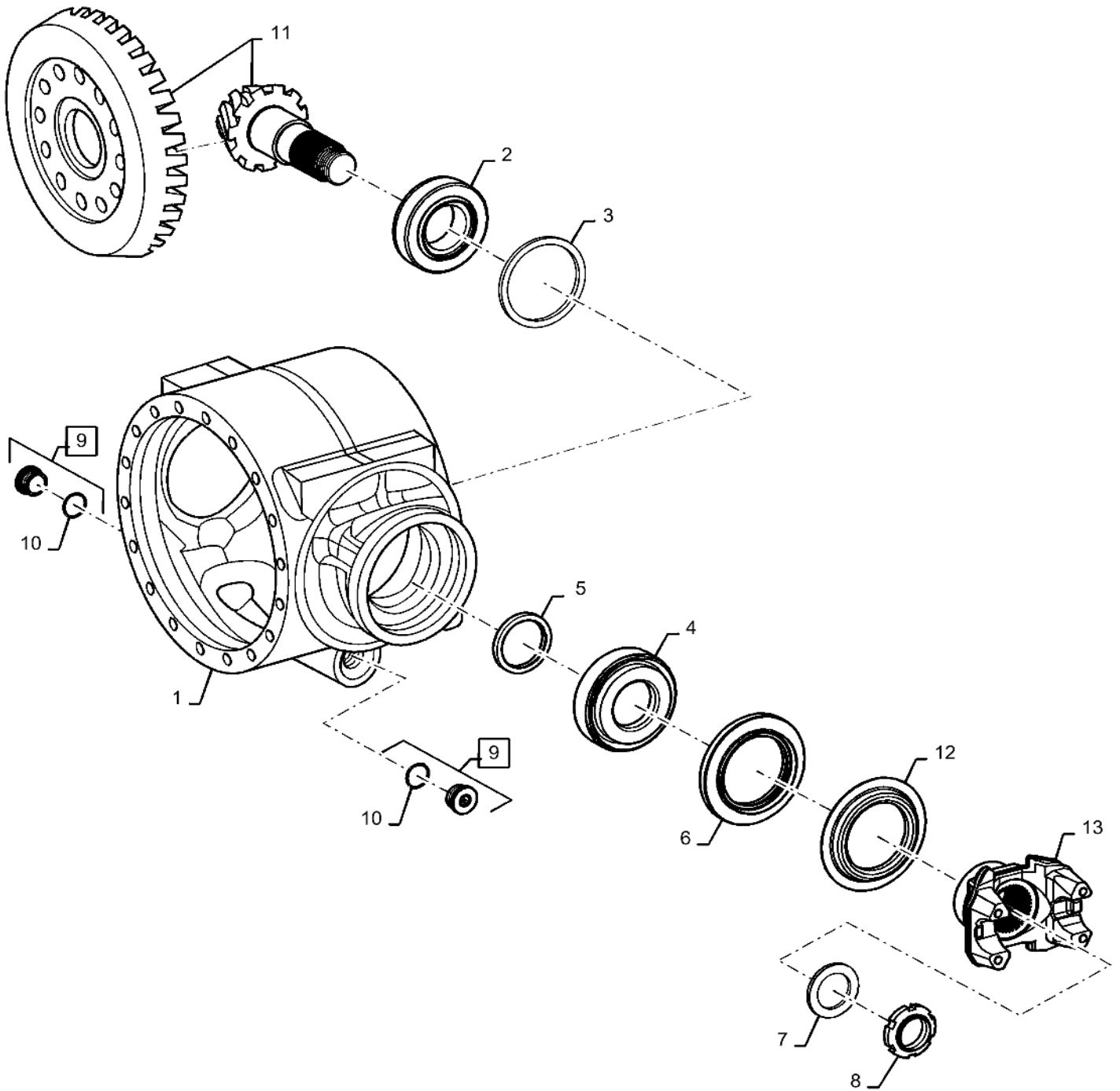


25.100.010

p1

6/2019

VAR - 782122, 424235 - AXLE HOUSING AND DRIVE, STANDARD AND HEAVY DUTY





---

## SECTION INDEX

### REAR AXLE SYSTEM

---

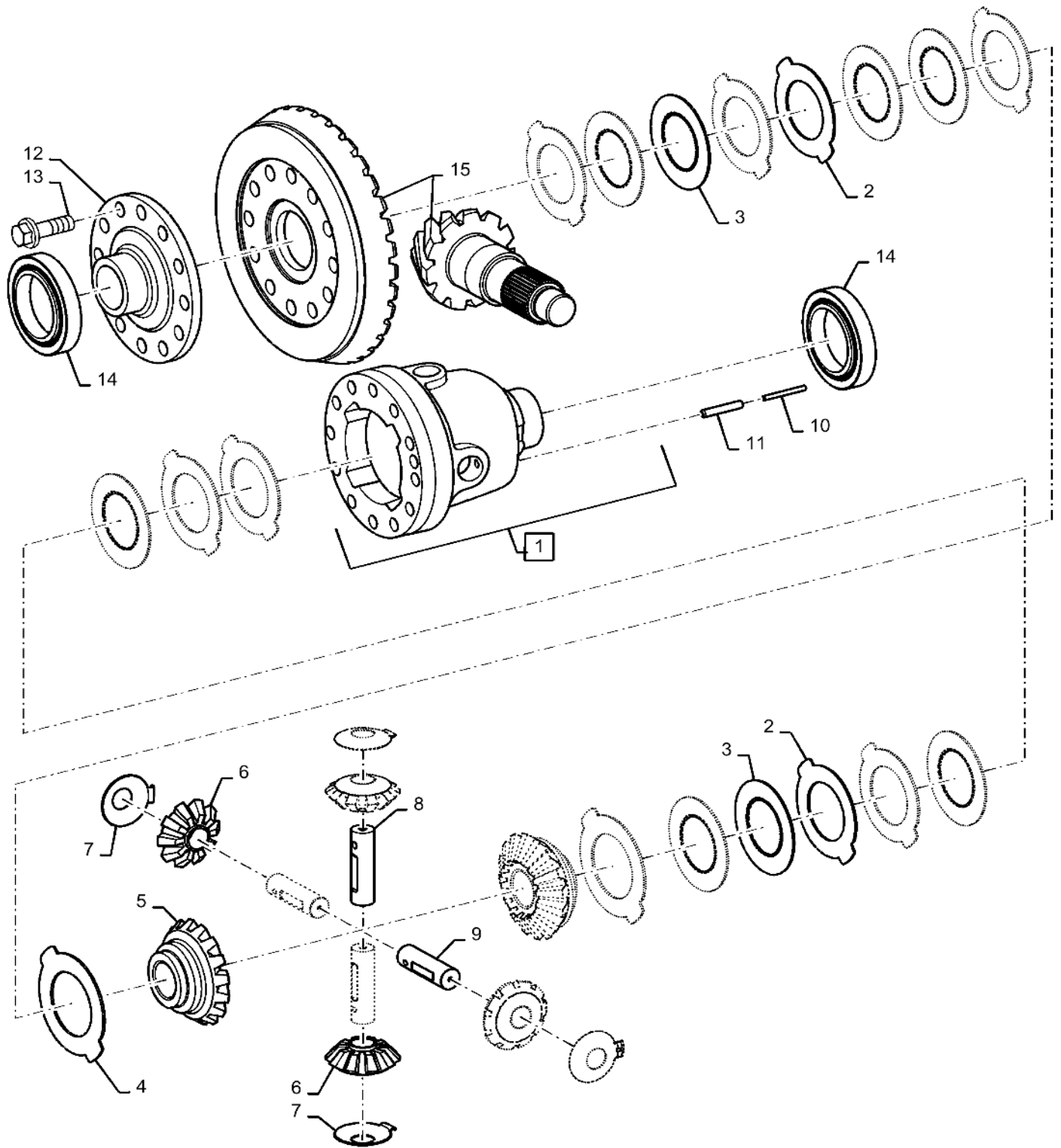
27.000.00	01	SECTION INDEX - REAR AXLE SYSTEM
27.100.010		VAR - 782122, 424235 - REAR AXLE ASSEMBLY, STANDARD AND HEAVY DUTY
27.100.020		REAR AXLE STOP, 8 DEG
27.106.010		VAR - 782122, 424235 - AXLE HOUSING AND DRIVE
27.106.020		VAR - 782122 - DIFFERENTIAL ASSEMBLY, STANDARD
27.106.030		VAR - 424235 - DIFFERENTIAL ASSEMBLY, HEAVY DUTY
27.120.010		VAR - 782122 - FINAL DRIVE ASSEMBLY, STANDARD
27.120.020		VAR - 424235 - FINAL DRIVE ASSEMBLY, HEAVY DUTY

27.106.020

p1

6/2019

VAR - 782122 - DIFFERENTIAL ASSEMBLY, STANDARD

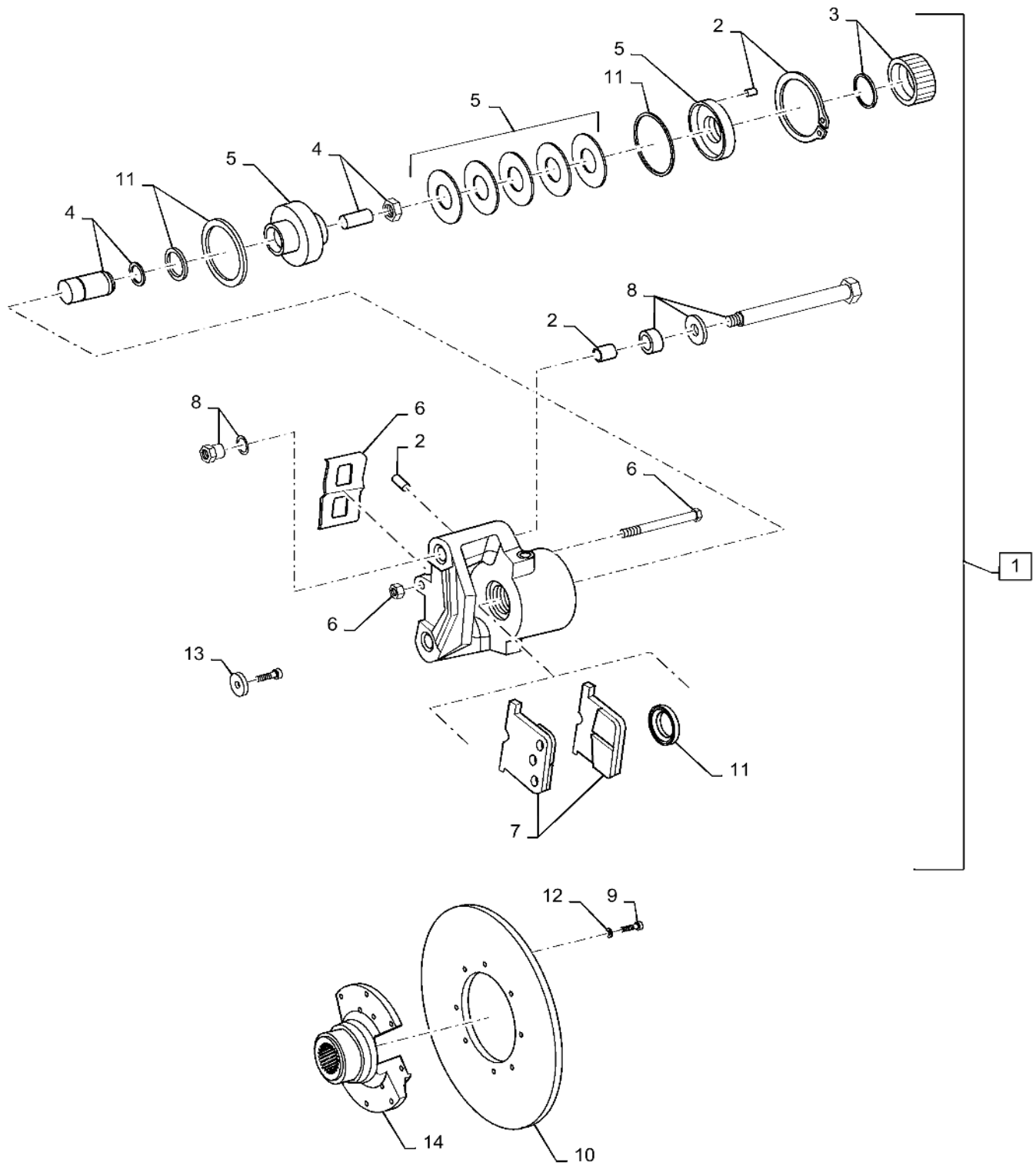


33.110.010

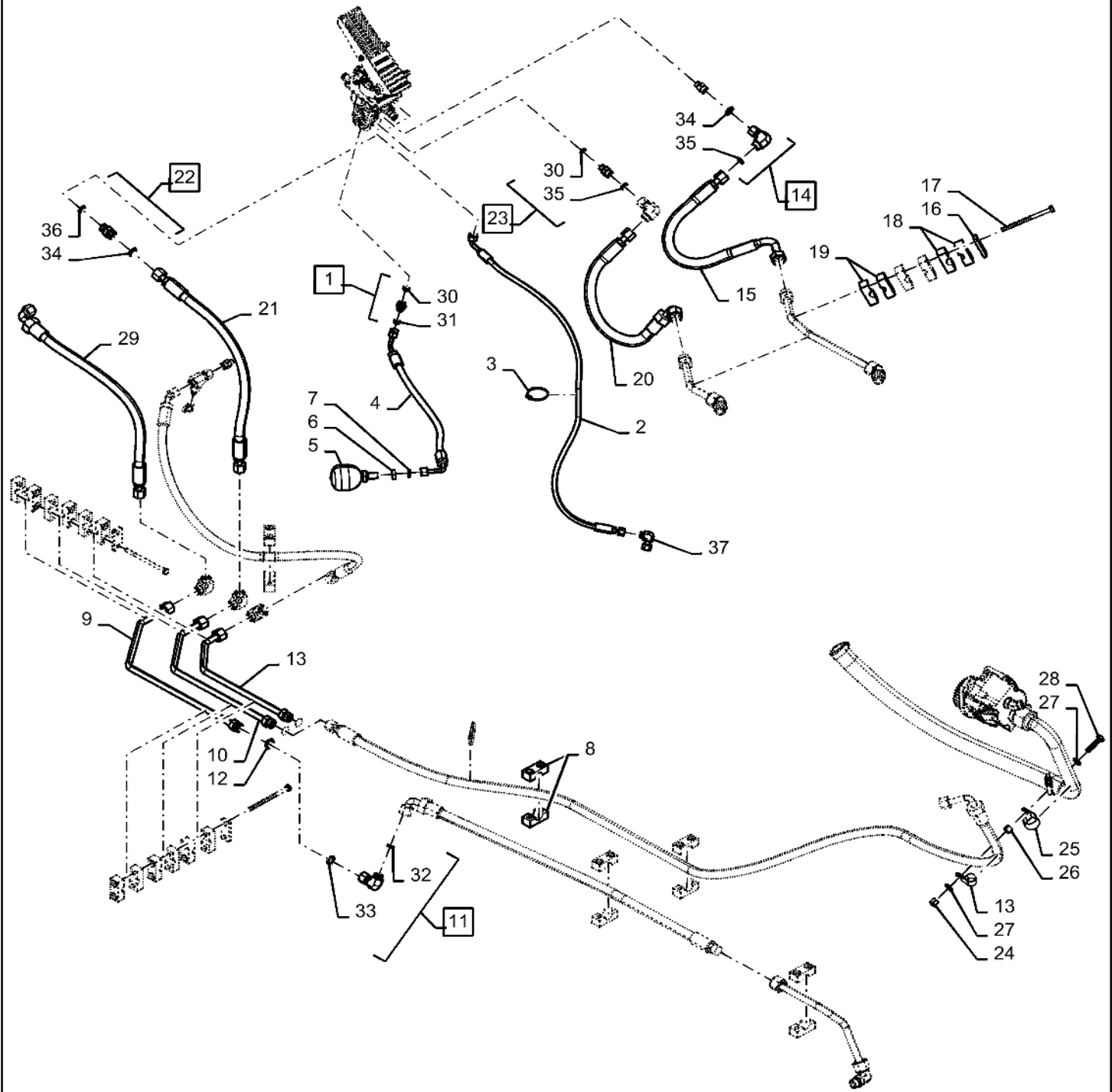
p1

6/2019

PARKING BRAKE



MAIN HYDRAULIC BRAKE



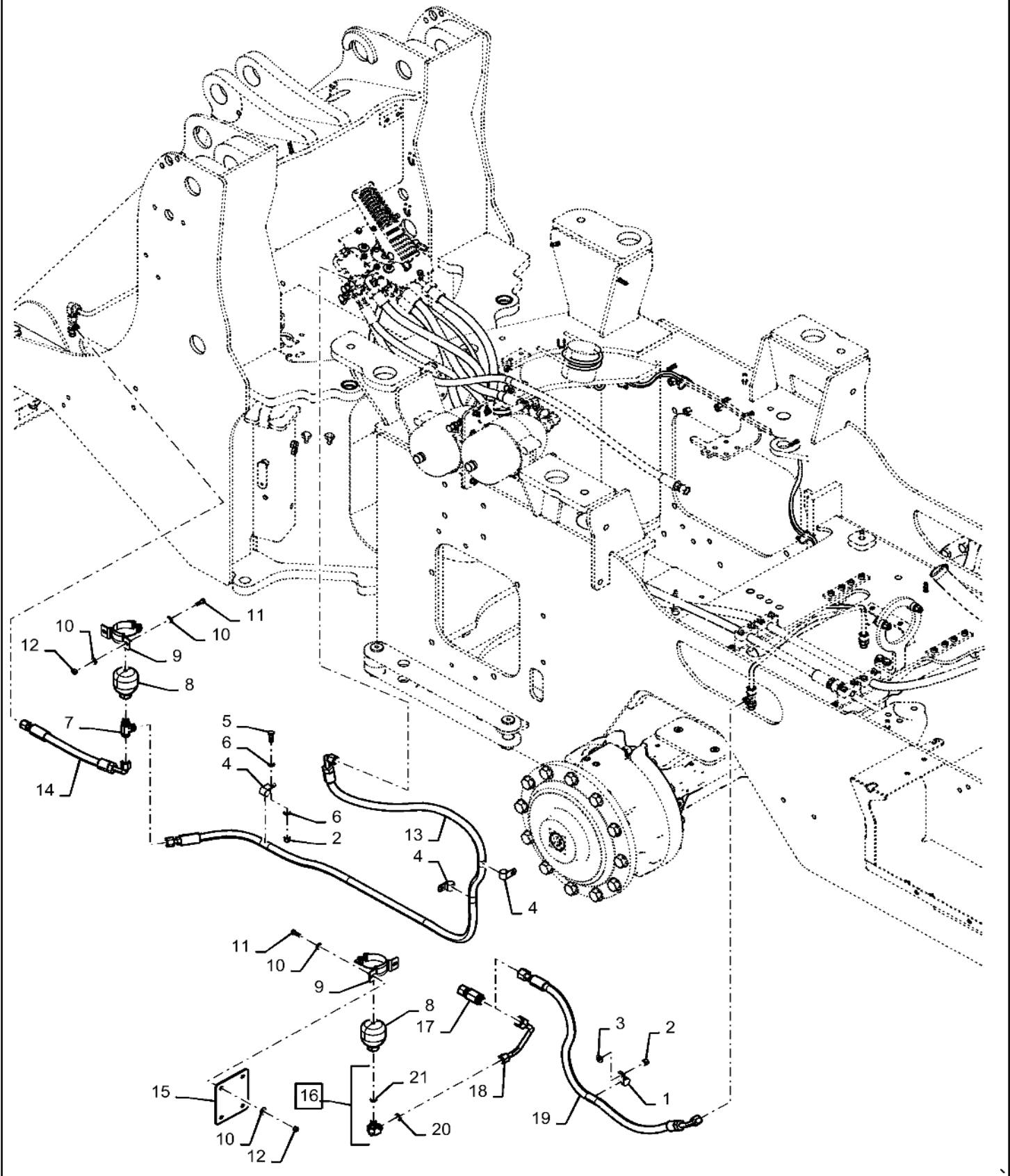
33.202.030

01

p1

6/2019

HEAVY DUTY BRAKE LINE, AUX STEERING



---

## SECTION INDEX

### HYDRAULIC SYSTEMS

---

35.752.020		THERMAL BYPASS VALVE INSTALLATION
35.752.030		VARIABLE SPEED REVERSIBLE FAN VALVE
35.752.030	01	VARIABLE SPEED REVERSING FAN VALVE

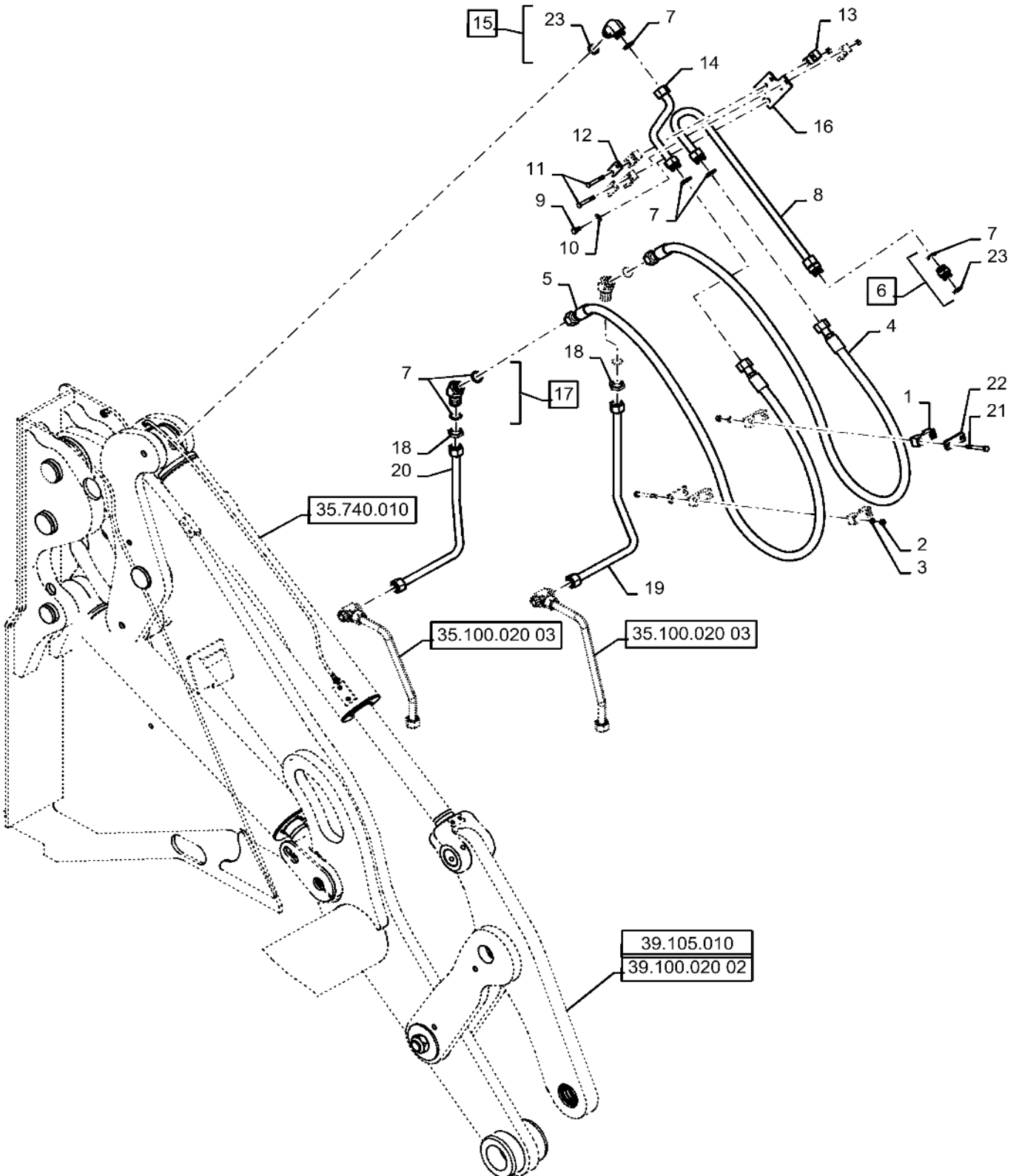
35.100.020

02

p1

6/2019

TILT CYLINDER LINES AND FITTINGS, XT/TC LEFT SIDE



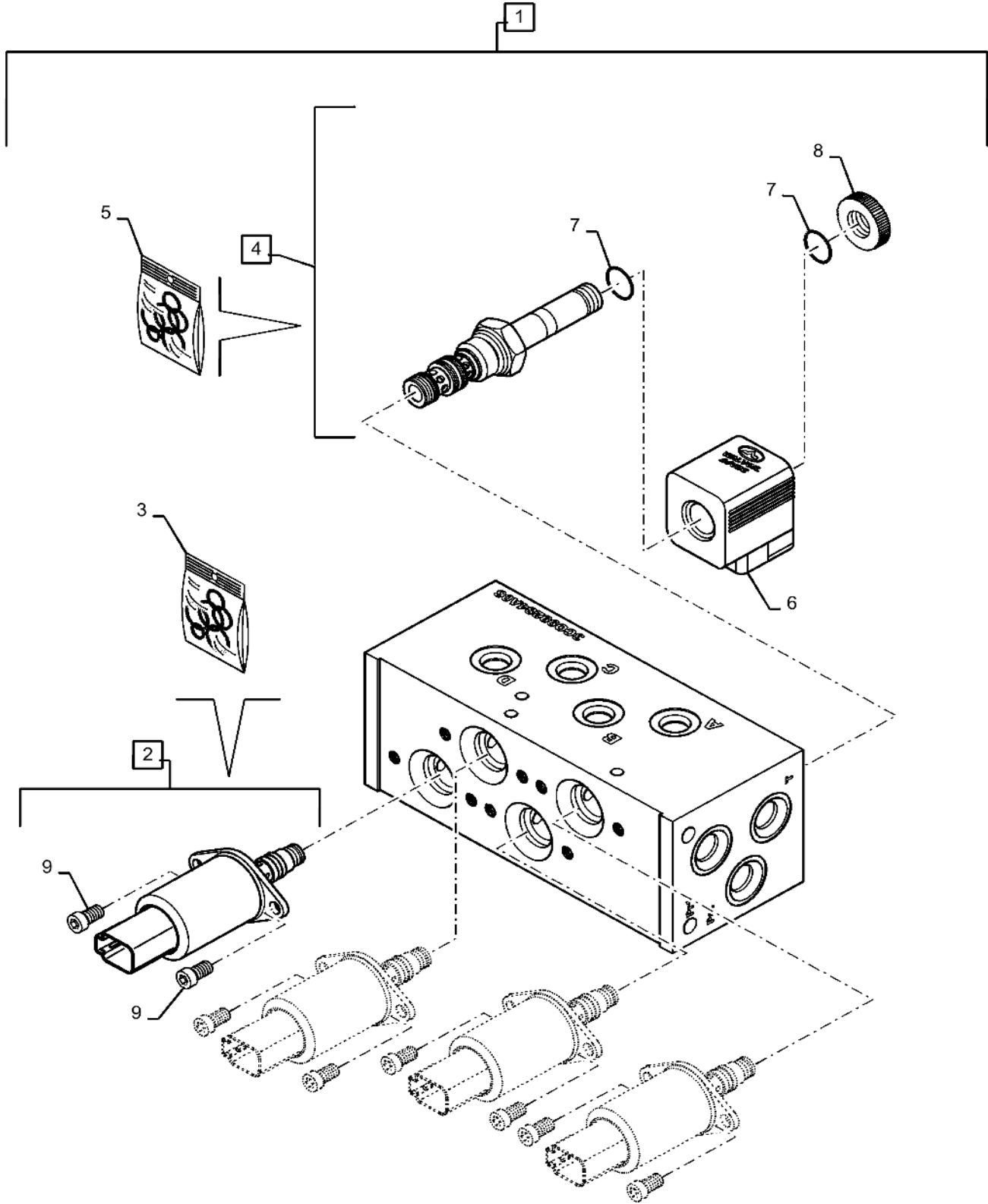
35.204.010

01

p1

6/2019

VAR - 734051, 734052 - SOLENOID VALVE, ASSY - EH CONTROL, 2 SPOOL

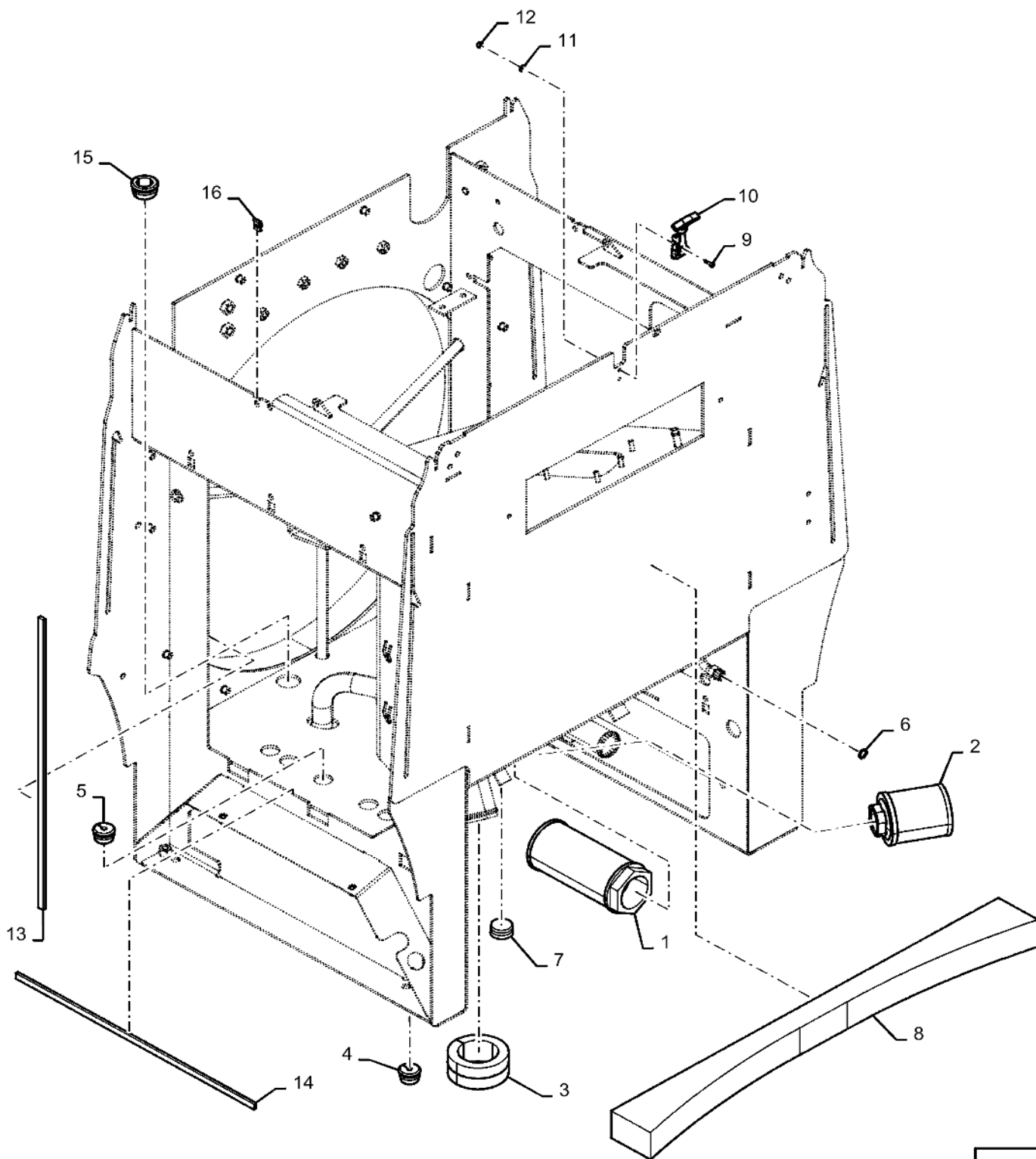


35.300.020

p1

6/2019

HYDRAULIC RESERVOIR FILTER



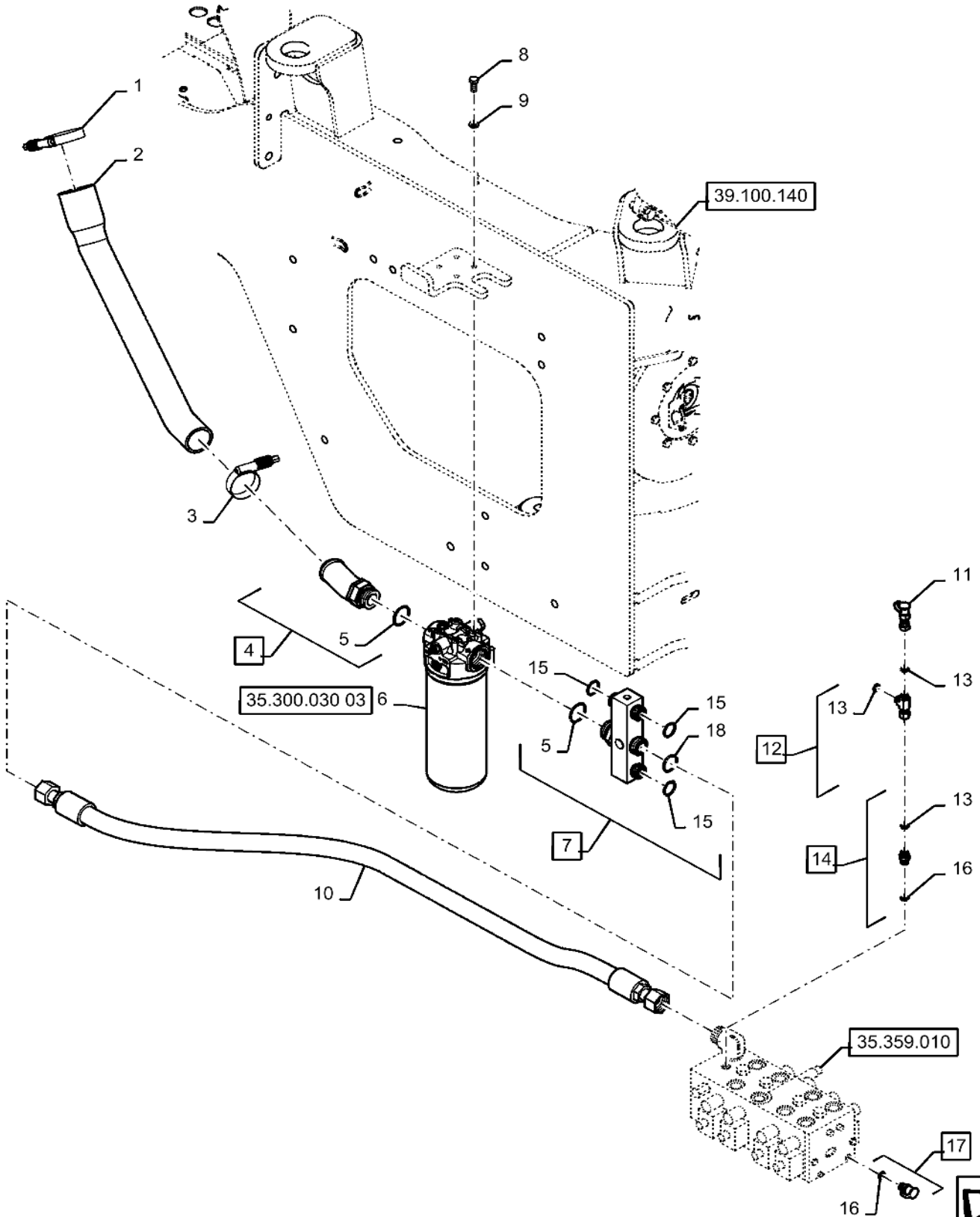
35.300.030

02

p1

6/2019

HYDRAULIC RESERVOIR RETURN LINE



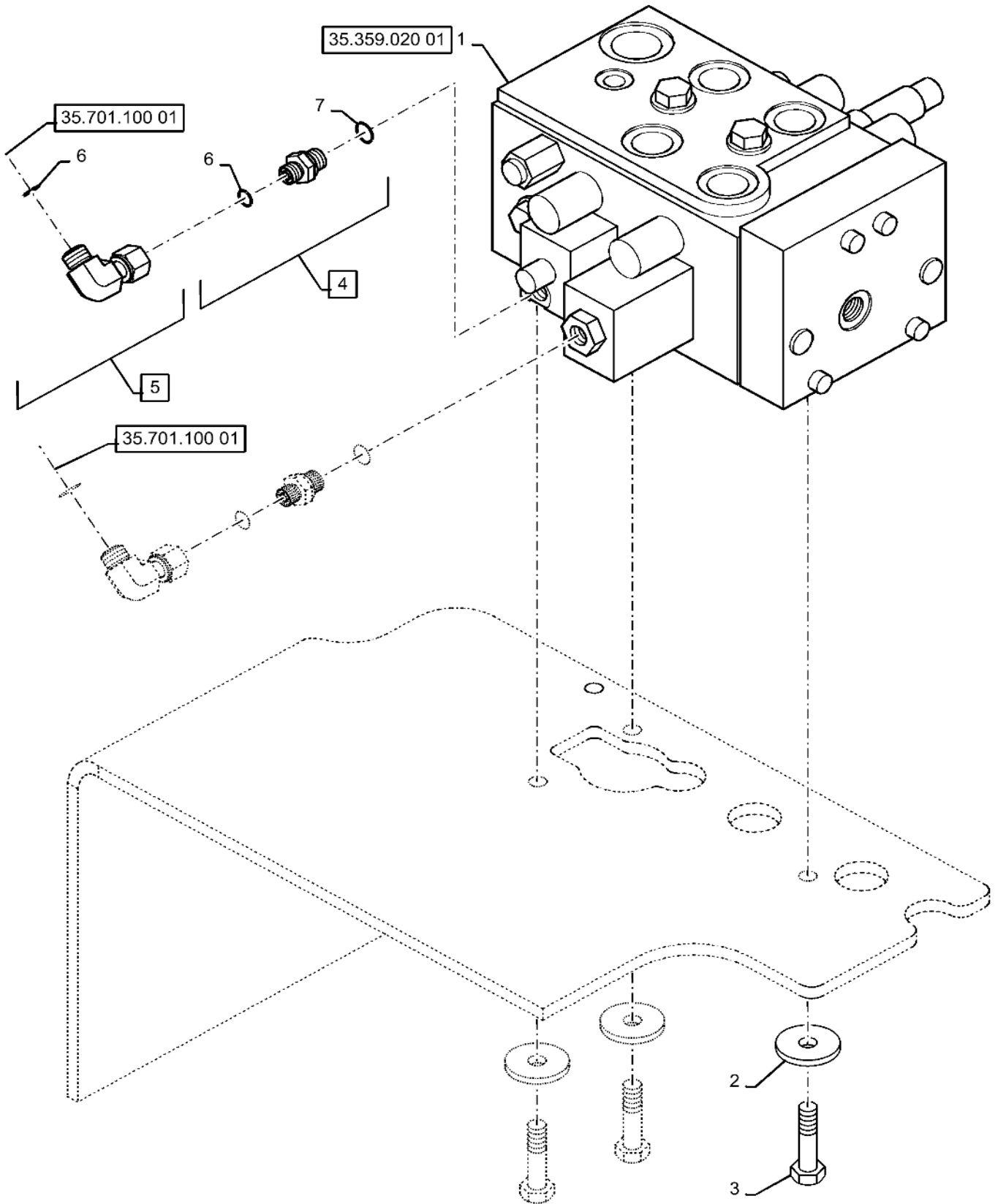
**35.357.040**

01

p1

6/2019

VAR - 734051, 734052 - CONTROL VALVE, MOUNTING - 2 SPOOL, XT / TC



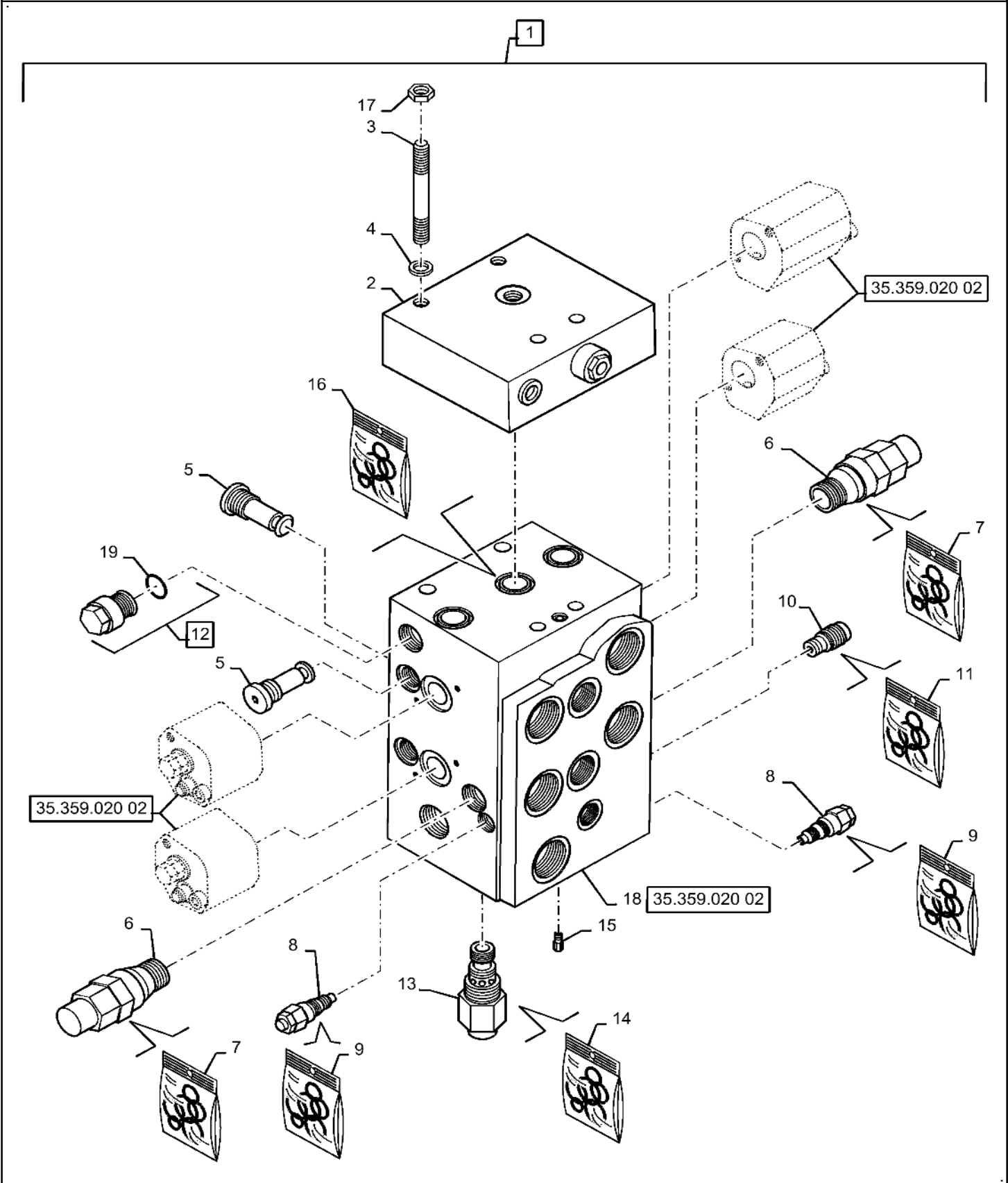
35.359.020

01

p1

6/2019

VAR - 734051, 734052 - CONTROL VALVE ASSY - 2 SPOOL, XT



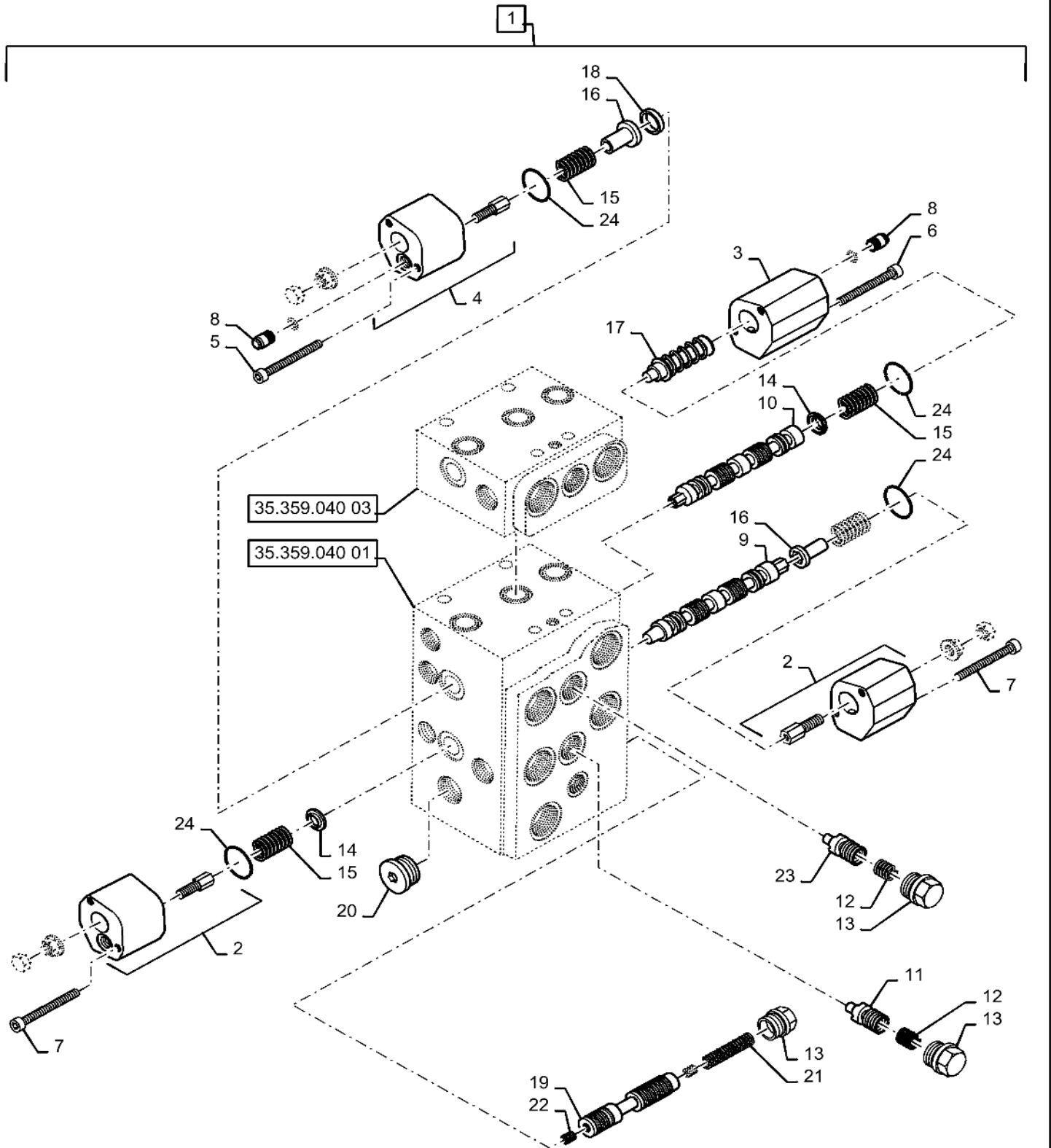
35.359.040

02

p1

6/2019

VAR - 734053, 734054 - CONTROL VALVE ASSY - 3 SPOOL, Z-BAR / XR / LR



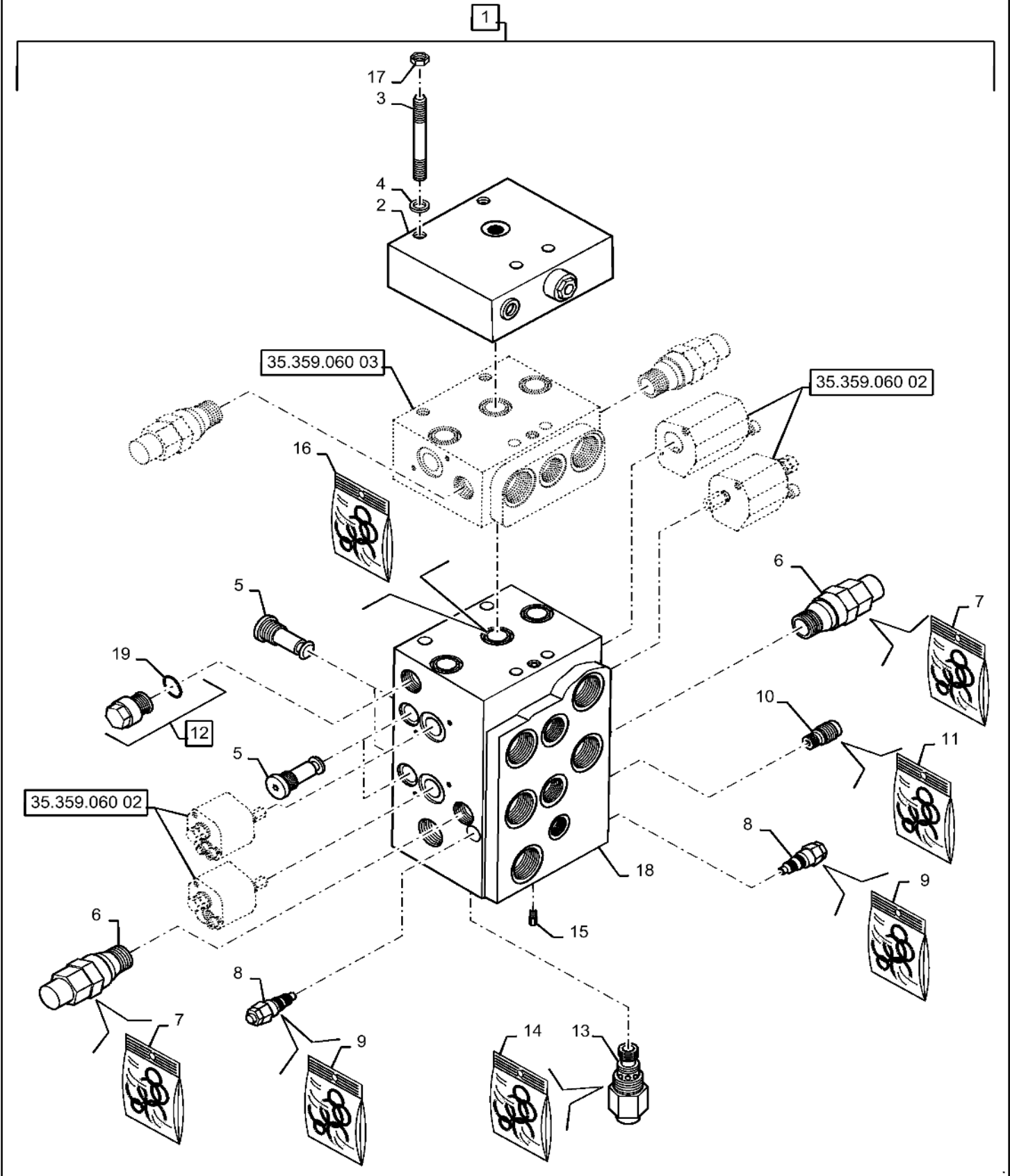
35.359.060

01

p1

6/2019

VAR - 734055 - CONTROL VALVE ASSY - 4 SPOOL, XT / TC



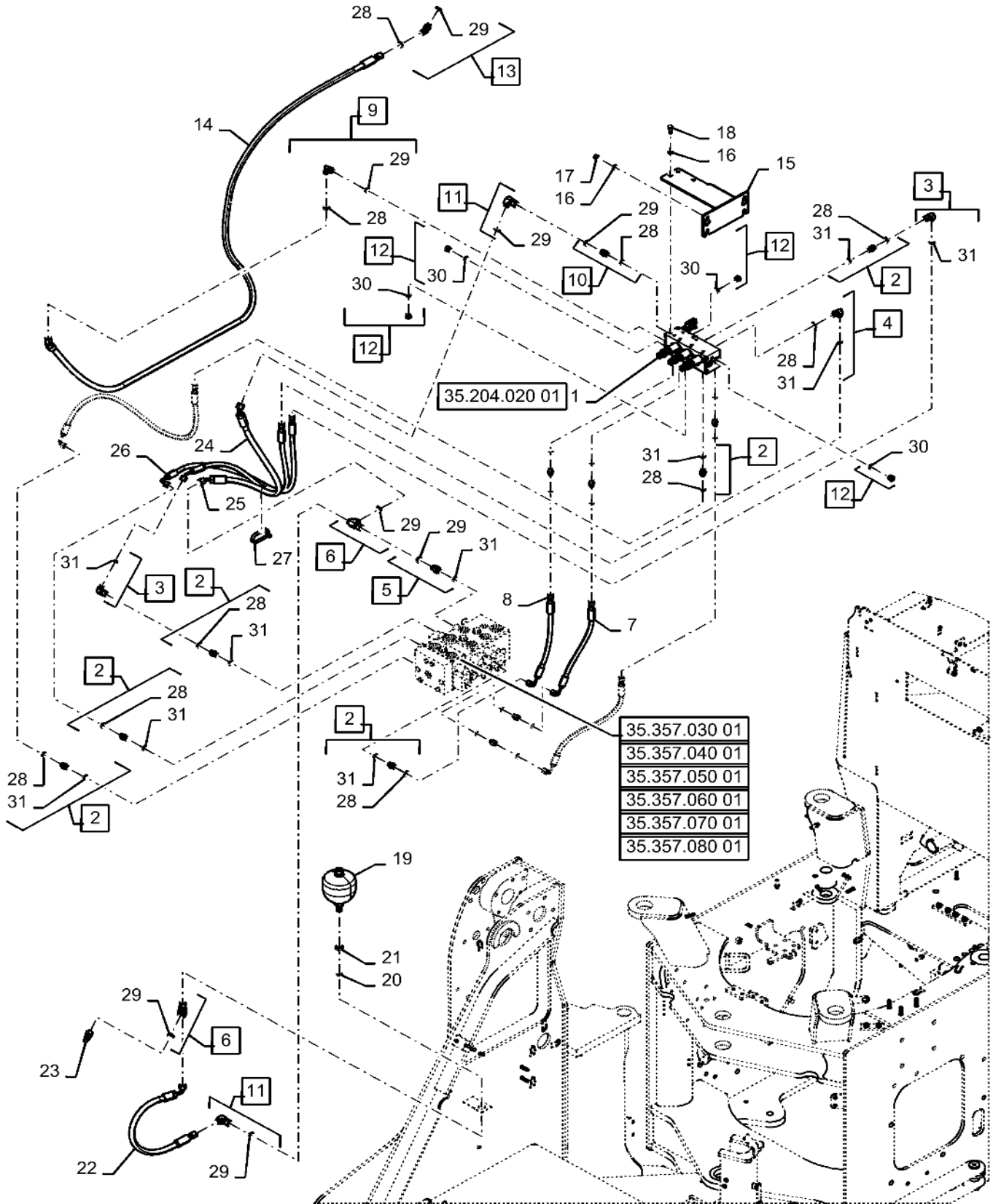
35.480.020

01

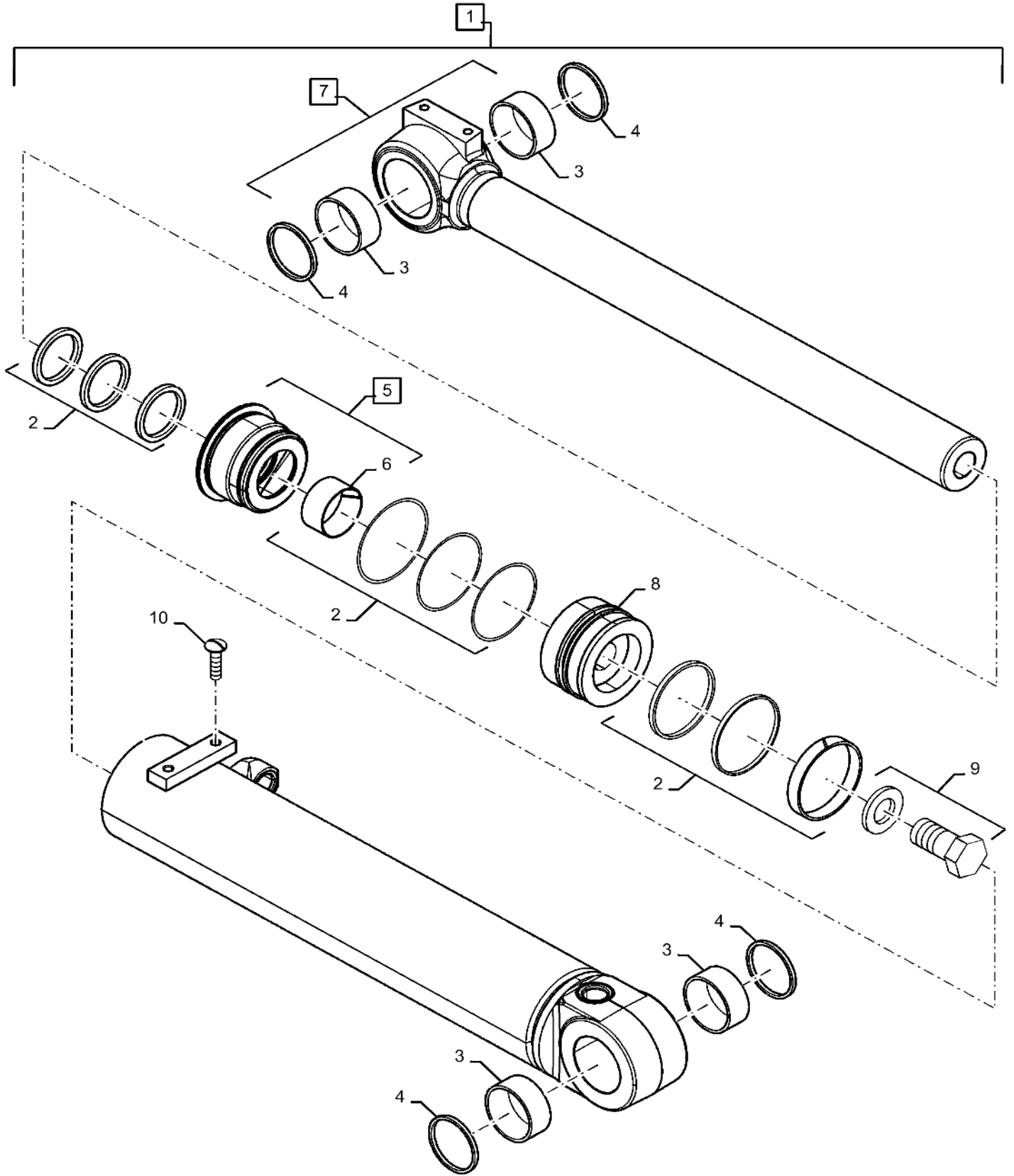
p1

6/2019

VAR - 734053, 734054 - CONTROL VALVE LINE - 3 SPOOL, EH



TILT CYLINDER ASSEMBLY, Z-BAR



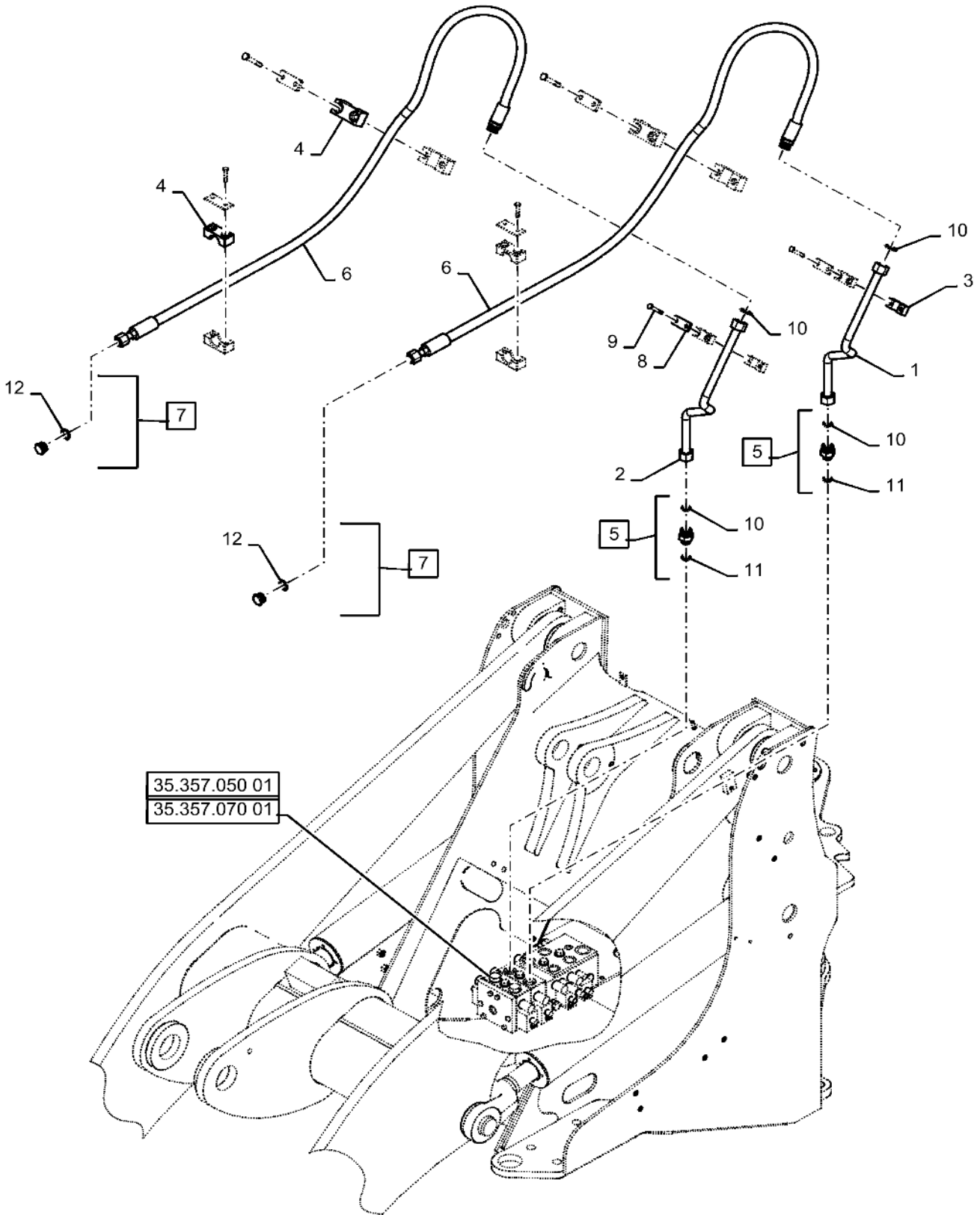
35.701.080

01

p1

6/2019

VAR - 734053, 734054, 734055 - THIRD SPOOL AUXILIARY LINE INSTALLATION, XR



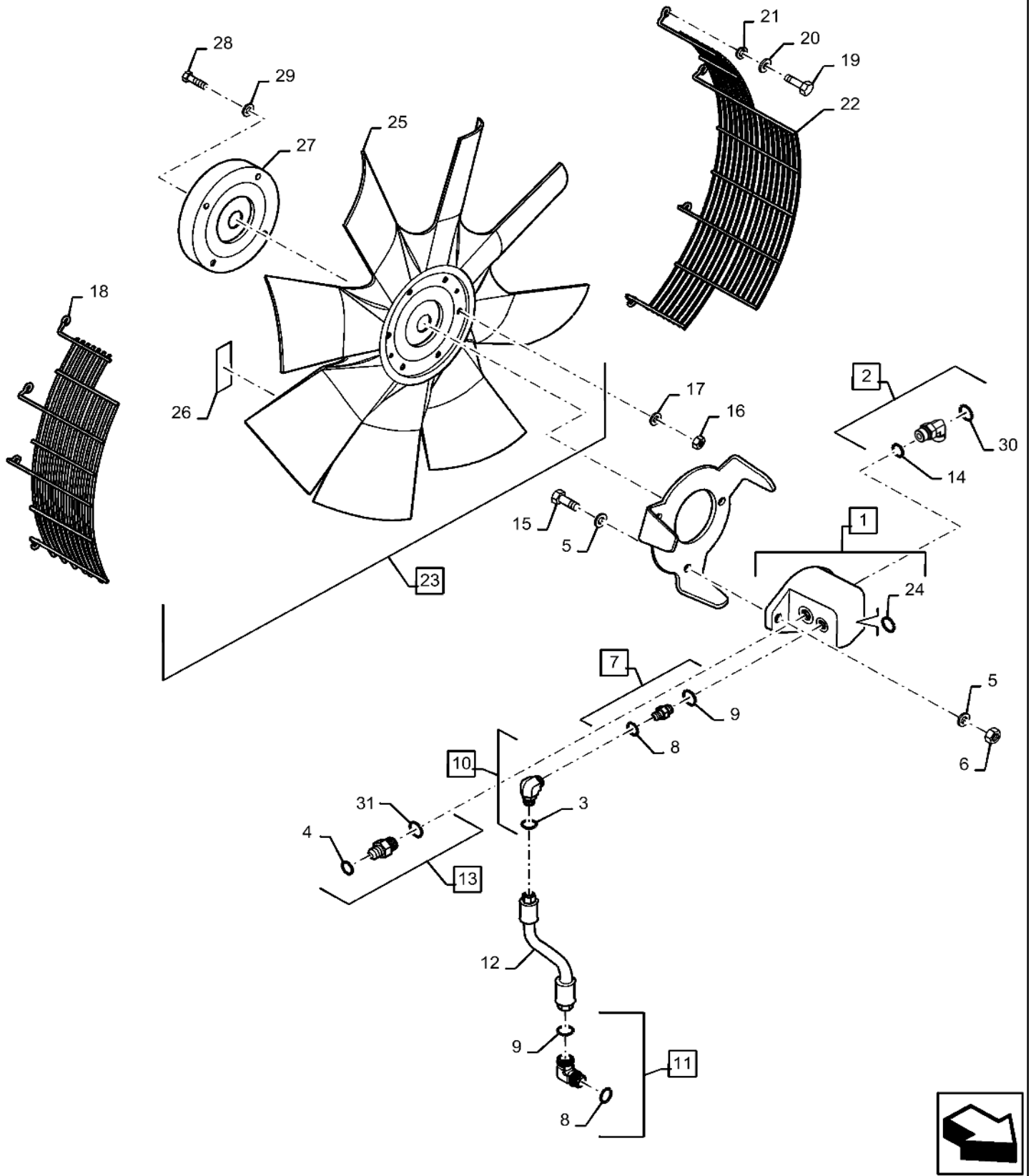
35.752.010

01

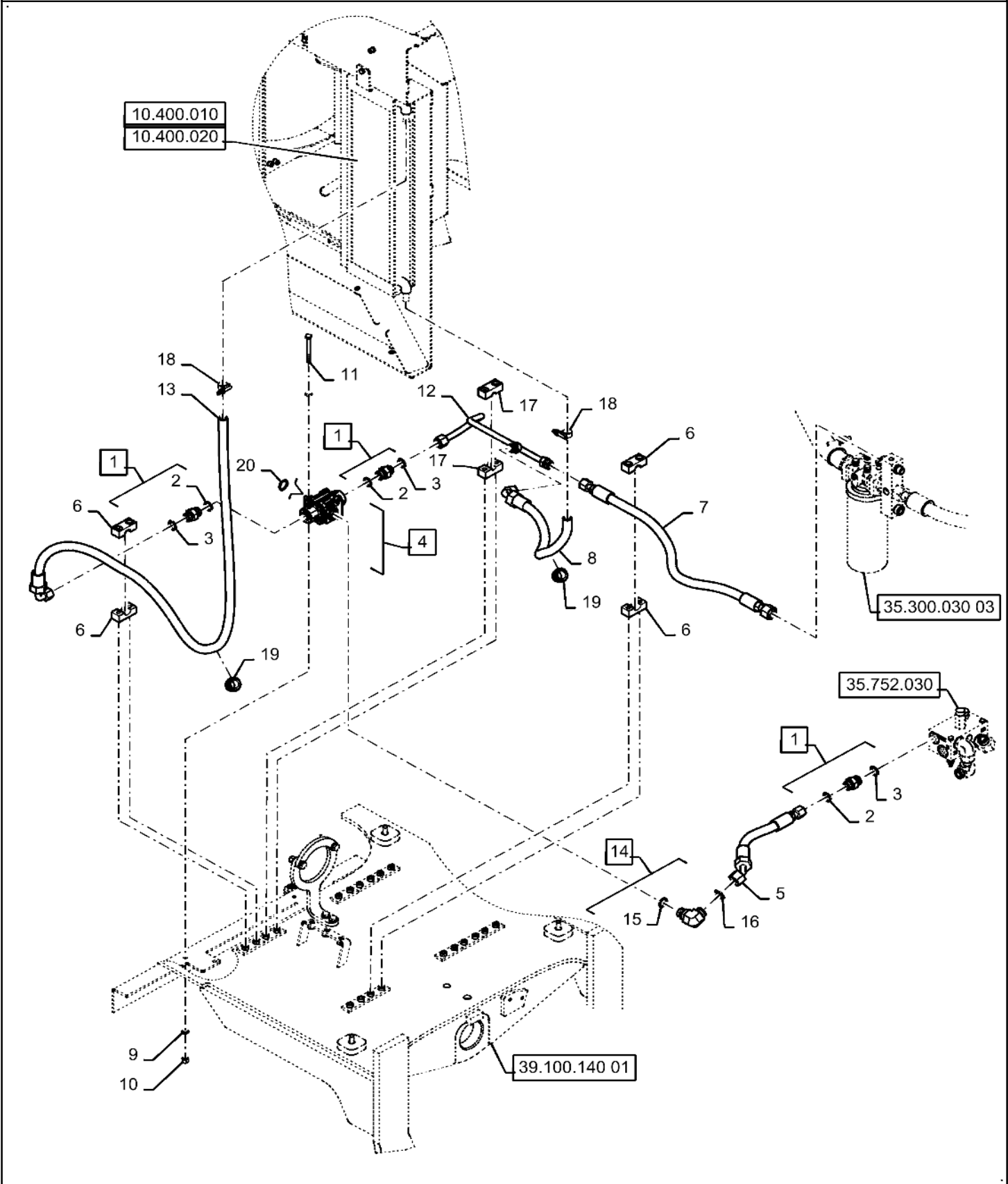
p1

6/2019

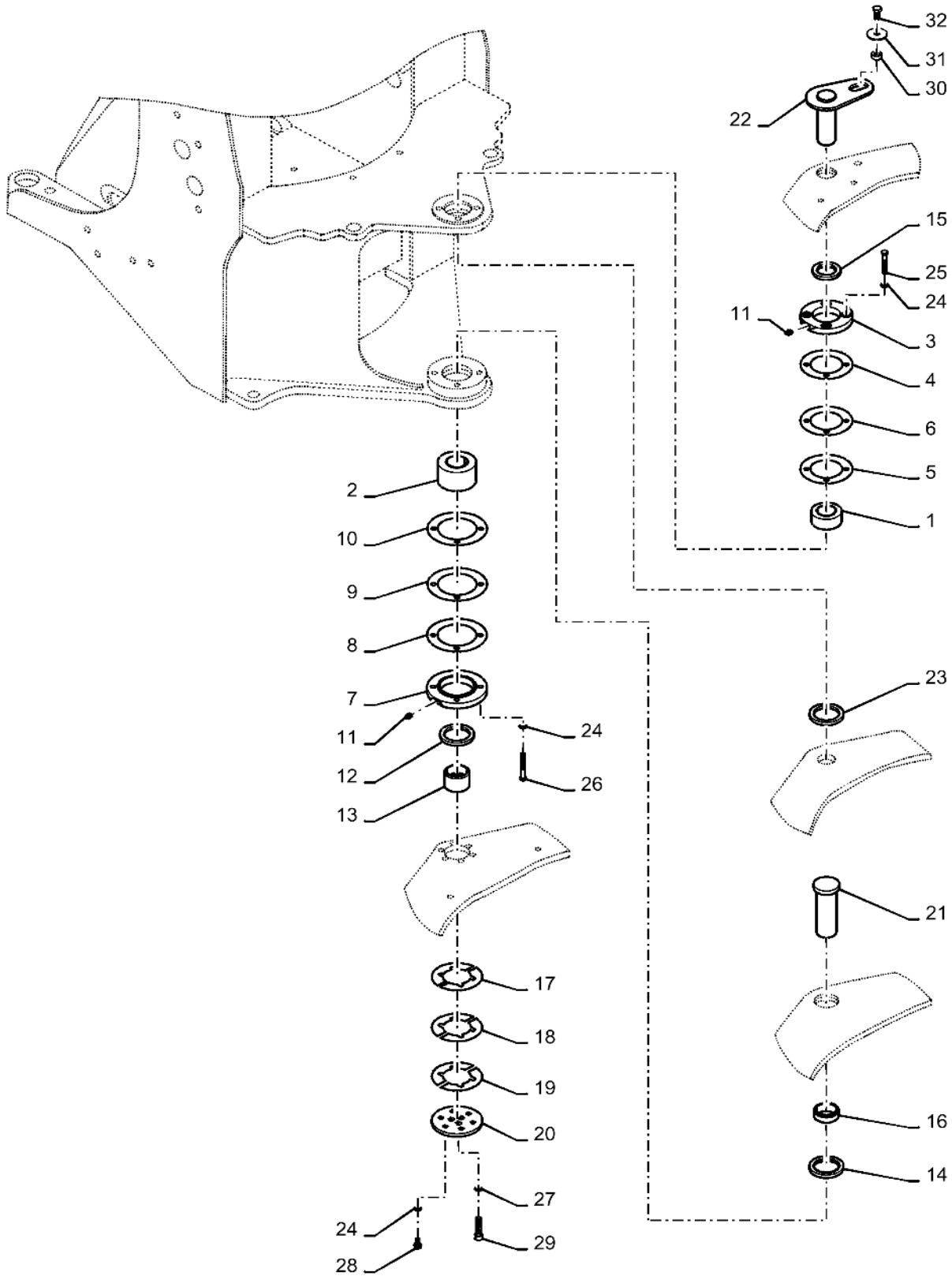
FAN DRIVE ASSEMBLY



THERMAL BYPASS VALVE INSTALLATION



ARTICULATION JOINT

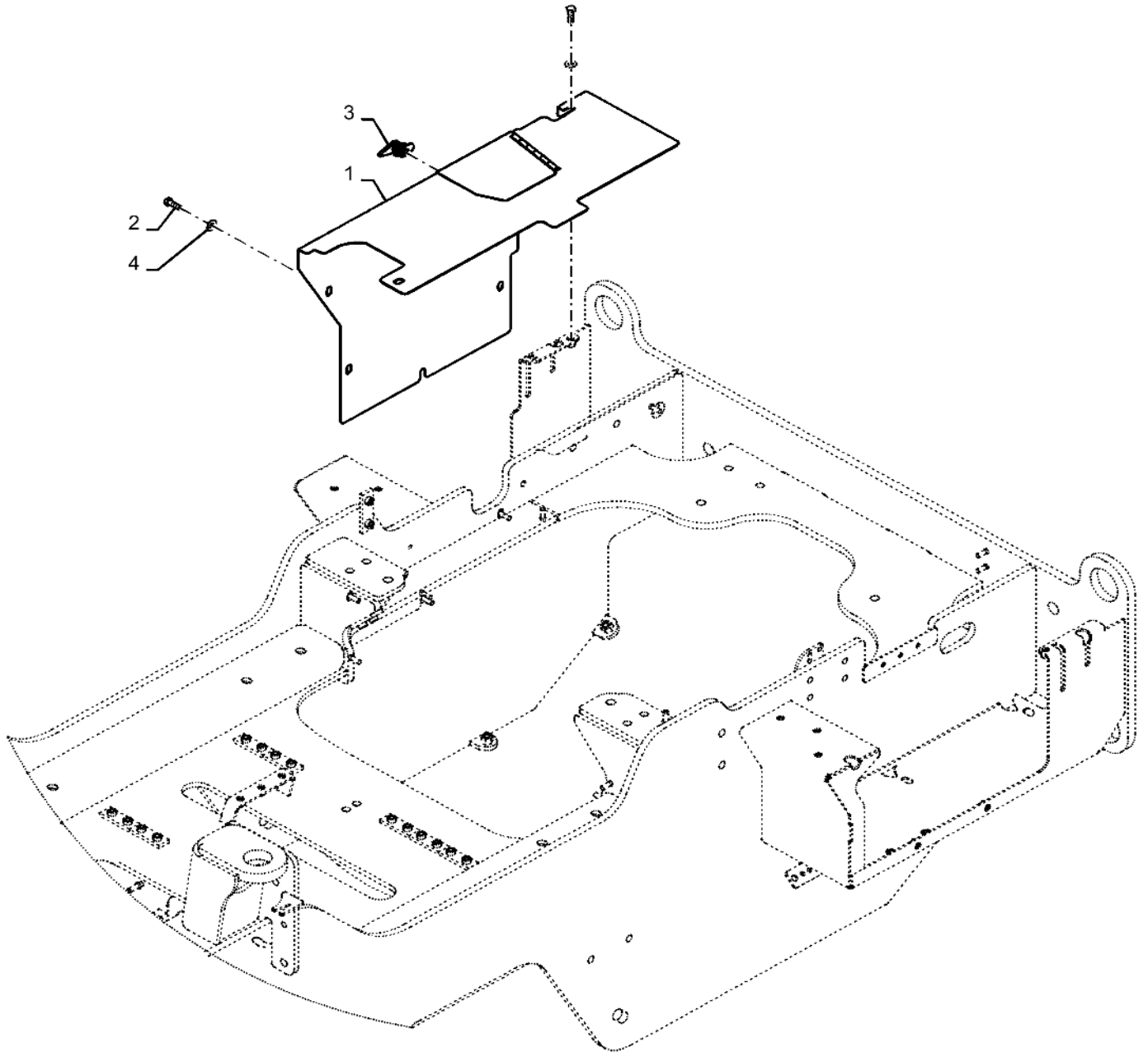


**39.100.070**

p1

6/2019

**BATTERY AND SCR COVERS**



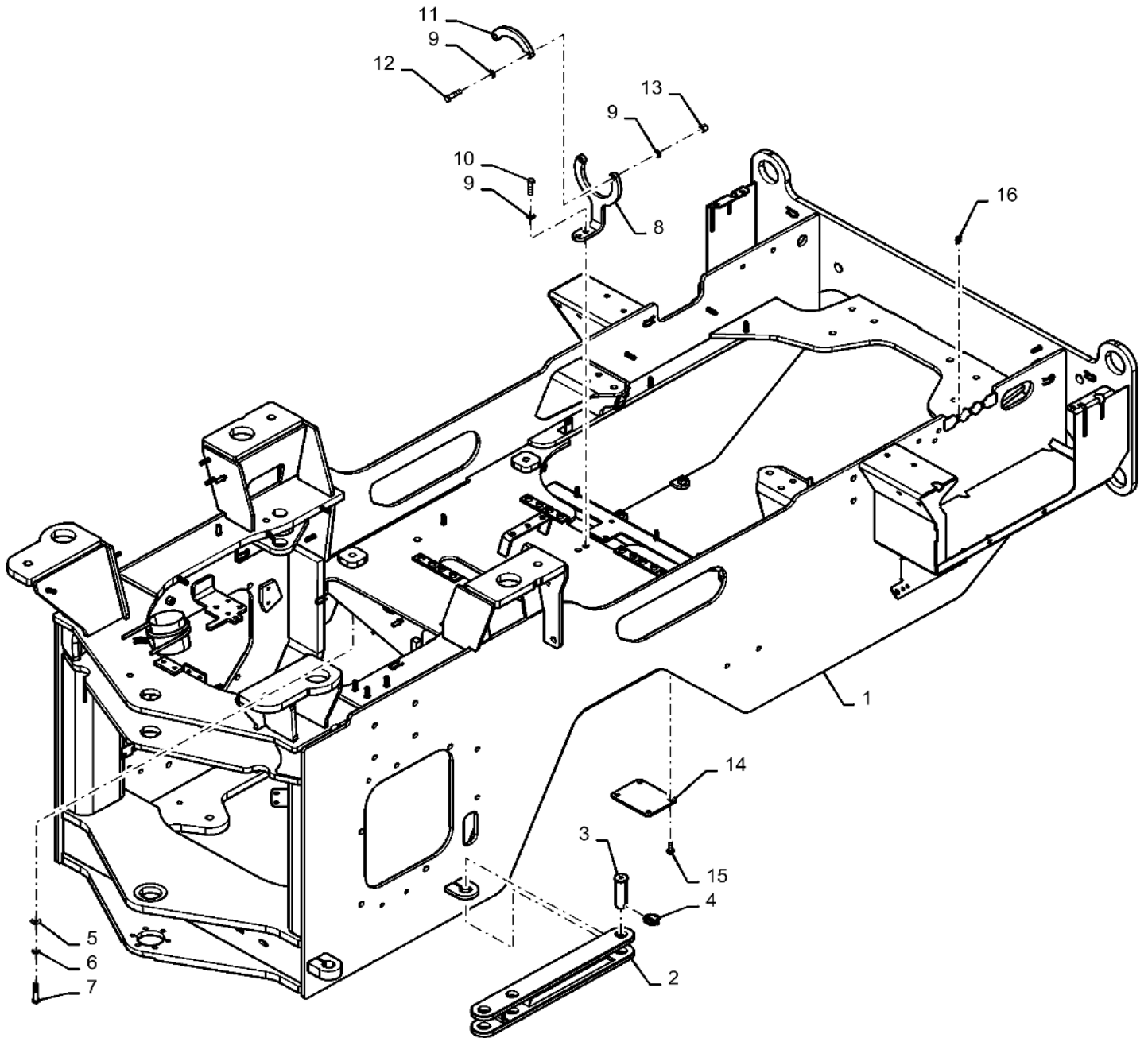
39.100.140

02

p1

6/2019

REAR FRAME INSTALLATION, WH



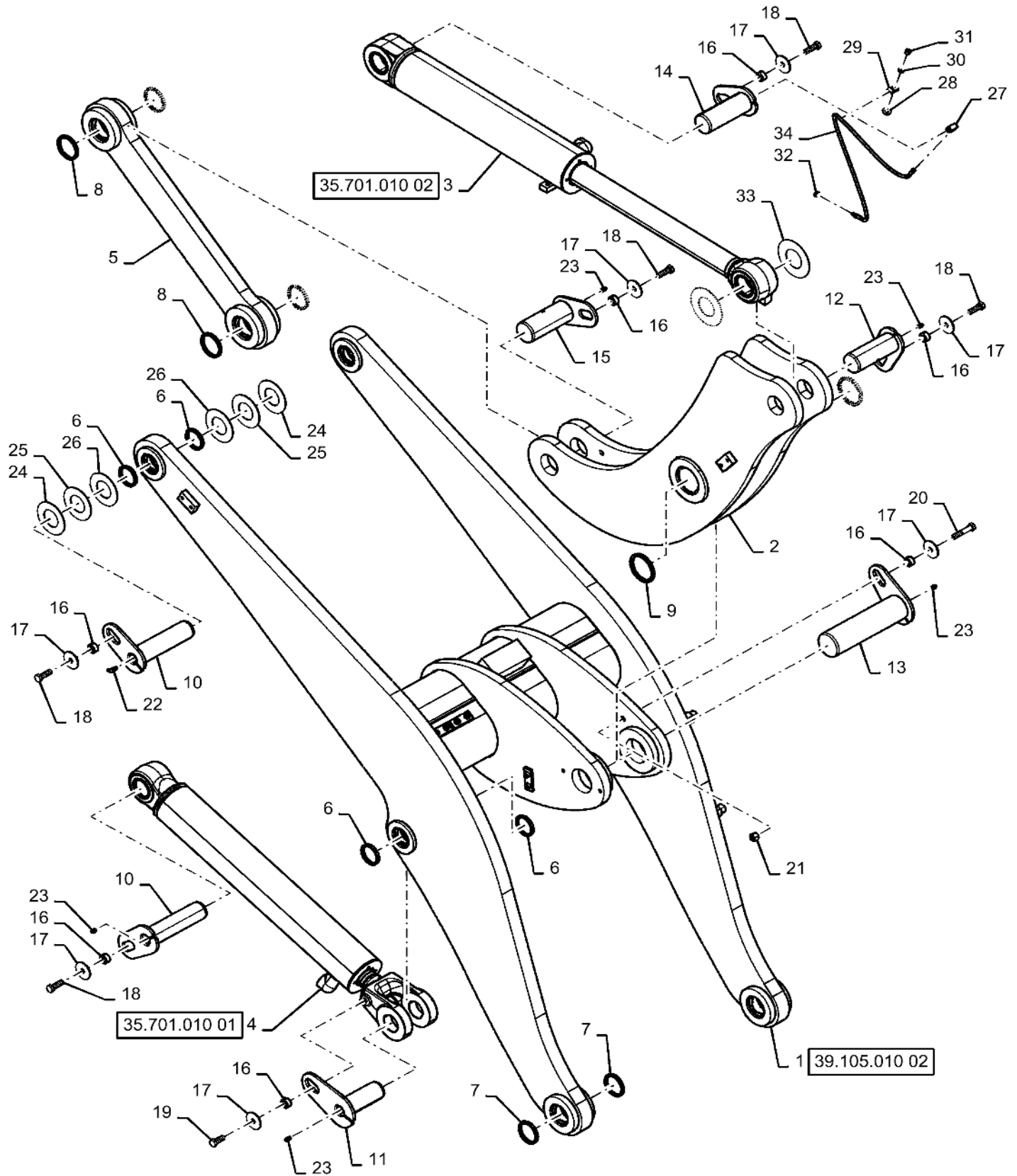
39.105.020

01

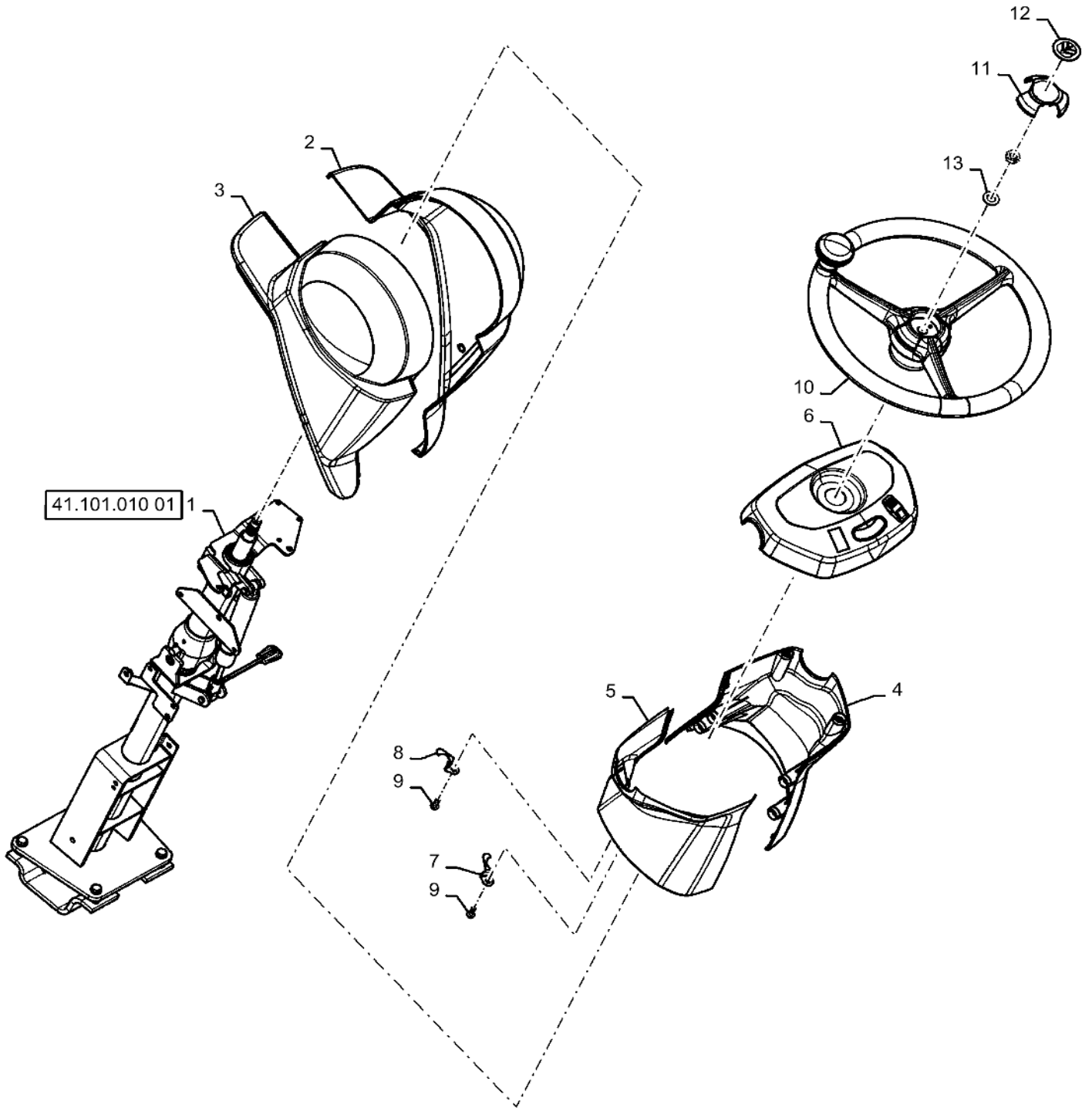
p1

6/2019

LIFT ARM INSTALLATION, XR



VAR - 734065 - STEERING COLUMN COVER INSTALLATION



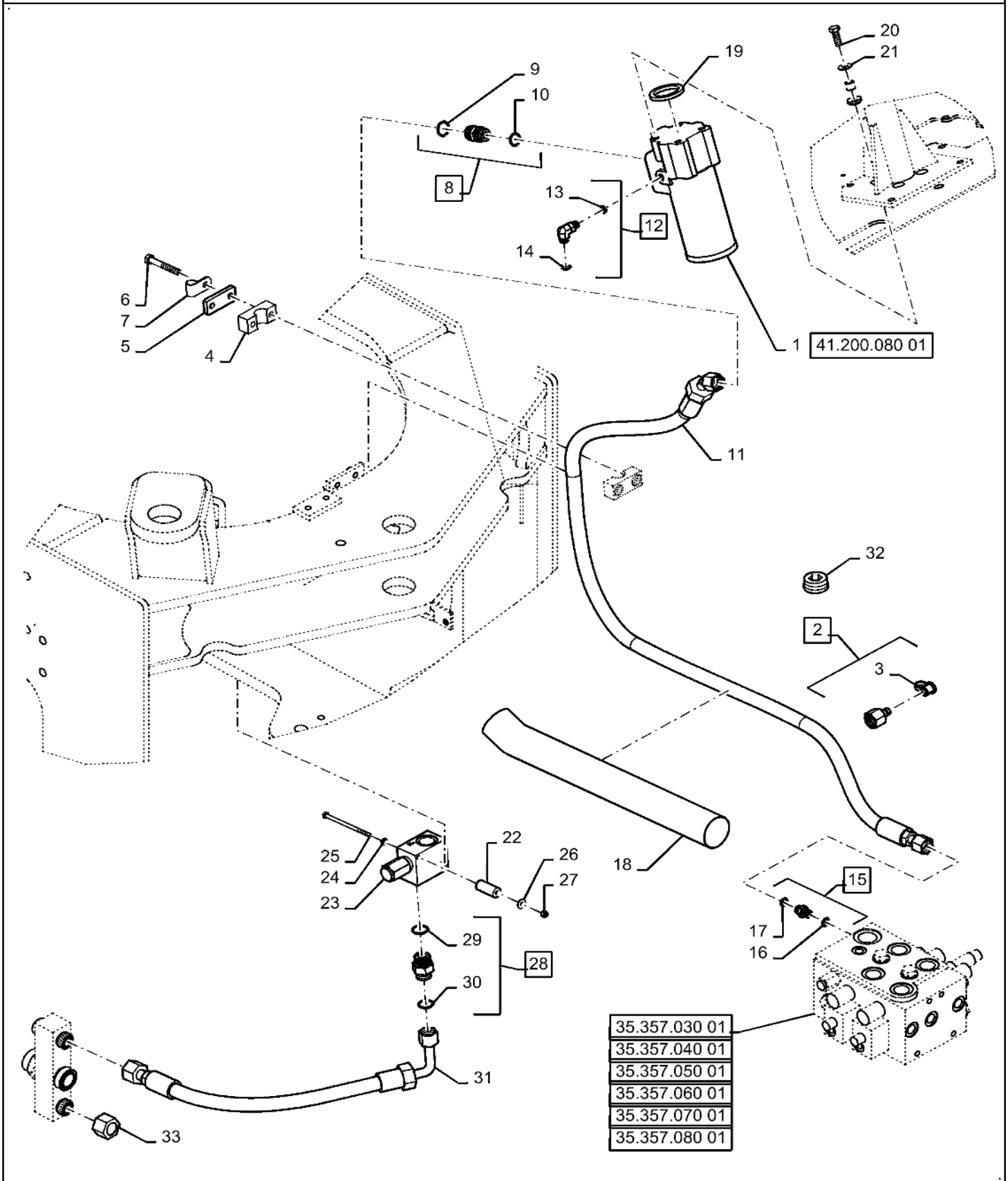
41.200.010

01

p2

6/2019

VAR - 482930, 782441 - STANDARD STEERING CONTROL LINE



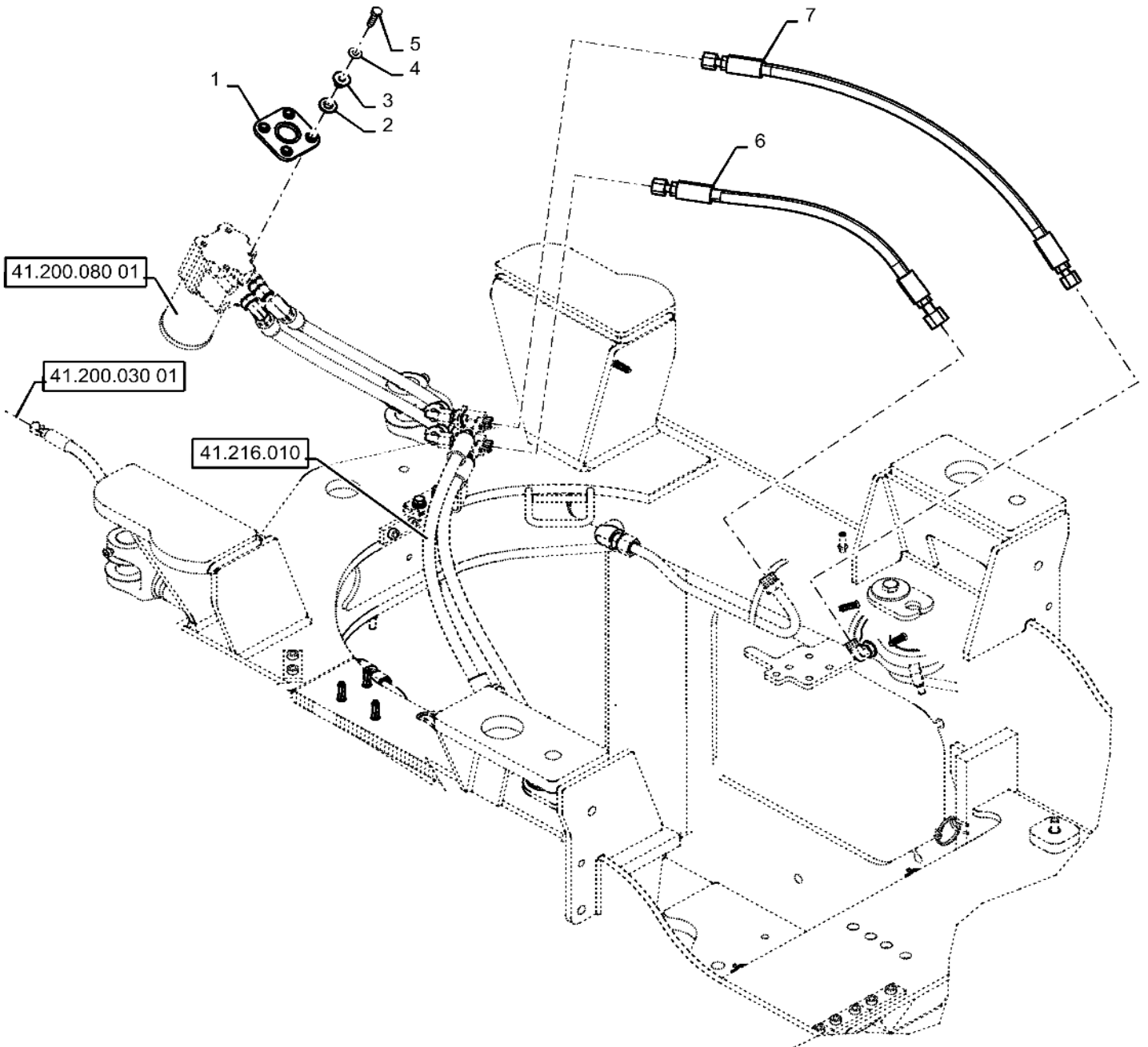
41.200.040

01

p1

6/2019

VAR - 782442 - ELECTRIC SYSTEM CONTROL, STEERING - W/O JOYSTICK



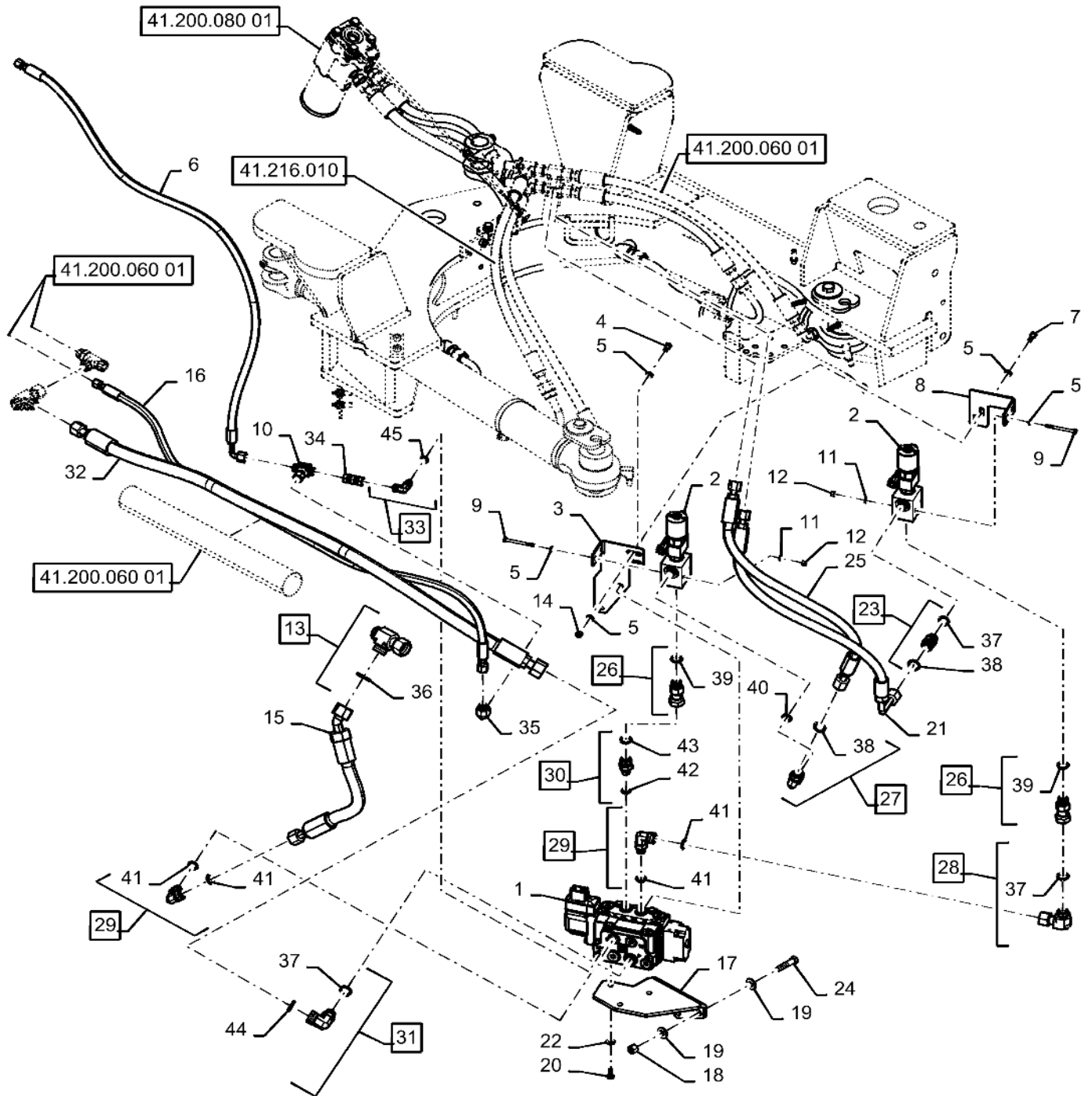
41.200.060

02

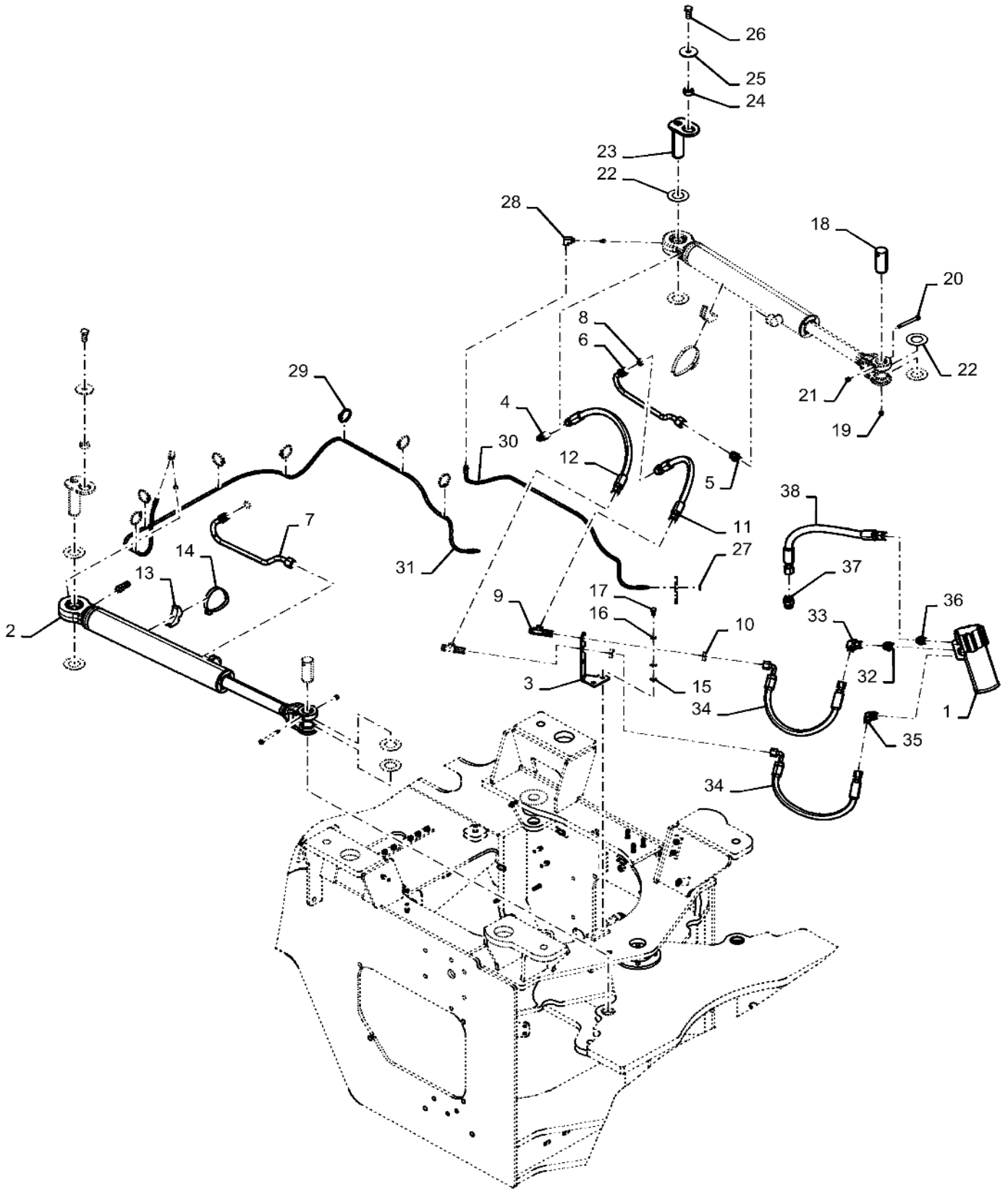
p1

6/2019

VAR - 482913 - STANDARD , STEERING - EH W/ JOYSTICK



STEERING CYLINDER, MOUNTING



CLICK HERE TO **DOWNLOAD** THE COMPLETE MANUAL

- Thank you very much for reading the preview of the manual.
- You can download the complete manual from: [www.heydownloads.com](http://www.heydownloads.com) by clicking the link below



- Please note: If there is no response to **CLICKING** the link, please download this PDF first and then click on it.

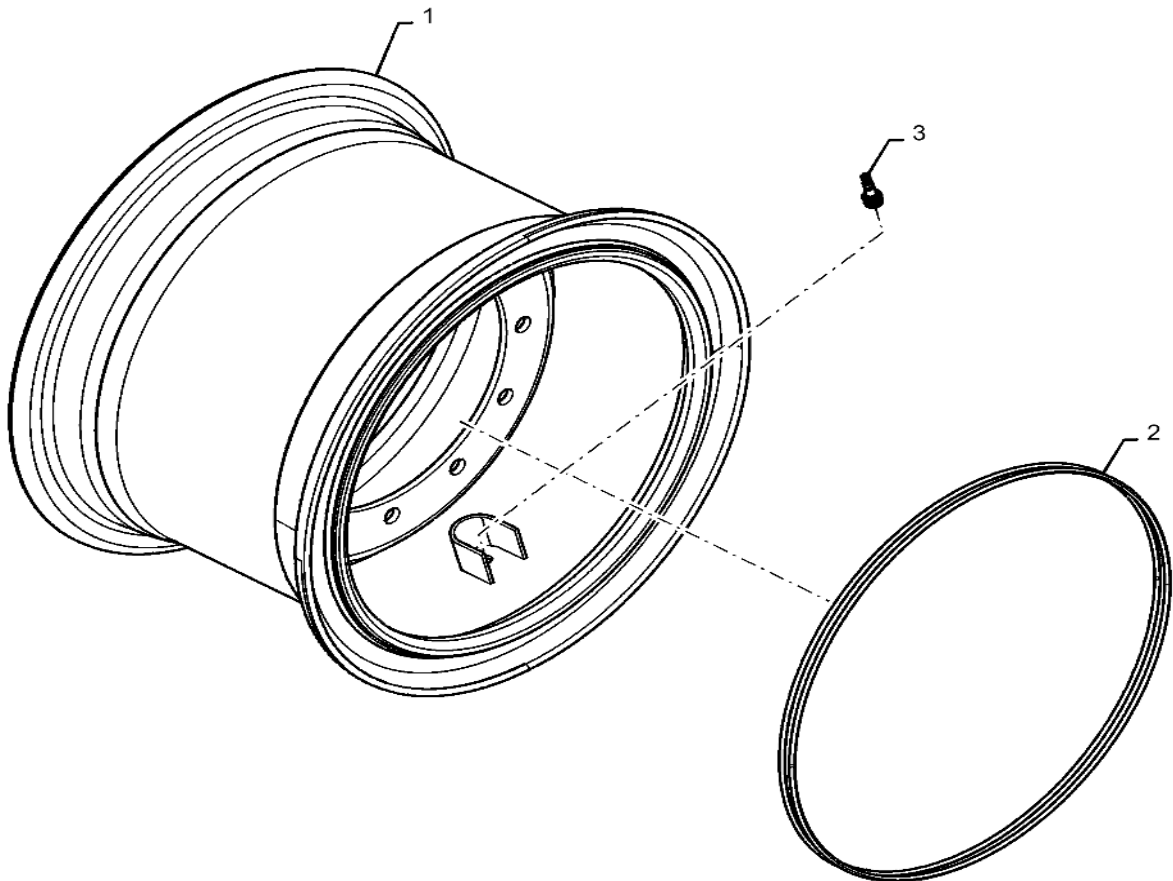
CLICK HERE TO **DOWNLOAD** THE COMPLETE MANUAL

44.000.020

p1

6/2019

WHEELS



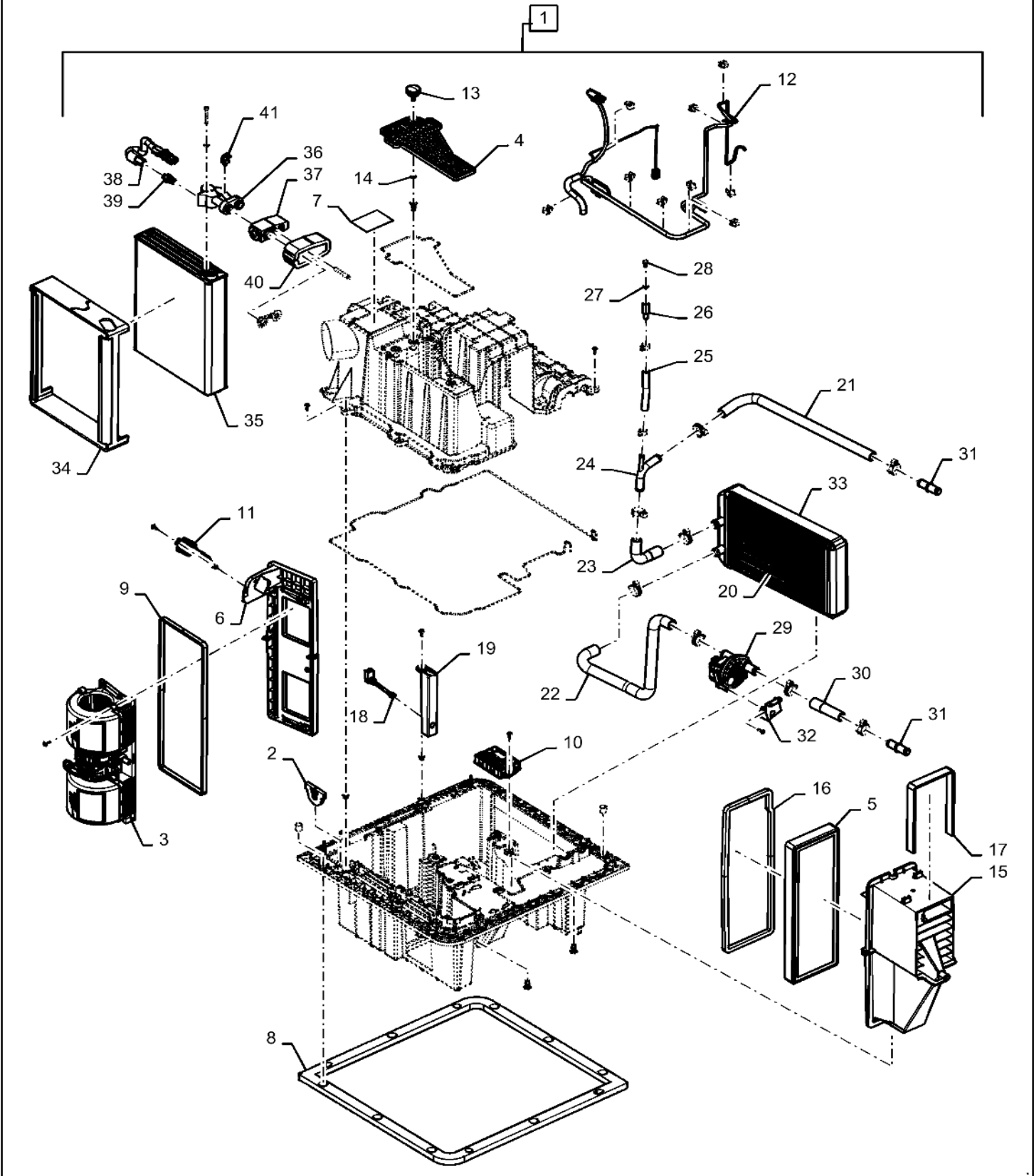
Note: Purchase Tires Locally.

50.100.050

p1

6/2019

HEATER W/ A/C ASSEMBLY

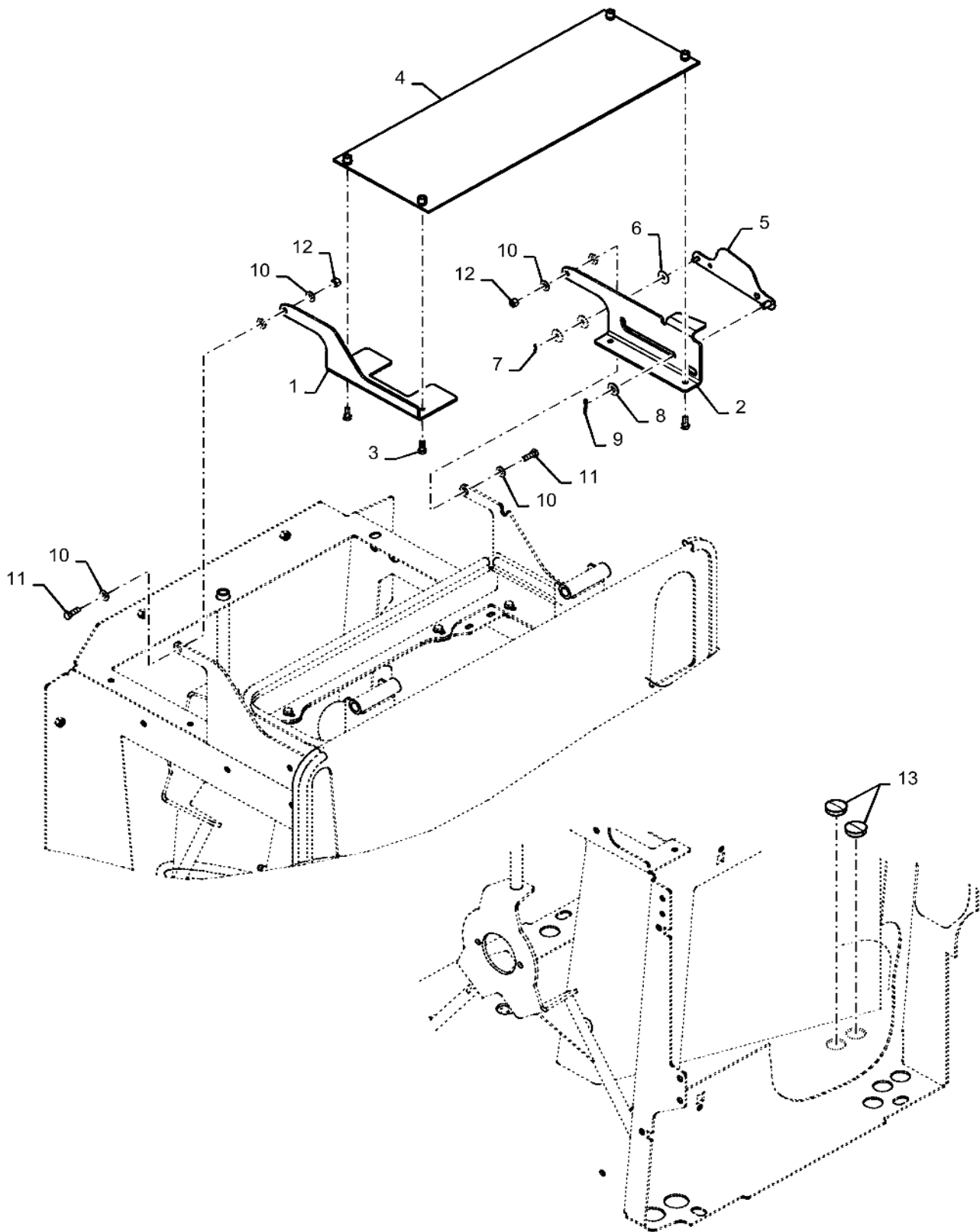


50.200.020

p1

6/2019

VAR - 782439 - COVER, NO AIR CONDITIONING



---

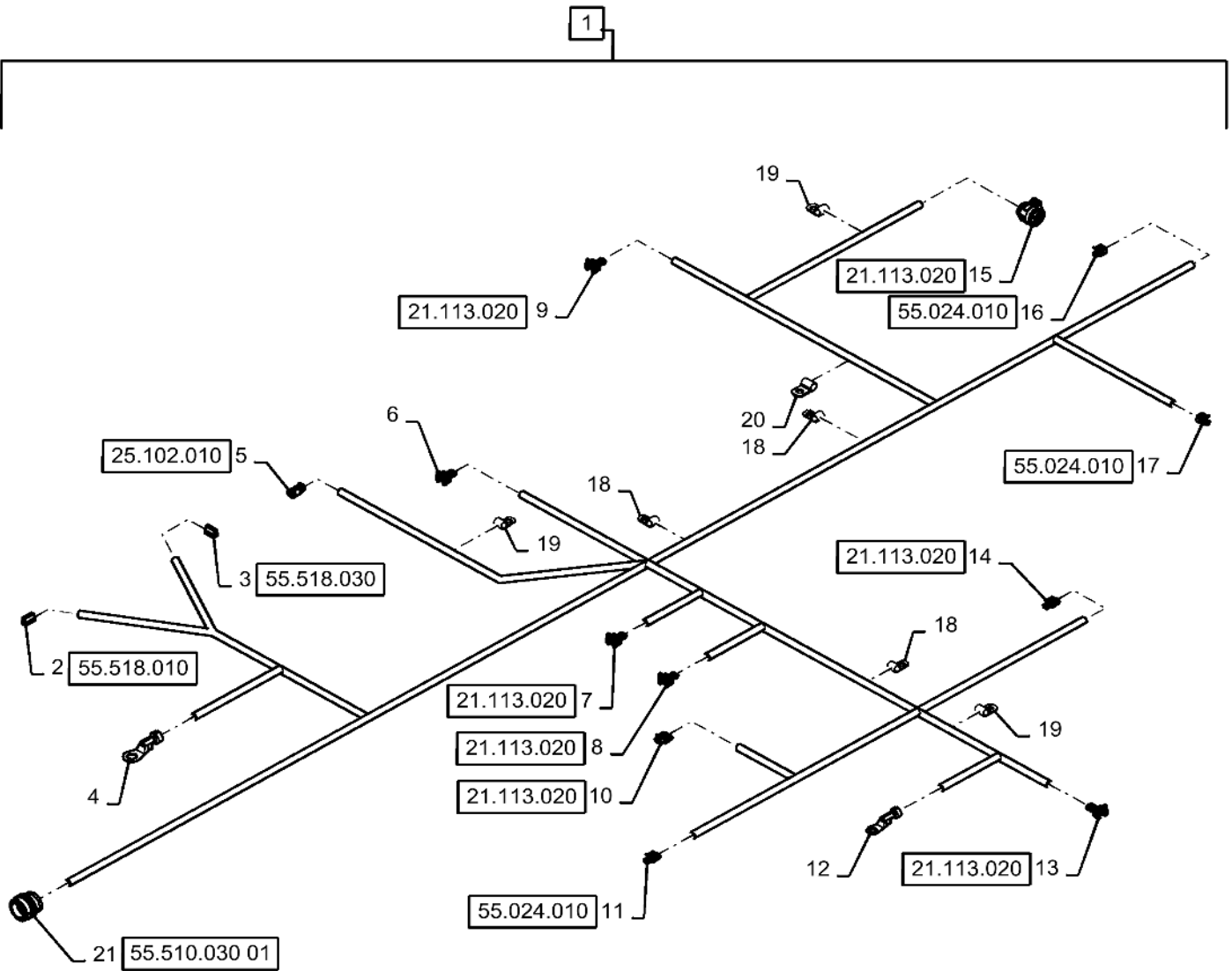
## SECTION INDEX

### ELECTRICAL SYSTEMS

---

55.000.00	01	PICTORIAL INDEX - ELECTRICAL SYSTEMS
55.000.00	02	PICTORIAL INDEX - ELECTRICAL SYSTEMS
55.024.010	01	TRANSMISSION HARNESS INSTALLATION
55.024.010	02	TRANSMISSION HARNESS ASSEMBLY
55.047.010	01	VAR - 482913, 782442 - ELECTRIC SYSTEM CONTROL, STEERING - W/ JOYSTICK
55.101.010	01	FRONT CHASSIS HARNESS INSTALLATION, Z-BAR / XR
55.101.010	02	FRONT CHASSIS HARNESS ASSEMBLY, Z-BAR / XR
55.101.020	01	ENGINE AND REAR CHASSIS HARNESS INSTALLATION
55.101.020	02	ENGINE AND REAR CHASSIS HARNESS INSTALLATION
55.101.020	03	FUSE BOX RELAY HOLDER INSTALLATION
55.101.020	04	FUSE HOLDER RELAY ASSEMBLY
55.101.030	01	FRONT CHASSIS HARNESS INSTALLATION, XT
55.101.030	02	FRONT CHASSIS HARNESS ASSEMBLY, XT
55.101.040		FAN WIRE HARNESS ASSEMBLY
55.101.050	01	ENGINE AND REAR CHASSIS HARNESS ASSEMBLY
55.101.050	02	ENGINE AND REAR CHASSIS HARNESS ASSEMBLY
55.201.010	01	ENGINE STARTER INSTALLATION
55.201.020		HEAVY DUTY BATTERY INSTALLATION
55.201.030		BATTERY CABLES AND JUMP POSTS
55.202.010		VAR - 482322 - GRID HEATER INSTALL
55.202.020		VAR - 482322 - CYLINDER BLOCK HEATER, 750W
55.301.010	01	VAR - 782439 - ALTERNATOR , PULLEY, BELT, INSTALLATION, W/O A/C
55.301.020	01	VAR - 782440 - ALTERNATOR PULLEY, BELT AND BRACKET INSTALLATION, W/ A/C
55.302.010		BATTERY INSTALLATION, STANDARD
55.302.020		BATTERY CABLE INSTALLATION
55.404.010		VAR - 734087 - FRONT LIGHT INSTALLATION
55.404.010	01	FRONT LIGHT ASSEMBLY
55.404.020		DRIVING LIGHTS WASTE HANDLER
55.404.030		VAR - 734088 - FRONT LIGHT INSTALLATION, LED
55.404.040		REAR LIGHT INSTALLATION
55.404.090	01	VAR - 482140 - LICENSE PLATE HOLDER, LIGHT
55.404.110	01	VAR - 734067, 734068 - WORK LIGHT, CAB, 2 FRONT, 2 REAR
55.404.110	02	VAR - 734069 - WORK LIGHT, CAB, 4 FRONT, 2 REAR

TRANSMISSION HARNESS ASSEMBLY



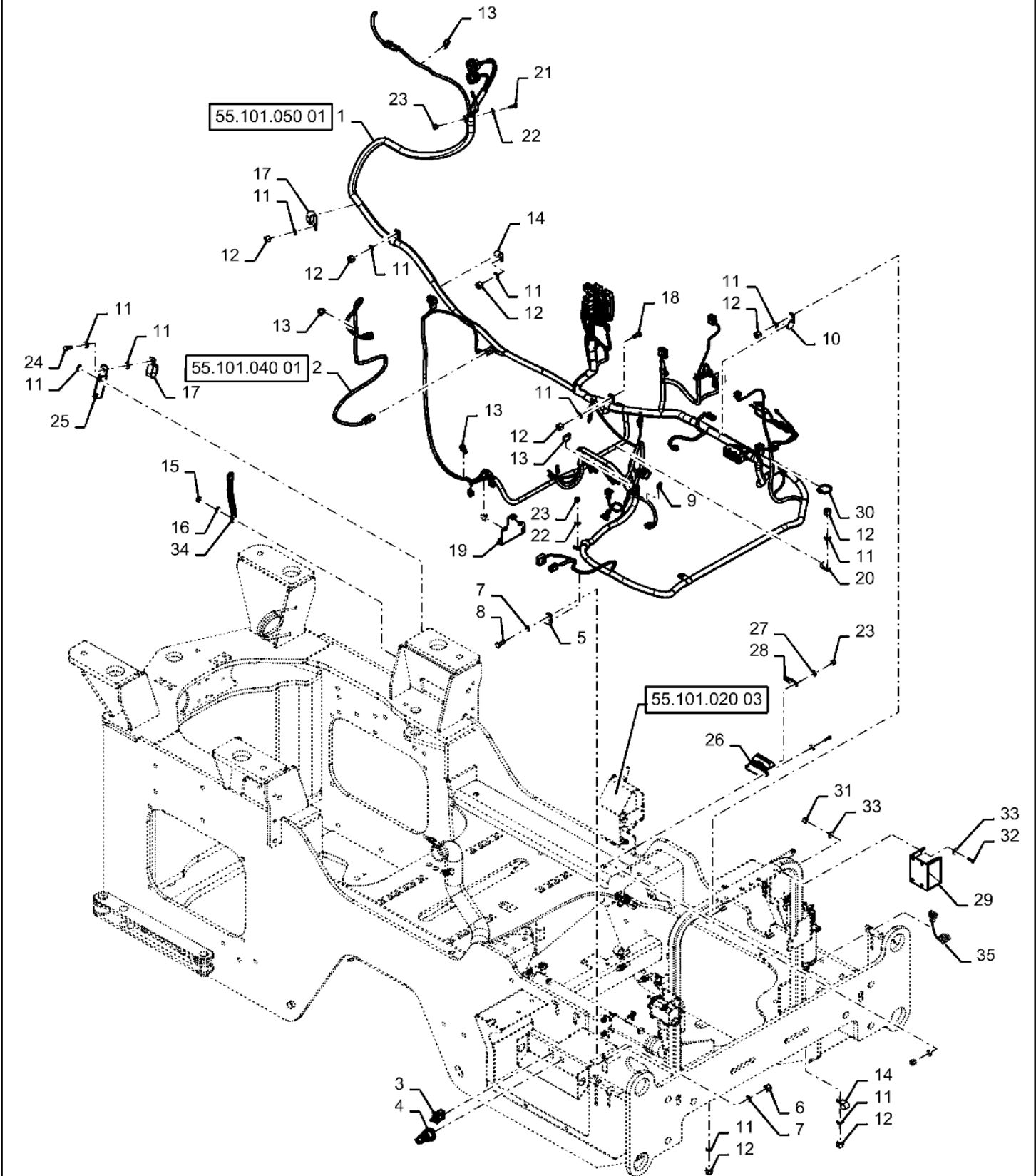
55.101.020

01

p1

6/2019

ENGINE AND REAR CHASSIS HARNESS INSTALLATION



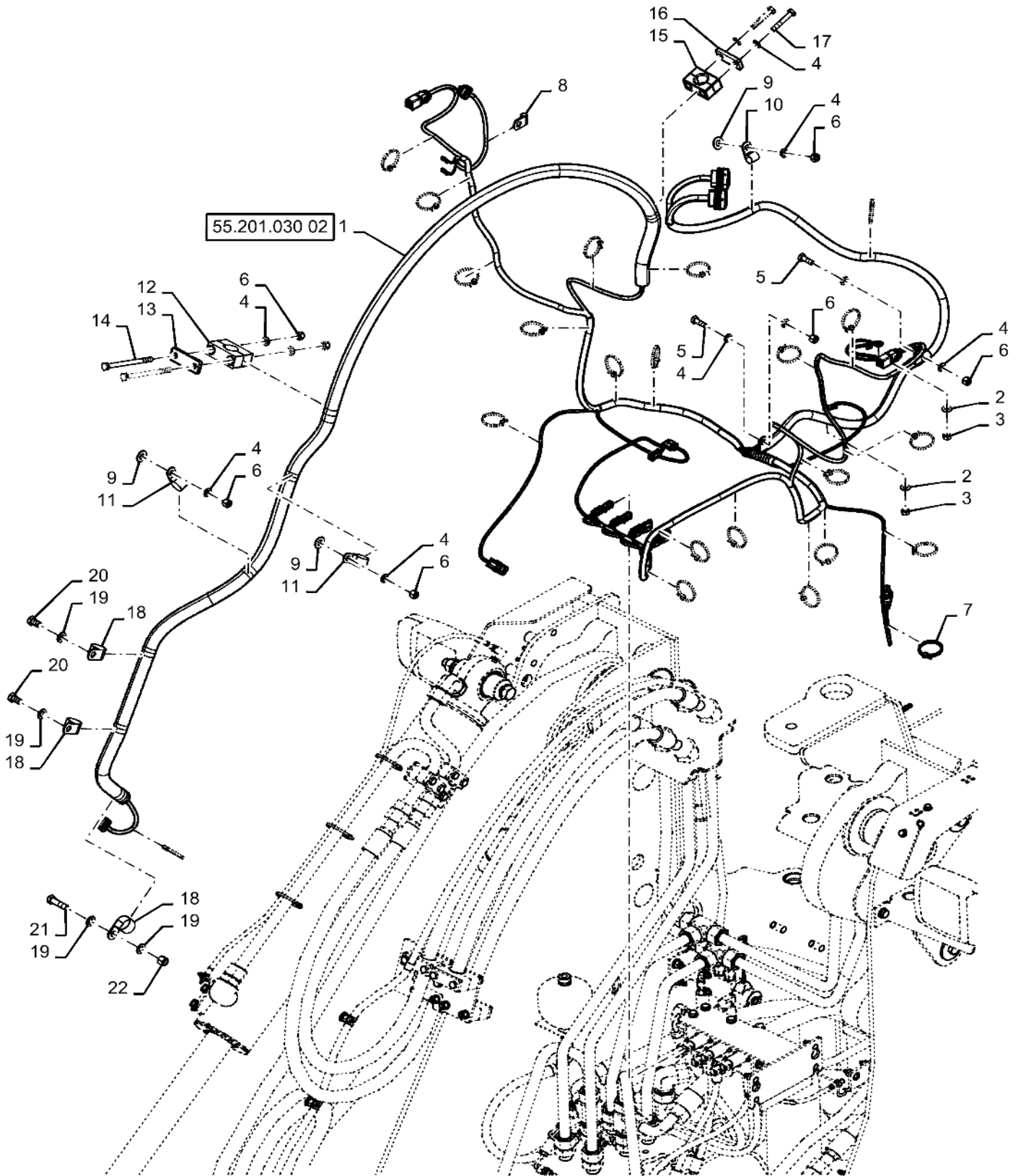
55.101.030

01

p1

6/2019

FRONT CHASSIS HARNESS INSTALLATION, XT



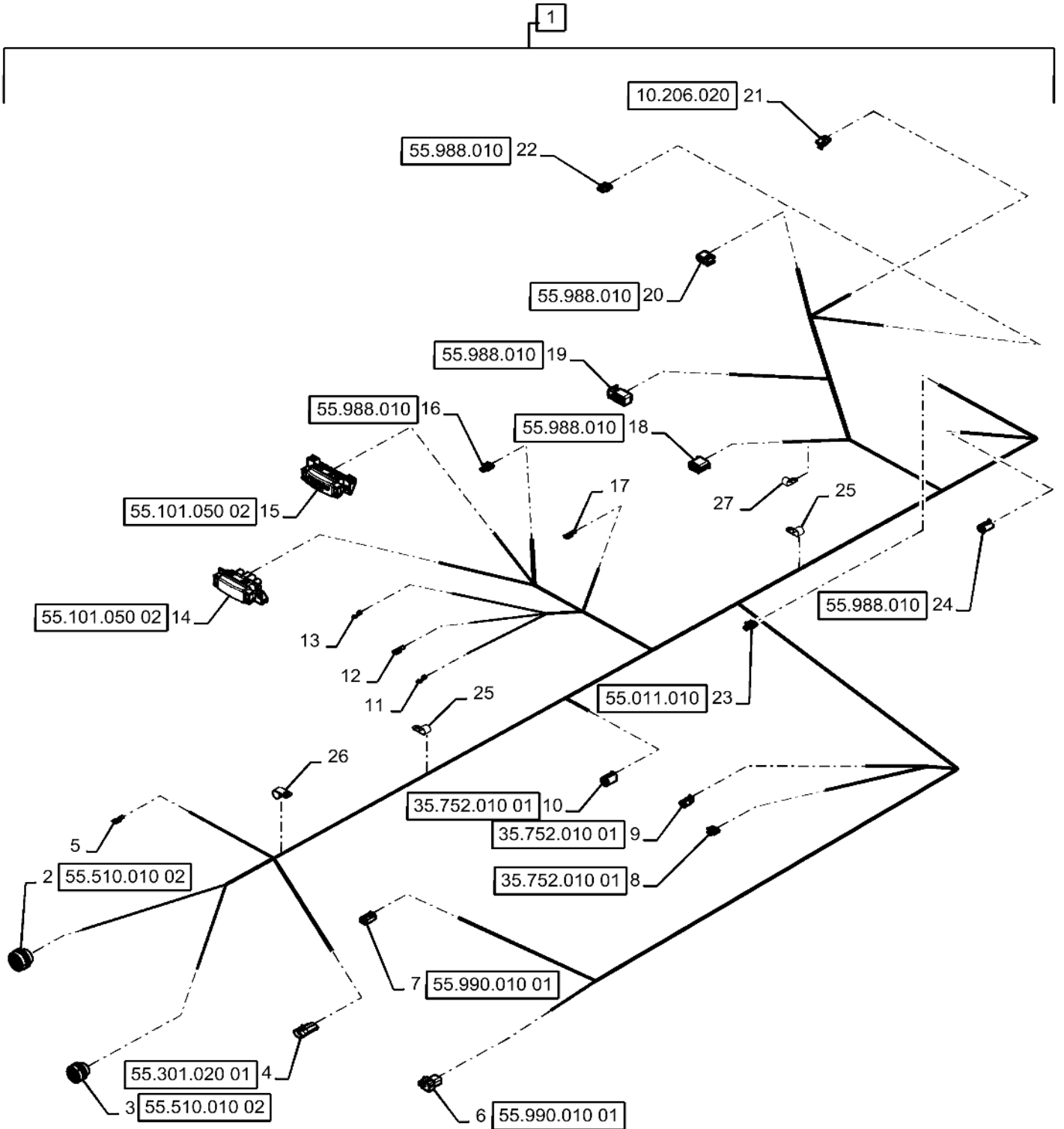
55.101.050

01

p2

6/2019

ENGINE AND REAR CHASSIS HARNESS ASSEMBLY



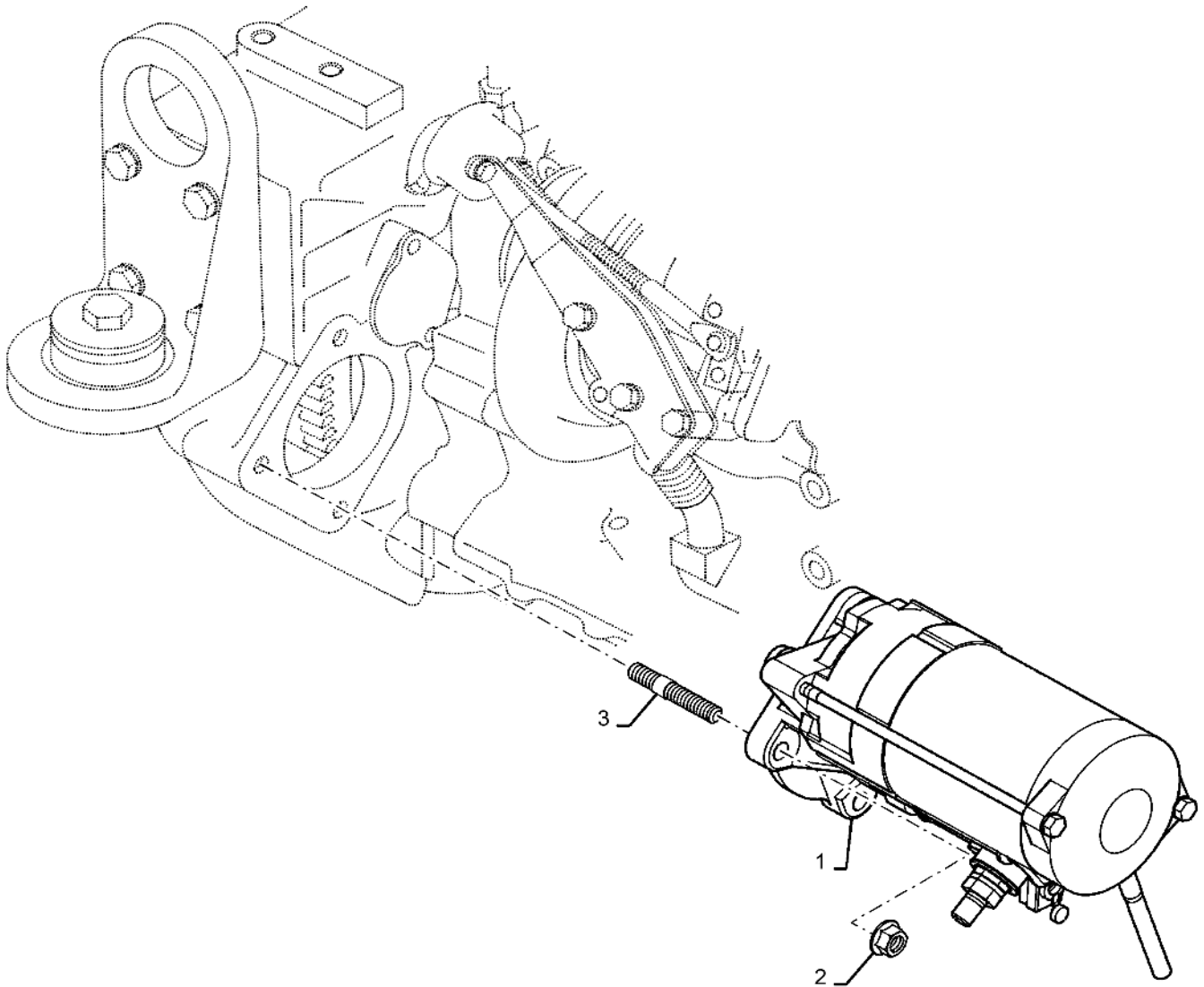
55.201.010

01

p1

6/2019

ENGINE STARTER INSTALLATION



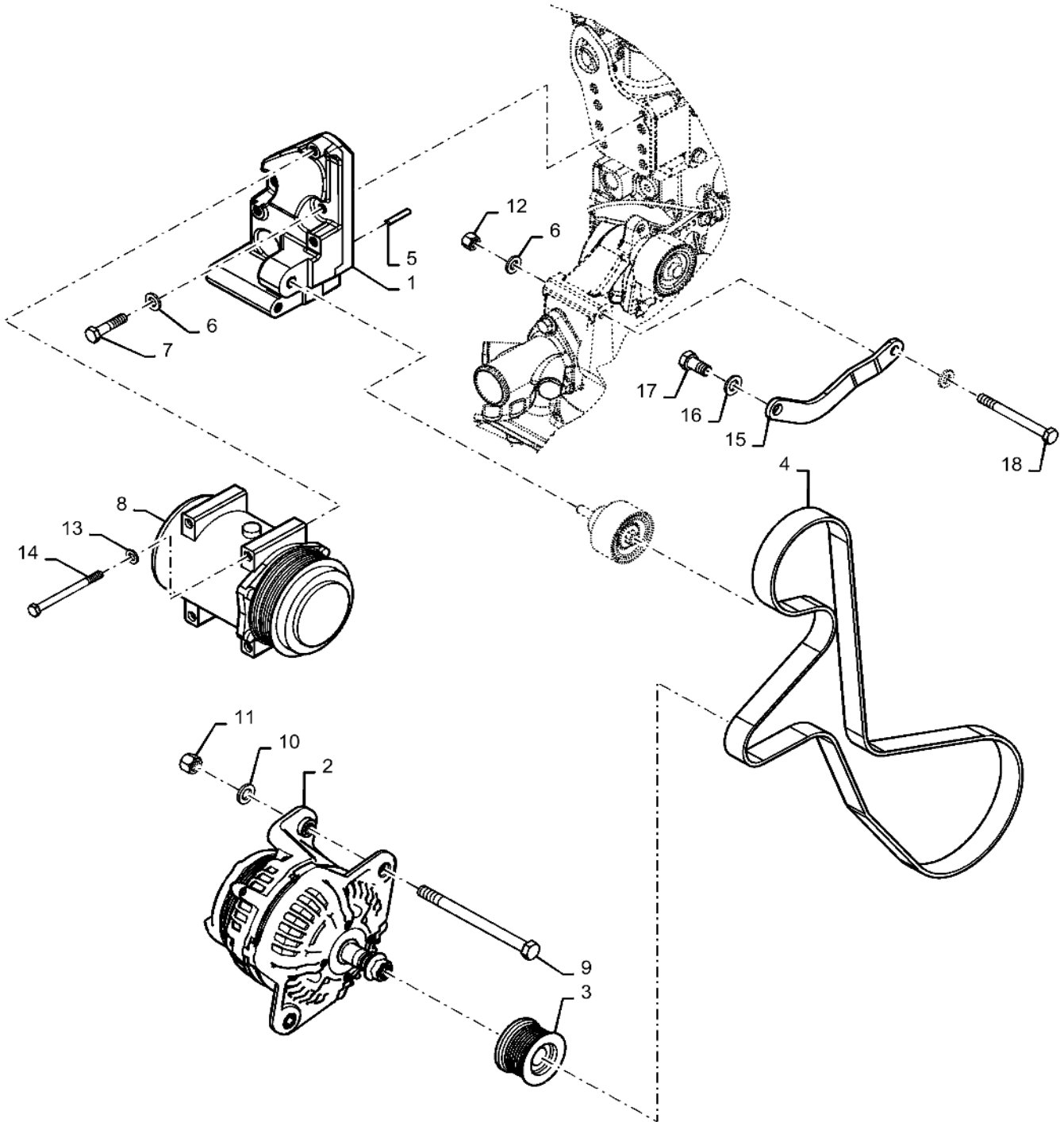
55.301.020

01

p1

6/2019

VAR - 782440 - ALTERNATOR PULLEY, BELT AND BRACKET INSTALLATION, W/ A/C

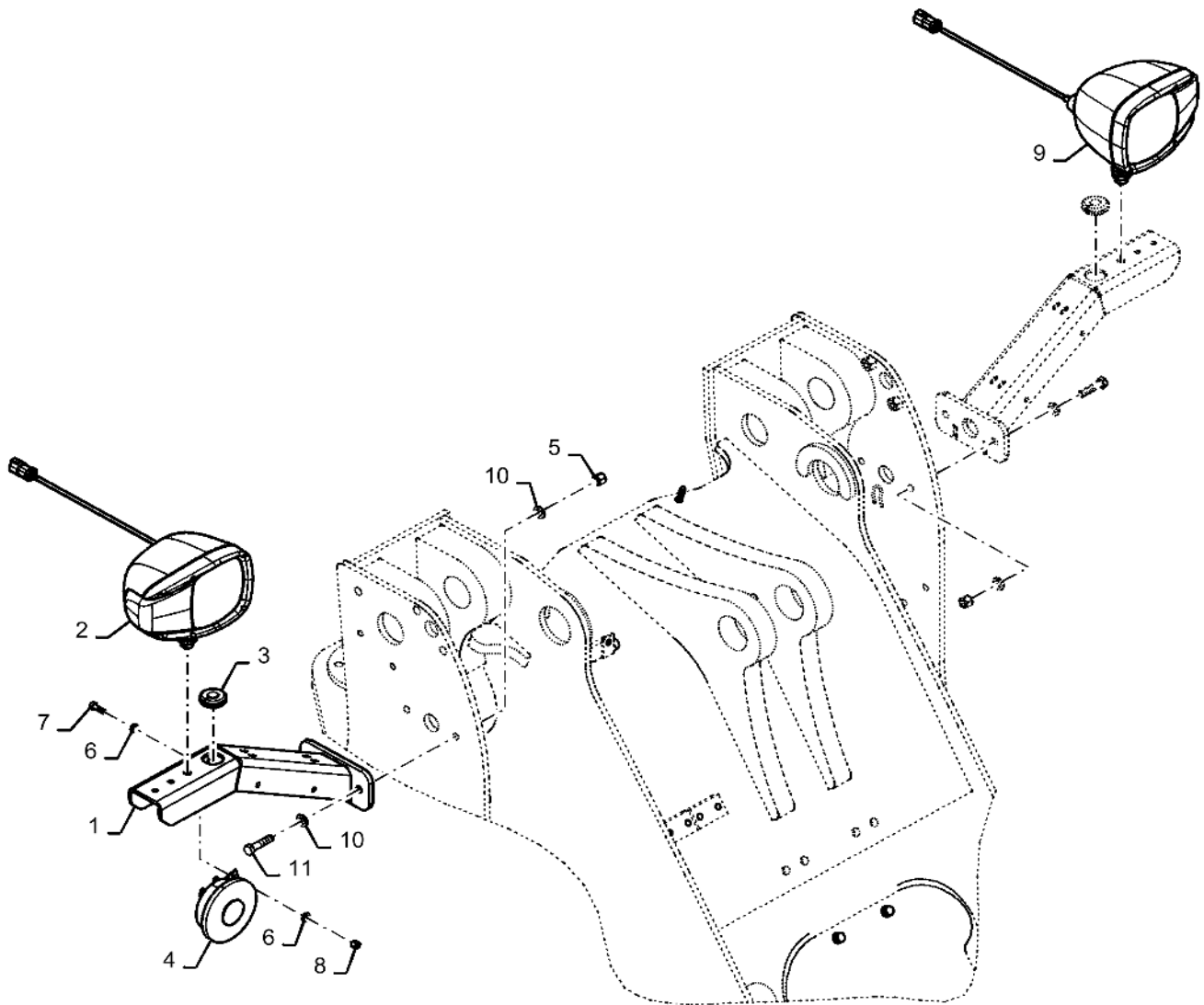


55.404.030

p1

6/2019

VAR - 734088 - FRONT LIGHT INSTALLATION, LED

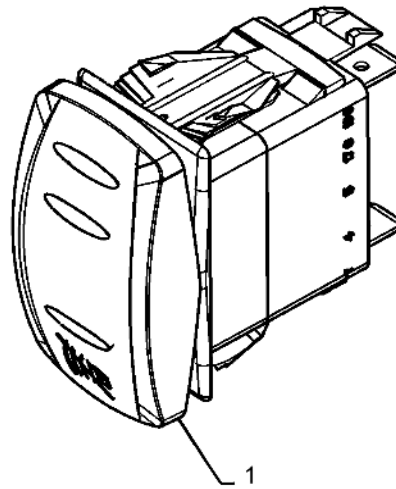


**55.408.010**

p1

6/2019

**BACKUP ALARM SWITCH**



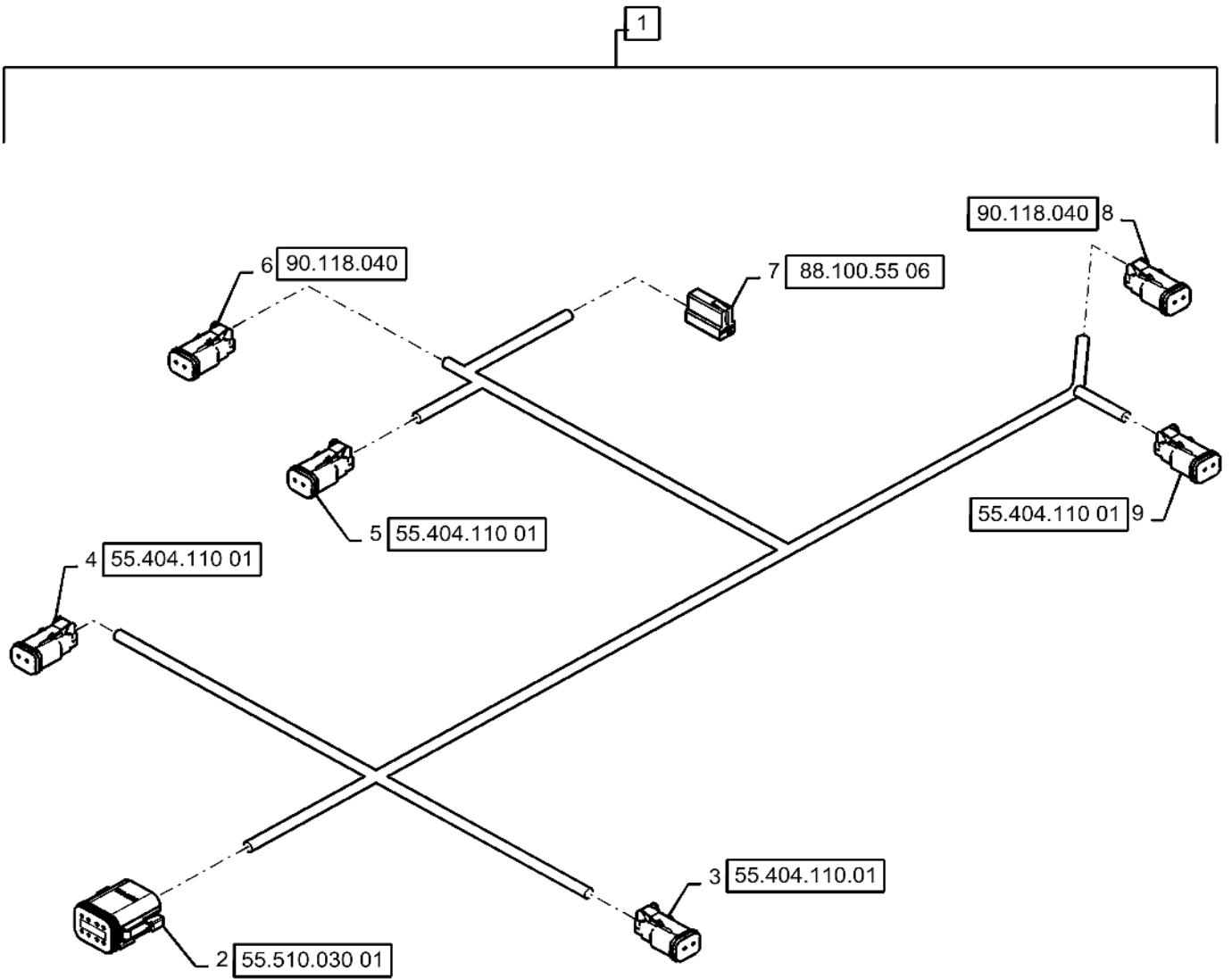
55.510.010

02

p1

6/2019

CAB ROOF HARNESS ASSEMBLY



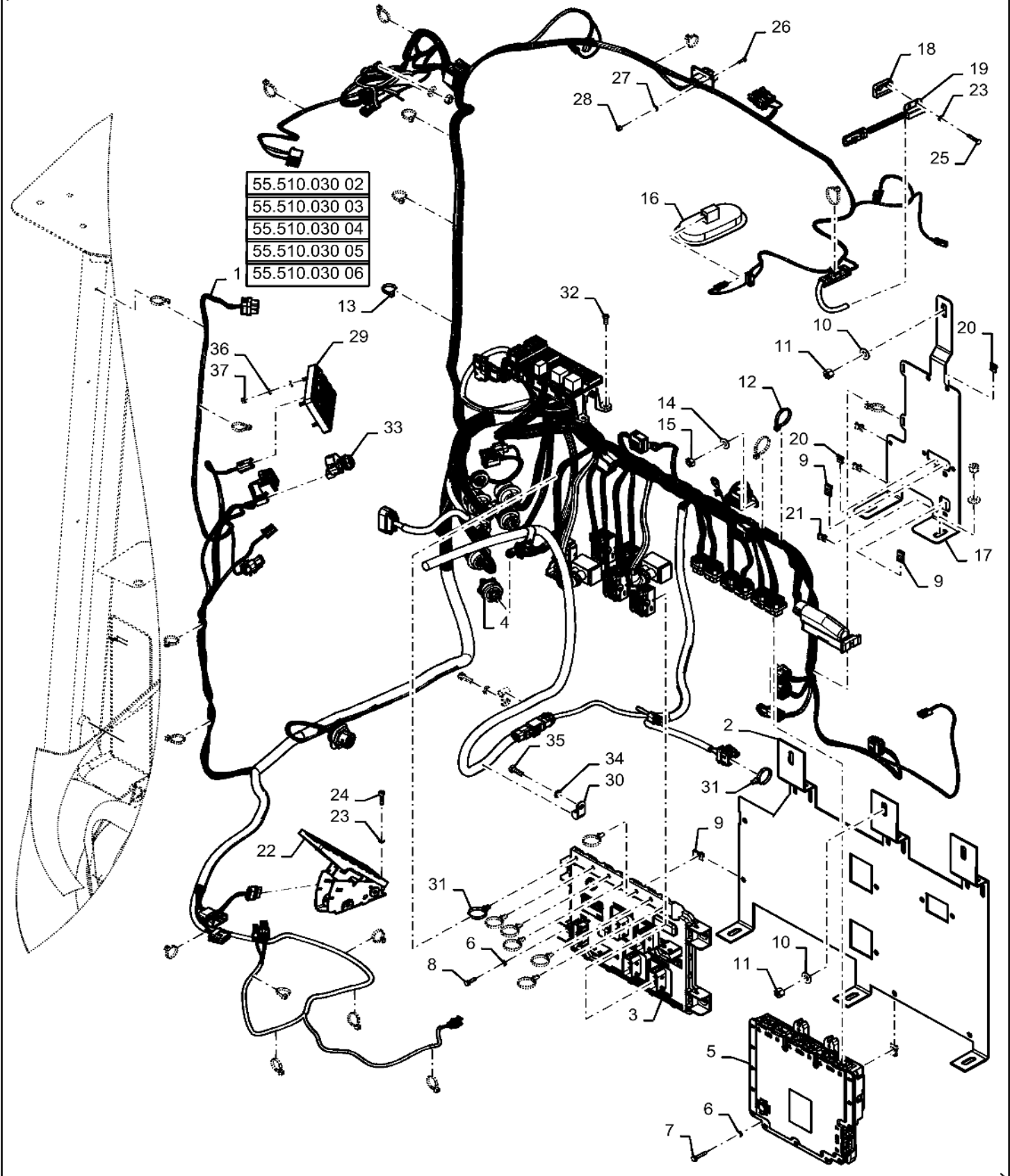
55.510.030

01

p2

6/2019

CAB MAIN WIRE HARNESS INSTALLATION



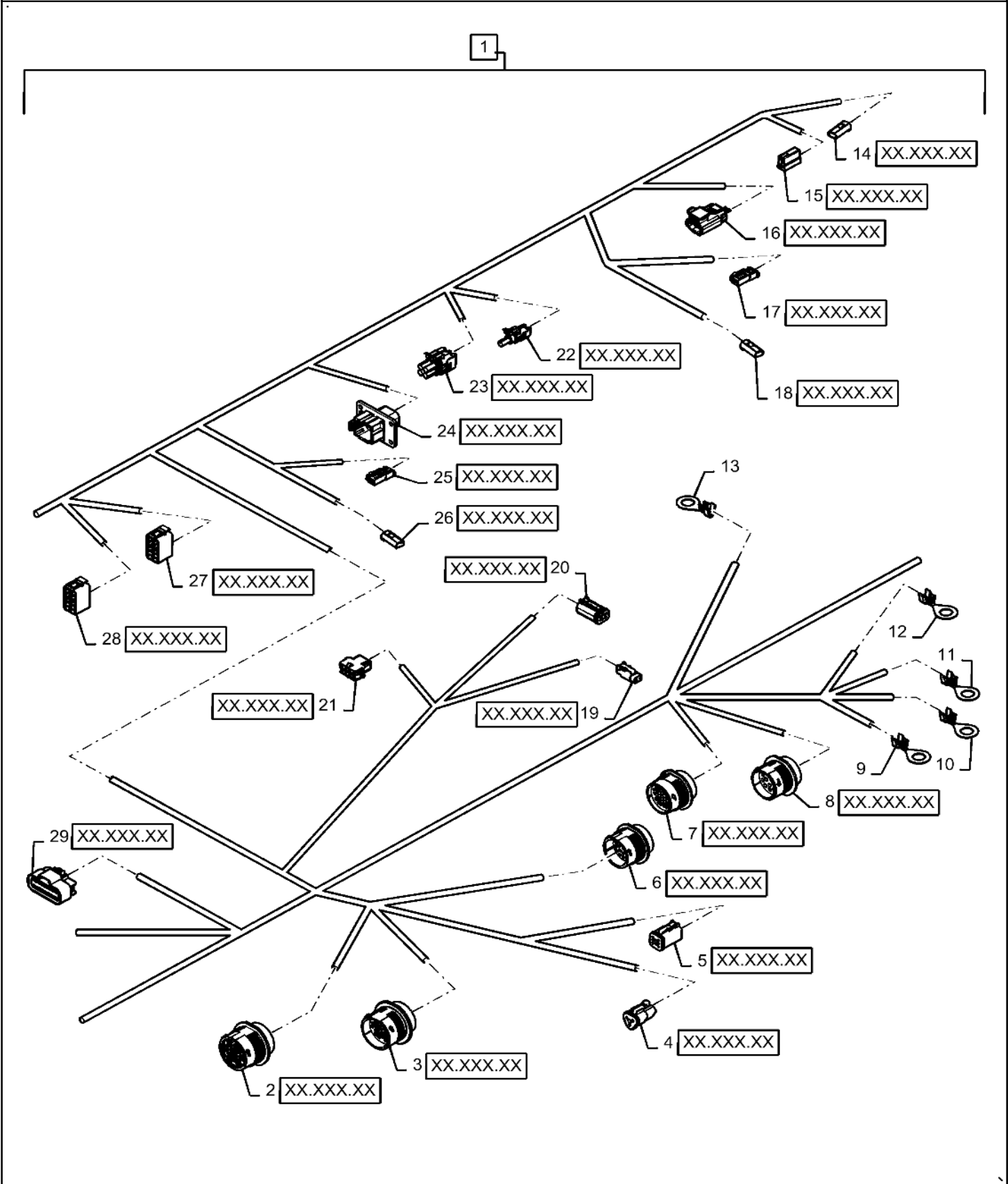
55.510.030

04

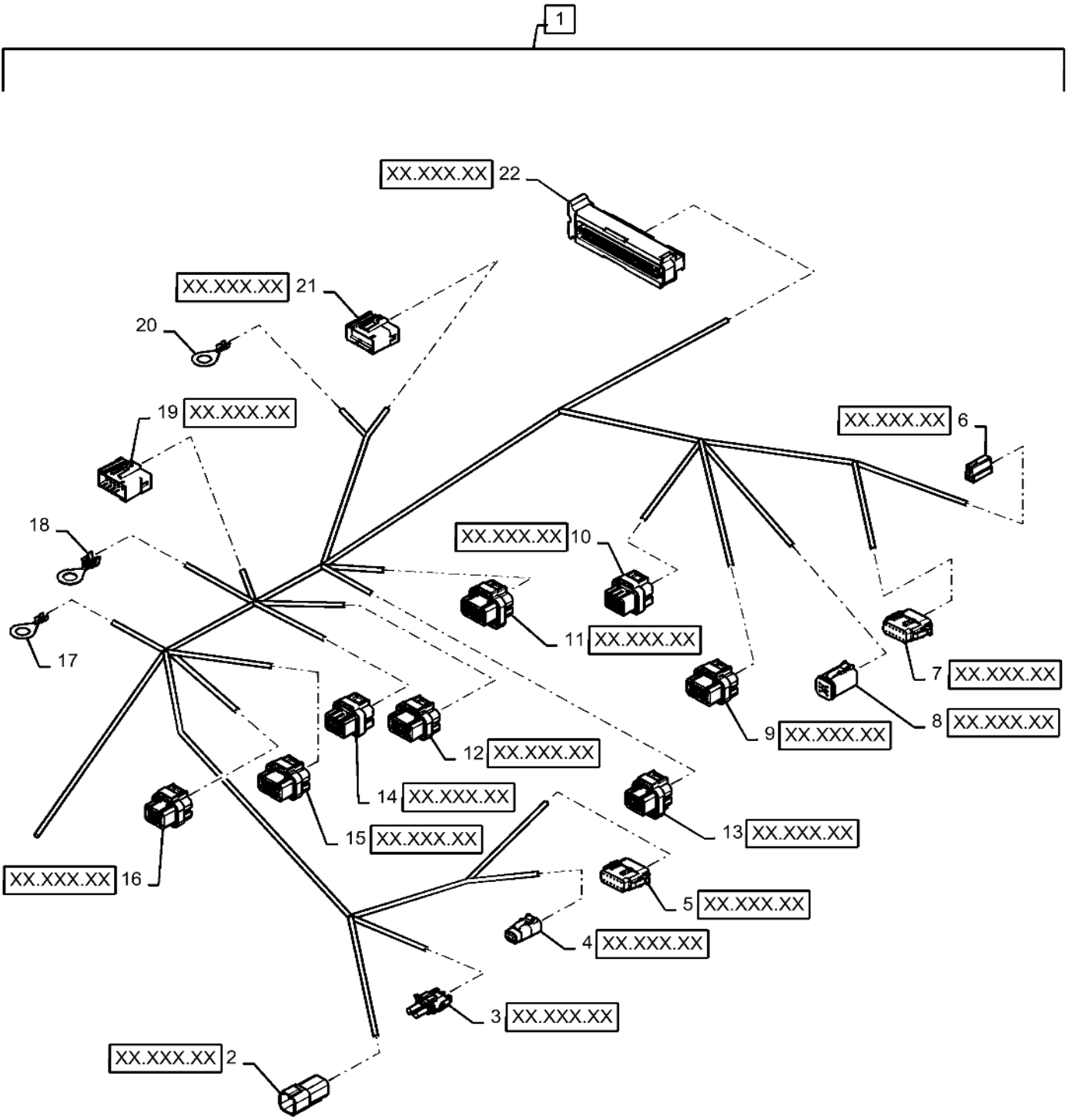
p2

6/2019

CAB MAIN WIRE HARNESS ASSEMBLY



CAB MAIN WIRE HARNESS ASSEMBLY



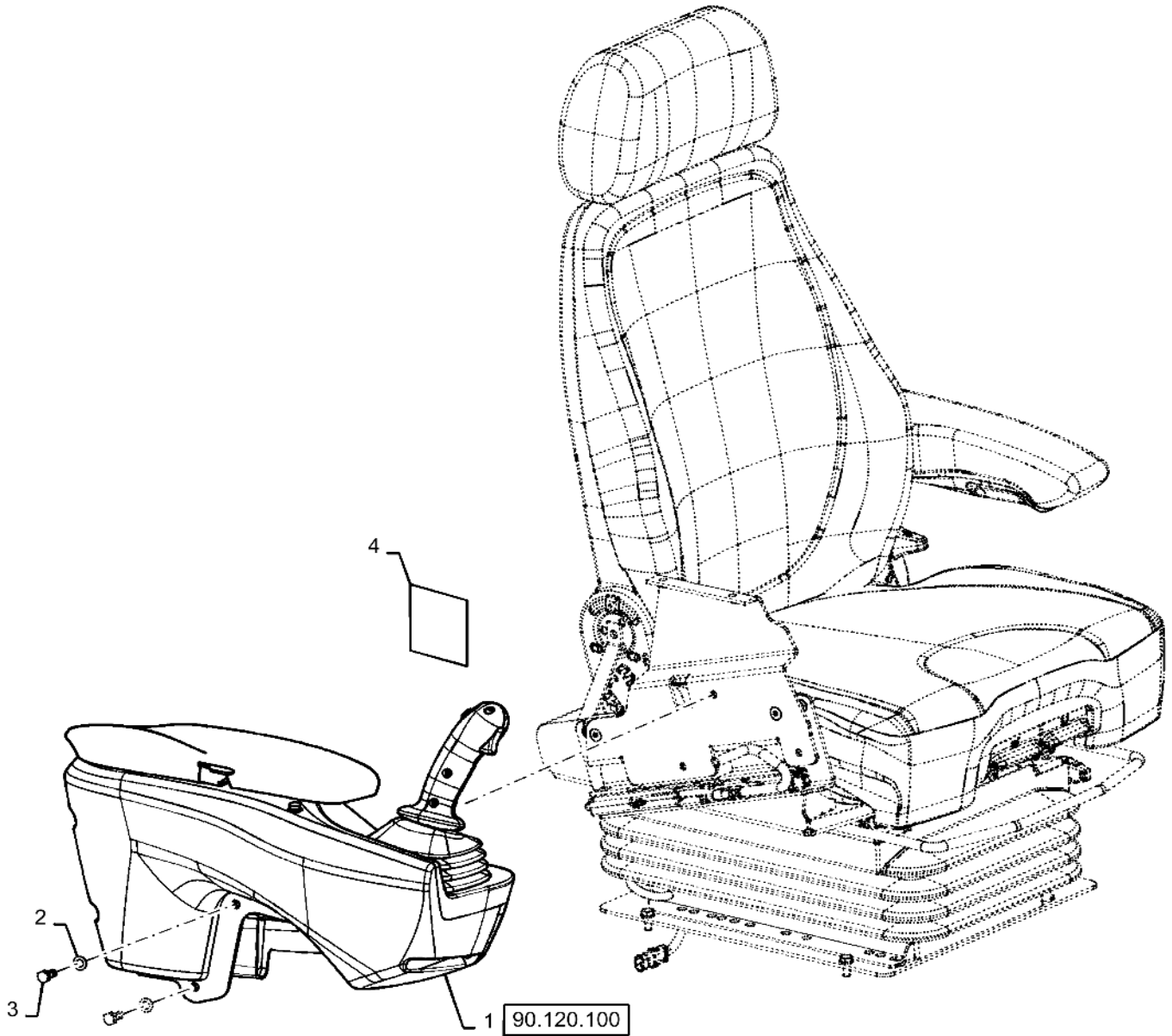
**55.512.040**

01

p1

6/2019

VAR - 734052 - JOYSTICK, CONTROL - 2 LEVER - EH



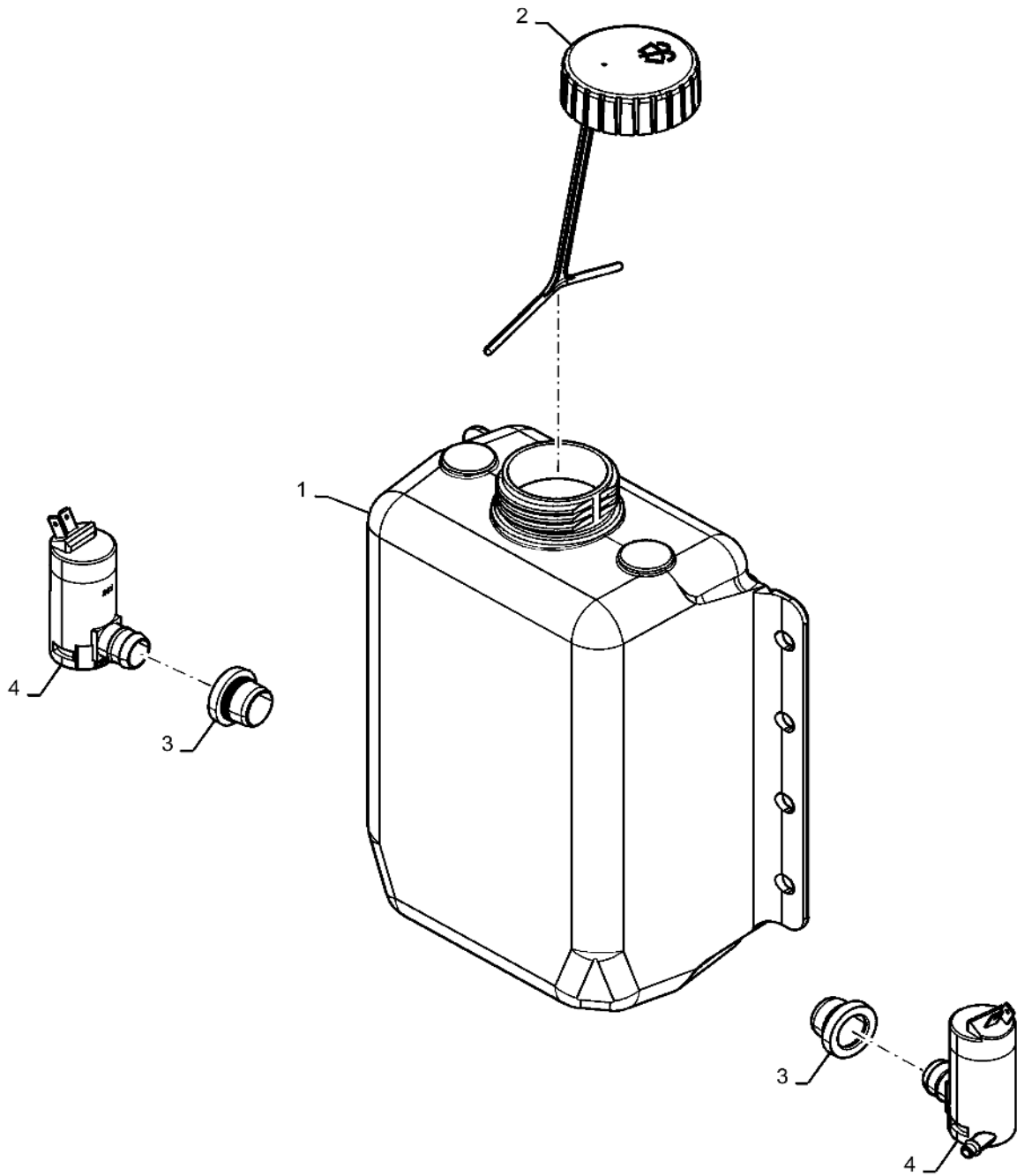
55.518.020

01

p1

6/2019

VAR - 734065 - WASHER BOTTLE ASSEMBLY



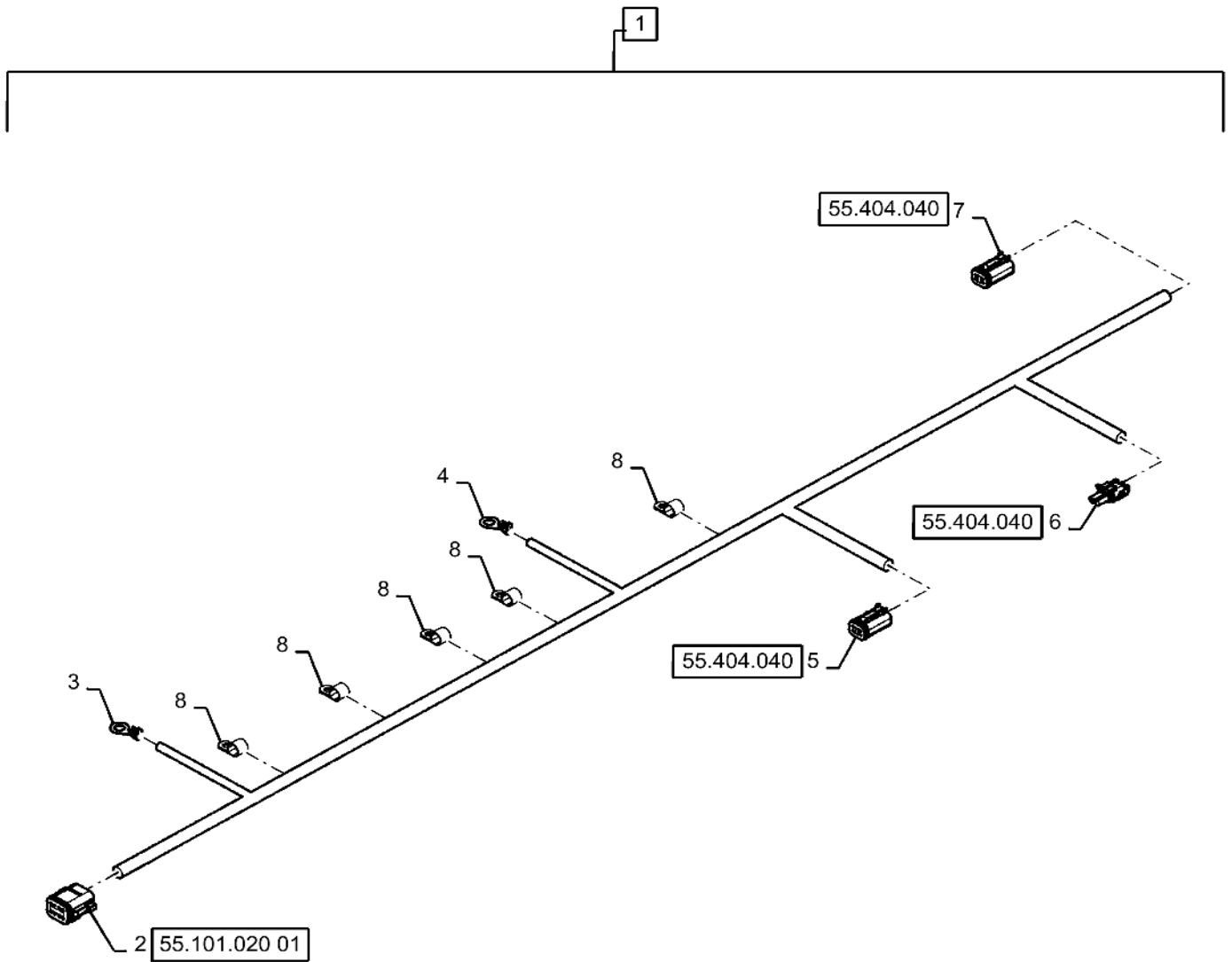
55.990.010

02

p1

6/2019

HOOD HARNESS ASSEMBLY

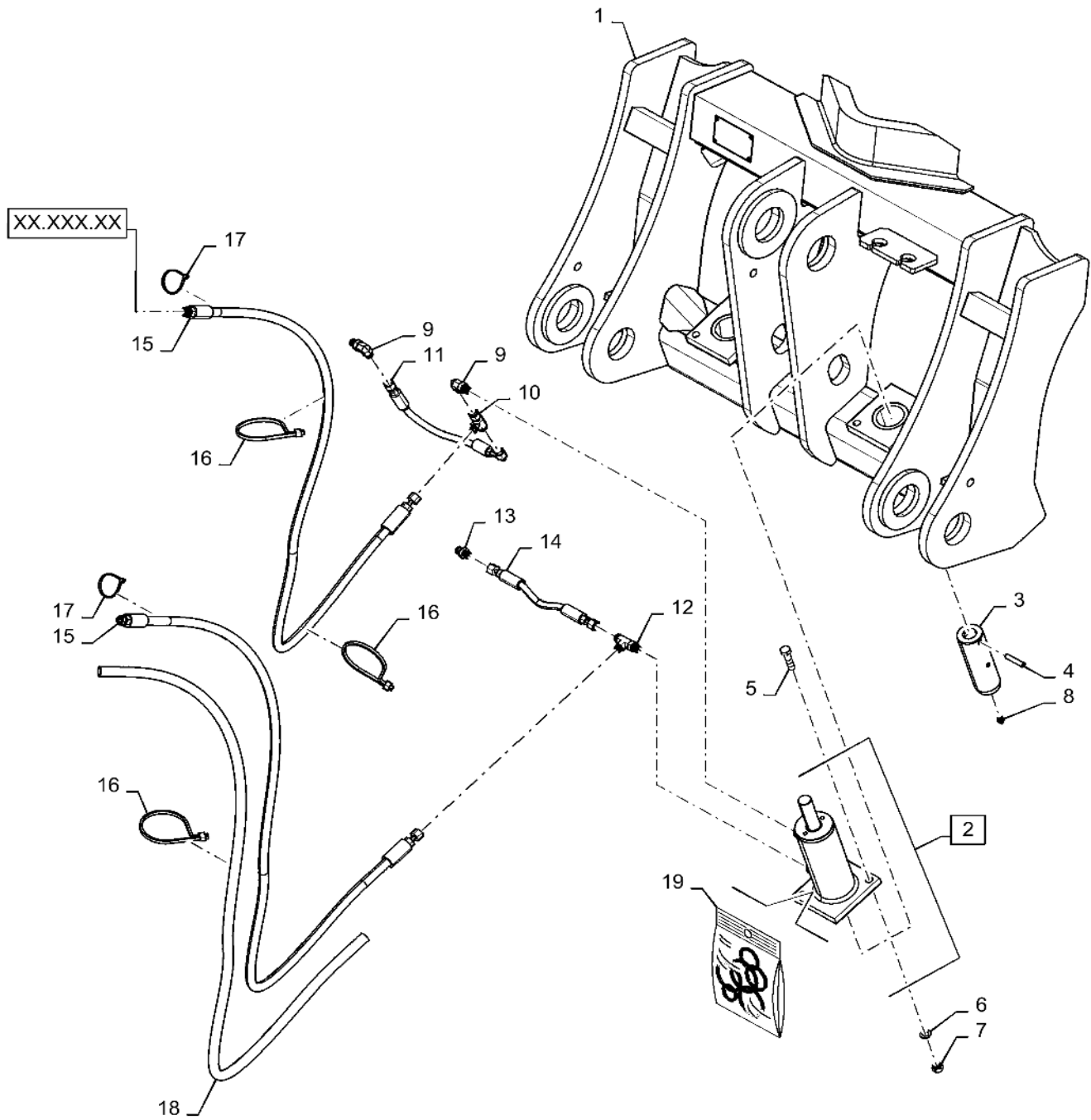


82.100.040

p1

6/2019

VAR - 734006, 734008, 734009 - ACS QUICK COUPLER

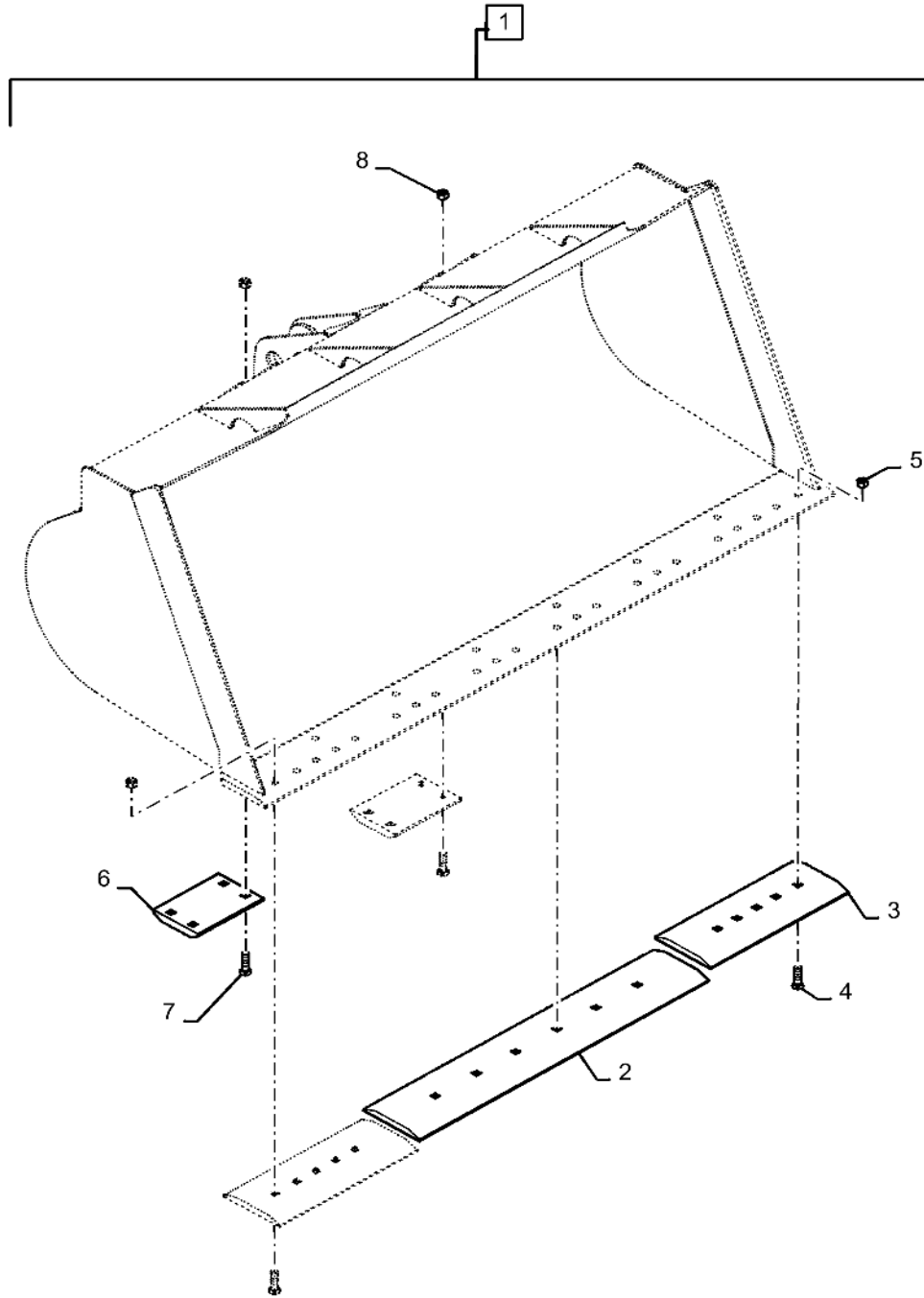


82.300.020

p1

6/2019

VAR - 482396 - BUCKET, 3.0 CU YD



---

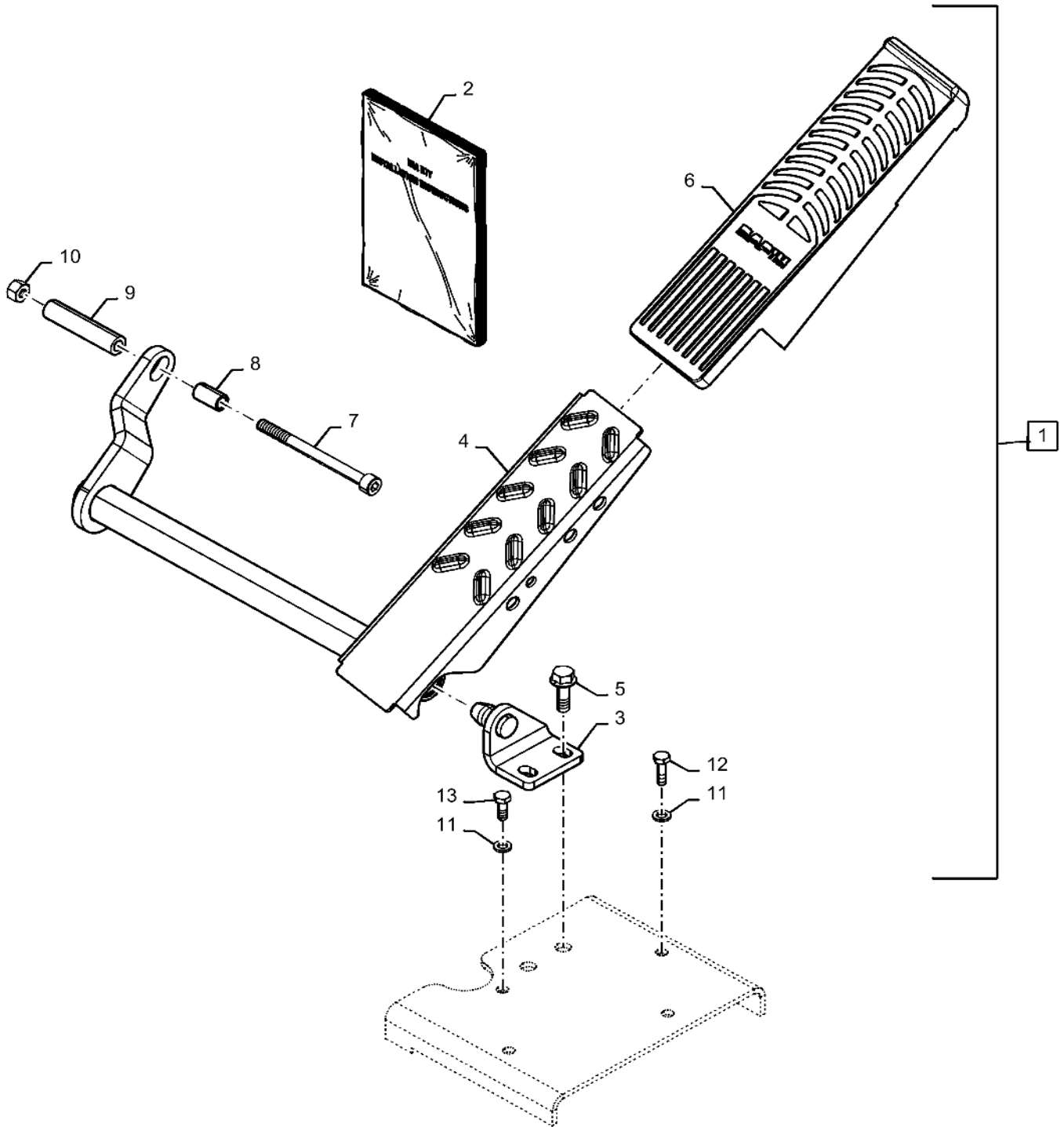
SECTION INDEX

ACCESSORIES

---

88.130.20	18	KIT, ACCESSORIES, LINE ZBAR
88.130.20	19	KIT , ACCESSORIES, LINE XR/LR

DIA KIT, SECTION INDEX - BRAKES & CONTROLS



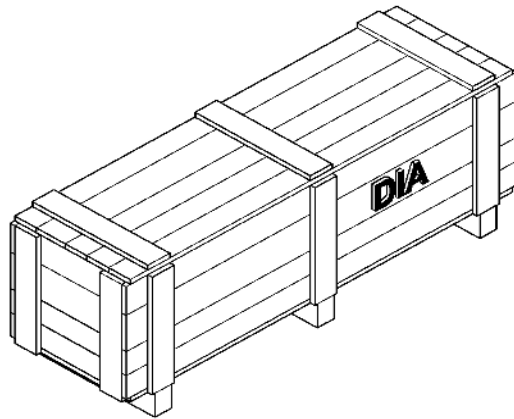
**88.100.35**

03

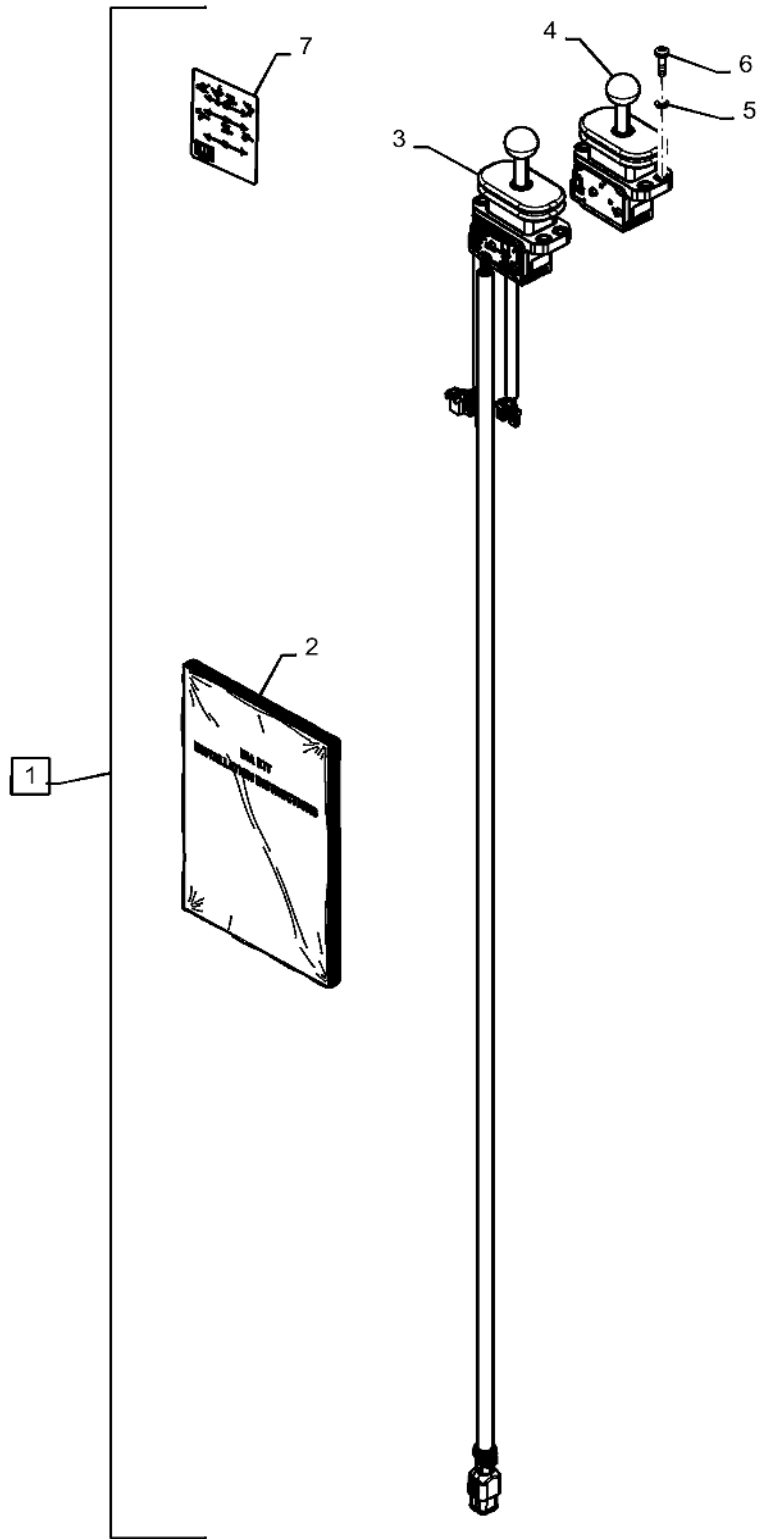
p1

6/2019

DIA KIT, ACCESSORY LINE, Z - BAR



DIA KIT, 2 FUNCTION LEVER TO 3 FUNCTION LEVER CONVERSION KIT



**88.100.35**

14

p1

6/2019

DIA KIT, 3 FN JOYSTICK TO 4 FN JOYSTICK CONVERSION KIT

51516871 88.130.20 13

48024944 88.130.20 14

47930678 88.130.20 15

88.100.35

20

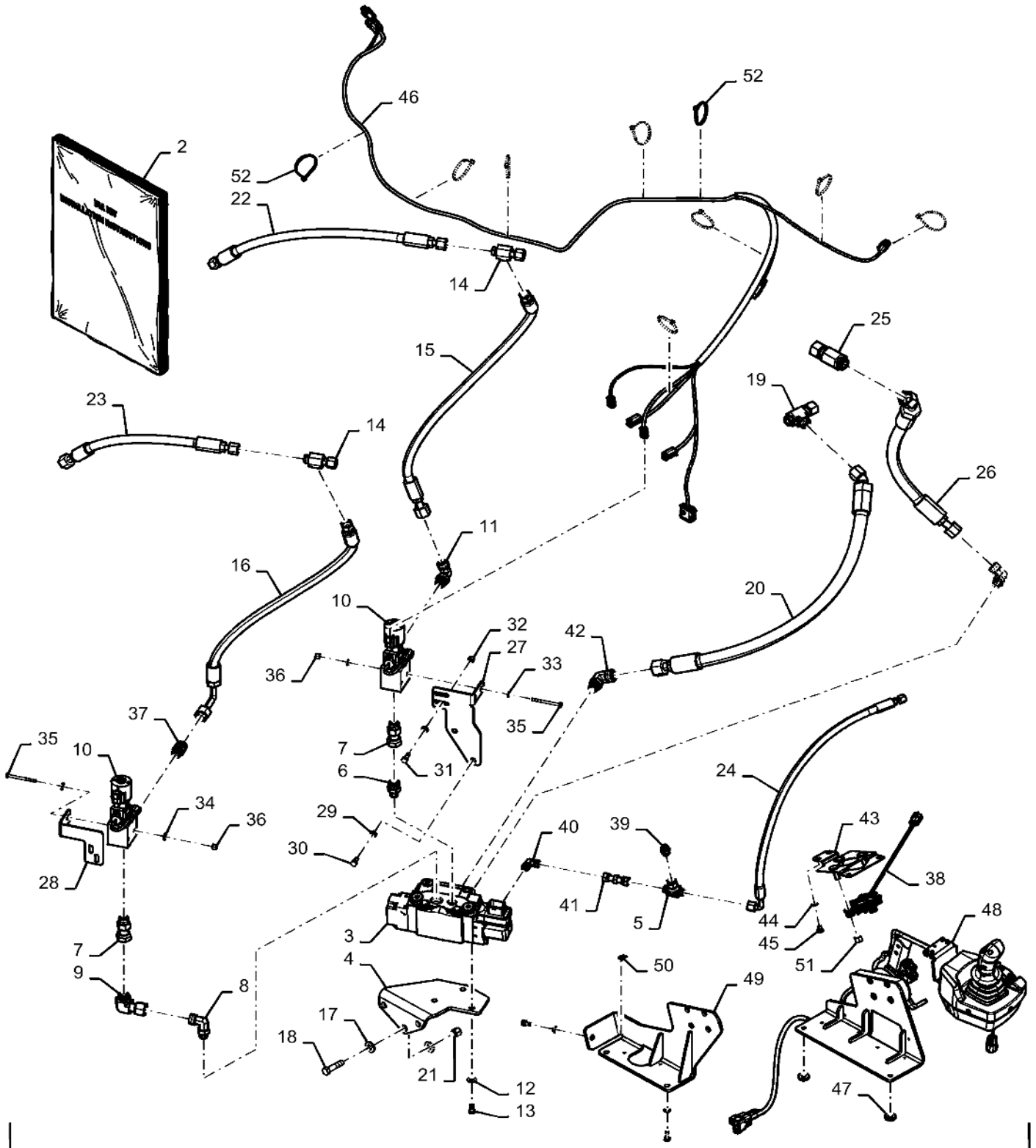
p1

6/2019

DIA KIT, LOCKING HYDRAULICS - Z-BAR / XR



DIA KIT, JOYSTICK STEERING WITH SECONDARY ELECTRICAL STEERING



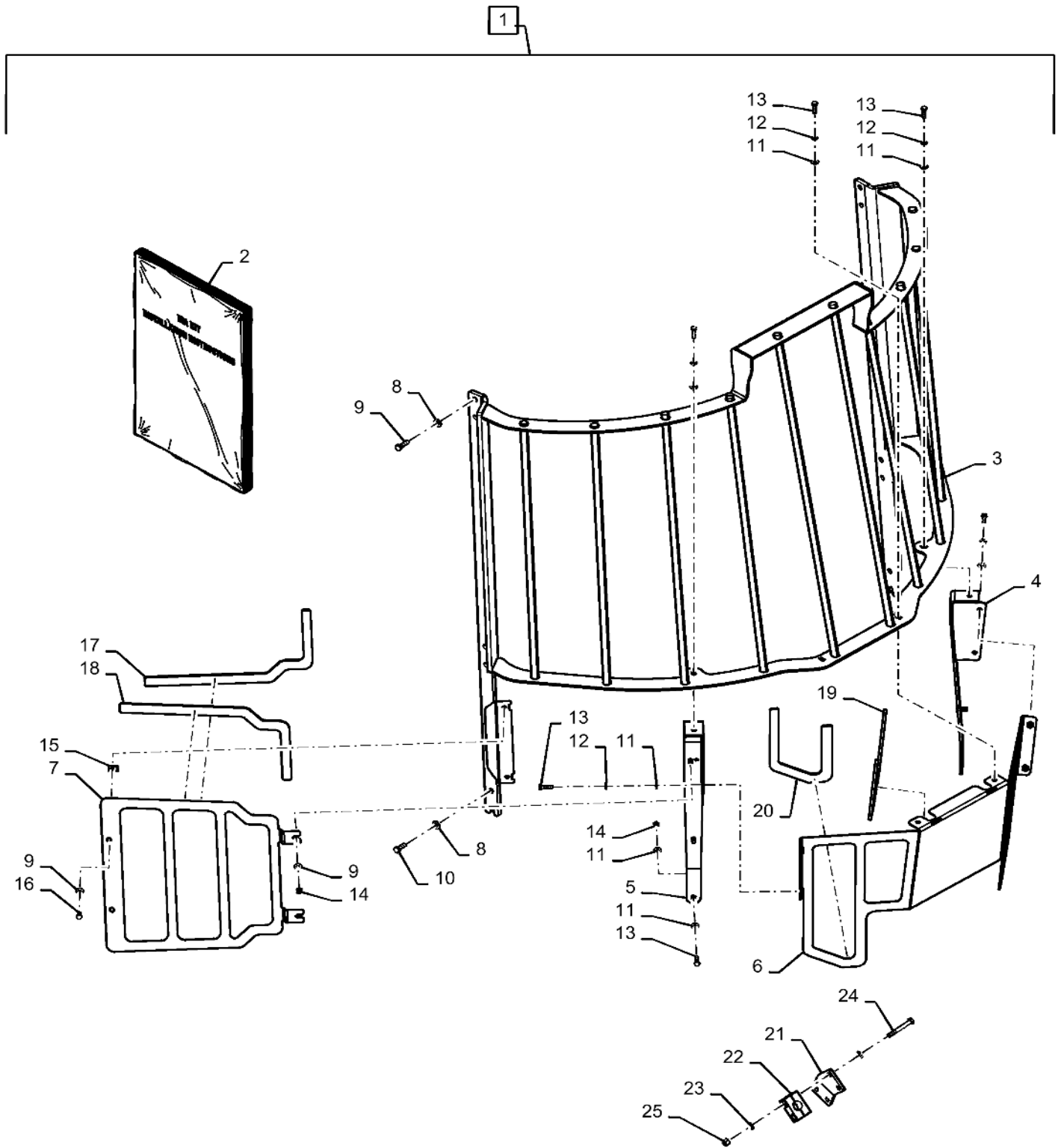
88.100.39

07

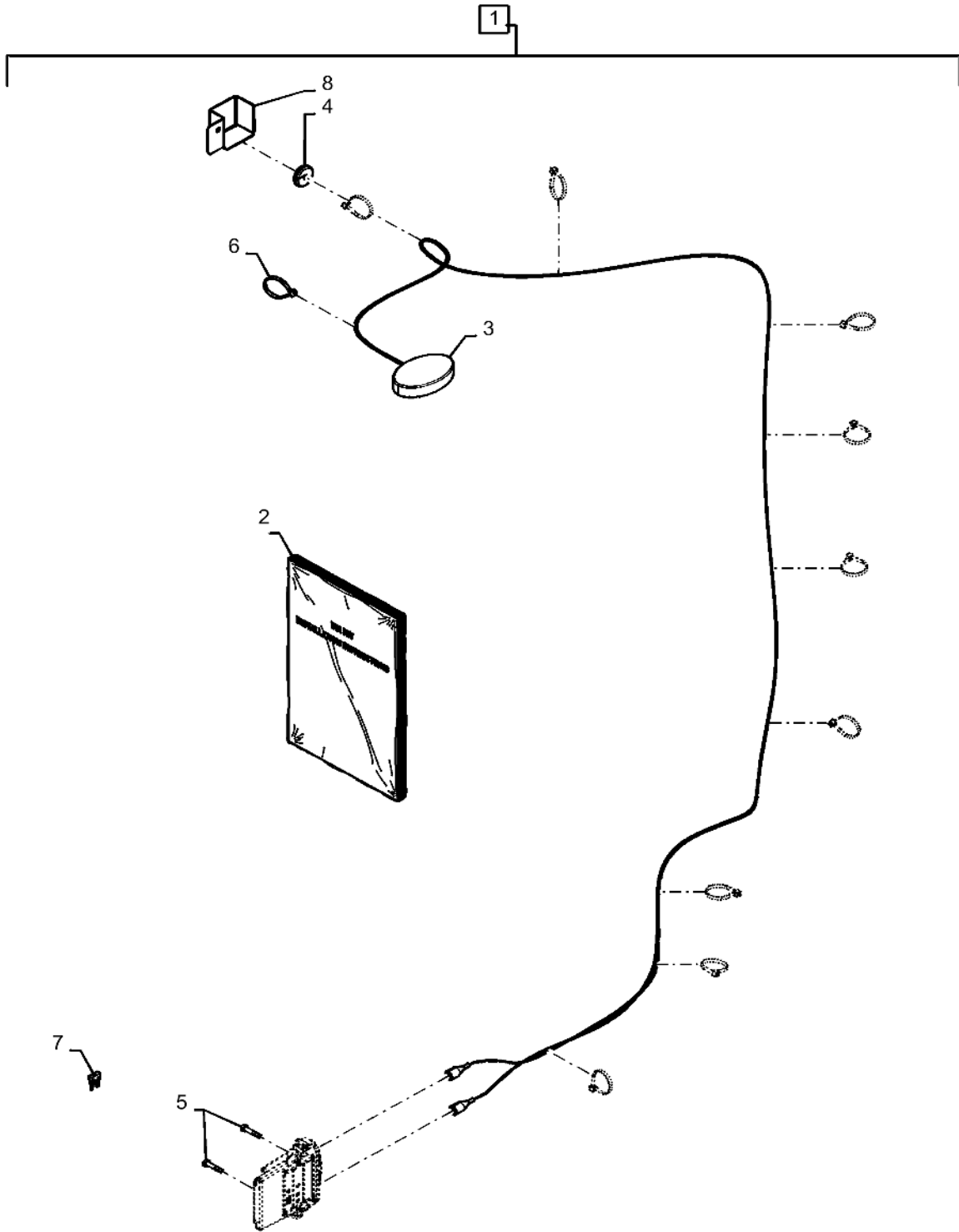
p1

6/2019

DIA KIT, WINDSHIELD GUARD, ZB/XR



DIA KIT, TELEMATIC SYSTEM



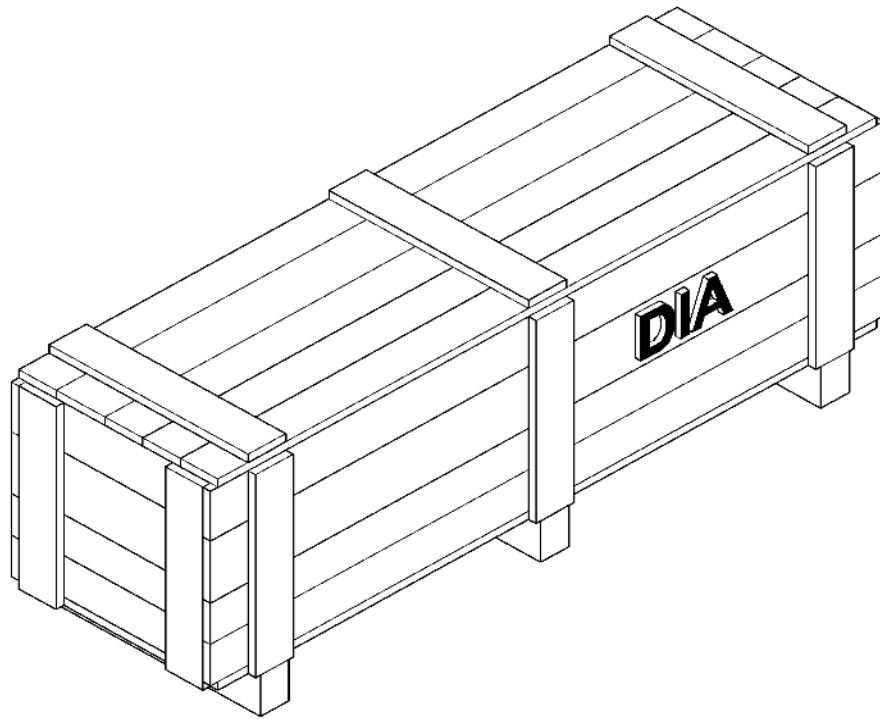
**88.100.82**

01

p1

6/2019

DIA KIT, ACS COMP XT COUPLER



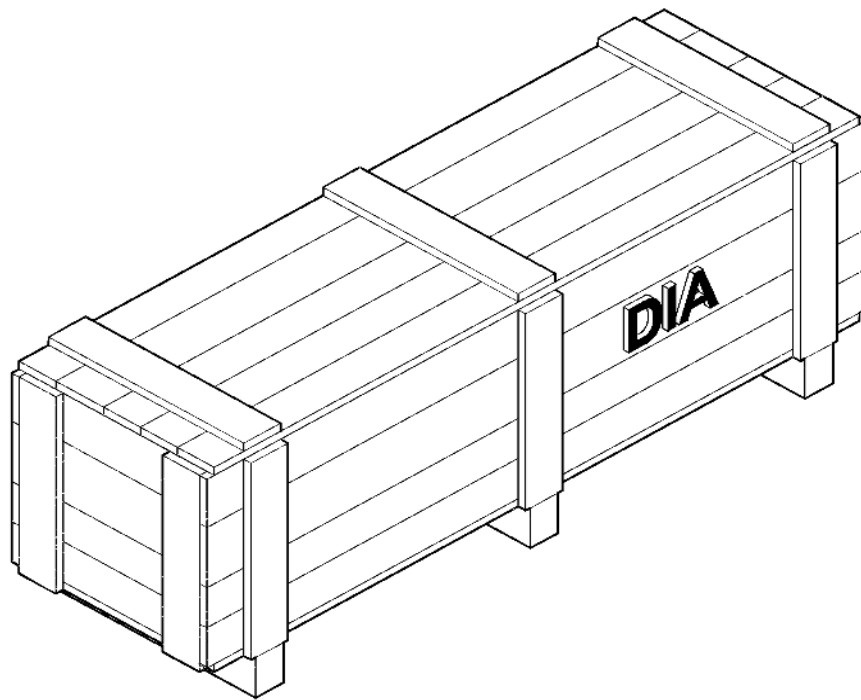
**88.130.20**

04

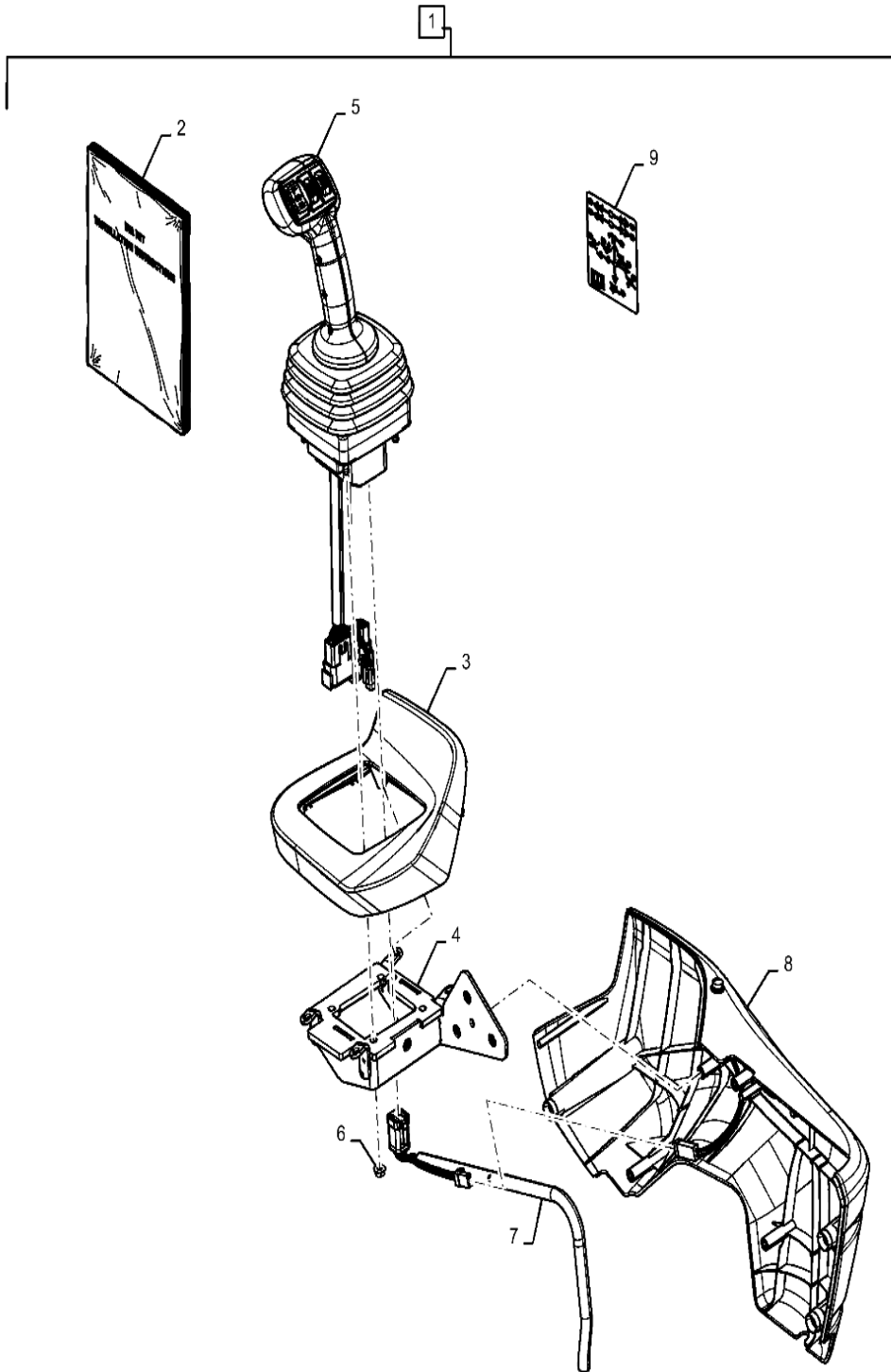
p1

6/2019

KIT, SPOOL ADD PL10\12



DIA KIT, JOYSTICK, LEVER FFN EH



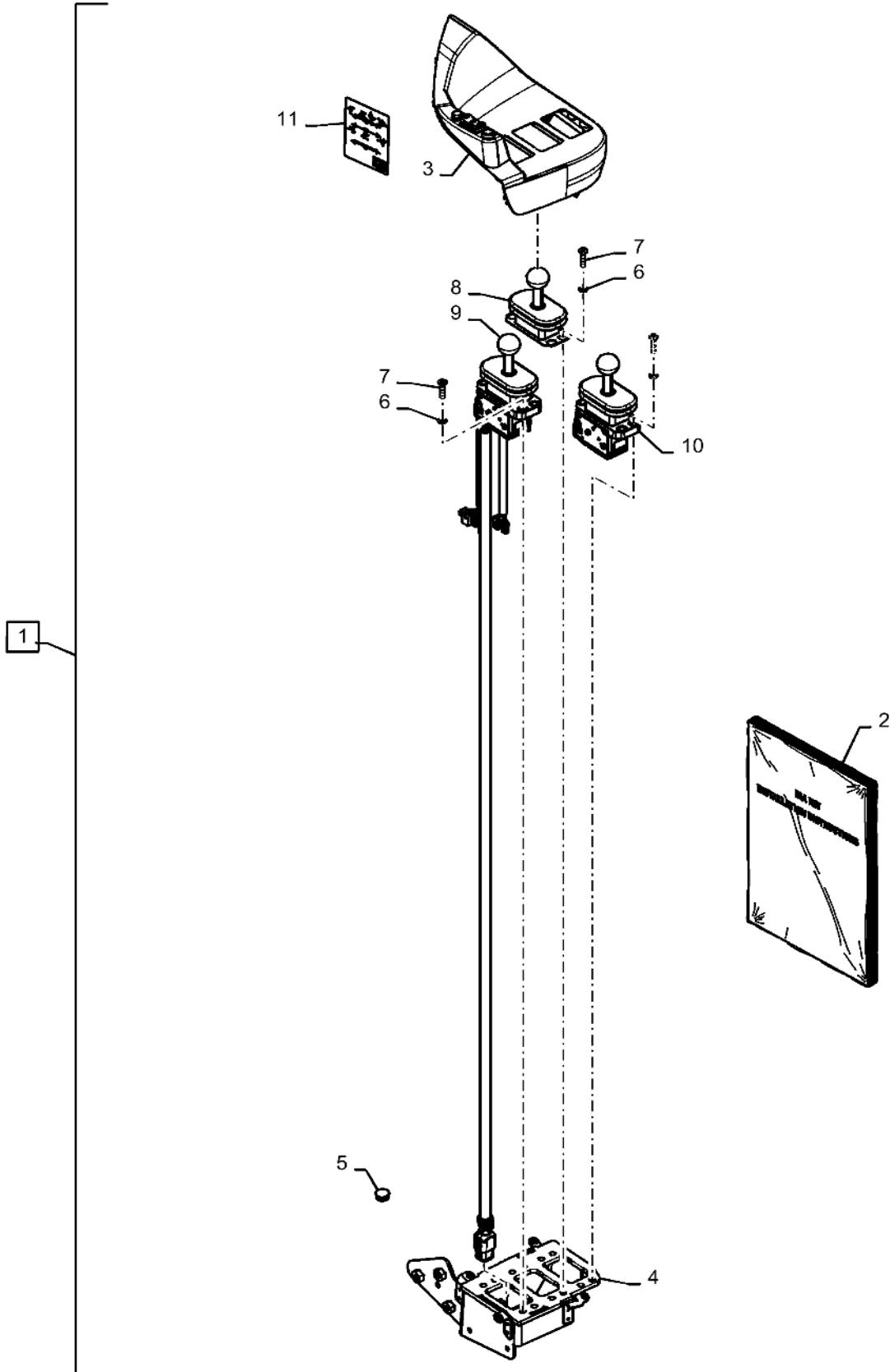
88.130.20

16

p1

6/2019

DIA KIT, JOYSTICK, LEVER 3FN EH



00.000.90

02

p1

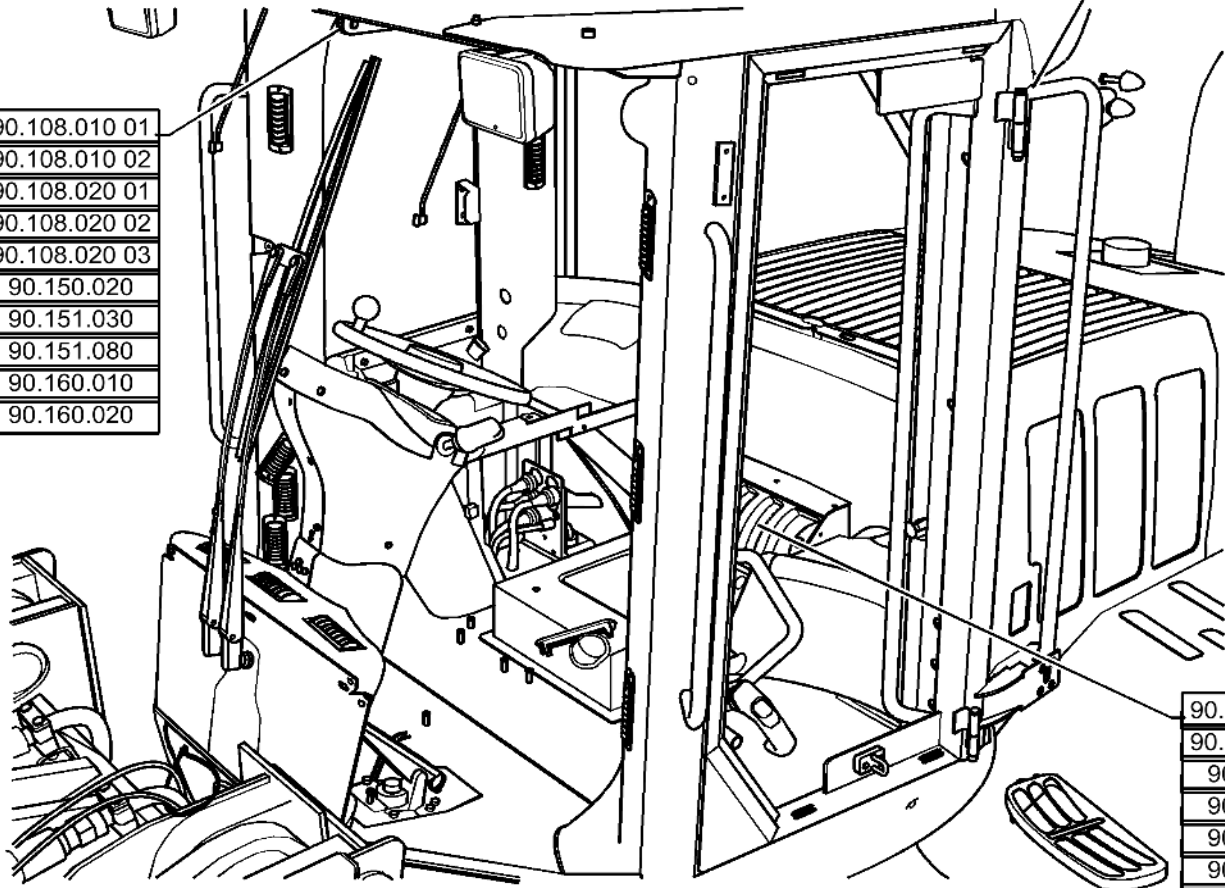
6/2019

PICTORIAL INDEX - PLATFORM, CAB, BODYWORK AND DECALS

90.150.030

- 90.108.010 01
- 90.108.010 02
- 90.108.020 01
- 90.108.020 02
- 90.108.020 03
- 90.150.020
- 90.151.030
- 90.151.080
- 90.160.010
- 90.160.020

- 90.120.010 01
- 90.120.040 01
- 90.120.050
- 90.120.060
- 90.120.070
- 90.120.080
- 90.120.090
- 90.120.100
- 90.120.110
- 90.120.120
- 90.120.130
- 90.120.140
- 90.124.010 01
- 90.150.010
- 90.151.010 01
- 90.151.020 01
- 90.151.040
- 90.151.050
- 90.151.060
- 90.151.070

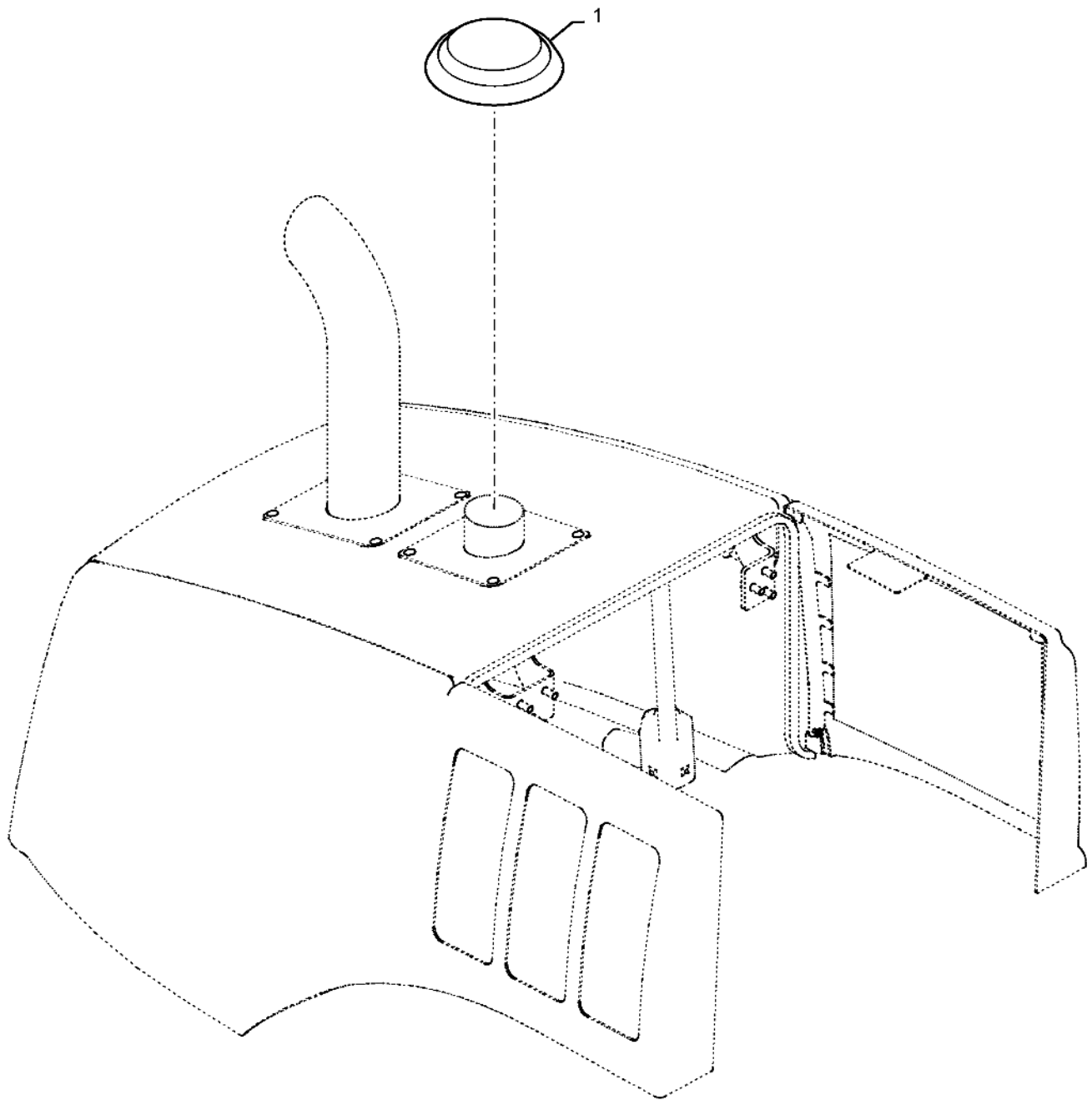


90.100.030

p1

6/2019

VAR - 424223 - RAIN CAP



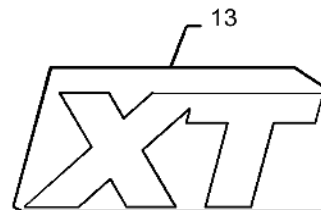
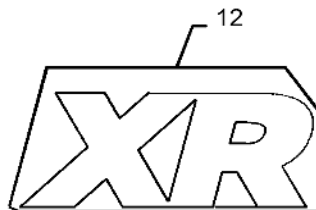
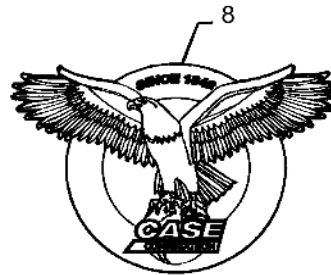
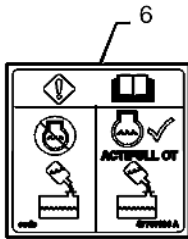
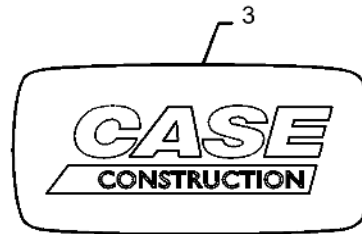
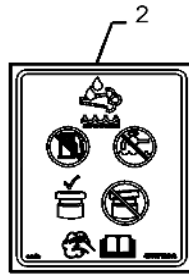
90.108.010

02

p1

6/2019

DECALS COMMON TO MODEL

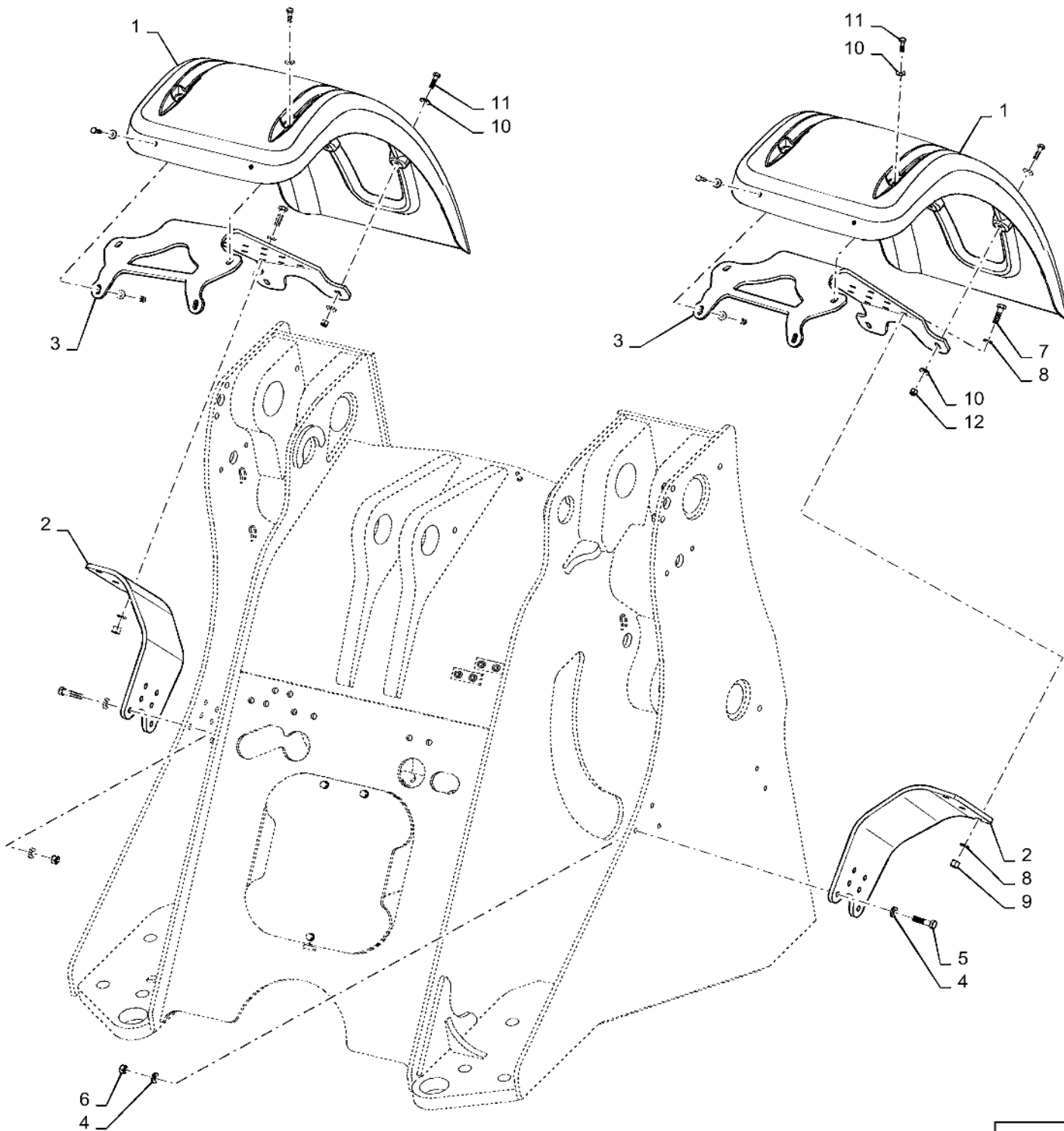


90.116.040

p1

6/2019

FRONT FENDER INSTALLATION, STANDARD

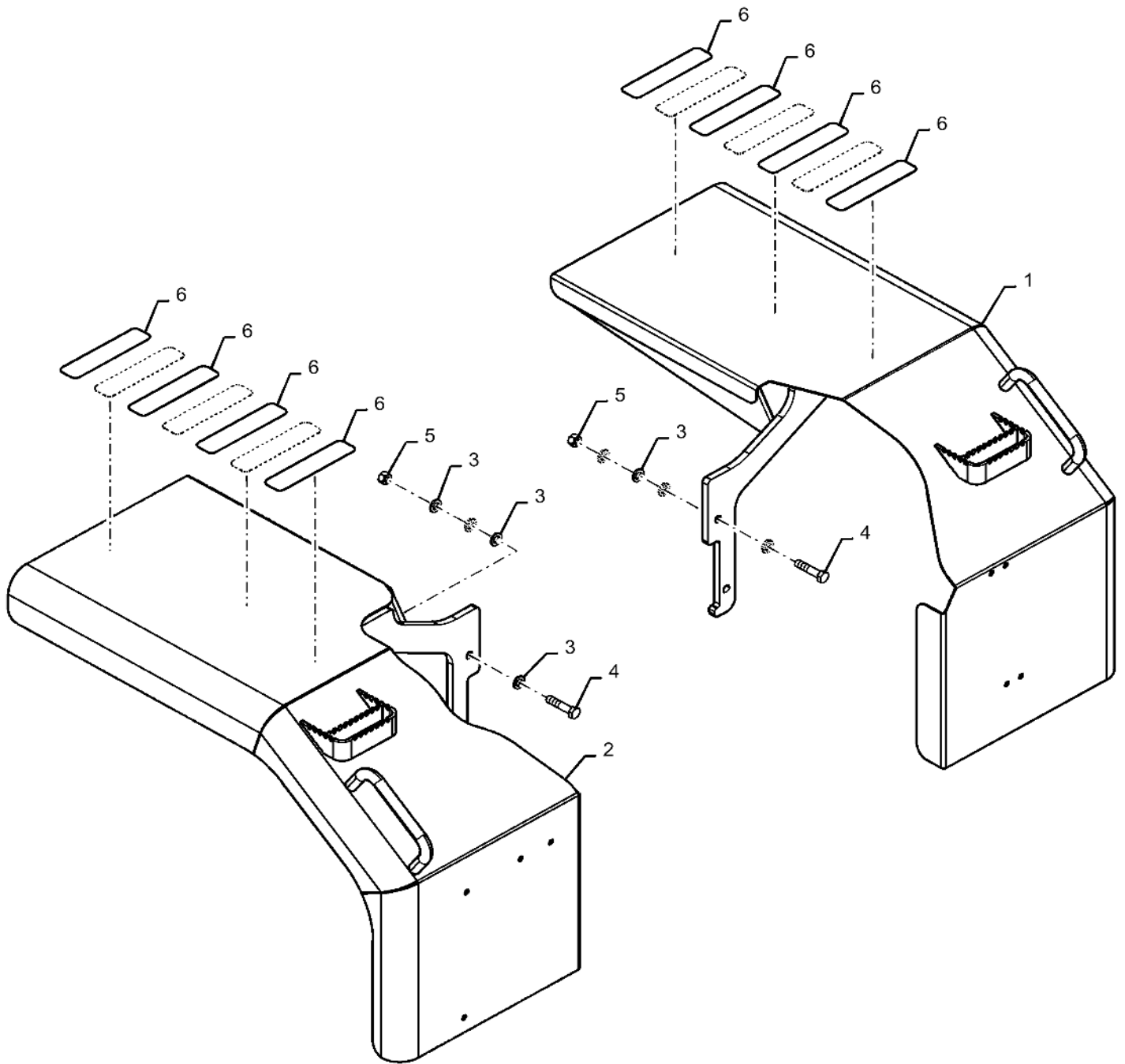


90.116.100

p1

6/2019

VAR - 782510 - REAR FENDER SHORT

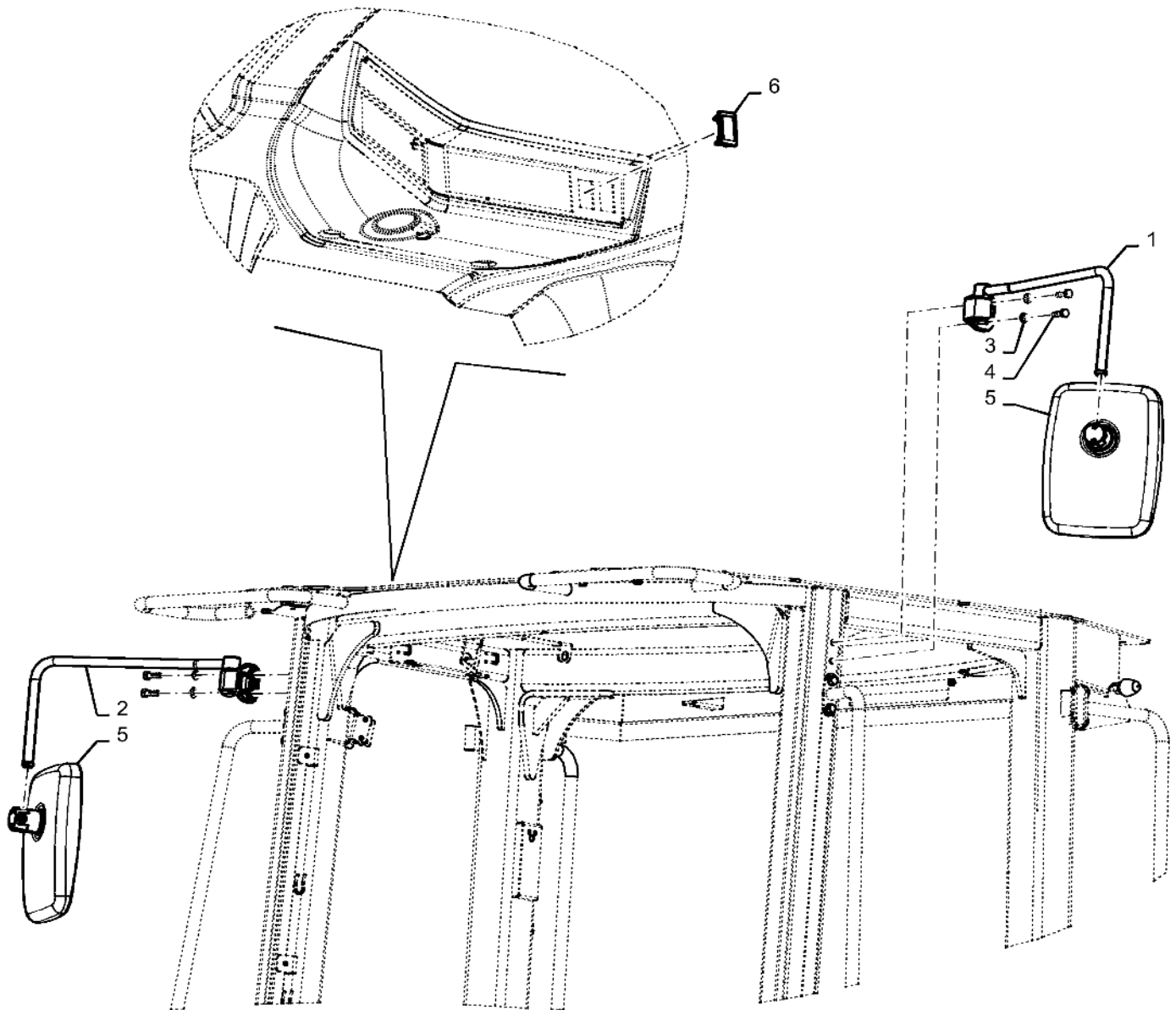


90.118.030

p1

6/2019

VAR - 782203 - MIRROR



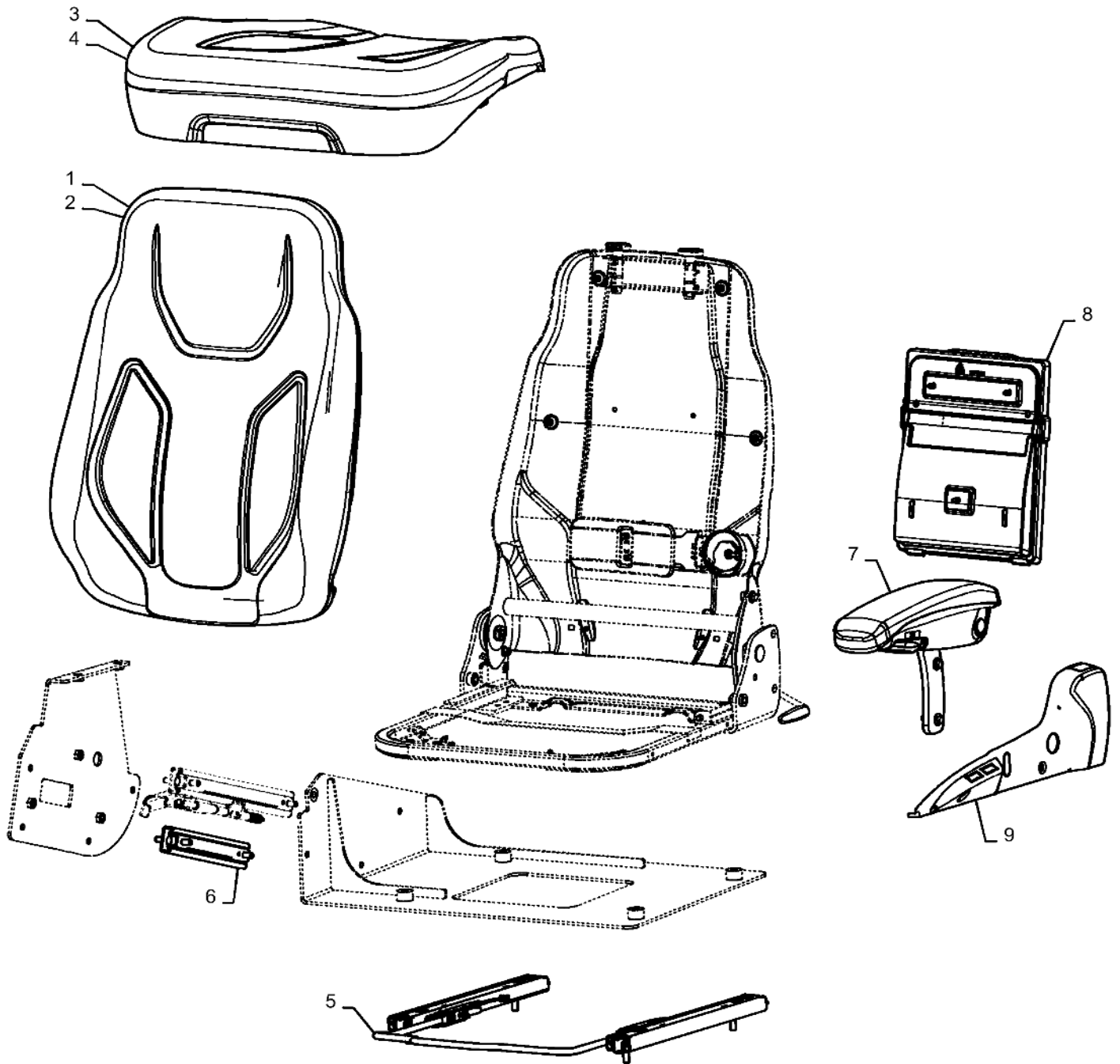
90.120.010

01

p1

6/2019

VAR - 734062, 734072 - SEAT, MECHANICAL SUSPENSION SERVICE PARTS



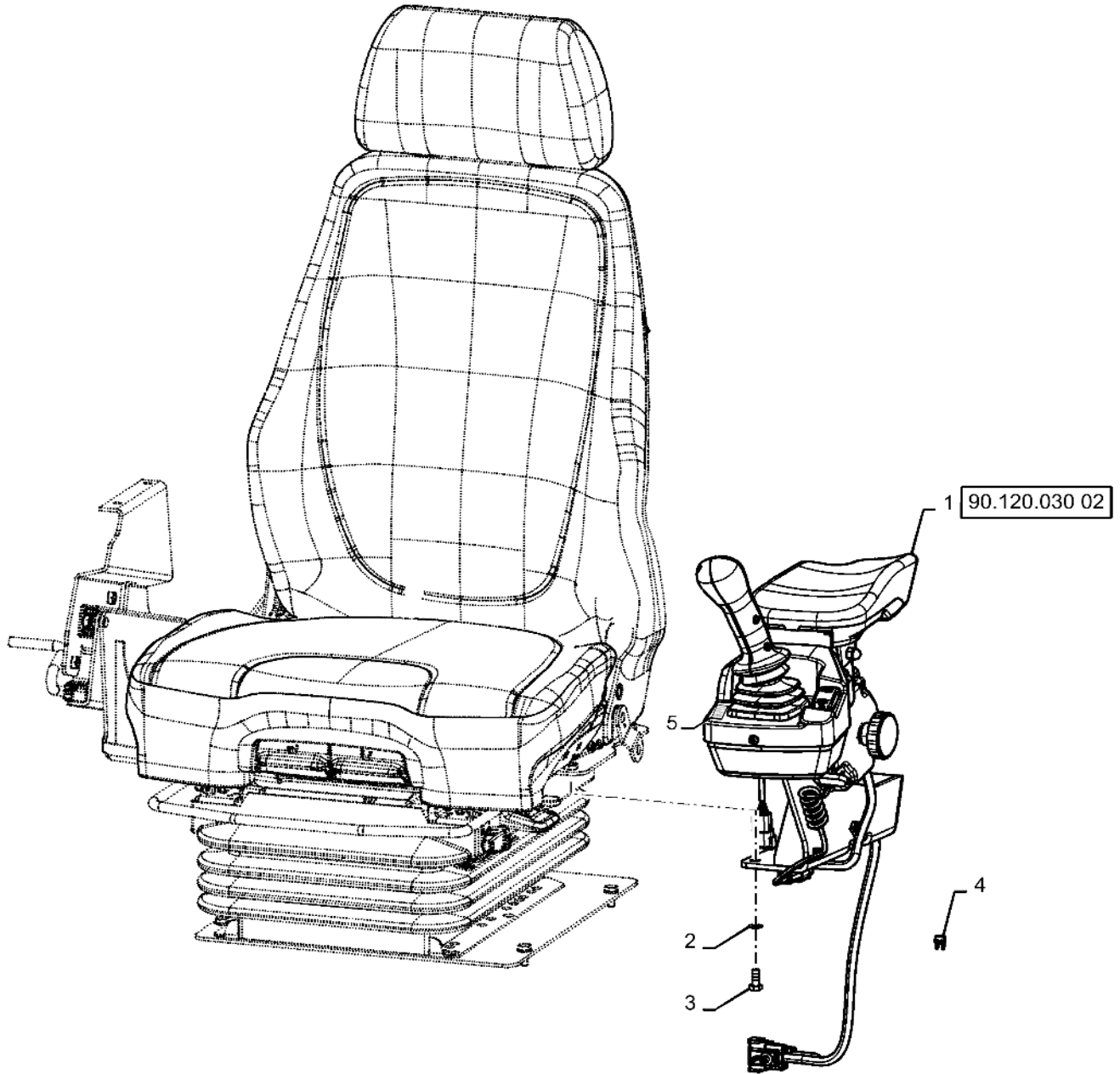
90.120.030

01

p1

6/2019

VAR - 482913, 482930 - ARMREST INSTALLATION, LH, GRAMMER

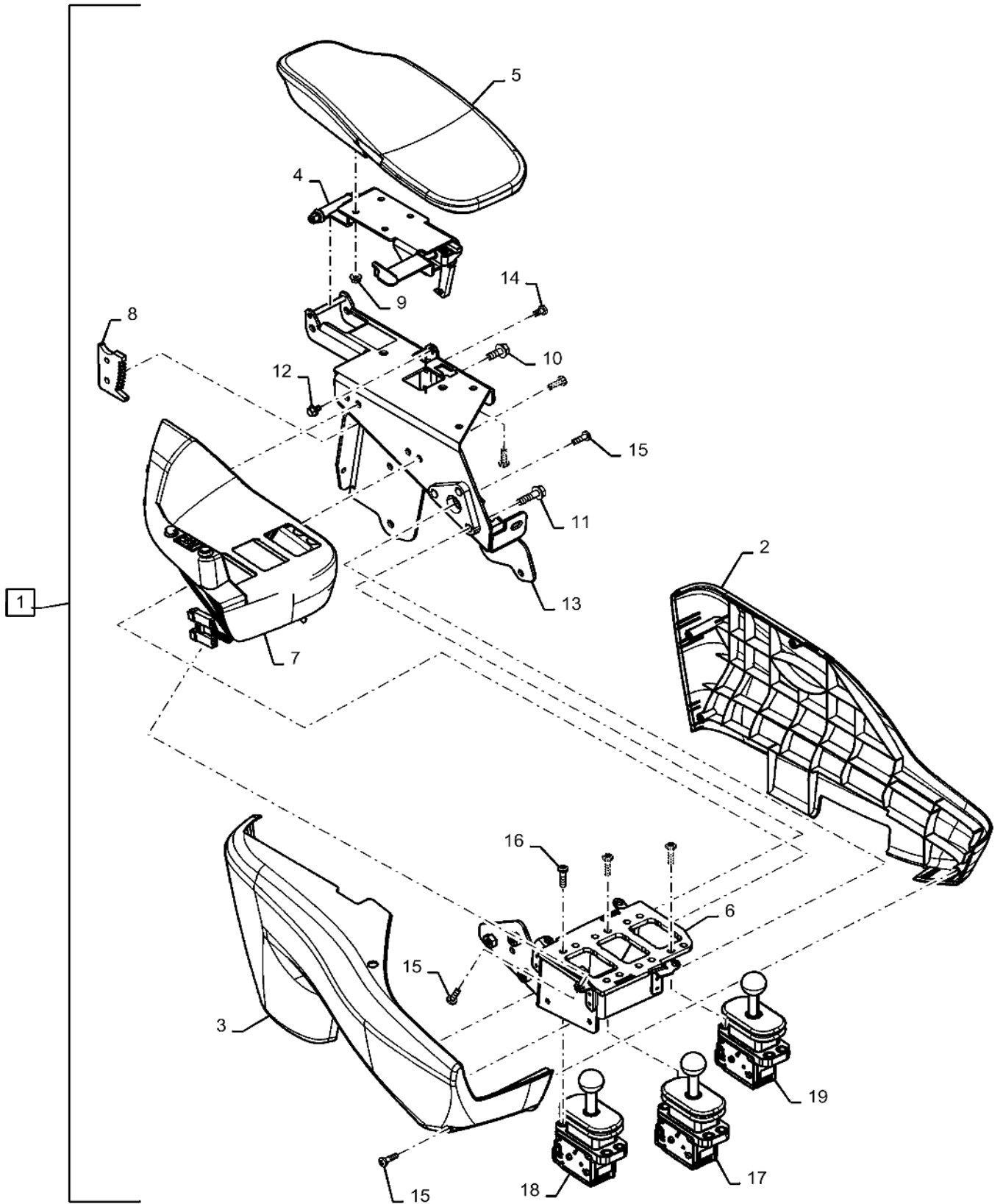


90.120.080

p1

6/2019

VAR - 734053 - 3-LEVER LOADER CONTROL ASSEMBLY



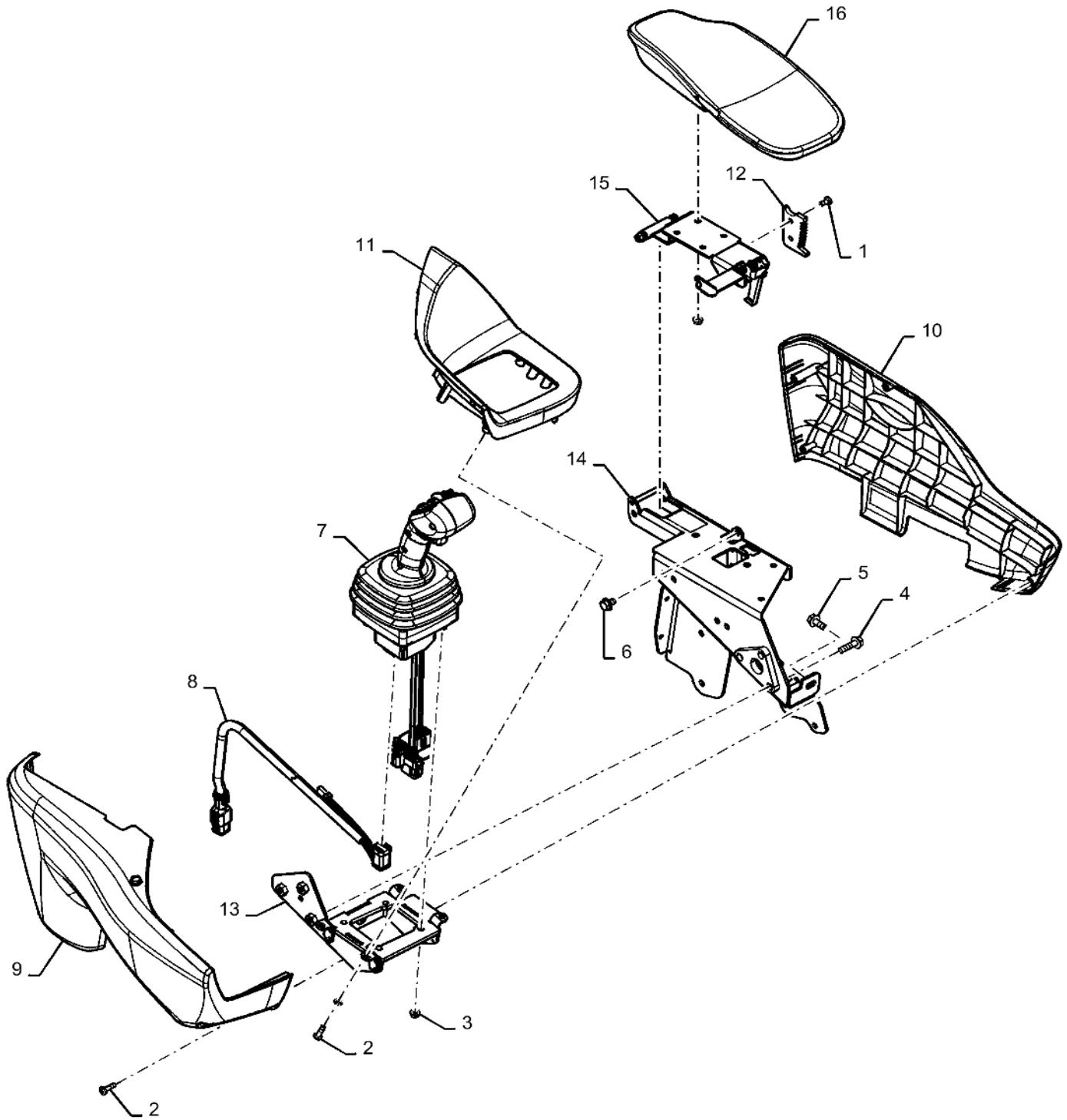
90.120.130

02

p1

6/2019

ARMREST ASSY, JOYSTICK AND 2 AUX CONTROL



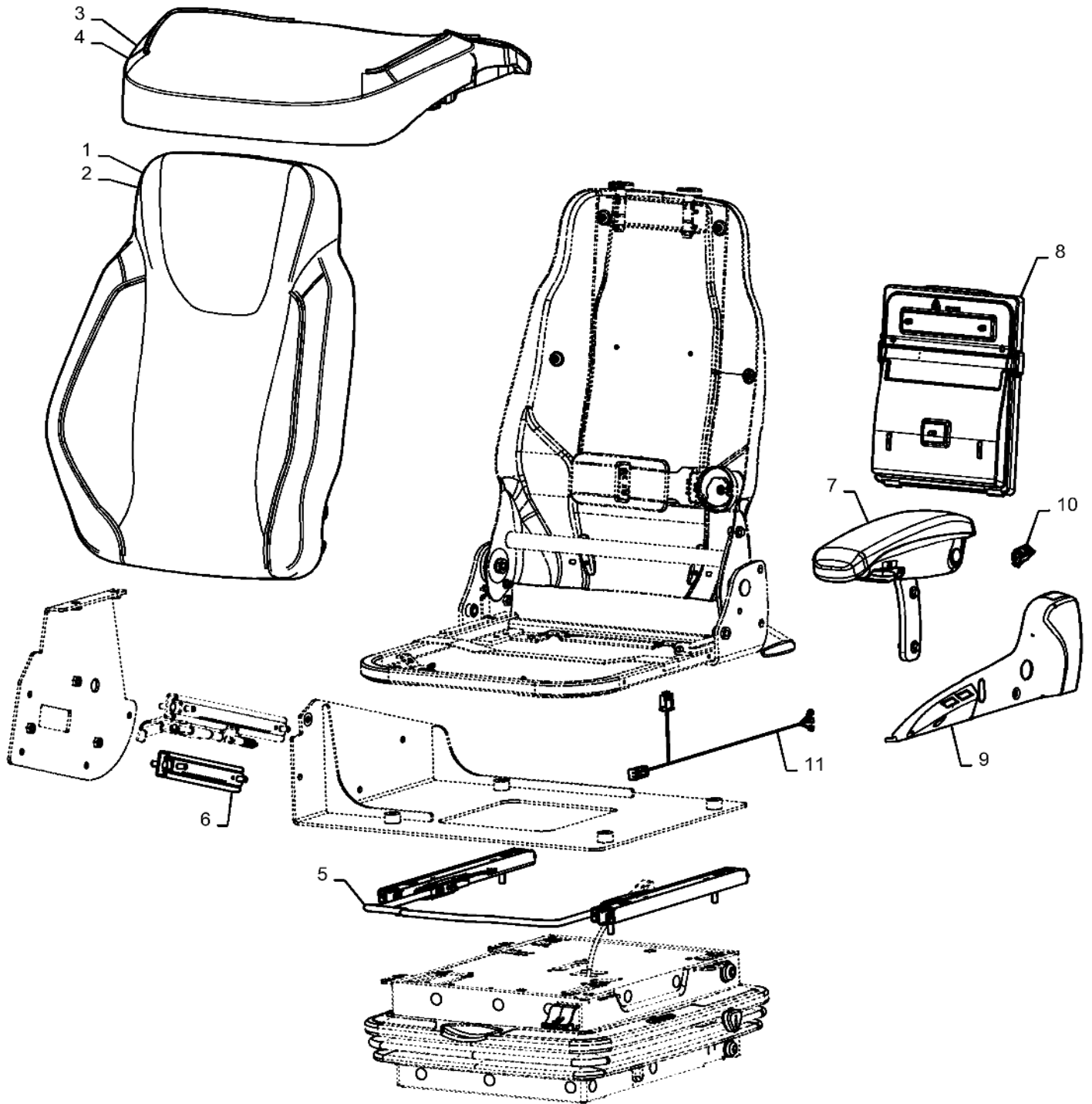
90.124.010

01

p2

6/2019

VAR - 734063, 734073 - SEAT, AIR SUSPENSION SERVICE PARTS, HEATED



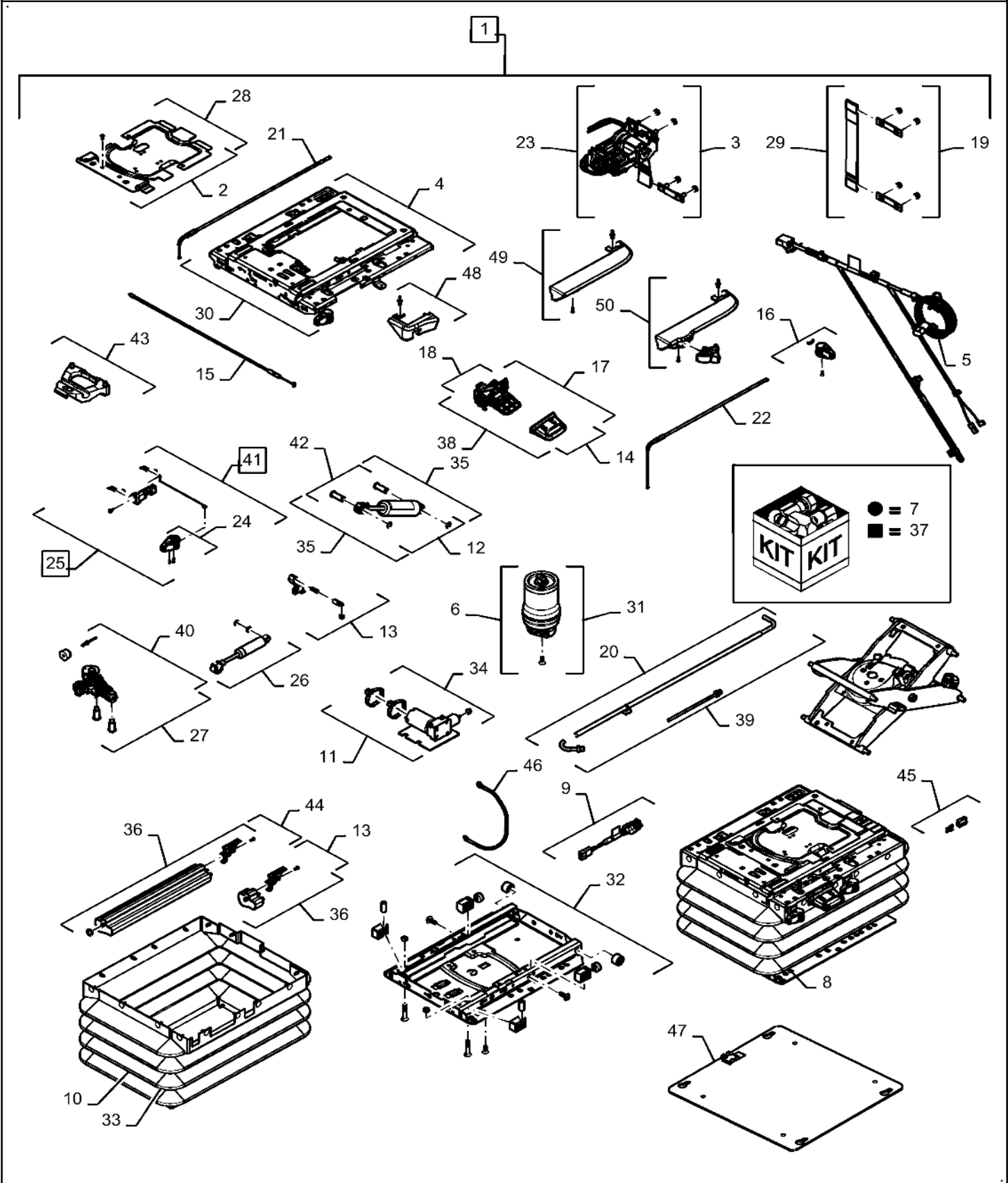
90.124.040

01

p2

6/2019

SEAT, PREMIUM HEATED AIR SUSPENSION

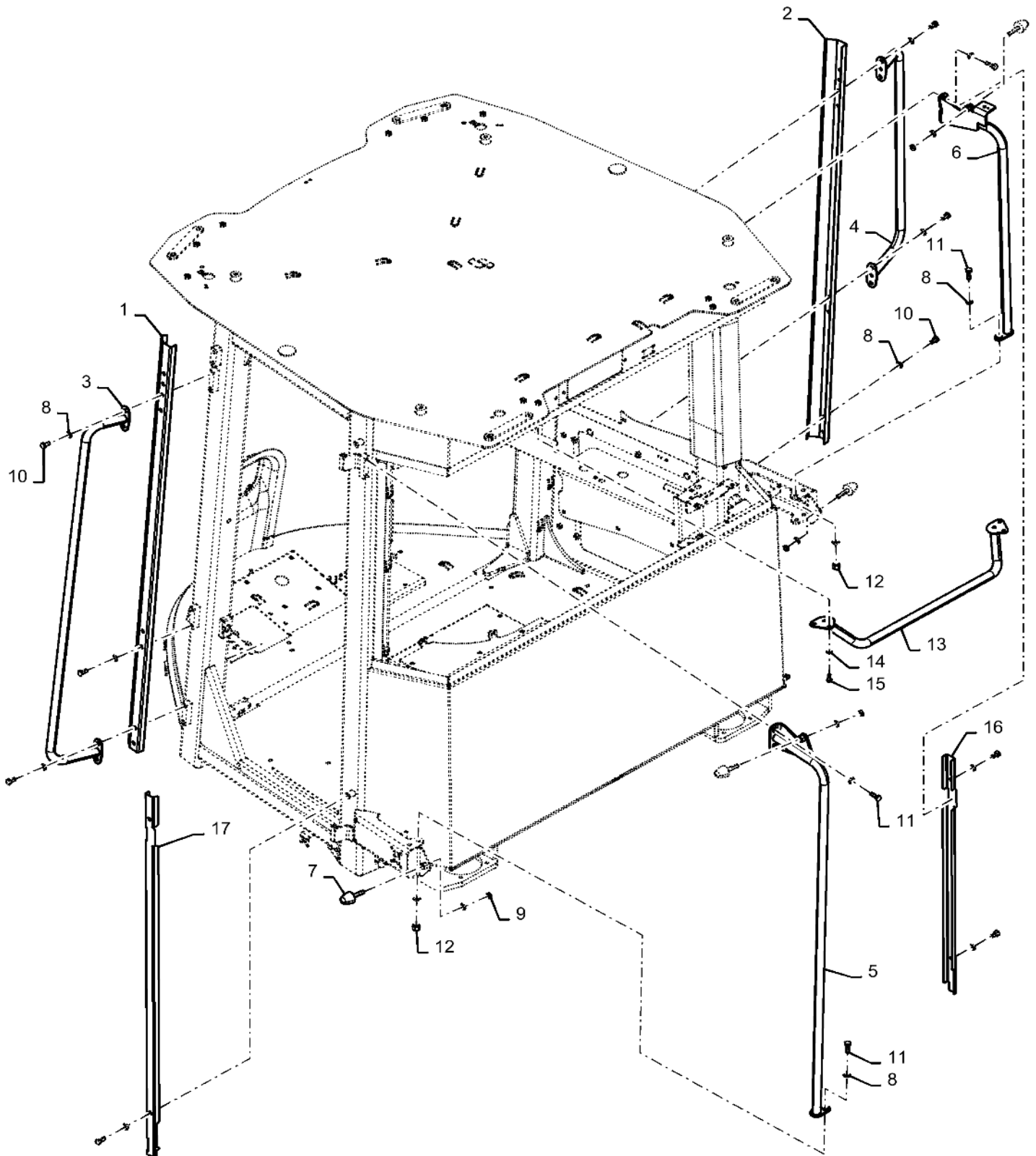


90.150.030

p1

6/2019

VAR - 734065 - CAB GRAB RAIL

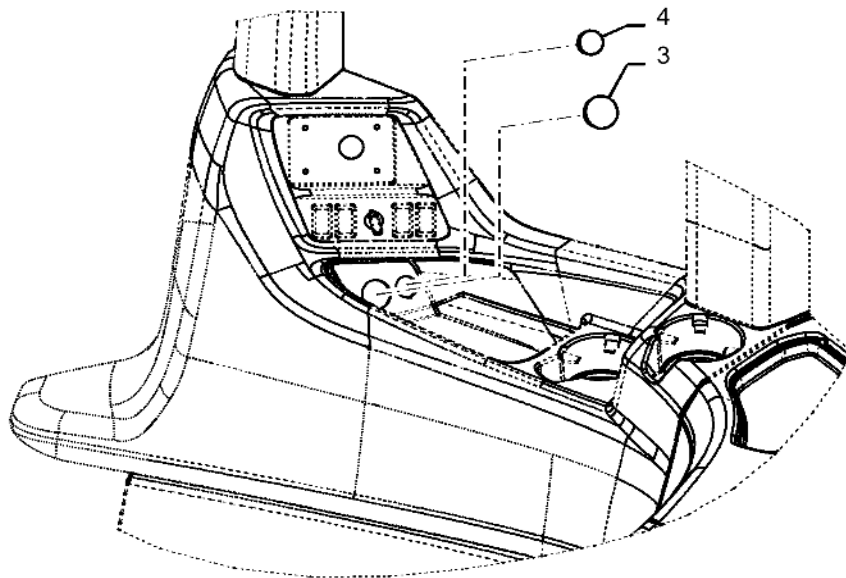
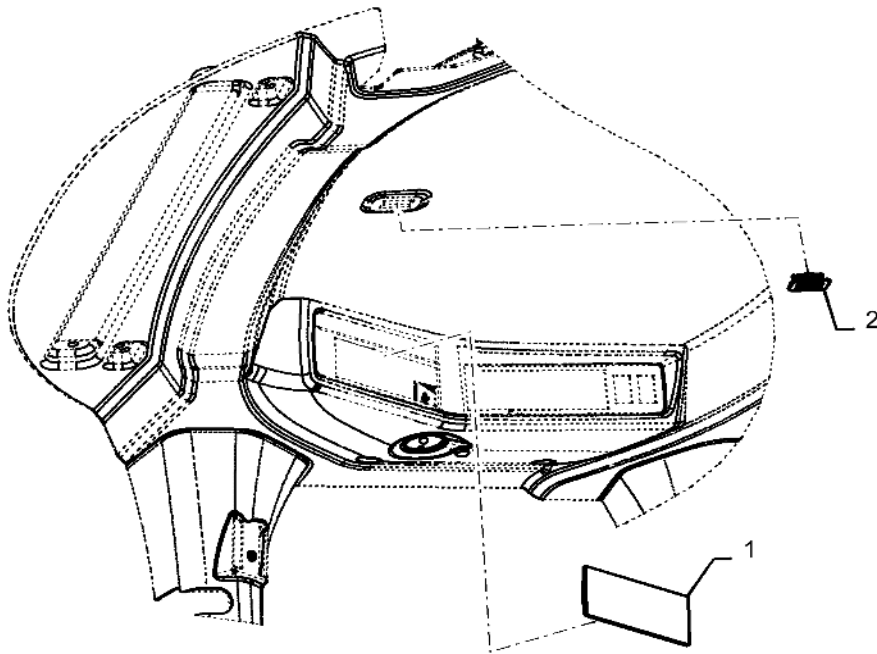


90.151.060

p1

6/2019

VAR - X05136X - NO RADIO COVERS



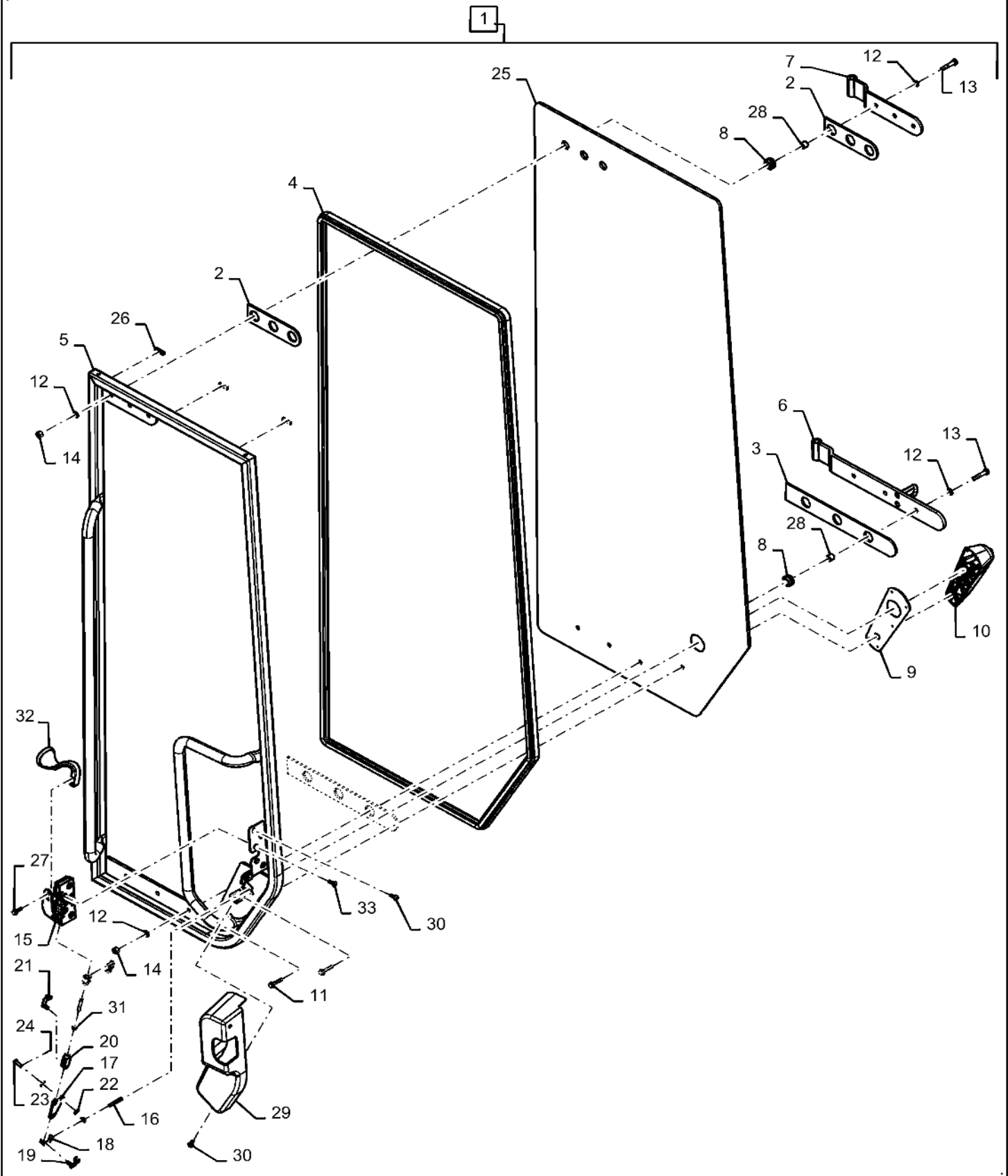
90.154.010

01

p2

6/2019

LEFT DOOR ASSEMBLY

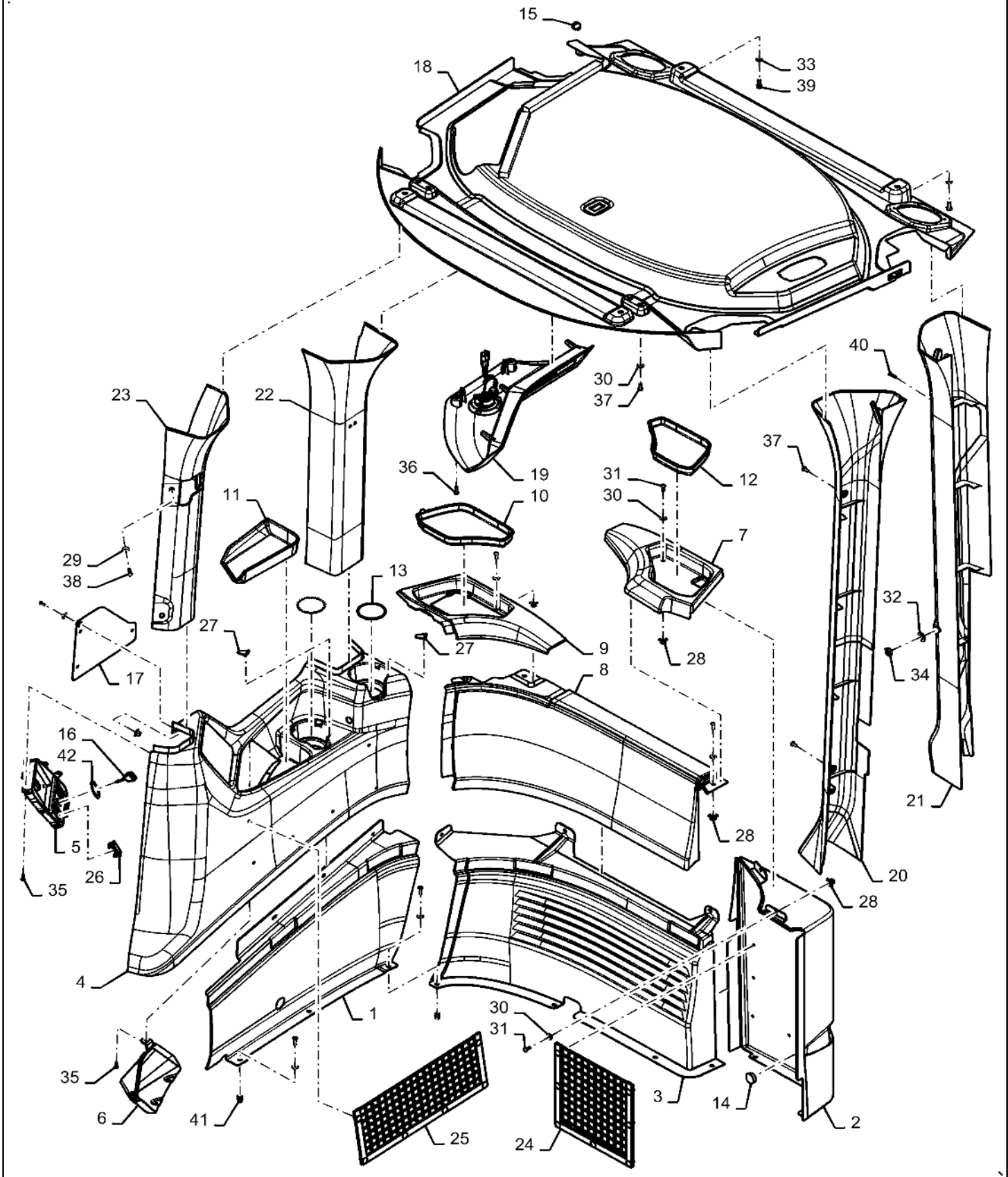


90.160.010

p1

6/2019

VAR - 734065 - CAB INTERIOR COVER



CLICK HERE TO **DOWNLOAD** THE COMPLETE MANUAL

- Thank you very much for reading the preview of the manual.
- You can download the complete manual from: [www.heydownloads.com](http://www.heydownloads.com) by clicking the link below



- Please note: If there is no response to **CLICKING** the link, please download this PDF first and then click on it.

CLICK HERE TO **DOWNLOAD** THE COMPLETE MANUAL