

621 Loader
P.I.N. JAK0021701 & After

Parts Catalog

8-7041

CASE

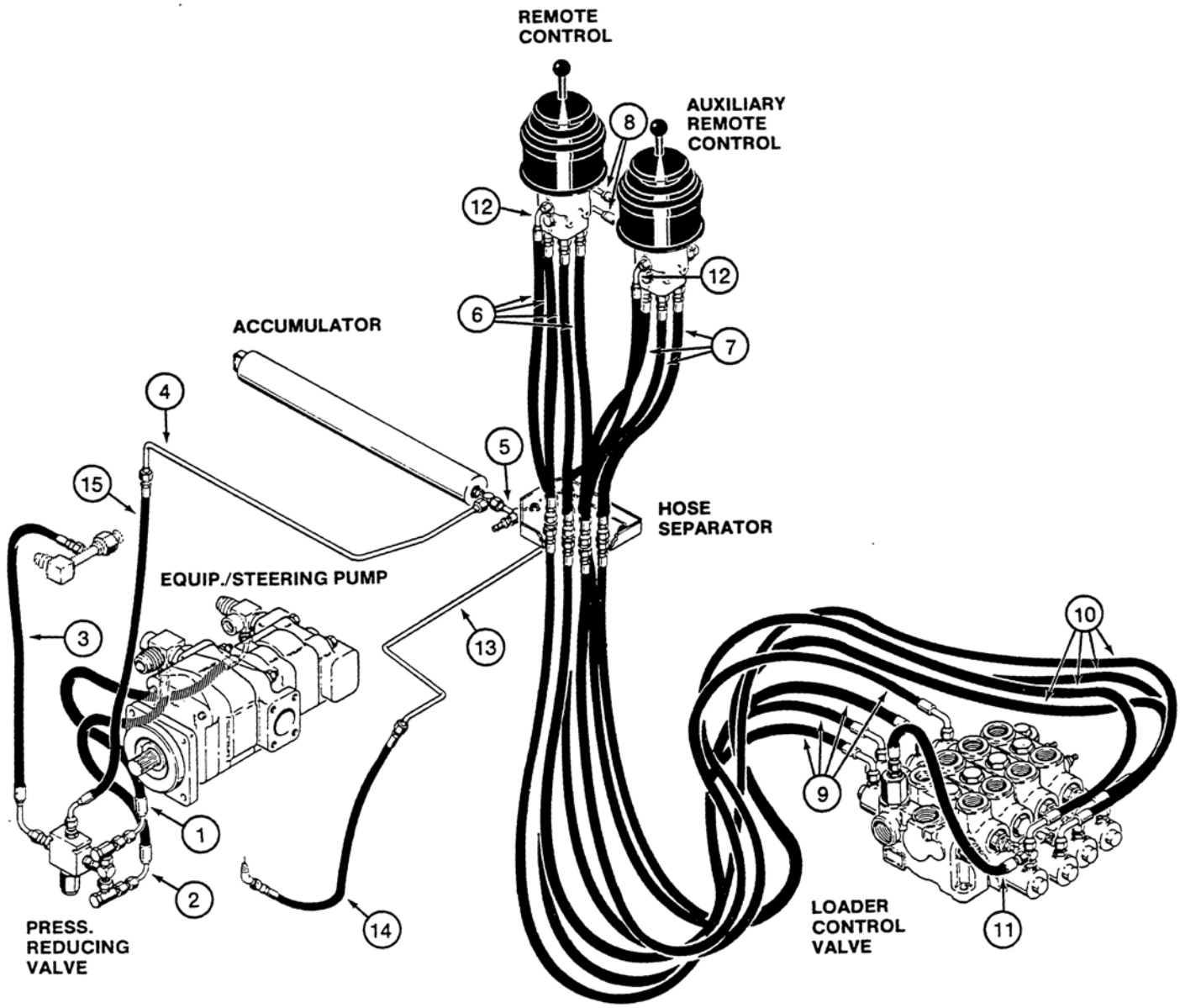
CLICK HERE TO **DOWNLOAD** THE COMPLETE MANUAL

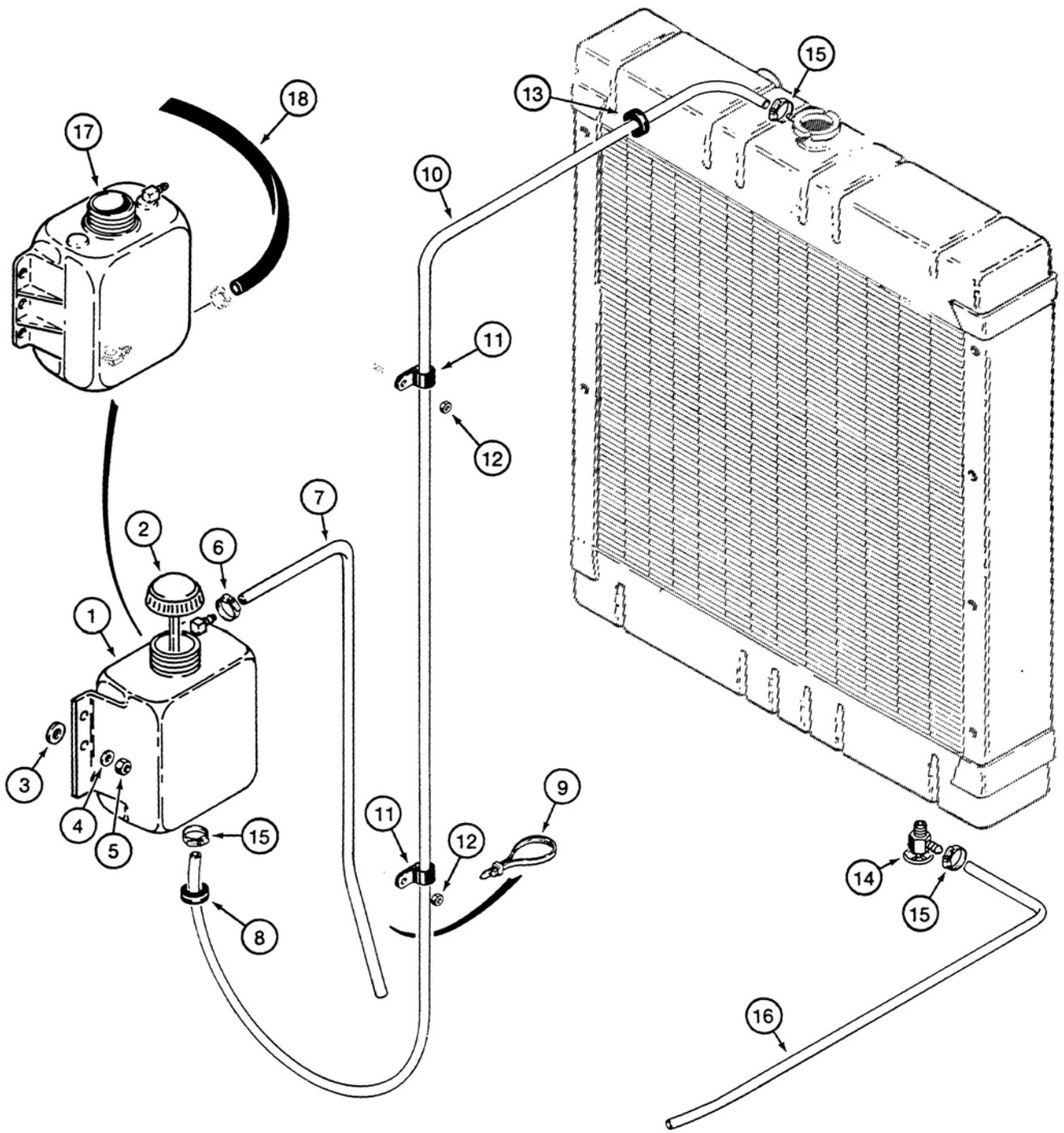
- Thank you very much for reading the preview of the manual.
- You can download the complete manual from: www.heydownloads.com by clicking the link below

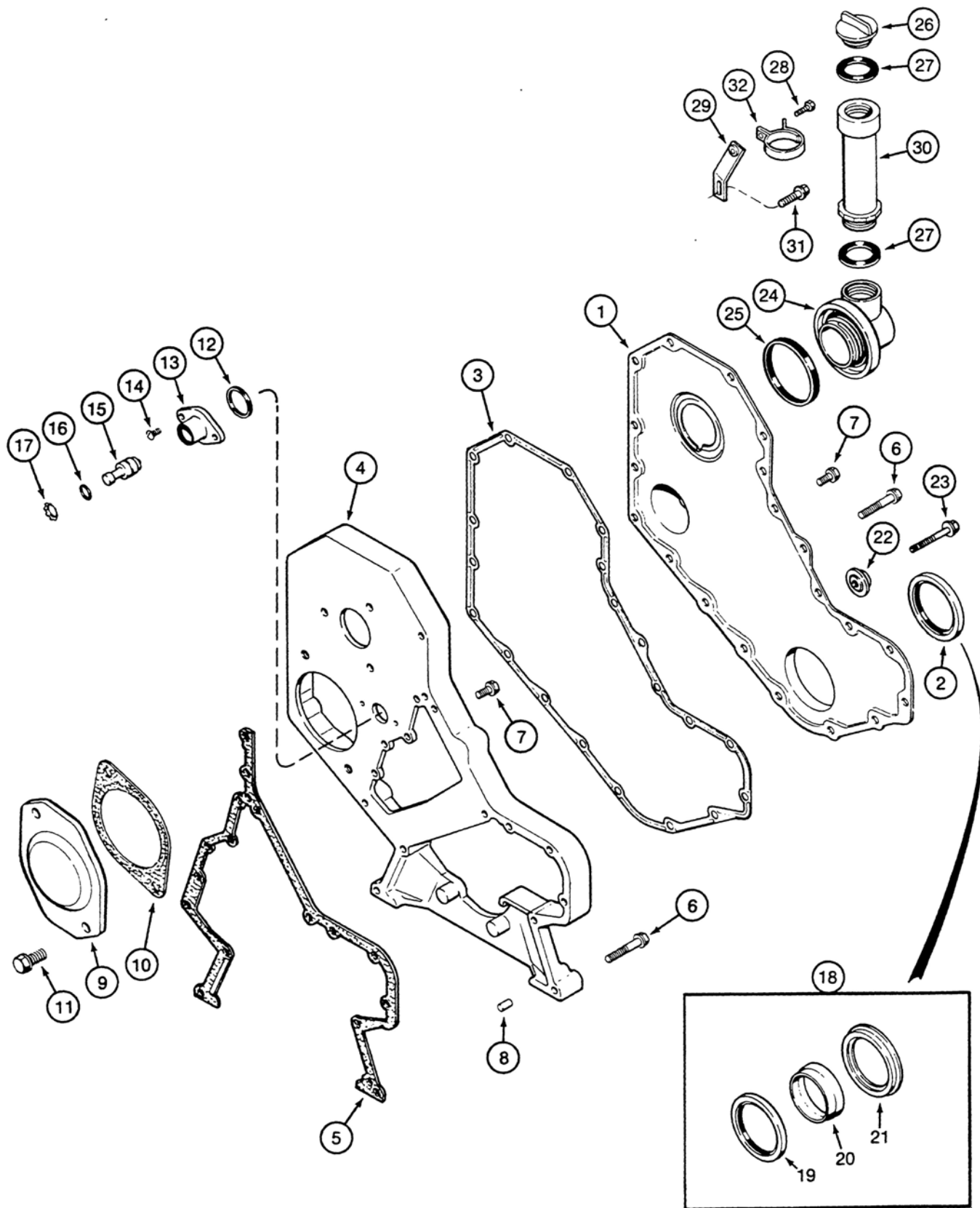


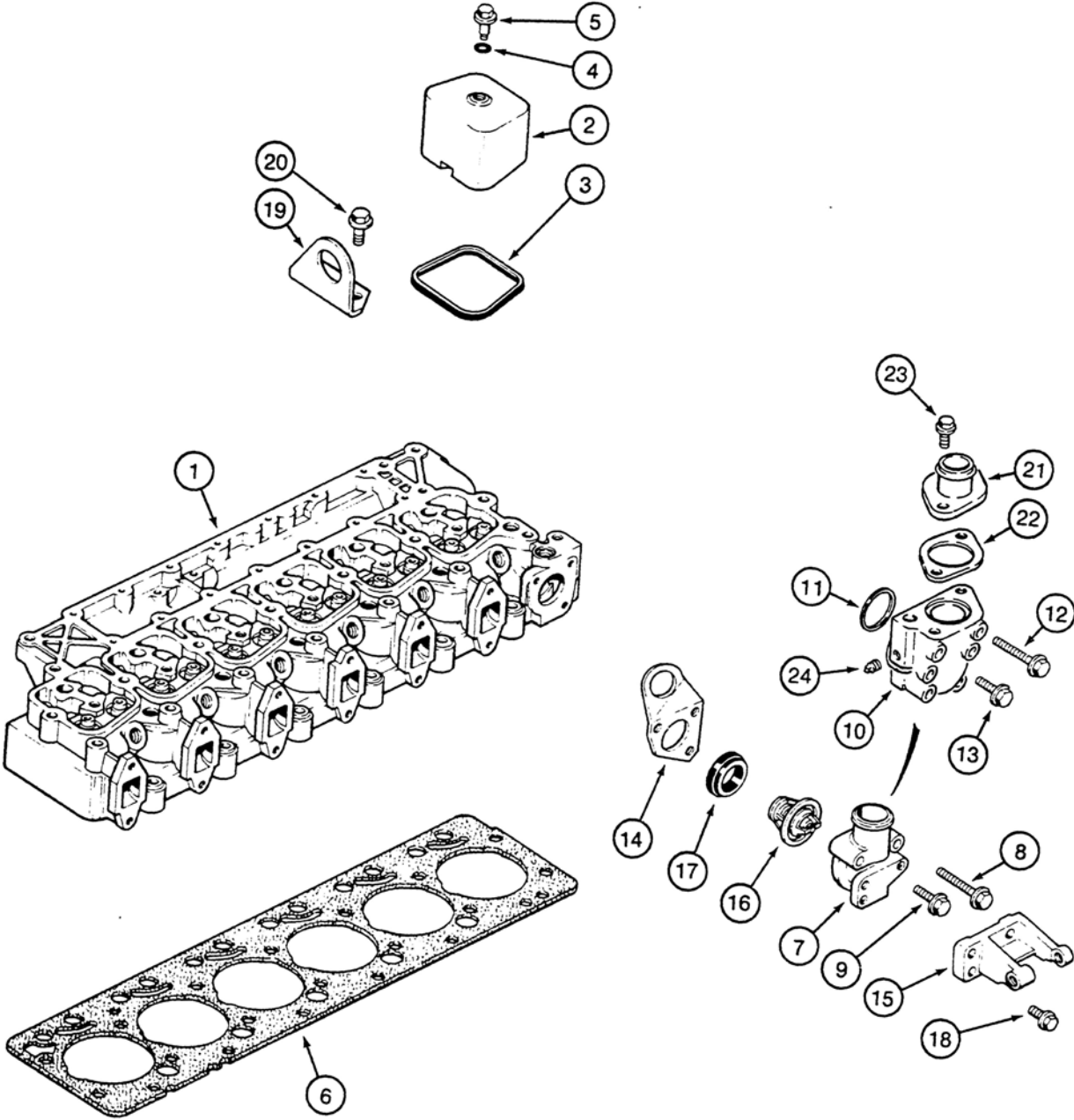
- Please note: If there is no response to CLICKING the link, please download this PDF first and then click on it.

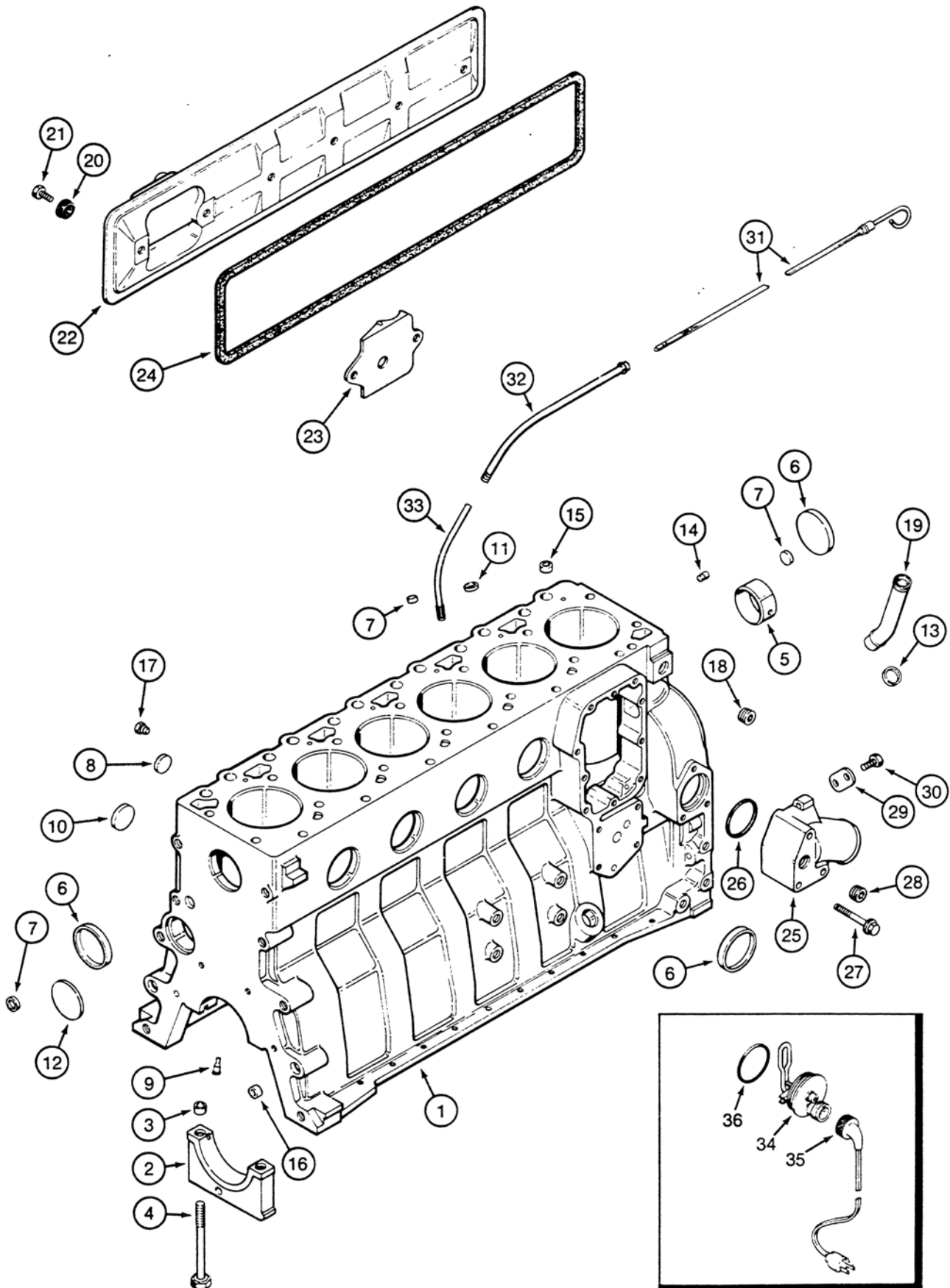
CLICK HERE TO **DOWNLOAD** THE COMPLETE MANUAL



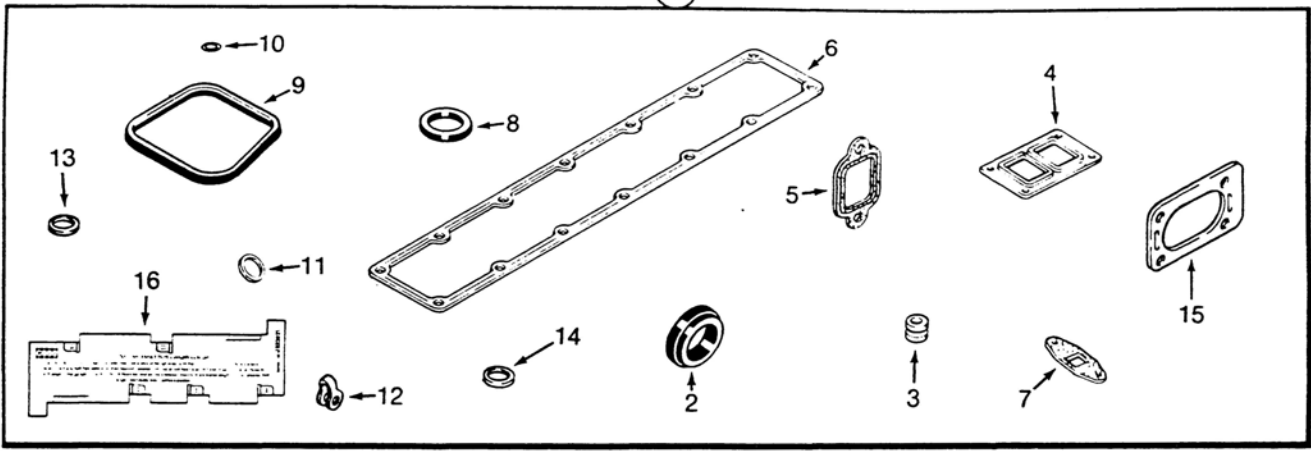




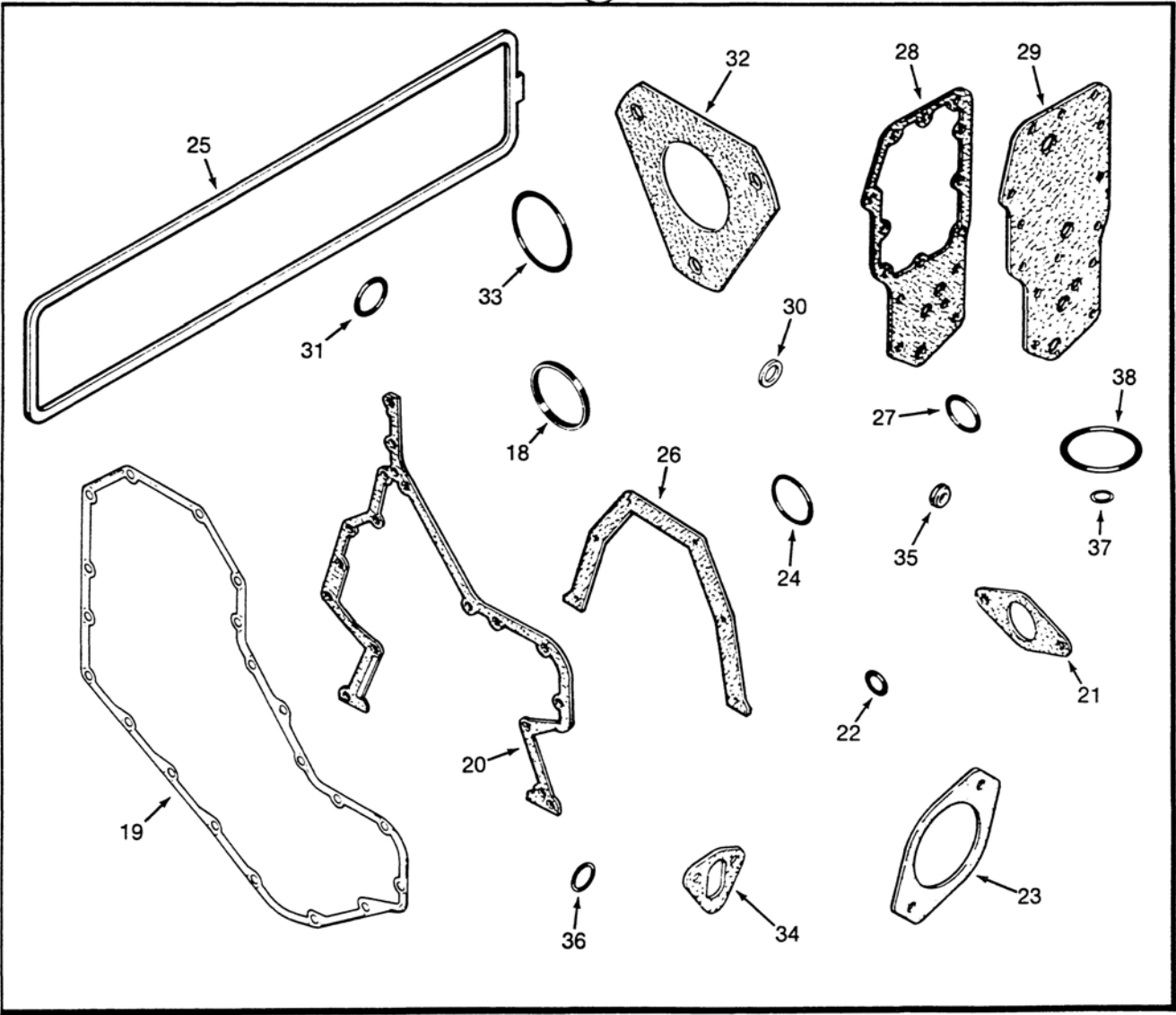


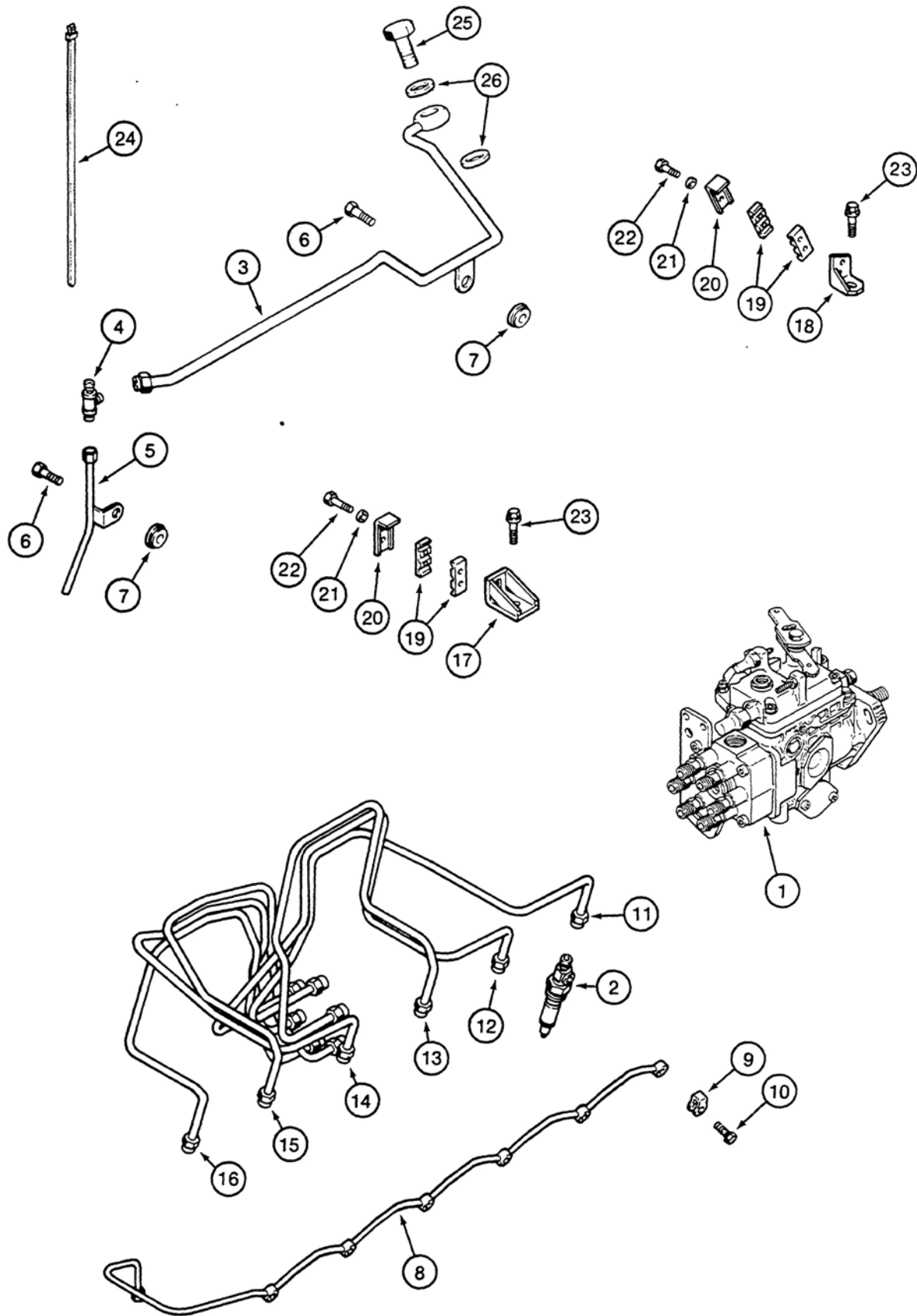


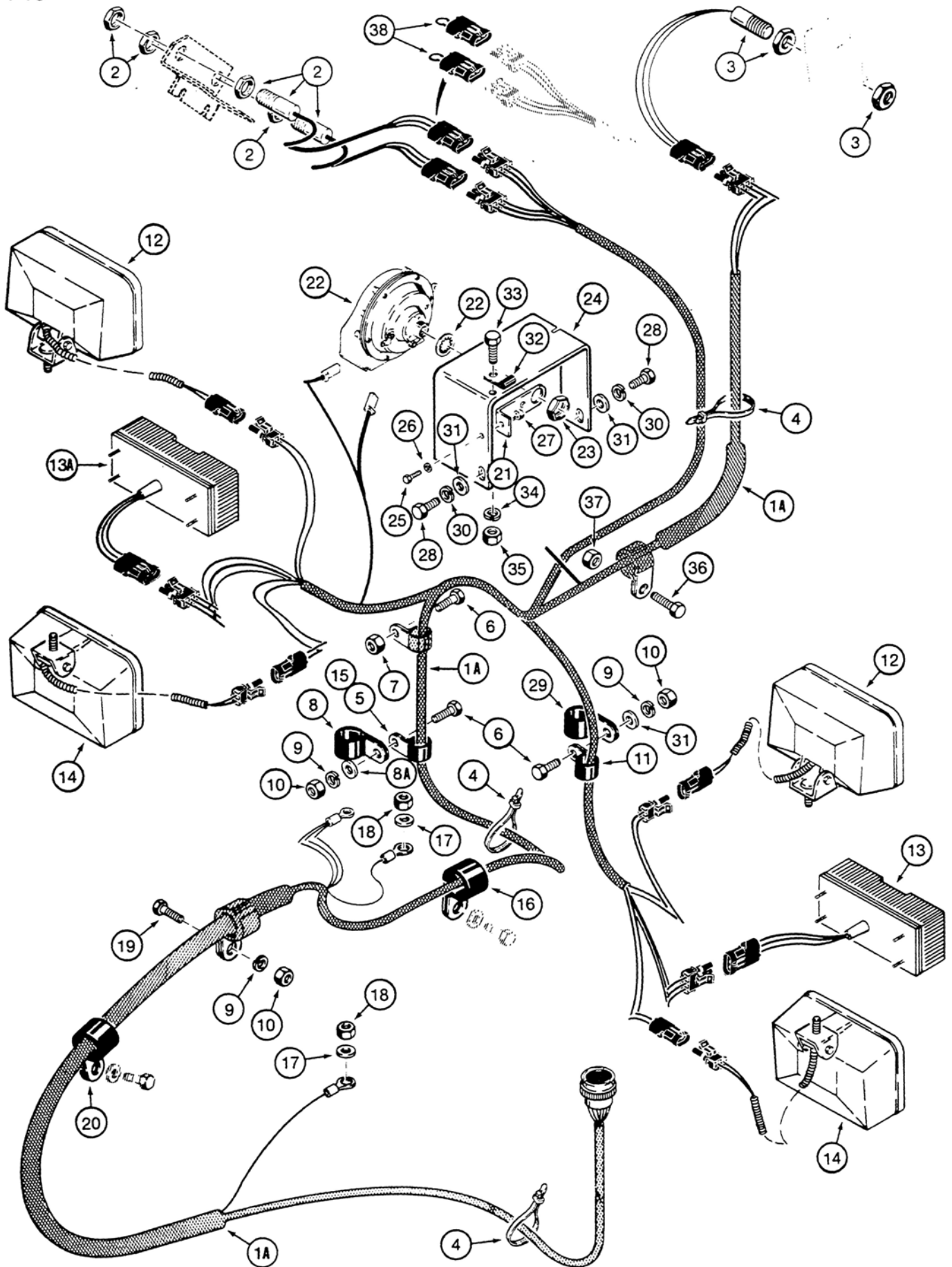
1

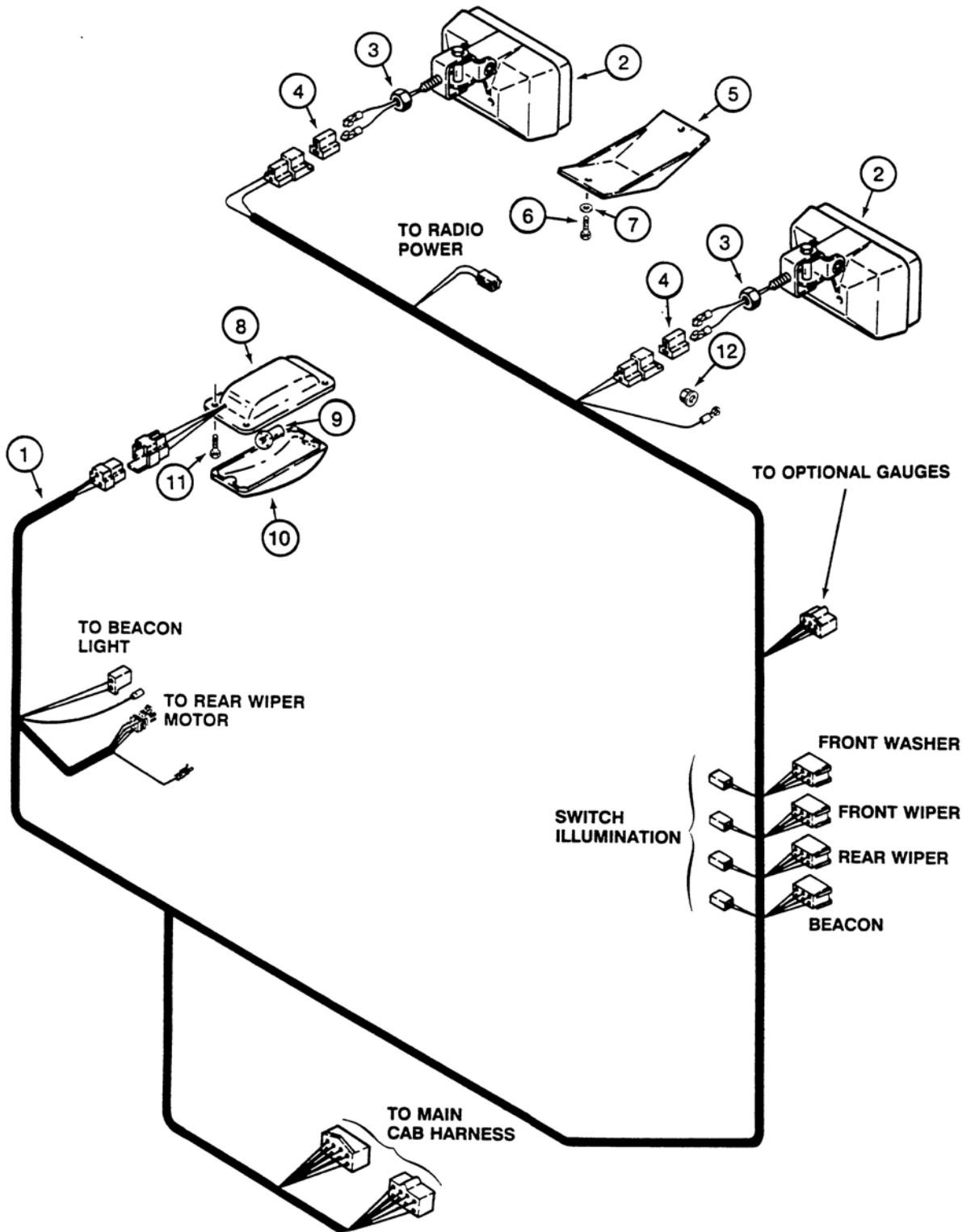


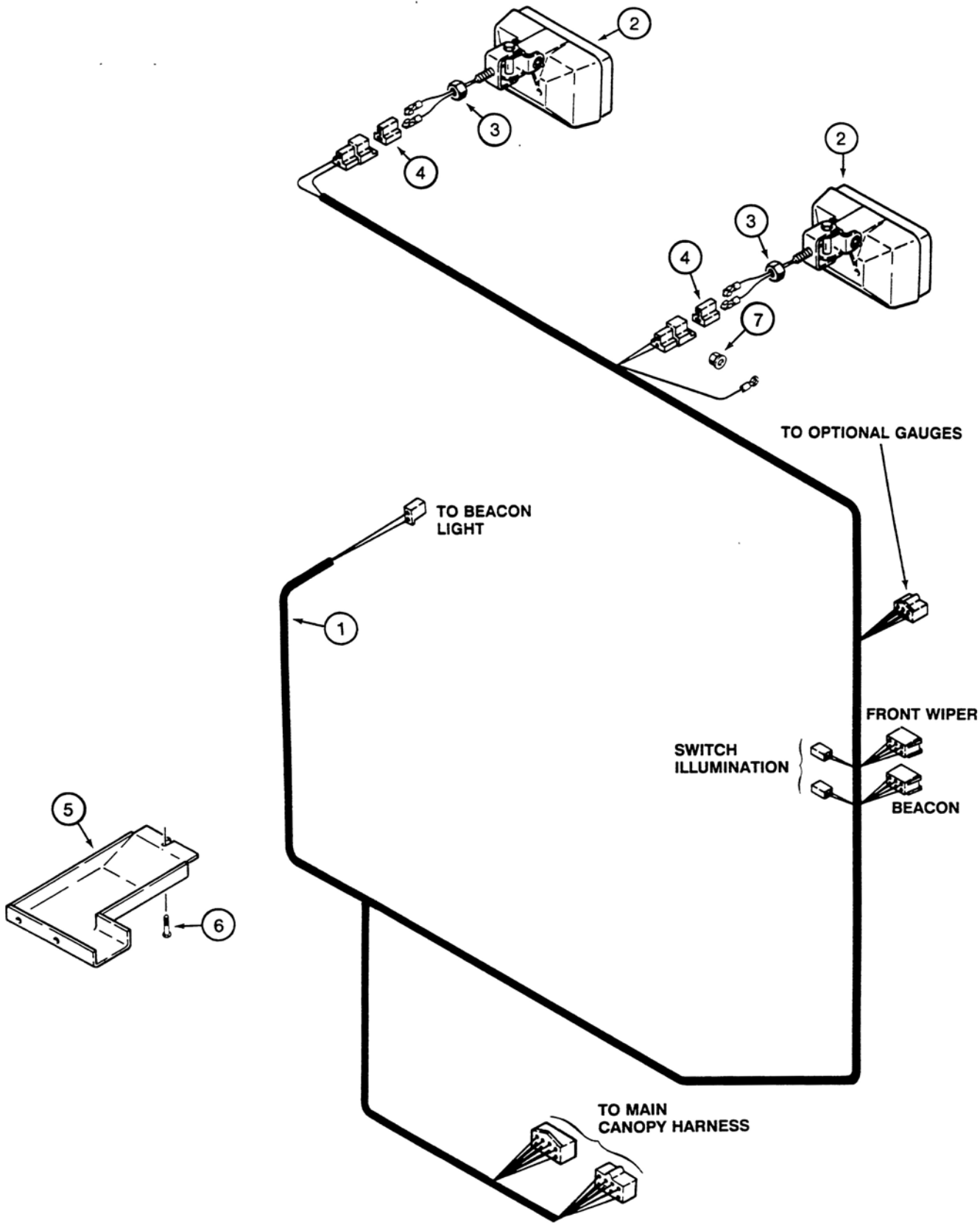
17

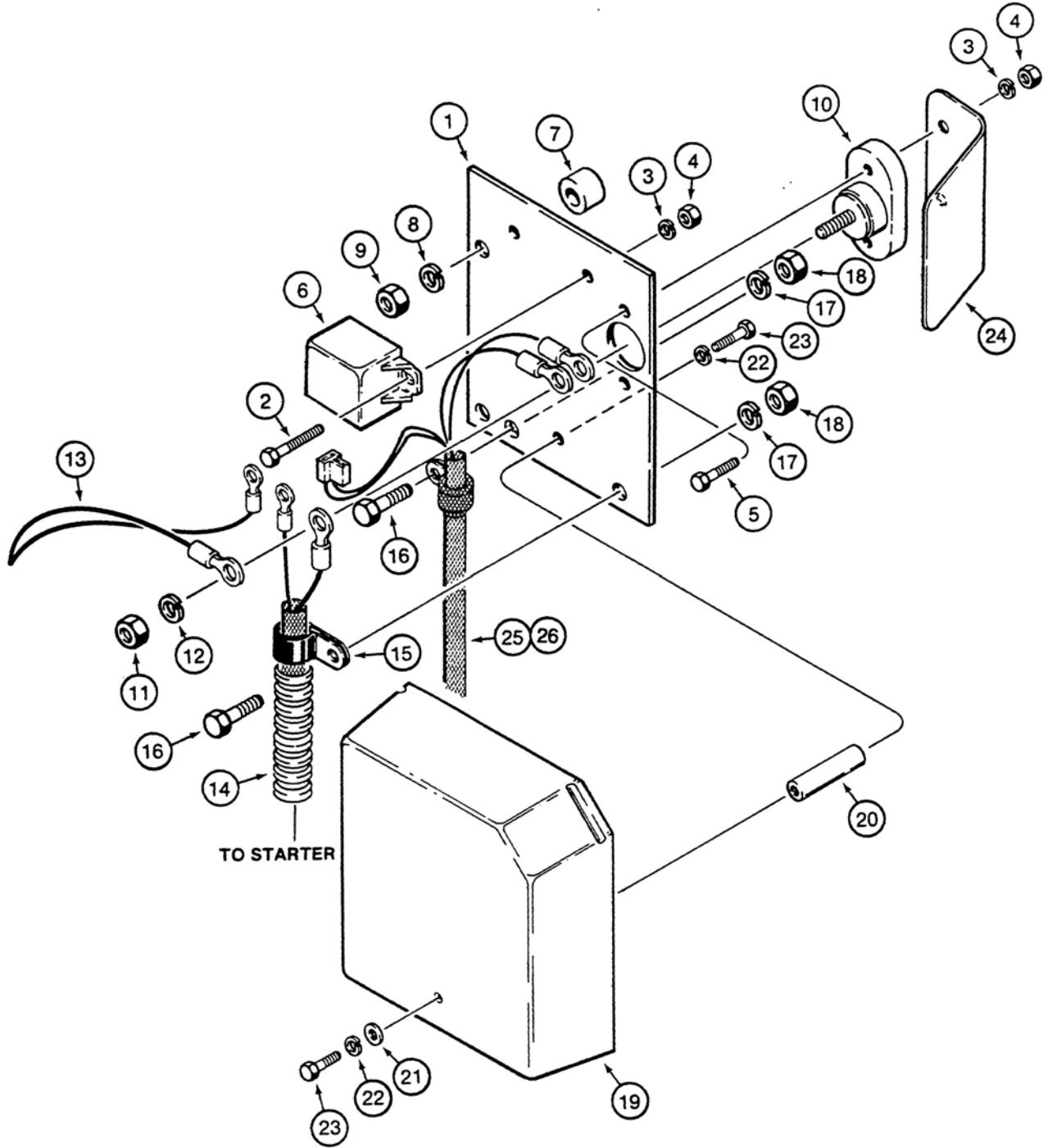


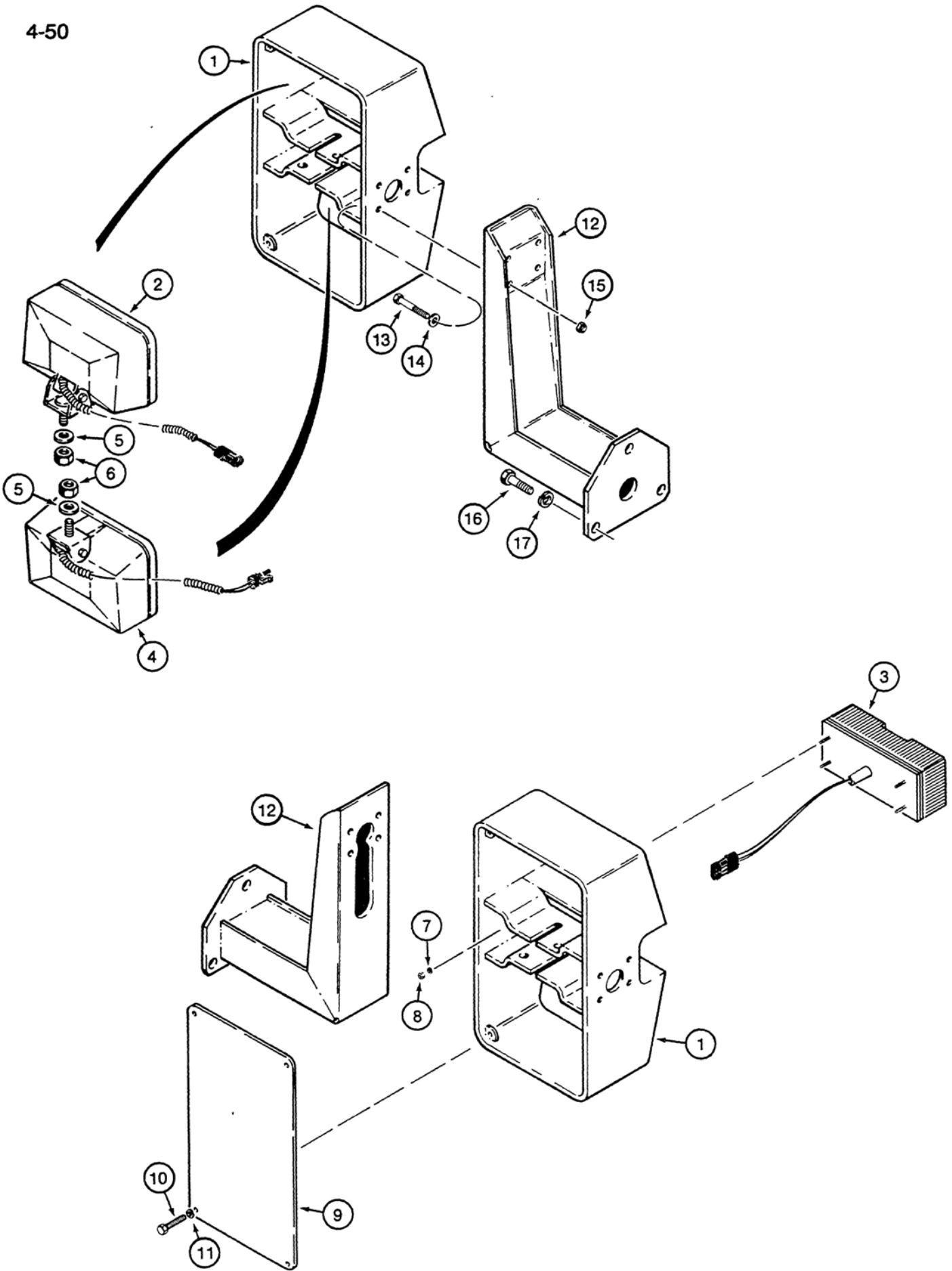


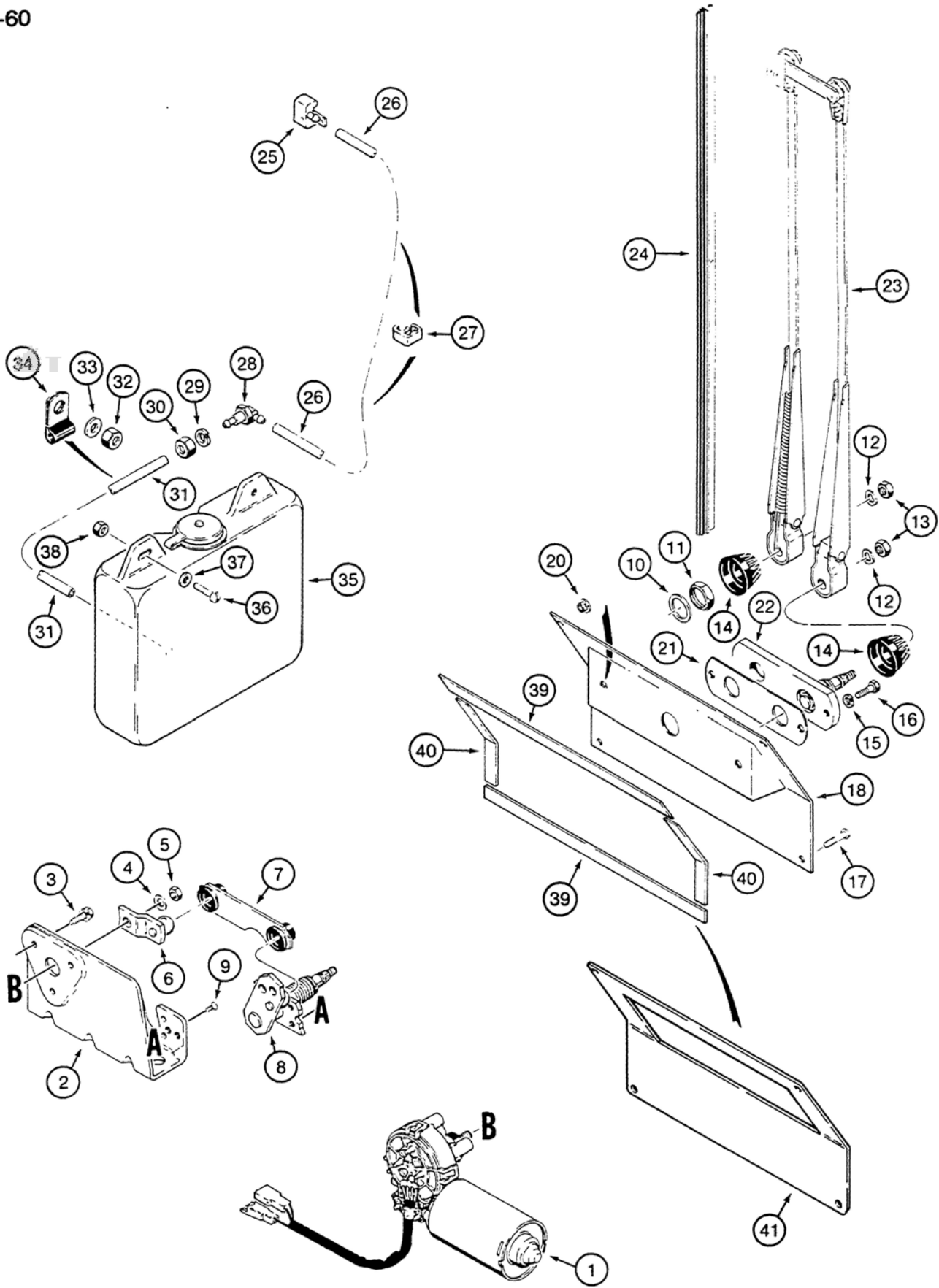


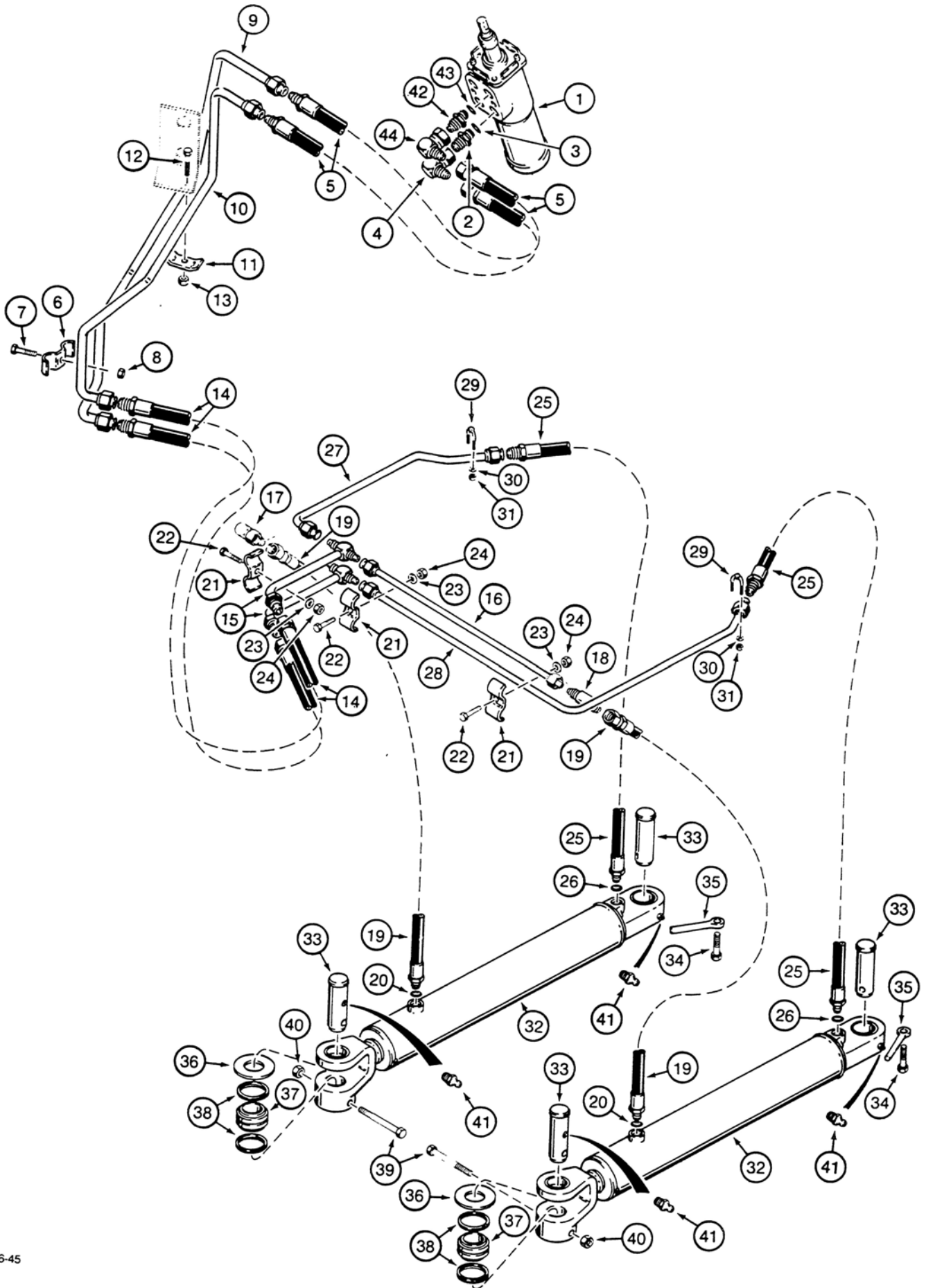


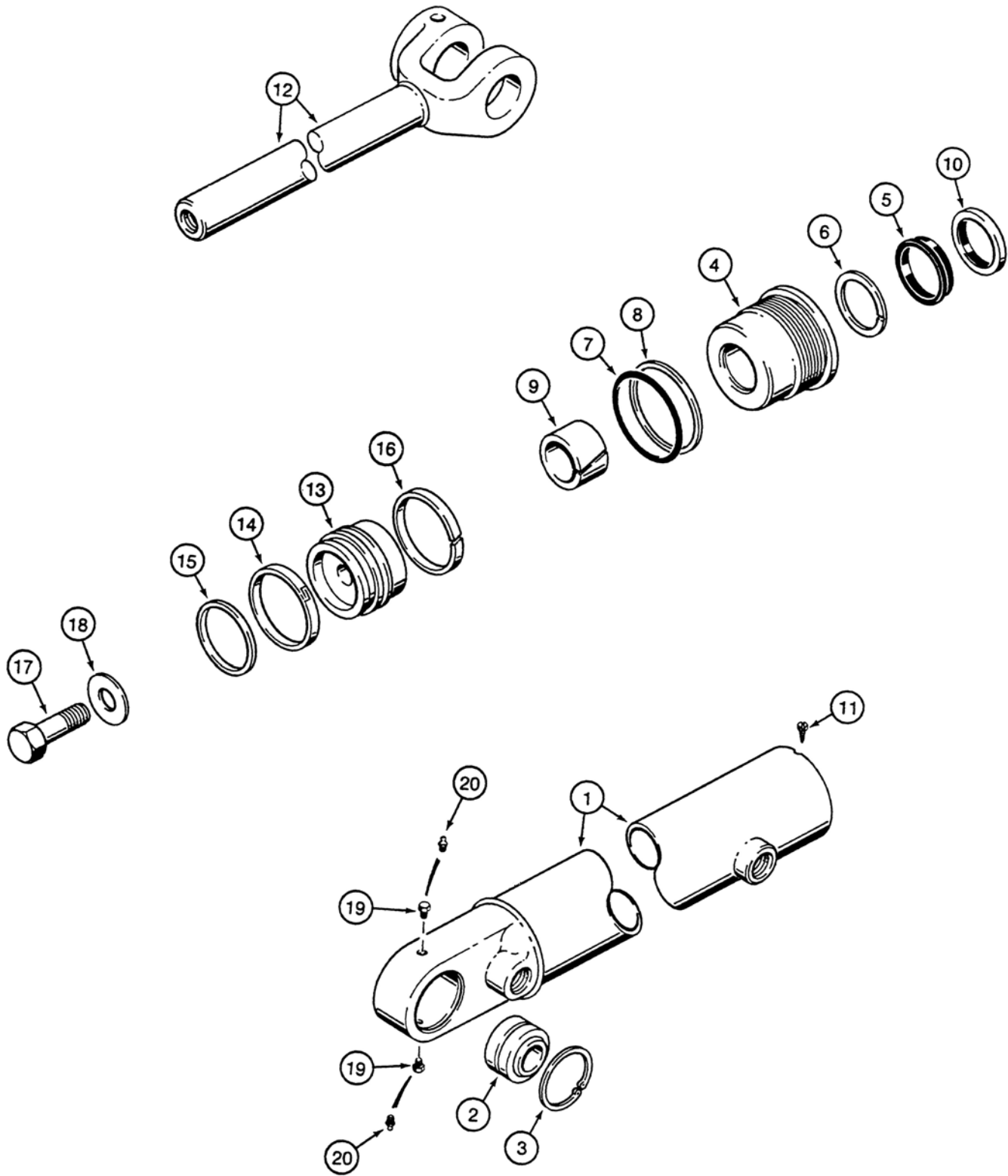


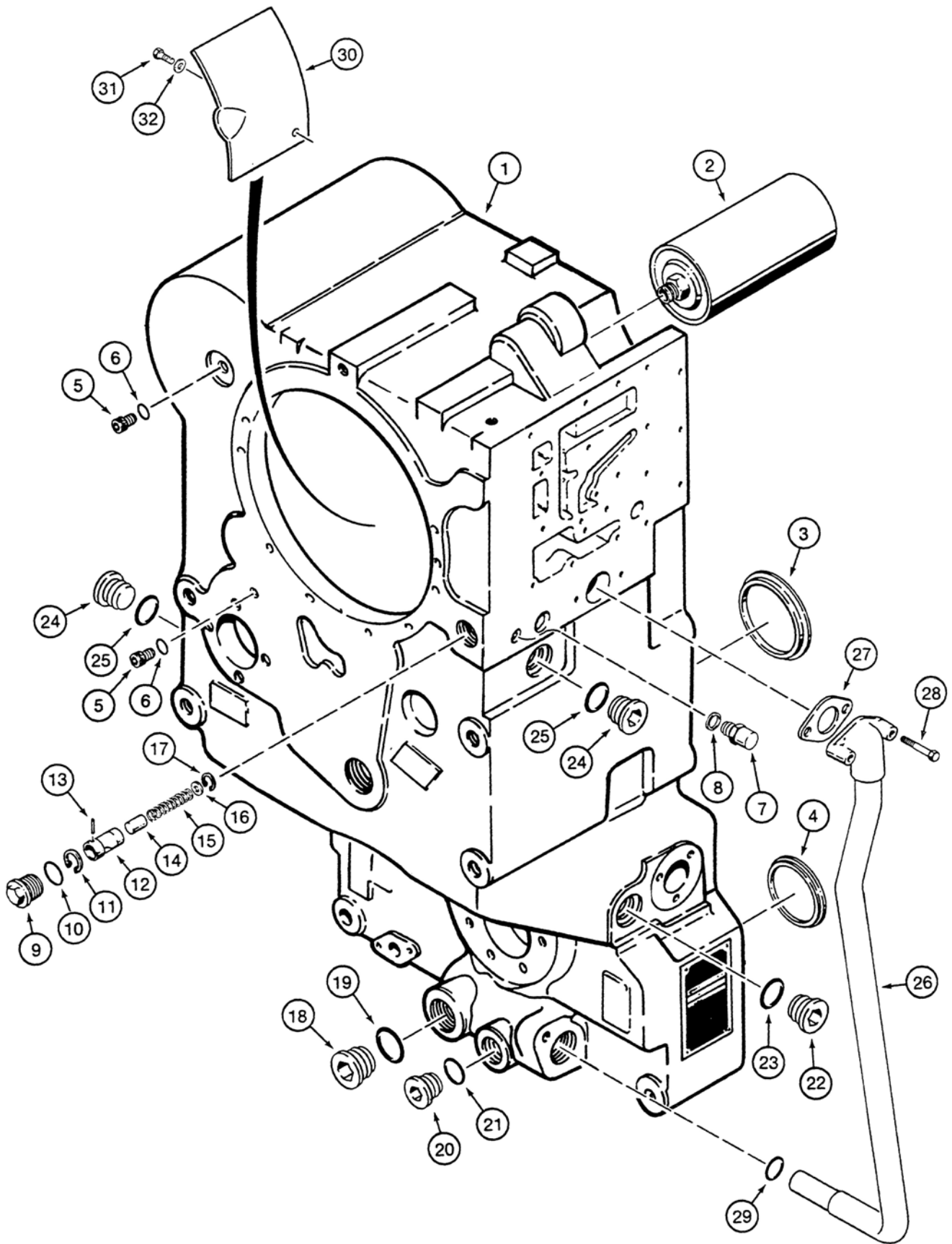


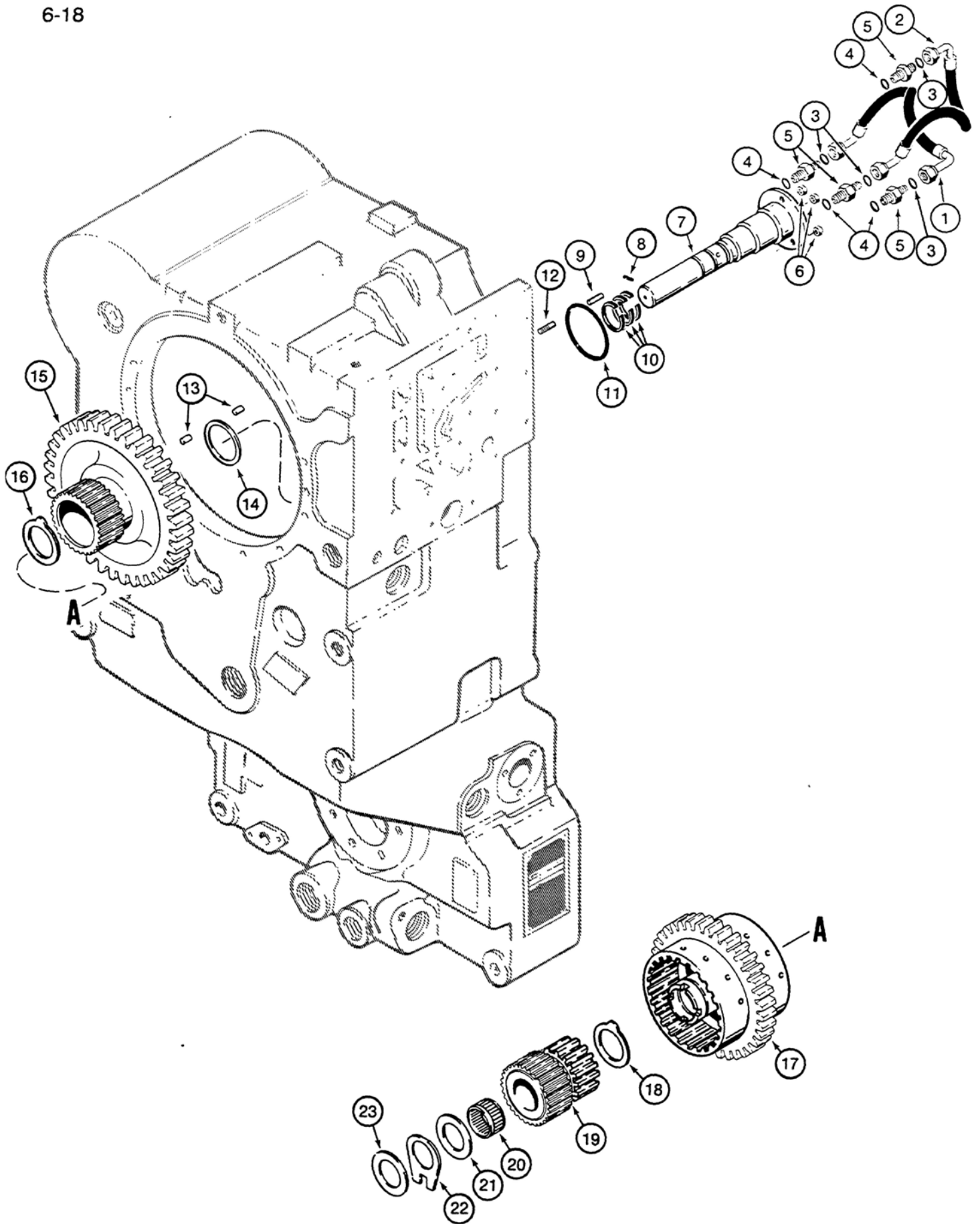


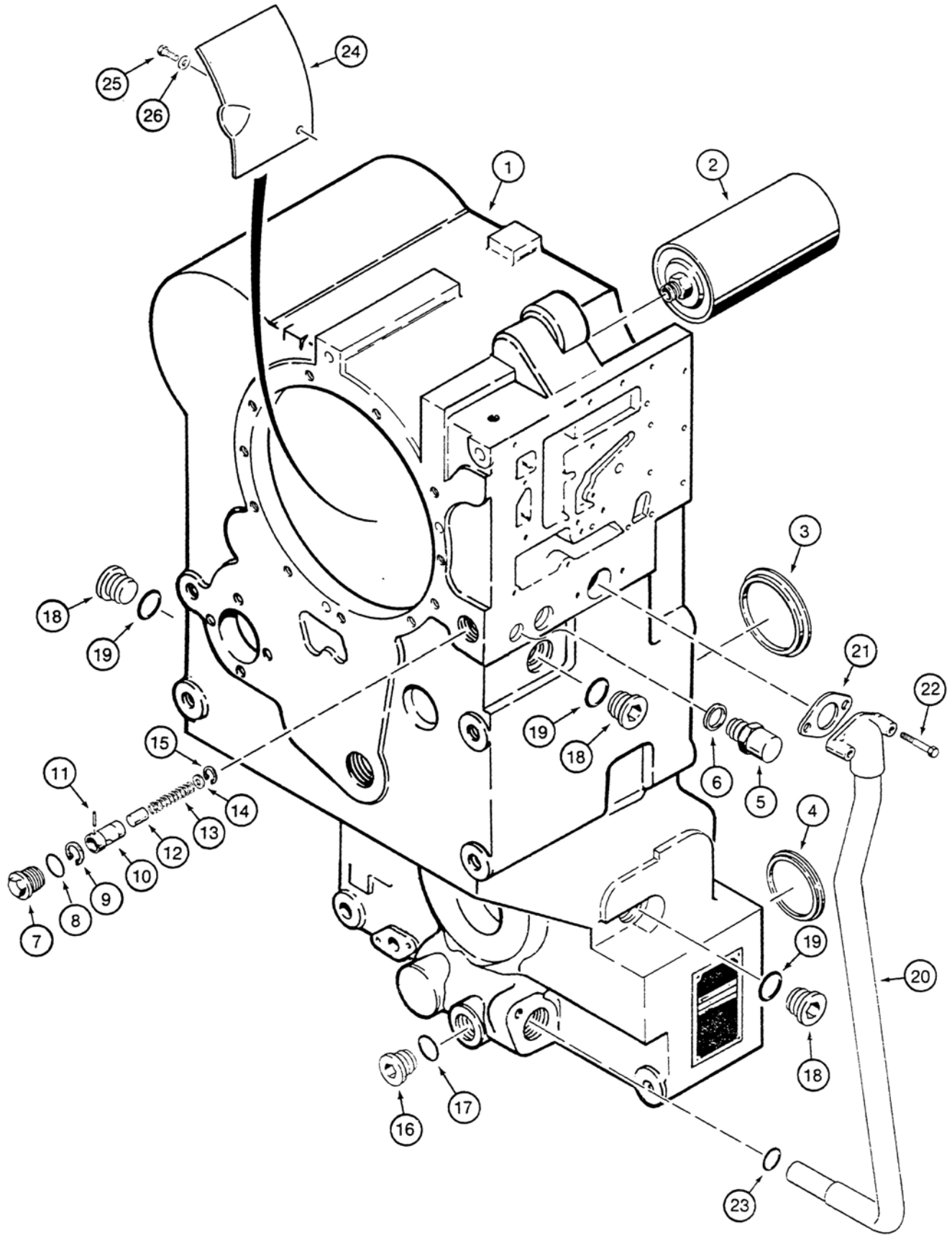


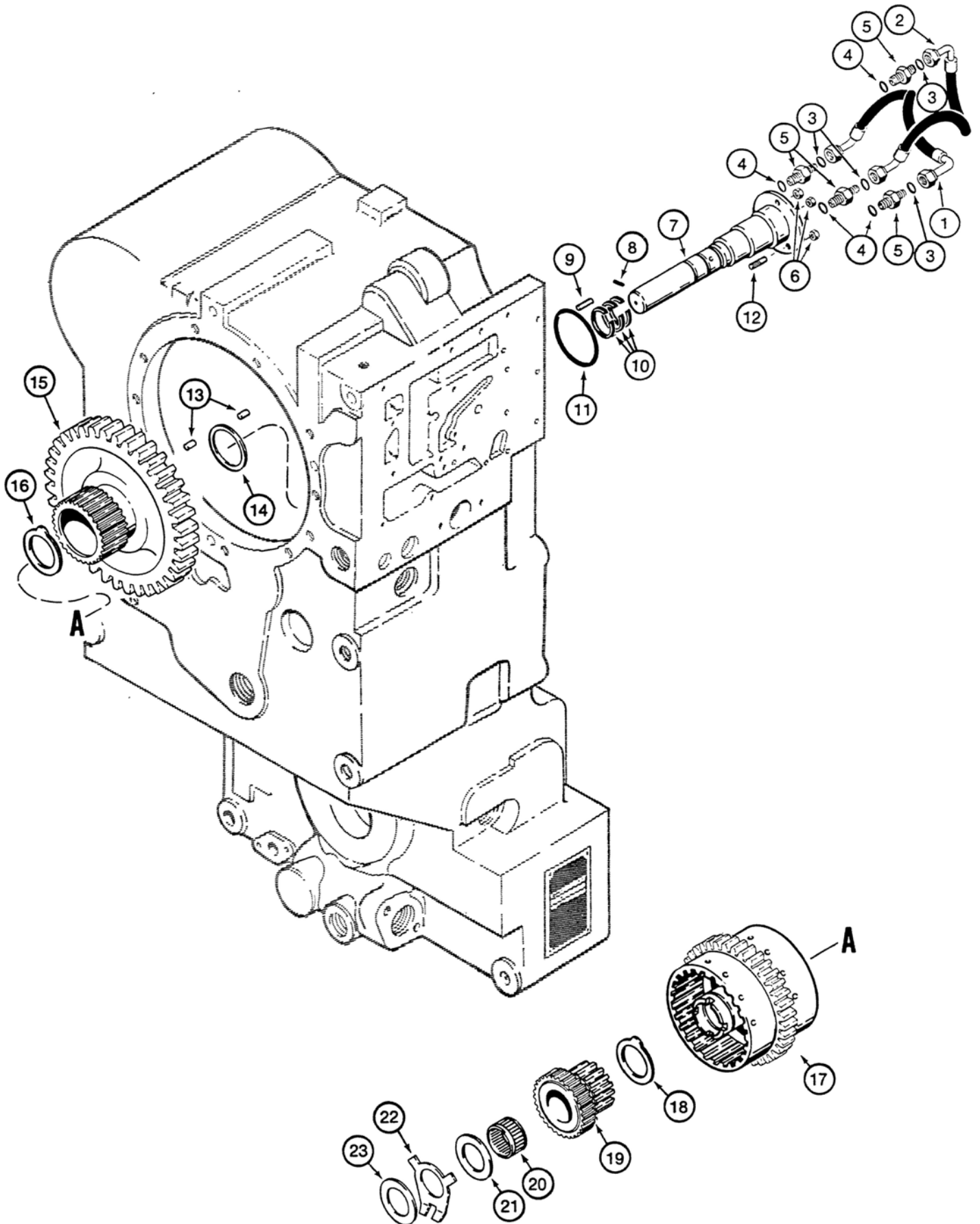


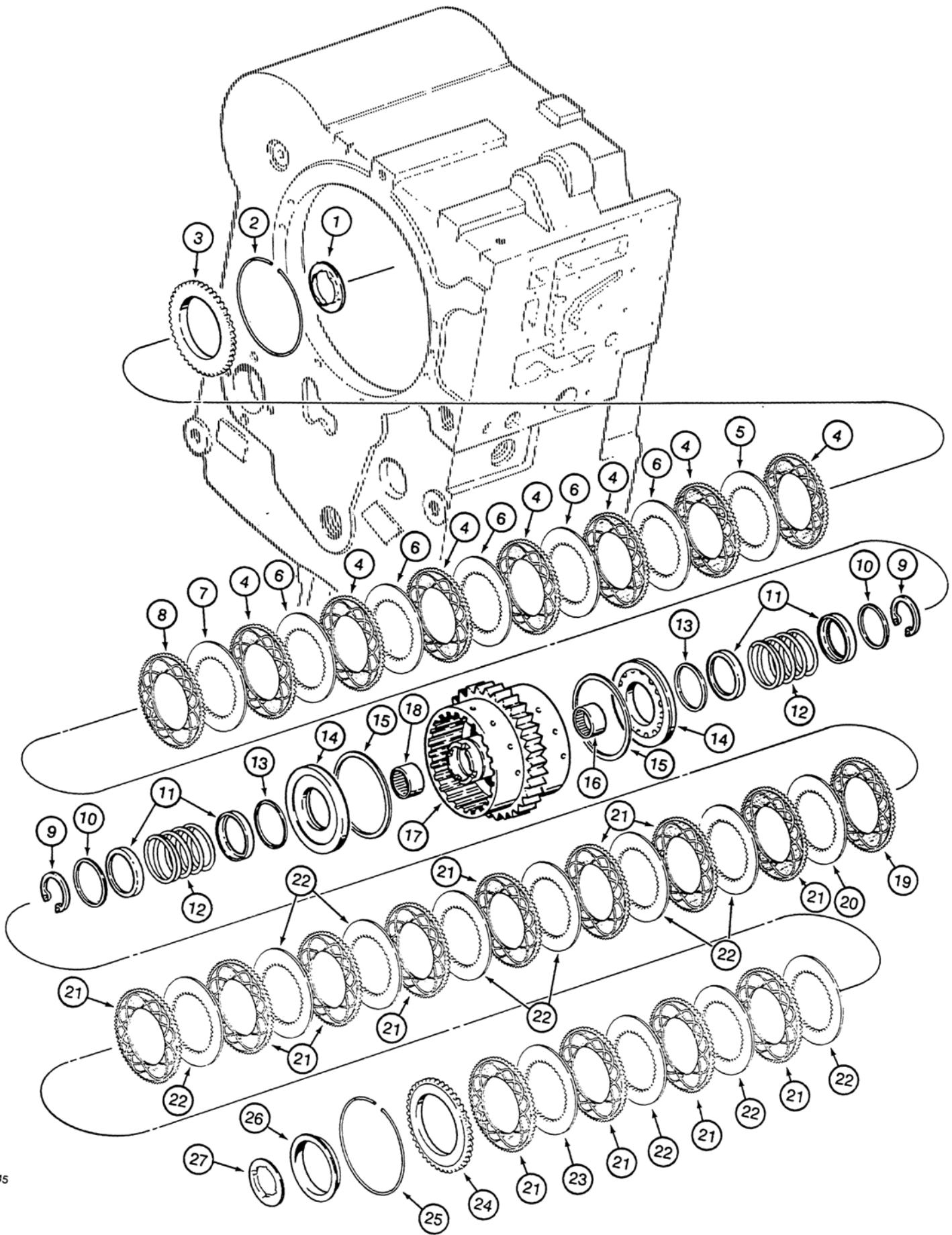


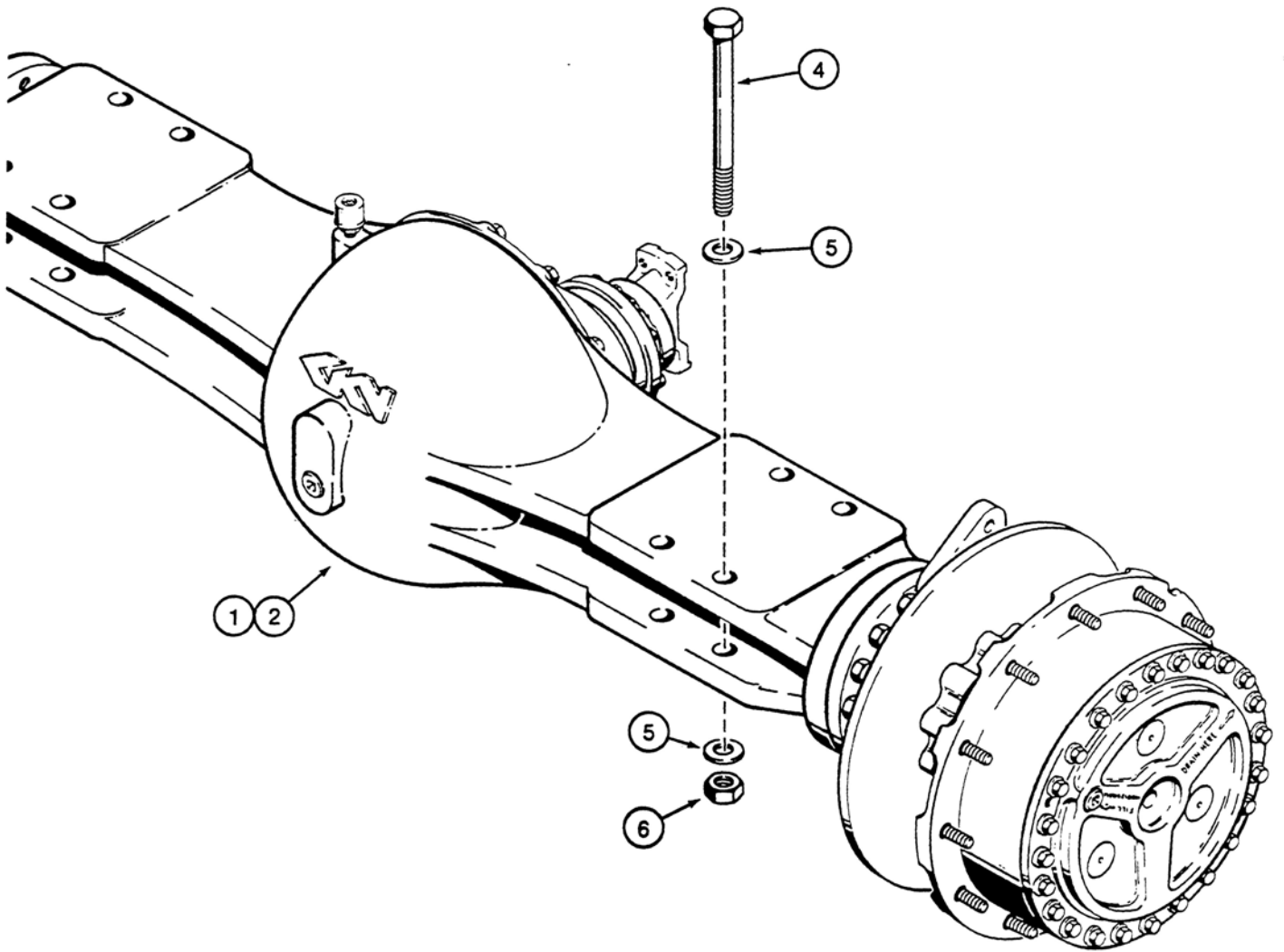












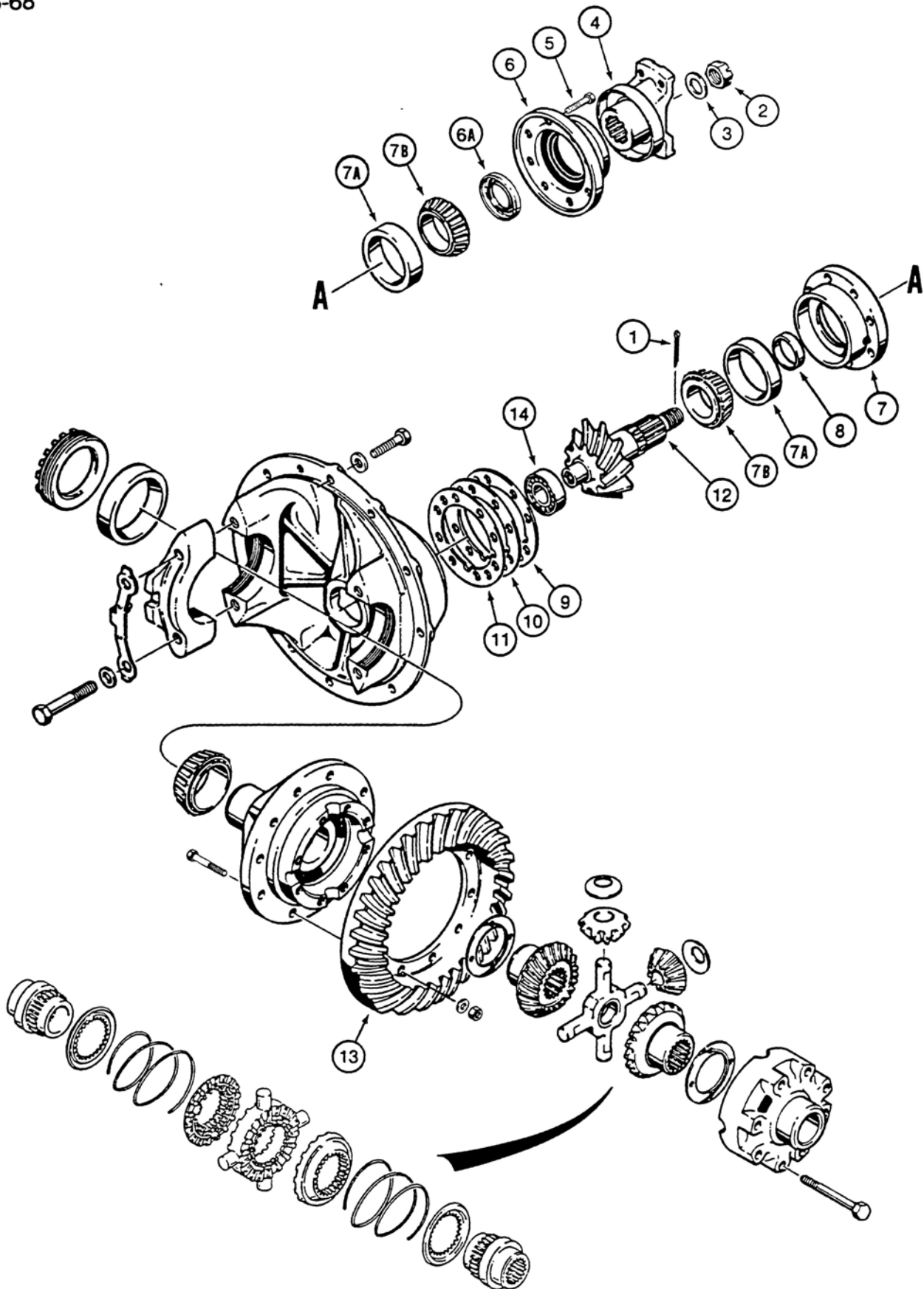
CLICK HERE TO **DOWNLOAD** THE COMPLETE MANUAL

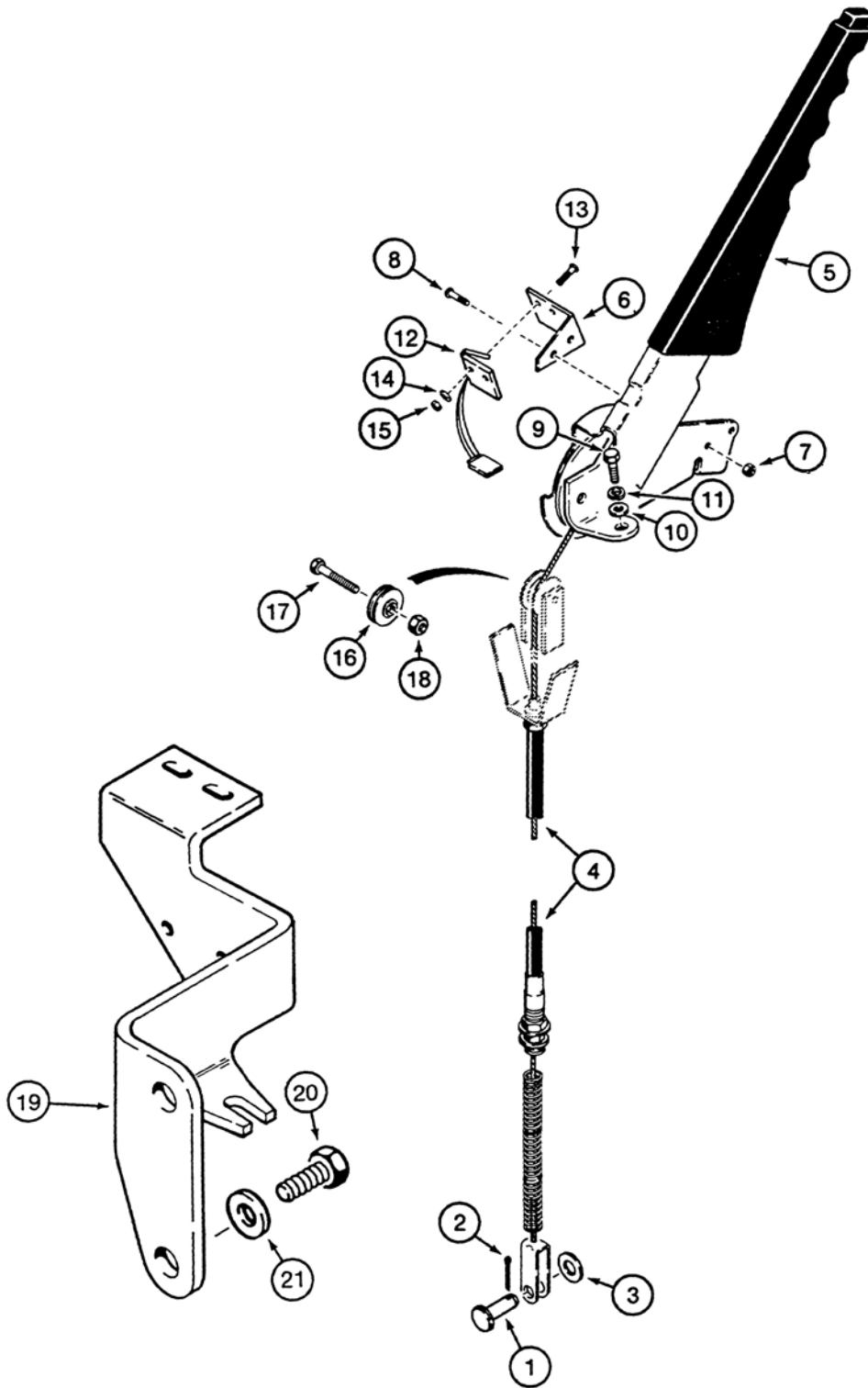
- Thank you very much for reading the preview of the manual.
- You can download the complete manual from: www.heydownloads.com by clicking the link below

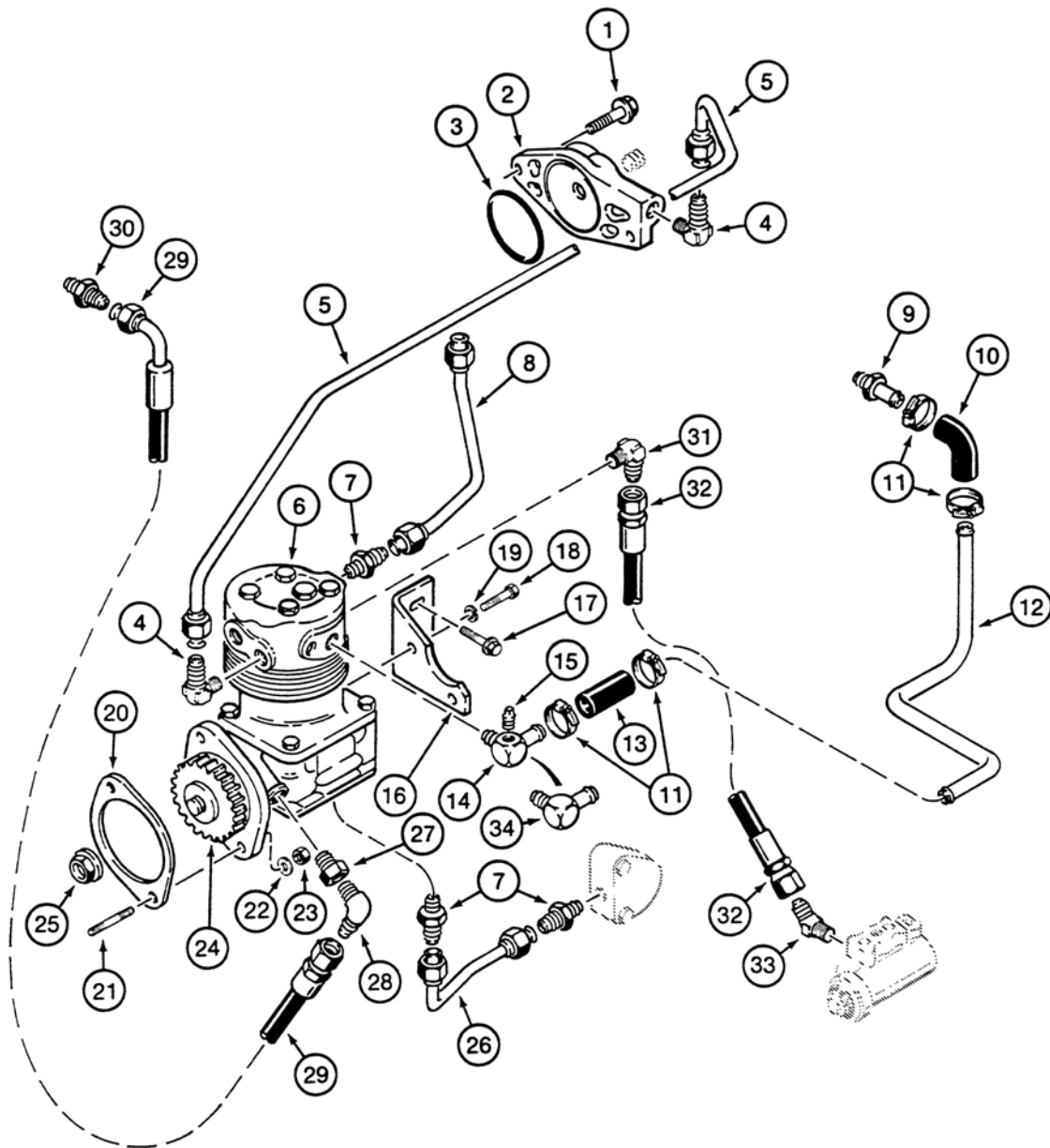


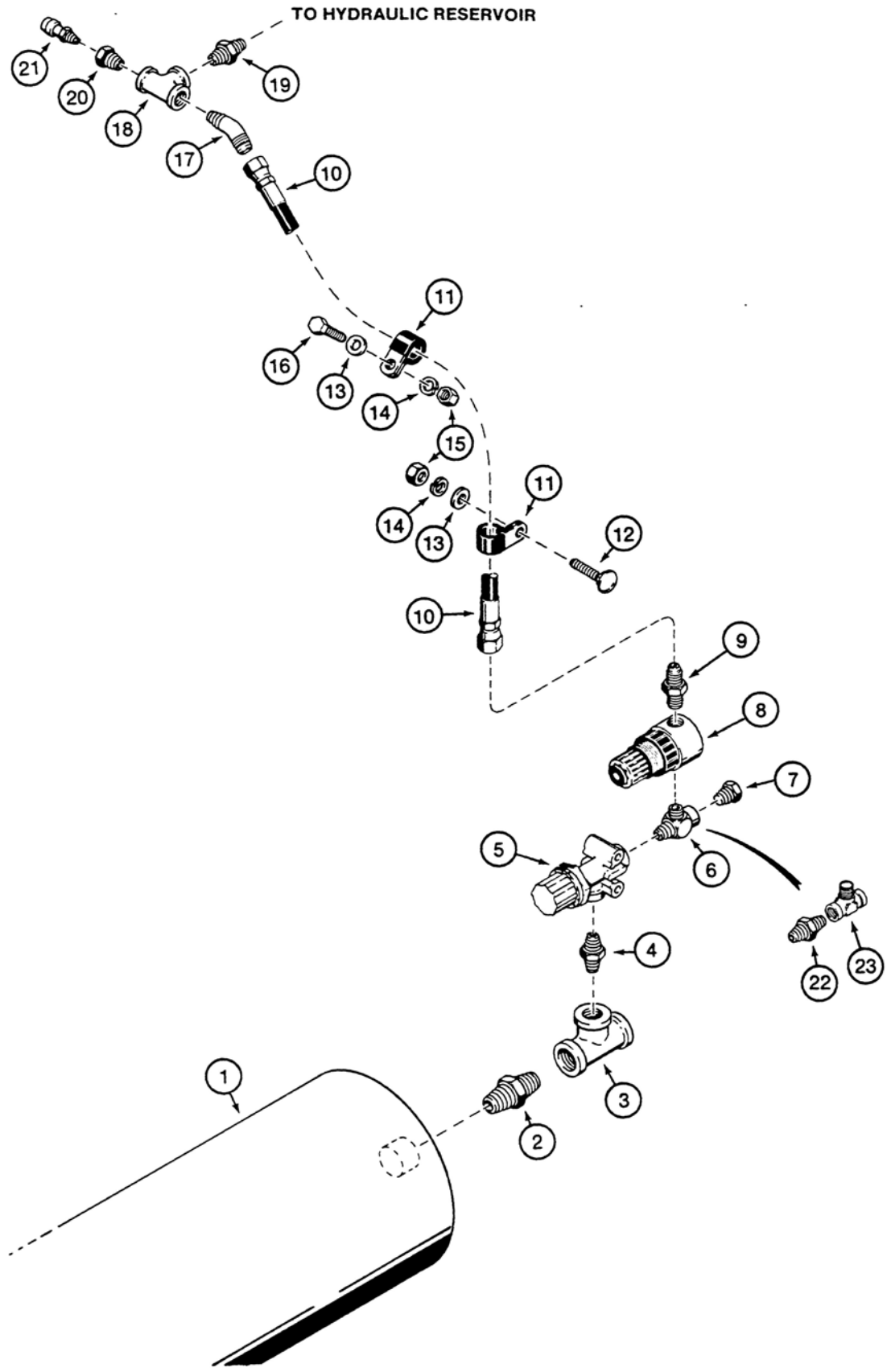
- Please note: If there is no response to CLICKING the link, please download this PDF first and then click on it.

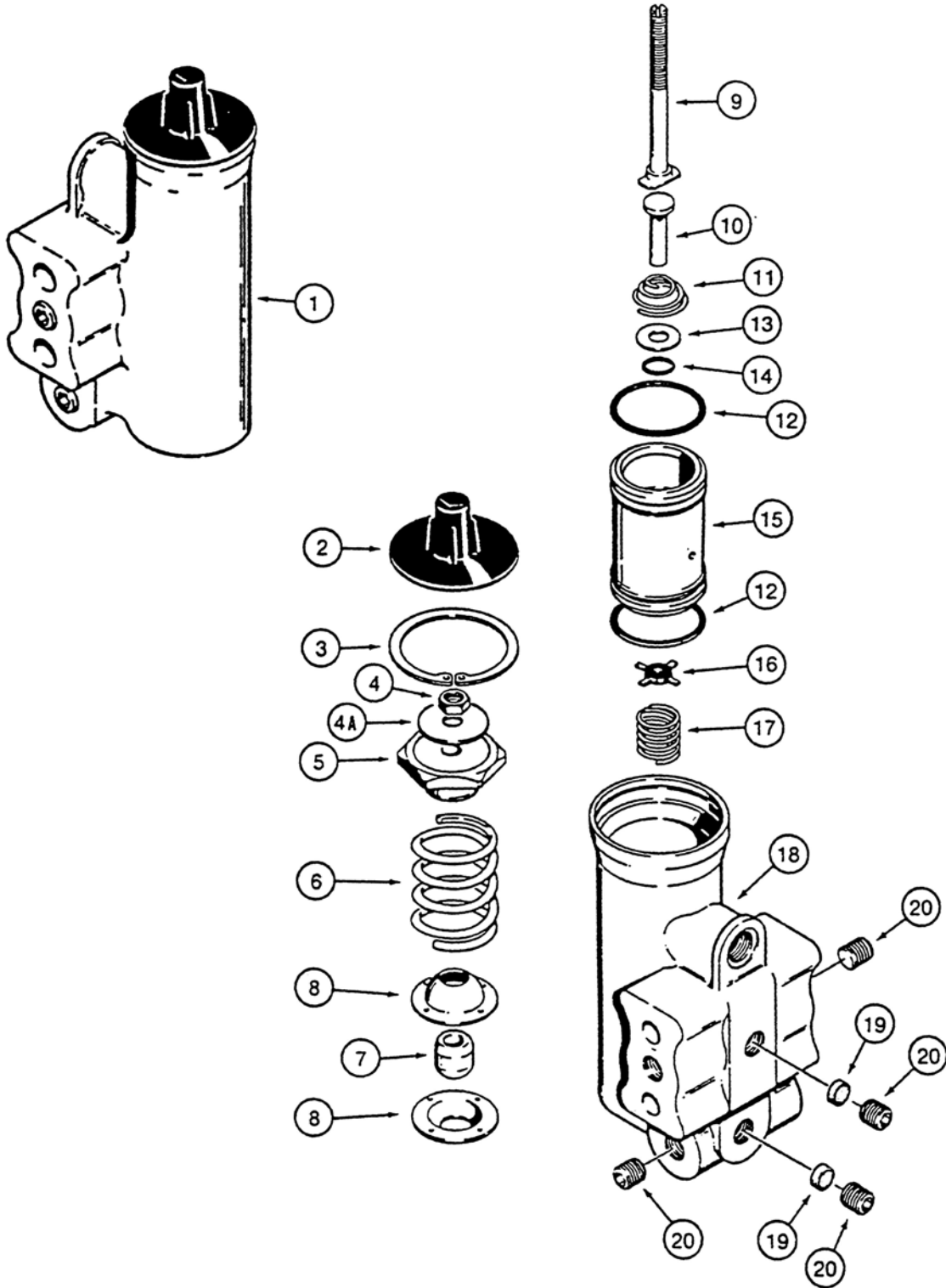
CLICK HERE TO **DOWNLOAD** THE COMPLETE MANUAL

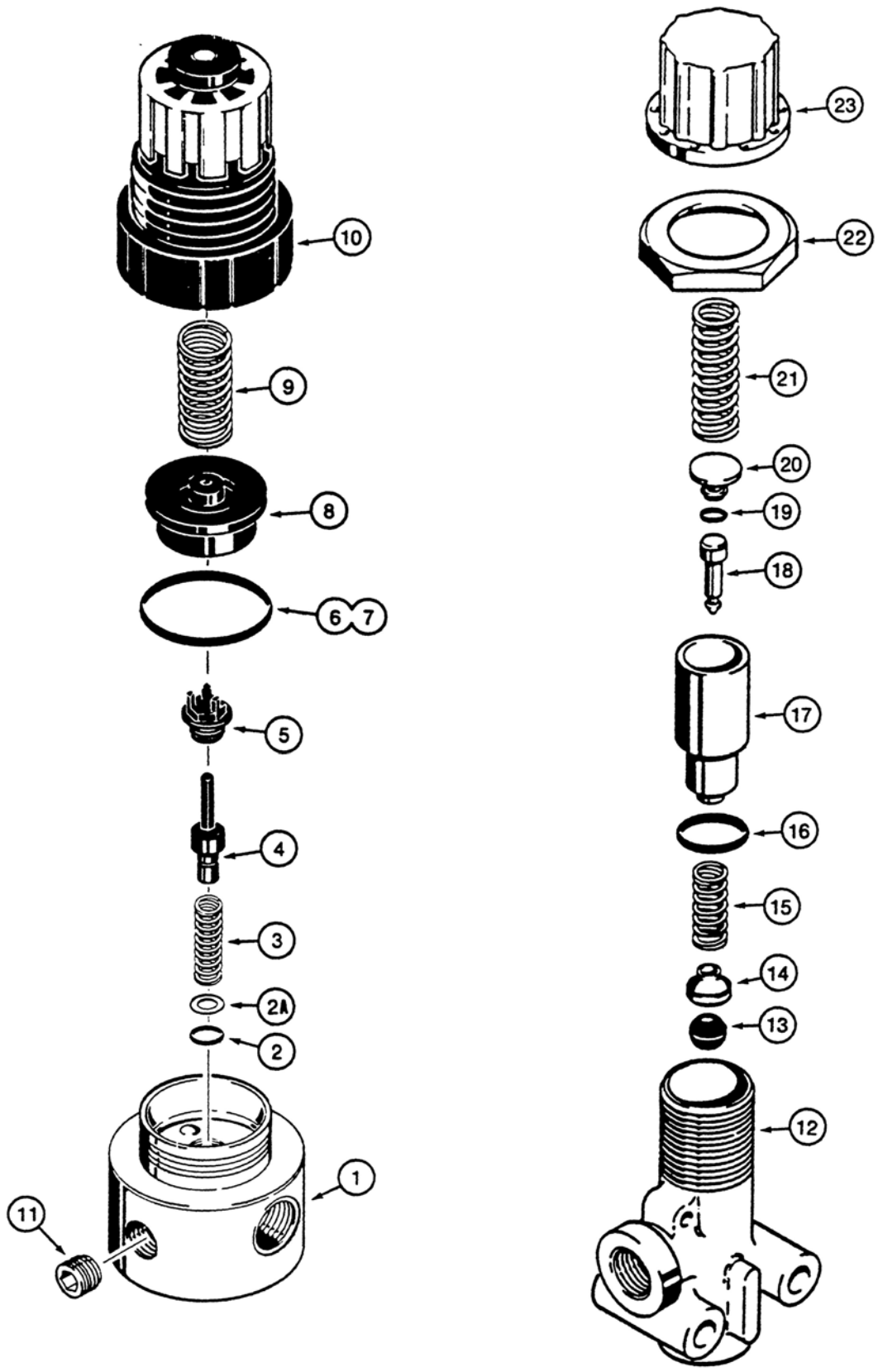


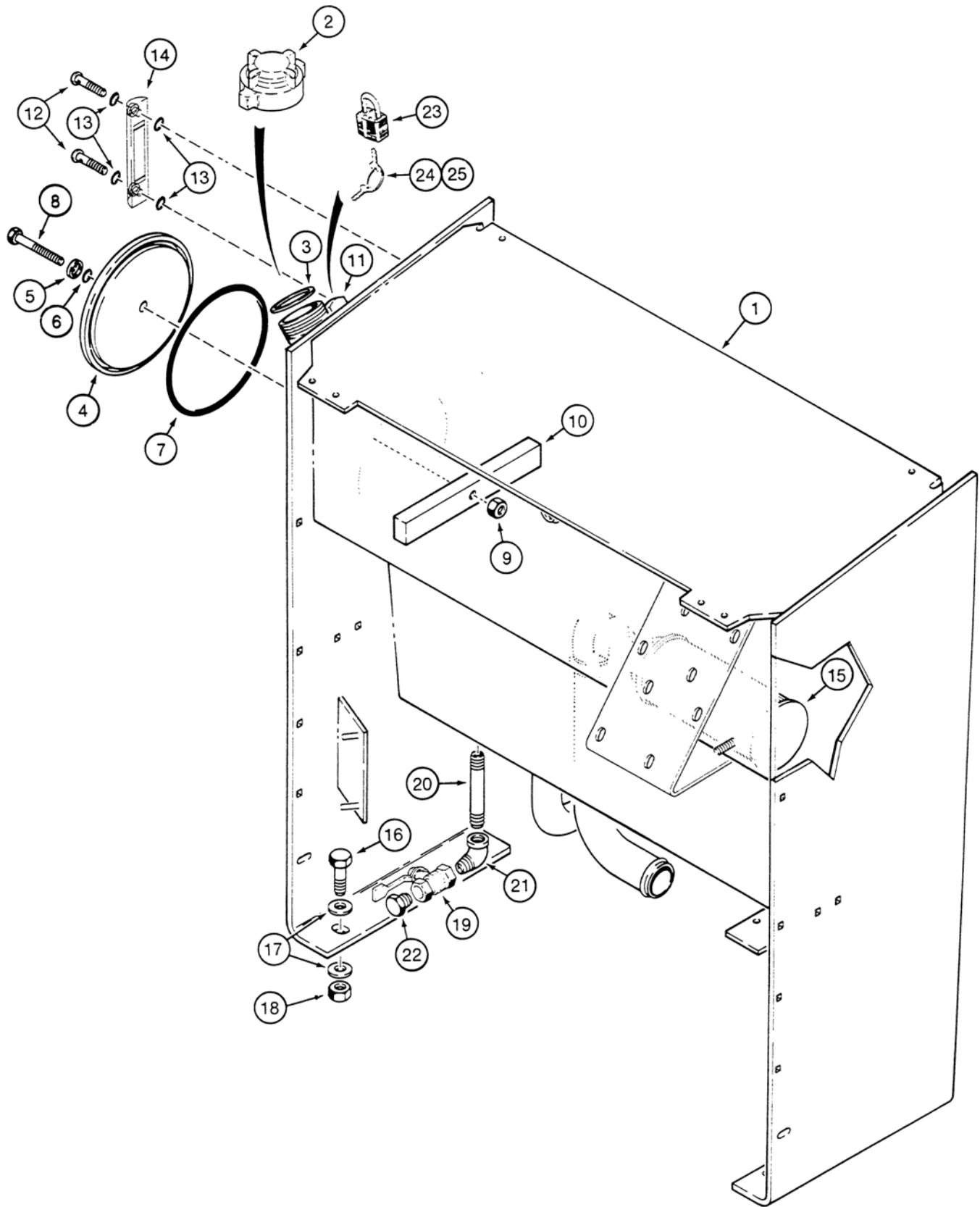


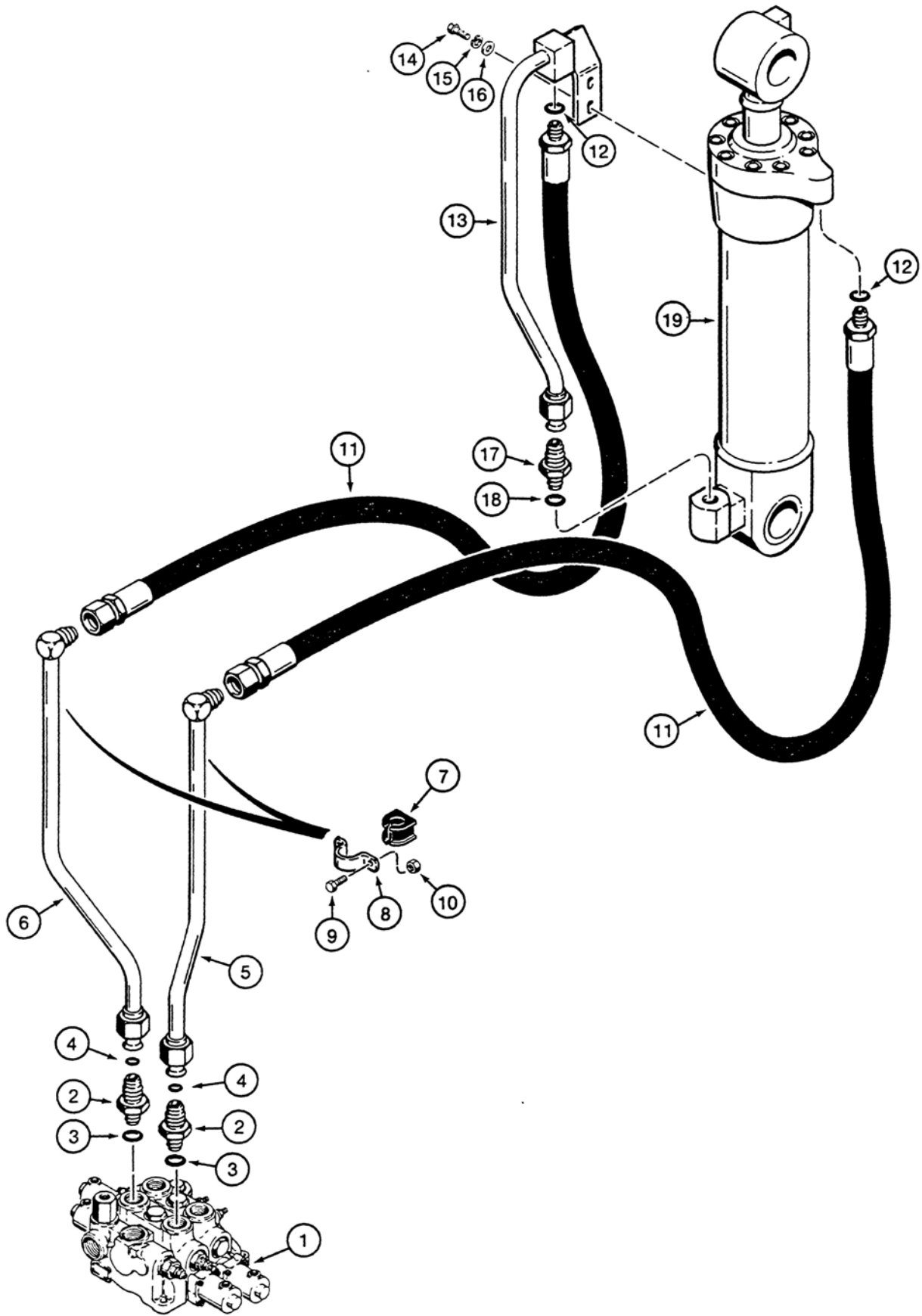


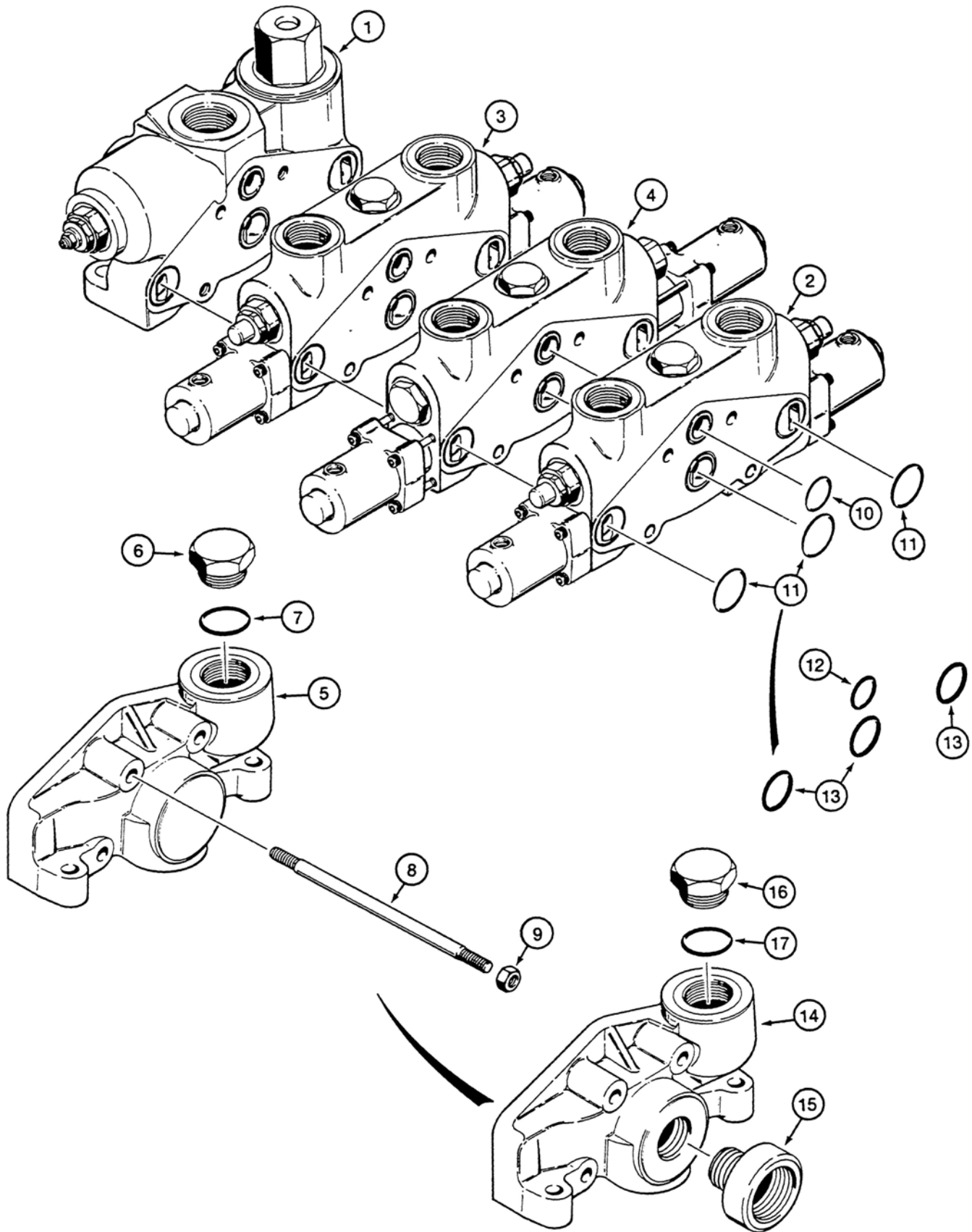


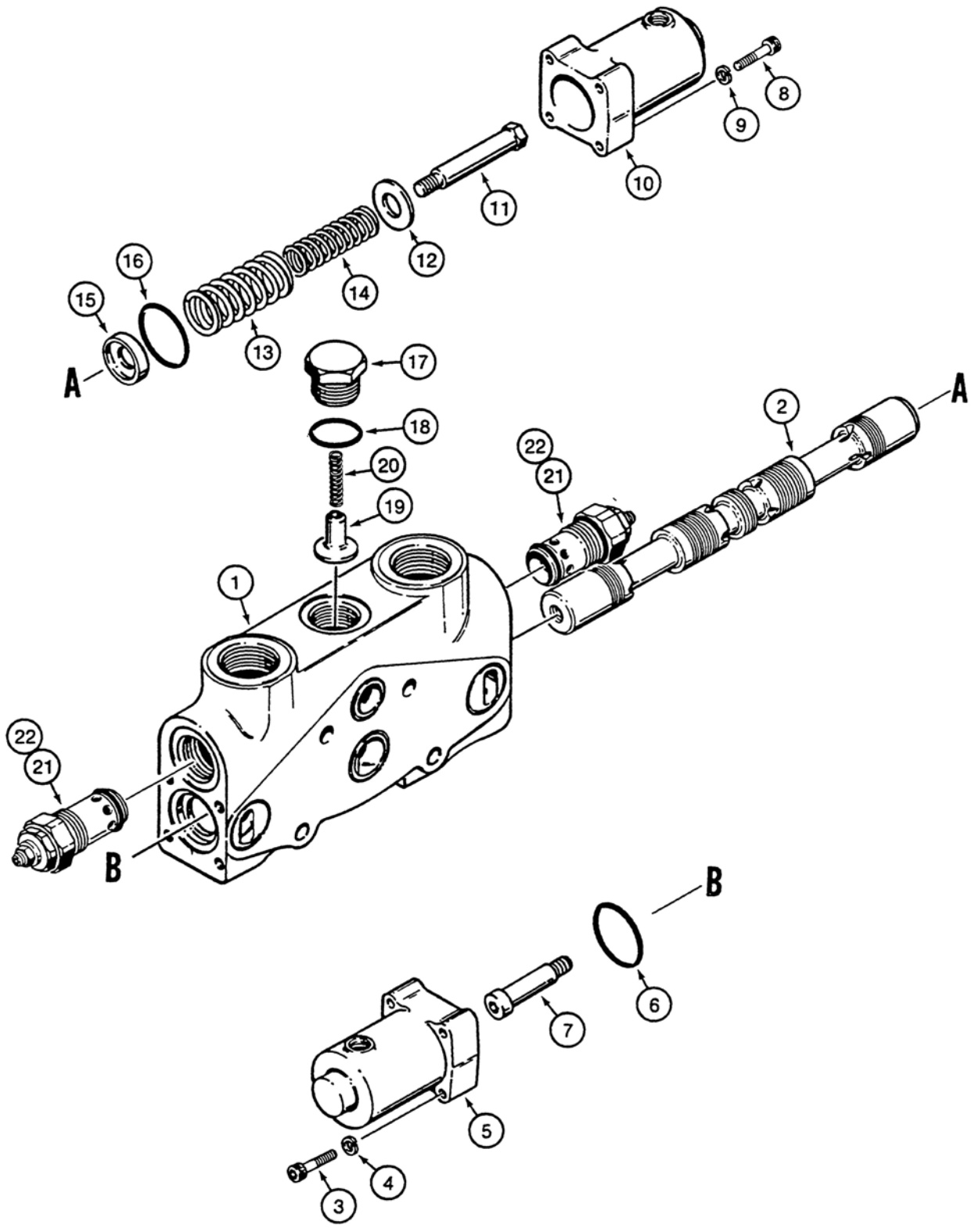


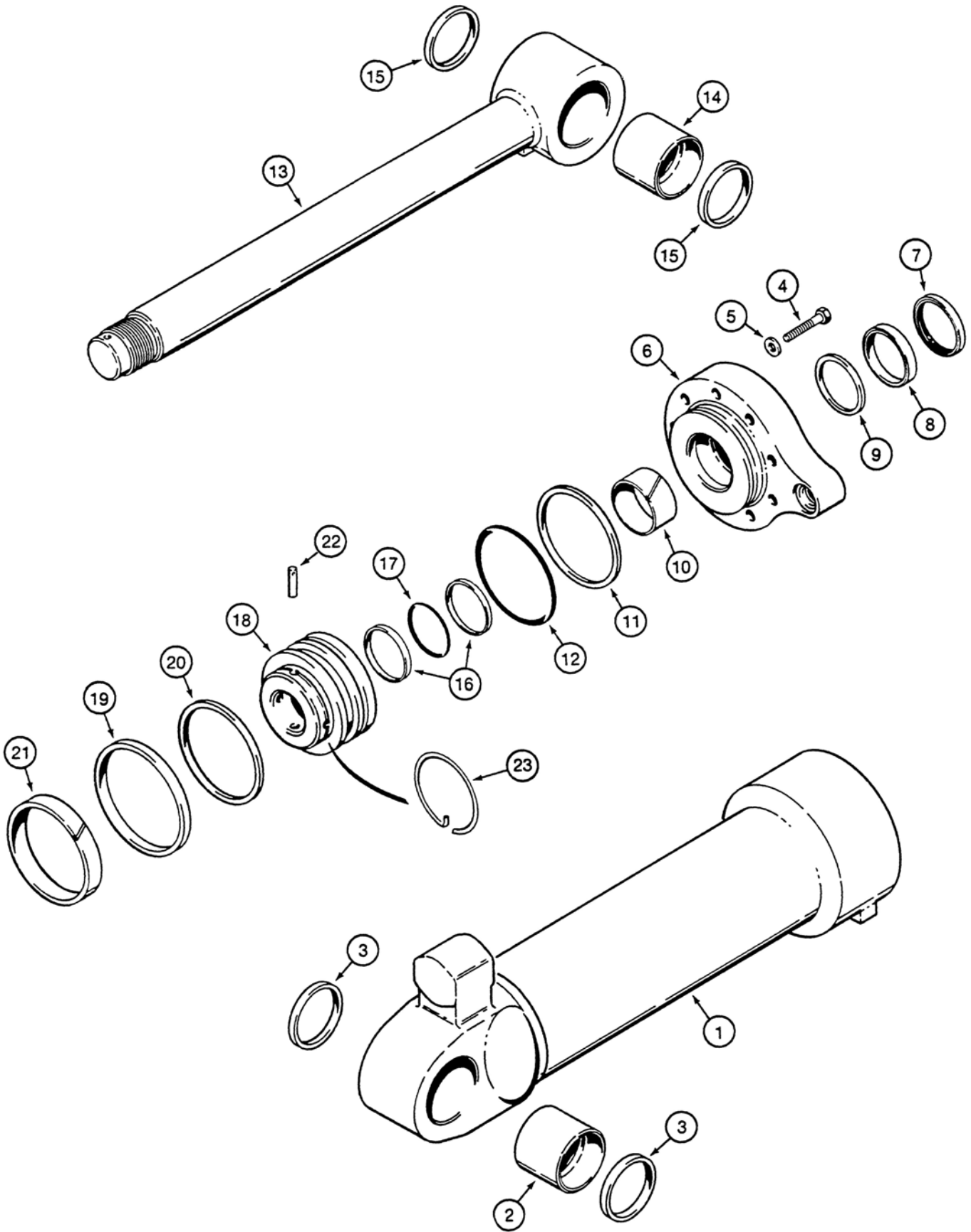


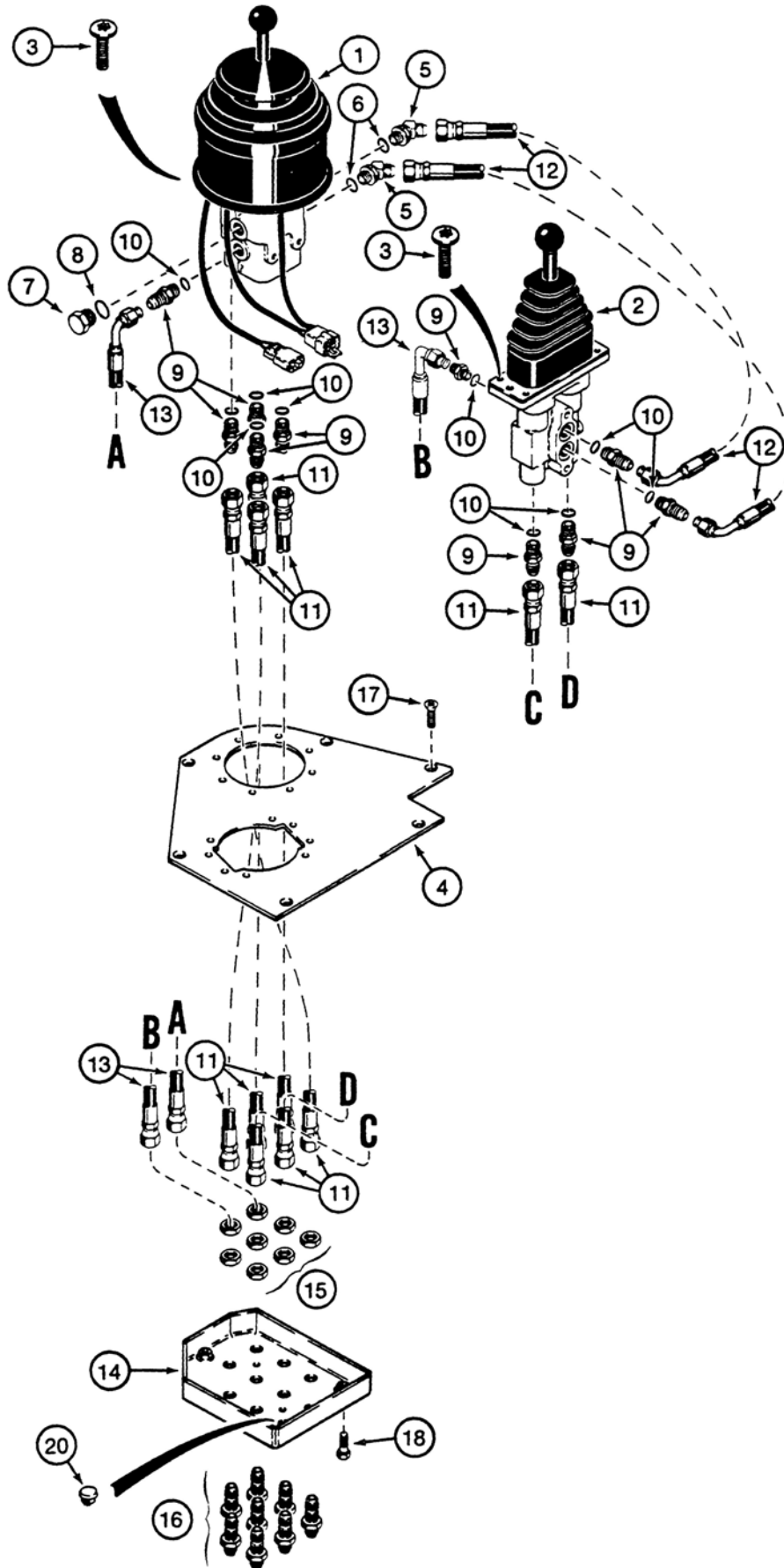




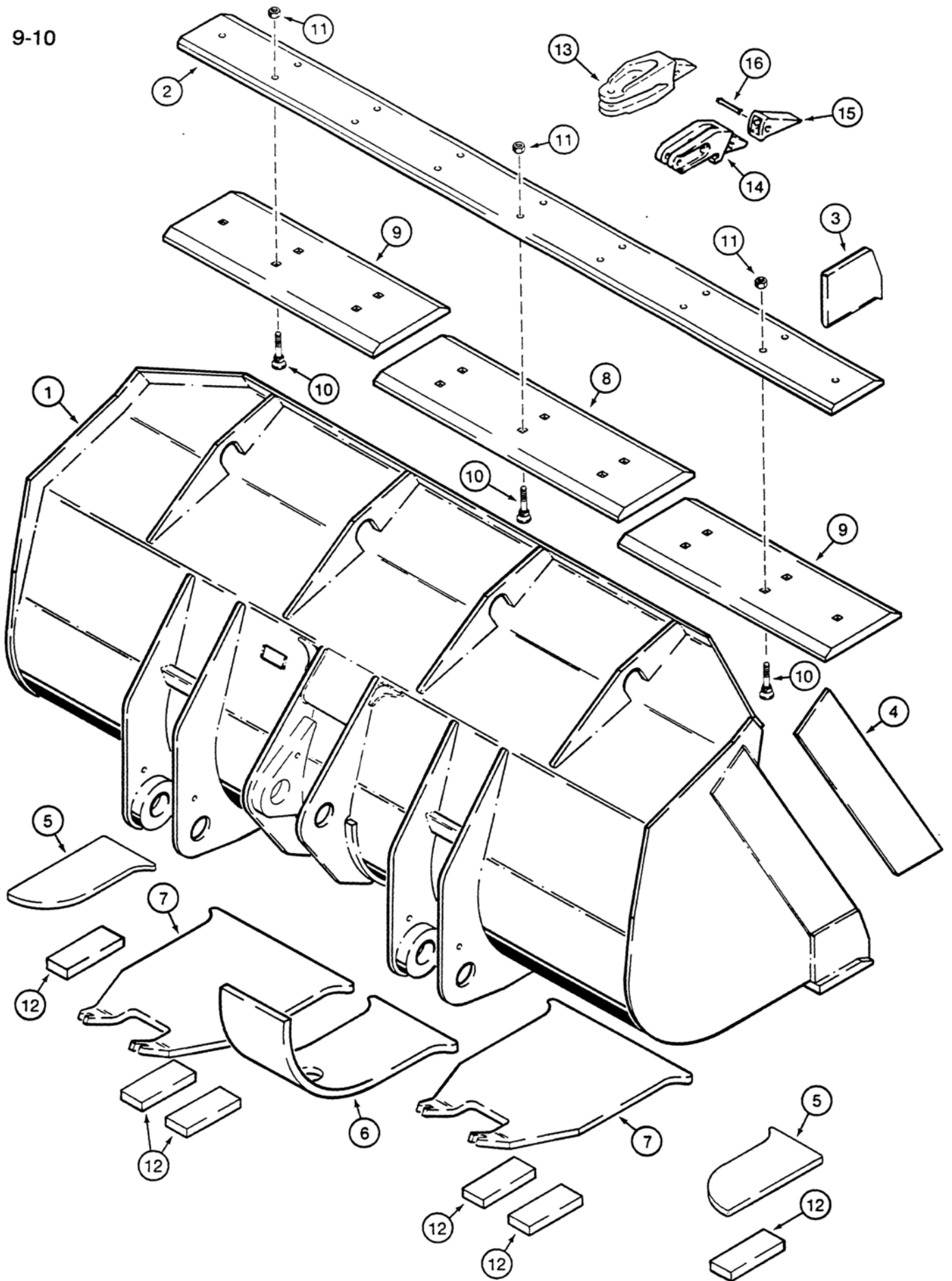


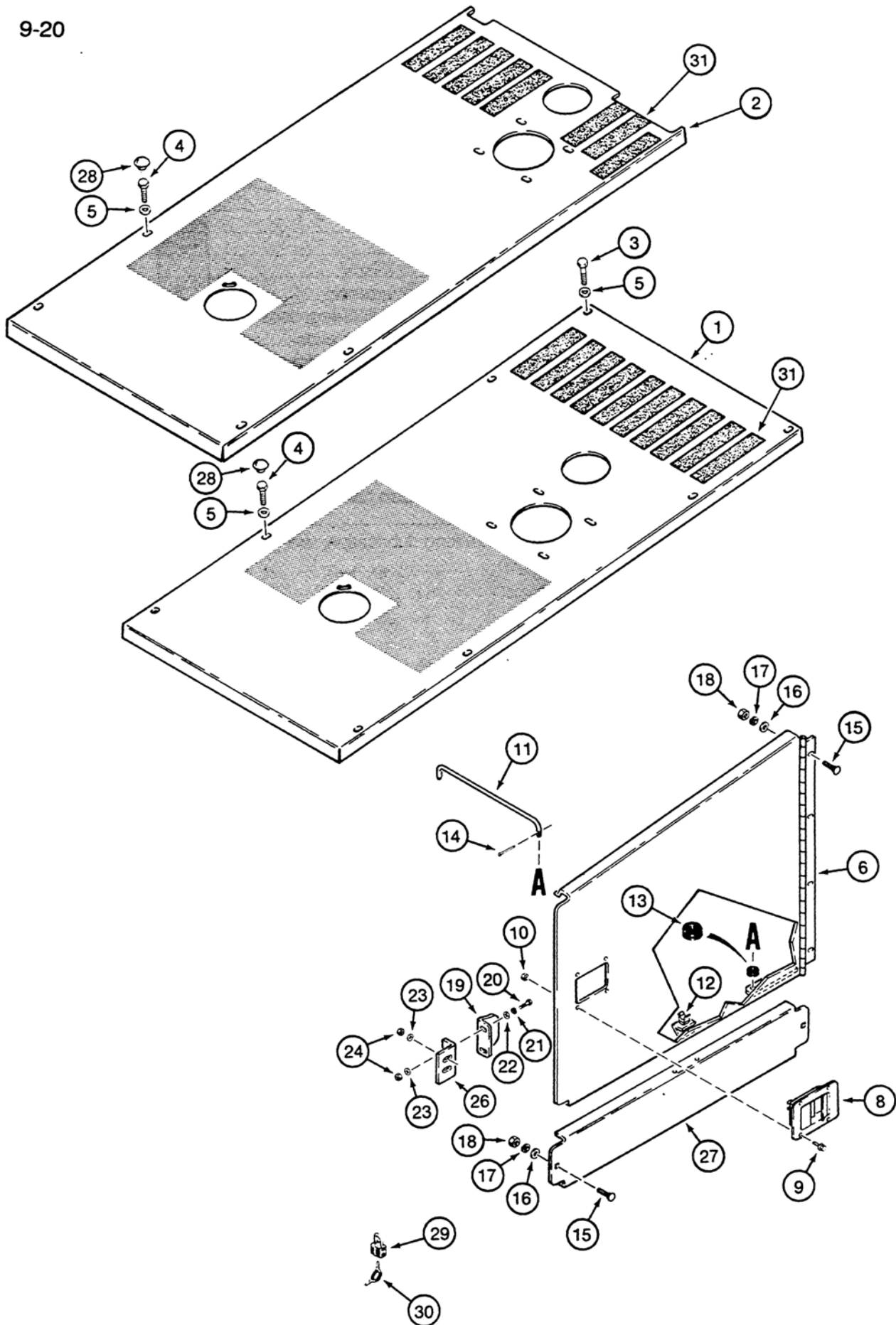


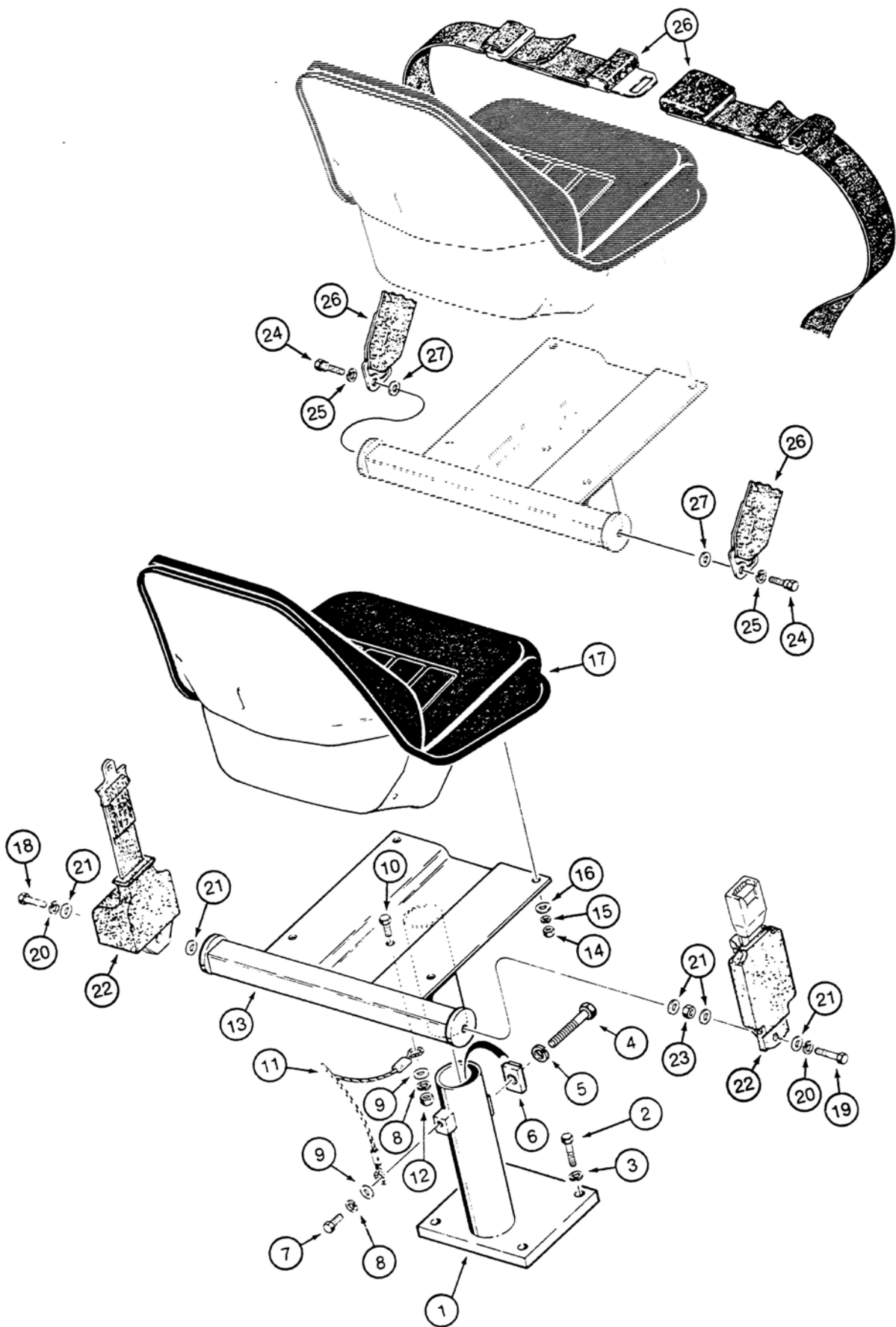


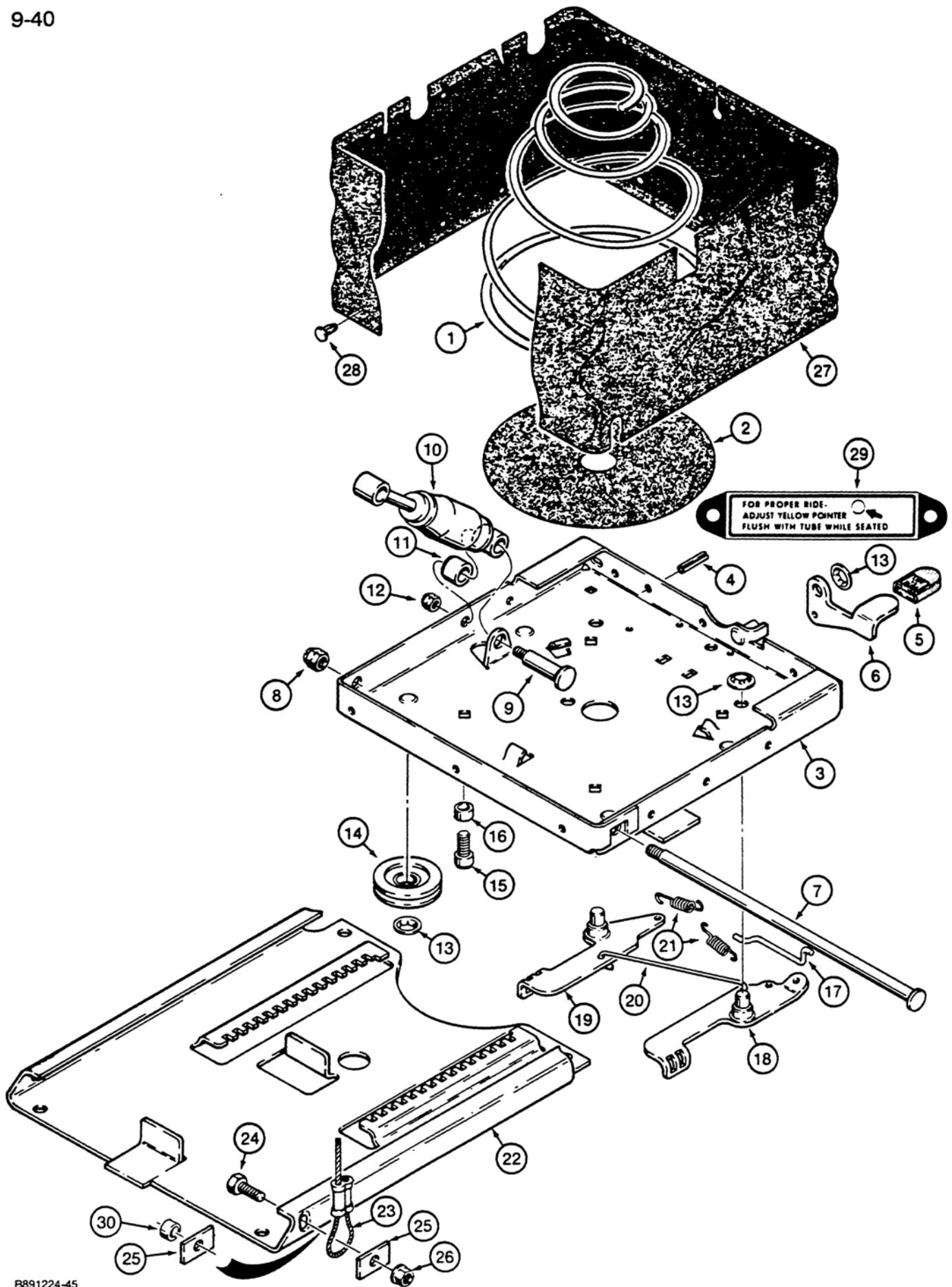


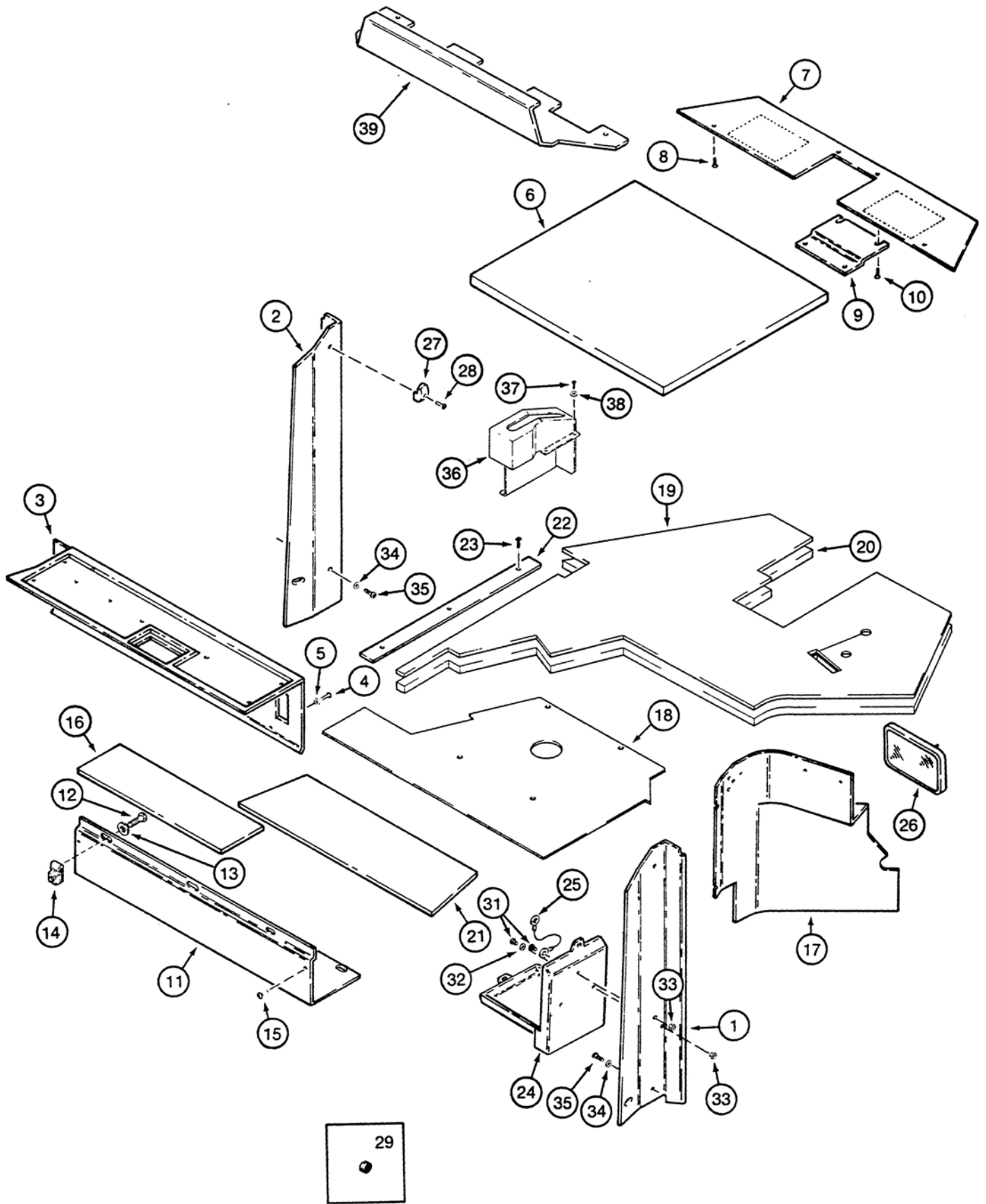
9-10

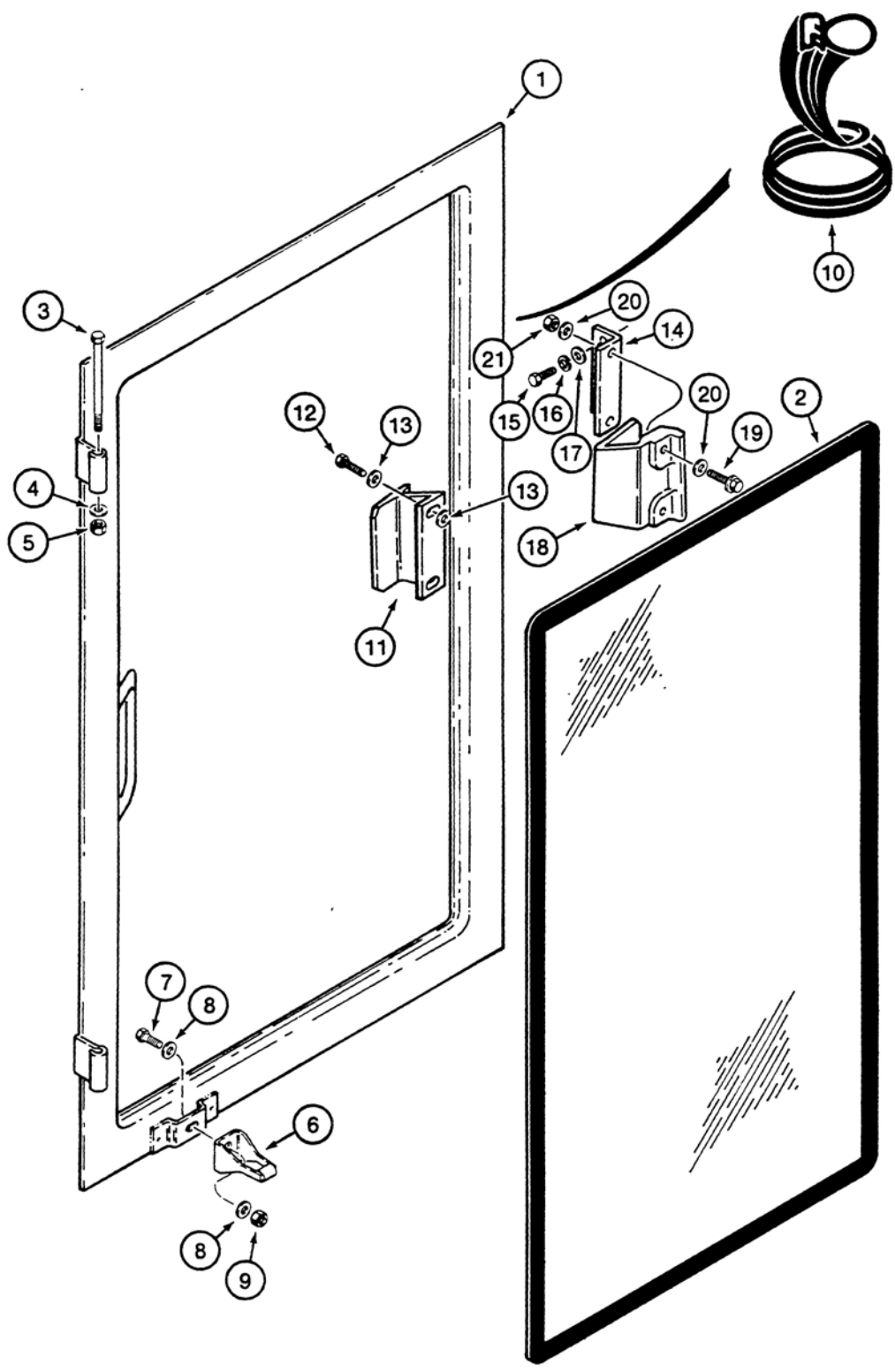


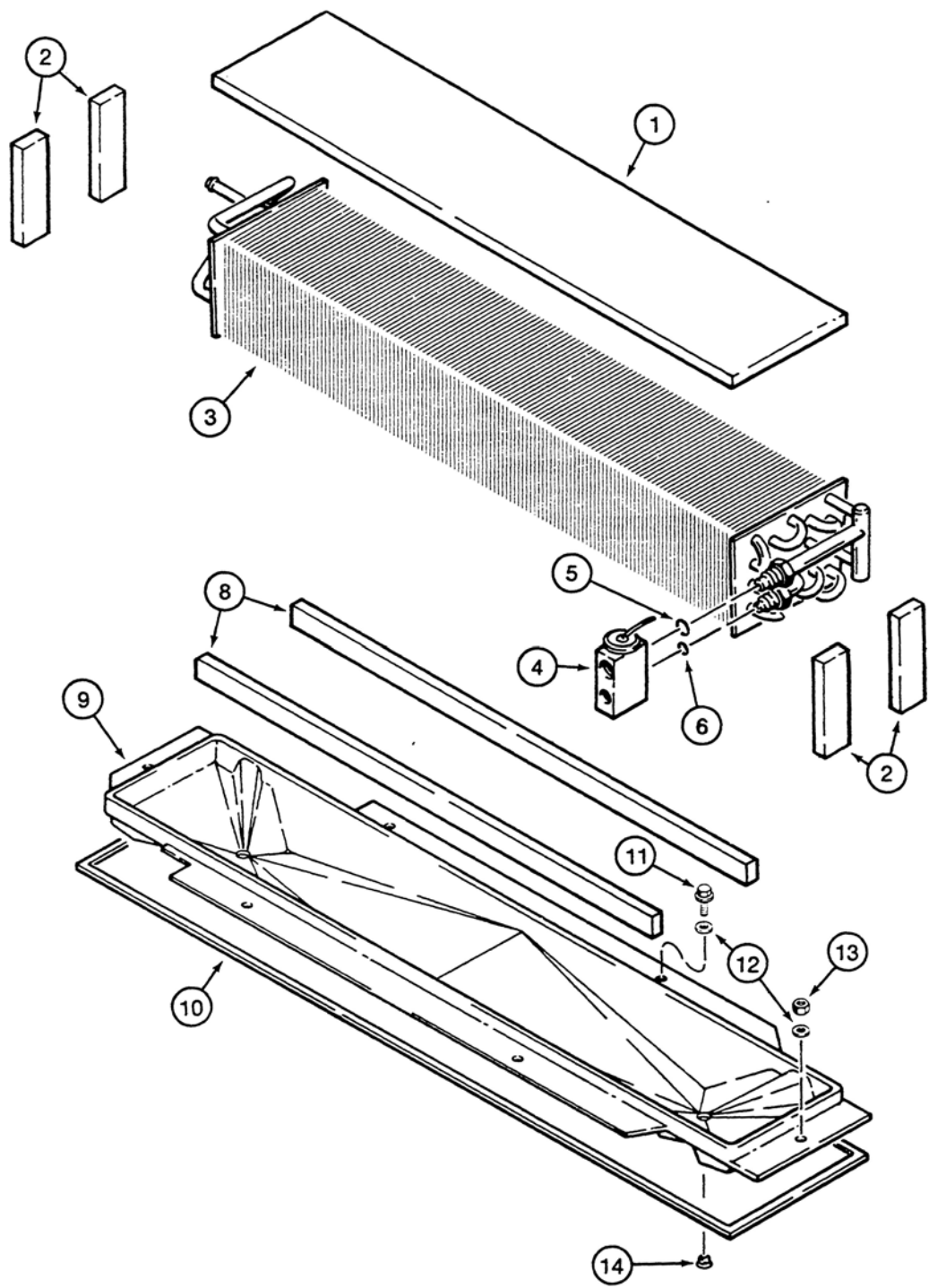


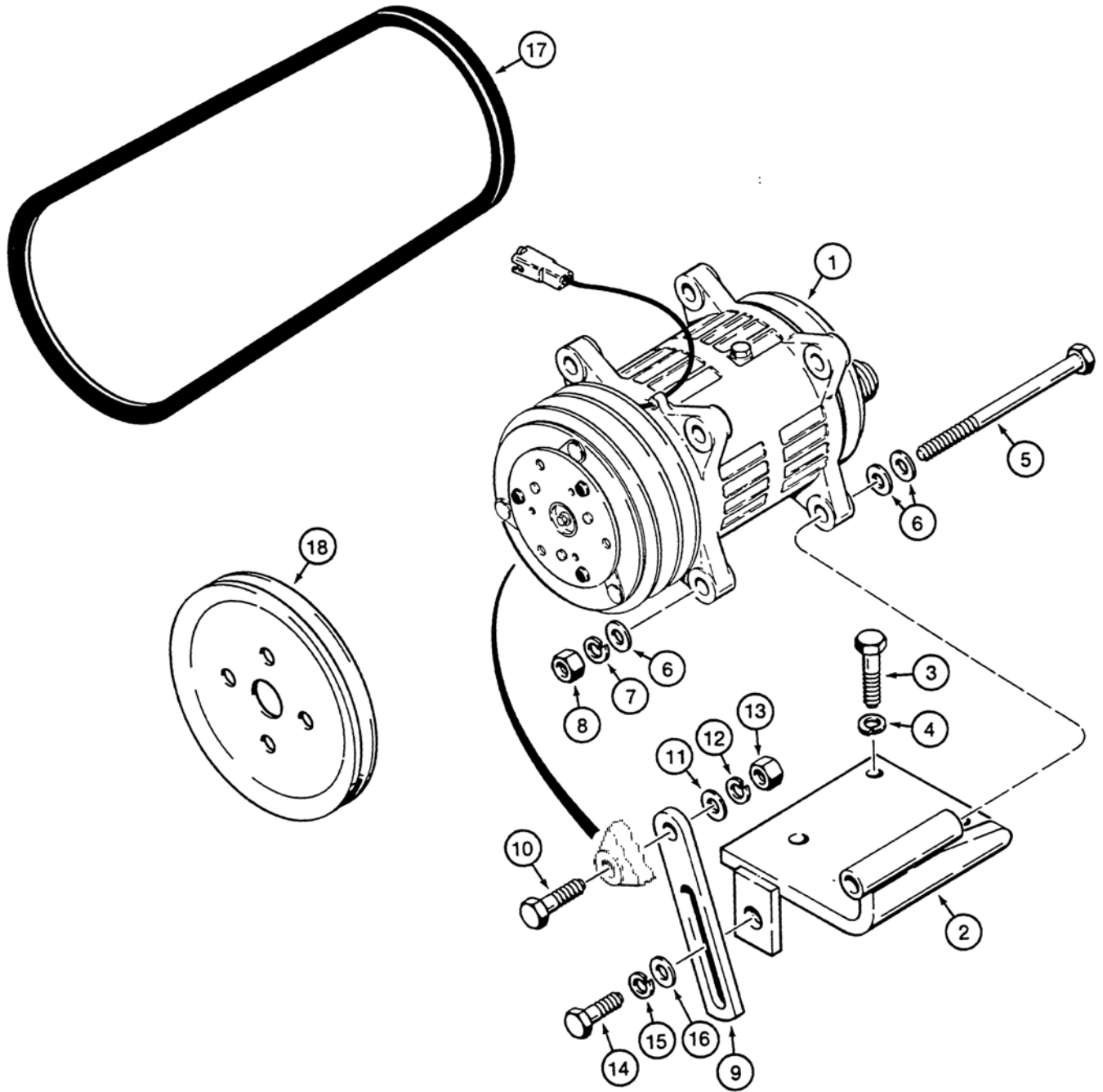












**BEFORE STARTING ENGINE
TRANSMISSION FLUID
SHOULD BE ABOVE THIS LEVEL** →

TRANSMISSION OIL LEVEL
OBSERVE ADD AND FULL MARKINGS
DO NOT OVER FILL!

CHECK OIL LEVEL WITH:
1. TRACTOR ON LEVEL GROUND
2. PARKING BRAKE ON
3. TRANSMISSION IN NEUTRAL
4. ENGINE RUNNING AT LOW IDLE

1

WARNING

OVER-PRIZED HYDRAULIC OIL
TENDS TO BUILD UP IN THE
HYDRAULIC RESERVOIR. TO
SERVICE THE HYDRAULIC
SYSTEM SLOWLY LOOSEN THE
HYDRAULIC RESERVOIR CAP
TO RELIEVE THE AIR PRESSURE.
IF YOU DO NOT FOLLOW THESE
INSTRUCTIONS, YOU CAN BE
INJURED.

2

DANGER
KEEP CLEAR OF THIS AREA
WHEN ENGINE IS RUNNING

3

CAUTION

4

**HYDRAULIC
FLUID**

5

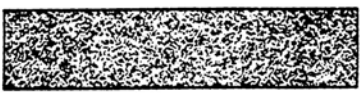
HYDRAULIC OIL LEVEL
COLD OIL LEVEL MUST BE
1/4 TO 1/2 FULL IN GAUGE
DO NOT OVERFILL

6

WARNING

ONLY USE SERVICE LUBRICANT SYSTEMS TO MAINTAIN
ONLY SERVICE LUBRICANTS
DO NOT EXHAUST FAN SPARK CAP & REMEMBER
TO HANDLE RADIATOR CAP AND SYSTEM FLUIDS CAREFULLY
NOTE: THESE PARTS ARE ALL PRESSURE RELEASED
WARNING: CAN RESULT IN SEVERE BURNING OR SCALDING

7



8

WARNING

WRONG JUMPER CABLE
CONNECTIONS TO STARTER
TERMINALS OR BATTERY
ACROSS THE STARTER
TERMINALS CAN CAUSE
THE MACHINE TO MOVE
SUDDENLY OUT OF
CONTROL. YOU CAN BE
INJURED OR KILLED.
USE THE CORRECT METHOD
SHOWN IN THE OPERATOR'S
MANUAL TO CONNECT
JUMPER CABLES TO START
THE ENGINE.

9

WARNING

BATTERIES CONTAIN ACID AND EXPLOSIVE
GAS. EXPLOSION CAN RESULT FROM
SPARKS, FLAMES OR WRONG CABLE CON-
NECTIONS TO CONNECT JUMPER CABLES
OR CHARGER. SEE MANUALS FOR THE
CORRECT PROCEDURE. FAILURE TO
FOLLOW THE ABOVE INSTRUCTIONS CAN
CAUSE SERIOUS PERSONAL INJURY OR
DEATH.

10

WARNING

ROTATING FAN AND BELTS.
CONTACT CAN INJURE.
KEEP CLEAR.

11

TRUNNION
GREASE

12



27

13



14



26



16

621

17



18



19

WARNING BEFORE STARTING ENGINE... **WARNING** FASTEN SEAT BELT... **CAUTION** PRESSURE ACCUMULATOR IN LOADER VALVE CONTROL SYSTEM... **IMPORTANT** THIS UNIT IS EQUIPPED WITH HYDRAULIC ACTUATED LOADER CONTROL LOWER LOADER ARMS IMMEDIATELY AFTER STOPPING ENGINE AFTER RESERVE HYDRAULIC PRESSURE IS LOST. LOADER ARMS WILL NOT LOWER.

20



21



22

IMPORTANT
CHECK ENGINE COOLING SYSTEM WHEN COOLANT IS COLD AND ENGINE IS STOPPED
CHECK COOLANT RESERVOIR FLUID LEVEL DAILY
CHECK RADIATOR FLUID LEVEL EVERY 50 HOURS OF OPERATION OR WEEKLY

28

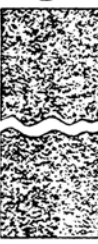


23



24

MAINTENANCE SCHEDULE table with columns for hours, miles, and maintenance tasks.



25

15

NUMERICAL INDEX

PART NO.	PAGE	REF.	PART NO.	PAGE	REF.	PART NO.	PAGE	REF.
J907049	2-29	5	J911822	2-35	22	J916131	2-19	5
J907185	2-21	18	J911822	2-39	22	J916166	2-21	26
J907240	2-31	33	J911922	2-17	6	J916529	2-21	23
J907431	2-33	7	J911935	7-15	10	J916664	2-3	9
J907480	3-13	22	J911936	7-15	13	J916857	2-21	9
J907481	3-13	21	J912126	3-13	1	J916946	3-13	1
J907537	2-27	7	J912473	2-45	3	J917287	2-31	1
J907555	2-31	19	J912473	2-49	33	J917712	3-9	22
J907582	3-11	12	J912506	7-15	16	J917747	3-9	19
J907586	2-35	23	J912558	2-29	22	J917777	3-9	17
J907586	2-39	23	J912703	7-13	1	J917778	3-9	18
J907617	2-35	24	J912703	7-31	1	J918109	2-21	21
J907617	2-39	24	J912703	7-17	9	J918191	3-11	15
J907617	2-49	25	J912772	2-19	22	J918191	3-11	17
J907860	2-27	8	J912883	2-43	2	J918191	3-9	26
J907998	2-19	14	J912885	3-13	31	J918212	2-27	1
J908095	2-45	5	J913192	7-13	5	J918256	2-25	14
J908096	2-45	6	J913370	7-15	21	J918256	2-49	28
J908118	2-29	19	J913370	7-13	6	J918257	2-25	12
J908221	7-15	14	J913391	2-31	1	J918257	2-49	29
J908615	2-25	11	J913435	4-3	34	J918293	2-25	13
J909352	2-25	16	J913447	2-43	8	J918305	2-29	6
J909355	2-25	17	J913994	2-19	16	J918306	2-29	6
J909356	3-15	10	J913994	2-49	22	J918324	2-43	1
J909356	2-49	14	J914006	2-27	1	J918328	2-25	16
J909356	3-17	3	J914029	2-21	20	J918392	2-41	32
J909373	2-27	3	J914029	2-49	6	J918427	2-25	20
J909376	2-25	4	J914084	2-25	19	J918428	2-25	19
J909381	7-13	15	J914086	2-17	10	J918579	2-21	13
J909381	7-15	24	J914304	3-11	10	J918640	3-11	16
J909397	2-25	22	J914304	2-49	34	J918946	2-45	11
J909411	2-43	20	J914383	2-27	5	J918954	2-25	
J909438	3-9	11	J914385	2-49	19	J919002	2-39	9
J909476	3-15	1	J914385	2-19	3	J919113	2-23	1
J909548	2-21	8	J914386	2-43	10	J919325	3-17	1
J909696	3-9	8	J914386	2-49	26	J919601	2-19	10
J910120	2-37	32	J914388	2-21	12	J919601	2-49	23
J910248	2-45	8	J914388	2-49	7	J920020	2-29	17
J910276	2-31		J914389	3-13	30	J920020	2-49	2
J910510	2-35		J914389	2-49	32	J920123	2-29	21
J910517	2-41	36	J914409	2-29	7	J920174	2-49	13
J910517	2-37	38	J914454	2-43	5	J920174	3-17	2
J910529	7-15	2	J914462	2-17	5	J920393	3-13	16
J910530	7-15	3	J914497	2-19	29	J920399	2-39	
J910794	3-13	24	J914591	7-15	26	J920518	2-19	4
J910795	3-13	27	J914639	2-33	1	J920612	2-31	
J910796	3-13	26	J914641	2-33	4	J920867	2-31	10
J910810	2-31	26	J914738	2-19	30	J920868	2-31	11
J910811	2-31	22	J914743	2-29	10	J921398	2-29	6
J910814	2-31	18	J914821	2-29	11	J921558	2-25	13
J910824	2-49	10	J914856	2-49	15	JC901569	2-47	
J910824	2-29	4	J914868	2-19	9	JC906414	2-27	
J910923	2-29	15	J914923	2-41	31	JC907028	2-23	
J910923	4-49	6	J914923	2-37	31	JC908032	2-43	
J910924	4-49	2	J914940	2-19	32	JC909476	3-15	
J910924	2-41	29	J915182	7-15	9	JC910276	2-31	
J911210	7-13	2	J915240	3-11	1	JC910510	2-35	
J911220	2-45	11	J915243	2-25		JC917503	3-13	
J911566	2-7	10	J915703	2-27	6	JC918212	2-27	
J911638	2-27	11	J915766	2-25		JC920612	2-31	
J911679	2-19	24	J915772	2-19	12	JR901569	2-47	
J911705	7-15	29	J915787	2-25	21	JR906414	2-27	
J911705	7-13	8	J916131	2-49	20	JR907028	2-23	

NUMERICAL INDEX

PART NO.	PAGE	REF.	PART NO.	PAGE	REF.	PART NO.	PAGE	REF.
129-19	4-17	7	131-218	8-51	15	1327799C2	9-55	10
129-191	9-47	11	131-218	8-61	19	1327979C1	9-77	6
129-37	9-77	26	131-218	8-51	19	1329896C1	4-13	14
129-409	9-59	10	131-218	8-57	19	1331025C1	9-73	10
129-525	7-37	10	131-218	9-27	20	1331025C1	9-71	7
129-572	9-11	11	131-218	8-57	23	1331087C1	9-73	14
129-572	9-9	11	131-218	8-7	23	1332154C1	9-85	5
129-572	9-13	32	131-218	8-61	23	1332154C1	9-43	5
129-660	7-39	46	131-218	8-51	23	13363D	6-71	27
129-667	8-9	3	131-218	5-11	24	1338159C1	7-23	
129-886	9-65	15	131-218	4-11	37	1338170C1	9-53	22
13-512	5-17	4	131-218	8-7	7	1338172C1	9-53	5
13-540	5-17	19	131-218	4-11	7	1338174C1	9-53	7
1301342C1	9-73	6	131-218	5-11	8	1338223C1	9-57	10
131-10	8-9	27	131-218	7-29	8	1338240C1	9-57	11
131-10	8-61	4	131-218	8-11	9	1339560C1	9-63	21
131-10	8-7	4	131-219	9-23	15	1339563C2	4-9	9
131-10	8-51	4	131-219	9-7	5	1339570C3	4-69	10
131-10	8-57	4	131-4	5-9	12	1339577C3	9-75	32
131-1100	9-39	26	131-4	8-7	18	1339577C3	9-71	9
131-1100	9-41	8	131-4	8-5	21	1339586C1	4-61	18
131-1133	7-37	6	131-4	8-7	31	1339590C3	4-17	15
131-1180	7-5	18	131-4	5-11	31	1339590C3	4-21	5
131-1180	7-9	7	131-414	7-45	22	1339604C2	9-67	1
131-1181	9-41	12	131-425	9-41	13	1339685C3	9-69	4
131-1181	9-41	26	131-425	9-37	23	1339691C1	7-23	15
131-1248	6-71	25	131-431	9-91	14	1339712C1	5-5	21
131-1351	9-21	10	131-450	2-3	8	1339712C1	5-3	23
131-1352	9-37	5	131-450	6-5	9	1339736C1	9-65	13
131-1402	4-53	2	131-461	9-27	13	1339737C2	9-65	6
131-1402	5-11	40	131-510	8-3	9	1339754C2	9-49	14
131-1402	4-51	6	131-542	9-37	28	1339754C3	9-51	16
131-141	6-7	16	131-573	4-47	20	1339755C4	9-49	18
131-143	9-51	14	131-639	9-45	7	1339755C4	9-51	21
131-150	7-9	11	131-64	9-25	21	1339767C2	9-43	18
131-150	7-5	15	131-67	3-7	6	1339771C1	9-51	27
131-188	6-59	6	131-676	4-3	23	1339771C1	9-49	29
131-188	6-59	6	131-69	9-75	12	1339773C1	9-59	2
131-2	8-63	22	131-69	4-51	15	1339790C1	9-49	19
131-2	9-63	31	131-69	9-25	15	1339790C1	9-51	22
131-203	9-63	26	131-69	2-5	15	1339797C1	9-67	5
131-203	3-3	28	131-69	4-47	30	1339804C1	7-5	5
131-203	9-61	5	131-69	7-23	30	1339848C2	9-59	4
131-217	9-23	12	131-69	9-25	33	1339868C2	4-9	11
131-217	6-7	12	131-69	2-9	5	1339877C2	5-3	1
131-217	6-3	13	131-69	7-27	6	1339877C2	5-5	1
131-217	2-15	18	131-70	2-5	24	1339883C1	9-49	9
131-217	9-23	19	131-70	2-3	4	1339883C1	9-51	9
131-217	7-9	21	131-71	9-39	13	1339894C1	4-63	18
131-217	9-21	24	131-71	4-53	17	1339895C4	9-51	11
131-217	5-13	24	131-71	3-5	9	1339900C5	9-59	17
131-217	9-25	27	131-852	9-77	18	1339909C1	4-7	8
131-217	4-67	9	131-856	9-5	18	1339924C1	9-59	5
131-218	8-13	10	131-873	9-55	15	1339925C1	9-63	12
131-218	8-7	11	131-931	4-55	16	1339926C1	4-7	21
131-218	2-9	12	131-937	4-55	3	1339928C2	9-85	7
131-218	5-13	12	131-937	4-55	9	1339928C2	9-43	8
131-218	4-53	13	1321447C1	9-55	18	1339931C1	4-7	31
131-218	9-5	13	1327515C1	9-71		1339939C2	9-63	20
131-218	5-11	13	132760	8-67	28	1339941C3	9-49	15
131-218	8-11	14	1327781C2	9-73	15	1339941C3	9-51	17
131-218	8-57	15	1327782C2	9-73	3	1339946C4	9-51	7
131-218	8-61	15	1327799C1	9-53	27	1339946C4	9-49	7

CLICK HERE TO **DOWNLOAD** THE COMPLETE MANUAL

- Thank you very much for reading the preview of the manual.
- You can download the complete manual from: www.heydownloads.com by clicking the link below



- Please note: If there is no response to CLICKING the link, please download this PDF first and then click on it.

CLICK HERE TO **DOWNLOAD** THE COMPLETE MANUAL