

All rights reserved by **CNHi**.

The information contained in this catalogue is intended to be of a general nature only. **CNHi** may at any time and from time to time, for technical or other necessary reasons, modify any of the details or specifications of the product described in this catalogue.

To be sure of getting accurate, detailed and up-to-date information, an intending buyer should consult his nearest **CNHi** dealer or distributor.

Single item numeration method used in this catalogue may not be used without written consent from **CNHi**.

CLICK HERE TO **DOWNLOAD** THE COMPLETE MANUAL

- Thank you very much for reading the preview of the manual.
- You can download the complete manual from: www.heydownloads.com by clicking the link below



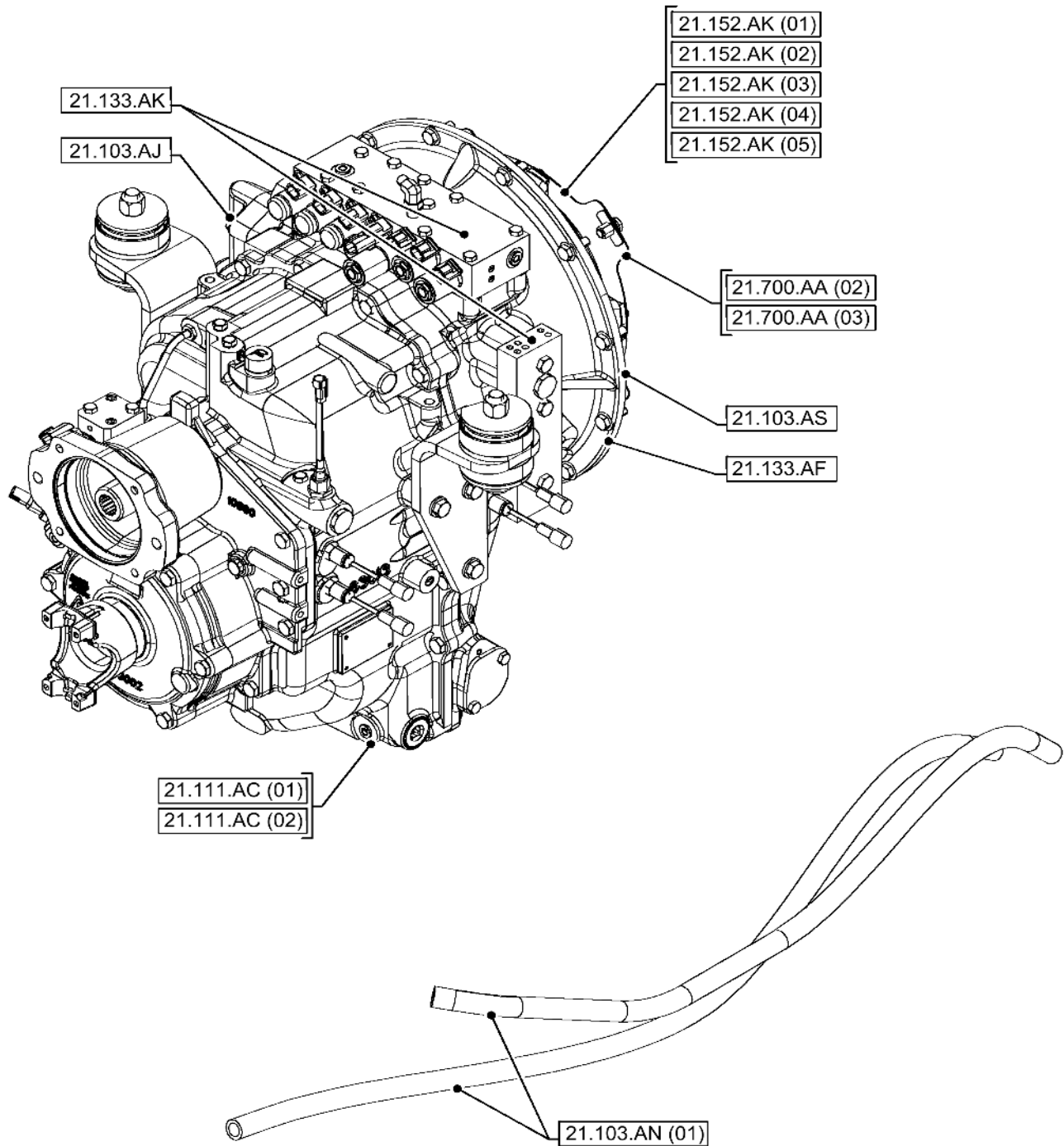
- Please note: If there is no response to **CLICKING** the link, please download this PDF first and then click on it.

CLICK HERE TO **DOWNLOAD** THE COMPLETE MANUAL

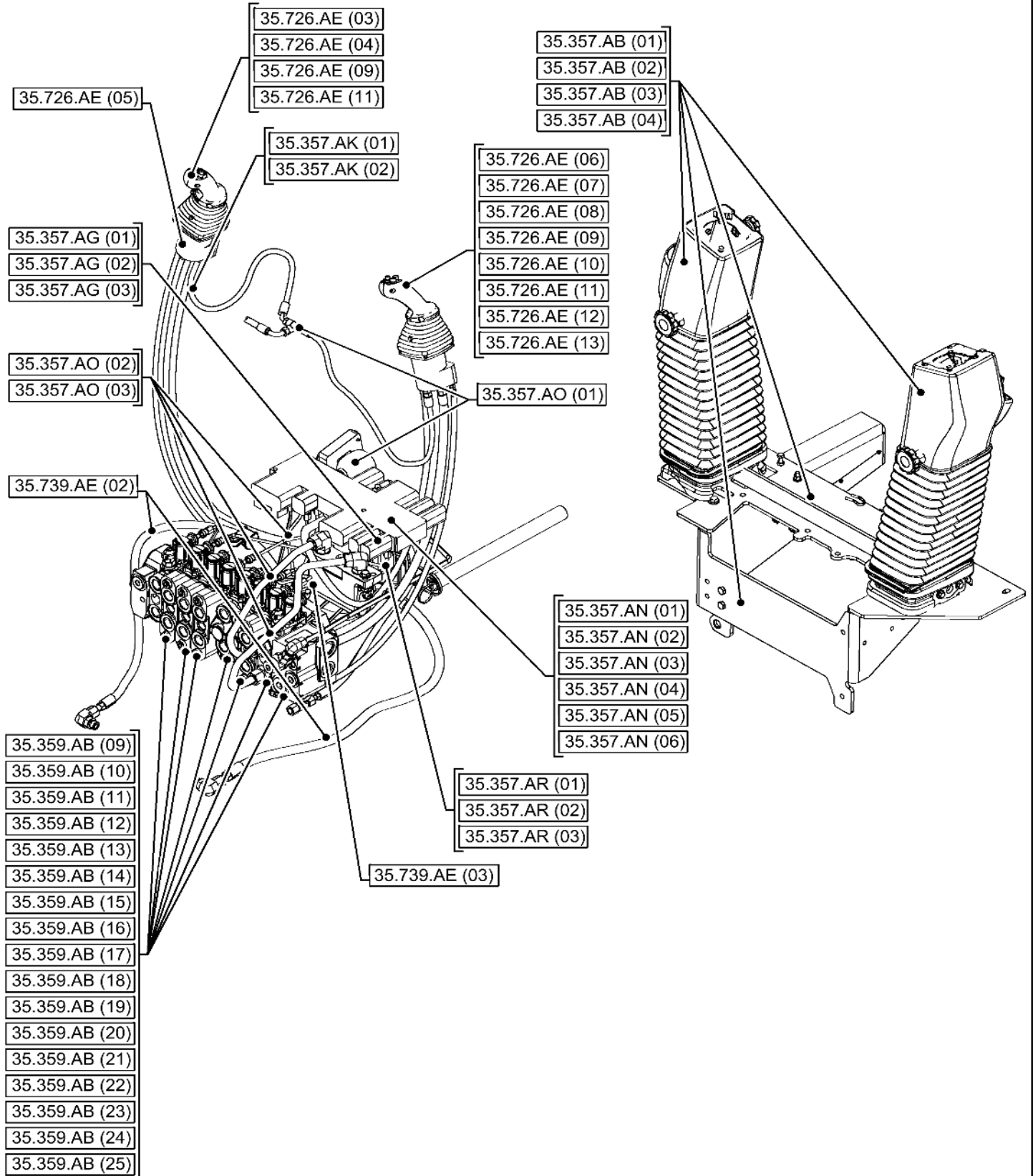
TABLE OF CONTENTS

84.100.AB	06	VAR - 423072 - BUCKET, HIGH CAPACITY 24INCH/610MM
84.100.AB	07	VAR - 423065 - BUCKET, HIGH CAPACITY 30INCH/762MM
84.100.AE	01	VAR - 423066 - BUCKET, UNIVERSAL 12INCH/305MM, TEETH
84.100.AE	02	VAR - 423068 - BUCKET, UNIVERSAL 18INCH/457MM, TEETH
84.100.AE	03	VAR - 423069 - BUCKET, UNIVERSAL 24INCH/610MM, TEETH
84.100.AE	04	VAR - 423070 - BUCKET, UNIVERSAL 30INCH/762MM, TEETH
84.100.AE	05	VAR - 423071 - BUCKET, UNIVERSAL 36INCH/914MM, TEETH
84.100.AE	06	VAR - 423072 - BUCKET, HIGH CAPACITY 24INCH/610MM, TEETH
84.100.AE	07	VAR - 423065 - BUCKET, HIGH CAPACITY 30INCH/762MM, TEETH
84.100.AM	01	VAR - 423066 - BUCKET, UNIVERSAL 12INCH/305MM, BUSHING
84.100.AM	02	VAR - 423068 - BUCKET, UNIVERSAL 18INCH/457MM, BUSHING
84.100.AM	03	VAR - 423069 - BUCKET, UNIVERSAL 24INCH/610MM, BUSHING
84.100.AM	04	VAR - 423070 - BUCKET, UNIVERSAL 30INCH/762MM, BUSHING
84.100.AM	05	VAR - 423071 - BUCKET, UNIVERSAL 36INCH/914MM, BUSHING
84.100.AM	06	VAR - 423072 - BUCKET, HIGH CAPACITY 24INCH/610MM, BUSHING
84.100.AM	07	VAR - 423065 - BUCKET, HIGH CAPACITY 30INCH/762MM, BUSHING
84.100.AP	01	BACKHOE BUCKET, MECH. COUPLER, STANDARD DIPPER, LINK 15FT/457MM
84.100.AP	02	BACKHOE BUCKET, MECHANICAL COUPLING, EXTENDABLE DIPPER, LINK 15FT/457MM
84.100.AP	03	VAR - 442017 - BACKHOE BUCKET, MECHANICAL COUPLING, LINK 15FT/457MM
84.100.AP	05	VAR - 745162 - BACKHOE BUCKET, UNIVERSAL COUPLING, EXTENDABLE DIPPER, LINK
84.100.AP	07	VAR - 442017 - BACKHOE BUCKET, HYDRAULIC COUPLER, LINK
84.100.AP	08	BACKHOE BUCKET, MECHANICAL COUPLING, INSULATION PIN
84.100.AP	09	VAR - 442017 - BACKHOE BUCKET, HYDRAULIC COUPLER
84.100.AQ		VAR - 423066 - BUCKET, UNIVERSAL 12INCH/305MM, PIN
84.114.AF		BOOM SWING, TOWER
84.114.AI	01	BOOM, TRANSPORT LOCK
84.114.AI	02	VAR - 742369 - BOOM, TRANSPORT LOCK, MECHANICAL, CONTROL, FOOT, LEVER, MECHANICAL, CONTROL
84.114.AI	03	VAR - 423078, 747669 - BOOM, TRANSPORT LOCK, MECHANICAL, CONTROL, FOOT, LEVER, PILOT CONTROLS
84.114.AK		BOOM SWING, PIN
84.910.AA	01	BOOM
84.910.AA	01	BOOM
84.910.AA	02	BOOM, GUARD
84.910.AC	01	BOOM, CYLINDER, PIN - END YR 6-OCT-2017

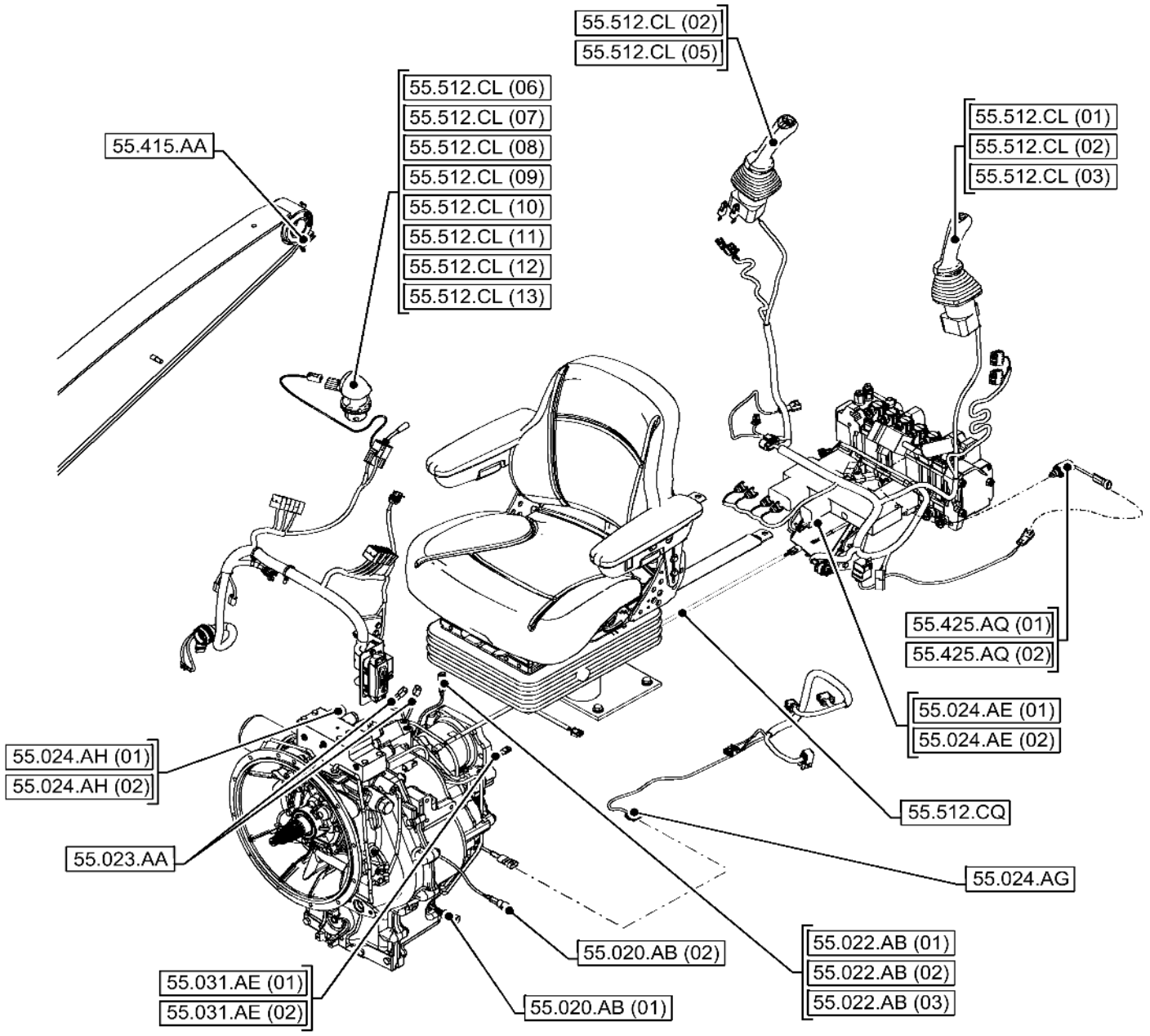
PICTORIAL INDEX - TRANSMISSION, SEMI-POWERSHIFT



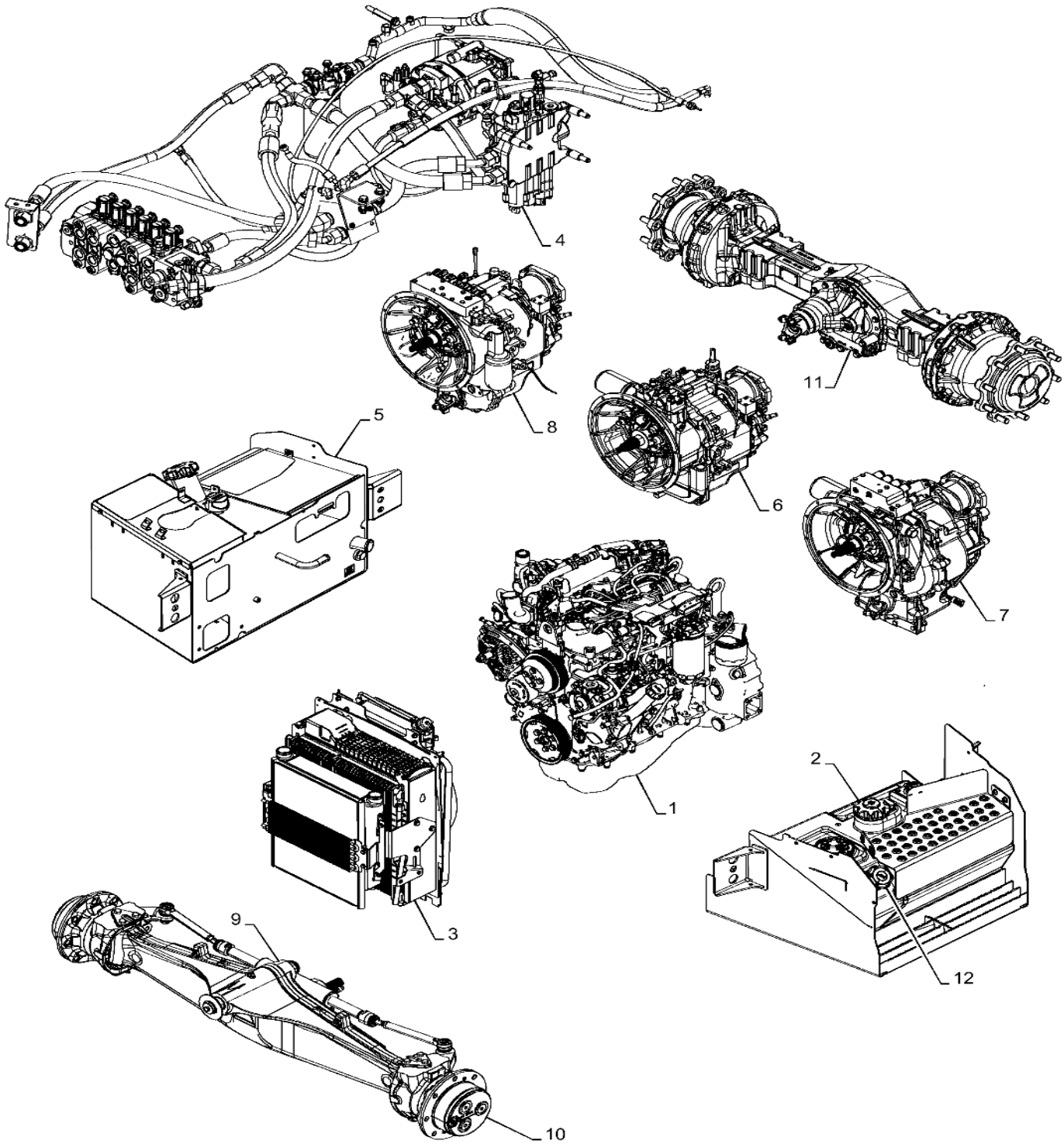
PICTORIAL INDEX - HYDRAULIC SYSTEMS



PICTORIAL INDEX - ELECTRICAL SYSTEMS



CAPACITIES



Machines with the optional Severe Cold Weather Package (SCWP) use the SCWP recommended fluids

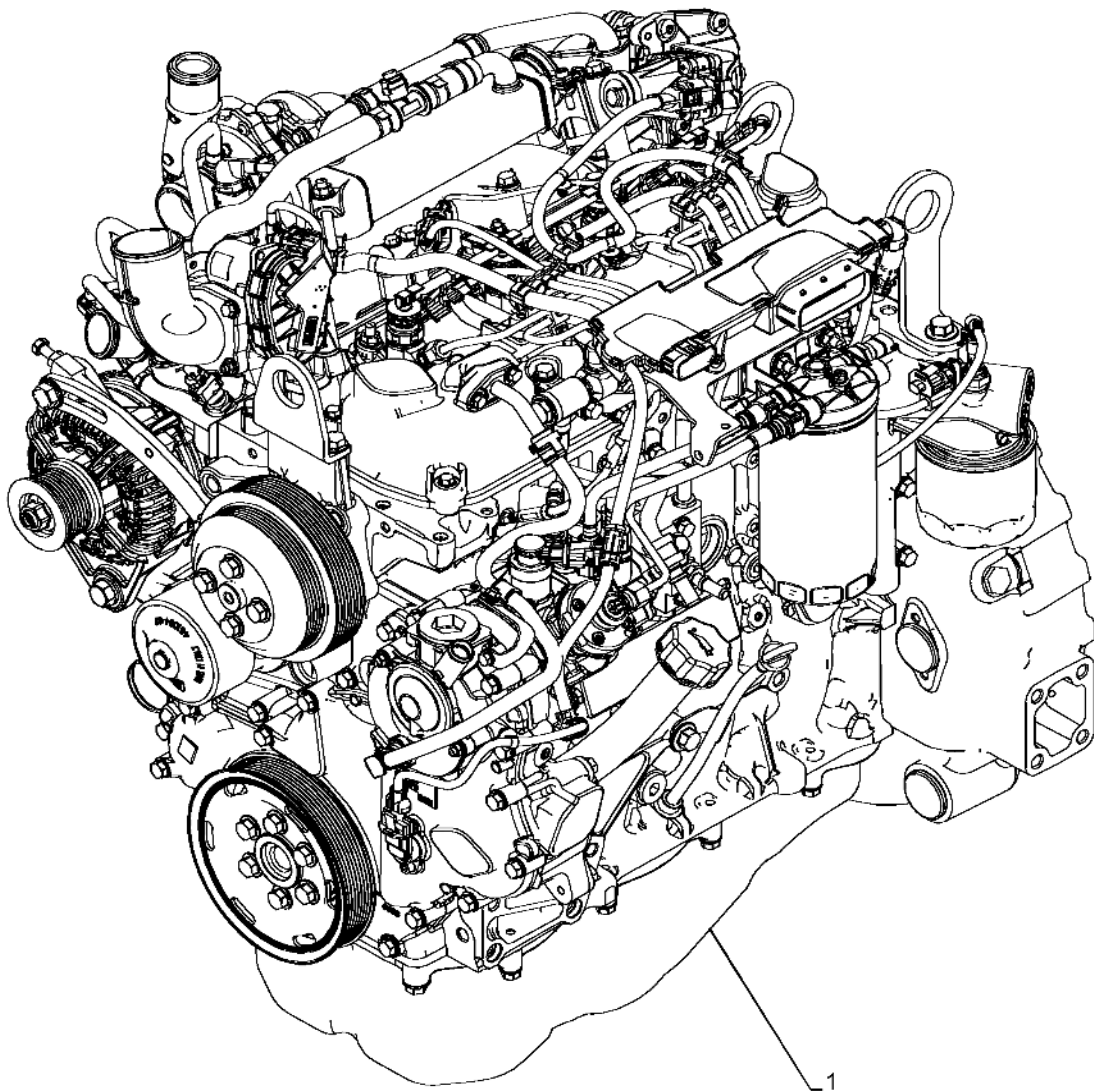
ENGINE

LOCATE ENGINE PARTS

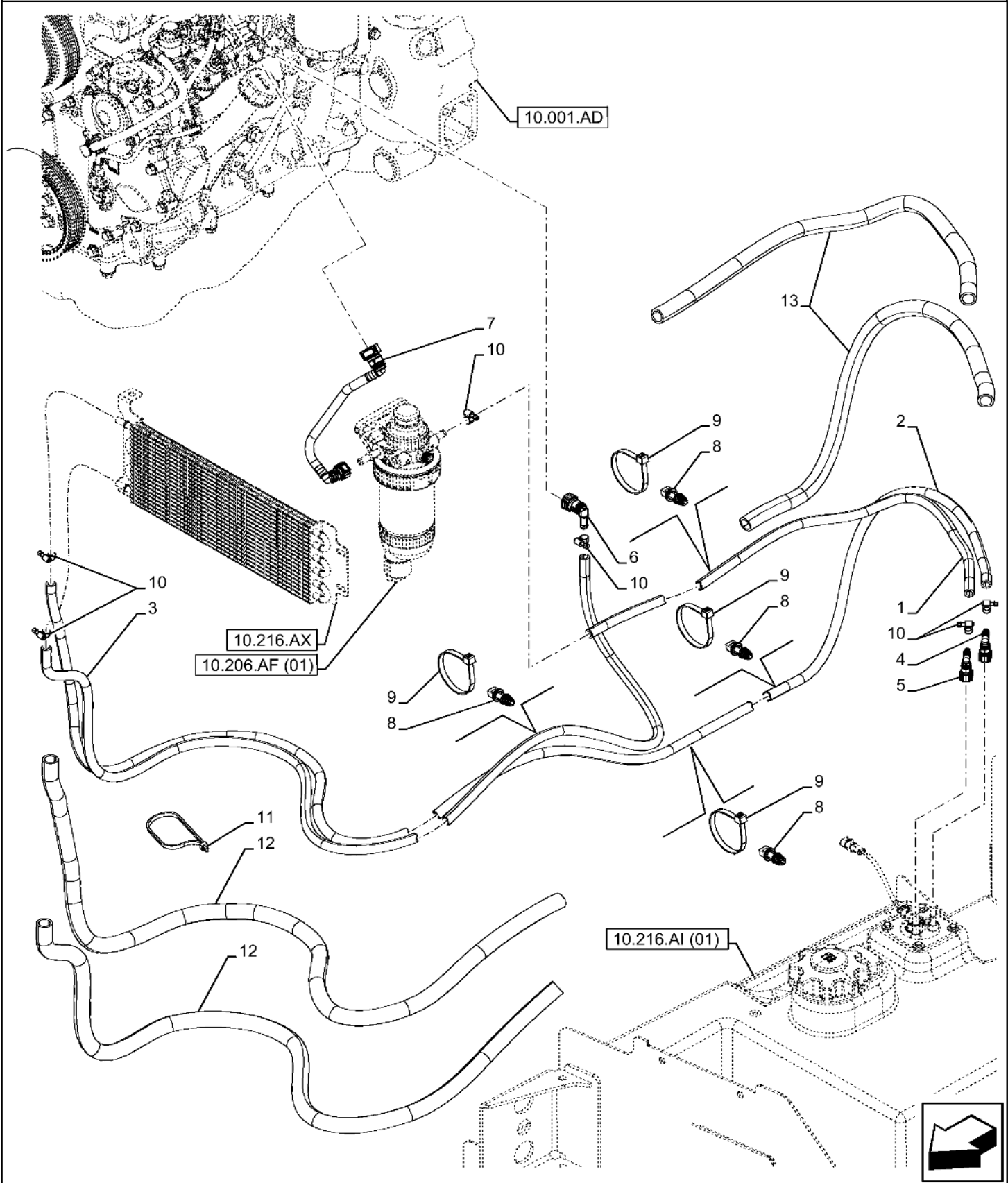
Click Model Details icon on the right 

Click Related Models tab to find FPT Engine

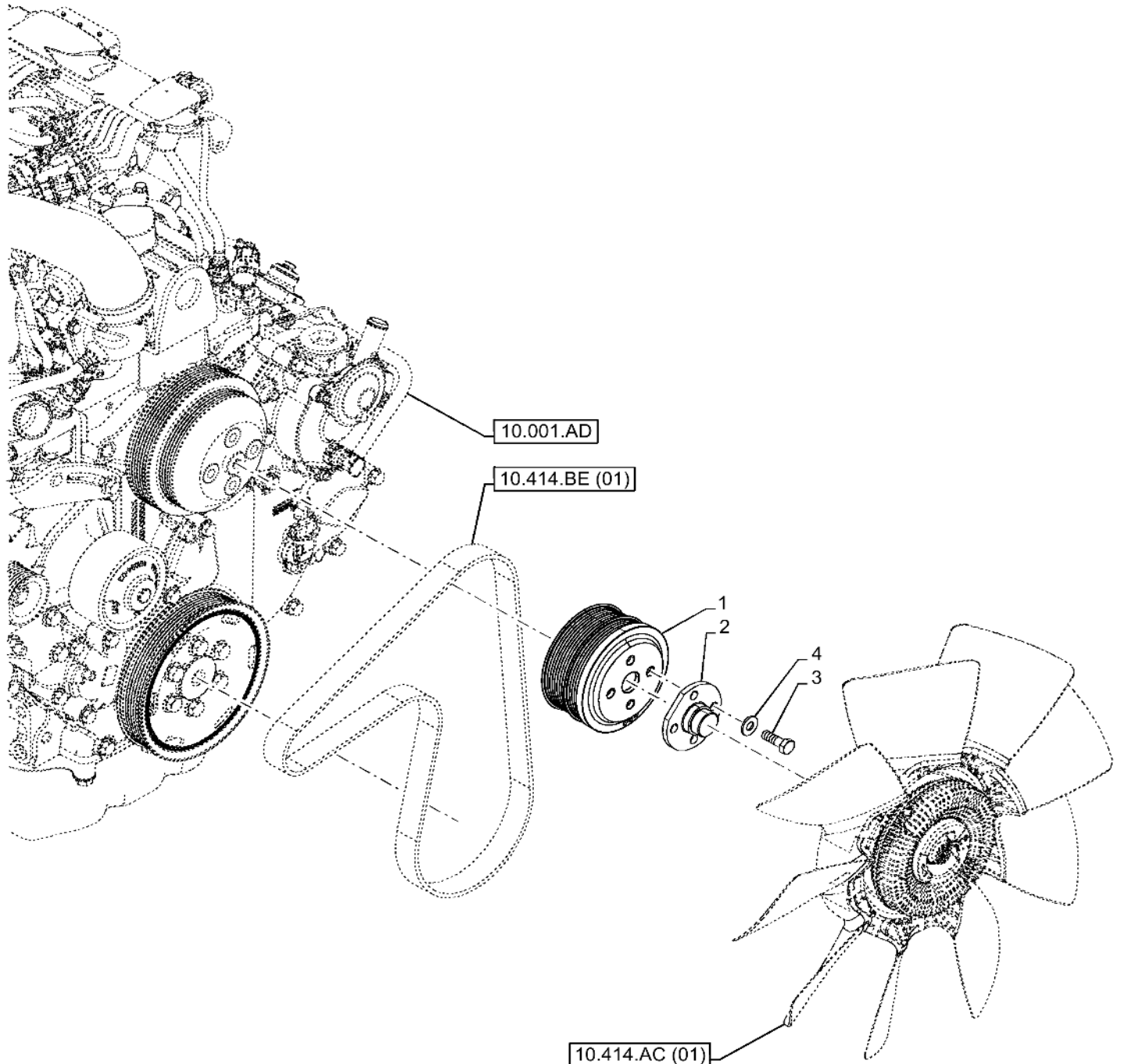
Right Click Engine Model - Open New Job Tab



FUEL LINE



ENGINE, FAN, PULLEY



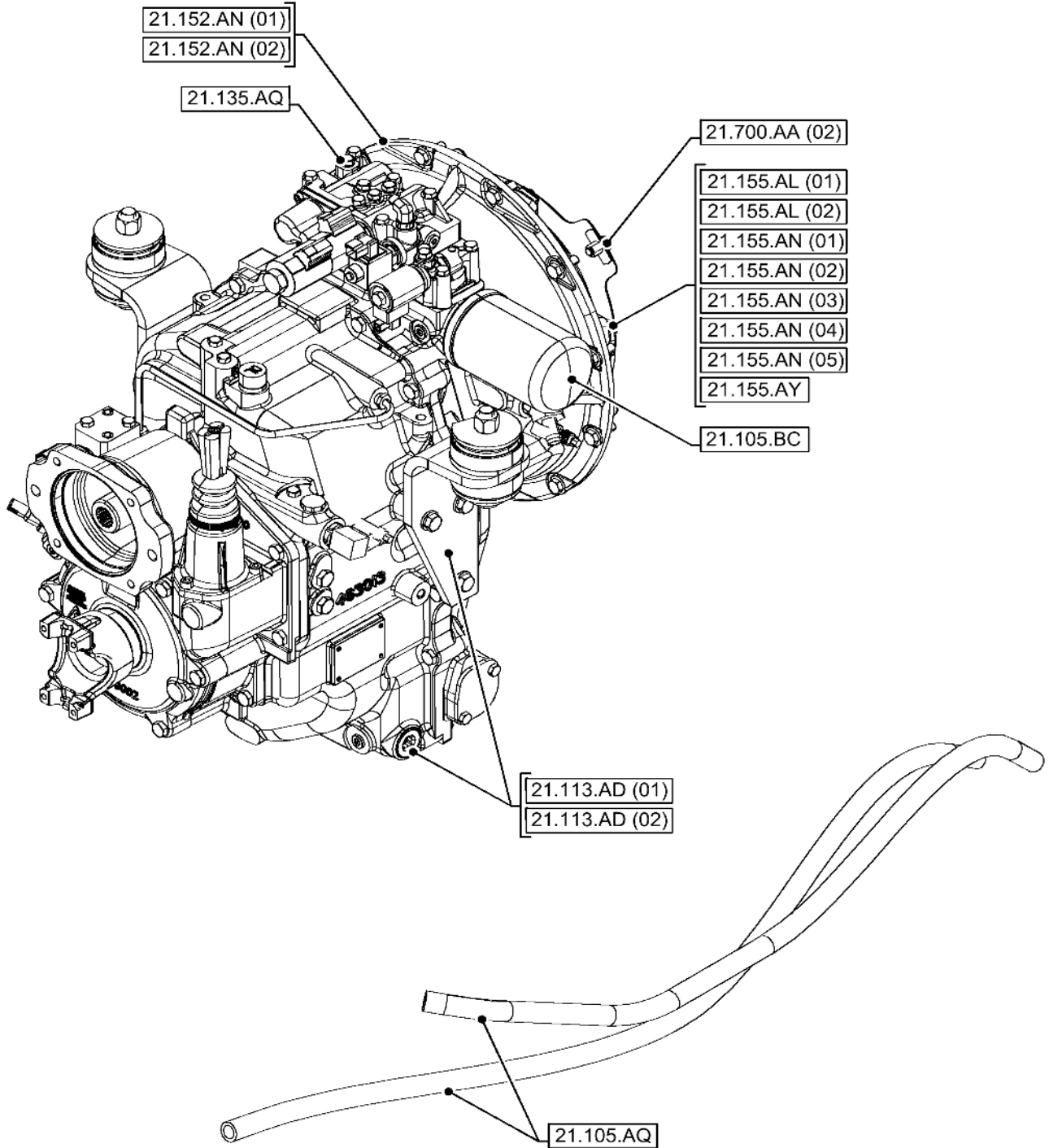
21.000.00

03

p1

2/2020

SECTION INDEX - TRANSMISSION, POWERSHIFT



VAR - 423060 - TRANSMISSION, SEMI-POWERSHIFT, HOUSING, 2WD

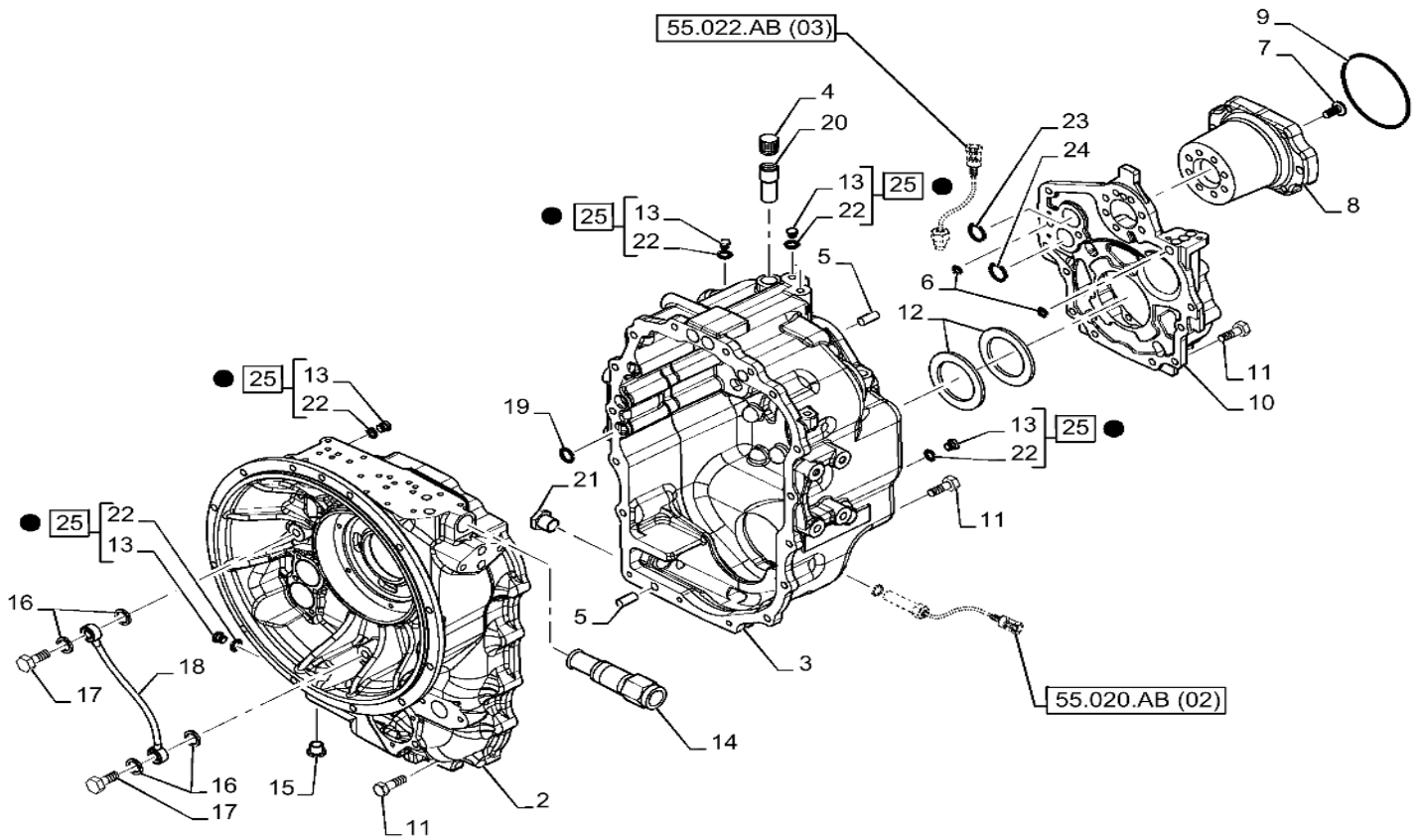
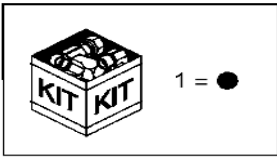


Figure is Valid with Industrial Var. 423060

VAR - 423062 - TRANSMISSION, POWERSHIFT, OIL FILL & DIPSTICK

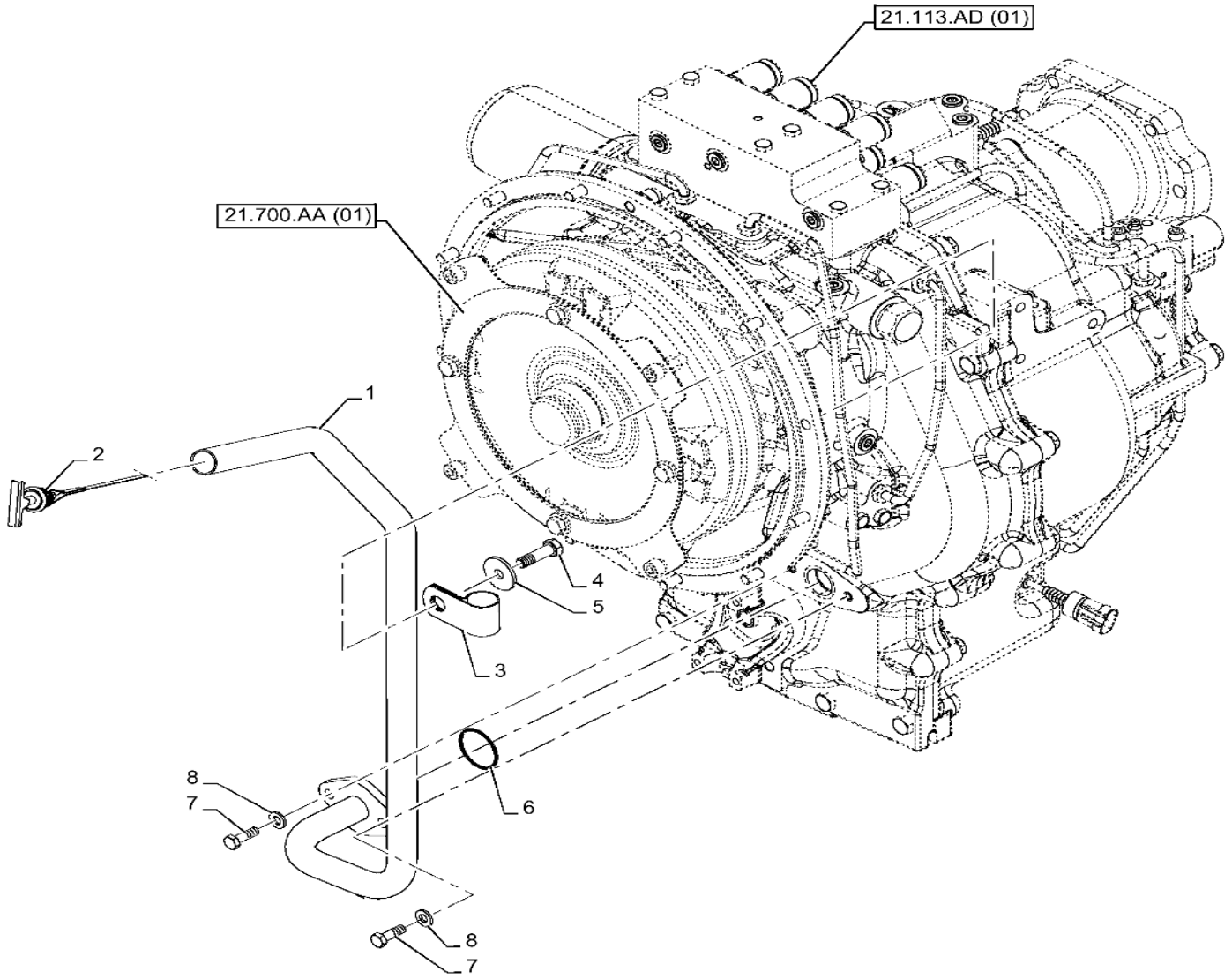


Figure is Valid with Industrial Var. 423062

21.134.AM

03

p1

2/2020

VAR - 423059 - TRANSMISSION, POWERSHUTTLE, CONTROL VALVE

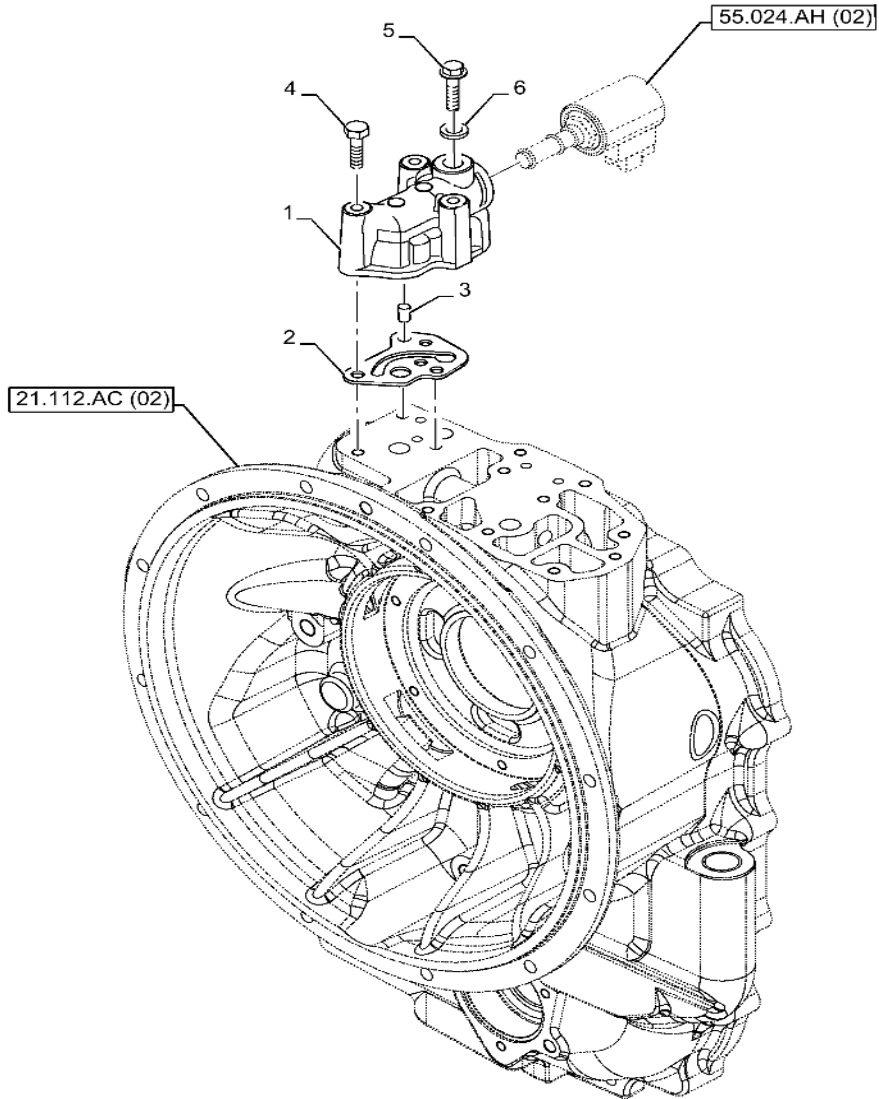


Figure is Valid with Industrial Var. 423059

VAR - 423059 - TRANSMISSION, POWERSHUTTLE, SYNCHRONIZER, 4WD

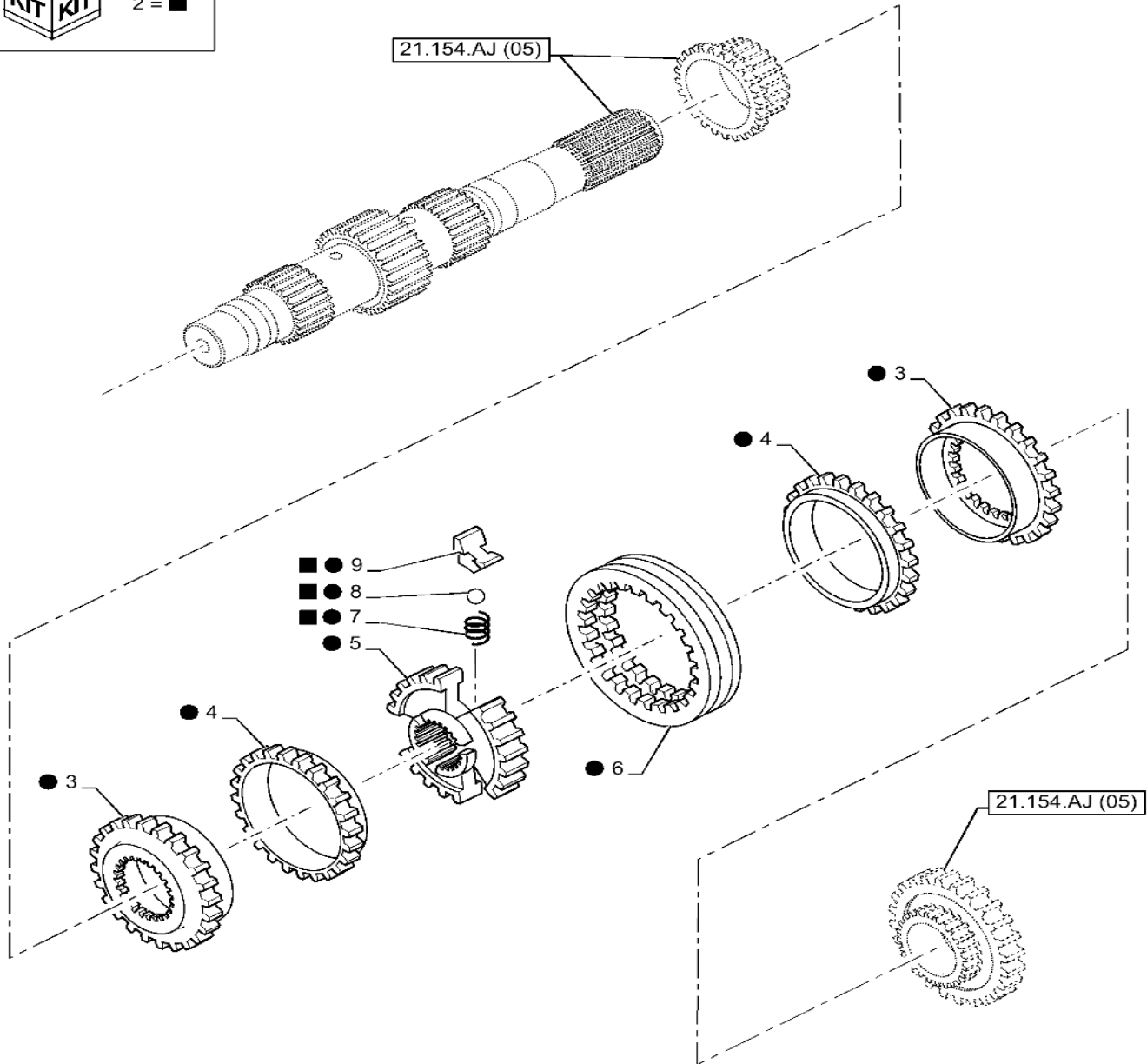
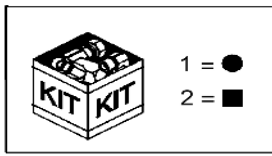


Figure is Valid with Industrial Var. 423059

21.155.AL

01

p1

2/2020

VAR - 423062 - TRANSMISSION, POWERSHIFT, OIL PUMP, 4WD

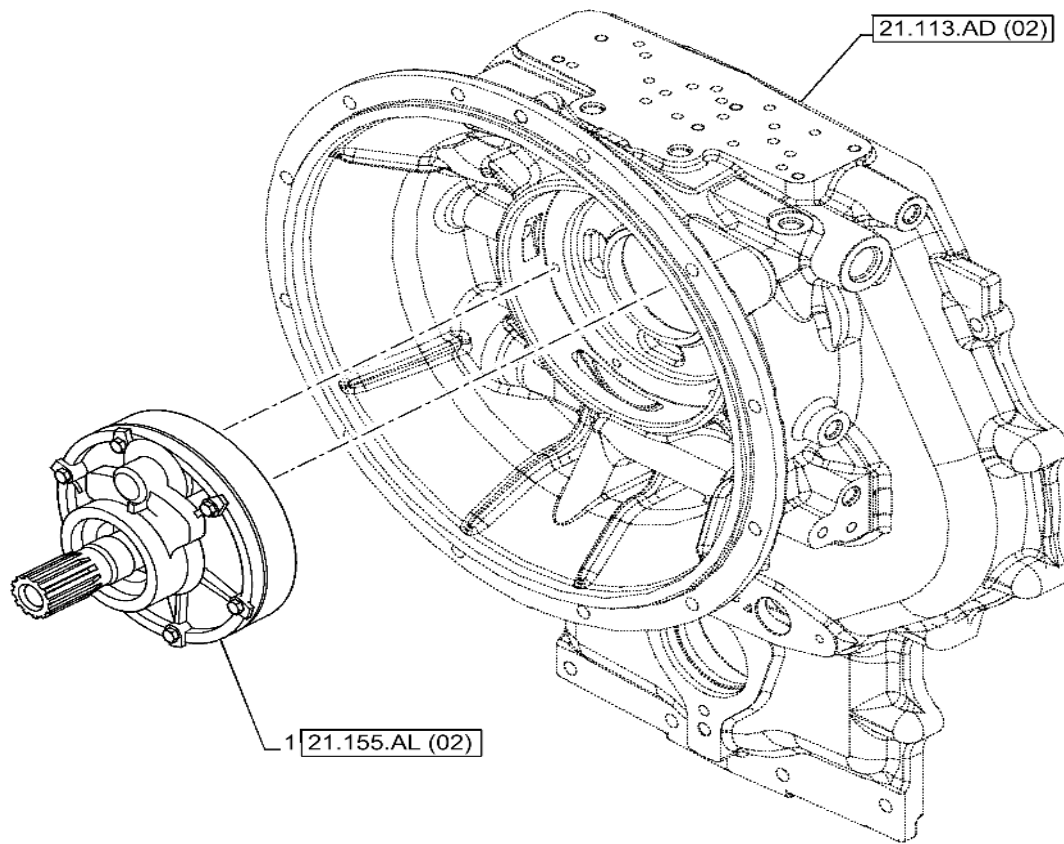


Figure is Valid with Industrial Var. 423062

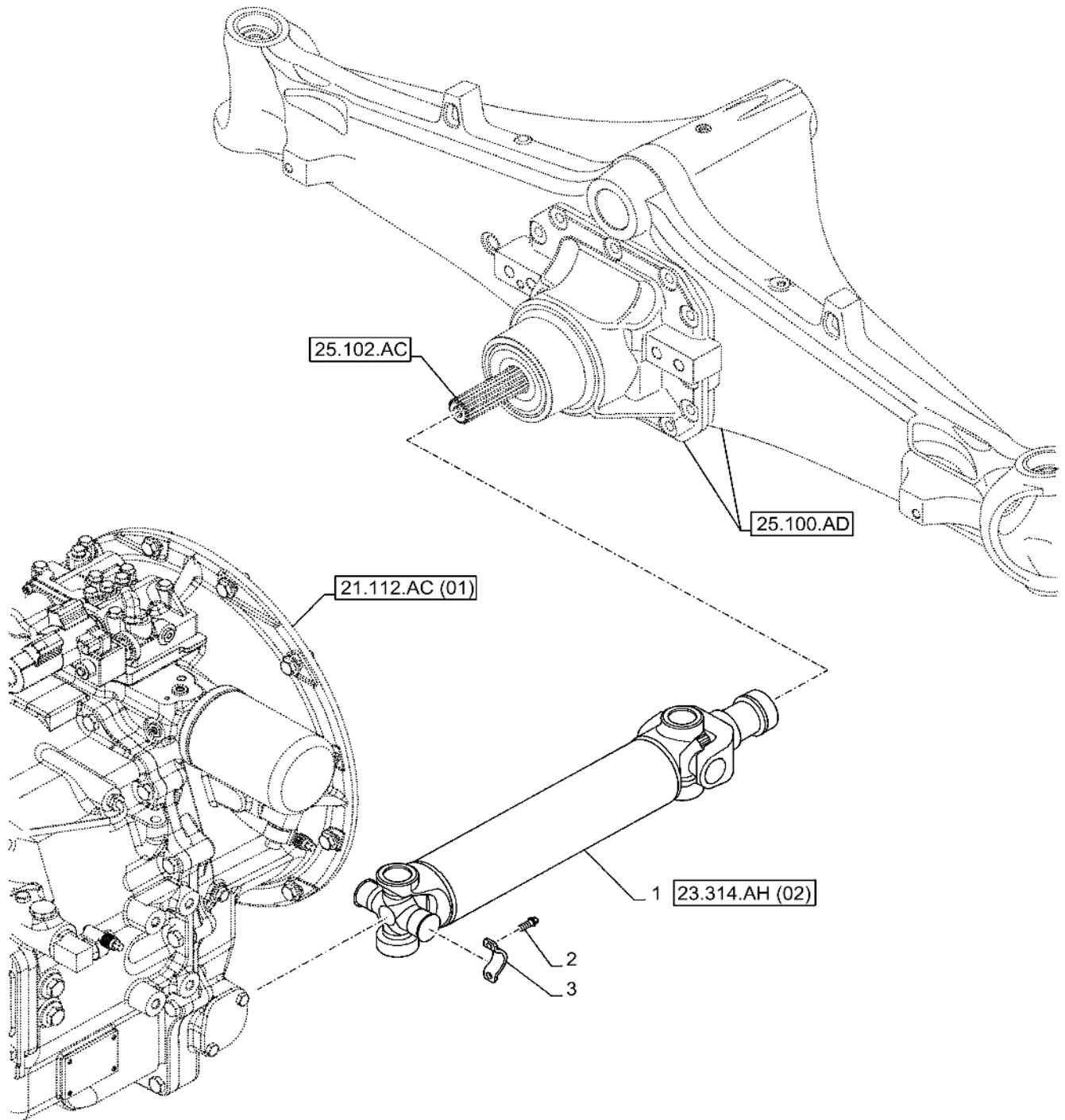
23.314.AH

01

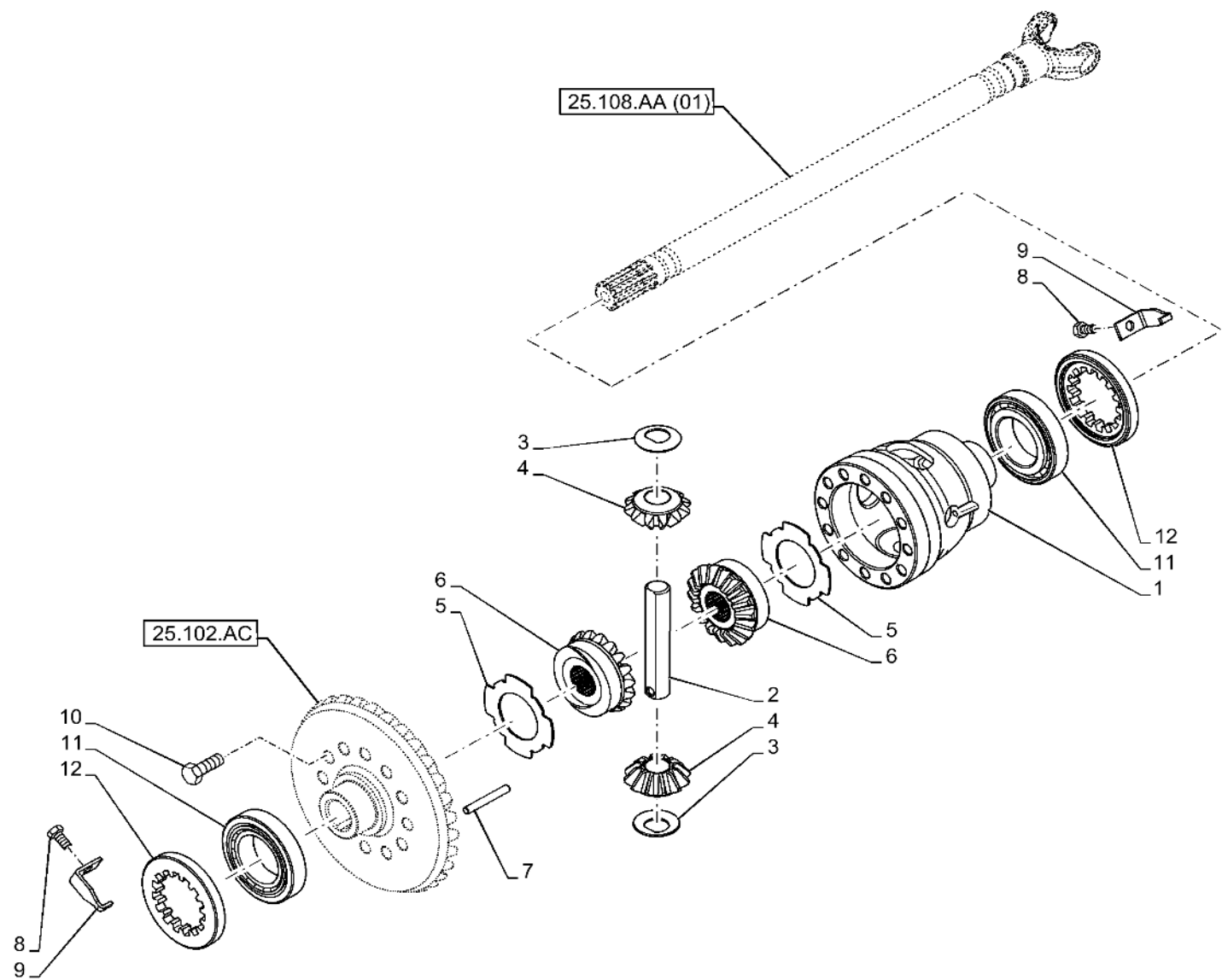
p1

2/2020

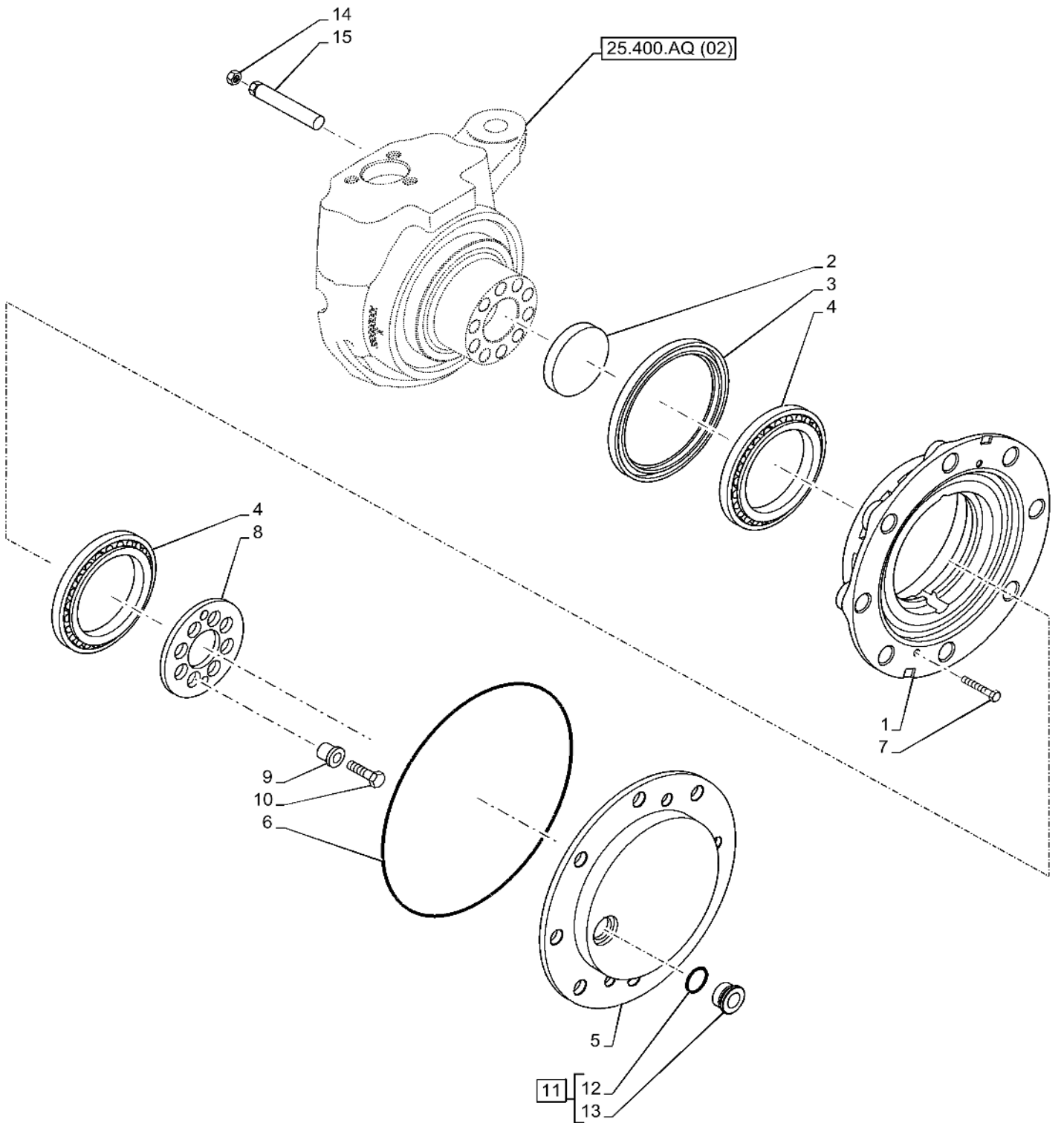
FRONT AXLE, HALF SHAFT, 4WD



FRONT AXLE, DIFFERENTIAL GEAR, 4WD



FRONT AXLE, FINAL DRIVE, 2WD



SECTION INDEX

BRAKES & CONTROLS

33.000.00		SECTION INDEX - BRAKES & CONTROLS
33.110.AT	01	VAR - 423058, 423059, 423060, 423061 - TRANSMISSION, POWERSHUTTLE, PARKING BRAKE, CONTROL VALVE
33.110.AT	02	VAR - 423062 - TRANSMISSION, POWERSHIFT, PARKING BRAKE, CONTROL VALVE
33.110.AV	01	VAR - 423058, 423059, 423060, 423061 - TRANSMISSION, POWERSHUTTLE, SEMI-POWERSHIFT, PARKING BRAKE, DISC
33.110.AV	02	VAR - 423062 - TRANSMISSION, POWERSHIFT, PARKING BRAKE, DISC
33.202.AR		BRAKE, MASTER CYLINDER
33.202.BE	01	BRAKE, LINE, TRANSMISSION
33.202.BE	02	BRAKE, HYDRAULIC SYSTEM
33.202.BN		BRAKE, PEDAL

SECTION INDEX

HYDRAULIC SYSTEMS

35.359.AE	08	VAR - 747864 - LOADER, CONTROL VALVE LINE
35.359.AE	09	VAR - 747864 - LOADER, CONTROL VALVE LINE, BACKHOE CONTROL VALVE
35.359.AE	10	VAR - 747864 - LOADER, AUXILIARY CONTROL VALVE, LINE
35.359.AE	11	VAR - 747864 - LOADER, CONTROL VALVE LINE, FILTER
35.359.AE	12	VAR - 747864 - LOADER, AUXILIARY CONTROL VALVE, LINE
35.359.AE	13	LOADER, CONTROL VALVE LINE, BACKHOE CONTROL VALVE
35.359.AE	14	LOADER, CONTROL VALVE LINE, BACKHOE CONTROL VALVE
35.359.AE	15	VAR - 747864 - LOADER, CONTROL VALVE LINE, FILTER
35.359.AE	16	LOADER, CONTROL VALVE LINE
35.359.AE	17	VAR - 747864 - LOADER, CONTROL VALVE LINE, FILTER
35.359.AE	18	LOADER, CONTROL VALVE LINE
35.359.AE	20	VAR - 747864 - LOADER, CONTROL VALVE LINE, BACKHOE CONTROL VALVE, BRACKET
35.359.AE	21	LOADER, CONTROL VALVE LINE, BACKHOE CONTROL VALVE
35.359.AE	22	LOADER, CONTROL VALVE LINE, HAMMER
35.359.AE	23	LOADER, CONTROL VALVE LINE, BACKHOE CONTROL VALVE
35.359.AE	24	LOADER, CONTROL VALVE LINE, HAMMER
35.359.AF	01	BACKHOE CONTROL VALVE, 6-SPOOL, STANDARD DIPPER, MECHANICAL CONTROLS, MOUNTING PARTS
35.359.AF	02	BACKHOE CONTROL VALVE, 6-SPOOL, STANDARD DIPPER, MECHANICAL CONTROLS, MOUNTING PARTS
35.359.AF	03	BACKHOE CONTROL VALVE, 7-SPOOL, STANDARD DIPPER, MECHANICAL CONTROLS, MOUNTING PARTS
35.359.AF	04	BACKHOE CONTROL VALVE, 7-SPOOL, MECHANICAL CONTROLS
35.359.AF	05	BACKHOE CONTROL VALVE, 7-SPOOL, STANDARD DIPPER, MECHANICAL CONTROLS, MOUNTING PARTS
35.359.AF	06	BACKHOE CONTROL VALVE, 7-SPOOL, STANDARD DIPPER, MECHANICAL CONTROLS, MOUNTING PARTS
35.359.AF	07	BACKHOE CONTROL VALVE, 7-SPOOL, STANDARD DIPPER, MECHANICAL CONTROLS, MOUNTING PARTS
35.359.AF	08	BACKHOE CONTROL VALVE, 7-SPOOL, STANDARD DIPPER, MECHANICAL CONTROLS
35.359.AF	09	BACKHOE CONTROL VALVE, 8-SPOOL, MECHANICAL CONTROLS
35.359.AF	10	BACKHOE CONTROL VALVE, 8-SPOOL, MECHANICAL CONTROLS
35.359.AF	11	BACKHOE CONTROL VALVE, 8-SPOOL, MECHANICAL CONTROLS
35.525.AA	01	VAR - 423083 - AUXILIARY HYDRAULIC, VALVE, LINE
35.525.AA	02	VAR - 423083, 423084, 747661, 747662 - AUXILIARY HYDRAULIC, LINE
35.525.AA	03	VAR - 423083, 747661 - AUXILIARY HYDRAULIC, LINE
35.525.AA	06	VAR - 747661, 747662 - AUXILIARY HYDRAULIC, LINE

VARIABLE DISPLACEMENT HYDRAULIC PUMP (W/ POWER LIFT, W/O DUAL BATTERIES), COMPONENTS

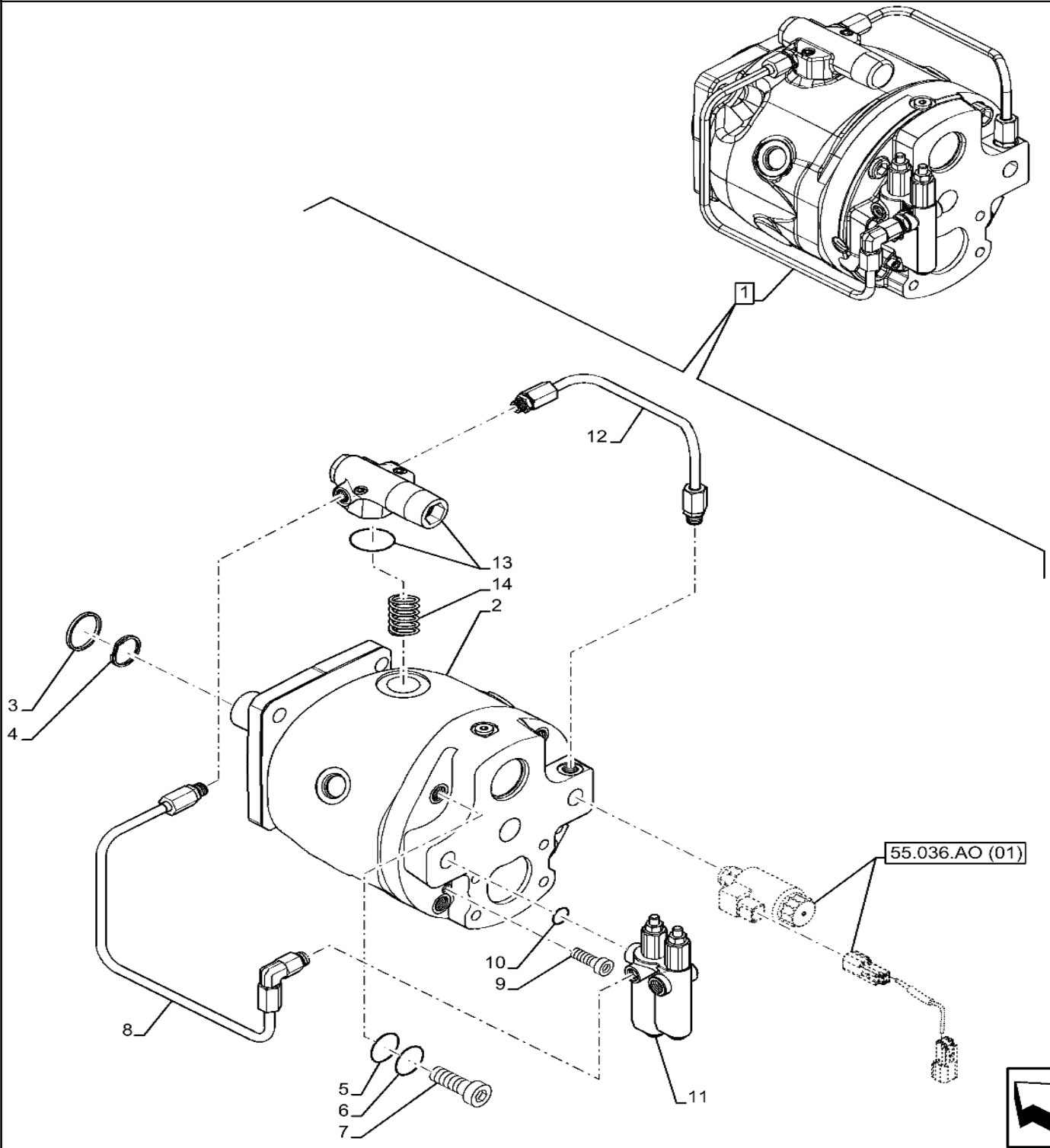


Figure is Valid with Industrial Var. 742369 2 Levers Control only when Var. 423093 Cold Start Aid or Var. X20038X Standard Foot Swing Control or Var. X20233X No Heavy Lift is Equipped.

VAR - 423080 - HYDRAULIC SYSTEM, DRAIN LINE, MECHANICAL

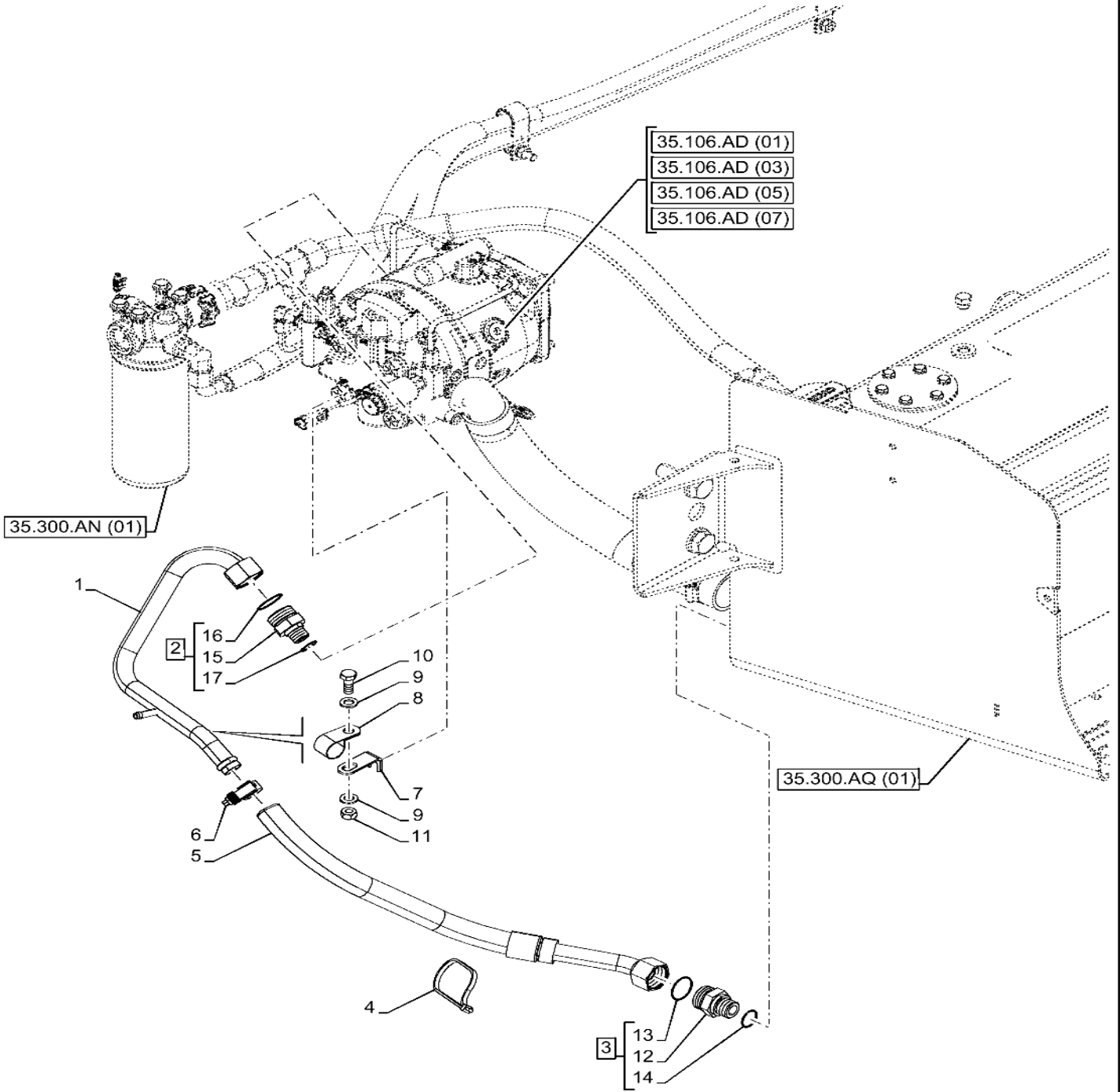


Figure is Valid with Industrial Var. 423080 and Option X20233X

BACKHOE ARM, MECHANICAL CONTROL, FOOT SLEWING/SWING

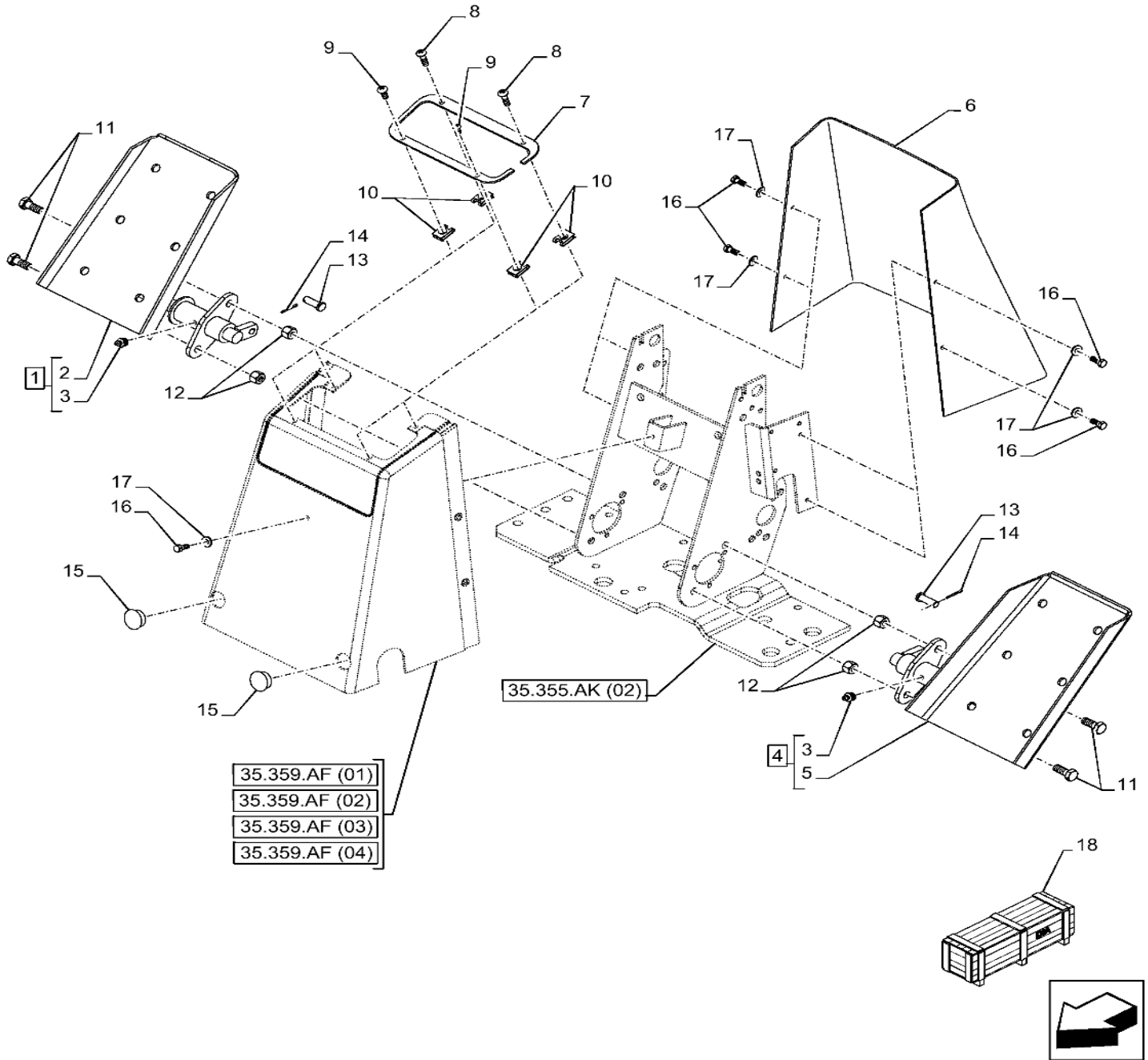


Figure is Valid with Option X20038X

VAR - 423078, 747669 - PILOT CONTROLS, JOYSTICK, LINE

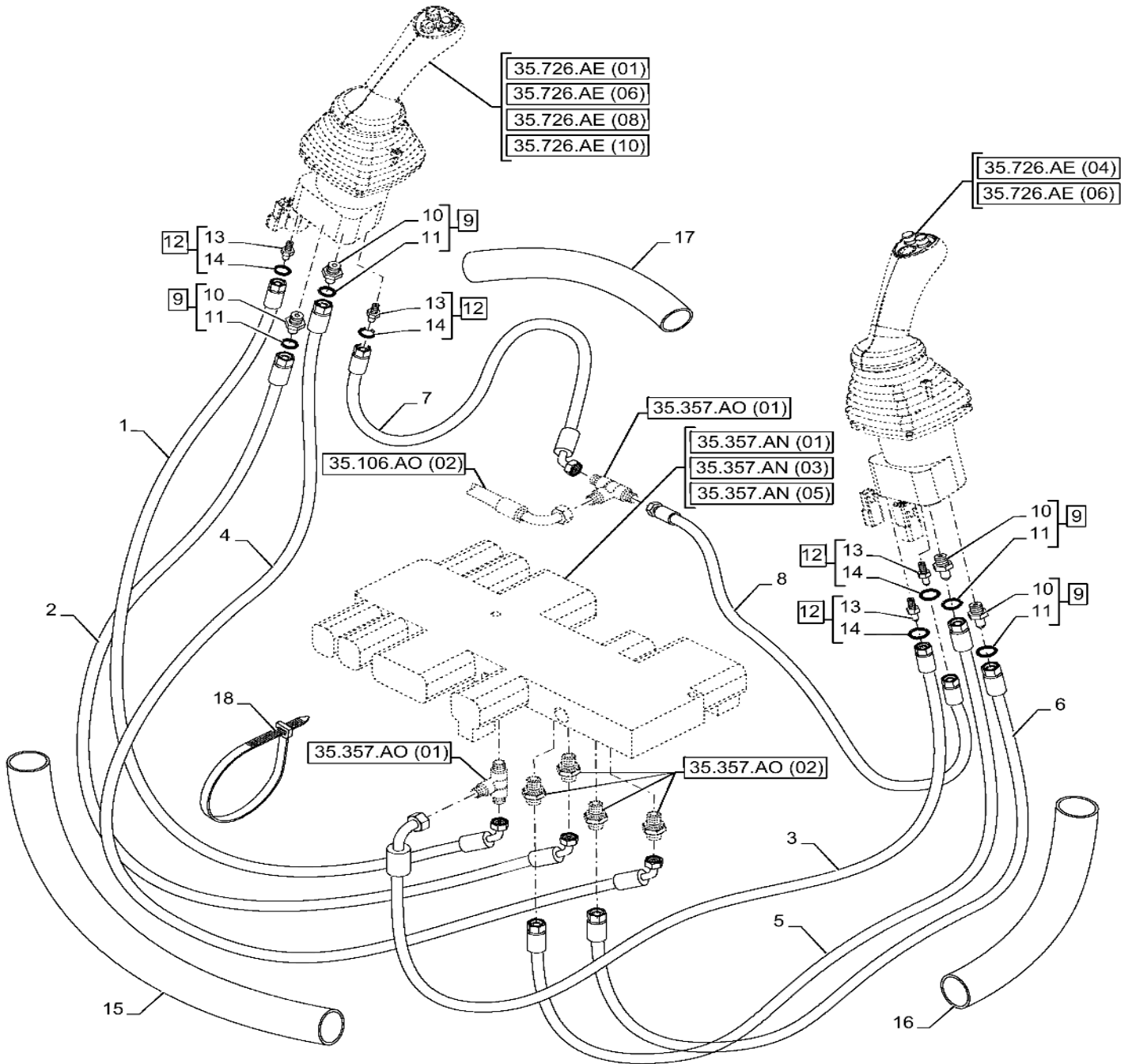


Figure is Valid with Industrial Var. 423078, 747669

7-SPOOL, PRESSURE CONTROL VALVE, LINE

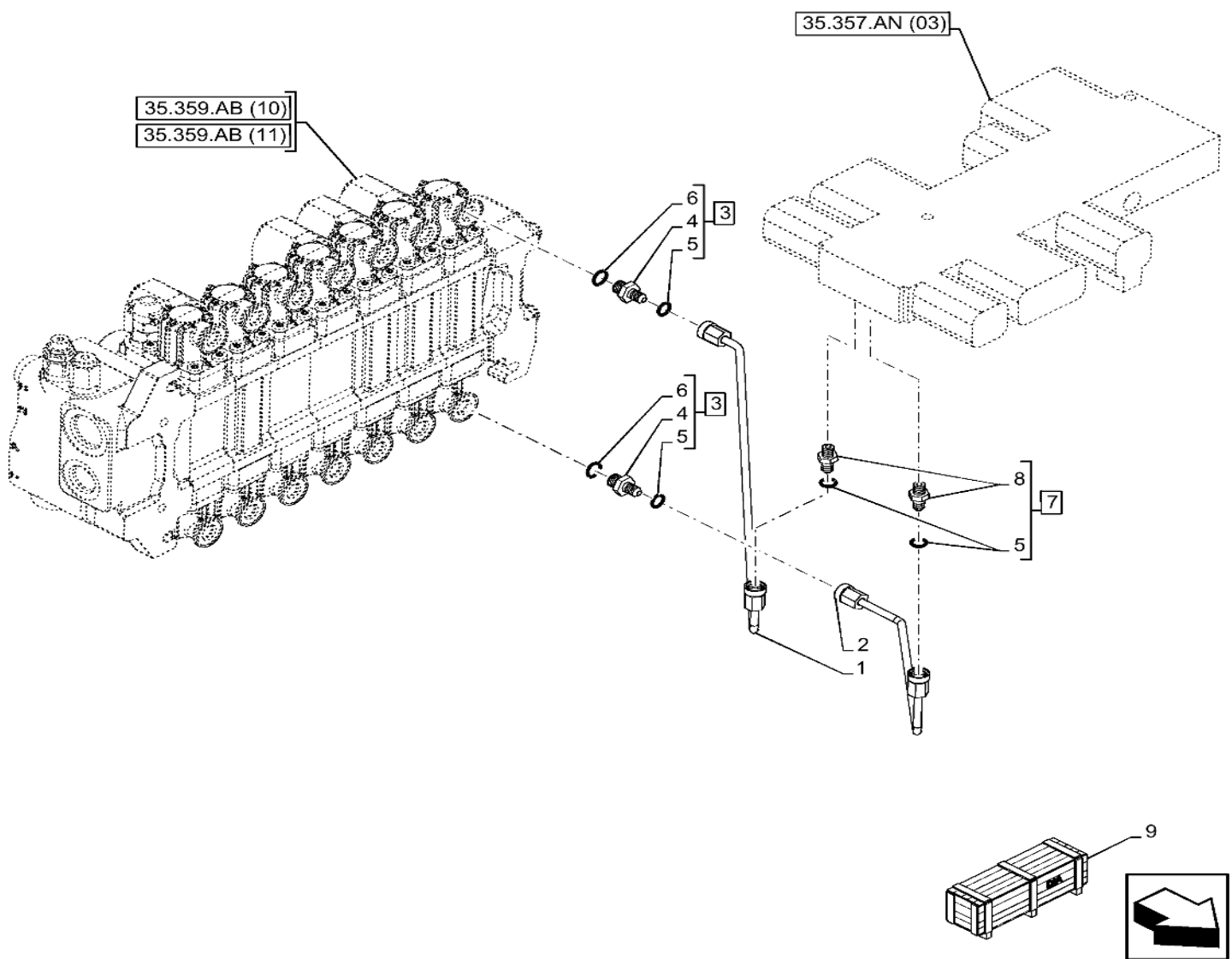


Figure is Valid with Industrial Var. 423075 Standard Dipper only when Var. 423078 Pilot Controls W/ Heavy Lift or Var. 423084 Auxiliary Hydraulics, Combo Direct - Pilot Controls is Equipped.

35.359.AB

11

p1

2/2020

BACKHOE CONTROL VALVE, 7-SPOOL, MOUNTING PARTS, EXTENDABLE DIPPER, W/ PILOT CONTROLS

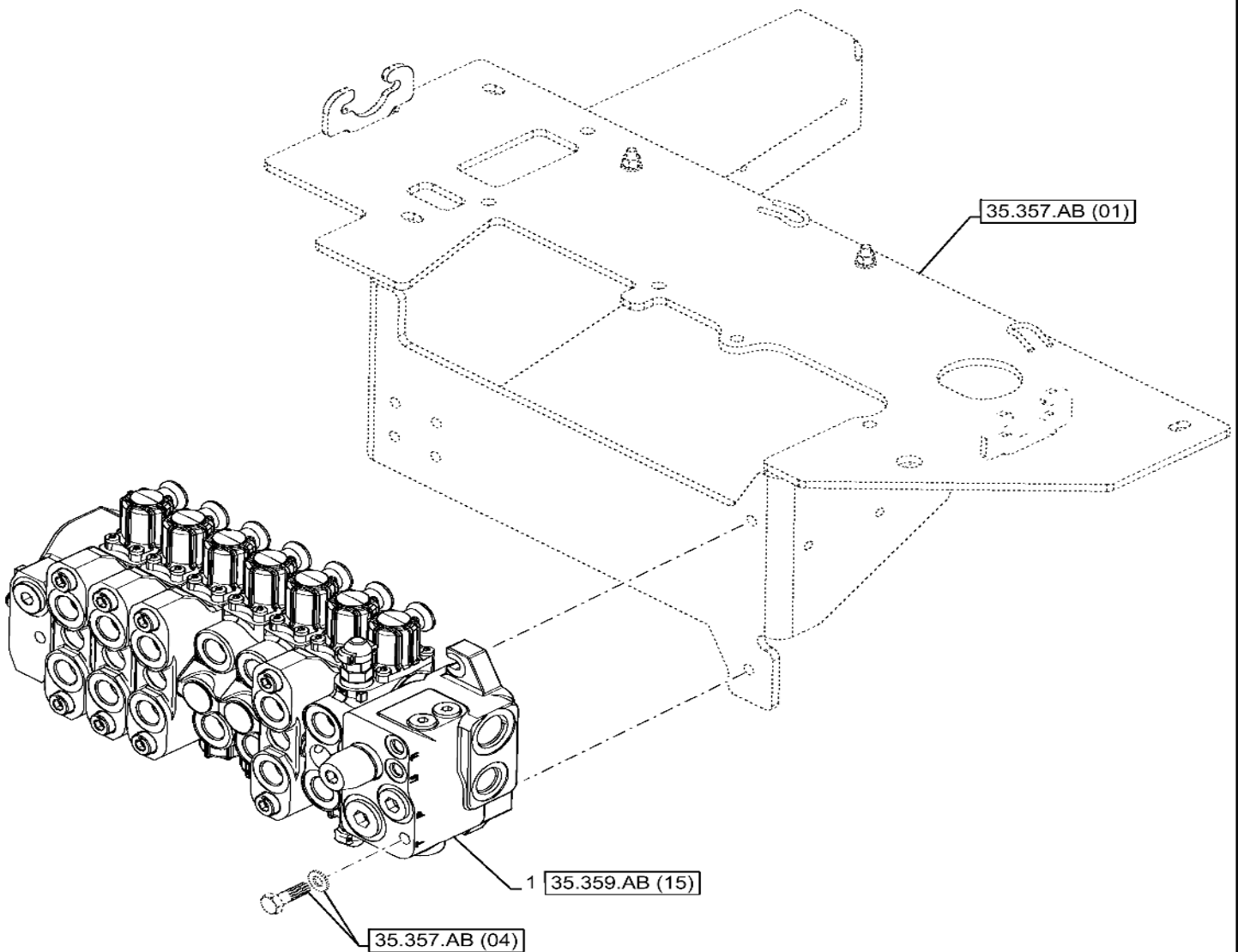


Figure is Valid with Industrial Var. 423076 Extendable Dipper only when Var. 423078 Pilot Controls W/ Heavy Lift or Var. 423083 Auxiliary Hydraulic, Combo Direct - Manual Controls or Var. 747661 Auxiliary Hydraulics/Uni-Direct Manual Control or Var. X20036X No Backhoe Auxiliary Hydraulics is Equipped.

BACKHOE CONTROL VALVE, 8-SPOOL, HYD VALVE SECTION, COMPONENTS

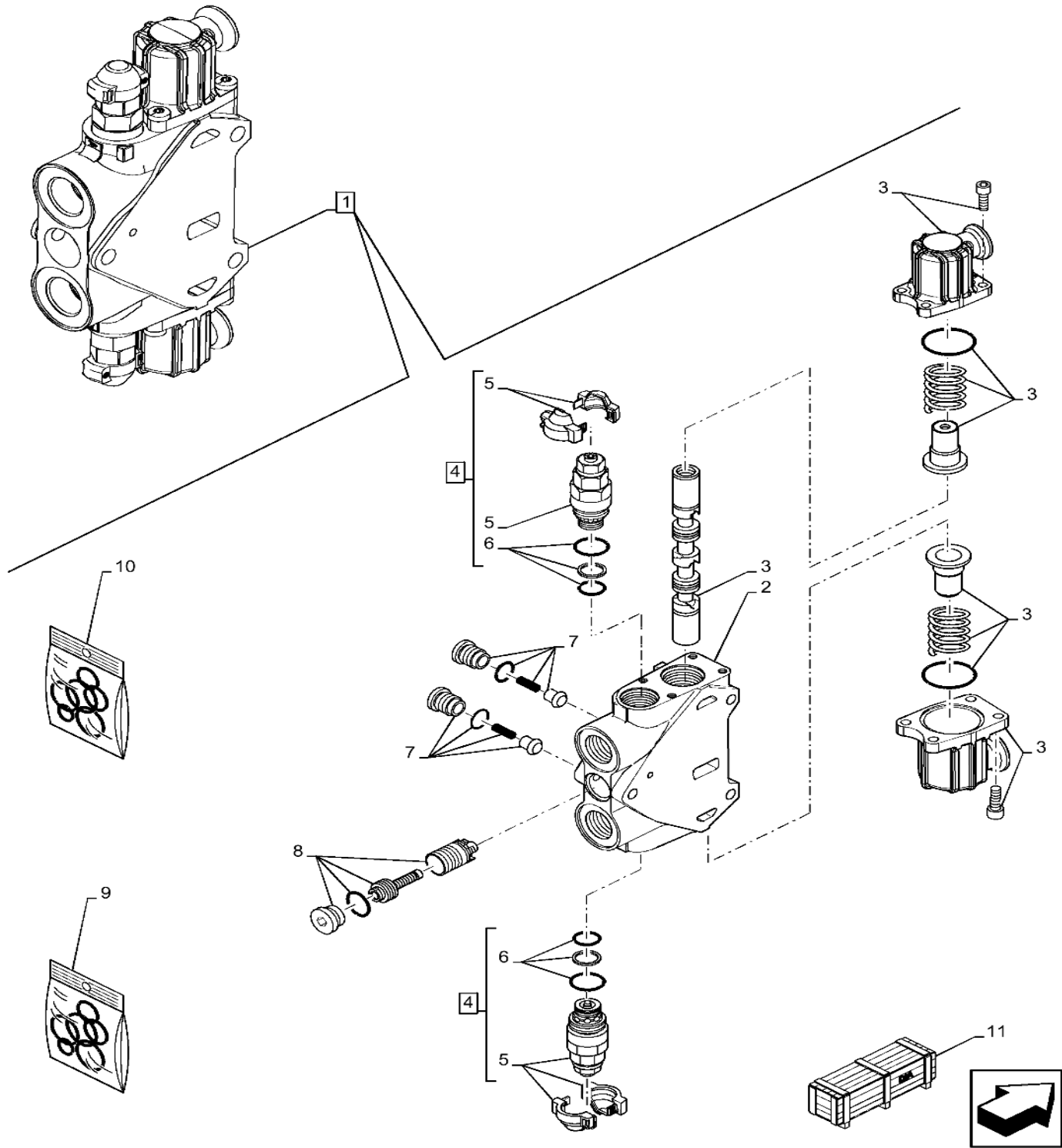


Figure is Valid with Industrial Var. 423075 Standard Dipper only when Var. 423078 Pilot Controls W/ Heavy Lift or Var. 423084 Auxiliary Hydraulics, Combo Direct - Pilot Controls is Equipped.

VAR - 747864 - LOADER, CONTROL VALVE, PILOT CONTROLS, 3-SPOOL, LOADER BUCKET, VALVE SECTION

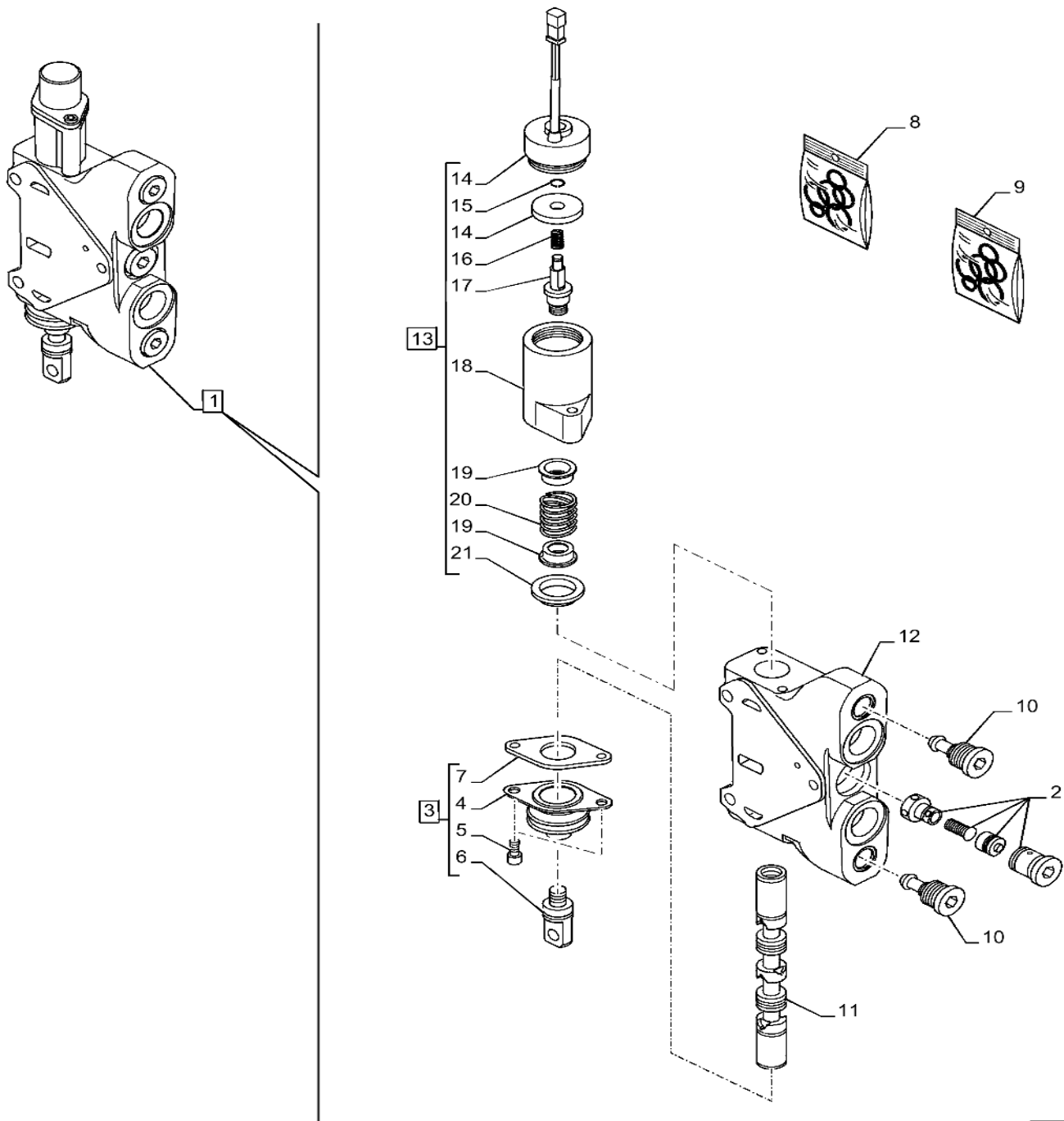


Figure is Valid with Industrial Var. 747864 and Option X20137X

BACKHOE CONTROL VALVE, 7-SPOOL, COMPONENTS, EXTENDABLE DIPPER, W/ FOOT SWING CONTROLS - END YR 10-JUL-2015

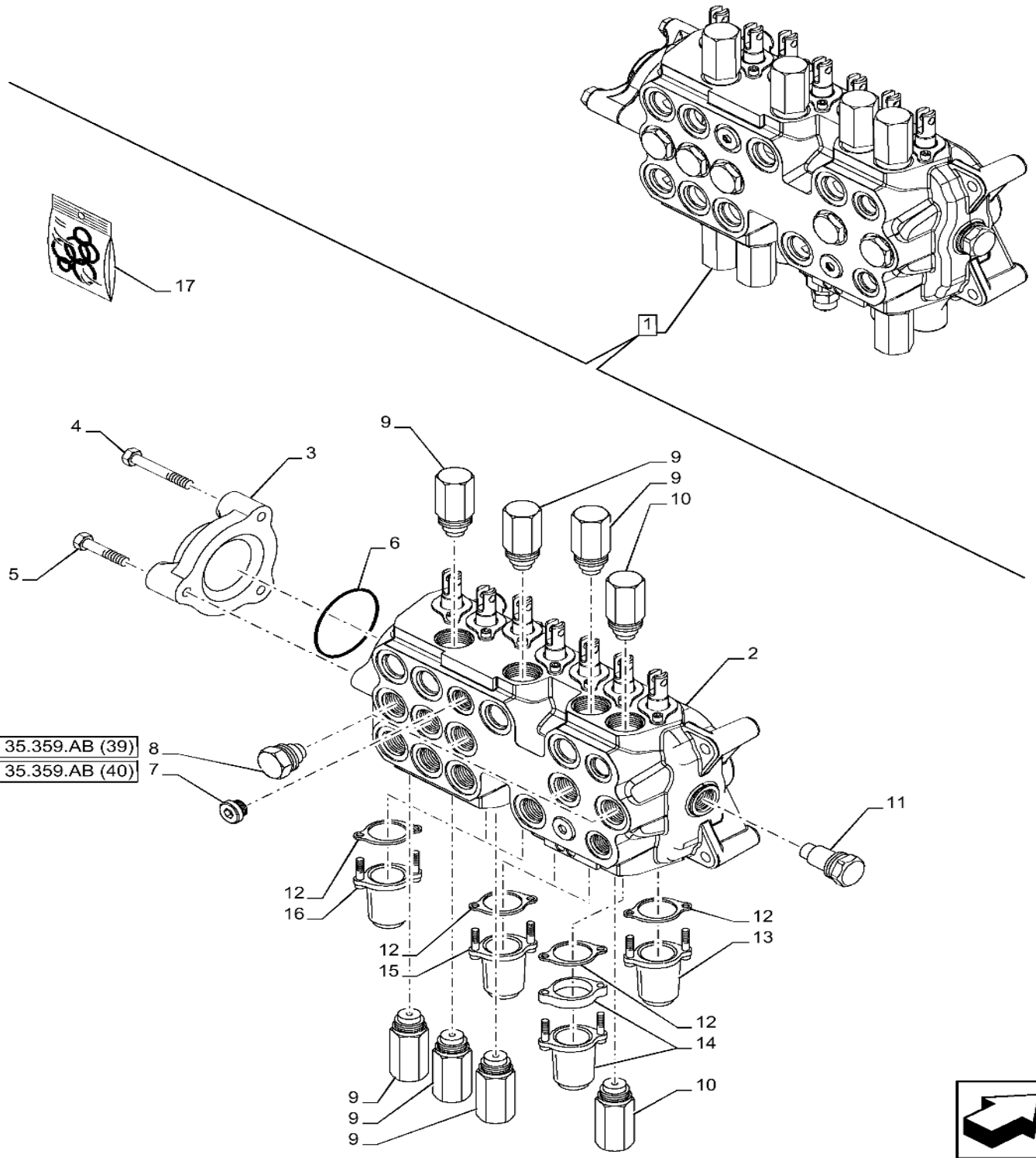


Figure is Valid with Industrial Var. 423076 Extendable Dipper only when Var. 747661, 747662 Auxiliary Hydraulic/Uni-Direct or Var. X20036X No Backhoe Auxiliary Hydraulic or Var. X20038X Foot Swing Controls is Equipped; C7373 Before Date 11 July 2015

BACKHOE CONTROL VALVE, 8-SPOOL, COMPONENTS, EXTENDABLE DIPPER, W/ FOOT SWING CONTROLS - BEGIN YR 11-JUL-2015

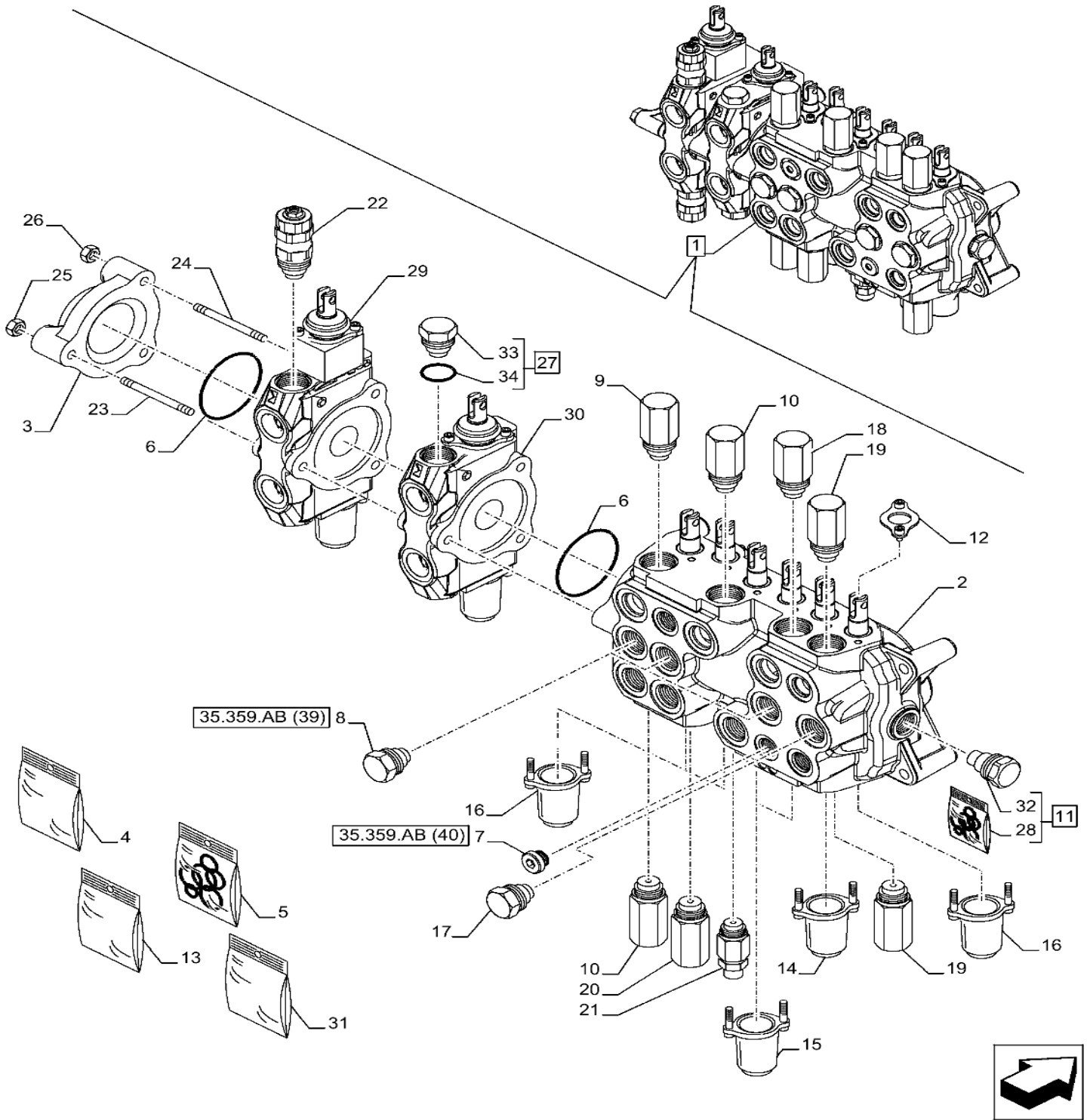


Figure is Valid with Industrial Var. 423076 Extendable Dipper only when Var. 423083, 423084 Auxiliary Hydraulic, Combo Direct or Var. X20038X Foot Swing Controls is Equipped; D7373 After Date 10 July 2015

35.359.AE

06

p1

2/2020

VAR - 74776 - LOADER, CONTROL VALVE LINE

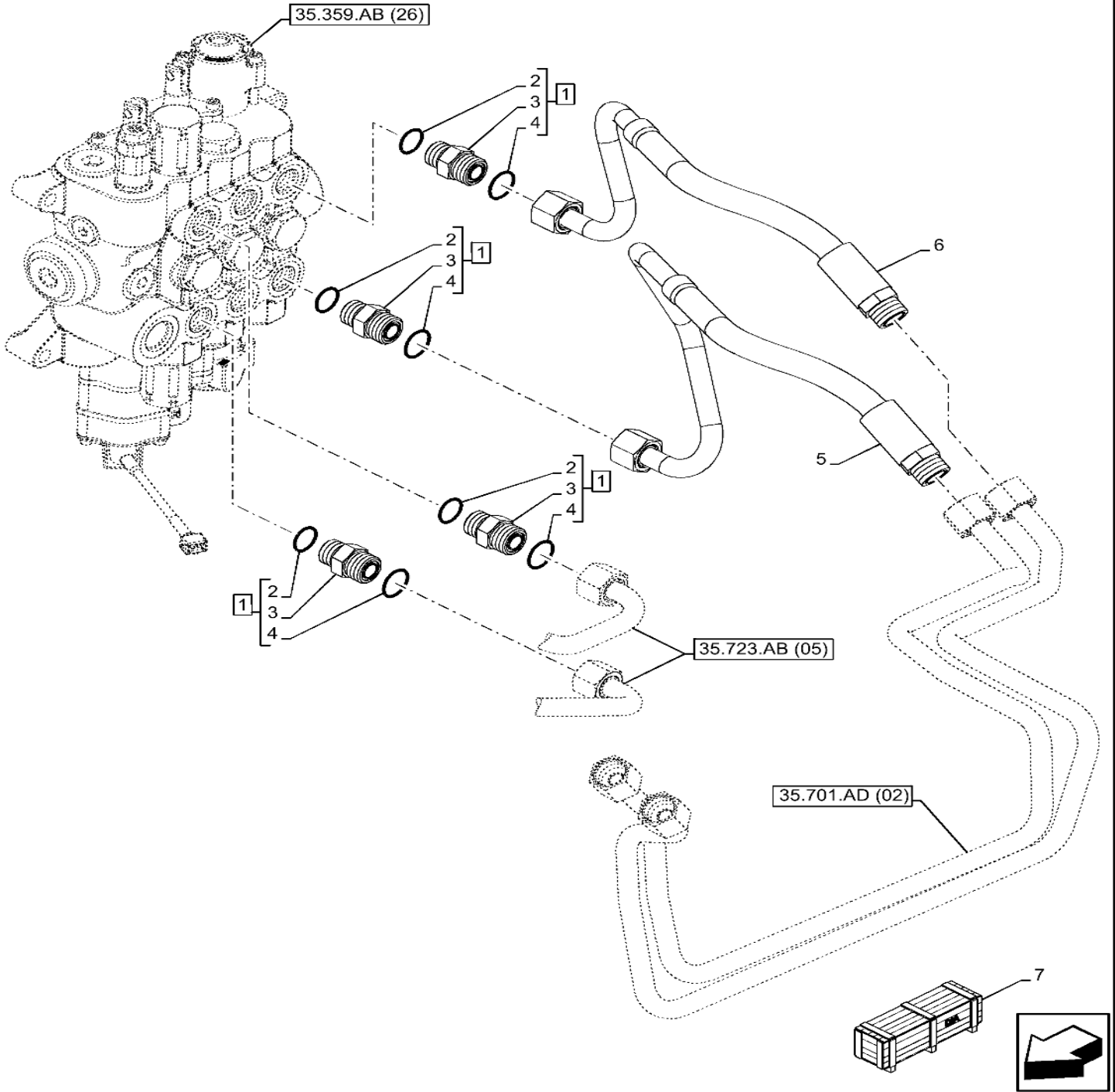


Figure is Valid with Industrial Var. 74776 and Option X20137X

LOADER, CONTROL VALVE LINE

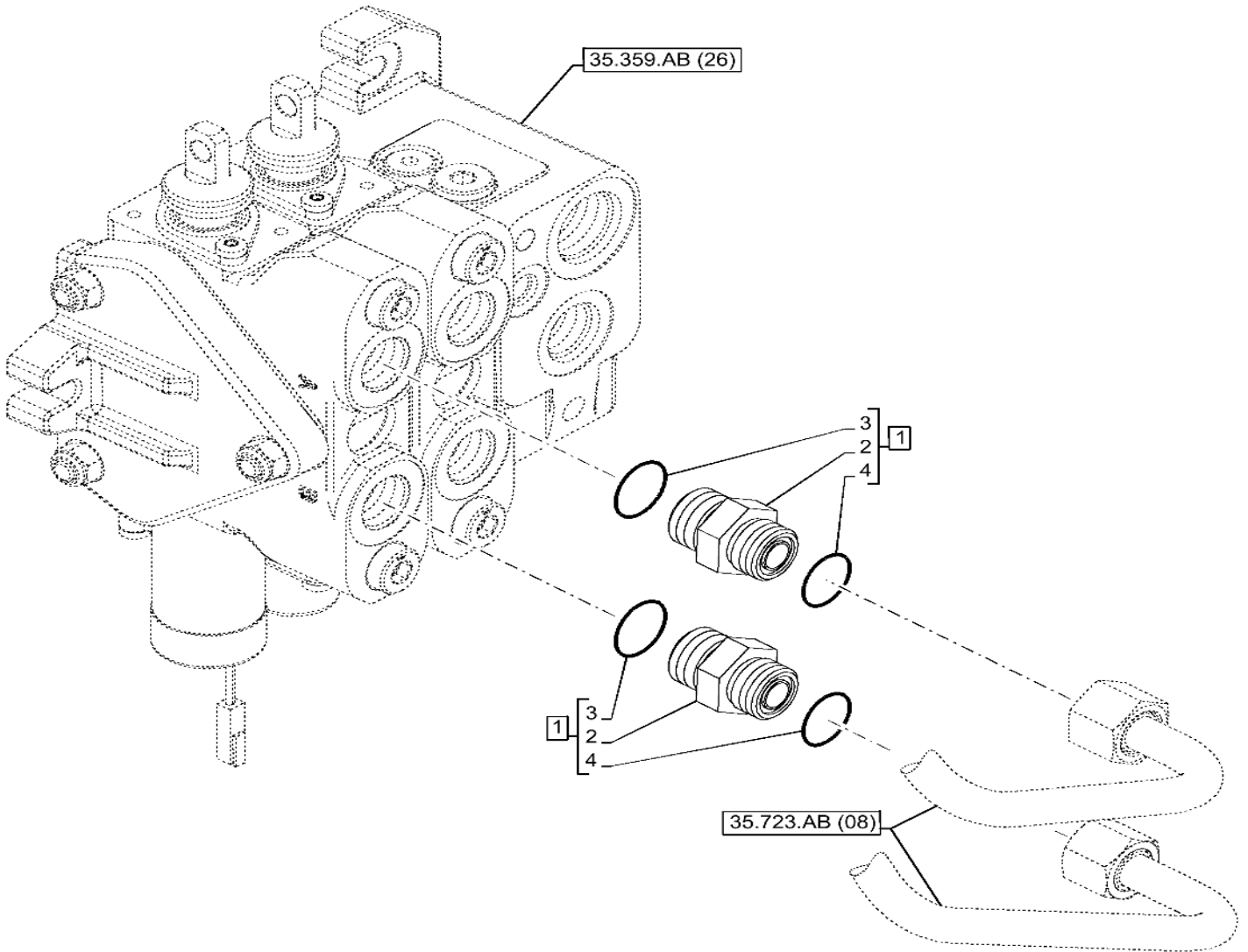


Figure is Valid with Option X20137X

35.359.AF

04

p1

2/2020

BACKHOE CONTROL VALVE, 7-SPOOL, MECHANICAL CONTROLS

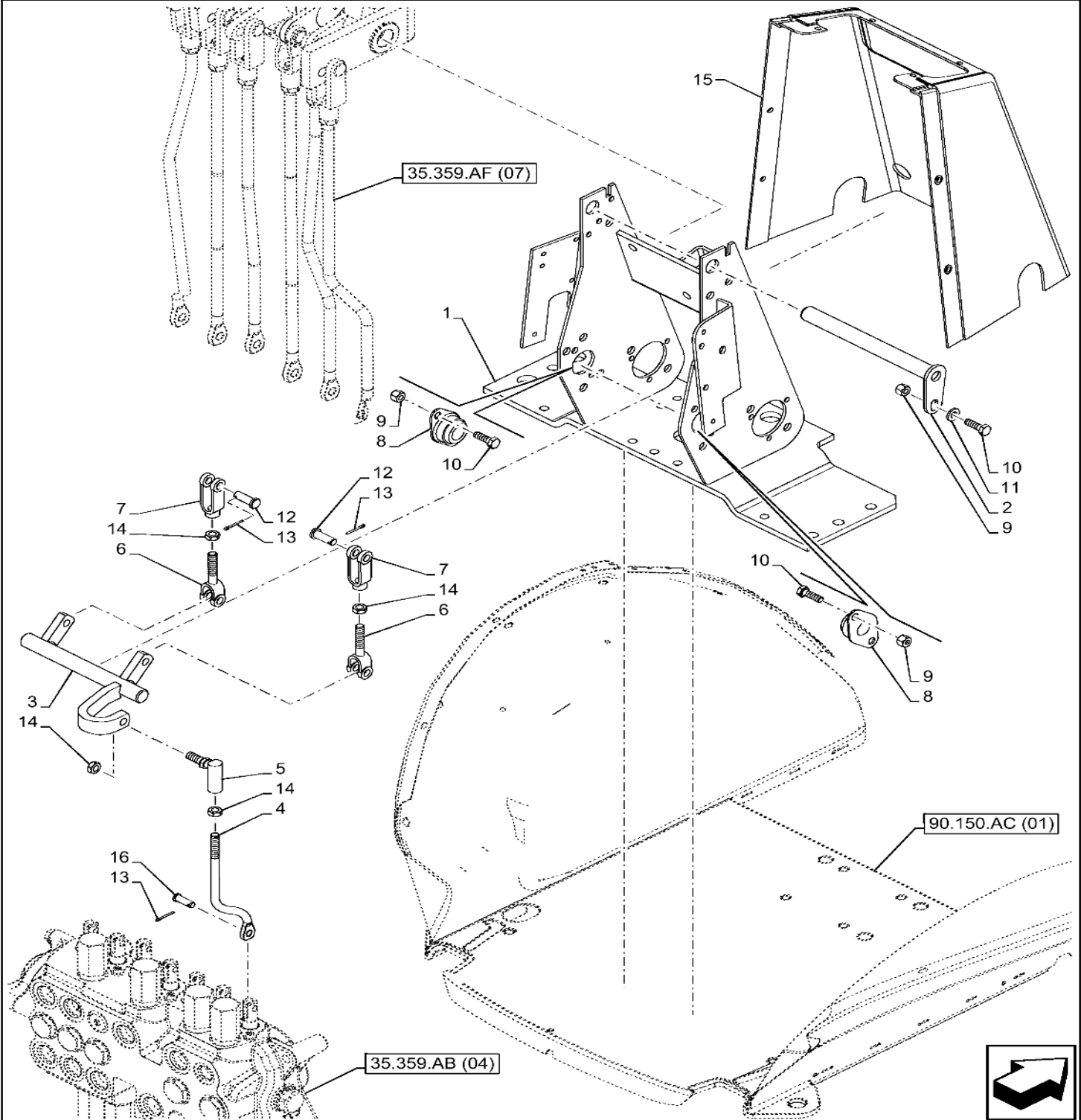


Figure is Valid with Industrial Var. 423076 Extendable Dipper only when Var. 747661, 747662 Auxiliary Hydraulic/Uni-Direct or Var. X20036X No Backhoe Auxiliary Hydraulic or Var. X20038X Foot Swing Controls is Equipped.



35.525.AA

02

p2

2/2020

VAR - 423083, 423084, 747661, 747662 - AUXILIARY HYDRAULIC, LINE

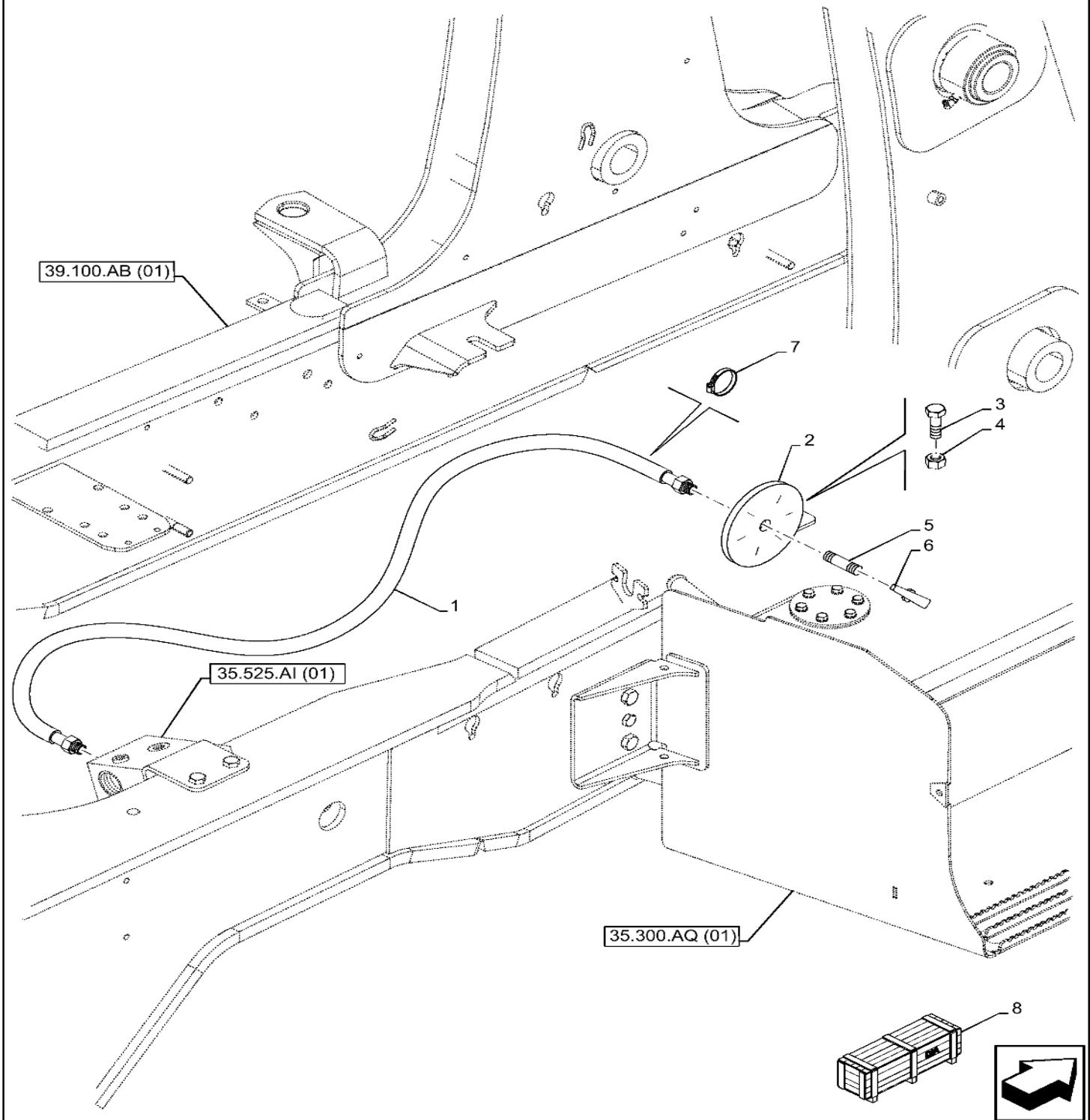


Figure is Valid with Industrial Var. 423083, 423084, 747661, 747662

35.525.AA

11

p1

2/2020

VAR - 423083, 423084 - AUXILIARY HYDRAULIC, LINES

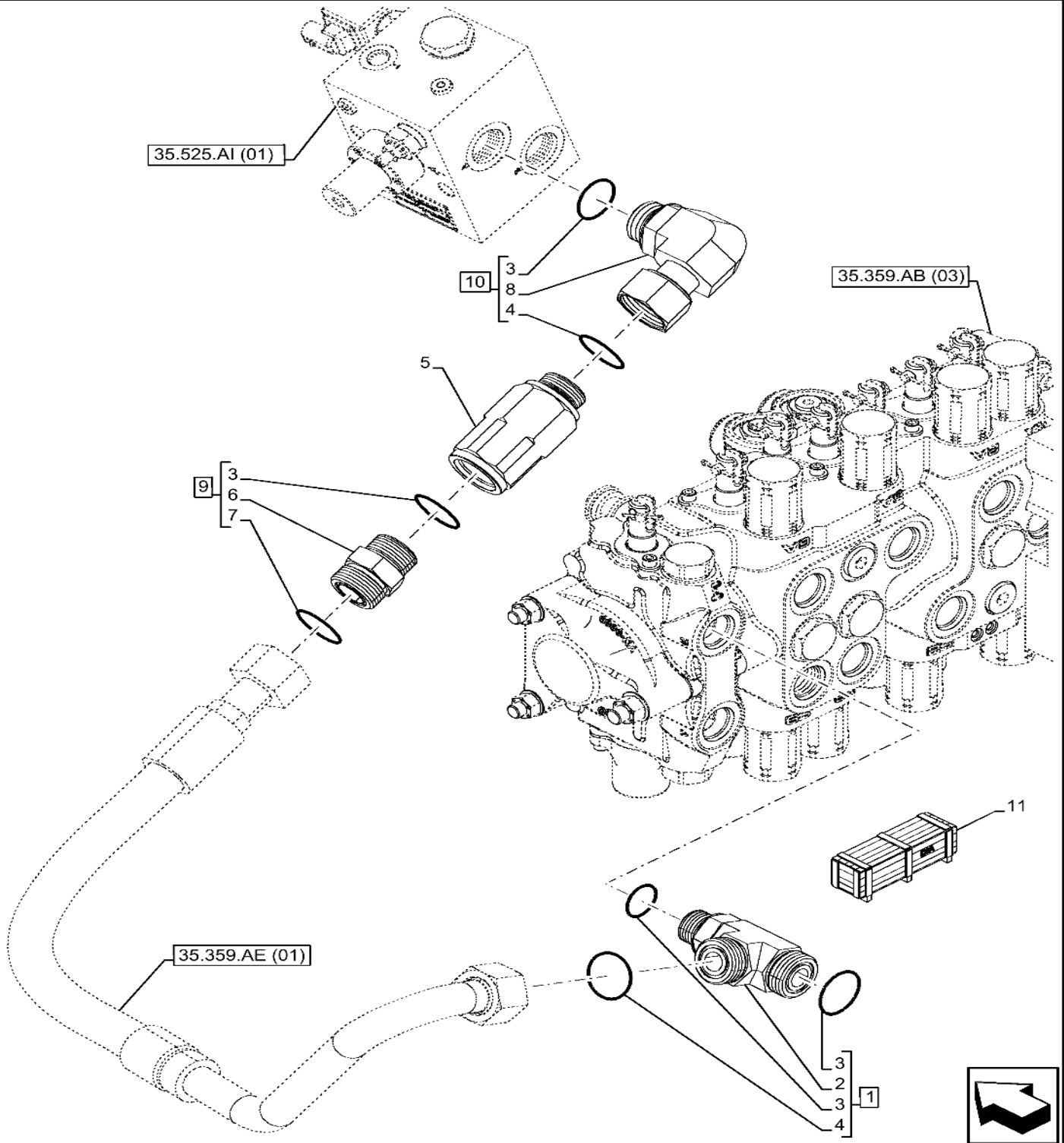


Figure is Valid with Industrial Var. 423083, 423084



VAR - 747662, 423084 - AUXILIARY HYDRAULIC, LINE

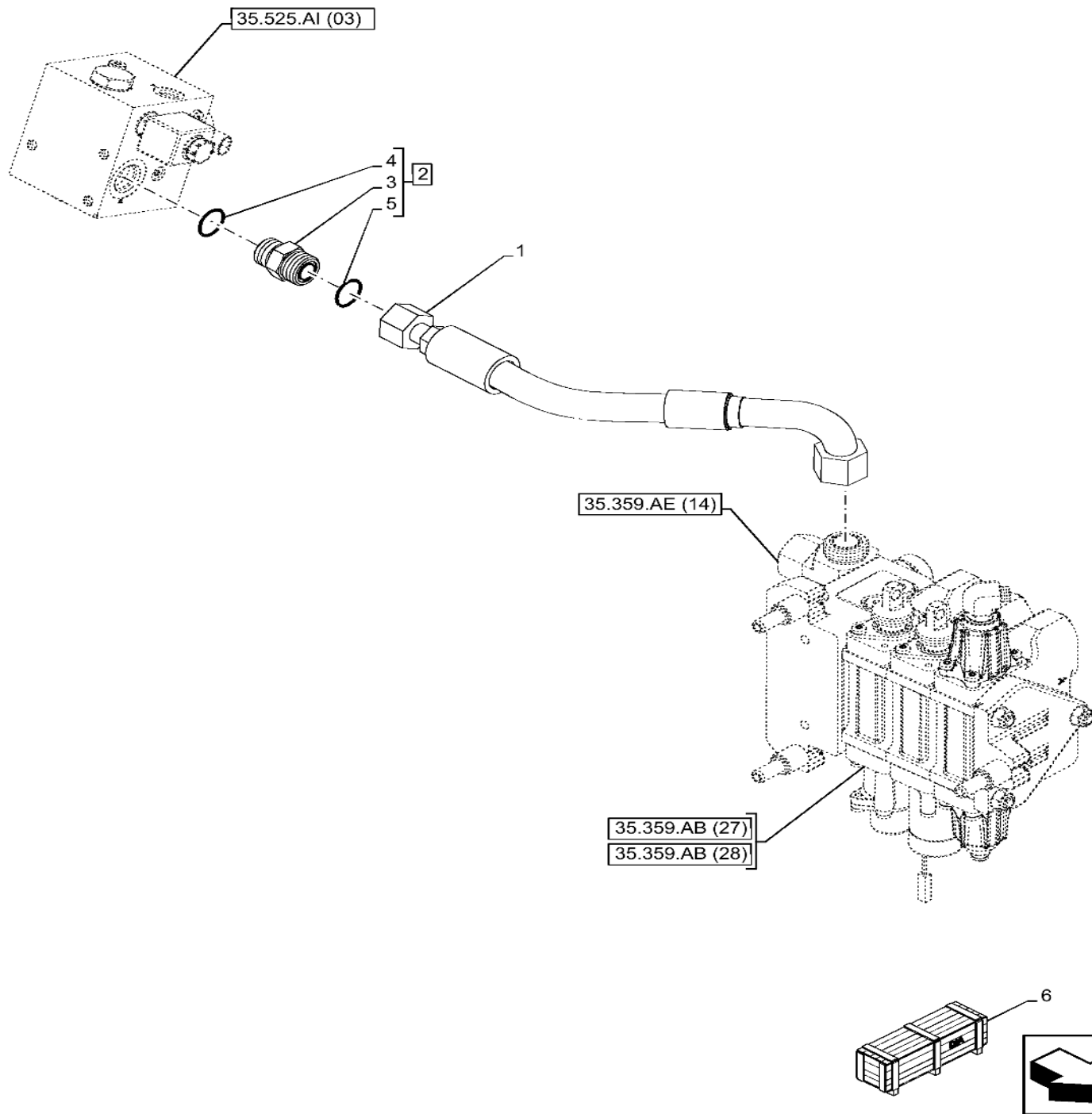


Figure is Valid with Industrial Var. 747662, 423084

35.525.AI

03

p1

2/2020

VAR - 747662, 423084 - AUXILIARY CONTROL VALVE, OPTIONAL EQUIPMENT

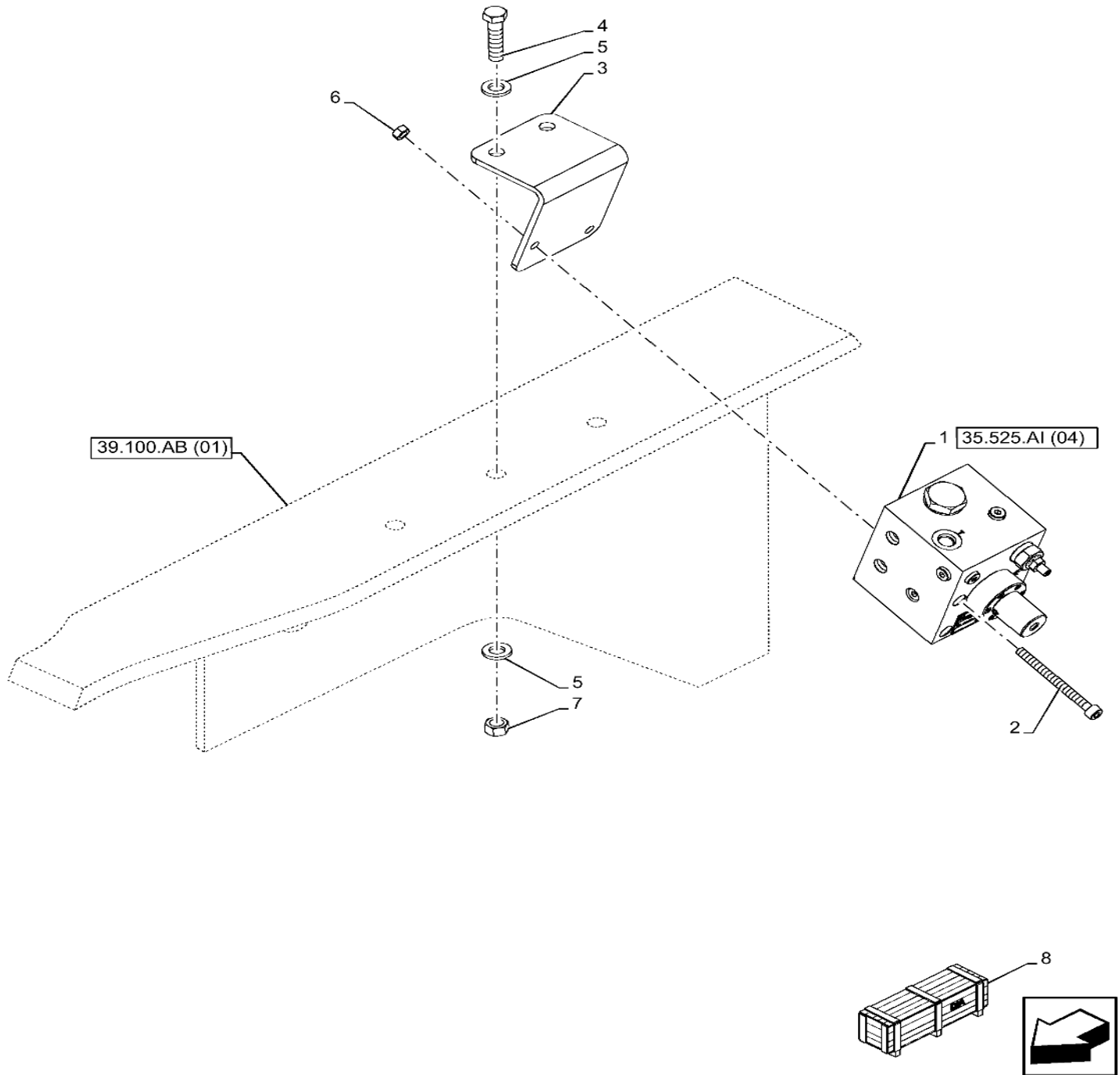


Figure is Valid with Industrial Var. 747662, 423084

35.701.AD

02

p1

2/2020

VAR - 747776, 747864 - LOADER BUCKET, AUXILIARY HYDRAULIC

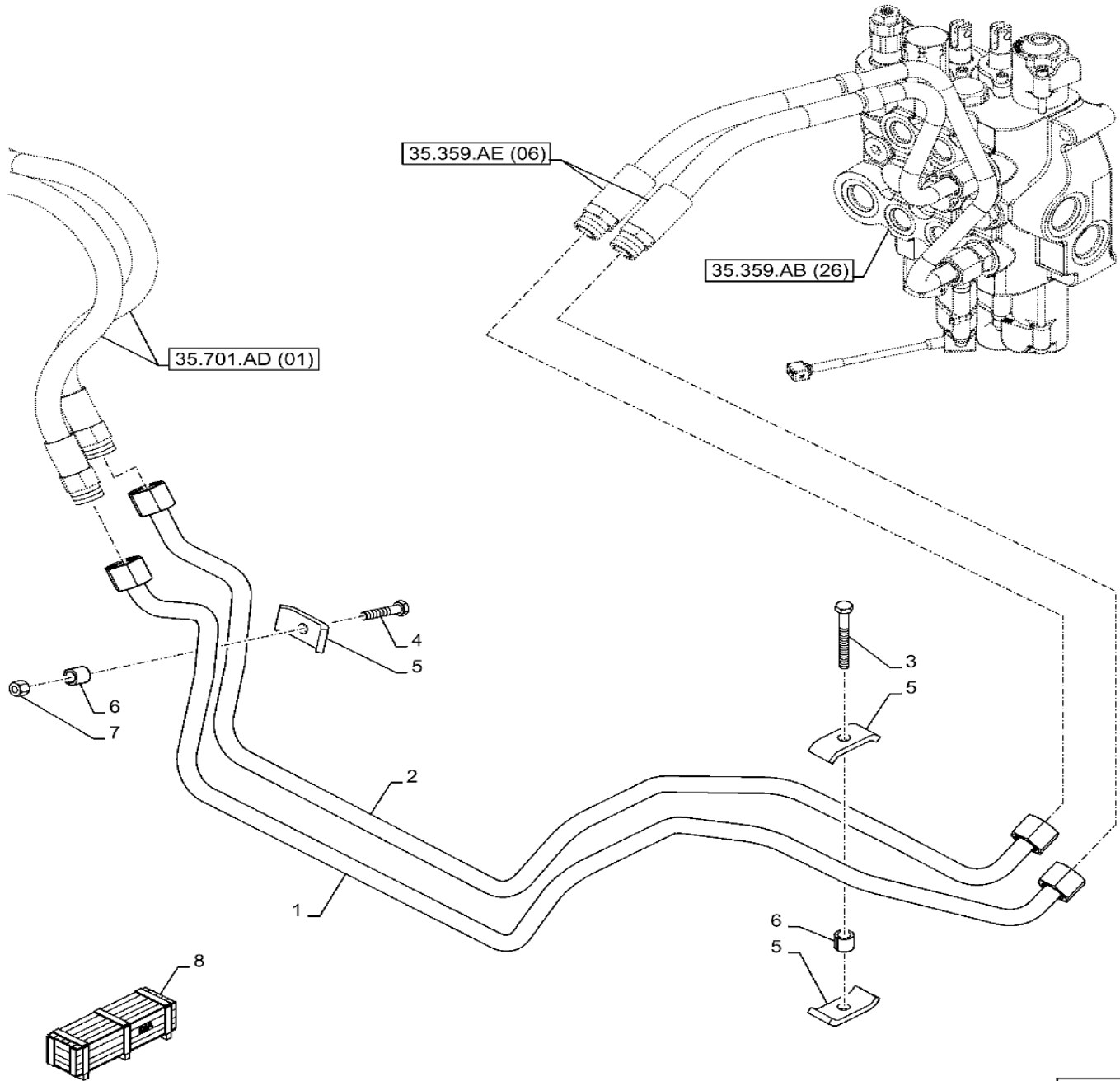


Figure is Valid with Industrial Var. 747776, 747864 and Option X20137X

35.701.BR

01

p1

2/2020

VAR - 74776 - LOADER, CONTROL VALVE, W/O RIDE CONTROL, LINE

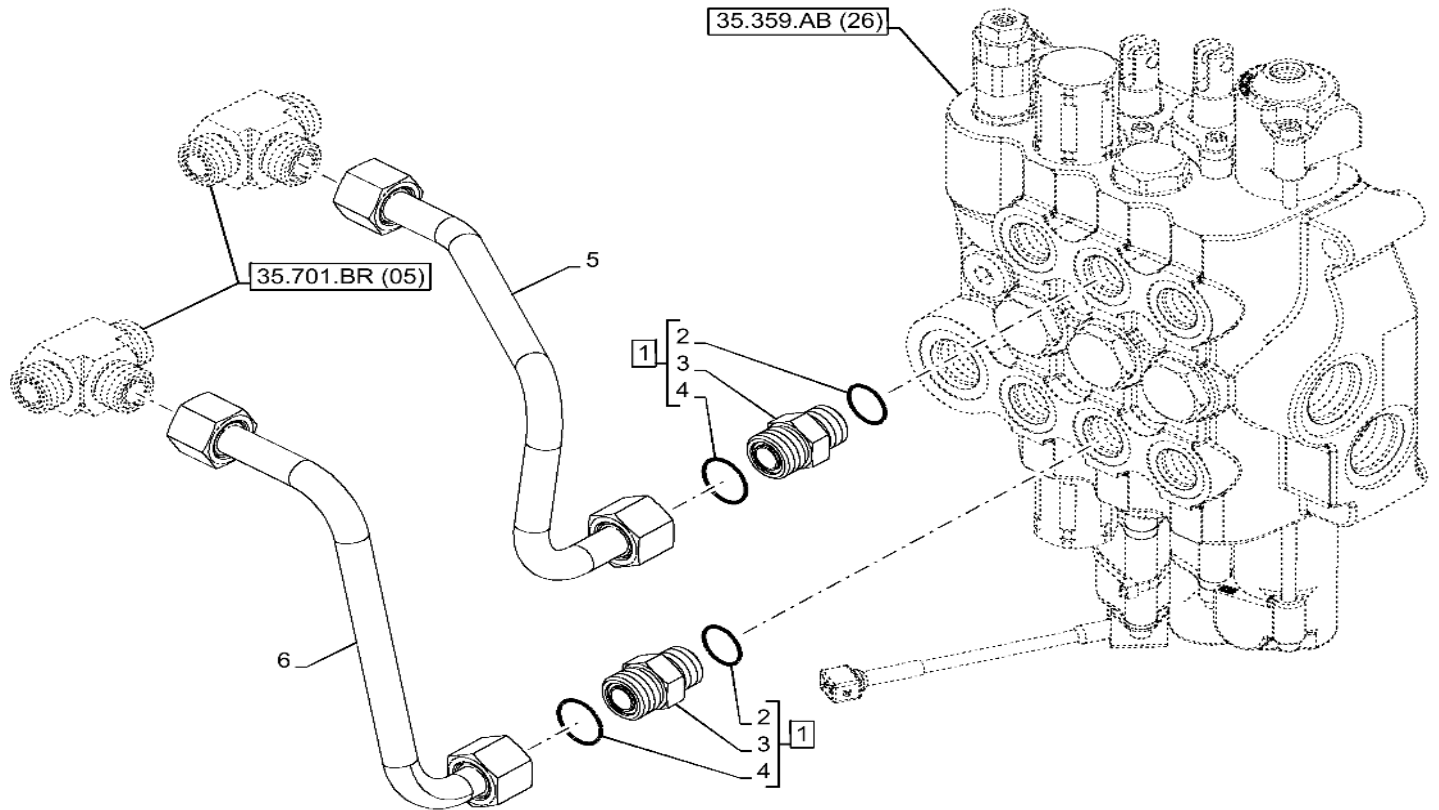
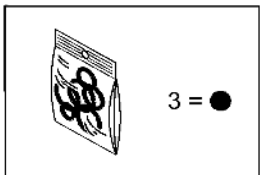
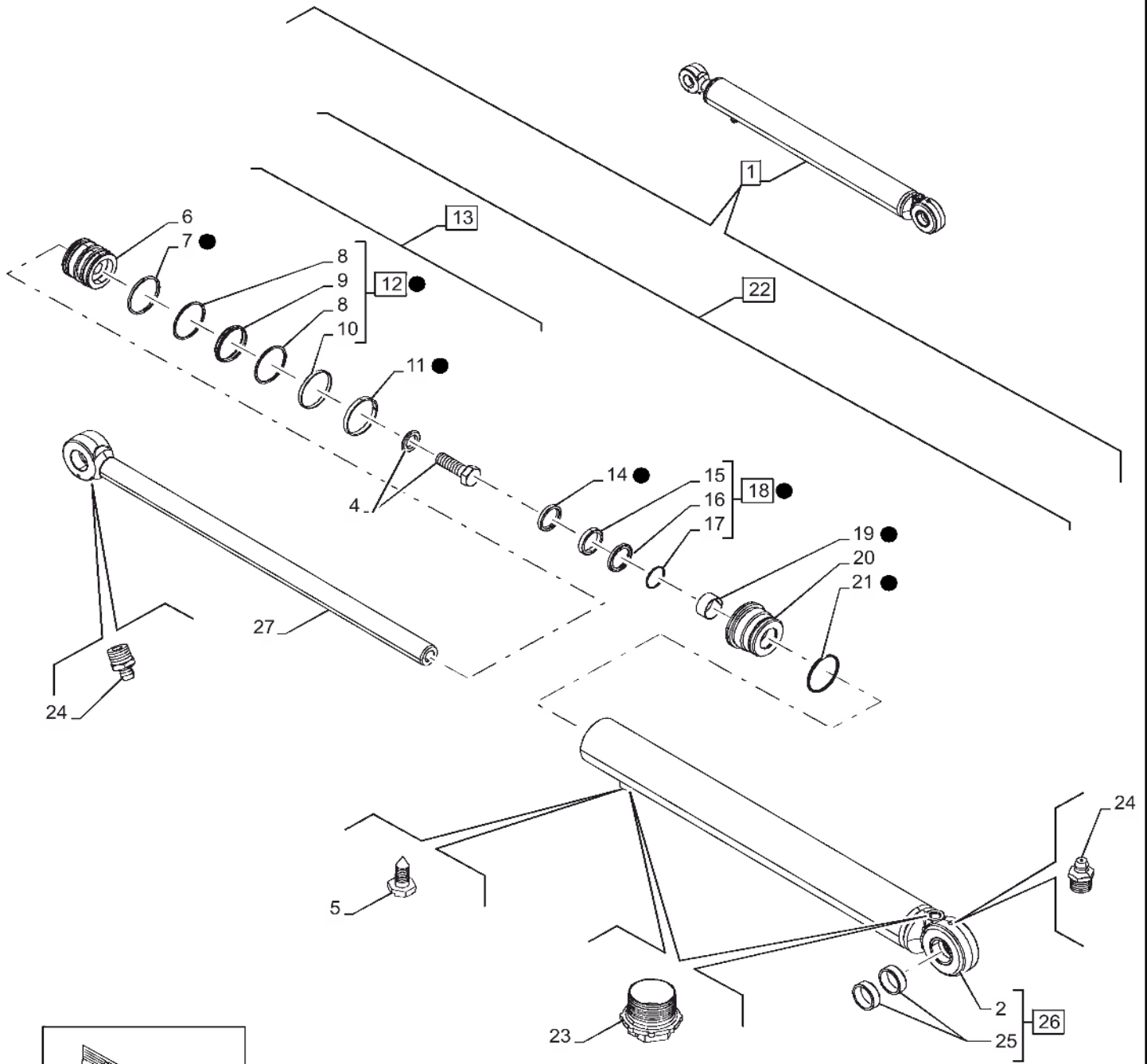


Figure is Valid with Industrial Var. 74776 and Option X20137X

LIFT CYLINDER, COMPONENTS



VAR - 423080 - CONTROL, LOADER BUCKET, LEVER, GEAR PUMP

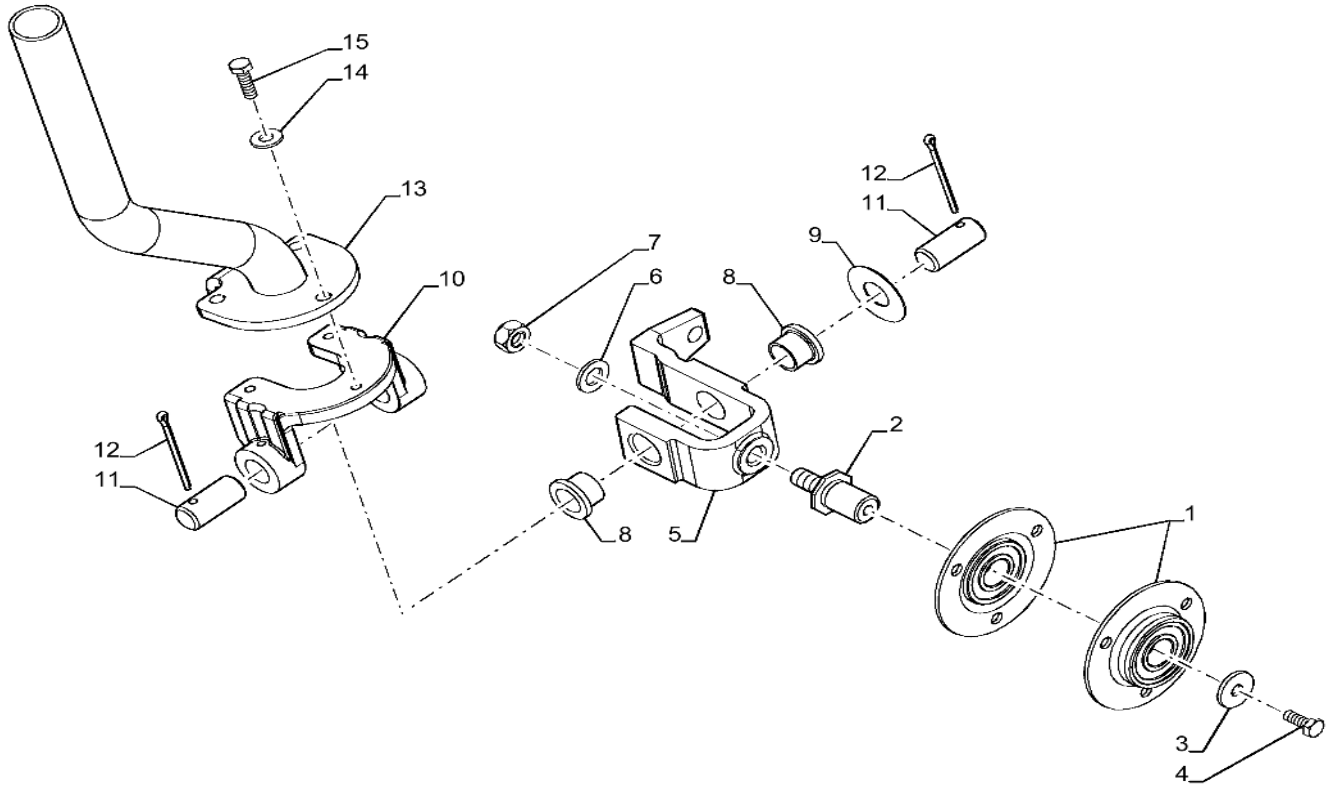


Figure is Valid with Industrial Var. 423080 and Option X20233X

35.726.AE

07

p1

2/2020

6-SPOOL, 7-SPOOL, PILOT CONTROLS, JOYSTICK, LH

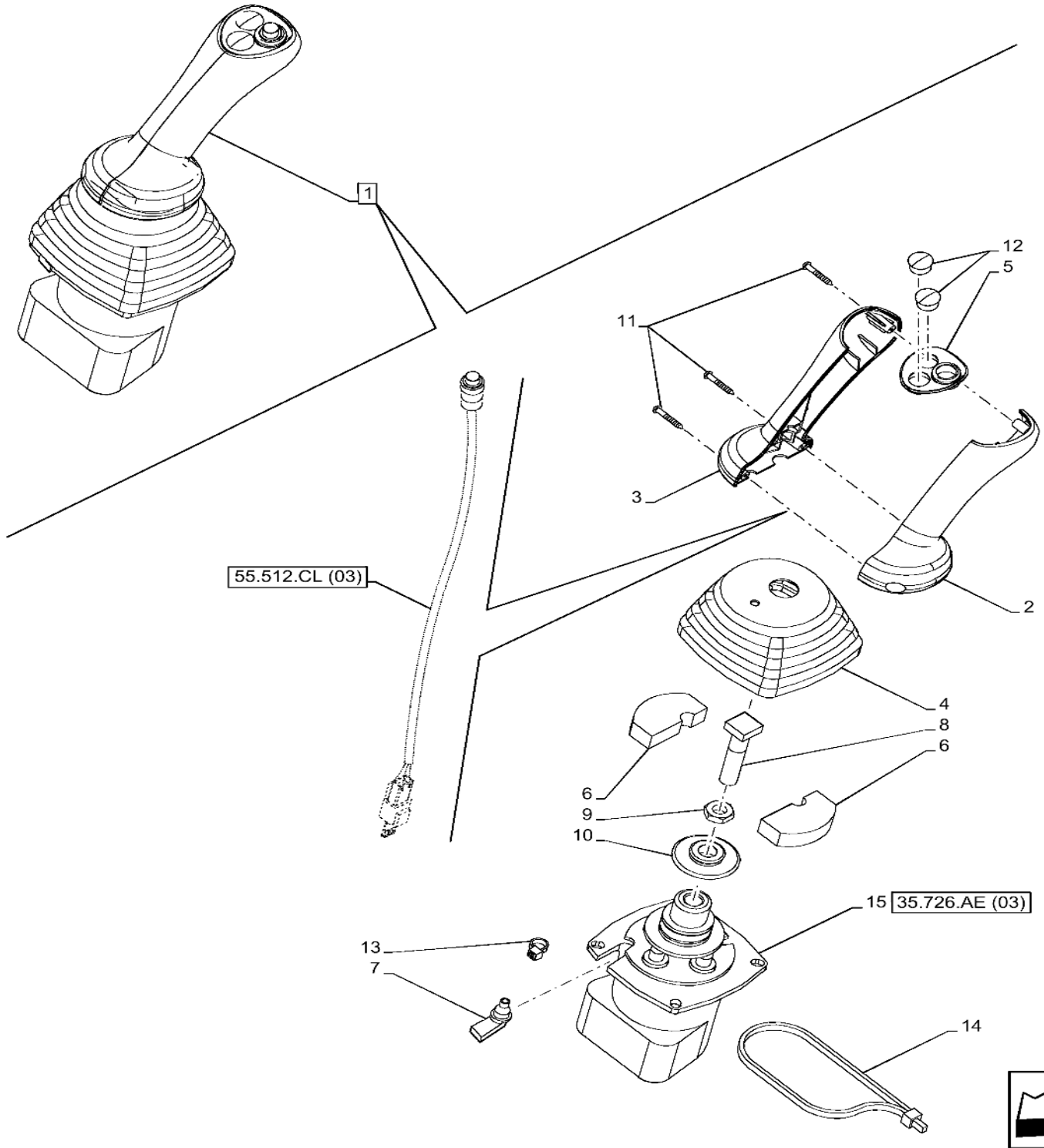


Figure is Valid with Industrial Var. 423075 Standard Dipper only when Var. 423078 Pilot Controls W/ Heavy Lift or Var. 747661 Auxiliary Hydraulic/Uni-Direct No Pilot Control or Var. X20036X No Backhoe Auxiliary Hydraulics is Equipped.

35.726.AU

06

p1

2/2020

EXTENDABLE DIPPER, AUXILIARY HYDRAULIC, SEVERE COLD WEATHER

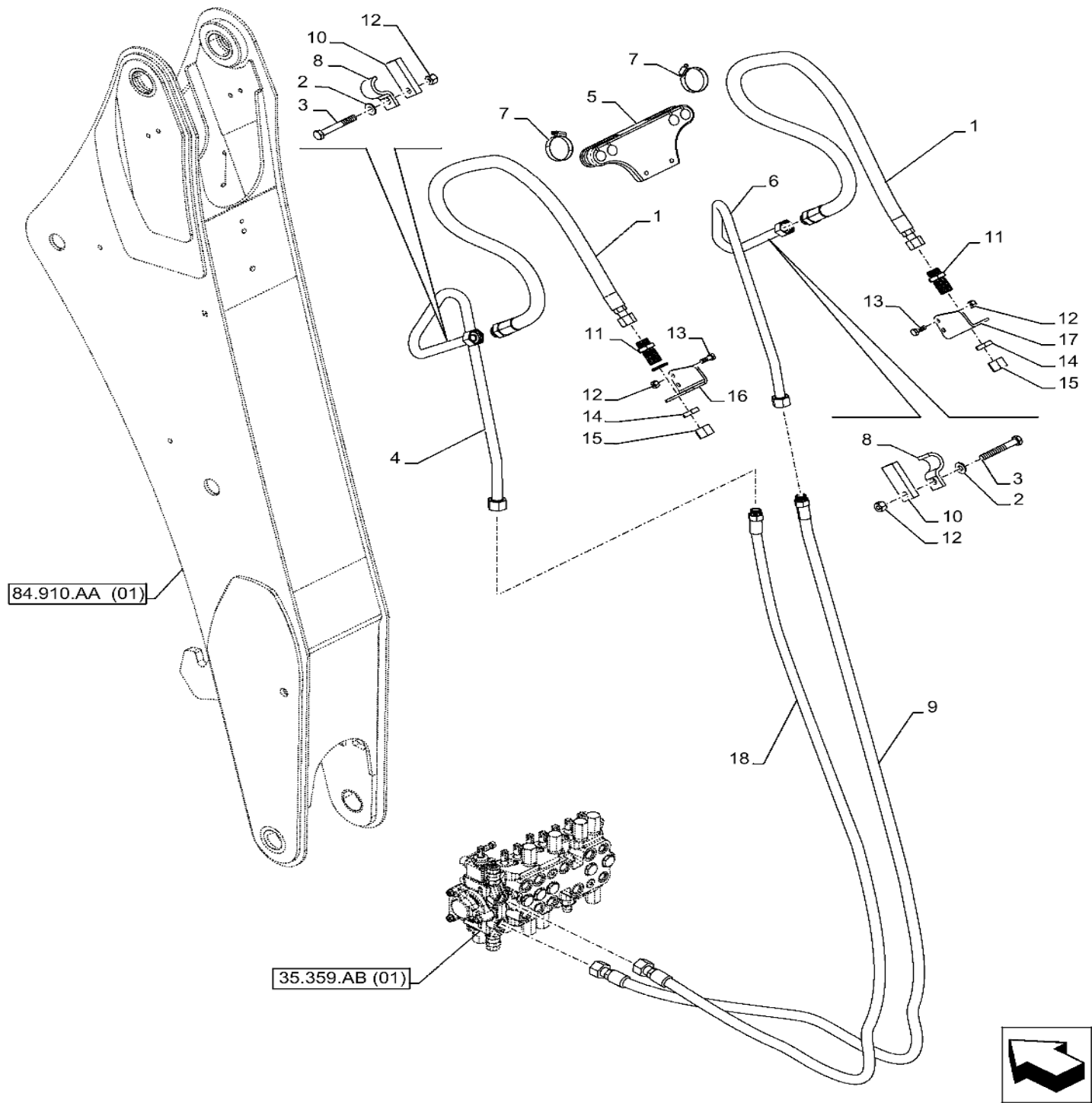


Figure is Valid with Industrial Var. 423076 Extendable Dipper only when Var. 423083, 423084, 747661, 747662 Auxiliary Hydraulic is Equipped.

QUICK COUPLER VALVE W/ LOADER AND BACKHOE HYDRAULIC COUPLER, COMPONENTS

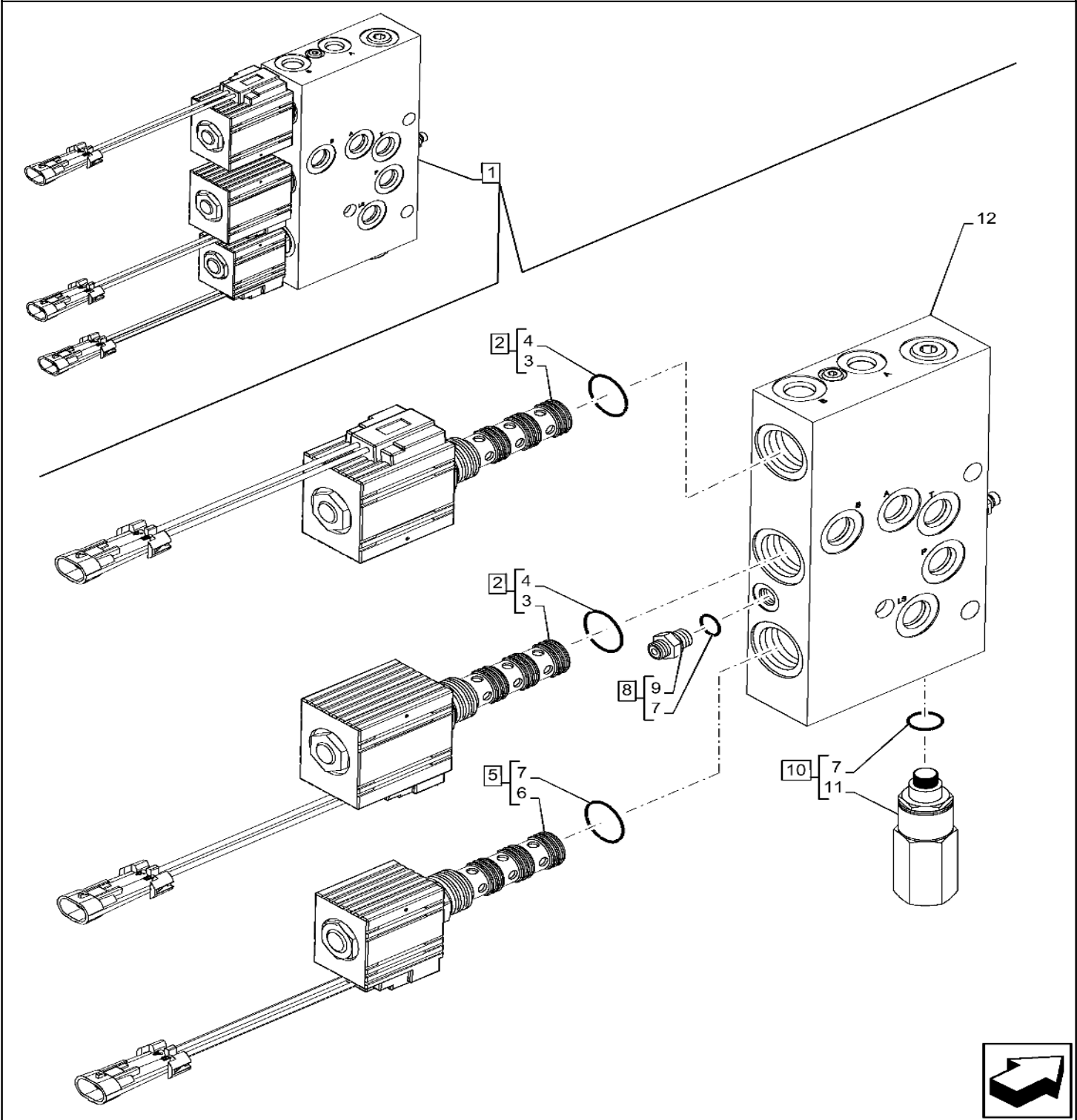
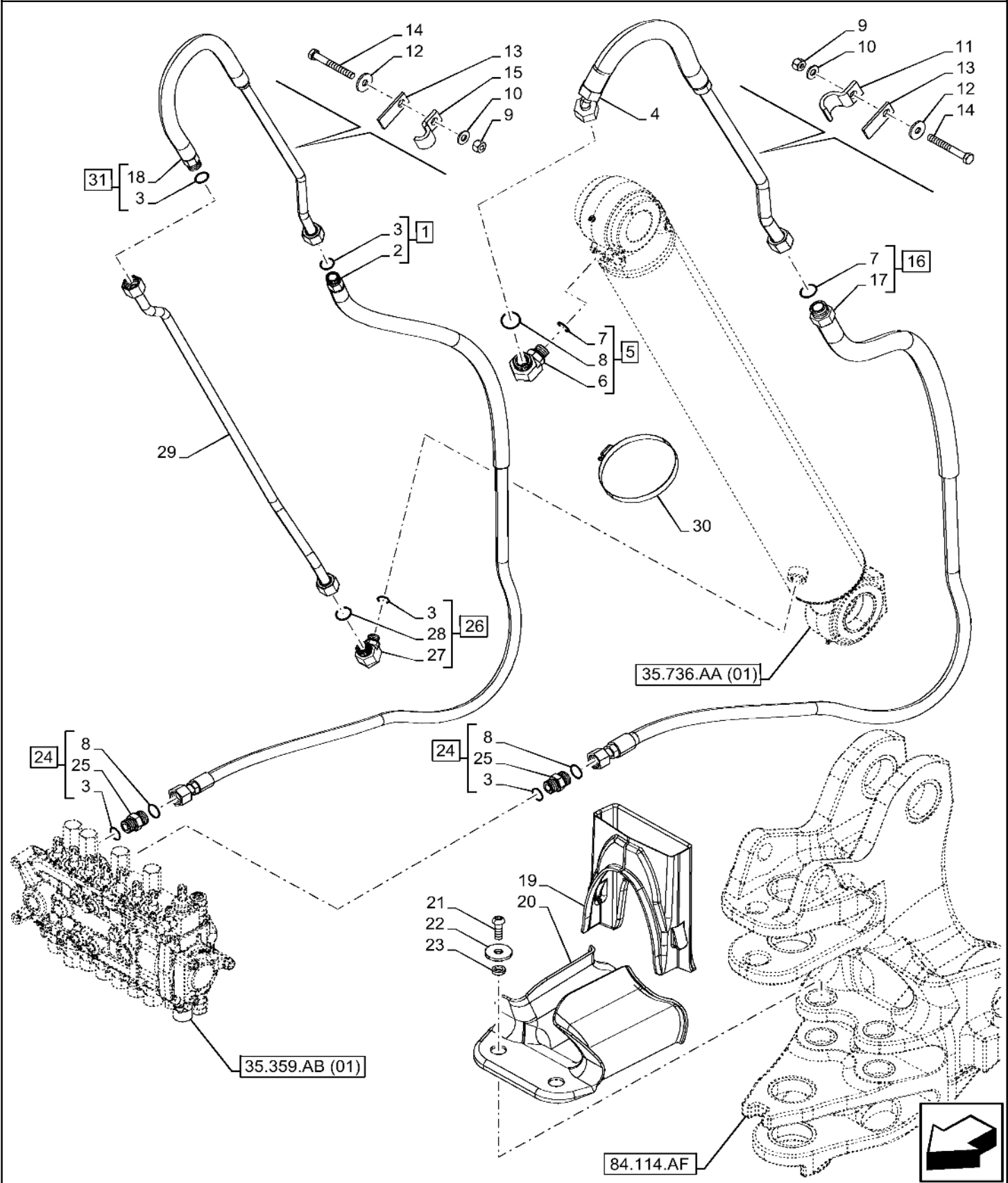


Figure is Valid with Industrial Var. 27BD00224, 28BD00224, 29BD00224 only when Var. 442017 Backhoe Hydraulic Coupler or Var. 423049 Tool Coupler is Equipped.

BACKHOE BOOM CYL. SECTION, LINE



35.738.AE

03

p2

2/2020

VAR - 423076 - BACKHOE BUCKET, EXTENDABLE DIPPER, CYLINDER LINES

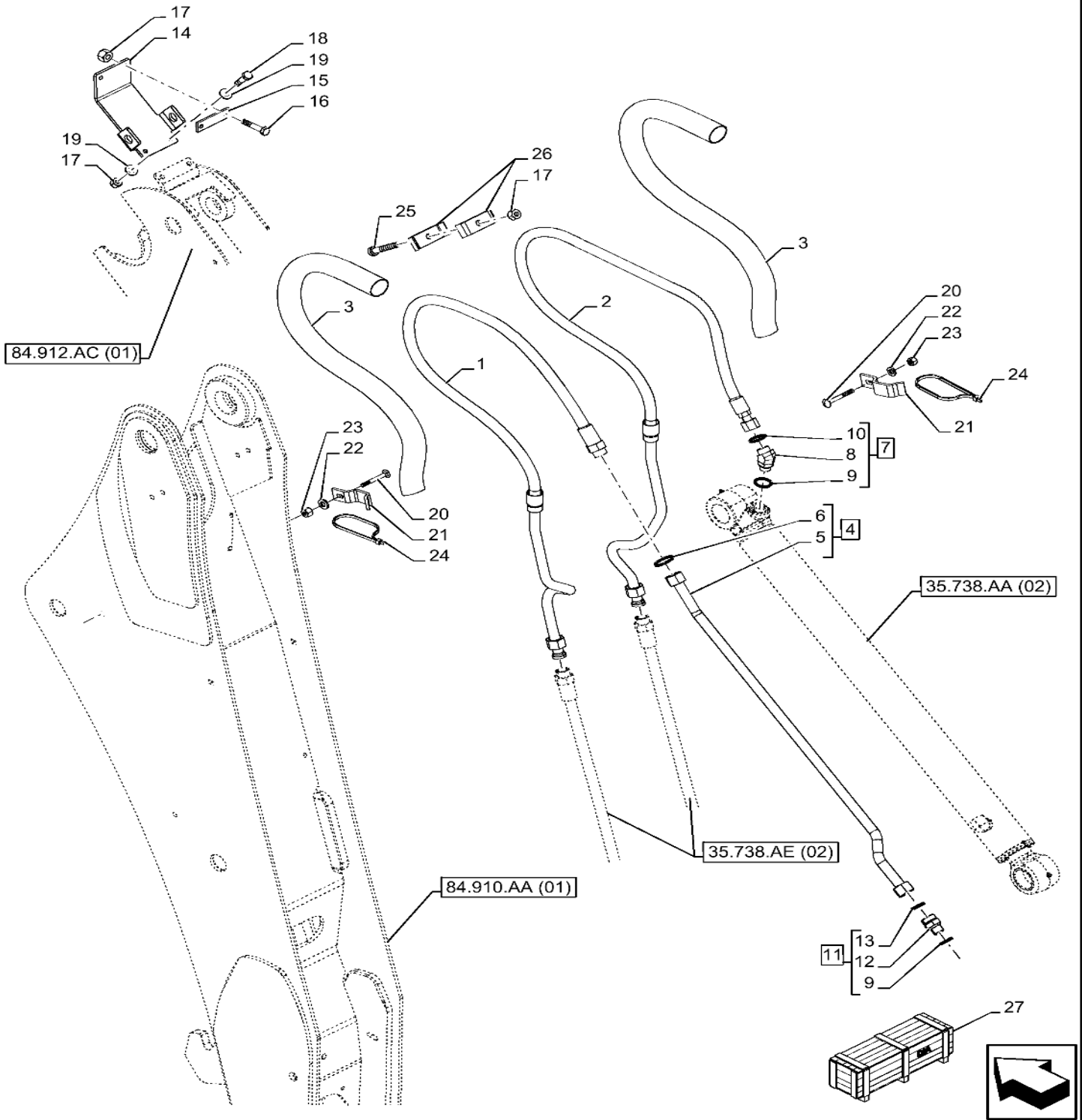


Figure is Valid with Industrial Var. 423076

35.740.AC

01

p2

2/2020

VAR - 423076 - EXTENDABLE DIPPER, CYLINDER, LINE

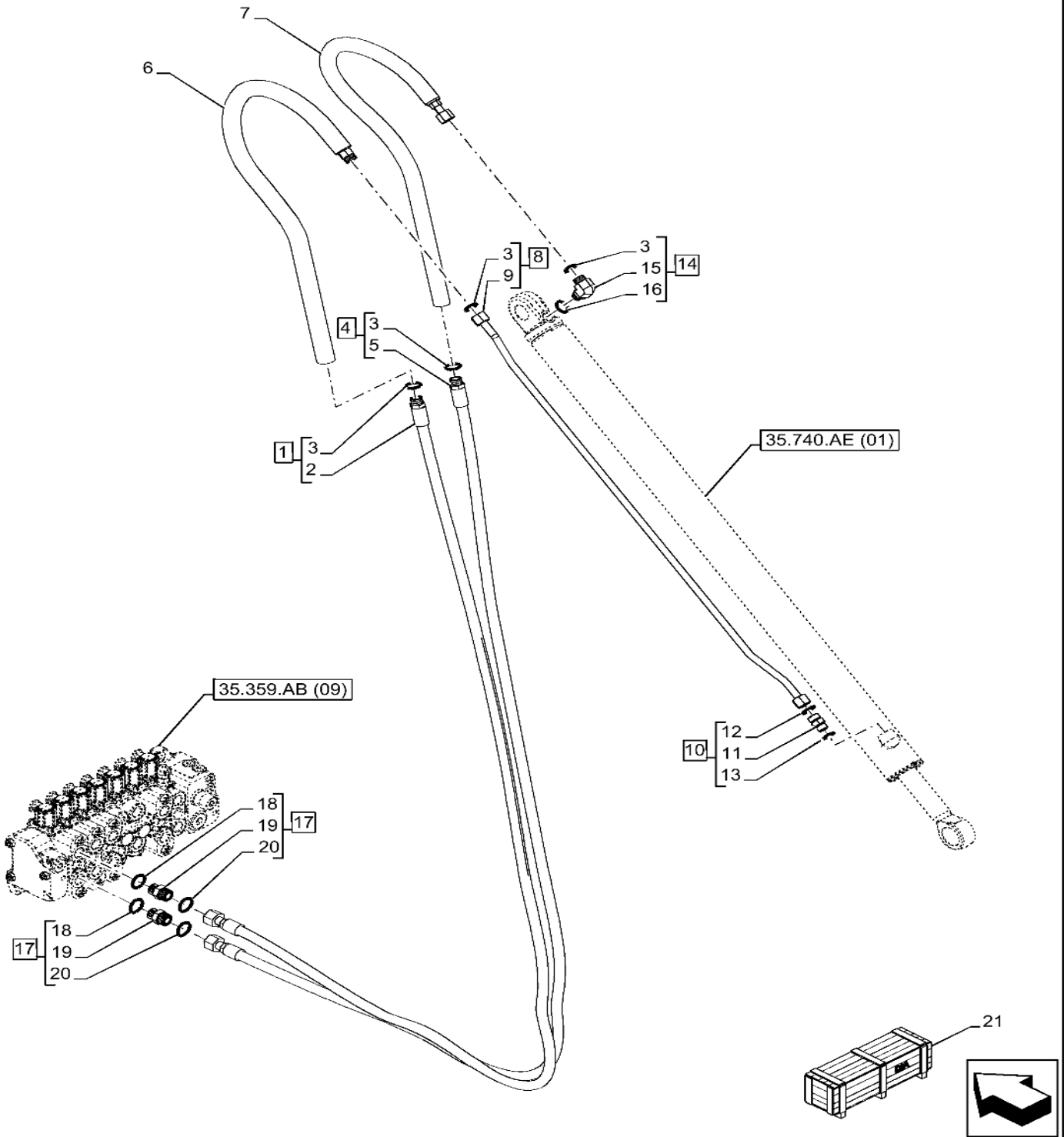


Figure is Valid with Industrial Var. 423076

39.129.AE

03

p1

2/2020

VAR - 442057 - CEMETERY STABILIZER PAD

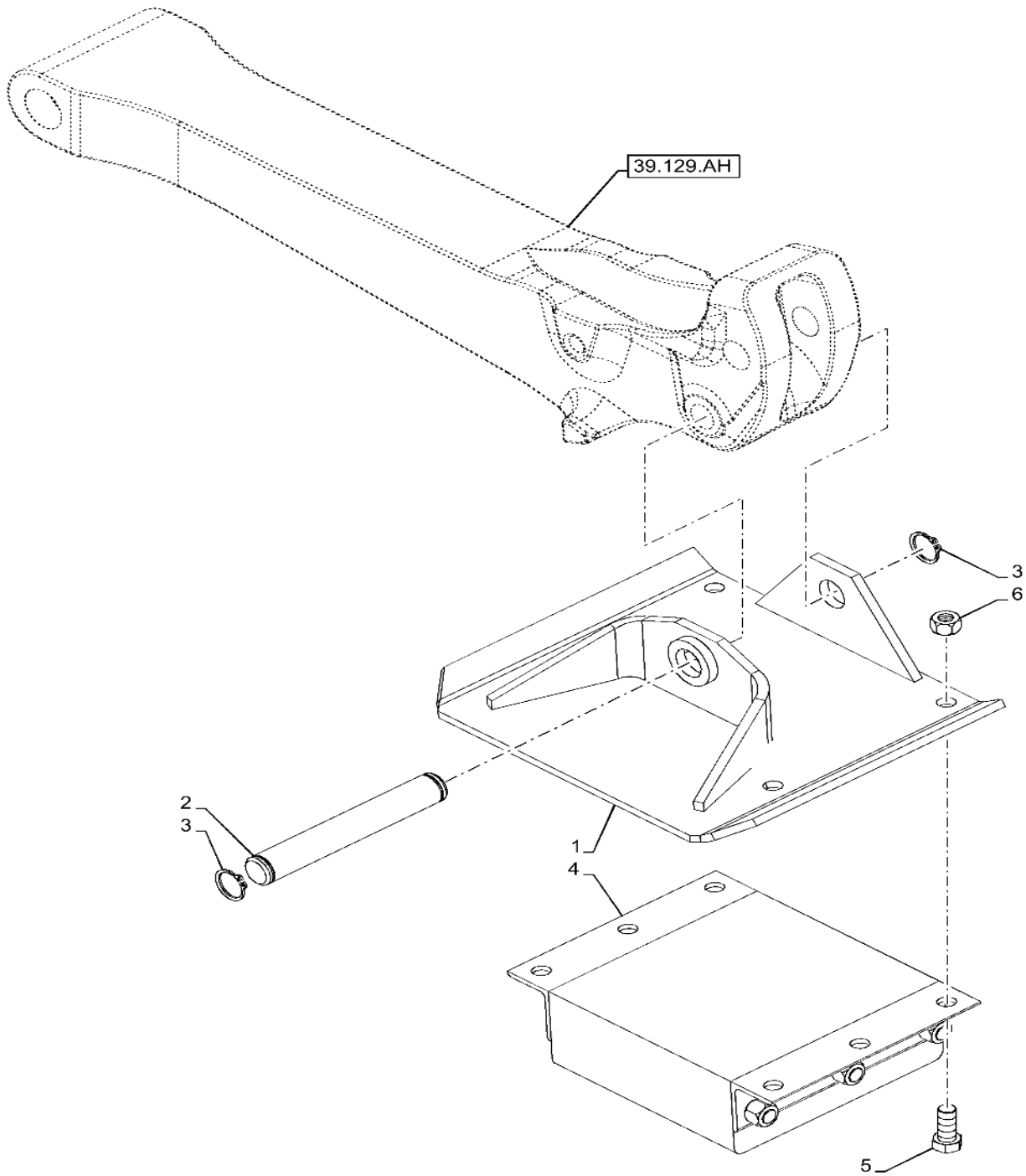


Figure is Valid with Industrial Var. 442057

CLICK HERE TO **DOWNLOAD** THE COMPLETE MANUAL

- Thank you very much for reading the preview of the manual.
- You can download the complete manual from: www.heydownloads.com by clicking the link below



- Please note: If there is no response to **CLICKING** the link, please download this PDF first and then click on it.

CLICK HERE TO **DOWNLOAD** THE COMPLETE MANUAL

SECTION INDEX

WHEELS

44.000.00	01	SECTION INDEX - WHEELS 4WD
44.000.00	02	SECTION INDEX - WHEELS 2WD
44.511.AE		VAR - 9200010, 423046 - WHEEL, FRONT 14.5/75 X 16.1 - 2WD
44.511.AE		VAR - 9200012, 423017 - WHEEL, FRONT 14 X 17.5 10PR - 4WD
44.520.AB		VAR - 423018, 8392564 - WHEEL, REAR 21L X 24, 10PR

VAR - 747853, 747854, 747855 - CAB, HEATER, VALVE

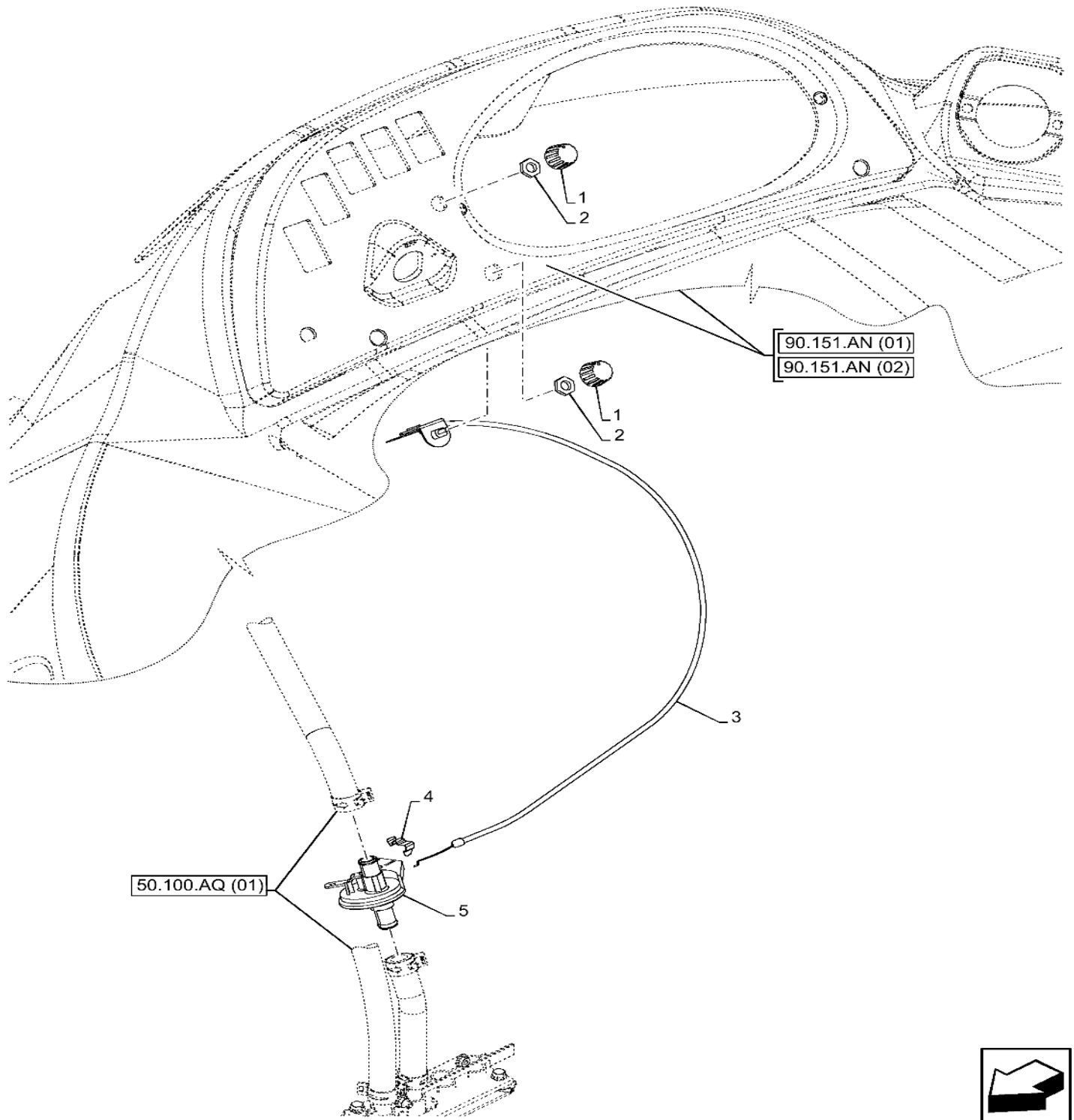


Figure is Valid with Industrial Var. 747853, 747854, 747855

SECTION INDEX

ELECTRICAL SYSTEMS

55.512.CL	02	6-SPOOL, 7-SPOOL, PILOT CONTROLS, RH, JOYSTICK, BUTTON
55.512.CL	03	6-SPOOL, 7-SPOOL, PILOT CONTROLS, RIGHT, LH, JOYSTICK, BUTTON
55.512.CL	04	7-SPOOL, 8-SPOOL, PILOT CONTROLS, LH, JOYSTICK, BUTTON
55.512.CL	05	7-SPOOL, 8-SPOOL, PILOT CONTROLS, RH, JOYSTICK, BUTTON
55.512.CL	06	3-SPOOL, MECHANICAL, LOADER, JOYSTICK MOUNTING
55.512.CL	07	3-SPOOL, MECHANICAL, LOADER, JOYSTICK, COMPONENTS
55.512.CL	08	2-SPOOL, MECHANICAL, LOADER, JOYSTICK MOUNTING
55.512.CL	09	2-SPOOL, MECHANICAL, LOADER, JOYSTICK, COMPONENTS
55.512.CL	10	3-SPOOL, MECHANICAL, LOADER, JOYSTICK MOUNTING
55.512.CL	11	3-SPOOL, MECHANICAL, LOADER, JOYSTICK, COMPONENTS
55.512.CL	12	2-SPOOL, MECHANICAL, LOADER, JOYSTICK MOUNTING
55.512.CL	13	2-SPOOL, MECHANICAL, LOADER, JOYSTICK, COMPONENTS
55.512.CQ		VAR - 747770, 747851 - SEAT, MECHANICAL, SUSPENSION, SWITCH, HARNESS
55.513.AA		VAR - 423060, 423061 - TRANSMISSION, SEMI-POWERSHIFT, SWITCH
55.513.AB		VAR - 423062 - POWERSHIFT TRANSMISSION, AUTO/MANUAL ATC SWITCH
55.513.AV	01	VAR - 423058, 423059 - TRANSMISSION, POWERSHUTTLE, GEAR, SWITCH
55.513.AV	02	VAR - 423062 - TRANSMISSION, POWERSHIFT, GEAR, SWITCH
55.513.AV	03	VAR - 423060,423061 - TRANSMISSION, SEMI-POWERSHIFT, GEAR, SWITCH
55.514.AA	01	VAR - 442083 - CAB, INTERIOR LIGHT
55.514.AA	02	VAR - 442083 - CAB, INTERIOR LIGHT
55.514.AV		VAR - 747853, 747854, 747855 - CAB, WIDE, DOOR SWITCH
55.514.AZ		CONSOLE, LIGHT
55.518.AB		VAR - 747853, 747854, 747855 - CAB, WINDSHIELD WASHER , TUBE
55.518.AH		VAR - 747853, 747854, 747855 - CAB, WIDE, REAR WIPER, ARM, BLADE
55.518.AI		VAR - 747853, 747854, 747855 - CAB, WIDE, REAR WIPER MOTOR
55.518.AP	01	VAR - 747853, 747854, 747855 - CAB, WINDSHIELD WASH RESERVOIR
55.518.AP	02	VAR - 423000 - DELUXE, CANOPY, WINDSHIELD WASH RESERVOIR
55.518.AW	01	VAR - 423000 - CANOPY, WINDSHIELD WIPER, ARM, BLADE
55.518.AW	02	VAR - 423000, 442082 - CANOPY, WINDSHIELD WIPER, ARM, BLADE
55.518.AW	03	VAR - 747853, 747854, 747855 - CAB, WIDE, WINDSHIELD WIPER, ARM, BLADE
55.518.AY	01	VAR - 423000 - DELUXE, CANOPY, WIPER, SWITCH
55.518.AY	02	VAR - 747853, 747854, 747855 - CAB, WIDE, REAR WIPER, STOP SWITCH
55.518.AY	03	VAR - 747853, 747854, 747855 - CAB, SWITCH, ROCKER

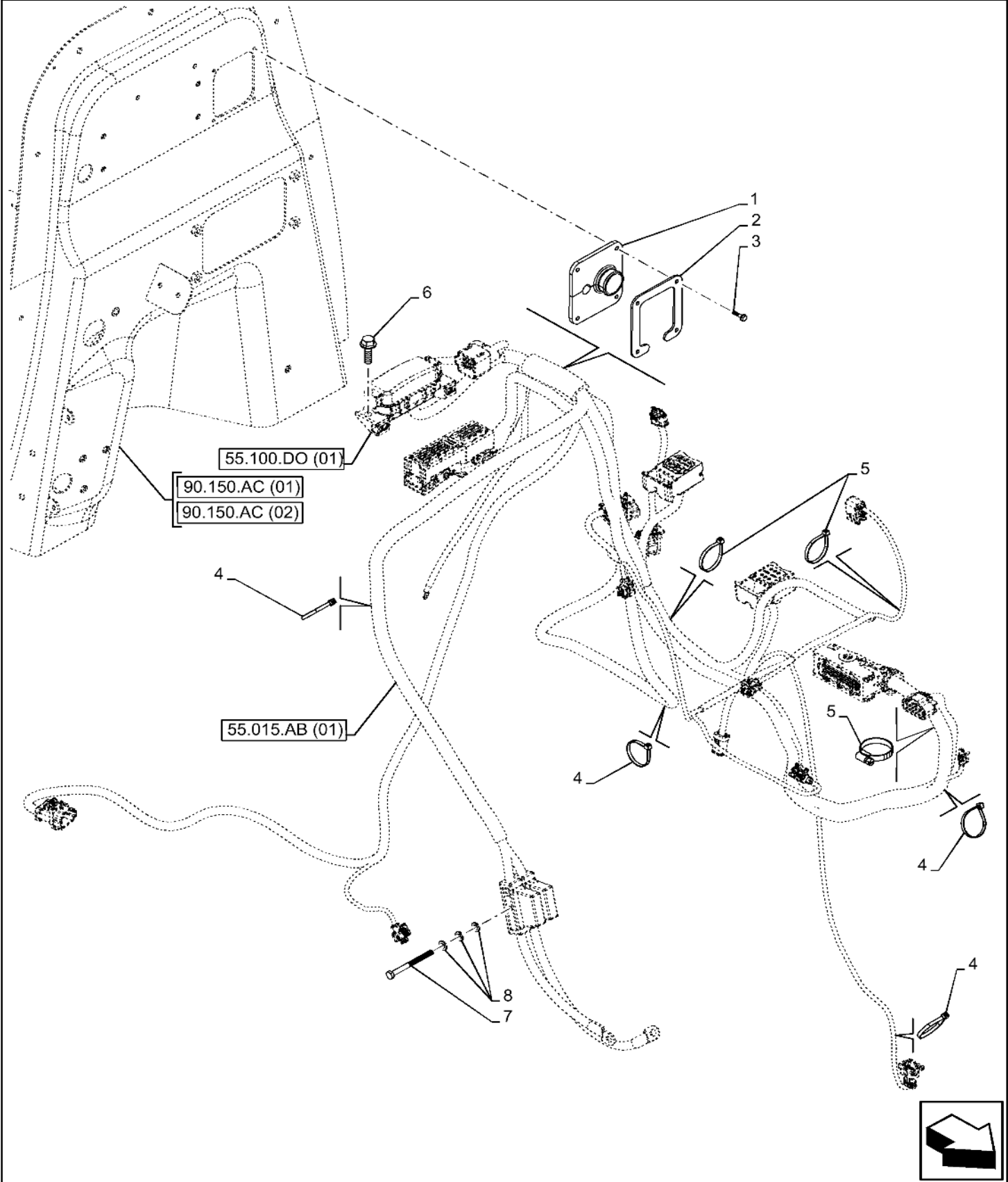
55.015.AB

02

p1

2/2020

ENGINE, WIRE HARNESS



55.024.AE

01

p1

2/2020

VAR - 423062 - TRANSMISSION, POWERSHIFT, ELECTRONIC CONTROLS, MODULE

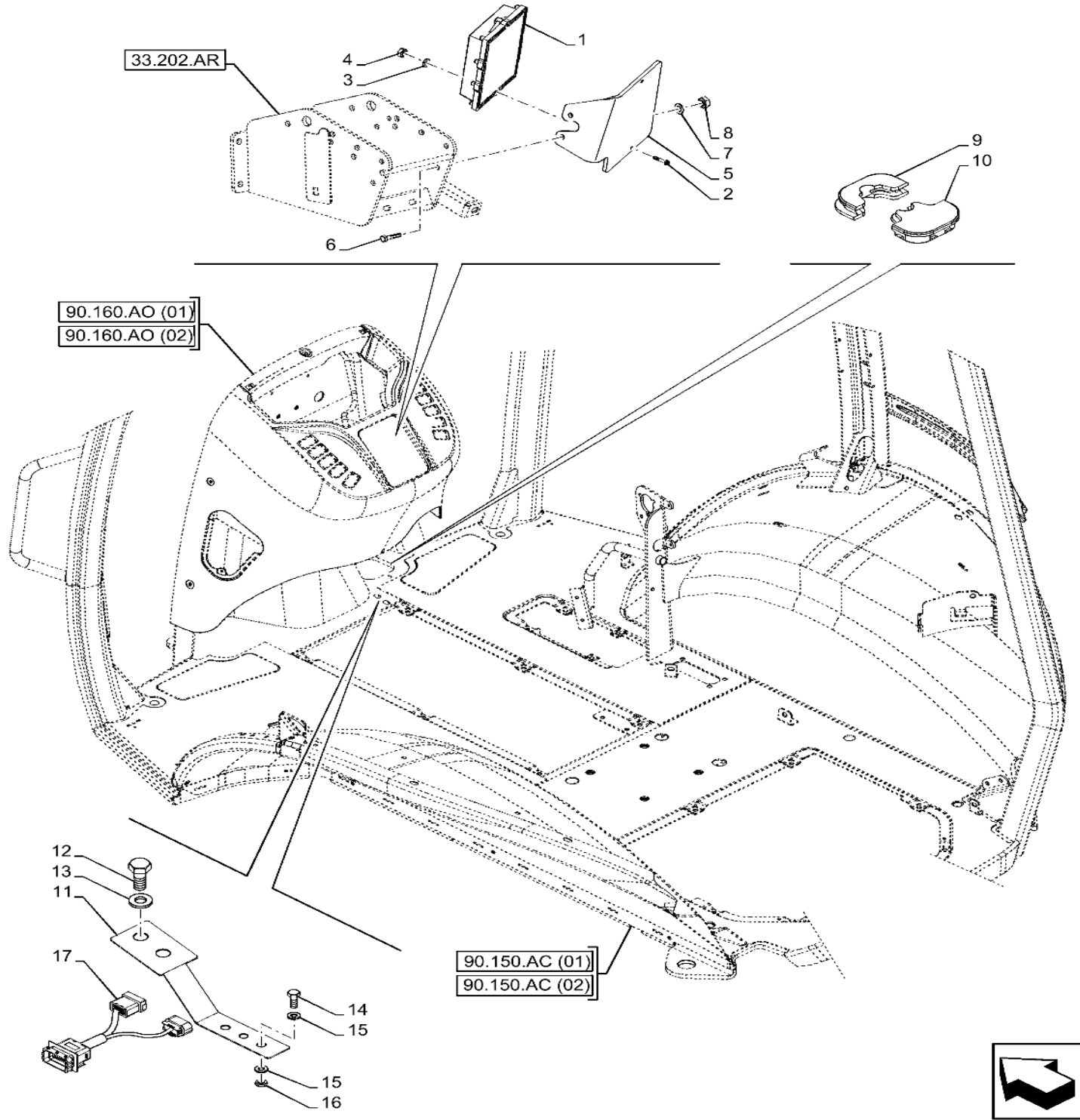


Figure is Valid with Industrial Var. 423062

55.036.AO

04

p1

2/2020

VAR - 423083 - CONTROL VALVE, SOLENOID

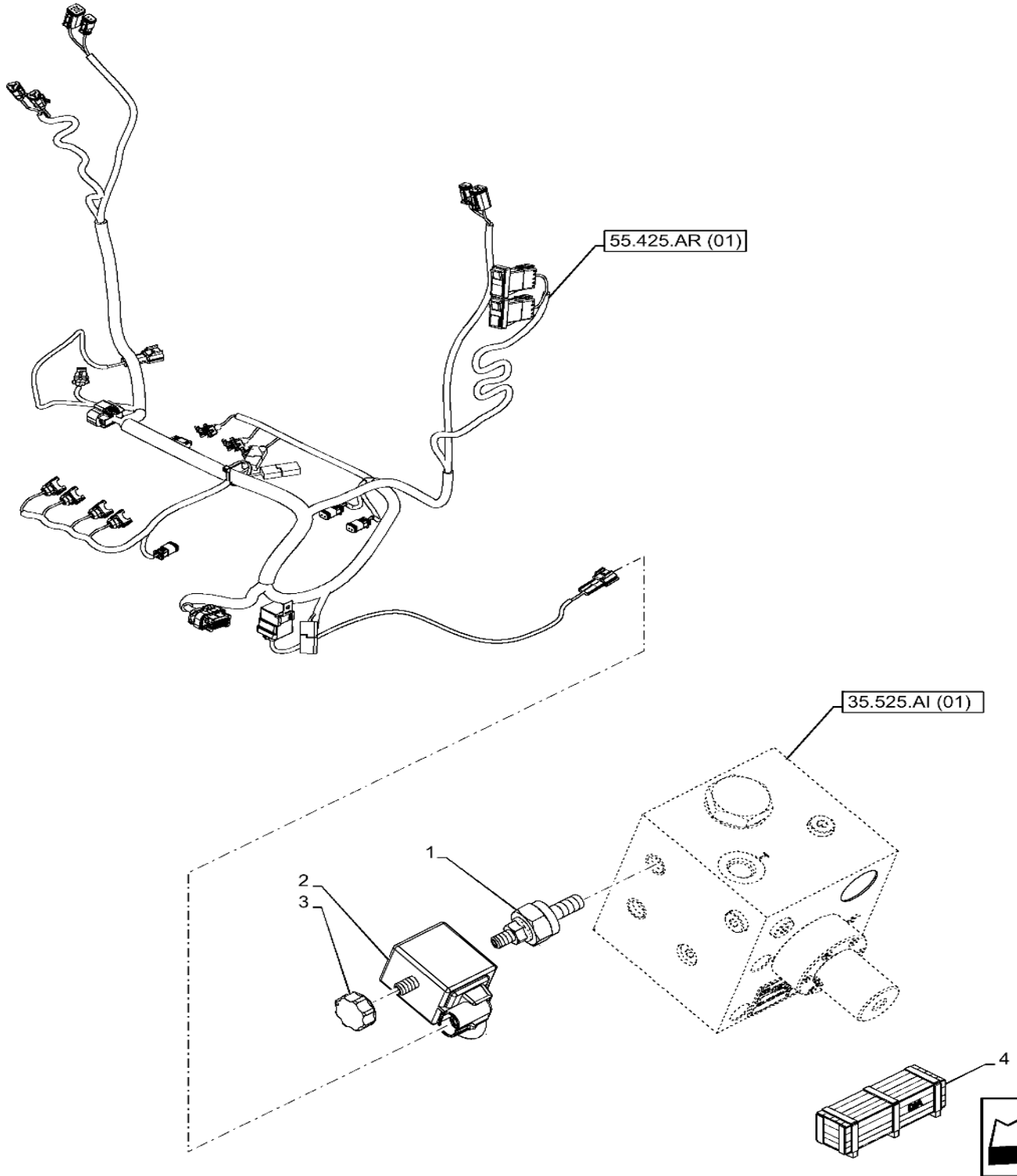


Figure is Valid with Industrial Var. 423083

55.100.AF

02

p1

2/2020

BACKHOE ARM, QUICK COUPLER, JUMPER

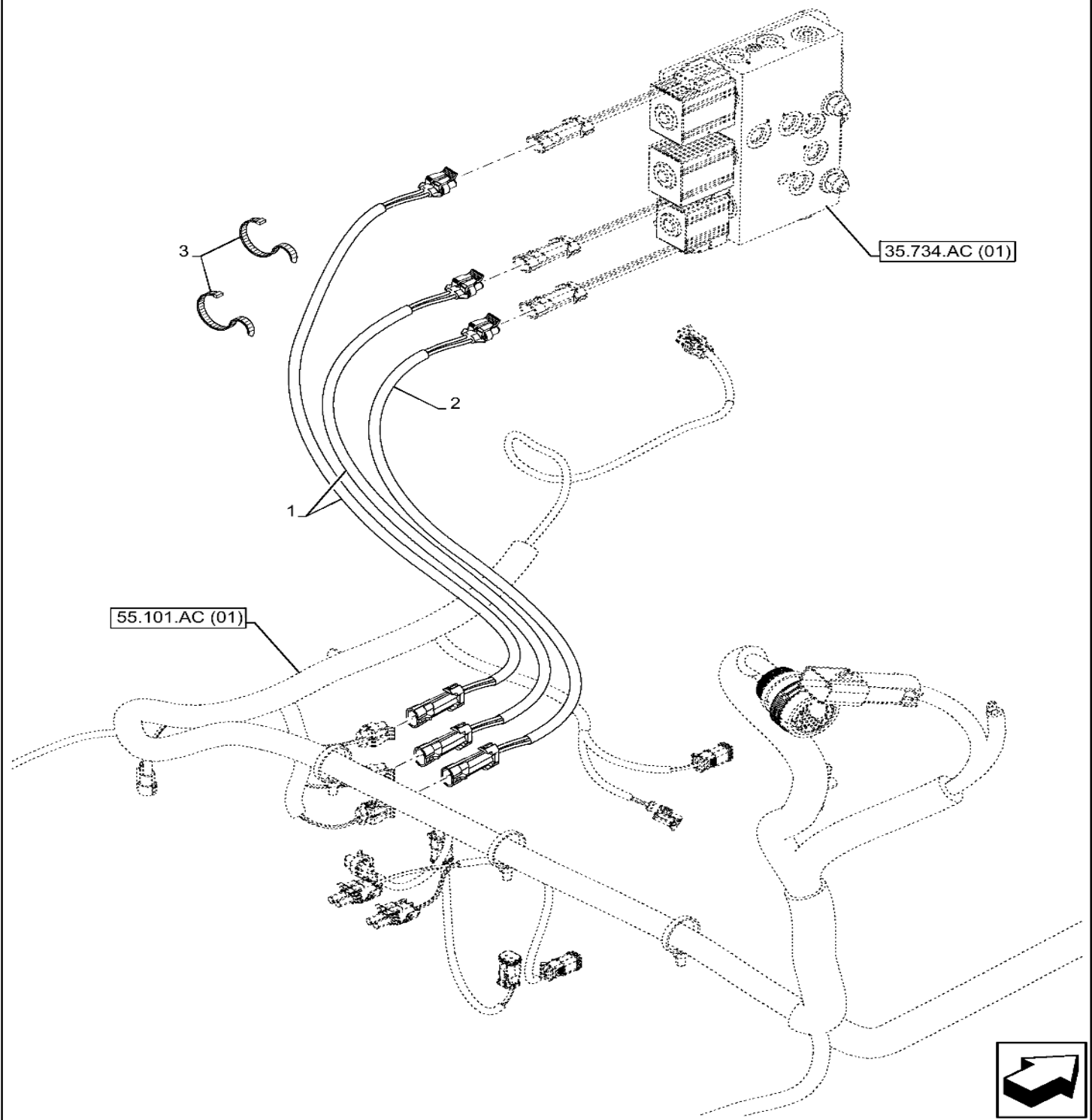


Figure is Valid with Industrial Var. 442017 Coupler, Hydraulic Backhoe Bucket only when Var. 423049 Tool Coupler - Hydraulic is Equipped.

VAR - 423060, 423061, 423062 - FRAME, HARNESS

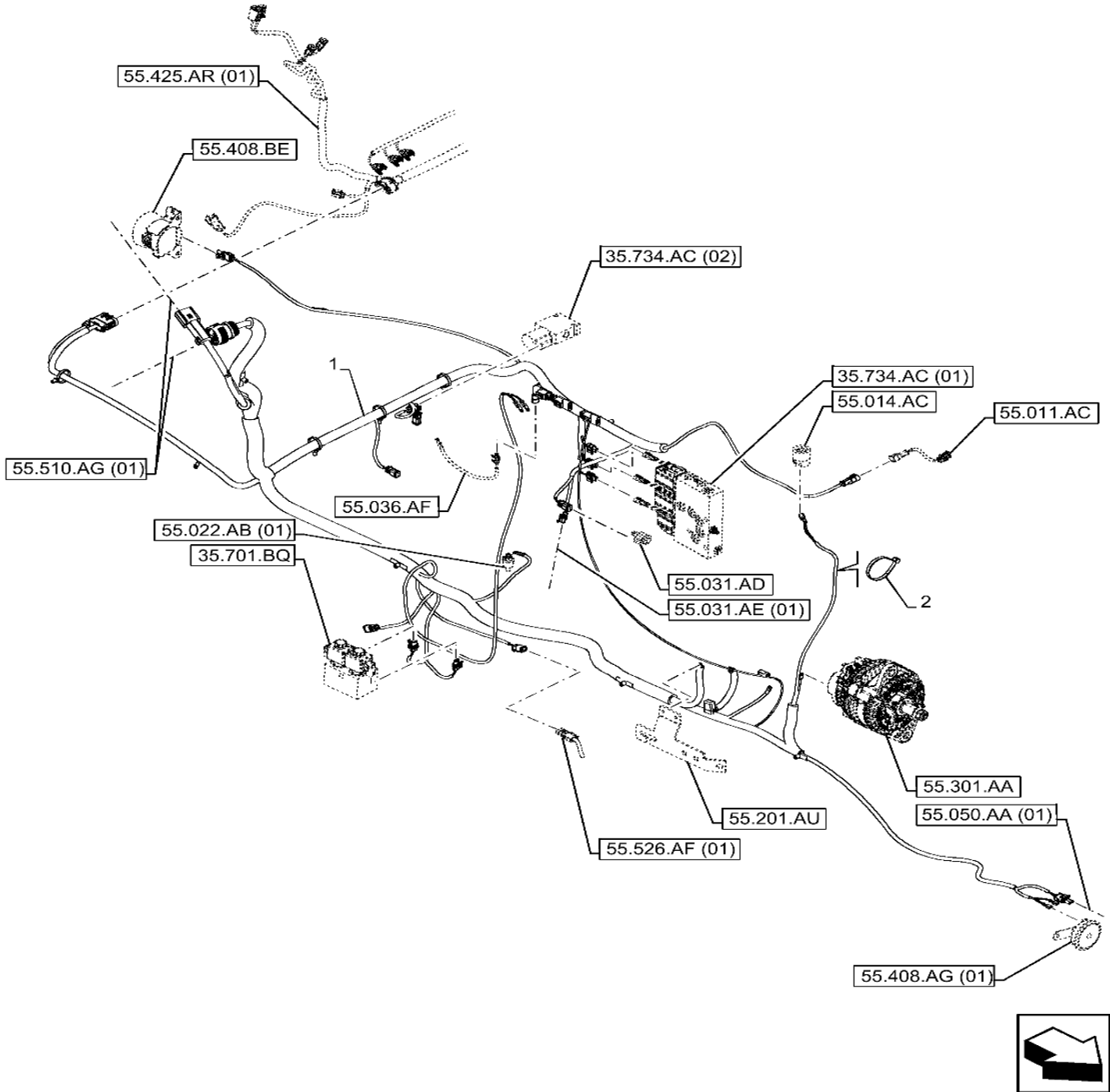


Figure is Valid with Industrial Var. 423060, 423061, 423062

55.302.AV

01

p1

2/2020

POS BATTERY CABLE

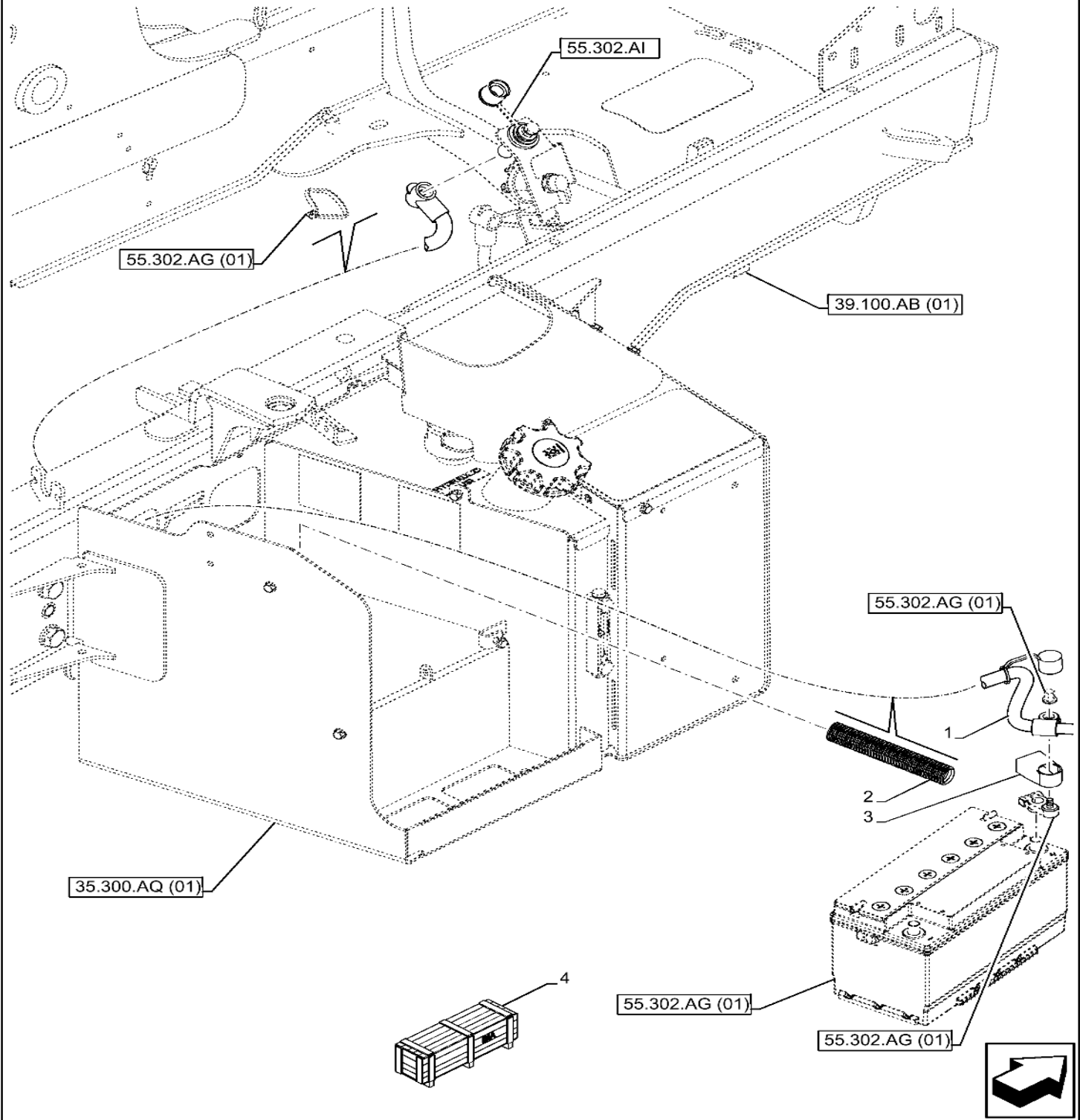


Figure is Valid with Option X02048X

55.405.AX

04

p1

2/2020

VAR - 423060, 423061, 423062 - SEMI-POWERSHIFT, POWERSHIFT TRANSMISSION, INDICATOR LIGHT, SWITCH

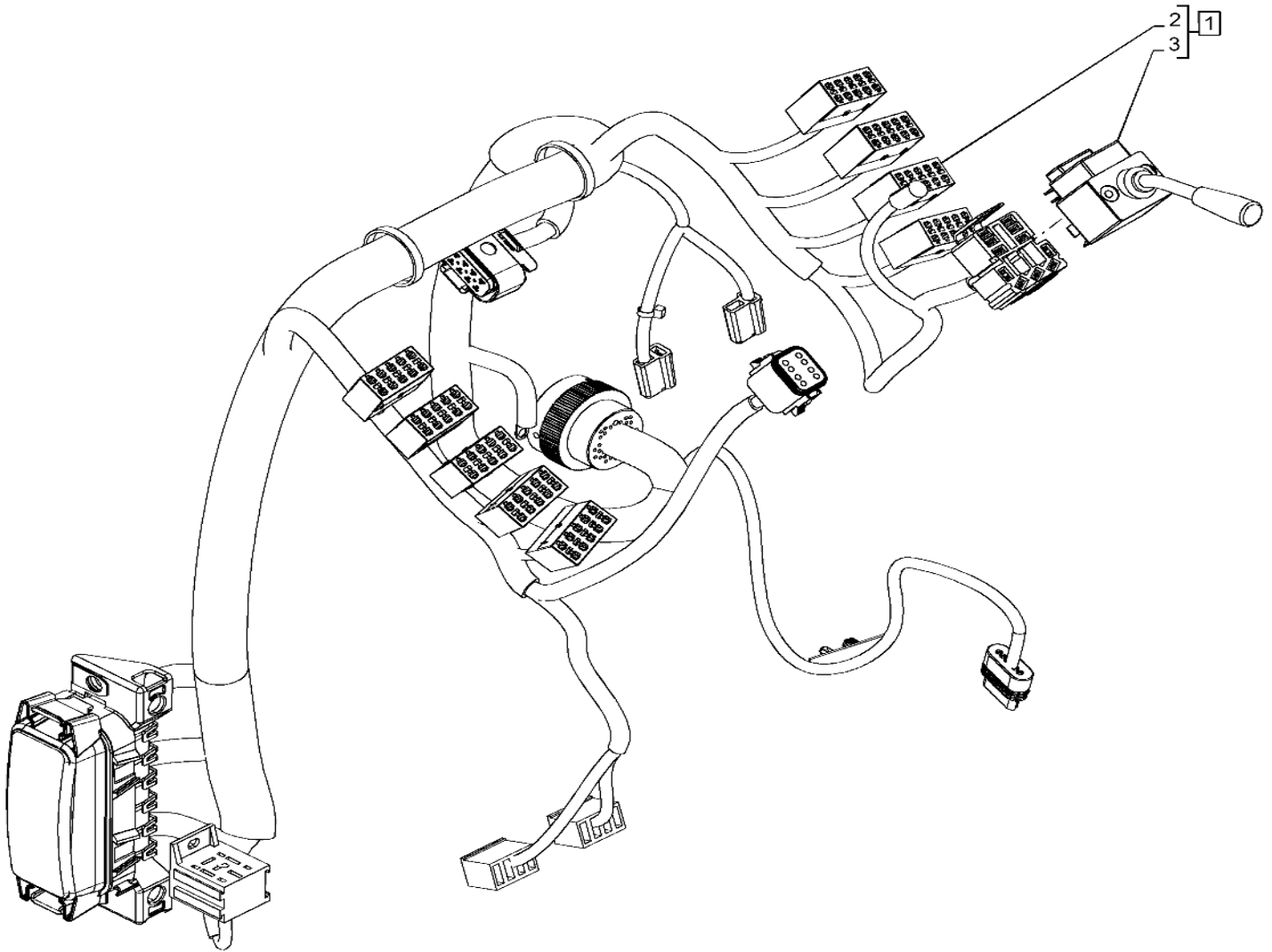


Figure is Valid with Industrial Var. 423060, 423061, 423062

55.425.AQ

02

p1

2/2020

8-SPOOL, AUXILIARY CONTROL VALVE, SENSOR

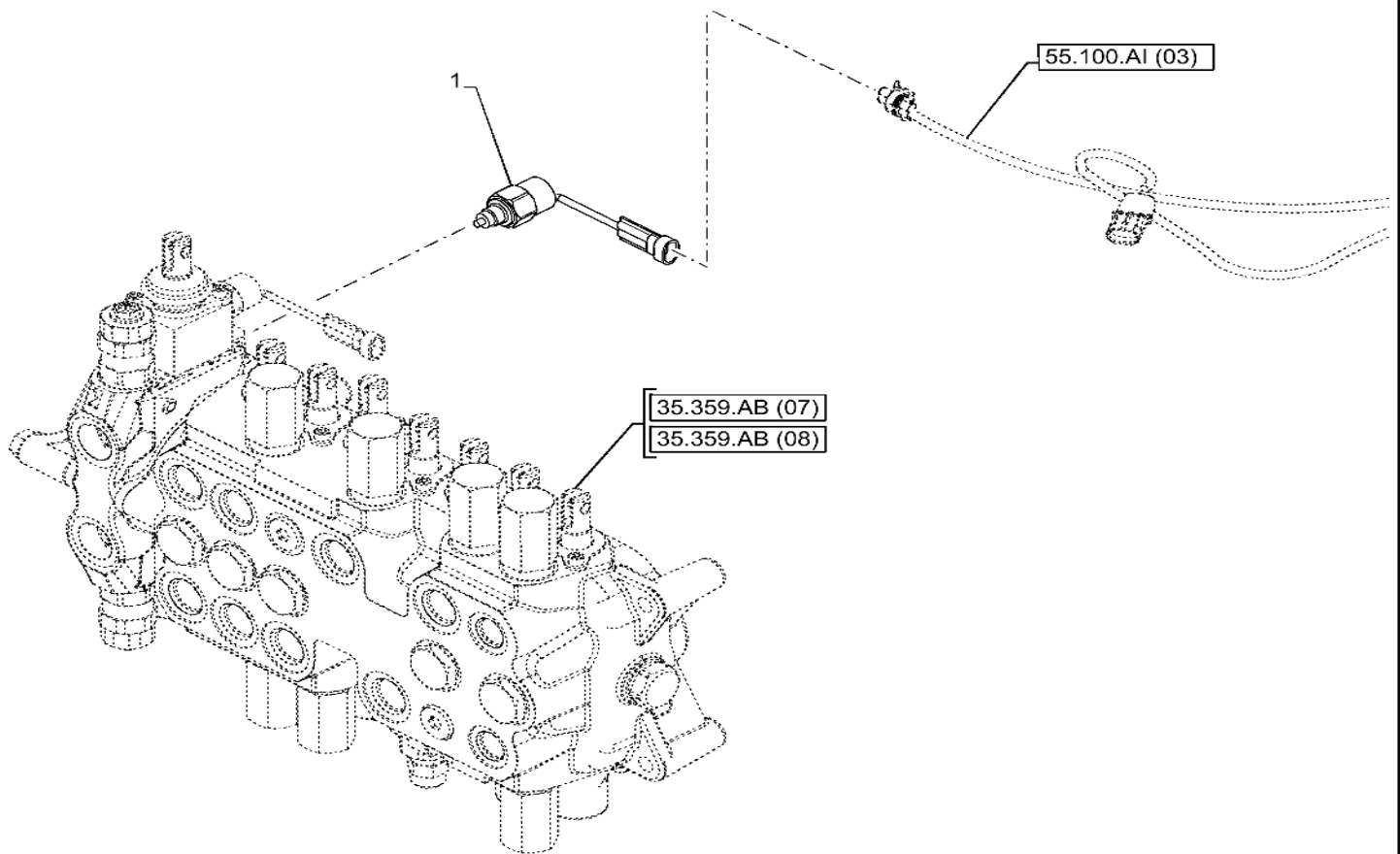


Figure is Valid with Industrial Var. 423076 Extendable Dipper only when Var. 742369 2 Lever Controls or Var. 423083, 423084 Auxiliary Hydraulic, Combo Direct is Equipped.

55.511.AI

01

p1

2/2020

VAR - 423000, 442082 - CANOPY, WORK LIGHT, HARNESS

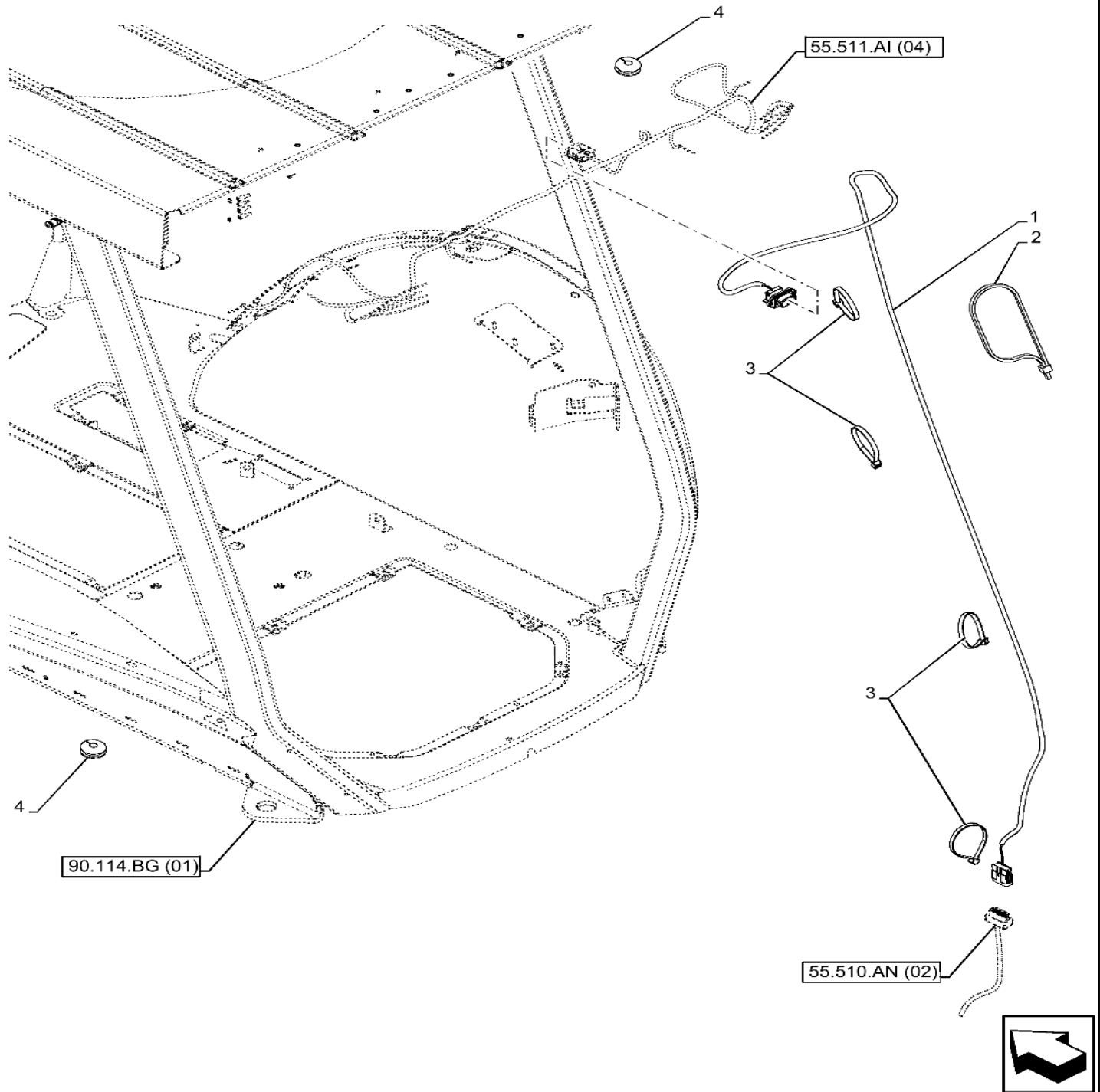


Figure is Valid with Industrial Var. 423000, 442082

55.512.CF

01

p2

2/2020

VAR - 423083, 423084 - OPTIONAL EQUIPMENT, SWITCH

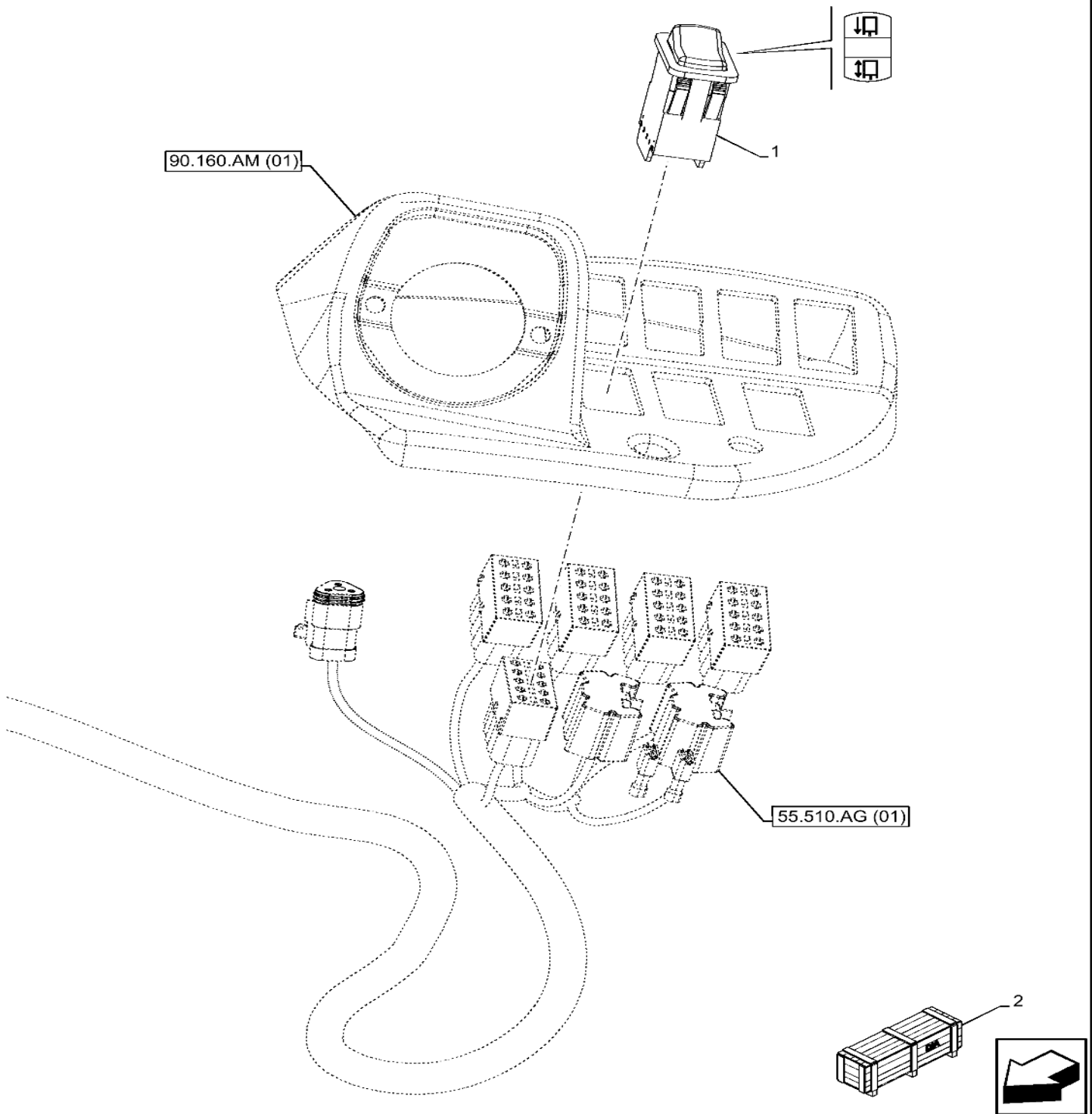


Figure is Valid with Industrial Var. 423083, 423084

55.512.CL

10

p1

2/2020

3-SPOOL, MECHANICAL, LOADER, JOYSTICK MOUNTING

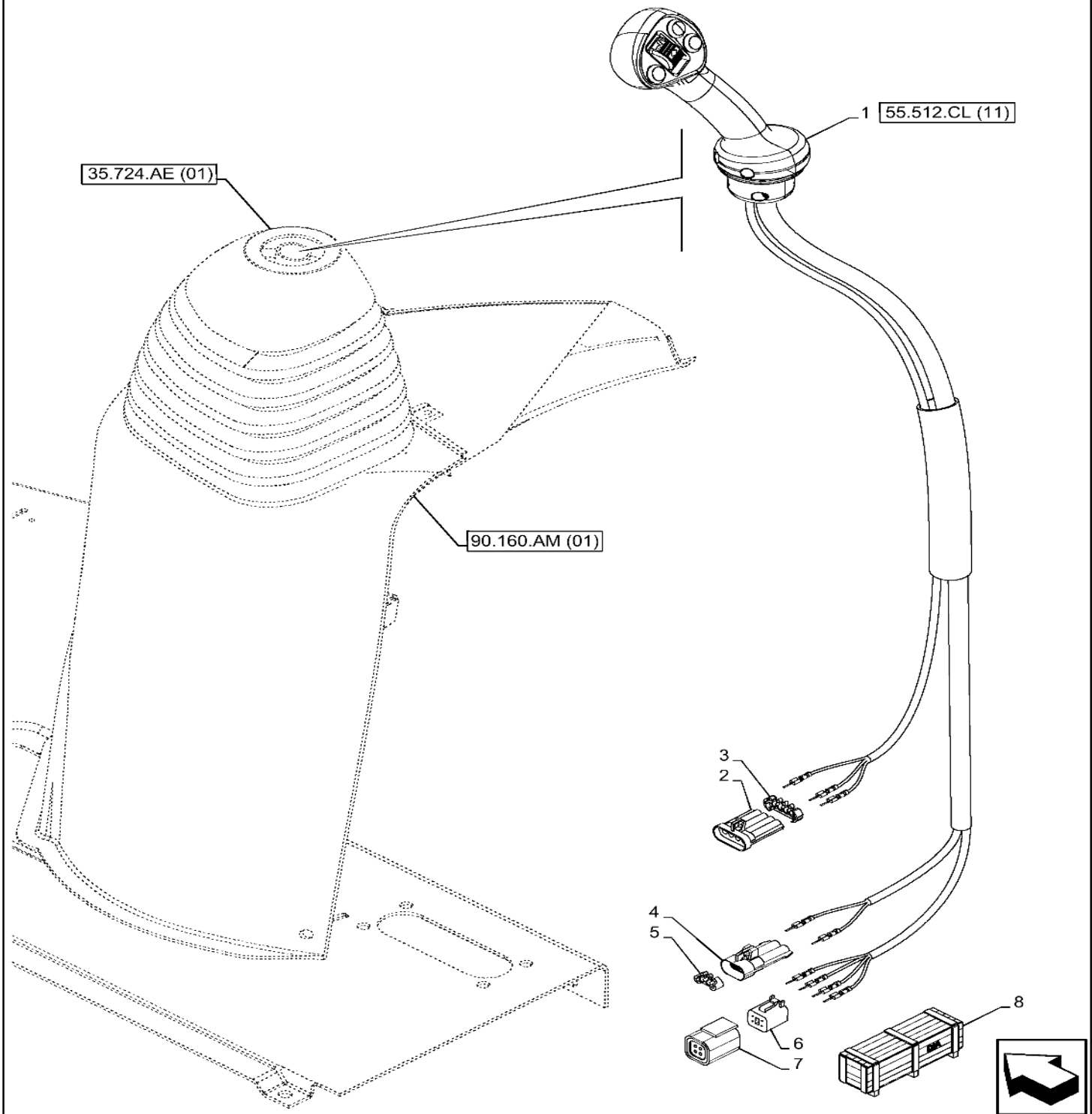
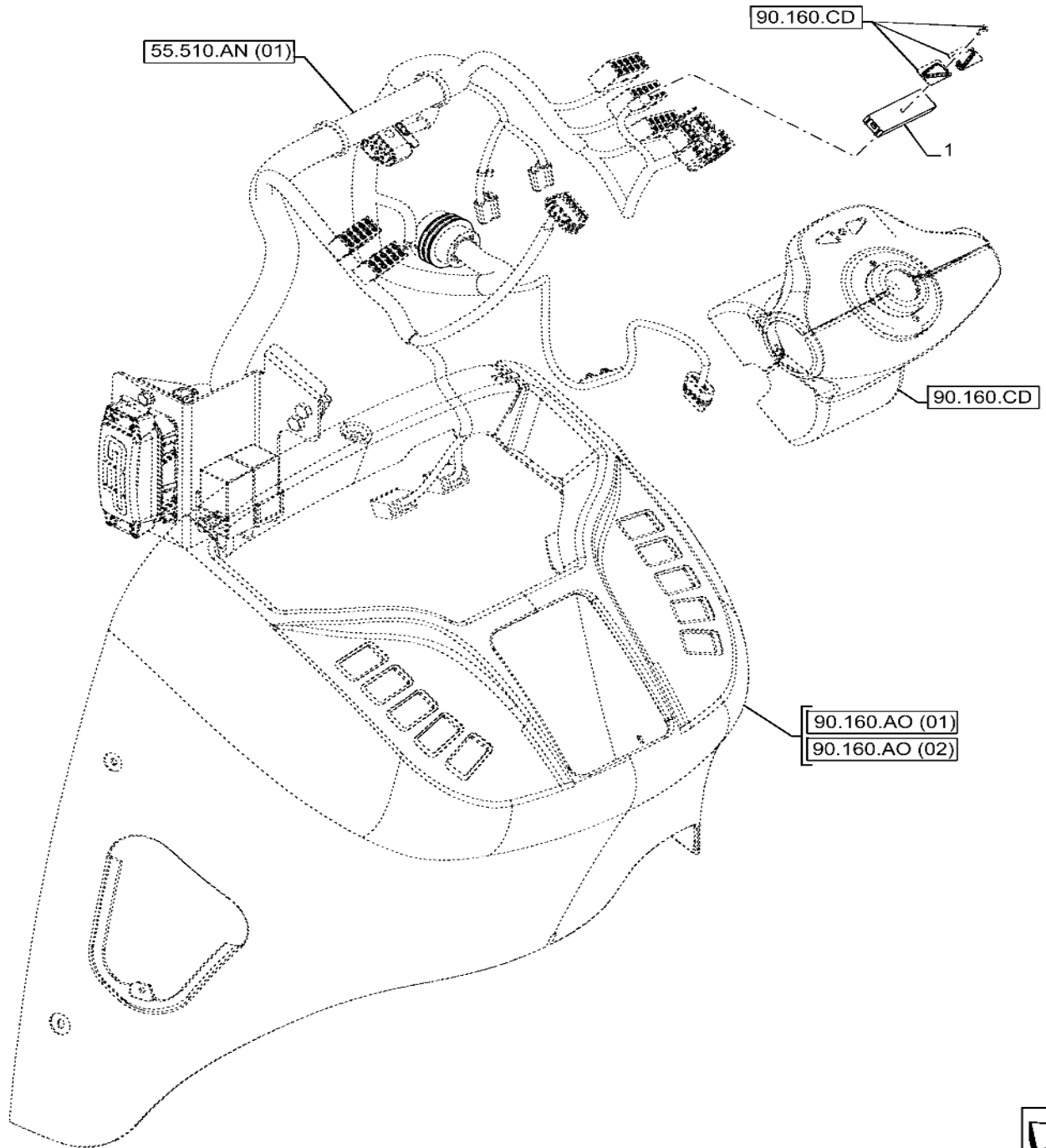


Figure is Valid with Industrial Var. 423060, 423061, 423062 PSP Transmission and Powershift Transmission only when Var. 747776, 747864 3 Spool Valve Hydraulic and Controls or Var. 423049 Tool Coupler - Hydraulic or Var. 423003, 423004 Bucket 93 and 96 or Var.742242 No Loader Bucket or Var. 423079, 747539, 747685, 747863, 742433 Bucket 82 and 93 is Equipped.

CONSOLE, LIGHT



Part Included in Cover ASSY 47605302

55.518.AZ

01

p1

2/2020

VAR - 423000 - CANOPY, FRONT, WIPER MOTOR

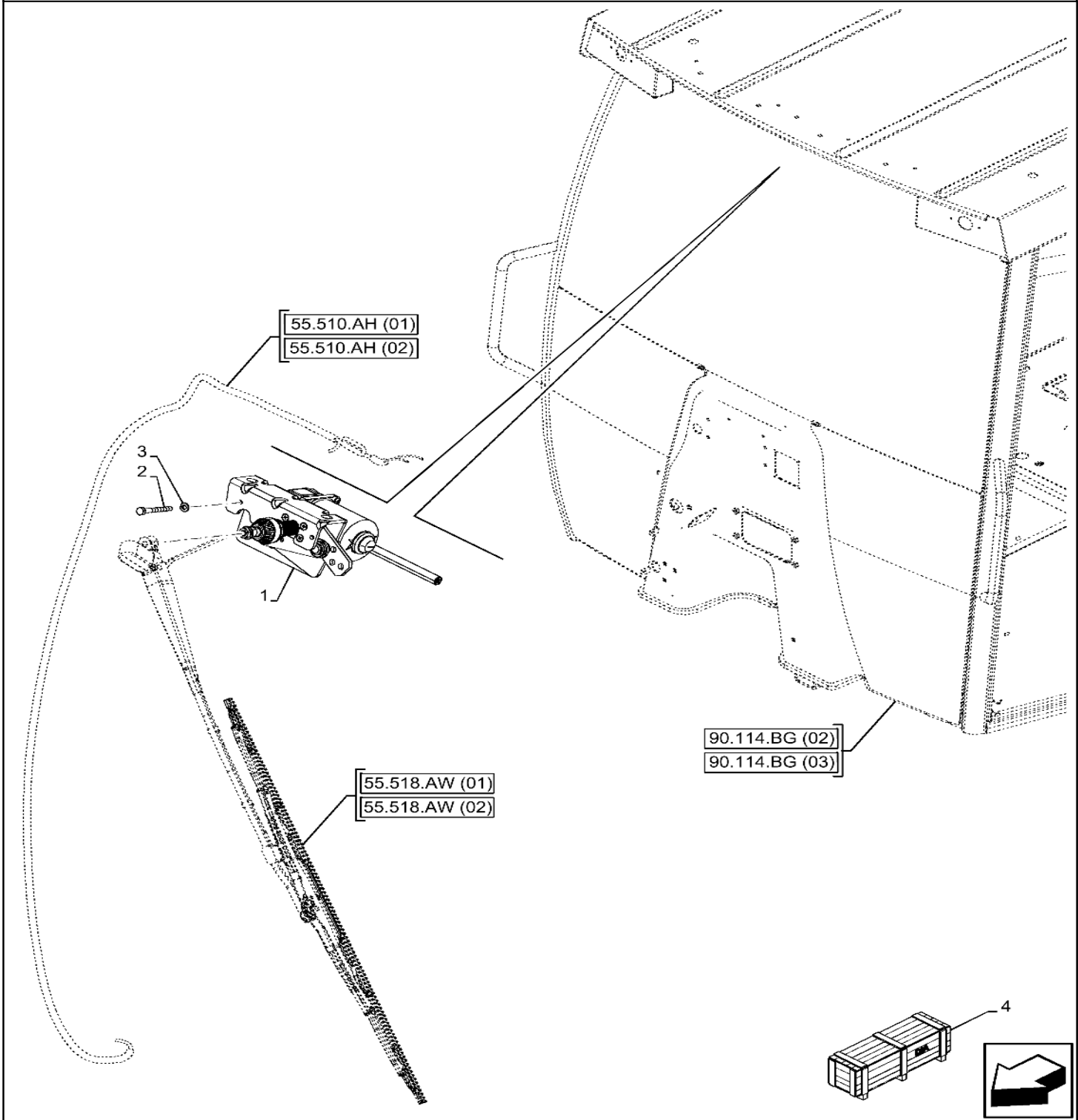


Figure is Valid with Industrial Var. 423000

55.640.AG

01

p1

2/2020

6-SPOOL, 7-SPOOL, PILOT CONTROLS, ELECTRONIC CONTROL UNIT

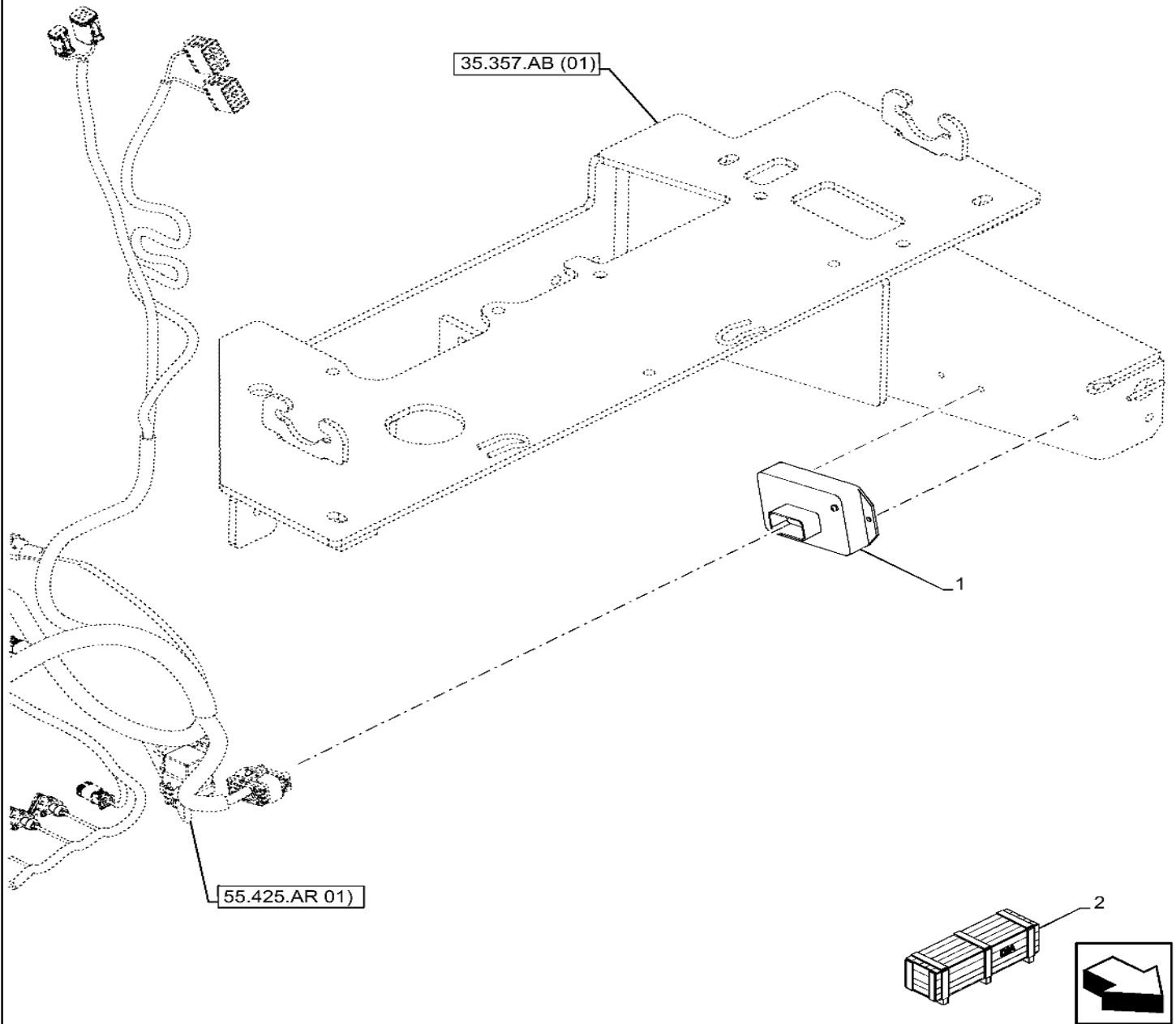


Figure is Valid with Industrial Var. 423075 Standard Dipper or Var. 423076 Extendable Dipper only when Var. 423078 Pilot Controls W/Heavy Lift or Var. 423083 Auxiliary Hydraulics, Combo Direct - Manual Controls or Var. 747661 Auxiliary Hydraulics/Uni-Direct No Pilot Control or Var. 747662 Auxiliary Hydraulics/Uni-Direct for Pilot Control or Var. X20036X no Backhoe Auxiliary Hydraulics is Equipped.

55.991.AA

01

p1

2/2020

VAR - 745121 - CANOPY, TELEMATIC SYSTEM, CONTROL UNIT

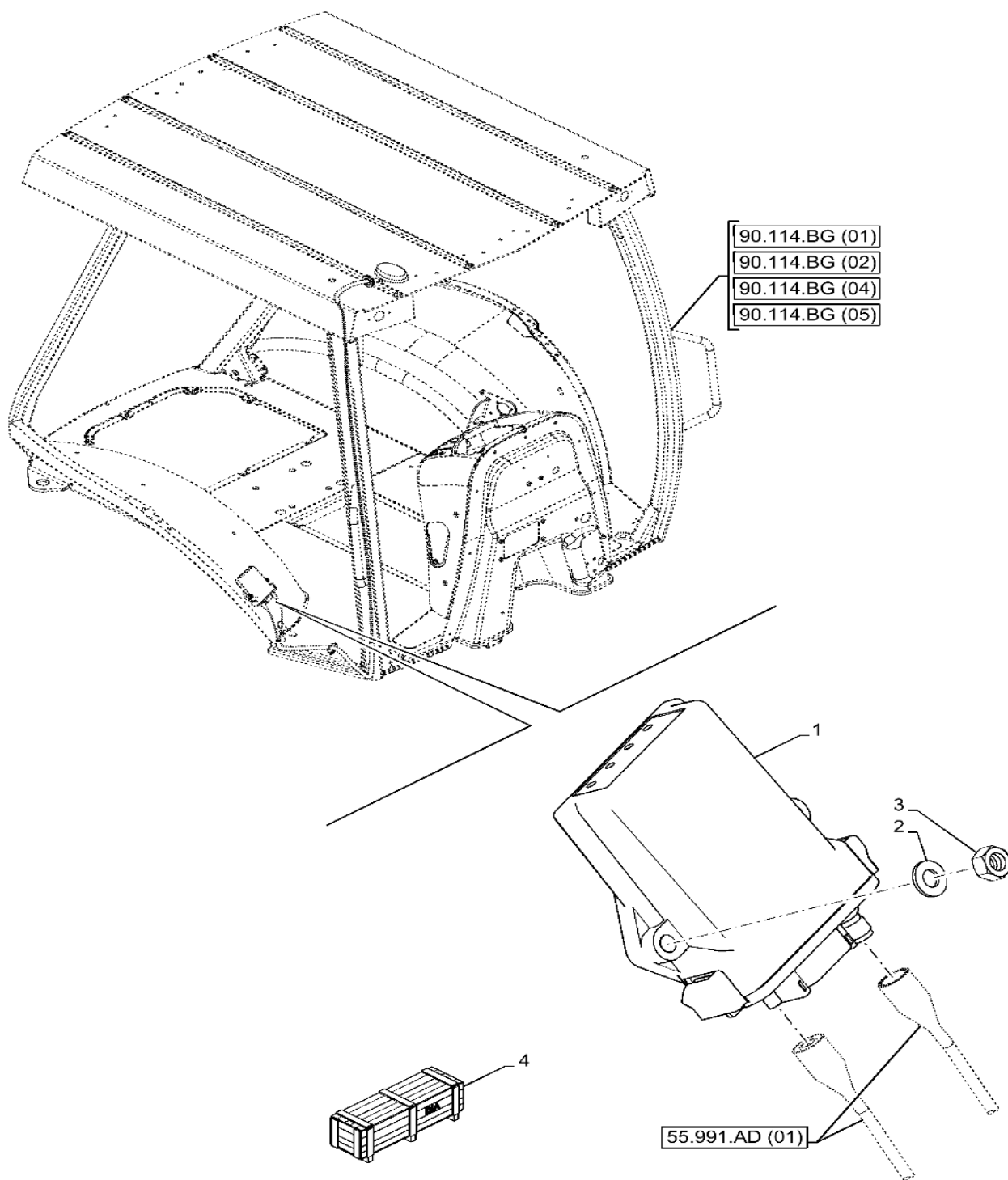


Figure is Valid with Industrial Var. 745121

82.300.AN

01

p1

2/2020

VAR - 423003 - BUCKET, 1.25 YD - 93INCH/2362MM LL

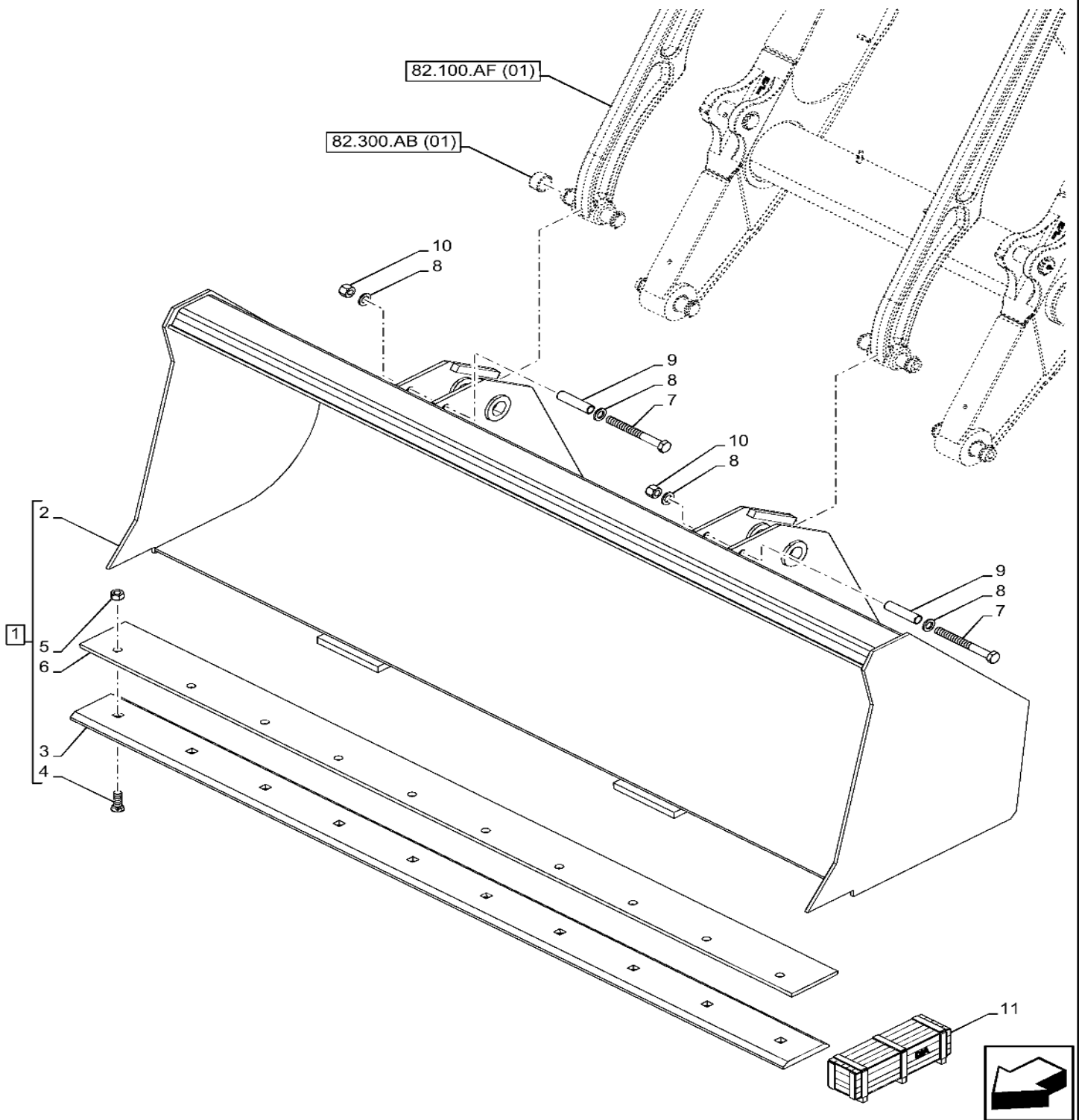


Figure is Valid with Industrial Var. 423003

84.100.AB

06

p1

2/2020

VAR - 423072 - BUCKET, HIGH CAPACITY 24INCH/610MM

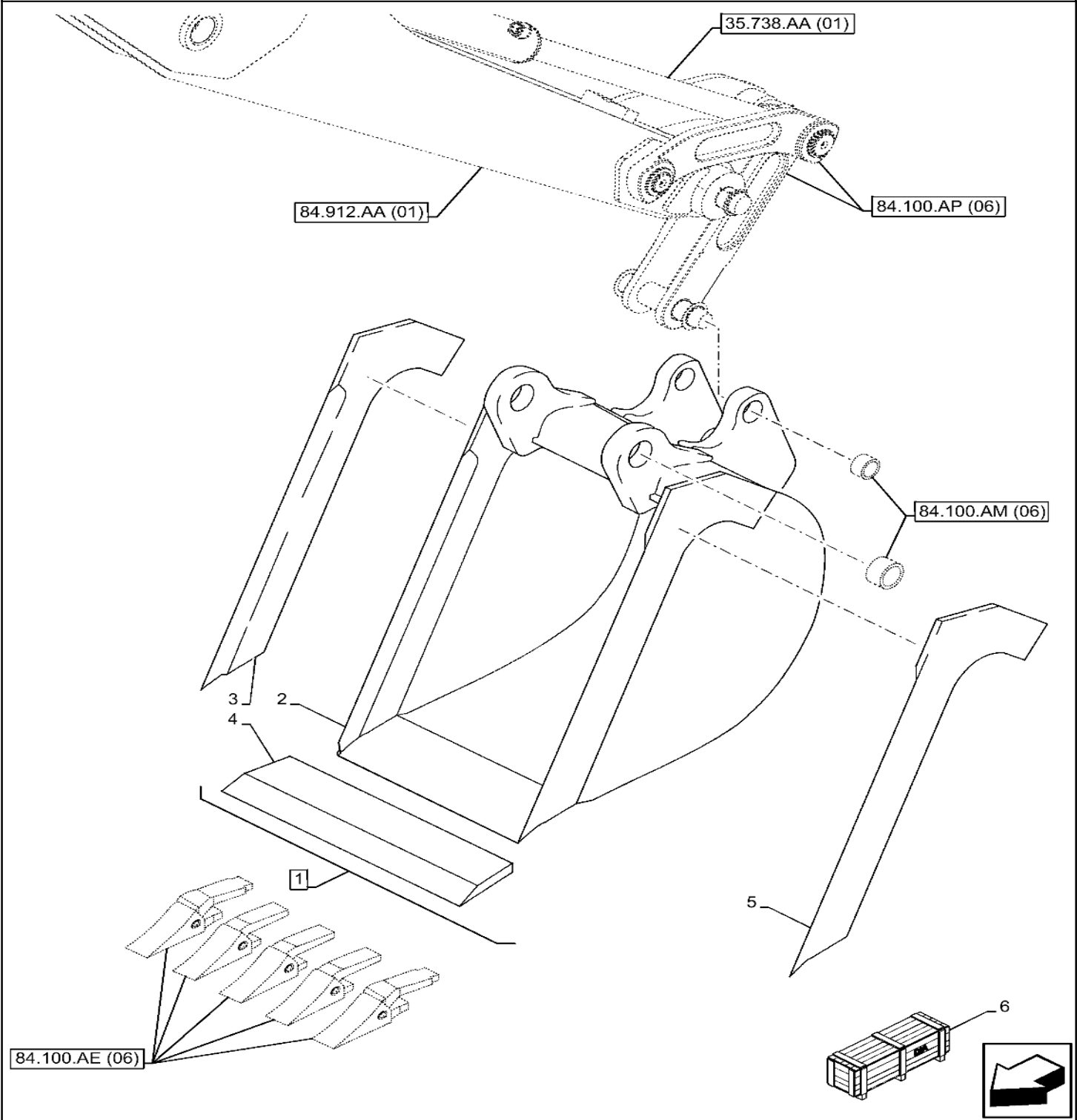


Figure is Valid with Industrial Var. 423072

84.100.AM

05

p1

2/2020

VAR - 423071 - BUCKET, UNIVERSAL 36INCH/914MM, BUSHING

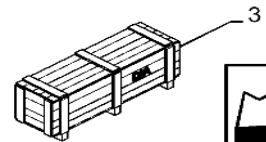
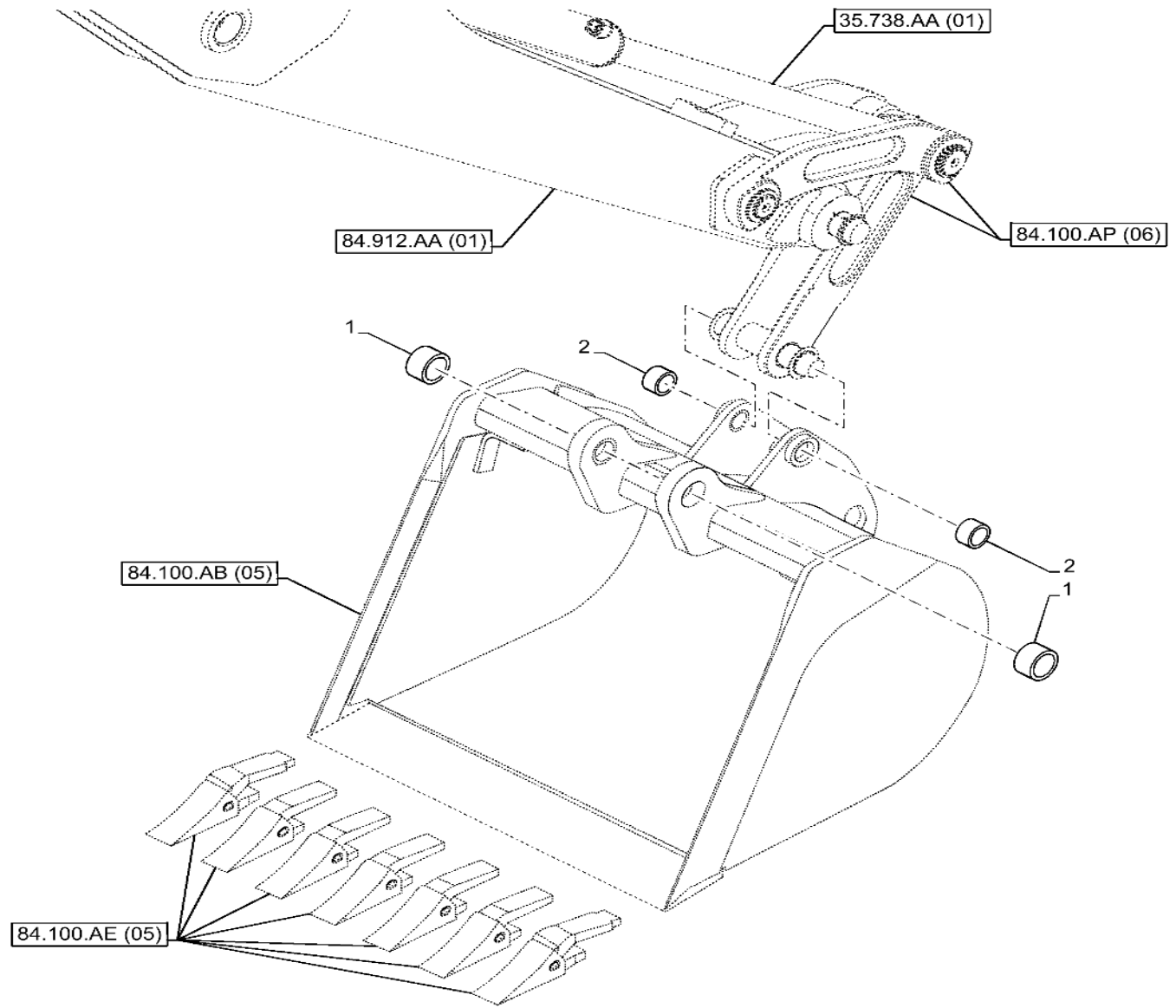
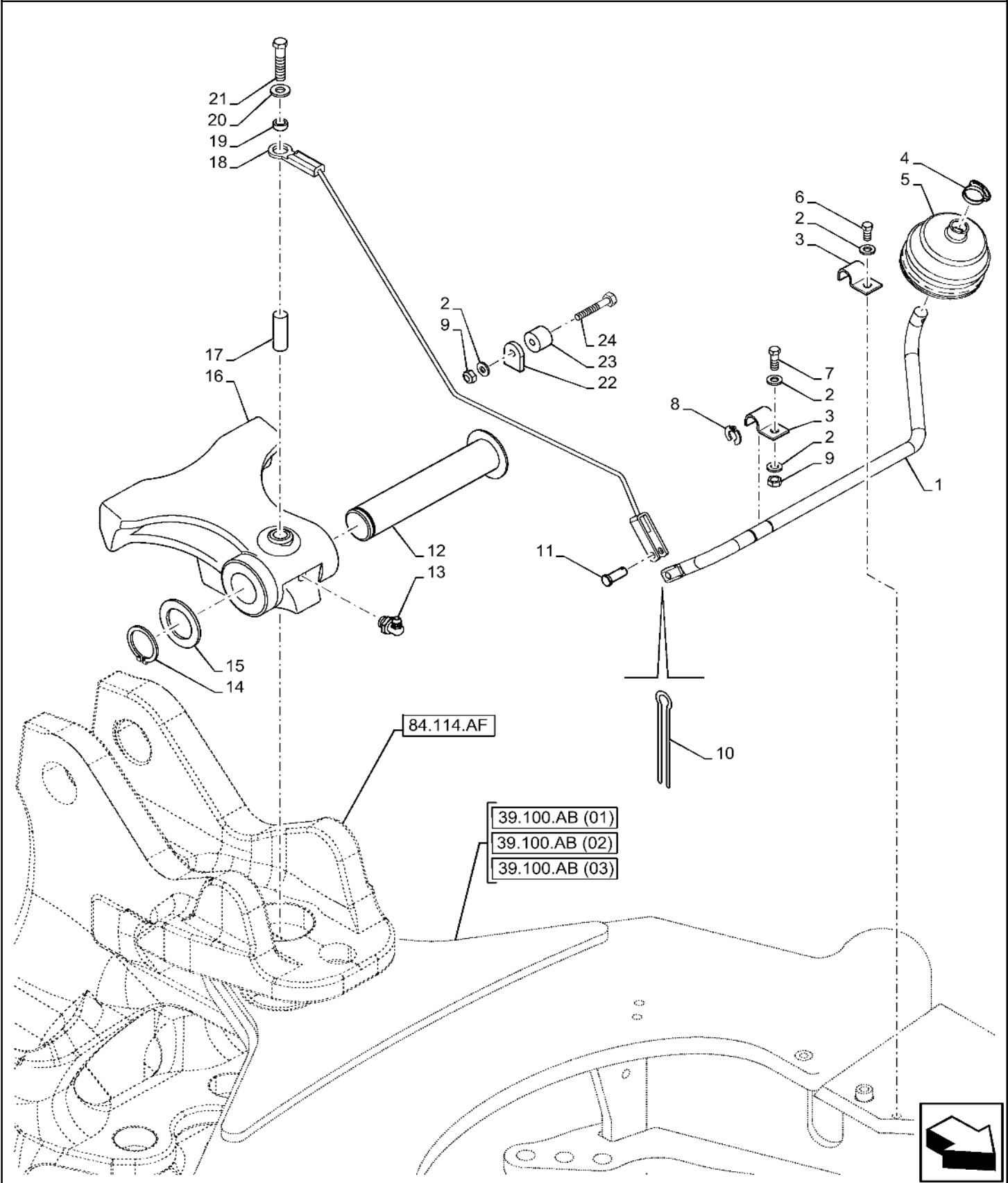


Figure is Valid with Industrial Var. 423071 ; Part Included in Bucket 84416563

BOOM, TRANSPORT LOCK



84.912.AA

03

p1

2/2020

VAR - 423092 - STANDARD DIPPER, EXTENDABLE DIPPER, GRIP

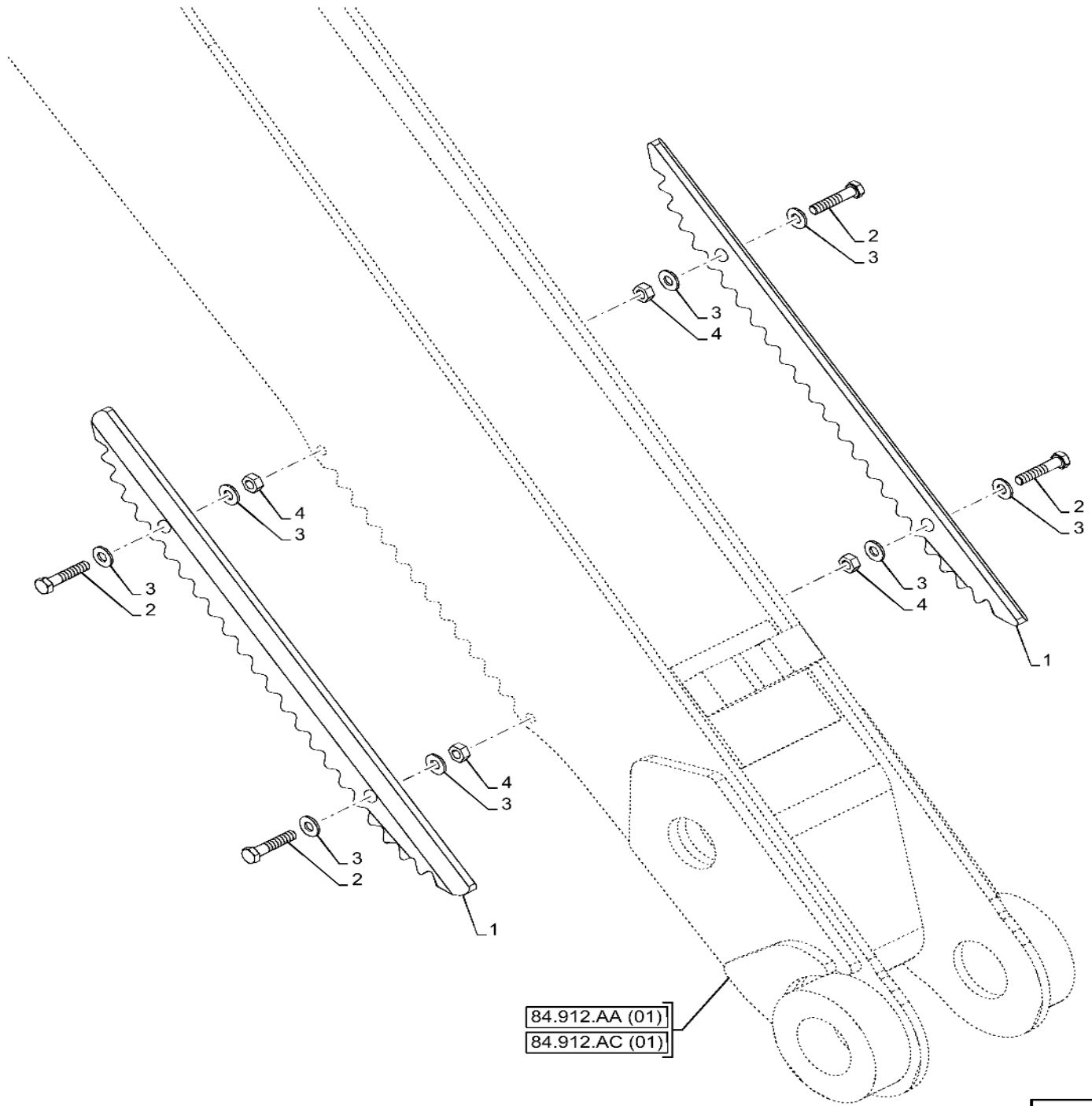
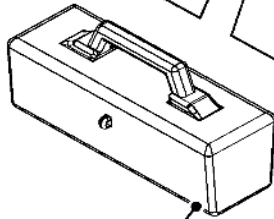
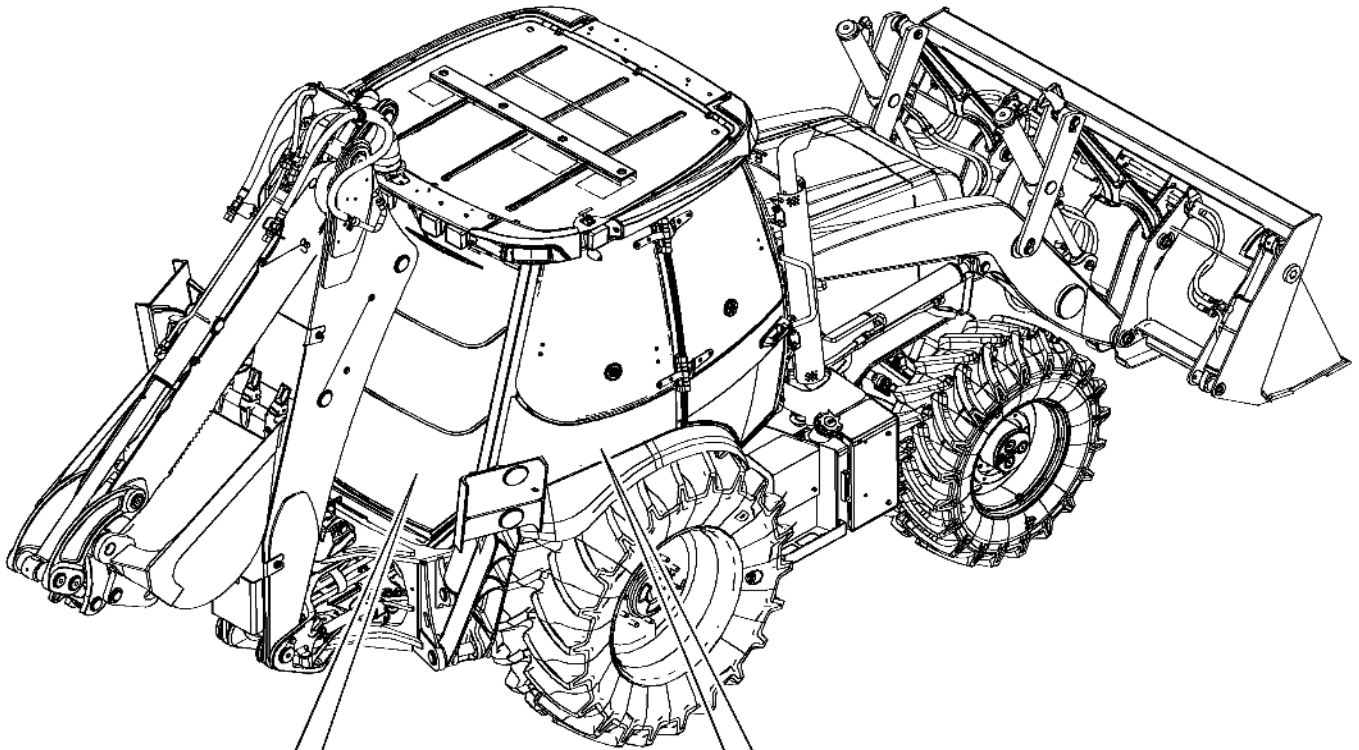


Figure is Valid with Industrial Var. 423092

SECTION INDEX - ACCESSORIES



88.100.AG (01)

88.100.AG (02)

88.100.AH

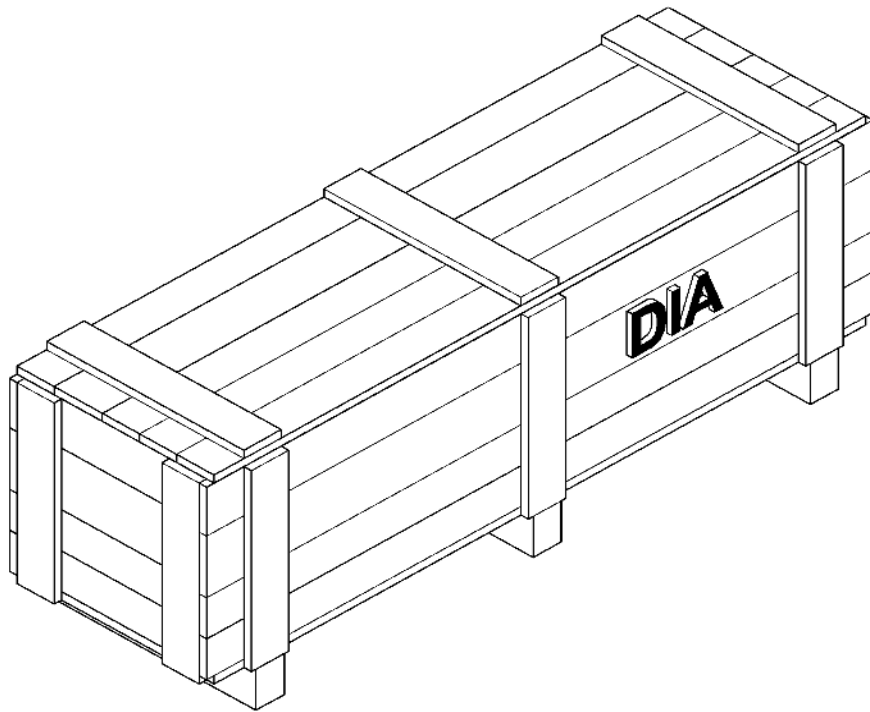
88.100.35

00

p8

2/2020

DIA KIT, DEALER INSTALLED ACCESSORY KITS INDEX, HYDRAULIC SYSTEM



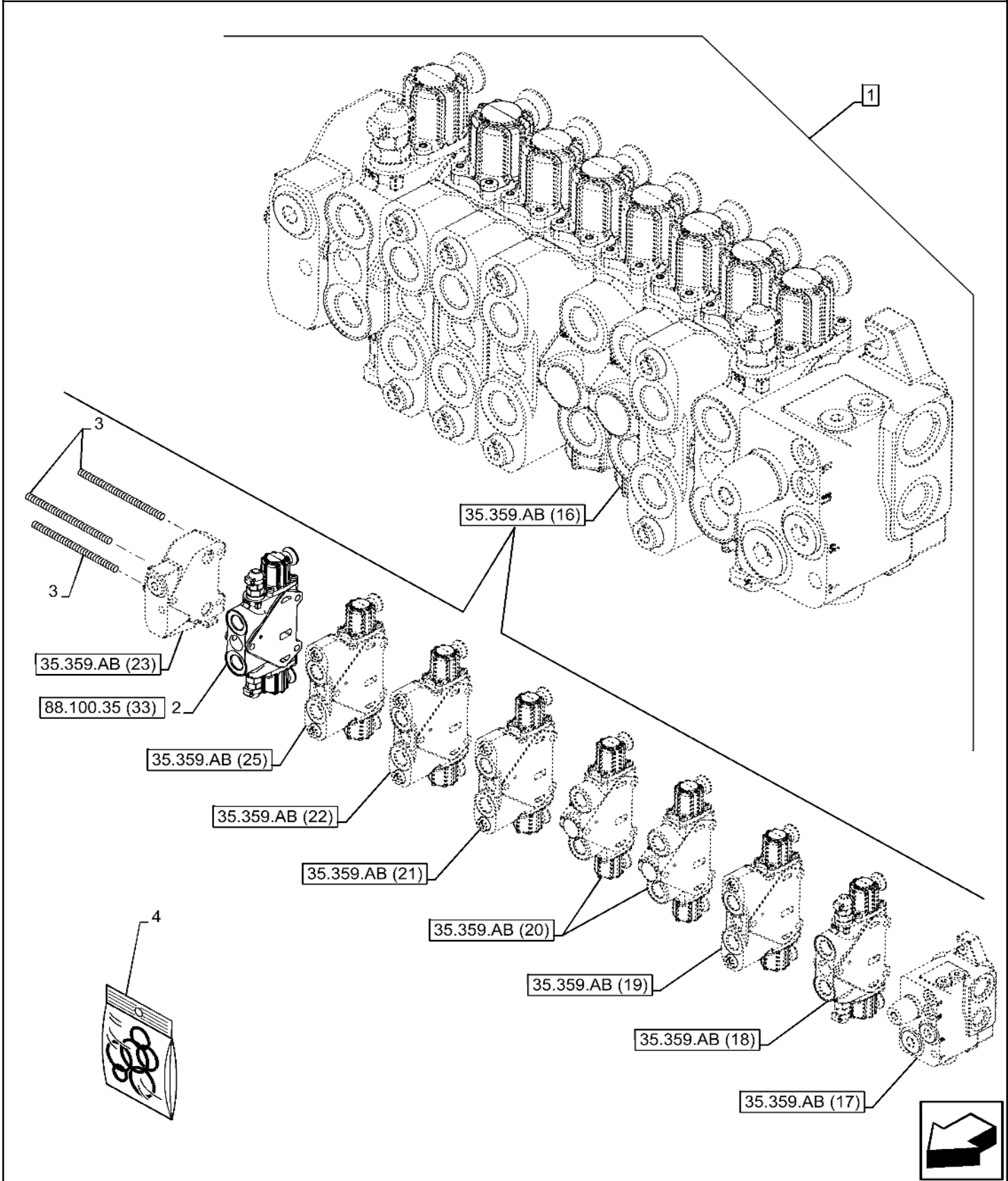
88.100.35

32

p1

2/2020

DIA KIT, DUAL AUXILIARY, PILOT CONTROL, STANDARD DIPPER



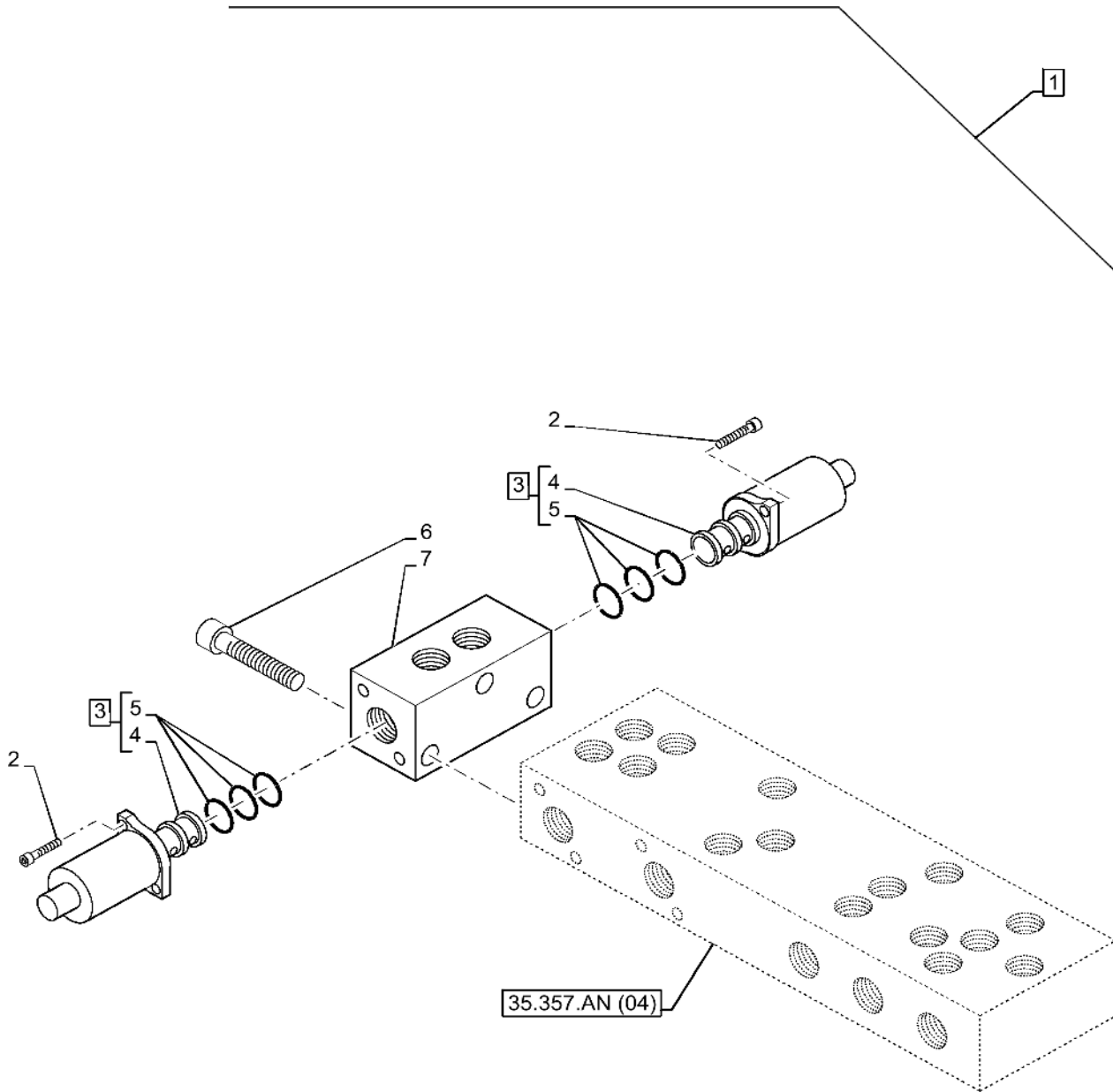
88.100.35

62

p1

2/2020

DIA KIT, DUAL AUXILIARY, PILOT CONTROLS, STANDARD DIPPER, BLOCK



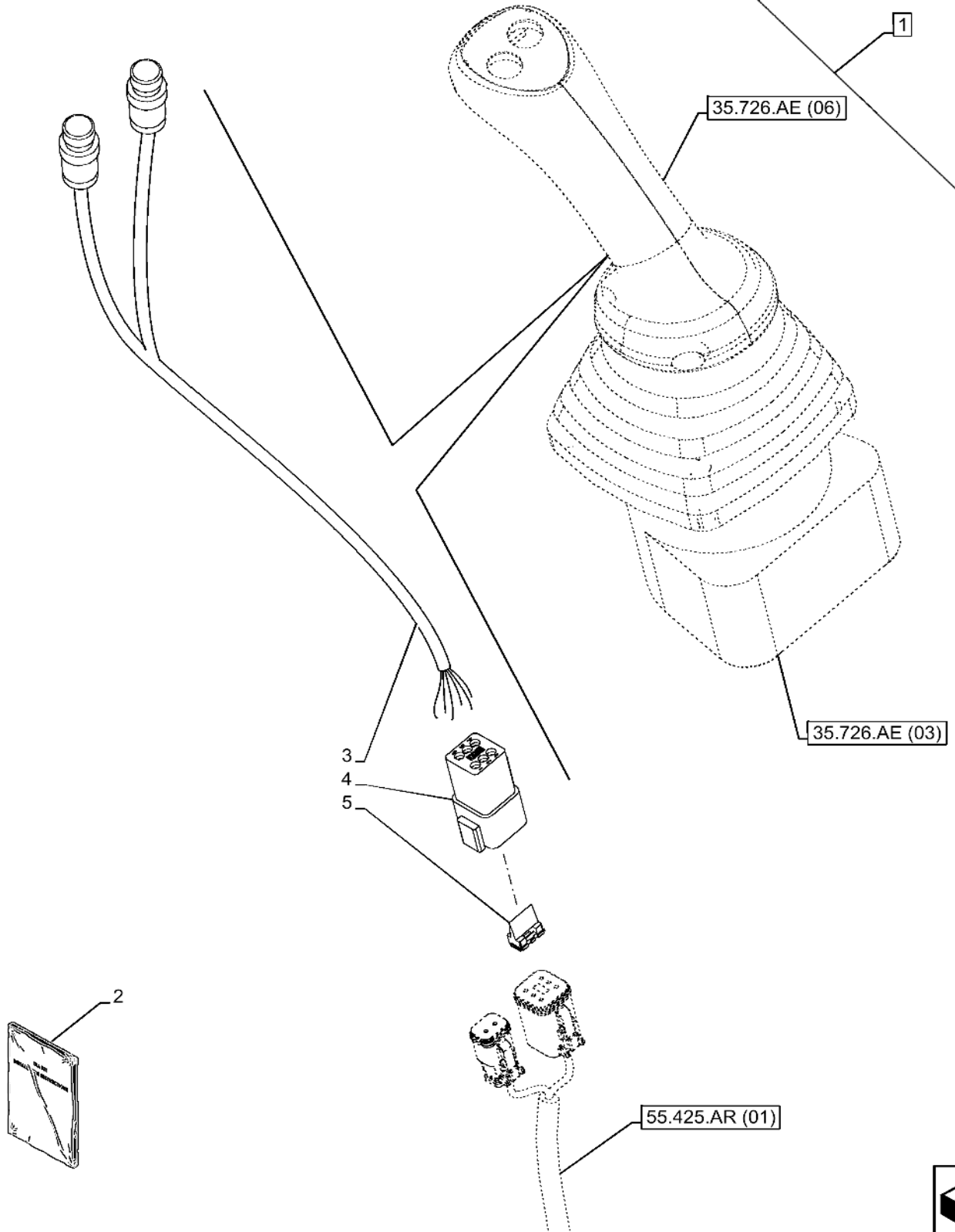
88.100.55

05

p1

2/2020

DIA KIT, PILOT CONTROLS, JOYSTICK, SWITCH



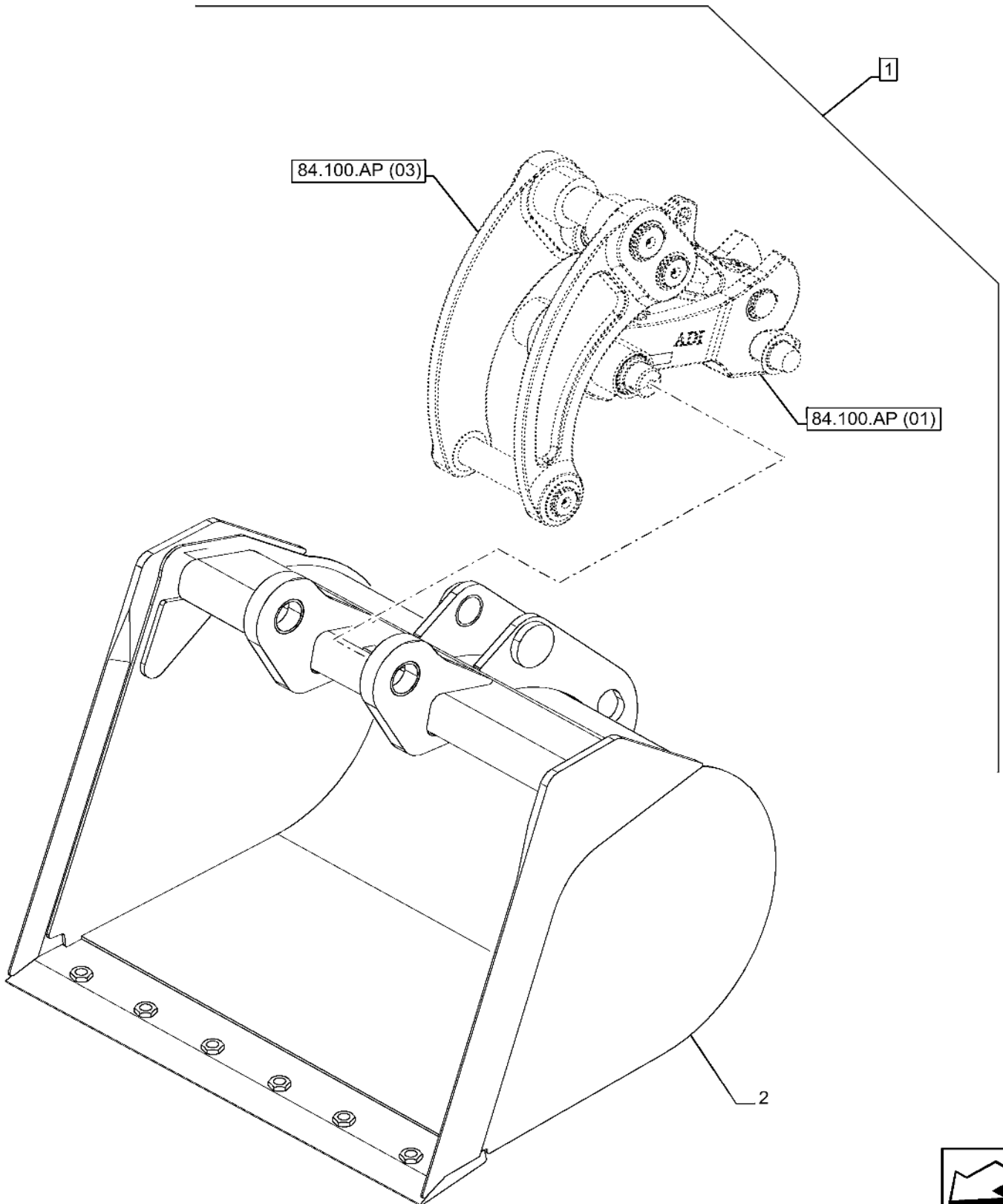
88.100.84

01

p1

2/2020

DIA KIT, DITCH CLEANING BUCKET, 36INCH HD



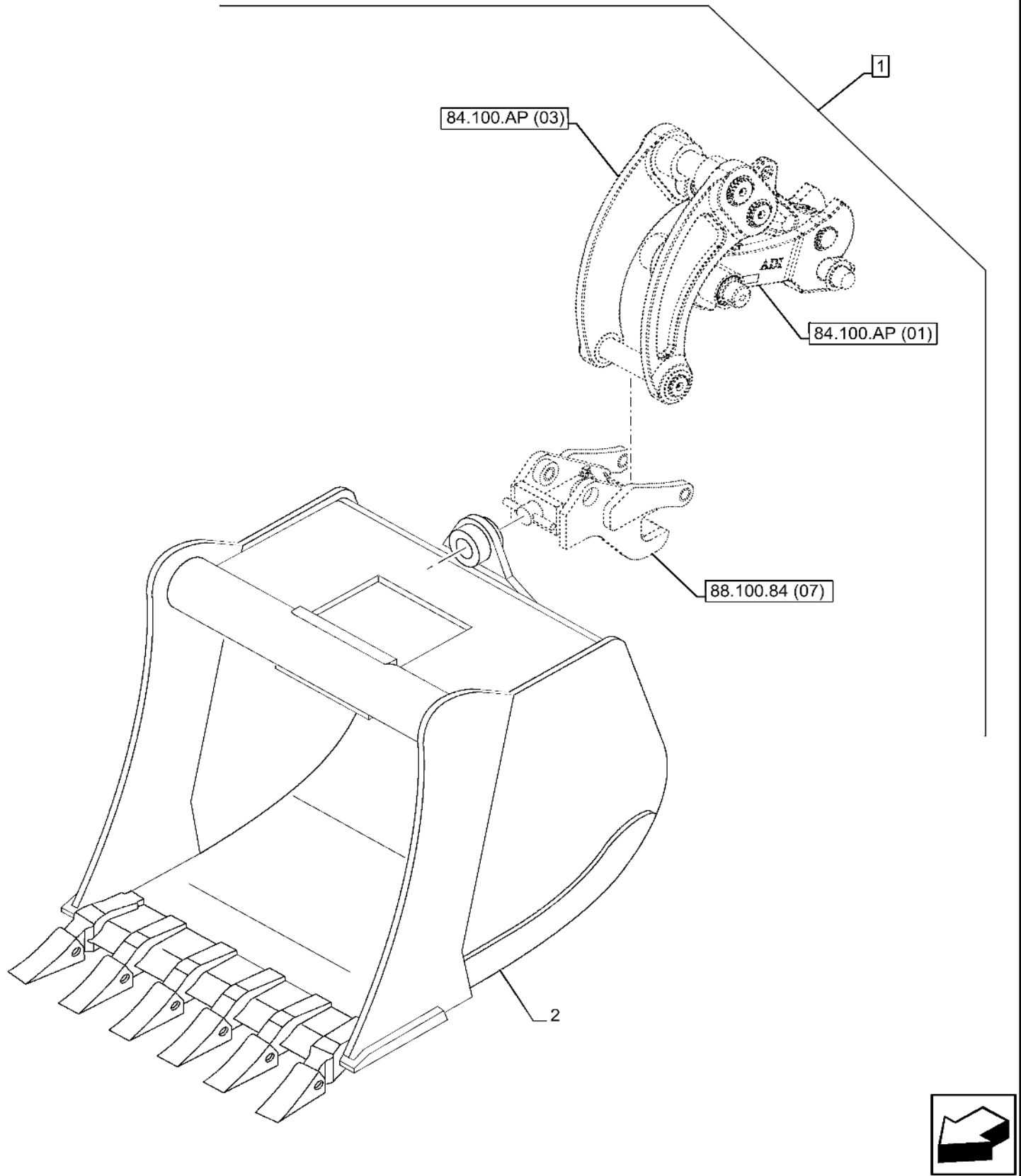
88.100.84

14

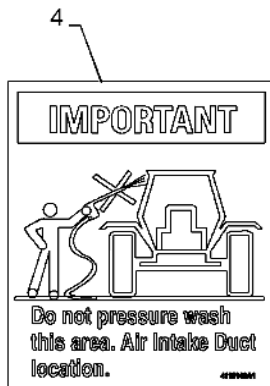
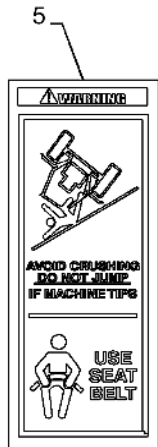
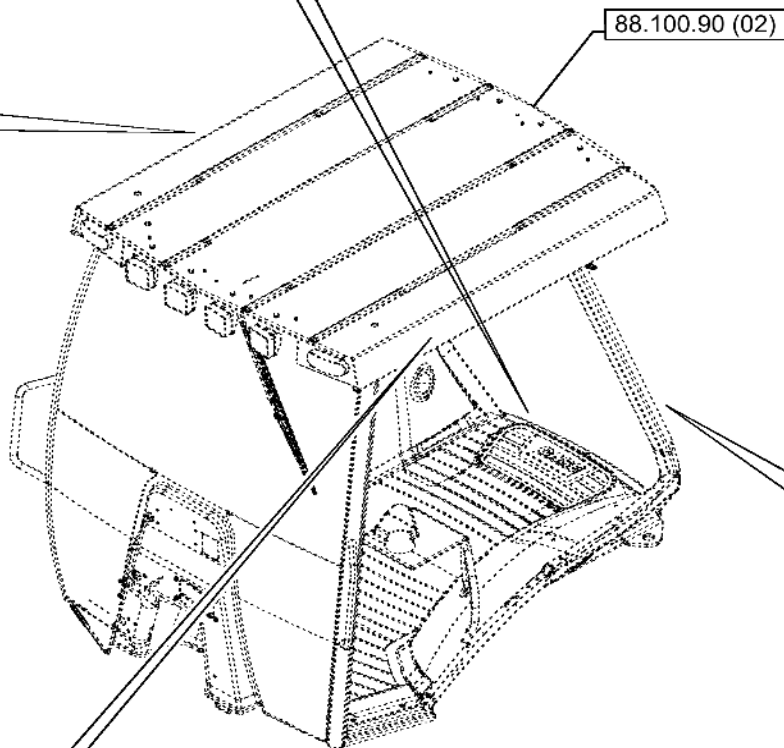
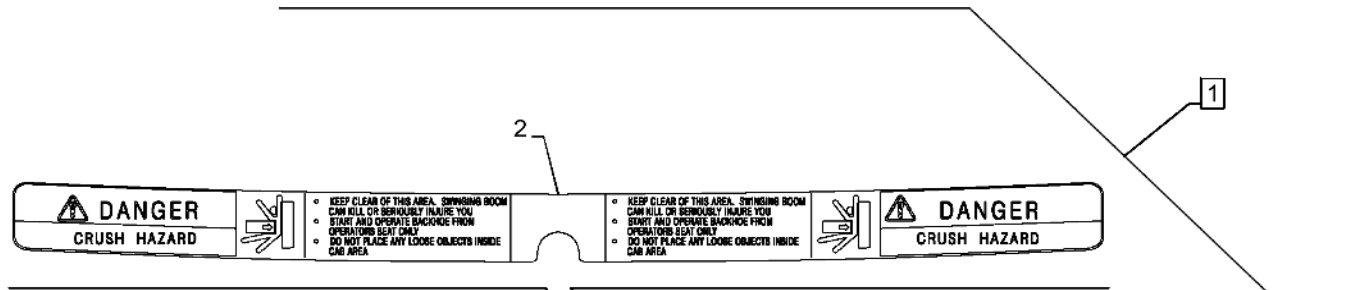
p1

2/2020

DIA KIT, BUCKET, WR QC30 HD, 36 INCH/914MM



DIA KIT, CANOPY, WIDE



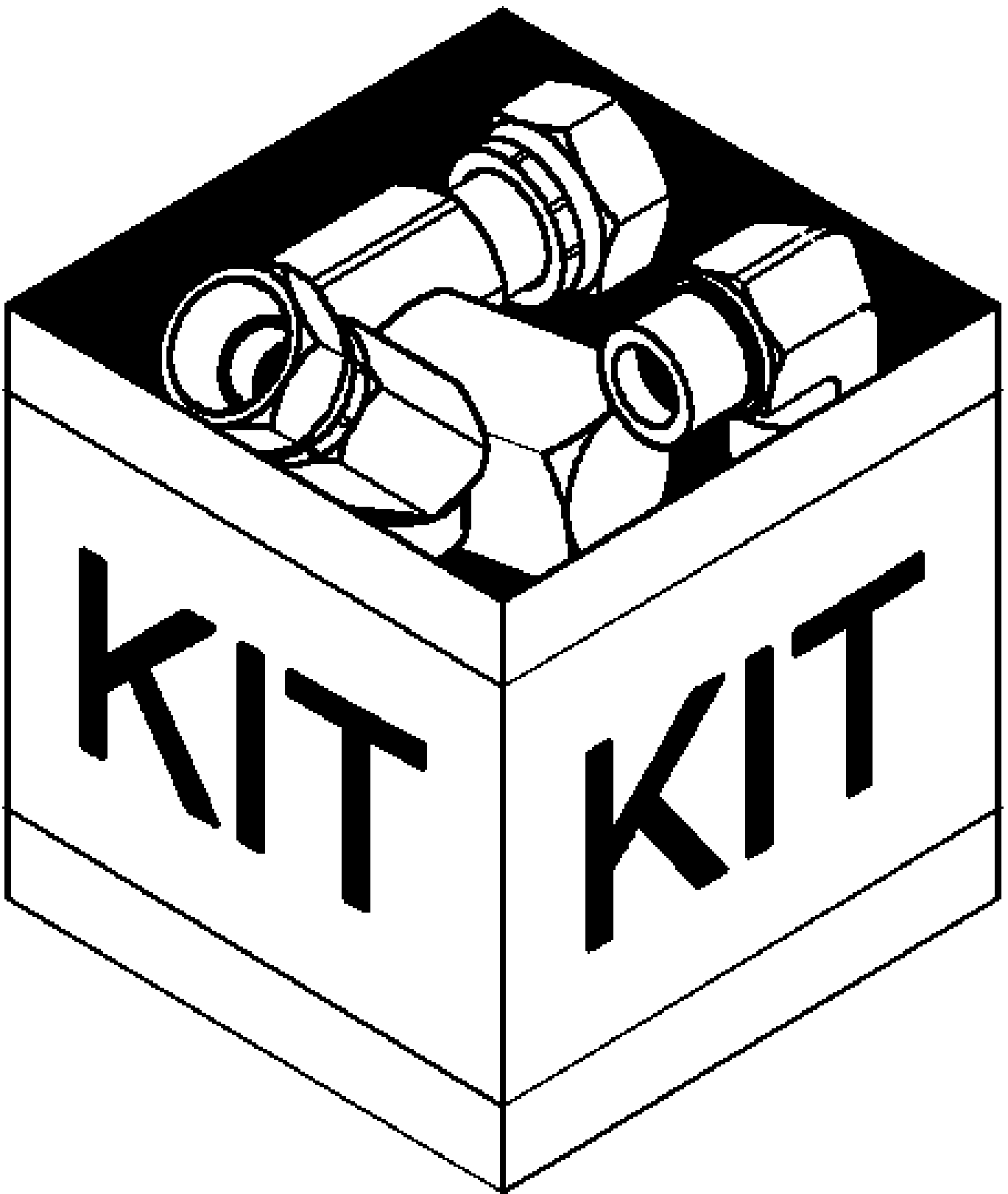
88.100.AG

03

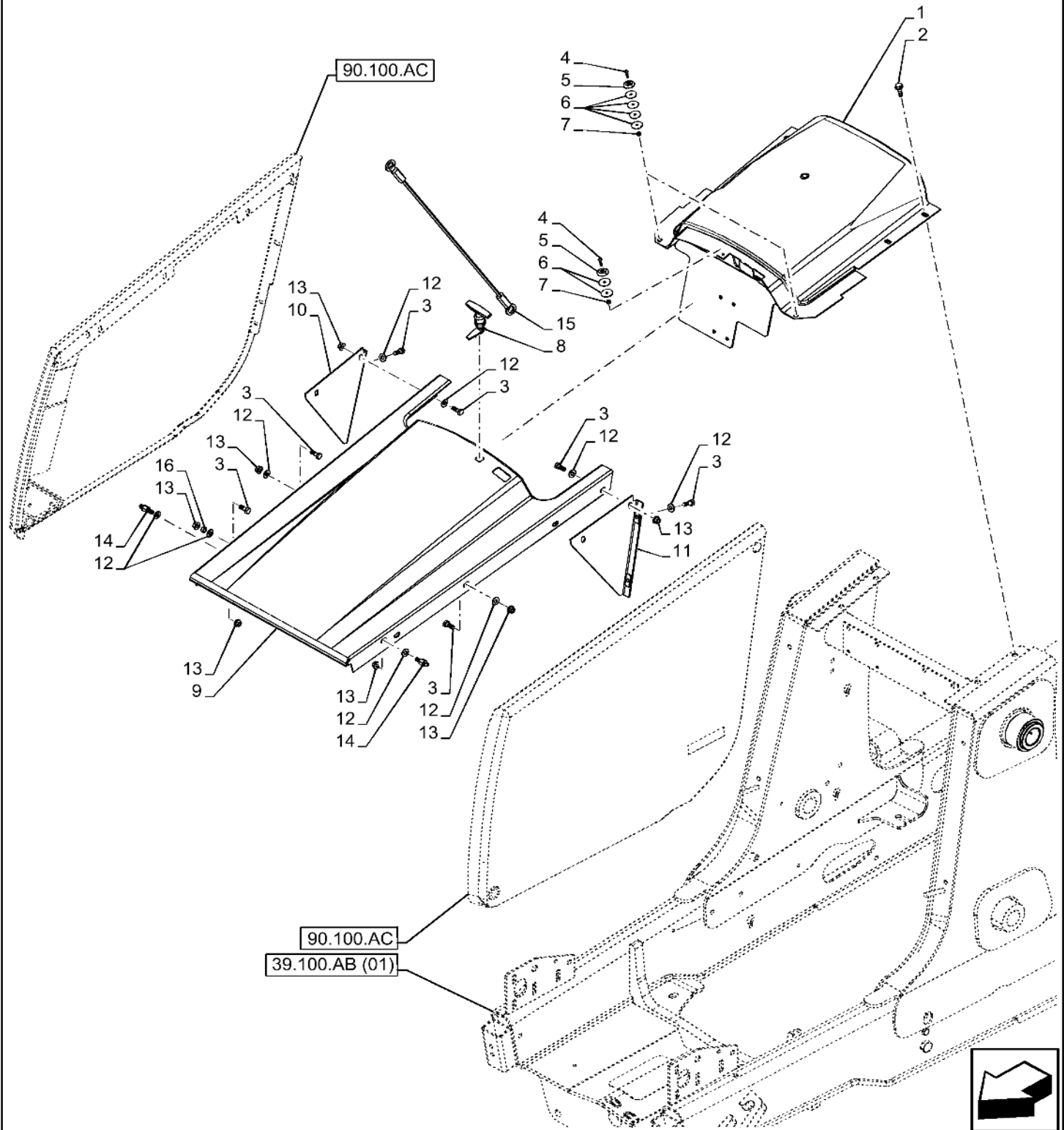
p1

2/2020

KIT SEAL REPAIR 101.6 X 50.8

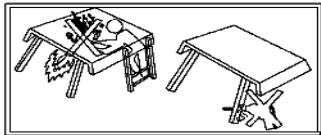


HOOD



VAR - 423000 - WARNING DECAL

1



! WARNING
Do not modify or repair ROPS
or FOPS in any manner.

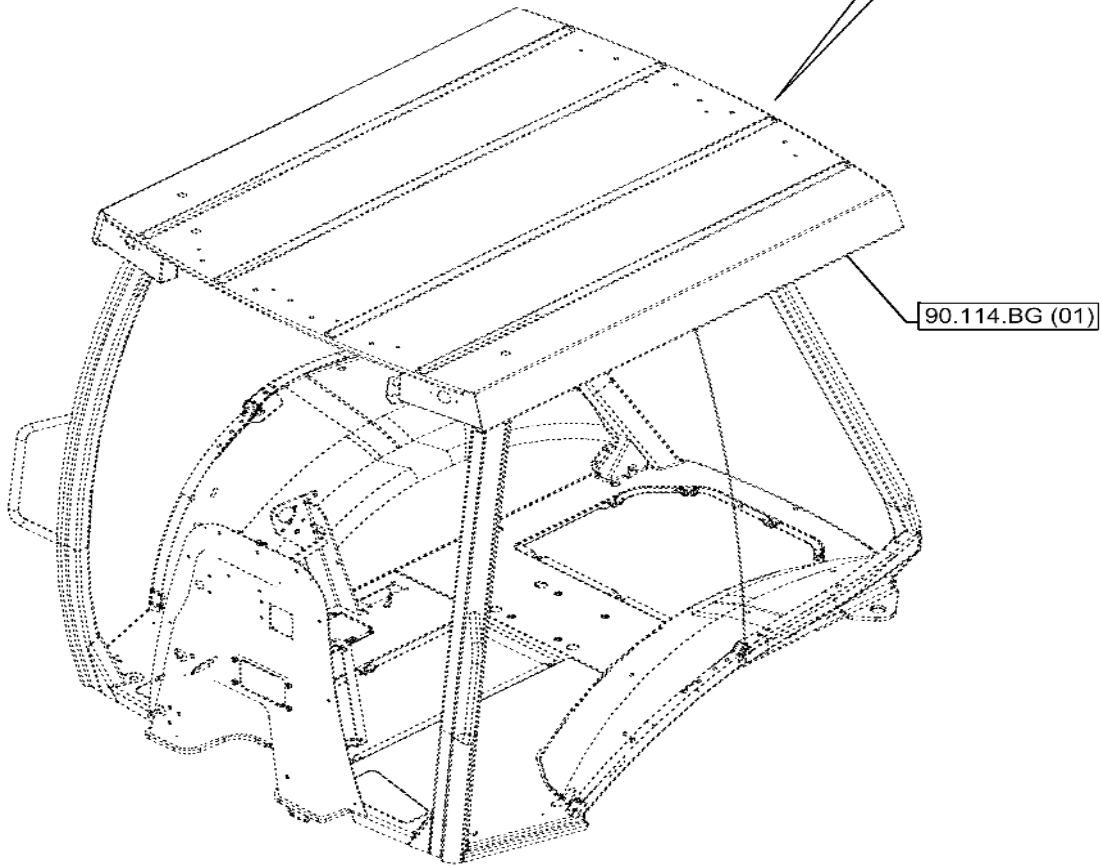
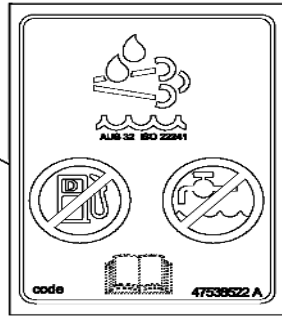


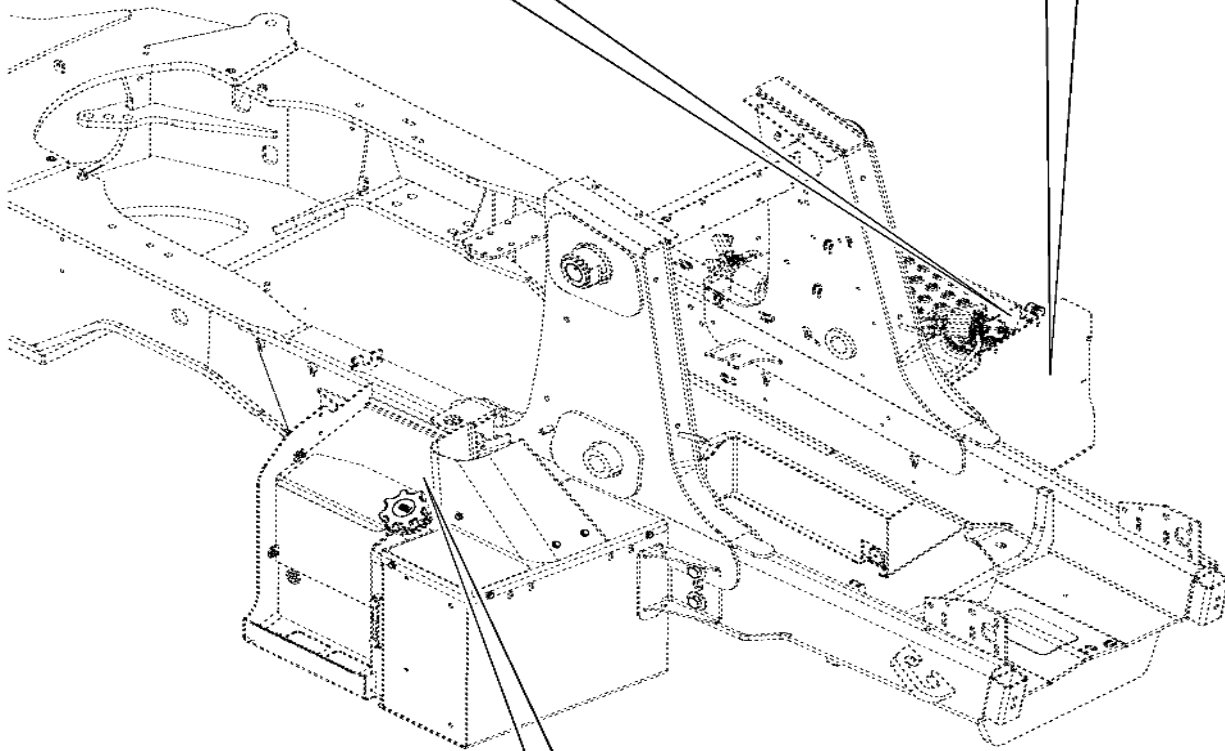
Figure is Valid with Industrial Var. 423000

VAR - 747882, 747883 - WARNING DECAL



GAZOLE

1
2
ULTRA LOW
SULFUR FUEL
ONLY



HYDRAULIC
FLUID



Figure is Valid with Industrial Var. 747882, 747883 and Option X470086X

VAR - 423058, 423059, 423060, 423061, 423062 - DECALS, SEMI-POWERSHIFT, TRANSMISSION

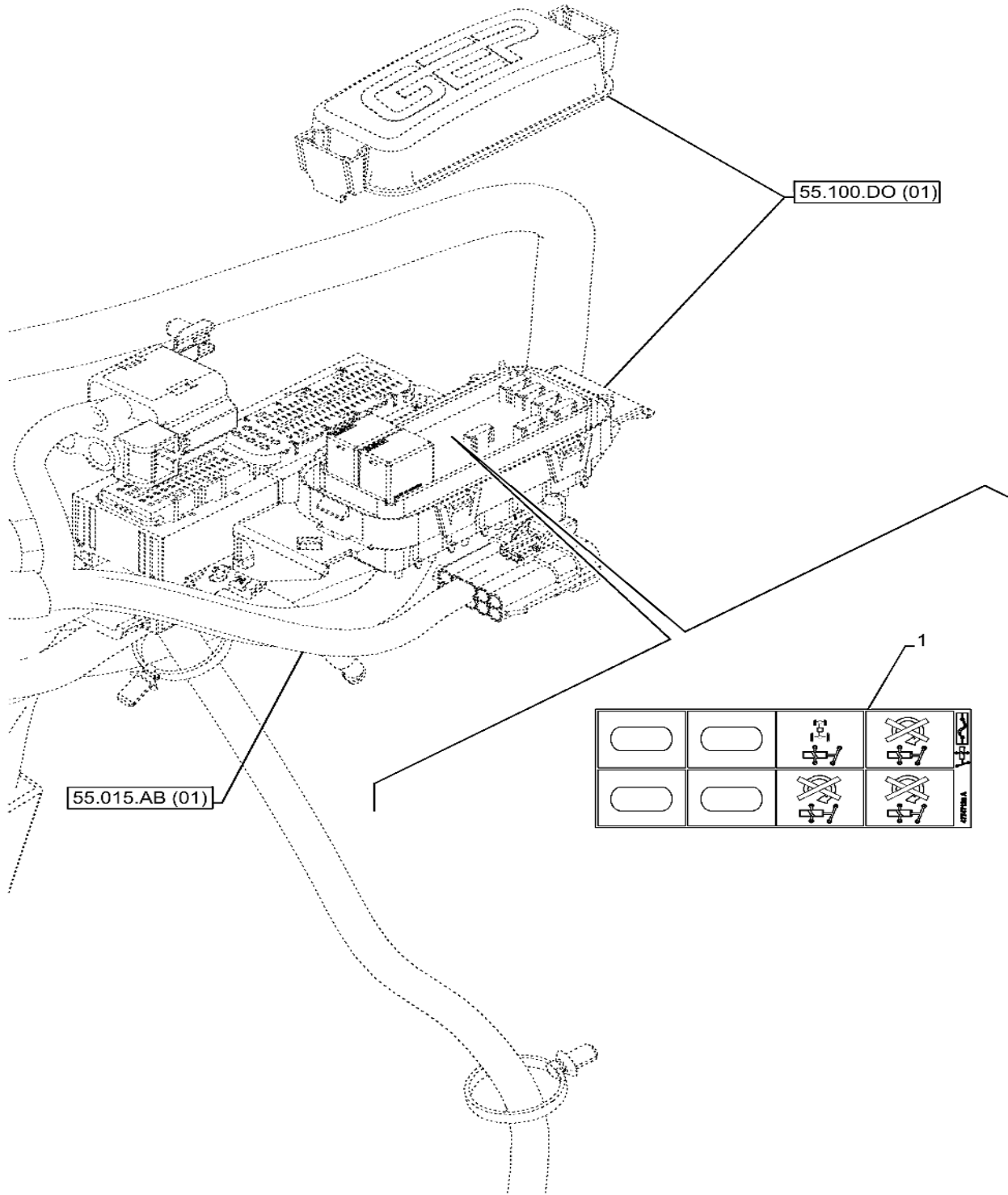


Figure is Valid with Industrial Var. 423058, 423059, 423060, 423061, 423062



VAR - 442082, 747853, 747854, 747855, 423000 - FENDER

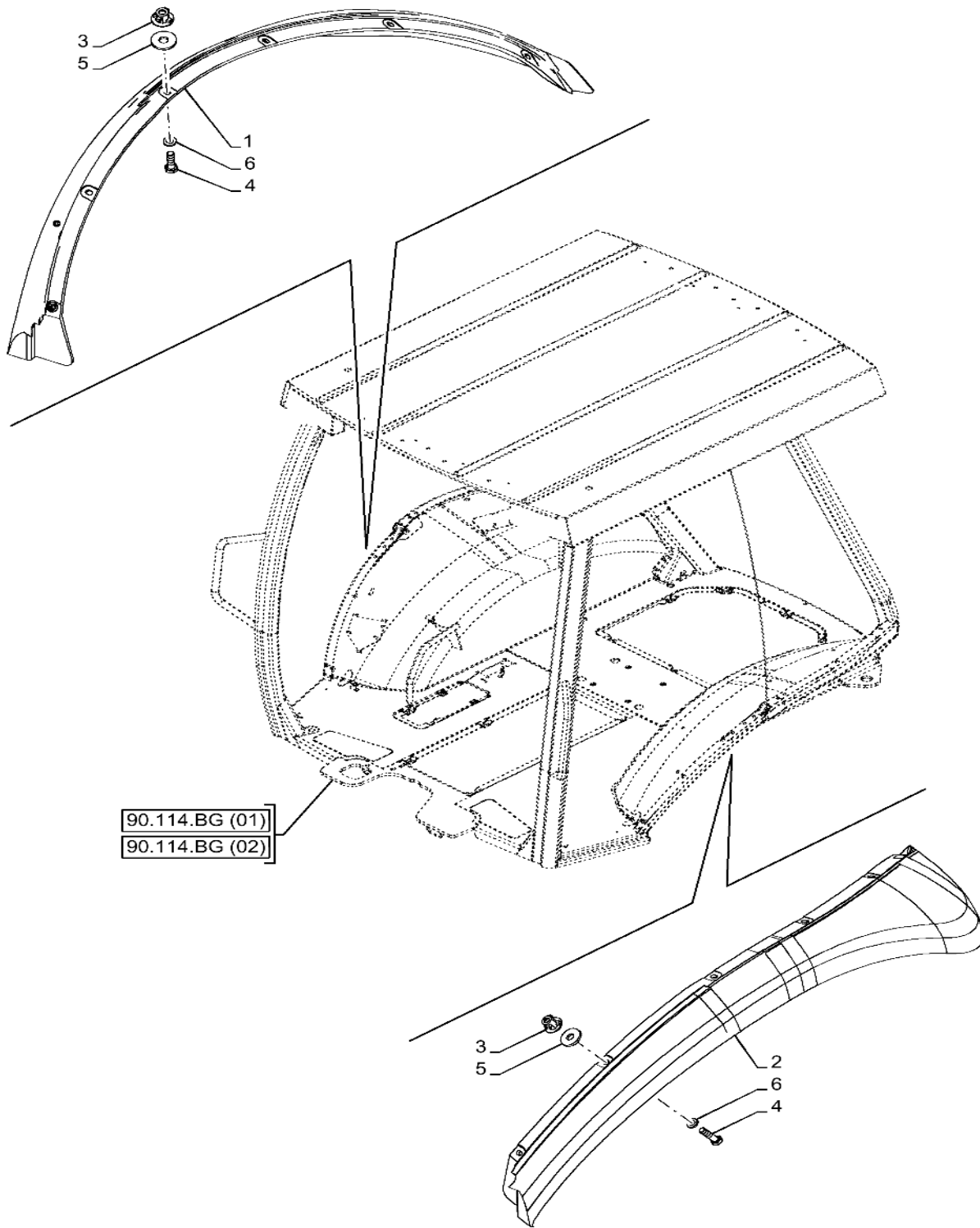


Figure is Valid with Industrial Var. 442082, 747853, 747854, 747855, 423000

VAR - 745161 - SEAT, AIR SUSPENSION, PEDESTAL

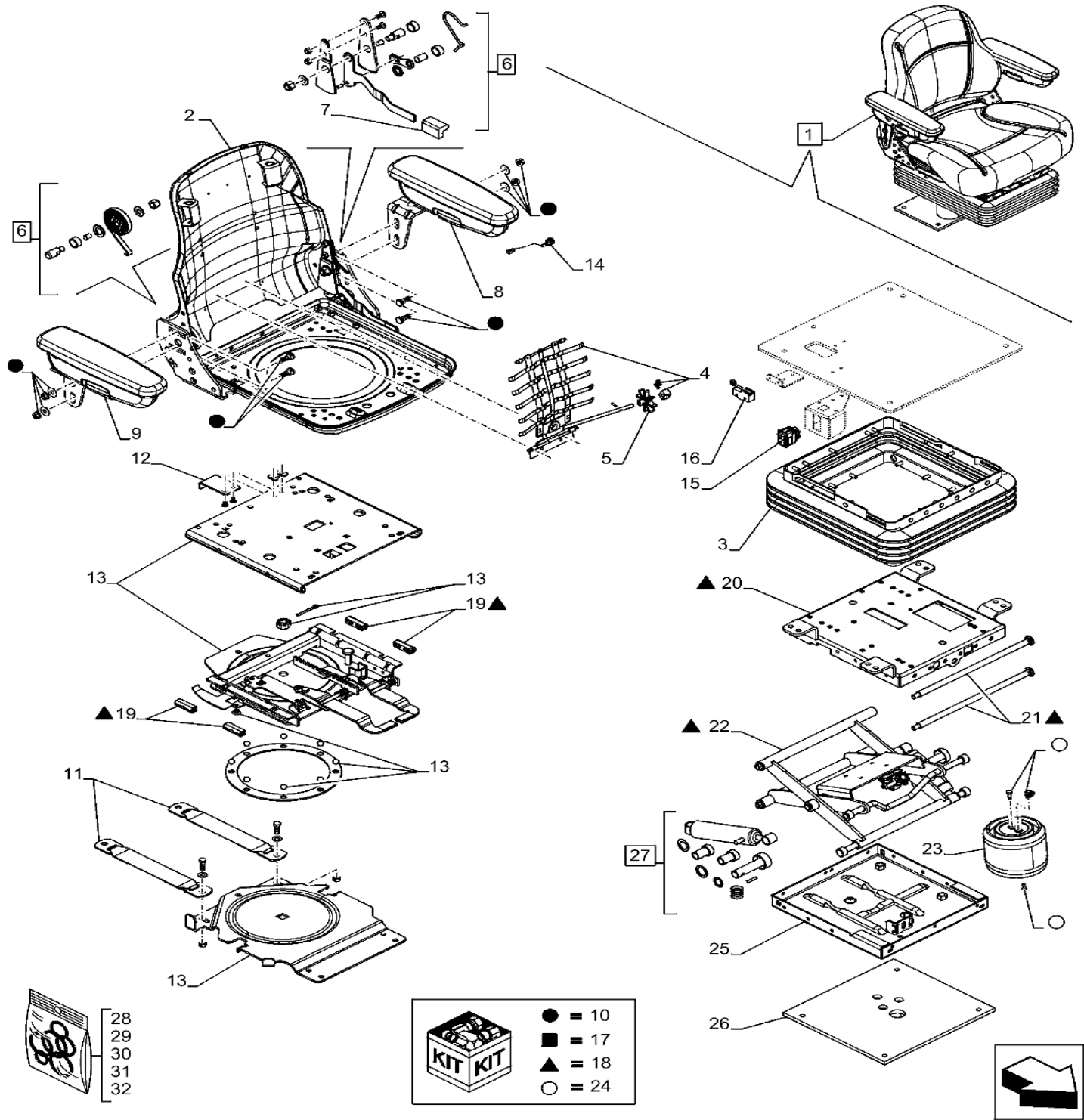


Figure is Valid with Industrial Var. 745161

90.151.AE

03

p1

2/2020

VAR - 442083 - SUN VISOR

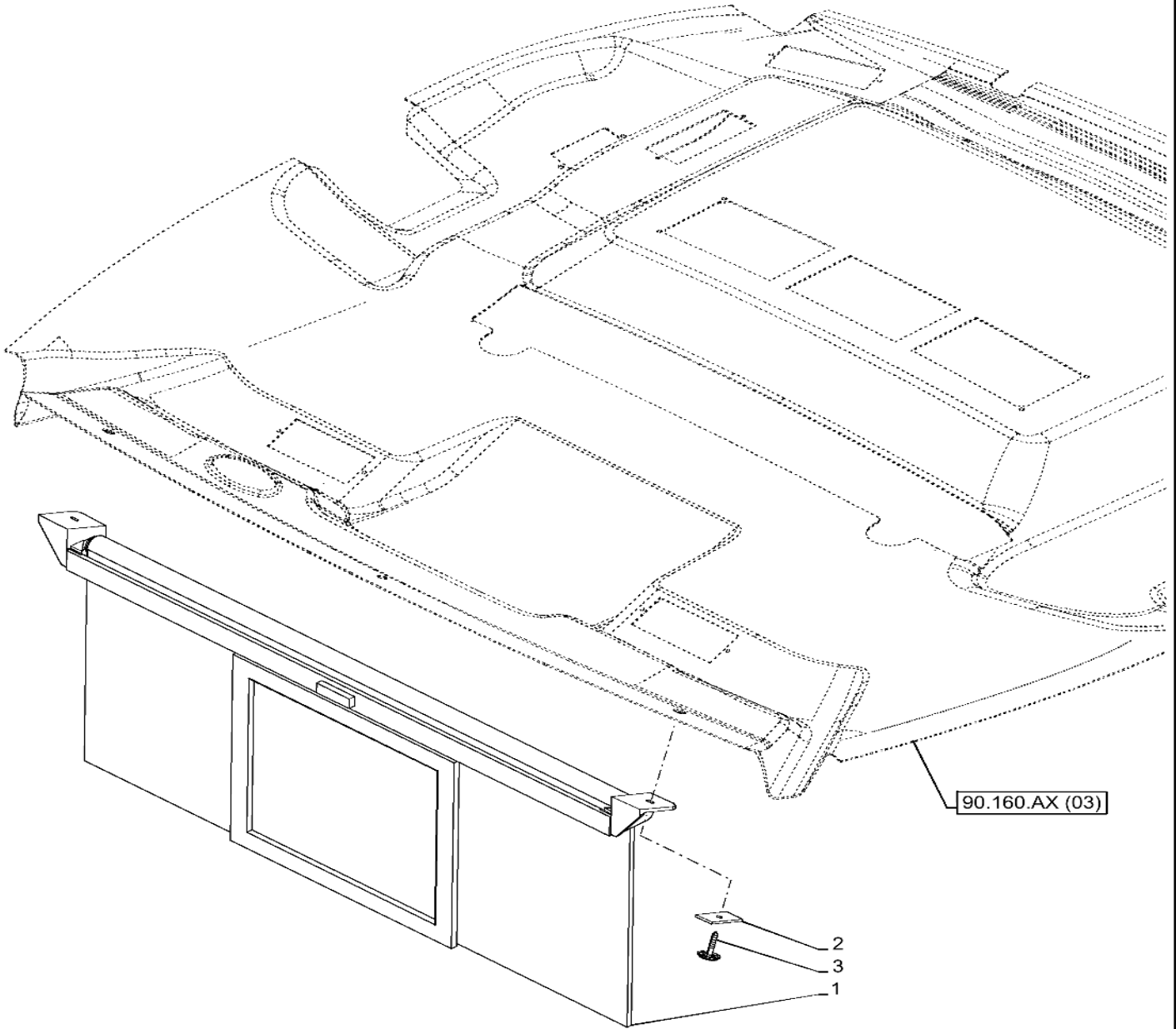


Figure is Valid with Industrial Var. 442083

90.154.AQ

01

p1

2/2020

VAR - 747853, 747854, 747855 - CAB, WIDE, LEFT DOOR, RETAINER, STOP

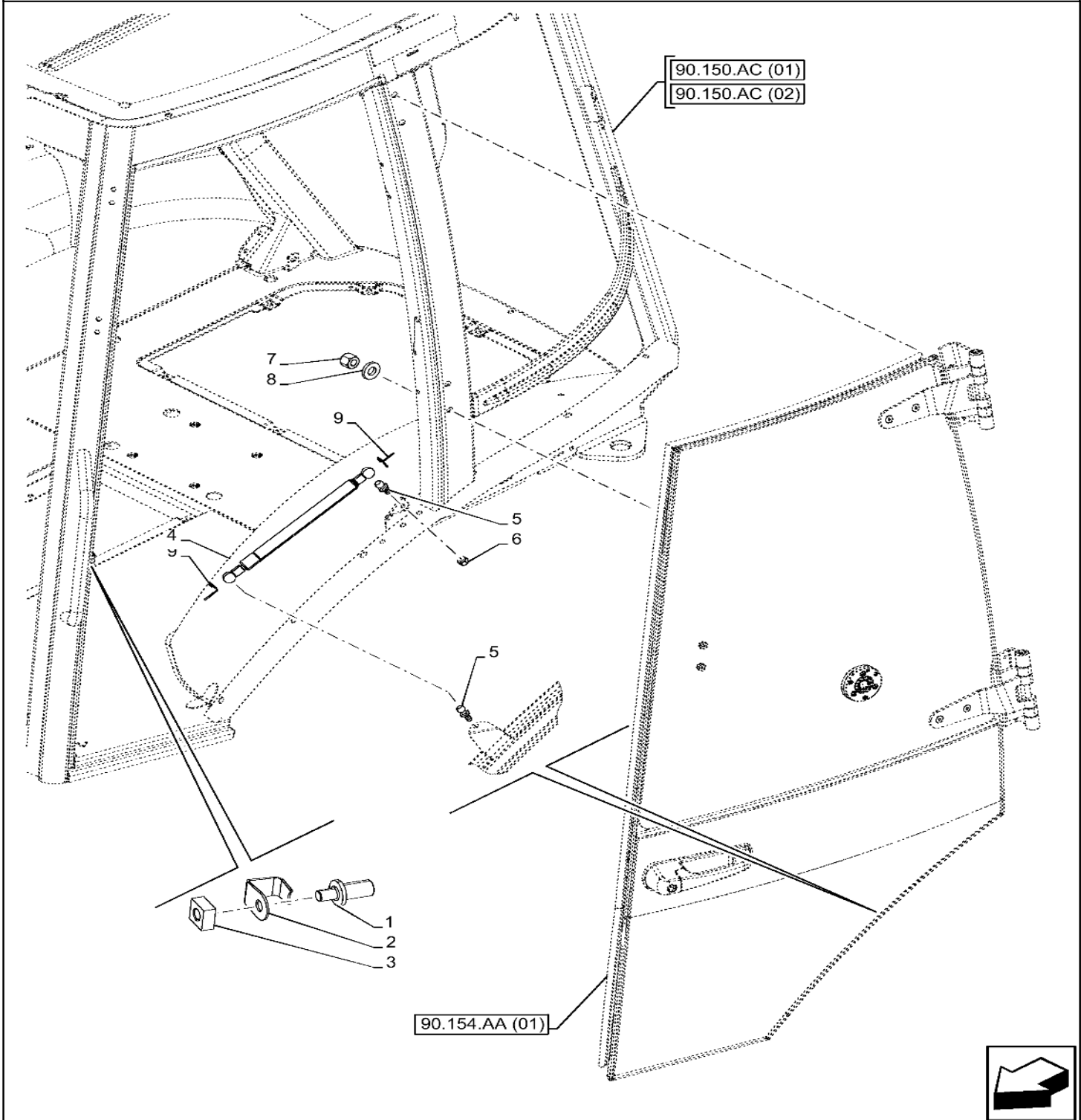


Figure is Valid with Industrial Var. 747853, 747854, 747855

VAR - 747853, 747854, 747855 - CAB, WIDE, WINDSHIELD

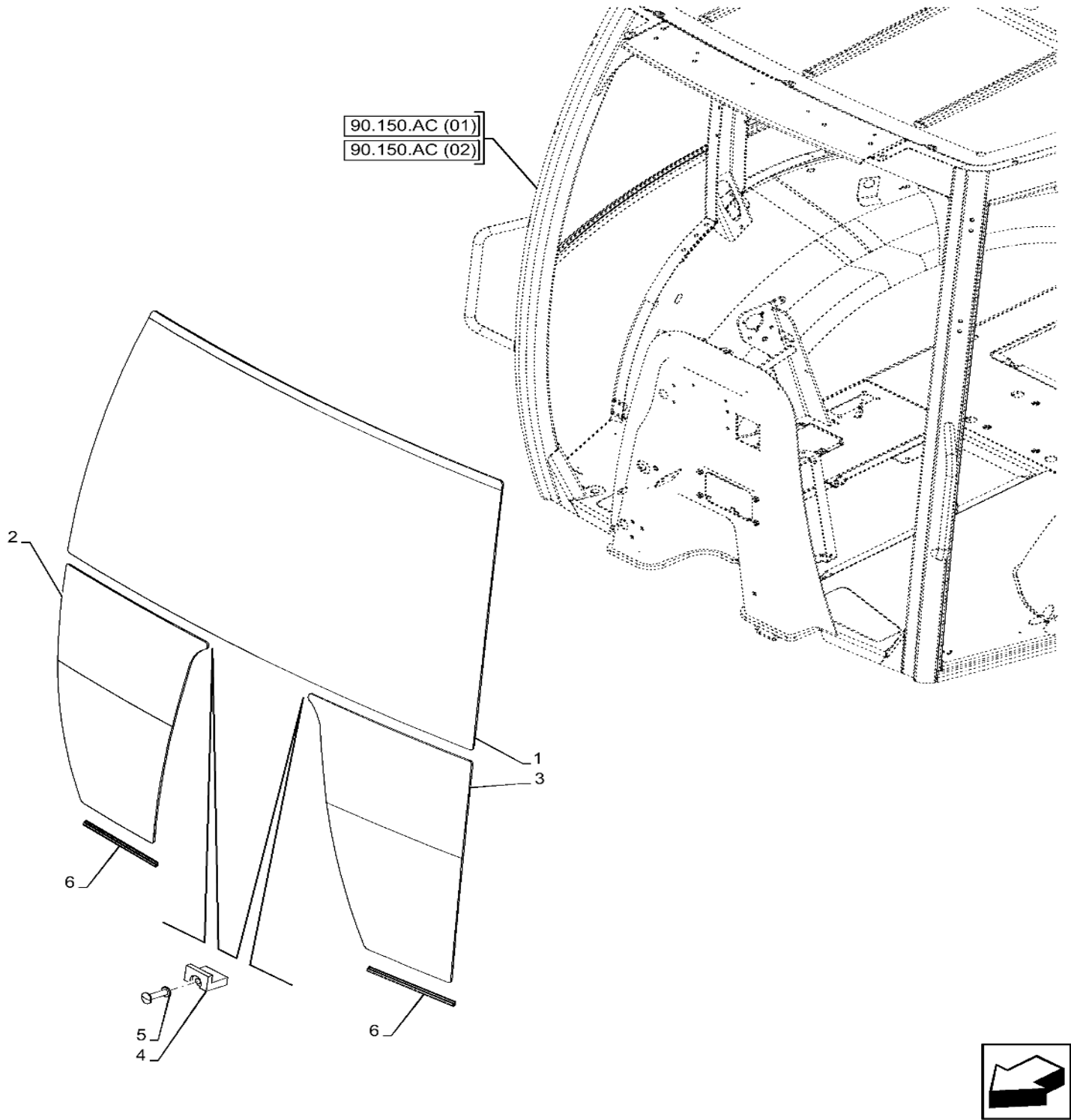


Figure is Valid with Industrial Var. 747853, 747854, 747855

90.160.AM

03

p1

2/2020

VAR - 442083 - CAB INTERIOR TRIM, LEFT SIDE, INTERNAL PANEL

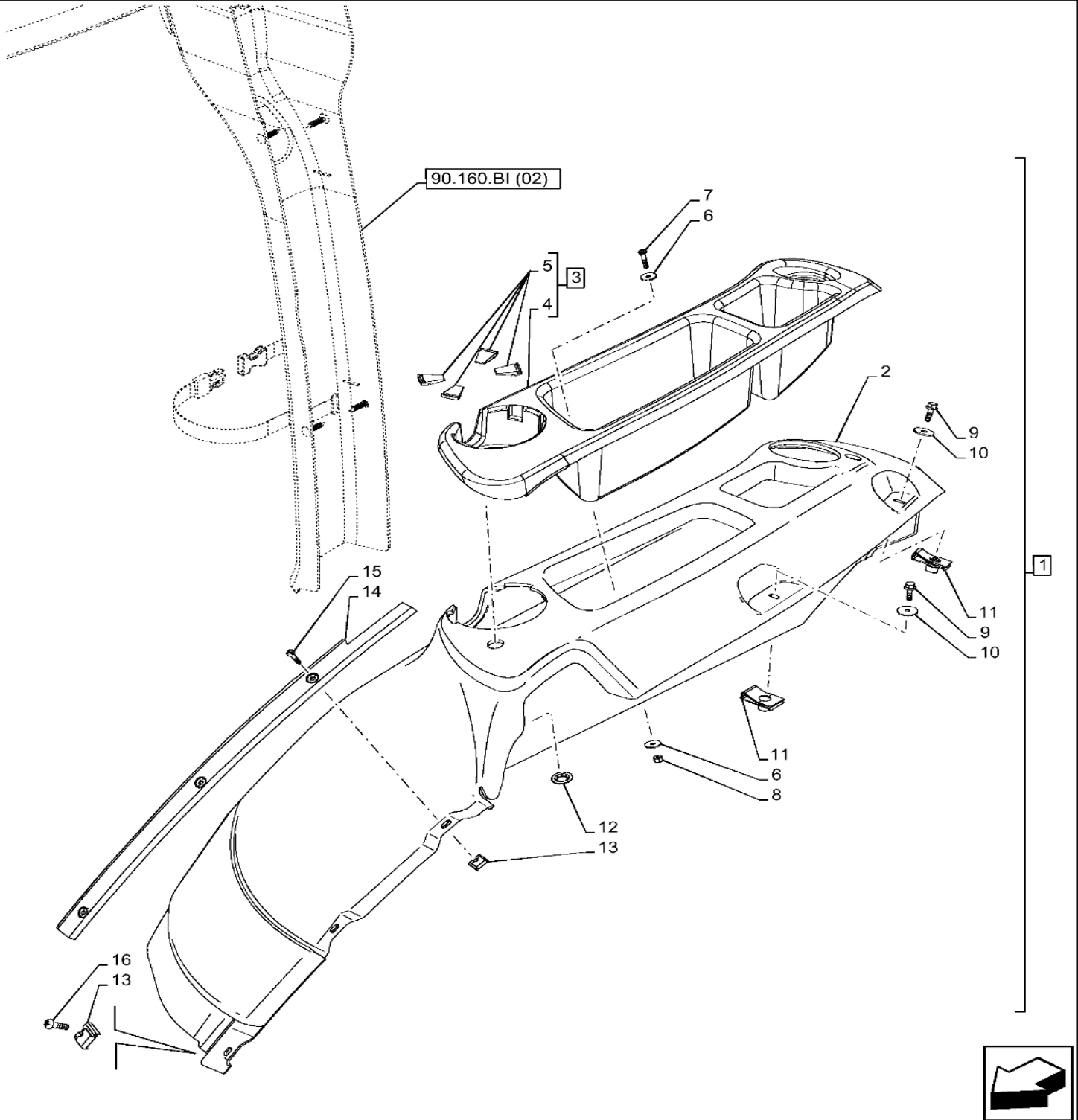
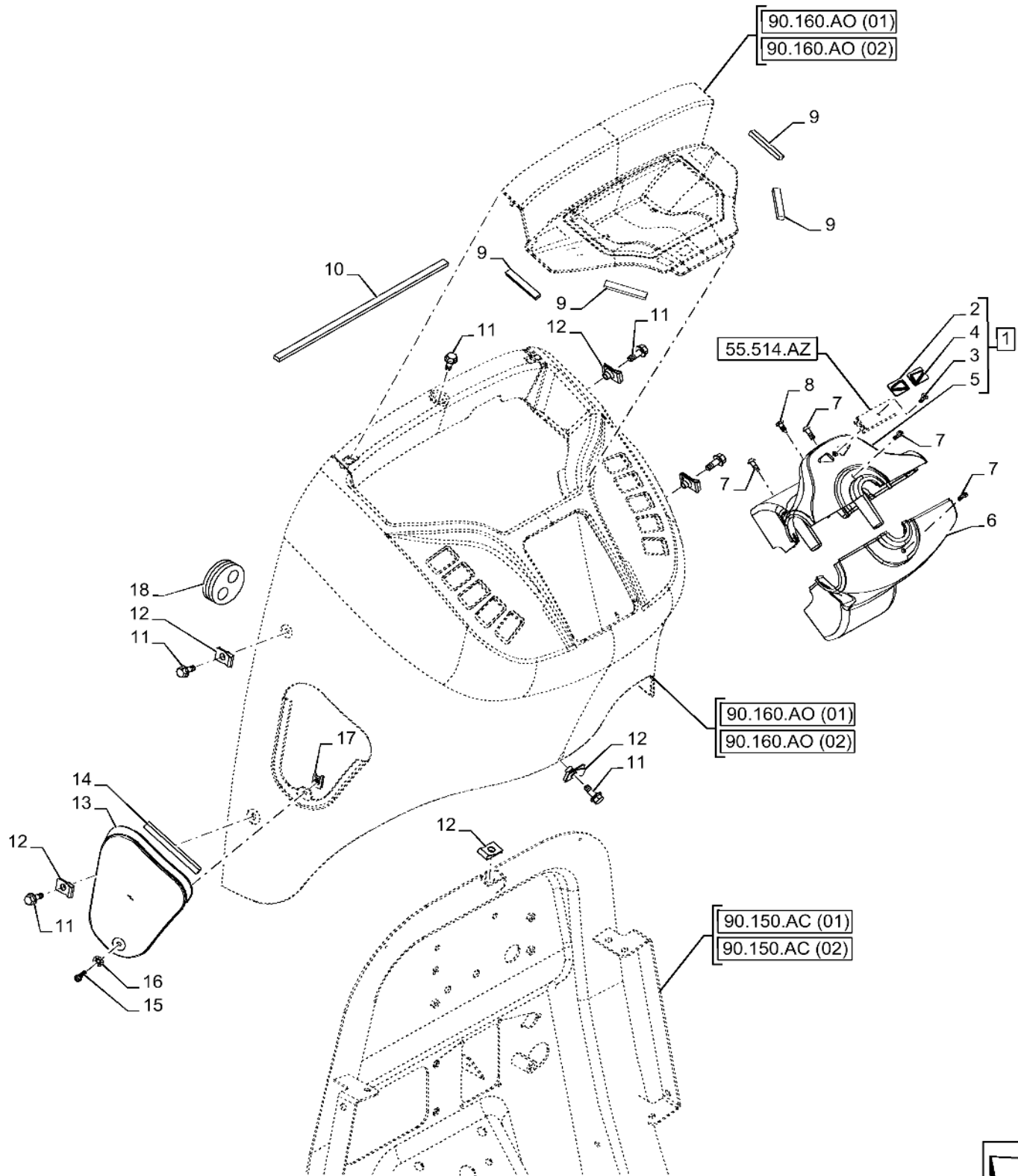


Figure is Valid with Industrial Var. 442083

FRONT CONSOLE, STEERING COLUMN, COVER



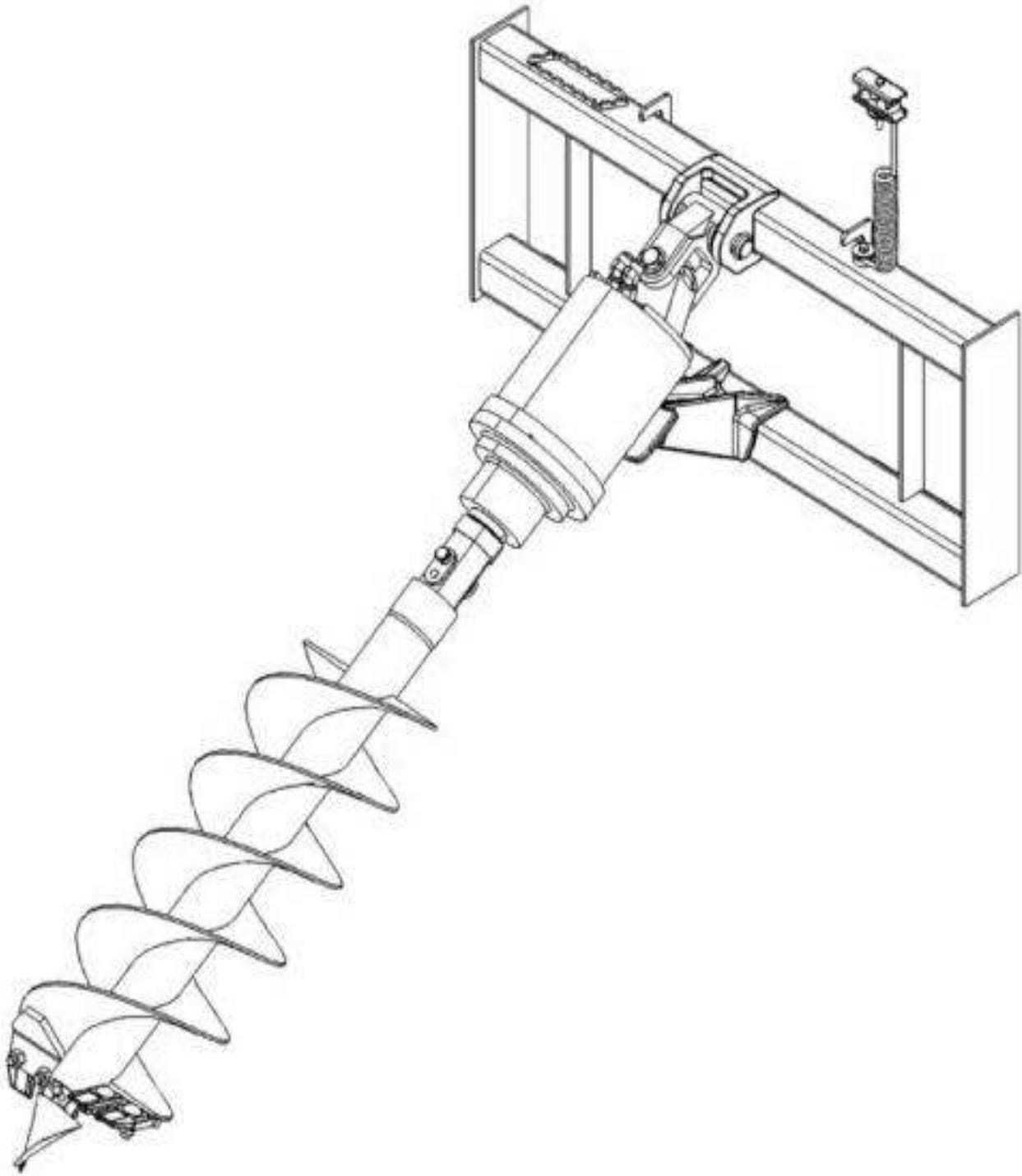
95.100.050

02

p2

2/2020

AUGER DRIVE, DIPPER



Order from Ship Direct

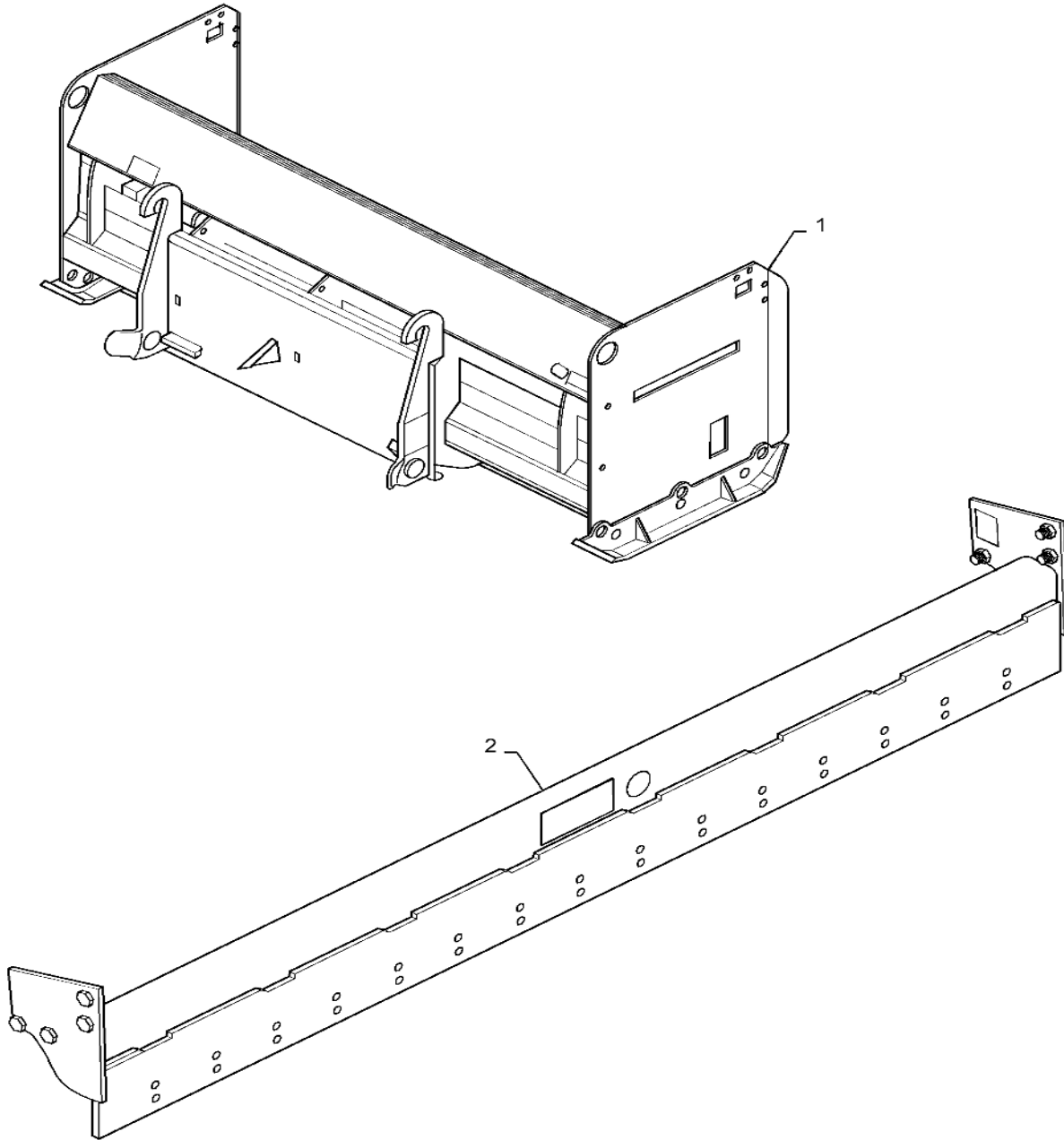
95.100.100

03

p1

2/2020

SNOW BLADE, PUSH - 96"



Order from Ship Direct

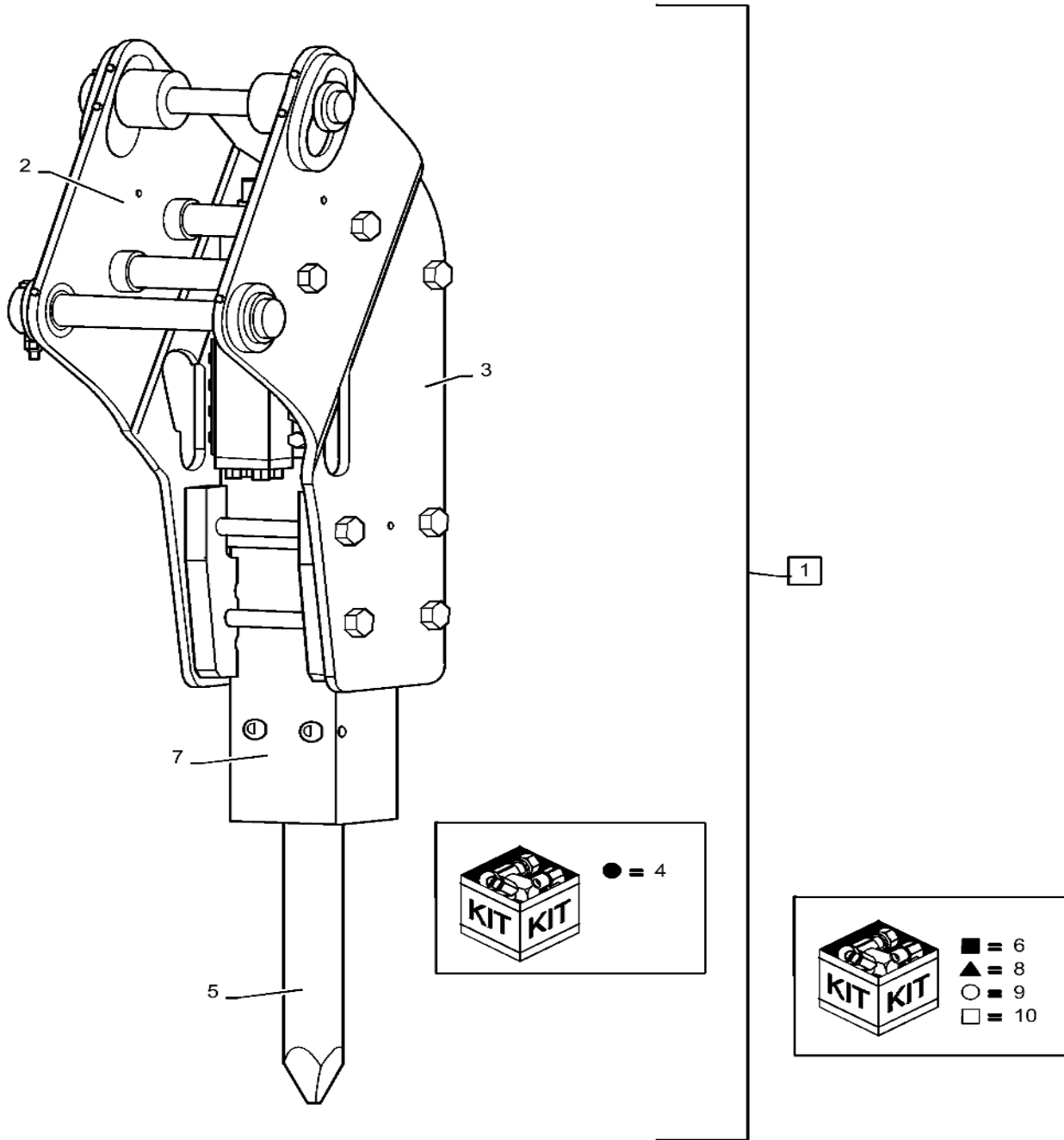
95.100.130

04

p1

2/2020

HAMMER - CH-6M, OFFSET MOUNT



Contact Ship Direct for Service Parts Questions

INDEX - INDICE - INDEX - ZAHLENVERZEICHNIS - INDICE - INDICE - INDHOLD - INHOUD

Number	Figure	Sequence	Ref.	Number	Figure	Sequence	Ref.
242459A1	35.736.AC		11	277217	05.100.02		101
244109A1	21.154.AG	01	3	277217	33.110.AT	02	5
244109A1	21.154.AG	01	3	277678A1	35.106.AO	01	5
245258A1	55.051.AJ		1	277678A1	35.106.AS	01	5
245466A1	95.100.150	01	14	277678A1	35.106.AS	02	6
248-2373	90.150.AW	01	22	277800A1	10.414.AC	01	1
250851A1	82.100.AF	03	1	278316A2	90.160.CF	01	2
251018A1	88.100.82	00	17	278328A1	55.513.AV	01	1
251018A1	95.100.100	01	1	278532A1	21.134.AH		10
252790A1	35.737.AA	02	7	278532A1	21.134.AH		10
254026A1	10.400.AY	01	7	278533A1	21.134.AH		8
255447A1	88.100.90	01	11	278533A1	21.134.AH		8
255447A1	88.100.90	10	4	278534A1	05.100.01		9
255605A1	88.100.90	01	15	278534A1	05.100.04	01	7
256341A1	55.512.CL	06	6	278534A1	21.103.AJ		3
256341A1	55.512.CL	10	4	278534A1	21.104.AP		7
256347A1	55.512.CL	06	4	278534A1	21.104.AP		7
256347A1	55.512.CL	08	2	278534A1	21.105.BC		3
256347A1	55.512.CL	10	2	279039A1	21.134.AH		11
256347A1	55.512.CL	12	2	279039A1	21.134.AH		11
256776A1	55.525.AK		8	279265A2	55.514.AV		1
257381A1	88.100.90	10	6	279482A1	88.100.90	12	5
257382A1	88.100.90	10	5	279482A1	90.114.BG	02	5
258613A1	55.512.CL	06	7	279482A1	90.156.AL		4
258613A1	55.512.CL	10	5	280250	88.100.35	38	8
258616A1	55.512.CL	06	5	280259	35.734.AA	01	3
258616A1	55.512.CL	08	4	281-14716	35.726.AF		12
258616A1	55.512.CL	10	3	281-18712	50.200.CG		3
258616A1	55.512.CL	12	3	281-54512	55.015.AB	02	3
259044A1	35.106.AO	01	6	281-54512	55.514.AA	01	2
260-1436	90.160.AX	01	15	281-54512	55.514.AA	02	2
260-1436	90.160.AX	02	15	282-16512	10.202.AK		4
260-1436	90.160.AX	03	15	282242A1	55.525.AK		5
260-16312	55.512.CL	07	13	282775A1	55.201.AH		1
260-16312	55.512.CL	09	12	283779A1	55.510.BM		1
260-16312	55.512.CL	11	14	283781A1	55.510.BM		2
260-16312	55.512.CL	13	13	2859528C	05.100.02		93
261-14310	55.404.BM	01	5	2859528C	05.100.04	02	
261-14310	55.404.CL		5	2859528C	55.201.AE		1
272217	21.112.AC	02	5	2859528R	05.100.02		93
272217	21.112.AC	02	5	2859528R	05.100.04	02	
272217	33.110.AT	01	5	2859528R	55.201.AE		1
272218	21.111.AC	03	3	286-56520	90.151.AK	01	2
272218	21.113.AF		6	286-56520	90.151.AK	02	2
272219	21.111.AC	02	23	29-1010	82.300.AN	02	5
272219	21.111.AC	02	23	29-1012	82.300.AN	01	5

INDEX - INDICE - INDEX - ZAHLENVERZEICHNIS - INDICE - INDICE - INDHOLD - INHOUD

Number	Figure	Sequence	Ref.	Number	Figure	Sequence	Ref.
47937216	95.100.100	02	3	48031690	95.100.100	06	5
47941457	95.100.100	01	4	48031694	95.100.100	06	6
47941457	95.100.100	02	4	48031696	95.100.100	06	4
47945698	95.100.080	03	2	48031702	95.100.100	06	7
47948404	95.100.080	03	3	48031705	95.100.100	06	3
47955703	35.357.AA		2	48032852	88.100.82	00	21
47955703	35.359.AC	02	6	48032852	95.100.100	05	1
47955703	55.512.CL	06	9	48033286	35.701.BR	07A	1
47955703	55.512.CL	07	16	48033938	95.100.130	05	2
47955703	88.100.35	00	28	48046062	35.701.AC	01A	1
47955703	90.108.AC	18	7	48048153	95.100.130	01	8
47955740	35.357.AA		2	48048153	95.100.130	02	8
47955740	35.359.AC	02	6	48048153	95.100.130	03	8
47955740	55.512.CL	06	9	48048153	95.100.130	04	8
47955740	55.512.CL	07	16	48048154	95.100.130	05	8
47955740	88.100.35	00	26	48048192	95.100.130	01	9
47955740	90.108.AC	18	7	48048192	95.100.130	02	9
47981838	95.100.100	01	5	48048192	95.100.130	03	9
47981838	95.100.100	02	5	48048192	95.100.130	04	9
47997571	35.703.AG	02	2	48048193	95.100.130	05	9
47997571	35.703.AG	03	2	48048246	95.100.130	01	10
48015733	95.100.130	01	1	48048246	95.100.130	02	10
48015734	95.100.130	02	1	48048246	95.100.130	03	10
48015736	95.100.130	03	1	48048246	95.100.130	04	10
48015737	95.100.130	04	1	48048248	95.100.130	05	10
48015738	95.100.130	01	3	48048280	95.100.130	01	7
48015738	95.100.130	02	3	48048280	95.100.130	02	7
48015738	95.100.130	03	3	48048280	95.100.130	03	7
48015738	95.100.130	04	3	48048280	95.100.130	04	7
48015738	95.100.140	01	4	48048280	95.100.130	05	7
48015740	95.100.130	01	3	48079963	84.910.AC	01A	6
48015740	95.100.130	02	3	48106428	88.100.55	03	2
48015740	95.100.130	03	3	48184267	95.100.120	02	1
48015740	95.100.130	04	3	484-6316	21.134.AI	01	2
48015740	95.100.130	05	3	484-6316	21.134.AI	01	2
48016448	55.302.AI		11	4897242	05.100.02		31
48016448	88.100.55	01	13	493-11039	55.100.BE		3
48030083	05.100.04	05	1	493-41020	21.134.AI	02	4
48031663	95.100.100	05	12	493-41020	90.110.AV	06	7
48031664	95.100.100	05	13	495-11028	35.724.AE	03	14
48031668	95.100.100	05	4	495-11047	55.518.AY	02	2
48031673	95.100.100	05	9	495-11081	35.355.AK	02	5
48031680	95.100.100	05	11	495-21038	90.150.AW	01	17
48031682	95.100.100	05	10	495-31022	55.404.BM	01	7
48031683	95.100.100	06	1	495-31022	55.404.CL		7
48031685	95.100.100	06	9	495-81227	84.100.AP	01	13

CLICK HERE TO **DOWNLOAD** THE COMPLETE MANUAL

- Thank you very much for reading the preview of the manual.
- You can download the complete manual from: www.heydownloads.com by clicking the link below



- Please note: If there is no response to **CLICKING** the link, please download this PDF first and then click on it.

CLICK HERE TO **DOWNLOAD** THE COMPLETE MANUAL