

All rights reserved by **CNHi**.

The information contained in this catalogue is intended to be of a general nature only. **CNHi** may at any time and from time to time, for technical or other necessary reasons, modify any of the details or specifications of the product described in this catalogue.

To be sure of getting accurate, detailed and up-to-date information, an intending buyer should consult his nearest **CNHi** dealer or distributor.

Single item numeration method used in this catalogue may not be used without written consent from **CNHi**.

CLICK HERE TO **DOWNLOAD** THE COMPLETE MANUAL

- Thank you very much for reading the preview of the manual.
- You can download the complete manual from: www.heydownloads.com by clicking the link below



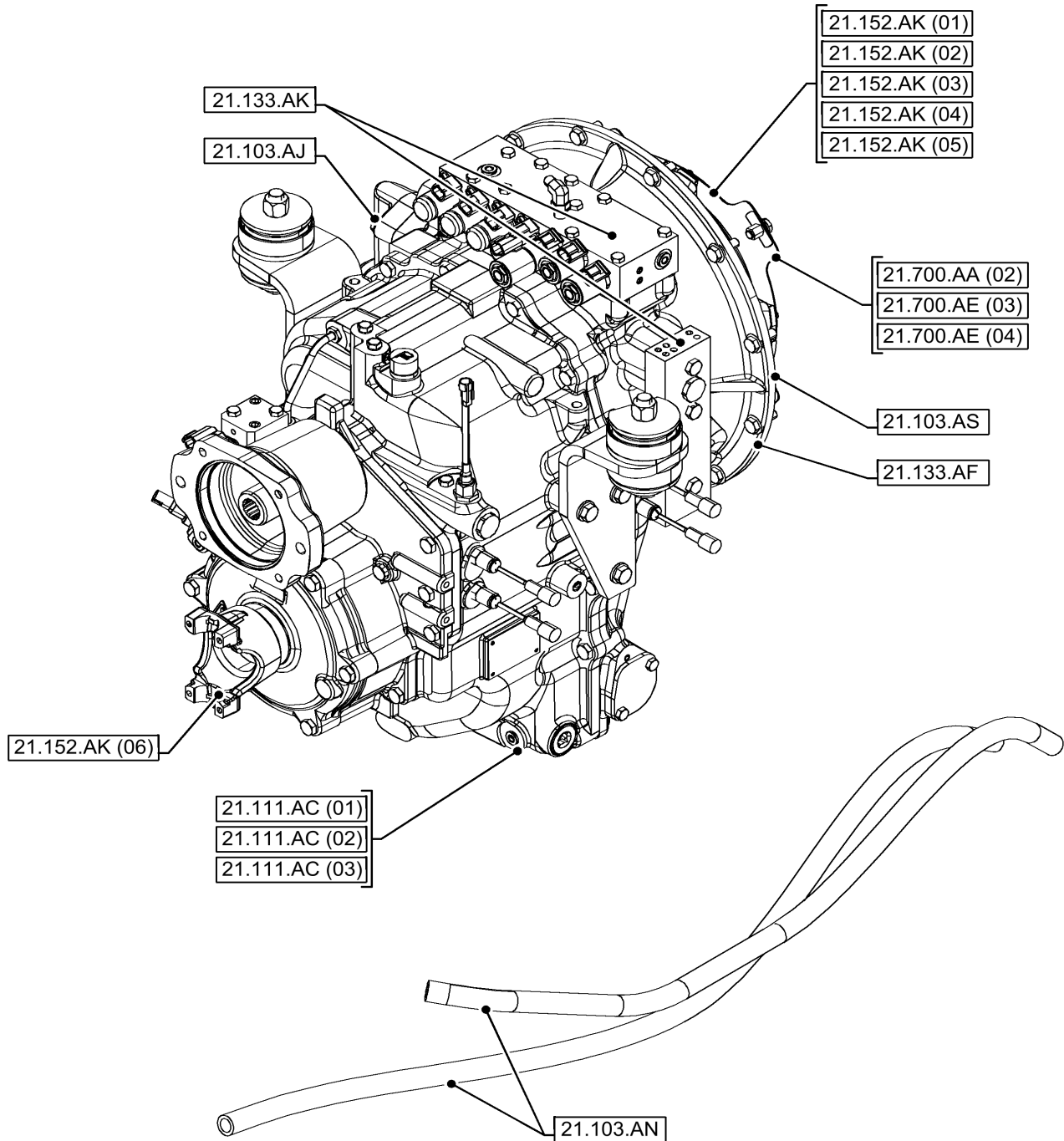
- Please note: If there is no response to CLICKING the link, please download this PDF first and then click on it.

CLICK HERE TO **DOWNLOAD** THE COMPLETE MANUAL

TABLE OF CONTENTS

55.525.AK		FOOT, THROTTLE
55.526.AF	01	VAR - 423058 - TRANSMISSION, POWERSHUTTLE, RIDE CONTROL SWITCH
55.526.AF	01	VAR - 423059 - TRANSMISSION, POWERSHUTTLE, RIDE CONTROL SWITCH
55.526.AF	02	VAR - 747873 - RIDE CONTROL SWITCH
55.526.AG	01	TRANSMISSION, POWERSHUTTLE, RIDE CONTROL, HARNESS
55.526.AG	01	VAR - 423059 - TRANSMISSION, POWERSHUTTLE, RIDE CONTROL, HARNESS
55.526.AG	02	VAR - 423058, 423059, 423060, 423061, 423062 - RIDE CONTROL, HARNESS
55.640.AG	01	6-SPOOL, 7-SPOOL, PILOT CONTROLS, ELECTRONIC CONTROL UNIT
55.640.AG	02	7-SPOOL, 8-SPOOL, PILOT CONTROLS, ELECTRONIC CONTROL UNIT
82.000.00		SECTION INDEX - FRONT LOADER AND BUCKET
82.100.AA		ARM, PIVOT, BUSHING
82.100.AF	01	FRONT, LOADER ARM
82.100.AF	02	VAR - 423003 - LOADER ARM, LINK AND GAUGE
82.100.AF	03	VAR - 742433 - LOADER ARM, LINK AND GAUGE
82.100.BG		ARM, PIVOT, PIN
82.300.AB	01	VAR - 423003 - BUCKET, 1.25 YD - 93INCH/2362MM LL, BUSHING
82.300.AB	02	VAR - 423004 - BUCKET, 1.5 YD - 96INCH/2438MM LL, BUSHING
82.300.AN	01	VAR - 423003 - BUCKET, 1.25 YD - 93INCH/2362MM LL
82.300.AN	02	VAR - 742433 - BUCKET, 1.2 YD - 93INCH/2362MM 4-IN-1
82.300.AN	03	VAR - 423004 - BUCKET, 1.5 YD - 96INCH/2438MM LL
82.300.AX	01	VAR - 423049 - BUCKET, QUICK COUPLER
82.300.AX	02	VAR - 423049 - BUCKET, QUICK COUPLER
82.300.AX	03	VAR - 423049 - BUCKET, QUICK COUPLER
84.000.00	01	SECTION INDEX - BOOM, STANDARD DIPPER AND BUCKET
84.000.00	02	SECTION INDEX - BOOM, EXTENDABLE DIPPER AND BUCKET
84.100.AB	01	VAR - 423066 - BUCKET, UNIVERSAL 12INCH/305MM
84.100.AB	02	VAR - 423068 - BUCKET, UNIVERSAL 18INCH/457MM
84.100.AB	03	VAR - 423069 - BUCKET, UNIVERSAL 24INCH/610MM
84.100.AB	04	VAR - 423070 - BUCKET, UNIVERSAL 30INCH/762MM
84.100.AB	05	VAR - 423071 - BUCKET, UNIVERSAL 36INCH/914MM
84.100.AB	06	VAR - 423072 - BUCKET, HIGH CAPACITY 24INCH/610MM
84.100.AB	07	VAR - 423065 - BUCKET, HIGH CAPACITY 30INCH/762MM
84.100.AE	01	VAR - 423066 - BUCKET, UNIVERSAL 12INCH/305MM, TEETH
84.100.AE	02	VAR - 423068 - BUCKET, UNIVERSAL 18INCH/457MM, TEETH

PICTORIAL INDEX - TRANSMISSION, SEMI-POWERSHIFT



00.000.35

06

p1

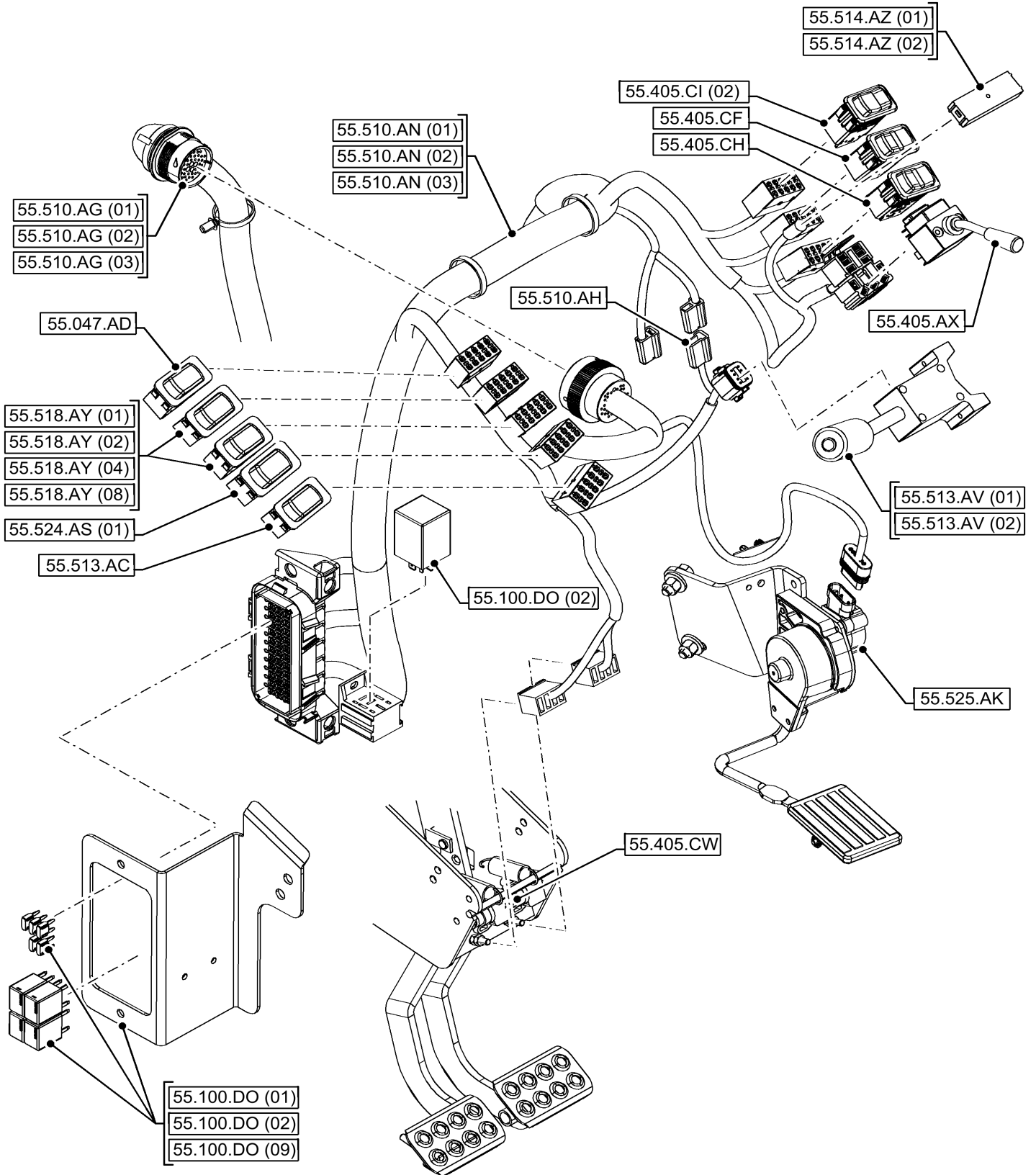
1/2019

PICTORIAL INDEX - HYDRAULIC SYSTEMS

REF FN	PART NUMBER	YR/SN	QTY DESCRIPTION

590SN-BACKHOE LOADER - TIER 3 NRC

PICTORIAL INDEX - ELECTRICAL SYSTEMS



00.000.90

04

p1

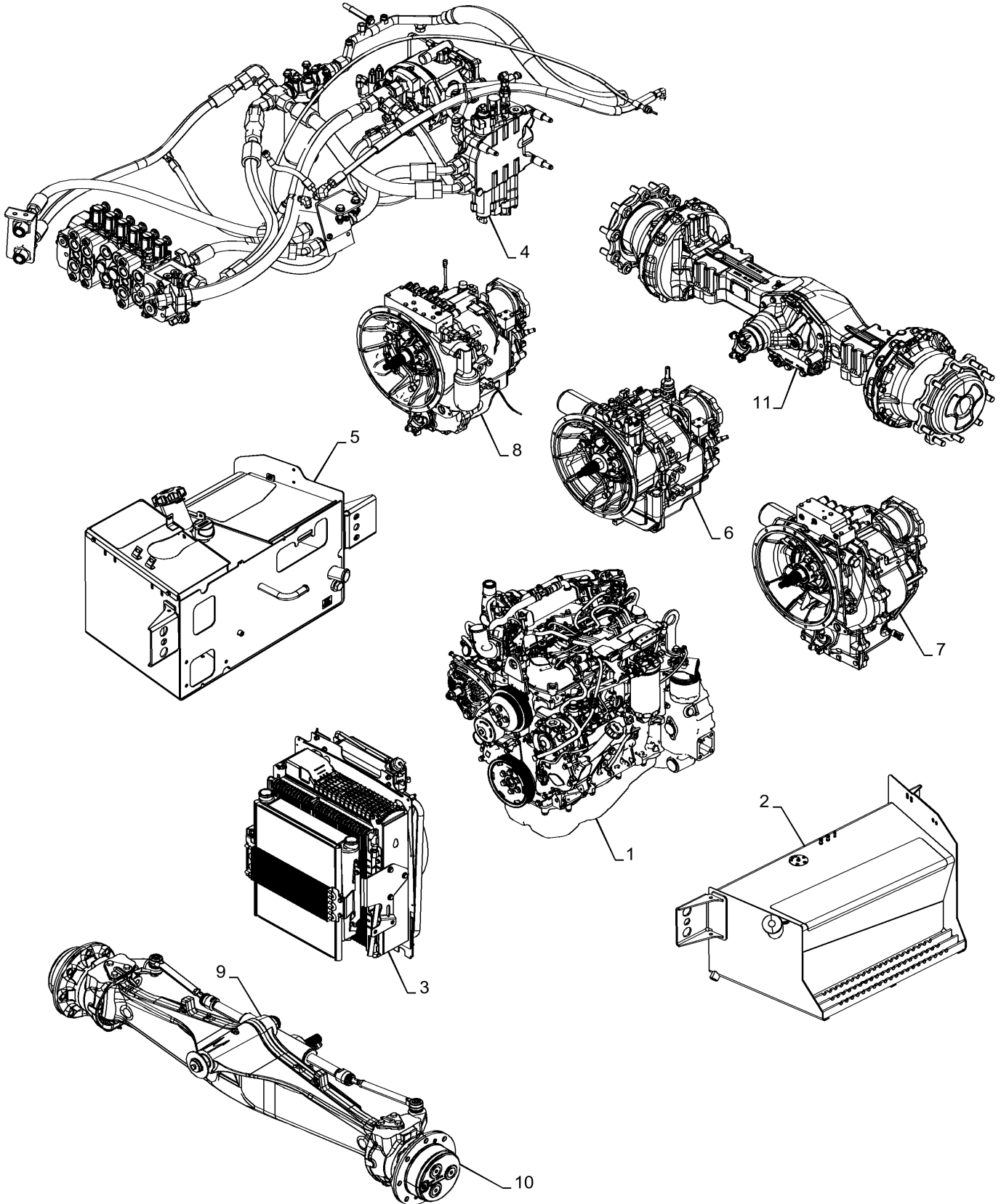
1/2019

PICTORIAL INDEX - PLATFORM, CAB, BODYWORK AND DECALS

REF FN	PART NUMBER	YR/SN	QTY	DESCRIPTION
---------------	--------------------	--------------	------------	--------------------

590SN-BACKHOE LOADER - TIER 3 NRC

CAPACITIES



ENGINE

REF FN	PART NUMBER	YR/SN	QTY DESCRIPTION
1	84498233		1 ENGINE 82kW, 4 Cylinders, W/ Turbocharger ASSY, 4 Cylinders, Tier3 (F4HE9484C*J100 / 5801550765)

590SN-BACKHOE LOADER - TIER 3 NRC

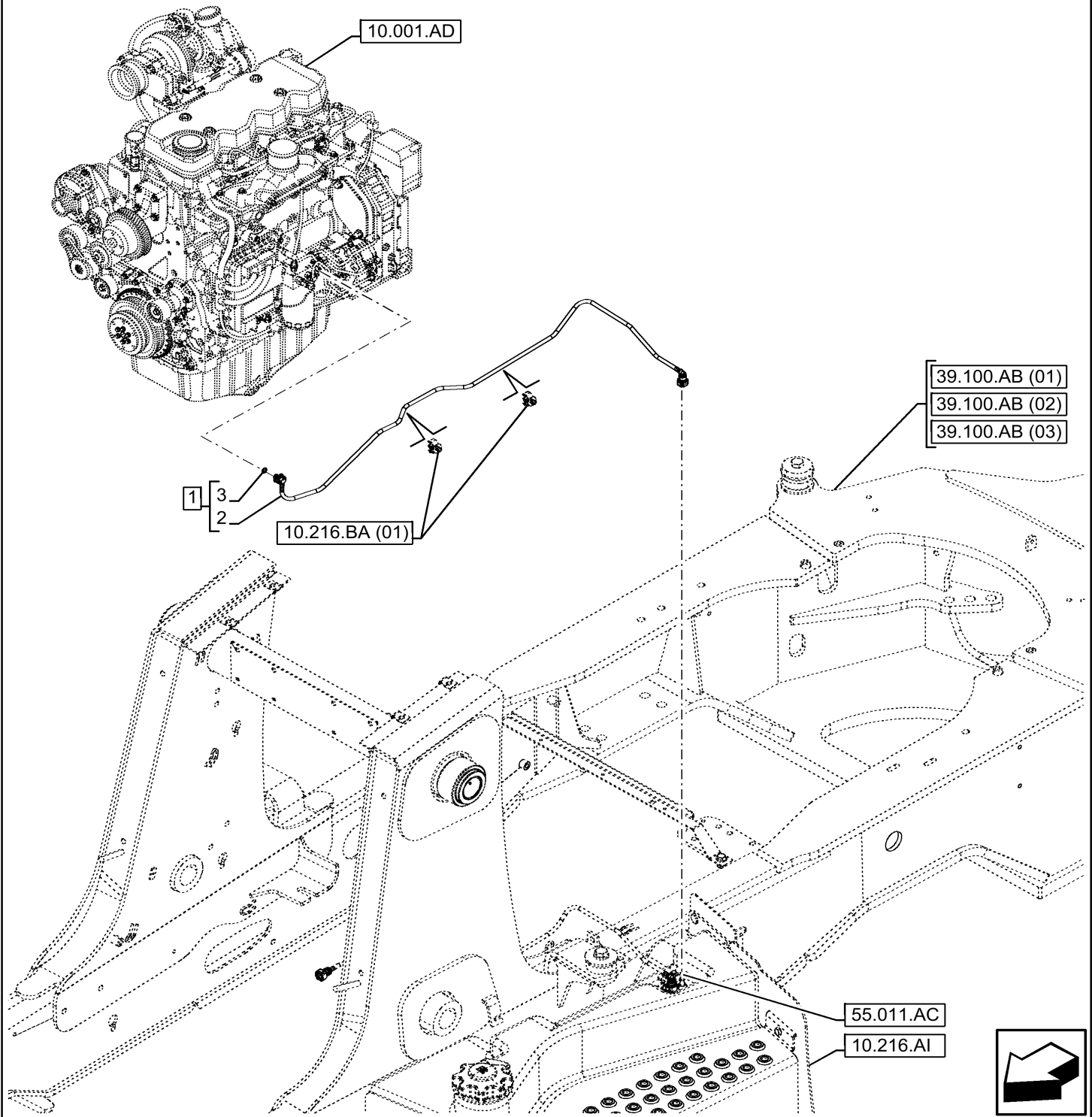
10.216.BA

02

p1

1/2019

FUEL TANK, LINES

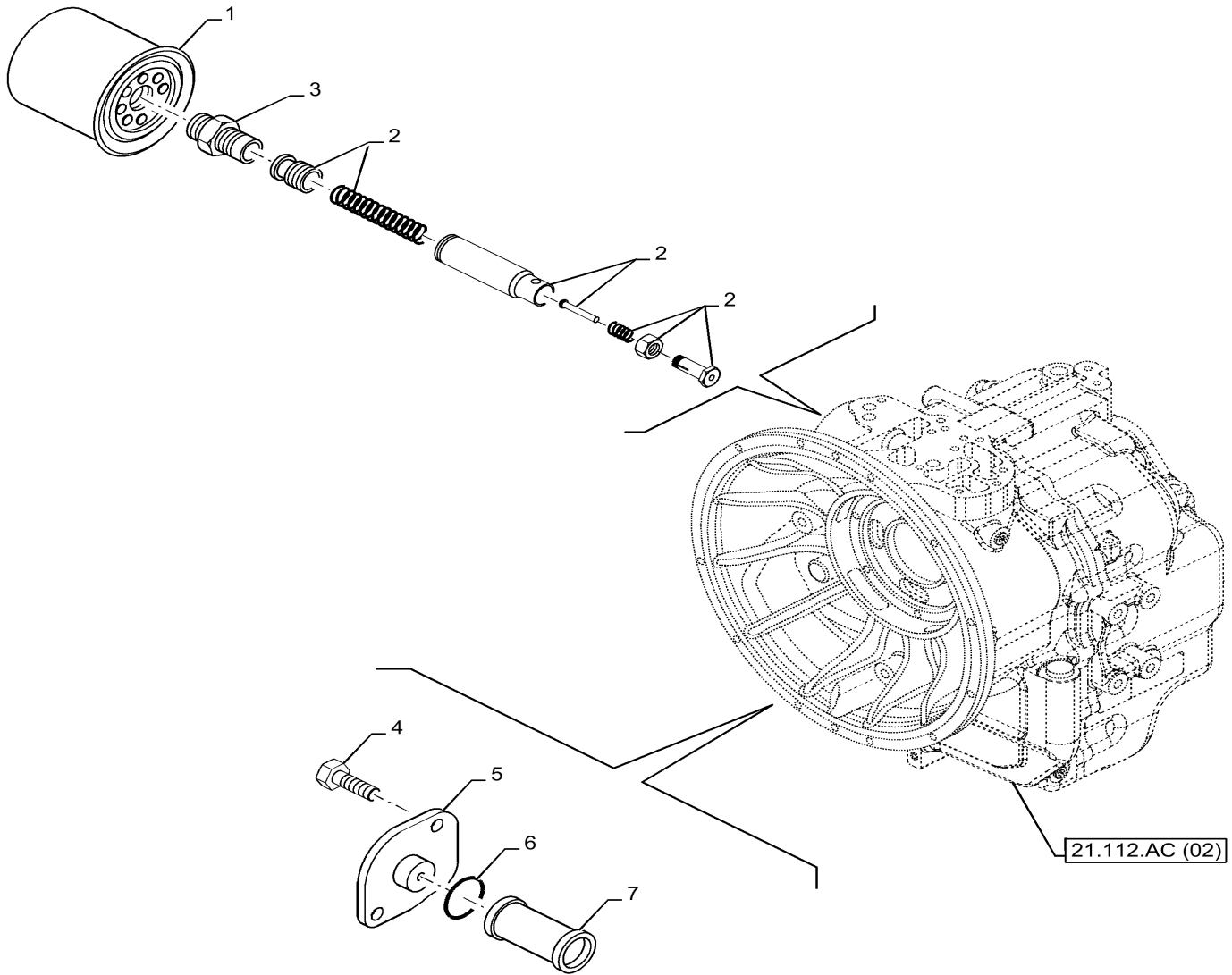


VAR - 423000, 423001, 442082, 747853, 747854, 747855 - RADIATOR, EXPANSION TANK

REF FN	PART NUMBER	YR/SN	QTY DESCRIPTION
1	87674844		1 RESERVOIR, COOLANT E 3L ASSY, Incl 2, 3
2	NSS		1 NOT SOLD SEPARAT Bottle, Deaeration, Incl in 1
3	85803019		1 RADIATOR CAP
4	87632870		1 BRACKET Bottle Retaining
5	895-15008		2 WASHER 9mm ID x 20mm OD x 1.6mm Thk
6	614-8025		7 BOLT Hex, M8 x 1.25 x 25mm, Cl 8.8, Full Thd
7	832-10408		2 NUT M8 x 1.25, Cl 8.8
8	87548813		1 BRACKET Support, LH
9	87548814		1 BRACKET Support, RH

590SN-BACKHOE LOADER - TIER 3 NRC

VAR - 423058 - TRANSMISSION, POWERSHUTTLE, OIL FILTER, 2WD



21.112.AC (02)



Figure is Valid with Industrial Var. 423058

21.111.AC

03

p1

1/2019

VAR - 423060, 423061 - TRANSMISSION, SEMI-POWERSHIFT, OIL, DIPSTICK

REF FN	PART NUMBER	YR/SN	QTY DESCRIPTION
1	84329368		1 TUBE Semi-Powershift Transmission, Dipstick
2	87601345		1 DIPSTICK 824mm L Transmission, L=824mm
3	272218		1 O-RING 0.103" Thk x 1.424" ID, -127, CI 5, 75 Duro
4	D35908		1 CLAMP 1" Clamping pipe Oil Dipstick
5	87687101		1 WASHER 10.65mm ID x 31mm OD x 3.3mm Thk
6	87655042		2 SPECIAL WASHER 8.8mm ID x 17.5mm OD x 2.2mm Thk
7	43127		2 BOLT Hex, M8 x 1.25 x 25mm, CI 8.8

590SN-BACKHOE LOADER - TIER 3 NRC

VAR - 423060, 423061 - TRANSMISSION, SEMI-POWERSHIFT, TRANSMISSION CONTROL

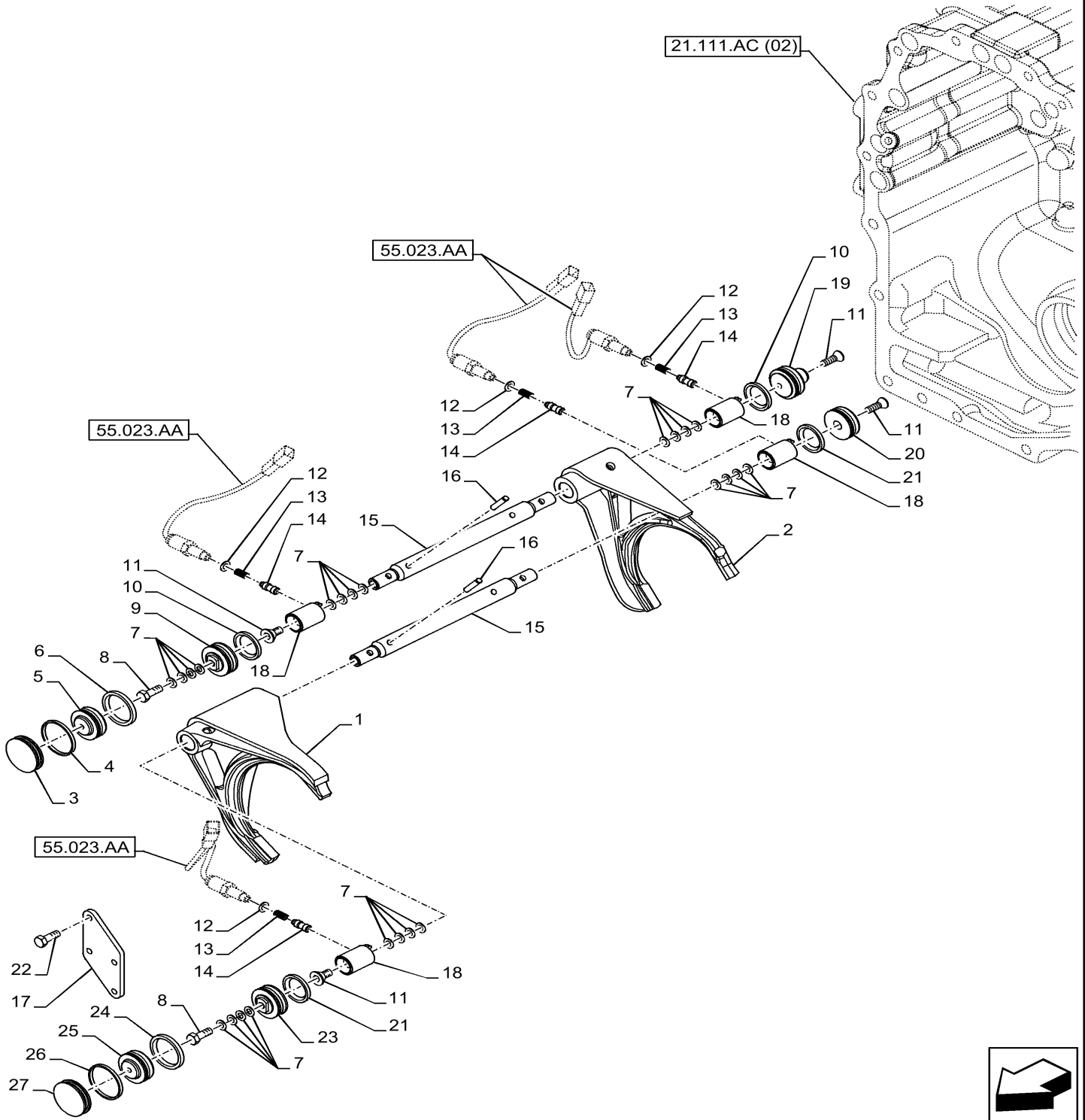


Figure is Valid with Industrial Var. 423060, 423061

21.134.AM

03

p1

1/2019

VAR - 423059 - TRANSMISSION, POWERSHUTTLE, CONTROL VALVE, 4WD

REF FN	PART NUMBER	YR/SN	QTY DESCRIPTION
1	321428A1		1 HOUSING 4WD Valve
2	366910A1		1 GASKET 4WD Valve
3	190431A1		1 VALVE Powershuttle Transmission, 4WD
4	814-8060		3 BOLT Hex, M8 x 1.25 x 60mm, CI 8.8
5	181100A1		1 PLUG 1/8 CAS x 8
6	934667R1		1 SEALING RING M10 x 14 x 1 Copper Washer

590SN-BACKHOE LOADER - TIER 3 NRC

21.154.AJ

01

p1

1/2019

VAR - 423058 - TRANSMISSION, POWERSHUTTLE, INPUT SHAFT, 2WD

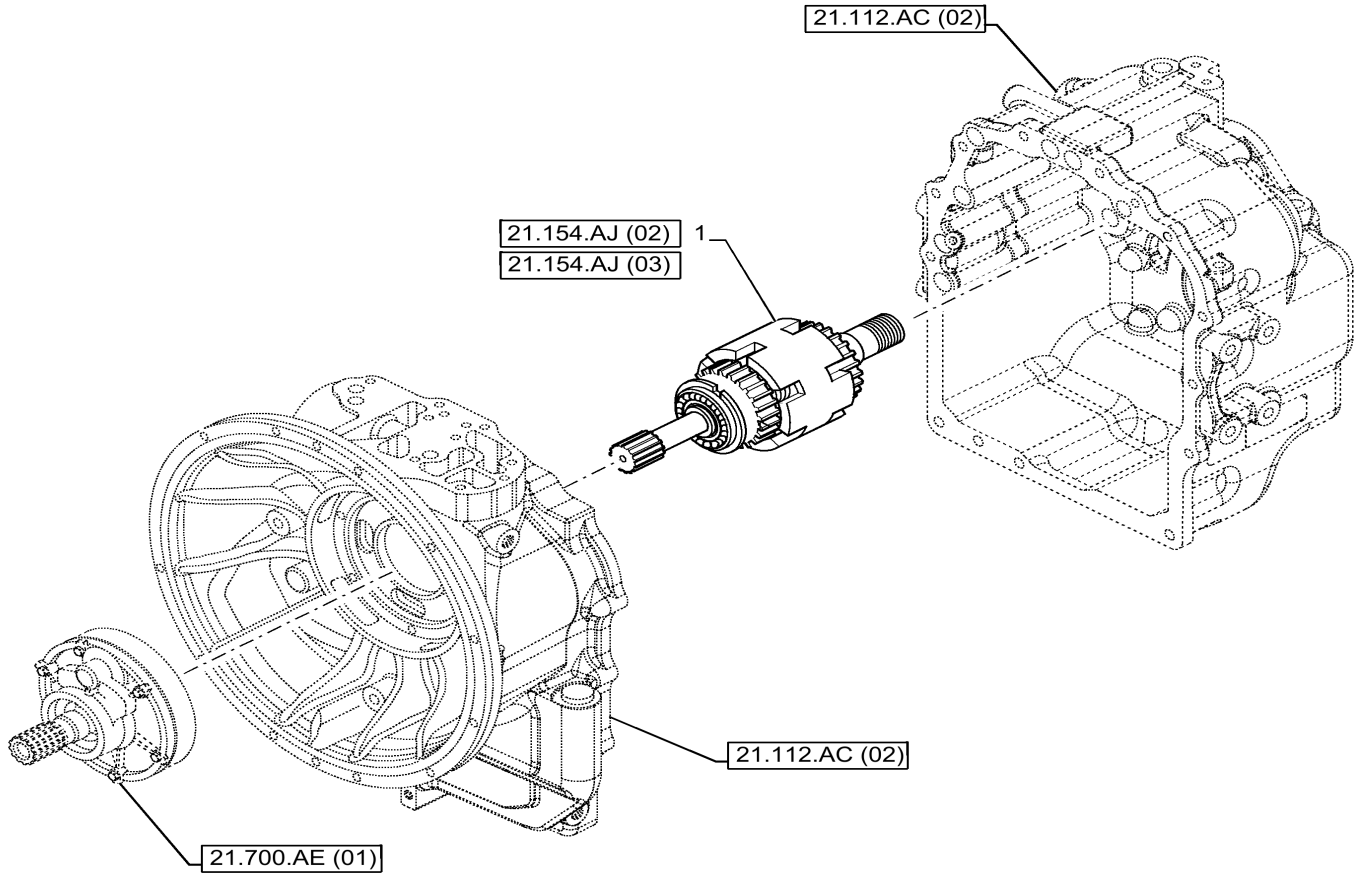


Figure is Valid with Industrial Var. 423058

VAR - 423062 - TRANSMISSION, POWERSHIFT, PRIMARY SHAFT

REF FN	PART NUMBER	YR/SN	QTY DESCRIPTION
1	ST205A		2 BEARING, BALL 35 mm ID x 72 mm OD x 17 mm
2	358636A1		1 SHAFT 27T Idler Drawing Later
3	87705461		2 SEALING RING D40
4	87705462		1 BALL BEARING 40 mm ID x 90 mm OD x 23 mm
5	87705463		1 GEAR 45T Powershift Transmission, Z=45
6	800-1150		1 SNAP RING M50, Ext
7	358640A1		2 WASHER
8	358633A1		1 BEARING, NEEDLE 50mm ID x 58mm OD x 25mm W Roller
9	87705464		1 GEAR 28T Powershift Transmission, Z=28
10	181116A1		1 RING, LOCKING 146.6mm ID x 2.5mm Thk
11	310519A1		2 PLATE Clutch Backing
12	87705465		1 CLUTCH OVERHAUL KIT Powershift Transmission, 2nd and 3rd Speed
13	87705466		1 THRUST WASHER Powershift Transmission
14	181111A1		1 RING, LOCKING 47.8mm ID x 1.5mm Thk RW55
15	181161A1		1 PLATE, THRUST Pressure
16	358637A1		1 SPRING Piston Return
17	358641A1		1 TRANSMISSION SLEEVE Lube
18	358644A1		1 PISTON Clutch
19	358643A1		1 SEALING RING 126.83mm ID x 137mm OD x 3.25mm Thk
20	358642A1		1 SEALING RING
21	181108A1		2 SPLIT PIN 3mm OD x 8mm L D3x8
22	87701779		1 RIVET 7mm OD
23	87705468		1 SHAFT 58/17T Powershift Transmission, Incl 3, 22, 25, 26

590SN-BACKHOE LOADER - TIER 3 NRC

VAR - 423058, 423059 - TRANSMISSION, POWERSHUTTLE, OIL PUMP, COMPONENTS

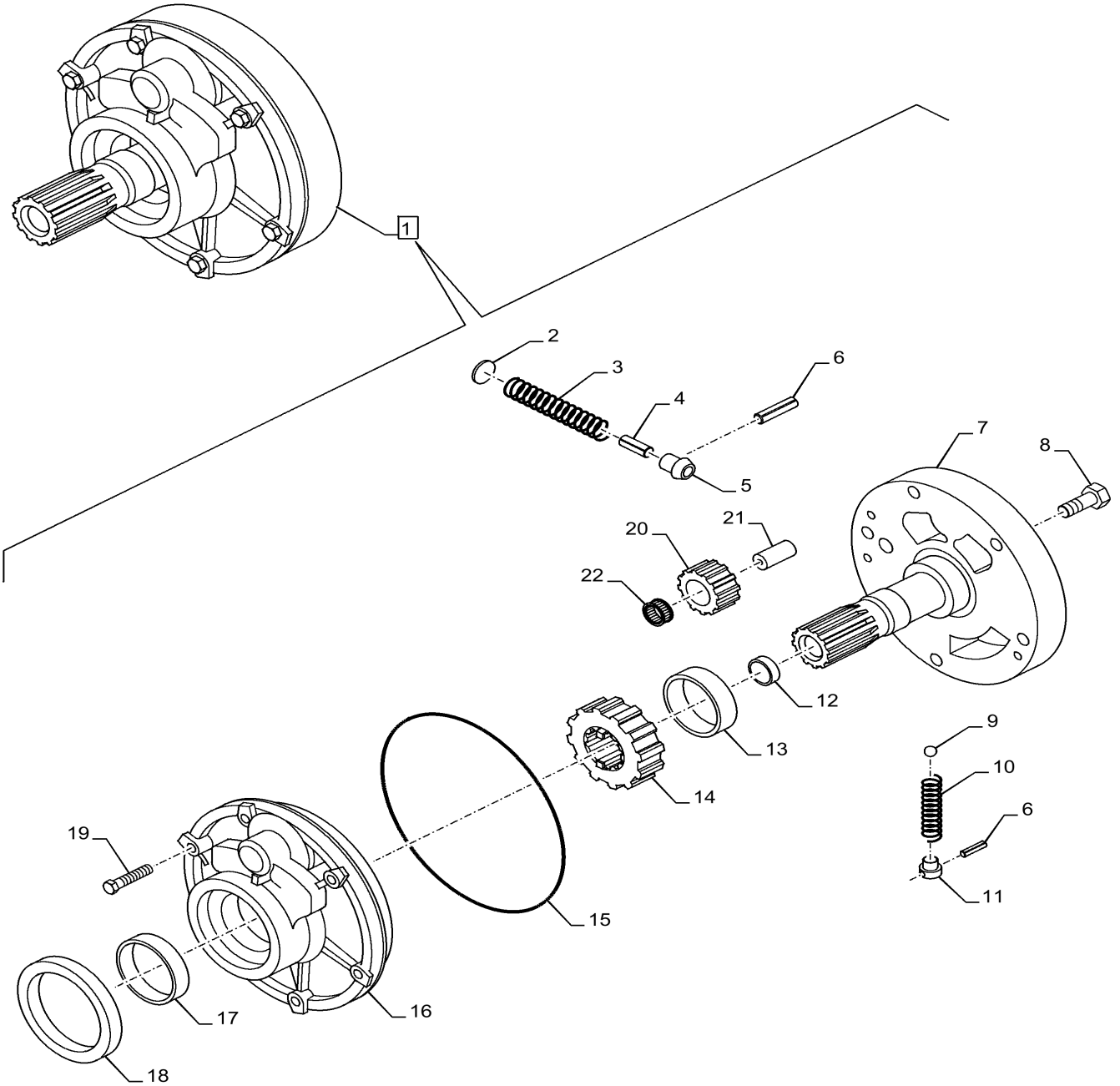


Figure is Valid with Industrial Var. 423058, 423059

25.000.00

p1

1/2019

SECTION INDEX - FRONT AXLE SYSTEM 4WD

REF FN	PART NUMBER	YR/SN	QTY	DESCRIPTION
---------------	--------------------	--------------	------------	--------------------

590SN-BACKHOE LOADER - TIER 3 NRC

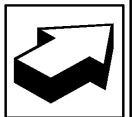
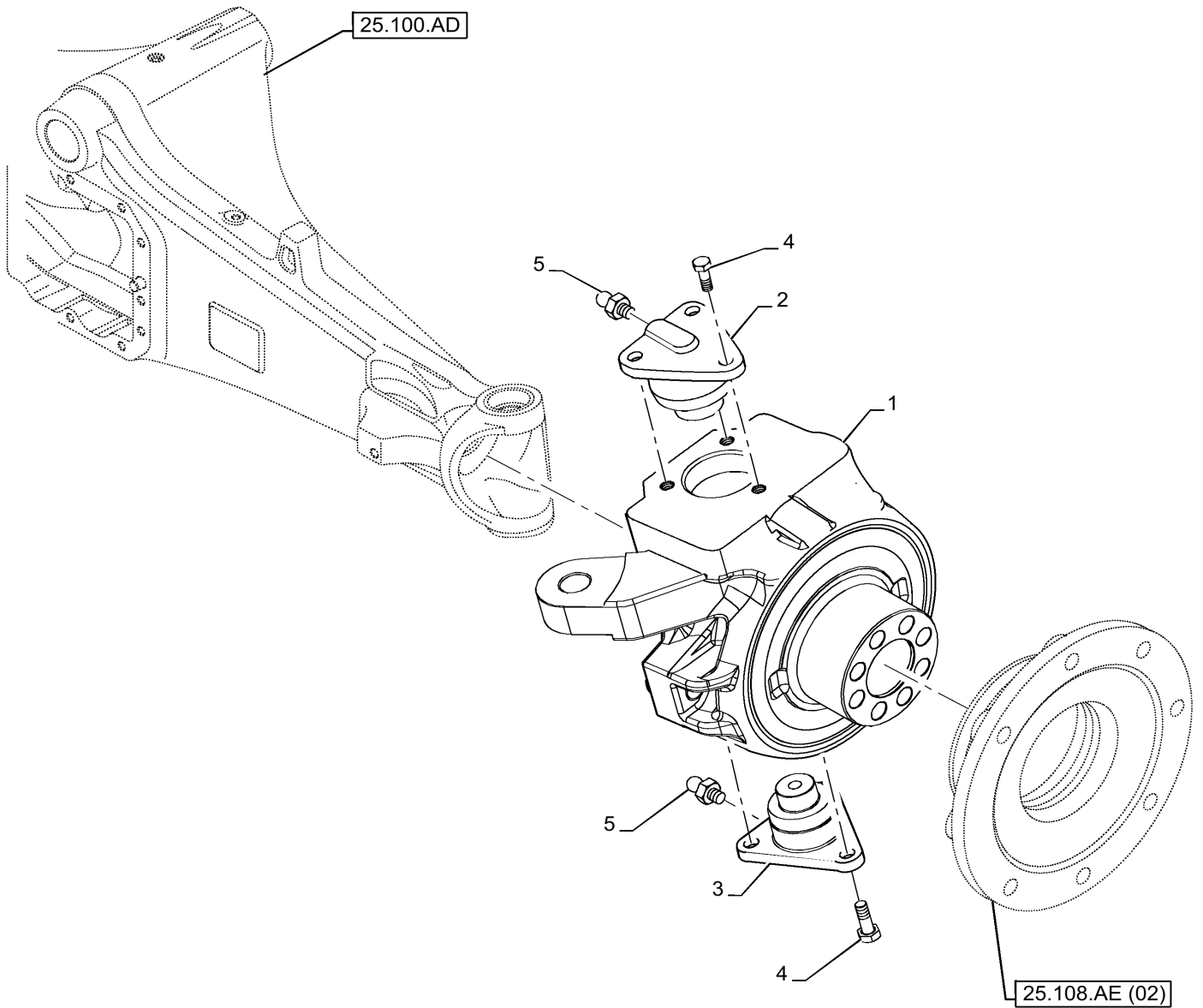
25.108.AG

02

p1

1/2019

FRONT AXLE, STEERING KNUCKLE, PIN, 4WD



27.100.AJ

01

p1

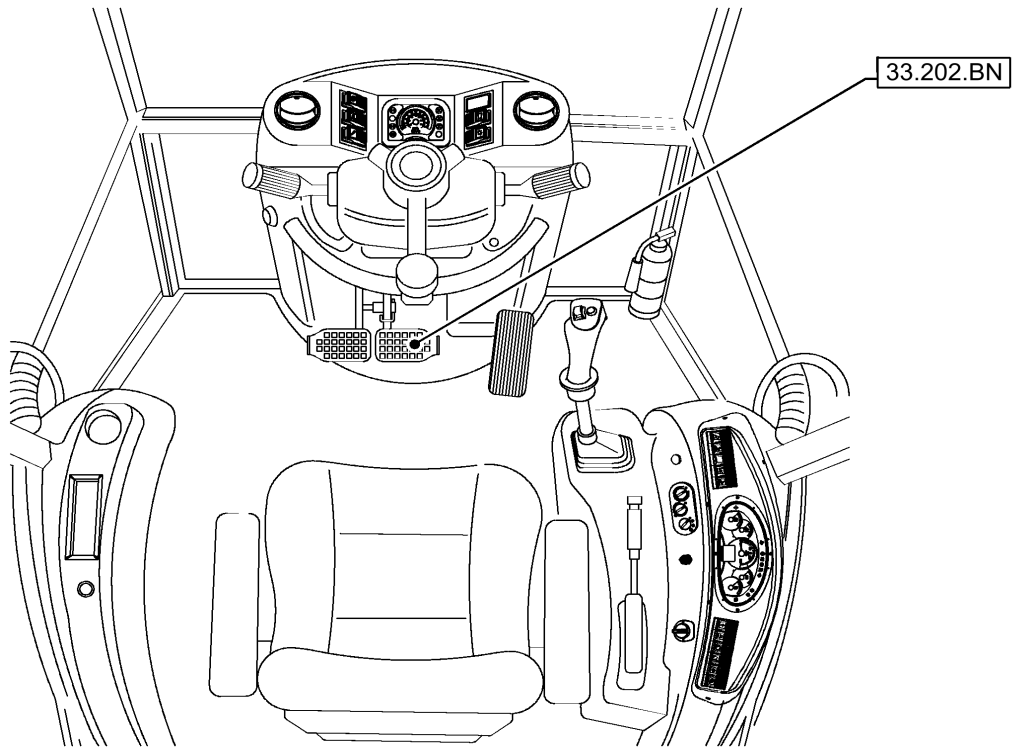
1/2019

REAR AXLE, HALF SHAFT, 2WD

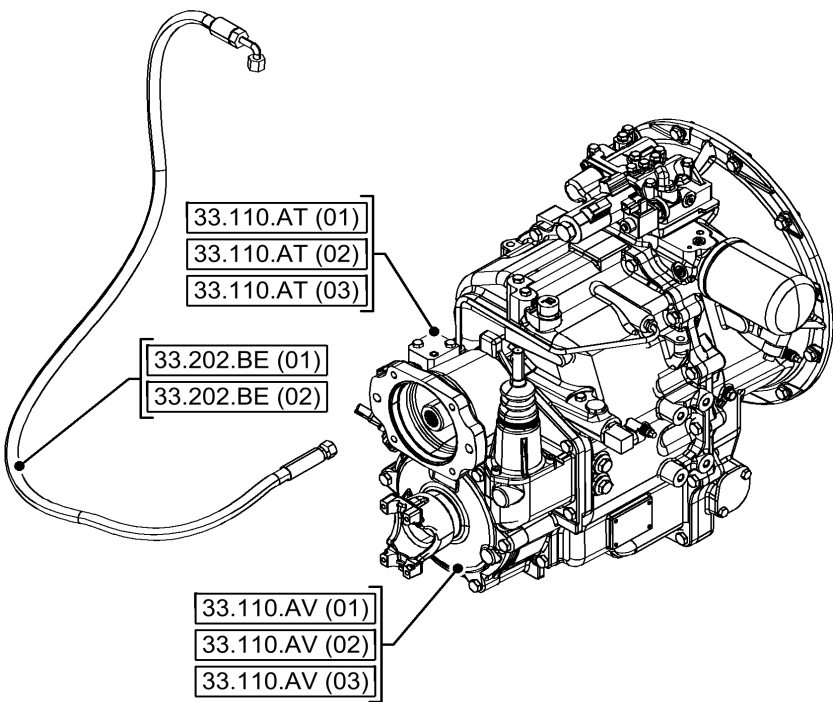
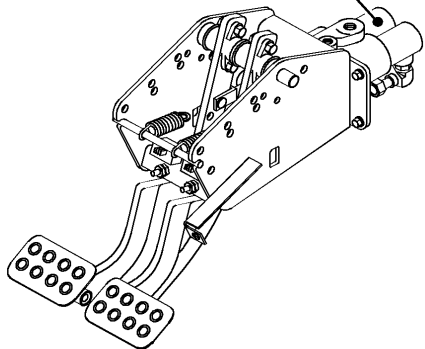
REF FN	PART NUMBER	YR/SN	QTY DESCRIPTION
1	87693489		1 DRIVE SHAFT 88,9mm Dia x 239.2mm L, 16T Rear, 40mm Spline
2	D137626		2 CLAMP 30.175mm D Clamping Pipe
3	9637611		4 SCREW Hex Flng, 5/16" - 24 x 3/4"

590SN-BACKHOE LOADER - TIER 3 NRC

SECTION INDEX - BRAKES & CONTROLS



33.202.AR

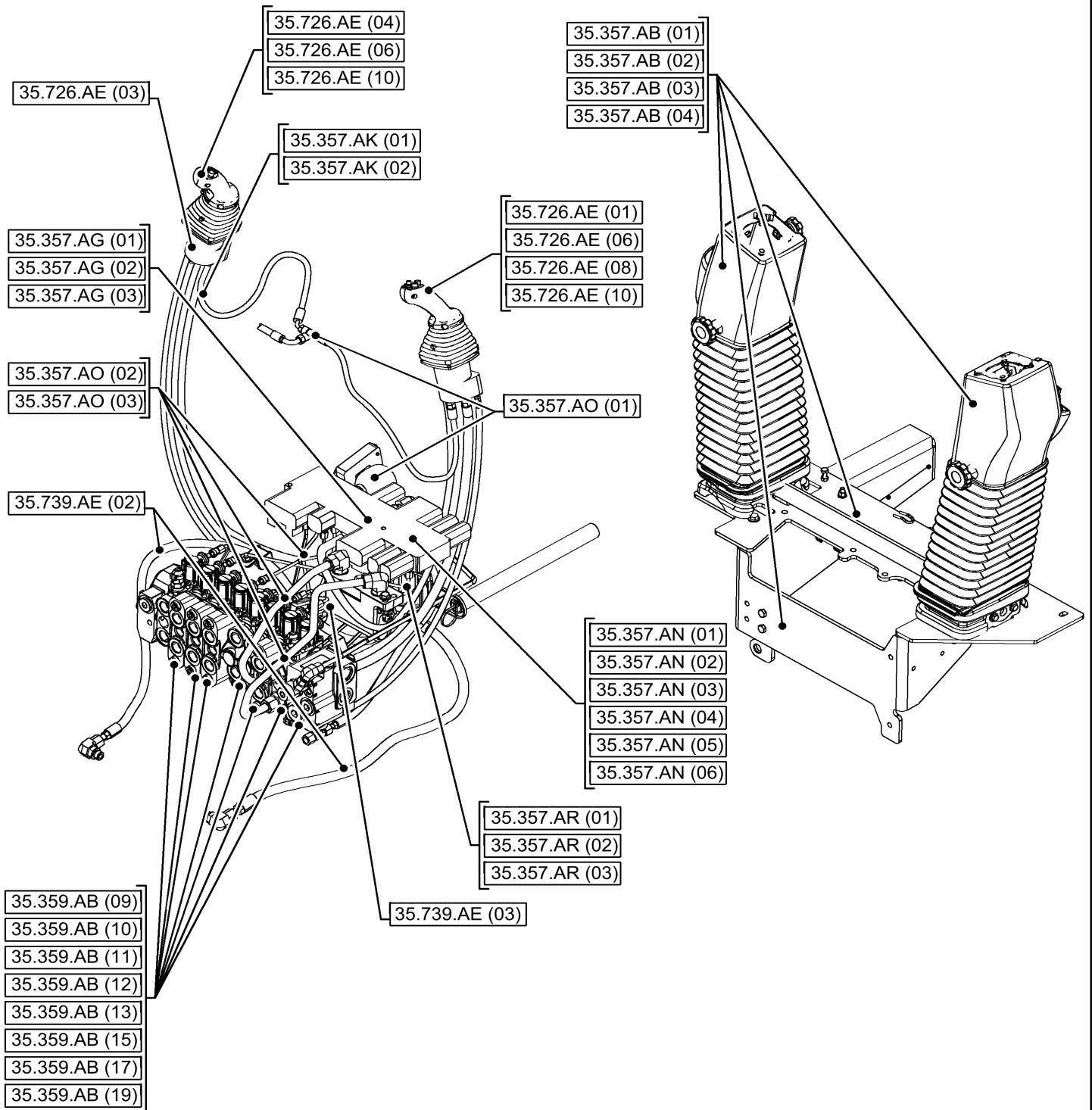


BRAKE, PEDAL

REF FN	PART NUMBER	YR/SN	QTY DESCRIPTION
1	614-10025		1 BOLT Hex, M10 x 1.5 x 25mm, CI 8.8
2	D140035		1 SHAFT 180mm L Lever Pivot
3	D124529		2 SPACER 19.5mm ID x 35mm OD x 12mm Thk Bracket Shaft
4	87655047		4 SPECIAL WASHER 21.25mm ID x 38.10mm OD x 4.20mm Thk
5	832-10408		4 NUT M8 x 1.25, CI 8.8
6	A77310		4 SUPPORT 0.754" ID x 1.375" OD x 0.81" Pedal Shaft
7	230973A1		2 SPRING Extension, 23.876mm OD x 93.47mm L Brake Return
8	814-8035		4 BOLT Hex, M8 x 1.25 x 35mm, CI 8.8
9	138-328		1 LOCK PIN 5/16" x 2 1/2", Slotted
10	D124530		1 PIN 15.85mm OD x 111mm L Brake Pedal Lock
11	87642364		1 PEDAL Brake LH
12	87642365		1 PEDAL Brake RH
13	87655046		1 SPECIAL WASHER 10.65mm ID x 23mm OD x 2.2mm Thk
14	832-10410		1 NUT M10 x 1.5, CI 8

590SN-BACKHOE LOADER - TIER 3 NRC

SECTION INDEX - HYDRAULIC SYSTEMS



35.300.AB

p1

1/2019

VAR - 423000, 423001, 442082, 747853, 747854, 747855 - OIL COOLER

REF FN	PART NUMBER	YR/SN	QTY DESCRIPTION
1	87441876		1 OIL COOLER
2	895-11008		4 WASHER 9mm ID x 16mm OD x 1.6mm Thk
3	614-8012		4 BOLT Hex, M8 x 1.25 x 12mm, Cl 8.8, Full Thd

590SN-BACKHOE LOADER - TIER 3 NRC

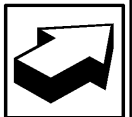
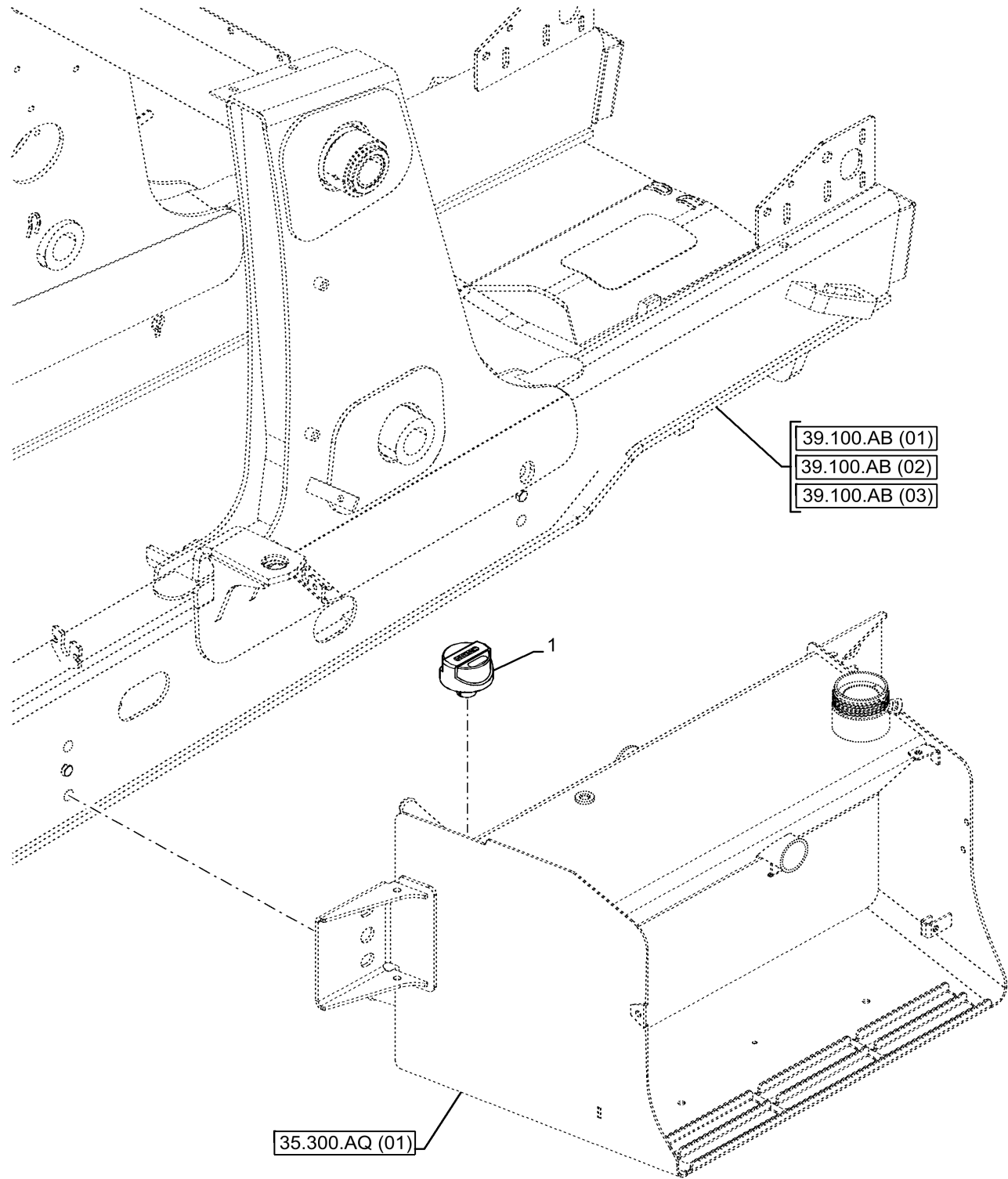
35.300.BE

02

p1

1/2019

HYDRAULIC OIL RESERVOIR, BREATHER



35.357.AB

03

p1

1/2019

VAR - 423078, 747669 - BACKHOE ARM, PILOT CONTROL, STRUCTURE

REF FN	PART NUMBER	YR/SN	QTY DESCRIPTION
1	87309924		1 BOOT Pilot Control Tower Cover, LH
2	87309923		1 BOOT Pilot Control Tower Cover, RH
3	336371A1		2 PIN 4.88mm OD x 14.23mm L
4	87655046		4 SPECIAL WASHER 10.65mm ID x 23mm OD x 2.2mm Thk
5	L18331		2 CABLE TIE 375.9mm L, Nylon, Black
6	87310085		2 SELF-TAP SCREW HWH, M10 x 25.4mm
7	87565604		2 NUT 0.250" ID
8	87307656		1 GUARD
9	833-40406		2 NUT M6, U
10	87608777		8 BOLT Hex, M6 x 30, Cl. 10.9 M6 x 30
11	D148962		1 WASHER 12.7mm ID x 38.1mm OD x 1.19mm Thk
12	87440381		1 SPACER 11.1mm ID x 19.05mm OD x 9.5mm Thk
13	87435372		2 RETAINING PLATE 83mm ID, 103mm L Boot Mounting
14	814-10055		1 BOLT Hex, M10 x 1.5 x 55mm, Cl 8.8
15	496-81018		1 WASHER 0.521" ID x 2" OD x 0.108 Thk, ZND
16	87450914		2 BOLT Hex, M10 x 40, Cl. 8.8 M10 x 40 Cl 8.8 ZND
17	87431301		1 SHIELD
18	87431300		1 SHIELD
19	781-24613		8 SELF-TAP SCREW Hex Flg, M6 x 1 x 13mm
20	87437688		2 KNOB Lateral Adjustment
21	87433008		1 RUBBER SEAL 183mm L Quick Edge LH Outer
22	87433007		1 RUBBER SEAL 275mm L Quick Edge RH Outer
23	87433006		1 RUBBER SEAL 428mm L Quick Edge LH Inner

590SN-BACKHOE LOADER - TIER 3 NRC

35.357.AN

04

p1

1/2019

7-SPOOL, PRESSURE CONTROL VALVE, W/ PILOT CONTROLS

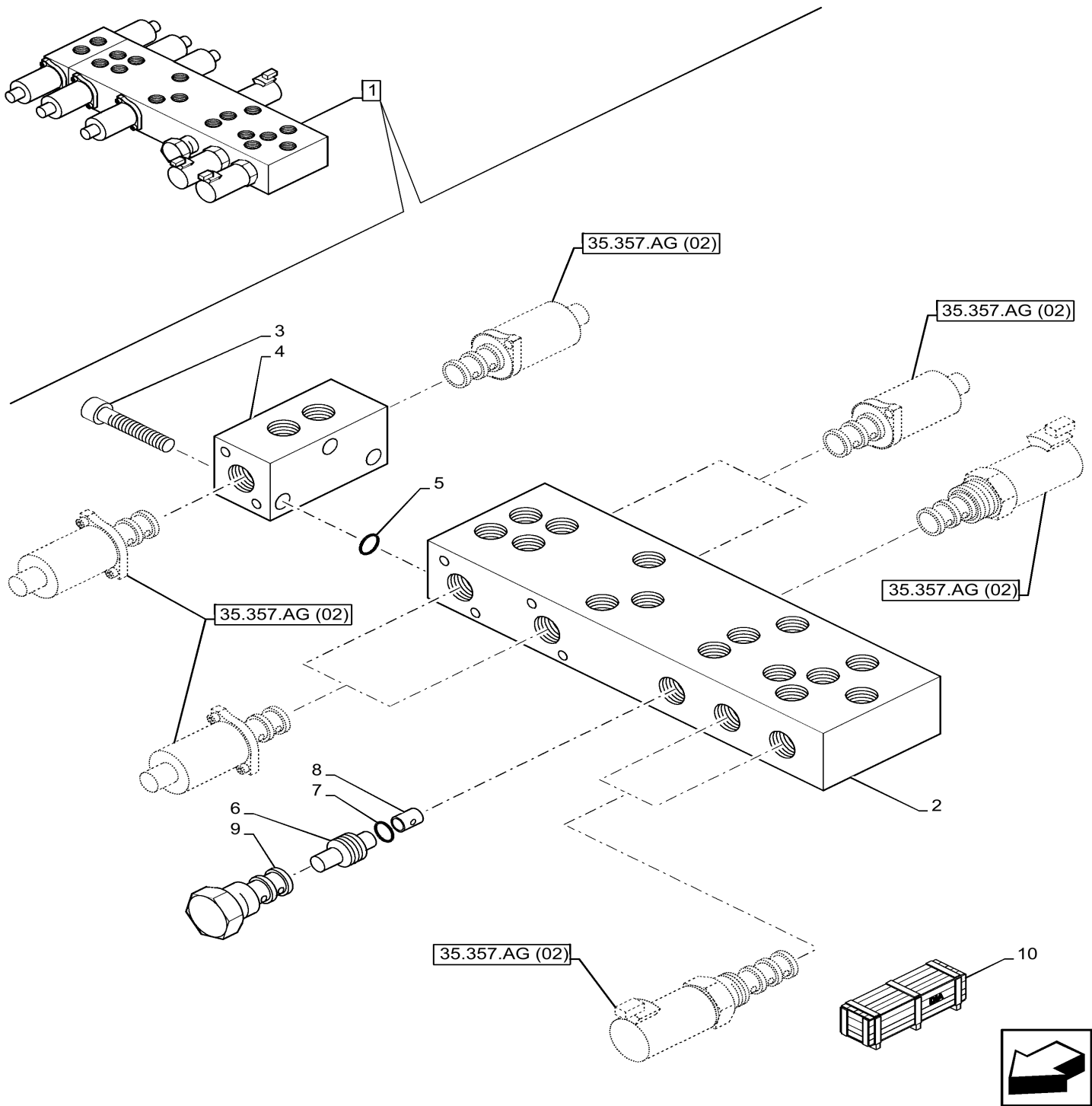


Figure is Valid when Commercial Var. 423075 STD Backhoe, 423076 Extendahoe, 423078 Pilot Controls W/Heavy Lift, 423083 AUX HYDS, Combo Direct - Manual Controls, 423084 AUX HYDS Combo Direct - Pilot Controls, 747661 AUX HYDS/UNI-DIRECT No Pilot, 747662 AUX HYDS/UNI-DIRECT for Pilot and Var. X20036X no Backhoe AUX HYDS is Equipped

35.359.AB

01

p1

1/2019

BACKHOE CONTROL VALVE, 6-SPOOL, MOUNTING PARTS, STANDARD DIPPER, W/ FOOT SWING CONTROLS

REF FN	PART NUMBER	YR/SN	QTY DESCRIPTION
1	84273236		1 VALVE Backhoe Valve 6 Spool Foot Swing, ASSY
2	814-10080		2 BOLT Hex, M10 x 1.5 x 80mm, CI 8.8
3	614-10035		1 BOLT Hex, M10 x 1.5 x 35mm, CI 8.8, Full Thd
4	87687101		2 WASHER 10.65mm ID x 31mm OD x 3.3mm Thk
5	D52276		1 ISOLATOR 10.16mm ID x 28.07mm OD x mm L
6	87655046		2 SPECIAL WASHER 10.65mm ID x 23mm OD x 2.2mm Thk
7	829-1410		2 NUT M10 x 1.5, CI 10.9
8	47578533		1 VALVE BHOE, 6 SPL FOOT SWING Backhoe Valve 6 Spool Foot Swing, ASSY
8	47578533R		1 REMAN-HYD VALVE BHOE, 6 SPL FOOT SWING Reman Backhoe Valve 6 Spool Foot Swing, ASSY
8	47578533C		1 CORE-VALVE HYD BHOE, 6 SPL FOOT SWING Return Number

590SN-BACKHOE LOADER - TIER 3 NRC

BACKHOE CONTROL VALVE, 7-SPOOL, STANDARD DIPPER, W/ PILOT CONTROLS

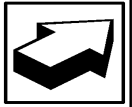
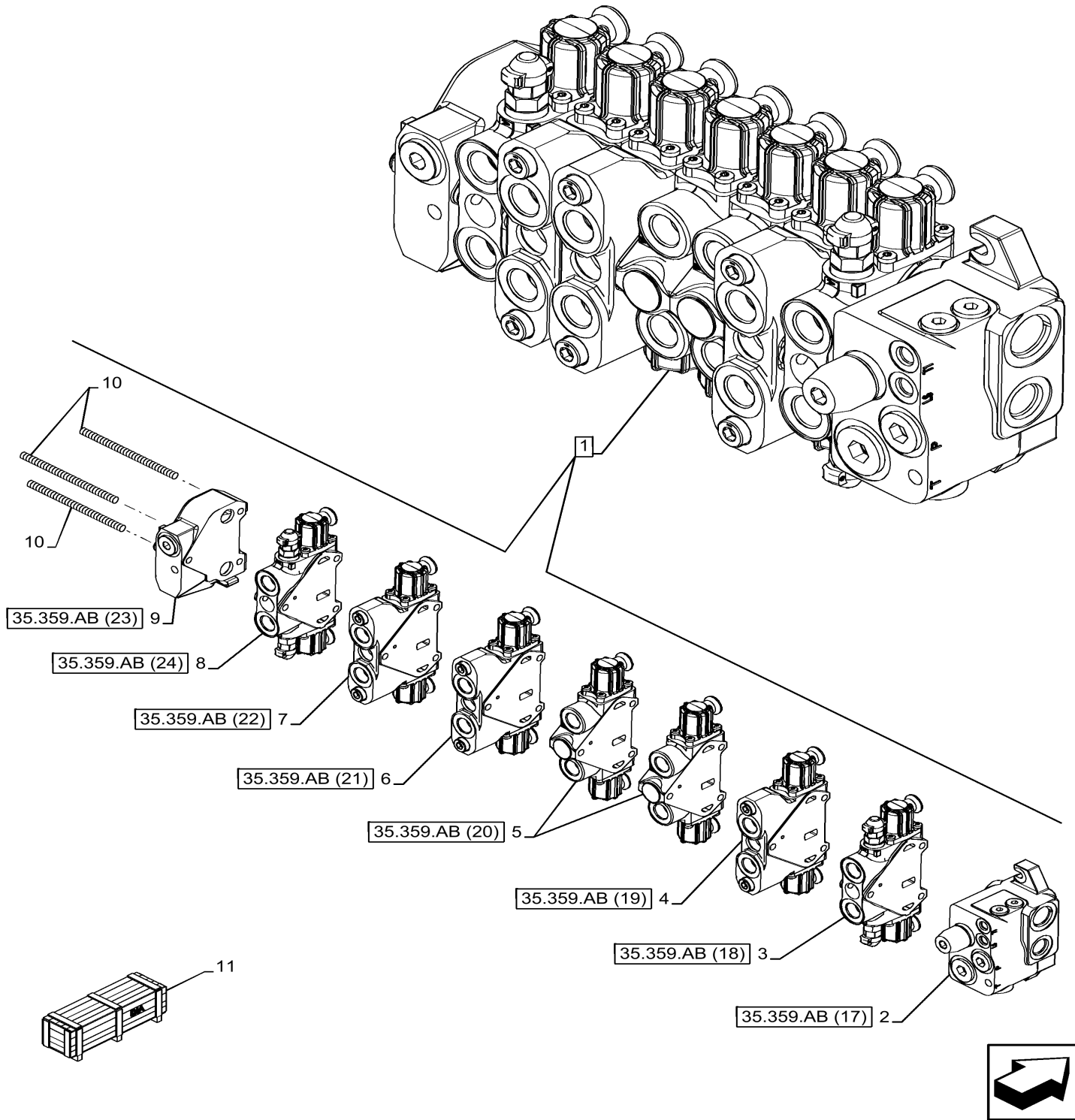


Figure is Valid when Commercial Var. 423075 STD Backhoe, 423078 Pilot Controls W/Heavy Lift, 423084 AUX HYDS Combo Direct - Pilot Controls is Equipped

35.359.AB

25

p1

1/2019

BACKHOE CONTROL VALVE, DIPPER EXT SECTION

REF FN	PART NUMBER	YR/SN	QTY DESCRIPTION
1	84278692		1 HYD VALVE SECTION ASSY, Extendable Dipper, Incl 2 - 7
2	NSS		1 NOT SOLD SEPARAT Valve, Incl in 1
3	85826344		1 KIT Operation
4	84232746		2 PLUG
5	47422242		1 COMPENSATOR
6	85825473		1 SEAL KIT
7	87617657		1 O-RING KIT

590SN-BACKHOE LOADER - TIER 3 NRC

VAR - 747776 - LOADER, CONTROL VALVE, MECHANICAL, 3-SPOOL

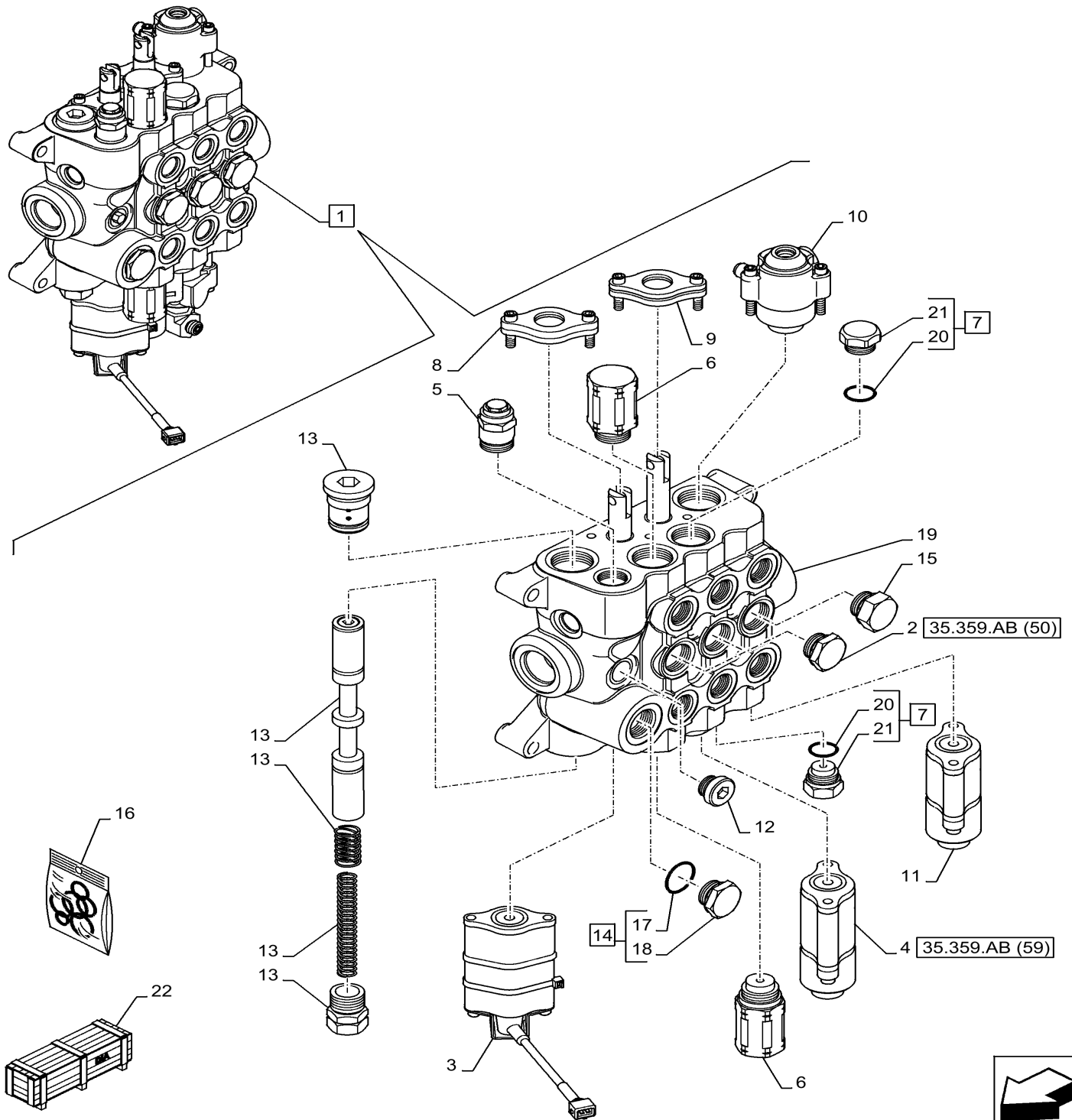


Figure is Valid with Industrial Var. 747776 and Option X20137X



BACKHOE CONTROL VALVE, 7-SPOOL, COMPONENTS, EXTENDABLE DIPPER, W/ FOOT SWING CONTROLS - END YR 10-JUL-2015

REF	FN	PART NUMBER	YR/SN	QTY DESCRIPTION
1	1	84273238		1 VALVE ASSY, Incl 2 - 17
2		NSS		1 NOT SOLD SEPARAT
3		87433030		1 OUTLET Section, Outlet
4		87428491		2 SCREW Hex
5		87428492		1 SCREW Hex
6		87428495		1 O-RING 3.50" ID x 3.76" OD x .139" thk
7		87428486		1 VALVE, CHECK ASSY
8		87426238		5 VALVE, CHECK ASSY
9	2	84296804		6 VALVE PRESSURE RELIE 230 Bar, Adjustable Adjustable
10		84296800		2 VALVE PRESSURE RELIE
11		81868381		1 CHECK VALVE 1-1/16" - 12
12		84315193		7 SEAL
13		84296861		1 SERVICE KIT Foot Swing B port End Group
14		84296862		1 KIT Mechanical Boom B Port End Group
15		84296826		2 SERVICE KIT Mechanical Stabilizer End Group B Port
16		84296859		3 KIT Mechanical Backhoe Valve B Port End G
17		84296786		1 SEAL KIT Mechanical Backhoe Valve Seal
(1)		Backhoe Control Valve, 7-Spool, with Extendable Dipper and Foot Swing Controls		
(2)		Set the Relief to the Setting of the One that is Being Replaced		

590SN-BACKHOE LOADER - TIER 3 NRC

35.359.AB

58A

p1

1/2019

BACKHOE CONTROL VALVE, 8-SPOOL, COMPONENTS, EXTENDABLE DIPPER, W/ FOOT SWING CONTROLS - BEGIN YR 11-JUL-2015

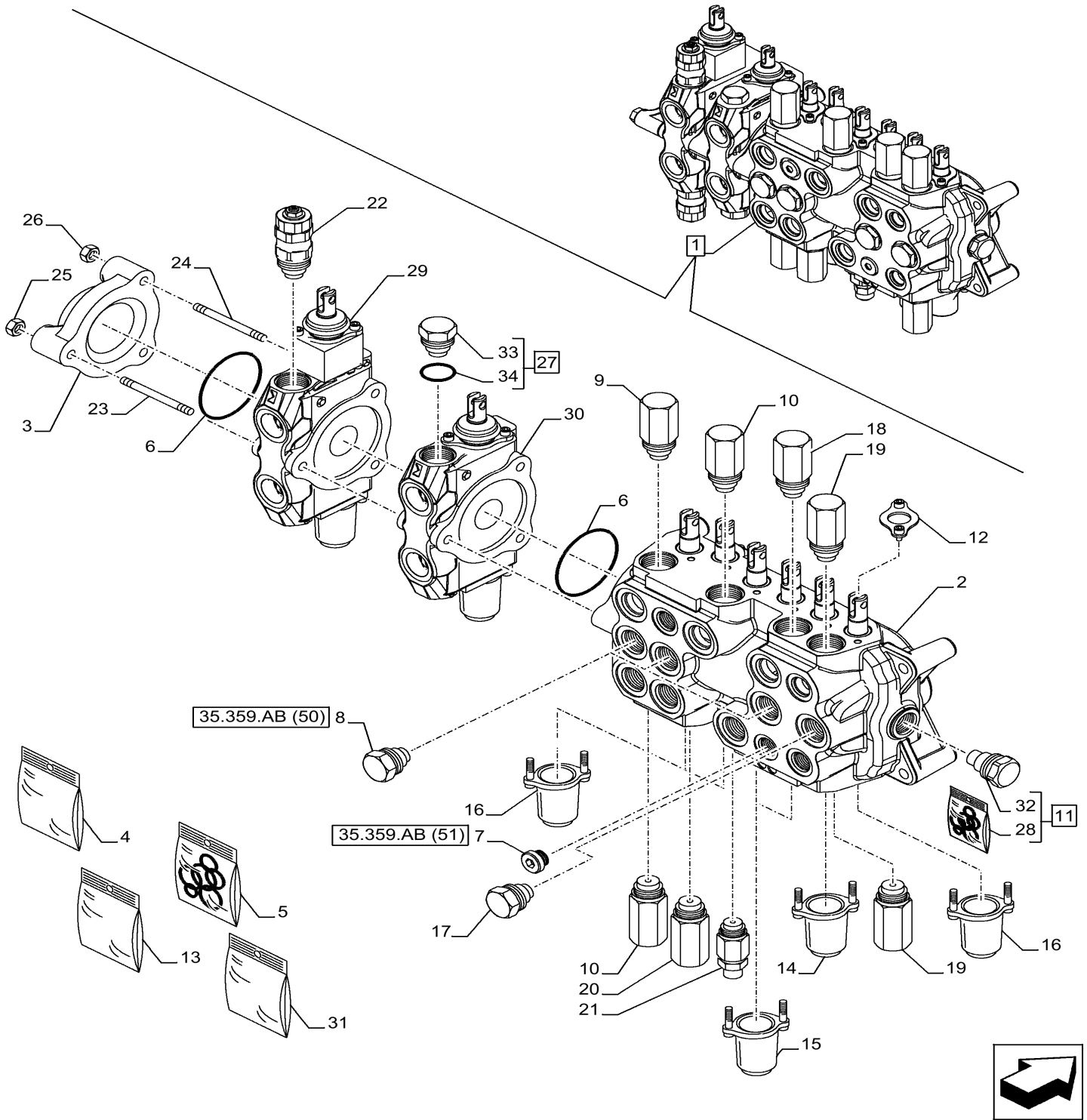


Figure is Valid when Commercial Var. 423076 Extendahoe, 413083 AUX HYDS, Combo Direct - Manual Controls and Var. X20038X STD Foot Swing Controls is Equipped; D7373 After Date 10 July 2015

VAR - 747776, 747864 - LOADER, AUXILIARY CONTROL VALVE, LINES

REF FN	PART NUMBER	YR/SN	QTY DESCRIPTION
19	NSS		1 NOT SOLD SEPARAT 90° Elbow, Incl in 18
20	9993141		3 O-RING 0.07" Thk x 0.364" ID, -12, CI 6, 90 Duro
21	9617873		1 O-RING 0.078" Thk x 0.468" ID, -906, CI 6, 90 Duro
22	84989848		1 TEE 11/16" - 16 ORFS x 11/16" - 16 ORFS x 11/16" - 16 JIC ASSY, Incl 20 (Qty 2), 23
23	NSS		1 NOT SOLD SEPARAT Tee, Incl in 22
24	237-6004		1 O-RING 0.072" Thk x 0.351" ID, -904, CI 6, 90 Duro
25	84255991		1 HOSE ASSY. 10mm ID x 1283mm L to Tank
26	201-331		1 ELBOW 45 Degree, 9/16"-18 x 7/16"-20. Adj, ORFS ASSY, Incl 10, 24, 27
27	NSS		1 NOT SOLD SEPARAT 45° Elbow, Incl in 26
28	^{1,2} 47661785		1 CONSTRUCTION DIA 3 Spool, Mechanical Control, Powershift Transmission, Incl 1, 2, 4 - 7, 11, 14, 18 - 21, 26
28	^{1,2} 47661814		1 CONSTRUCTION DIA 3 Spool, Pilot Control, Powershift Transmission, Incl 1, 2, 4 - 7, 11 - 15, 18 - 20, 22, 23, 25, 26
28	^{3,2} 47661816		1 CONSTRUCTION DIA 3 Spool, Mechanical Control, Standard Transmission, Incl 1, 2, 4 - 7, 11 - 15, 18 - 20, 22, 25, 27

(1) Valid for 580N Model Only

(2) To See Full DIA KIT Composition Look for all the Figures Where the DIA KIT P/N Is Shown

(3) Valid for 580SN, 580SN WT, 590SN Models Only

590SN-BACKHOE LOADER - TIER 3 NRC

LOADER, CONTROL VALVE LINE, BACKHOE CONTROL VALVE

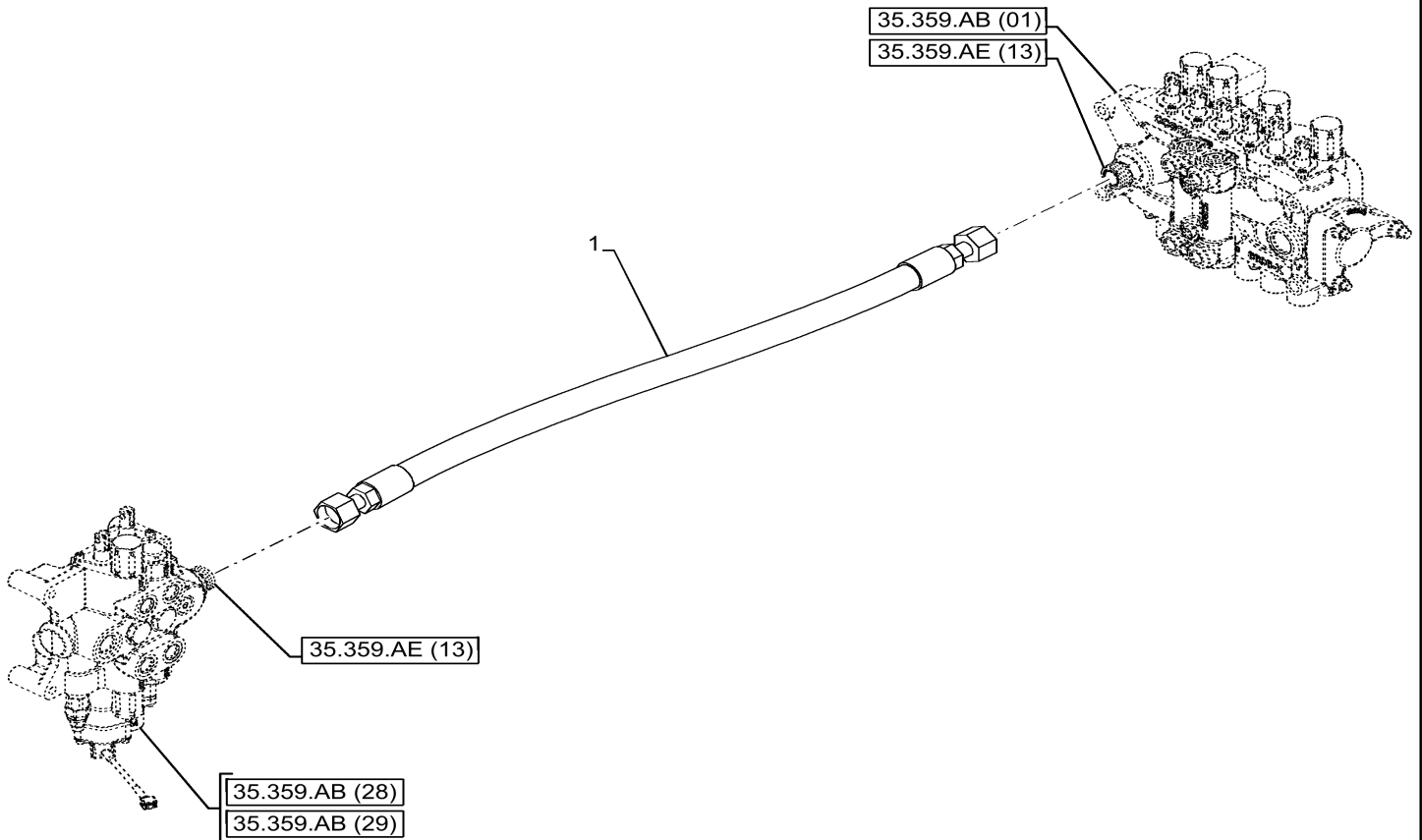


Figure is Valid when Commercial Var. 747539, 747657, 747862 Bucket 82 and 93, 742242 No Loader Bucket, 742369 Pilot Controls with Auto-Up and Var. X20036X No Backhoe AUX HYDS, X20038X STD Foot Swing Controls is Equipped

BACKHOE CONTROL VALVE, 8-SPOOL, MECHANICAL CONTROLS

REF FN	PART NUMBER	YR/SN	QTY DESCRIPTION
1	136267A1		1 LEVER Boom
2	136269A1		1 LEVER Bucket
3	136263A1		1 ROD 12.7mm OD x 407mm L
4	136261A1		2 THREADED ROD 1/2"-20 UNF x 260mm L
5	D150434		1 CRANK LEVER LH Stabilizer
6	D150435		1 CRANK LEVER RH Stabilizer
7	D150397		1 CRANK LEVER Dipper
8	L54563		3 KNOB
9	D59912		2 KNOB
10	87422249		1 THREADED ROD 9.53mm D x 368mm L
11	87422247		1 THREADED ROD 9.53mm D x 352mm L
12	87422245		1 THREADED ROD 9.53mm D x 368mm L
13	87422243		1 THREADED ROD 9.53mm D x 368mm L
14	87422241		1 THREADED ROD 9.53mm D x 363mm L
15	213-126		3 ADJUSTABLE CLEVIS 3/8"-24 x 2 1/2"
16	D150493		2 END
17	425-156		5 JAM NUT Jam, 3/8"-24, G5
18	425-118		3 NUT 1/2"-20, G5
19	D150486		1 SPACER 19.76mm ID x 25.4mm OD x 35mm L
20	D34666		1 WASHER 33.34mm ID x 63.5mm OD x 2.38mm Thk
21	A30881		10 SEALING WASHER 19.45mm ID x 31.35mm OD
22	D149866		1 BOOT
23	D149288		3 PIN 8.33mm OD x 30.66mm L
24	427-6088		2 CLEVIS PIN 3/8" x 3/4"
25	432-612		5 COTTER PIN 3/32" x 3/4"

590SN-BACKHOE LOADER - TIER 3 NRC

35.525.AA

07

p2

1/2019

VAR - 747661, 747662 - AUXILIARY HYDRAULIC, LINES

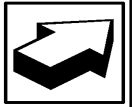
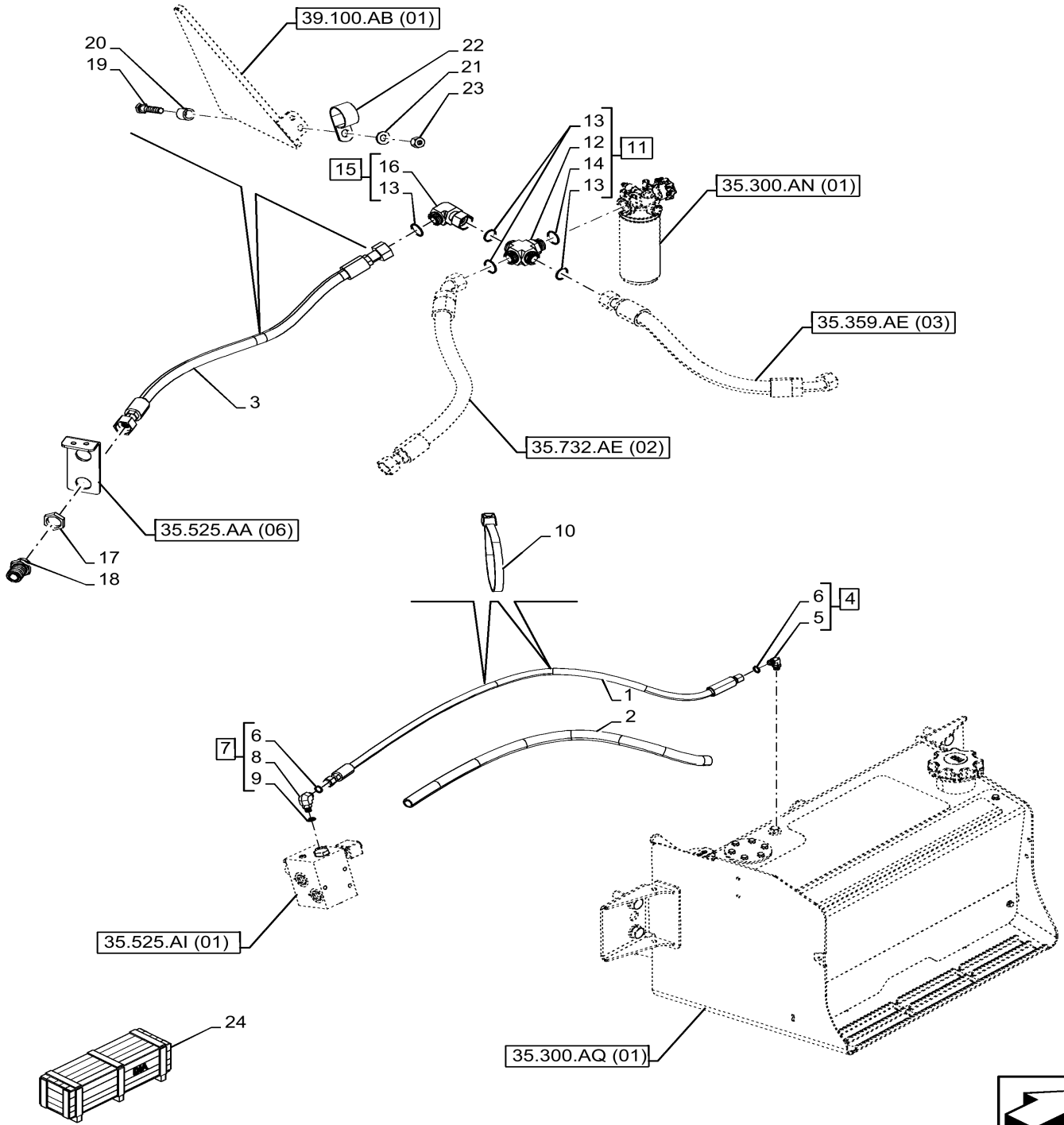


Figure is Valid with Industrial Var. 747661, 747662

VAR - 423084 - AUXILIARY HYDRAULIC, LINES

REF FN	PART NUMBER	YR/SN	QTY DESCRIPTION
1	84275042		1 HOSE ASSY. 19mm ID x 411mm L Uni Valve to Loader Valve 3 Spool, Incl 2 - 4
2	9840535		1 HYD CONNECTOR 1-3/16" - 12 ORFS x 1-1/16" - 12 ORB ASSY , Incl 3 - 5
3	NSS		1 NOT SOLD SEPARAT Connector, Incl in 2
4	167266		1 O-RING 0.116" Thk x 0.924" ID, -912, CI 6, 90 Duro
5	9991976		1 O-RING 0.07" Thk x 0.739" ID, -18, CI 6, 90 Duro
6	^{1,2} 47501542		1 CONSTRUCTION DIA No Auxiliary to Combo, Pilot Control, Extendable Dipper, Incl 1 - 5
6	^{3,2} 47501543		1 CONSTRUCTION DIA No Auxiliary to Combo, Pilot Control, Standard Dipper, Incl 1 - 5
6	^{1,2} 47501544		1 CONSTRUCTION DIA No Auxiliary to Combo, Pilot Control, Standard Dipper, Incl 1 - 5
6	^{3,2} 47662021		1 CONSTRUCTION DIA No Auxiliary to Combo, Pilot Control, Extendable Dipper, Incl 1 - 5

(1) Valid for 590SN Model Only

(2) To See Full DIA KIT Composition Look for all the Figures Where the DIA KIT P/N Is Shown

(3) Valid for 580SN Model Only

590SN-BACKHOE LOADER - TIER 3 NRC

VAR - 423049 - QUICK COUPLER, LINES

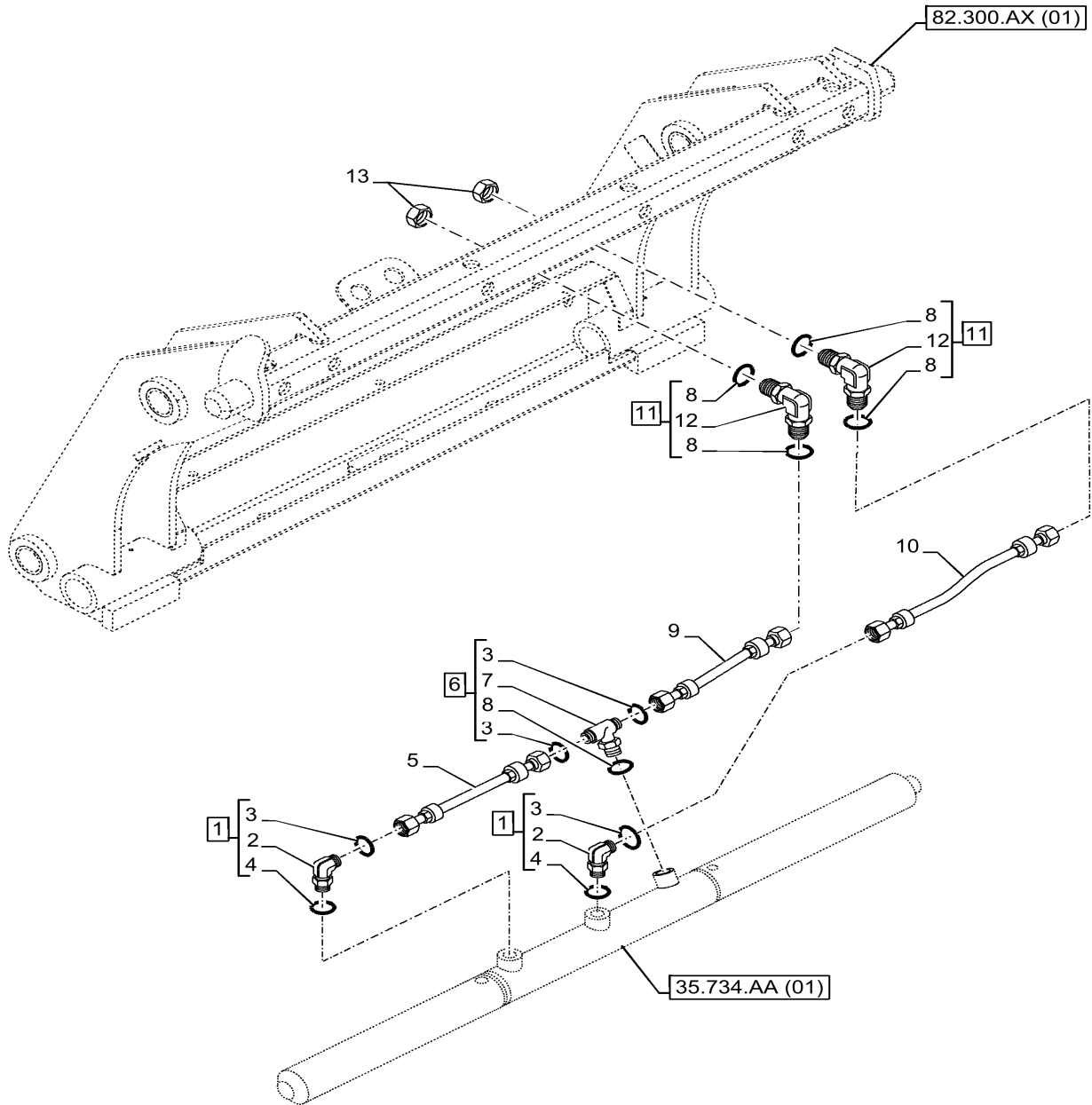


Figure is Valid with Industrial Var. 423049

VAR - 747662 - AUXILIARY CONTROL VALVE

REF FN	PART NUMBER	YR/SN	QTY DESCRIPTION
1	84247110		1 VALVE Closed Center Uni-Aux, ASSY
2	84257782		1 BRACKET Backhoe Auxiliary Valve Mounting
3	1960667		2 HEX SOC SCREW M8 x 90mm, CI 8.8
4	9706702		2 BOLT Hex, M12 x 1.75 x 50mm, CI 8.8
5	87655043		4 WASHER M12, 13.65mm ID x 24.90mm OD x 3.20mm, HT Boron, ZNM
6	43362		2 NUT M8 x 1.25, CI 10
7	337475		2 NUT M12, CI 10
8	76349		1 PLUG 9/16" - 18 ORB ASSY, Incl 9, 10
9	NSS		1 NOT SOLD SEPARAT Plug, Incl in 8
10	9617873		2 O-RING 0.078" Thk x 0.468" ID, -906, CI 6, 90 Duro

590SN-BACKHOE LOADER - TIER 3 NRC

35.701.AD

02

p1

1/2019

VAR - 742242 - LOADER BUCKET, AUXILIARY HYDRAULIC

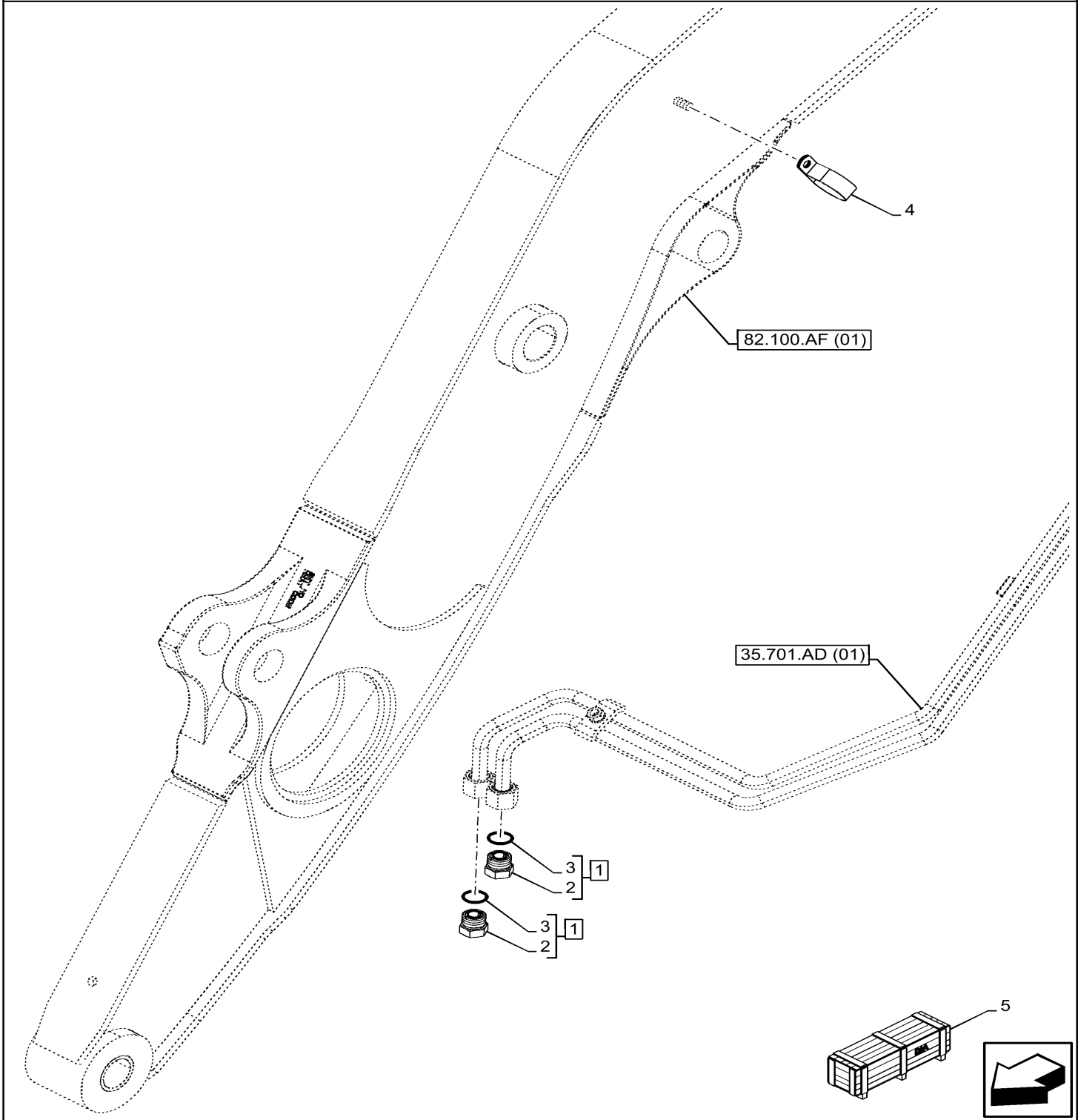


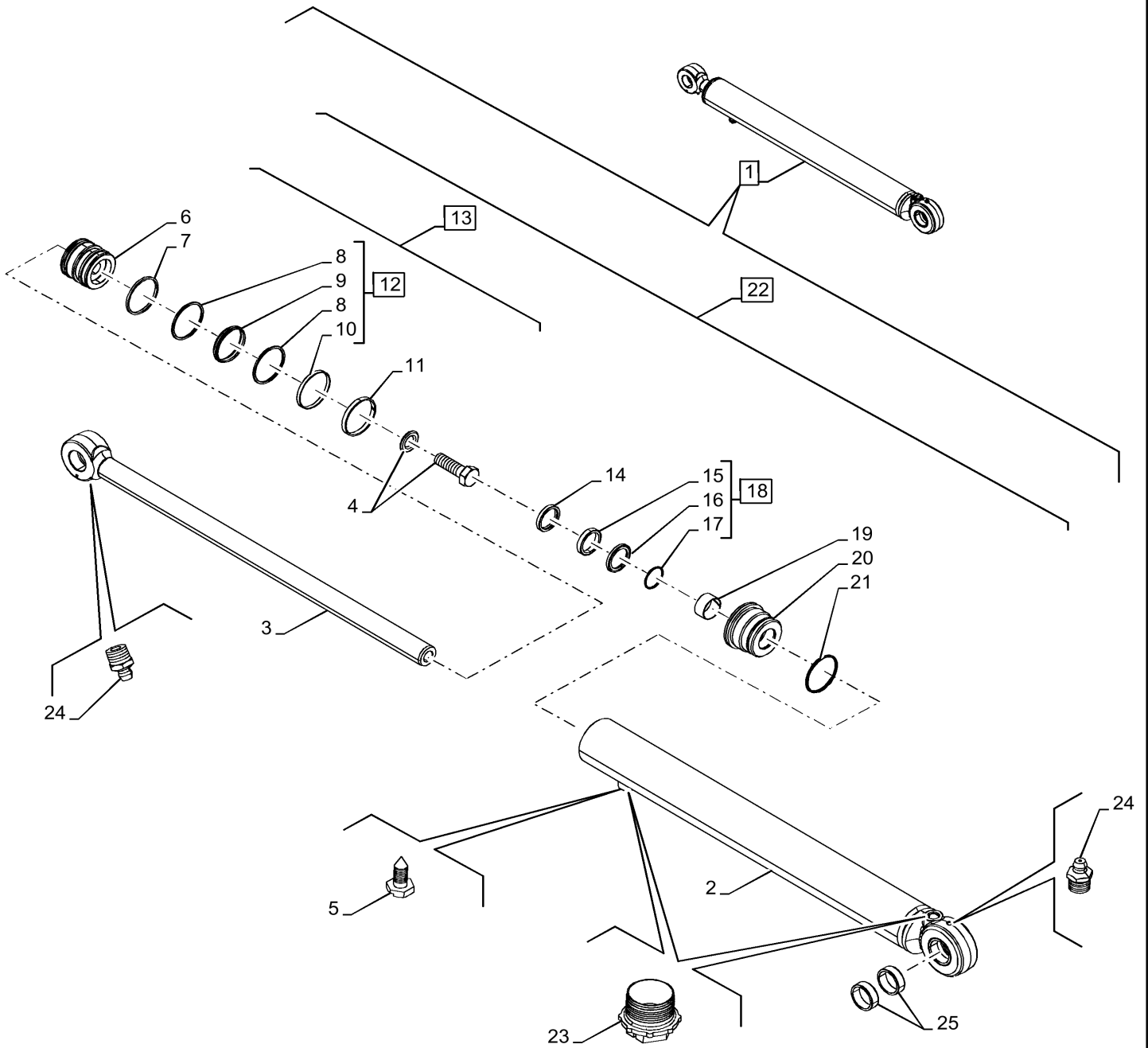
Figure is Valid with Industrial Var. 742242

LOADER, CYLINDER, LINE

REF FN	PART NUMBER	YR/SN	QTY DESCRIPTION
1	84405562		1 HYD TUBE RH Lift Port A
2	84405560		1 HYD TUBE RH Lift Port B
3	D138055		1 CLAMP 10,3mm ID x 58,4mm L
4	325829		1 BOLT Hex, M10 x 1.5 x 45mm, CI 8.8
5	120303A1		1 SPACER 11mm ID x 15.82mm OD x 15mm Thk
6	87655046		1 SPECIAL WASHER 10.65mm ID x 23mm OD x 2.2mm Thk
7	140028		1 WASHER 10.2mm ID x 18.1mm OD x 2.2mm Thk
8	86500689		1 NUT M10 x 1.5, CI 10

590SN-BACKHOE LOADER - TIER 3 NRC

LIFT CYLINDER, COMPONENTS



35.723.AA

06

p2

1/2019

LOADER BUCKET, CONTROL, CYLINDER

REF FN	PART NUMBER	YR/SN	QTY DESCRIPTION
22	86982438		1 SPECIAL BOLT Hex, 14, 1 x 3"

590SN-BACKHOE LOADER - TIER 3 NRC

35.723.AB

07

p1

1/2019

VAR - 747864 - LOADER BUCKET CYLINDER LINES

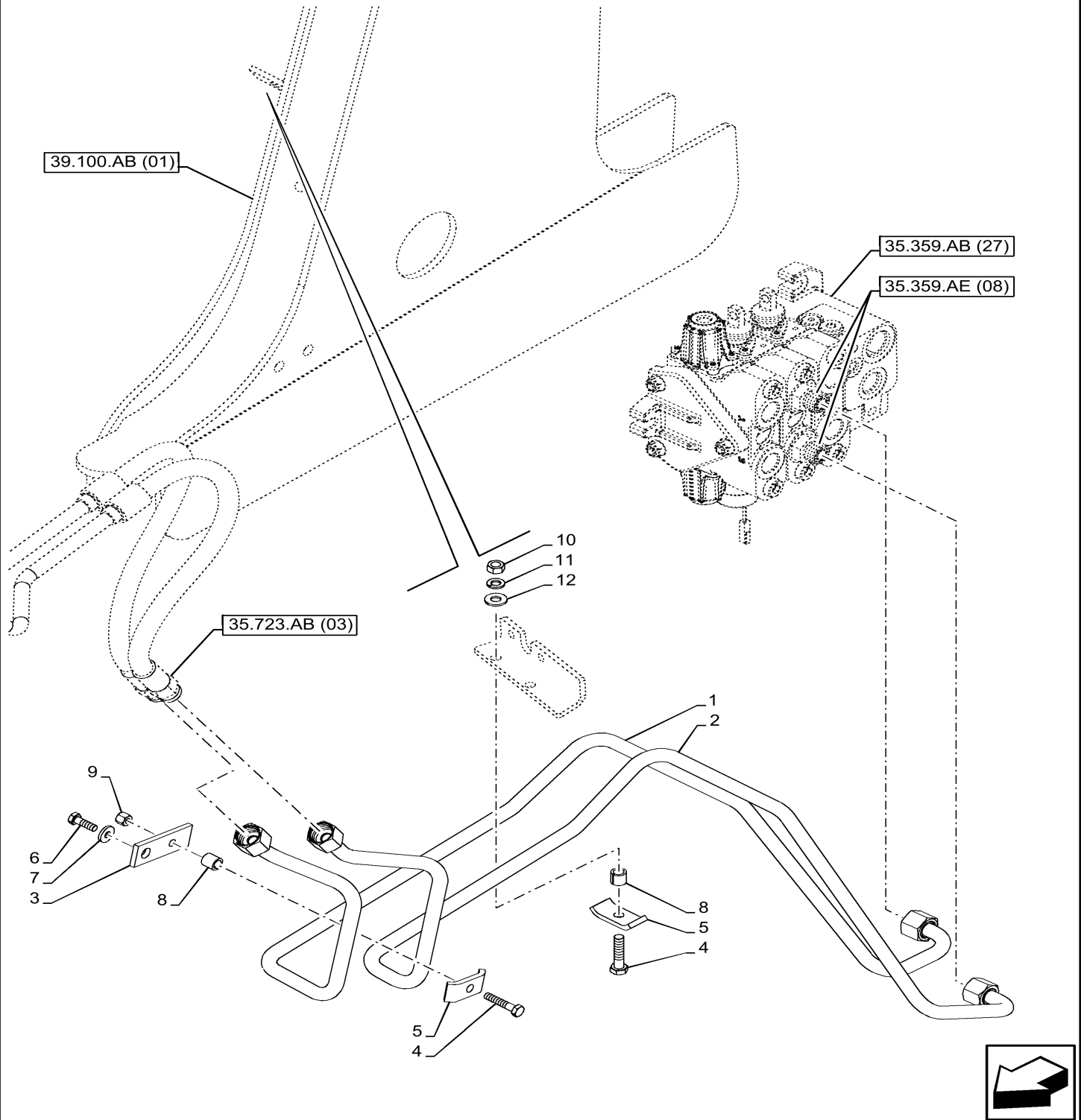


Figure is Valid with Industrial Var. 747864 and Option X20137X

6-SPOOL, 7-SPOOL, PILOT CONTROLS, JOYSTICK, RH

REF	FN	PART NUMBER	YR/SN	QTY DESCRIPTION
1	1	87685956		1 JOYSTICK ASSY, RH, Incl 2 - 15
2		87308839		1 HANDLE GRIP
3		87308838		1 HANDLE GRIP
4		87443721		1 BOOT
5		87547309		1 BEZEL
6		87435506		2 SEAL 52mmL
7		87424267		1 GROMMET 14mm Dia
8		87428023		1 BOLT Square Head, M12 x 1.75 x 60
9		87037944		1 THIN NUT Thin, M12 x 1.75, CI 05
10		87436225		1 RETAINER 12.5mm ID, 46mm OD
11		15687475		3 SELF-TAP SCREW Pan Hd, M3.5 x 25mm, SST
12		86625128		2 PLUG Dome, .562" hole, Nylon
13		87000312		1 CABLE TIE 4.8mm W x 203.2mm OAL, Nylon
14		87438046		1 CABLE TIE 375.9 mm L x 8mm W
15		87687141		1 PILOT VALVE ASSY
15		87687141R		1 REMAN-HYD VALVE Reman Assy
15		87687141C		1 CORE-VALVE HYD Core Return Number
16	2	47593980		1 CONSTRUCTION DIA Dipper Oscillation, Incl 1 - 15

(1) See Joystick Components also in Figure 55.512.CL (02)

(2) To See Full DIA KIT Composition Look for all the Figures Where the DIA KIT P/N Is Shown

590SN-BACKHOE LOADER - TIER 3 NRC

35.726.AU

04

p1

1/2019

EXTENDABLE DIPPER, AUXILIARY HYDRAULIC

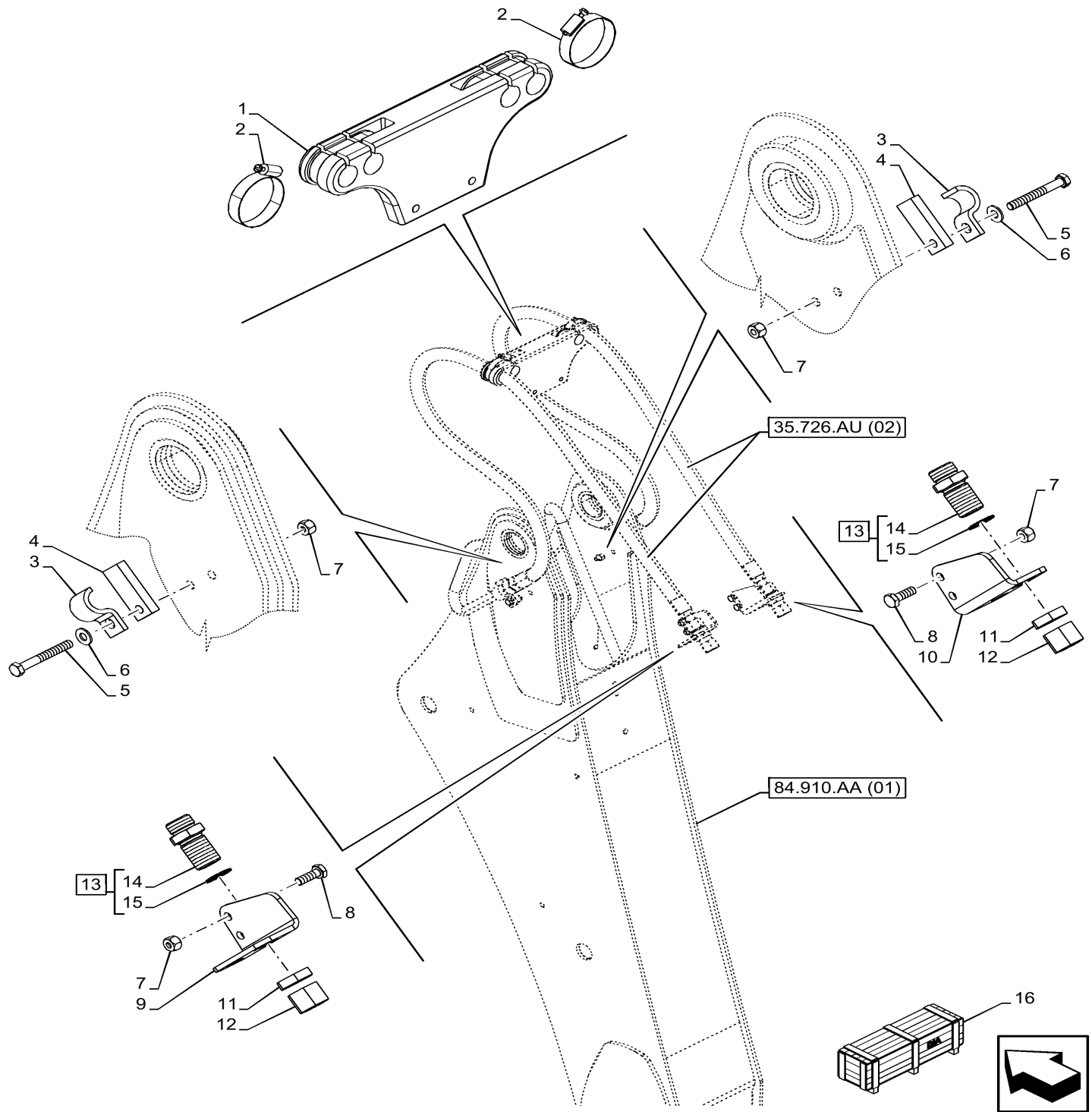


Figure is Valid when Commercial Var. 423076 Extendable Dipper and Var. 747661, 747662 Auxiliary Hydraulic is Equipped

35.734.AA

04

p2

1/2019

VAR - 442017 - QUICK COUPLER, CYLINDER, COMPONENTS

REF FN	PART NUMBER	YR/SN	QTY DESCRIPTION
22	800-6138		1 SNAP RING M38, Int

590SN-BACKHOE LOADER - TIER 3 NRC

VAR - 442017 - QUICK COUPLER, VALVE, HYDRAULIC LINE

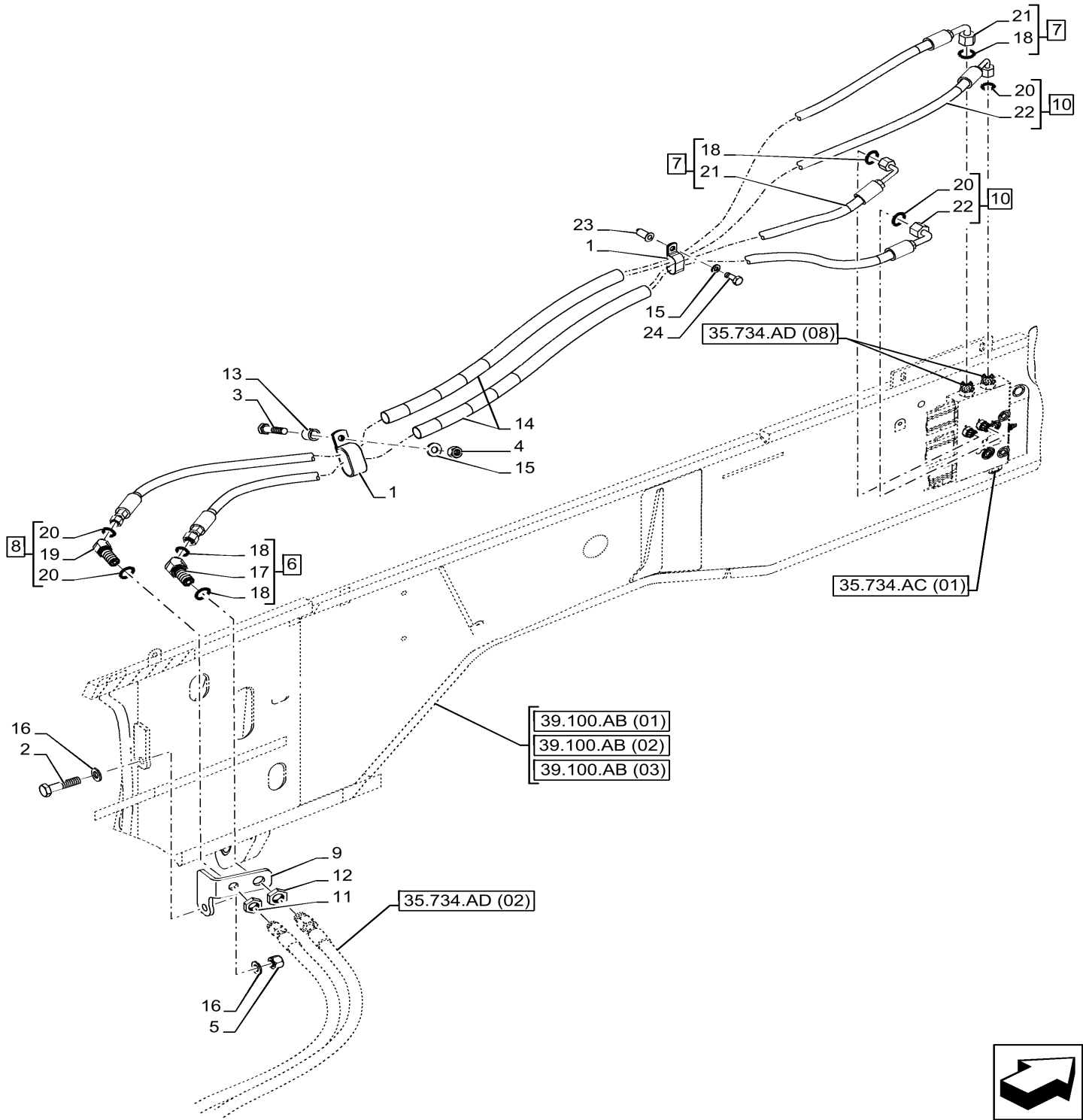


Figure is Valid with Industrial Var. 442017

35.738.AE

01

p1

1/2019

VAR - 423075 - BACKHOE BUCKET, STANDARD DIPPER, CYLINDER, LINES

REF FN	PART NUMBER	YR/SN	QTY DESCRIPTION
1	84264059		1 HOSE ASSY. 19mm ID x 2825mm L Valve to Bucket - Cylinder Rod, 2825mm L, Incl 2, 3 (Qty 1)
2	NSS		1 NOT SOLD SEPARAT
3	9991976		3 O-RING 0.07" Thk x 0.739" ID, -18, CI 6, 90 Duro
4	84262450		1 HOSE ASSY. 19mm ID x 2825mm L Valve to Bucket, 2825mm L, Incl 3 (Qty 1), 5
5	NSS		1 NOT SOLD SEPARAT
6	84399341		1 HOSE ASSY. 19mm ID x 1267mm L Bucket Head, 1267mm L
7	84305542		1 TUBE ASSY, Bucket Cylinder Rod, 1050mm L, Incl 8, 9
8	NSS		1 NOT SOLD SEPARAT Tube, Incl in 7
9	9824050		1 O-RING 0.07" Thk x 0.926" ID, -21, CI 6, 90 Duro
10	201-317		1 ELBOW 45 Degree, 1 3/16"-12 x 1 1/16"-12. Adj, ORFS ASSY, Incl 11 - 13 (Qty 1)
11	NSS		1 NOT SOLD SEPARAT 45° Elbow, Incl in 10
12	238-6018		1 O-RING 0.07" Thk x 0.739" ID, -18, CI 6, 90 Duro
13	237-6012		2 O-RING 0.116" Thk x 0.924" ID, -912, CI 6, 90 Duro
14	201-130		1 HYD CONNECTOR 1 7/16"-12 ORFS x 1 1/16"-12 ORB ASSY, Incl 13 (Qty 1), 15, 16
15	NSS		1 NOT SOLD SEPARAT Connector, Incl in 14
16	238-6021		1 O-RING 15/16 X 1 - 1/16, CI 6

590SN-BACKHOE LOADER - TIER 3 NRC

CLICK HERE TO **DOWNLOAD** THE COMPLETE MANUAL

- Thank you very much for reading the preview of the manual.
- You can download the complete manual from: www.heydownloads.com by clicking the link below



- Please note: If there is no response to CLICKING the link, please download this PDF first and then click on it.

CLICK HERE TO **DOWNLOAD** THE COMPLETE MANUAL

35.738.AH

01

p1

1/2019

VALVE, OBJECT HANDLING, MOUNTING

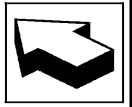
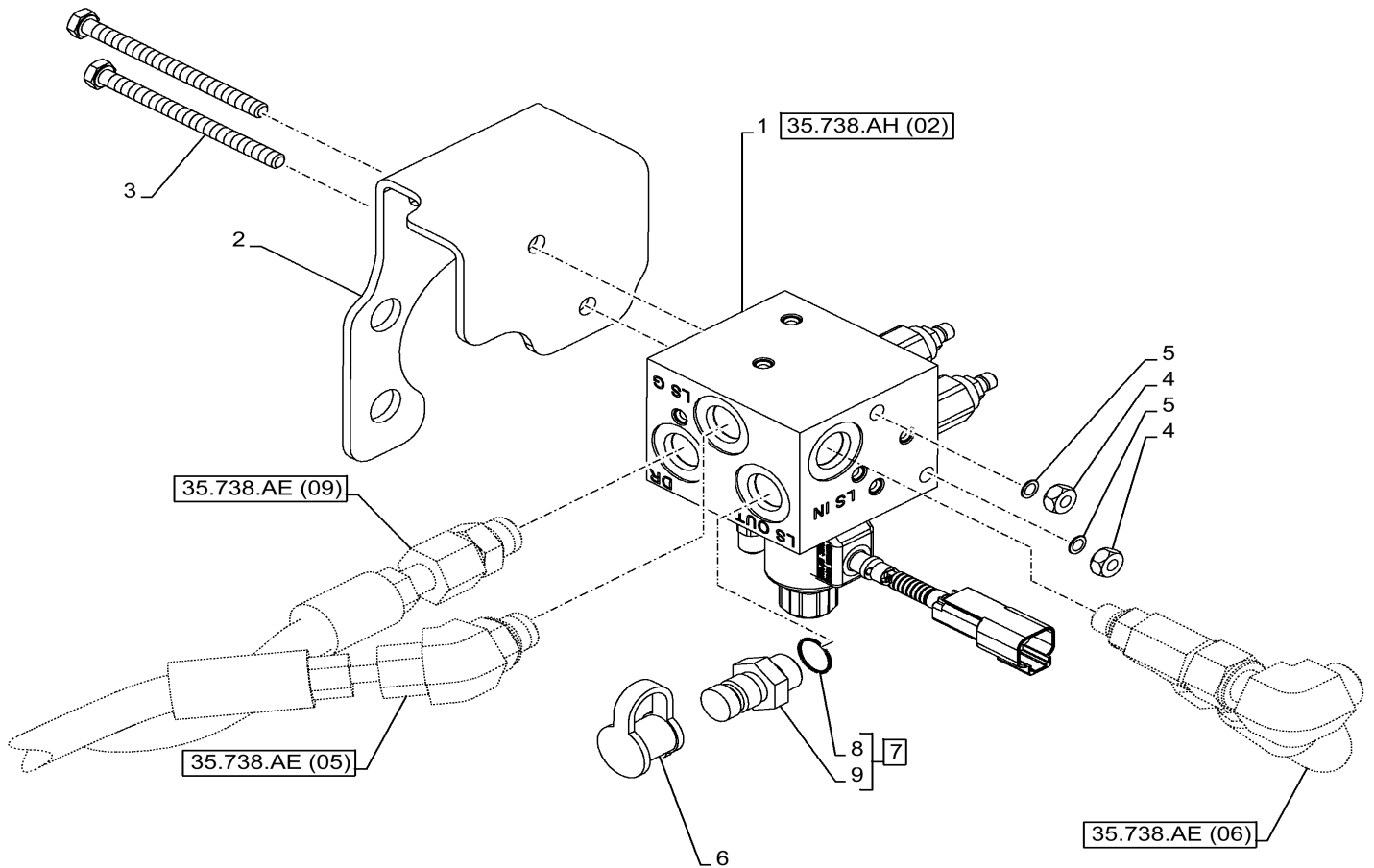


Figure is Valid with Option X20233X

35.740.AC

01

p1

1/2019

VAR - 423076 - EXTENDABLE DIPPER, CYLINDER, LINE

REF FN	PART NUMBER	YR/SN	QTY DESCRIPTION
1	84264055		1 HOSE ASSY. 16mm ID x 2938mm L Valve to Backhoe - Cylinder Rod, ASSY, Incl 2, 3 (Qty 1)
2	NSS		1 NOT SOLD SEPARAT Hose, Incl in 1
3	9992069		4 O-RING 0.07" Thk x 0.614" ID, -16, CI 6, 90 Duro
4	84264054		1 HOSE ASSY. 16mm ID x 2924mm L Valve to Backhoe - Cylinder Rod, ASSY, Incl 3 (Qty 1), 5
5	NSS		1 NOT SOLD SEPARAT Hose, Incl in 4
6	84343074		1 HOSE 12.5mm ID x 945mm L Backhoe Cylinder Rod, ASSY, Incl 3 (Qty 1), 9
7	84343076		1 HOSE 12.5mm ID x 958mm L Backhoe Cylinder Head
8	84295705		1 RIGID TUBE Backhoe Cylinder Rod, 1302mm L
9	NSS		1 NOT SOLD SEPARAT Hose, Incl in 6
10	201-103		1 HYD CONNECTOR 1" - 14 Male ORFS x 7/8" - 14 Male ORB ASSY, Incl 11 - 13
11	NSS		1 NOT SOLD SEPARAT Connector, Incl in 10
12	238-6016		1 O-RING 0.07" Thk x 0.614" ID, -16, CI 6, 90 Duro
13	237-6010		1 O-RING 0.097" Thk x 0.755" ID, -910, CI 6, 90 Duro
14	87675522		1 90 ELBOW 90 Degree 1"-14 x 7/8"-14 Adj ORFS ASSY, Incl 3 (Qty 1), 15, 16
15	NSS		1 NOT SOLD SEPARAT 90° Elbow, Incl in 14
16	167269		1 O-RING 0.097" Thk x 0.755" ID, -910, CI 6, 90 Duro
17	9840535		2 HYD CONNECTOR 1-3/16" - 12 ORFS x 1-1/16" - 12 ORB ASSY, Incl 18 - 20

590SN-BACKHOE LOADER - TIER 3 NRC

39.129.AE

01

p1

1/2019

VAR - 442055 - STABILIZER, PAD

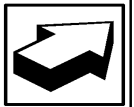
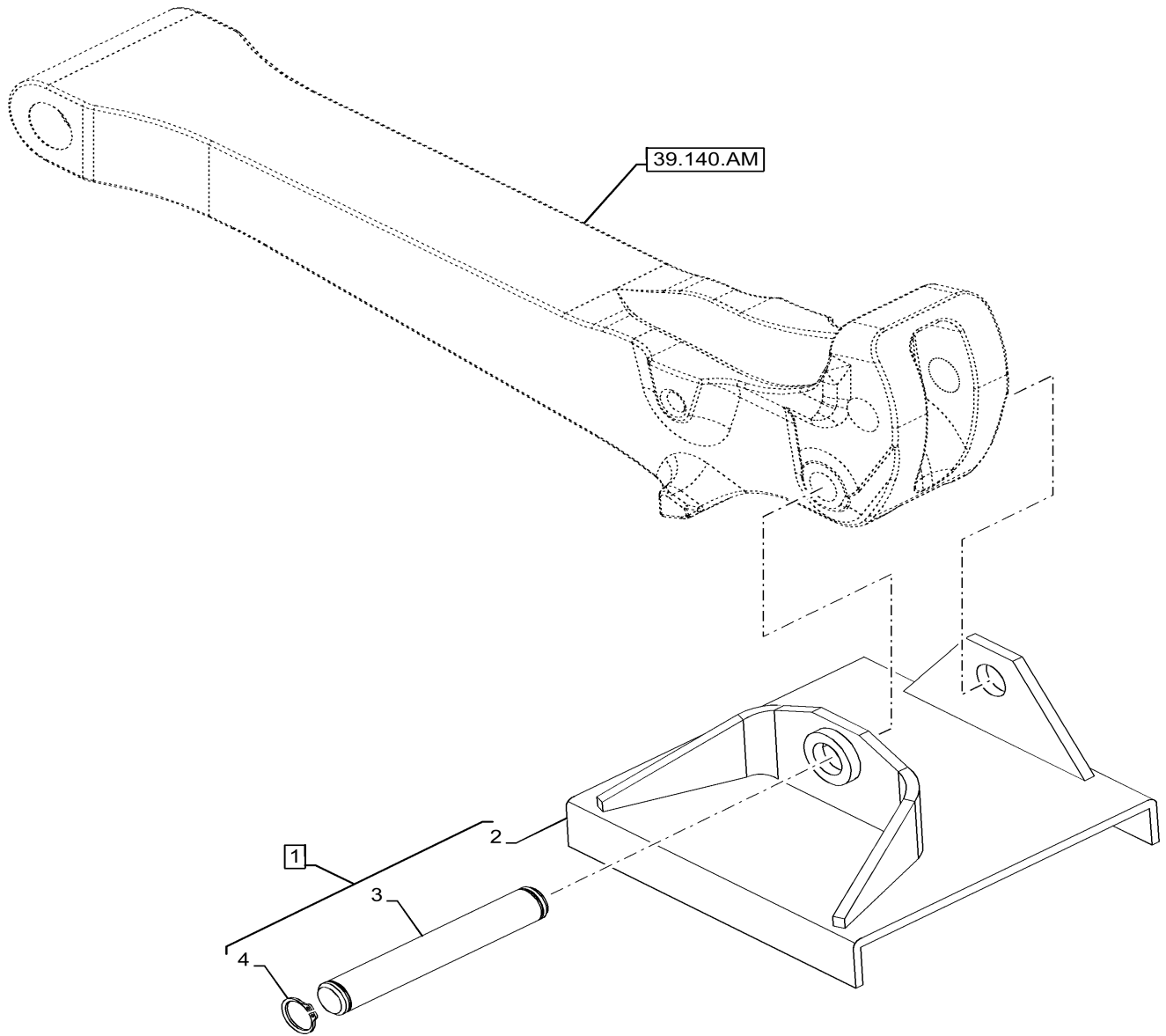


Figure is Valid with Industrial Var. 442055

41.106.AD

02

p1

1/2019

FRONT AXLE, STEERING TIE-ROD

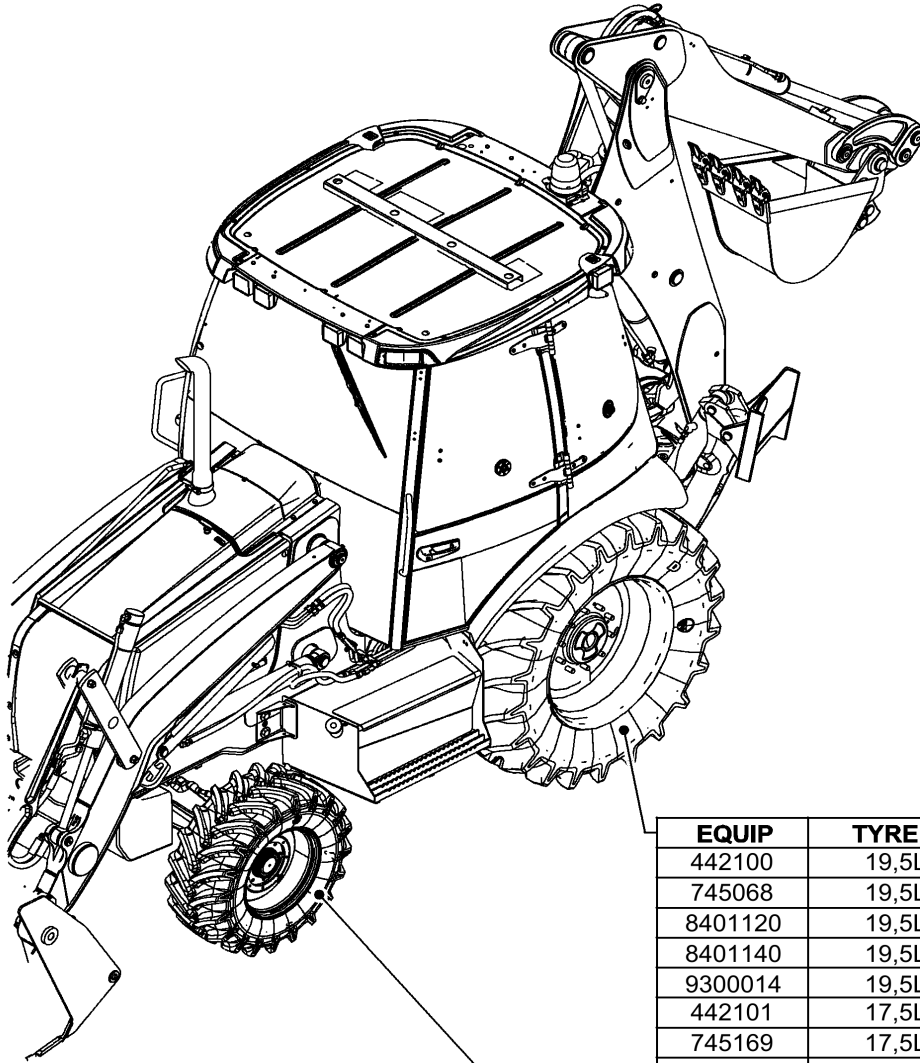
REF FN	PART NUMBER	YR/SN	QTY DESCRIPTION
1	84264410		2 TIE-ROD M20 x 397mm L ASSY, Incl 2 - 5
2	84276565		1 BALL JOINT 36mm OD x 282mm L Tie Rod
3	87489984		1 BALL JOINT 215mm L Tie Rod
4	87489982		1 NUT M24 x 1.5, Cl. 8 M24 x 1.50
5	87489983		1 NUT M24 x 1.5, Cl. 10 M20 x 1.5

590SN-BACKHOE LOADER - TIER 3 NRC

44.000.00

p1

1/2019

SECTION INDEX - WHEELS 4WD

EQUIP	TYRE SIZE	RIM	FIGURE
442100	19,5L - 24	W16LX24	44.520.AB (01)
745068	19,5L - 24	W16LX24	44.520.AB (01)
8401120	19,5L - 24	W16LX24	44.520.AB (01)
8401140	19,5L - 24	W16LX24	44.520.AB (01)
9300014	19,5L - 24	W16LX24	44.520.AB (01)
442101	17,5L - 24	W15LX24	44.520.AB (02)
745169	17,5L - 24	W15LX24	44.520.AB (02)
8401130	17,5L - 24	W15LX24	44.520.AB (02)
8401150	17,5L - 24	W15LX24	44.520.AB (02)
9300010	16,9X28	W15LX28	44.520.AB (03)
423018	21LX24	W18LX24	44.520.AB (03)
8392564	21LX24	W18LX24	44.520.AB (03)

EQUIP	TYRE SIZE	RIM	FIGURE
9200013	10,5/80 - 18	9X18	44.511.AE
8201110	12 - 16,5 10PR	9,75X16,5	44.511.AE
423015	12 - 16,5 10PR	9,75X16,5	44.511.AE
9200019	12 - 16,5 10PR	9,75X16,5	44.511.AE
9200023	12 - 16,5 10PR	9,75X16,5	44.511.AE
8201110	12L - 16,5	9,75X16,5	44.511.AE
423015	12L - 16,5	9,75X16,5	44.511.AE
9200019	12L - 16,5	9,75X16,5	44.511.AE
9200023	12L - 16,5	9,75X16,5	44.511.AE
9200015	12,5/80 - 18 10PR	8X18	44.511.AE
423016	12,5/80 - 18 10PR	8X18	44.511.AE
9200012	14 - 17,5 10PR	10,5X17,5	44.511.AE
423017	14 - 17,5 10PR	10,5X17,5	44.511.AE

VAR - 747853, 747855 - AIR CONDITIONING, COMPRESSOR

REF FN	PART NUMBER	YR/SN	QTY DESCRIPTION
1	84159488		1 AIRCOND. COMPRESSOR 12V, 43W, W/ Pulley 123mm D Air Conditioning
2	87551297		1 SUPPORT Bracket, Lower Compressor Mounting, Grey
3	87551296		1 BRACKET Upper Compressor Mounting, Grey
4	87551299		1 SUPPORT Bracket, Idler Support, Grey
5	87548073		1 IDLER Puller
6	87655042		8 SPECIAL WASHER 8.8mm ID x 17.5mm OD x 2.2mm Thk
7	515-23143		1 CLAMP 9/16", Insul, 3/8" Bolt
8	829-1410		1 NUT M10 x 1.5, CI 10.9
9	614-10070		1 BOLT Hex, M10 x 1.5 x 70mm, CI 8.8, Full Thd
10	814-8050		2 BOLT Hex, M8 x 1.25 x 50mm, CI 8.8
11	87655046		3 SPECIAL WASHER 10.65mm ID x 23mm OD x 2.2mm Thk
12	829-1408		4 NUT Hex, M8 x 1.25, CI 10.9
13	87429952		2 SLEEVE 8.5mm ID x 11.132mm OD x 9mm L Spacer, Stud Dowel Ring
14	814-8120		2 BOLT Hex, M8 x 1.25 x 120mm, CI 8.8
15	814-8110		2 BOLT Hex, M8 x 1.25 x 110mm, CI 8.8
16	814-10070		3 BOLT Hex, M10 x 1.5 x 70mm, CI 8.8
17	827-8035		2 BOLT Hex, M8 x 1.25 x 35mm, CI 10.9
18	L11541		2 CABLE TIE 203.2mm L, Nylon
19	1 84412148		1 SERVICE KIT Air Conditioning HPRC, Incl 1 - 18

(1) To See Full DIA KIT Composition Look for all the Figures Where the DIA KIT P/N Is Shown

590SN-BACKHOE LOADER - TIER 3 NRC

SECTION INDEX

ELECTRICAL SYSTEMS

55.512.CL	02	6-SPOOL, 7-SPOOL, PILOT CONTROLS, RIGHT, RH, JOYSTICK, BUTTON
55.512.CL	03	6-SPOOL, 7-SPOOL, PILOT CONTROLS, RIGHT, LH, JOYSTICK, BUTTON
55.512.CL	04	7-SPOOL, 8-SPOOL, PILOT CONTROLS, RIGHT, LH, JOYSTICK, BUTTON
55.512.CL	05	7-SPOOL, 8-SPOOL, PILOT CONTROLS, RIGHT, RH, JOYSTICK, BUTTON
55.512.CL	06	3-SPOOL, MECHANICAL, LOADER, JOYSTICK MOUNTING
55.512.CL	07	3-SPOOL, MECHANICAL, LOADER, JOYSTICK, COMPONENTS
55.512.CL	08	2-SPOOL, MECHANICAL, LOADER, JOYSTICK MOUNTING
55.512.CL	09	2-SPOOL, MECHANICAL, LOADER, JOYSTICK, COMPONENTS
55.512.CL	10	3-SPOOL, POWERSHIFT, LOADER, JOYSTICK MOUNTING
55.512.CL	11	3-SPOOL, POWERSHIFT, LOADER, JOYSTICK, COMPONENTS
55.512.CL	12	2-SPOOL, POWERSHIFT, LOADER, JOYSTICK MOUNTING
55.512.CL	13	2-SPOOL, POWERSHIFT, LOADER, JOYSTICK, COMPONENTS
55.512.CQ		VAR - 747770, 747851 - SEAT, MECHANICAL, SUSPENSION, SWITCH, HARNESS
55.513.AC		VAR - 423062 - TRANSMISSION, POWERSHIFT, AUTO/MANUAL ATC SWITCH
55.513.AV	01	VAR - 423058, 423059 - TRANSMISSION, POWERSHUTTLE, GEARSHIFT, LEVER
55.513.AV	02	VAR - 423062 - TRANSMISSION, POWERSHIFT, GEARSHIFT, LEVER
55.514.AA	01	VAR - 442083 - CAB, INTERIOR LIGHT
55.514.AA	02	VAR - 442083 - CAB, INTERIOR LIGHT
55.514.AV		VAR - 747853, 747854, 747855 - DOOR SWITCH, LIGHT
55.514.AZ	01	CONSOLE, LIGHT
55.518.AB		VAR - 747853, 747854, 747855 - CAB, WINDSHIELD WASHER , SWITCH
55.518.AH		VAR - 747853, 747854, 747855 - WINDOW, REAR, WIPER ARM
55.518.AI		VAR - 747853, 747854, 747855 - WINDOW, REAR, WIPER MOTOR
55.518.AP	01	VAR - 747853, 747854, 747855 - CAB, ONE AND TWO DOORS, FRONT WASHER WINDSCHIELD
55.518.AP	02	VAR - 423000 - DELUXE, CANOPY, WINDSHIELD WASHER
55.518.AW	01	VAR - 423000, 747853, 747854, 747855 - WINDSHIELD WIPER, ARM
55.518.AW	02	VAR - 423000, 442082 - CANOPY, FRONT, WIPER ARM
55.518.AY	01	VAR - 423000 - DELUXE, CANOPY, WIPER, SWITCH
55.518.AY	04	VAR - 747853, 747854, 747855 - CAB, WINDSHIELD, FRONT, SWITCH
55.518.AY	05	VAR - 747853, 747854, 747855 - CAB, WINDSHIELD WIPER SWITCH, REAR
55.518.AY	07	VAR - 747853, 747854, 747855 - CAB, SWITCH, ROCKER
55.518.AY	08	VAR - 747853, 747854, 747855 - CAB, WASHER, WINDSHIELD, SWITCH
55.518.AZ	01	VAR - 747853, 747854, 747855 - CAB, WINDSHIELD WIPER, MOTOR, FRONT

55.020.AB

01

p1

1/2019

VAR - 423060, 423061 - TRANSMISSION, SEMI-POWERSHIFT, SPEED SENSOR

REF FN	PART NUMBER	YR/SN	QTY DESCRIPTION
1	1 84473366		1 SENSOR Semi-Powershift Transmission, Speed
2	84336879		1 WASHER Speed Sensor, 4.8mm Thk
(1)	Discard Included 2.5mm Thk Washer		

590SN-BACKHOE LOADER - TIER 3 NRC

55.024.AG

02

p1

1/2019

VAR - 423062 - TRANSMISSION, POWERSHIFT, CONTROL VALVE, SOLENOID, HARNESS

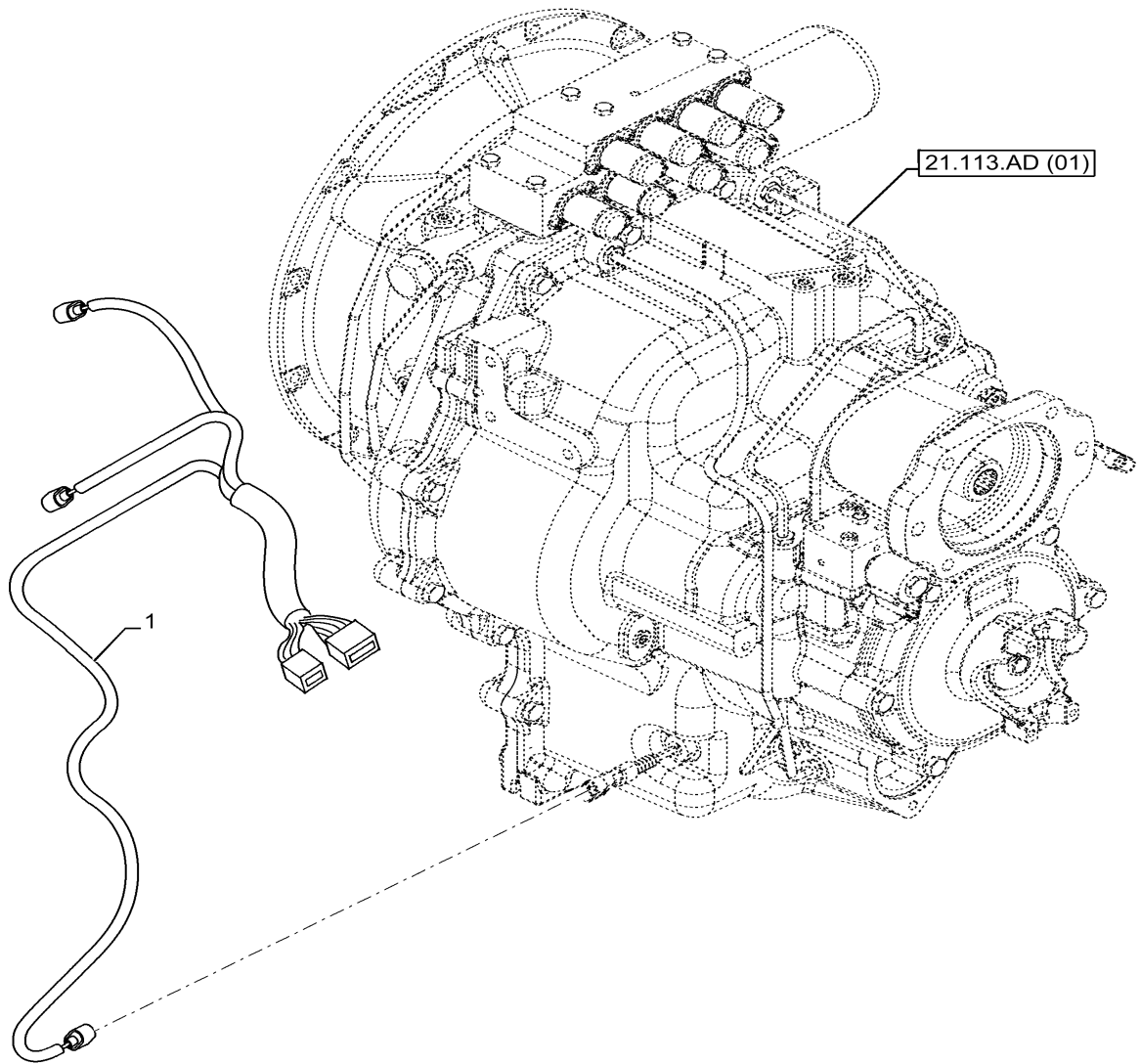


Figure is Valid with Industrial Var. 423062

55.036.AF

p1

1/2019

HYDRAULIC, FLUID, FILTER, RESTRICTOR, SENSOR

REF FN	PART NUMBER	YR/SN	QTY DESCRIPTION
1	84292224		1 WIRE HARNESS Hydraulic Filter Restrict

590SN-BACKHOE LOADER - TIER 3 NRC

55.100.AI

01

p1

1/2019

VAR - 423083 - HARNESS, HAMMER, MECHANICAL, CONTROL

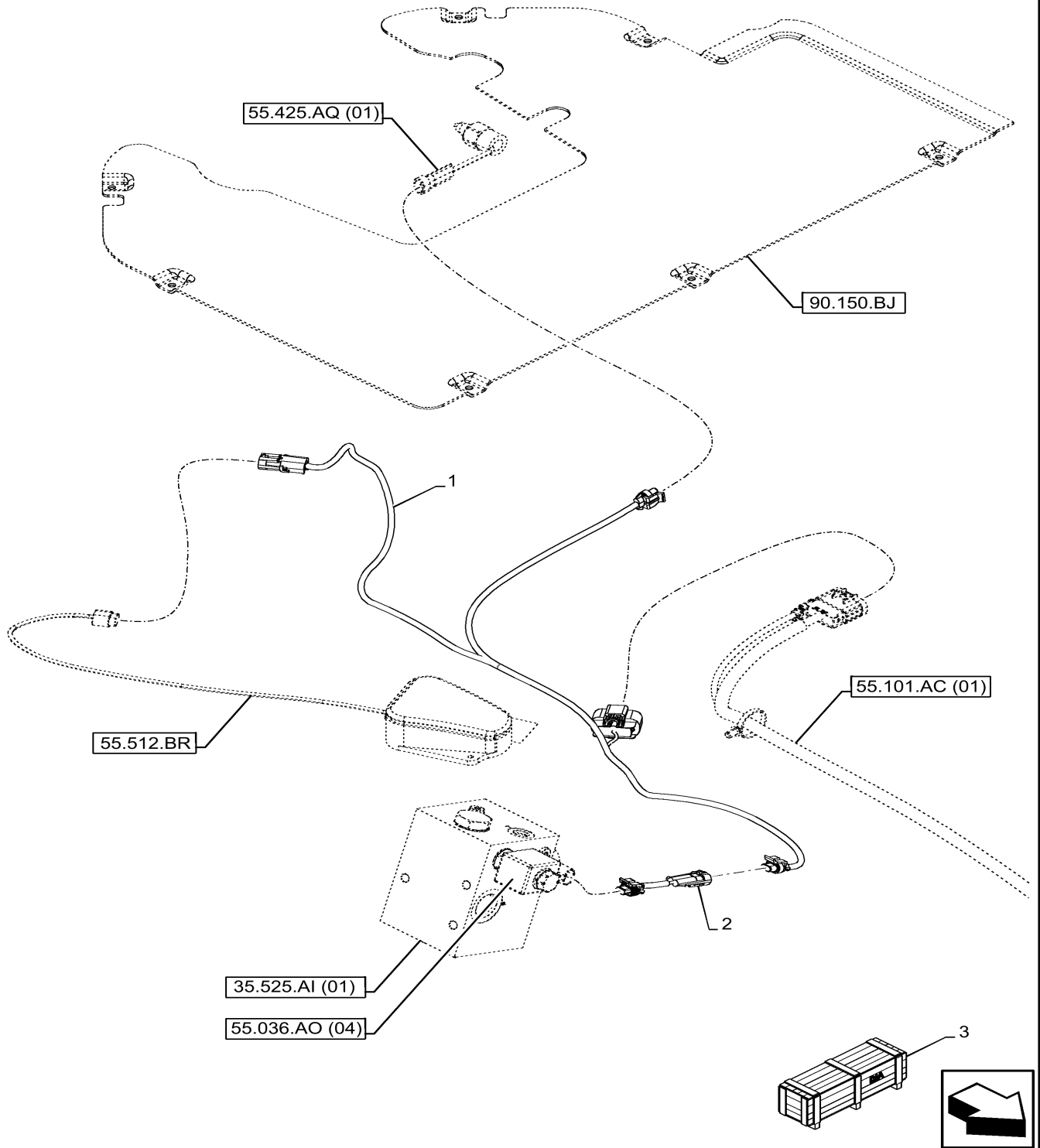


Figure is Valid with Industrial Var. 423083

VAR - 423060, 423061, 423062 - SIDE PANEL, RH, WIRE HARNESS, DECAL, RELAY, FUSE BOX

REF	FN	PART NUMBER	YR/SN	QTY DESCRIPTION
1	1	84292425		1 HARNESS ASSY, Side Console, Incl 2 - 12
2		NSS		1 NOT SOLD SEPARAT Harness, Incl in 1
3		121410A1		5 FUSE 5A, Mini, Tan
4		121412A1		2 FUSE 10A, Mini, Red
5		87655334		1 RELAY 12V, 35A, Micro
6		416569A1		6 DIODE ELEMENT 7300W
7		84292399		6 KEY 7,7mm L x 9mm H
8		845-6020		2 BOLT Hvy Hex, M6 x 20mm, Cl 8.8
9		84380518		1 FUSE BOX ASSY, Incl 10 - 11
10		NSS		1 NOT SOLD SEPARAT Box, Incl in 9
11		84404932		1 COVER
12		84342278		6 CONNECTING BLOCK

(1) See Side Console Wire Harness Components also in Figure 55.100.DO 06, 55.100.DO 08, 90.108.AA 03

590SN-BACKHOE LOADER - TIER 3 NRC

DUAL BATTERY

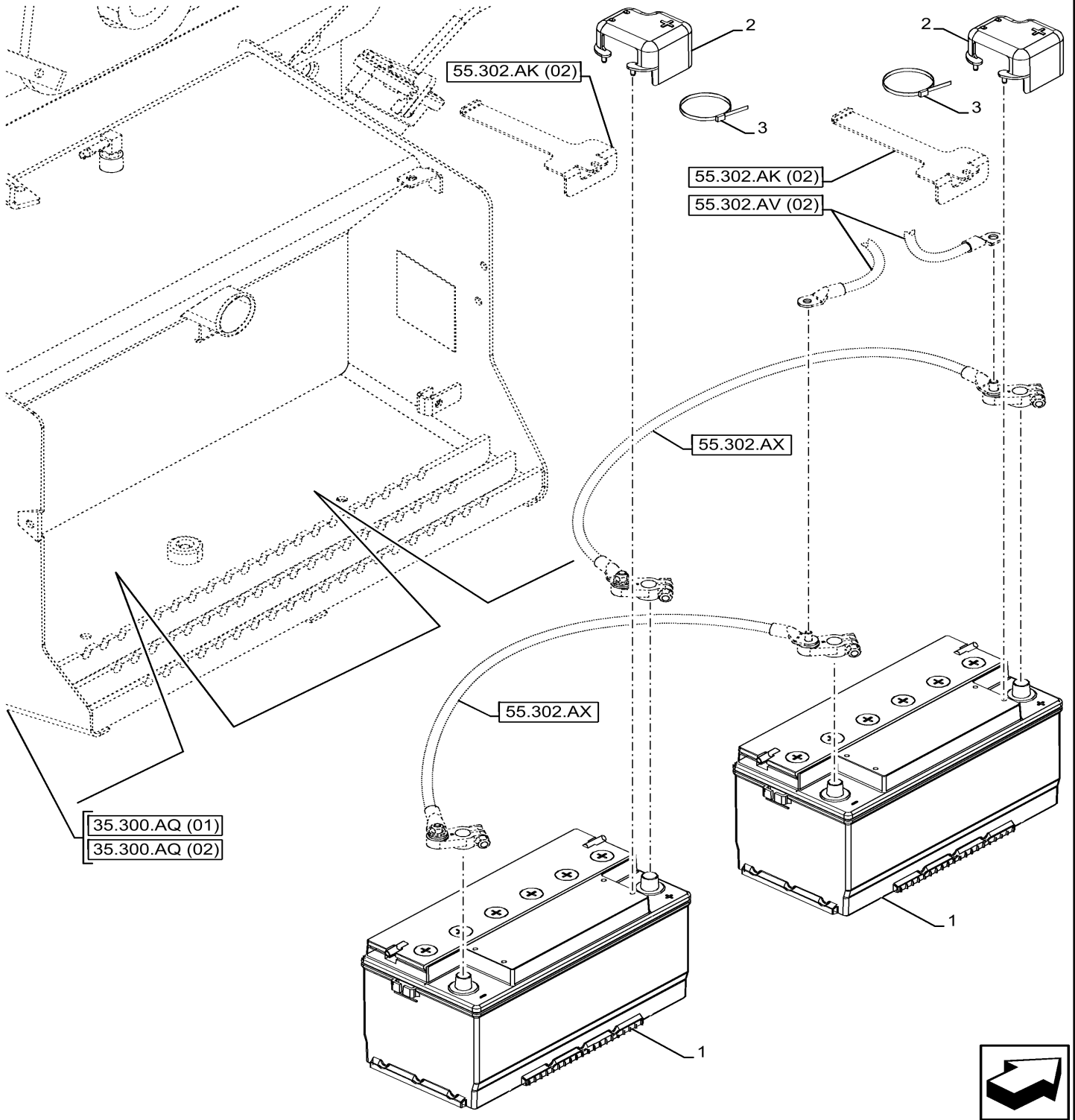


Figure is Valid with Industrial Var. 423093

55.404.BS

02

p1

1/2019

VAR - 423000, 442082 - CANOPY, WORK LIGHT, REAR

REF FN	PART NUMBER	YR/SN	QTY DESCRIPTION
1	87584890		6 LIGHT ASSY. Halogen, 12V, 55W, Clear Work, ASSY, Incl 2, 3
1	47682620		6 WORK LAMP Flood, LED, 12V LAMP, WORK, LED
2	NSS		6 NOT SOLD SEPARAT Work Light, Incl in 1
3	1312210C2		6 BULB Halogen H3, 12V, 55W 12V, 55W
4	128312A1		6 FLANGE BOLT Hvy Hex, M10 x 1.5 x 15mm, Gr 8.8

590SN-BACKHOE LOADER - TIER 3 NRC

55.405.CI

02

p1

1/2019

VAR - 423000, 442082, 442085, 747853, 747854, 747855 - WORK LIGHT, SWITCH

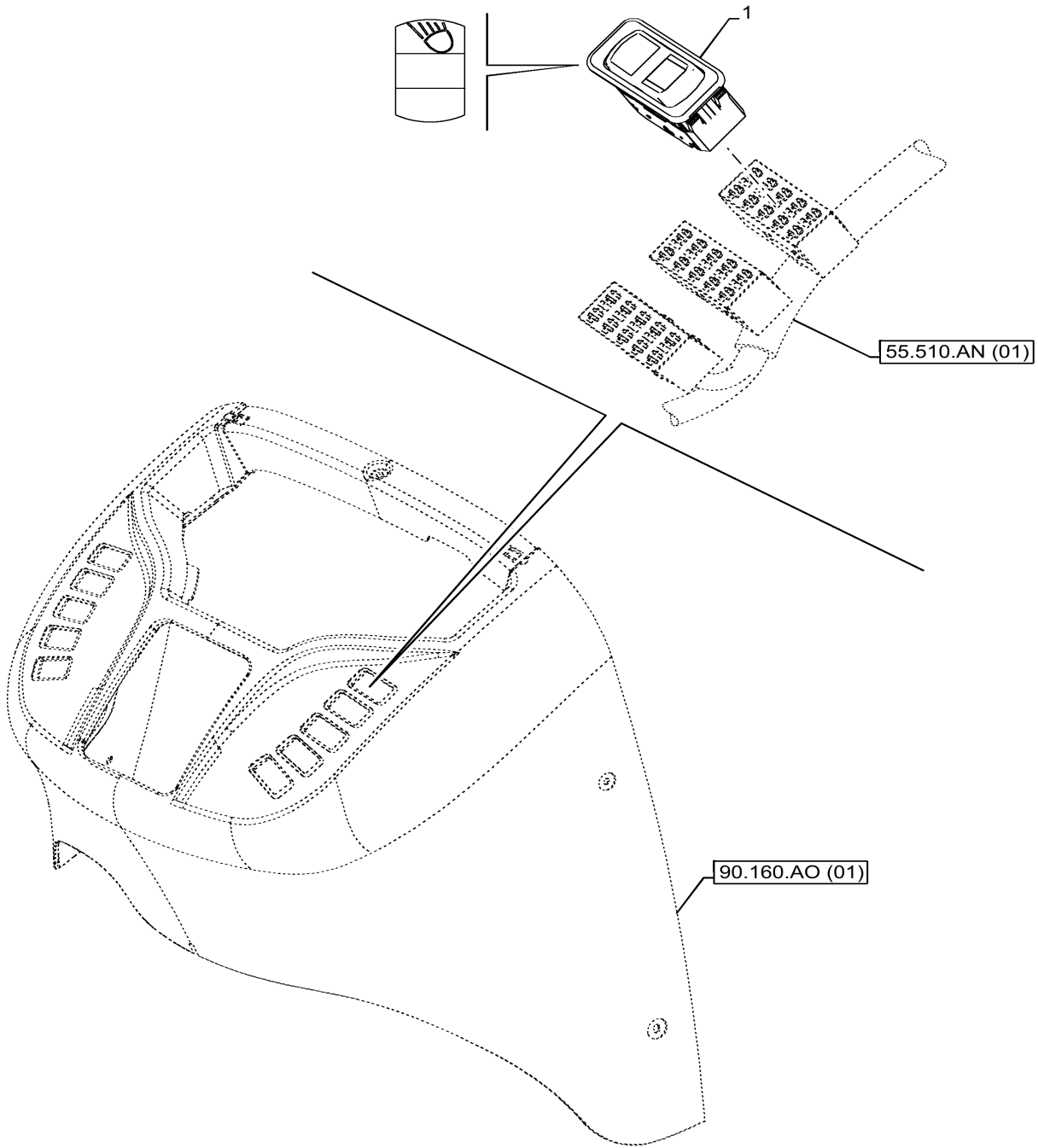


Figure is Valid with Industrial Var. 423000, 442082, 442085, 747853, 747854, 747855

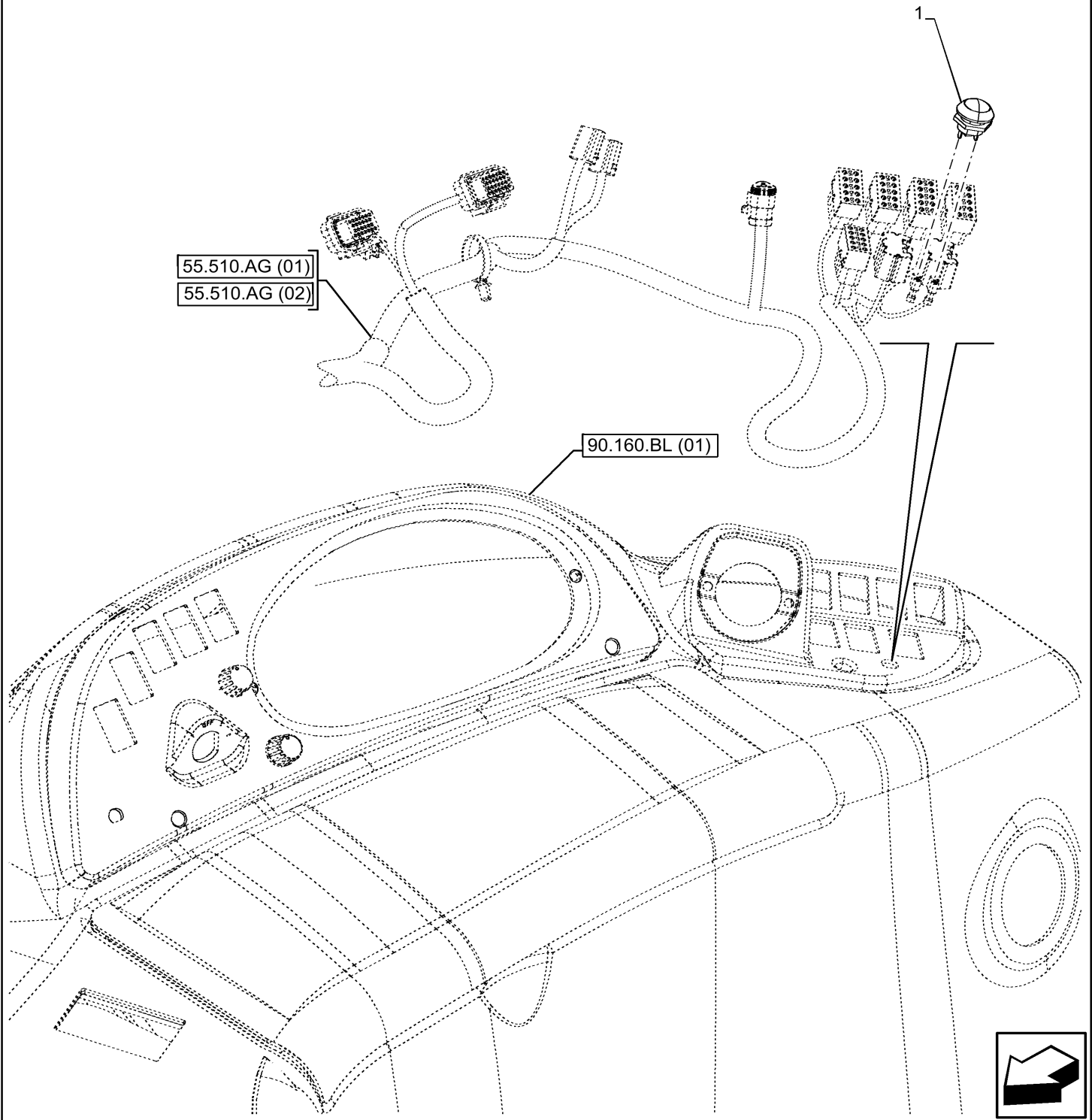
VAR - 423058, 423059 - SIDE PANEL, RH, WIRE HARNESS

REF FN	PART NUMBER	YR/SN	QTY DESCRIPTION
1 1	84292421		1 WIRE HARNESS Side Console, Standard Transmission, ASSY, Incl 2 - 4
2	84292420		1 WIRE HARNESS Side Console
3	L11541		3 CABLE TIE 203.2mm L, Nylon
4	84292402		3 CABLE TIE 203mm L
5	515-23444		1 CLAMP 1 3/4", Insul, 3/8" Bolt
6	87655042		1 SPECIAL WASHER 8.8mm ID x 17.5mm OD x 2.2mm Thk
7	892-11008		1 LOCK WASHER 8mm ID
8	824-1408		1 NUT M8 x 1.25, CI 10
9	614-8030		1 BOLT Hex, M8 x 1.25 x 30mm, CI 8.8, Full Thd
10	844-10020		1 BOLT Hvy Hex, M10 x 20mm, CI 8.8
11	832-10406		2 NUT M6 x 1, CI 8
12	844-6025		2 BOLT Hvy Hex, M6 x 25mm, CI 8.8

(1) See Side Console Wire Harness Components also in Figure 55.100.DO 03, 55.100.DO 04, 55.100.DO 05, 90.108.AA 02

590SN-BACKHOE LOADER - TIER 3 NRC

SWITCH, HORN



55.512.CL

04

p1

1/2019

7-SPOOL, 8-SPOOL, PILOT CONTROLS, RIGHT, LH, JOYSTICK, BUTTON

REF FN	PART NUMBER	YR/SN	QTY DESCRIPTION
1	87437372		1 SWITCH ASSY
2	84134639		2 SWITCH Push Button Proportional
3	225350C1		1 ELEC CONNECTOR Male, 6 Pin
4	225315C1		1 ELEC CONNECTOR Male, 2 Pin
5	225318C1		1 ELEC CONNECTOR 2 Pin
6	225353C1		1 WEDGE Lock, Black

590SN-BACKHOE LOADER - TIER 3 NRC

55.513.AV

02

p1

1/2019

VAR - 423062 - TRANSMISSION, POWERSHIFT, GEARSHIFT, LEVER

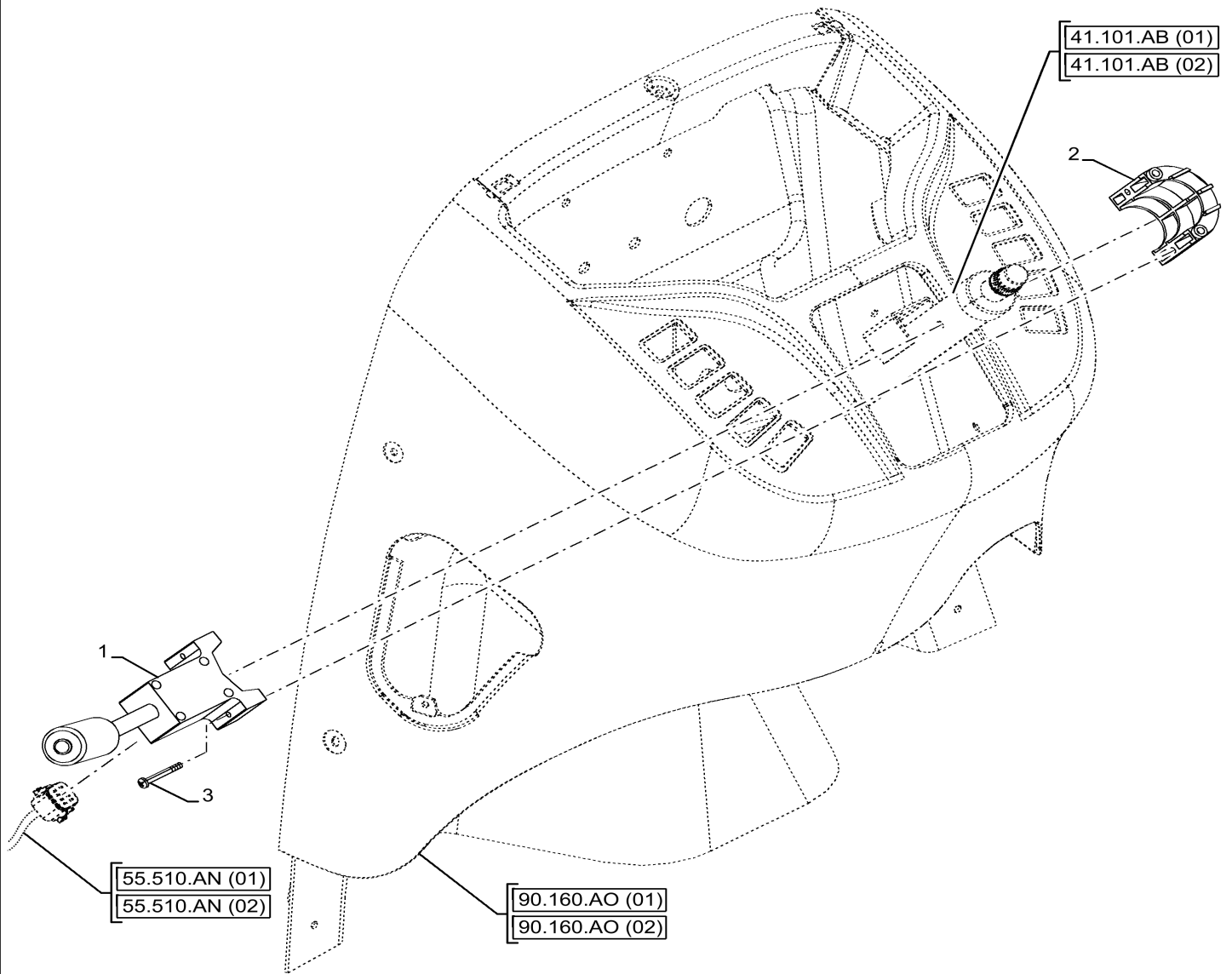


Figure is Valid with Industrial Var. 423062

55.518.AY

01

p1

1/2019

VAR - 423000 - DELUXE, CANOPY, WIPER, SWITCH

REF FN	PART NUMBER	YR/SN	QTY DESCRIPTION
1	84222277		1 SWITCH Windshield Wiper
2	84222279		1 WINDSHIELD WASHER SW
3 1	47605397		1 CONSTRUCTION DIA Canopy Conversion Narrow, Incl 1, 2
3 1	47605399		1 CONSTRUCTION DIA Canopy Conversion Wide, Incl 1, 2

(1) To See Full DIA KIT Composition Look for all the Figures Where the DIA KIT P/N Is Shown

590SN-BACKHOE LOADER - TIER 3 NRC

55.526.AF

01

p1

1/2019

VAR - 423059 - TRANSMISSION, POWERSHUTTLE, RIDE CONTROL SWITCH

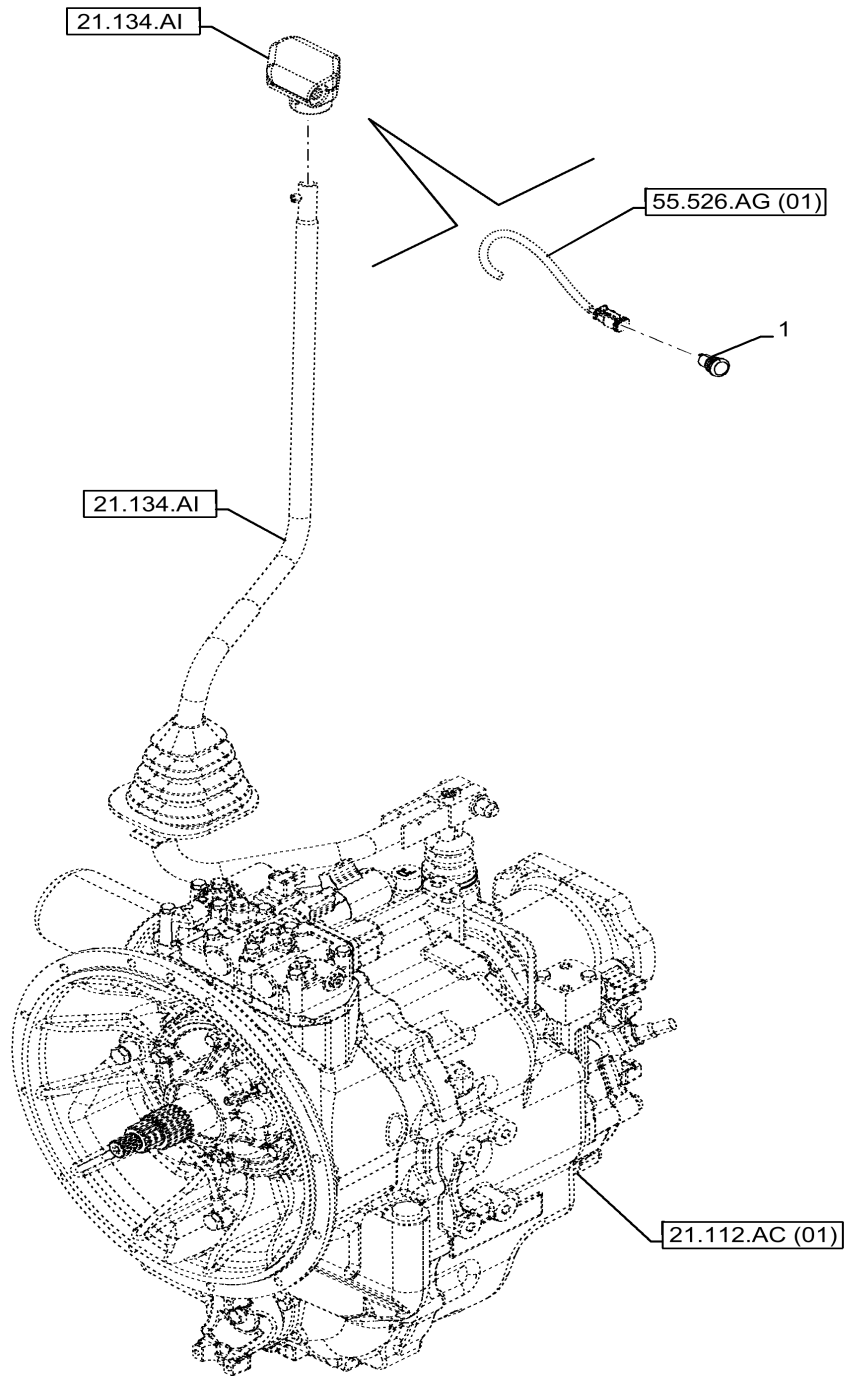


Figure is Valid with Industrial Var. 423059

VAR - 742433 - LOADER ARM, LINK AND GAUGE

REF FN	PART NUMBER	YR/SN	QTY DESCRIPTION
1	250851A1		1 POINTER Indicator
2	84301385		1 LINK BLOCK Anti-Rollback, ASSY, Incl 3, 4
3	NSS		1 NOT SOLD SEPARAT Link, Incl in 2
4	84218019		1 BUSHING 55.23mm ID x 64.97mm OD x 25.4mm L
5	614-8030		2 BOLT Hex, M8 x 1.25 x 30mm, CI 8.8, Full Thd
6	87655042		4 SPECIAL WASHER 8.8mm ID x 17.5mm OD x 2.2mm Thk
7	829-1408		2 NUT Hex, M8 x 1.25, CI 10.9
8 1	47540572		1 CONSTRUCTION DIA Bucket 93 Inch 4 in 1, Incl 1 - 7
8 1	84571018		1 BUCKET Bucket 93 Inch 4 in 1, Incl 1, 5 - 7

(1) To See Full DIA KIT Composition Look for all the Figures Where the DIA KIT P/N Is Shown

590SN-BACKHOE LOADER - TIER 3 NRC

84.100.AB

01

p1

1/2019

VAR - 423066 - BUCKET, UNIVERSAL 12INCH/305MM

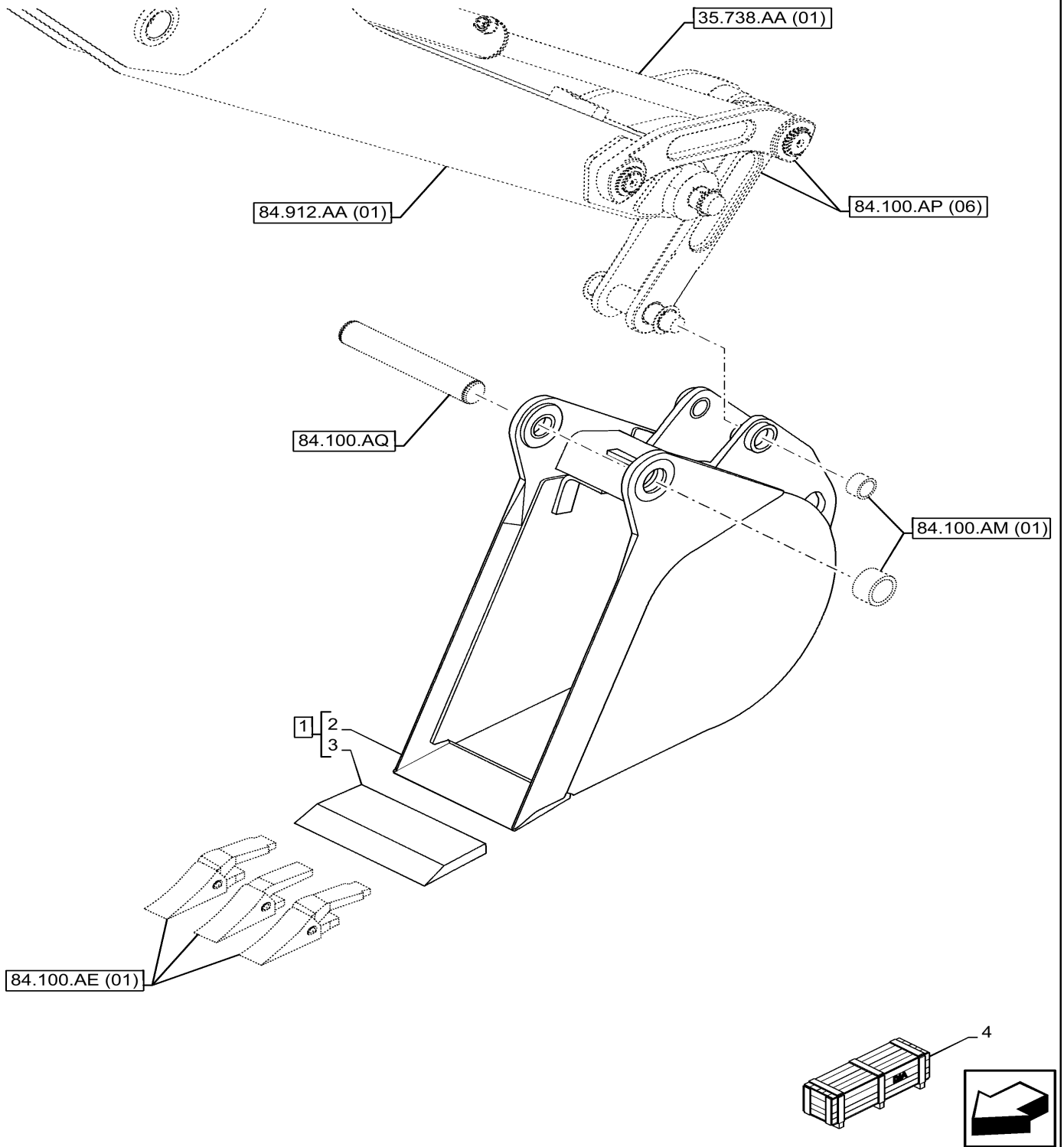


Figure is Valid with Industrial Var. 423066

84.100.AE

06

p1

1/2019

VAR - 423072 - BUCKET, HIGH CAPACITY 24INCH/610MM, TEETH

REF FN	PART NUMBER	YR/SN	QTY DESCRIPTION
1	84424392		2 BUCKET TOOTH SHANK Outer
2	84318739		5 BUCKET TOOTH KEY
3	84318713		5 BUCKET TOOTH
4	84318729		3 BUCKET TOOTH SHANK Center
5	¹² 84467277		1 BUCKET Bucket, 24 Inch HI-Capacity, Incl 1 - 4

(1) Valid for 580N, 580SN WT Models Only**(2) To See Full DIA KIT Composition Look for all the Figures Where the DIA KIT P/N Is Shown****590SN-BACKHOE LOADER - TIER 3 NRC**

84.100.AP

04

p2

1/2019

VAR - 745162 - BACKHOE BUCKET, UNIVERSAL COUPLER, STANDARD DIPPER

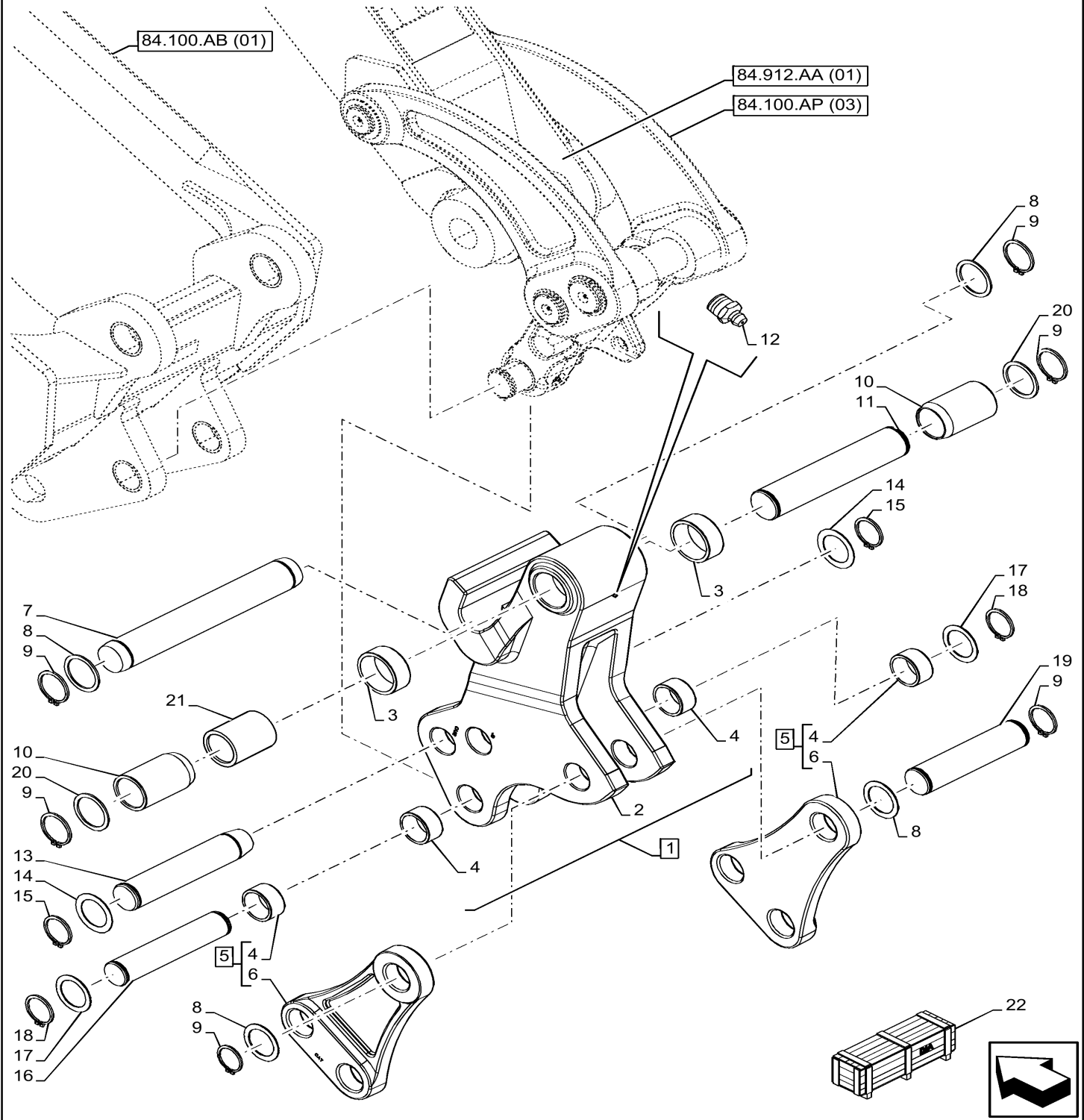
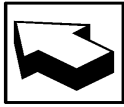


Figure is Valid with Industrial Var. 745162



BOOM, GUARD

REF FN	PART NUMBER	YR/SN	QTY DESCRIPTION
1	84260388		1 GUARD
2	811-12040		2 CARRIAGE BOLT Sht Sq Nk, M12 x 1.75 x 40mm, CI 8.8
3	84227693		2 CARRIAGE BOLT Reg Sq Nk, M12 x 1.75 x 65mm, CI 8.8
4	86592701		8 WASHER 13mm ID x 35mm OD x 5mm Thk
5	829-1412		4 NUT M12, CI 10.9
6 1	84546982		1 CONSTRUCTION DIA No Auxiliary to Combo Auxiliary, Mechanical Control, Extendable Dipper, Incl 1 - 5
6 1	84546985		1 CONSTRUCTION DIA No Auxiliary to Combo Auxiliary, Mechanical Control, Extendable Dipper, Incl 1 - 5
6 1	47501547		1 CONSTRUCTION DIA No Auxiliary to Combo, Pilot Control, Extendable Dipper, Incl 1 - 5
6 1	47501542		1 CONSTRUCTION DIA No Auxiliary to Combo, Pilot Control, Extendable Dipper, Incl 1 - 5
6 1	47662021		1 CONSTRUCTION DIA No Auxiliary to Combo, Pilot Control, Extendable Dipper, Incl 1 - 5
6 1	84546980		1 CONSTRUCTION DIA No Auxiliary to Combo Auxiliary, Mechanical Control, Standard Dipper, Incl 1 - 5
6 1	84546983		1 CONSTRUCTION DIA No Auxiliary to Combo Auxiliary, Mechanical Control, Standard Dipper, Incl 1 - 5
6 1	47501545		1 CONSTRUCTION DIA No Auxiliary to Combo, Pilot Control, Standard Dipper, Incl 1 - 5

(1) To See Full DIA KIT Composition Look for all the Figures Where the DIA KIT P/N Is Shown

590SN-BACKHOE LOADER - TIER 3 NRC

84.912.AD

01

p1

1/2019

STANDARD DIPPER, BUSHING

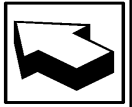
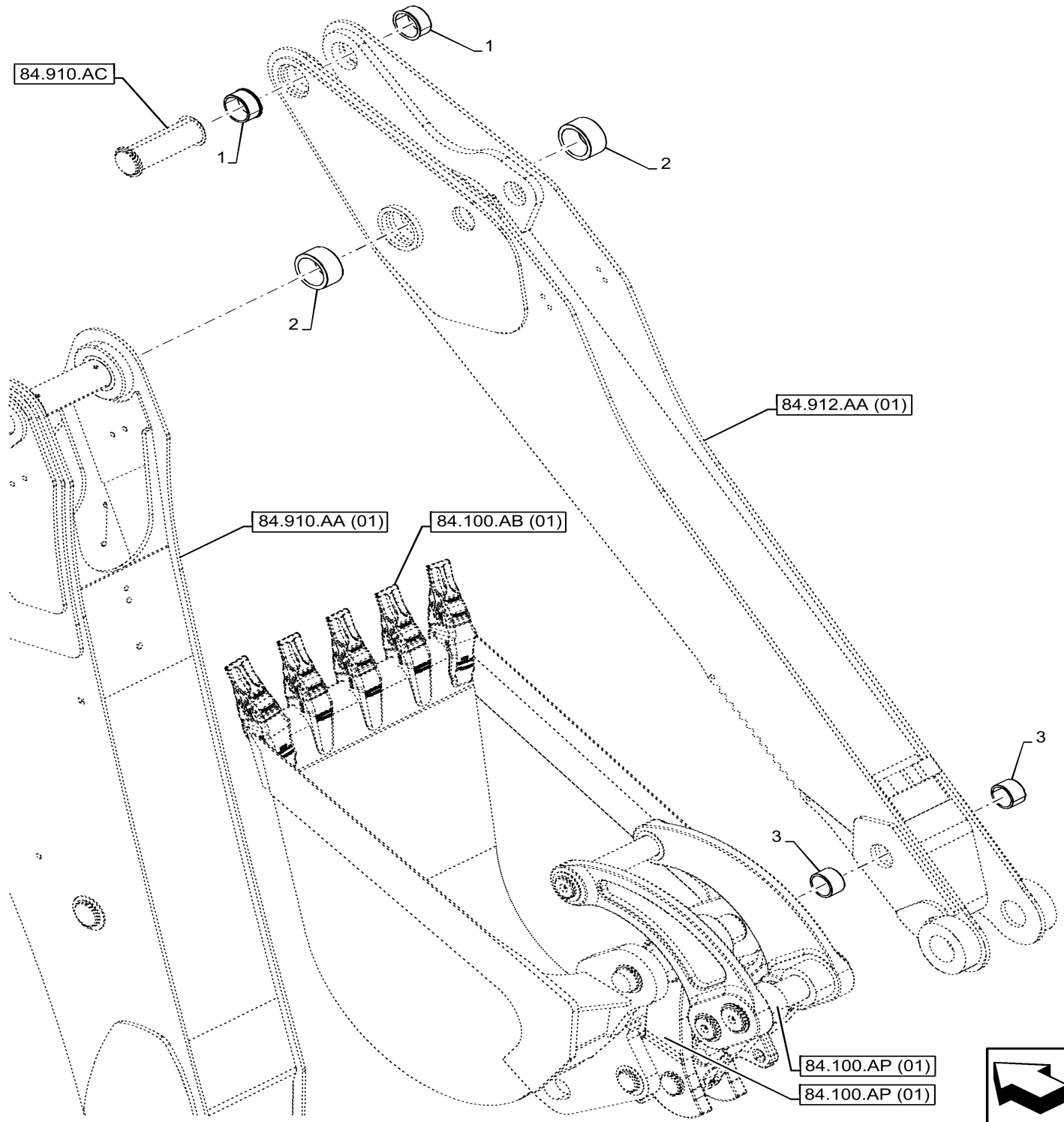


Figure is Valid when Commercial Var. 423075 Standard Dipper and Var. X20039X W/O Backhoe Coupler is Equipped

DIA KIT, HYDRAULIC SYSTEM

REF	FN	PART NUMBER	YR/SN	QTY	DESCRIPTION
9	1	84396879		1	CONSTRUCTION DIA Uni to Combo Auxiliary. Instruction P/N 84493064
10	2	47661834		1	CONSTRUCTION DIA No-Auxiliary to Combo. Instruction P/N 47661836
11	3	47662021		1	CONSTRUCTION DIA No-Auxiliary to Combo. Instruction P/N 48106428
12	4	84546980		1	CONSTRUCTION DIA No-Auxiliary to Combo Auxiliary. Instruction P/N 84546981
12	5	84546982		1	CONSTRUCTION DIA No-Auxiliary to Combo Auxiliary. Instruction P/N 84546981
13	6	84546983		1	CONSTRUCTION DIA No-Auxiliary to Combo Auxiliary. Instruction P/N 84546984
13	7	84546985		1	CONSTRUCTION DIA No-Auxiliary to Combo Auxiliary. Instruction P/N 84546984
14	8	47501542		1	CONSTRUCTION DIA No-Auxiliary to Combo. Instruction P/N 47607733
15	9	47501543		1	CONSTRUCTION DIA No-Auxiliary to Combo. Instruction P/N 47607727
16	¹⁰	47501544		1	CONSTRUCTION DIA No-Auxiliary to Combo. Instruction P/N 47607728

- (1) Valid for All Models, W/Mechanical Control & Extendable Dipper
- (2) Valid for 580N Model Only, W/Pilot Control & Standard Dipper
- (3) Valid for 580SN, Model Only, W/Pilot Control & Extendable Dipper
- (4) Valid for 580N, 580SN, 580SN WT Models Only, W/Mechanical Control & Standard Dipper
- (5) Valid for 580N, 580SN, 580SN WT Models Only, W/Mechanical Control & Extendable Dipper
- (6) Valid for 590SN, Model Only, W/Mechanical Control & Standard Dipper
- (7) Valid for 590SN, Model Only, W/Mechanical Control & Extendable Dipper
- (8) Valid for 590SN, Model Only, W/Pilot Control & Extendable Dipper
- (9) Valid for 580SN, Model Only, W/Pilot Control & Standard Dipper
- (10) Valid for 590SN, Model Only, W/Pilot Control & Standard Dipper

590SN-BACKHOE LOADER - TIER 3 NRC

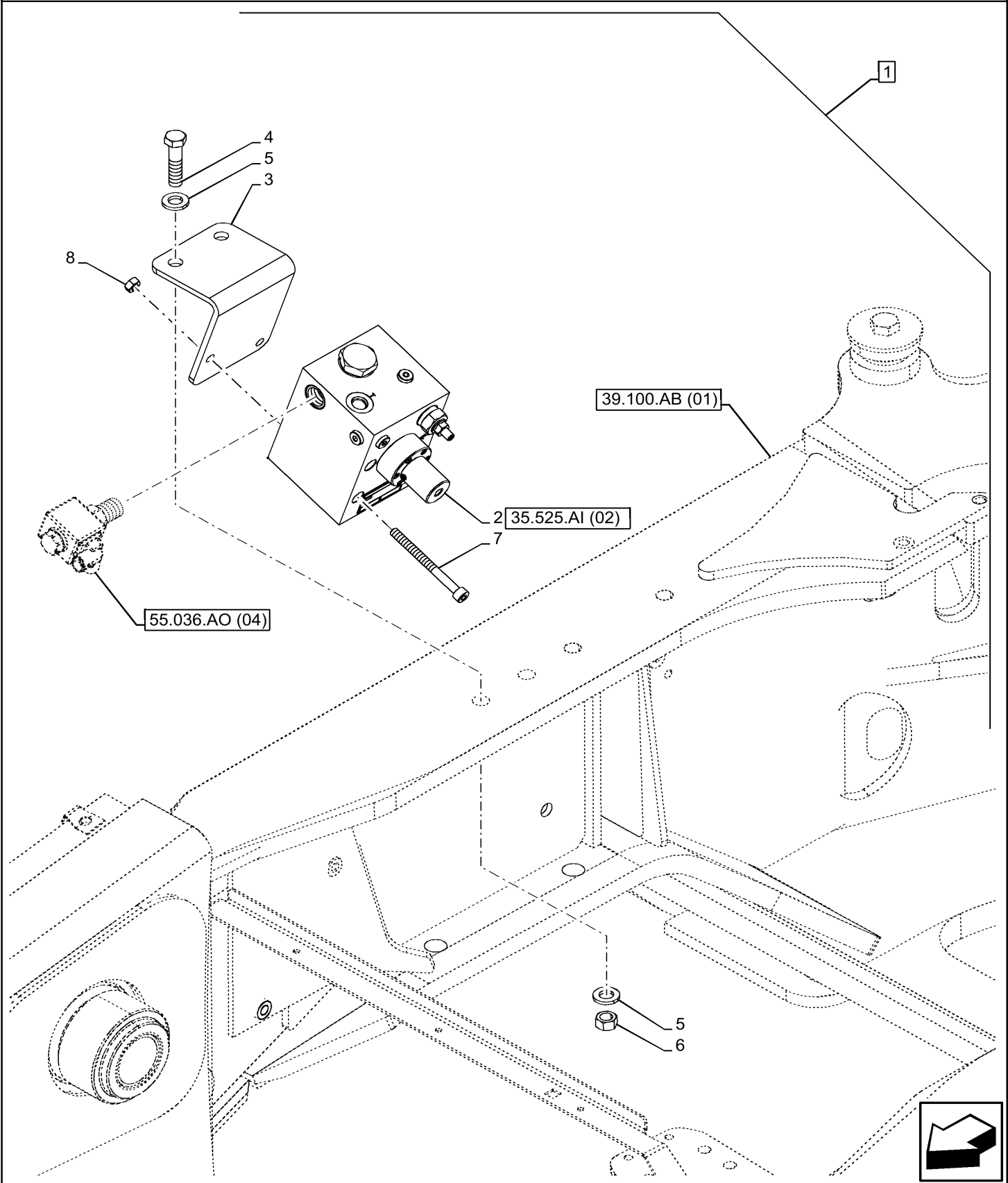
88.100.35

034

p1

1/2019

DIA KIT, NO AUX TO COMBO AUX, MC, STD



88.100.35

059

p1

1/2019

DIA KIT, NO AUX TO COMBO, EHOE, PC

REF FN	PART NUMBER	YR/SN	QTY DESCRIPTION
1	47501542		1 CONSTRUCTION DIA No Auxiliary to Combo, Extendable Dipper, Pilot Control, Incl 2 - 9
2	84573738		1 HOSE 10mm ID x 560mm L
3	84989392		1 ELBOW 90 Degree, 11/16"-16 ORFS x 11/16"-16 Fem Sw ASSY, Incl 5, 6
4	NSS		1 NOT SOLD SEPARAT 90°Elbow, Incl in 4
5	9993141		2 O-RING 0.07" Thk x 0.364" ID, -12, Cl 6, 90 Duro
6	143219A1		1 HOSE PROTECTION 19mm ID x 24mm OD x 450mm L
7	9840543		1 90 ELBOW 90 Degree, 11/16"-16 x 9/16"-18 Adj, ORFS ASSY, Incl 6, 9, 10
8	NSS		1 NOT SOLD SEPARAT 90° Elbow, Incl in 8
9	9617873		1 O-RING 0.078" Thk x 0.468" ID, -906, Cl 6, 90 Duro

590SN-BACKHOE LOADER - TIER 3 NRC

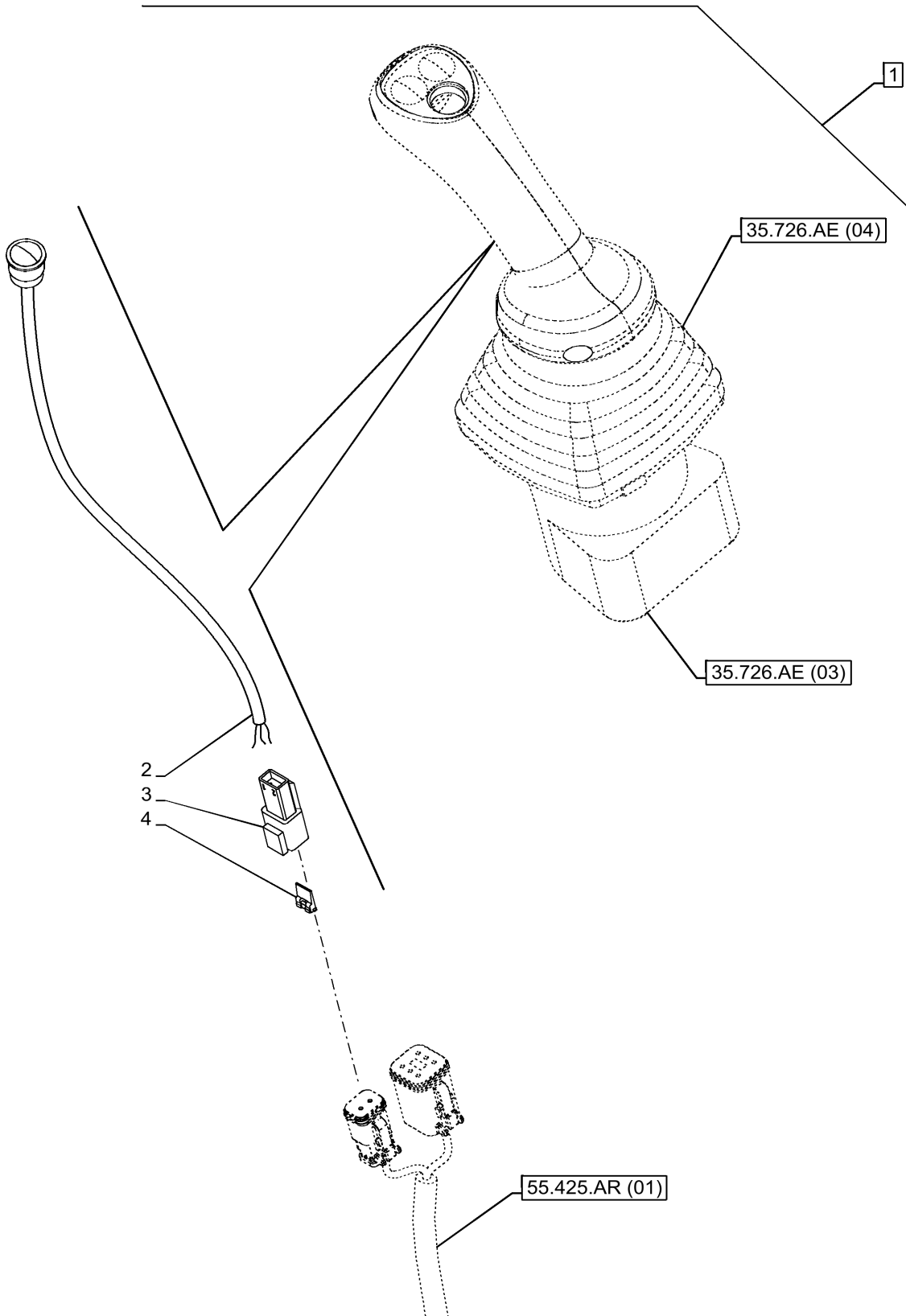
88.100.35

091

p1

1/2019

DIA KIT, DIPPER OSCILLATION



88.100.35

103

p1

1/2019

DIA KIT, DIPPER OSCILLATION

REF FN	PART NUMBER	YR/SN	QTY DESCRIPTION
1	47593980		1 CONSTRUCTION DIA Dipper Oscillation, Incl 2 - 9
2	84278702		1 HYD VALVE SECTION Dipper, ASSY, Incl 3 - 9
3	NSS		1 NOT SOLD SEPARAT Valve, Incl in 2
4	85826344		1 KIT Operation
5	84295049		1 VALVE PRESSURE RELIE 283 Bar 283 bar
6	47422242		1 COMPENSATOR
7	84295050		1 VALVE PRESSURE RELIE 296 Bar 296 bar
8	87617657		1 O-RING KIT
9	85825473		1 SEAL KIT

590SN-BACKHOE LOADER - TIER 3 NRC

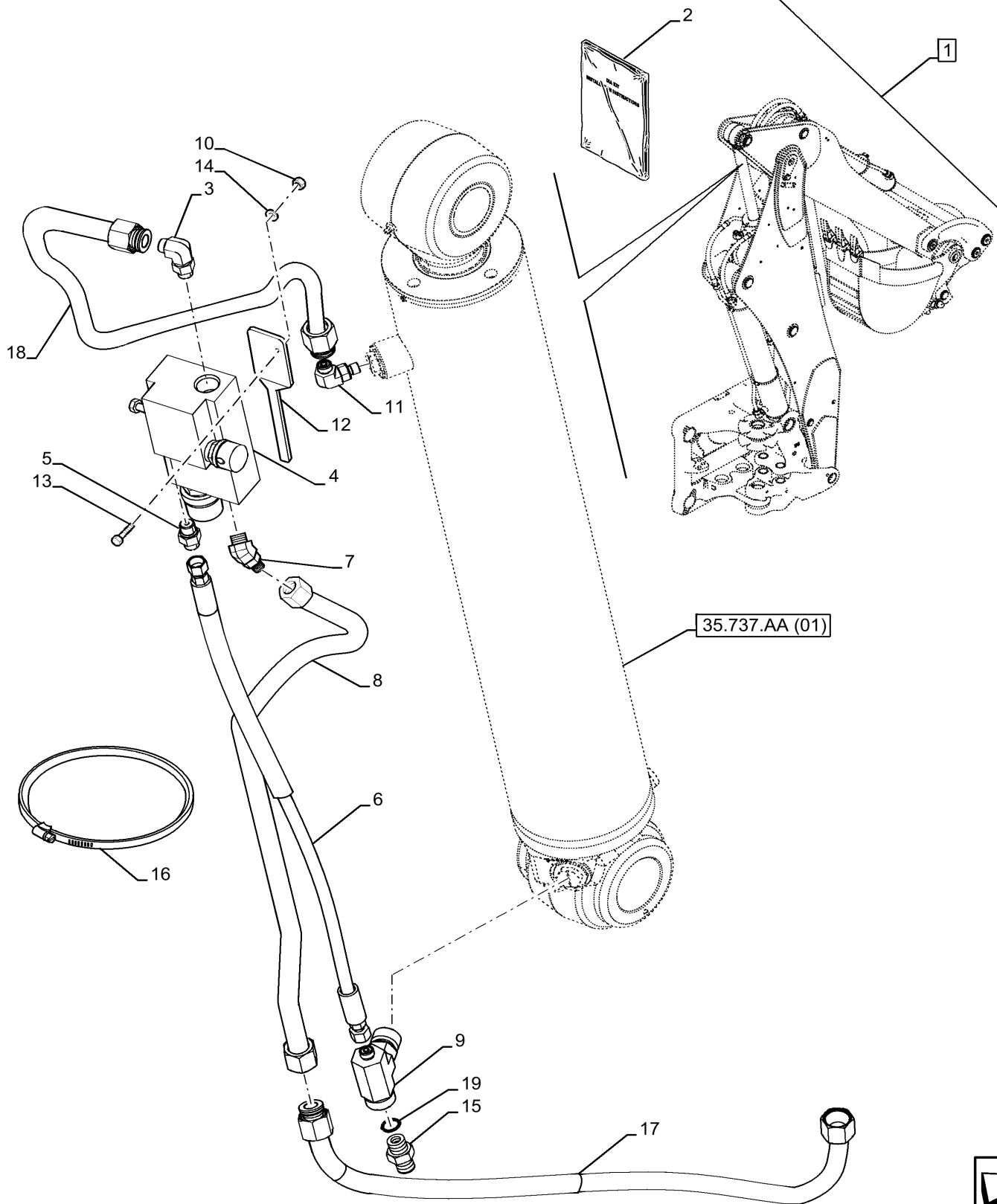
88.100.35

131

p1

1/2019

DIA KIT, DIPPER LOCK VALVE



88.100.55

01

p1

1/2019

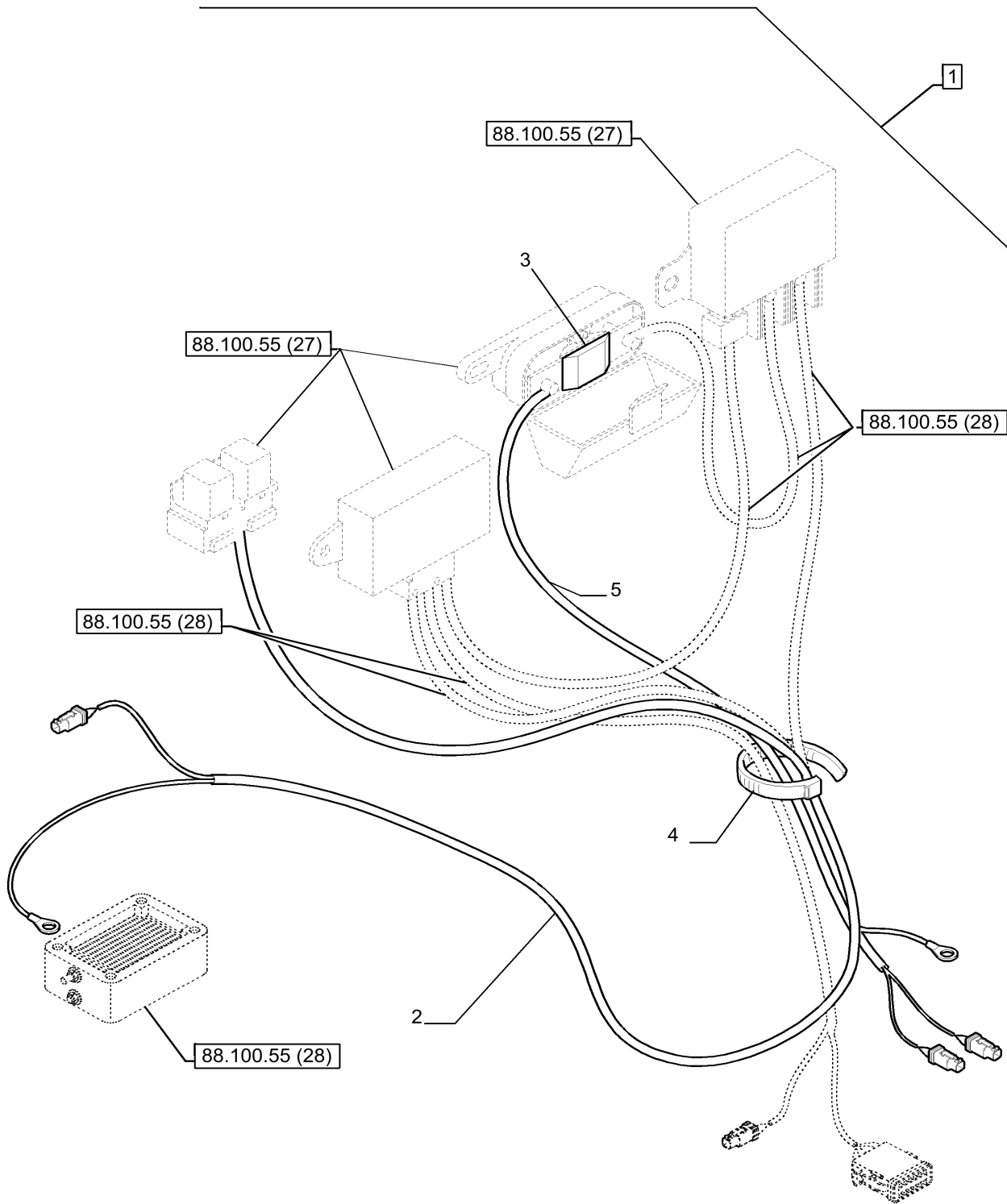
DIA KIT, DIA, MECH - 3 SPL - STD TRANS

REF	FN	PART NUMBER	YR/SN	QTY	DESCRIPTION
1	1	47661816		1	CONSTRUCTION DIA Kit, DIA MECH - 3 SPL - STD TRANS, Incl 2 -10
2		47661817		1	INSTRUCTION
3		87638047		1	JOYSTICK Loader ontrol 3 Spool, ASSY
4		225327C1		1	WEDGE Lock, Black
5		298176A1		1	PLUG 5,2mm Dia
6		256347A1		1	CONNECTOR, ELEC Male, 4 Cavities
7		258616A1		1	LOCK
8		256341A1		1	ELEC CONNECTOR Male, 2 Pin
9		258613A1		1	LOCK 23mm L x 11,3mm W
10		239451A1		1	MULTIPOLE CONNECTOR Female, 4 Pin

(1) Refer to Installation Instruction P/N for Correct Assembly Procedure

590SN-BACKHOE LOADER - TIER 3 NRC

DIA KIT, GRID HEATER INSTALLATION FOR TIER III HPCR ENGINE UNITS



88.100.88

00

p1

1/2019

DIA KIT, ACCESSORIES

REF FN	PART NUMBER	YR/SN	QTY DESCRIPTION
1	1 47408246		1 CONSTRUCTION DIA. Kit. Instruction P/N 47408984
(1)	Valid for All Models		

590SN-BACKHOE LOADER - TIER 3 NRC

DIA KIT, CONV FT SWG TO 2 LVR EHOE

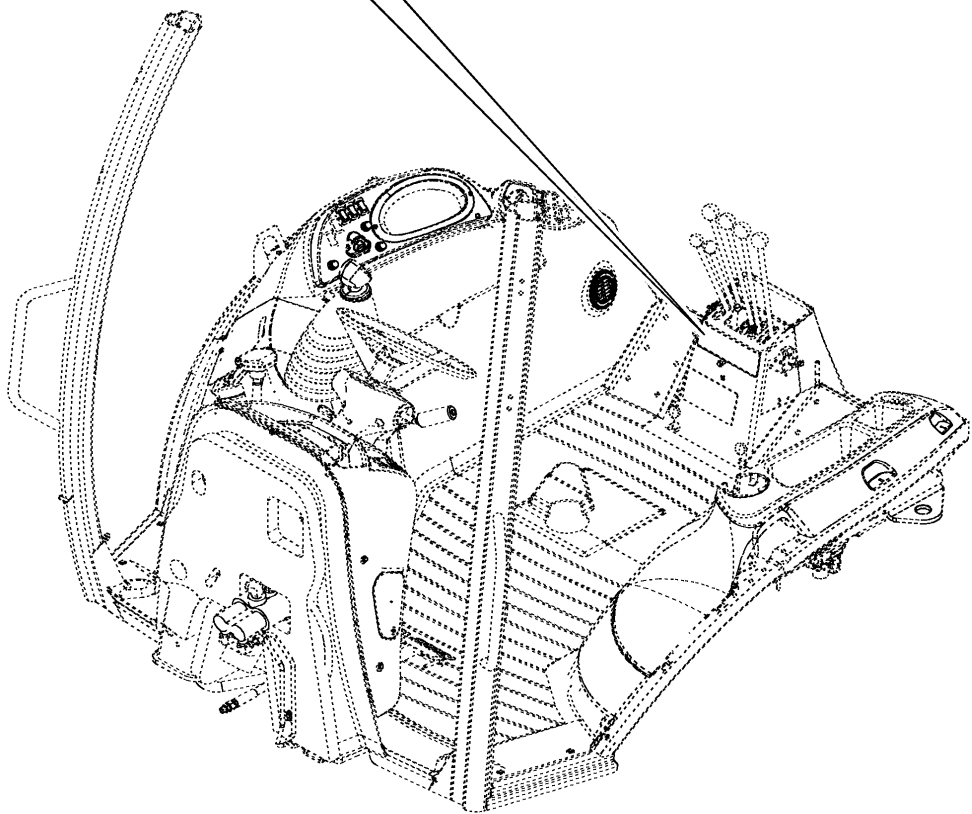
1

CAUTION OPERATE BACKHOE FROM SEAT POSITION ONLY
FOR TRANSPORT, USE OVERCENTER POSITION
WITH BUCKET STRAIGHT TO REAR

IMPORTANT DUE TO POSSIBLE INTERFERENCE WITH
STABILIZER OR TRACTOR CAUTION MUST BE
USED WHEN SWINGING BOOM TO EXTREM LEFT OR RIGHT POSITION

EXTENSION

2



SECTION INDEX

PLATFORM, CAB, BODYWORK AND DECALS

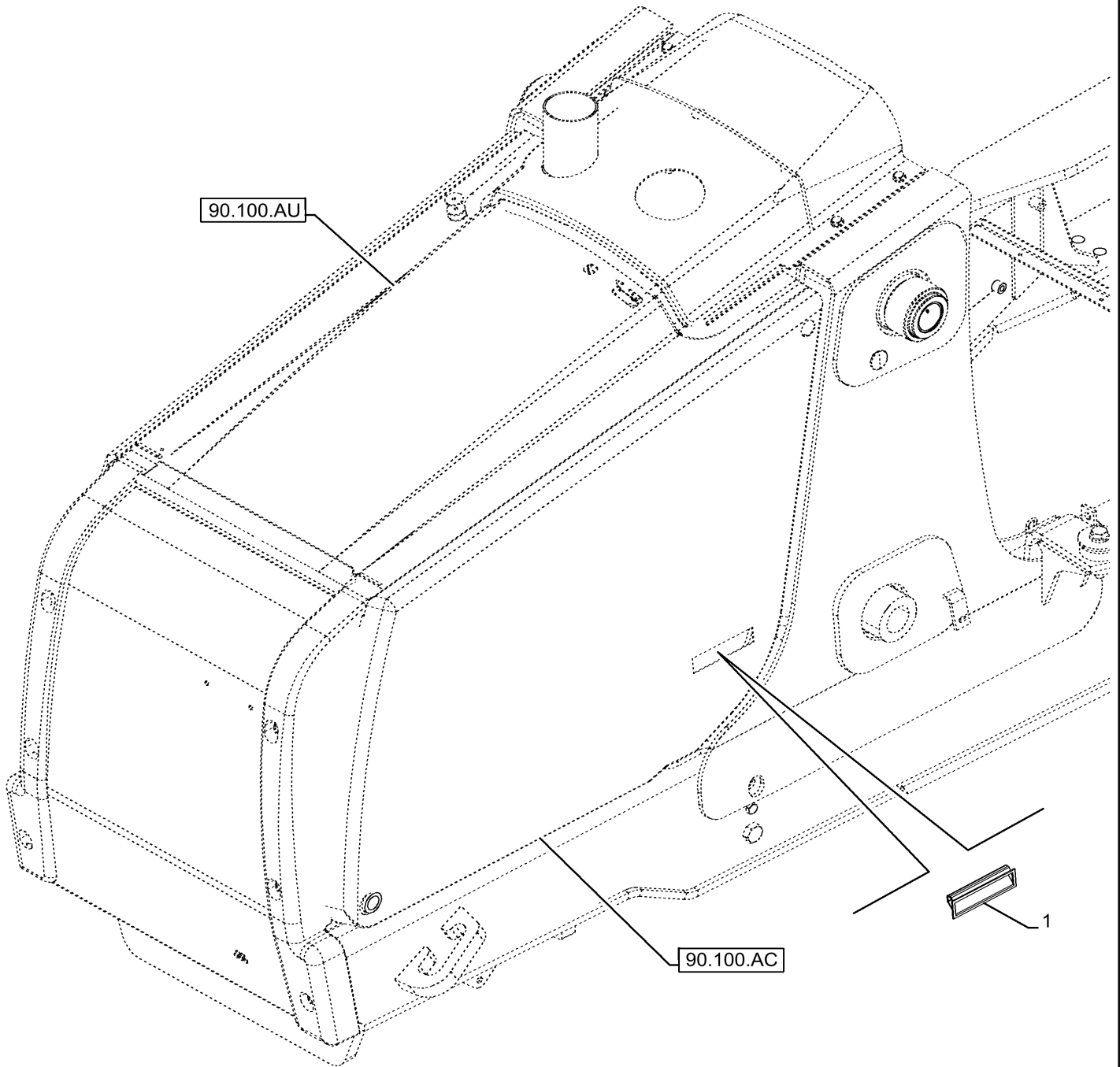
90.108.AC	12	WARNING DECAL, CHASSIS
90.108.AC	13	WARNING DECAL
90.108.AC	14	VAR - 747882, 747883 - WARNING DECAL
90.108.AC	15	VAR - 742242 - WARNING DECAL, FRONT LOADER
90.108.AC	16	VAR - 747882, 747883 - WARNING DECAL, CAB
90.108.AC	21	VAR - 423000, 423001, 442082, 747853, 747854, 747855 - WARNING DECAL, RADIATOR
90.108.AC	24	VAR - 423000, 442082, 747853, 747854, 747855 - WARNING DECAL
90.108.AC	26	VAR - 423078, 747669 - WARNING DECAL, STABILIZER
90.108.AC	27	VAR - 423049 - WARNING DECAL, LOADER, QUICK COUPLER
90.108.AC	28	VAR - 745252 - WARNING DECAL, SEVERE COLD WEATHER
90.108.AC	29	VAR - 747882, 747883 - WARNING DECAL, PILOT CONTROLS
90.108.AC	30	VAR - 747882, 747883 - WARNING DECAL
90.108.AD	01	EMBLEM, ENGINE HOOD
90.108.AD	02	EMBLEM, ENGINE HOOD
90.108.AD	03	EMBLEM, ENGINE HOOD
90.108.AE	01	VAR - 747882, 747883 - OTHER DECALS
90.108.AE	02	DECALS, CANOPY
90.110.AH		VAR 423000, 442082 - CANOPY, INSTRUMENT PANEL
90.110.AV	02	VAR - 423000, 442082 - CANOPY, OPERATORS COMPARTMENT, PANEL, LH
90.110.AV	03	VAR - 423000 - PLATFORM, PANEL
90.110.AV	04	VAR - 423000, 442082 - OPERATORS COMPARTMENT, REAR, PANEL
90.110.AV	05	VAR - 423000, 442082 - OPERATORS COMPARTMENT, PANEL
90.110.AV	06	VAR - 423000, 442082 - OPERATORS COMPARTMENT - CONSOLE FRONT
90.110.BC	01	MAT, PLATFORM, FLOOR, COVER
90.110.BC	02	MAT, PLATFORM, FLOOR, COVER
90.110.BC	03	VAR - 423000 - MAT, PLATFORM, FLOOR, COVER
90.110.BD	01	VAR - 423000 - CANOPY, FLOOR MAT
90.110.BD	02	VAR - 423000 - CANOPY, FLOOR MAT
90.114.BG	01	VAR 423000, 442082 - CANOPY, COVER, PLUG
90.114.BG	02	VAR - 423000 - CANOPY, WINDSHIELD
90.114.BG	03	VAR - 423000, 442082 - CANOPY, WIDE
90.116.AC		VAR - 442082, 747853, 747854, 747855, 423000 - FENDER
90.118.AC	02	VAR - 423000, 442082 - CANOPY, HANDLE

90.102.AT

p1

1/2019

ENGINE HOOD, HANDLE



90.108.AB

06

p1

1/2019

VAR - 423075 - MODEL IDENTIFICATION DECAL

REF FN	PART NUMBER	YR/SN	QTY DESCRIPTION
1	84492069		1 DECAL 200mm H x 786mm L CASE Impact Logo, 200mm

590SN-BACKHOE LOADER - TIER 3 NRC

WARNING DECAL

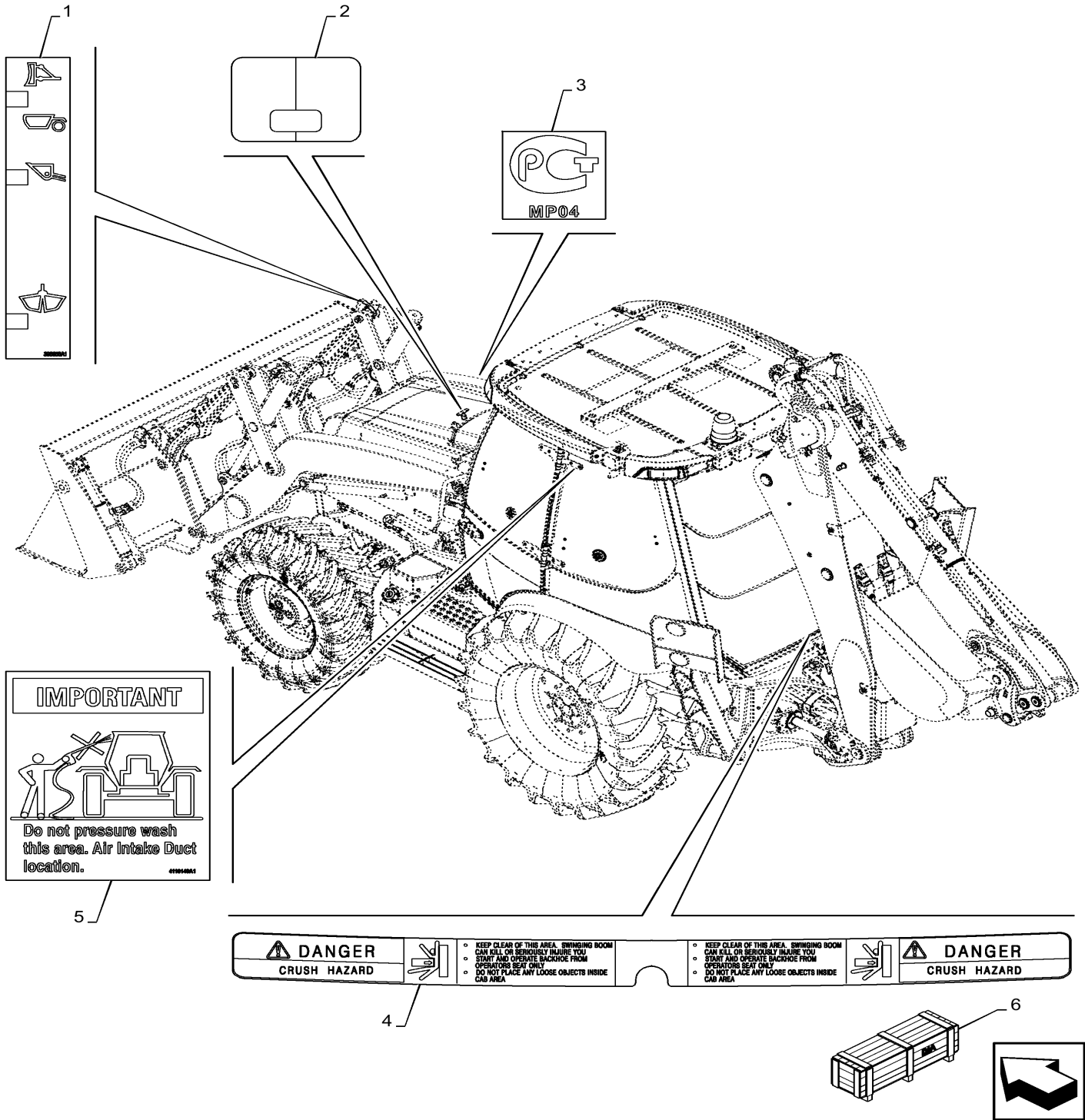


Figure is Valid with Industrial Var. 747882, 747883 and Option X470086X

EMBLEM, ENGINE HOOD

REF FN	PART NUMBER	YR/SN	QTY DESCRIPTION
1	84478049		1 EMBLEM Case, Engine Hood
2	131-431		2 PUSH-ON NUT Self, Threading, 1/4"
3	1 87726054		1 SERVICE KIT Chaff Screen, Incl 2
(1)	To See Full DIA KIT Composition Look for all the Figures Where the DIA KIT P/N Is Shown		

590SN-BACKHOE LOADER - TIER 3 NRC

90.110.BC

03

p1

1/2019

VAR - 423000 - MAT, PLATFORM, FLOOR, COVER

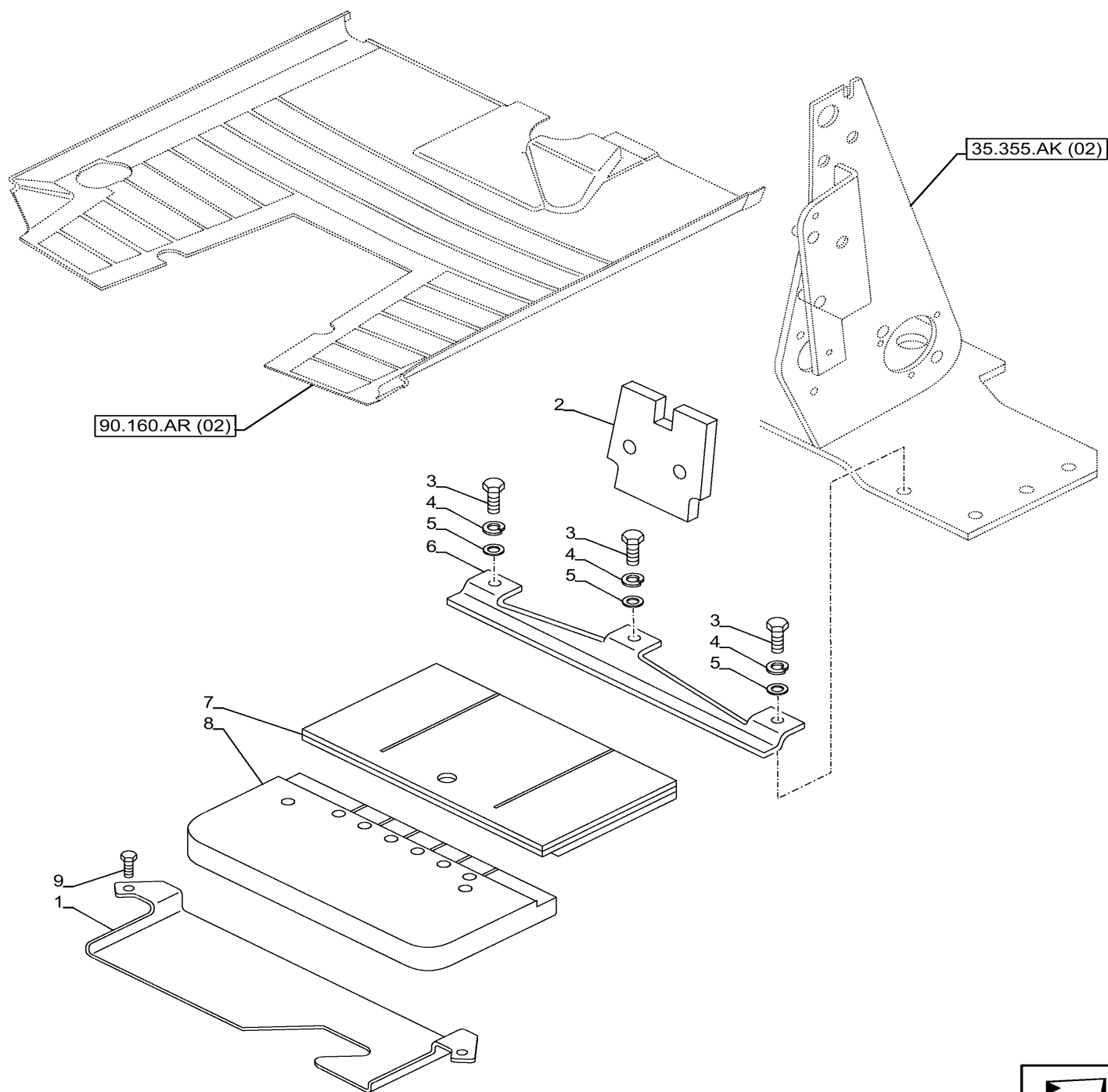


Figure is Valid with Industrial Var. 423000

90.124.AE

p1

1/2019

VAR - 747897 - SEAT, AIR SUSPENSION

REF FN	PART NUMBER	YR/SN	QTY DESCRIPTION
1	84276108		1 SEAT Assy, Incl 2 - 3
2	87308157		1 SEAT BACK
3	87308159		1 SEAT CUSHION

590SN-BACKHOE LOADER - TIER 3 NRC

90.151.AE

03

p1

1/2019

VAR - 442083 - SUN PROTECTION

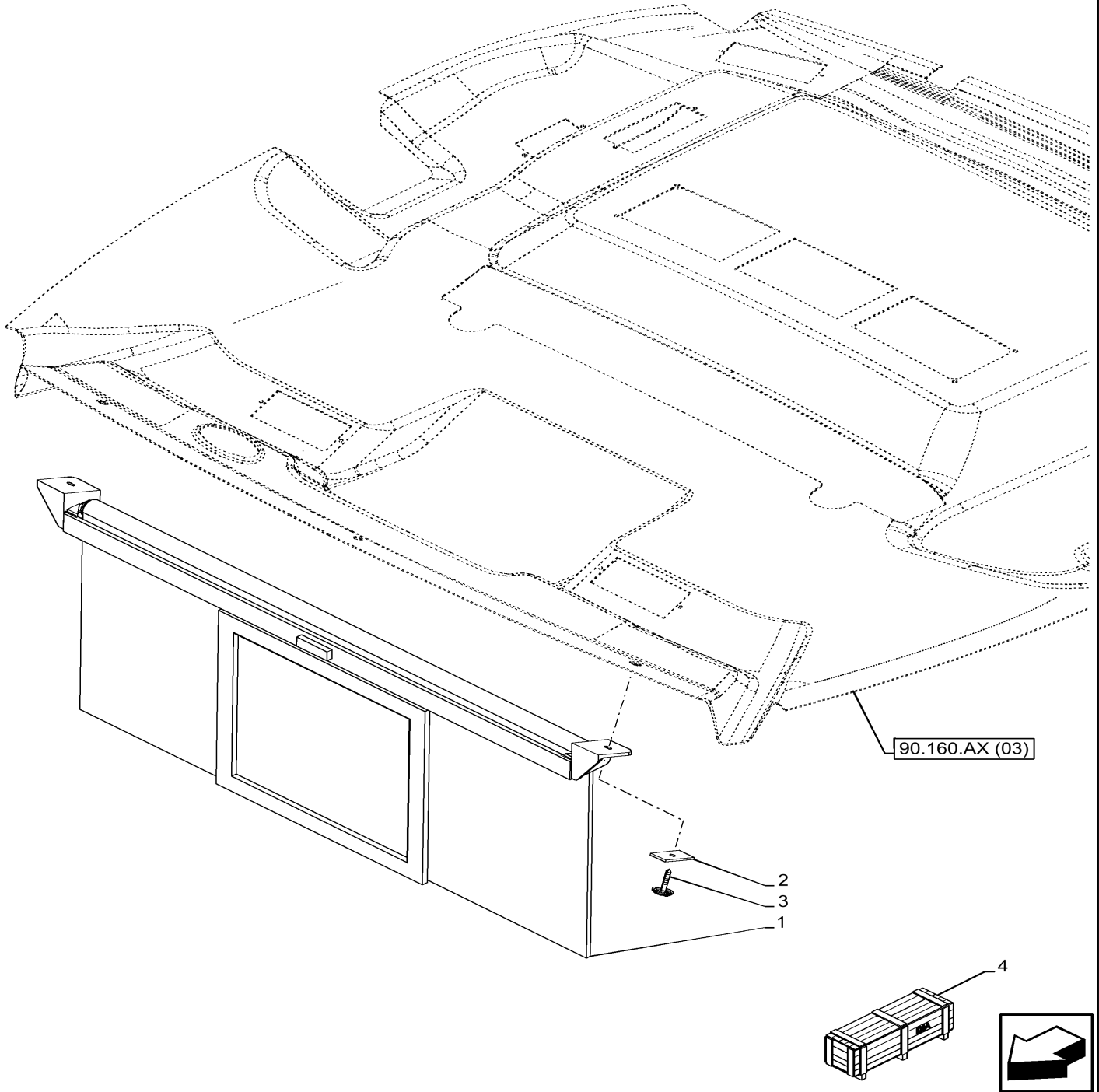


Figure is Valid with Industrial Var. 442083

90.154.AH

02

p1

1/2019

VAR - 747853 - CAB DOOR, SEAL, RH

REF FN	PART NUMBER	YR/SN	QTY DESCRIPTION
1	394707A1		1 RUBBER STRIP
2	394708A1		1 DOOR SEAL Window, 2926mm L

590SN-BACKHOE LOADER - TIER 3 NRC

VAR - 747853 - CAB GLASS, FRONT

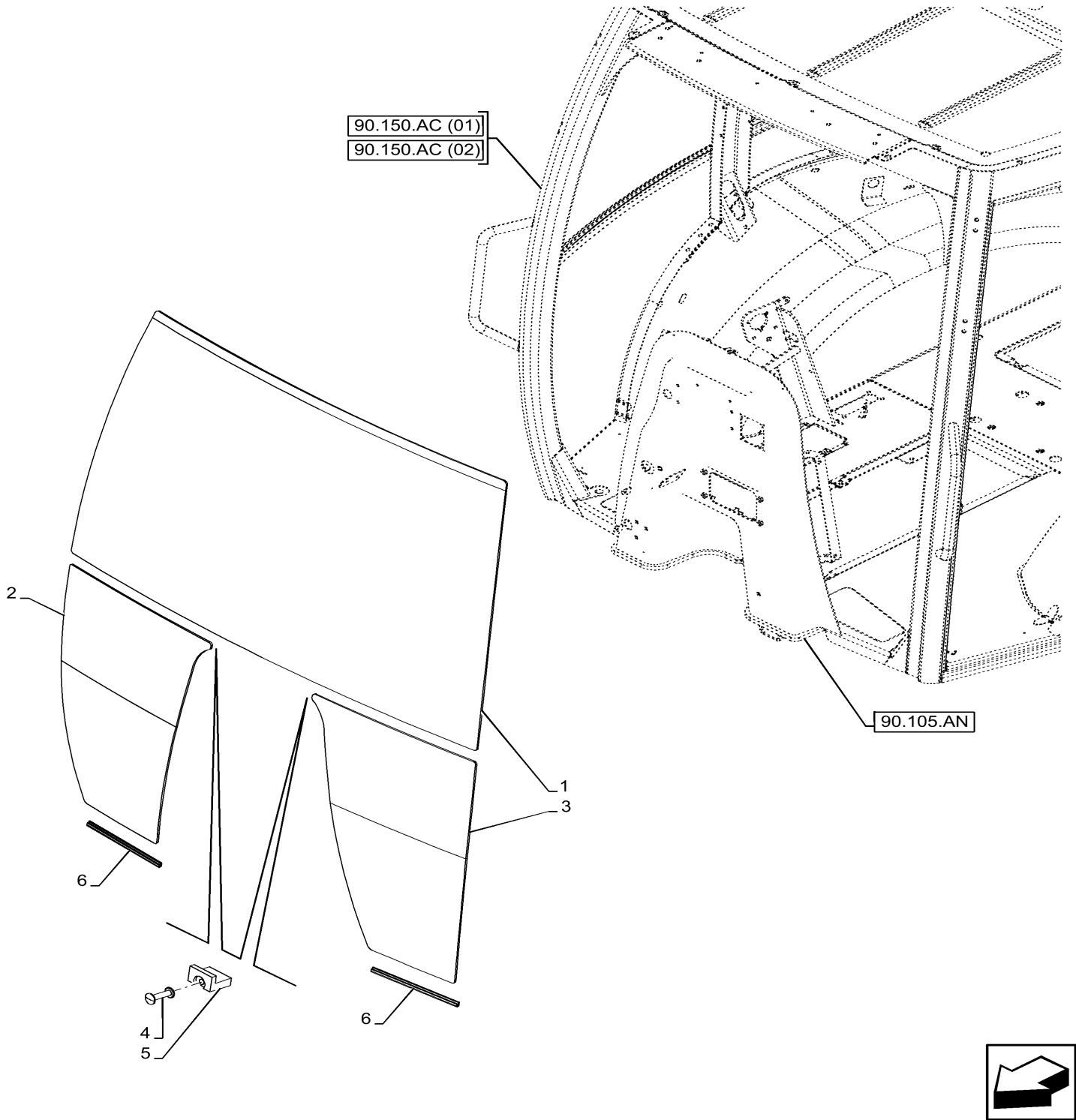


Figure is Valid with Industrial Var. 747853

CAB LEFT-HAND SIDE PANEL

REF FN	PART NUMBER	YR/SN	QTY DESCRIPTION
1	86992247		1 TRAY ASSY, Incl 2 - 4
2	NSS		1 NOT SOLD SEPARAT Storage, Incl in 1
3	86992284		4 BUMPER 40-50 Durometer
4	400077A1		1 PROTECTION STRIP 1300mm
5	87310127		2 SCREW Pan HD, #10 - 24 x 1", SST
6	87310146		4 WASHER 5.16mm ID x 19.05mm OD x 1.55mm Thk
7	231-14109		2 LOCK NUT #10-24, GB
8	87310098		2 BOLT M6 x 20 Full SST BLO
9	87310186		2 WASHER 6.6mm ID x 25mm OD x 1.6mm Thk
10	397026A3		1 TRIM
11	87310126		1 SCREW Phillips Drive, Pan HD, #10 - 24 x 3/4", SST
12	131-869		3 SPRING NUT Ret, J, #10-24
13	87534992		2 SELF-TAP SCREW Pan Head, M10 x 28mm
14	833-40406		2 NUT M6, U

590SN-BACKHOE LOADER - TIER 3 NRC

90.160.CF

02

p1

1/2019

VAR - 423058, 423059, 423060, 423061, 423062 - INSTRUMENT CLUSTER, FRONT, RELAY, COVER

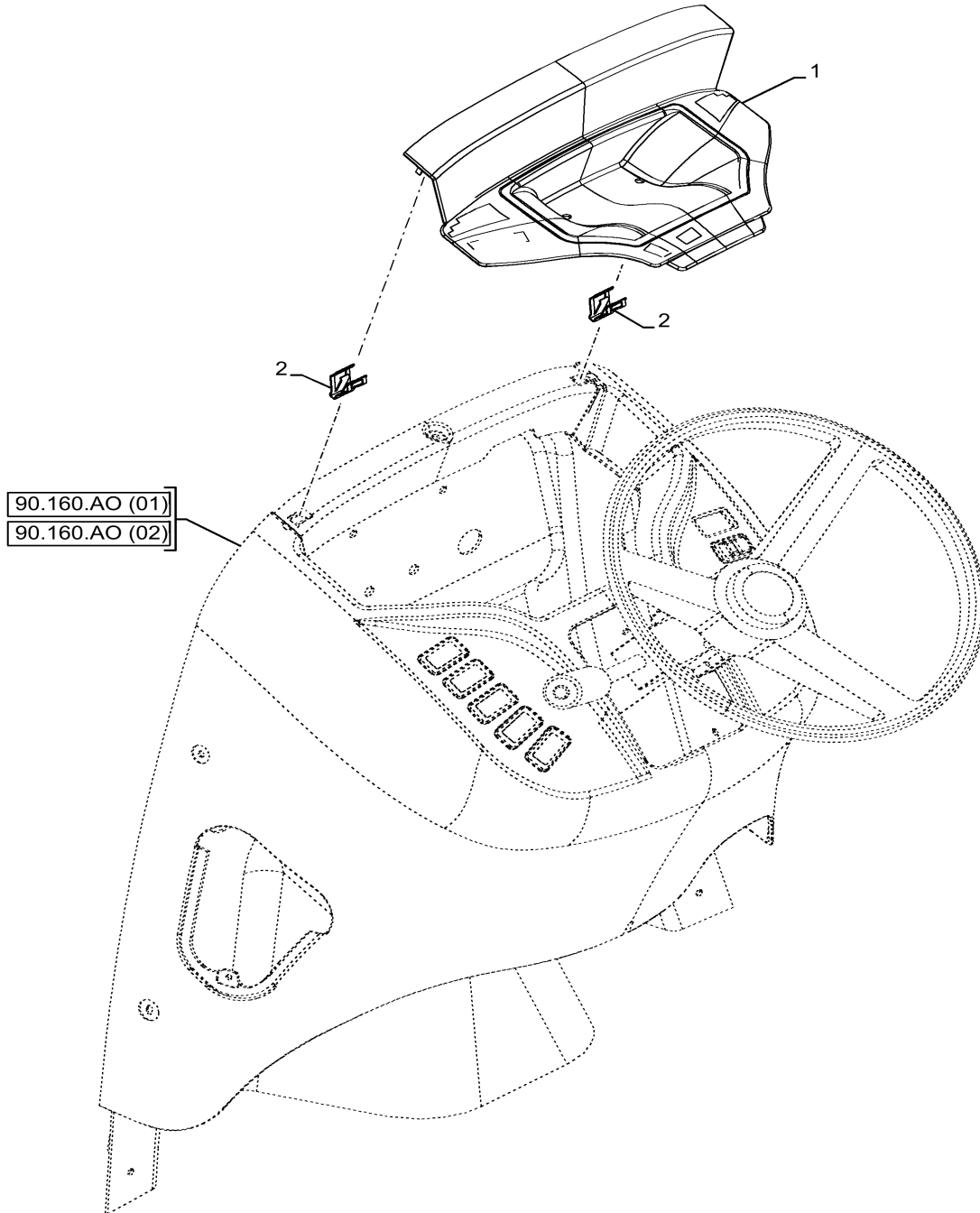


Figure is Valid with Industrial Var. 423058, 423059, 423060, 423061, 423062

INDEX - INDICE - INDEX - ZAHLENVERZEICHNIS - INDICE - INDICE - INDHOLD - INHOUD

Number	Figure	Sequence	Ref.	Number	Figure	Sequence	Ref.
412250	35.734.AD	05	15	425-115	35.724.AE	01	21
412250	35.738.AE	02	15	425-115	35.724.AE	02	24
412250	35.738.AE	03	23	425-116	35.355.AK	01	6
412250	35.738.AE	04	23	425-116	35.724.AE	01	11
412250	55.024.AE	01	13	425-116	35.724.AE	02	7
412285A1	88.100.90	19	7	425-118	35.355.AK	02	7
412285A1	90.160.BI	01	8	425-118	35.359.AF	01	33
412285A1	90.160.BI	03	12	425-118	35.359.AF	05	25
412510A1	90.151.AN	01	7	425-118	35.359.AF	08	18
412510A1	90.151.AN	02	7	425-118	35.359.AF	11	25
413-1228	39.129.AE	03	5	425-118	35.726.AF		13
413-412	88.100.90	17	9	425-156	35.359.AF	01	30
413-48	90.105.AN		7	425-156	35.359.AF	03	8
413-516	88.100.90	17	10	425-156	35.359.AF	04	14
413-528	35.357.AB	01	15	425-156	35.359.AF	05	19
413-624	35.355.AK	01	11	425-156	35.359.AF	07	14
413-624	35.724.AE	01	8	425-156	35.359.AF	08	17
413-624	35.724.AE	02	13	425-156	35.359.AF	09	4
414033A1	90.160.CD	01	9	425-156	35.359.AF	10	14
414034A1	90.160.CD	01	10	425-156	35.359.AF	11	19
414071A1	90.160.AM	01	21	425-156	35.726.AF		14
414092A1	10.216.AI		4	425-157	55.518.AY	05	3
414092A1	90.160.AM	01	19	42570987	05.100.04	04	3
414572A1	90.160.CD	01	14	427-5094	84.114.AI	01	11
414600A1	90.160.AX	01	17	427-6088	35.359.AF	01	27
414600A1	90.160.AX	03	17	427-6088	35.359.AF	03	2
414939A1	88.100.90	19	8	427-6088	35.359.AF	05	22
414939A1	90.160.BI	01	3	427-6088	35.359.AF	08	24
414939A1	90.160.BI	03	18	427-6088	35.359.AF	09	9
416569A1	55.100.DO	02	7	427-6088	35.359.AF	11	22
416569A1	55.100.DO	04	7	427-6106	33.202.AR		5
416569A1	55.100.DO	07	6	429-1012	82.300.AN	03	5
418070A1	84.100.AP	06	10	430471A1	90.160.AM	01	15
420-21236	82.300.AN	03	4	43118	55.404.BB		7
425-1012	39.129.AE	03	6	43118	55.404.CA		7
425-105	55.302.AW	01	4	43127	10.206.AF	01	4
425-105	55.302.AX		6	43127	10.400.AY		9
425-105	88.100.55	32	11	43127	21.111.AC	03	7
425-105	88.100.55	34	13	43127	35.357.AO	01	25
425-106	35.355.AK	01	12	43127	35.723.AB	05	6
425-106	55.302.AV	01	4	43127	35.723.AB	06	6
425-106	55.302.AX		8	43127	35.723.AB	07	6
425-106	88.100.55	32	13	43127	35.723.AB	08	6
425-106	88.100.55	34	15	43127	35.723.AB	09	6
425-1110	35.355.AK	02	26	43127	35.724.AE	01	26
425-115	35.357.AB	01	12	43127	35.724.AE	02	26

CLICK HERE TO **DOWNLOAD** THE COMPLETE MANUAL

- Thank you very much for reading the preview of the manual.
- You can download the complete manual from: www.heydownloads.com by clicking the link below



- Please note: If there is no response to CLICKING the link, please download this PDF first and then click on it.

CLICK HERE TO **DOWNLOAD** THE COMPLETE MANUAL