

# **590 Super L Construction King Loader Backhoe**

## **Parts Catalog**

**Bur 8-9951**

**CASE**

CLICK HERE TO **DOWNLOAD** THE COMPLETE MANUAL

- Thank you very much for reading the preview of the manual.
- You can download the complete manual from: [www.heydownloads.com](http://www.heydownloads.com) by clicking the link below



- Please note: If there is no response to CLICKING the link, please download this PDF first and then click on it.

CLICK HERE TO **DOWNLOAD** THE COMPLETE MANUAL

## ALPHABETICAL INDEX

## P

Parking Brake .....	7-13
Parking Brake - rear axle.....	7-5
Pedals	
Accelerator.....	3-7
Auxiliary Hydraulics - backhoe.....	8-67
Backhoe.....	9-23 - 9-27
Brake.....	7-7
Differential Lock - rear axle.....	6-51
Extendahoe Control.....	9-33
Swing.....	9-25
Pistons and Connecting Rods.....	2-45
Plates - baffle, front covers.....	9-73 - 9-73D
Plates - floor and mats.....	9-79
Precleaner.....	2-9
Pulley	
Alternator.....	4-7
Compressor Drive.....	9-131
Crankshaft.....	2-41
Fan and Water Pump.....	2-17
Pump	
Engine Oil.....	2-29
Fuel Injection.....	3-11
Fuel Lift.....	3-9
Hydraulic Equipment.....	8-83
Transmission Oil.....	6-31,6-31B
Water.....	2-17
Pump Guard.....	9-73

## R

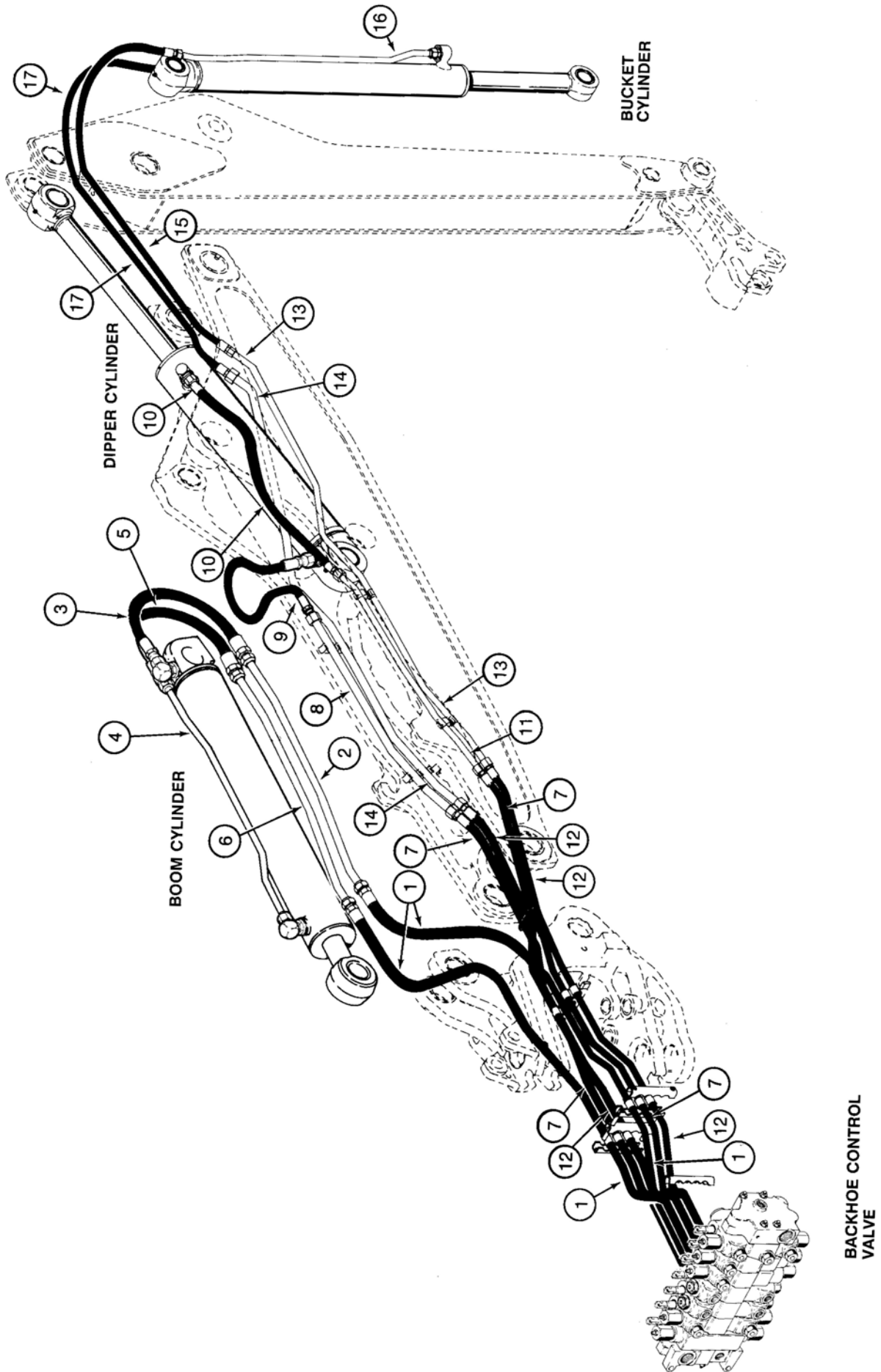
Radiator - engine.....	2-5
Radiator Shroud.....	9-71
Radio.....	4-45
Reflector - red.....	9-141
Relays.....	4-19
Reservoir	
Brake Master Cylinder.....	7-9
Coolant Recovery Bottle.....	2-3,2-3B
Fuel.....	3-3
Hydraulic Oil.....	9-69
Radiator.....	2-5
Reservoir Lines - fuel.....	3-3
Return-to-Dig.....	9-11
Ride Control.....	8-79,8-81
Roll Over Protective	
Structure.....	9-101,9-133
Rotating Beacon.....	4-43

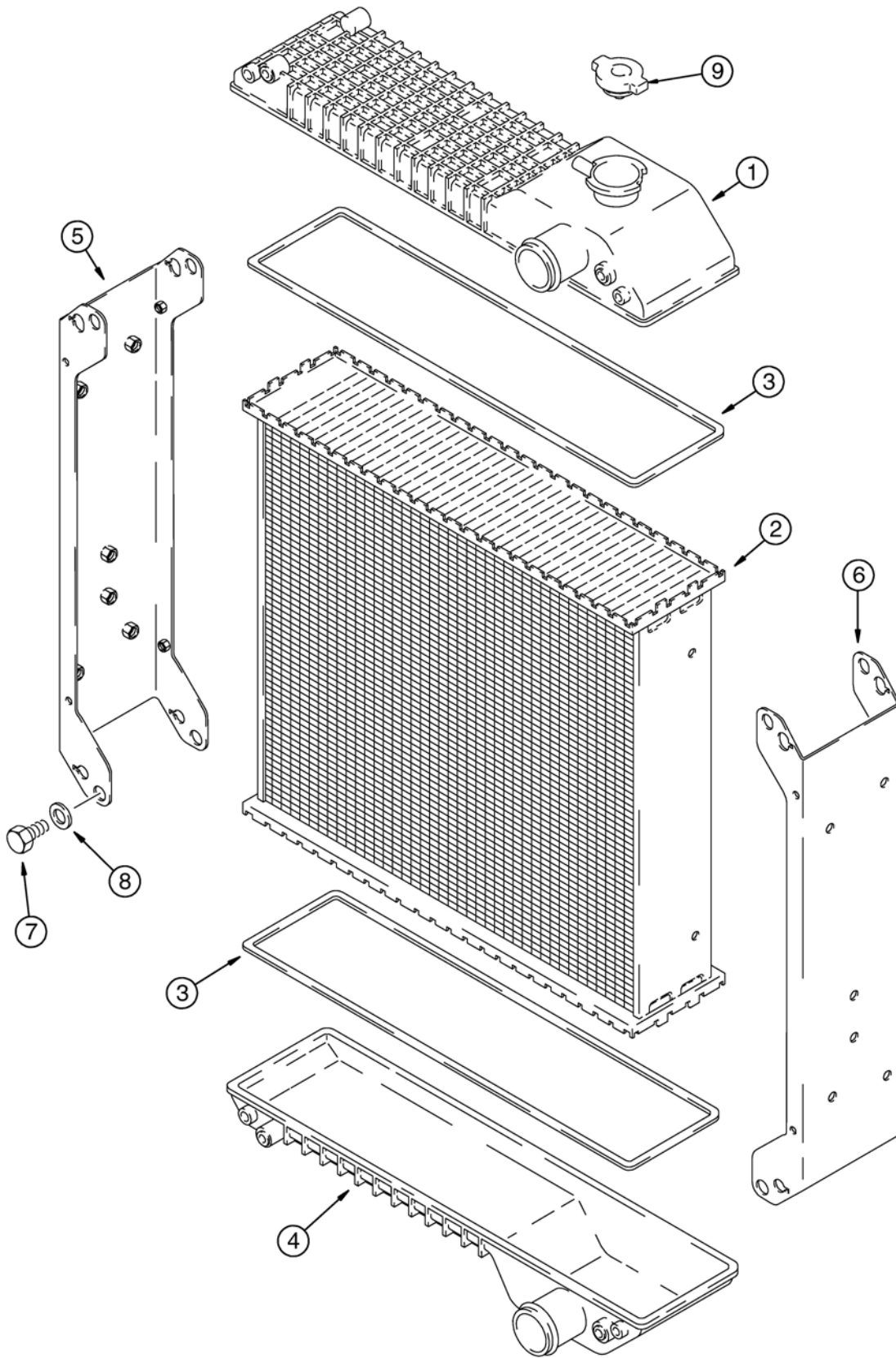
## S

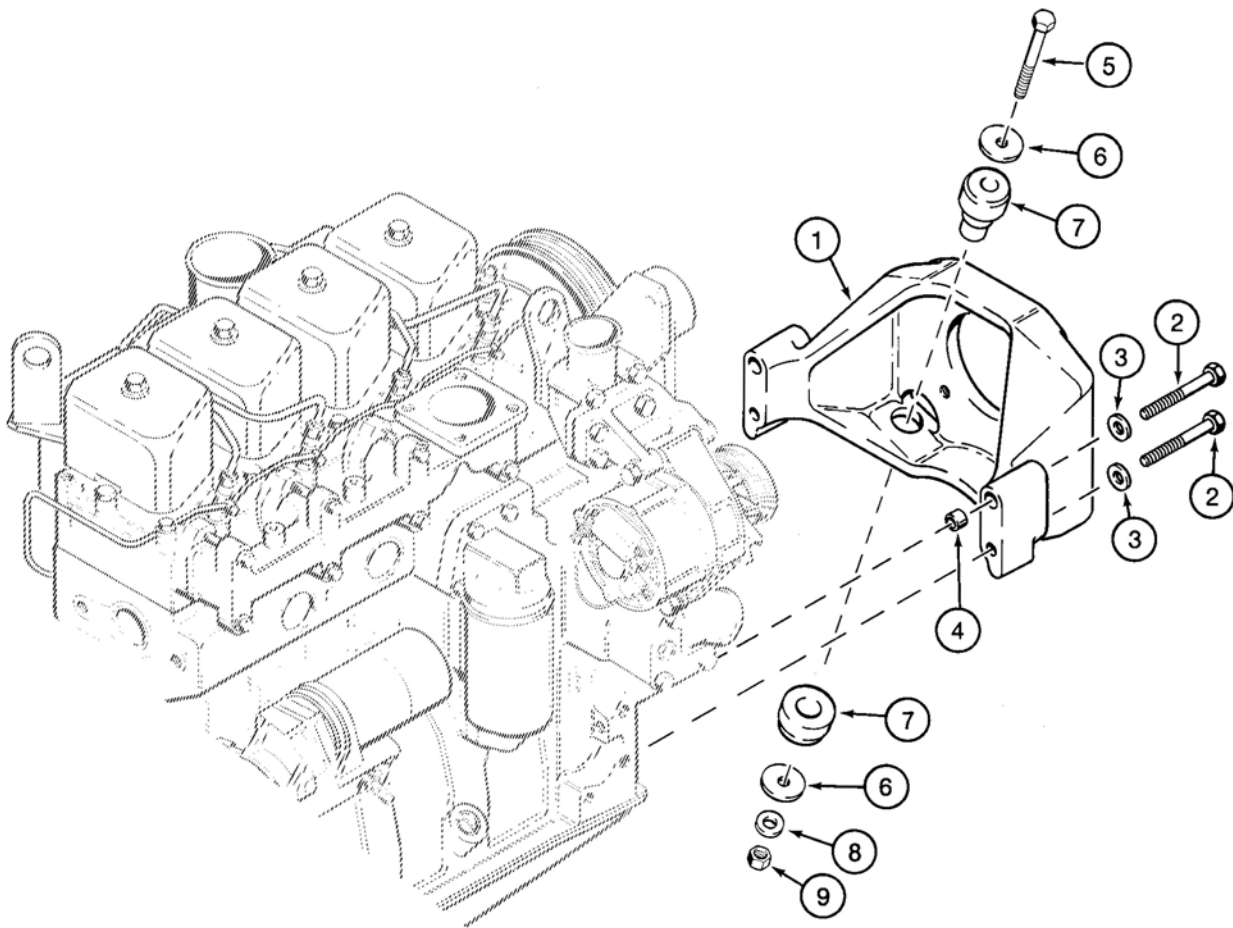
Screen - chaff.....	9-77
Seat - operators	
Adjuster - suspension.....	9-95
Armrests.....	9-97

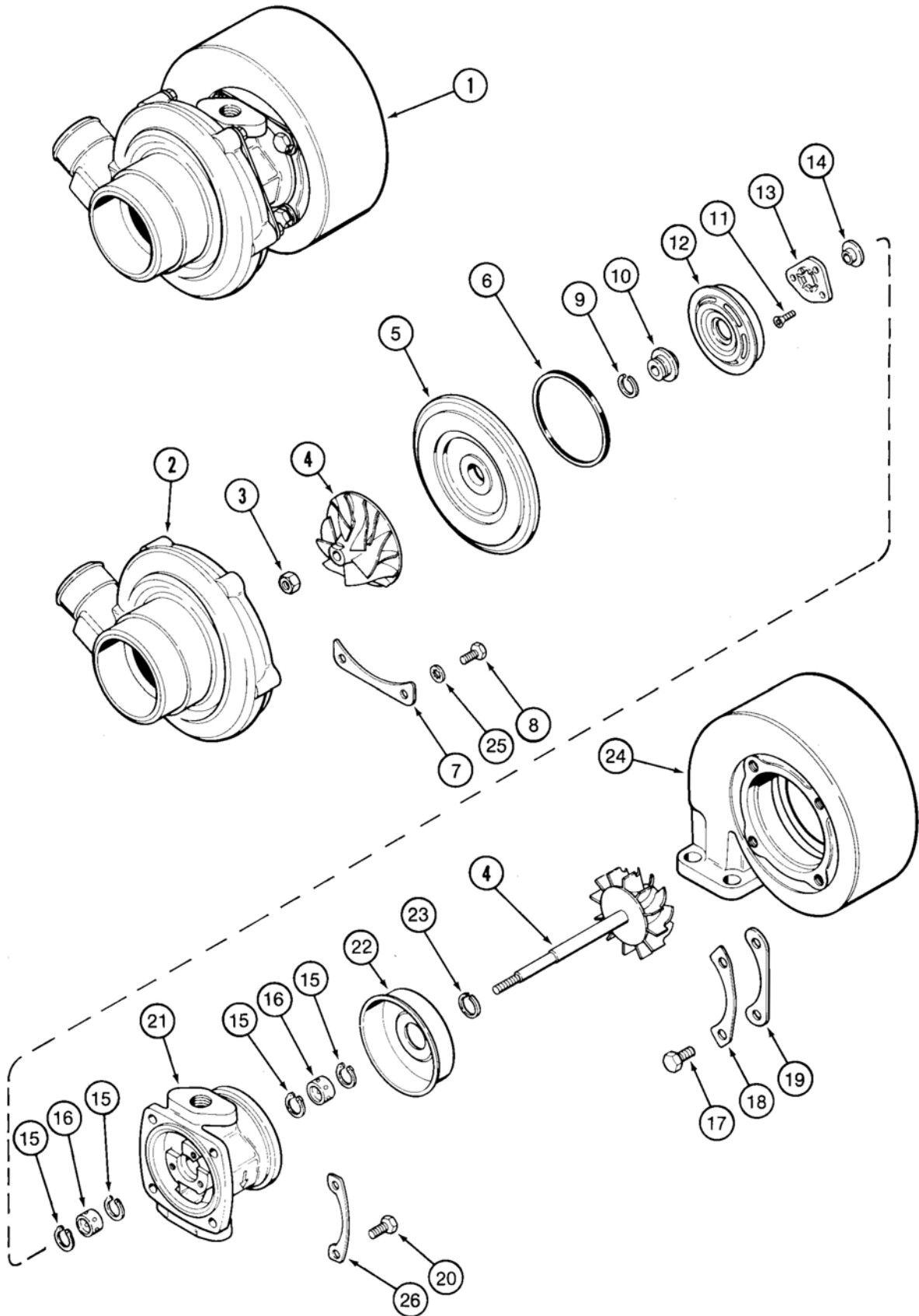
## S

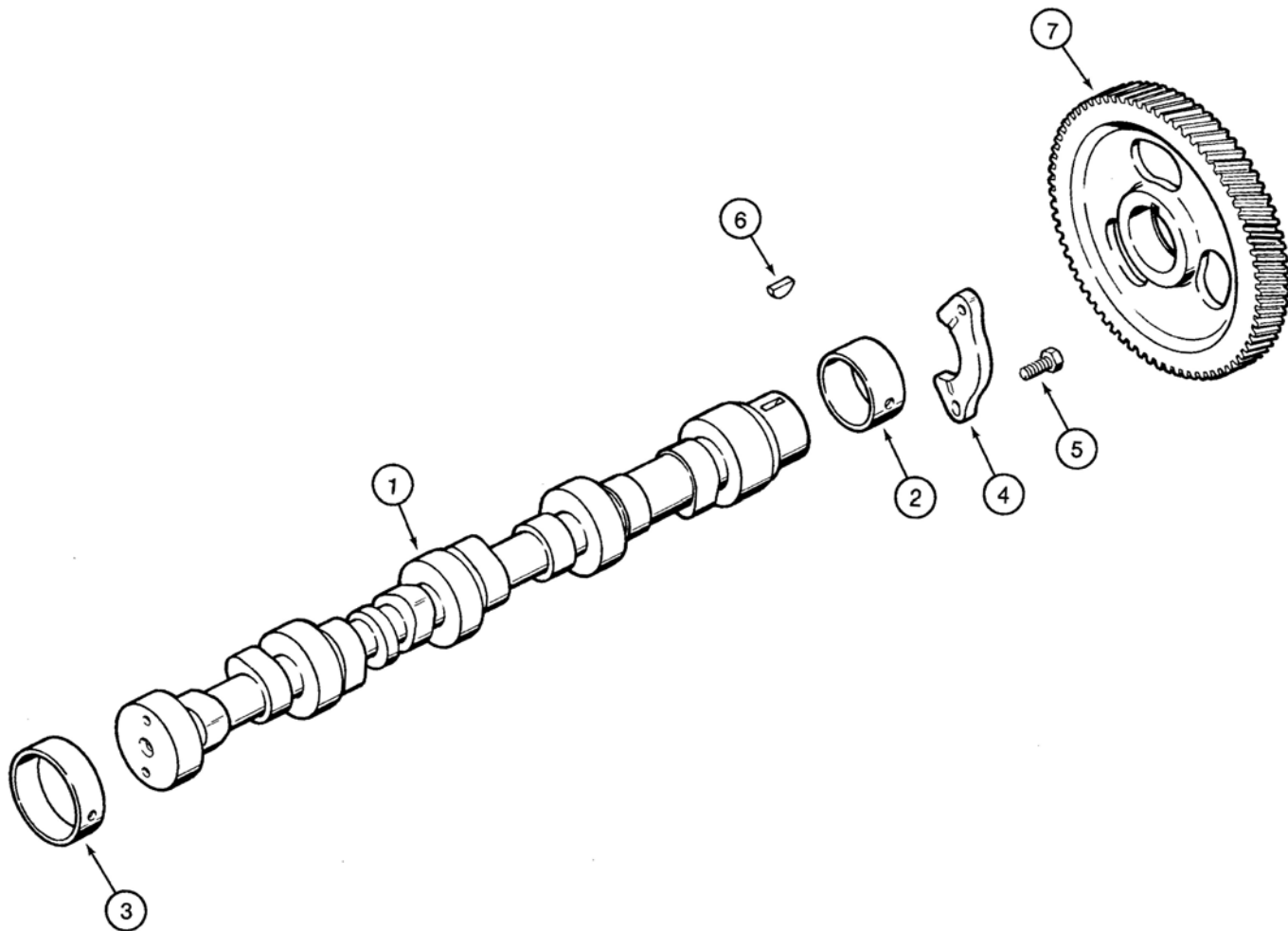
Seat-Cont.	
Mounting and Belts.....	9-87
Standard Seat.....	9-89
Support - standard.....	9-93
Support - suspension.....	9-95
Suspension Seat.....	9-91
Self-Leveling Control.....	9-9
Sender	
Air Filter Restriction.....	2-7
Transmission Temperature.....	4-11
Water Coolant Temperature - engine.....	4-11
Sensor - fuel level.....	3-3
Shift Lever - FNR - transmission.....	4-17
Shifter Mechanism - transmission.....	6-33,6-33B
Shroud - radiator.....	9-71
Side Panels - engine.....	9-75
Slow Moving Vehicle Emblem.....	9-137
Solenoids	
Boom Lock.....	8-141
Four-Wheel Drive.....	6-45
Fuel Injection Pump.....	3-11
Ride Control.....	8-79
Speakers - radio and tape player.....	4-45
Spindles - front axle.....	5-15
Stabilizers.....	9-35
Starter - engine.....	4-3,4-5
Starter - mounting.....	4-9
Steering	
Column.....	5-9
Control Valve.....	5-11
Cylinder.....	5-13
Hydraulic Circuit.....	5-5,5-7
Wheel.....	5-3
Steps.....	3-3,9-69
Stereo - radio and tape player.....	4-45
Support Strut - loader lift frame.....	9-11
Switches	
Air Cleaner Restriction.....	2-7,4-11
Air Conditioning Control.....	9-111,9-127
Auxiliary Hydraulics.....	8-47,8-57,8-61
Blower.....	9-111
Boom Lock.....	8-75
Brake Lamps.....	4-17,7-7
Clutch Cutout - gear shift lever handle.....	4-11
Clutch Cutout - loader lever.....	4-21
Cold Start.....	2-13
Dome Lamp.....	4-17
Four Wheel Drive.....	4-21
High Pressure Cutout - air conditioner.....	9-129

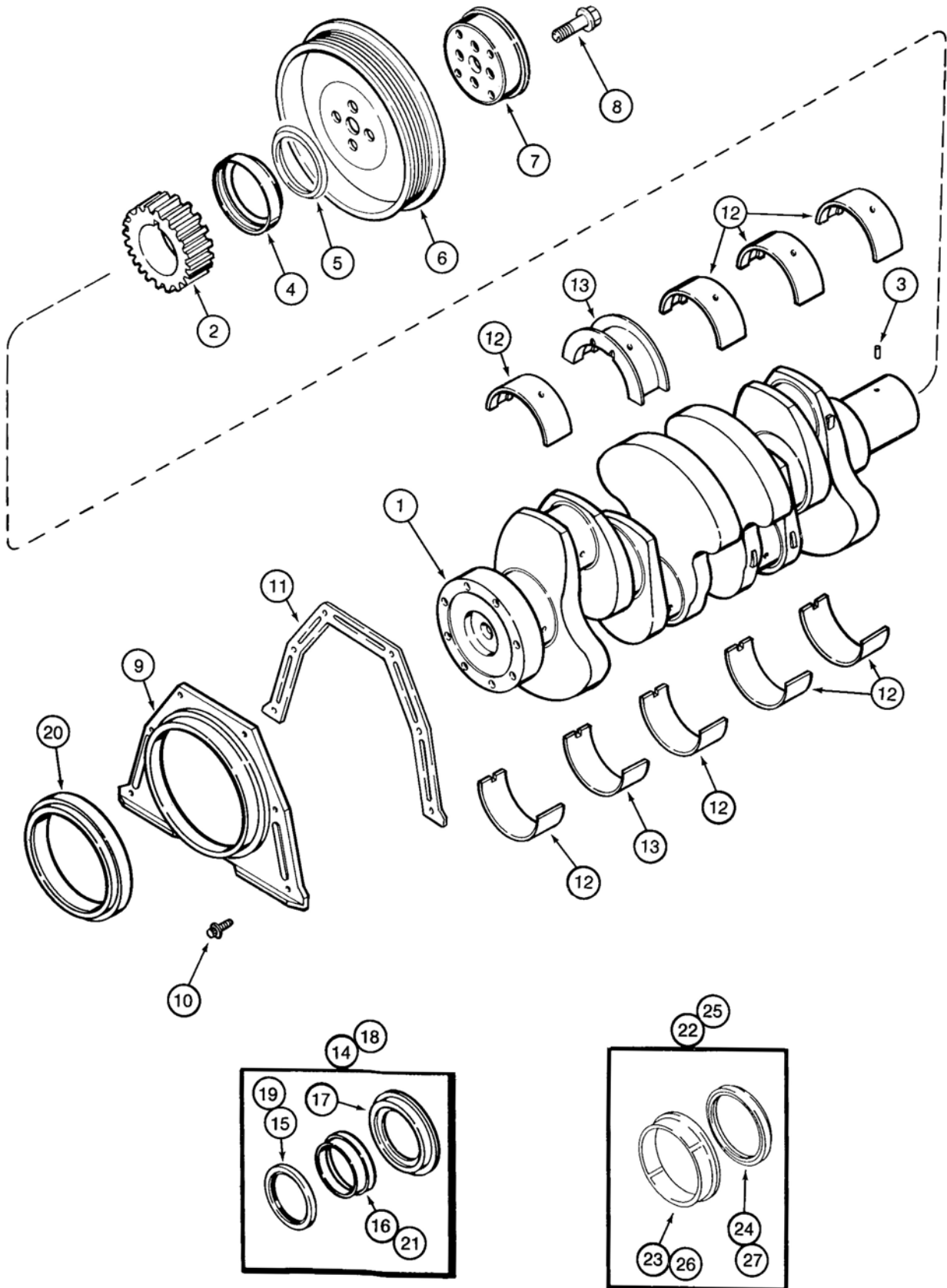




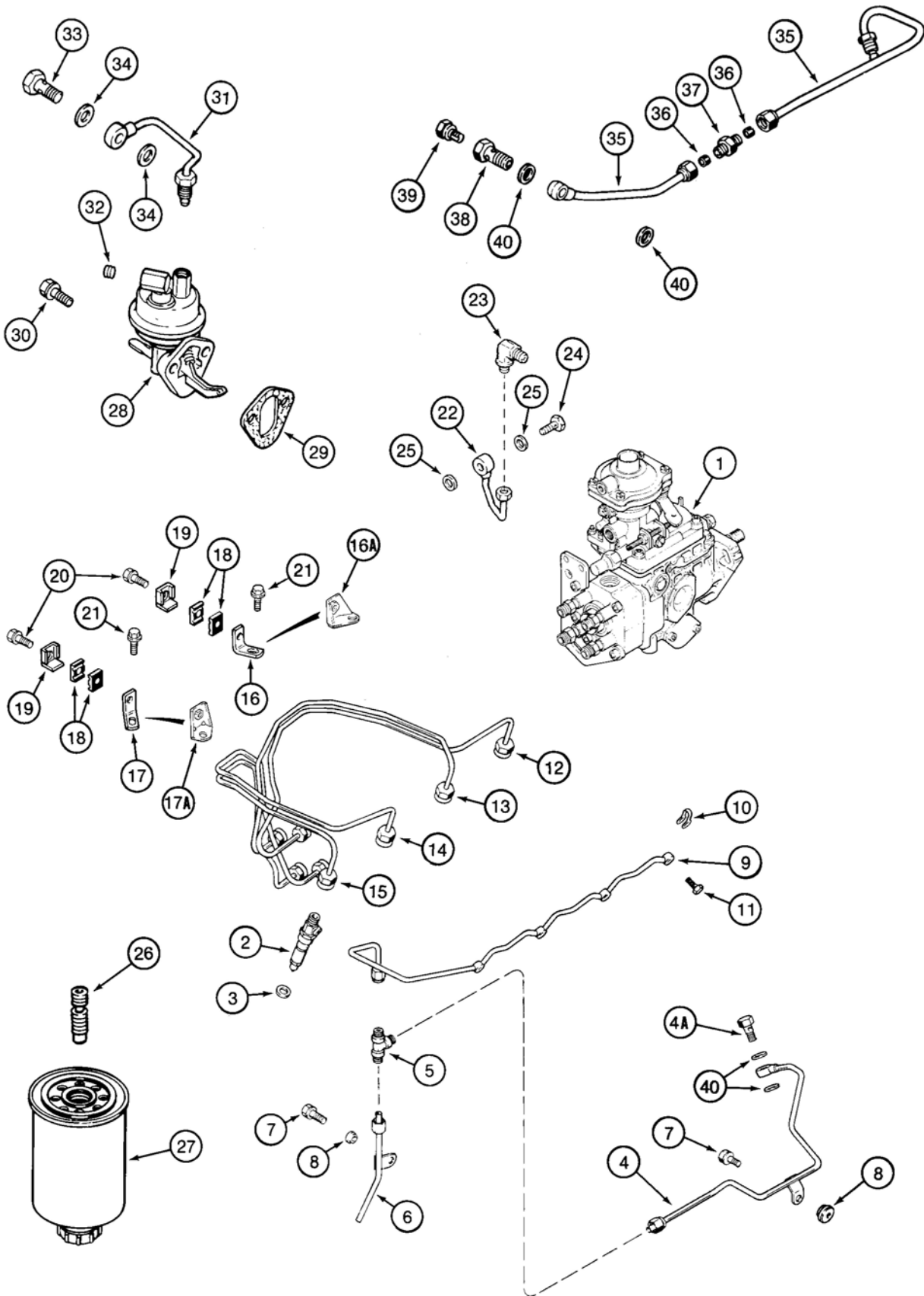


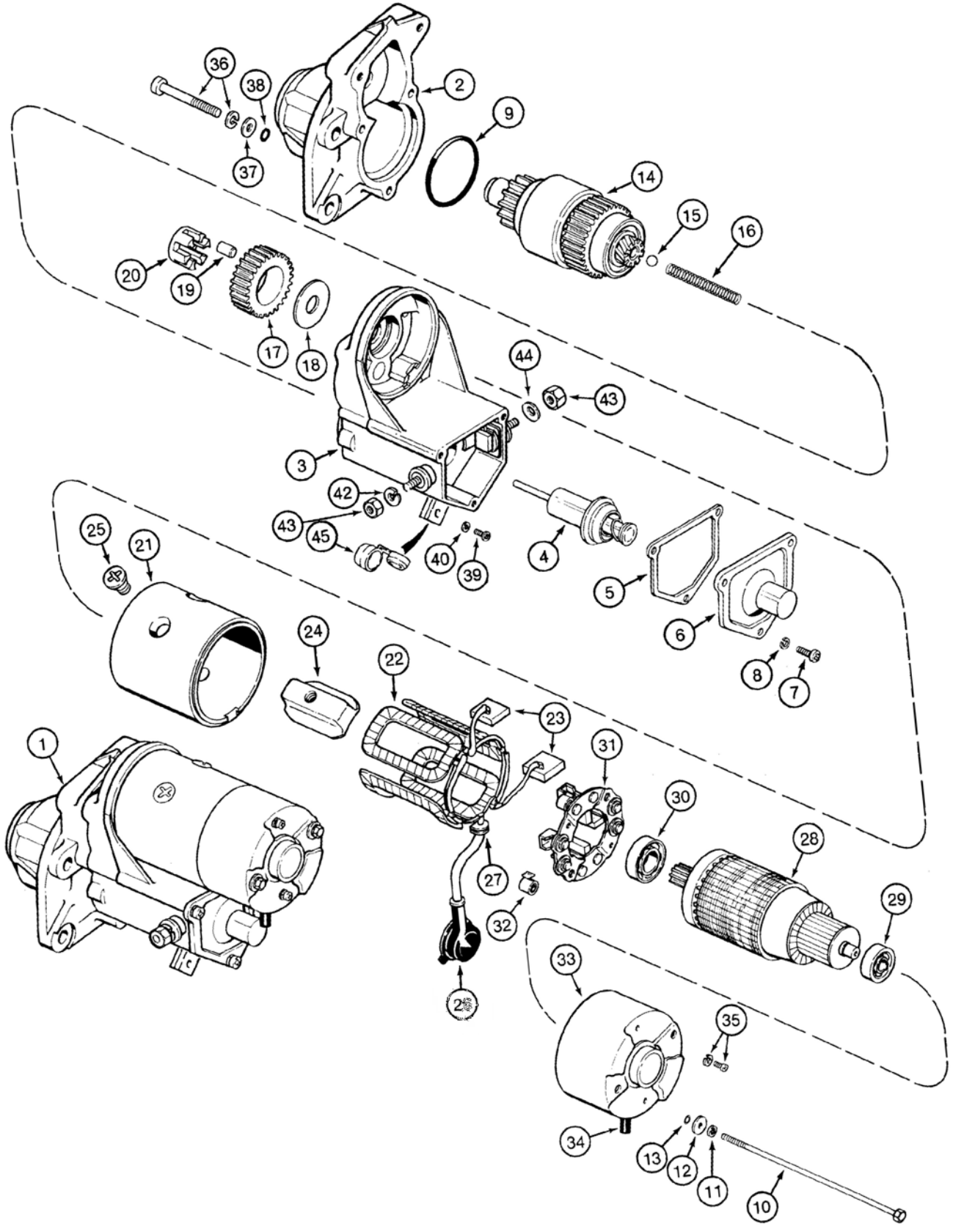


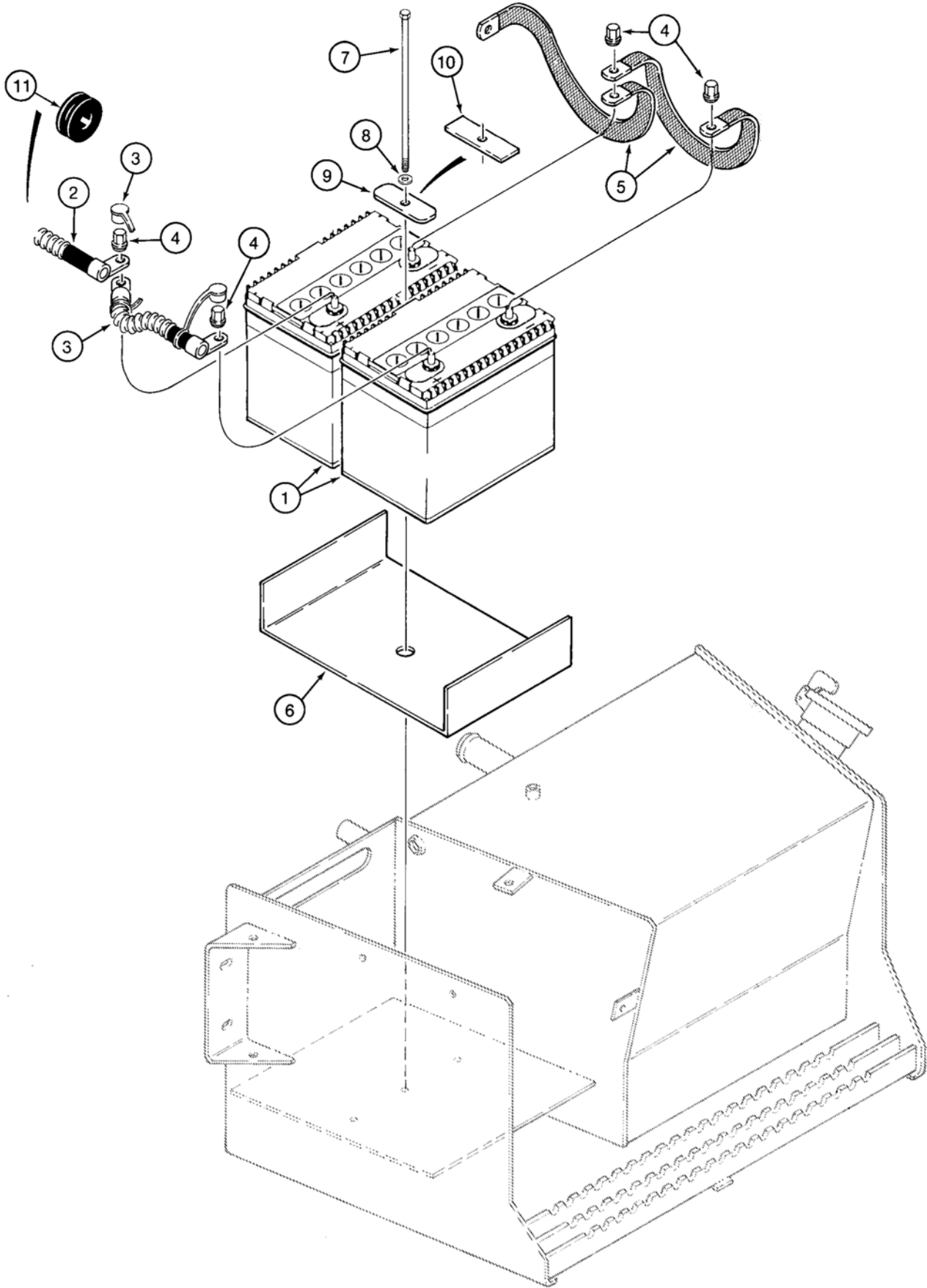


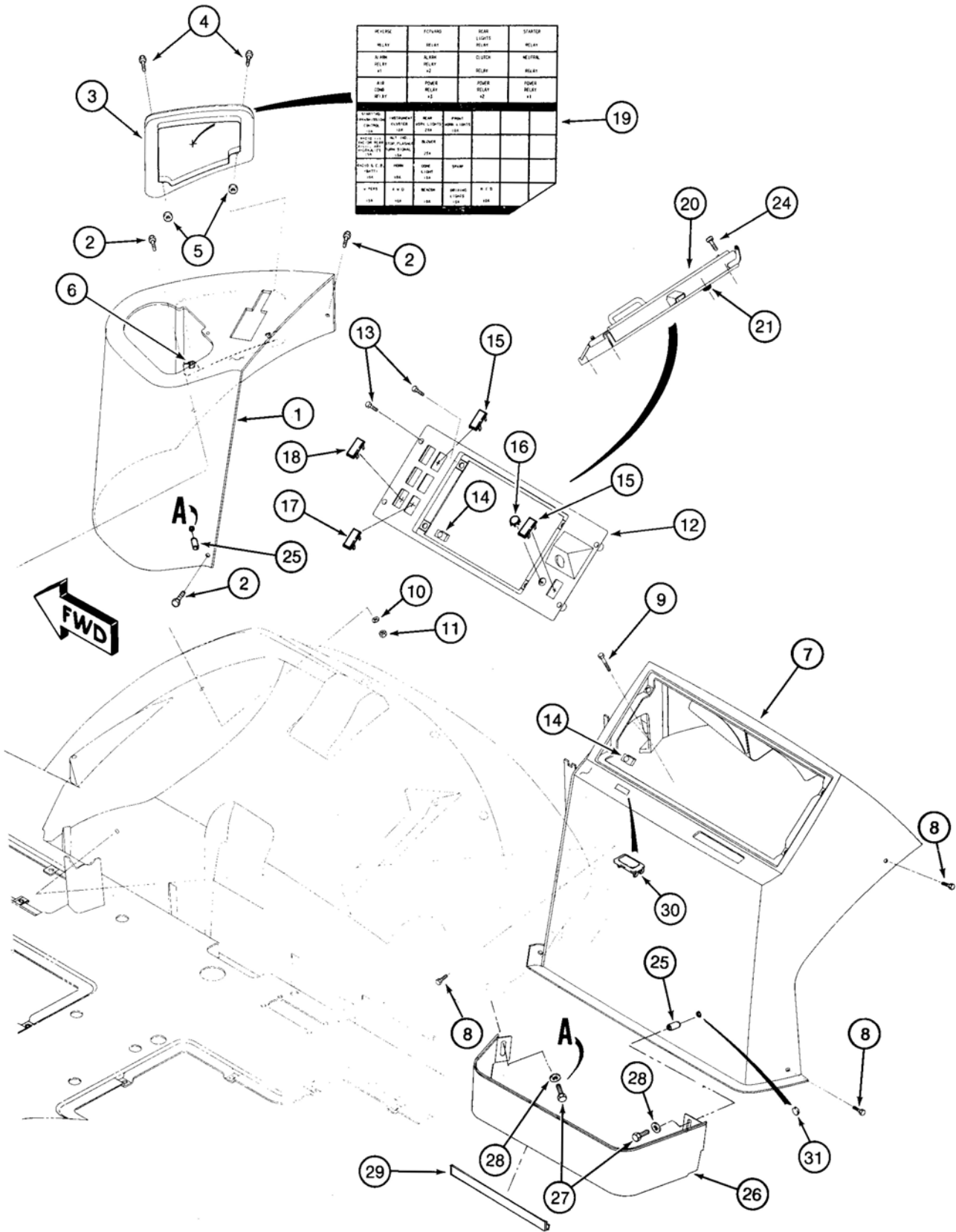


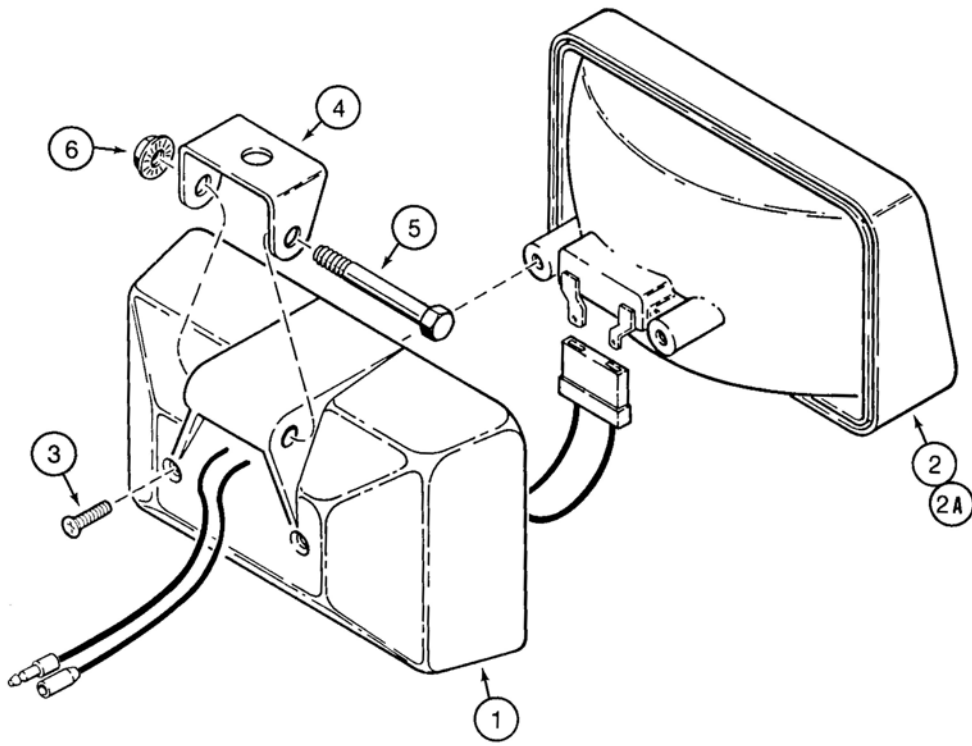


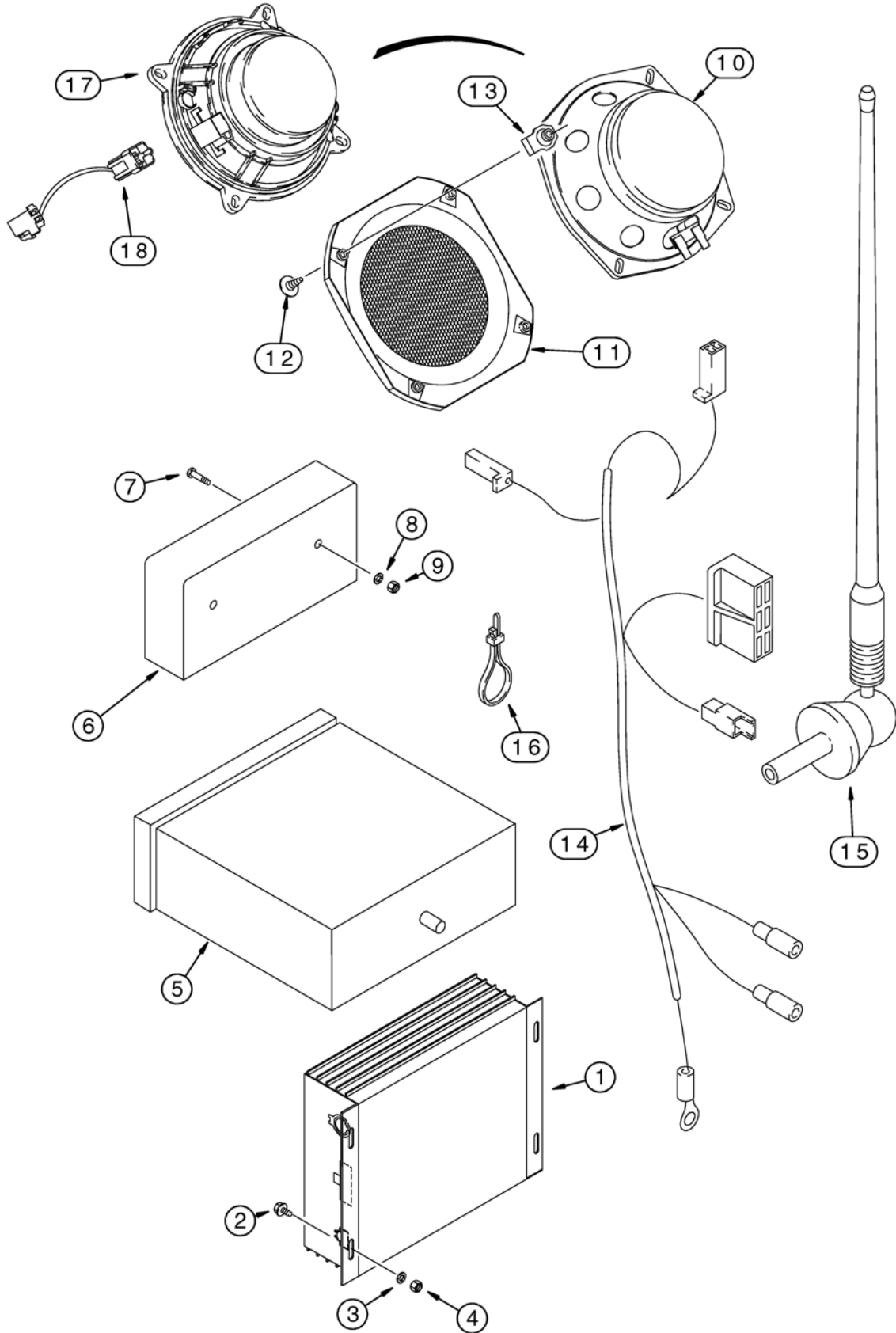


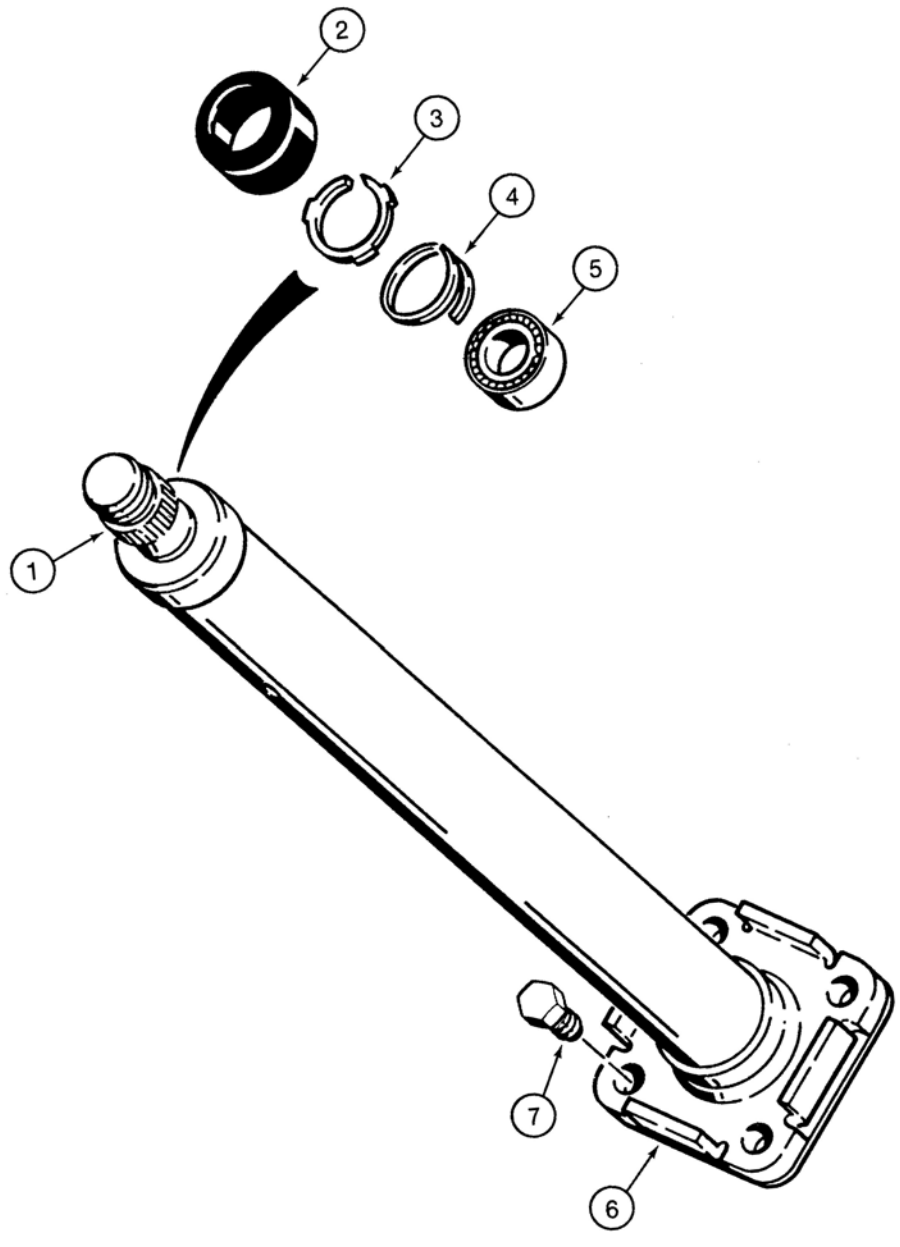


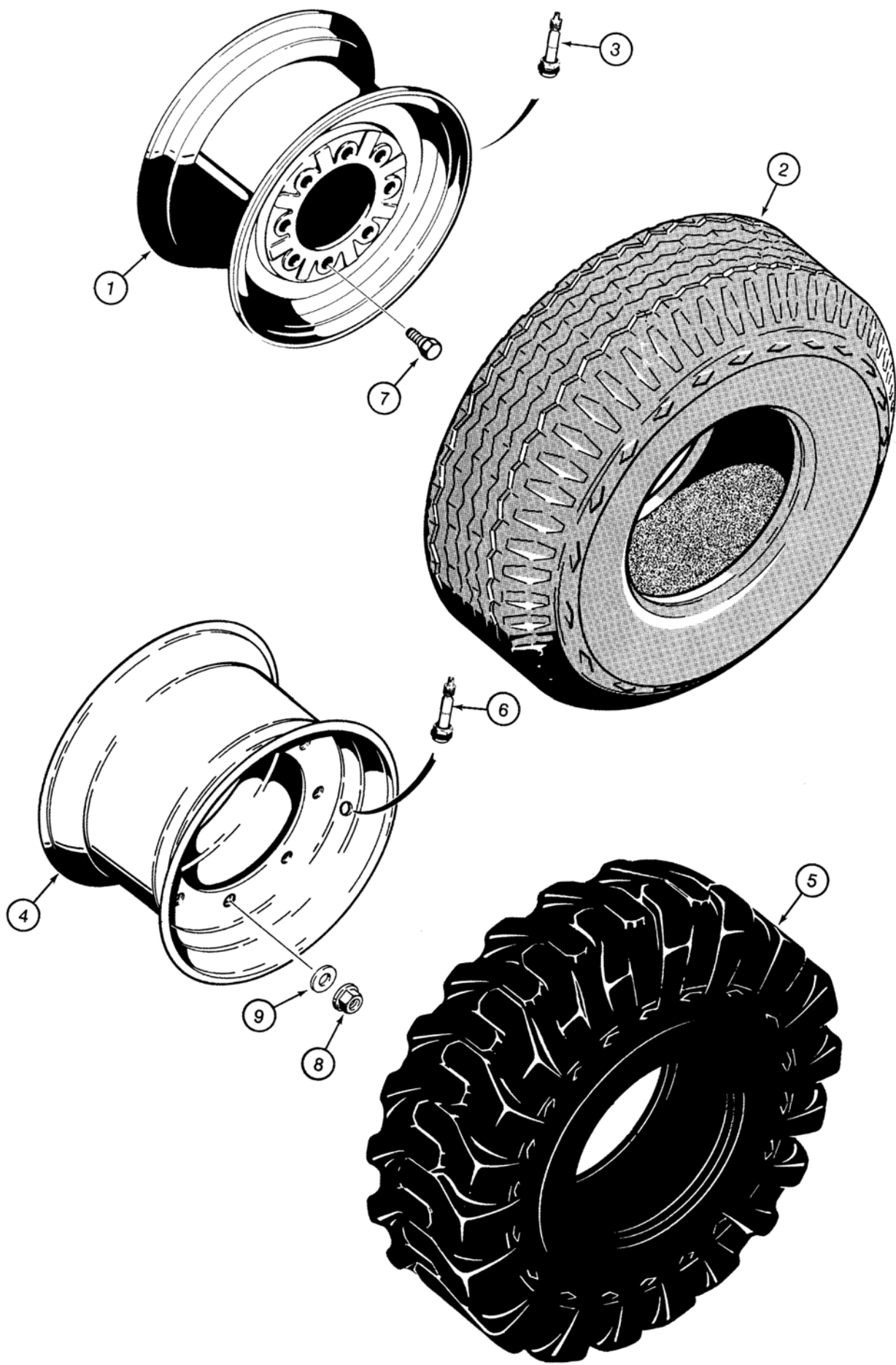


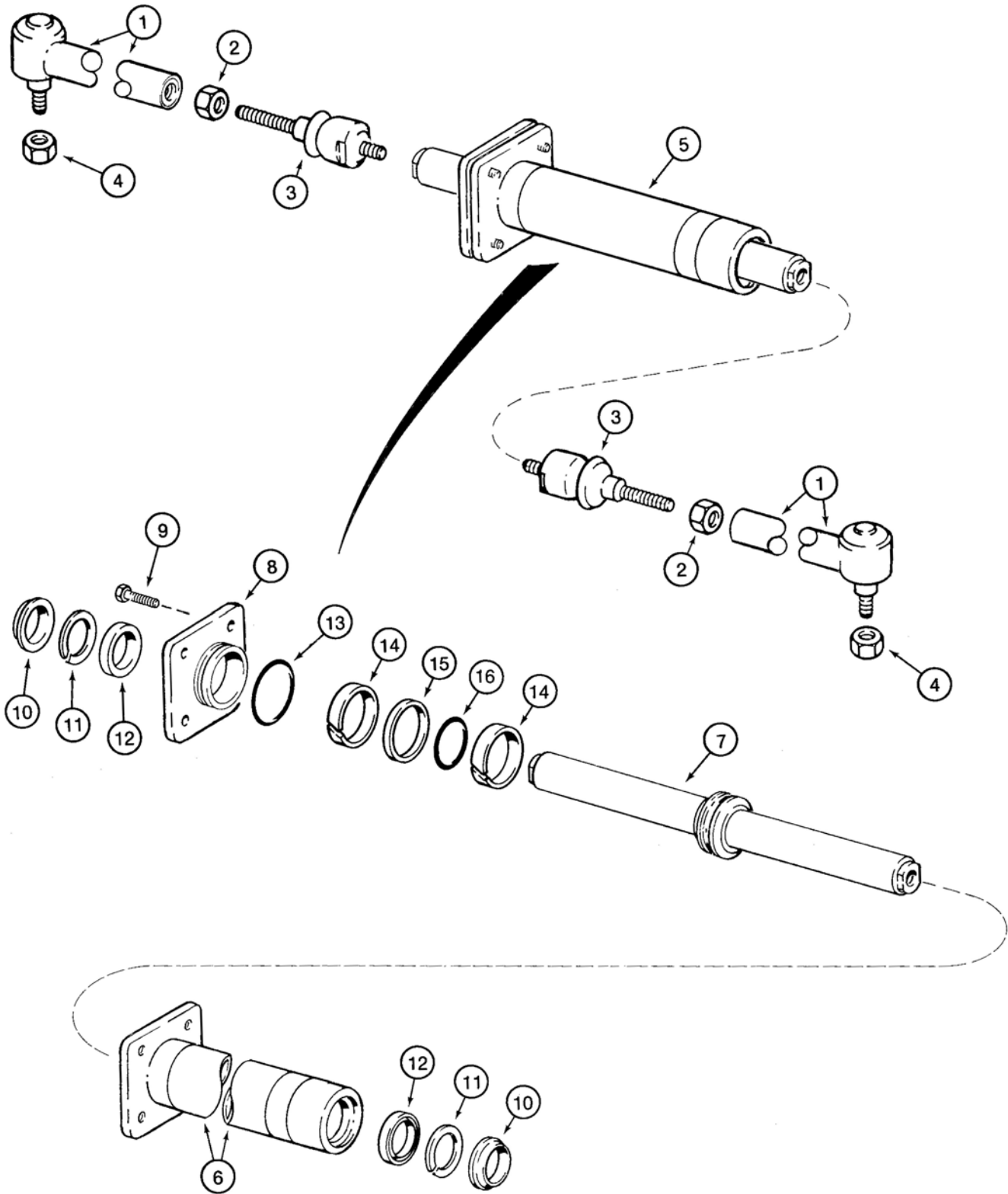


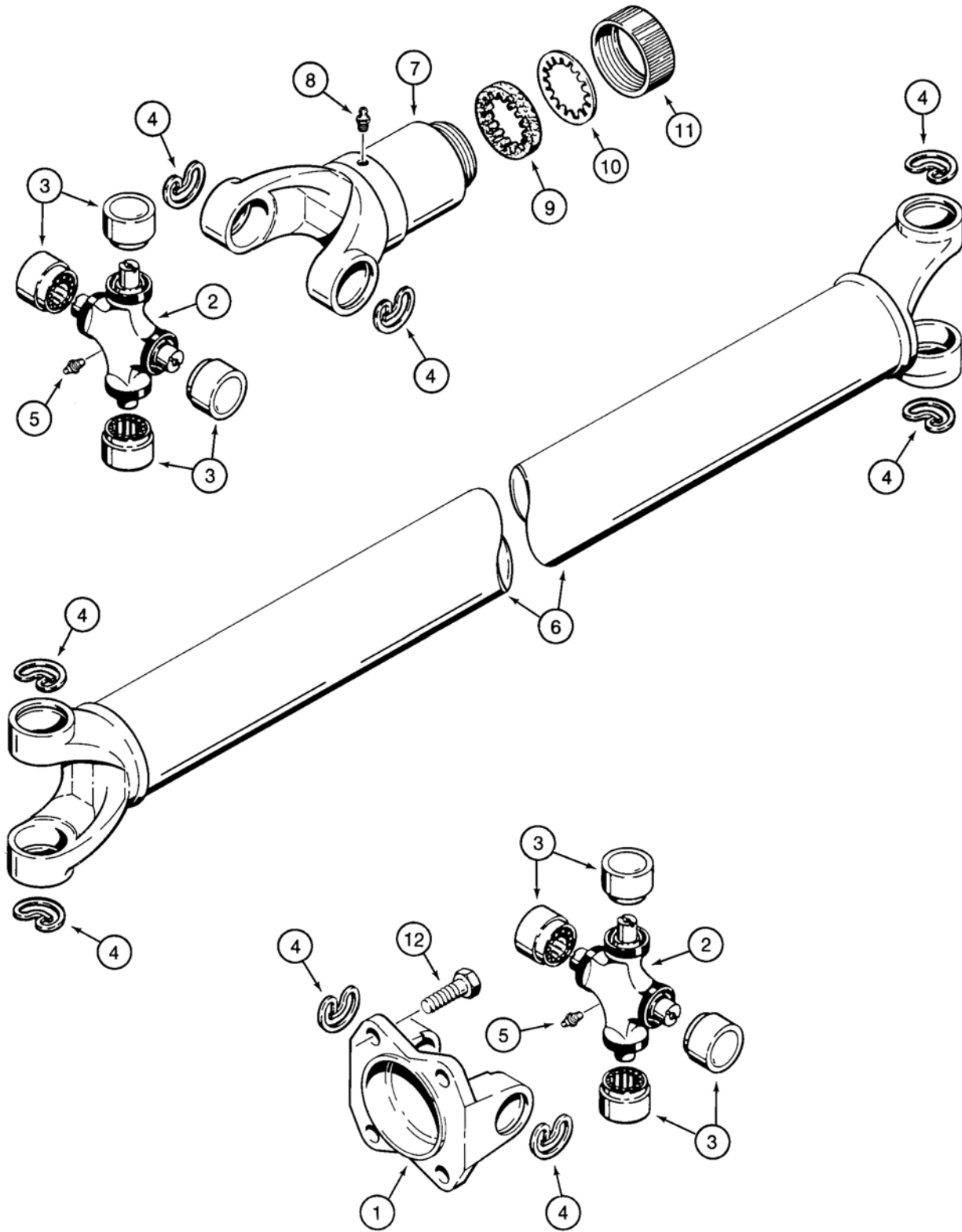


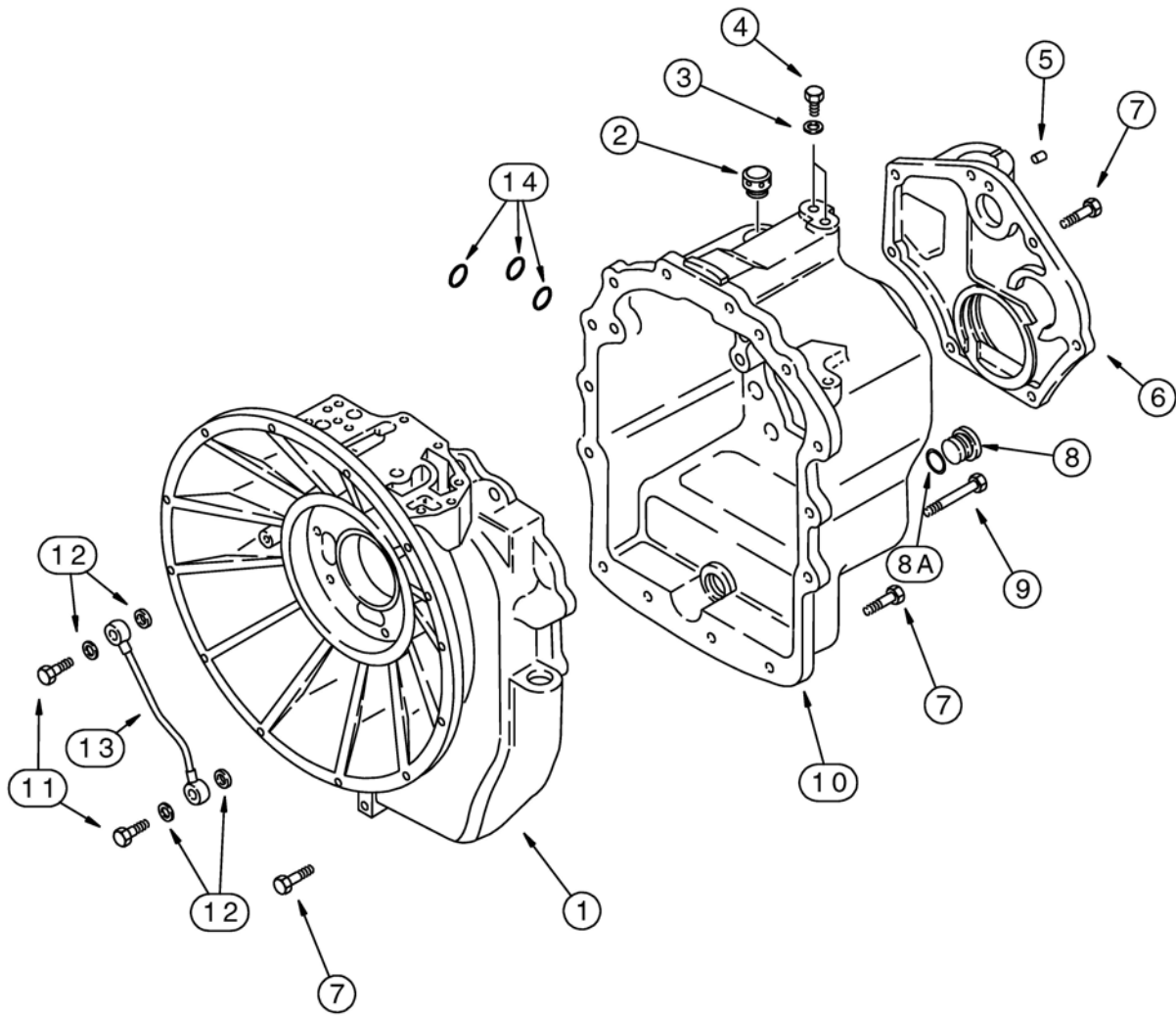


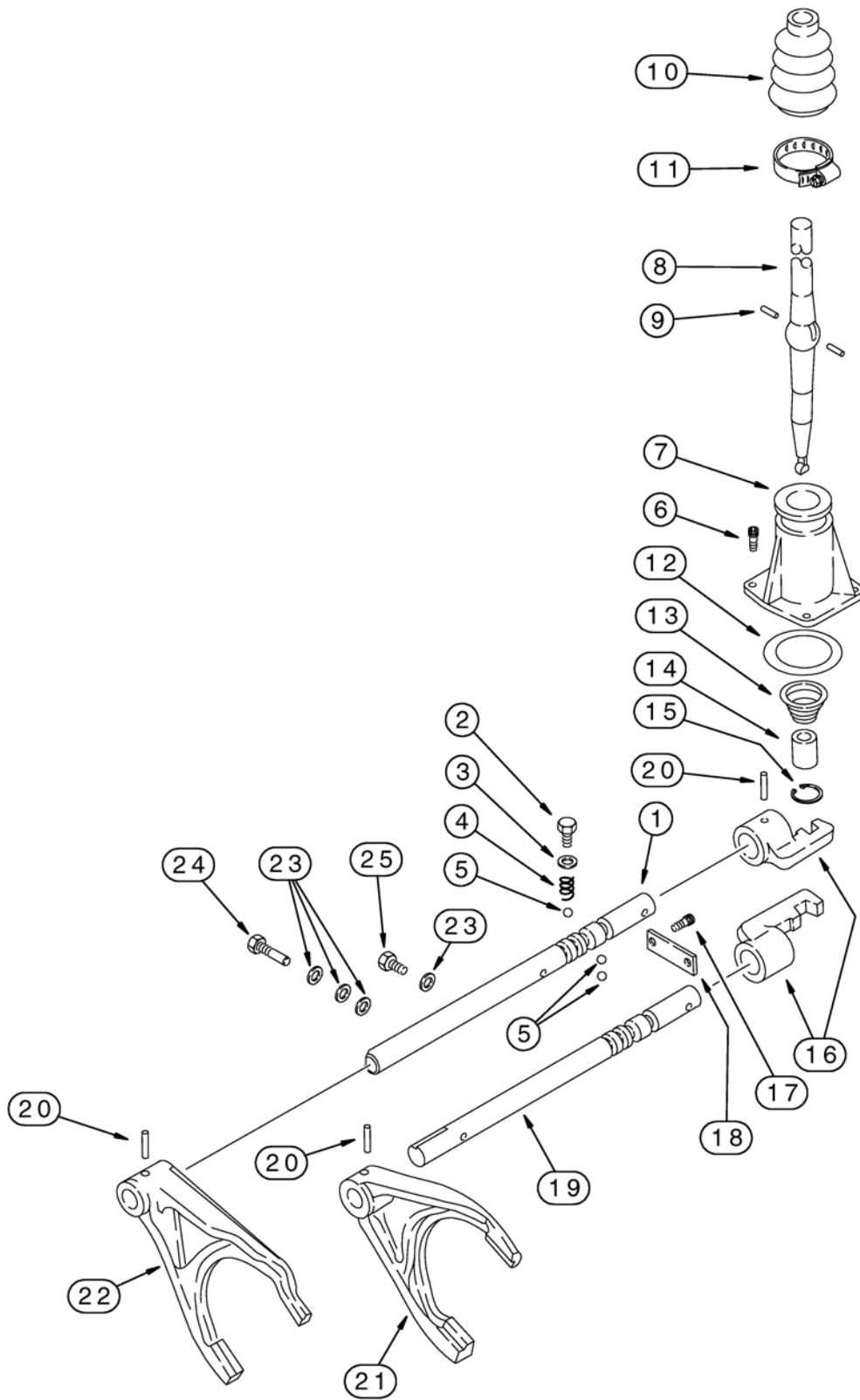


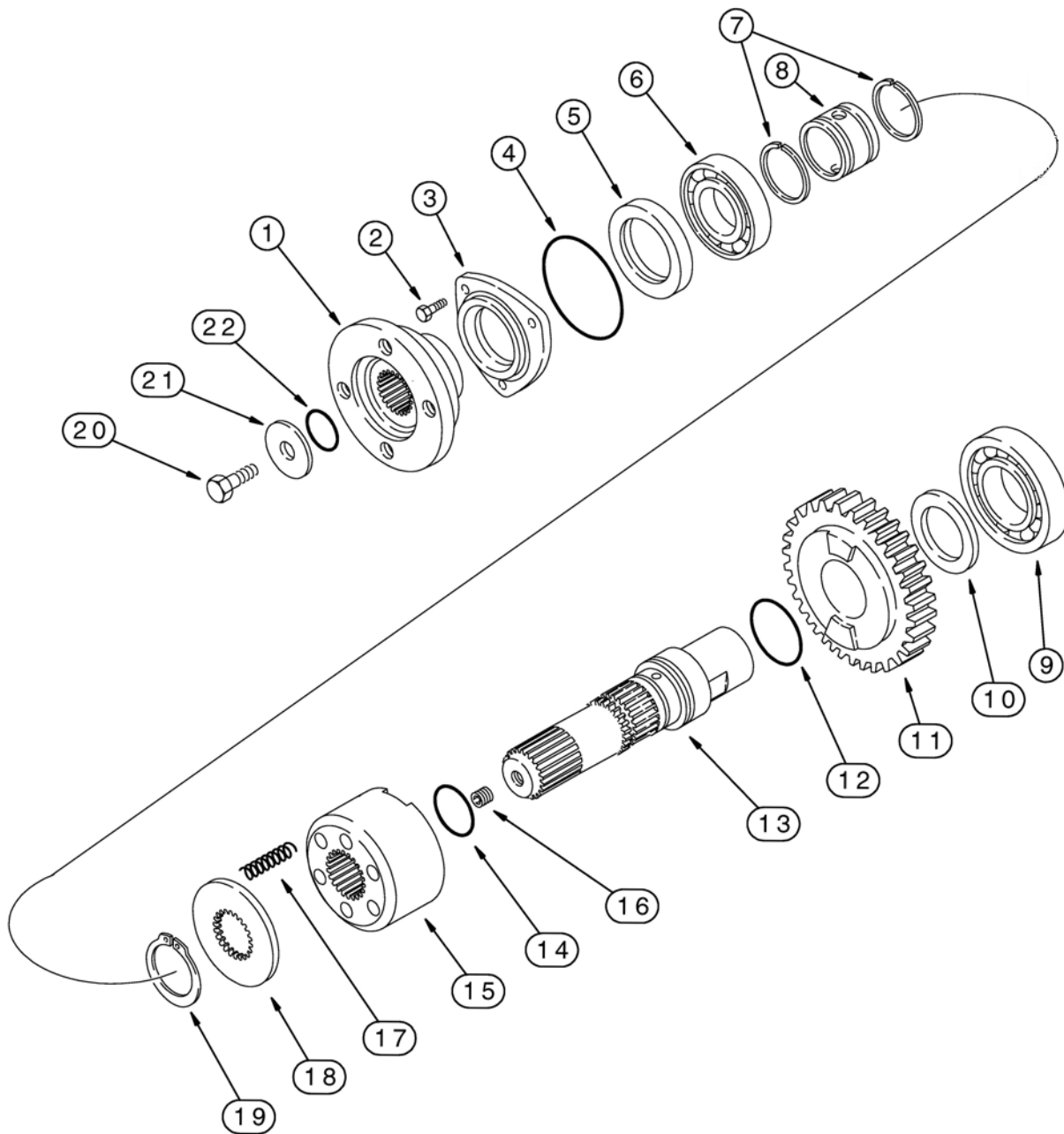


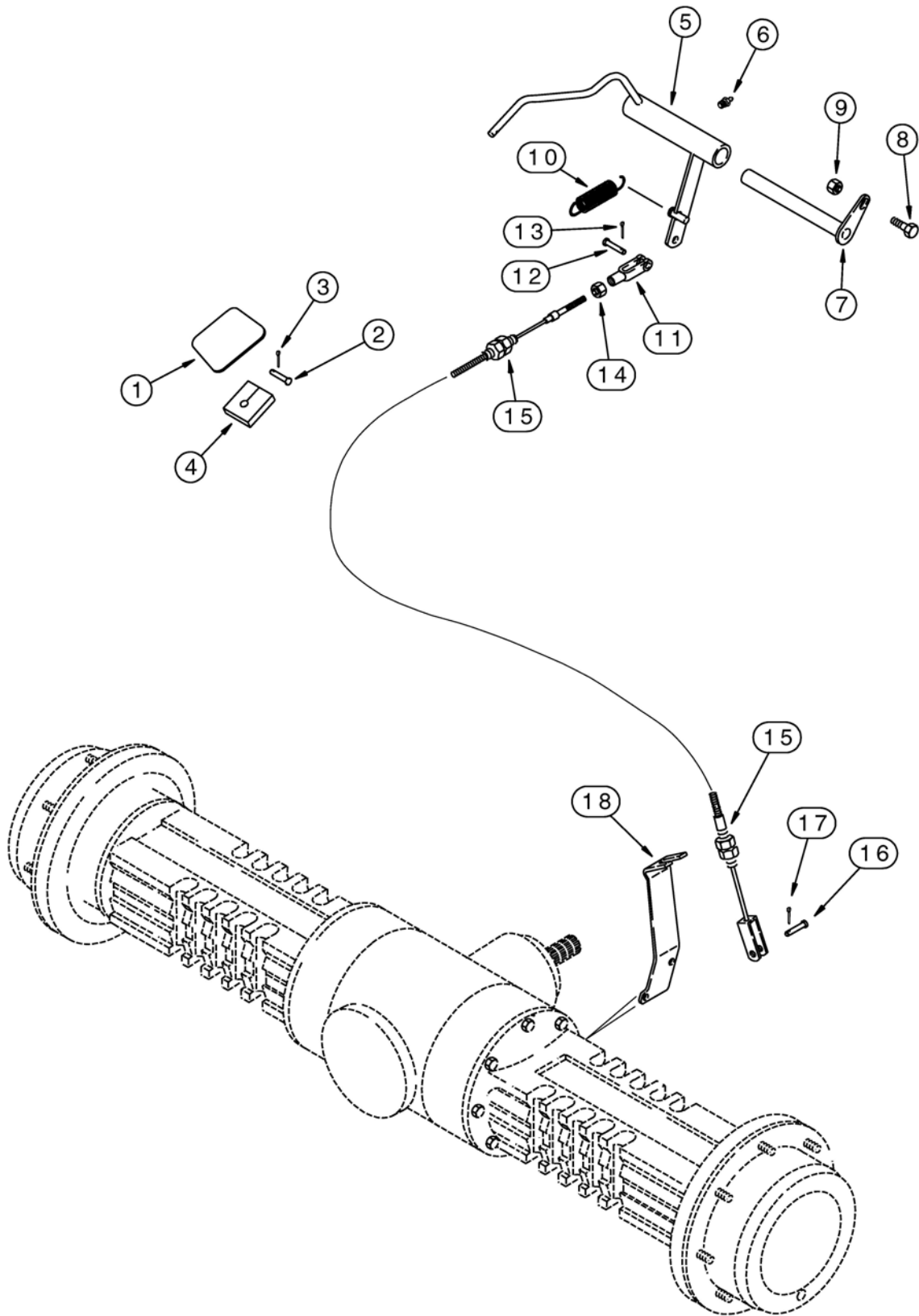


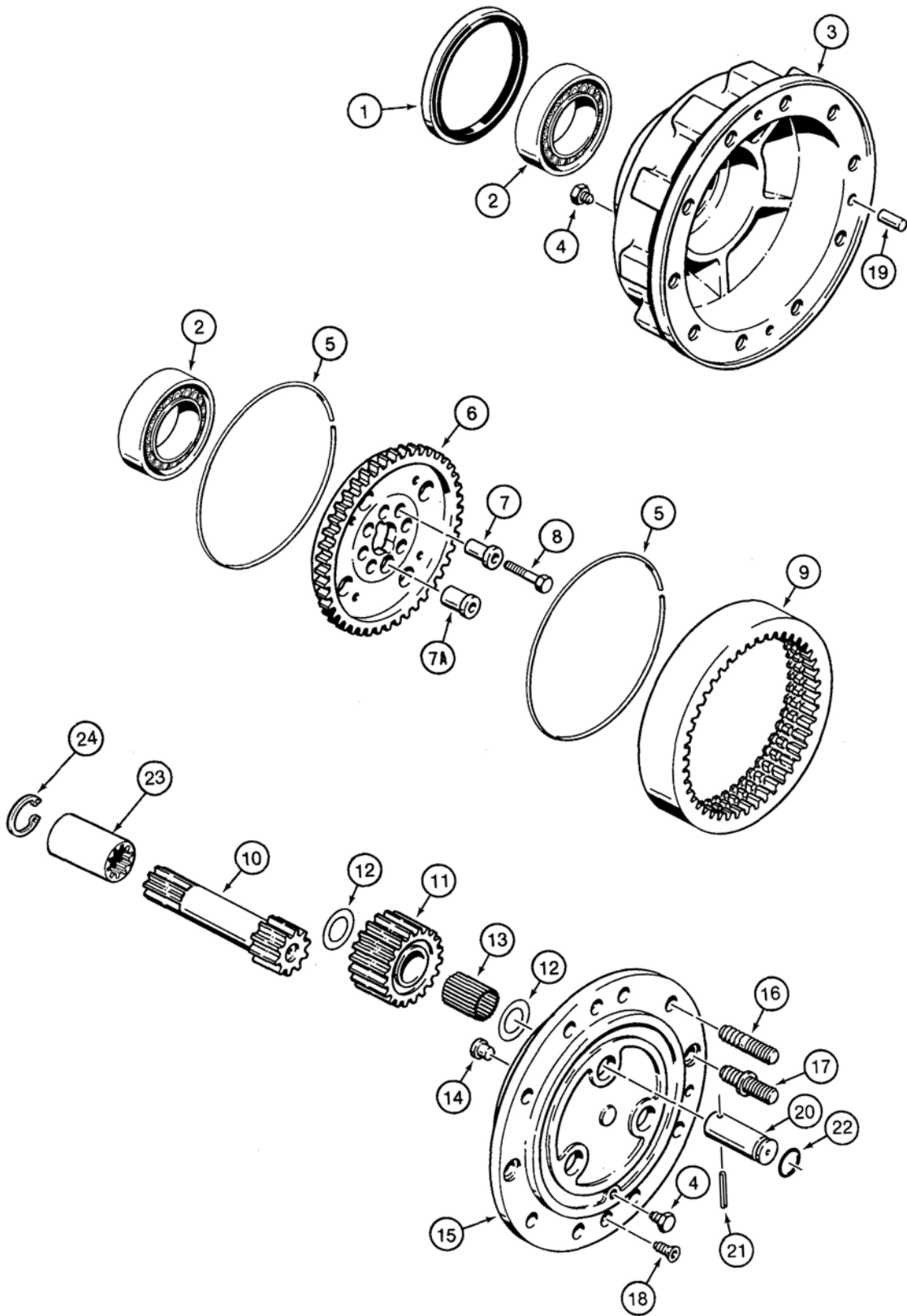


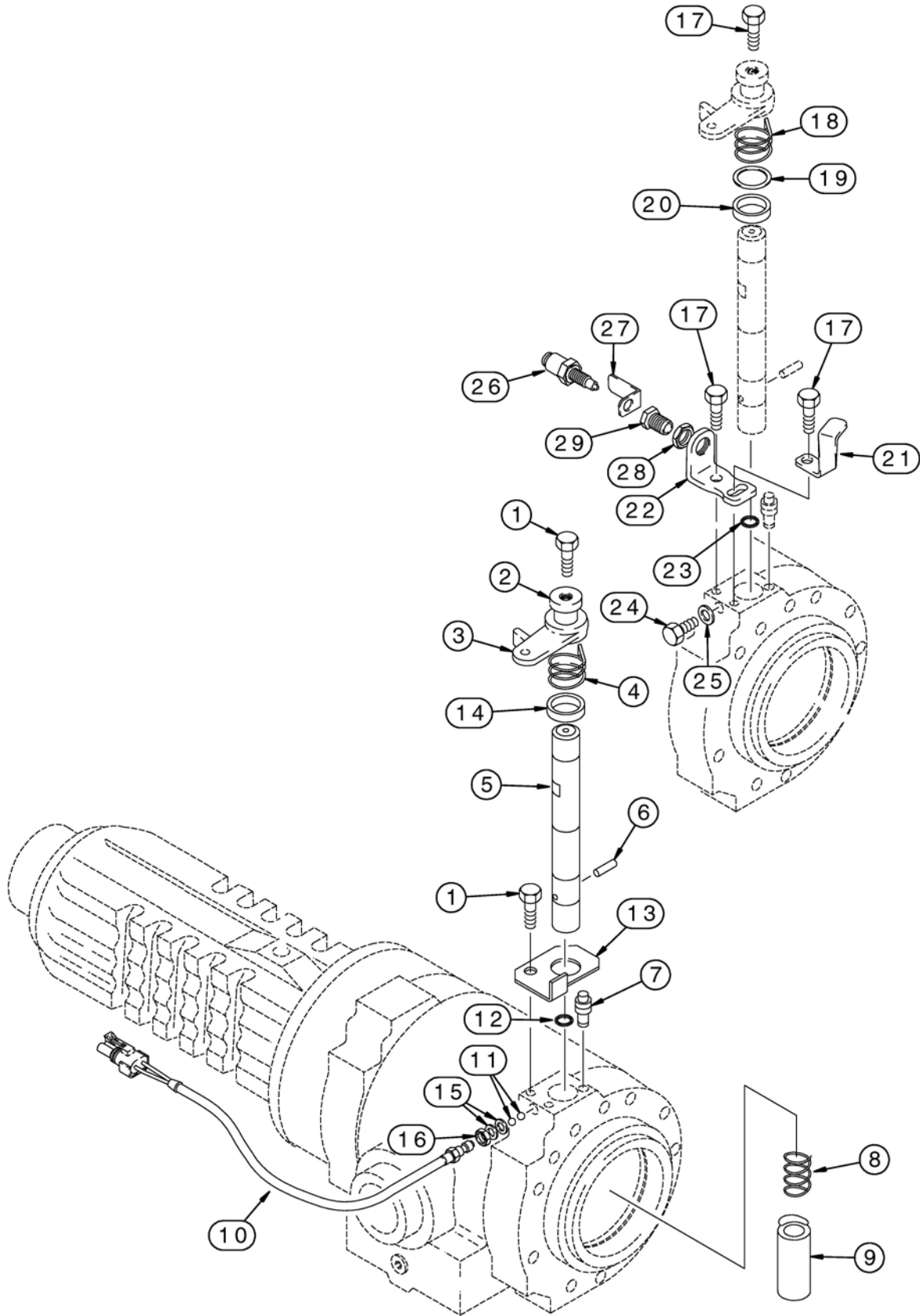


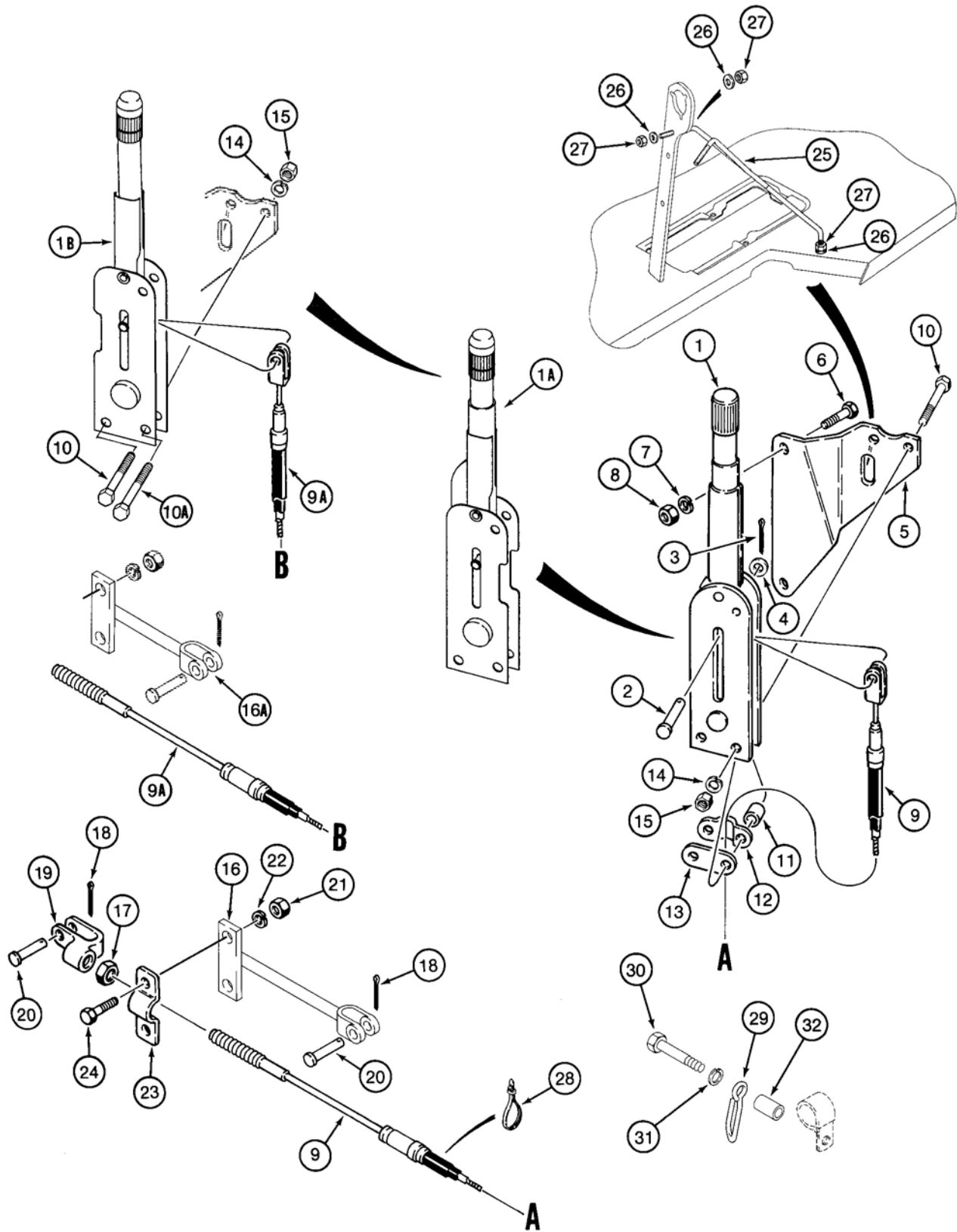


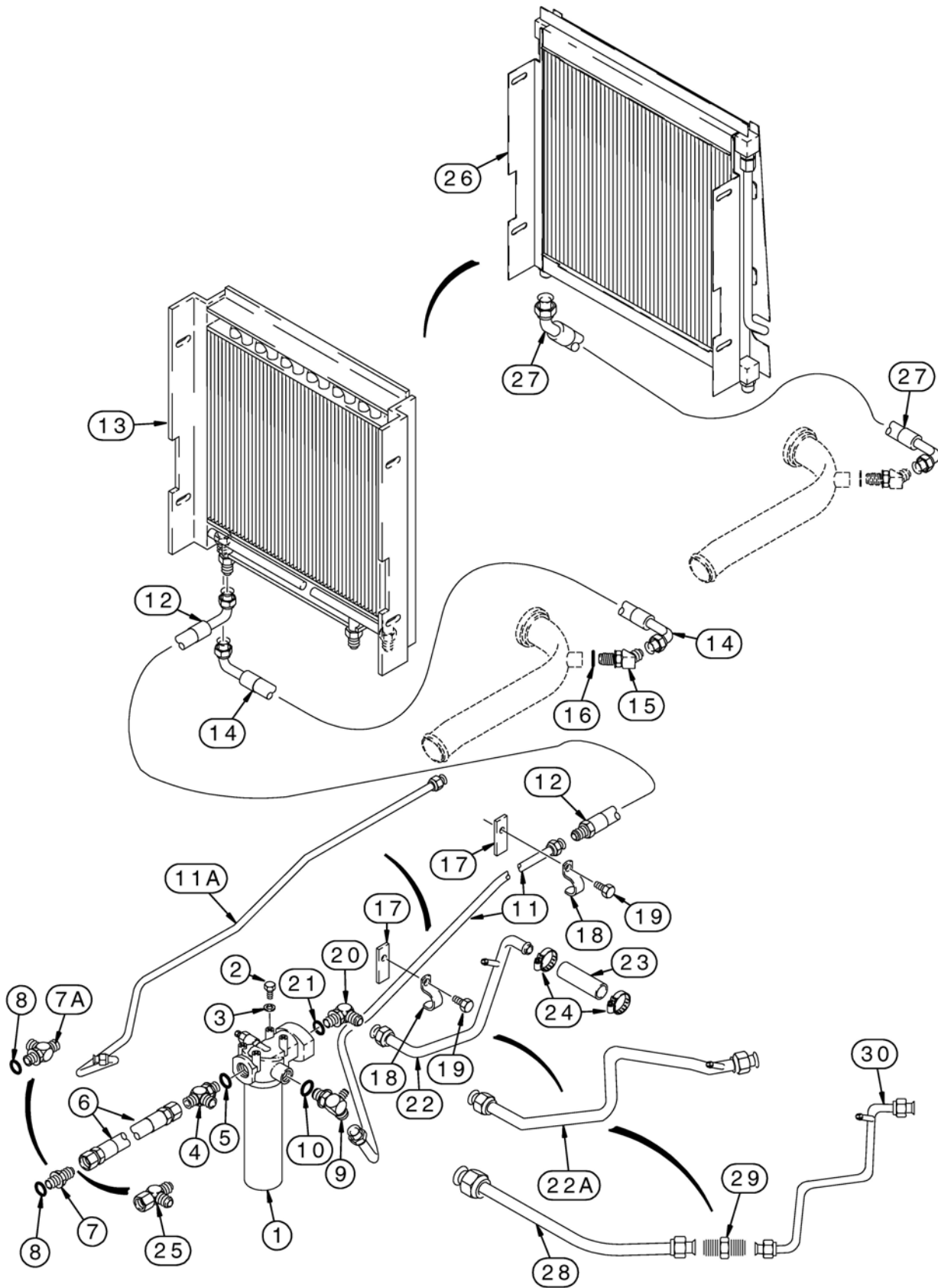


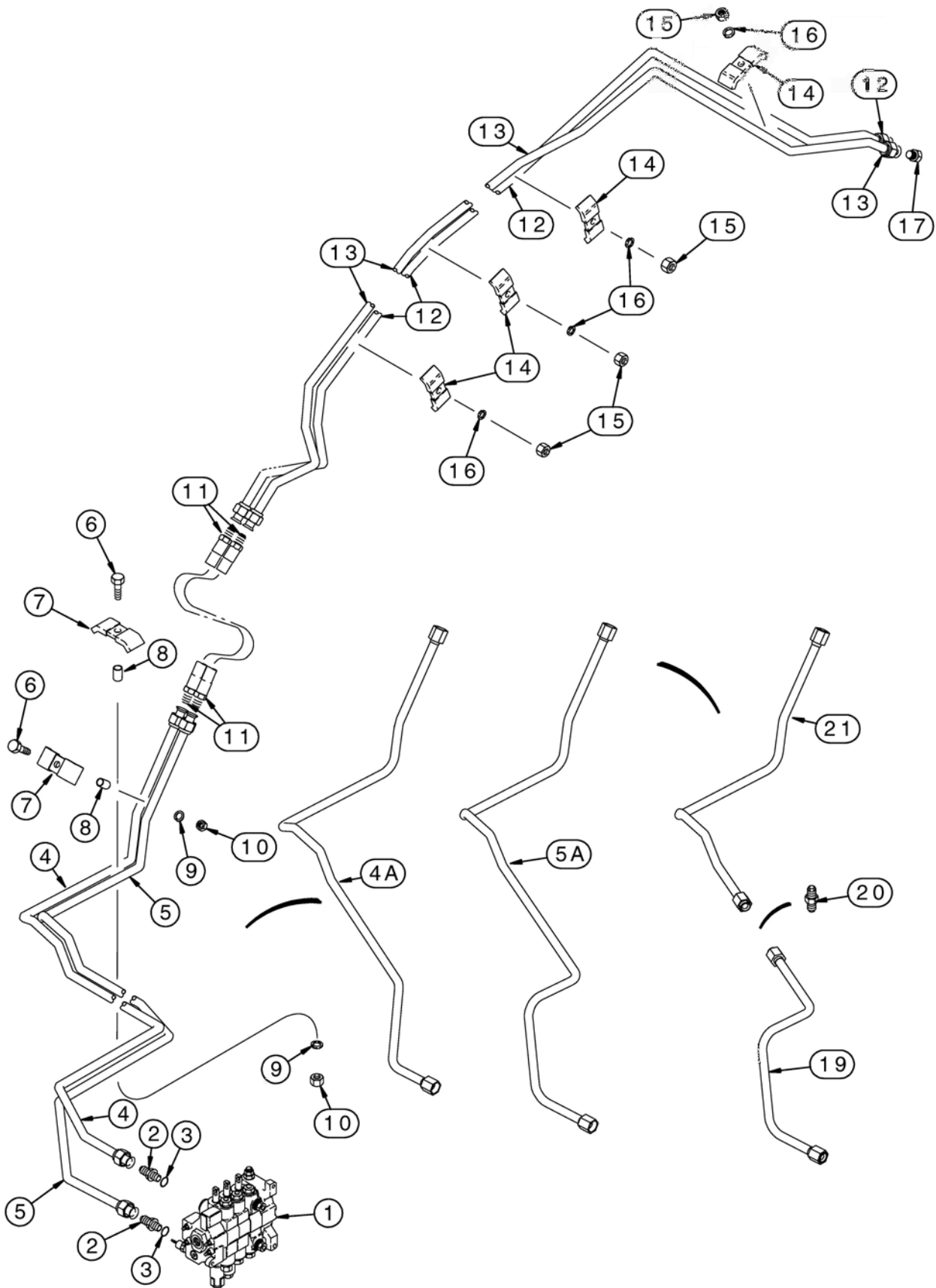


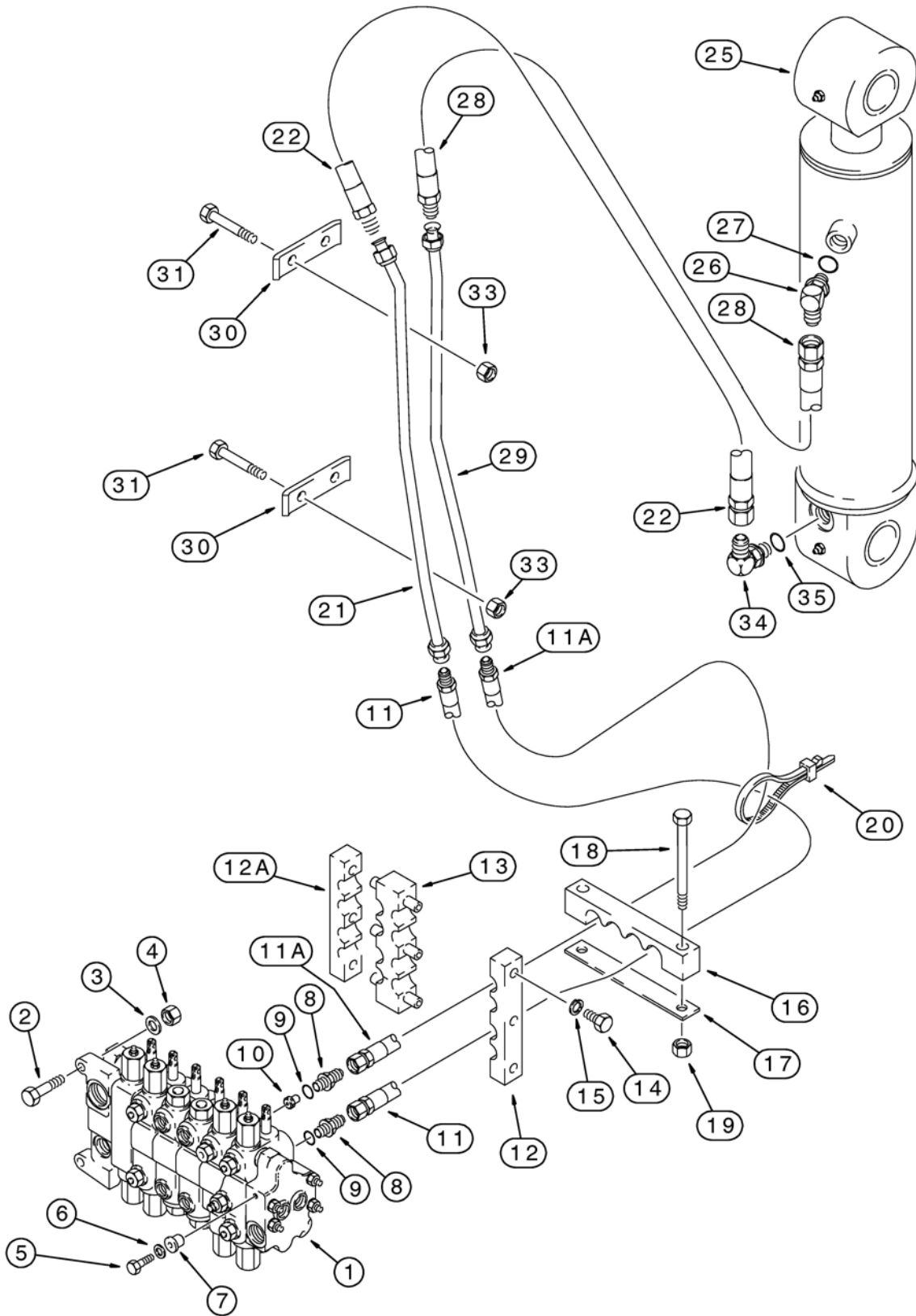


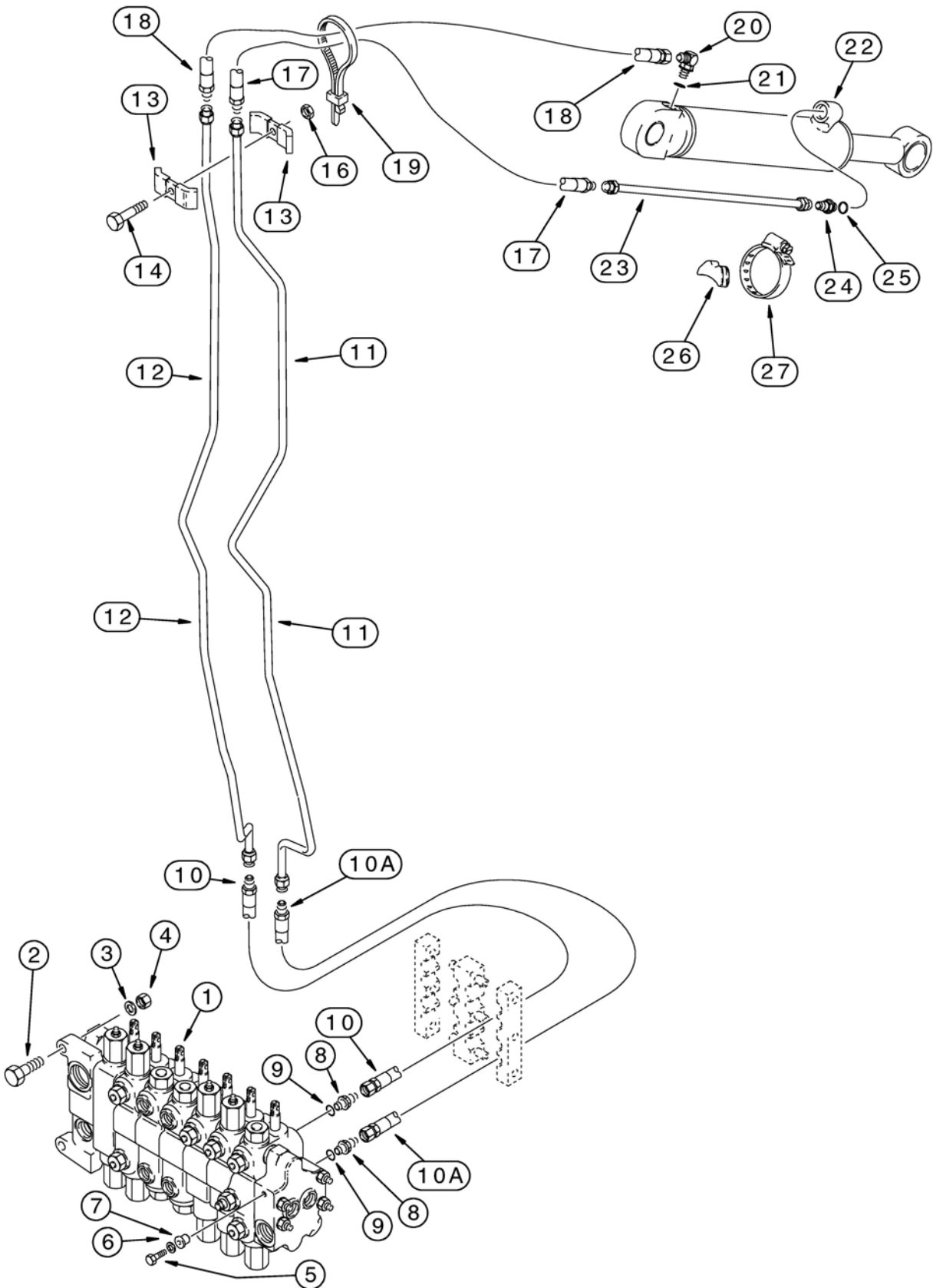


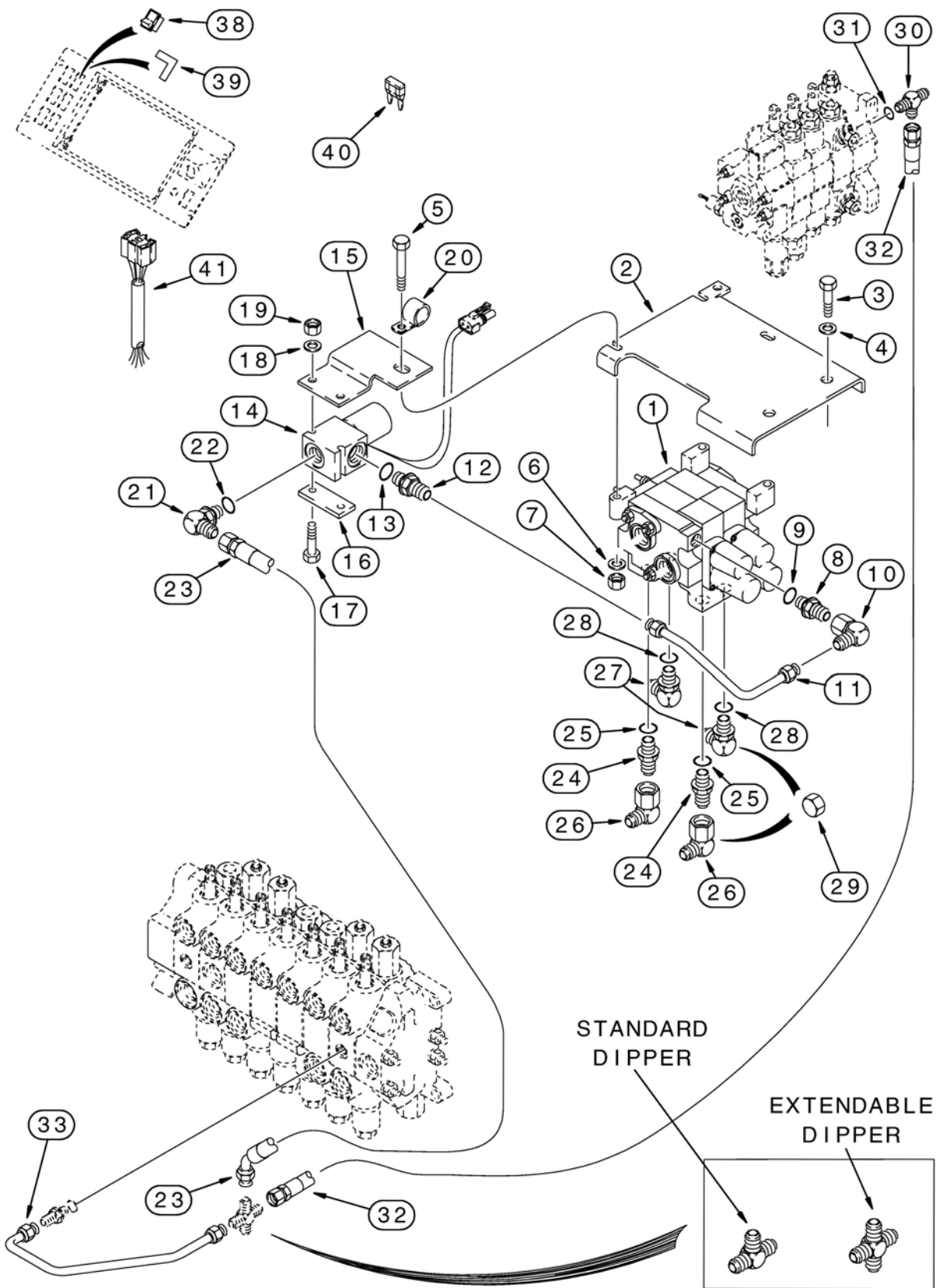












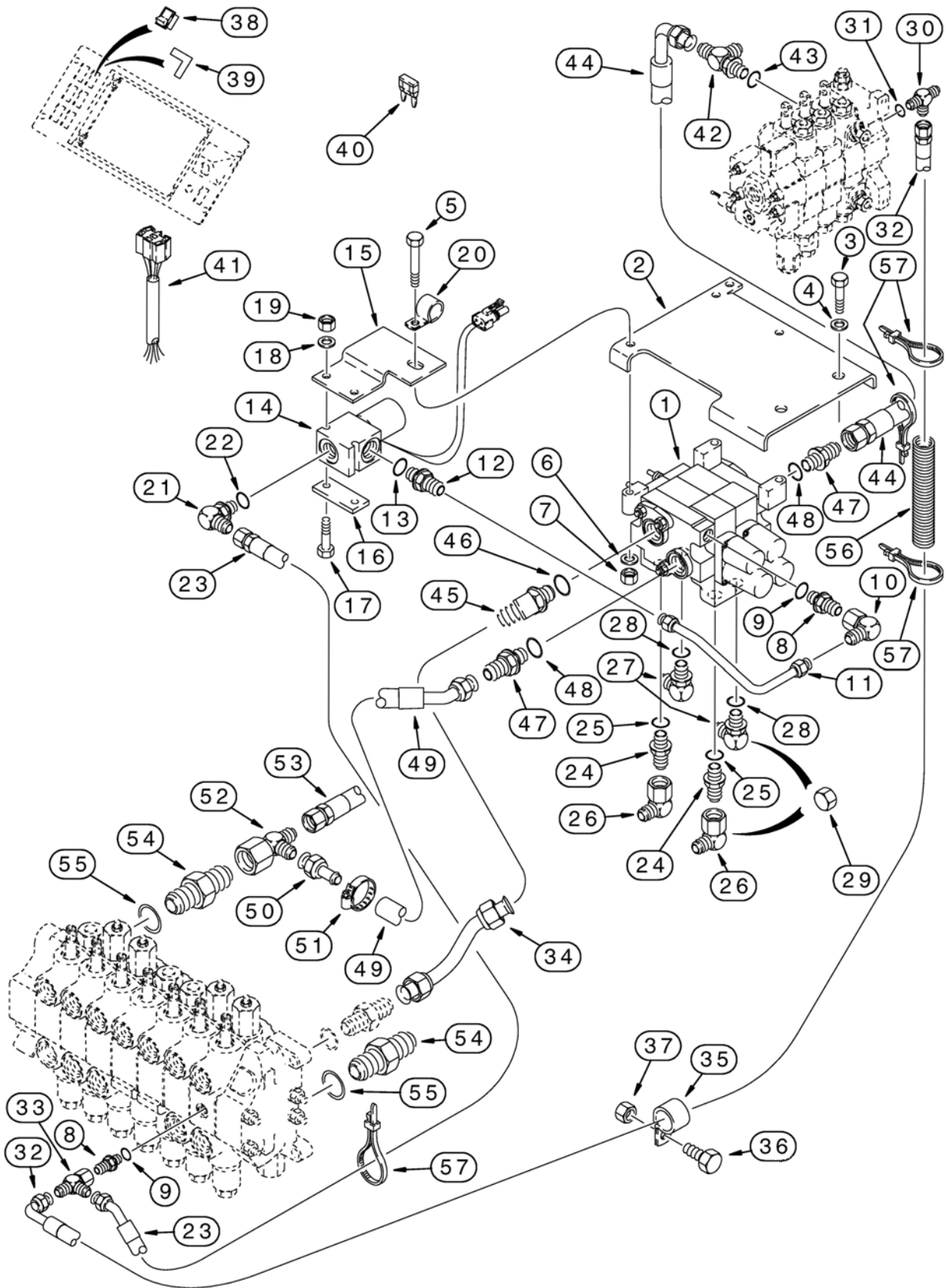
CLICK HERE TO **DOWNLOAD** THE COMPLETE MANUAL

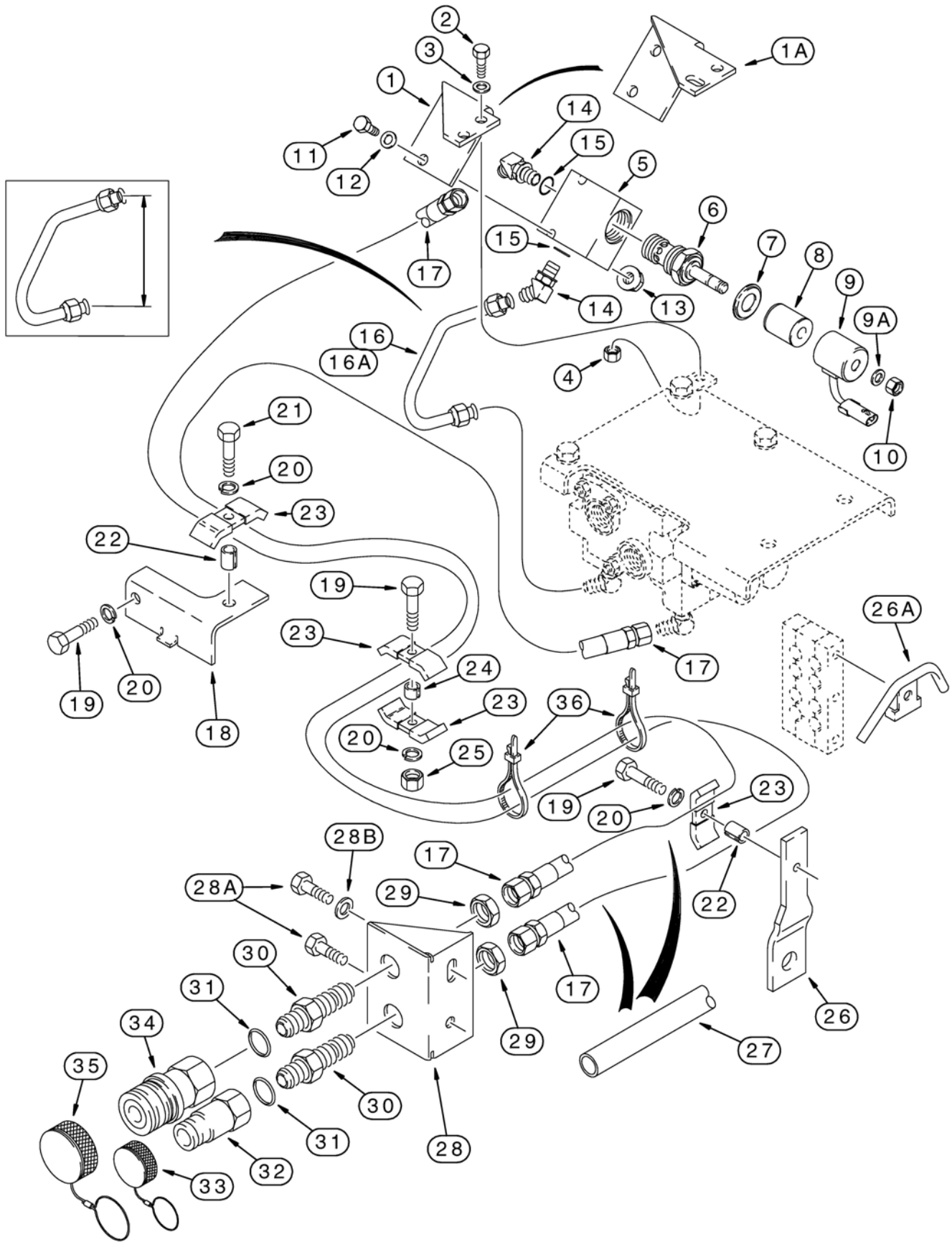
- Thank you very much for reading the preview of the manual.
- You can download the complete manual from: [www.heydownloads.com](http://www.heydownloads.com) by clicking the link below

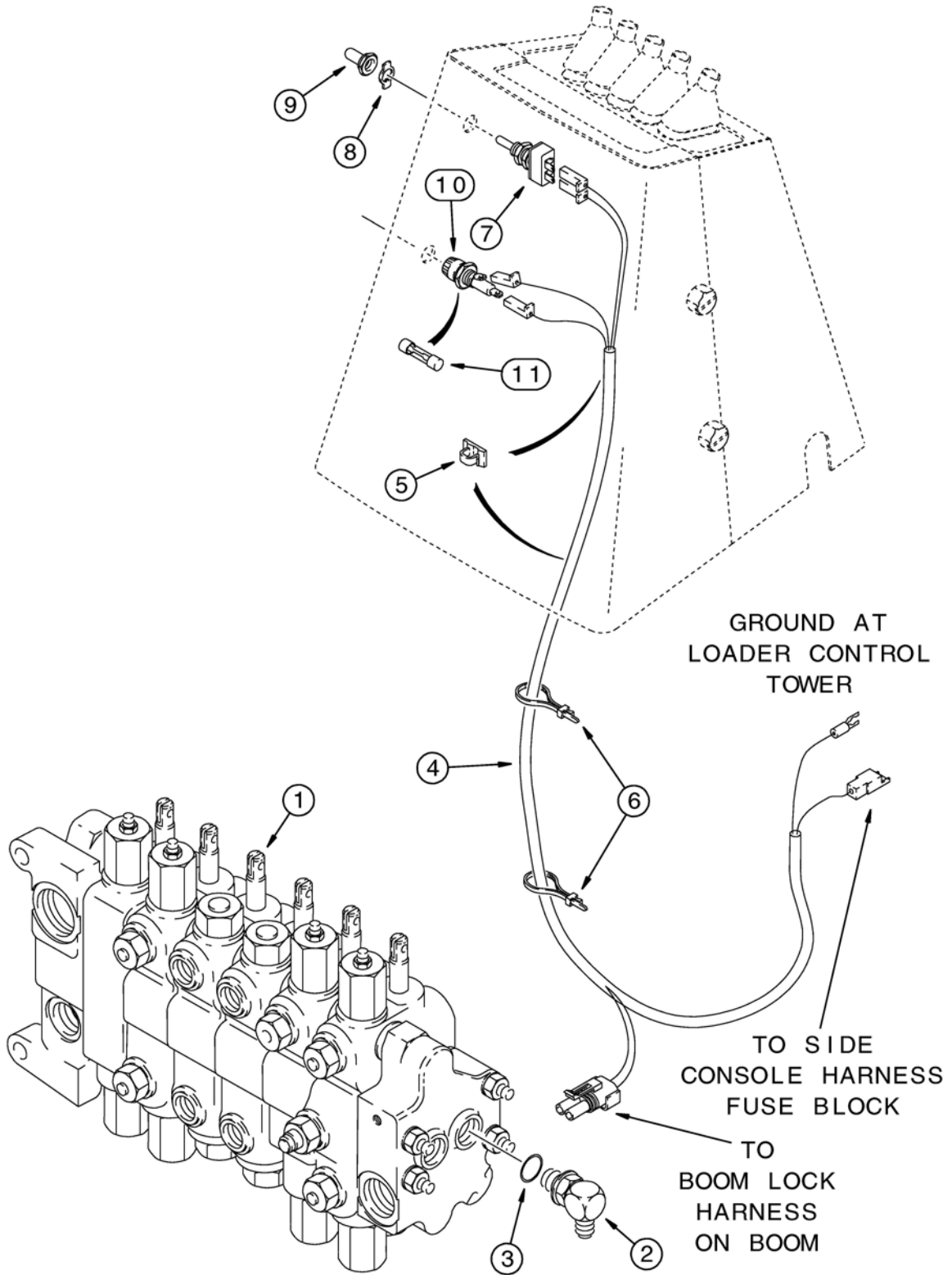


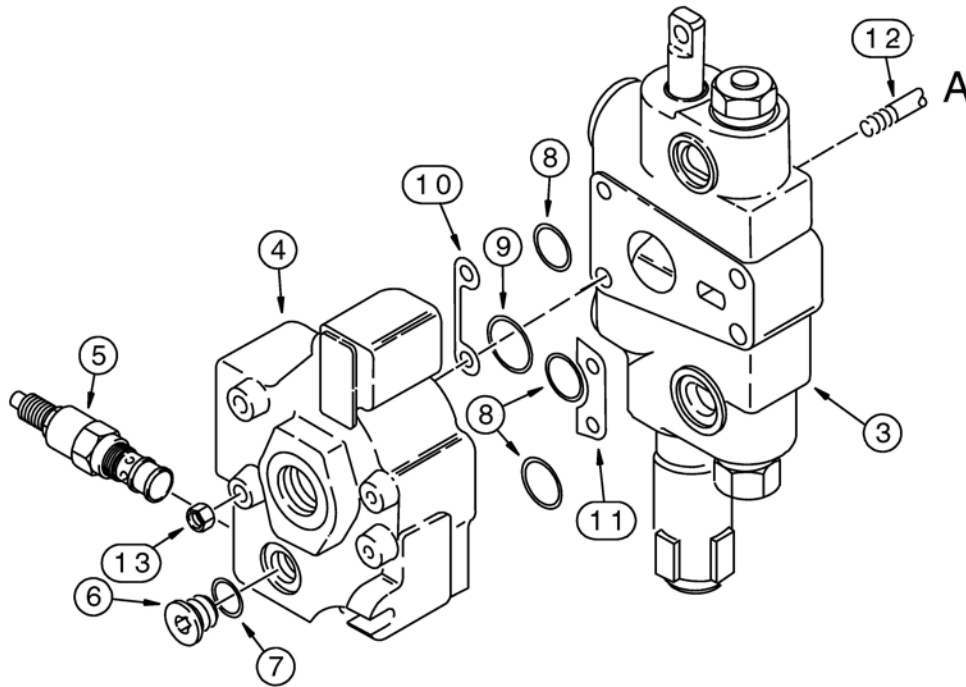
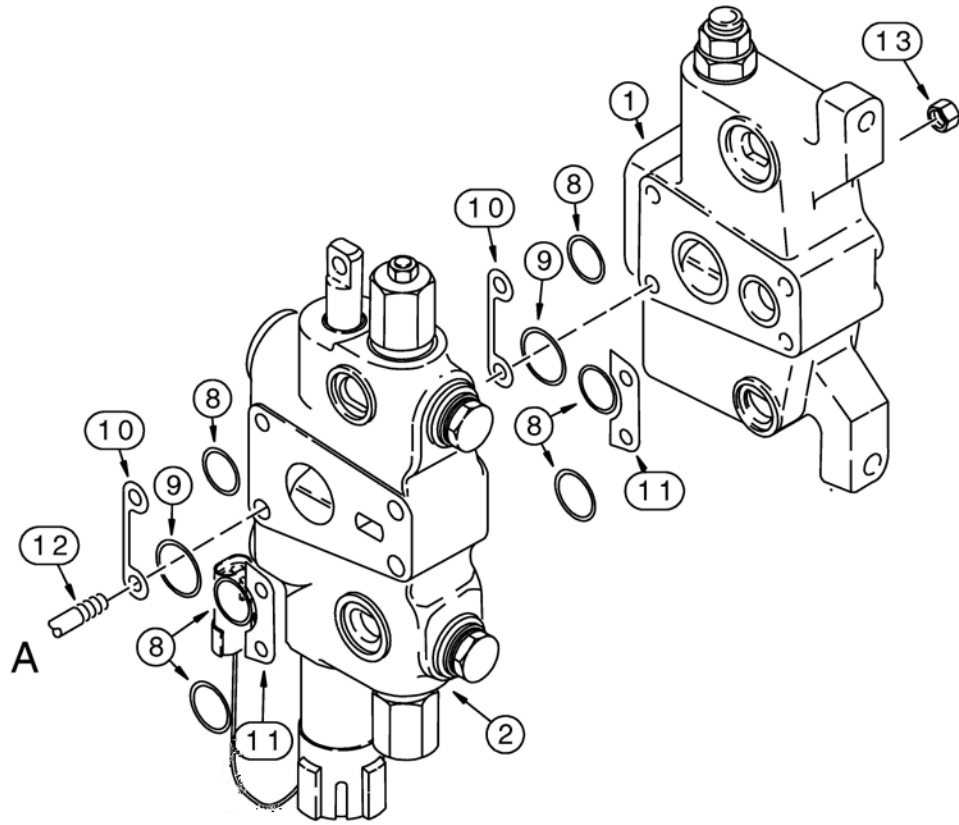
- Please note: If there is no response to CLICKING the link, please download this PDF first and then click on it.

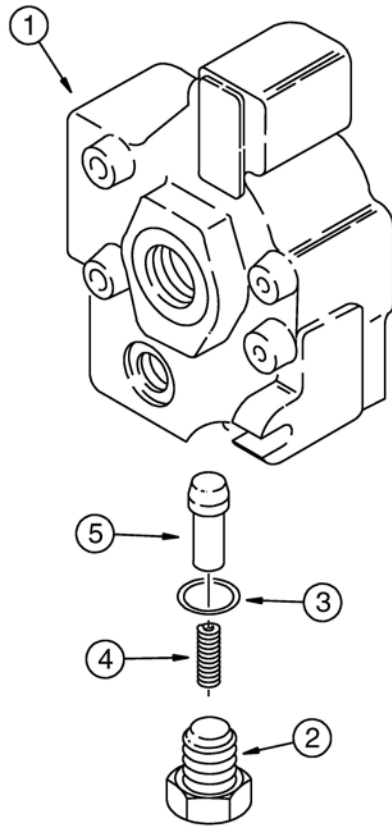
CLICK HERE TO **DOWNLOAD** THE COMPLETE MANUAL

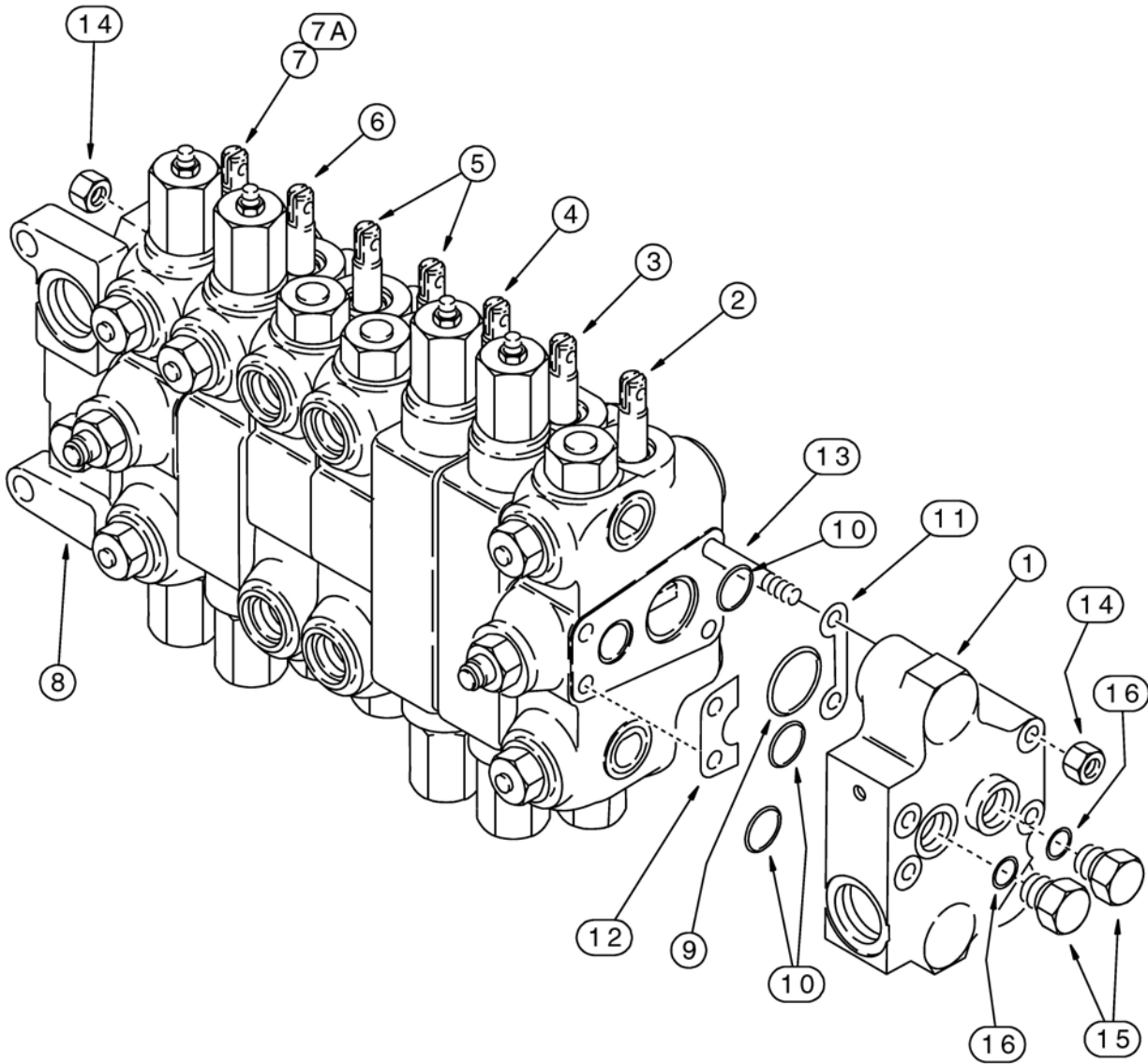


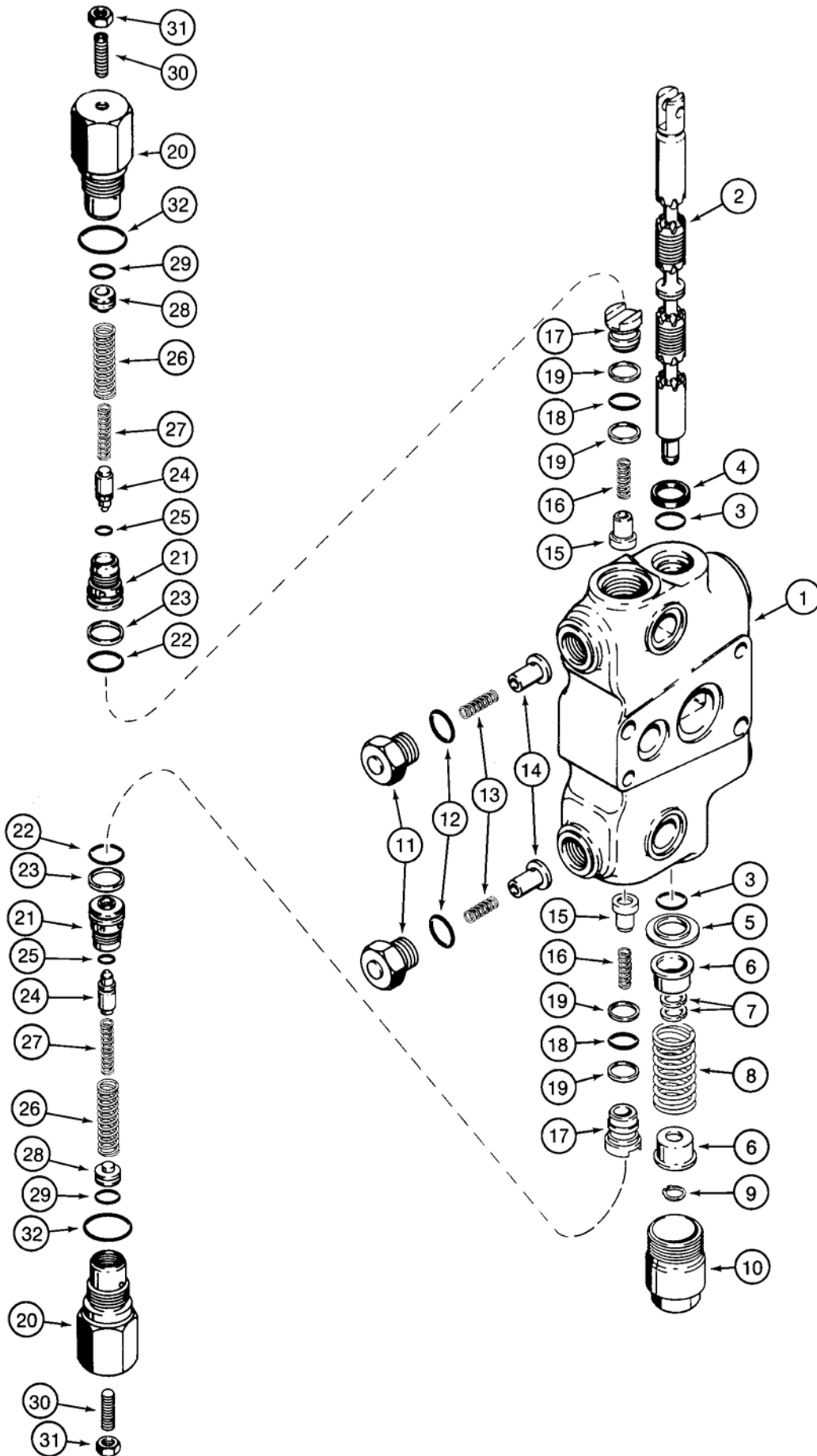


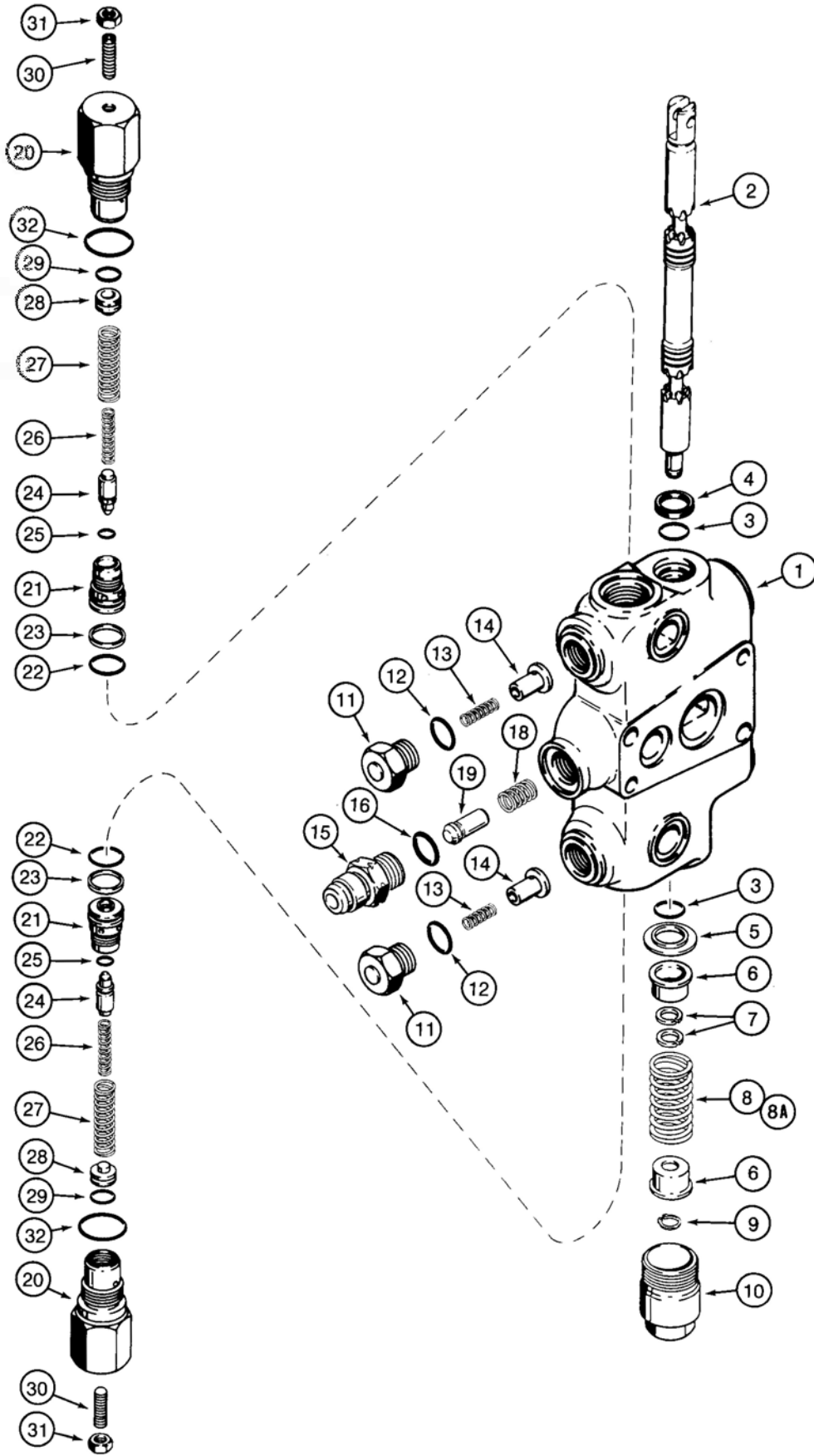


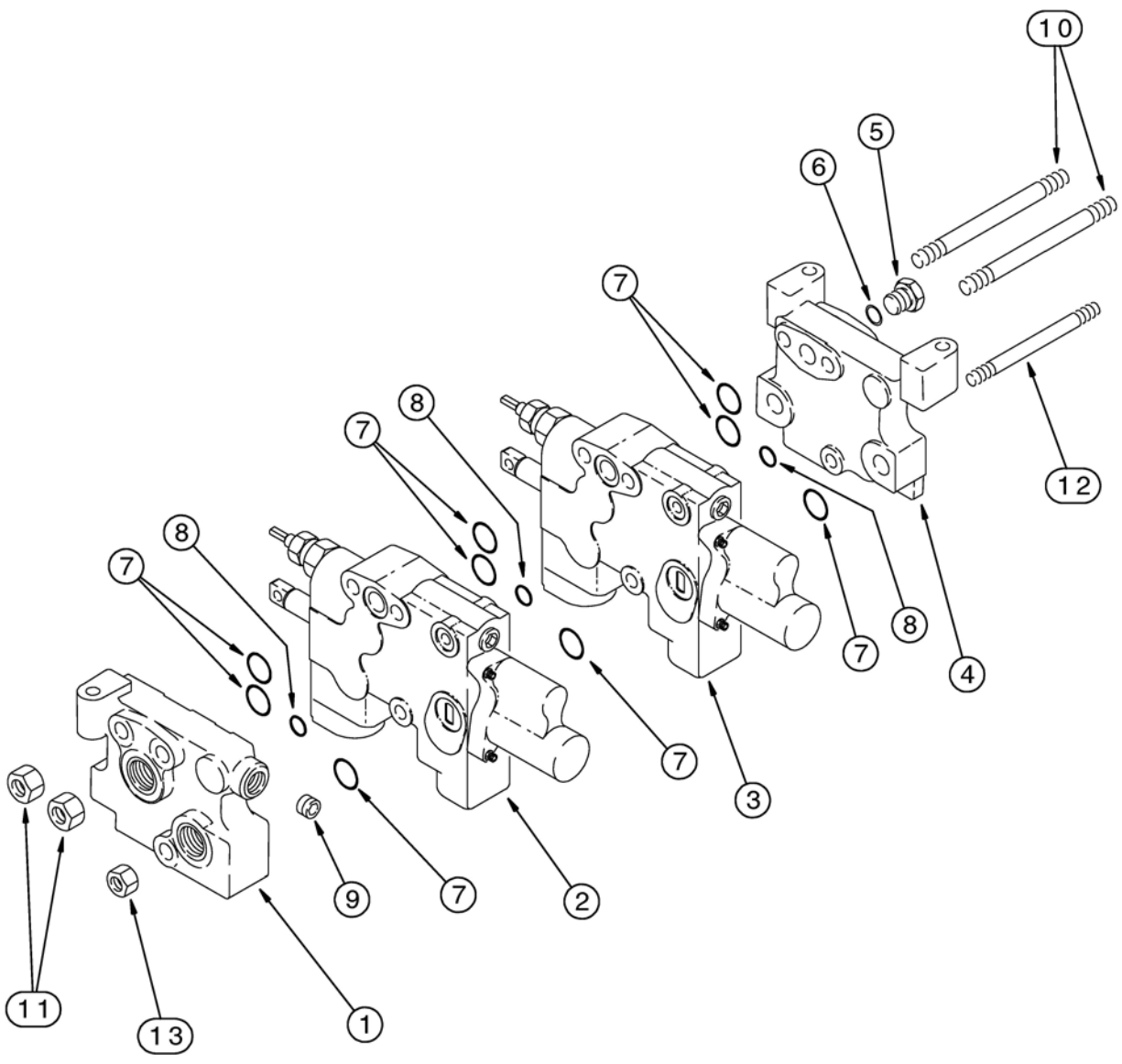


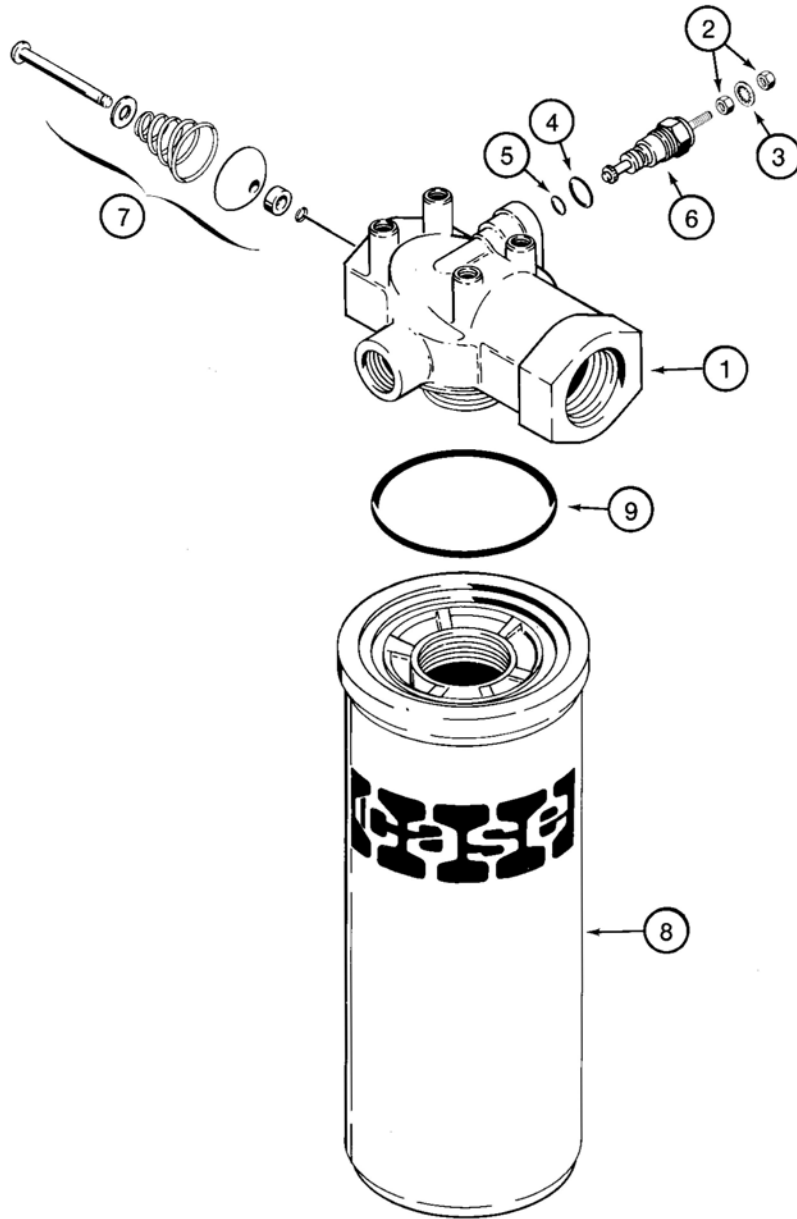


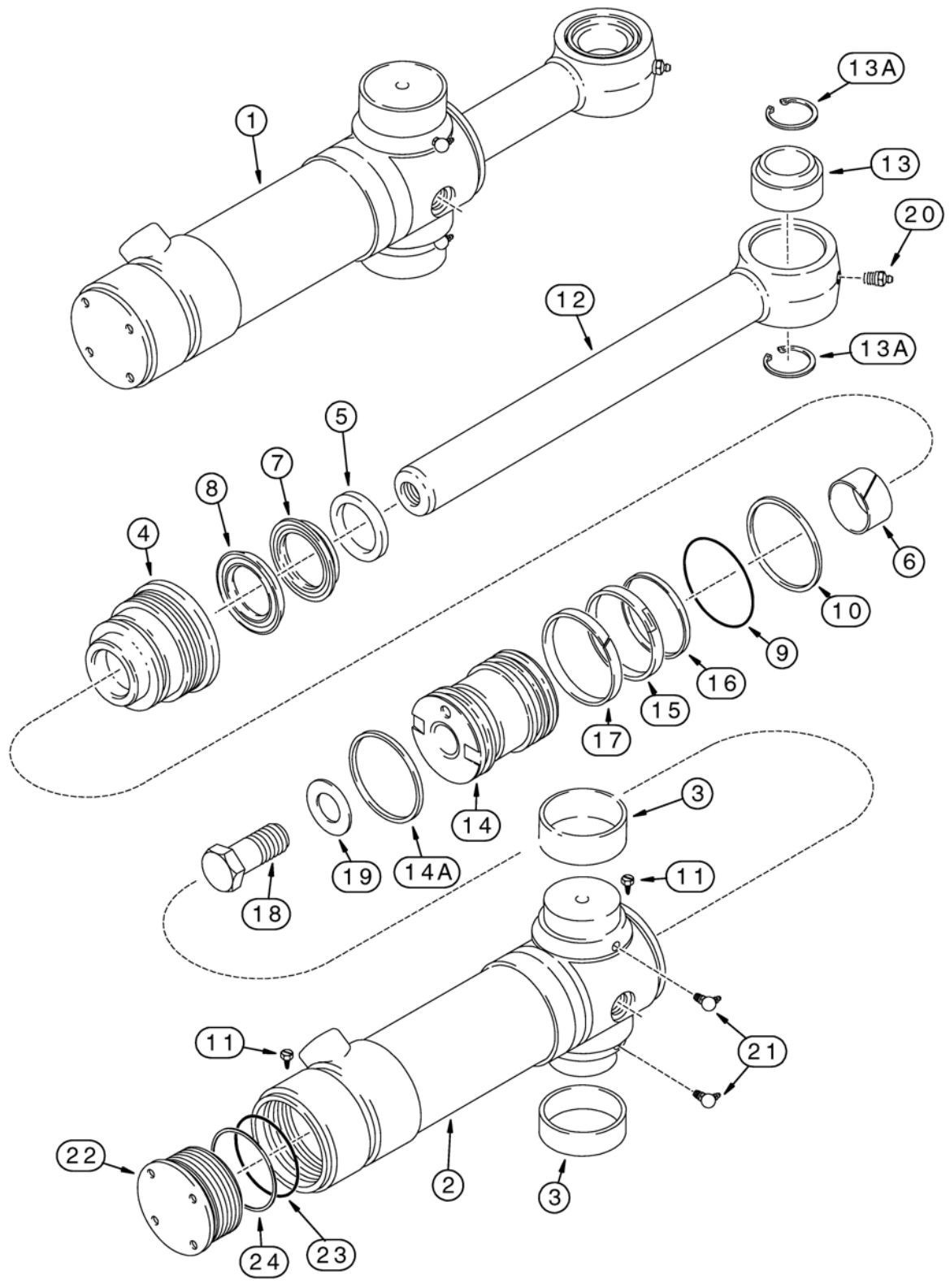


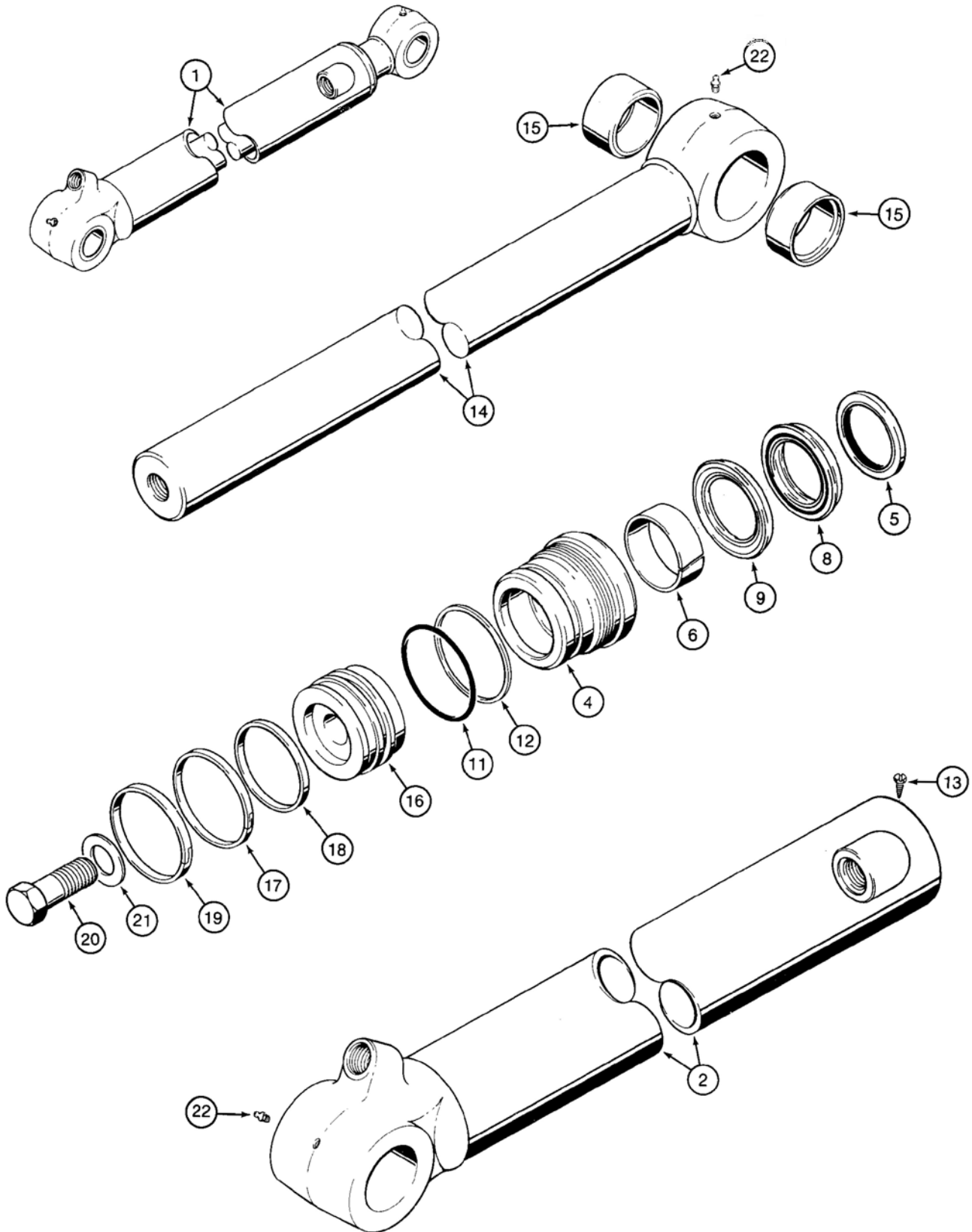


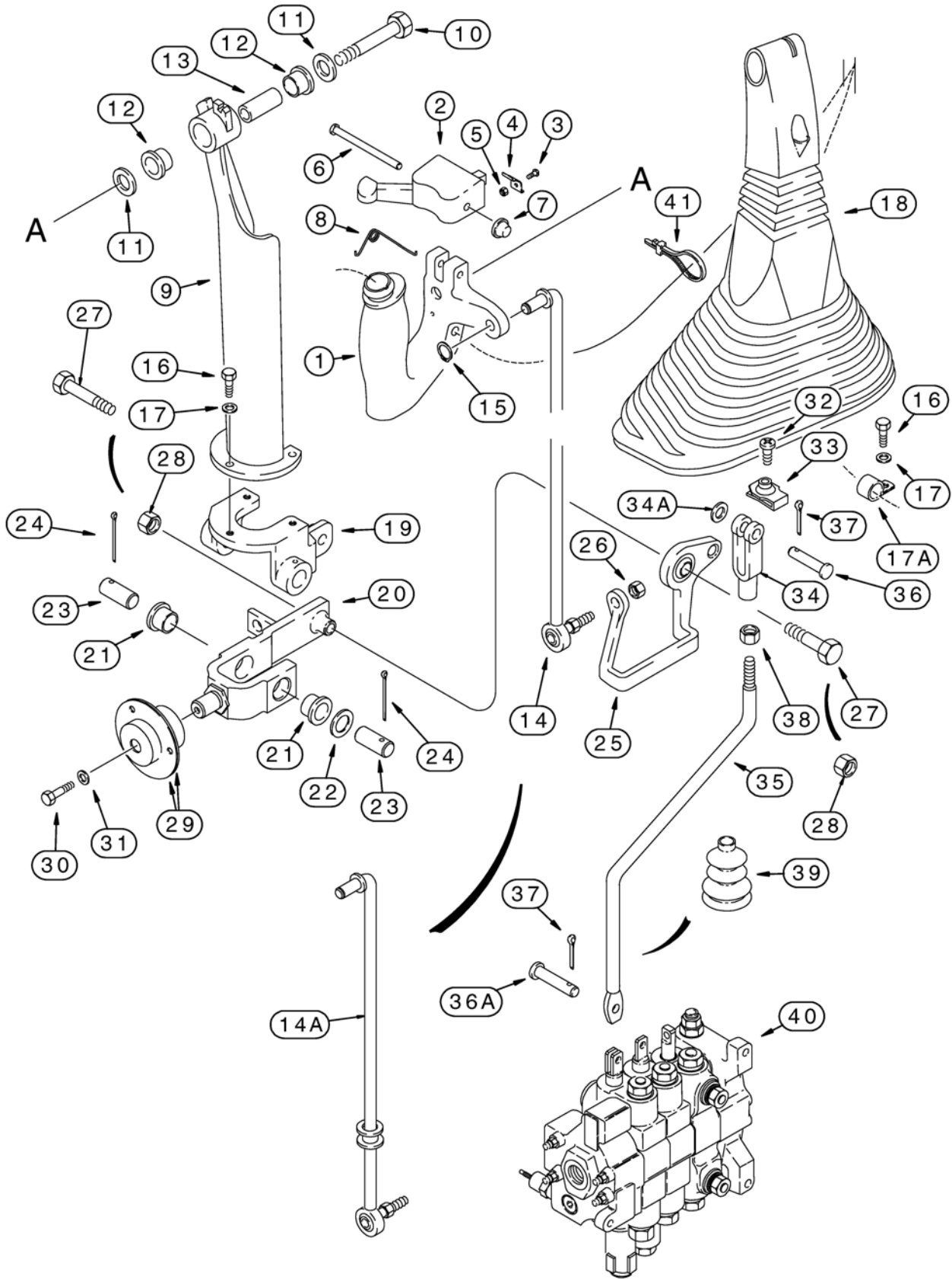


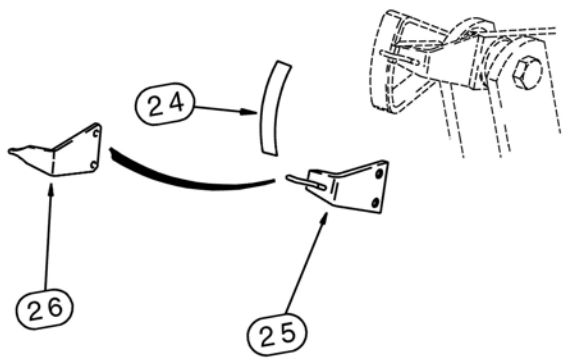
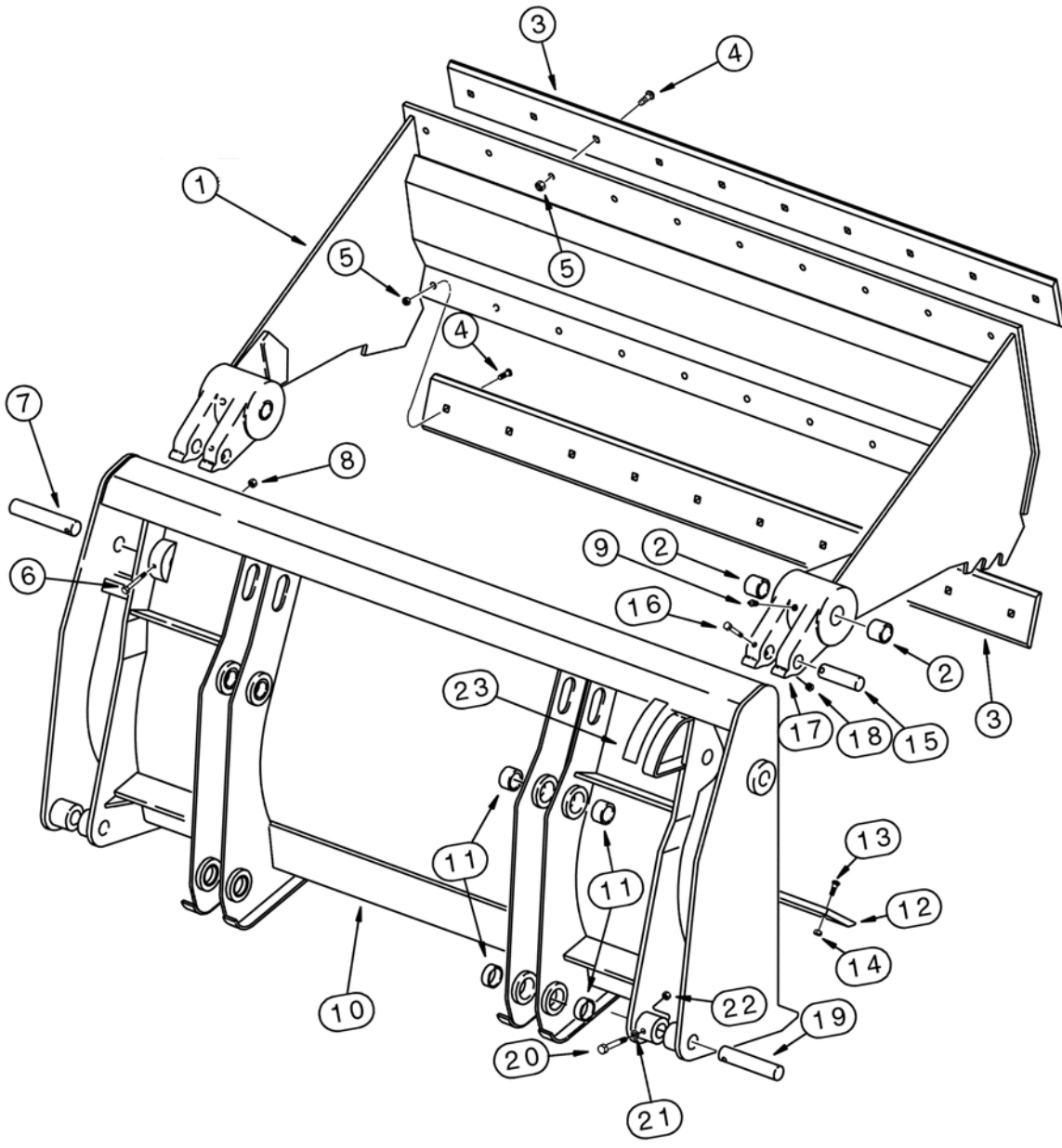


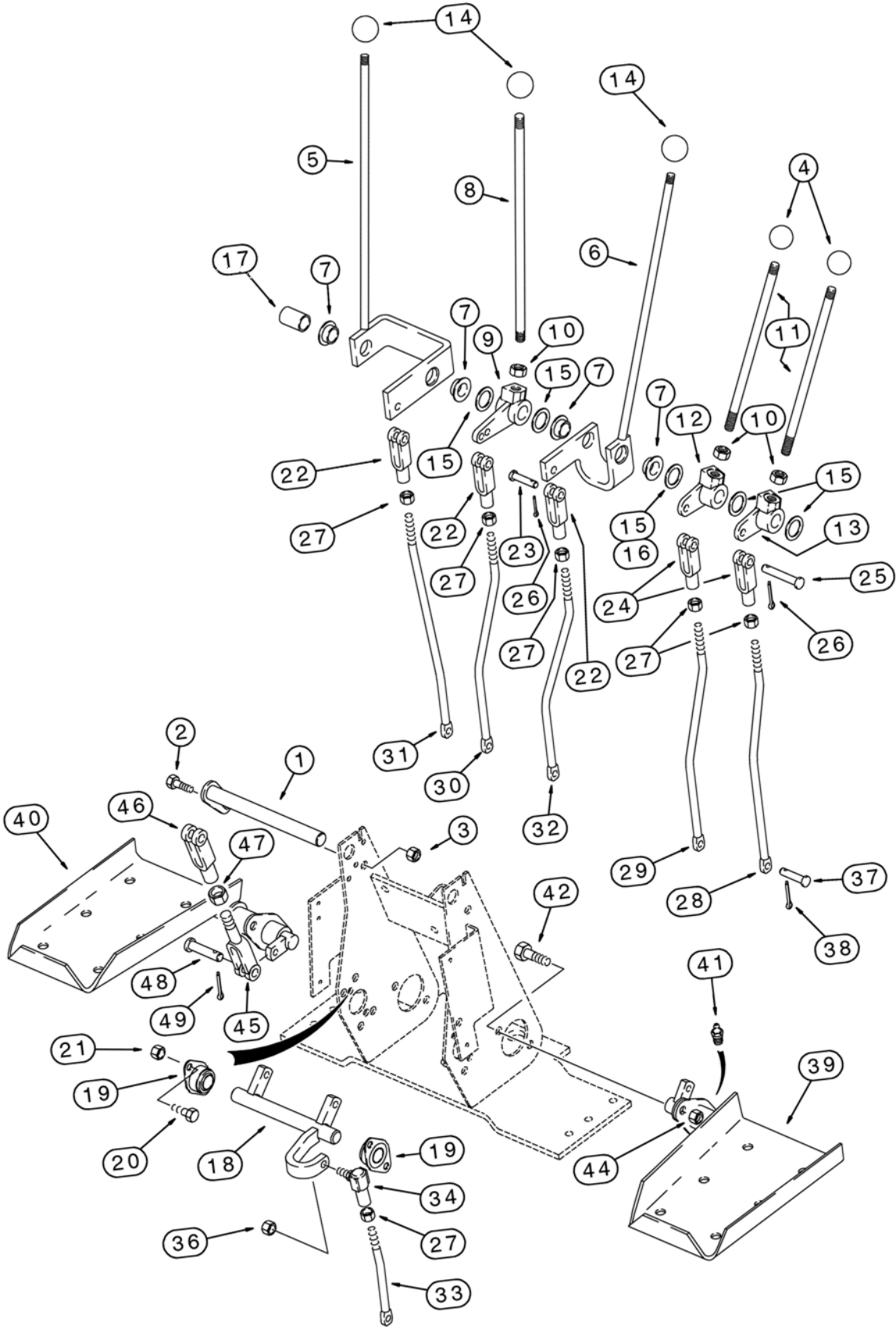


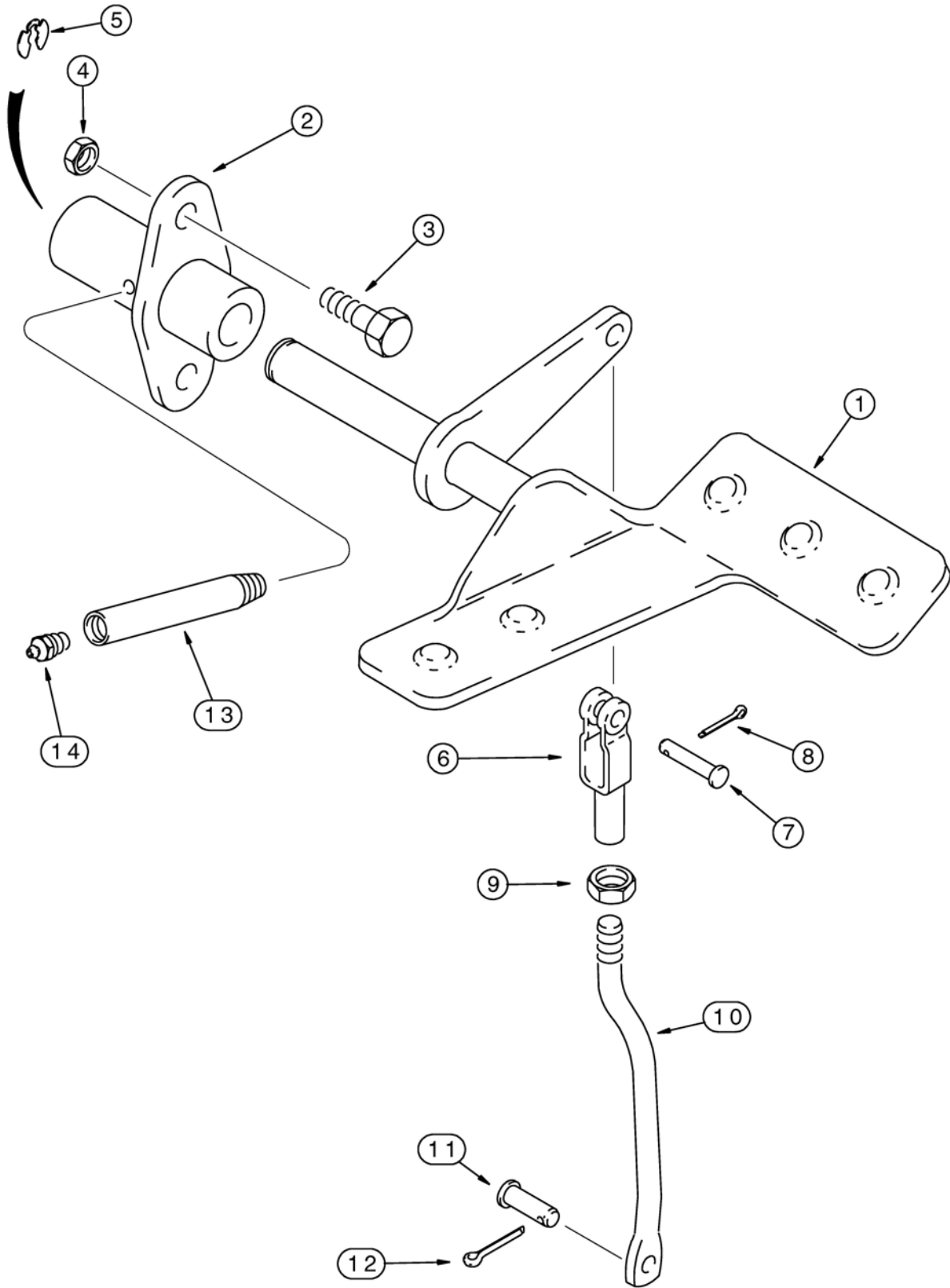


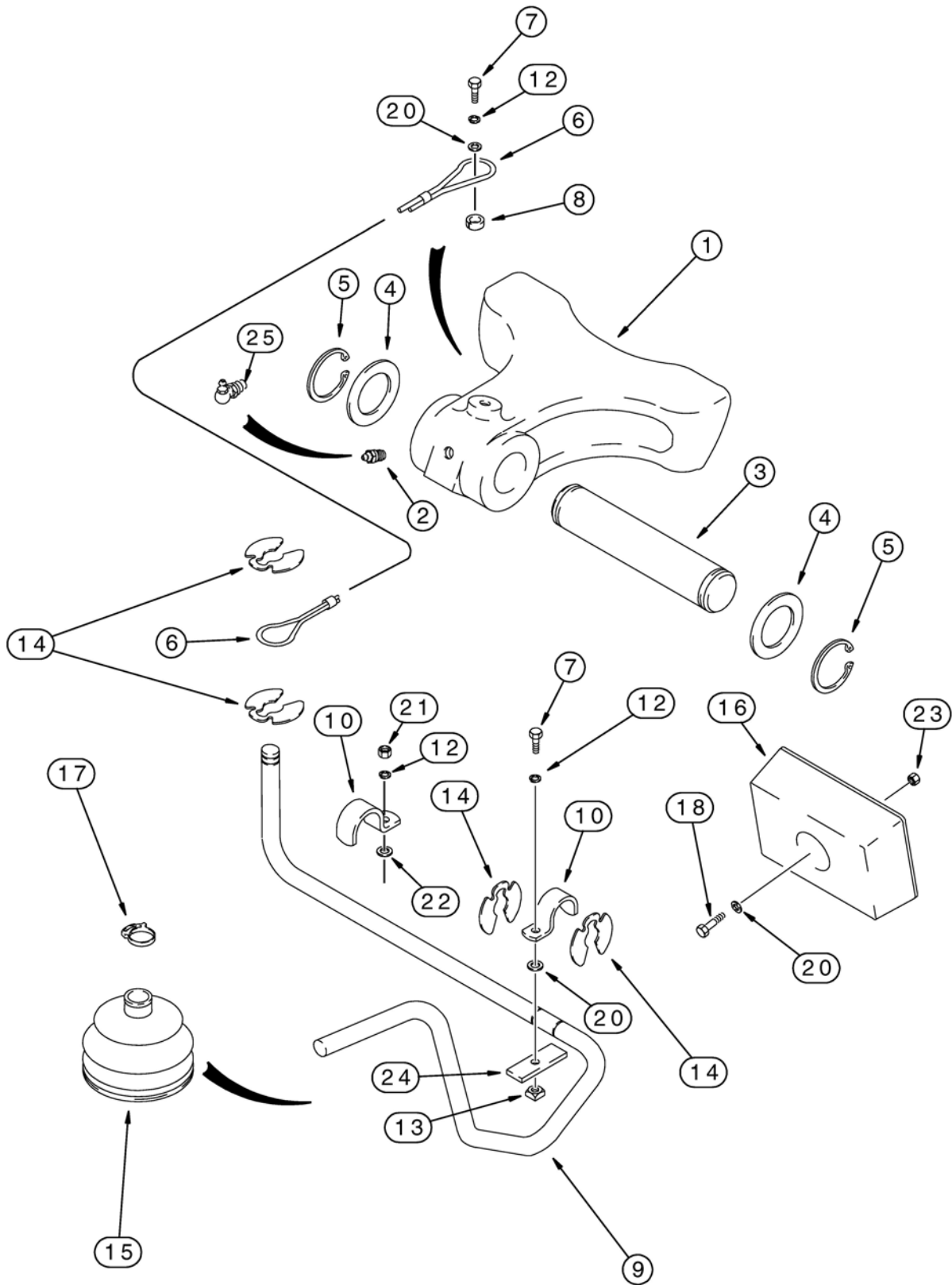


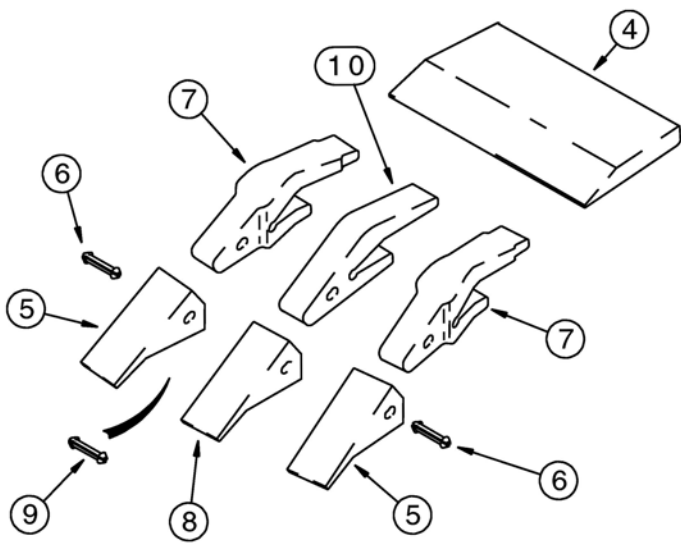
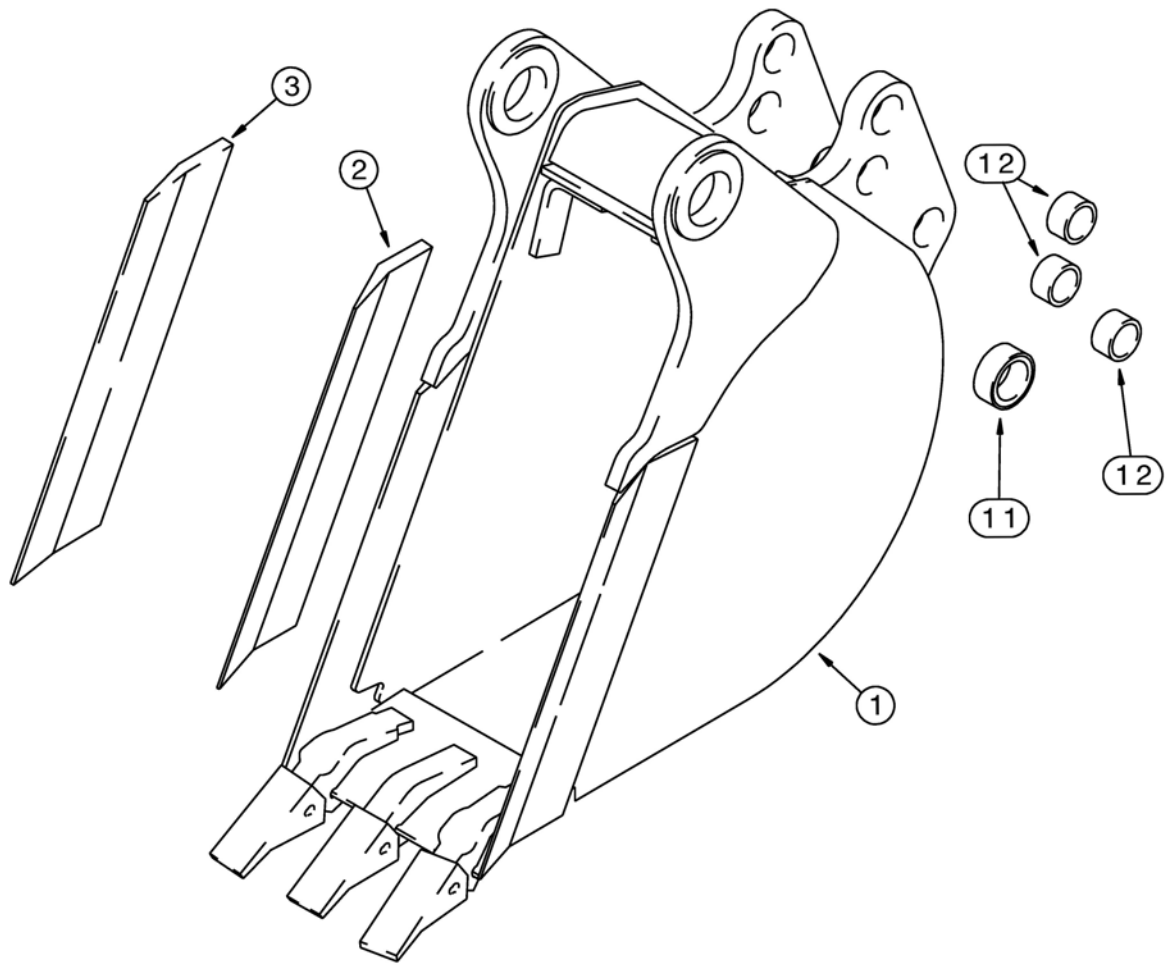


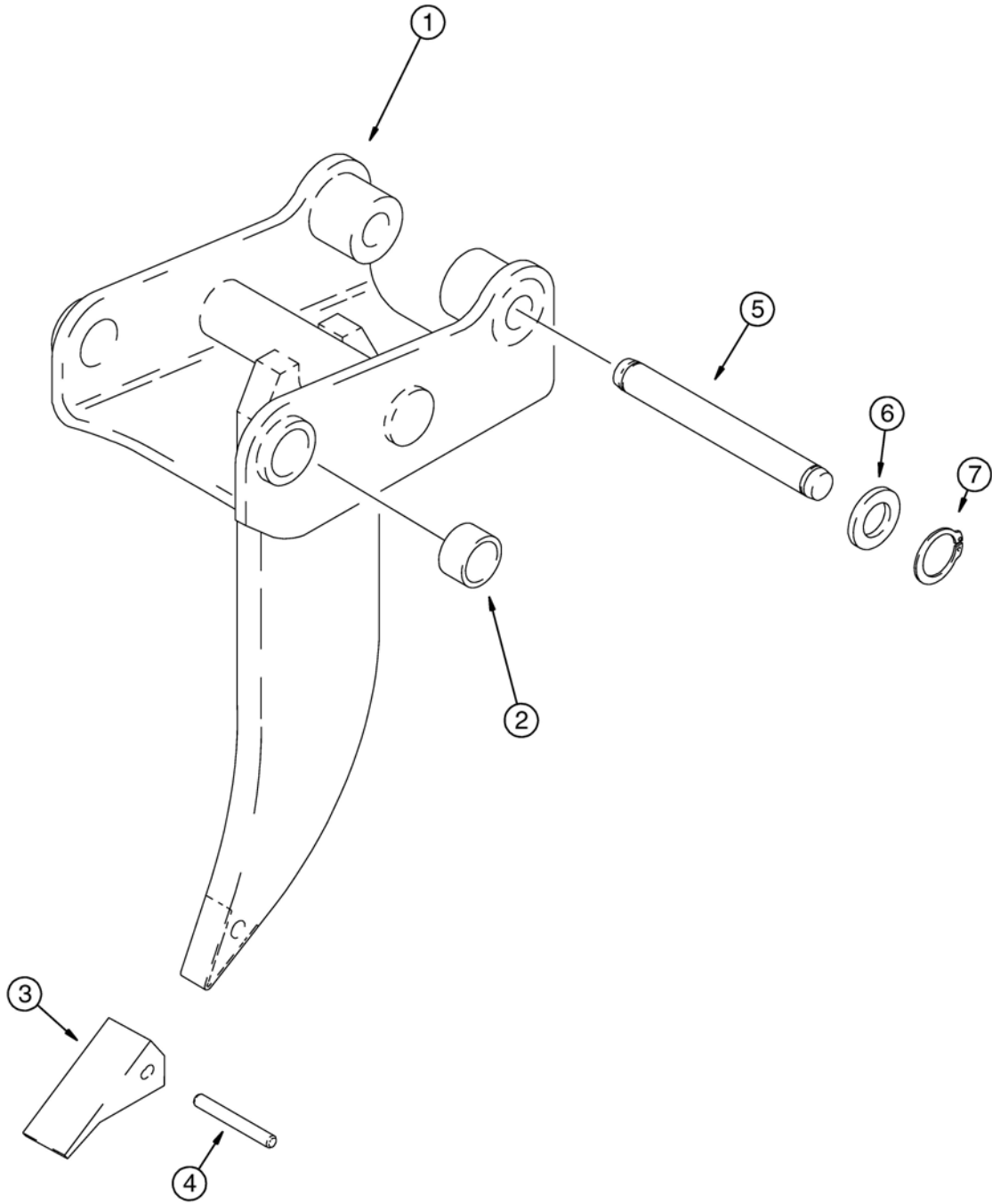


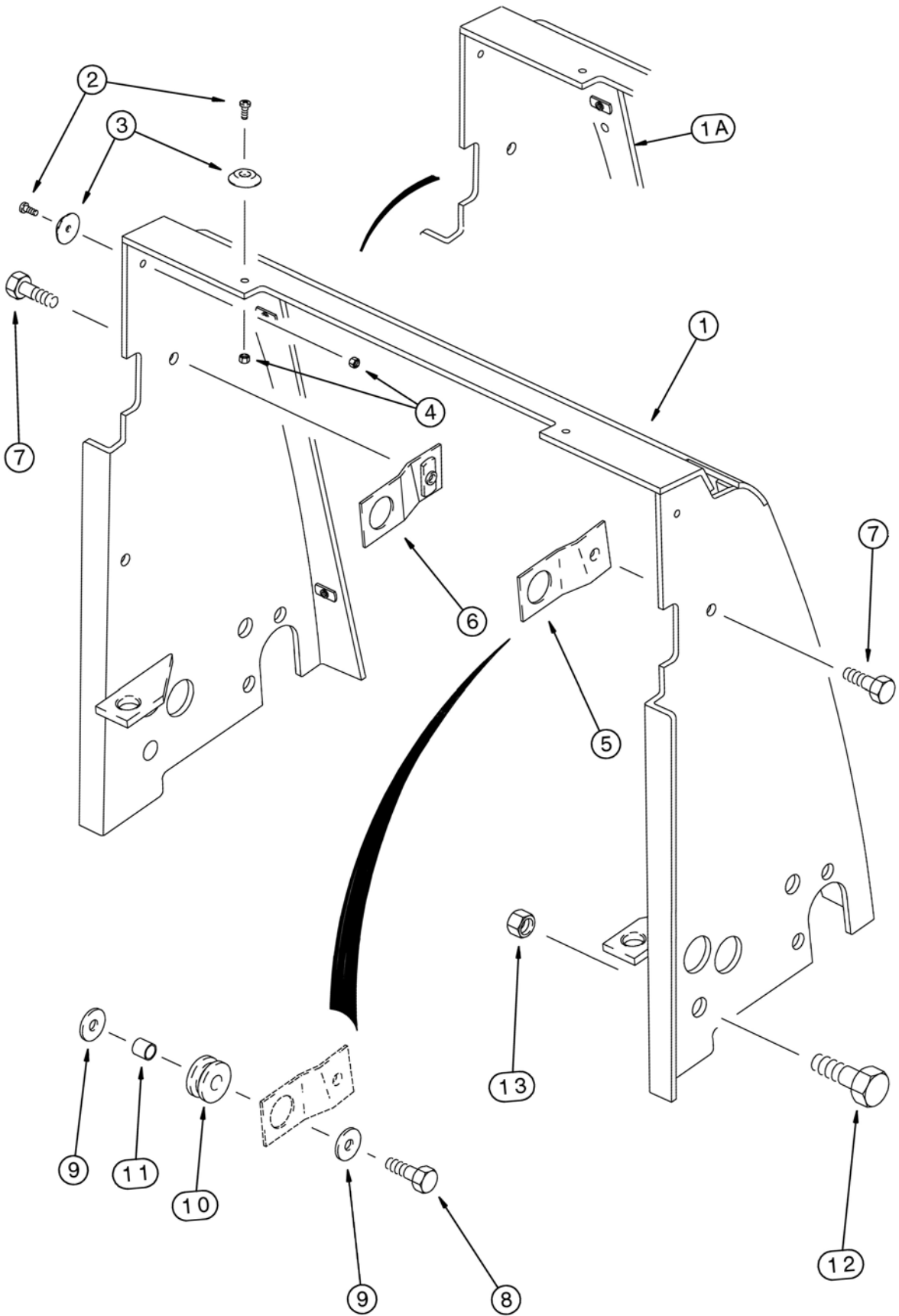


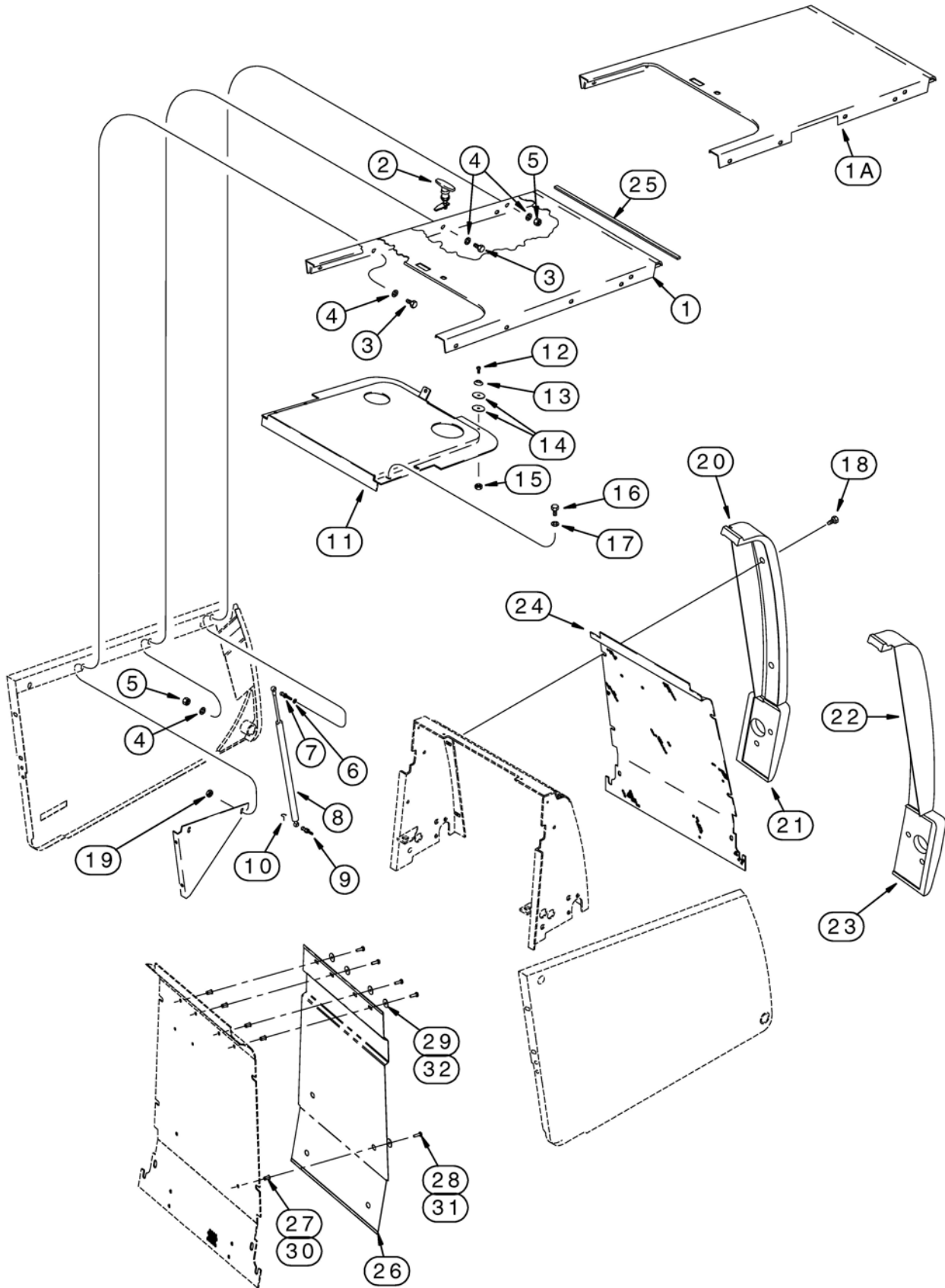


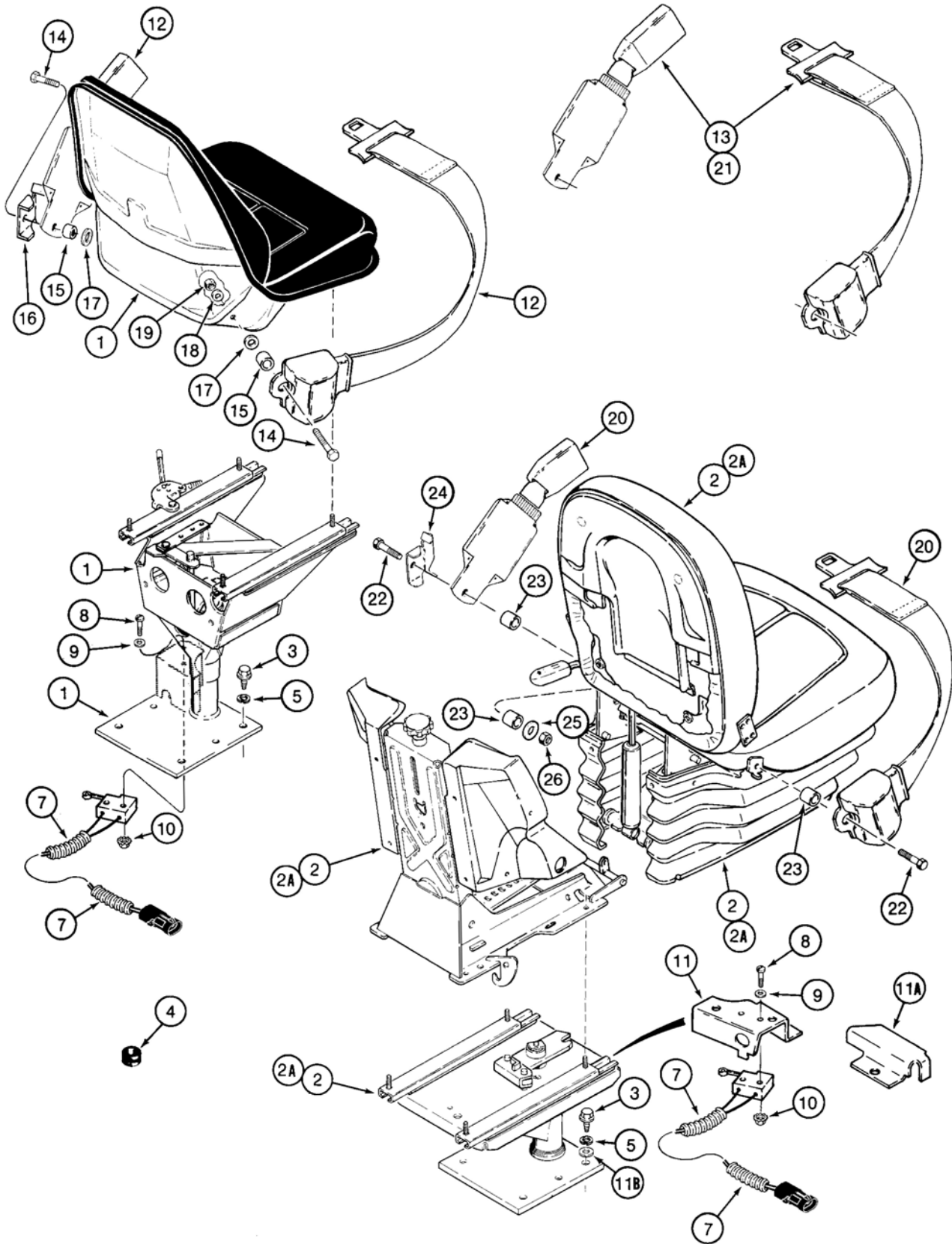


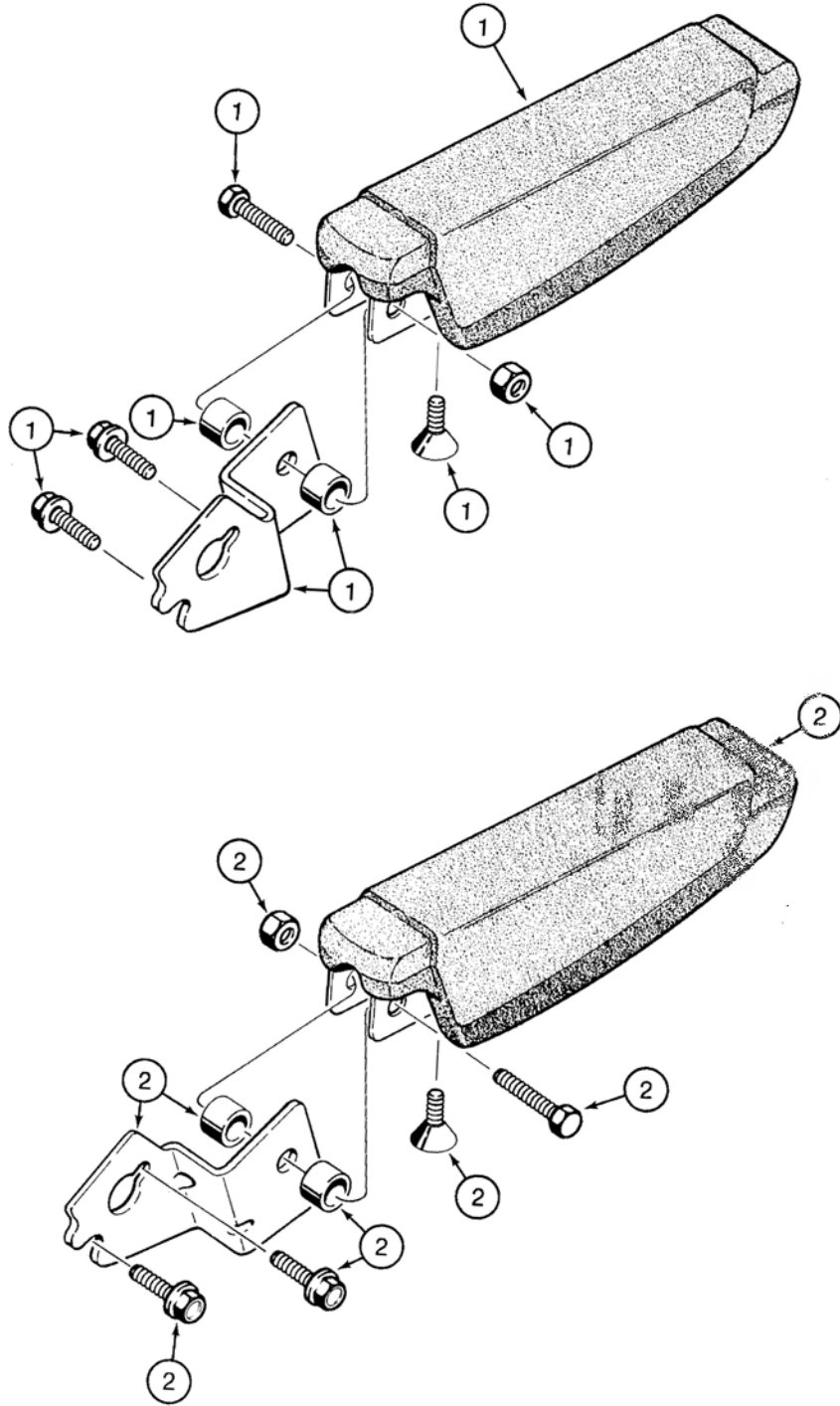


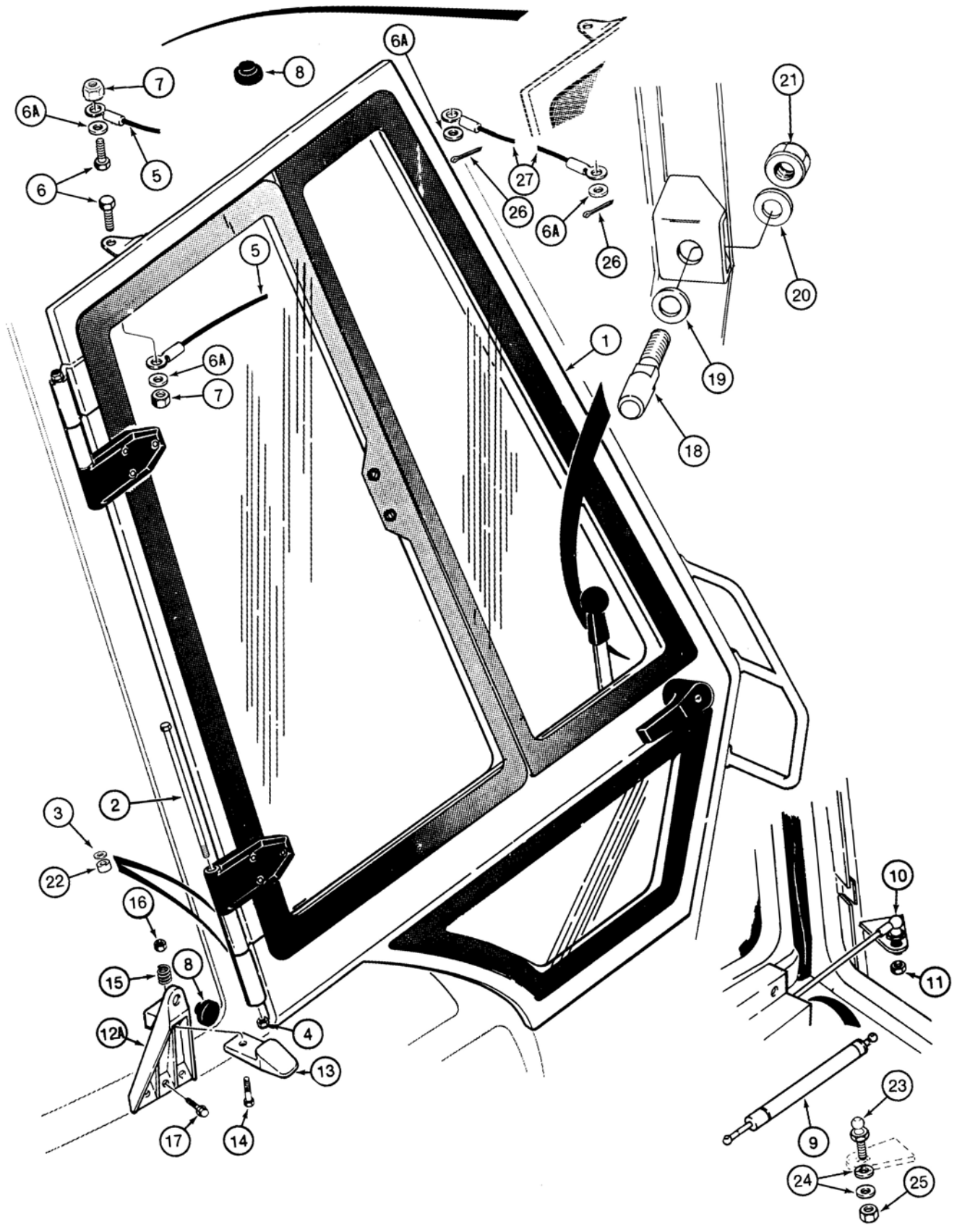


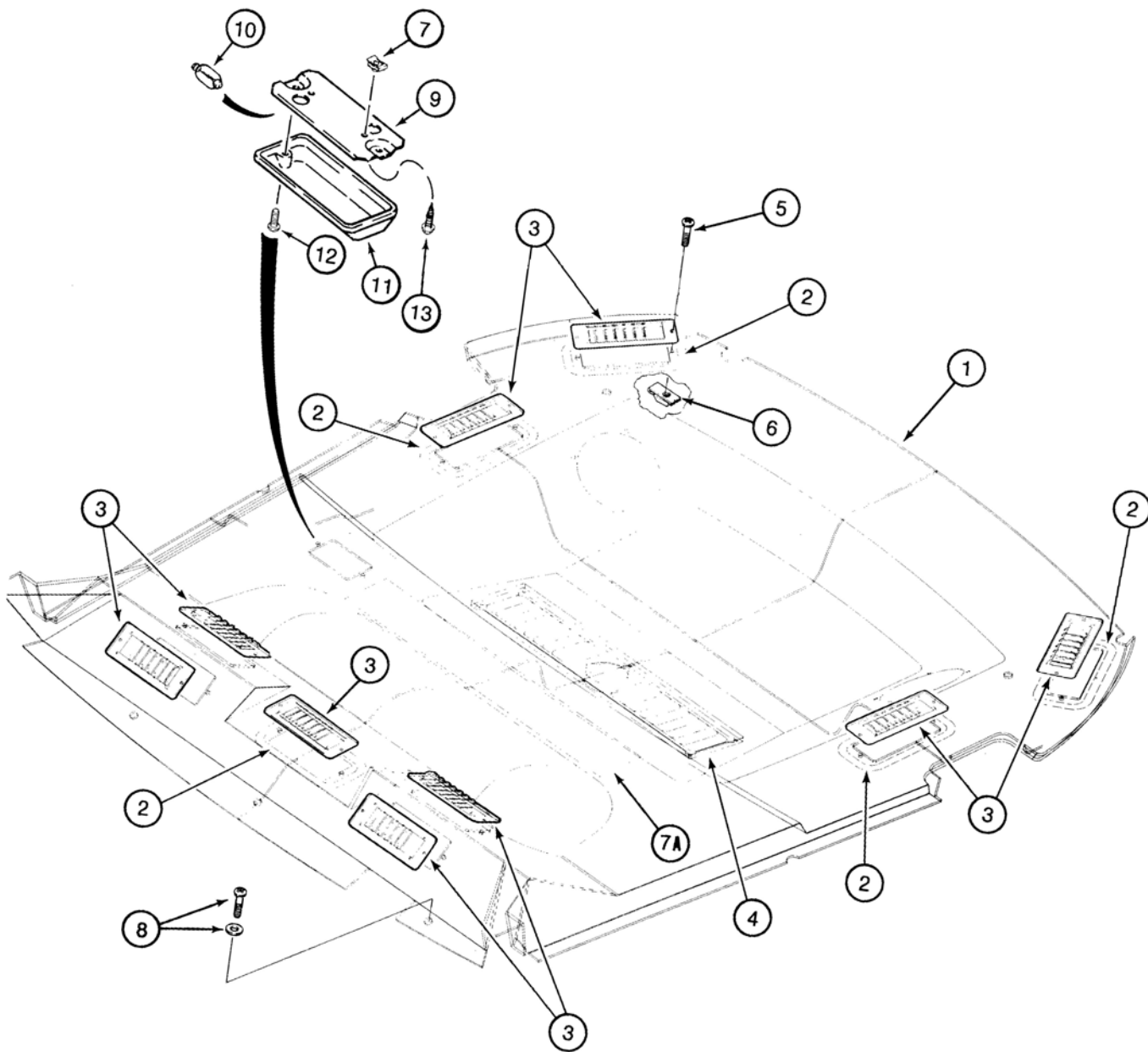


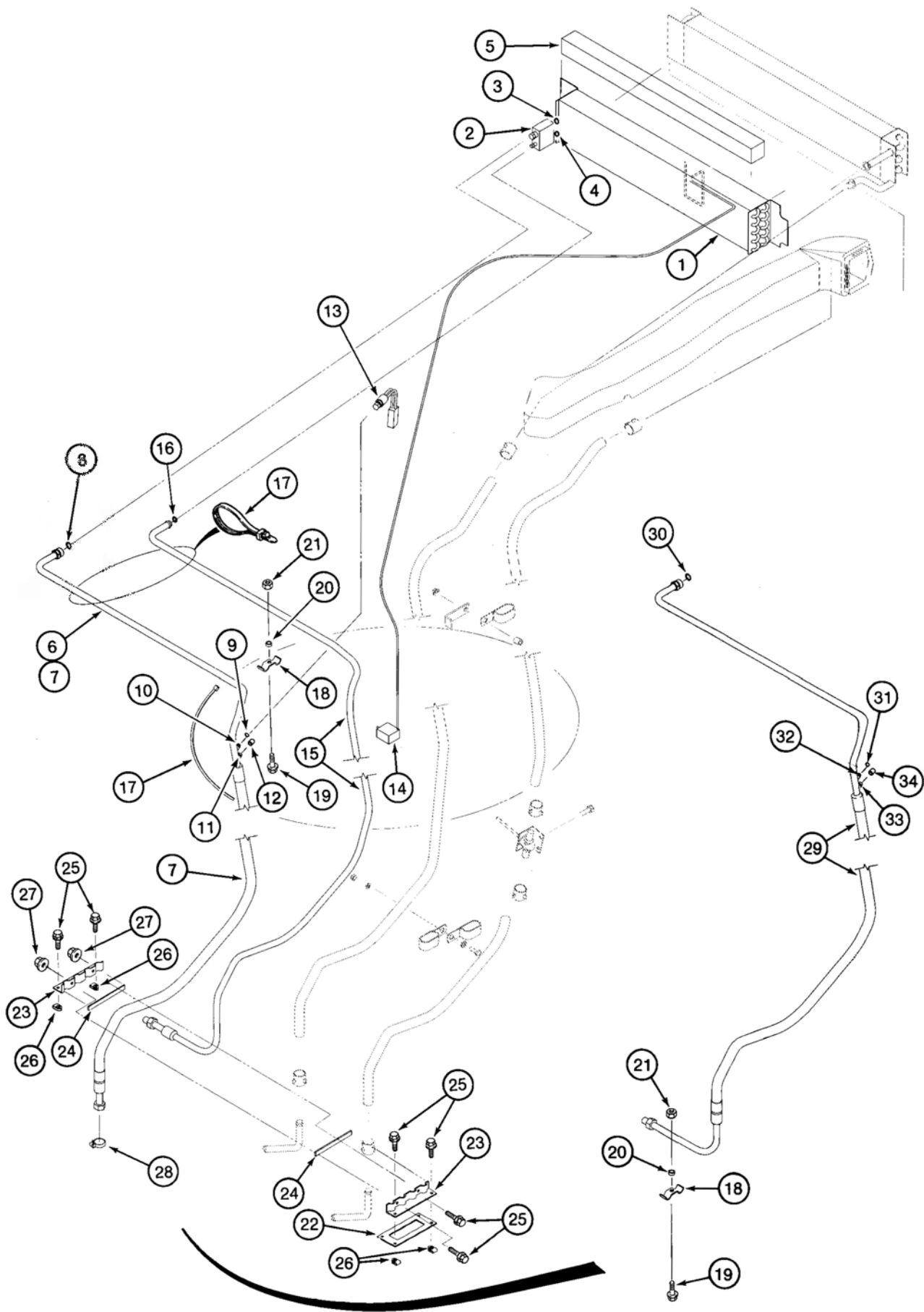


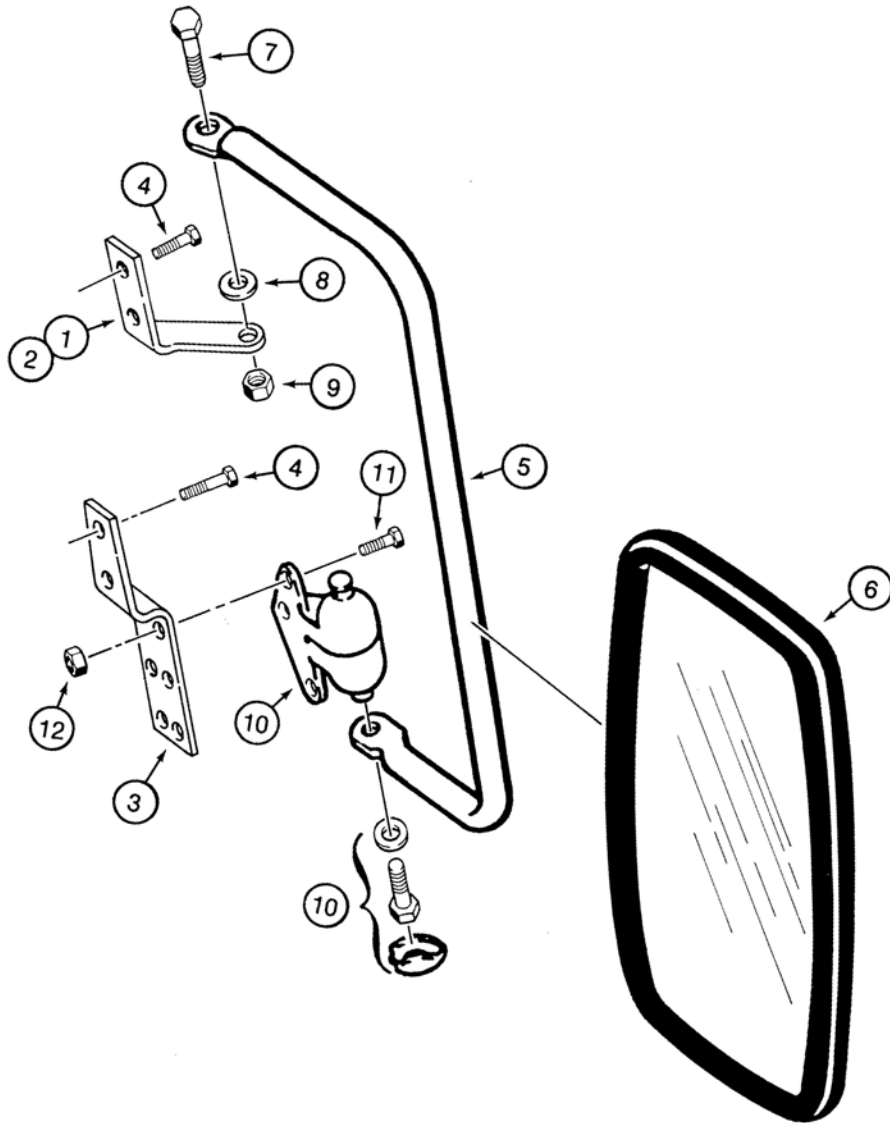














## NUMERICAL INDEX

PART NO.	PAGE	REF.	PART NO.	PAGE	REF.	PART NO.	PAGE	REF.
J932012	2-39B	1	L112081	9-115	19	L30889	5-11	4
J933145	2-27	3	L112087	9-113	11	L30893	5-11	21
J933220	2-39B		L112087	9-115	13	L31750	8-139	40
J933236	2-39B		L112088	9-113	10	L32318	8-83	2
J940059	2-35	2	L112088	9-115	12	L35368	5-11	19
J942914	2-27	12	L112089	9-113	12	L50062	9-123	4
J942914	2-49	11	L112089	9-115	17	L50062	9-123	12
JC524121	2-25		L112090	9-113	5	L50062	9-125	4
JC535381	2-25		L112090	9-113	13	L50062	9-125	12
JC901569	2-45		L112090	9-115	9	L54563	9-23	14
JC908031	2-41		L112090	9-115	18	L54563	9-27	1
JC917499	3-11		L113910	2-7	3	L59682	2-13	16
JC926202	2-29		L126767	2-3		L60224	4-31	23
JC929736	2-33		L126767	2-3B		L60224	9-107	8
JR802290	2-25		L129440	8-143	14	L60539X	2-13	
JR802295	2-25		L129440	9-143	20	L71879	4-11	21
JR908031	2-41		L15401	9-9	12	L71879	4-19	2
JR917526	3-11		L17985	9-123	22	L72776	2-13	
JR920387	2-37		L17985	9-125	22	L77821	9-87	4
JR925232	2-45		L18337	2-7	14	L79937	8-15	39
JR929736	2-33		L18337	2-13	17	N13505	6-7	11
JR930336	2-29		L18337	3-3	22	N13515	6-13	23
JR933236	2-39B		L18337	3-5	12	N13542	4-27	7
K260177	6-27	5	L18337	4-11	28	N13543	4-27	6
K260177	6-29	5	L18337	4-19	26	N13545	4-27	1
K260218	6-13	22	L18337	4-31	22	N13546	4-27	10
K261014	6-17	4	L18337	4-41	7	N14112	9-113	8
K261065	6-17	3	L18337	4-45	16	N14225	4-27	21
K262143	6-7	4	L18337	5-7	22	N14250	5-11	
K262143	6-17	9	L18337	5-7	32	N14283	4-37	10
K262143	6-57	12	L18337	6-21	10	N14284	4-33	4
K262251	6-13		L18337	6-21B	10	N14285	4-33	12
K395019	6-5	10	L18337	7-9	23	N14330	8-3	13
K395027	6-15	12	L18337	7-13	28	N14367	6-5	3
K395029	6-13	27	L18337	8-5	39	N14372	6-5	9
K395029	6-61	18	L18337	8-21	13	N14373	6-5	12
K395075	6-15	8	L18337	8-25	20	N14377	6-9	3
K395086	6-15	13	L18337	8-27	20	N14407	6-15	5
K395087	6-15	6	L18337	8-29	19	N14408	6-15	7
K395090	6-17	8	L18337	8-33	19	N14409	6-11	5
K395091	6-13	20	L18337	8-37	19	N14410	6-11	3
K395093	6-13	14	L18337	8-39	18	N14465	9-117	11
K395093	6-61	14	L18337	8-43	29	N14466	9-117	10
K395094	6-13	26	L18337	8-43B	18	N14763	5-11	10
K395094	6-61	19	L18337	8-57	57	N14784	7-11	
K395101	6-13	2	L18337	8-61	57	N6755	8-145	
K395101	6-61	2	L18337	8-65	36	N6807	4-27	9
K395103	6-5	11	L18337	8-67	67	N6836	4-37	3
K395110	6-13	18	L18337	8-69	7	N6941	8-145	
K395114	6-13	11	L18337	8-75	6	N7802	9-89	
K395122	6-13	16	L18337	8-77	17	N8356	9-113	9
K395123	6-13	3	L18337	9-7	41	N8358	9-113	7
K395131	6-13	8	L18337	9-121	21	N8359	9-113	2
K395131	6-61	8	L18337	9-123	25	N8360	9-113	6
K691987	2-3	24	L18337	9-125	25	N8361	9-113	4
K691987	2-3B	24	L18337	9-127	17	N8361	9-115	8
K691987	9-71	9	L18337	9-129	13	N8362	9-113	3
L100659	8-75	5	L18337	9-131	5	N8362	9-115	5
L101998	8-75	9	L26209	7-7	7	N8362	9-115	7
L105735	8-75	8	L30338	2-9	9	P2434552	7-5	16
L111356	9-143	14A	L30878	5-11	16	P2434552	7-5B	16
L11182	7-13	19	L30881	5-9	5	P2745466	6-41	21
L112081	9-113	14	L30888	5-11	6	P2745478	6-57	5

## NUMERICAL INDEX

PART NO.	PAGE	REF.	PART NO.	PAGE	REF.	PART NO.	PAGE	REF.
190447A1	7-3B	15	192050A1	9-35	28	194548A1	9-19	7
190448A1	7-5	12	192111A1	9-35	5	194758A1	9-73B	2
190448A1	7-5	23	192122A1	8-17	4	194758A1	9-73B	8
190448A1	7-5B	12	192124A1	8-17	5	194758A1	9-73B	15
190449A1	7-3	7	192130A1	8-11	6	194758A1	9-73D	2
190449A1	7-3B	7	192132A1	8-11	5	194758A1	9-73D	12
190450A1	7-3	9	192134A1	8-11	4	194758A1	9-77	25
190450A1	7-3B	9	192152A1	8-13	27	194914A1	8-37	10A
190451A1	7-5	1	192154A1	8-13	31	194915A1	8-27	11
190451A1	7-5	17	192156A1	8-13	30	194916A1	8-29	10A
190451A1	7-5B	1	192196A1	4-11	22A	194916A1	8-33	10A
190463A1	7-5	2	192274A2	9-83	8D	194917A1	8-25	11A
190463A1	7-5B	2	192286A1	8-11	7	195-140	9-21	8
190465A1	7-5	13	192299A1	8-47	39	195-2015	4-5	37
190466A1	7-5	13	192299A1	8-57	39	195-81023	9-105	9
190468A1	6-55	16	192299A1	8-61	39	195030A2	9-31B	1
190469A1	6-55	6	192299A1	9-141	14	195032A1	9-31B	2
190471A1	6-55	4	192300A1	8-71	25	195060A1	8-25	11
190473A1	7-5	8	192300A1	9-141	15	195061A1	8-29	10
190473A1	7-5B	8	192345A1	8-19	4	195061A1	8-33	10
190476A1	7-5	4	192352A1	8-19	3	195062A1	8-37	10
190476A1	7-5	18	192450A1	9-141	13	195063A1	8-27	11A
190476A2	7-5B	4	192481A1	6-53	21	195115A1	8-27	22
190477A1	7-5	4	192483A1	2-11	3	195207A1	6-5	1
190477A1	7-5	18	192559A1	9-67	4	195208A1	6-7	1
190477A2	7-5B	4	192693A1	8-39	16	195209A1	6-7	2
190488A1	7-5	3	192693A1	8-43	26	195210A1	6-17	
190496A1	7-3	8	192693A1	8-47	32	195211A1	6-11	
190496A1	7-3B	8	192693A1	8-59	23	195212A1	6-11	1
190498A1	7-3	21	192704A1	2-11	1	195213A1	6-11	2
190499A1	7-3	11	192802A1	6-31	6	195215A1	6-11	4
190500A1	7-3	20	192803A1	6-31	3A	1954475C1	9-127	
190500A1	7-3B	20	192815A1	9-11	28	1954736C1	9-123	3
190506A1	6-57	7	192895A1	8-143	2	1954736C1	9-125	3
190508A1	6-57	7	192909A1	3-7	3	195551A1	4-45	18
190509A1	6-57	7	192911A1	7-3	22	195615A1	9-3	6
190510A1	6-57	7	192911A1	7-3B	22	195615A1	9-5	19
190511A1	6-57	7	193-1000	4-11	3	195679A1	8-63	6
190512A1	6-57	7	193-1000	4-11	18	195680A1	8-63	7
190513A1	6-57	7	193-1000	4-19	5	195681A1	8-63	8
190514A1	6-57	7	193-1000	4-19	15	195682A1	8-63	9
190515A1	6-57	7	193-1003	9-11	17	195683A1	8-63	10
190516A1	6-57	7	193-1003	9-87	10	1957855C3	8-139	44
190599A1	9-127	29	193261A1	8-65	35	1957856C1	8-139	43
190618A1	6-23	7	193261A1	8-69	19	1957887C1	8-139	45
190675A1	9-125	17	193262A1	8-65	33	1958028C1	8-159	19
190721A1	9-19	15	193262A1	8-69	21	1958970C1	9-105	16
191046A1	3-3B	30	193491A1	7-3	23	1959509C1	5-3	4
191047A1	9-69	27	193493A1	7-3	24	195975A1	9-75	1A
191067A1	6-55	15	193707A1	9-115	23	195975A2	9-75	1B
191068A1	9-79	13	193854A1	9-9	3	195976A1	9-75	2A
191075A1	8-69	11	193867A1	2-7	1	195976A2	9-75	2B
191076A1	8-73	2	193867A1	2-9		196055A1	6-53	3
191188A1	8-69	8	193913A1	9-129	12	196056A1	6-53	4
191215A1	8-69	1	194151A1	9-73B	1	196057A1	6-53	6
191532A1	8-47	38	194256A1	9-139	5	196059A1	6-53	7
191532A1	8-57	38	194257A1	9-139	4	196060A1	6-53	8
191532A1	8-61	38	194258A1	4-41	6	196061A1	6-53	11
191703A1	9-129	26	194293A1	8-63	17	196062A1	6-53	12
191704A1	9-129B	27	194355A1	2-37		196064A1	6-53	16
191758A1	8-21	31	194355A3	2-39B		196065A1	6-53	19
191796A1	5-15	6	194513A1	9-133	20	196066A1	6-53	20
192025A1	8-77	9	194520A1	9-65	1	196068A1	6-57	

## NUMERICAL INDEX

PART NO.	PAGE	REF.	PART NO.	PAGE	REF.	PART NO.	PAGE	REF.
627-20030	9-69	2A	814-10040	8-13	20	814-12110	9-75	16
627-20040	3-3	2	814-10040	8-15	36	814-14140	6-53	9
627-20040	9-69	2	814-10040	8-17	6	814-16110	6-23	31
637-62081	2-39B	16A	814-10040	8-19	8	814-20080	9-73	2
637-62081	4-11	30B	814-10040	8-43	33	814-6035	7-3	10
637-72081	4-11		814-10040	8-63	19	814-6035	7-3B	10
65457C1	8-91	4	814-10040	9-3	29	814-6060	8-45	17
65457C1	8-93	4	814-10045	3-3B	36	814-6060	8-55	17
65457C1	8-97	4	814-10045	8-35	41	814-6060	8-59	17
65457C1	8-113	4	814-10045	8-73	18	814-8035	4-13	15
65457C1	8-115	4	814-10045	9-69	30	814-8035	4-31	8
65457C1	8-117	4	814-10050	2-3	23	814-8035	9-81	20
65457C1	8-119	4	814-10050	2-3B	23	814-8035	9-85	8
65457C1	8-123	4	814-10050	8-5	33	814-8040	7-7	15
65457C1	8-127	4	814-10050	8-7	20A	814-8045	9-103	15B
65457C1	8-131	4	814-10050	8-37	14	814-8050	3-7	8
65457C1	8-133	4	814-10050	8-59	33	814-8060	6-31	16
65881H	4-33	15	814-10050	8-63	21	814-8060	6-31B	16
697494R91	5-11	30	814-10055	8-31	38	814-8060	6-45	7
70-12532	4-33	5	814-10055	8-35	49	814-8070	6-59	20
70-12532	4-33	10	814-10055	9-43	18	814-8070	8-63	11
711-10030	8-81	30	814-10060	7-13	30	814-8075	2-33	29
71121	8-137	2	814-10060	8-21	22	814-8080	6-43	34
71121	8-139	2	814-10060	8-35	58	814-8110	4-41	5
712998R91	6-7	7	814-10060	9-19	8	824-1405	4-11	10
733-2012	8-67	57	814-10070	2-3	28	825-11418	5-19	8
733-2012	8-73	12	814-10070	2-3B	28	825-11418	6-3	2
781-24820	4-17	3	814-10070	8-45	5	825-11418	6-13	24
781-24820	9-133	14	814-10070	8-55	5	825-1410	4-5	43
781-24830	8-79	8	814-10070	8-59	5	825-2406	4-21	4
781-24830	9-81	4	814-10080	8-7	20	825-2406	9-127	27
800-1114	6-59	3	814-10080	9-17	20	825-2408	4-21	7
800-1129	6-13	12	814-10090	9-17	16	825-2408	8-63	13
800-1134	6-13	17	814-10100	4-9	5	825-2408	9-123	8
800-1155	9-49	13	814-10140	8-79	4	825-2408	9-125	8
800-2136	6-61	24	814-10150	6-27	9	825-2408	9-125	30
800-40065	9-37	27	814-10245	4-13	6	825-2408	9-127	21
800-40065	9-37	31	814-10245	4-15	7	825-2408	9-133	10
800-40065	9-39	25	814-12045	3-5	3	825-2410	9-75	6A
800-40065	9-41	33	814-12045	8-7	18	825-2410	9-75	27
800-40070	9-37	23	814-12045	8-21	2	825-2410	9-77	19
800-40080	9-41	28	814-12045	8-23	2	827-10040	9-17B	3
800-4155	9-45	5	814-12045	8-25	2	827-10040	9-131	16
800-44040	9-11	26	814-12045	8-27	2	827-10075	6-15	3
800-44040	9-11	31	814-12045	8-29	2	827-10130	9-131	8
800-44040	9-13	4	814-12045	8-33	2	827-12045	6-3	14
800-44040	9-13	22	814-12045	8-37	2	827-16110	9-67	10
800-44040	9-43	5	814-12050	8-45	3	827-16110	9-67	18
800-44040	9-49	20	814-12050	8-55	3	827-20075	9-37	13
800-44050	5-15	4	814-12050	8-59	3	827-20170	9-65	2
800-44050	5-15	13	814-12060	8-29	27	827-20170	9-65	6
800-44050	6-3	7	814-12060	8-33	27	827-20190	9-13	16
800-44050	9-11	8	814-12070	8-25	37	827-20230	6-49	4
800-5120	6-59	6	814-12080	8-27	31	827-8050	7-13	10
806-10025	2-7	11	814-12080	8-29	23	827-8060	7-13	10A
806-8016	2-3	6	814-12080	8-33	23	828-12055	6-23	9
806-8016	2-3B	6	814-12085	2-15	5	828-20160	9-15	6
806-8050	2-3	10	814-12085	8-63	28A	829-1312	8-135	11
806-8050	2-3B	10	814-12100	8-25	18	829-1406	8-45	19
814-10040	3-3B	38	814-12100	8-27	18	829-1406	8-55	19
814-10040	4-9	2	814-12100	8-29	17	829-1406	8-59	19
814-10040	8-11	9	814-12100	8-33	17	829-1406	8-67	48
814-10040	8-13	7	814-12110	2-15	2	829-1406	9-3	32

CLICK HERE TO **DOWNLOAD** THE COMPLETE MANUAL

- Thank you very much for reading the preview of the manual.
- You can download the complete manual from: [www.heydownloads.com](http://www.heydownloads.com) by clicking the link below



- Please note: If there is no response to CLICKING the link, please download this PDF first and then click on it.

CLICK HERE TO **DOWNLOAD** THE COMPLETE MANUAL