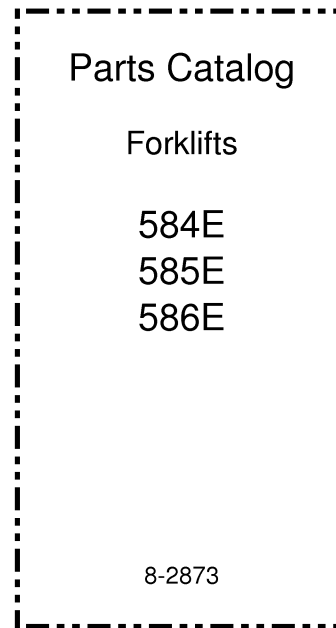


1. Trim along the dotted line
2. Slide into the pocket on the Binder spine



1. Trim along the dotted line
2. Slide into the pocket on the Binder spine

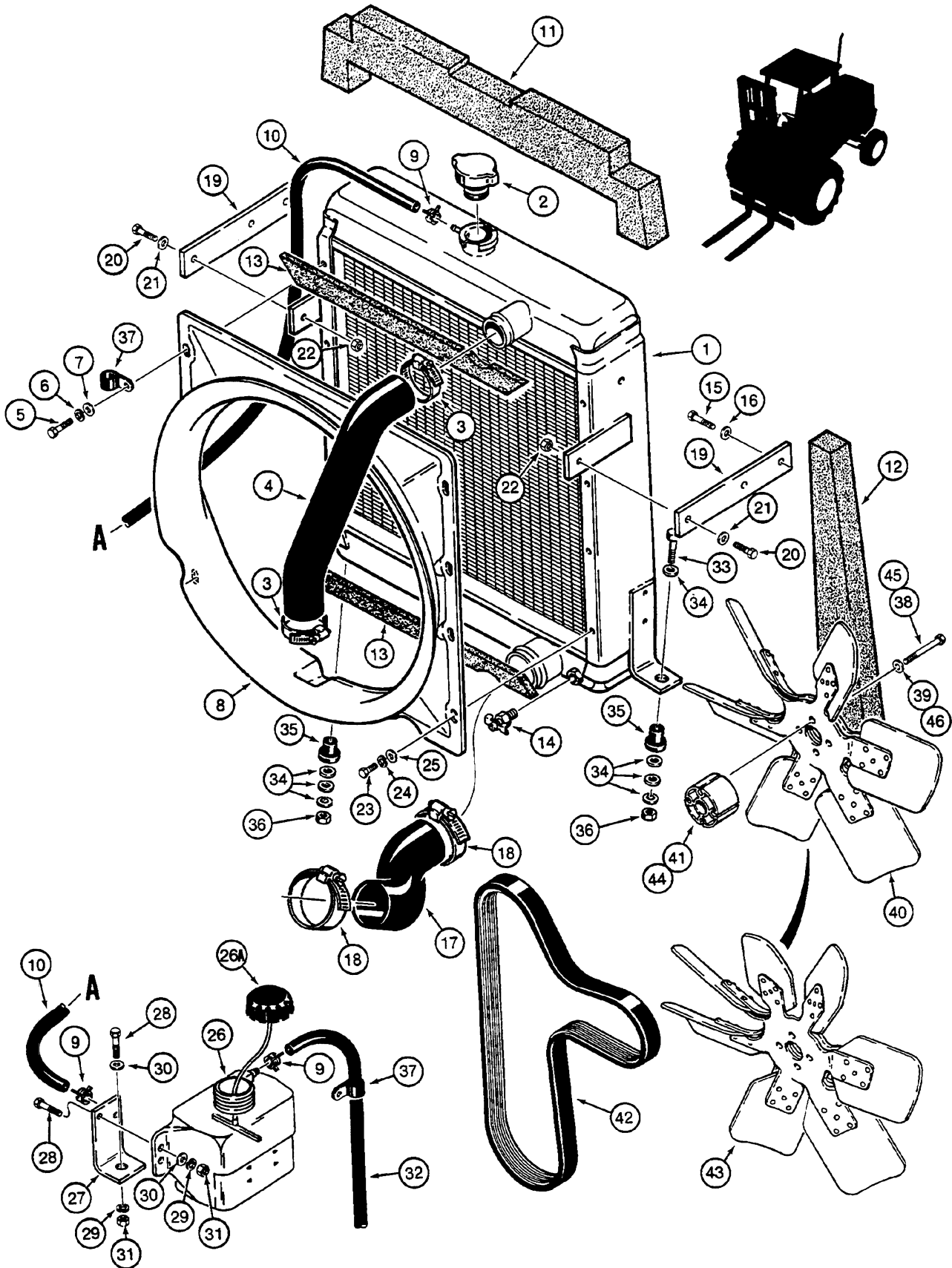
CLICK HERE TO **DOWNLOAD** THE COMPLETE MANUAL

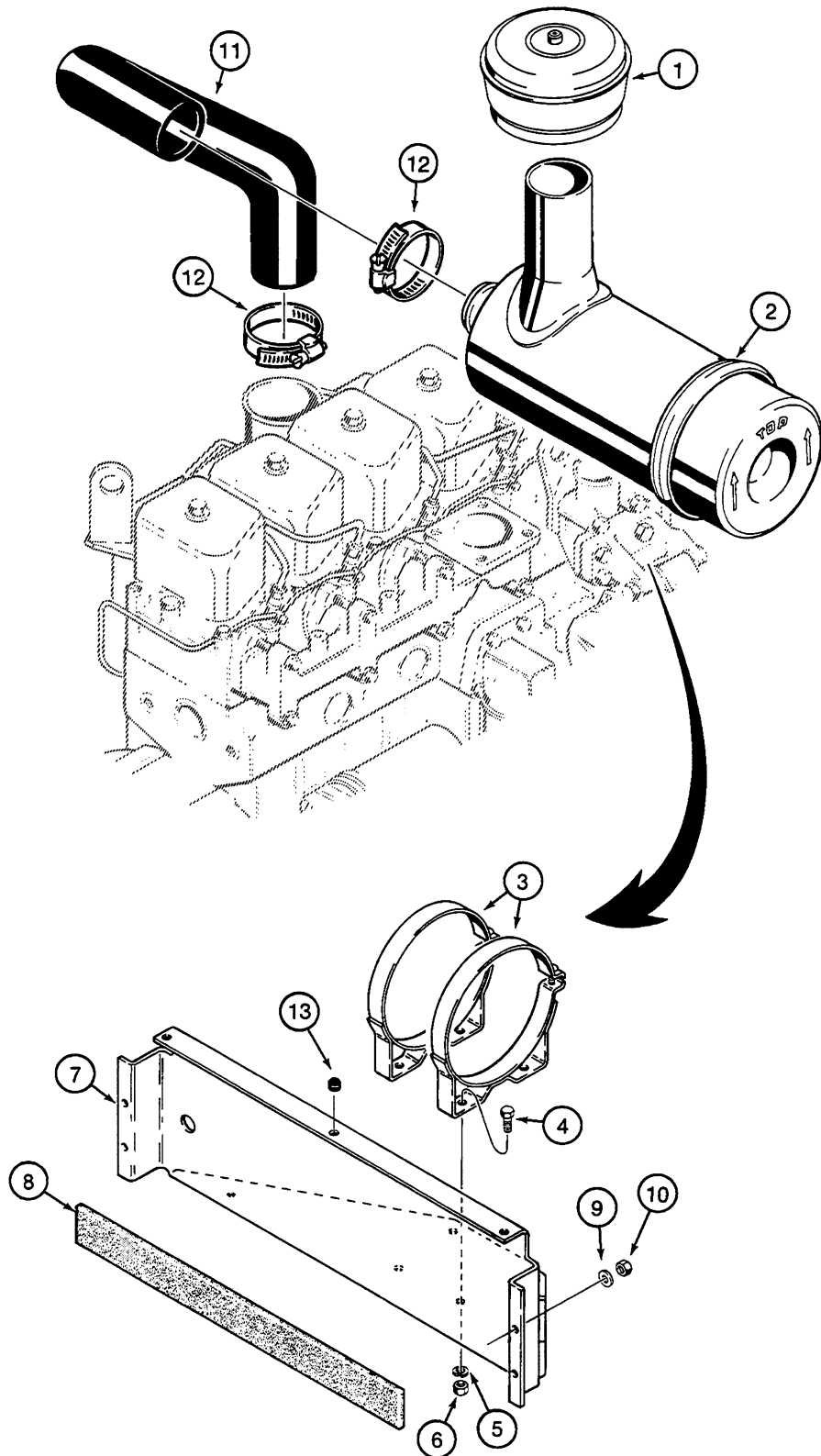
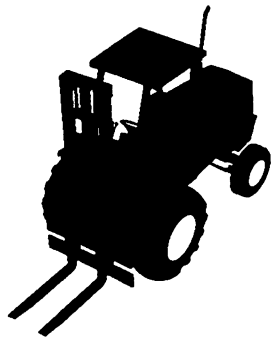
- Thank you very much for reading the preview of the manual.
- You can download the complete manual from: [www.heydownloads.com](http://www.heydownloads.com) by clicking the link below



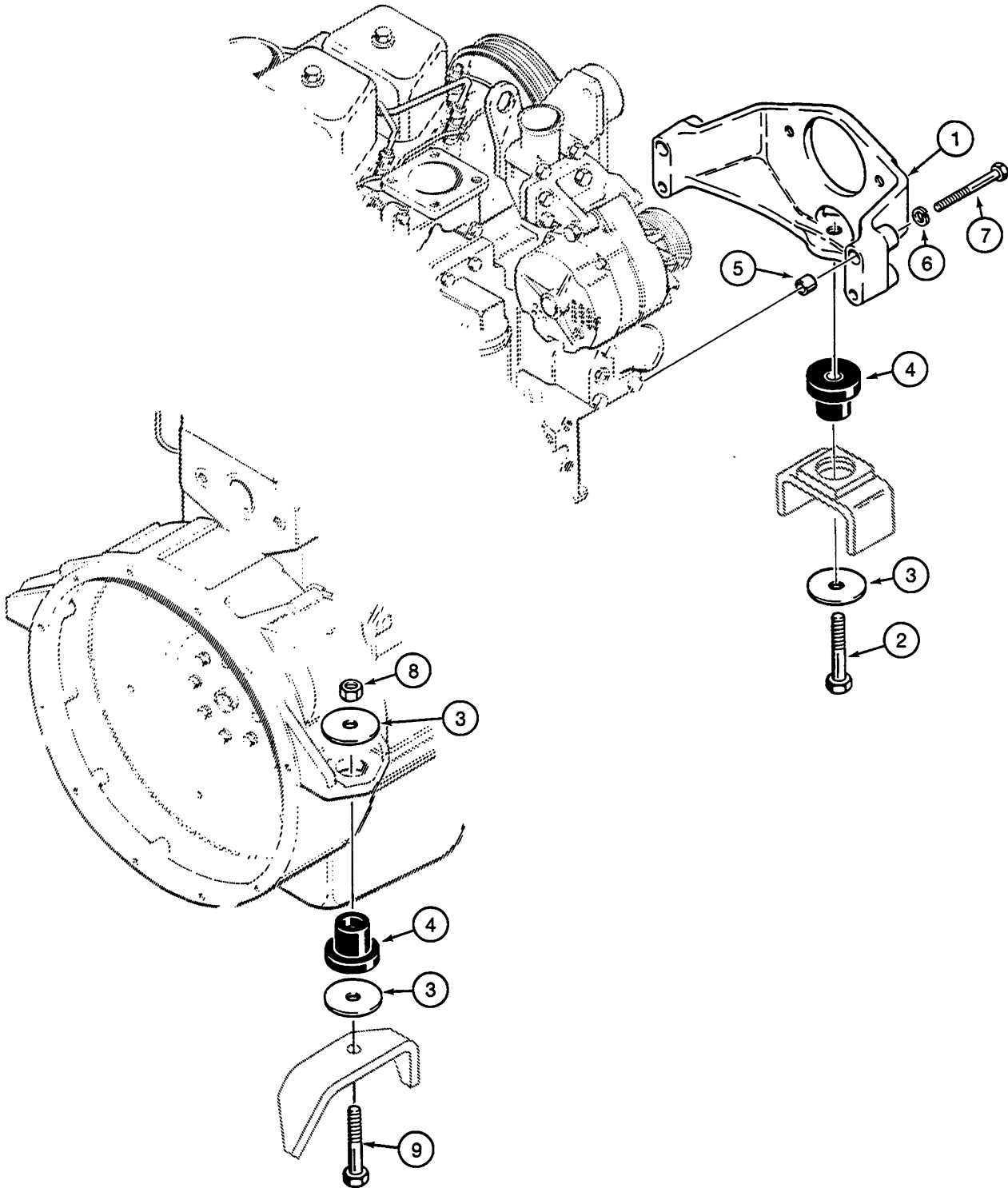
- Please note: If there is no response to CLICKING the link, please download this PDF first and then click on it.

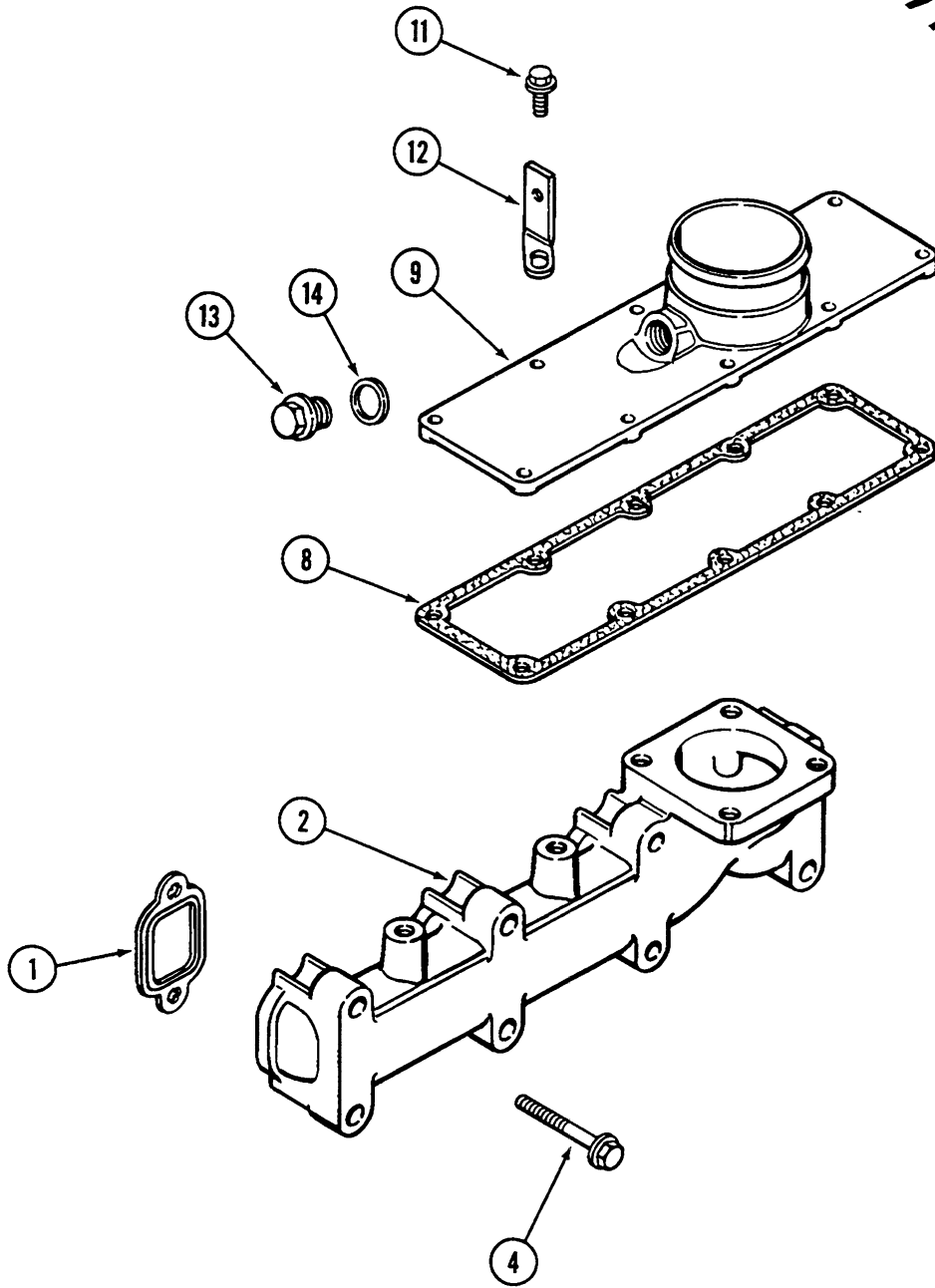
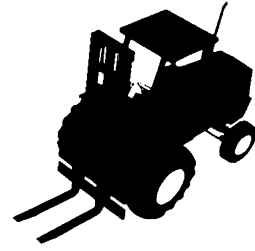
CLICK HERE TO **DOWNLOAD** THE COMPLETE MANUAL

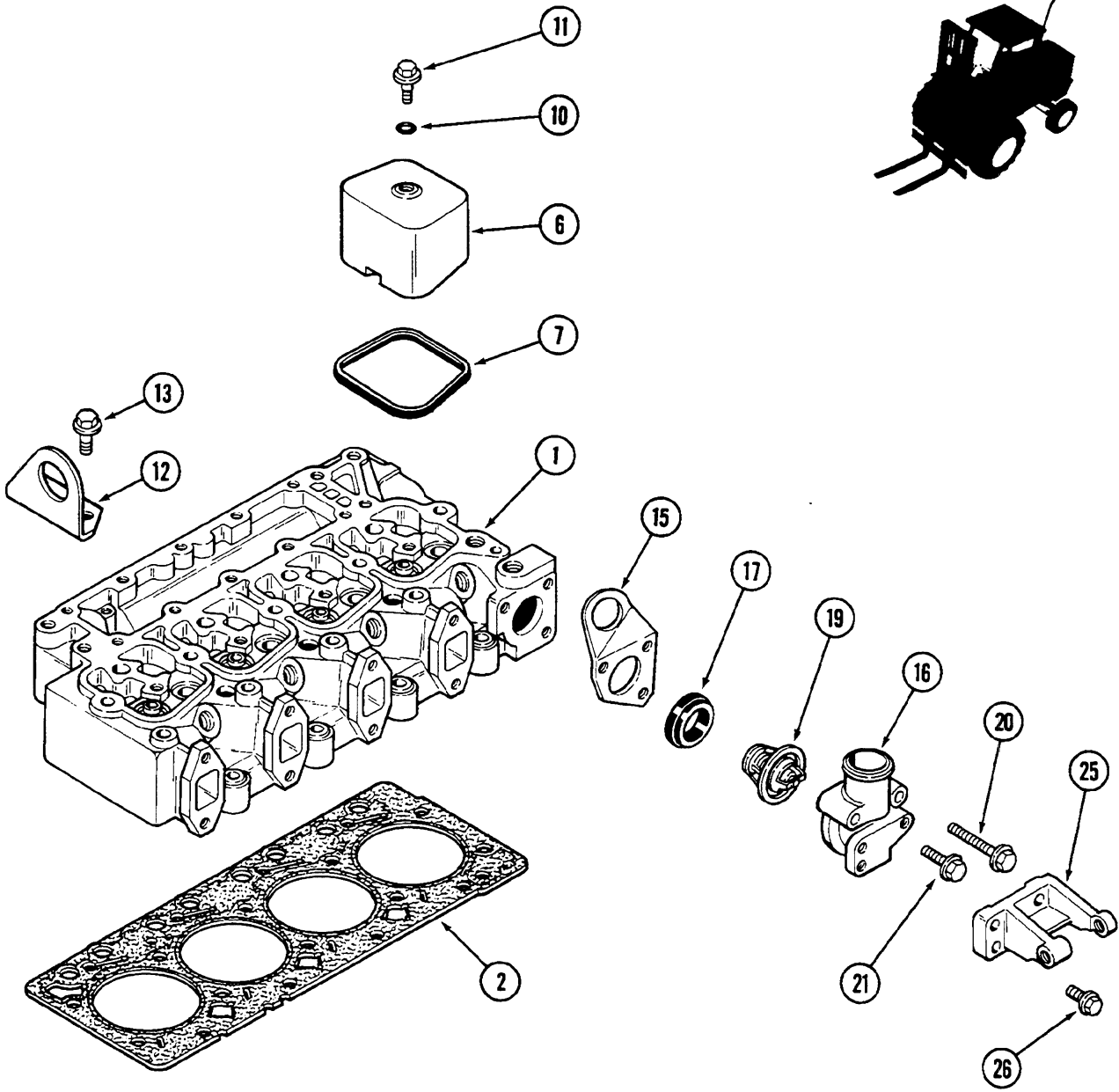


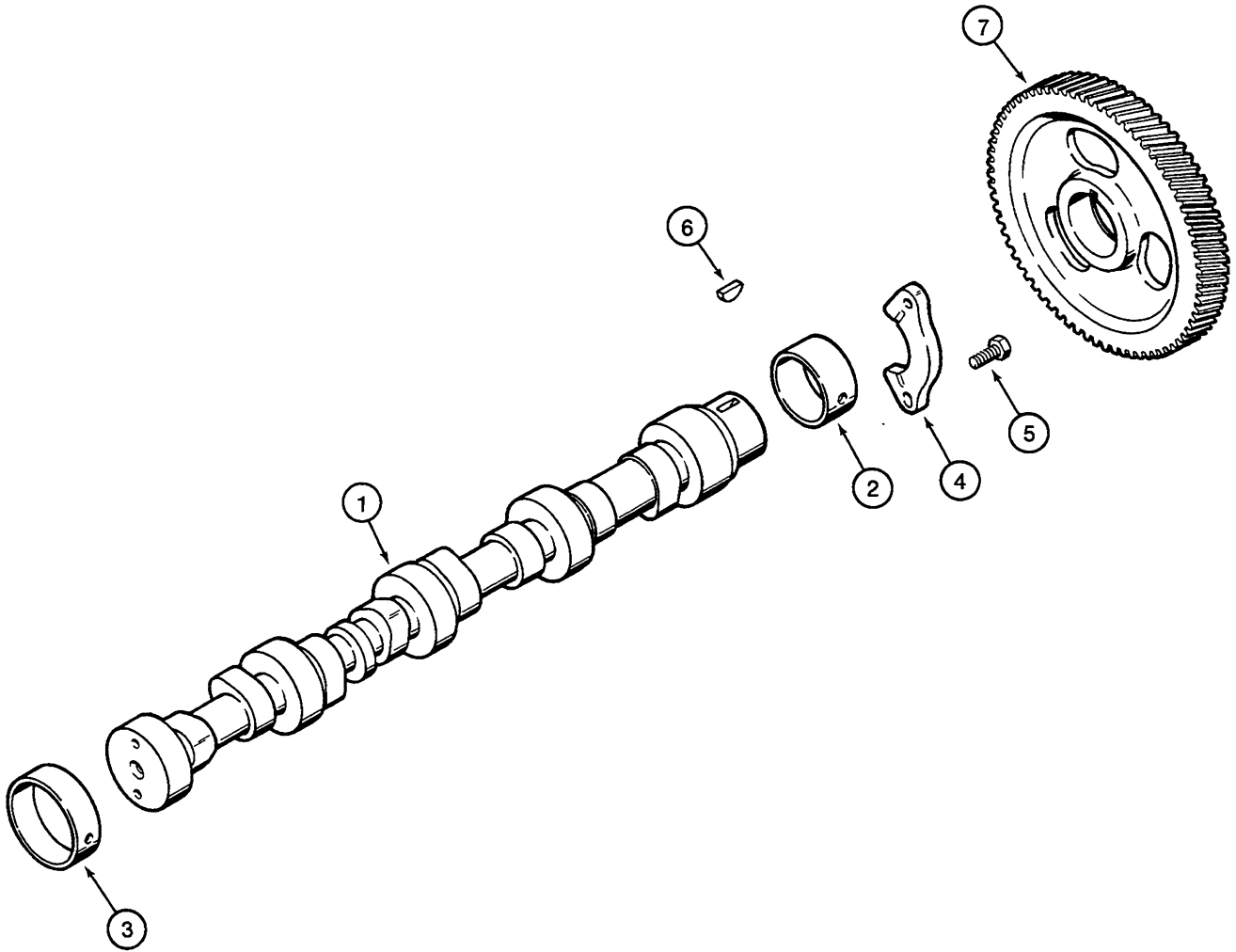


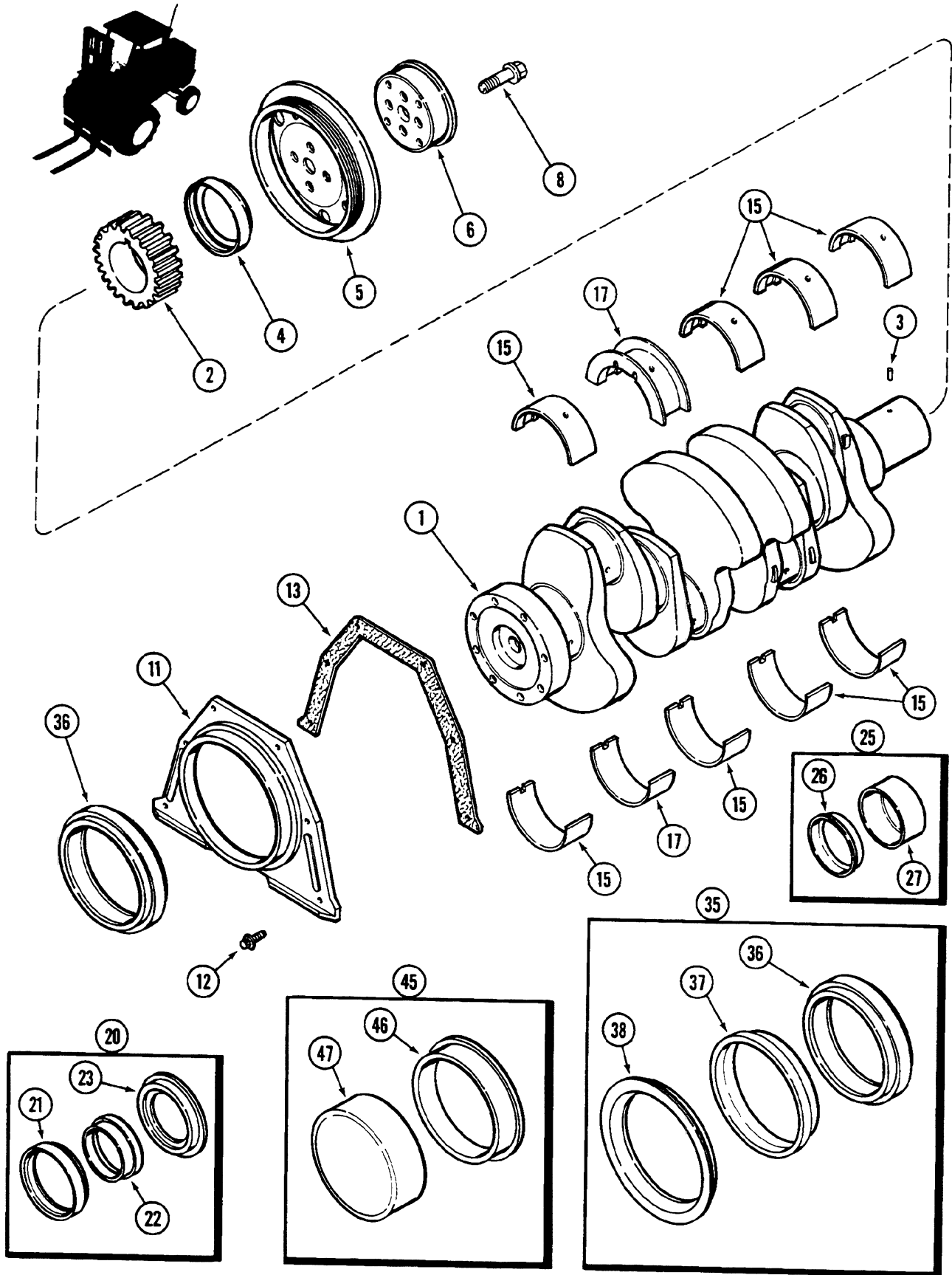
ENGINE ROTATED 180°  
FOR CLARITY

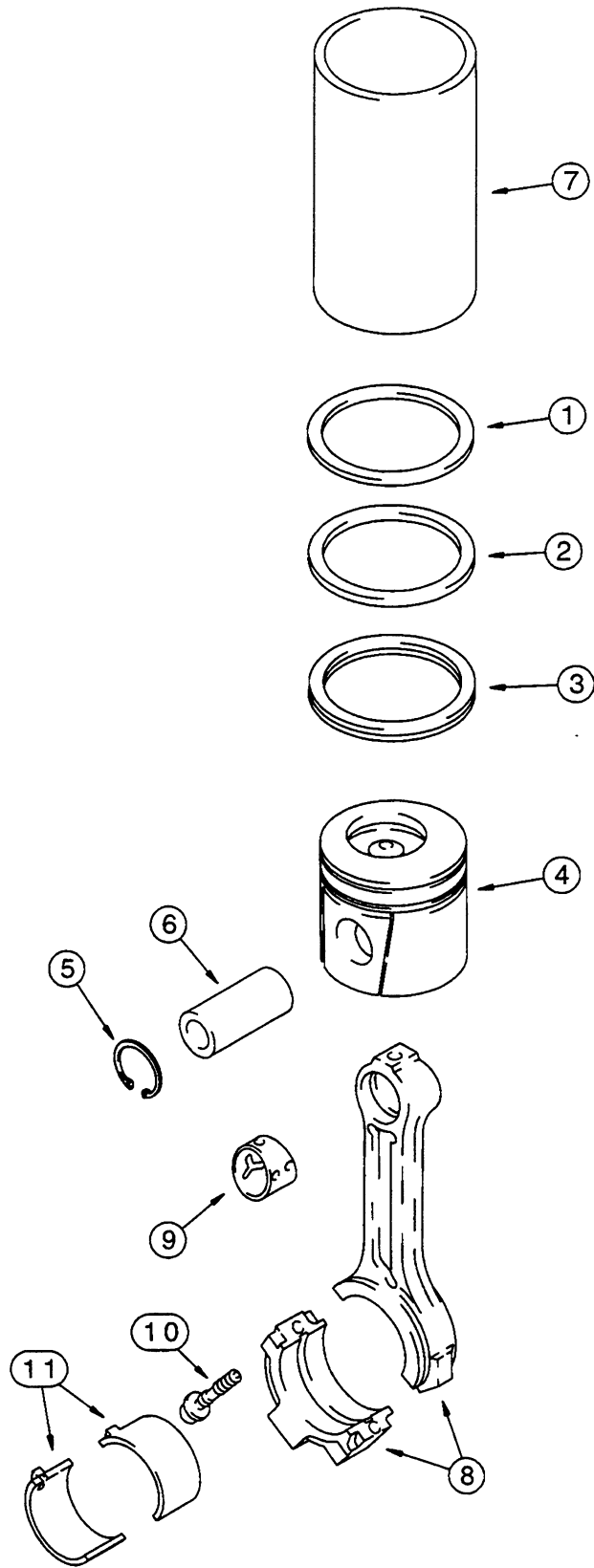


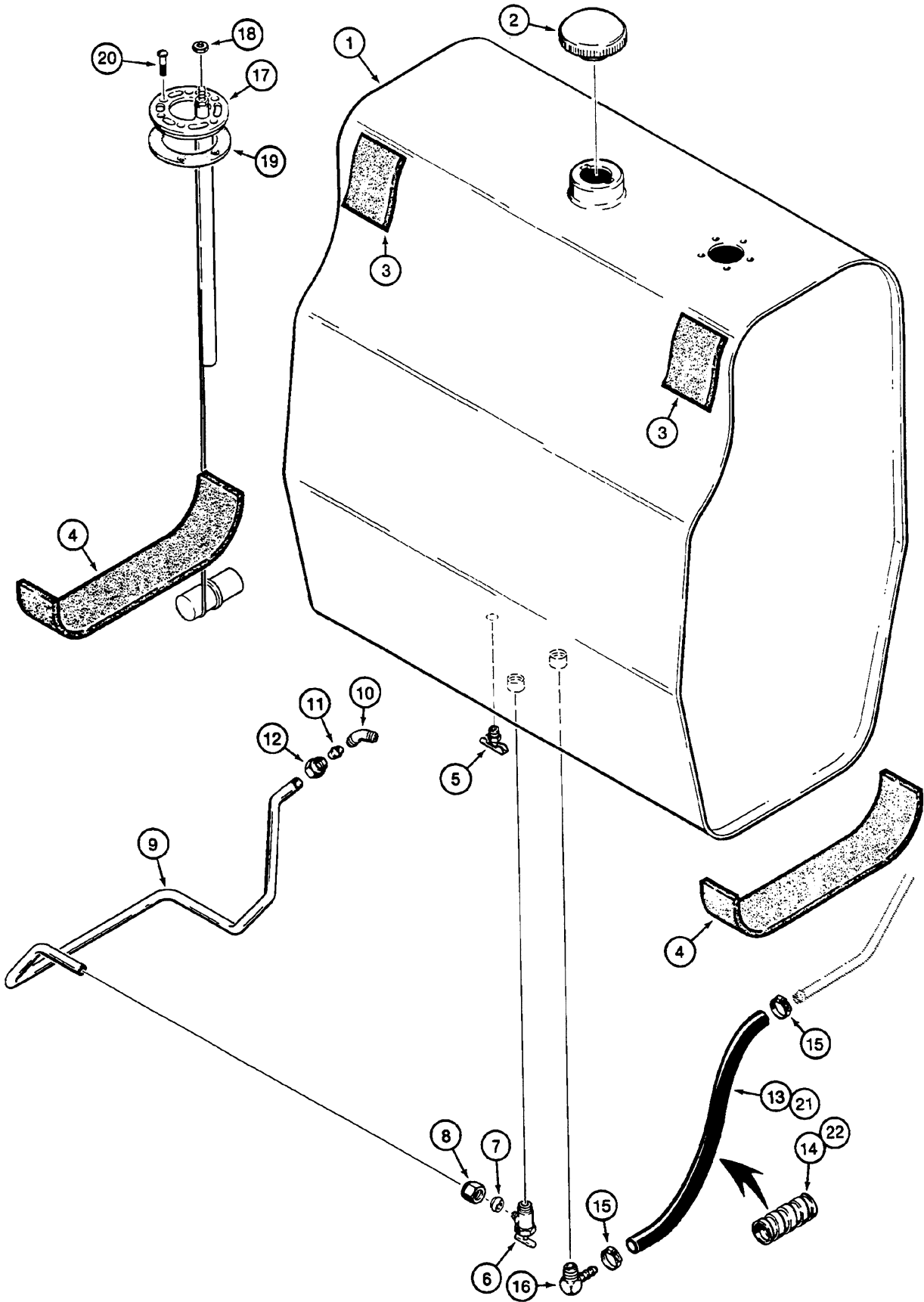


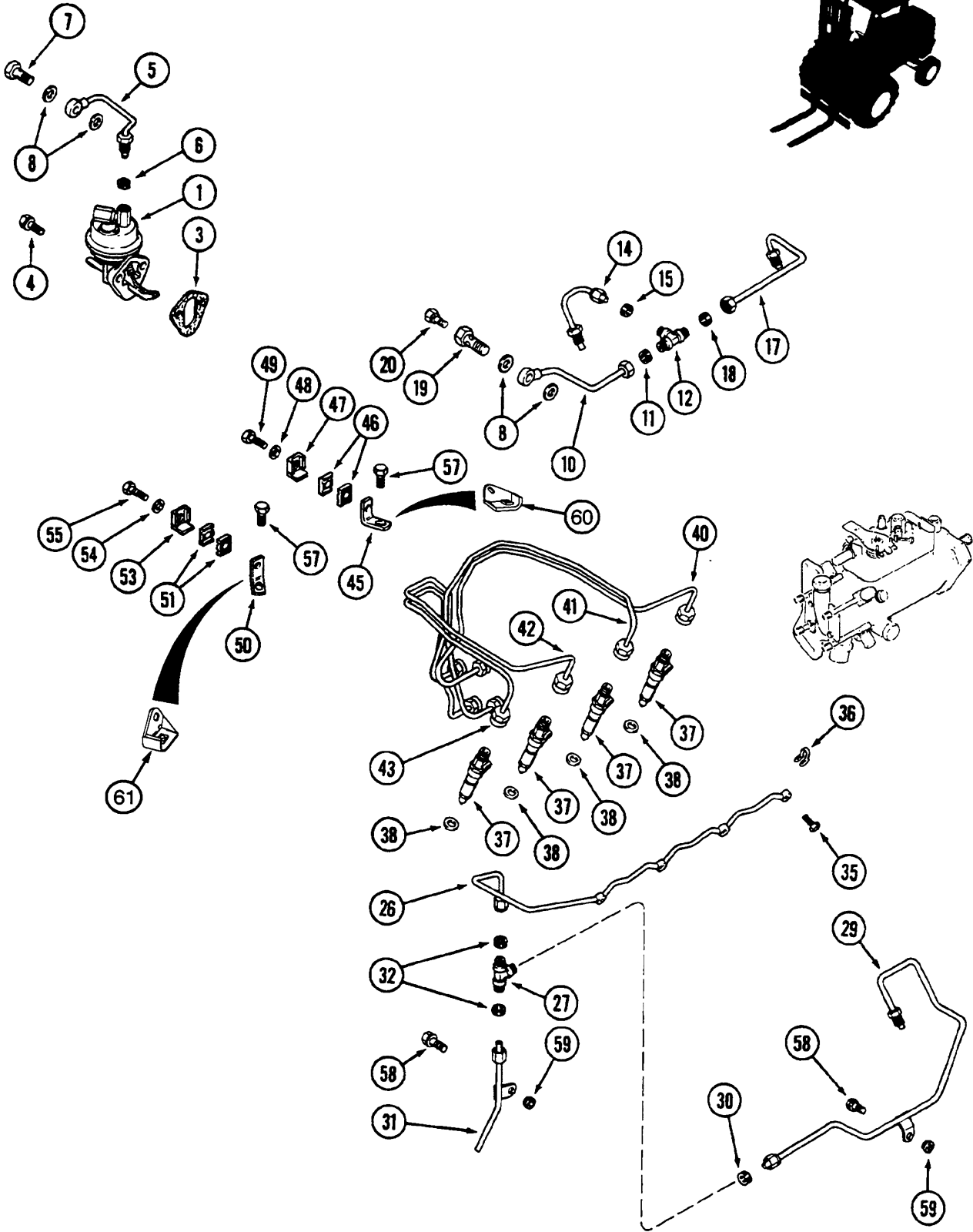
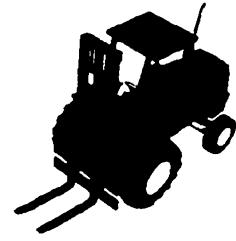


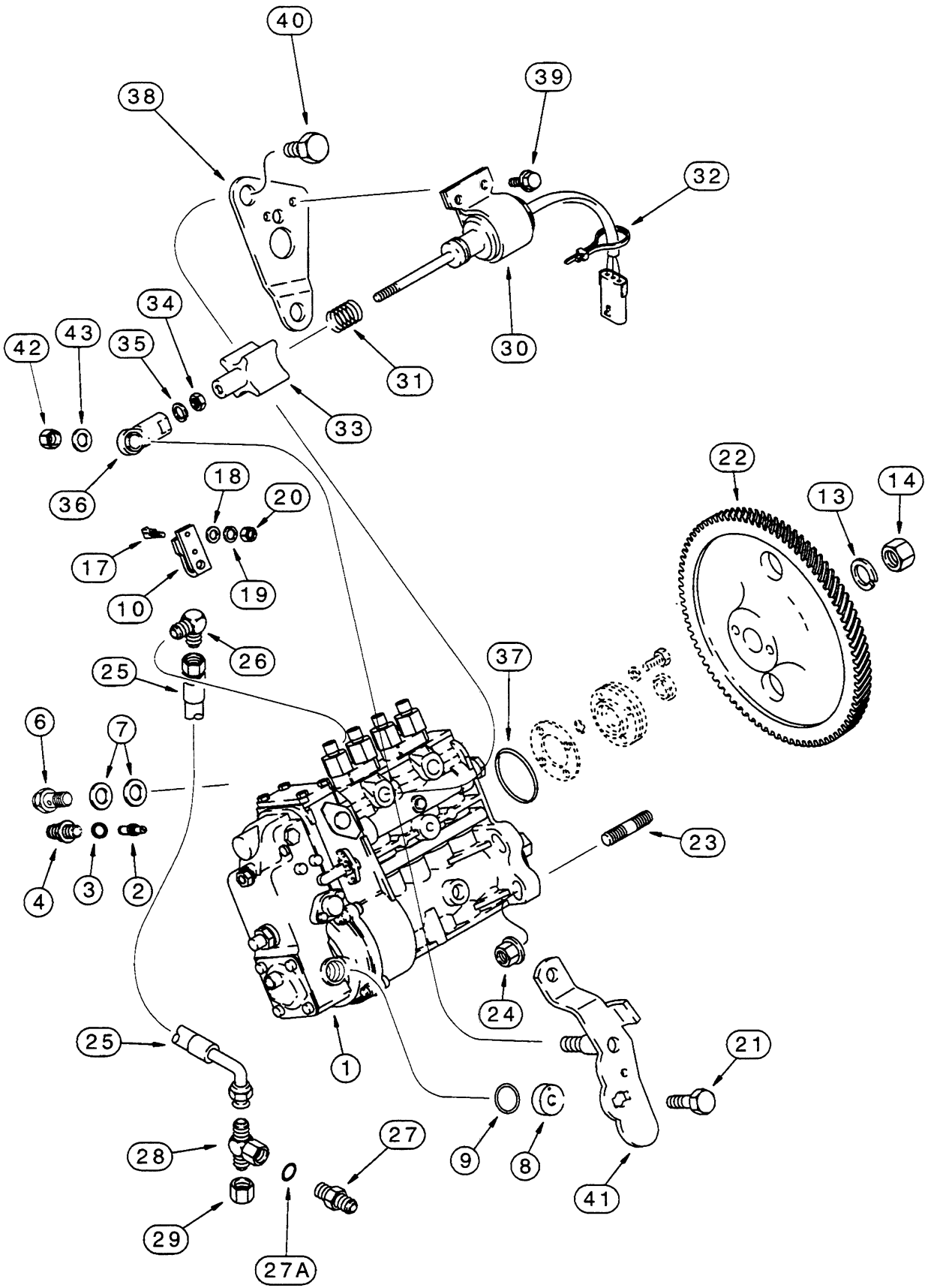


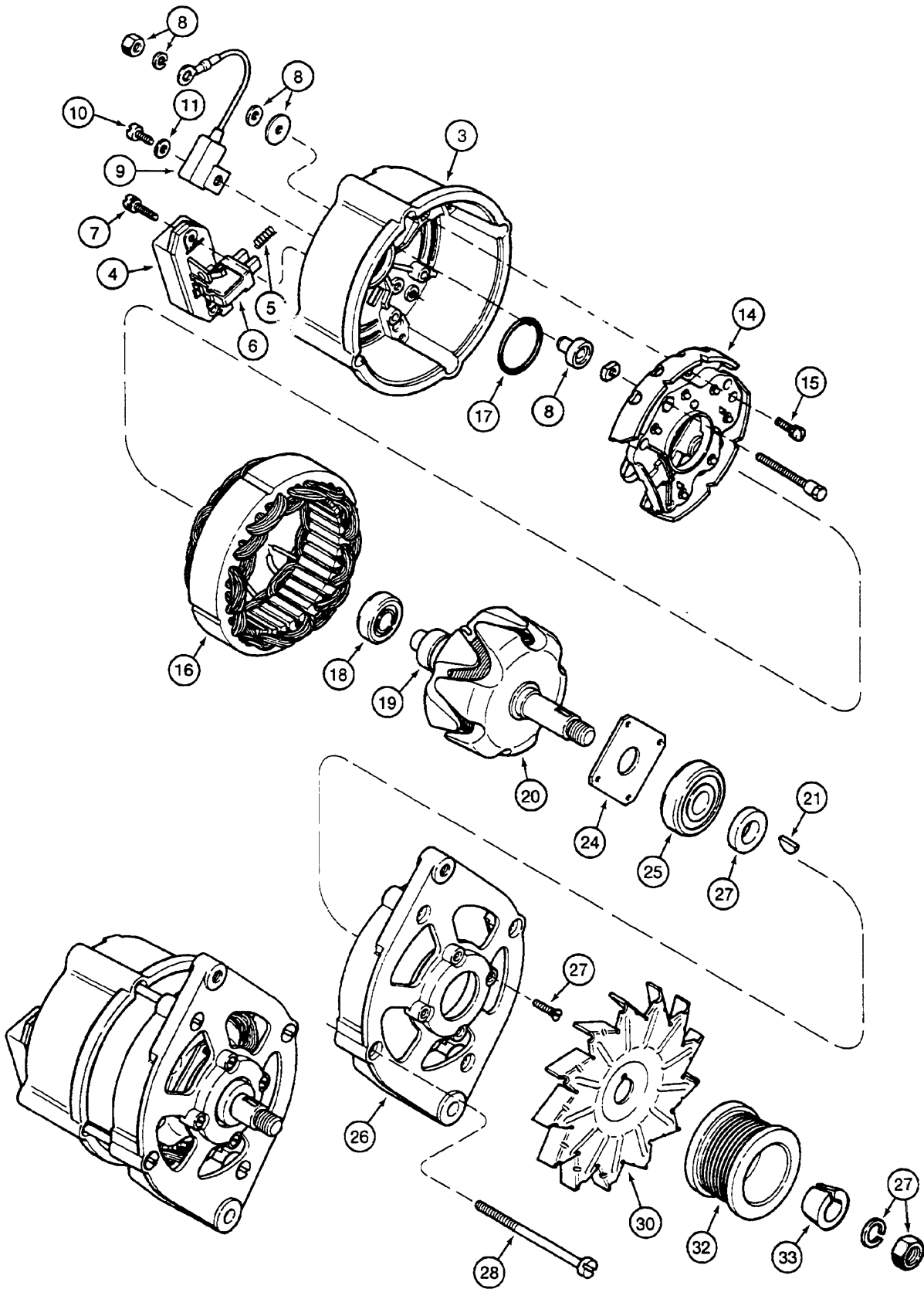


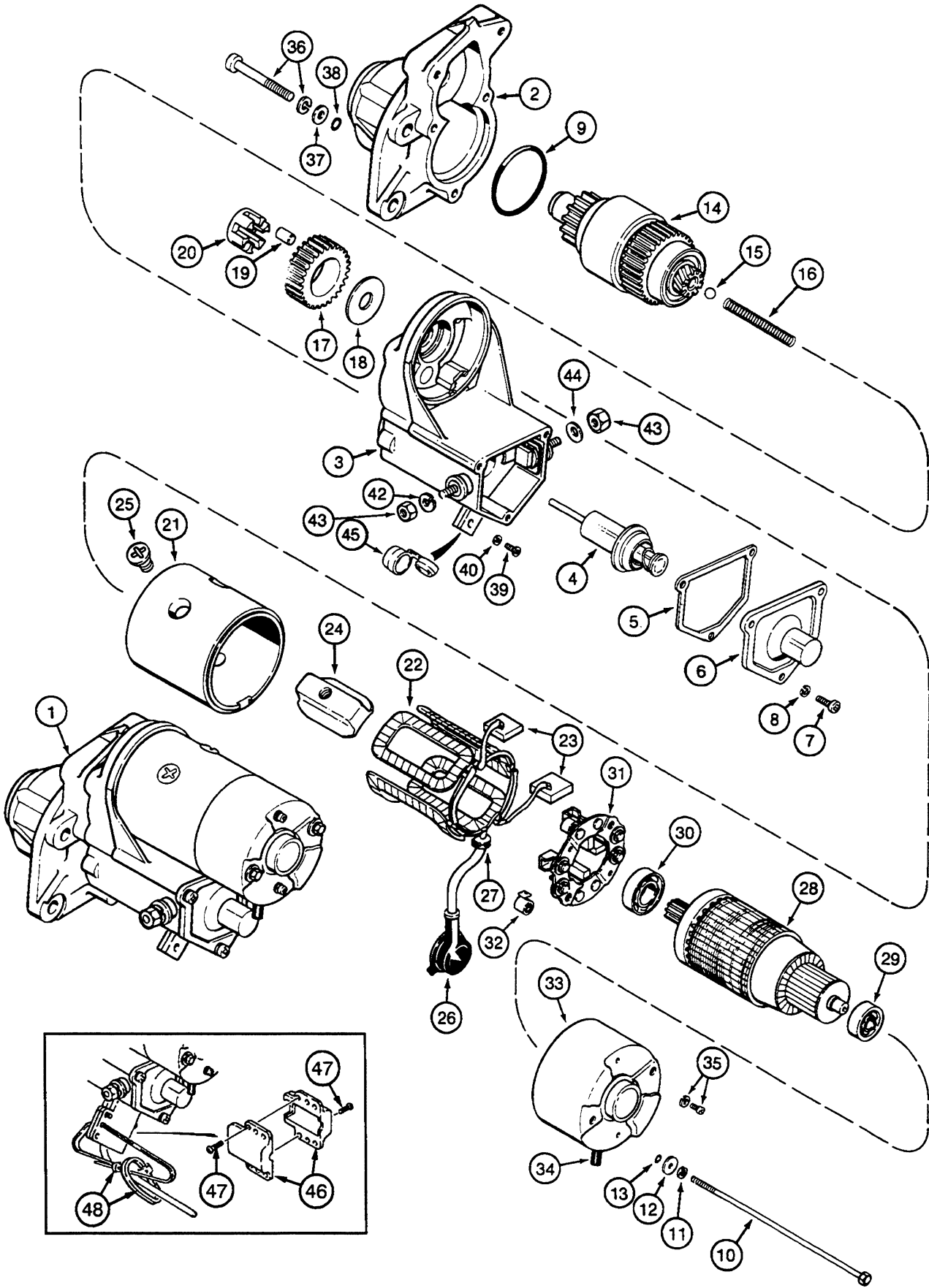


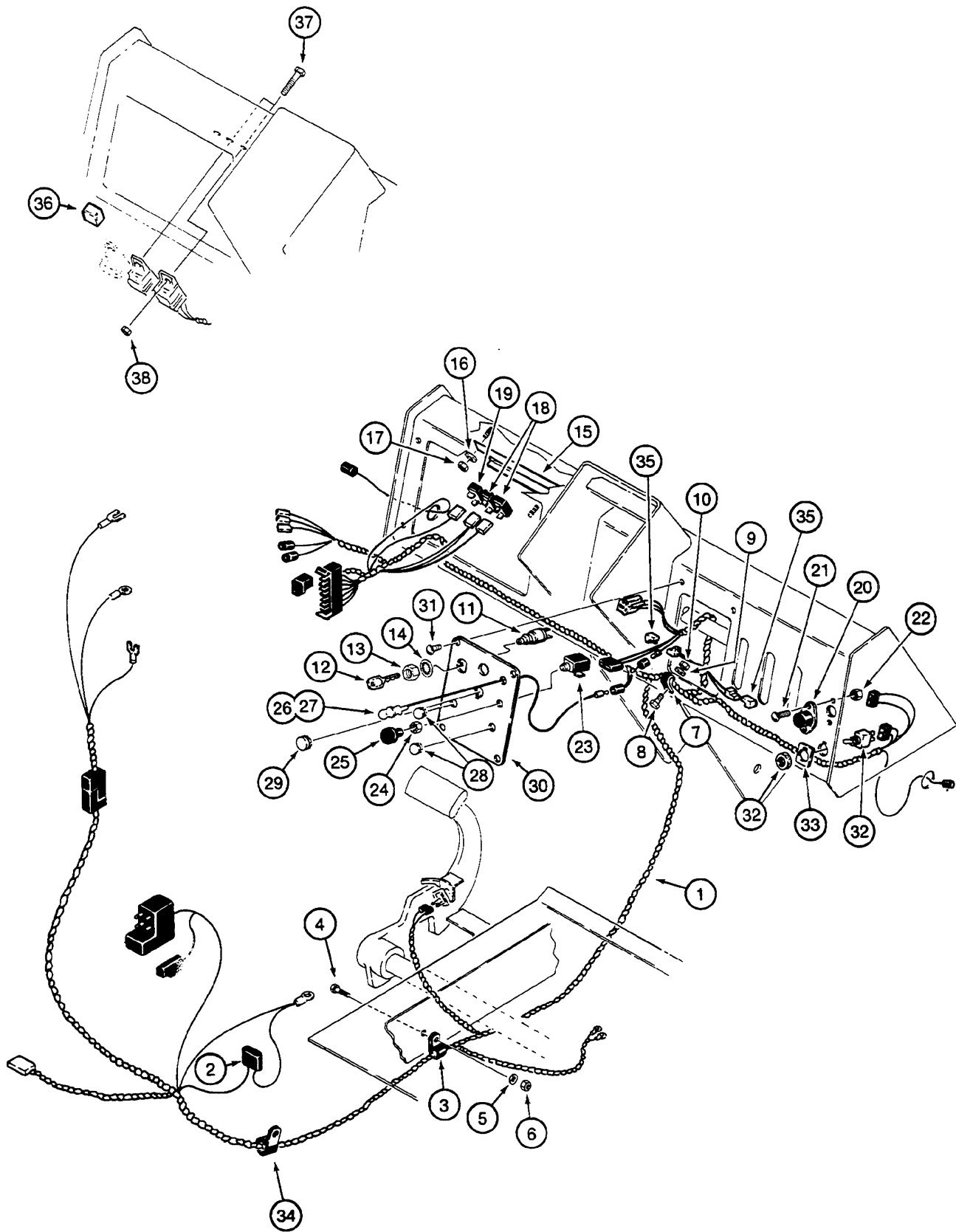


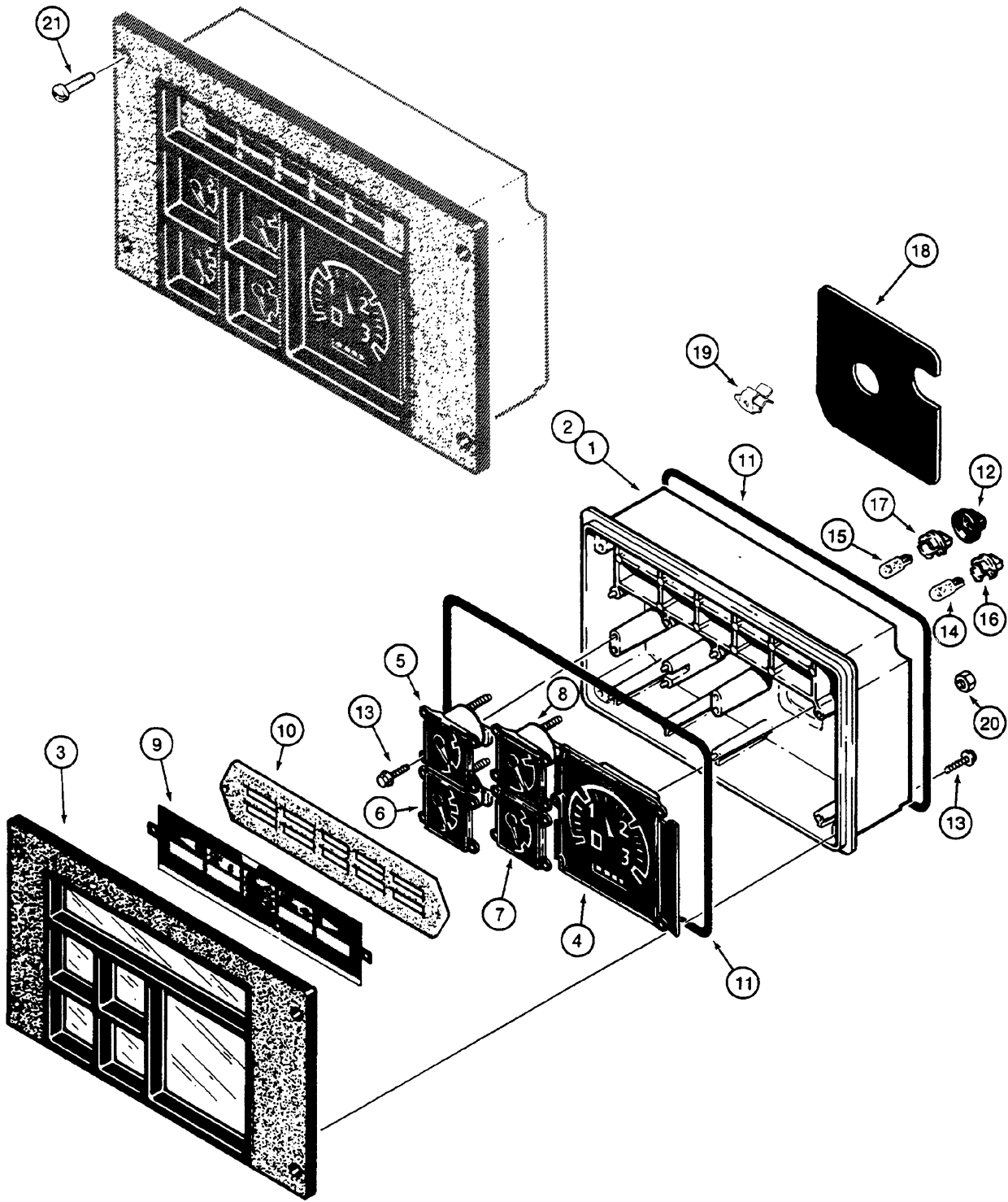


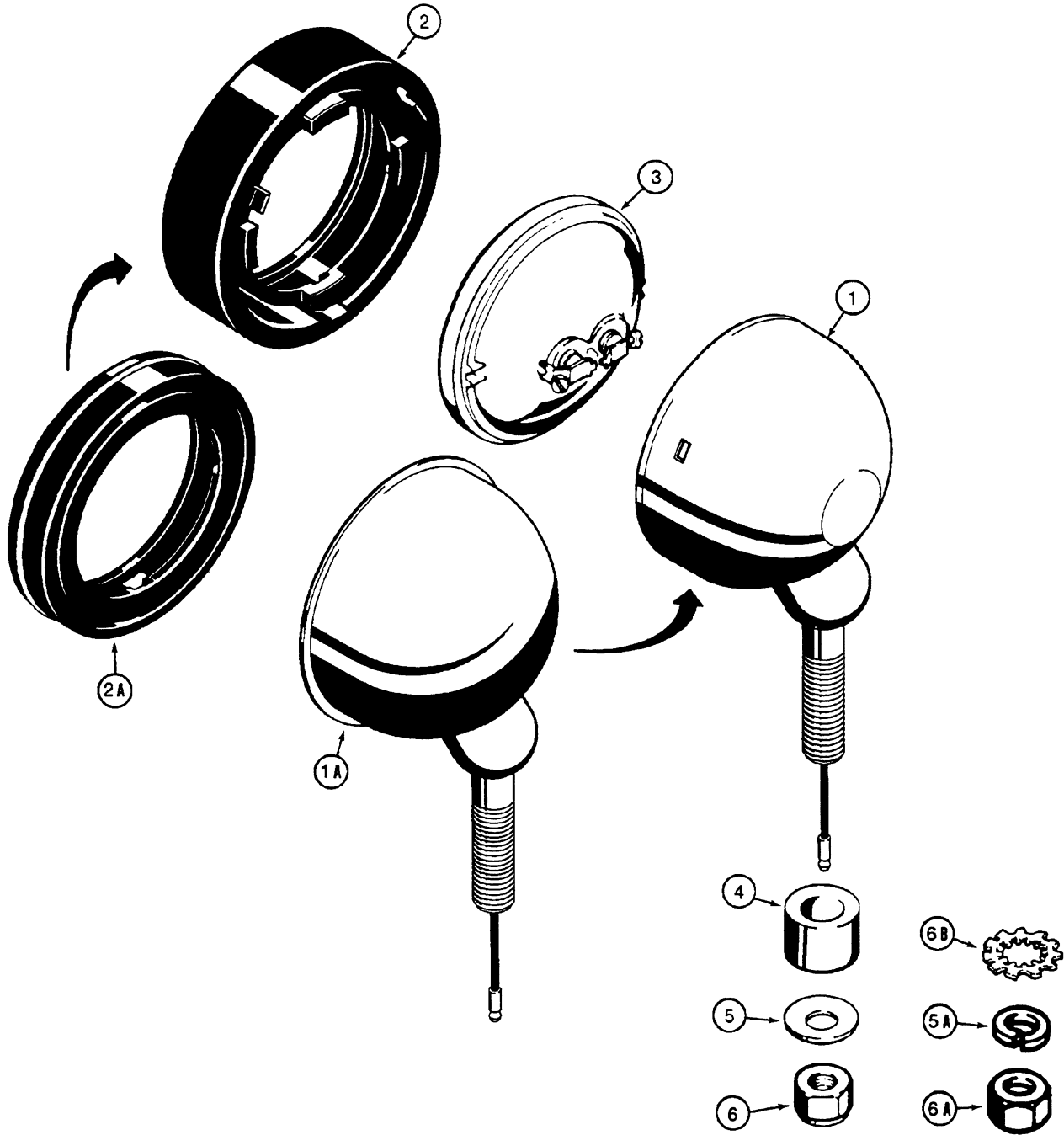


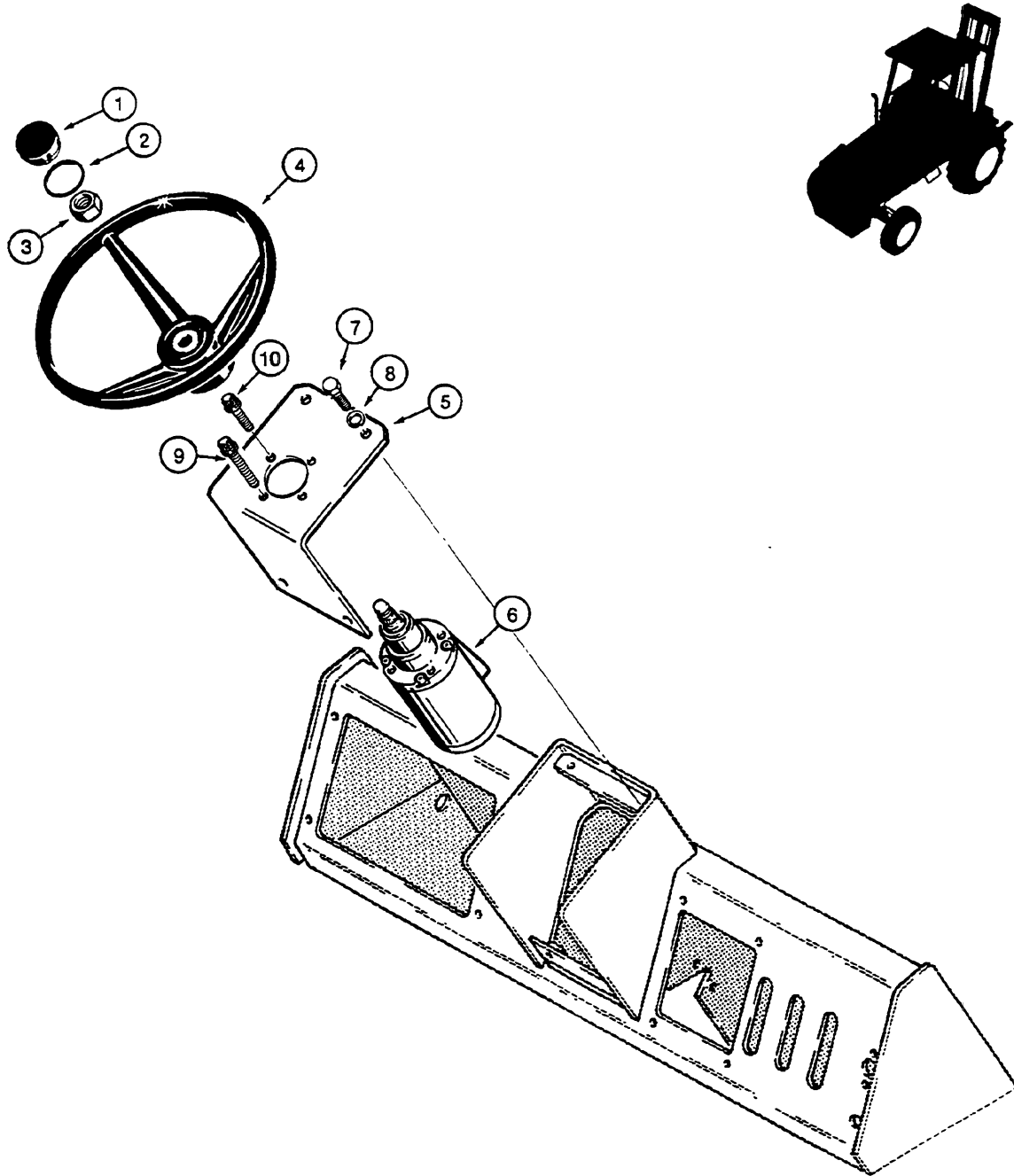


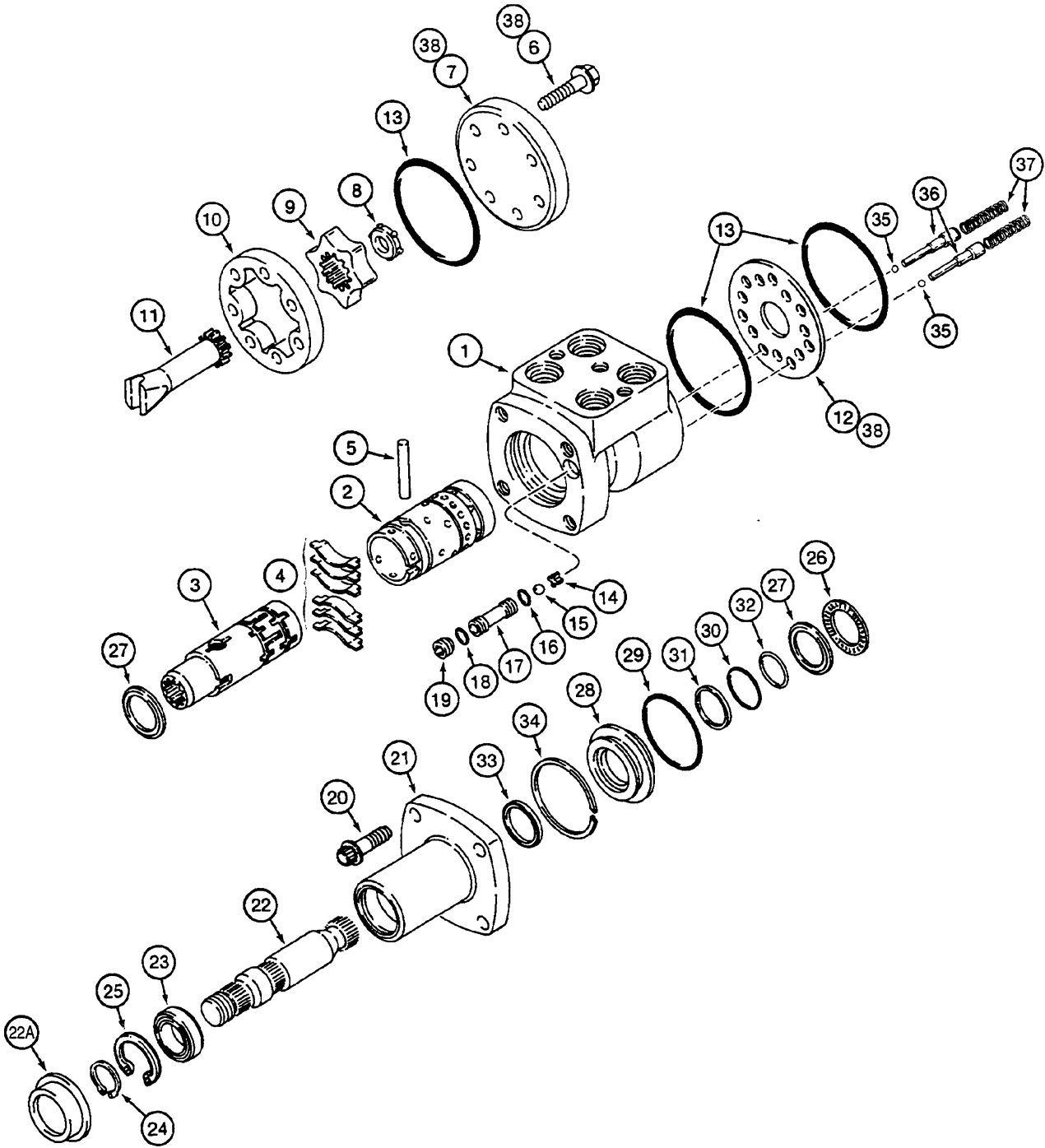


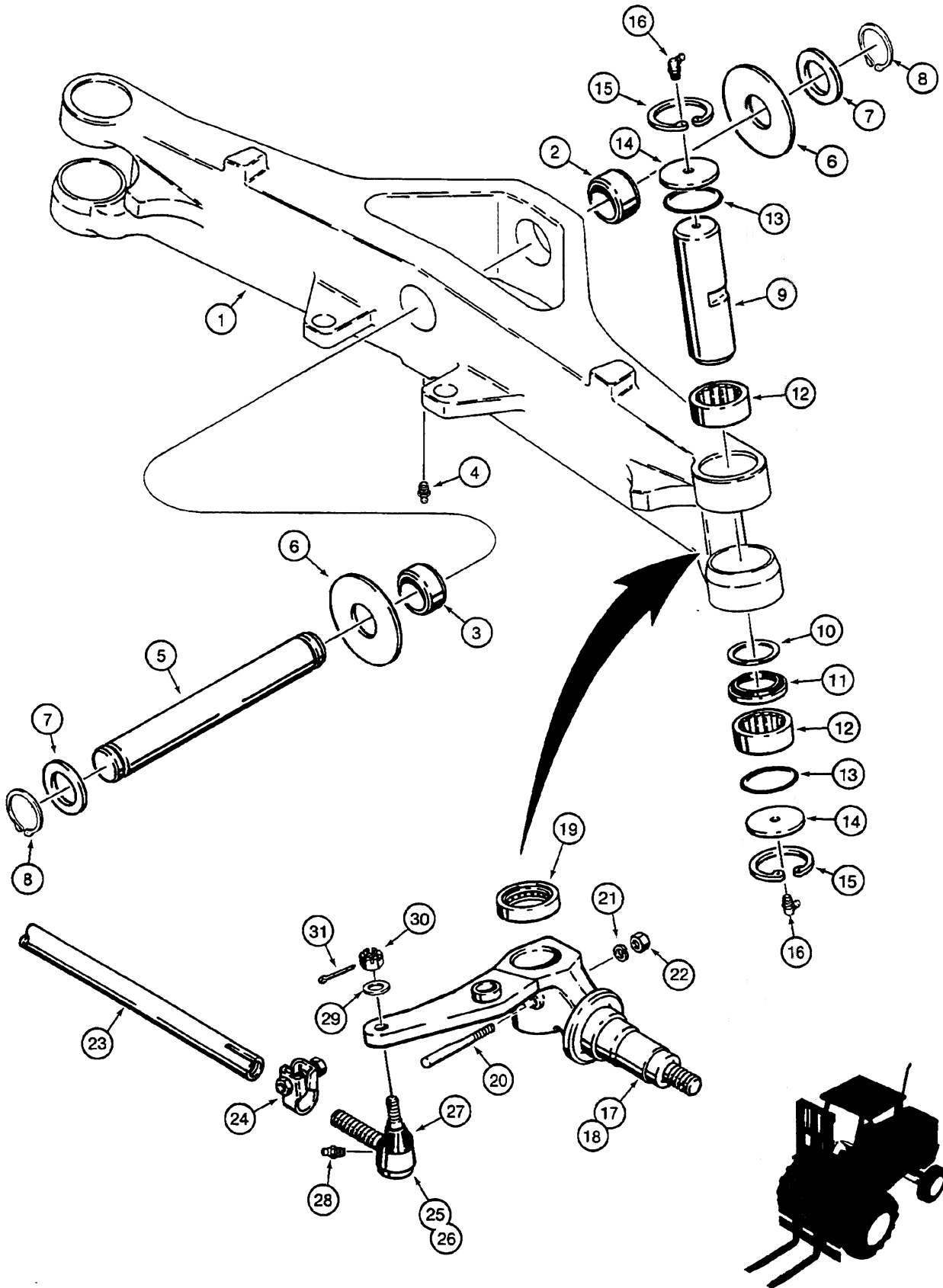


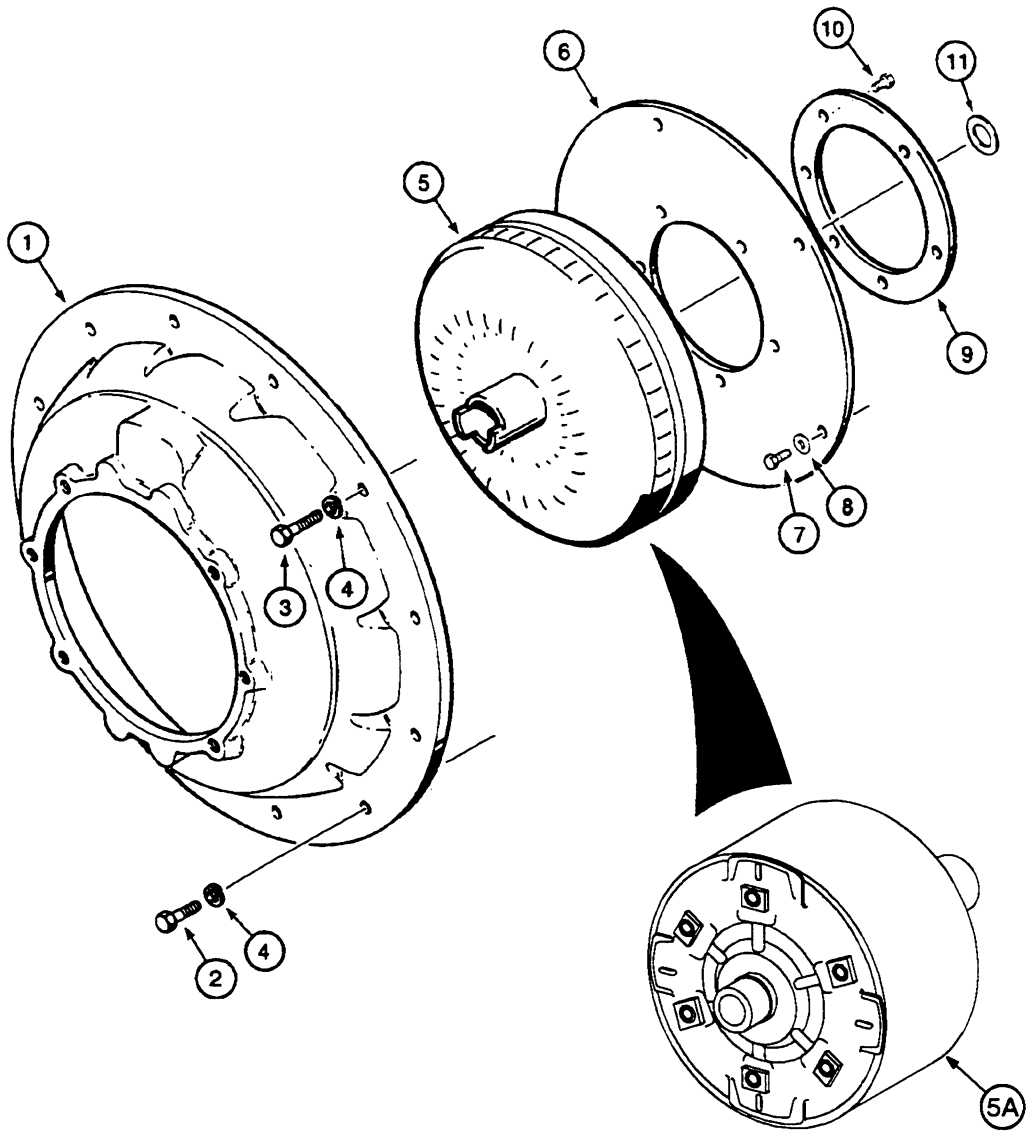




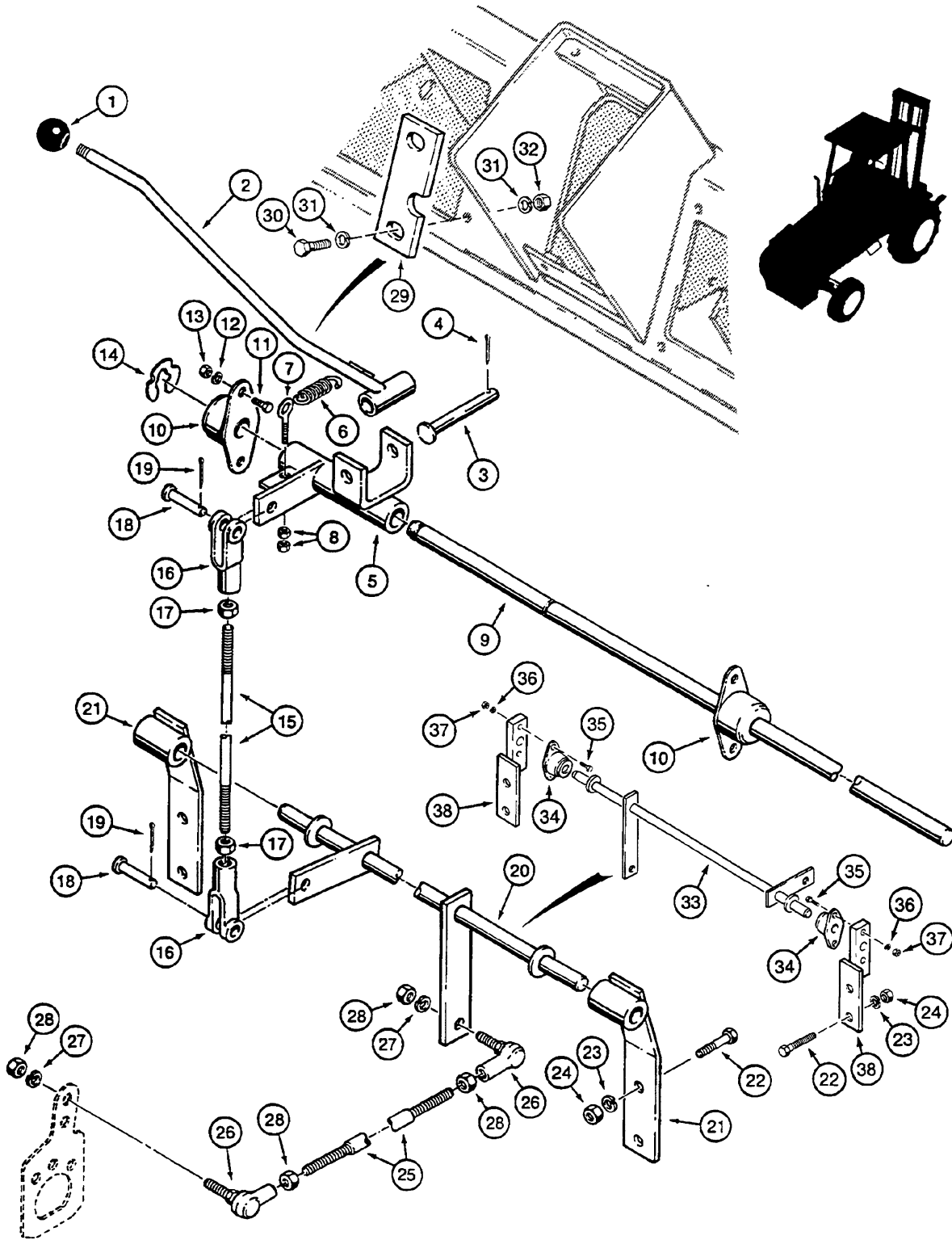


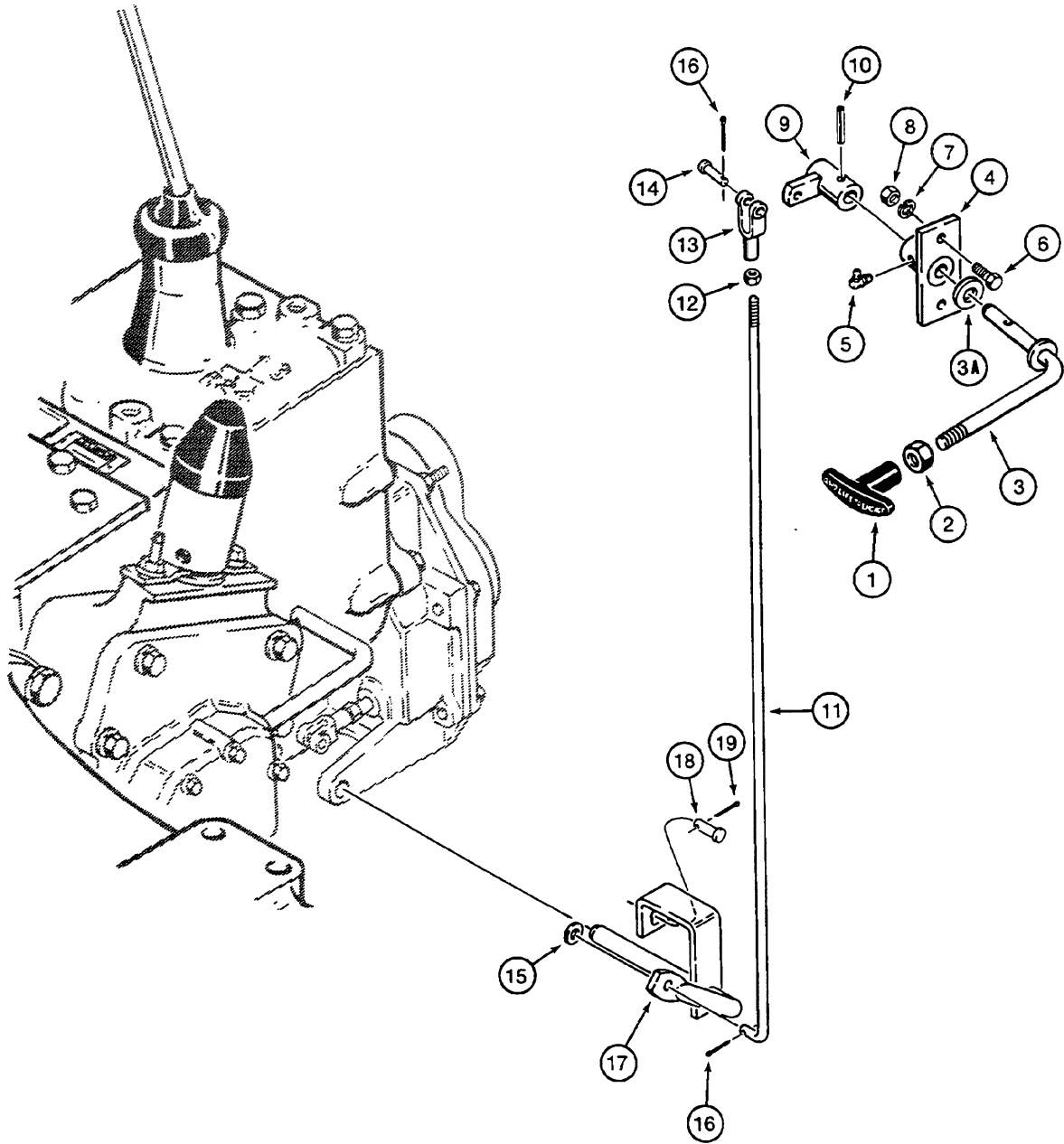


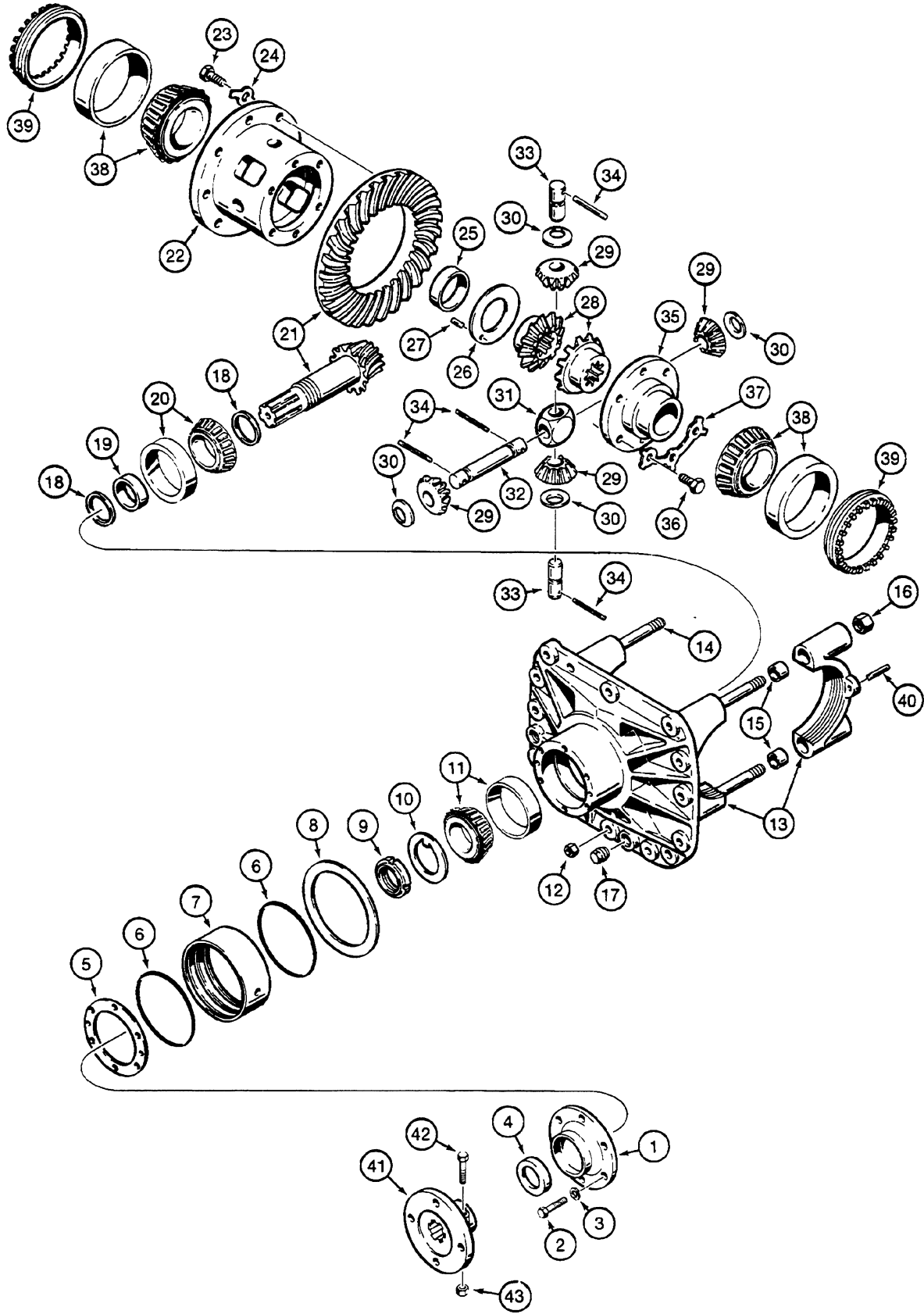


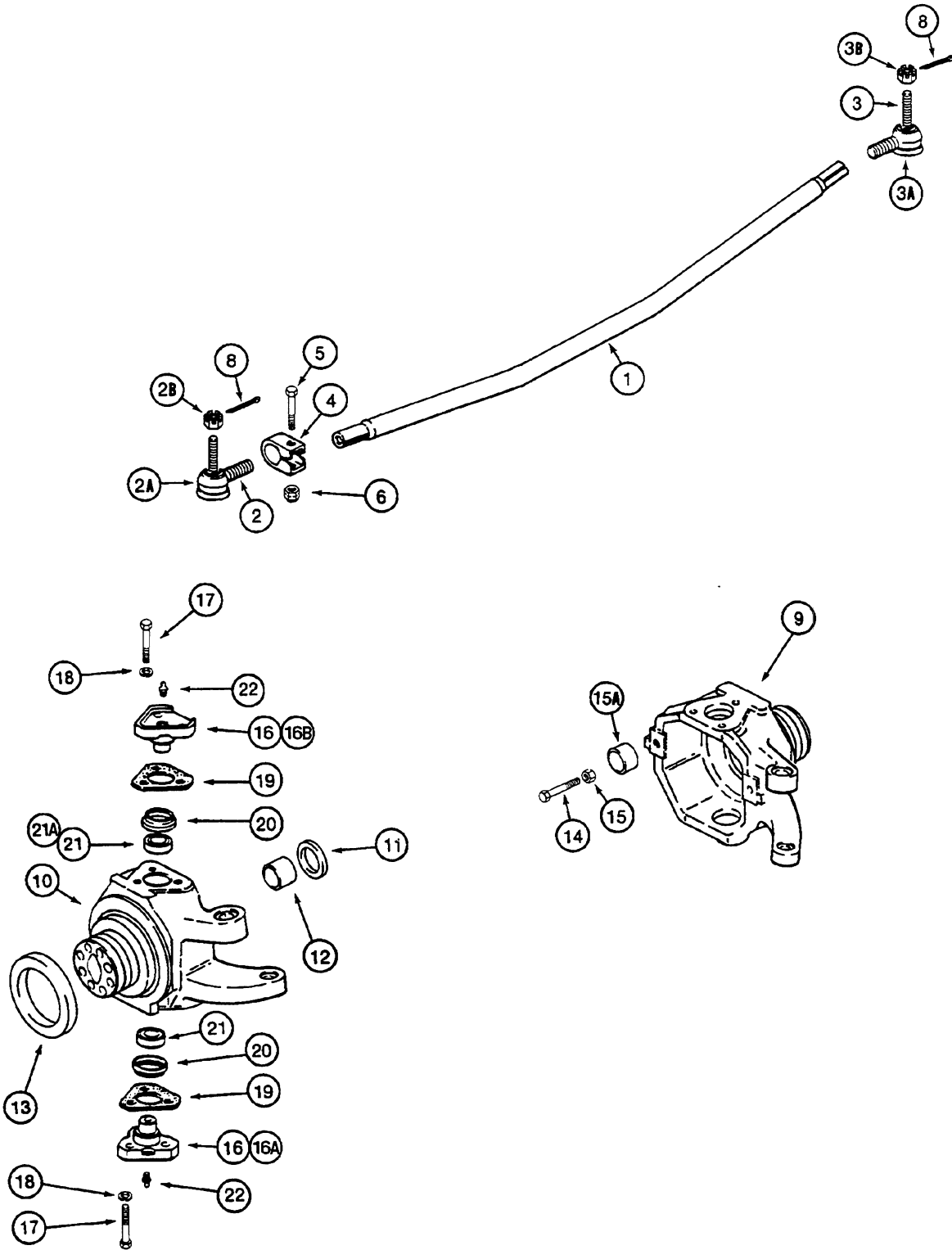


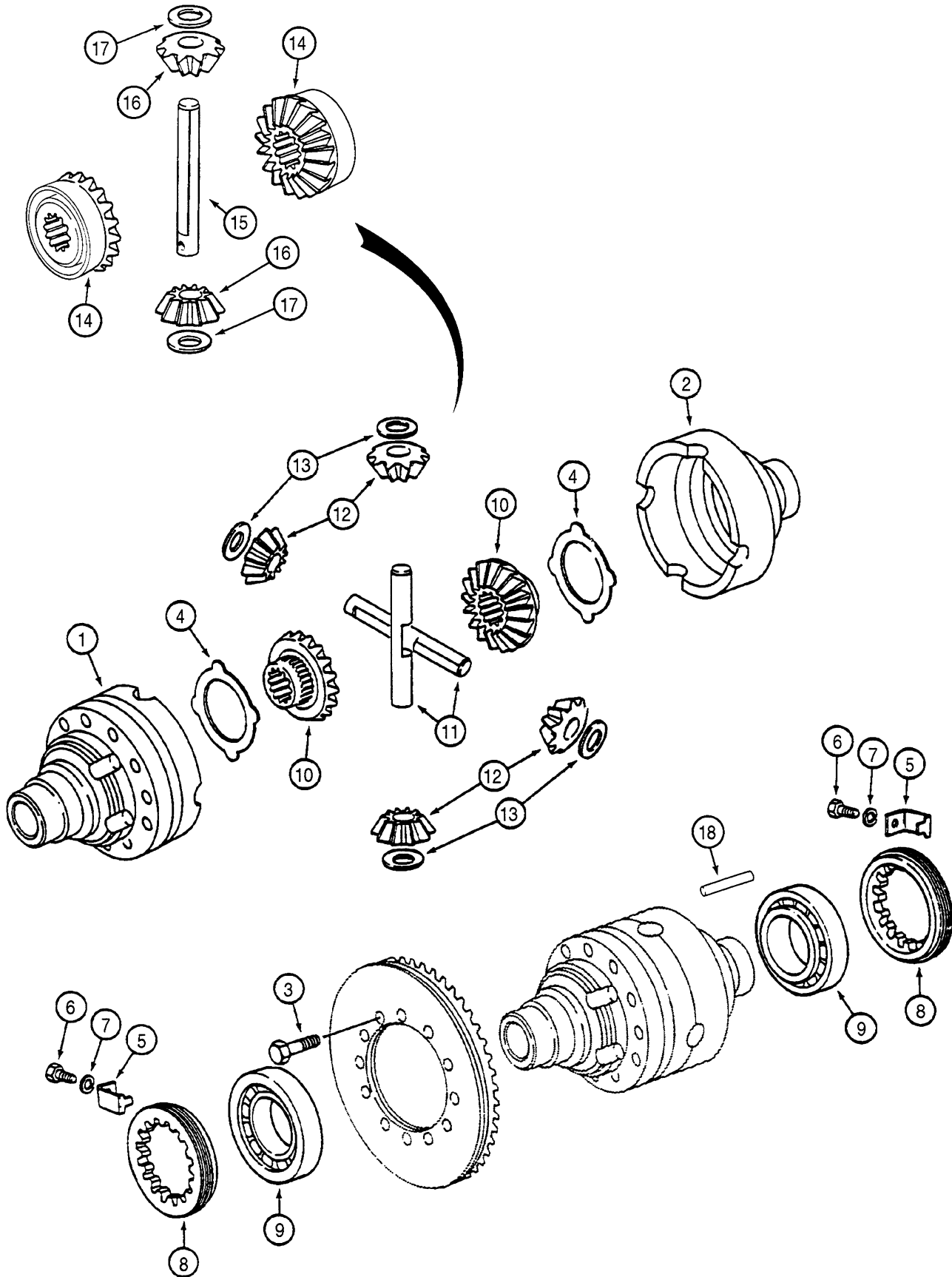












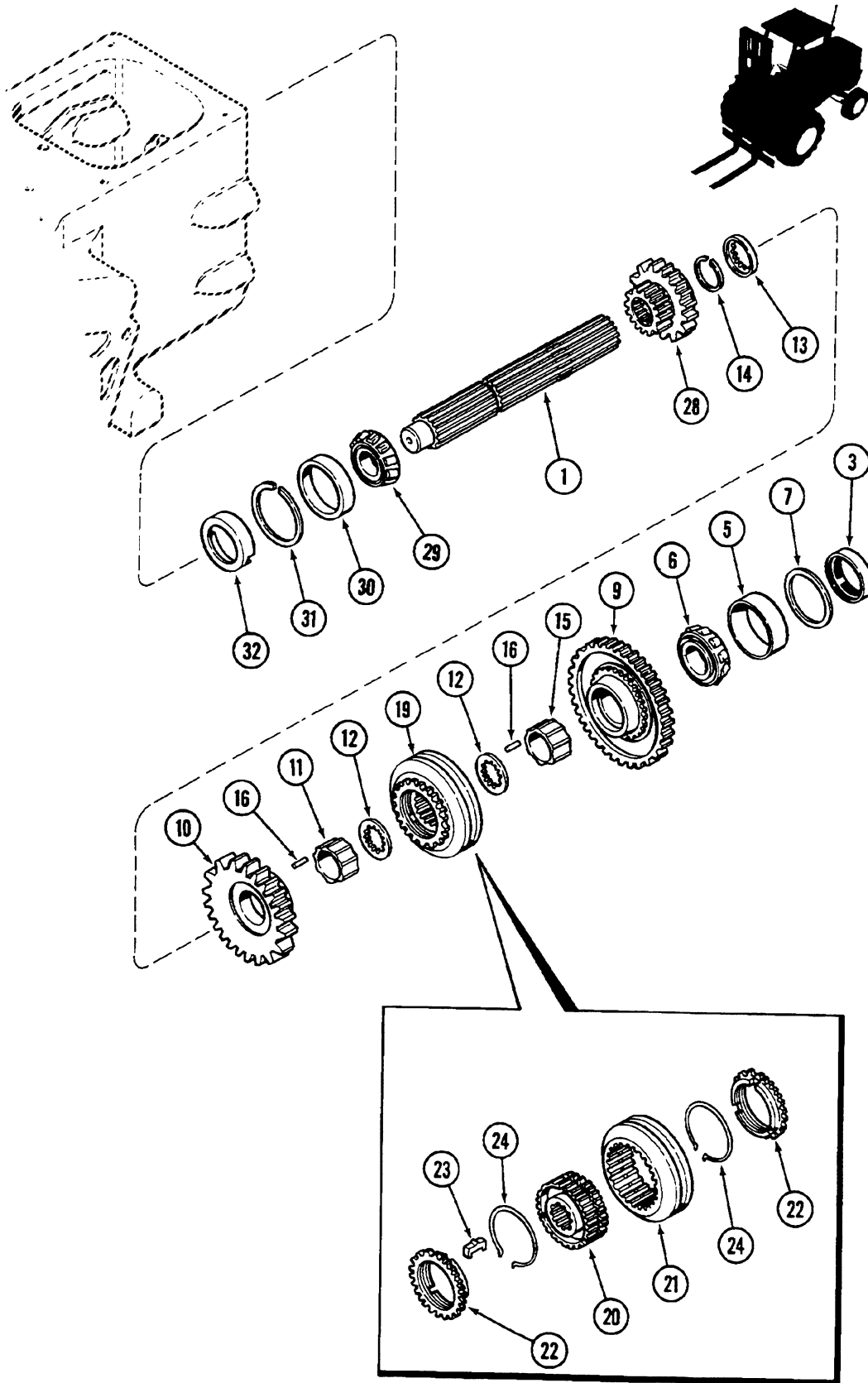
CLICK HERE TO **DOWNLOAD** THE COMPLETE MANUAL

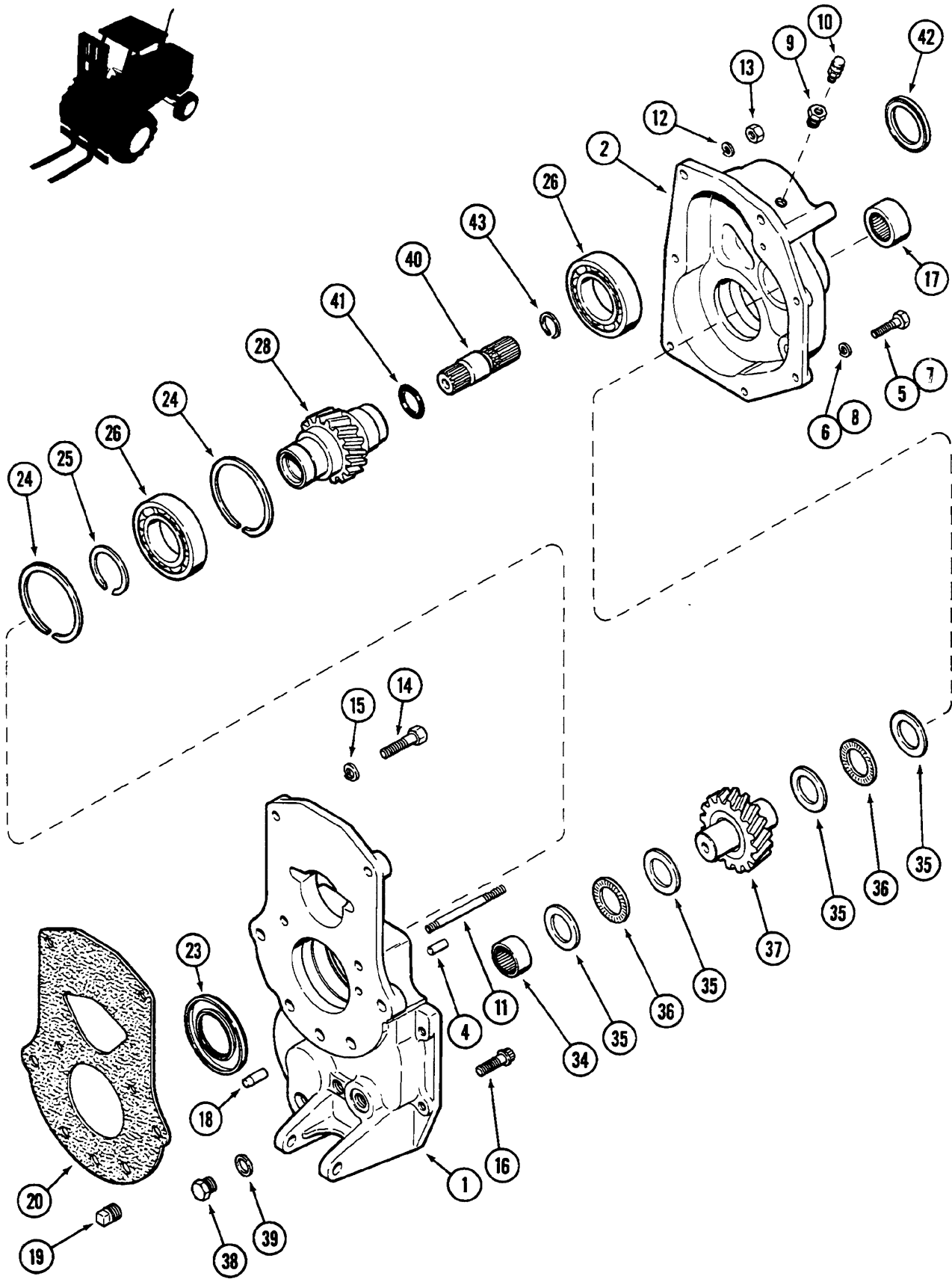
- Thank you very much for reading the preview of the manual.
- You can download the complete manual from: [www.heydownloads.com](http://www.heydownloads.com) by clicking the link below

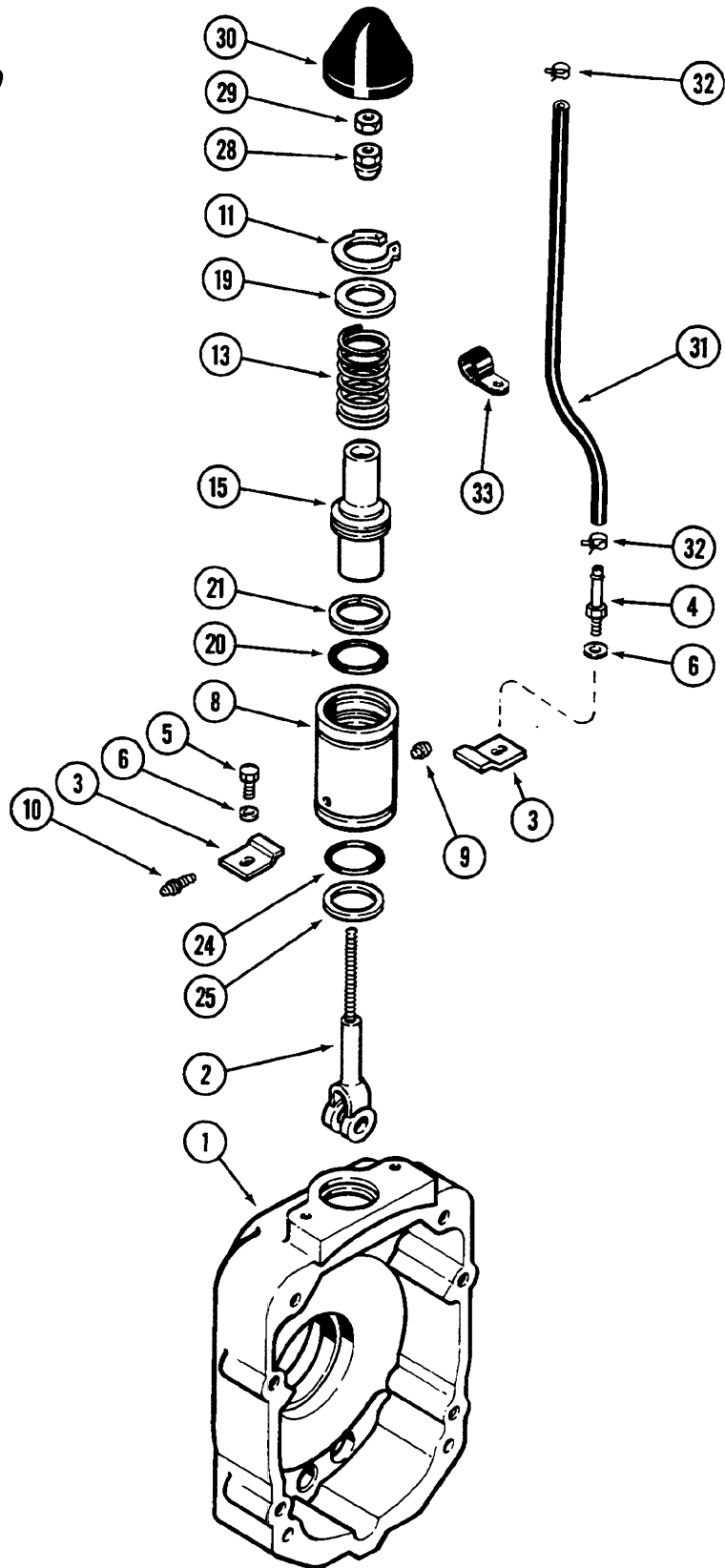
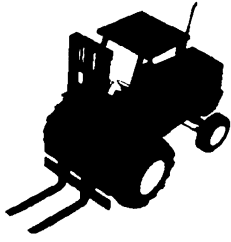


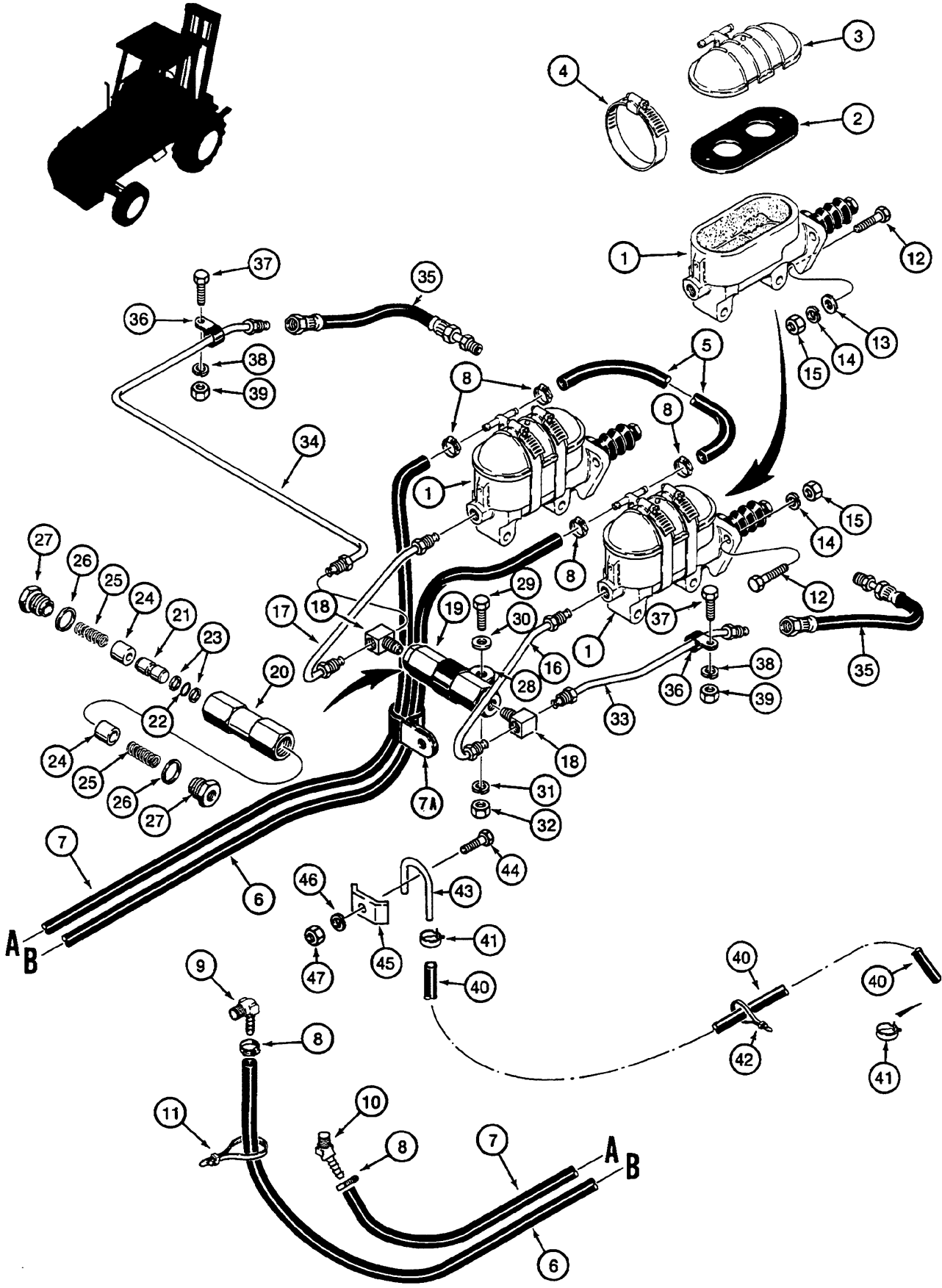
- Please note: If there is no response to CLICKING the link, please download this PDF first and then click on it.

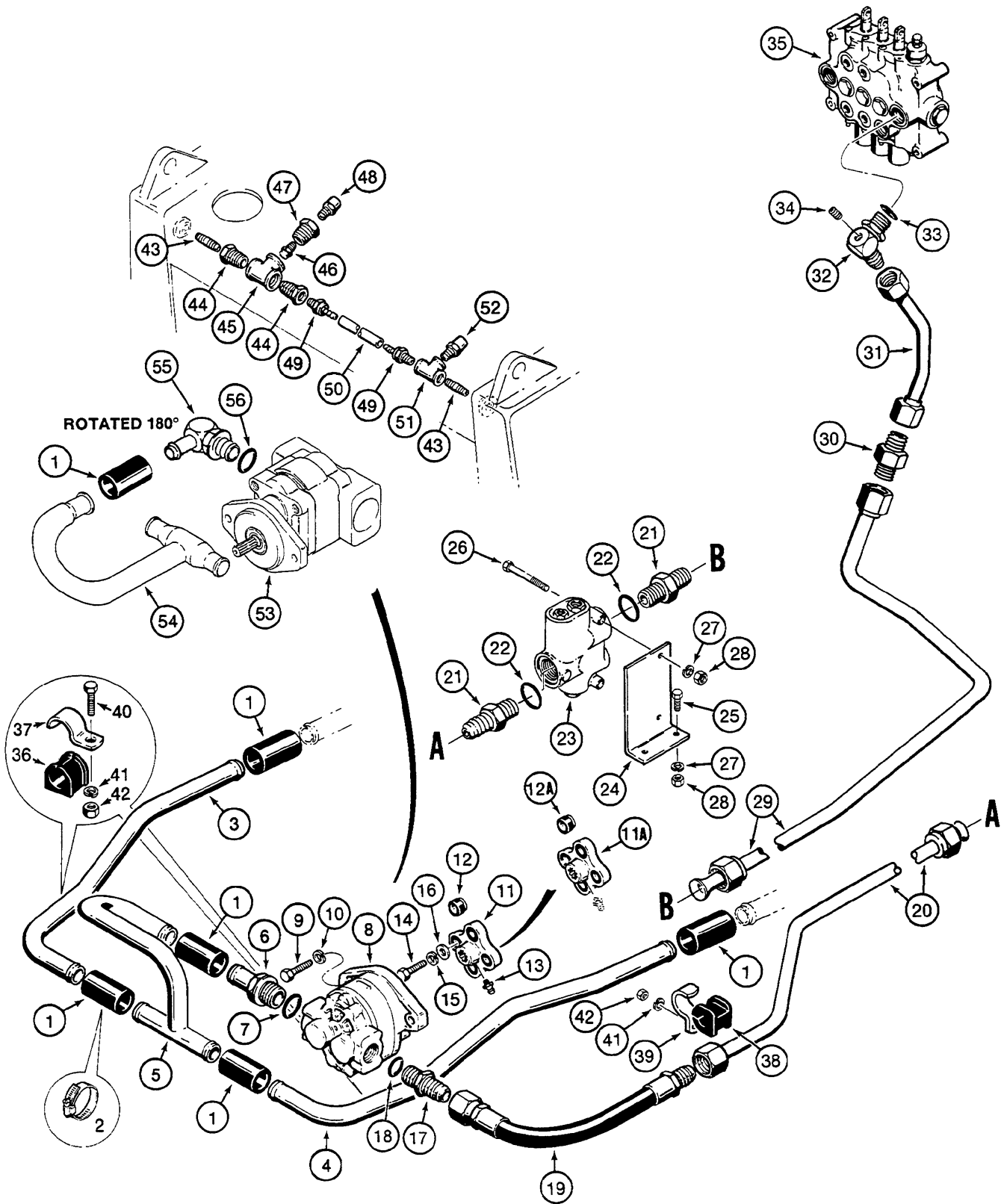
CLICK HERE TO **DOWNLOAD** THE COMPLETE MANUAL

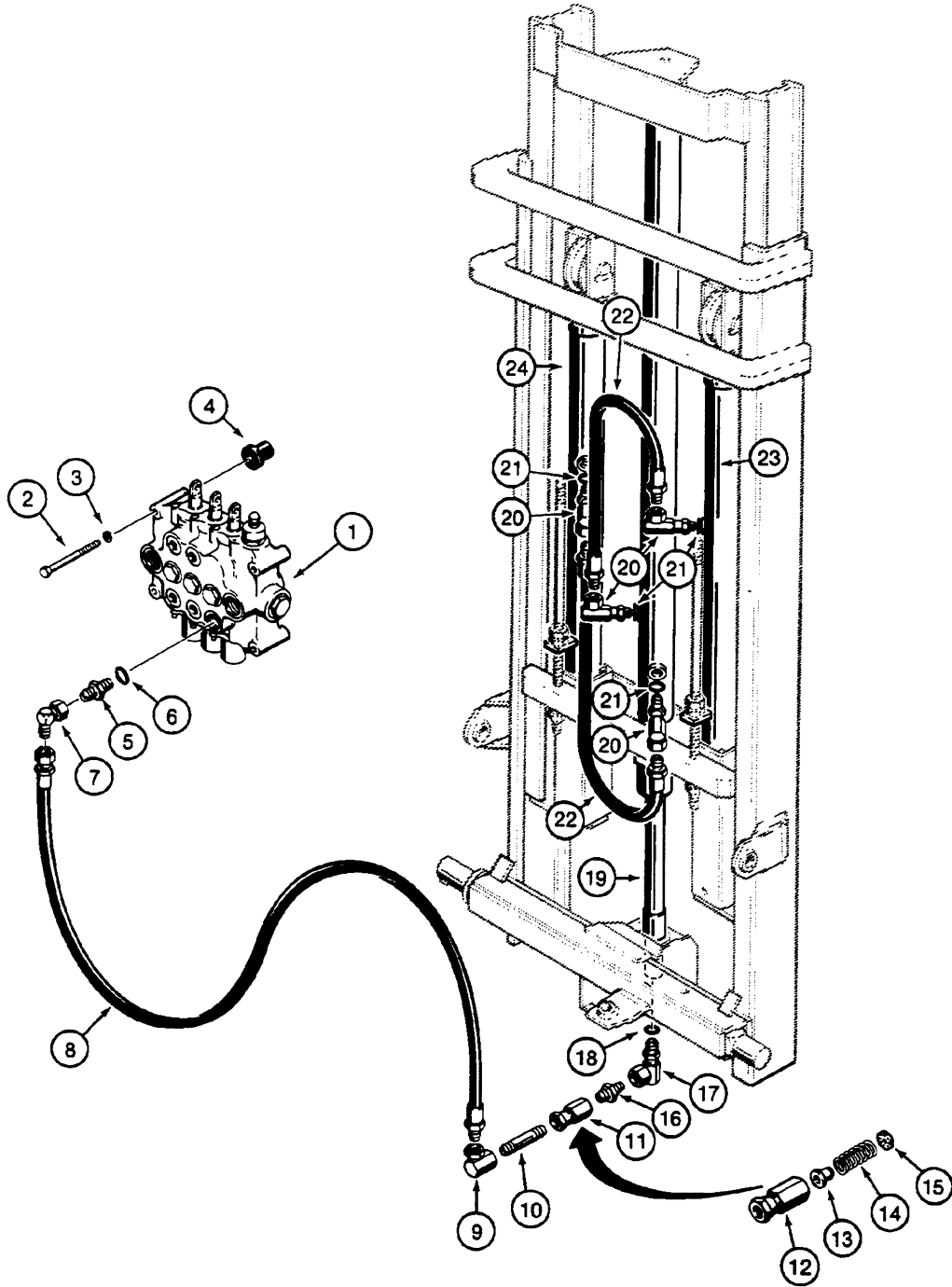


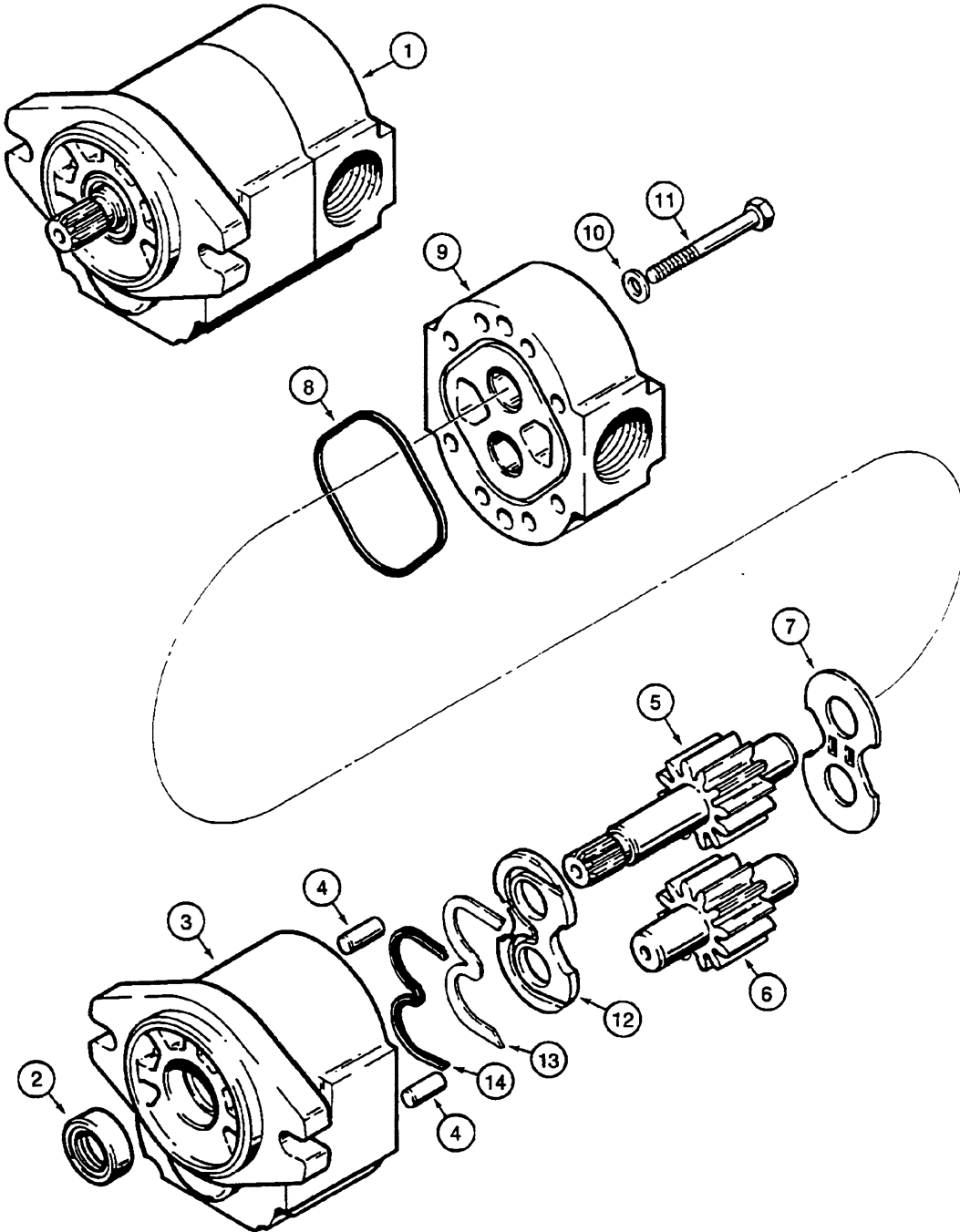


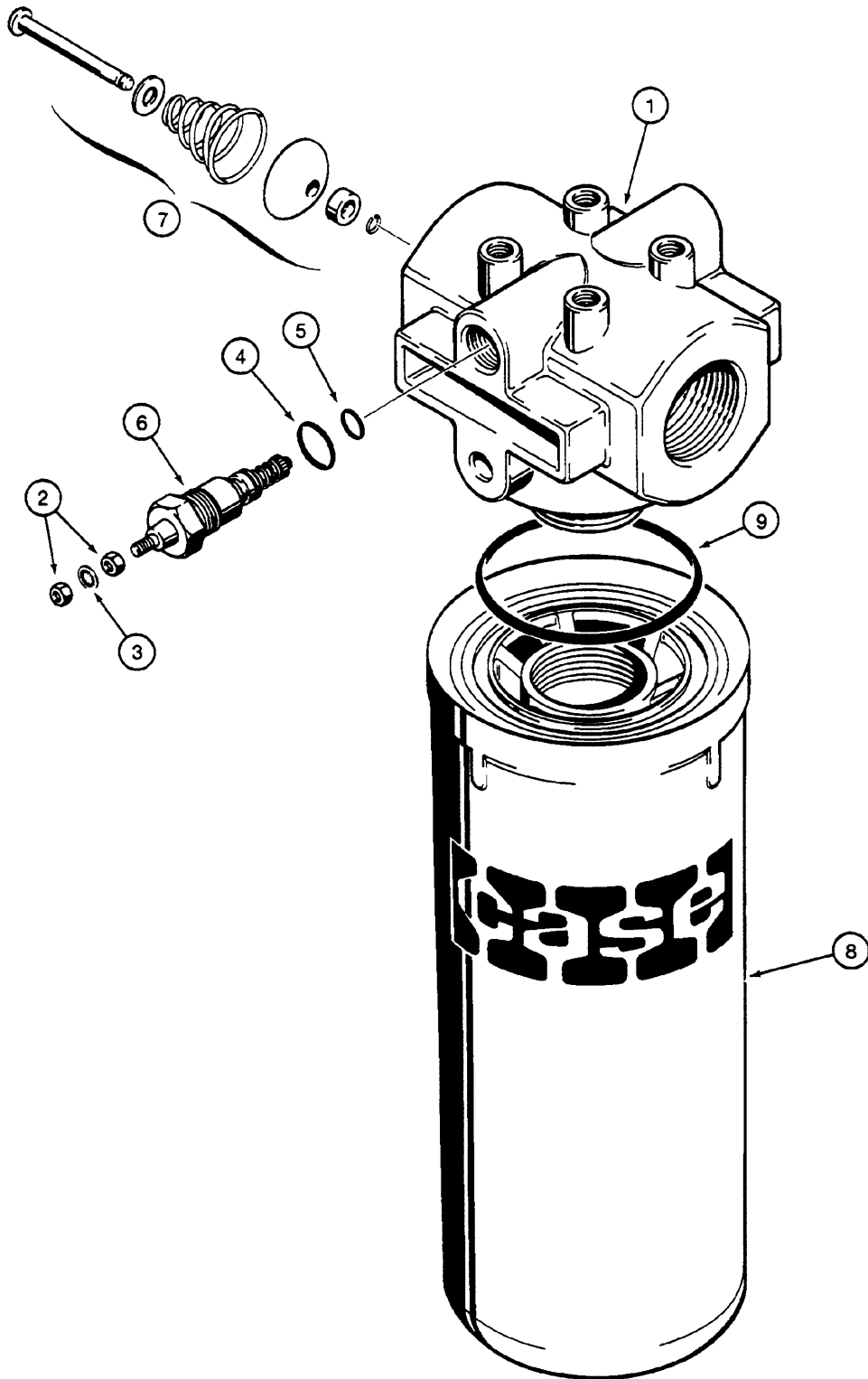


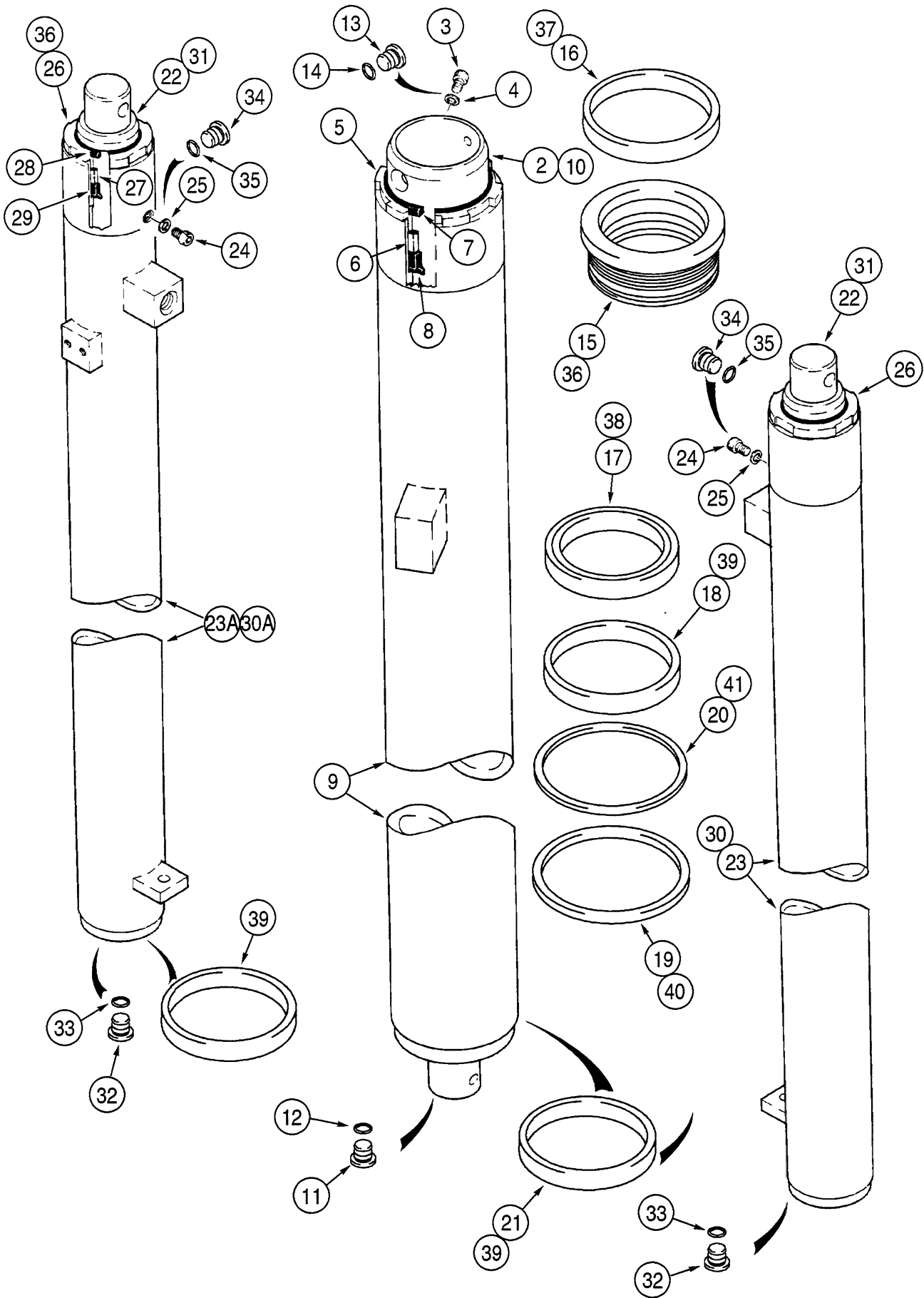




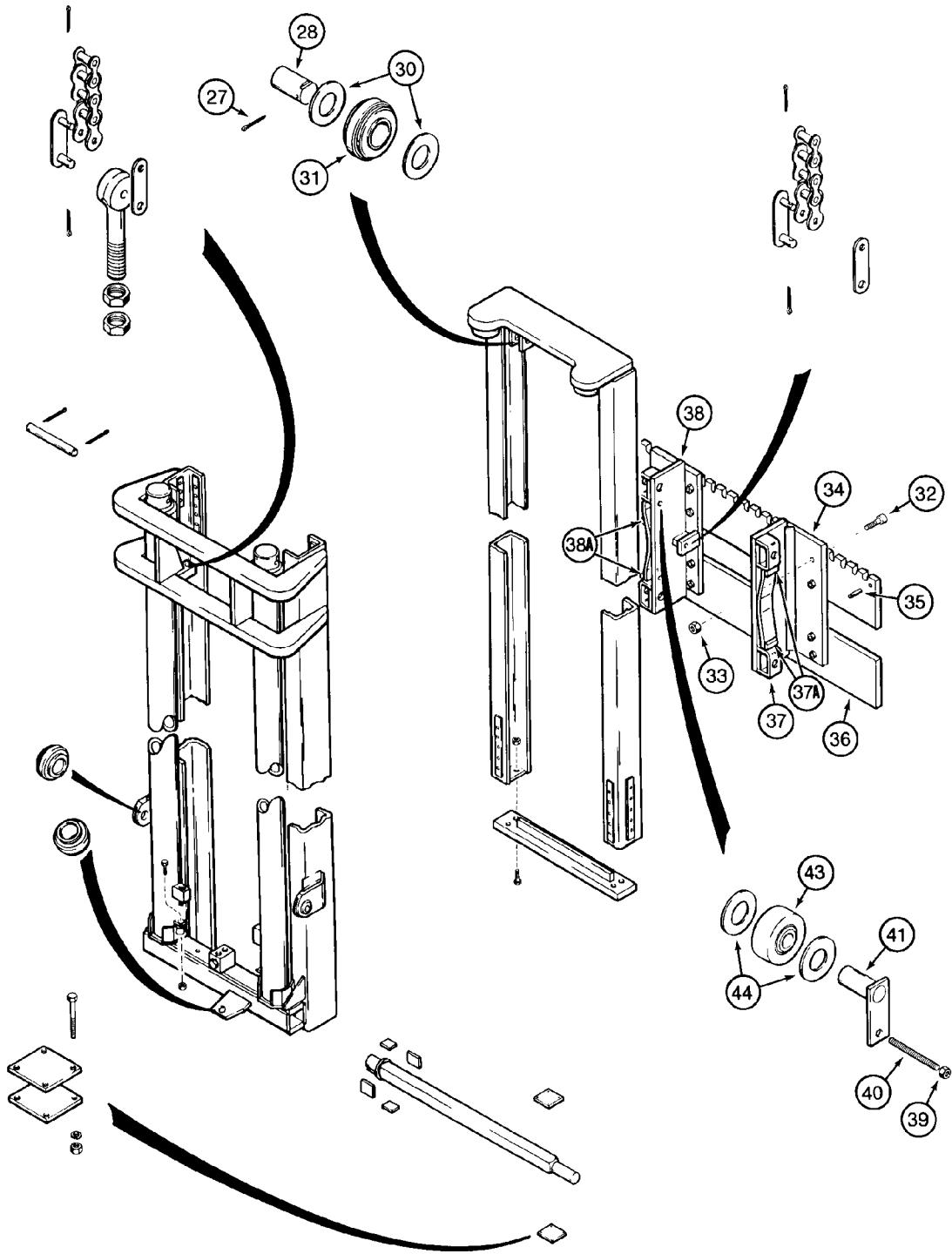


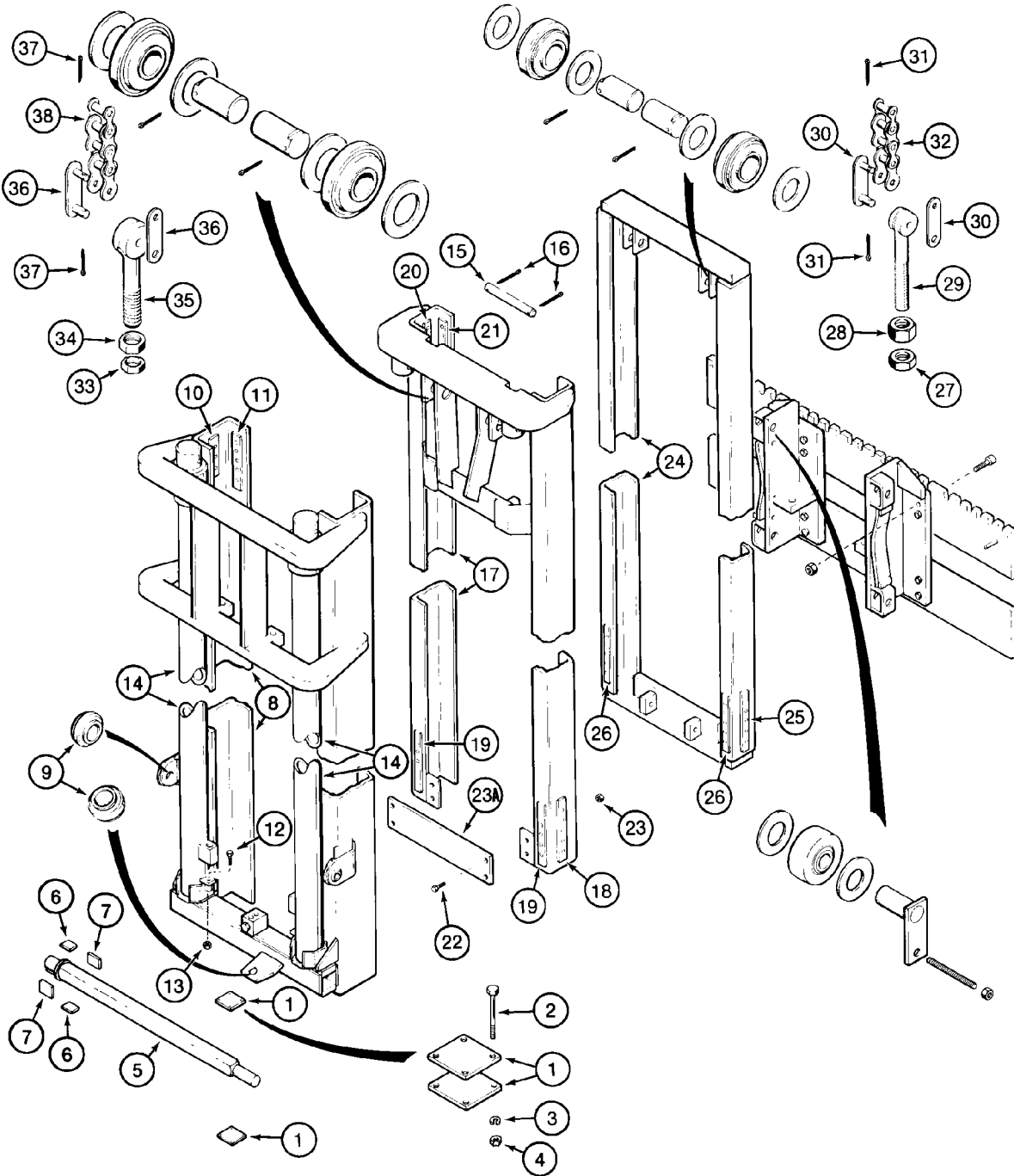


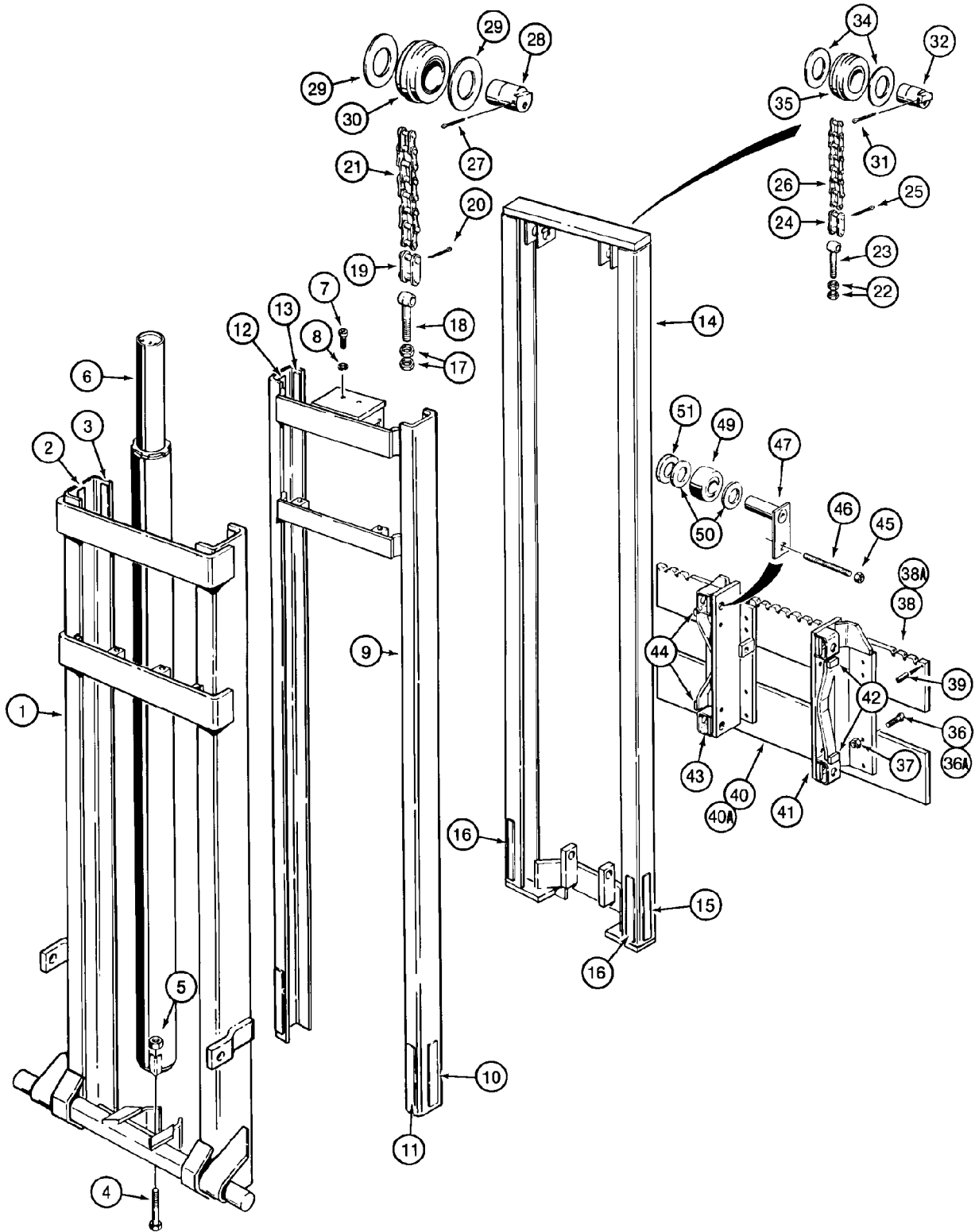


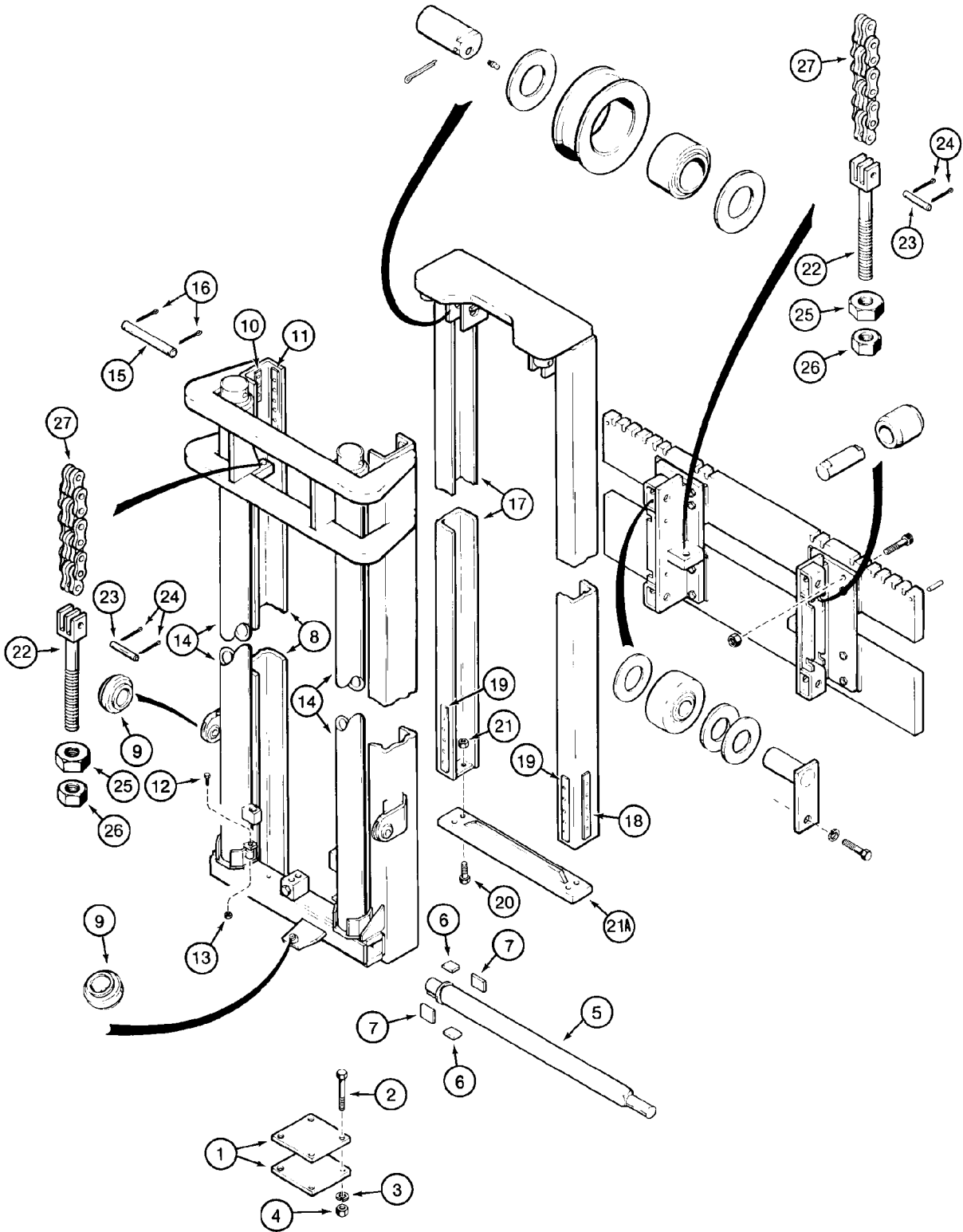


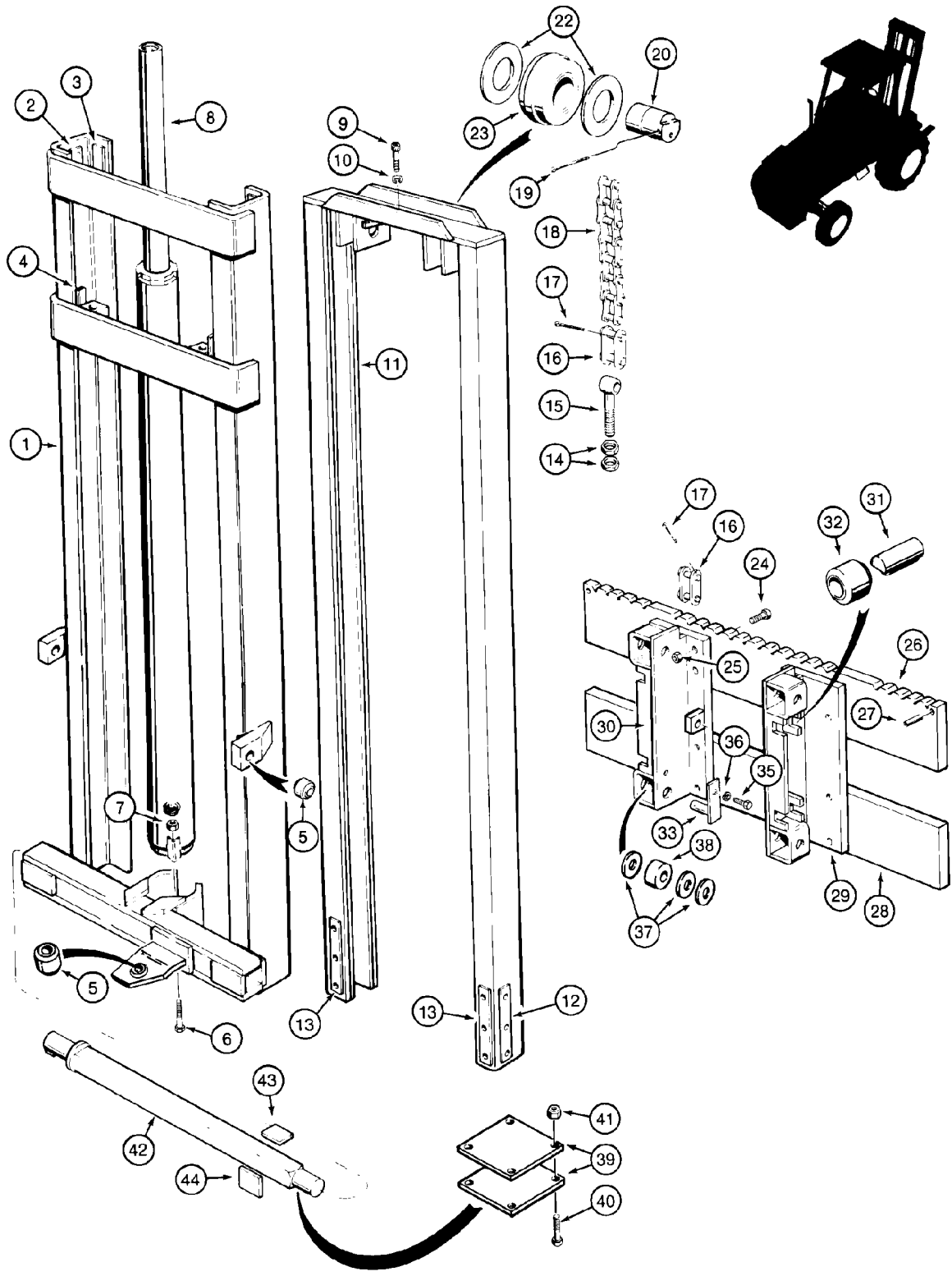


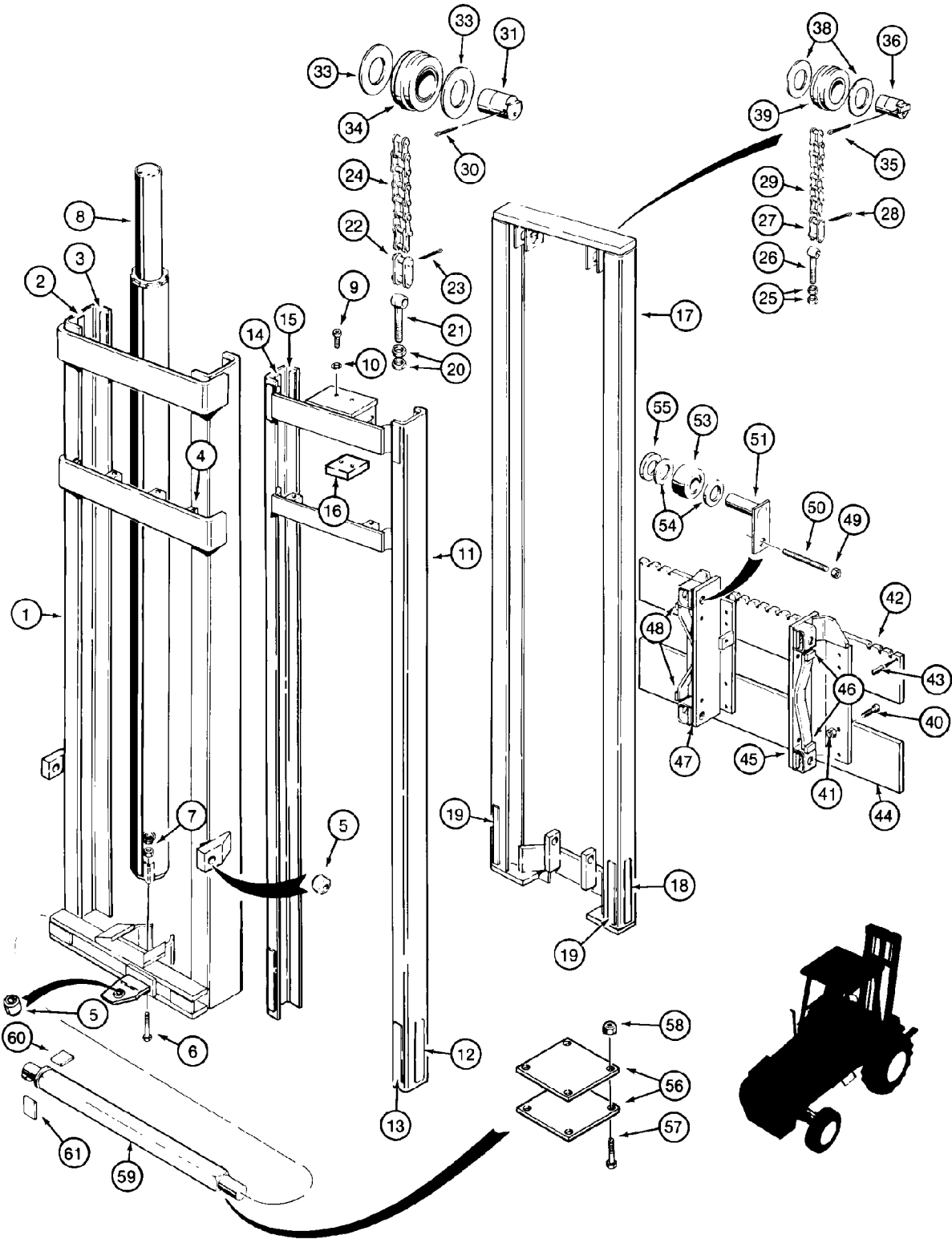


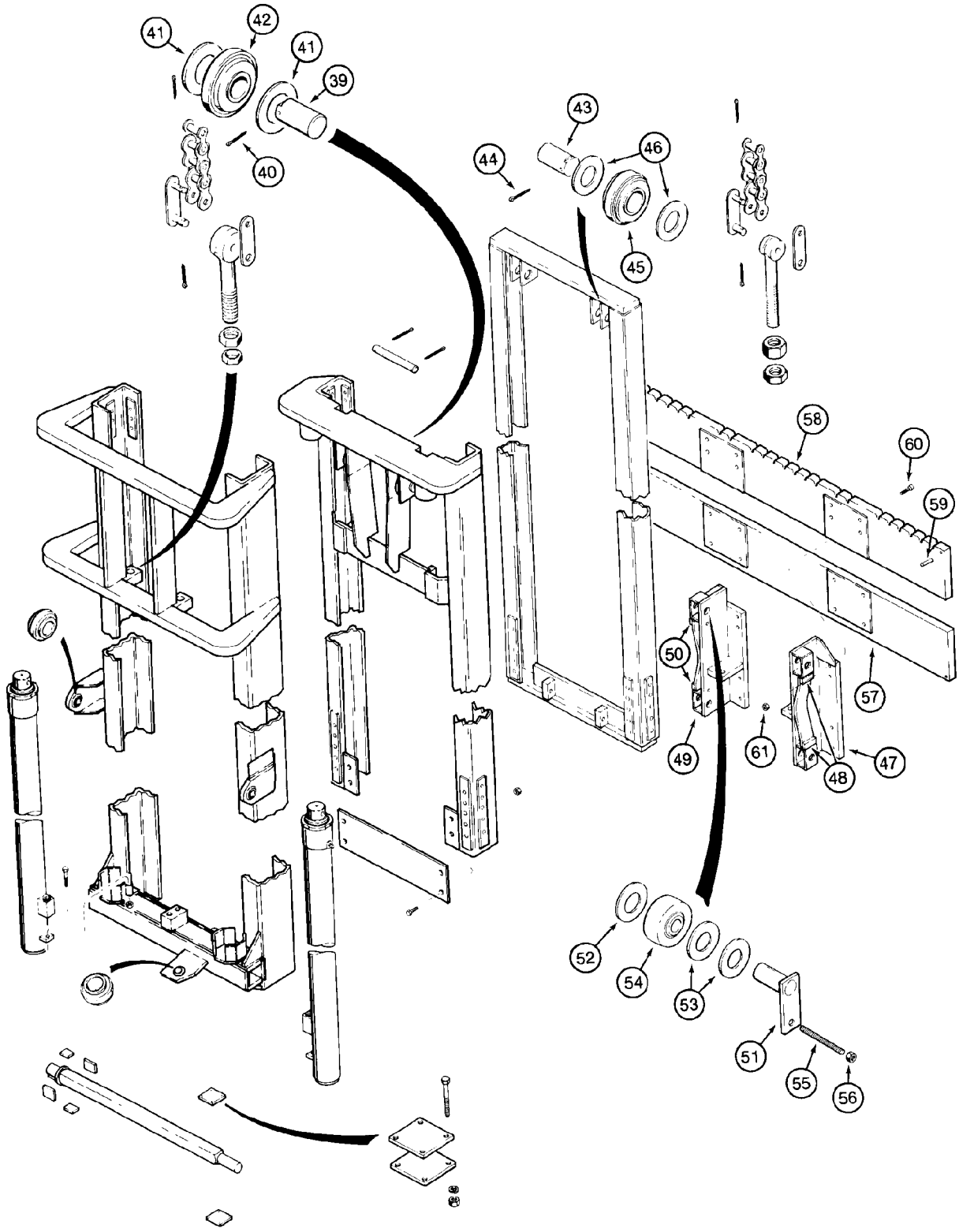


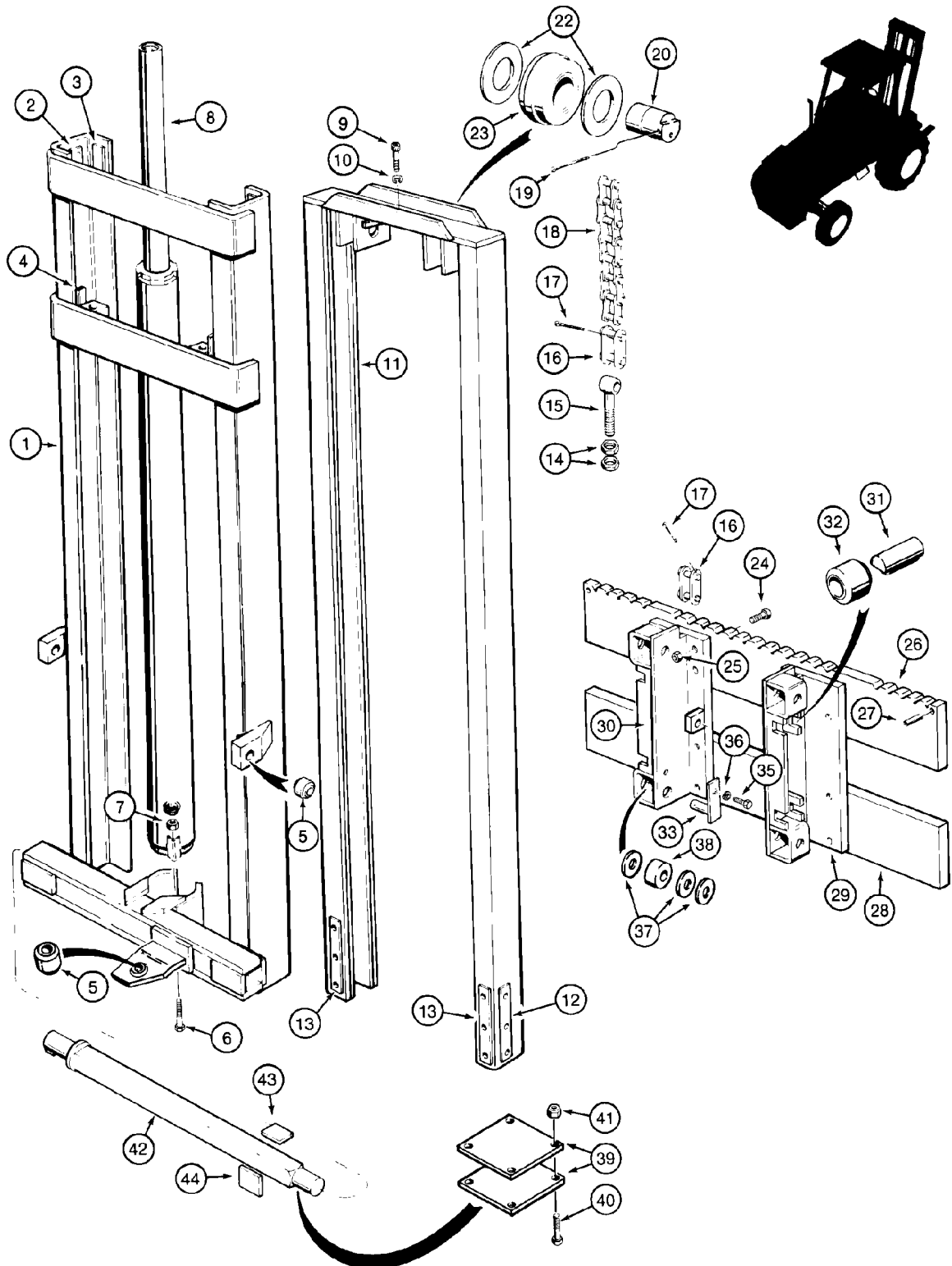


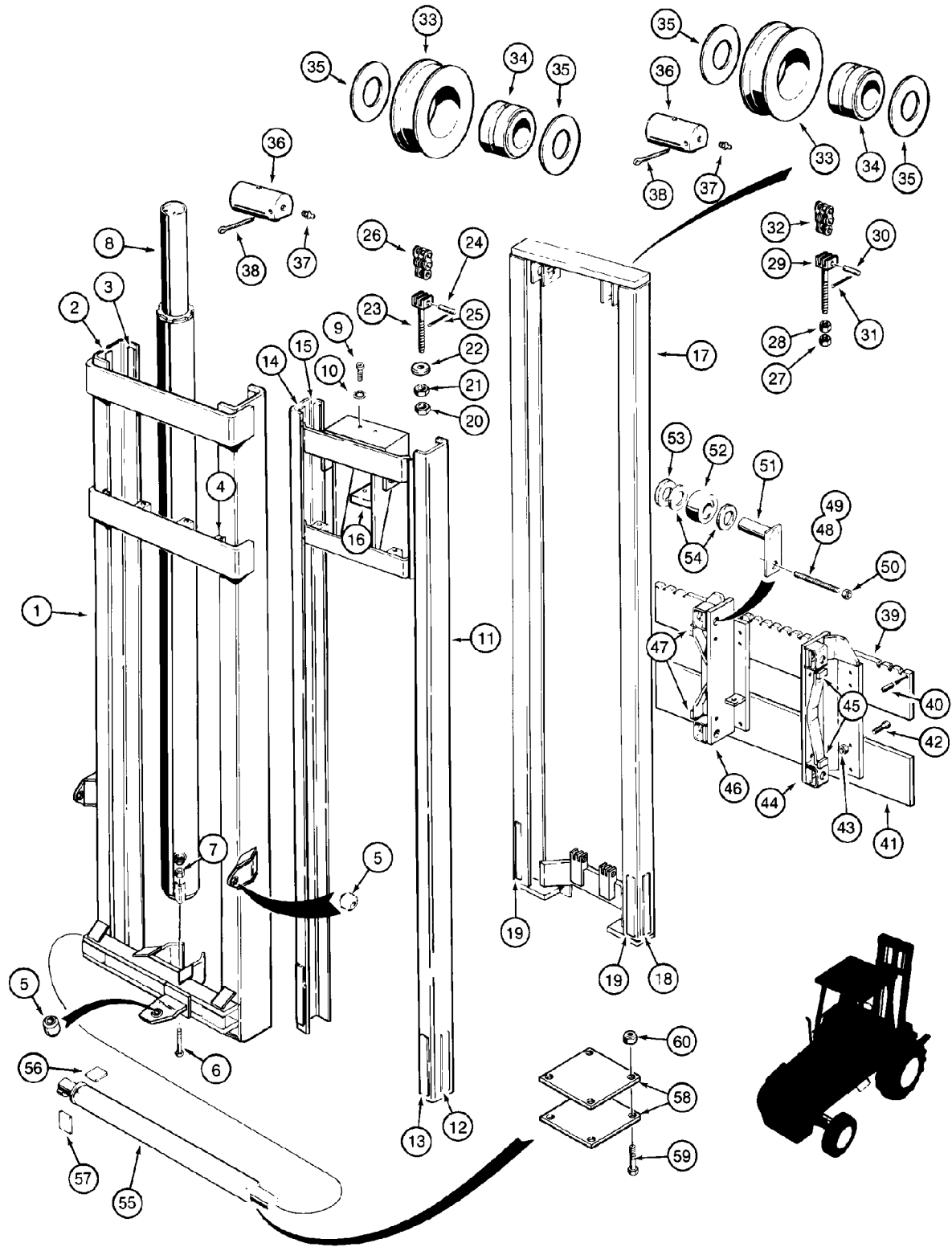


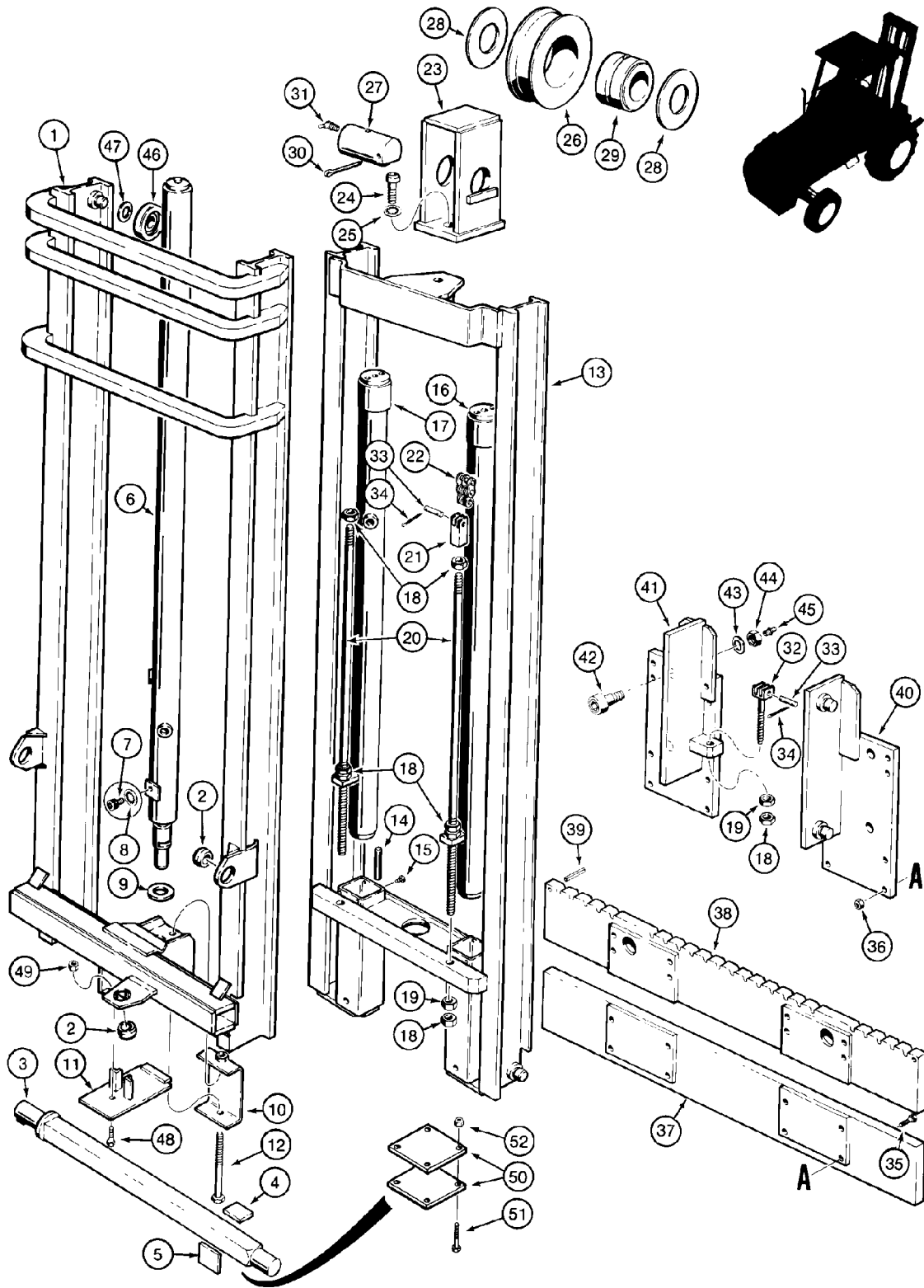


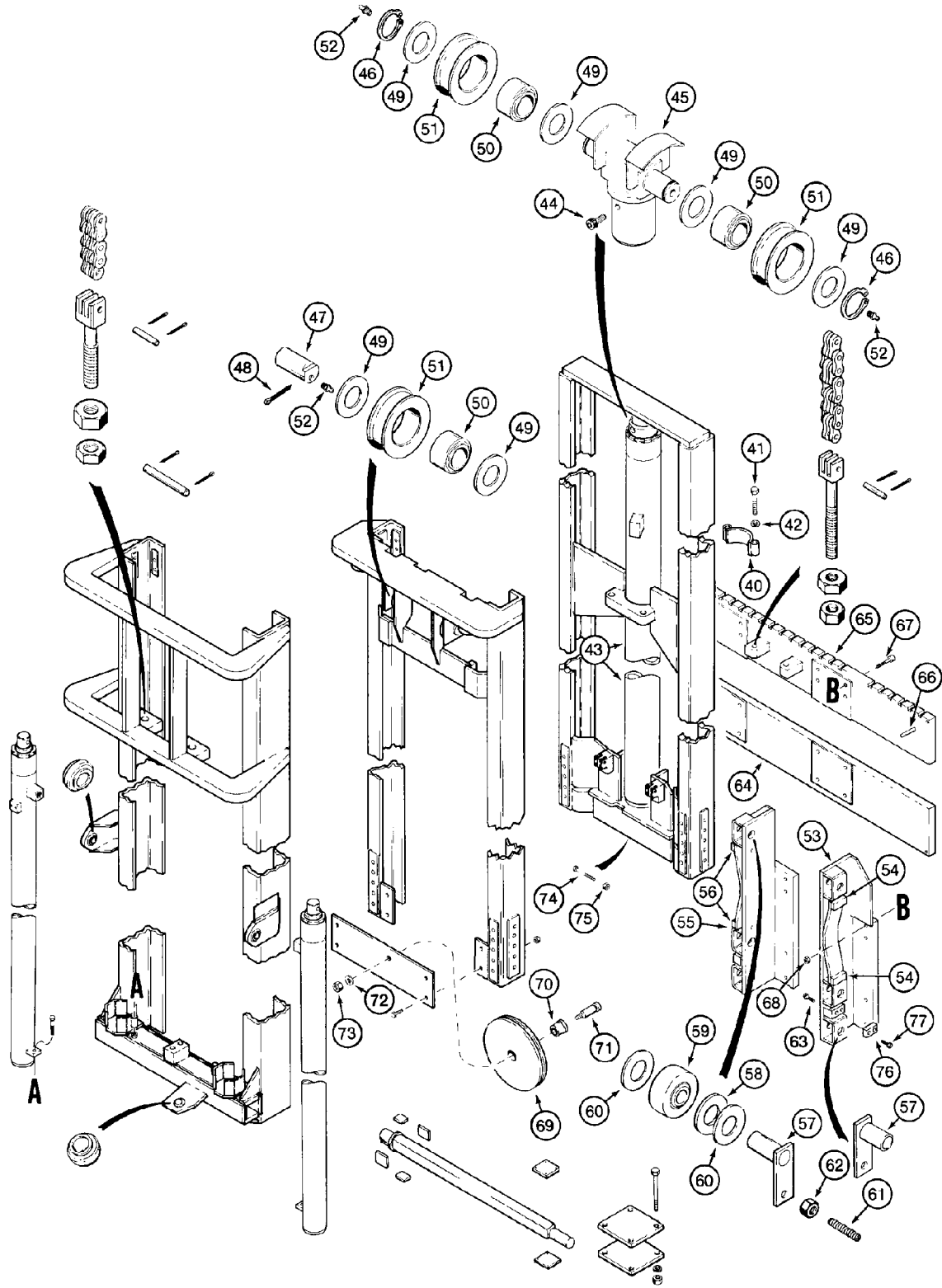


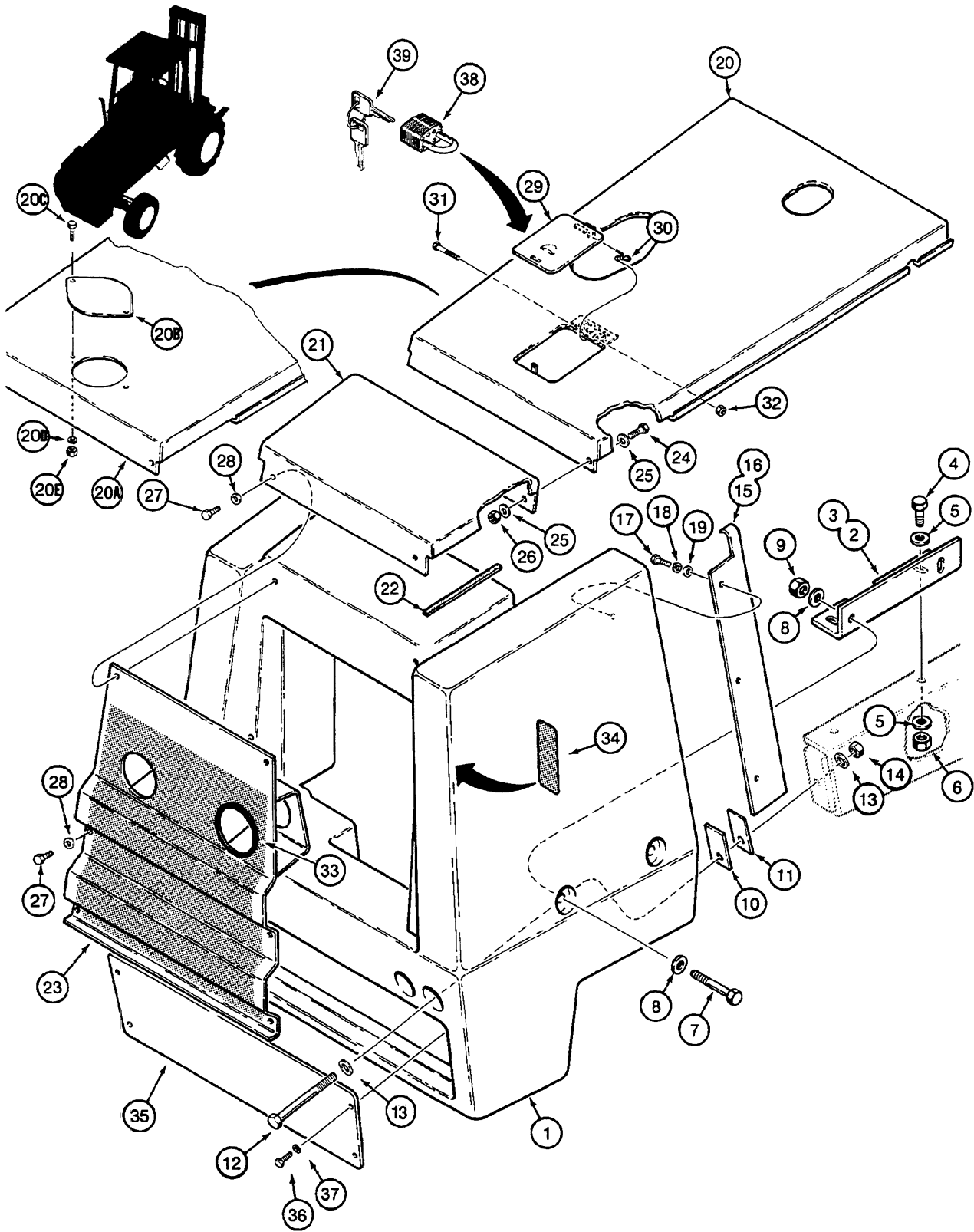


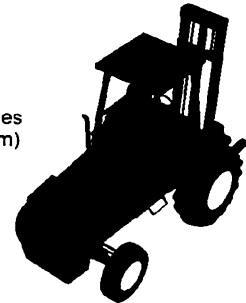
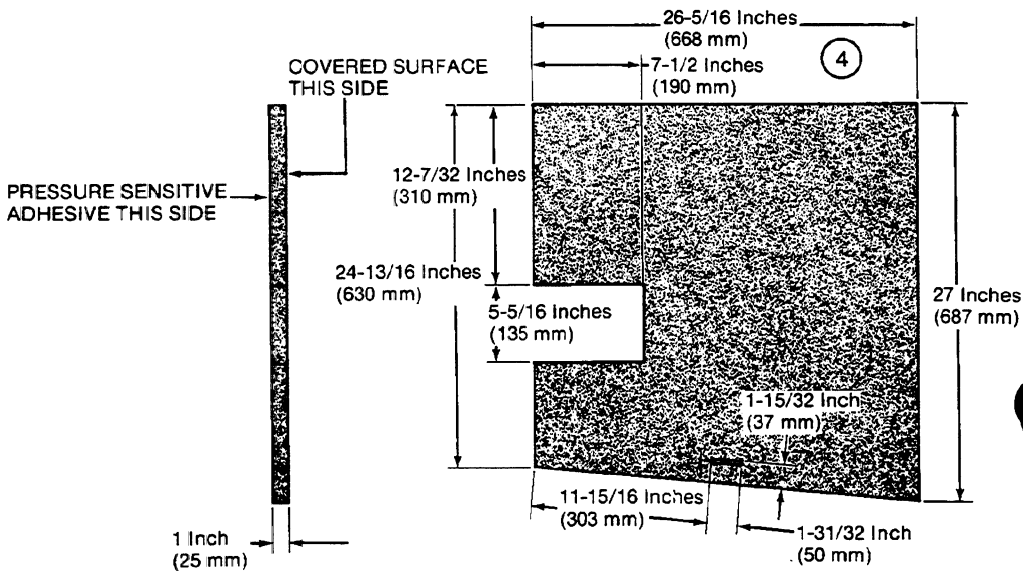
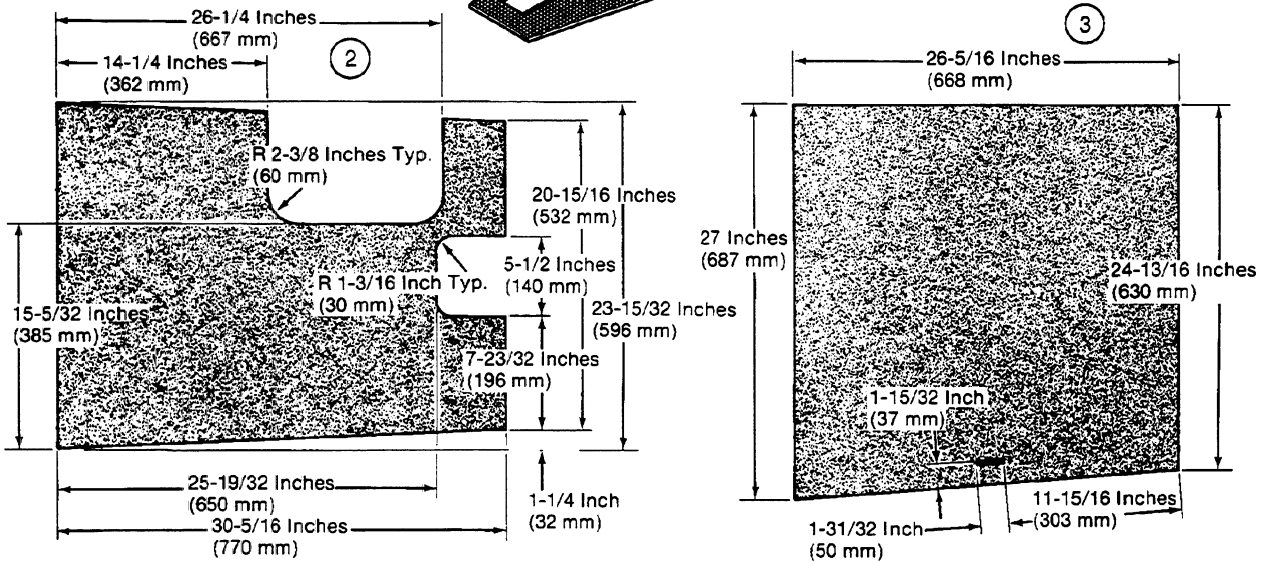
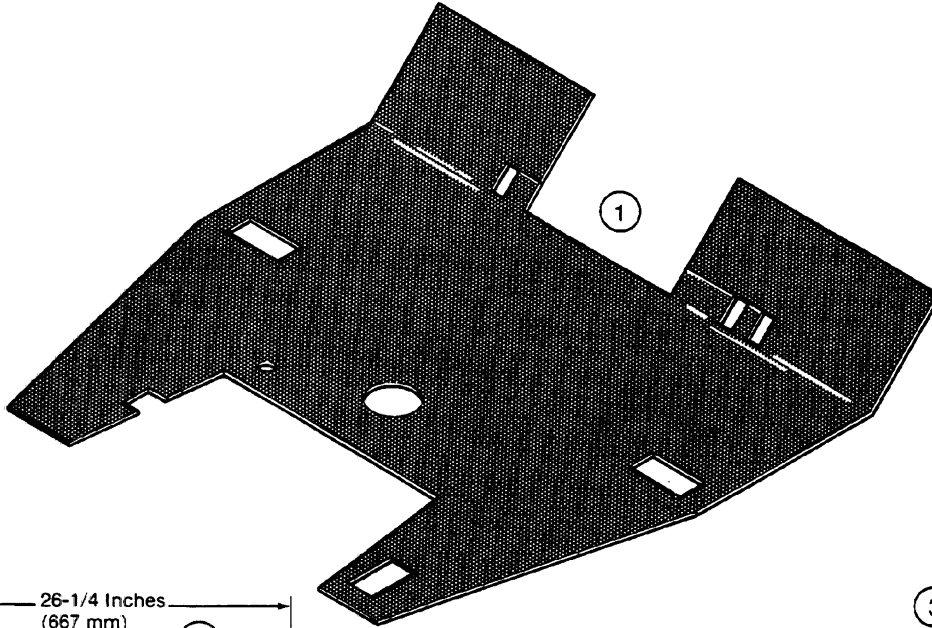


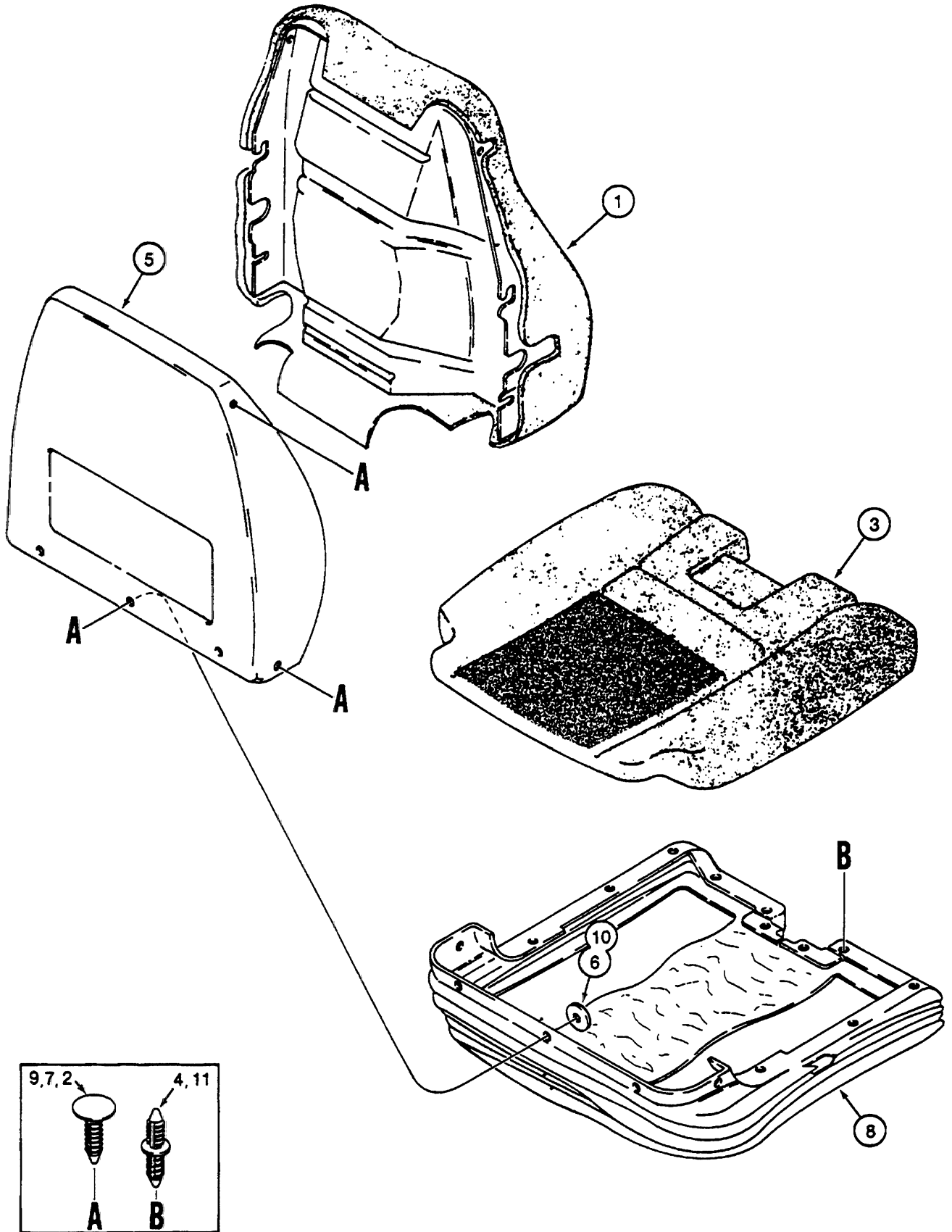












# 584E

1

4,000 LB. CAPACITY  
AT 24" LOAD CENTER

9

# 585E

2

CAPACITY AT 24" LOAD CENTER  
4,000 LB. TO 15' 2,500 LB. TO 21'

10

# 586E

3

CAPACITY AT 24" LOAD CENTER  
4,000 LB. TO 15' 2,500 LB. TO 21'  
1,000 LB. TO 28'

11

# CASE

4

5,000 LB. CAPACITY  
AT 24" LOAD CENTER

12

# CASE

5

CAPACITY AT 24" LOAD CENTER  
5,000 LB. TO 12' 4,000 LB. TO 15'  
2,500 LB. TO 21'

13

# CASE

6

6,000 LB. CAPACITY  
AT 24" LOAD CENTER

14

# construction king

7

# Construction King

7A

CAPACITY AT 24" LOAD CENTER  
6,000 LB. TO 12' 4,000 LB. TO 15'  
2,500 LB. TO 21'

15

ETHER STARTING AID

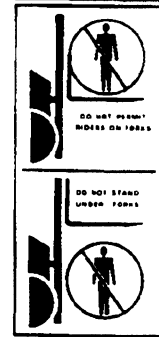
8

6,000 LB. CAPACITY AT 24" LOAD CENTER

16

**WARNING**

FAILURE TO FOLLOW THIS WARNING CAN RESULT IN INJURY OR DEATH



18

**WARNING**

EXTENDED FORWARD TILT IS POSSIBLE  
TILT FORWARD WITH EXTREME CAUTION

19

**WARNING**

ALWAYS CARRY LOAD IN DOWN  
POSITION WHEN IN TRANSIT

20

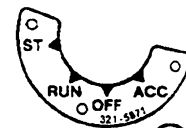
**WARNING**

MOVE TRUCK WITH EXTREME CAUTION  
WHEN LOAD IS ELEVATED

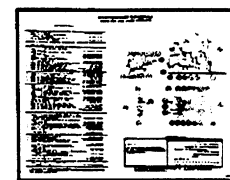
21

HORN

22



23



24

**WARNING** MOVE TRUCK WITH EXTREME CAUTION WHEN LOAD IS ELEVATED EXTENDED FORWARD TILT IS POSSIBLE TILT FORWARD WITH EXTREME CAUTION ALWAYS CARRY LOAD IN DOWN POSITION WHEN IN TRANSIT

17

## NUMERICAL INDEX

PART NO.	PAGE REF.	PART NO.	PAGE REF.	PART NO.	PAGE REF.
A182740	7-7 13	A27117	6-75 25	A47130	4-7D 38
A182740	7-9 10	A27118	6-75 25	A47179	4-29 15
A182760	6-59 1	A27119	6-75 25	A47179	4-33 3
A182760	6-61 1	A27579	6-79 18	A47230	4-7
A182761	6-73 1	A27602	5-17 19	A47230	4-7D
A182762	6-73 1	A28230	5-15 12	A47232	4-5 16
A182777	6-79 11	A29060	6-63 17	A47232	4-7B 16
A182778	6-79 12	A29540	6-61 6	A47233	4-5 17
A182779	7-7	A29540	6-75 18	A47233	4-7B 17
A182779	7-9	A29717	6-59 12	A47234	4-5 18
A182790	6-79 23	A29964	6-79 9	A47234	4-7B 18
A184079	2-5 26A	A29966	6-79 10	A47235	4-5 19
A184372	2-5 26	A29971	6-65 31	A47235	4-7B 19
A184467	2-5 43	A30013	8-3 16	A47236	4-5 20
A184545	2-5B 30	A30075	6-73 16	A47236	4-7B 20
A186125	4-3	A31234	6-75 24	A47237	4-7 33
A186182	4-3 26	A33976	4-21 24	A47237	4-7D 33
A186182	4-3B 24	A33977	4-21 25	A47238	4-7 34
A186183	4-3 25	A33977	4-27 6	A47238	4-7D 34
A186183	4-3B 18	A35767	6-79 2	A47239	4-7 31
A186184	4-3 20	A38208	5-19 5	A47239	4-7D 31
A186185	4-3 19	A38208	5-21 7	A47240	4-5
A186186	4-3 18	A38208	5-23 4	A47240	4-7B
A186186	4-3B 15	A38208	6-25 12	A47241	4-5 27
A186187	4-3 3	A38208	6-27 18	A47241	4-7B 27
A186188	4-3 15	A38261	5-21 3	A47242	4-7 28
A186189	4-3 4	A38261	5-21 6	A47242	4-7D 28
A186192	4-3 16	A39105	6-59 18	A47243	4-5
A186193	4-3 28	A39105	6-61 18	A47243	4-7B
A186193	4-3B 25	A40962	5-13 2	A47244	4-7 35
A186194	4-3 7	A40962	5-13B 2	A47244	4-7D 35
A186195	4-3 9	A41264	4-31 14	A47247	4-7 30
A186196	4-3 11	A41424	5-13 3	A47247	4-7D 30
A186197	4-3 14	A41424	5-13B 3	A47249	4-7 32
A187504	4-3B 13	A41852	3-11B 14	A47249	4-7D 32
A187873	4-3B	A41860	7-3 17	A47688	4-23 6
A187899	4-3B 12	A41865	7-3 19	A47688	4-25 6
A187901	4-3B 17	A42801	7-3 20	A47719	7-3 22
A187903	4-3B 1	A44641	5-13 11	A48186	3-13
A187904	4-3B 9	A44641	5-13B 11	A48201	3-13 11
A187906	4-3B 2	A44651	5-13 14	A48949	7-3
A187917	4-3B 11	A44651	5-13B 13	A48952	7-3 23
A187965	4-25	A45007	4-23 3	A49841	7-5 9
A190656	2-5 44	A45007	4-25 3	A50237	6-25 3
A20058	5-23 2	A45035	5-13 20	A50237	6-27 7
A20058	5-23 2	A45035	5-13B 16	A51527	6-65 7
A21561X	3-3	A45093	4-23 13	A51527	6-77 2
A21561X	7-13	A45093	4-25 13	A51948	6-79 21
A21571X	9-101	A45216	8-3 12	A51951	6-79 8
A21571X	9-105	A45568	6-65 22	A51959	6-67 13
A22349	4-17B 27	A46948	4-5 2	A51960	6-67 11
A22349	4-19B 31	A46948	4-7B 2	A51961	6-67 9
A23885	6-25 16	A46949	4-5 3	A51964	6-63 14
A23885	6-27 19	A46950	4-7D 39	A52256	7-7 9
A25213	4-33 2	A47123	4-23 16	A52256	7-9 6
A26836	6-25 20	A47123	4-25 16	A52257	7-7 19
A26836	6-27 23	A47125	4-23 17	A52257	7-9 15
A26946	6-65 14	A47125	4-25 17	A52259	7-7 20
A26956	6-25 19	A47127	4-5 13	A52259	7-9 16
A26956	6-27 22	A47127	4-7B 13	A52260	7-7 22
A27080	5-13	A47128	4-7B 10	A52260	7-9 18
A27080	5-13B	A47129	4-7D 36	A52261	7-7 12
A27116	6-75 25	A47130	4-7 38	A52261	7-9 9

## NUMERICAL INDEX

PART NO.	PAGE	REF.	PART NO.	PAGE	REF.	PART NO.	PAGE	REF.
D87486	9-153	15	D93751	9-125	7	G32093	8-45	15
D87870	9-123	34	D93751	9-127B	20	G32122	8-43	9
D87870	9-151	42	D93751	9-131	24	G32122	8-43	28
D87870	9-155	35	D93753	9-117	20	G32122	8-45	8
D88053	4-27	15	D93753	9-119	20	G32122	8-45	27
D88060	4-39	13	D93753	9-123	38	G32317	8-43	22
D88491	5-17	25	D93753	9-125	6	G32317	8-45	20
D88492	5-17	26	D93753	9-127B	19	G34196	8-43	1
D88684	4-33		D93753	9-131	23	G34197	8-43	1
D88745	9-5	1	D93757	3-3	2	G34198	8-43	2
D88745	9-9	1	D93757	3-3B	2	G34199	8-43	2
D88745	9-13	1	D93915	9-117	11	G34202	8-43	15
D88745	9-19	56	D93915	9-119	12	G34262	8-43	12
D88745	9-21	1	D94060	8-5	52	G34262	8-45	12
D88745	9-25	1	D95096	6-21	14	G46078	6-65	23
D88745	9-35	39	D95096	9-3	13	G47039	6-63	19
D88745	9-37	1	D95141	8-43	5	H275784	2-11	18
D88745	9-41	1	D95141	8-43	27	H313981	8-21	28
D88745	9-45	1	D95141	8-45	5	H400184	7-13	
D88745	9-51	39	D95141	8-45	26	H422758	4-23	18
D88745	9-53	1	D95781	4-17B	25	H422758	4-25	18
D88745	9-57	1	D95781	4-19B	29	H422766	4-23	19
D88745	9-63	56	D95782	4-21	13	H422766	4-25	19
D88745	9-65	1	D95783	4-21	12	H422774	4-23	2
D88745	9-69	1	D99461	4-11		H422774	4-25	2
D88745	9-77	1	D99461	4-39		H437677	6-53B	9
D88745	9-83	39	E43051	6-43	28	H437679	6-53B	4
D88745	9-87	39	F10142	4-11	13	H438265	9-137	4
D88745	9-91	58	F13855	6-21	7	H54890	9-125	4
D88745	9-93	1	F19646	5-3	3	H747964	6-13	4
D88745	9-97	1	F42236	9-131	6	J280911	2-29B	11
D88745	9-103	50	F42827	9-123		J283333	2-27B	2
D88745	9-107	52	F62105	6-73	15	J283333	2-35D	47
D88745	9-109	1	F64936	6-25	36	J283336	2-27B	2
D89341	6-31	4	F64936	6-29	39	J283338	2-27B	2
D89609	9-129		F64936	7-5	32	J283767	2-33	28
D89845	7-11	12	F64936	7-15	41	J283767	2-35D	23
D90883	8-3	11	F7356	6-75	34	J283767	2-43	24
D90994	9-85		G100449	8-43	18	J283767	2-47	8
D90994	9-87		G100775	8-43	6	J330478	2-35B	17D
D91097	6-21	6	G102569	8-43	7	J678912	2-35B	17B
D91352	4-21	7	G10340	6-65	7	J678921	2-35B	17A
D91631	9-115	1	G10340	6-77	2	J678923	2-35B	16
D91631	9-115	8	G10341	6-65	7	J802358	2-17B	
D91631	9-115	16	G10341	6-77	2	J802998	3-11B	
D92099	5-13	1A	G104106	8-43	16	J804930	2-41B	
D92228	2-3		G10415	6-73	12	J804931	2-41B	
D92400	9-123	23	G104244	8-43		J804932	2-41B	
D92446	9-123	29	G10447	6-61	19	J804940	2-35D	44
D92446	9-125	8	G10616	6-65	32	J804940	2-37D	11
D92797	9-121	1	G10710	6-59	12	J804980	2-35D	41
D92940	9-121	15	G109092	8-43	4	J804980	2-41B	
D92941	9-121	16	G109092	8-45	7	J804981	2-41B	
D92942	9-121	21	G13609	5-11	26	J804982	2-41B	
D93241	4-29	14	G13609	5-11B	26	J823921	2-45	13
D93246	8-33		G13609	5-11D	26	J897331	3-9	1
D93351	3-3	4	G13801	6-73	6	J900068	2-33	4
D93351	3-3B	4	G13822	6-73	7	J900068	2-33	19
D93480	9-121	22	G15208	6-73	11	J900068	2-35B	3
D93704	8-9	37	G15215	5-19	9	J900068	2-35B	15
D93751	9-117	21	G15468	6-63	6	J900227	2-17	4
D93751	9-119	21	G32034	8-43	20	J900227	2-17B	4
D93751	9-123	39	G32091	8-45	17	J900227	2-31	6

CLICK HERE TO **DOWNLOAD** THE COMPLETE MANUAL

- Thank you very much for reading the preview of the manual.
- You can download the complete manual from: [www.heydownloads.com](http://www.heydownloads.com) by clicking the link below



- Please note: If there is no response to CLICKING the link, please download this PDF first and then click on it.

CLICK HERE TO **DOWNLOAD** THE COMPLETE MANUAL