

All rights reserved by **CNHi**.

The information contained in this catalogue is intended to be of a general nature only. **CNHi** may at any time and from time to time, for technical or other necessary reasons, modify any of the details or specifications of the product described in this catalogue.

To be sure of getting accurate, detailed and up-to-date information, an intending buyer should consult his nearest **CNHi** dealer or distributor.

Single item numeration method used in this catalogue may not be used without written consent from **CNHi**.

CLICK HERE TO **DOWNLOAD** THE COMPLETE MANUAL

- Thank you very much for reading the preview of the manual.
- You can download the complete manual from: [www.heydownloads.com](http://www.heydownloads.com) by clicking the link below



- Please note: If there is no response to CLICKING the link, please download this PDF first and then click on it.

CLICK HERE TO **DOWNLOAD** THE COMPLETE MANUAL

---

## TABLE OF CONTENTS

---

88.035.61	09	DIA KIT, NO AUX TO COMBO AUX, MECHANICAL CONTROLS, STANDARD
88.035.61	10	DIA KIT, NO AUX TO COMBO AUX, MECHANICAL CONTROLS, STANDARD
88.035.61	11	DIA KIT, NO AUX TO COMBO AUX, MECHANICAL CONTROLS, STANDARD
88.035.61	12	DIA KIT, NO AUX TO COMBO AUX, MECHANICAL CONTROLS, STANDARD
88.035.61	13	DIA KIT, NO AUX TO COMBO AUX, MECHANICAL CONTROLS, STANDARD
88.035.62	01	DIA KIT, 3 SPOOL VALVE SECTIONS, TIE RODS
88.035.62	02	DIA KIT, 3 SPOOL VALVE SECTIONS, TIE RODS
88.035.63	01	DIA KIT, UNI DIR. MECHANICAL CONTROL STD DIPPER
88.035.63	02	DIA KIT, UNI DIR. MECHANICAL CONTROL STD DIPPER
88.035.63	03	DIA KIT, UNI DIR. MECHANICAL CONTROL STD DIPPER
88.035.63	04	DIA KIT, UNI DIR. MECHANICAL CONTROL STD DIPPER
88.035.63	05	DIA KIT, UNI DIR. MECHANICAL CONTROL STD DIPPER
88.035.63	06	DIA KIT, UNI DIR. MECHANICAL CONTROL STD DIPPER
88.035.63	07	DIA KIT, UNI DIR. MECHANICAL CONTROL STD DIPPER
88.035.63	08	DIA KIT, UNI DIR. MECHANICAL CONTROL STD DIPPER
88.035.63	09	DIA KIT, UNI DIR. MECHANICAL CONTROL STD DIPPER
88.035.63	10	DIA KIT, UNI DIR. MECHANICAL CONTROL STD DIPPER
88.035.64	01	DIA KIT, UNI DIR. MECHANICAL CONTROL, EXTENDABLE HOE
88.035.64	02	DIA KIT, UNI DIR. MECHANICAL CONTROL, EXTENDABLE HOE
88.035.64	03	DIA KIT, UNI DIR. MECHANICAL CONTROL, EXTENDABLE HOE
88.035.64	04	DIA KIT, UNI DIR. MECHANICAL CONTROL, EXTENDABLE HOE
88.035.64	05	DIA KIT, UNI DIR. MECHANICAL CONTROL, EXTENDABLE HOE
88.035.64	06	DIA KIT, UNI DIR. MECHANICAL CONTROL, EXTENDABLE HOE
88.035.64	07	DIA KIT, UNI DIR. MECHANICAL CONTROL, EXTENDABLE HOE
88.035.64	08	DIA KIT, UNI DIR. MECHANICAL CONTROL, EXTENDABLE HOE
88.035.64	09	DIA KIT, UNI DIR. MECHANICAL CONTROL, EXTENDABLE HOE
88.035.64	10	DIA KIT, UNI DIR. MECHANICAL CONTROL, EXTENDABLE HOE
88.035.65	01	DIA KIT, UNI DIR. MECHANICAL CONTROL, STD DIPPER
88.035.65	02	DIA KIT, UNI DIR. MECHANICAL CONTROL, STD DIPPER
88.035.65	03	DIA KIT, UNI DIR. MECHANICAL CONTROL, STD DIPPER
88.035.65	04	DIA KIT, UNI DIR. MECHANICAL CONTROL, STD DIPPER
88.035.65	05	DIA KIT, UNI DIR. MECHANICAL CONTROL, STD DIPPER
88.035.65	06	DIA KIT, UNI DIR. MECHANICAL CONTROL, STD DIPPER
88.035.65	07	DIA KIT, UNI DIR. MECHANICAL CONTROL, STD DIPPER

PICTORIAL INDEX - HYDRAULIC SYSTEM



- 35.727.01
- 35.738.02
- 35.738.03
- 35.740.02

- 35.737.05
- 35.726.24

- 35.703.0101
- 35.703.0201
- 35.738.01
- 35.740.01

- 35.726.16
- 35.726.1601
- 35.726.19 01
- 35.726.1901
- 35.726.1902
- 35.726.1903
- 35.726.20
- 35.726.30 01
- 35.726.37
- 35.726.38
- 35.726.36 01
- 35.726.61

35.701.03

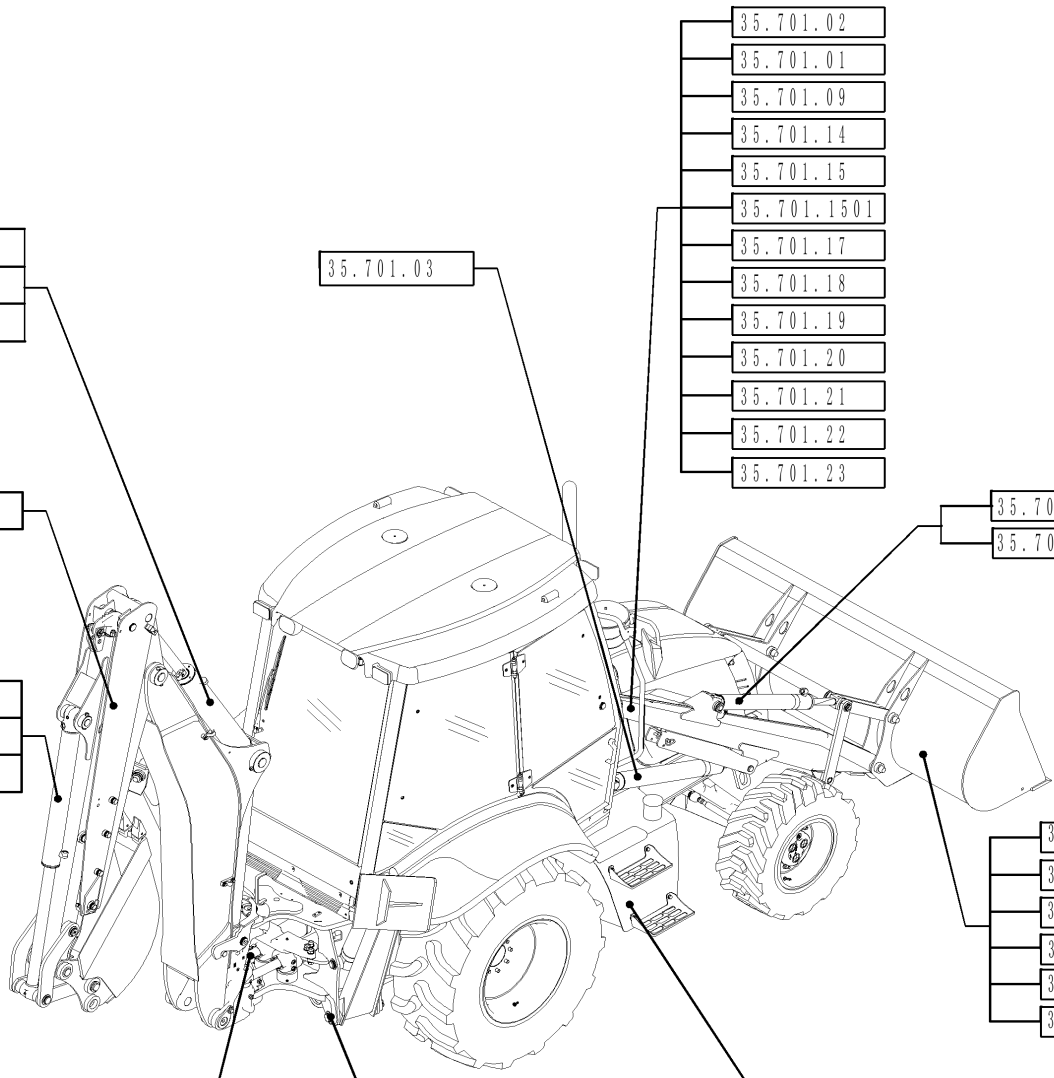
- 35.701.02
- 35.701.01
- 35.701.09
- 35.701.14
- 35.701.15
- 35.701.1501
- 35.701.17
- 35.701.18
- 35.701.19
- 35.701.20
- 35.701.21
- 35.701.22
- 35.701.23

- 35.701.11
- 35.701.1101

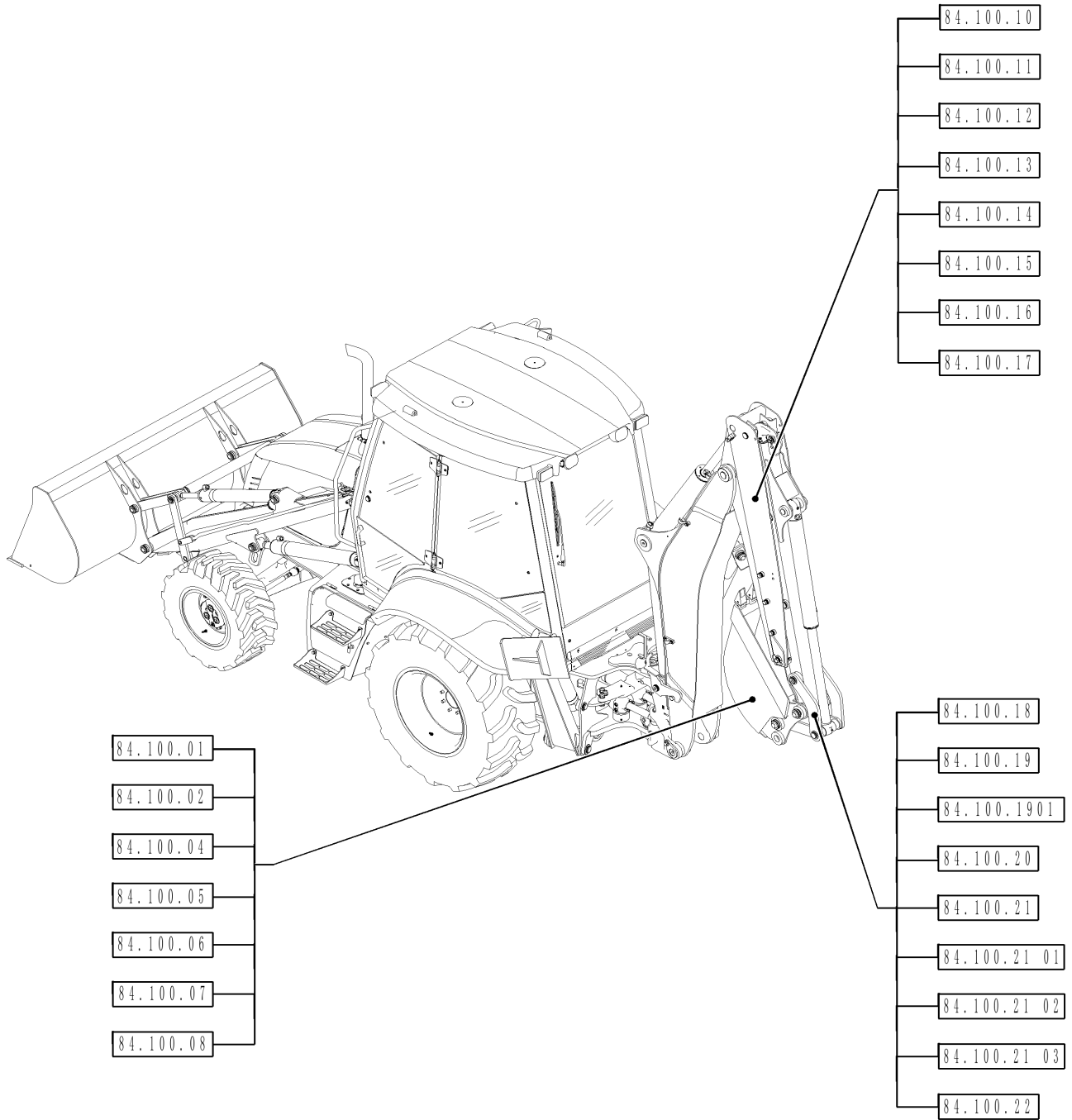
- 35.723.01
- 35.723.02
- 35.723.03
- 35.723.04
- 35.723.05
- 35.723.06

- 35.703.0301
- 35.703.0302
- 35.726.39
- 35.726.40
- 35.726.41
- 35.726.42
- 35.726.43
- 35.726.44

- 35.300.05
- 35.300.01



PICTORIAL INDEX - BACKHOE



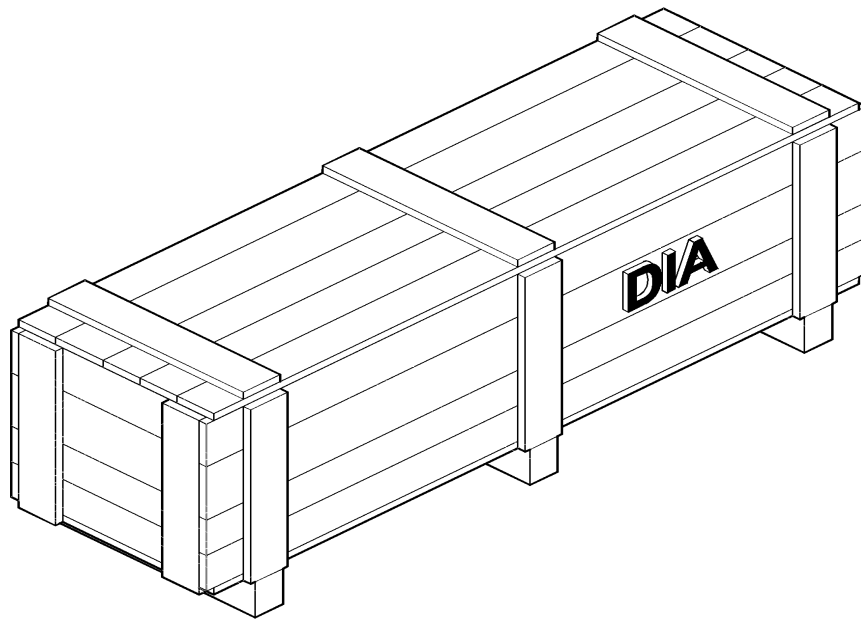
**00.500.01**

01

p6

9/2020

DIA KIT



DIA KITS are valid for Model 580N only

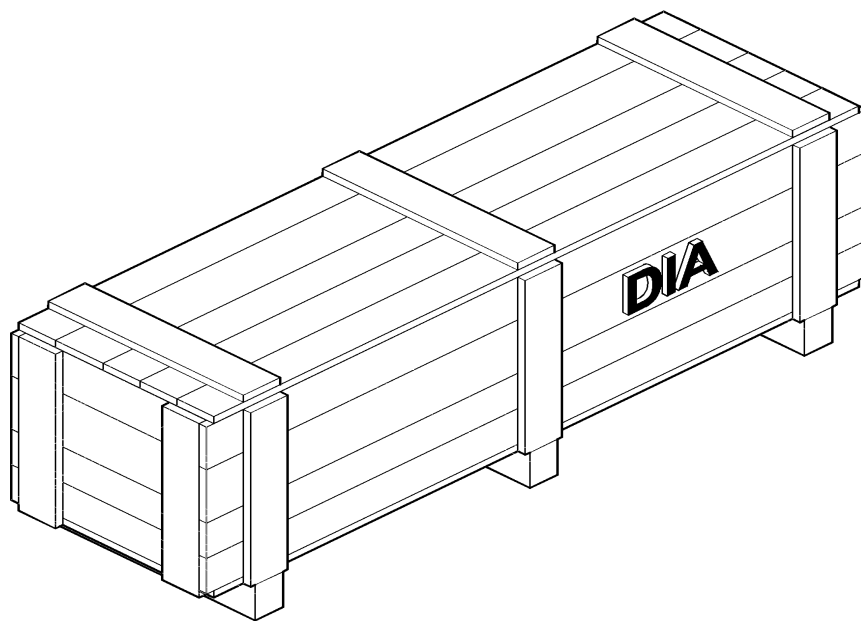
**00.500.01**

04

p4

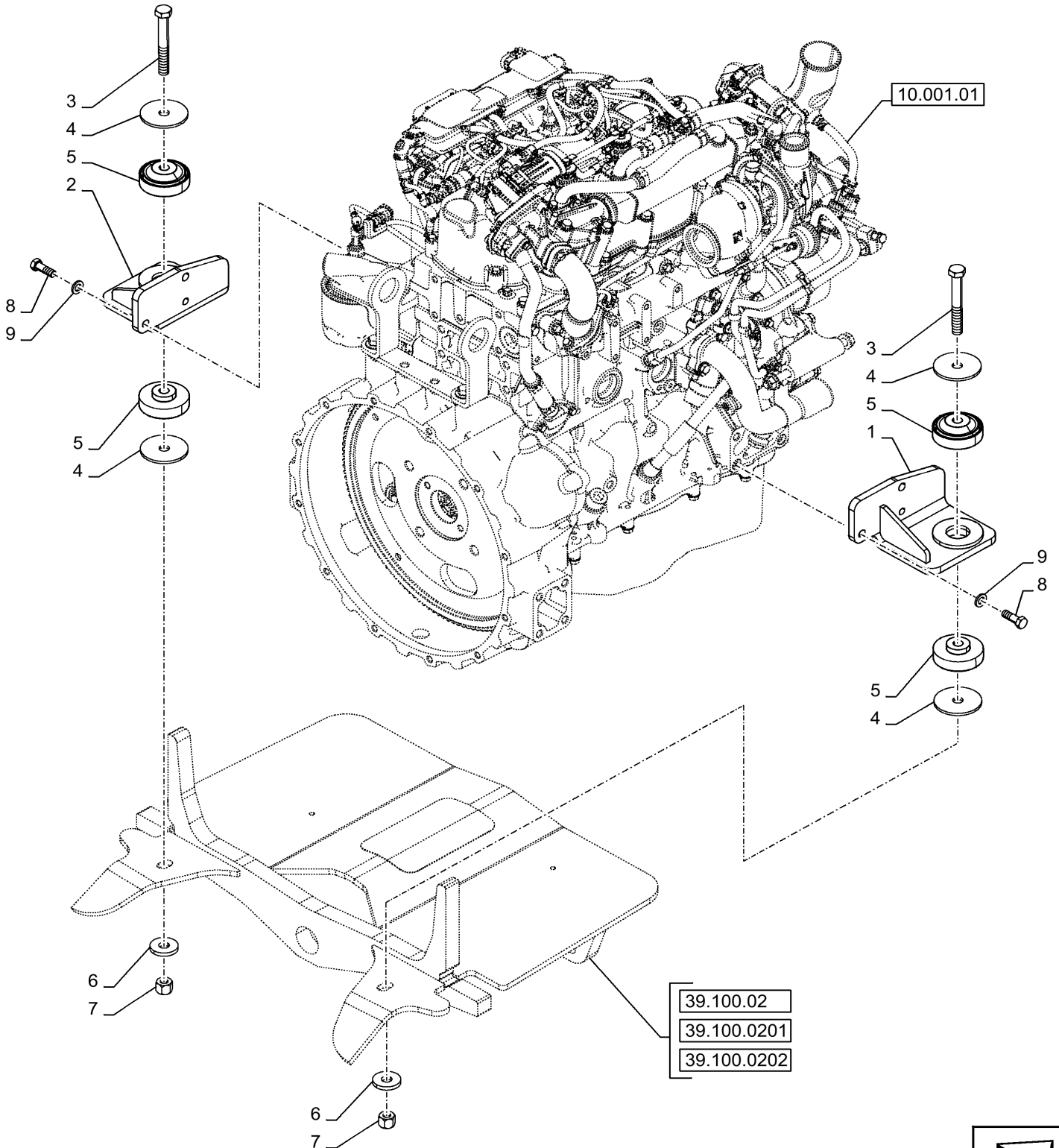
9/2020

DIA KIT



DIA KITS are valid for Model 590SN only

ENGINE, SUPPORT

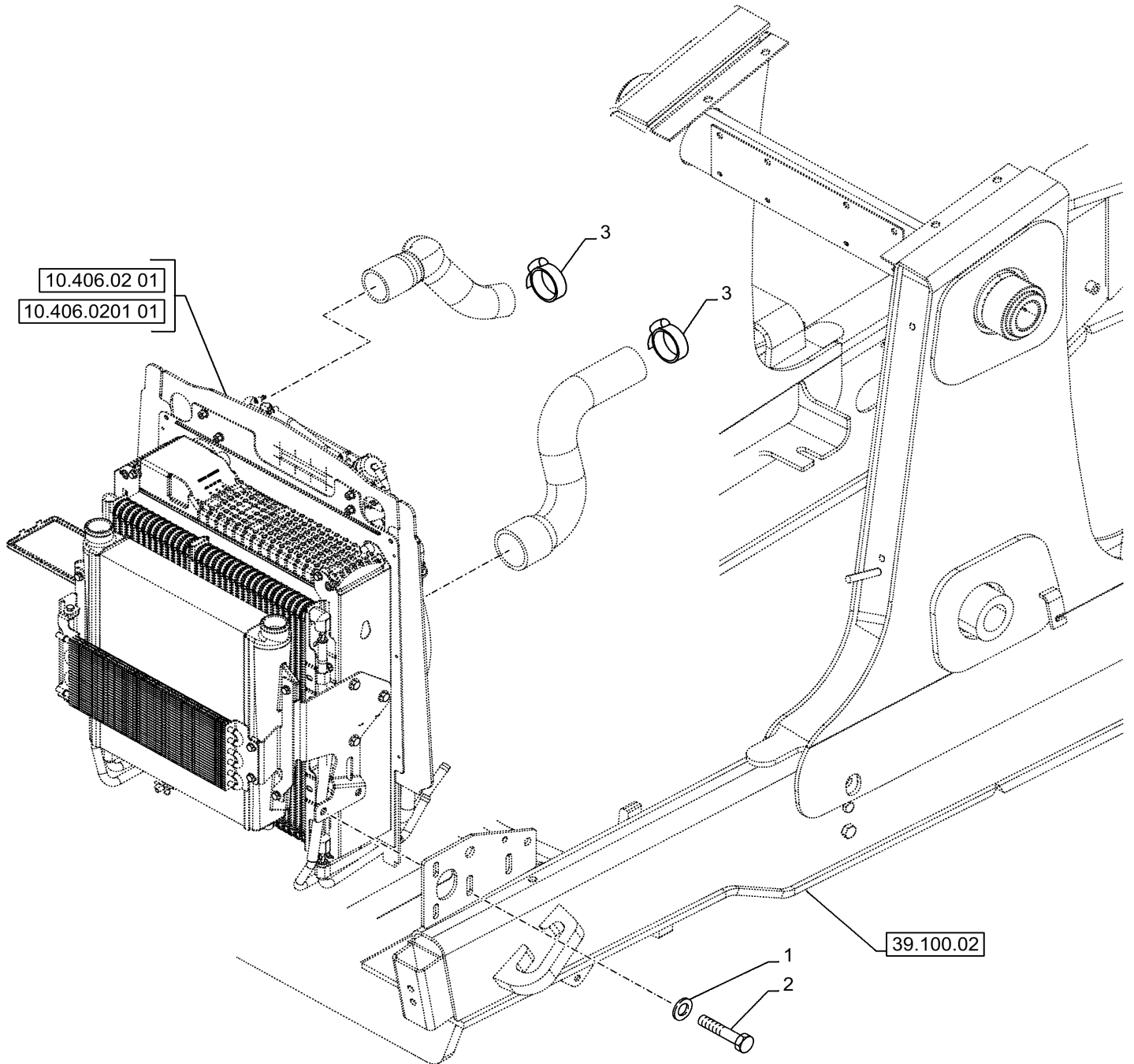


10.406.03

p1

9/2020

VAR - 423000, 442082, 747853, 747854, 747855 - RADIATOR & RELATED PARTS



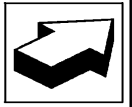
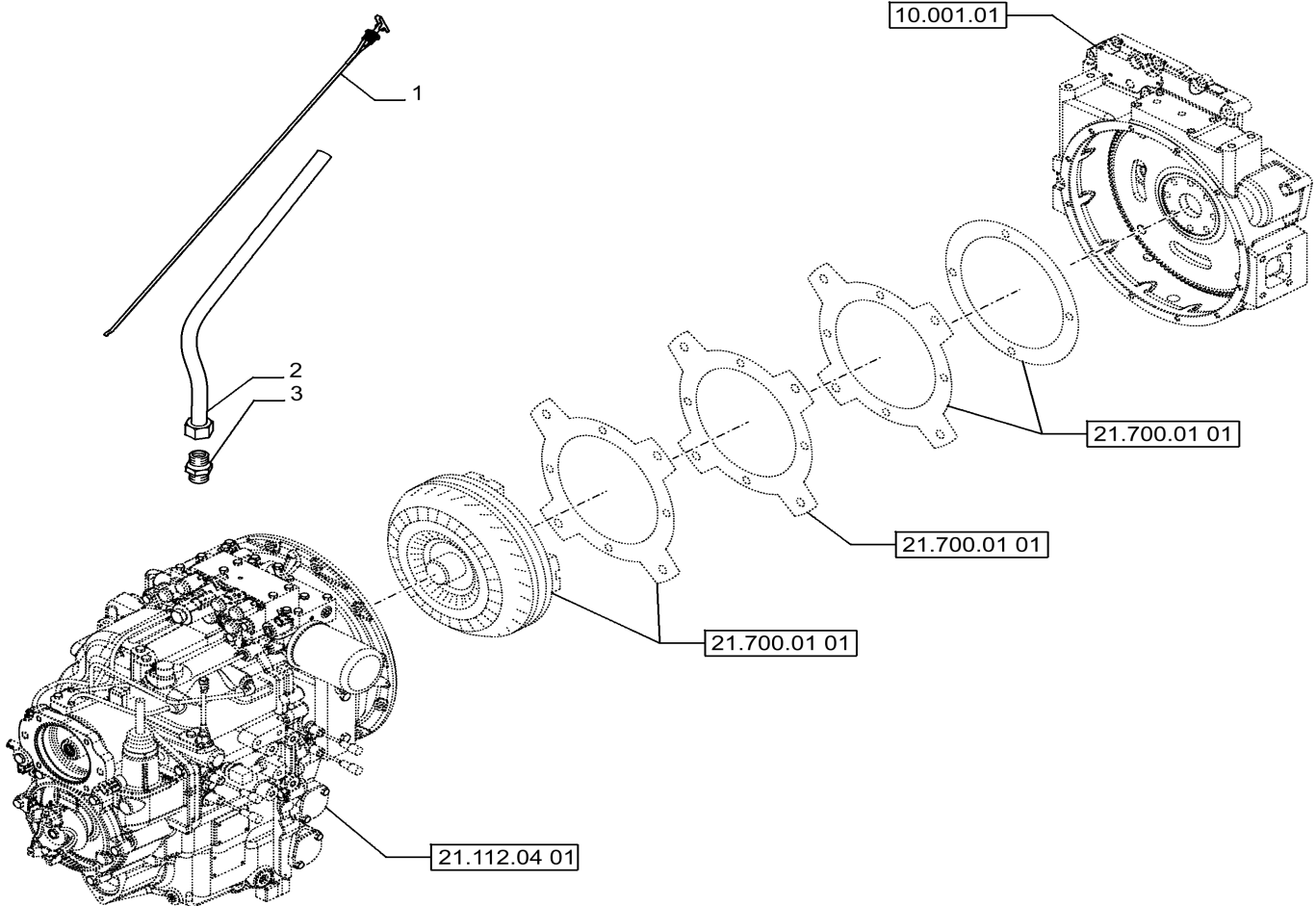
21.112.04

02

p1

9/2020

VAR - 423058, 423059 - STANDARD TRANSMISSION - DIPSTICK - 2WD, 4WD



Group is Valid for Var. 423058 or Var. 423059

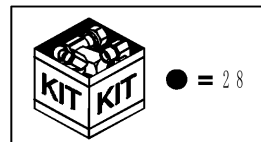
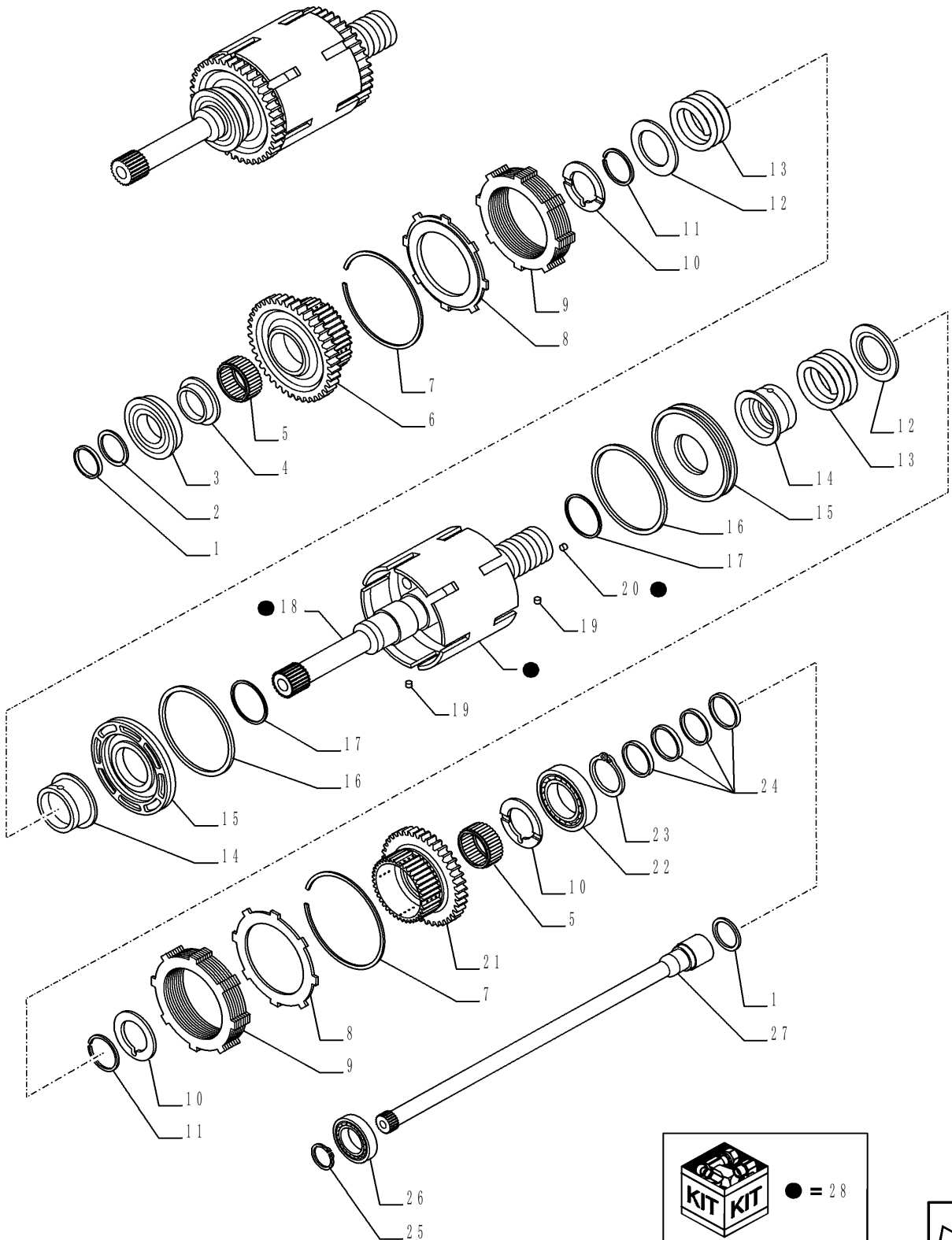


21.155.15

p1

9/2020

VAR - 423062 - TRANSMISSION POWERSHIFT H-TYPE - SHAFT, INPUT & PTO

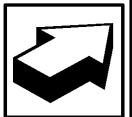
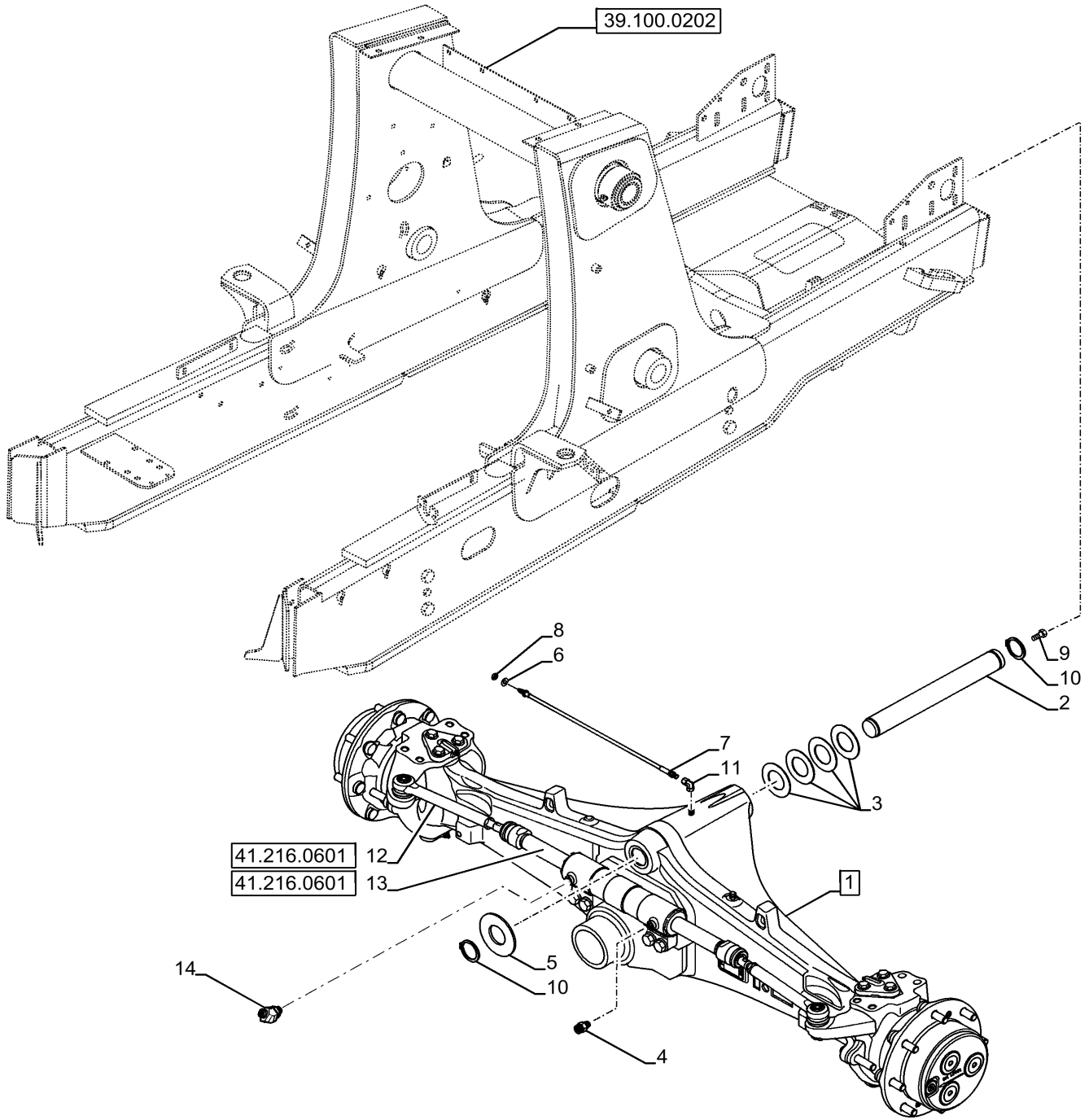


25.100.0301

p1

9/2020

AXLE, FRONT - MOUNTING

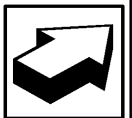
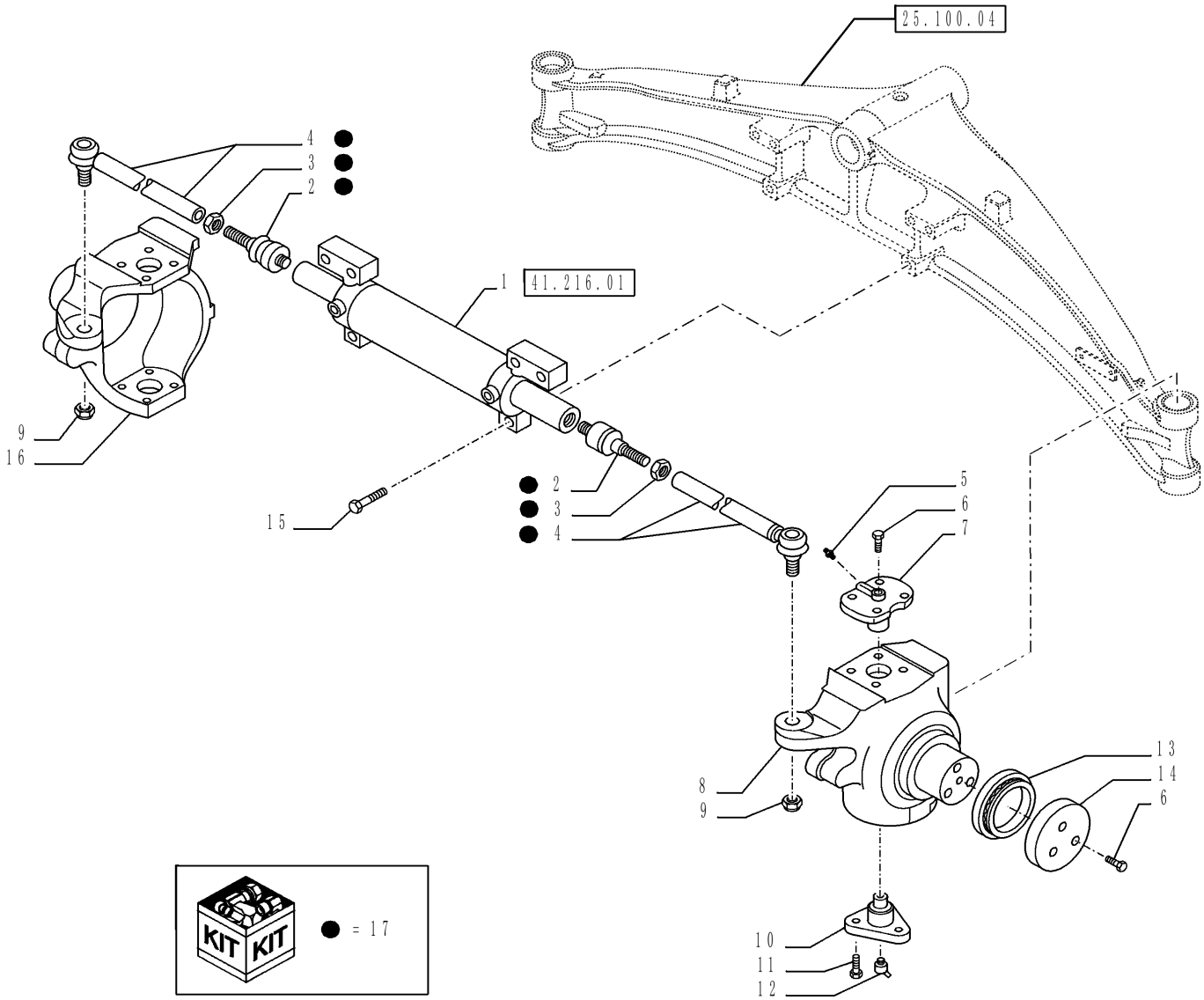


25.108.03

p1

9/2020

STEERING KNUCKLE - CYLINDER - 2WD

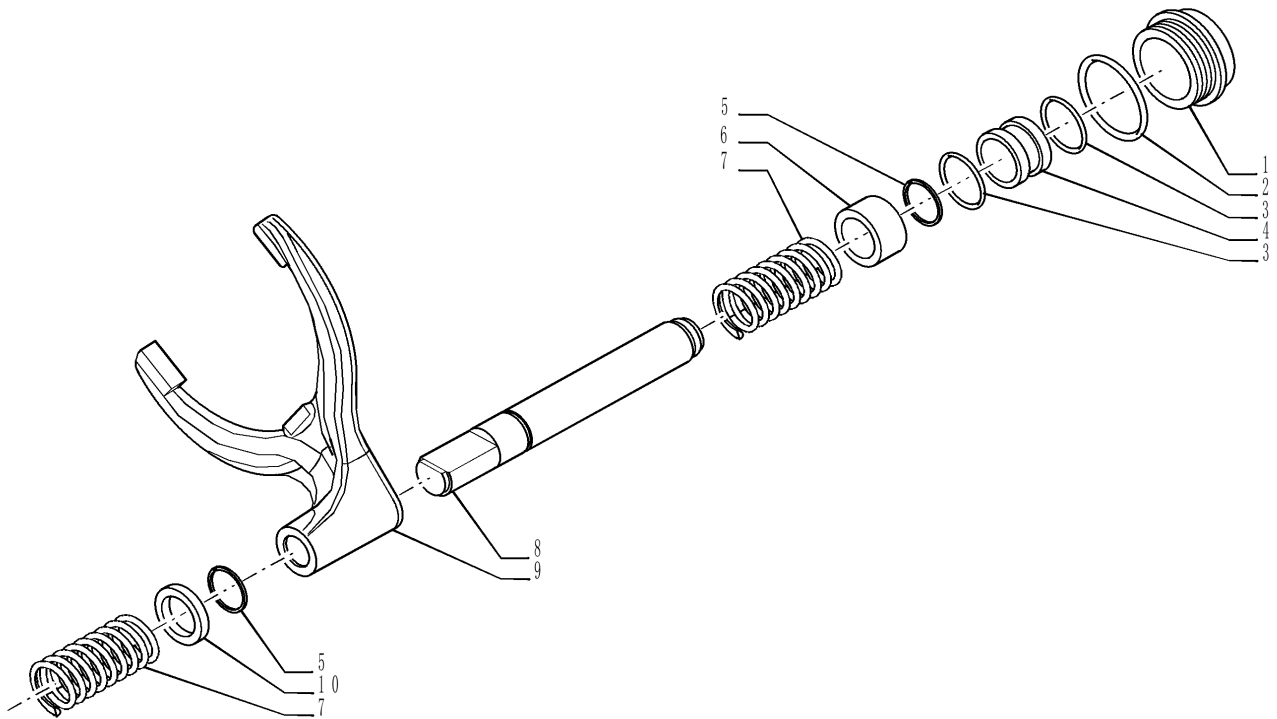


27.106.03

p1

9/2020

DIFFERENTIAL LOCK



---

## SECTION INDEX

### HYDRAULIC SYSTEMS

---

35.726.16	04	CONTROL VALVE, CHECK VALVE, COMPONENTS
35.726.16	05	CONTROL VALVE, CHECK VALVE, COMPONENTS
35.726.1601		BACKHOE CONTROL VALVE, 7-SPOOL, COMPONENTS, W/ EXTENDABLE DIPPER, W/ 2 LEVER CONTROLS - C7397
35.726.1602	01	BACKHOE CONTROL VALVE, 6-SPOOL, COMPONENTS, W/ STANDARD DIPPER, W/ FOOT SWING CONTROLS - C7373
35.726.1602	01A	BACKHOE CONTROL VALVE, 6-SPOOL, COMPONENTS, W/ STANDARD DIPPER, W/ FOOT SWING CONTROLS - D7373
35.726.1603	01	BACKHOE CONTROL VALVE, 8-SPOOL, COMPONENTS, W/ EXTENDABLE DIPPER, W/ FOOT SWING CONTROL - C7373
35.726.1603	01A	BACKHOE CONTROL VALVE, 8-SPOOL, COMPONENTS, W/ EXTENDABLE DIPPER, W/ FOOT SWING CONTROL - D7373
35.726.1604	01	BACKHOE CONTROL VALVE, 7-SPOOL, COMPONENTS, W/ EXTENDABLE DIPPER, W/ 2 LEVER CONTROLS - C7373
35.726.1604	01A	BACKHOE CONTROL VALVE, 7-SPOOL, COMPONENTS, W/ EXTENDABLE DIPPER, W/ 2 LEVER CONTROLS - D7373
35.726.1605	01	BACKHOE CONTROL VALVE, 7-SPOOL, COMPONENTS, W/ STANDARD DIPPER, W/ 2 LEVER CONTROLS, W/ DOUBLE AUXILIARY HYDRAULICS - C7373
35.726.1605	01A	BACKHOE CONTROL VALVE, 7-SPOOL, COMPONENTS, W/ STANDARD DIPPER, W/ 2 LEVER CONTROLS, W/ DOUBLE AUXILIARY HYDRAULICS - D7373
35.726.1606		BACKHOE CONTROL VALVE, 7-SPOOL, COMPONENTS, W/ EXTENDABLE DIPPER, W/ FOOT SWING CONTROLS - C7397
35.726.1607	01	BACKHOE CONTROL VALVE, 7-SPOOL, COMPONENTS, W/ EXTENDABLE DIPPER, W/ FOOT SWING CONTROLS - C7373
35.726.1607	01A	BACKHOE CONTROL VALVE, 7-SPOOL, COMPONENTS, W/ EXTENDABLE DIPPER, W/ FOOT SWING CONTROLS - D7373
35.726.1608	01	BACKHOE CONTROL VALVE, 7-SPOOL, COMPONENTS, W/ STANDARD DIPPER, W/ FOOT SWING CONTROLS - C7373
35.726.1608	01A	BACKHOE CONTROL VALVE, 7-SPOOL, COMPONENTS, W/ STANDARD DIPPER, W/ FOOT SWING CONTROLS - D7373
35.726.1609	01	BACKHOE CONTROL VALVE, 8-SPOOL, COMPONENTS, W/ EXTENDABLE DIPPER, W/ 2 LEVER CONTROLS, W/ DOUBLE AUXILIARY HYDRAULICS - C7373
35.726.1609	01A	BACKHOE CONTROL VALVE, 8-SPOOL, COMPONENTS, W/ EXTENDABLE DIPPER, W/ 2 LEVER CONTROLS, W/ DOUBLE AUXILIARY HYDRAULICS - D7373
35.726.17		VAR - X20036X - SUPPORT - EXTENDABLE DIPPER
35.726.1801		AUXILIARY HYDRAULIC - STANDARD DIPPER
35.726.1802		AUXILIARY HYDRAULIC - STANDARD DIPPER
35.726.19	01	BACKHOE CONTROL VALVE, 7-SPOOL, MOUNTING PARTS, EXTENDABLE DIPPER, W/ FOOT SWING CONTROLS
35.726.19	02	BACKHOE CONTROL VALVE, 6-SPOOL, MOUNTING PARTS, STANDARD DIPPER, W/ FOOT SWING CONTROLS
35.726.1901		AUX HYDS PARTS FOR EXTHOE
35.726.1902		AUX HYDS PARTS FOR EXTHOE
35.726.1903		BACKHOE CONTROL VALVE, 6-SPOOL, MOUNTING PARTS, STANDARD DIPPER, W/ TWO LEVER CONTROLS
35.726.1904		BACKHOE CONTROL VALVE, 6-SPOOL, MOUNTING PARTS, STANDARD DIPPER, W/ FOOT SWING CONTROLS
35.726.1905		BACKHOE CONTROL VALVE, 7-SPOOL, MOUNTING PARTS, STANDARD DIPPER, W/ TWO LEVER CONTROLS
35.726.1906		BACKHOE CONTROL VALVE, 6-SPOOL, MOUNTING PARTS, STANDARD DIPPER, W/ TWO LEVER CONTROLS

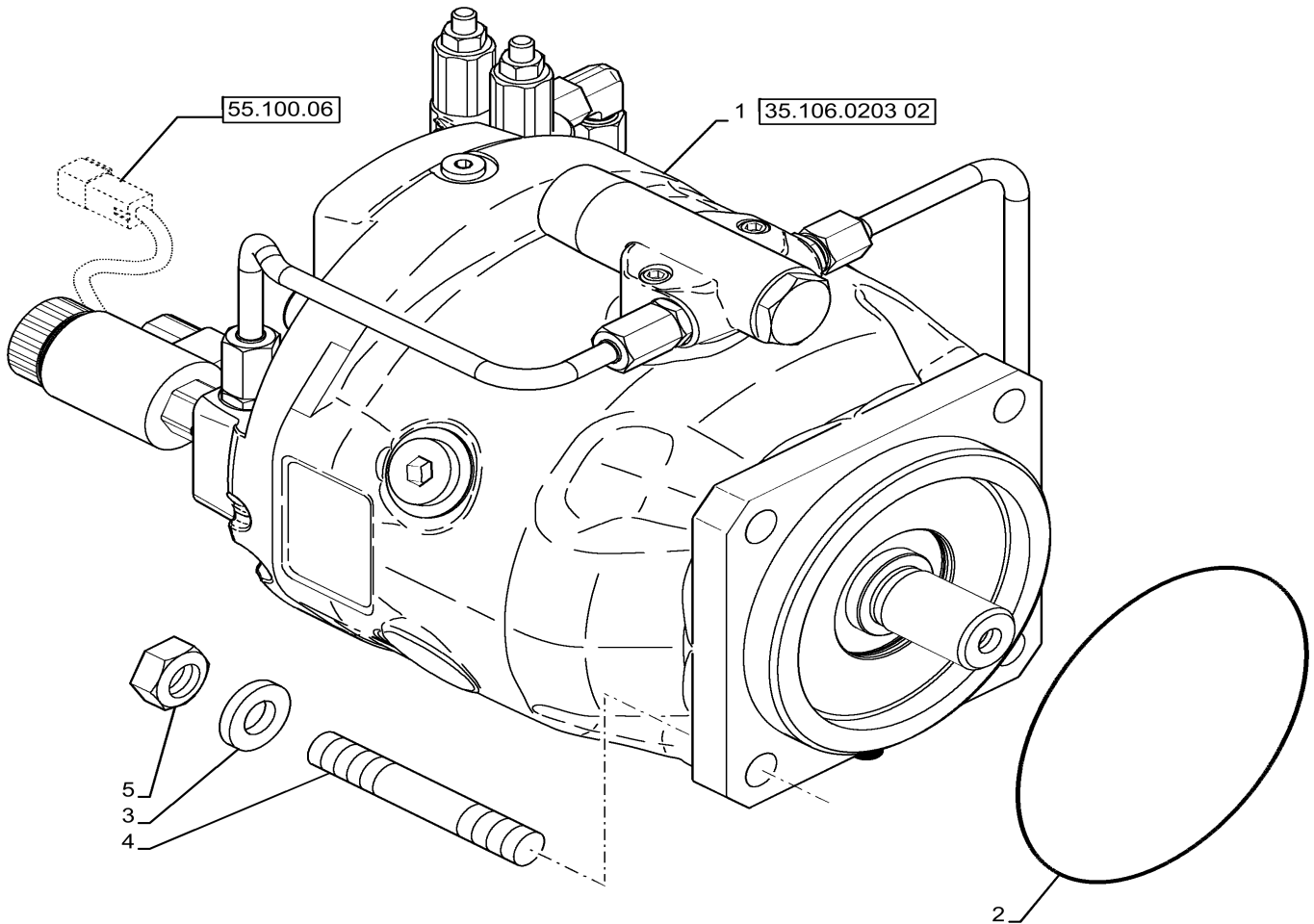
35.106.0203

01

p1

9/2020

HYDRAULIC PUMP (W/ DUAL BATTERIES)



FOR MACHINES WITH MECHANICAL CONTROLS : Requires Cold Start Dual Battery (Var. 423093); Requires 2 Lever Ccontrols (Var. 742369) or STD Foot Swing Controls (Var. X20038X); Requires Power Lift (Var. 423080). FOR MACHINES WITH PILOT CONTROLS : Requires Cold Start Dual Battery (Var. 423093); Requires Pilot Controls W/ Heavy Lift (Var. 423078); Requires No Power Lift (Var. X20233X). Figure is Valid only when Engineering VAR 18BD00264 or 19BD00264 is Equipped

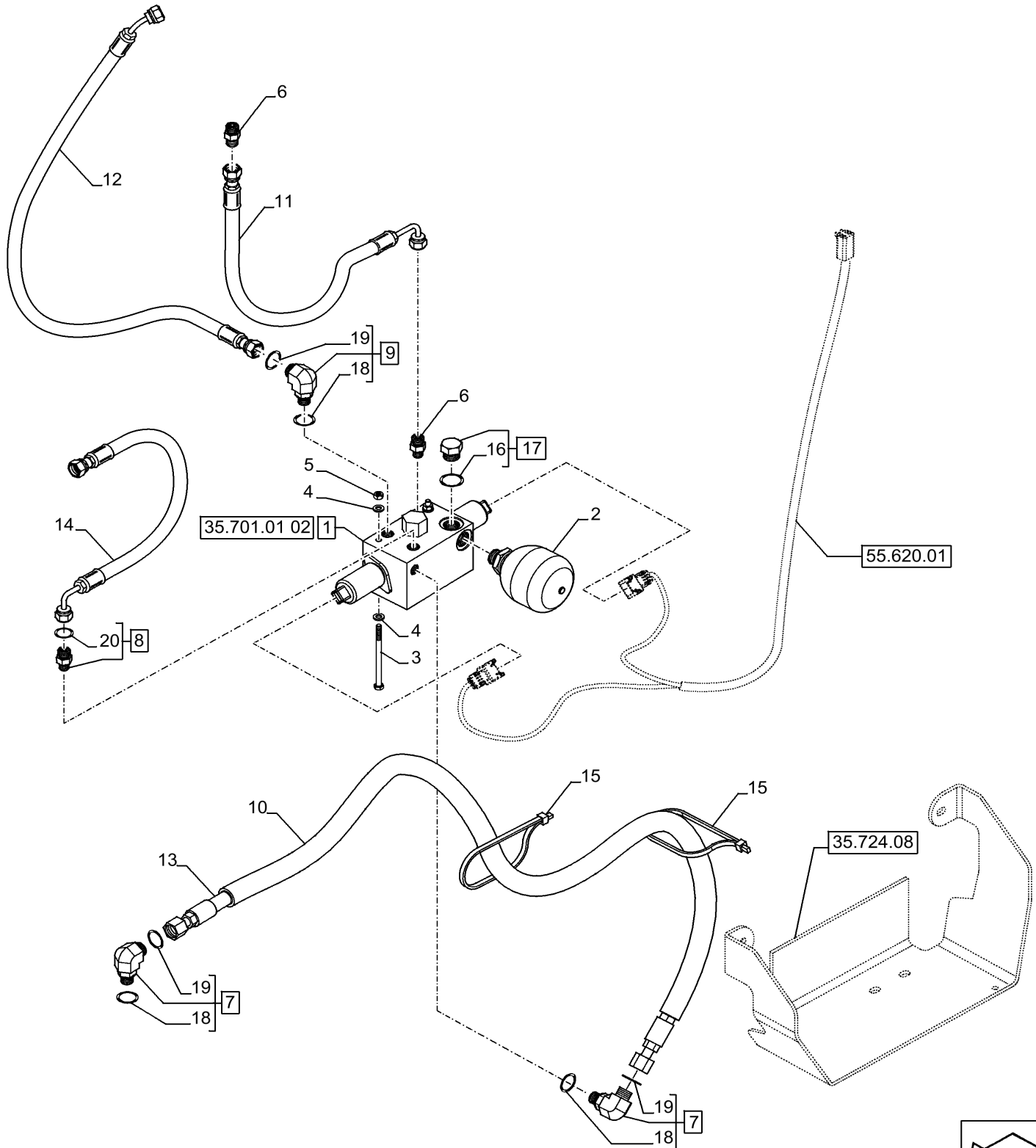
35.701.01

01

p1

9/2020

VAR - 747864 - HYDRAULICS - LOADER 4 IN 1 - 3 SPOOL VALVE PILOT CONTROL

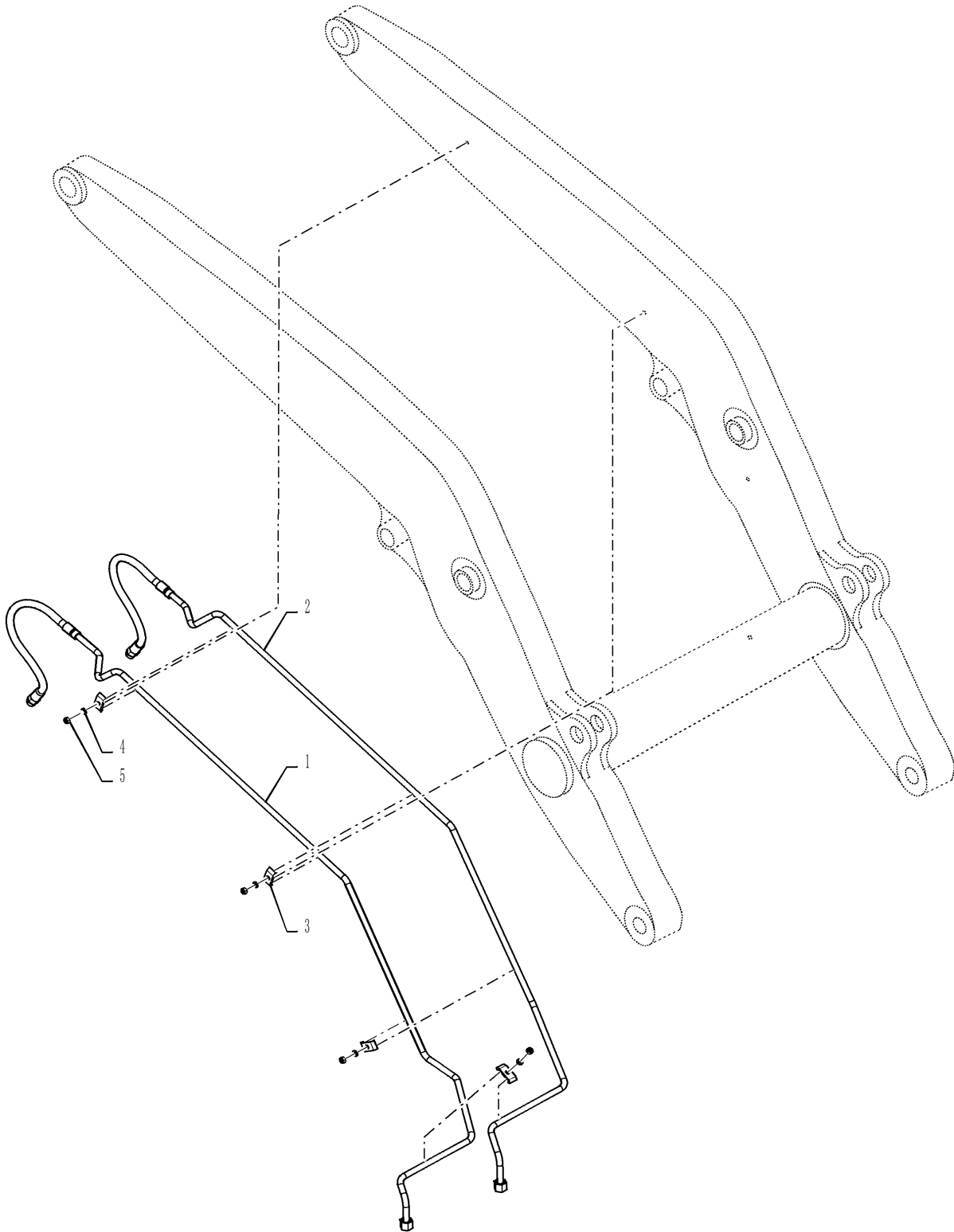


35.701.17

p1

9/2020

VAR - 747776, 747864 - HYDRAULICS - LOADER 4 IN 1 - 3 SPOOL VALVE

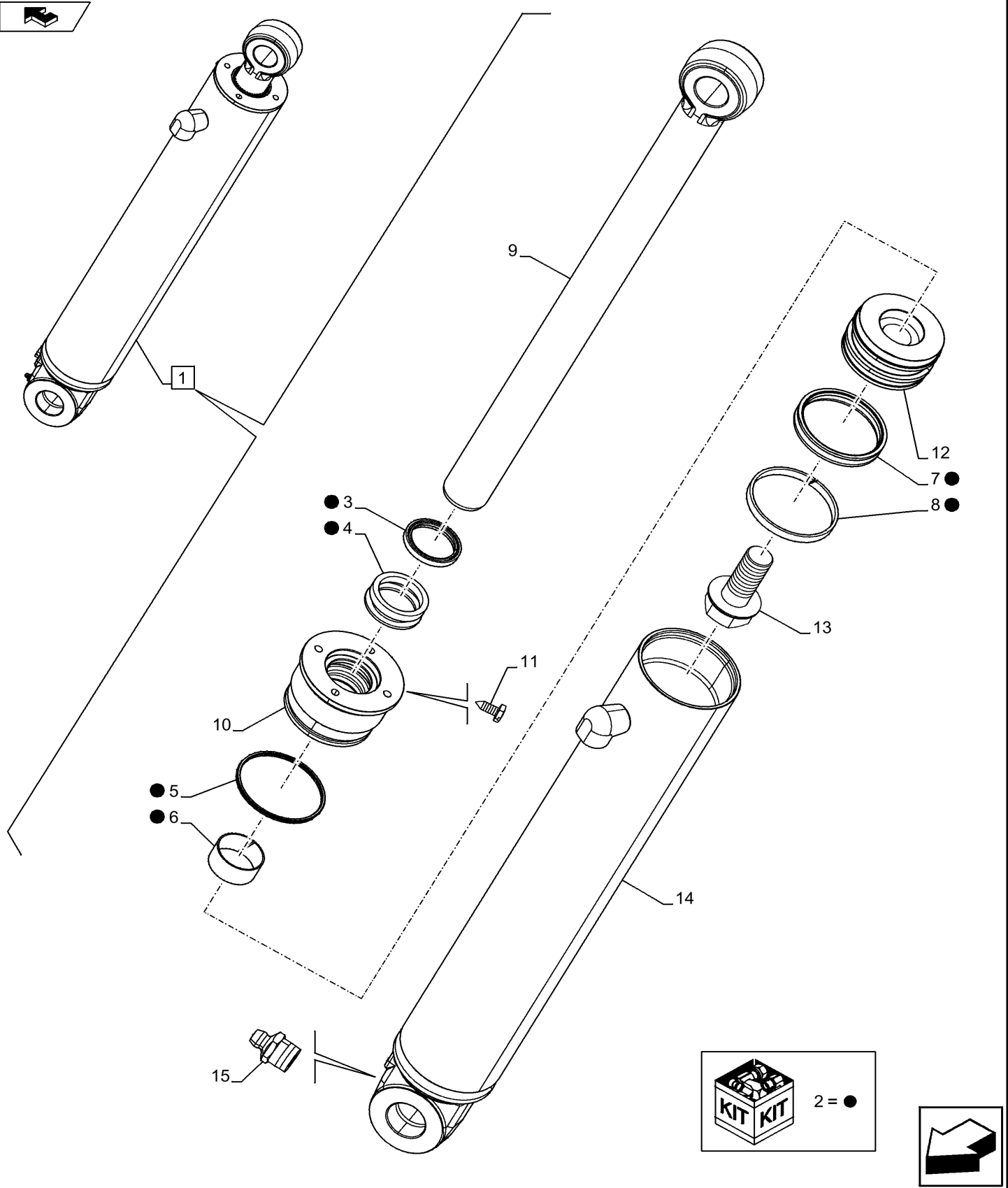


35.703.0103

p1

9/2020

STABILIZER CYLINDER, LH, COMPONENTS





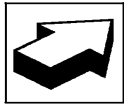
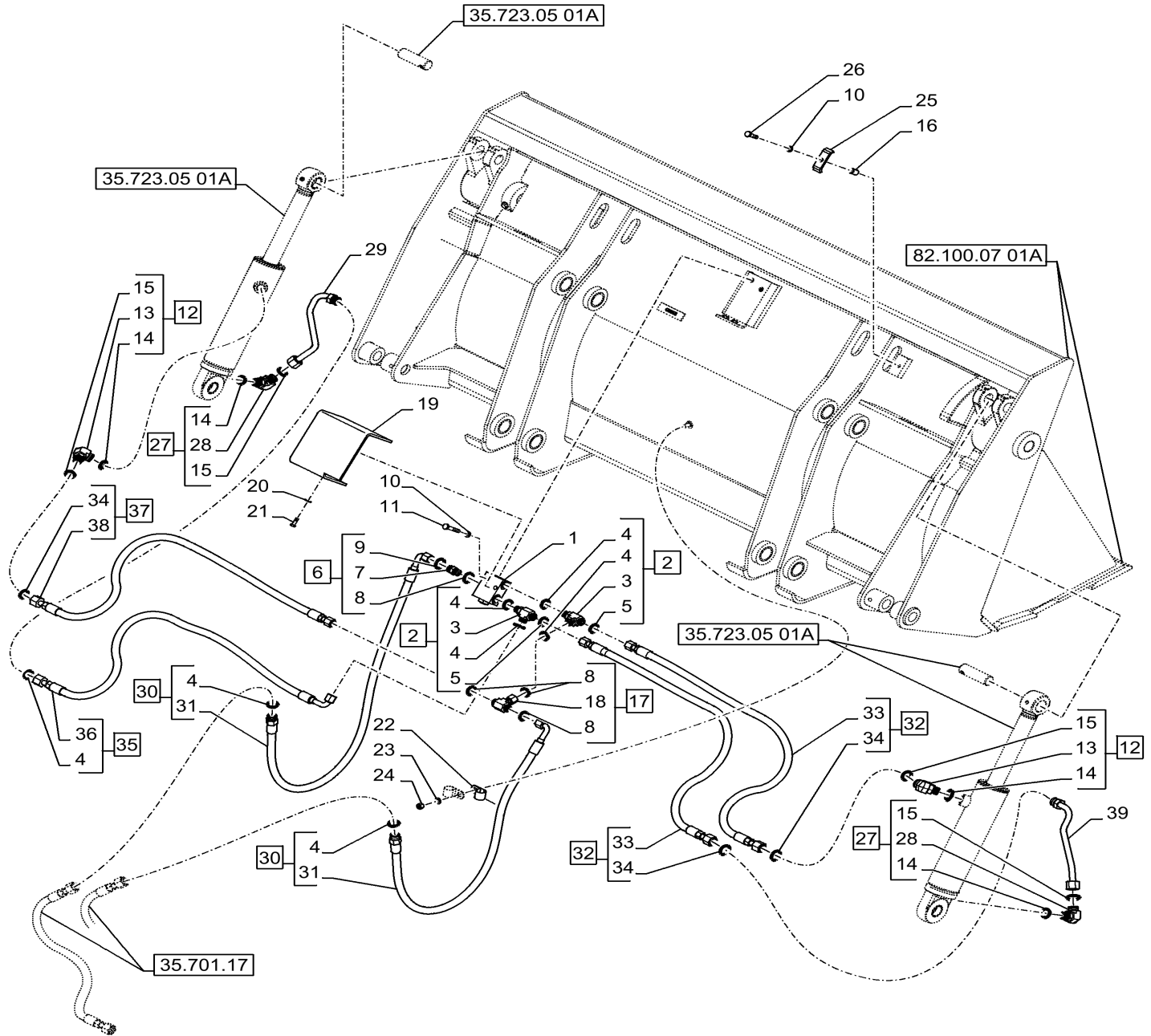
35.723.0601

01A

p2

9/2020

VAR - 747863 - BUCKET, CYLINDER, LINES - D7384 - C7385



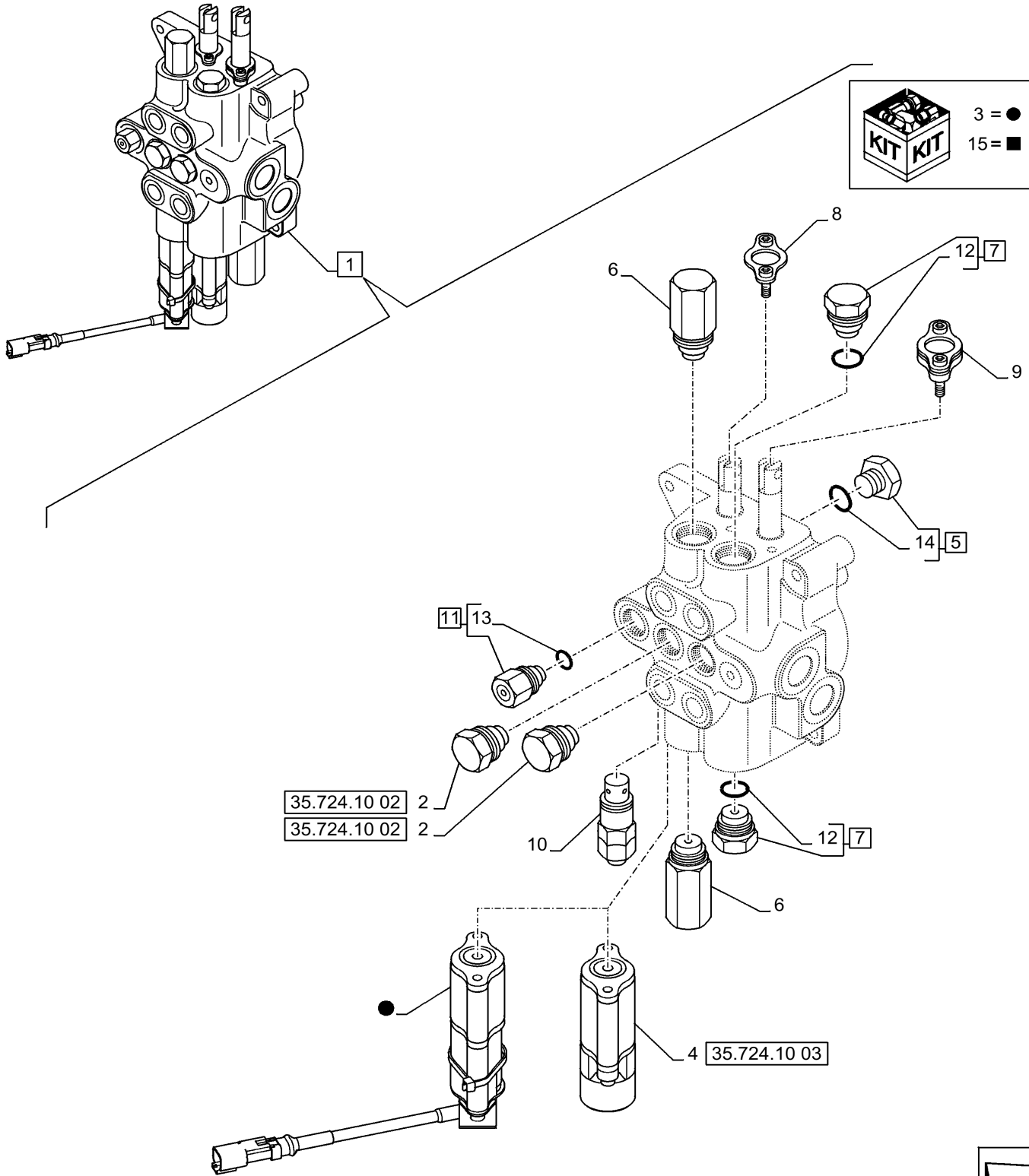
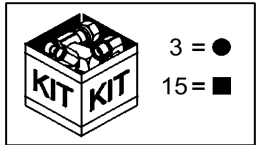
Group is Valid for Var. 747863; D7384 After Date 06 December 2013; C7385 Before Date 11 January 2014

35.724.11

p1

9/2020

FRONT LOADER, 2-SPOOL CONTROL VALVE, W/ PILOT CONTROLS

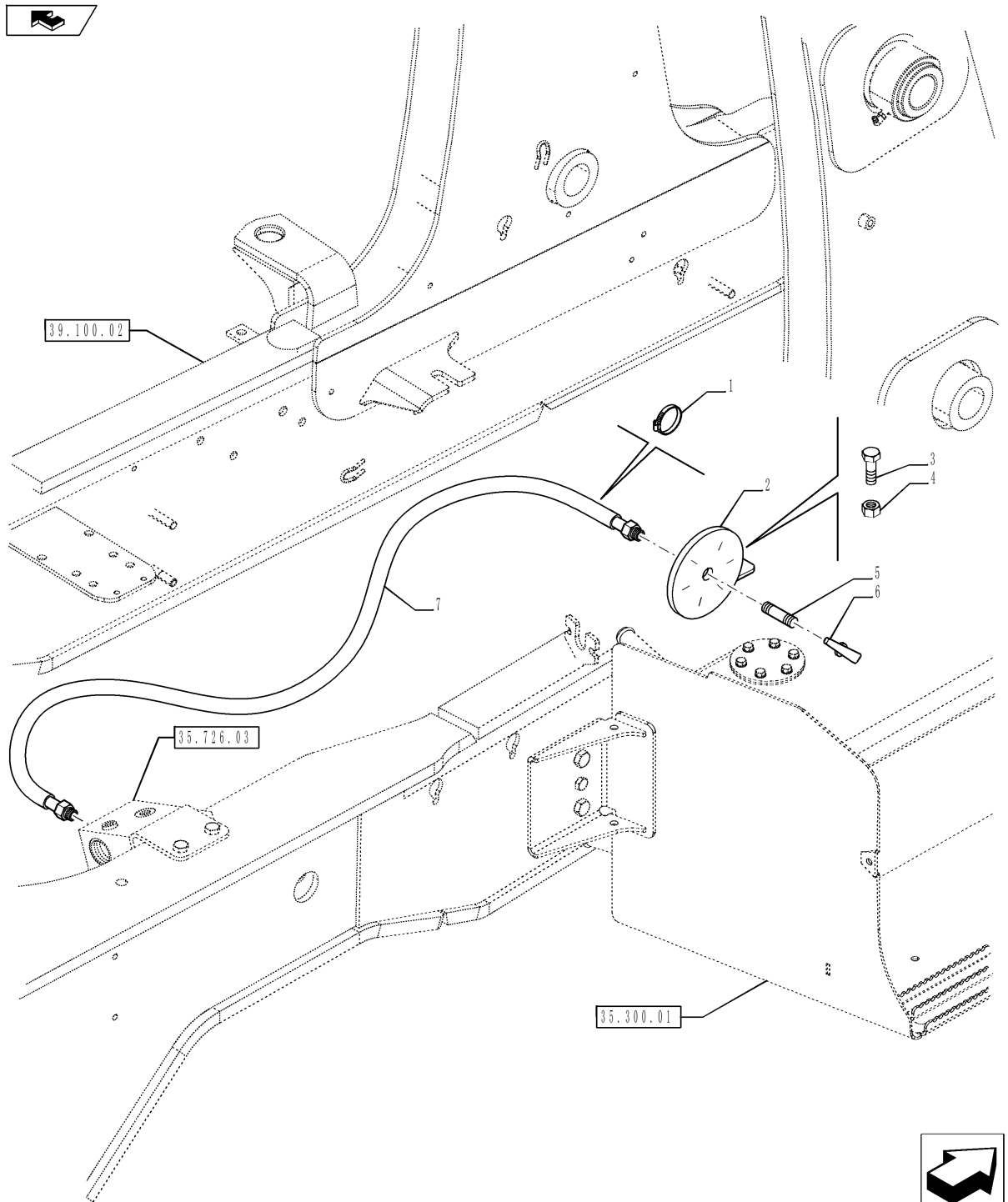


35.726.07

p1

9/2020

VAR - 423083 - HYDRAULIC SYSTEM - HAMMER CONTROL



35.726.16

01

p1

9/2020

BACKHOE CONTROL VALVE, 6-SPOOL, COMPONENTS, W/ STANDARD DIPPER, W/ 2 LEVER CONTROLS - C7373

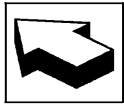
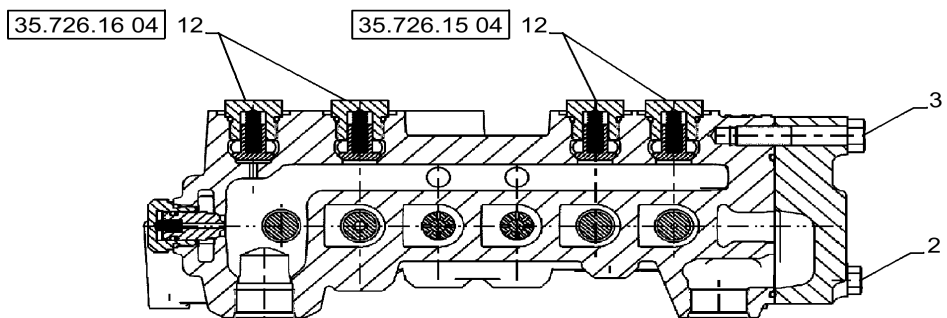
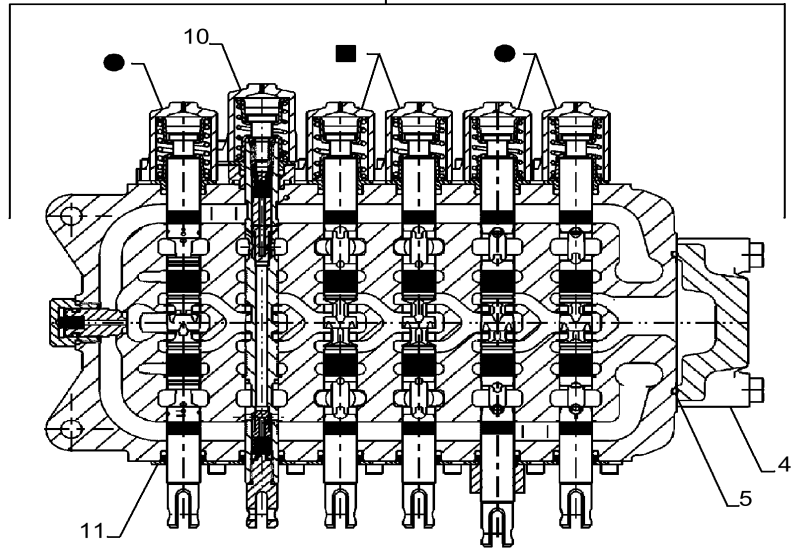
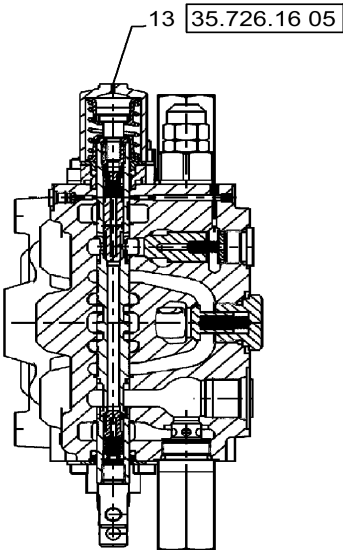
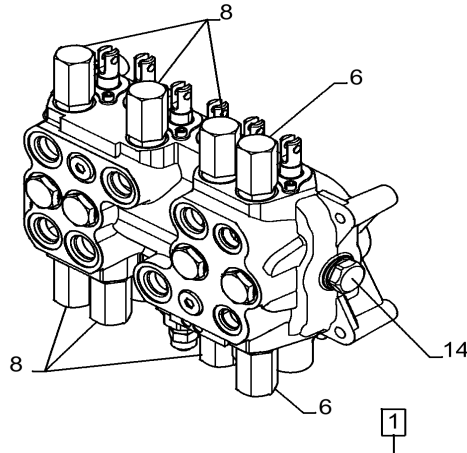
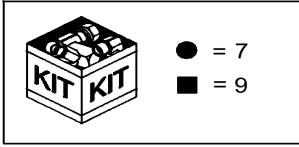


Figure is Valid for Industrial Var. 17BD00228, 18BD00228, 19BD00228, 20BD00228; C7373 Before Date 11 July 2015

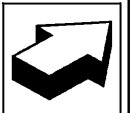
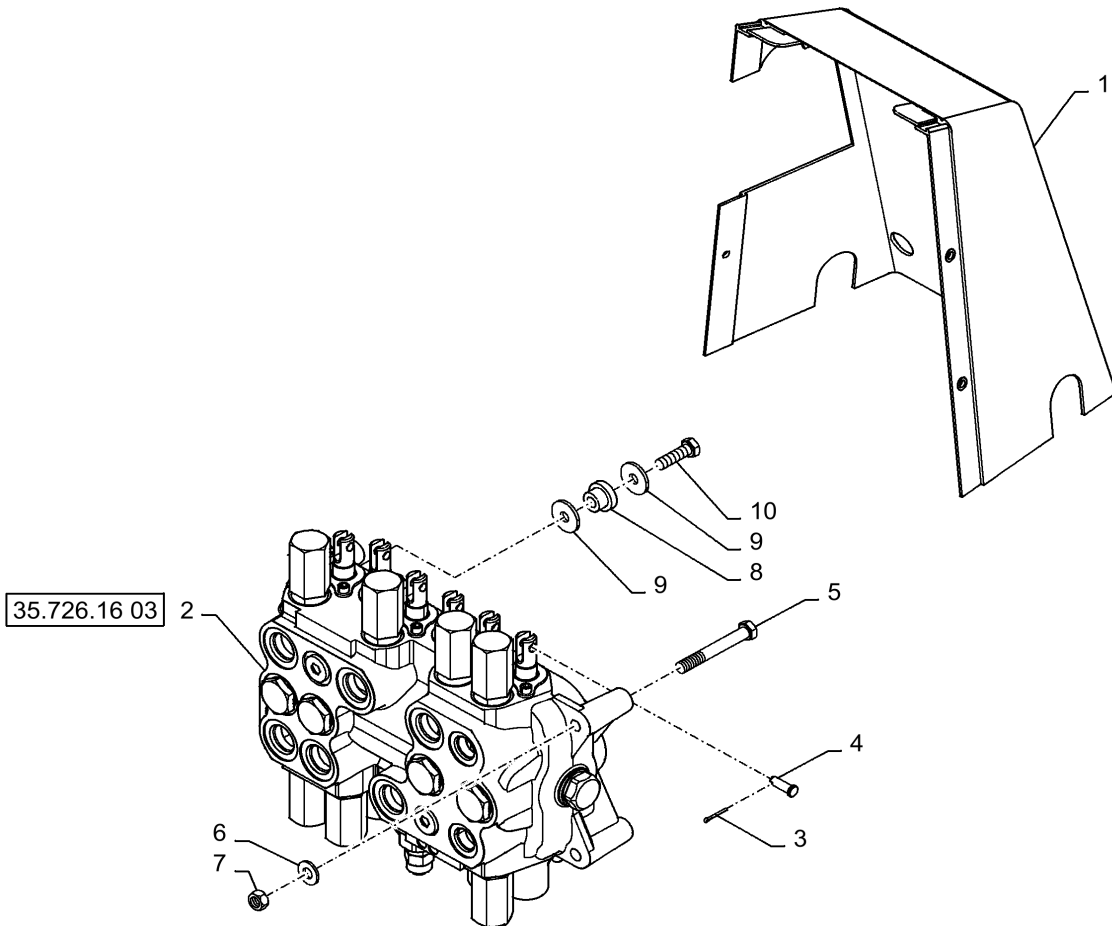


35.726.1903

p1

9/2020

BACKHOE CONTROL VALVE, 6-SPOOL, MOUNTING PARTS, STANDARD DIPPER, W/ TWO LEVER CONTROLS



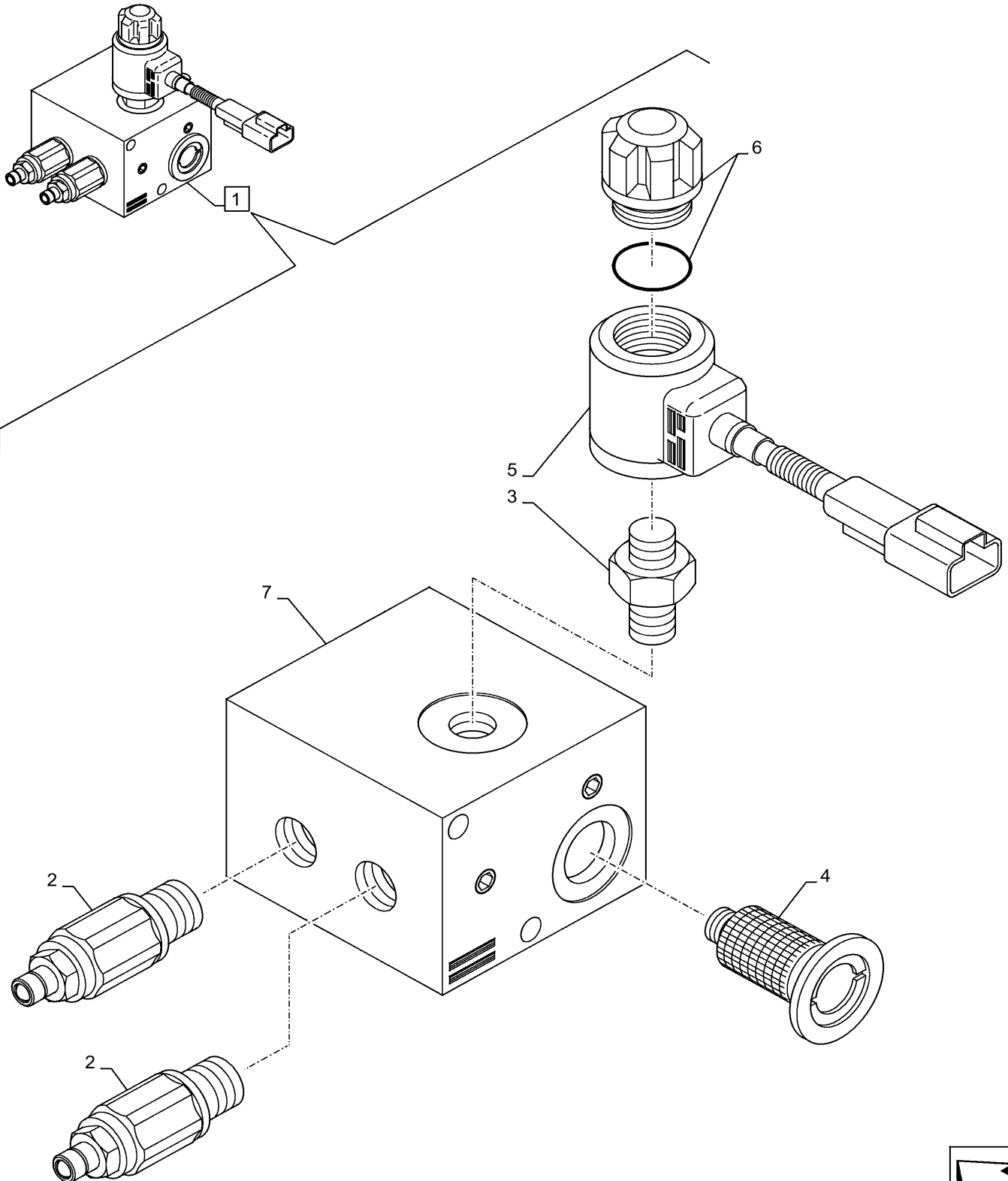
35.726.2002

02

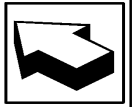
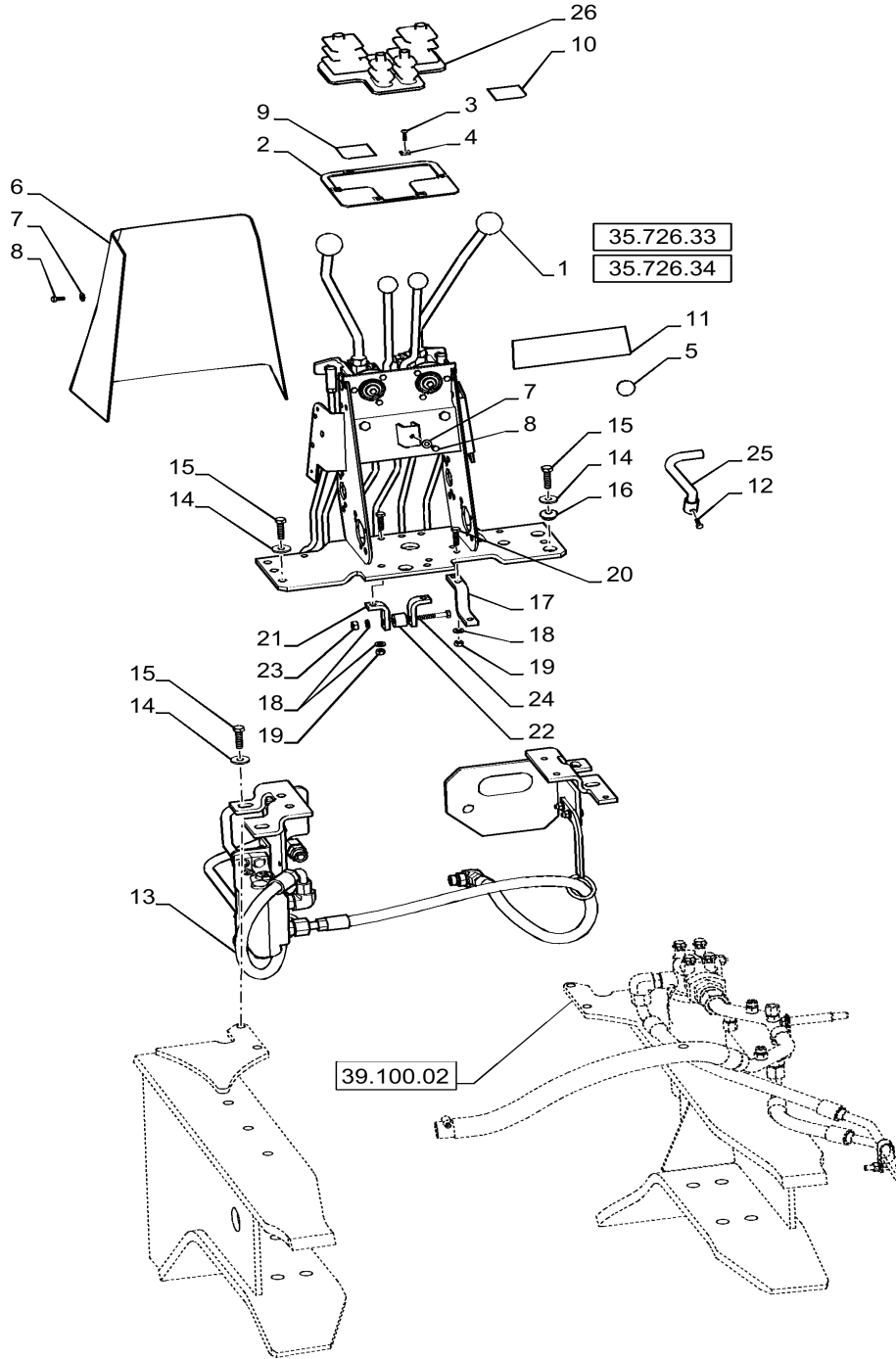
p1

9/2020

VAR - X20233X - VALVE - HEAVY LIFT (MECH CONTROL)



VAR - 742369 - CONTROL - BACKHOE, 2 LEVER



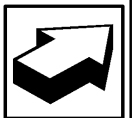
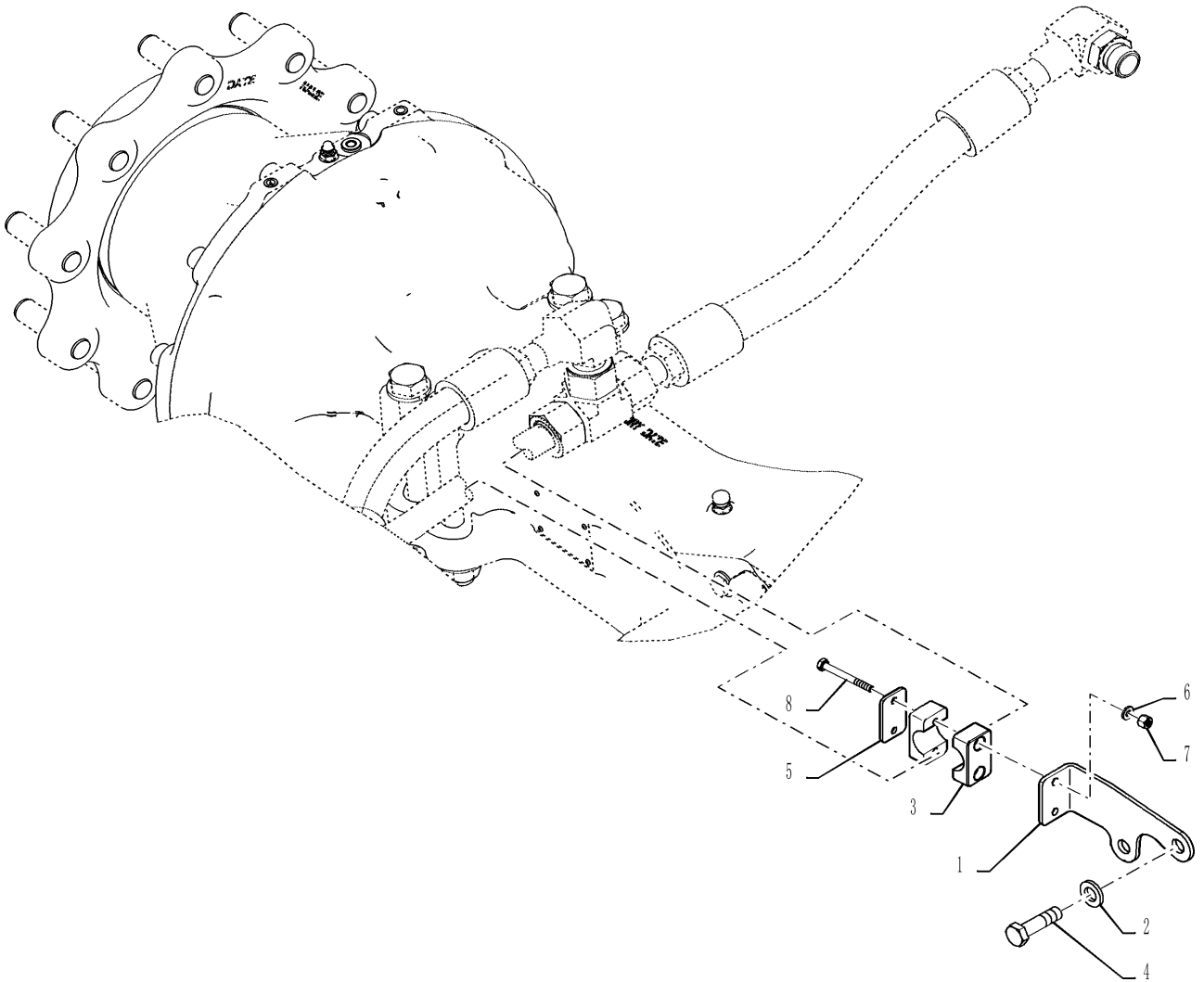
Group is Valid for Var. 742369; D7317 After Date 19 January 2013

35.726.38

p1

9/2020

VAR - X20137X - BRACKET - VARIABLE VALVE PUMP PRESSURE HOSES

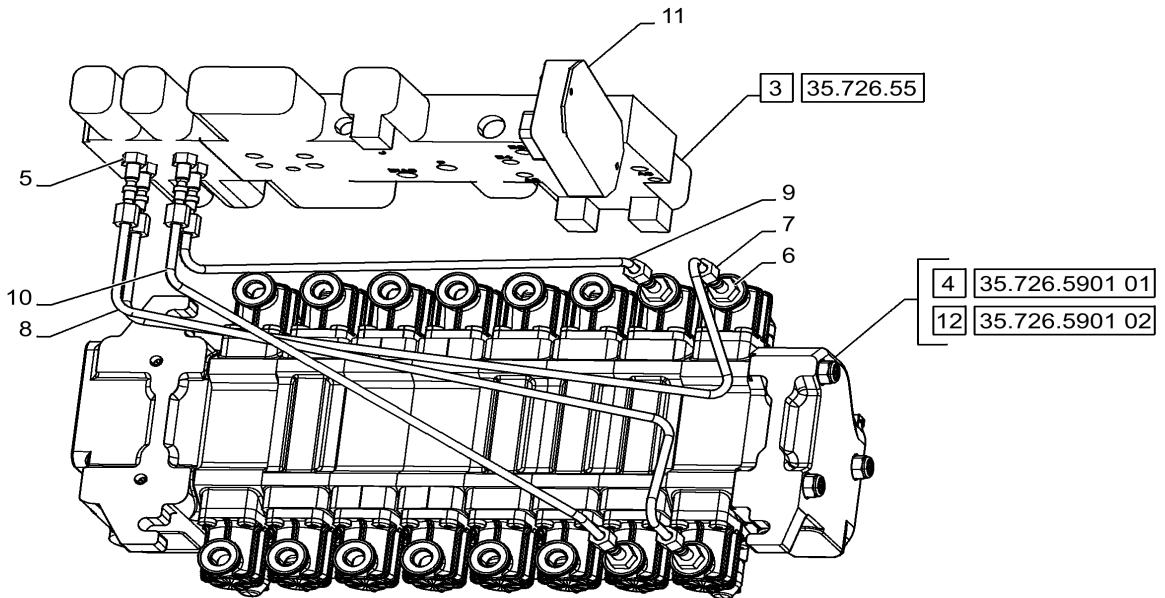
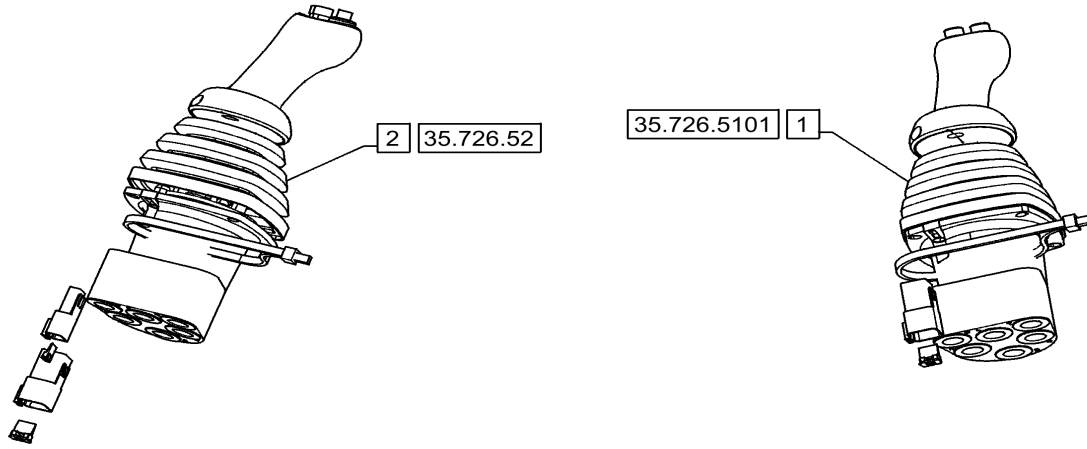


35.726.4801

p1

9/2020

VALVE - PILOT CONTROL AND JOYSTICKS (8 SPOOL, W/ EHOE, W/ AUX HYDS) - D9006



D9006 After Date 29 September 2012

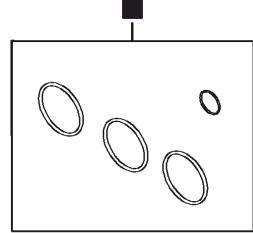
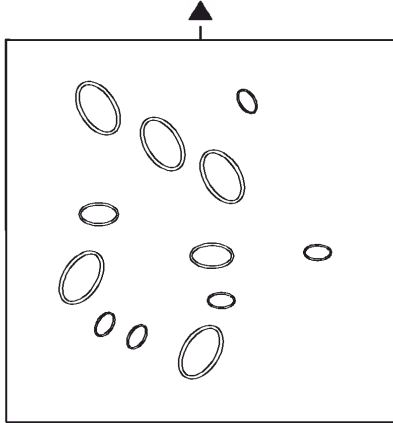
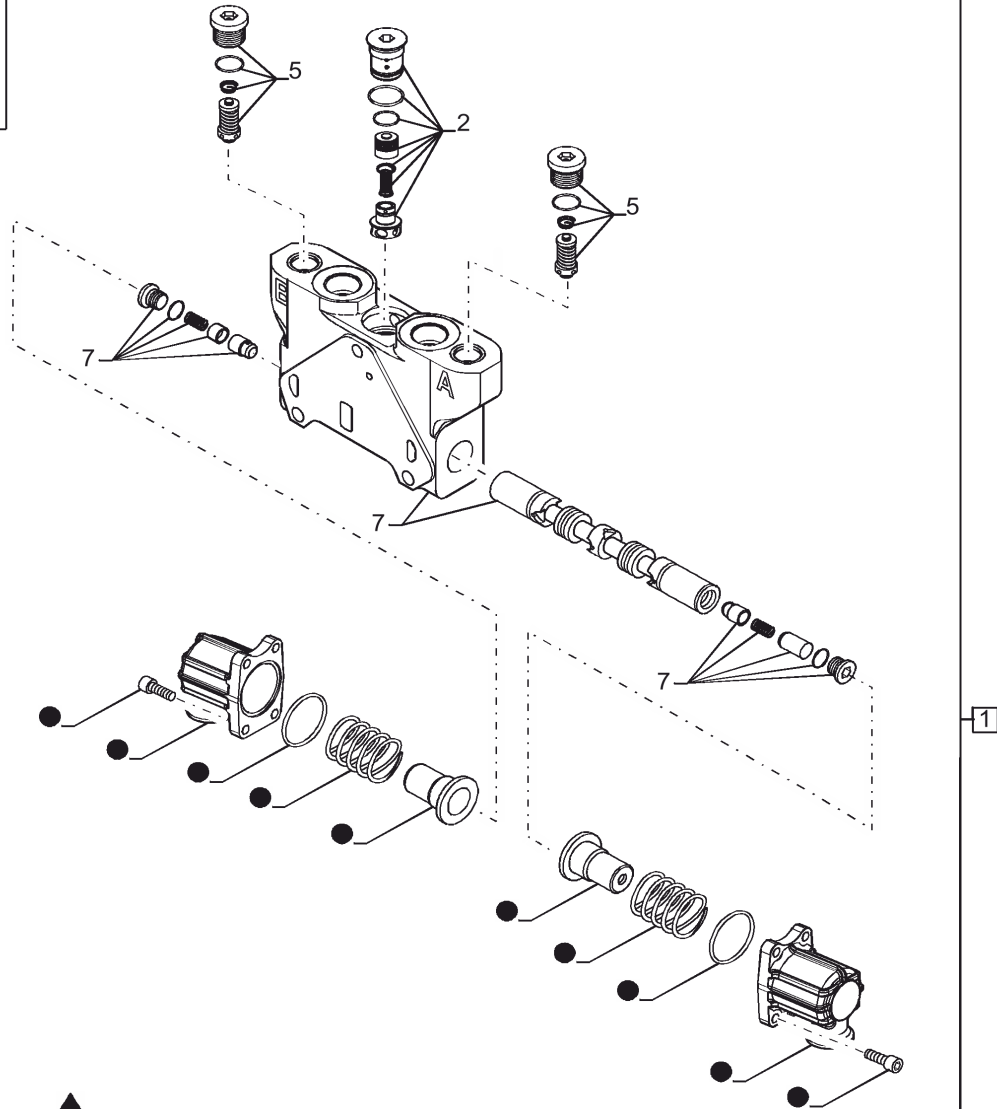
35.726.56

04

p1

9/2020

BACKHOE CONTROL VALVE, BOOM SECTION



35.726.59

01

p1

9/2020

BACKHOE CONTROL VALVE, 8-SPOOL, W/ EXTENDABLE DIPPER, W/ PILOT CONTROLS, W/ DOUBLE AUXILIARY HYDRAULIC - C9006

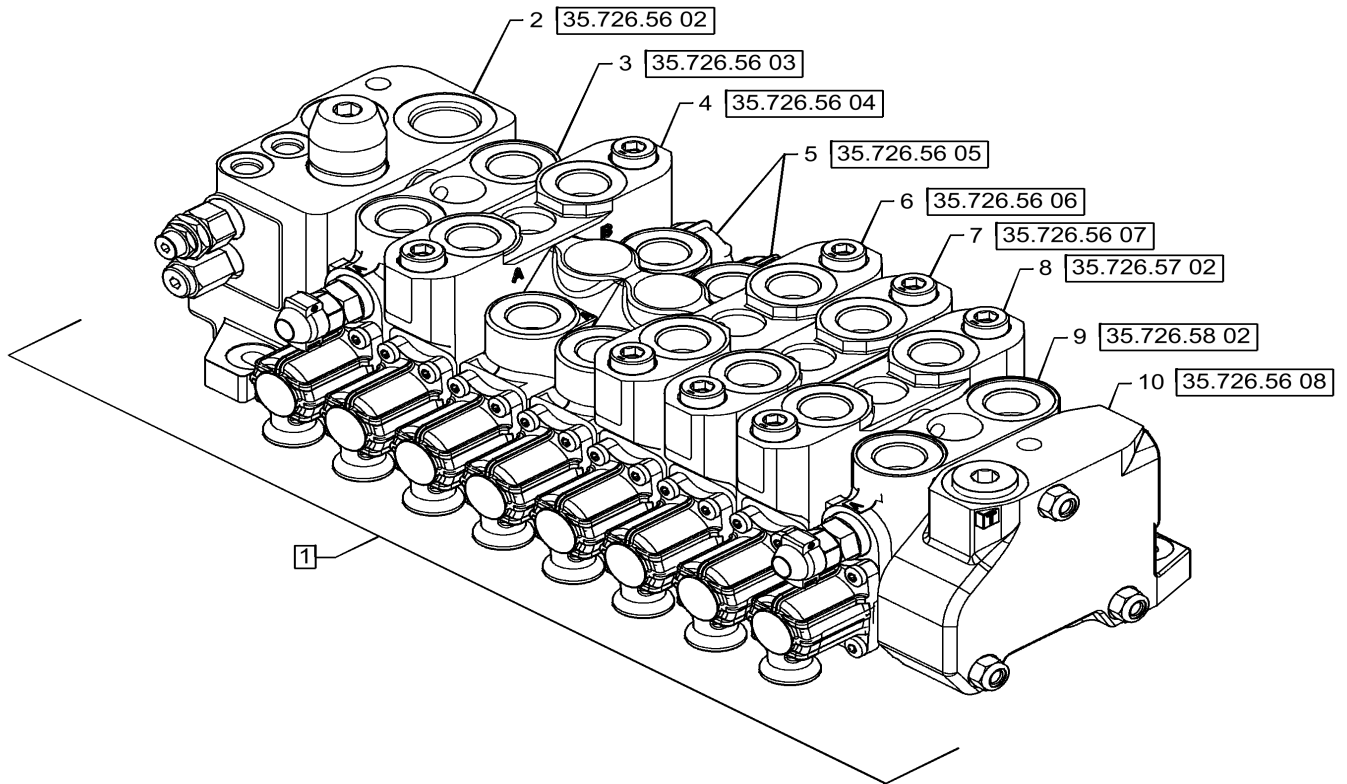


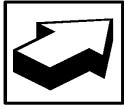
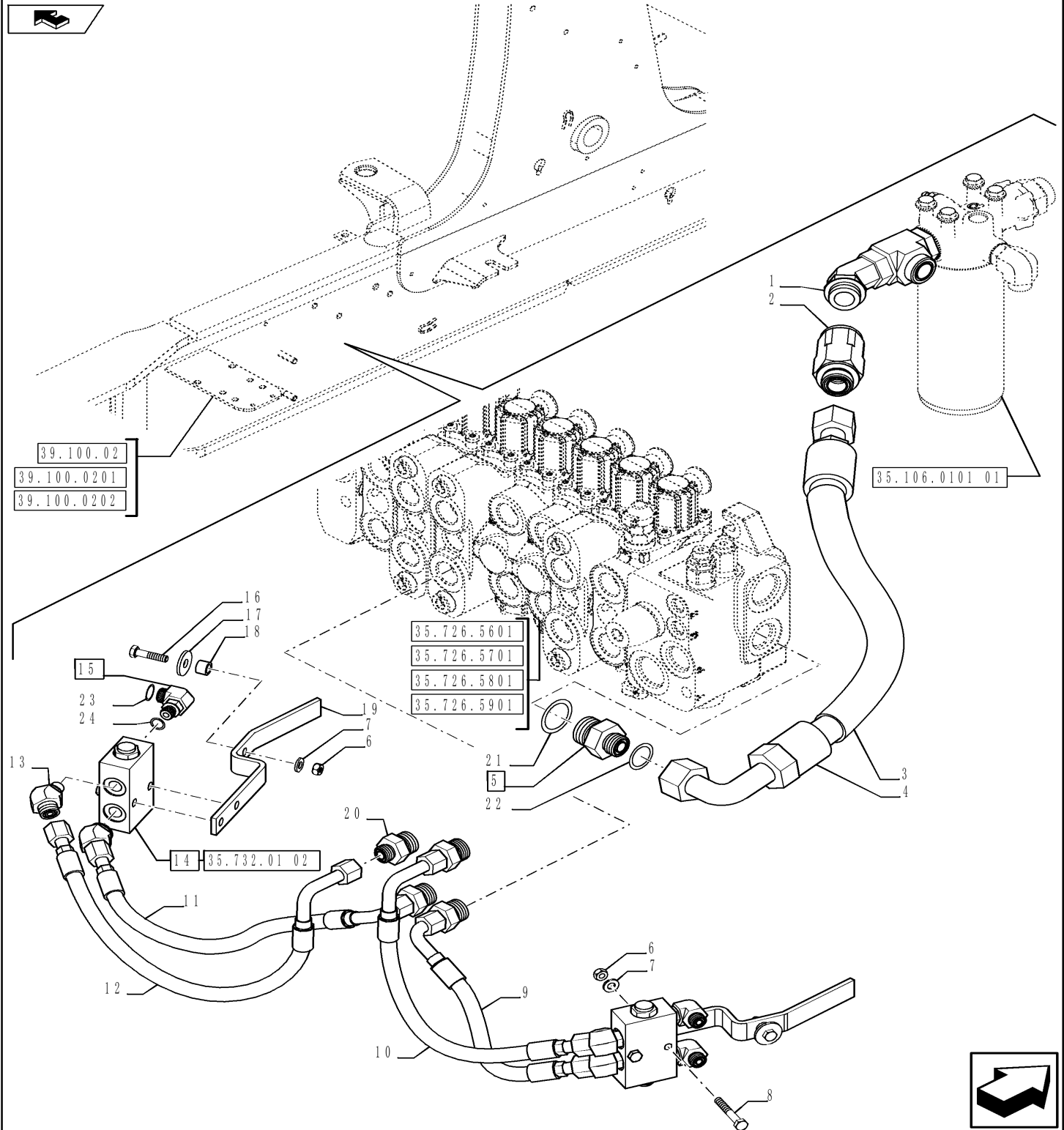
Figure is Valid for Industrial Var. 17BD00229; C9006 Before Date 29 September 2012

35.732.0101

p1

9/2020

VAR - X20233X - HYDRAULICS - CHECK VALVE INSTALL, STABILIZER CYLINDERS

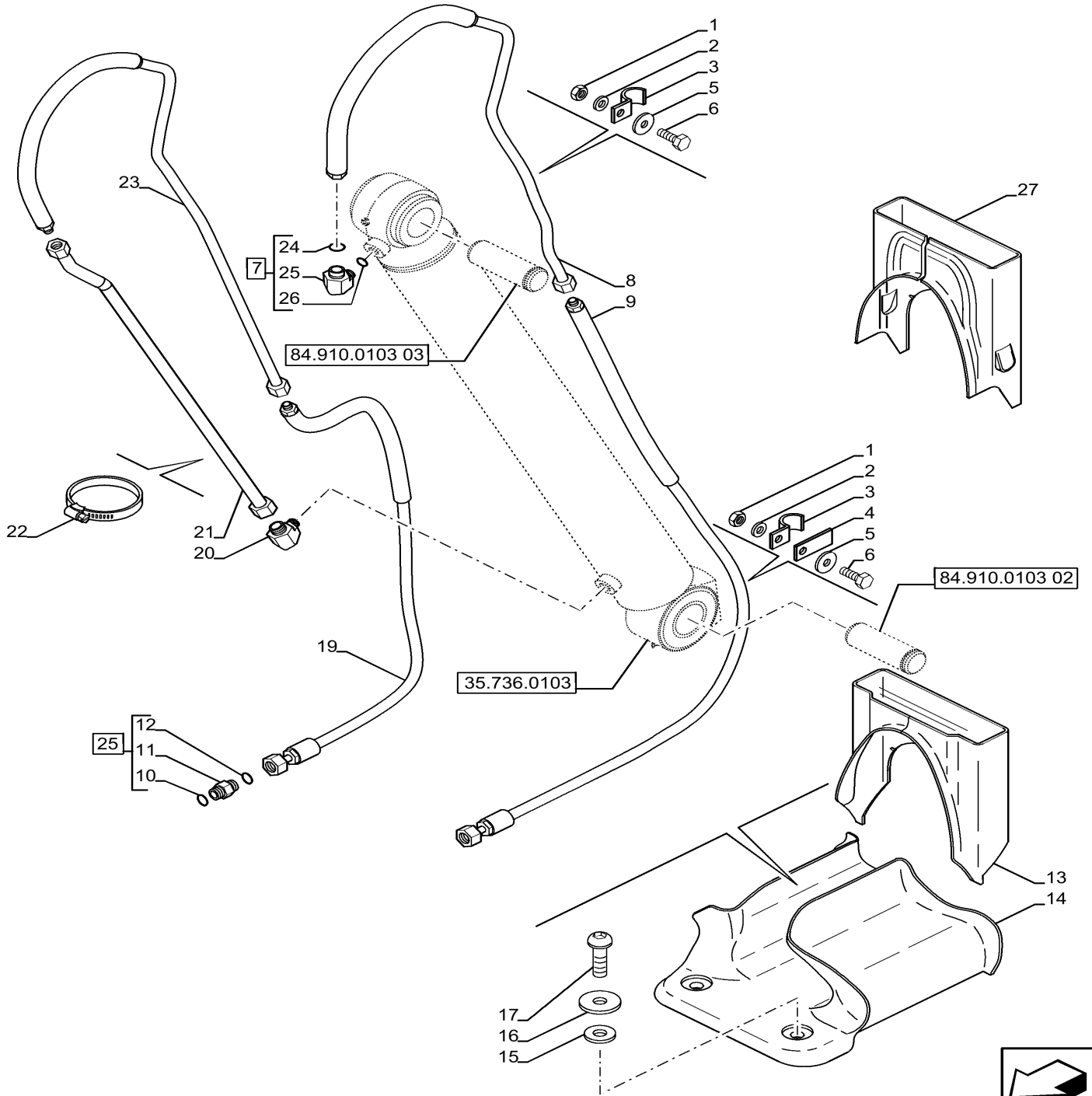


35.736.0203

p2

9/2020

BOOM CYLINDER LINES



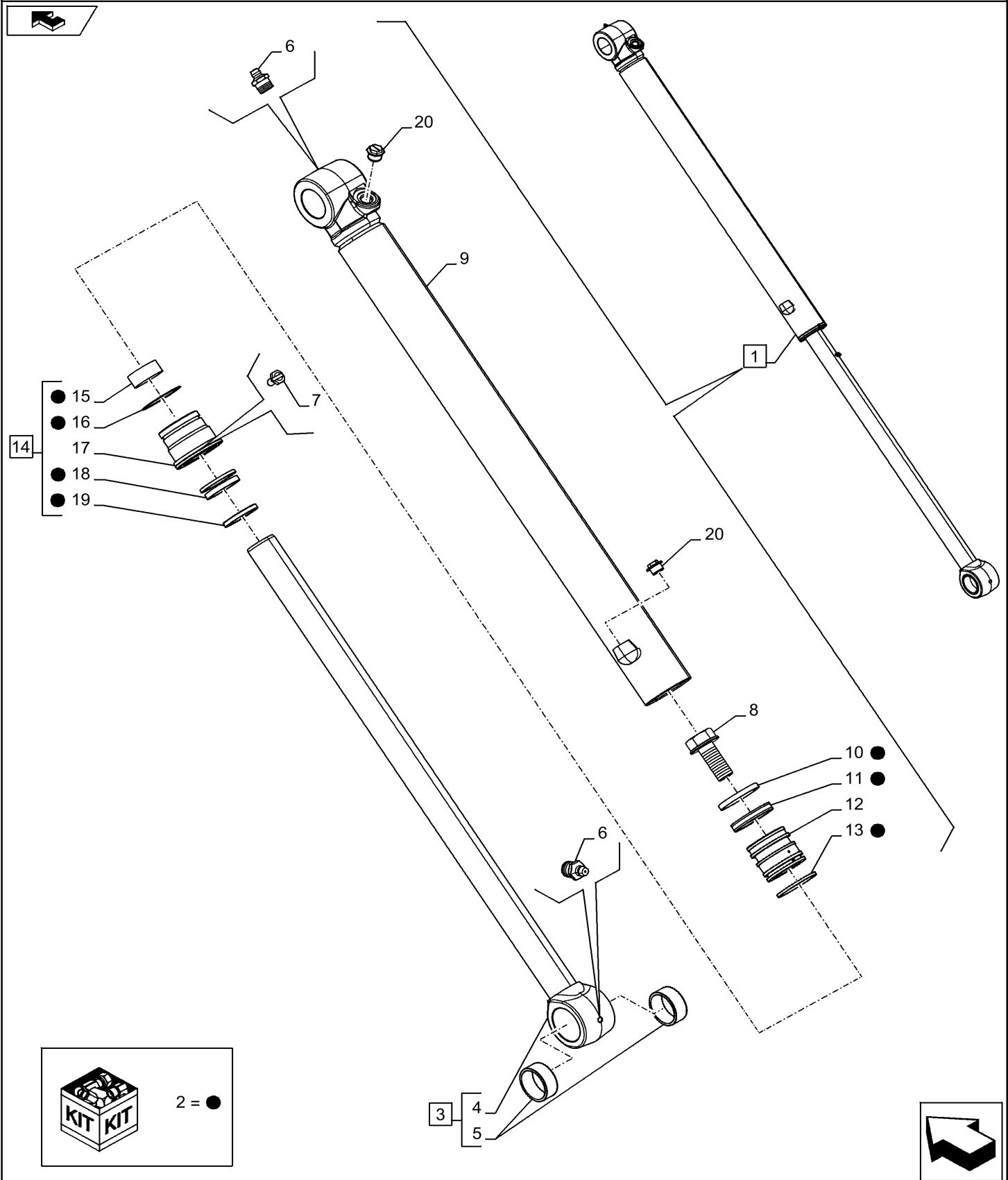
D9005 After Date 26 April 2012

35.738.0101

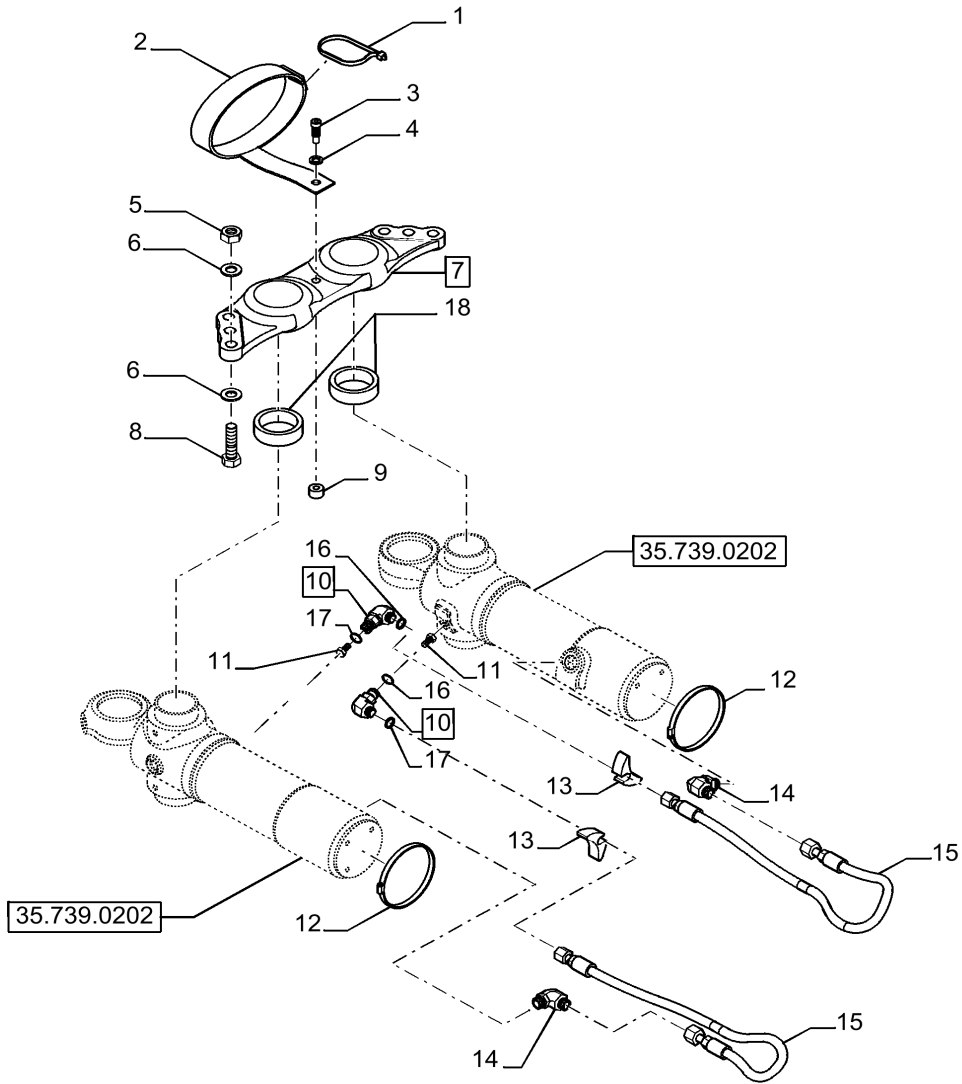
p1

9/2020

VAR - 423075, 423076 - BACKHOE ARM, BUCKET CYLINDER, COMPONENTS



SWING CYLINDER ATTACHMENT - HYDR LINES

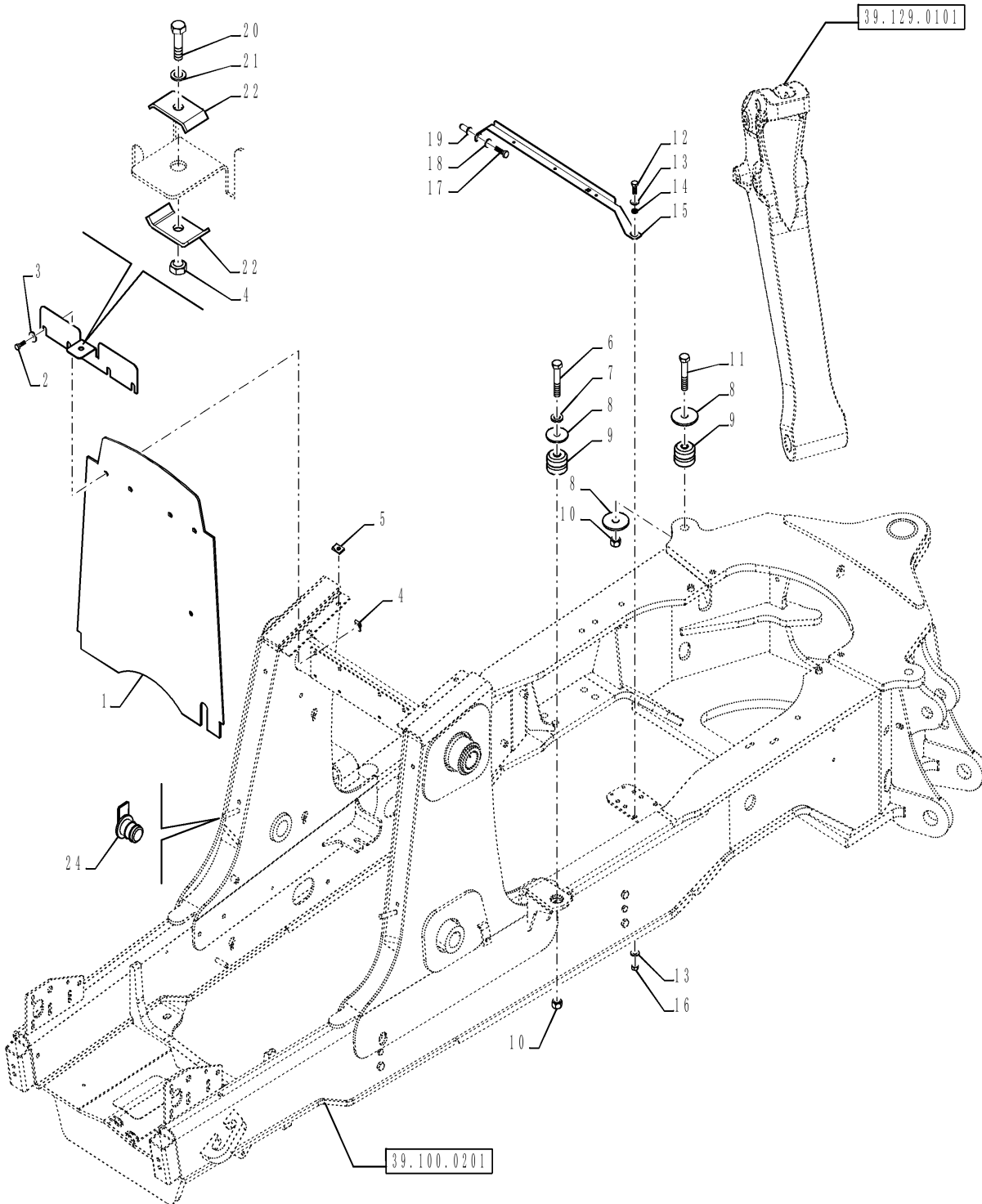


39.100.0101

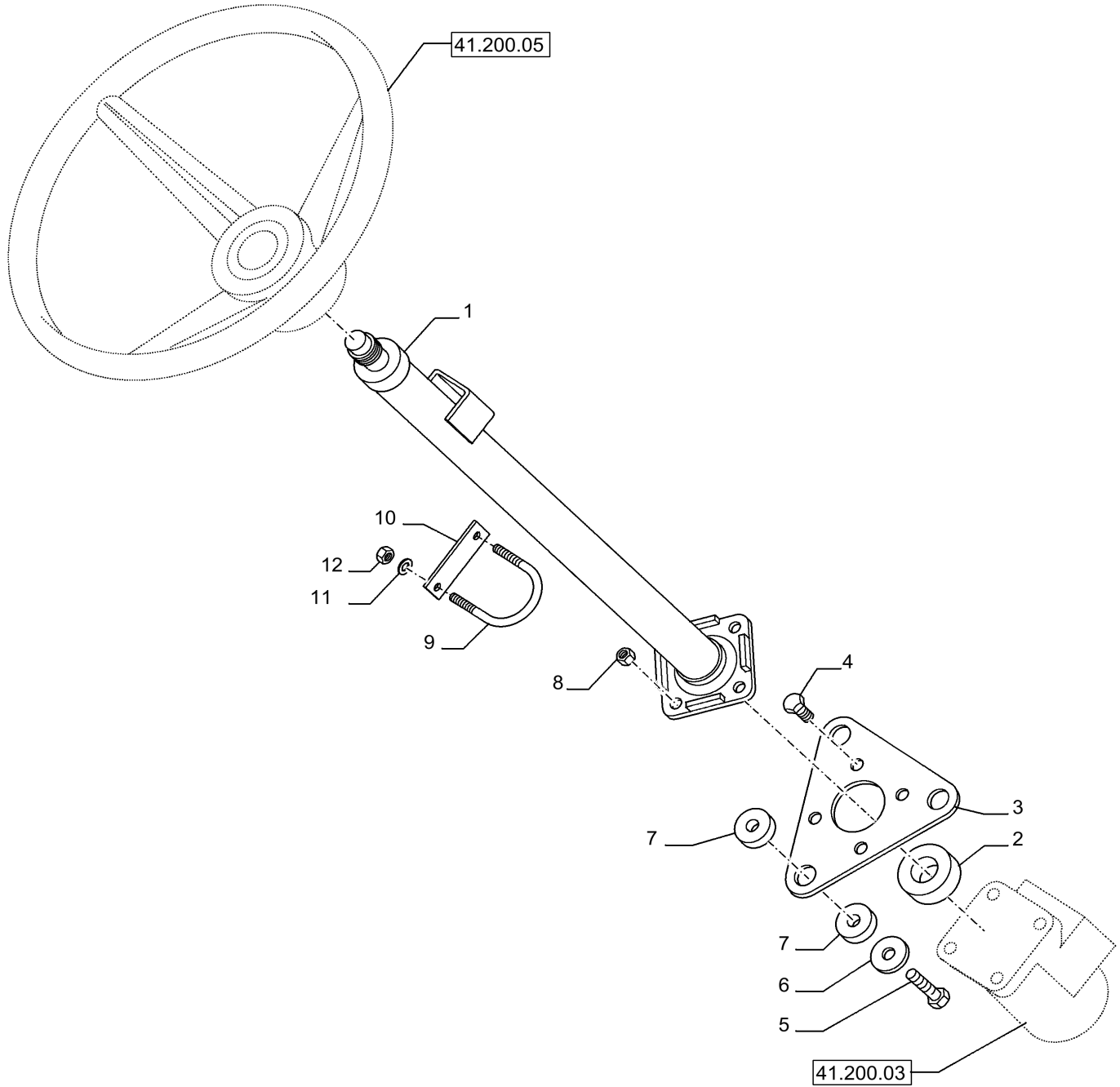
p1

9/2020

FRAME



STEERING COLUMN, CAB

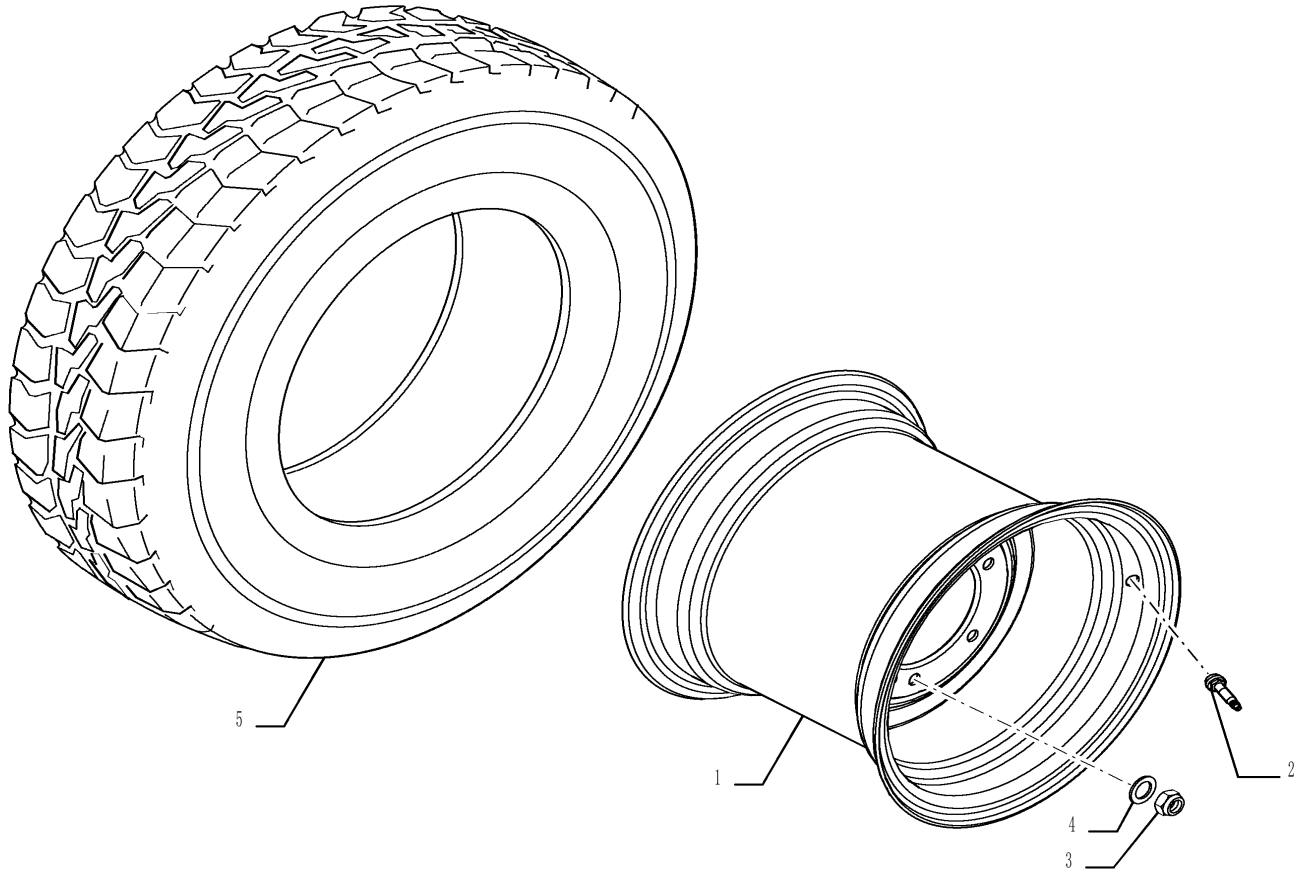


44.511.02

p1

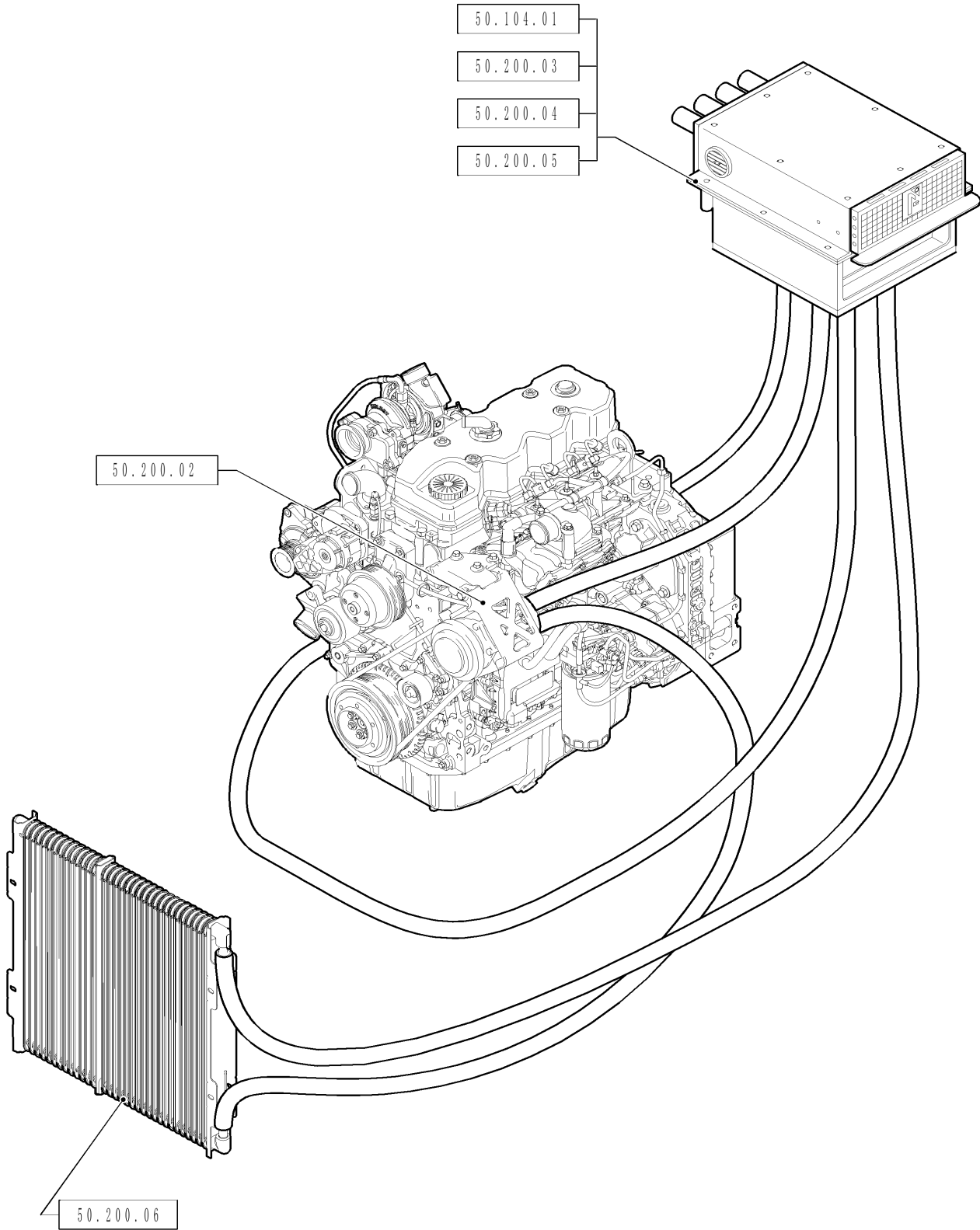
9/2020

VAR - 9200015 - FRONT WHEEL ASSY - 4WD



Group is Valid for Var. 9200015

PICTORIAL INDEX - CAB CLIMATE CONTROL



---

## SECTION INDEX

### ELECTRICAL SYSTEMS

---

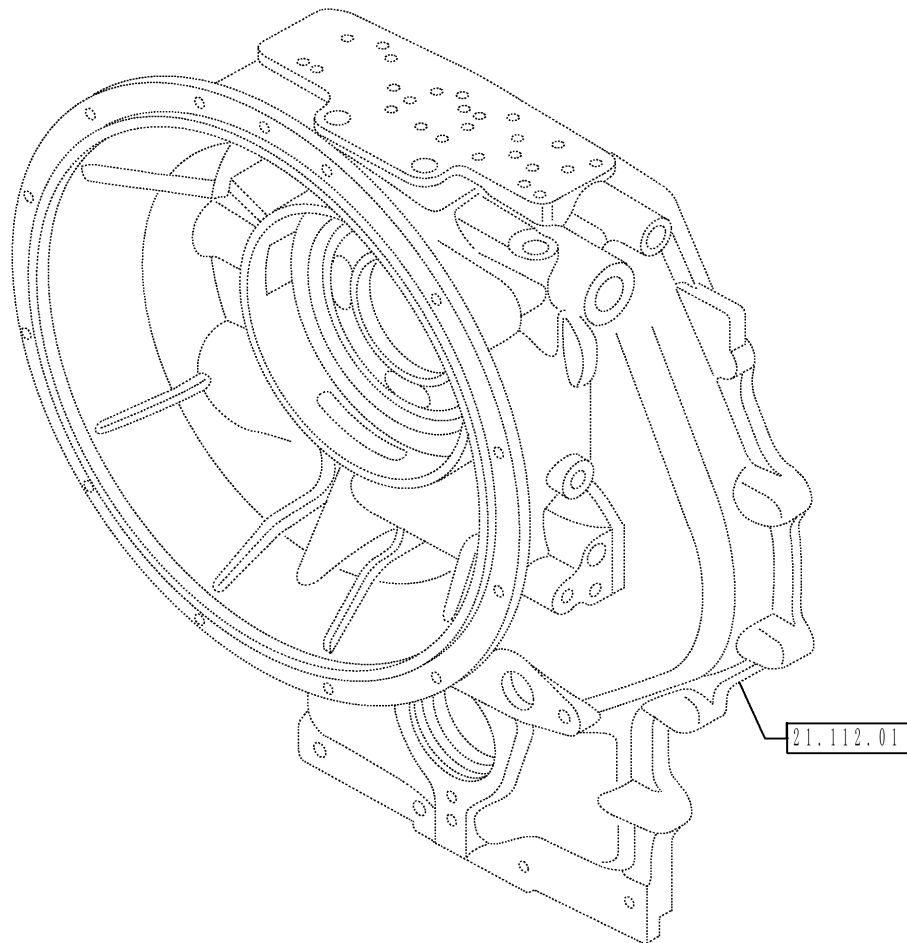
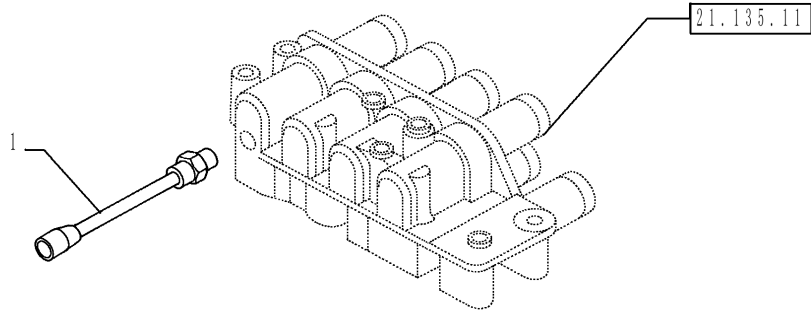
55.000.00	01	PICTORIAL INDEX - ELECTRICAL SYSTEM
55.000.00	02	PICTORIAL INDEX - ELECTRICAL SYSTEM
55.000.00	03	PICTORIAL INDEX - ELECTRICAL SYSTEM
55.000.00	04	PICTORIAL INDEX - ELECTRICAL SYSTEM
55.011.01		FUEL TANK - FUEL GAUGE
55.014.01		MUFFLER - SENSOR
55.014.02		SWITCH AIR RESTRICTION
55.015.01		ECU
55.020.01		VAR - 423062 - ELECTRICAL PARTS - TRANSMISSION - POWERSHIFT S TYPE
55.020.02		VAR - 423061 - ELECTRICAL PARTS - TRANSMISSION - 4WD POWERSHIFT S TYPE
55.020.03	01	VAR - 423062 - TRANSMISSION, POWERSHIFT, SPEED SENSOR
55.020.03	02	VAR - 423062 - TRANSMISSION, POWERSHIFT, SENSOR, THERMOSTAT
55.020.03	03	VAR - 423062 - TRANSMISSION, POWERSHIFT, TEMPERATURE SENDER
55.020.04		ELECTRICAL PARTS - AUTO RIDE CONTROL, STANDARD, 4WD, TRANSMISSION
55.020.11		VAR 743062 - ELECTRICAL PARTS - TRANSMISSION - POWERSHIFT H-TYPE
55.021.01		TRANSMISSION - 4WD POWERSHIFT H TYPE - VALVE, CONTROL
55.023.01		VAR - 423060 - TRANSMISSION - POWERSHIFT S-TYPE - SHIFTER MECHANISM
55.023.02		VAR - 423011 - COMFORT STEER - SHIFTER MECHANISM
55.024.01		TRANSMISSION - 4WD POWERSHIFT H TYPE - VALVE, CONTROL
55.024.02		VAR - 423062 - HARNESS, POWERSHIFT, JUMPER
55.024.03		VAR - 423060, 423061, 423062 - CONTROL UNIT, TRANSMISSION
55.031.01		VAR - 423058, 423059, 423060. 423061, 423062 - PARKING BRAKE, CONTROL VALVE, SOLENOID
55.031.02		VAR - 423058, 423059, 423060. 423061, 423062 - PARKING BRAKE, PRESSURE SWITCH
55.031.03		STOP LIGHT, PRESSURE SWITCH
55.047.01		VAR - 423011 - COMFORT STEERING
55.051.01		BLOWER SWITCH
55.100.01		ELECTRICAL PARTS - ENGINE INSTALL - INSTRUMENTS
55.100.02		MAIN FRAME - HARNESS - W/ STANDARD TRANSMISSION - W/ CAB
55.100.0201		MAIN FRAME - HARNESS - W/ POWER TRANSMISSION - W/ CAB
55.100.0202		MAIN FRAME - HARNESS - W/ STANDARD TRANSMISSION - W/O CAB
55.100.0203		MAIN FRAME - HARNESS - W/ POWER TRANSMISSION - W/O CAB
55.100.03		ELECTRICAL - STANDARD RIDE CONTROL
55.100.06		ELECTRICAL PARTS - PUMP

55.021.01

p1

9/2020

TRANSMISSION - 4WD POWERSHIFT H TYPE - VALVE, CONTROL

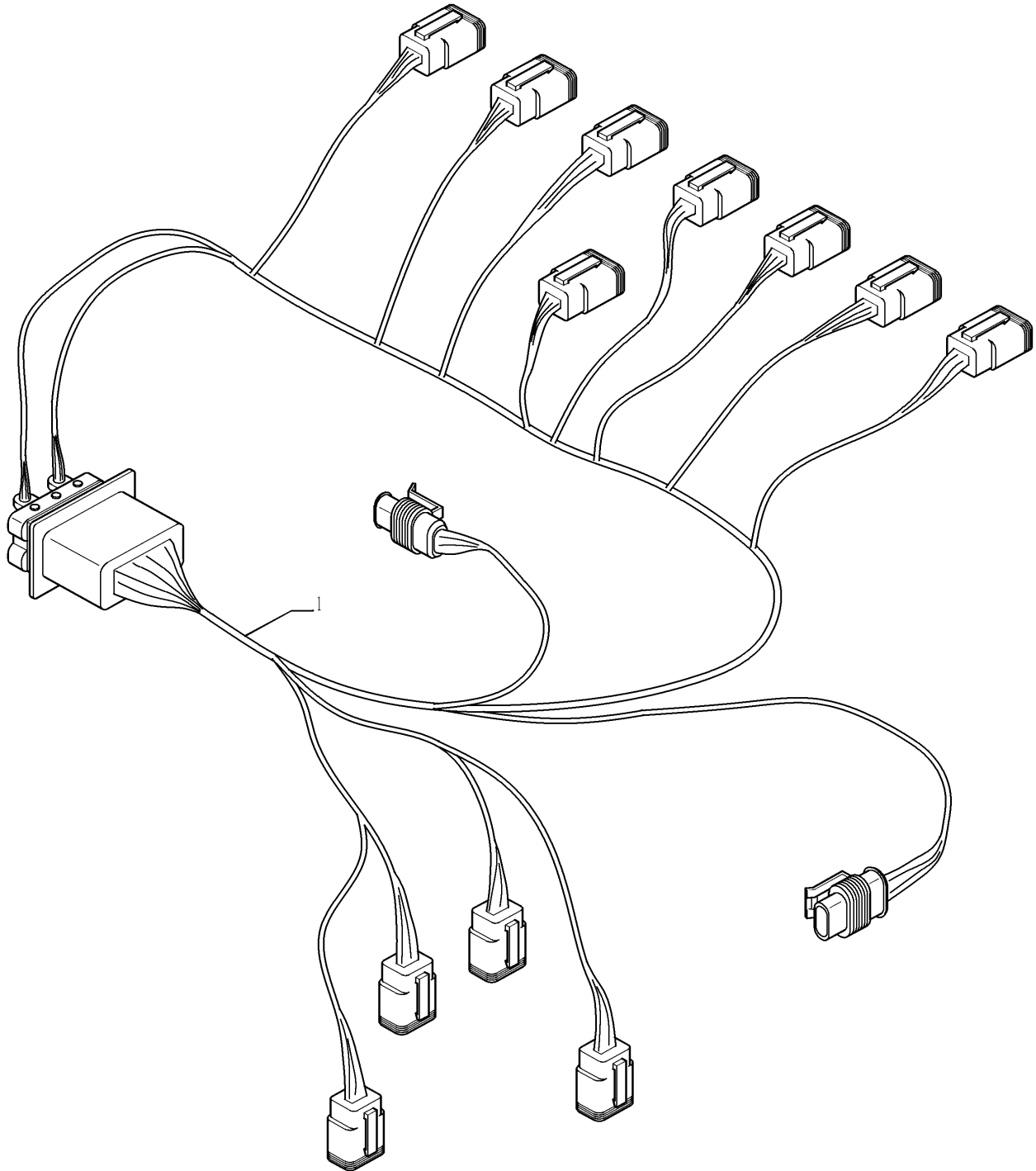


**55.100.30**

p1

9/2020

VAR - 423060, 423061 - HARNESS, TRANSMISSION 2WD / 4WD POWERSHIFT S-TYPE - CONTROL VALVE

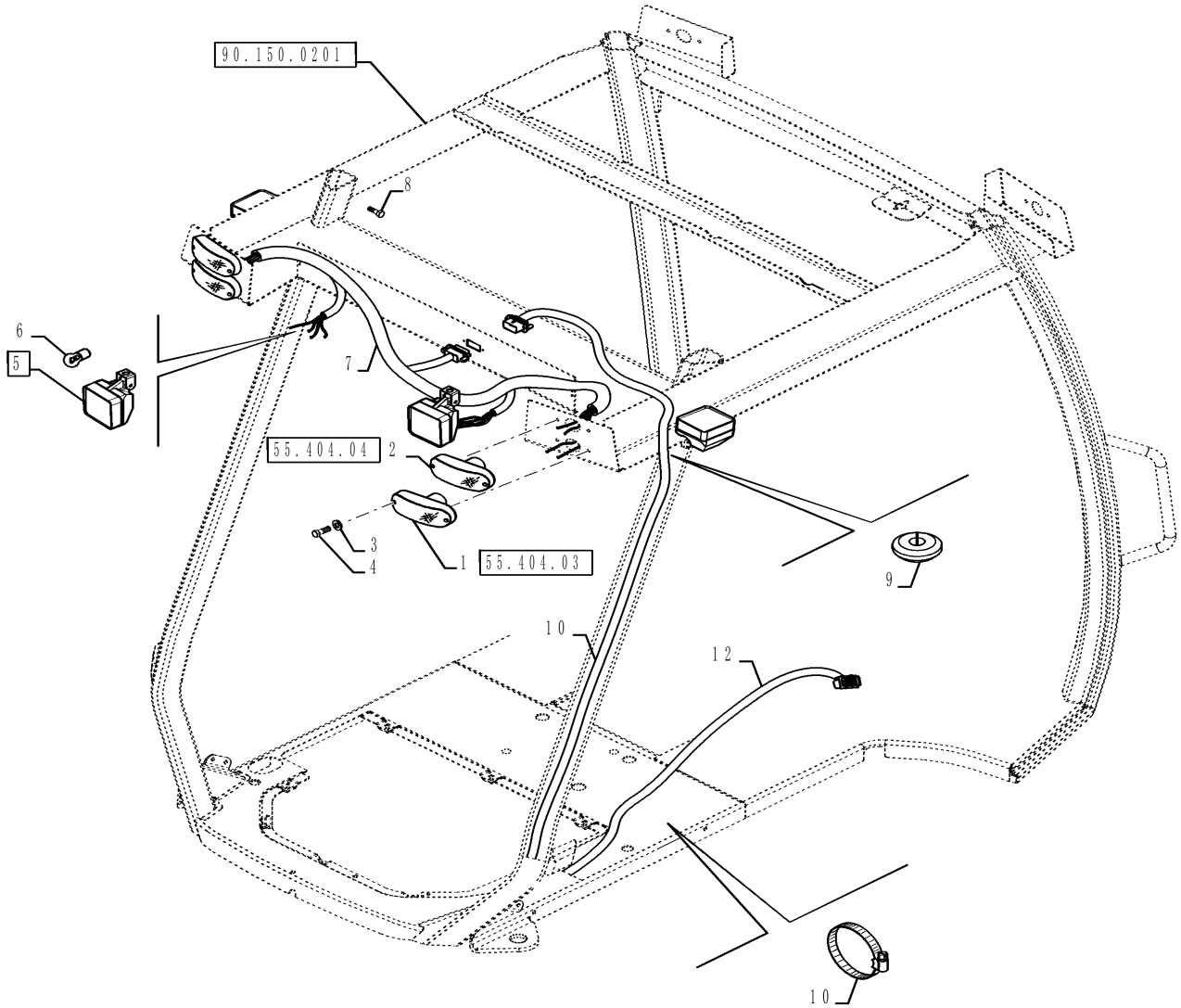


55.404.0201

p1

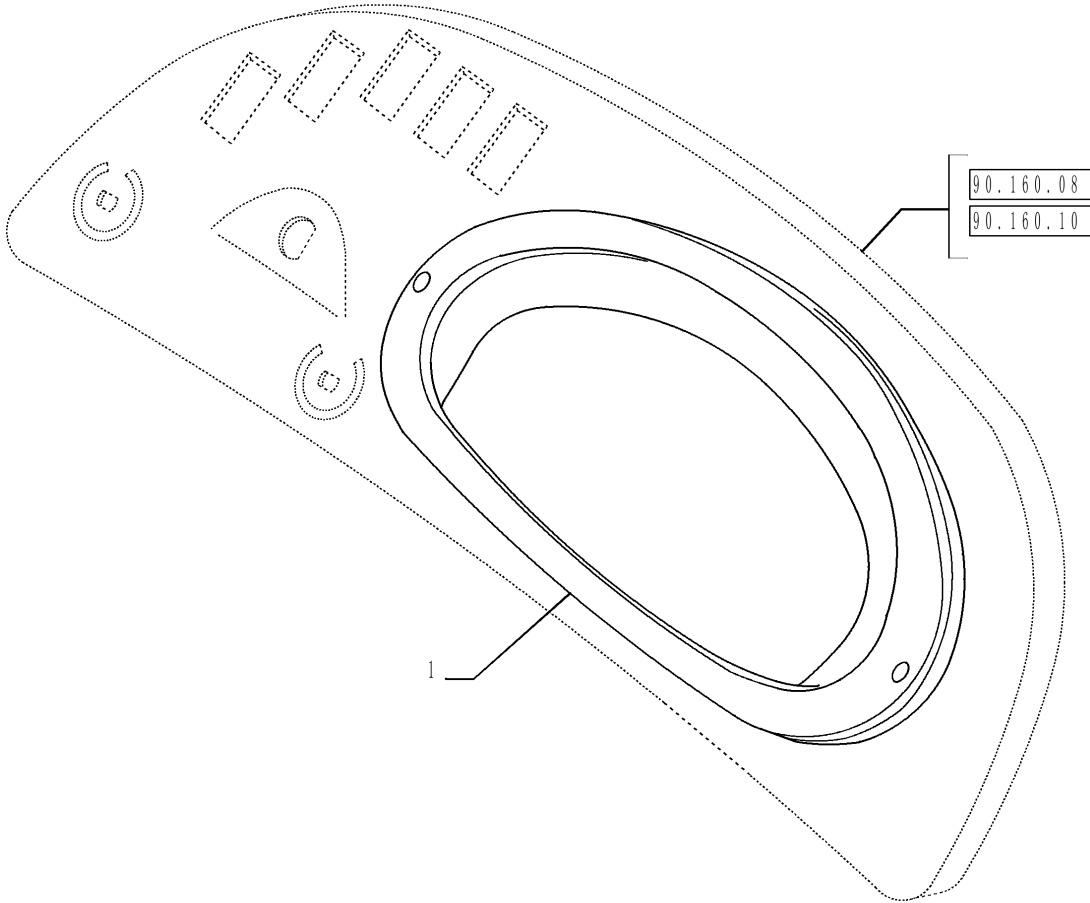
9/2020

VAR - 423000, 442082 - CANOPY, ROPS - LAMP, HARNESS



D7337 After Date 11 January 2014

ELECTRICAL - INSTRUMENT CLUSTER



55.512.2402

02

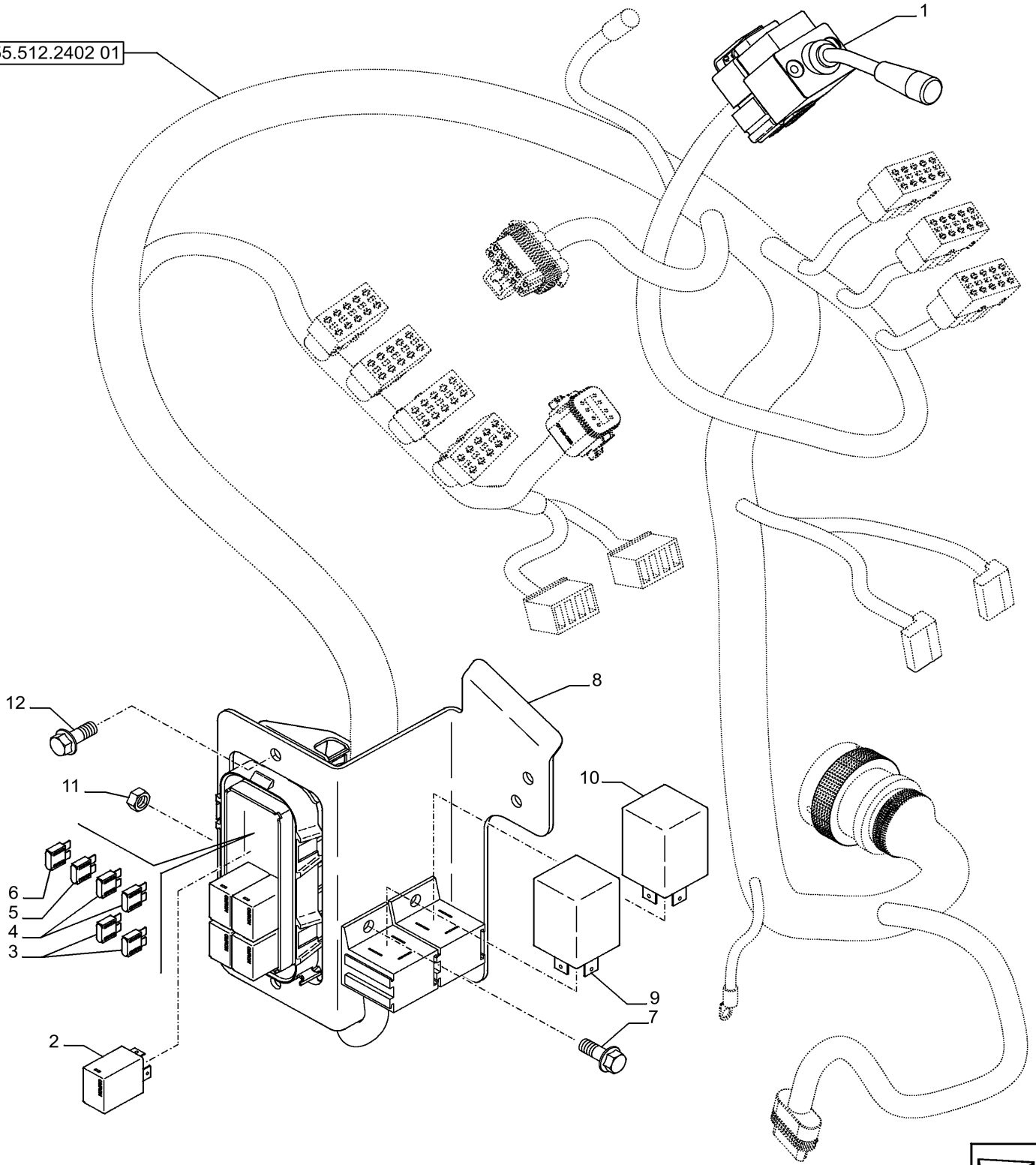
p1

9/2020

INSTRUMENT PANEL, FUSE BOX (OPTION) - TRANSMISSION (STANDARD)



55.512.2402 01

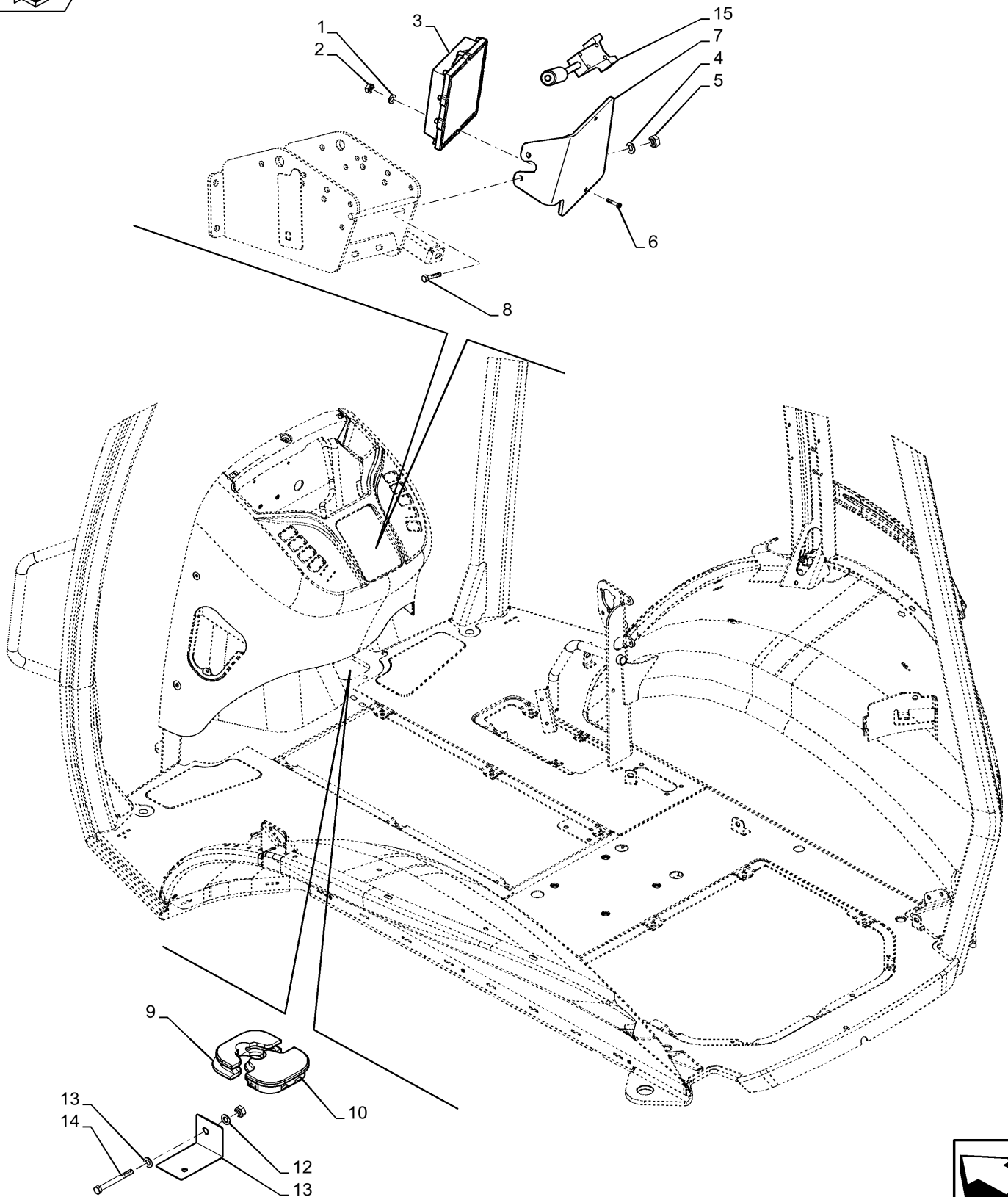


55.512.2801

p1

9/2020

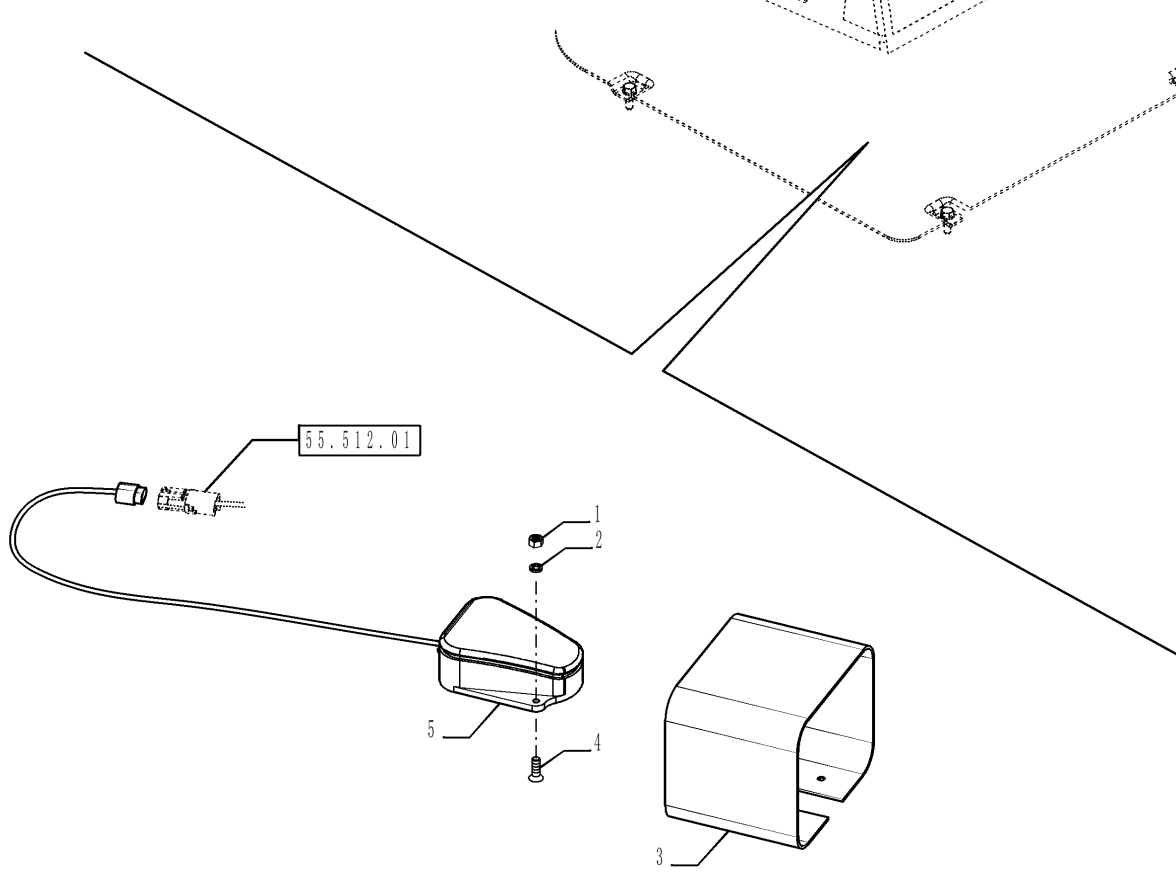
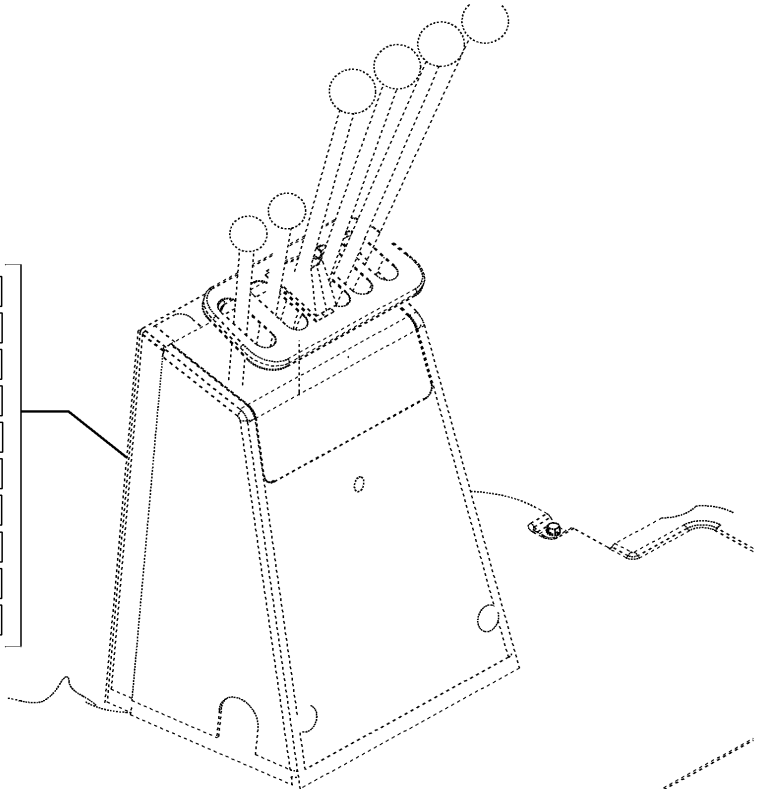
VAR - 423060, 423061- TRANSMISSION, POWERSHIFT ( S-TYPE ), CONTROL UNIT, TOGGLE SWITCH



VAR - 423083 - CONTROL BACKHOE LOCK SWITCH



- 35.726.1910
- 35.726.1909
- 35.726.1908
- 35.726.1907
- 35.726.1906
- 35.726.1905
- 35.726.1904
- 35.726.1903
- 35.726.19 03
- 35.726.19 01

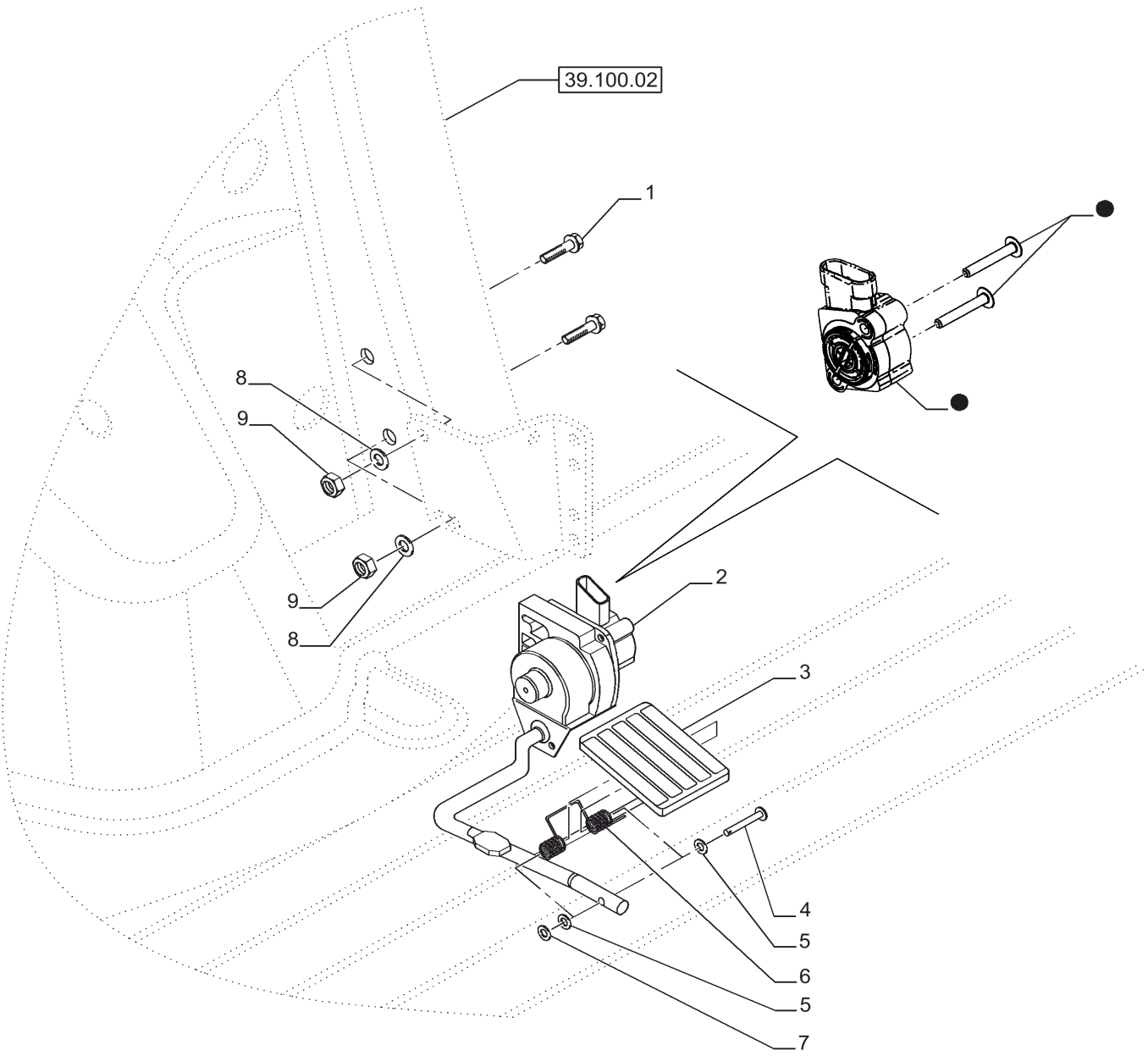


55.525.01

p1

9/2020

THROTTLE - FOOT - ASM



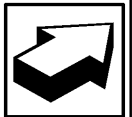
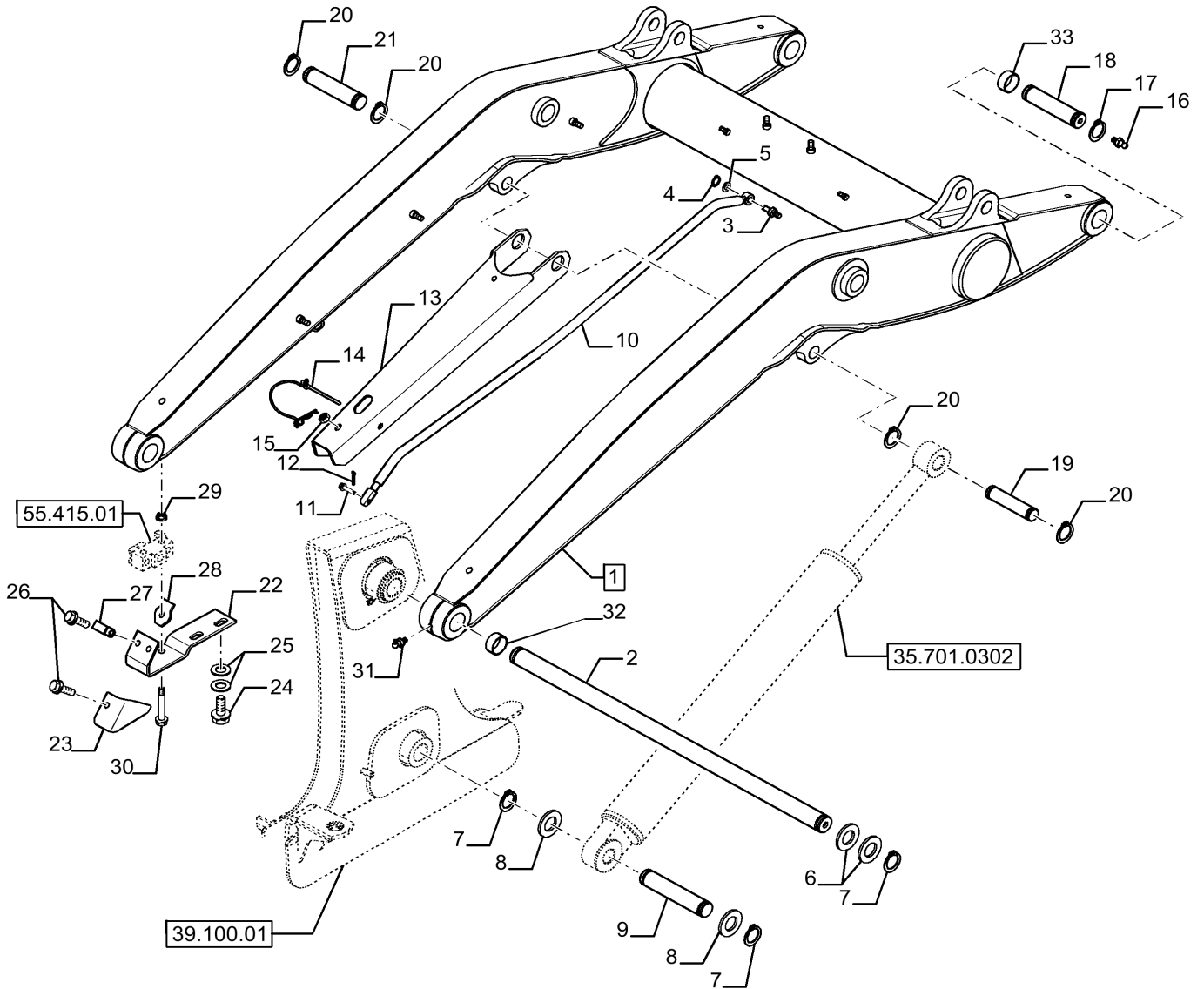
82.100.0101

01

p1

9/2020

FRAME - LOADER LIFT



CLICK HERE TO **DOWNLOAD** THE COMPLETE MANUAL

- Thank you very much for reading the preview of the manual.
- You can download the complete manual from: [www.heydownloads.com](http://www.heydownloads.com) by clicking the link below



- Please note: If there is no response to CLICKING the link, please download this PDF first and then click on it.

CLICK HERE TO **DOWNLOAD** THE COMPLETE MANUAL

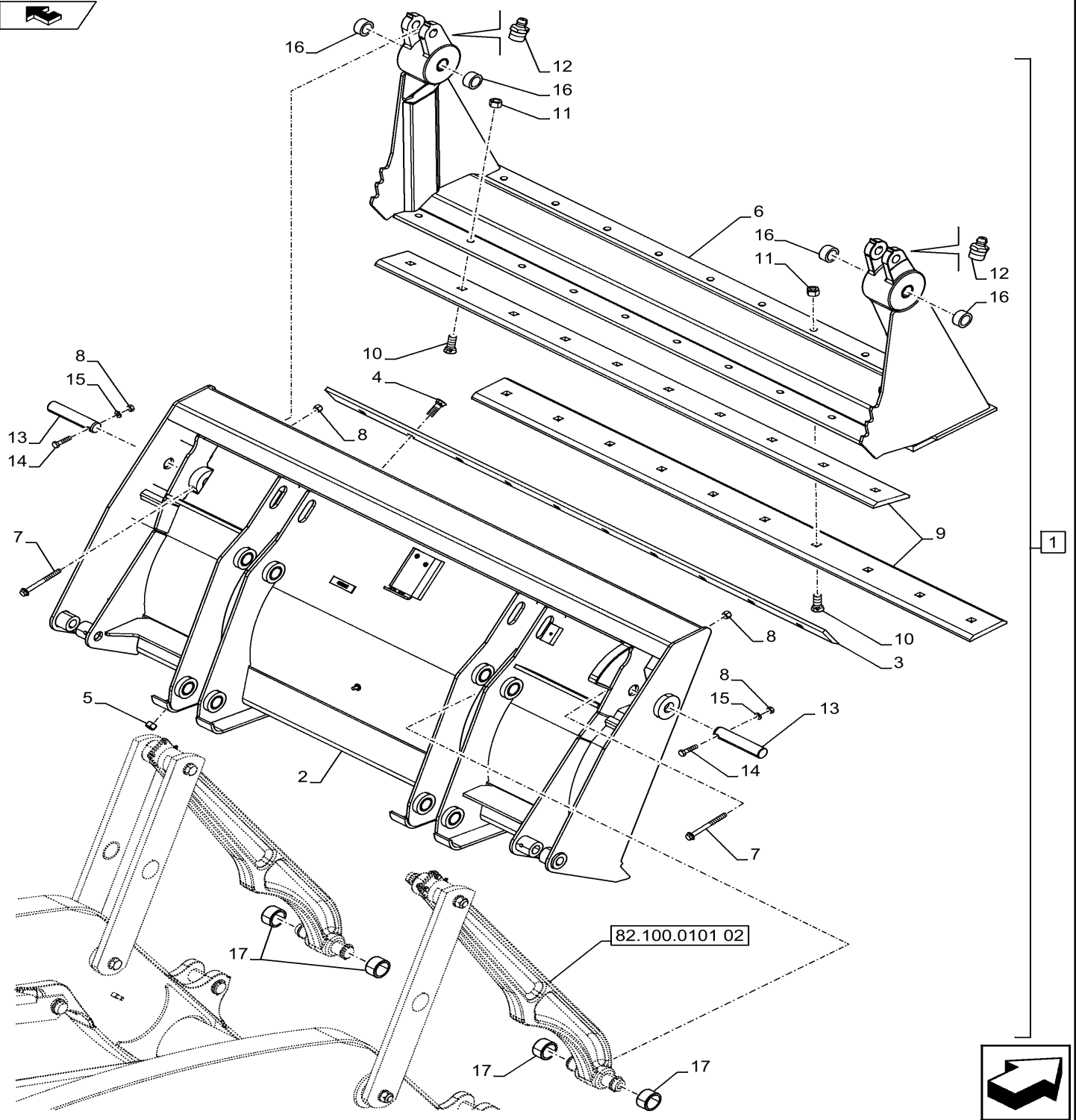
82.100.08

01B

p1

9/2020

VAR - 742433 - BUCKET, 1.2 YD - 93 INCH/2362MM 4-IN-1 - D7385



Group is Valid for Var. 742433; D7385 After Date 10 January 2014

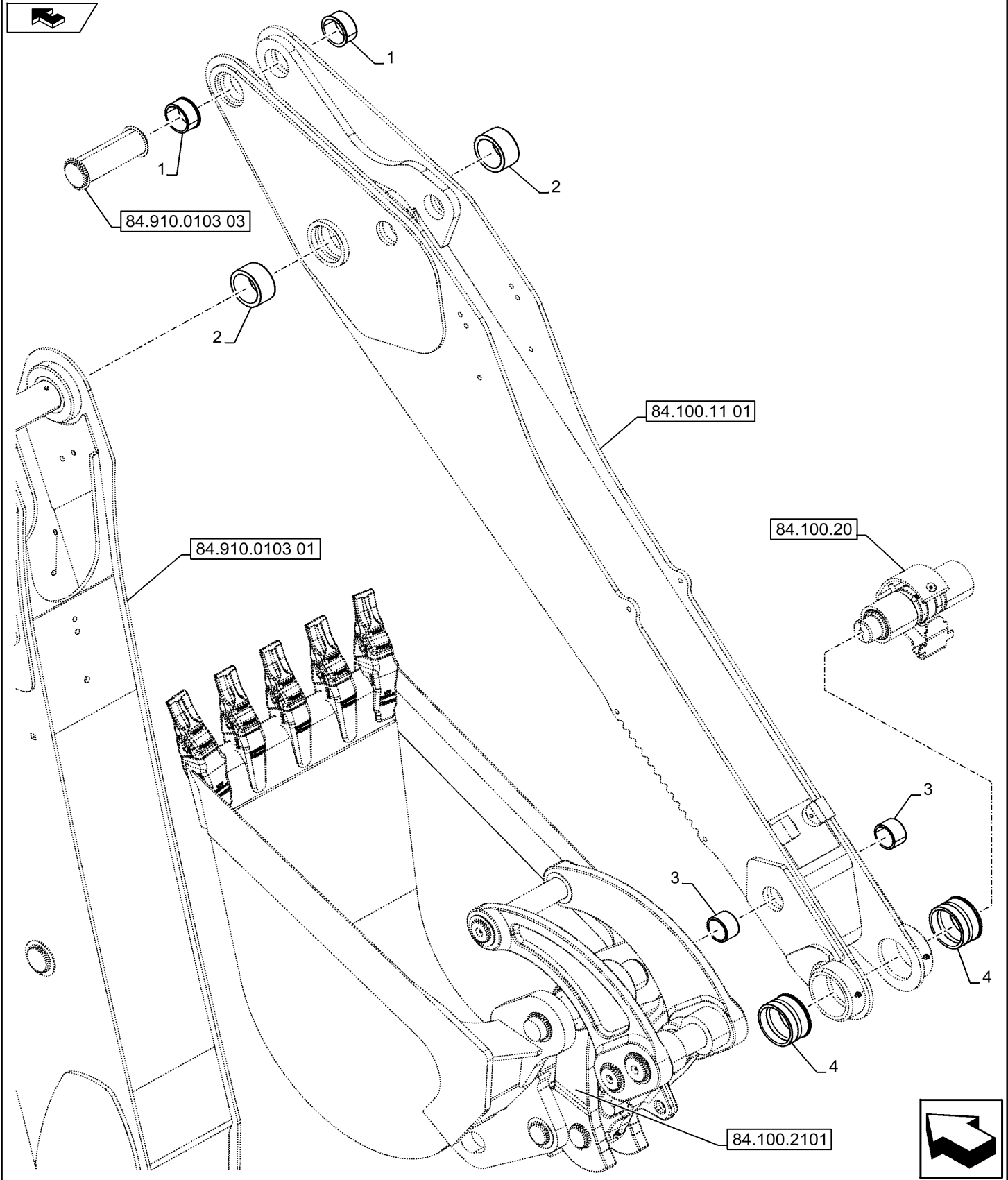
84.100.11

02

p1

9/2020

STANDARD DIPPER, W/ HYDRAULIC COUPLER, BUSHINGS

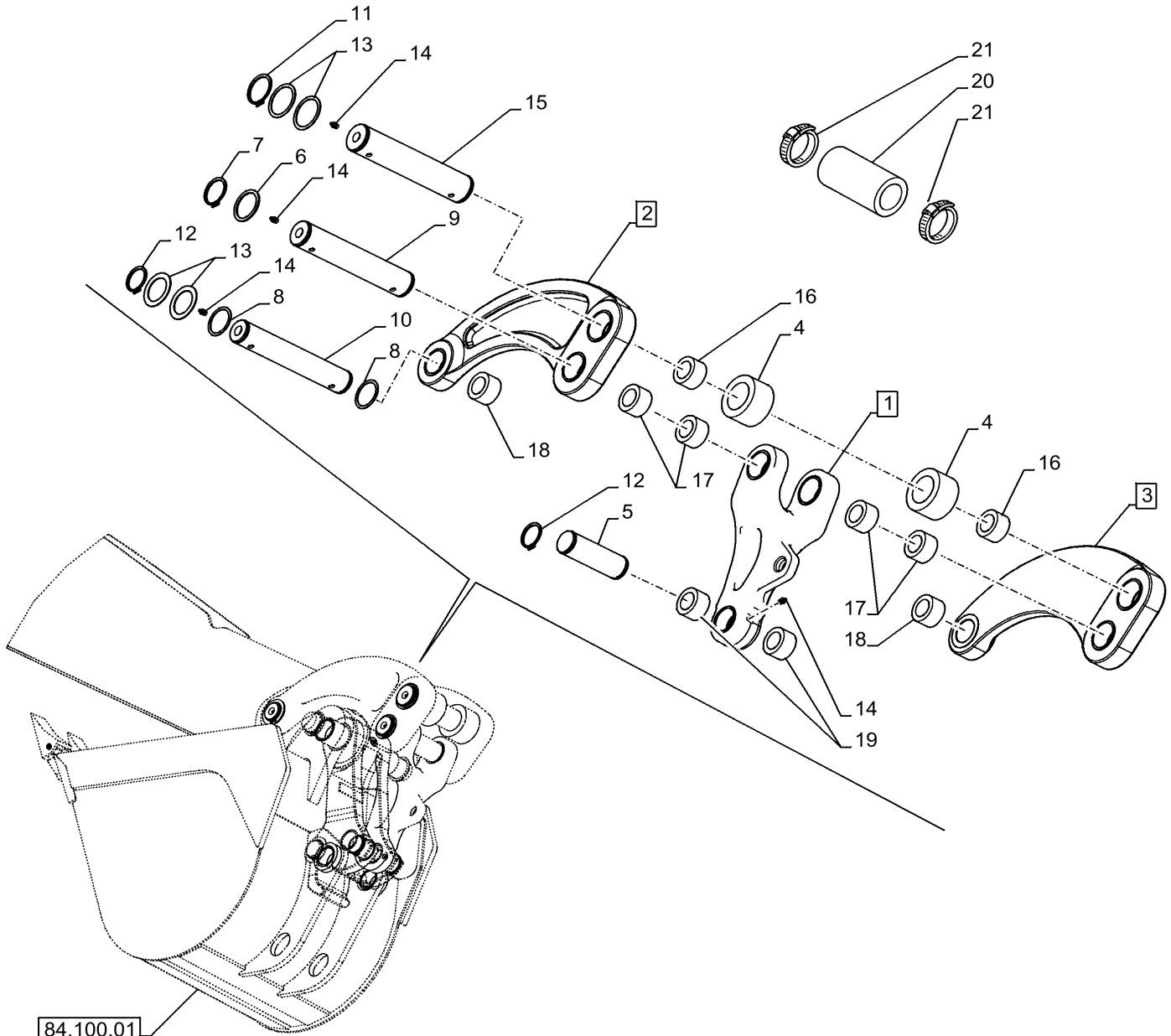


84.100.1905

p1

9/2020

VAR - X20039X - BACKHOE BUCKET, COUPLING, MECHANICAL

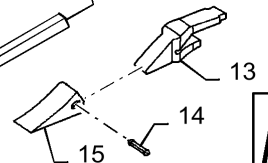
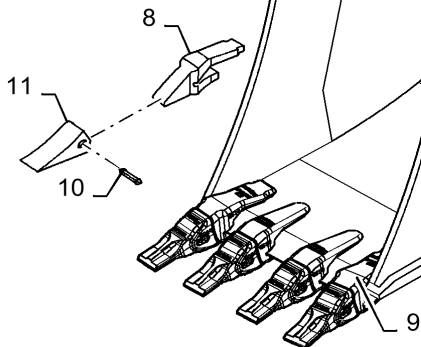
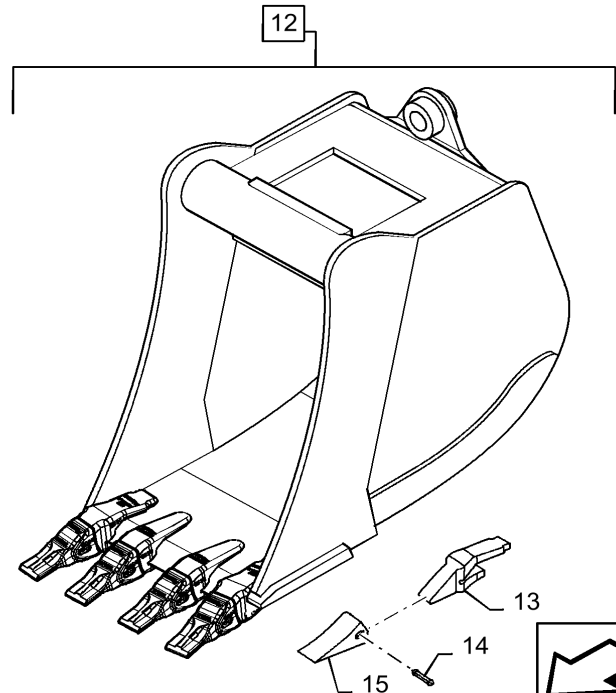
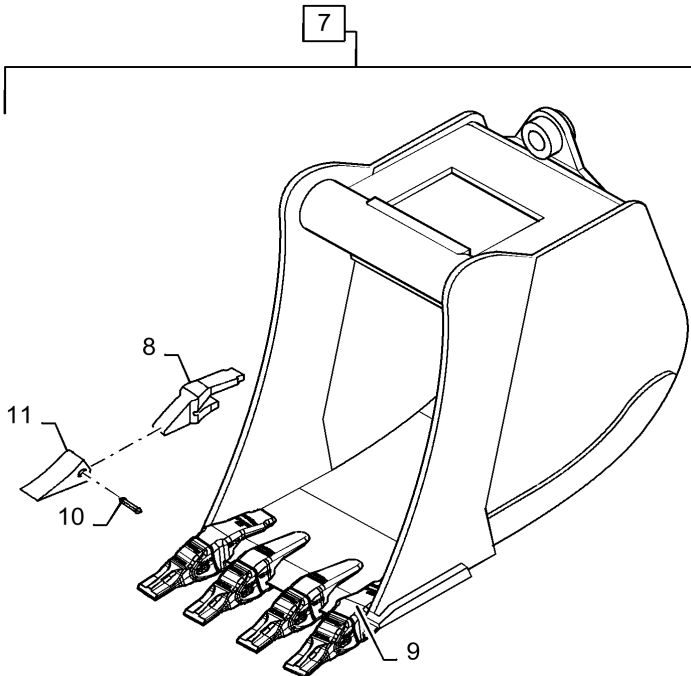
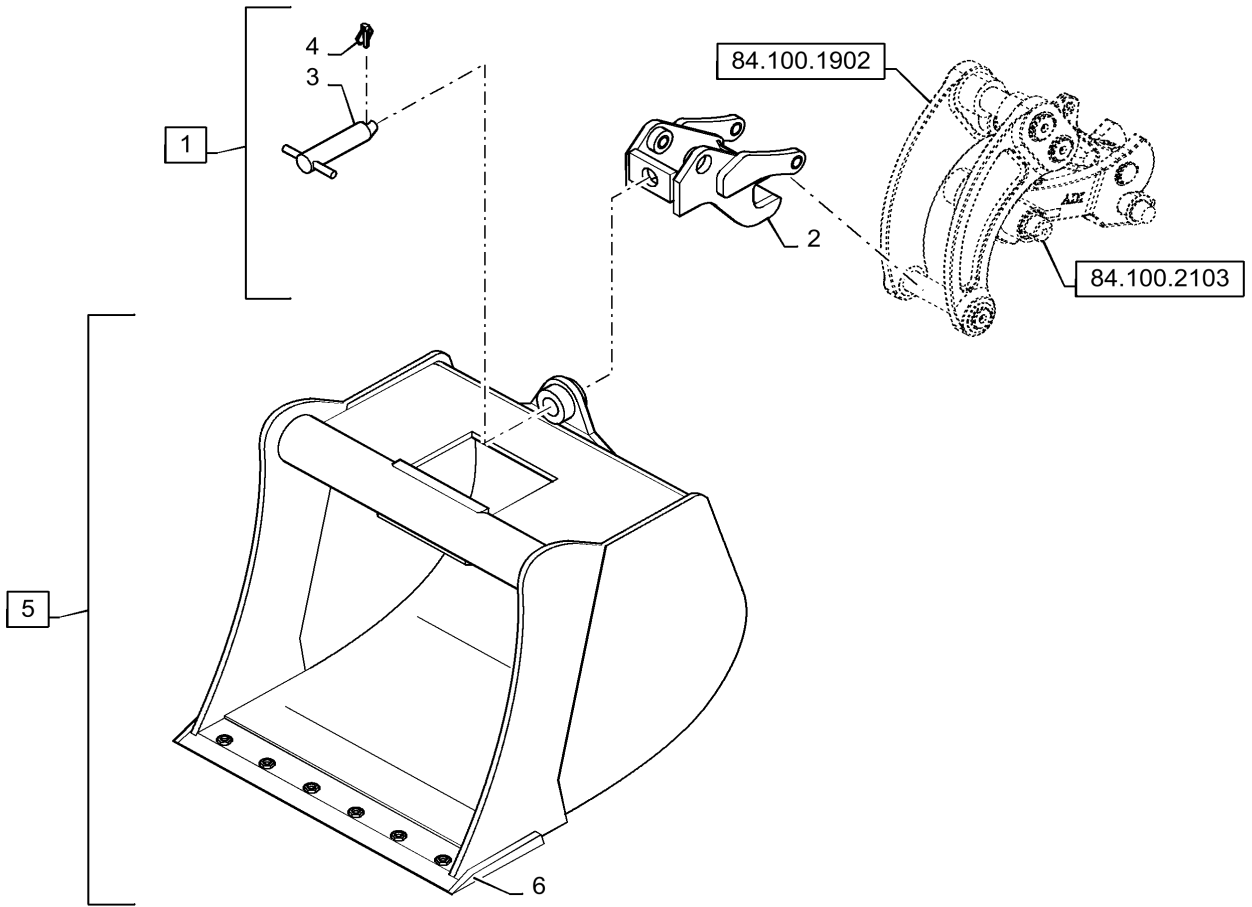


84.100.23

p1

9/2020

DIA KIT, QUICK-HITCH, BUCKET - WR QC30



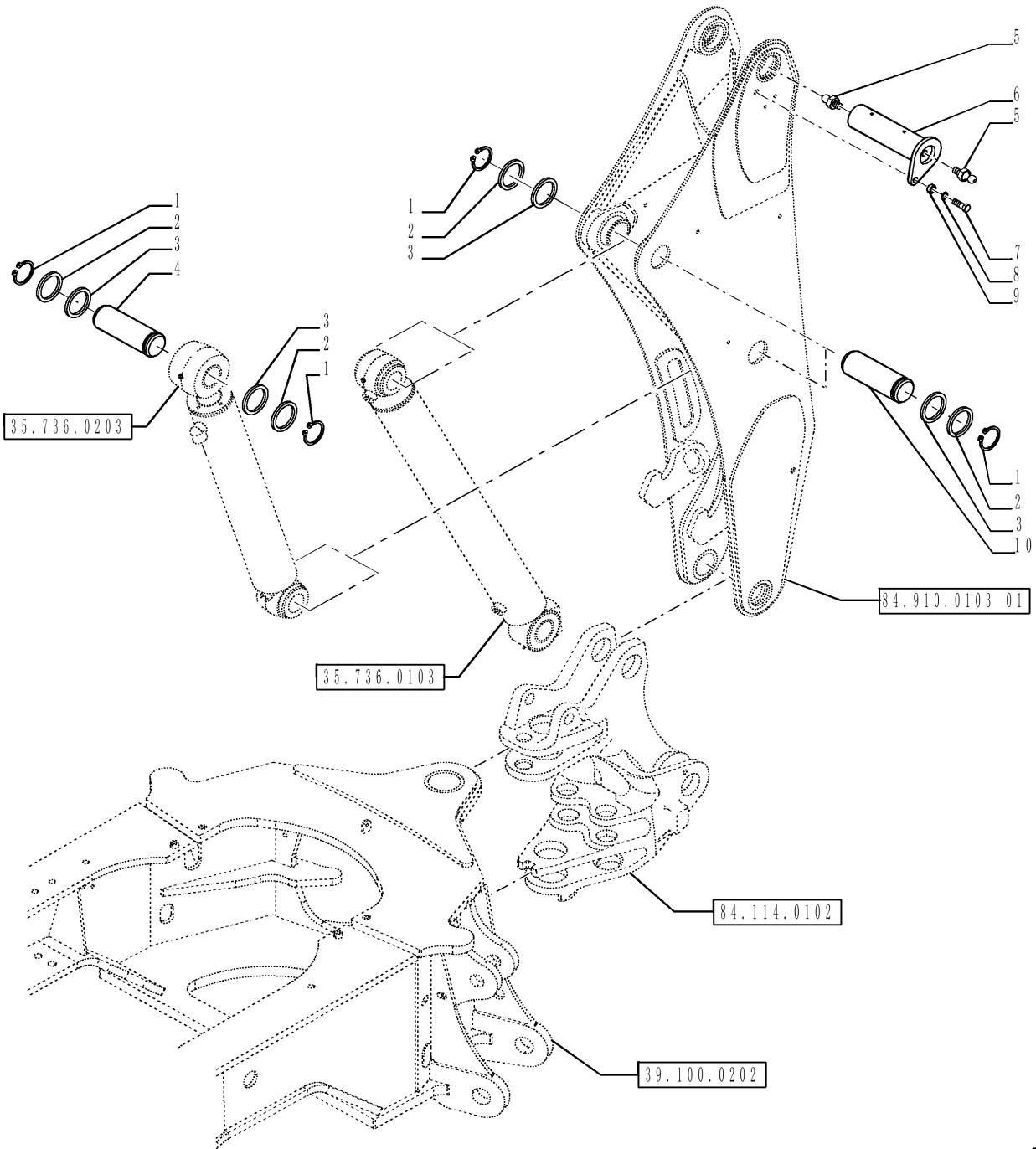
84.910.0103

03

p1

9/2020

BOOM - ASSEMBLY



---

## SECTION INDEX

### ACCESSORIES

---

88.084.14	04	DIA KIT, CONVERT STANDARD DIPPER TO EXTENDABLE HOE HAND SWING
88.084.14	05	DIA KIT, CONVERT STANDARD DIPPER TO EXTENDABLE HOE HAND SWING
88.084.14	06	DIA KIT, CONVERT STANDARD DIPPER TO EXTENDABLE HOE HAND SWING
88.084.14	07	DIA KIT, CONVERT STANDARD DIPPER TO EXTENDABLE HOE HAND SWING
88.084.14	08	DIA KIT, CONVERT STANDARD DIPPER TO EXTENDABLE HOE HAND SWING
88.084.14	09	DIA KIT, CONVERT STANDARD DIPPER TO EXTENDABLE HOE HAND SWING
88.084.14	10	DIA KIT, CONVERT STANDARD DIPPER TO EXTENDABLE HOE HAND SWING
88.084.14	11	DIA KIT, CONVERT STANDARD DIPPER TO EXTENDABLE HOE HAND SWING
88.084.15	01	DIA KIT, CONVERT STANDARD DIPPER TO EXTENDABLE HOE WITH FOOT SWING
88.084.15	02	DIA KIT, CONVERT STANDARD DIPPER TO EXTENDABLE HOE WITH FOOT SWING
88.084.15	03	DIA KIT, CONVERT STANDARD DIPPER TO EXTENDABLE HOE WITH FOOT SWING
88.084.15	04	DIA KIT, CONVERT STANDARD DIPPER TO EXTENDABLE HOE WITH FOOT SWING
88.084.15	05	DIA KIT, CONVERT STANDARD DIPPER TO EXTENDABLE HOE WITH FOOT SWING
88.084.15	06	DIA KIT, CONVERT STANDARD DIPPER TO EXTENDABLE HOE WITH FOOT SWING
88.084.15	07	DIA KIT, CONVERT STANDARD DIPPER TO EXTENDABLE HOE WITH FOOT SWING
88.084.15	08	DIA KIT, CONVERT STANDARD DIPPER TO EXTENDABLE HOE WITH FOOT SWING
88.084.15	09	DIA KIT, CONVERT STANDARD DIPPER TO EXTENDABLE HOE WITH FOOT SWING
88.084.15	10	DIA KIT, CONVERT STANDARD DIPPER TO EXTENDABLE HOE WITH FOOT SWING
88.084.15	11	DIA KIT, CONVERT STANDARD DIPPER TO EXTENDABLE HOE WITH FOOT SWING
88.084.15	12	DIA KIT, CONVERT STANDARD DIPPER TO EXTENDABLE HOE WITH FOOT SWING
88.084.16	01	DIA KIT, CONVERT STANDARD DIPPER TO EXTENDABLE HOE WITH HAND SWING
88.084.16	02	DIA KIT, CONVERT STANDARD DIPPER TO EXTENDABLE HOE WITH HAND SWING
88.084.16	03	DIA KIT, CONVERT STANDARD DIPPER TO EXTENDABLE HOE WITH HAND SWING
88.084.16	04	DIA KIT, CONVERT STANDARD DIPPER TO EXTENDABLE HOE WITH HAND SWING
88.084.16	05	DIA KIT, CONVERT STANDARD DIPPER TO EXTENDABLE HOE WITH HAND SWING
88.084.16	06	DIA KIT, CONVERT STANDARD DIPPER TO EXTENDABLE HOE WITH HAND SWING
88.084.16	07	DIA KIT, CONVERT STANDARD DIPPER TO EXTENDABLE HOE WITH HAND SWING
88.084.16	08	DIA KIT, CONVERT STANDARD DIPPER TO EXTENDABLE HOE WITH HAND SWING
88.084.16	09	DIA KIT, CONVERT STANDARD DIPPER TO EXTENDABLE HOE WITH HAND SWING
88.084.16	10	DIA KIT, CONVERT STANDARD DIPPER TO EXTENDABLE HOE WITH HAND SWING
88.084.16	11	DIA KIT, CONVERT STANDARD DIPPER TO EXTENDABLE HOE WITH HAND SWING
88.084.17		DIA KIT, CEMETERY BUCKET - 36IN/939MM
88.084.18		DIA KIT, RIPPER TOOTH

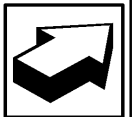
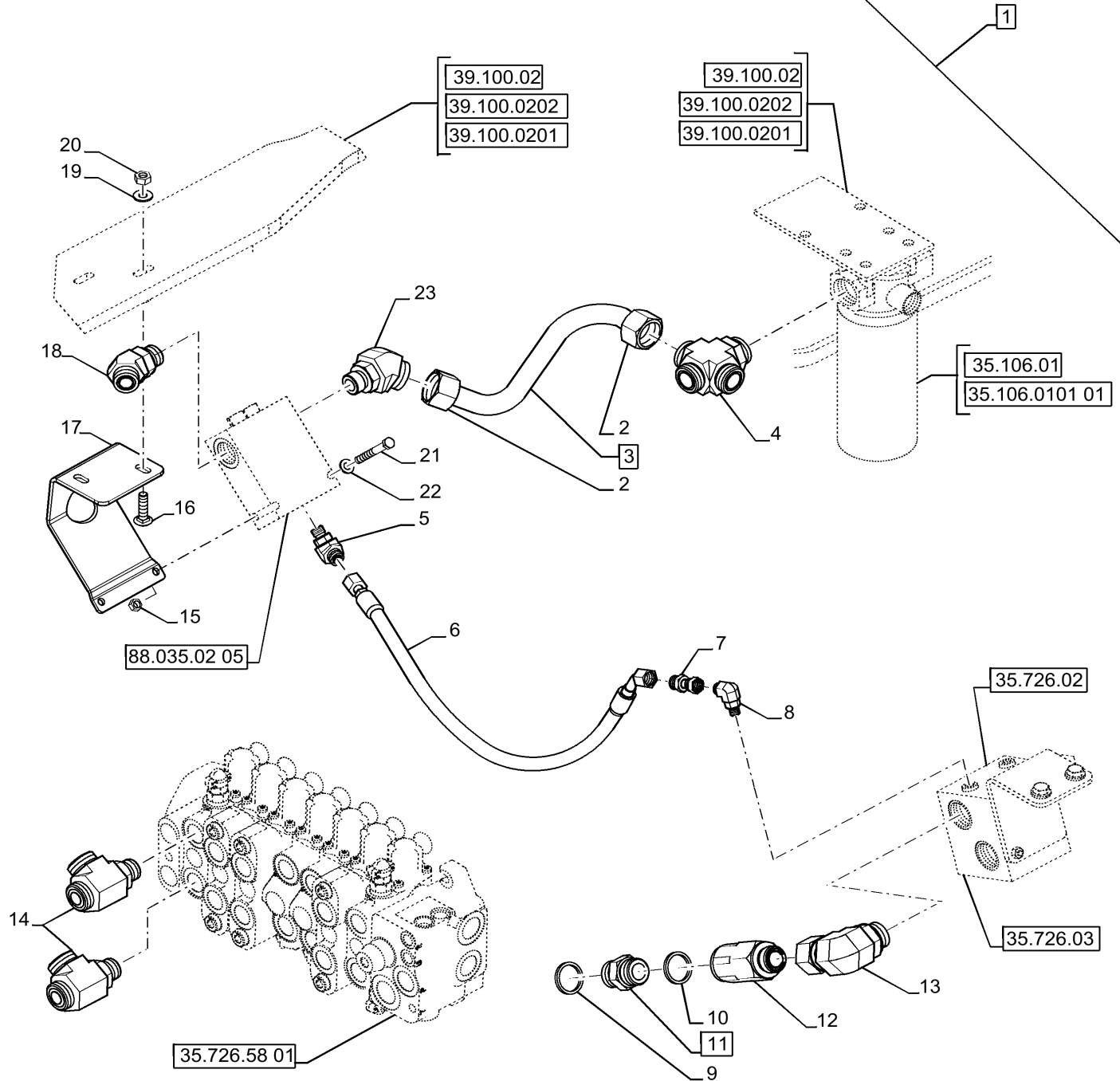
88.035.02

04

p1

9/2020

DIA KIT, UNI-AUX TO COMBO, W/O EXTENDABLE DIPPER, PILOT CONTROL



88.035.05

02

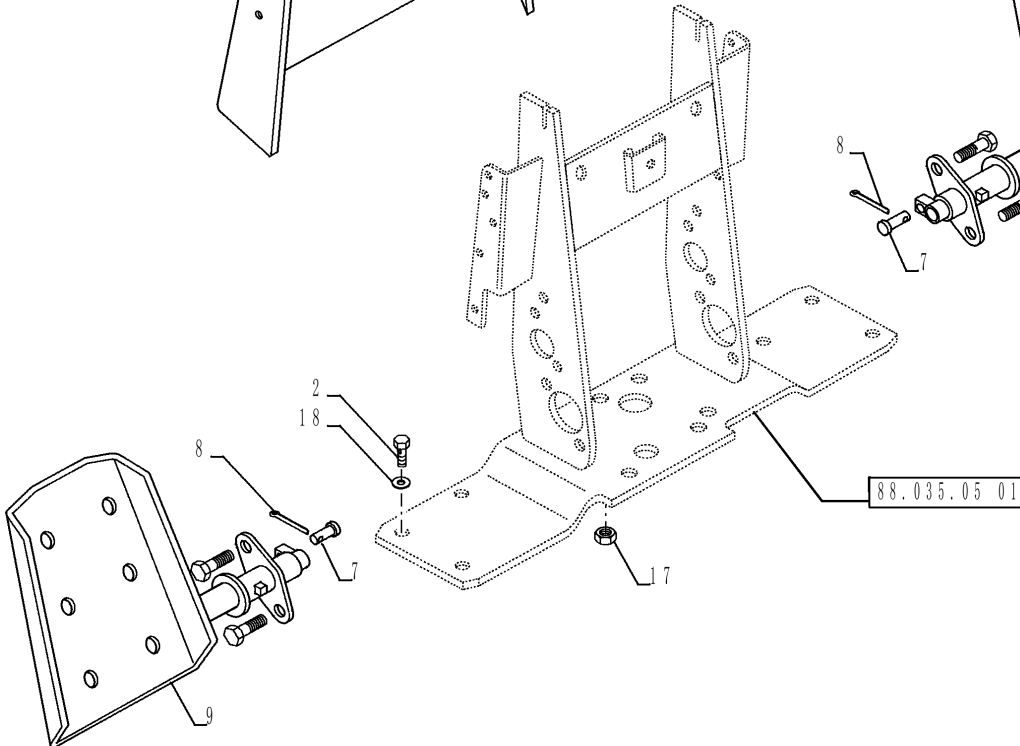
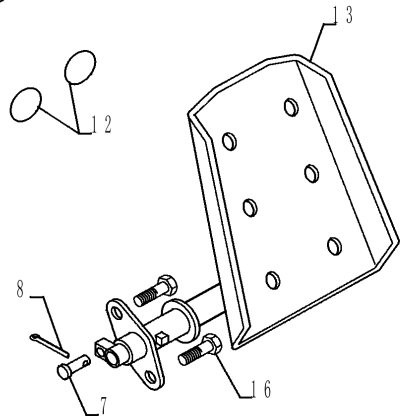
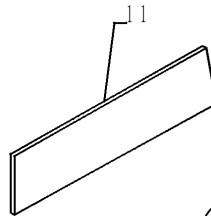
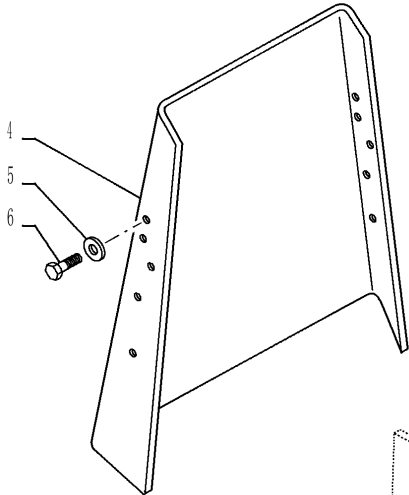
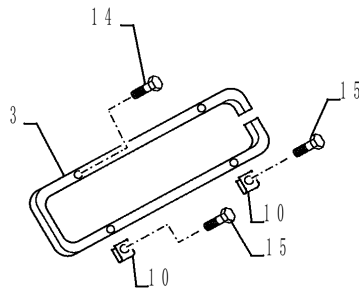
p1

9/2020

DIA KIT, CONVERSION 2 LEVERS TO FOOT SWING



1



88.035.05 01



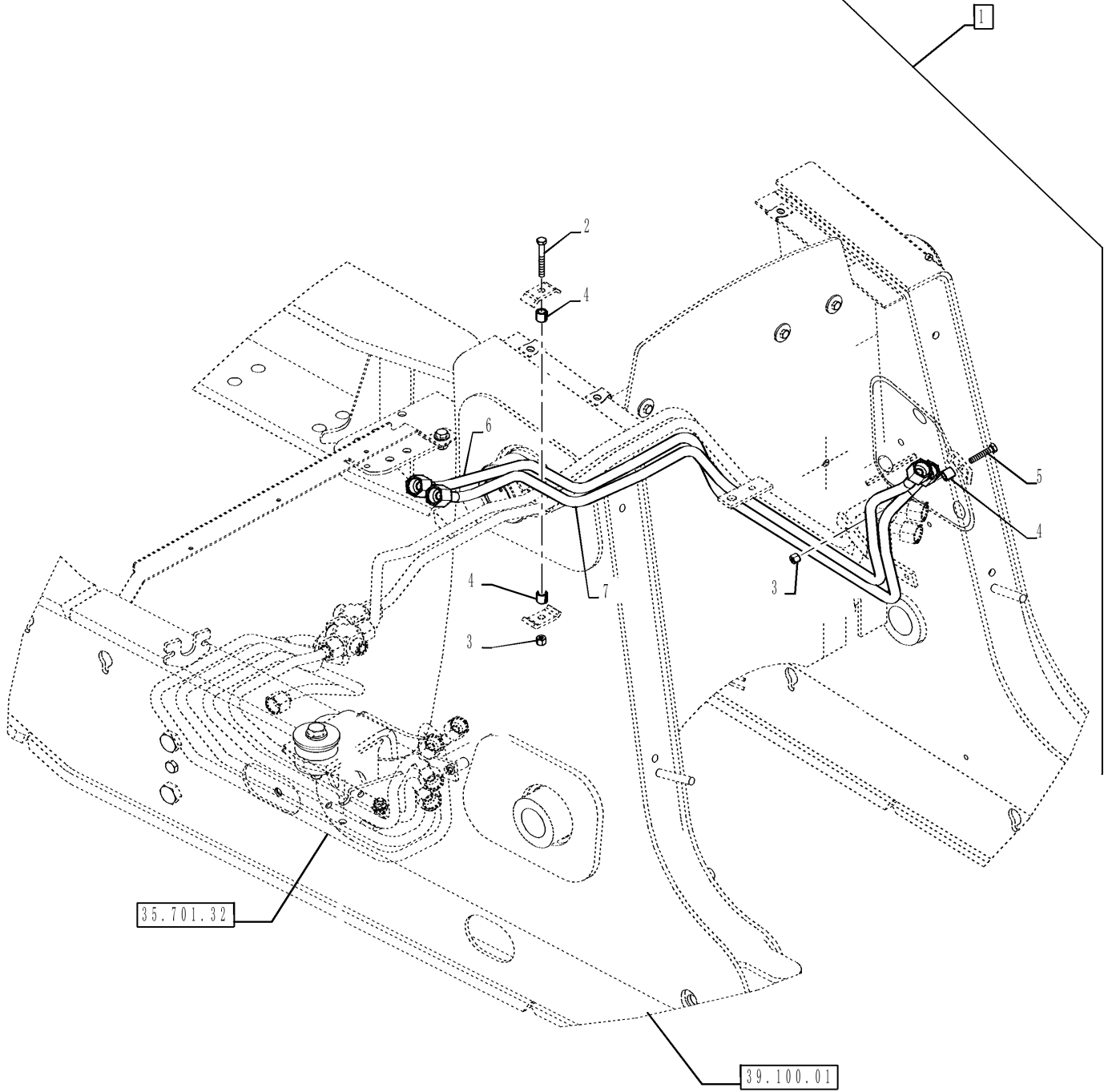
88.035.08

04

p1

9/2020

DIA KIT, MECH CONTROLS, 3 SPOOLS, POWERSHIFT TRANSMISSION

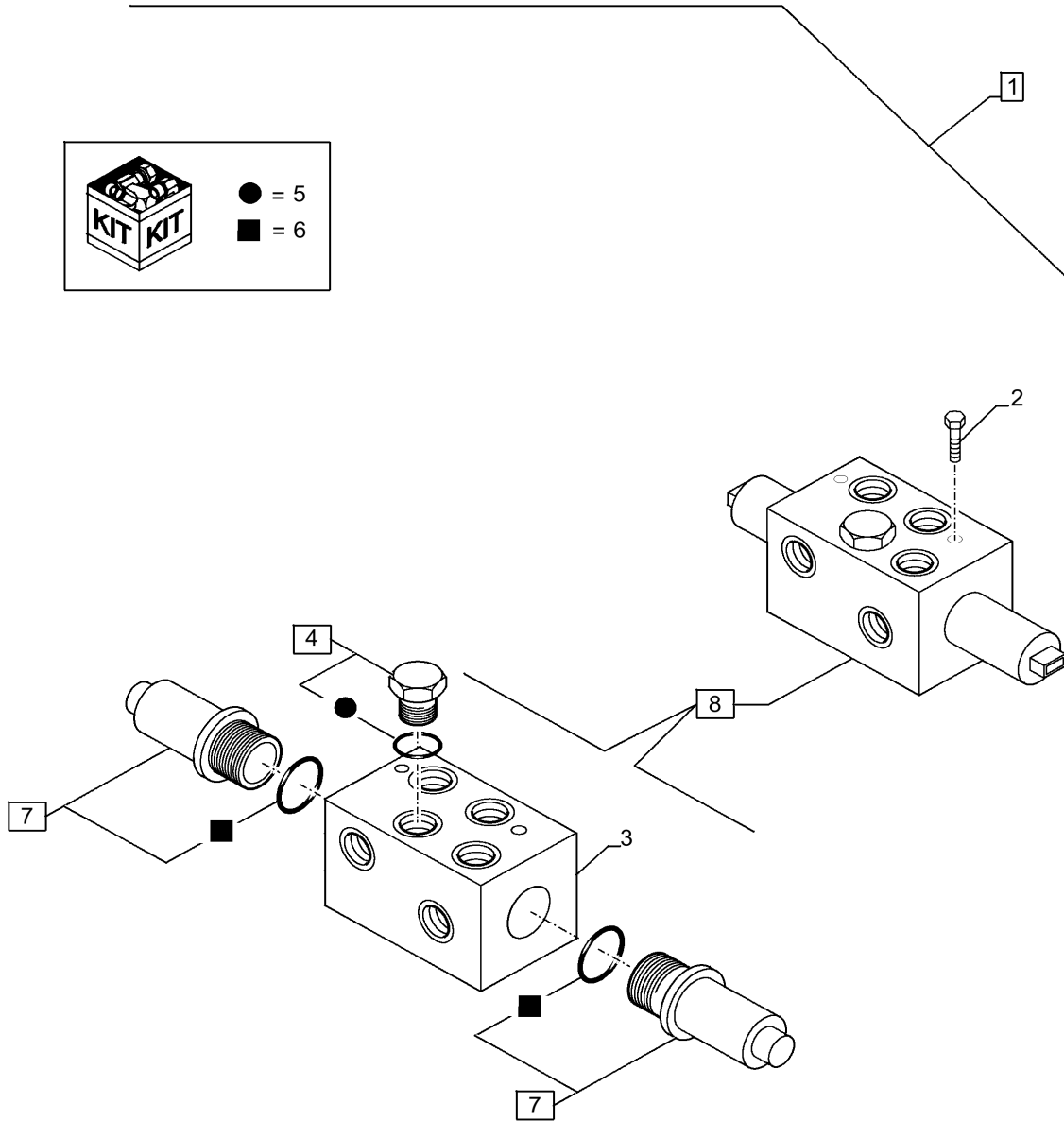
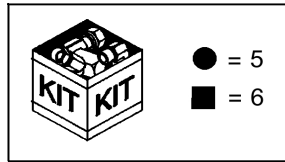


35.701.32

39.100.01



DIA KIT, MECH CONTROLS, 3 SPOOLS, STANDARD TRANSMISSION





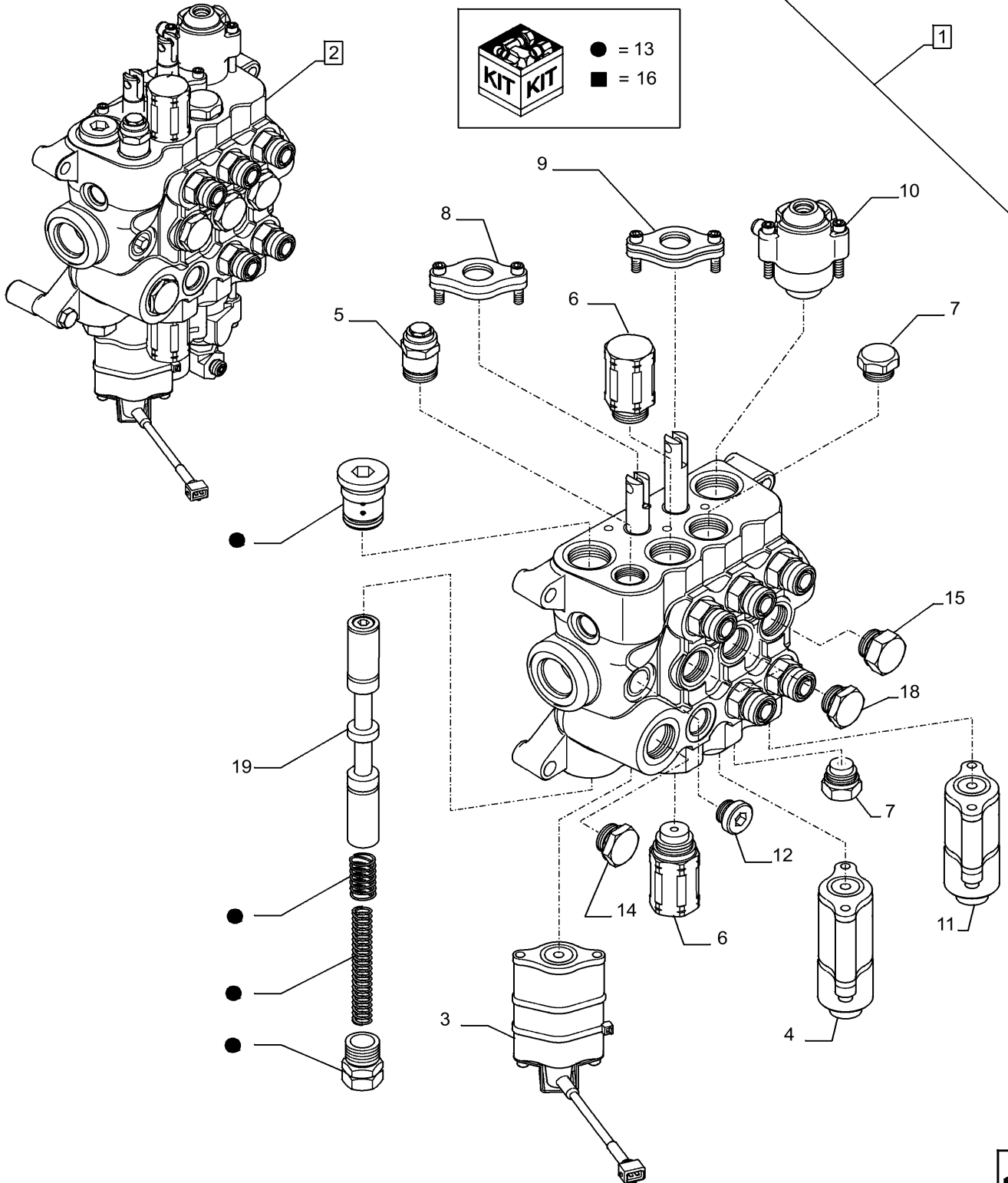
88.035.22

02

p1

9/2020

DIA KIT, MECH CONTROLS, 3 SPOOLS, STANDARD TRANSMISSION



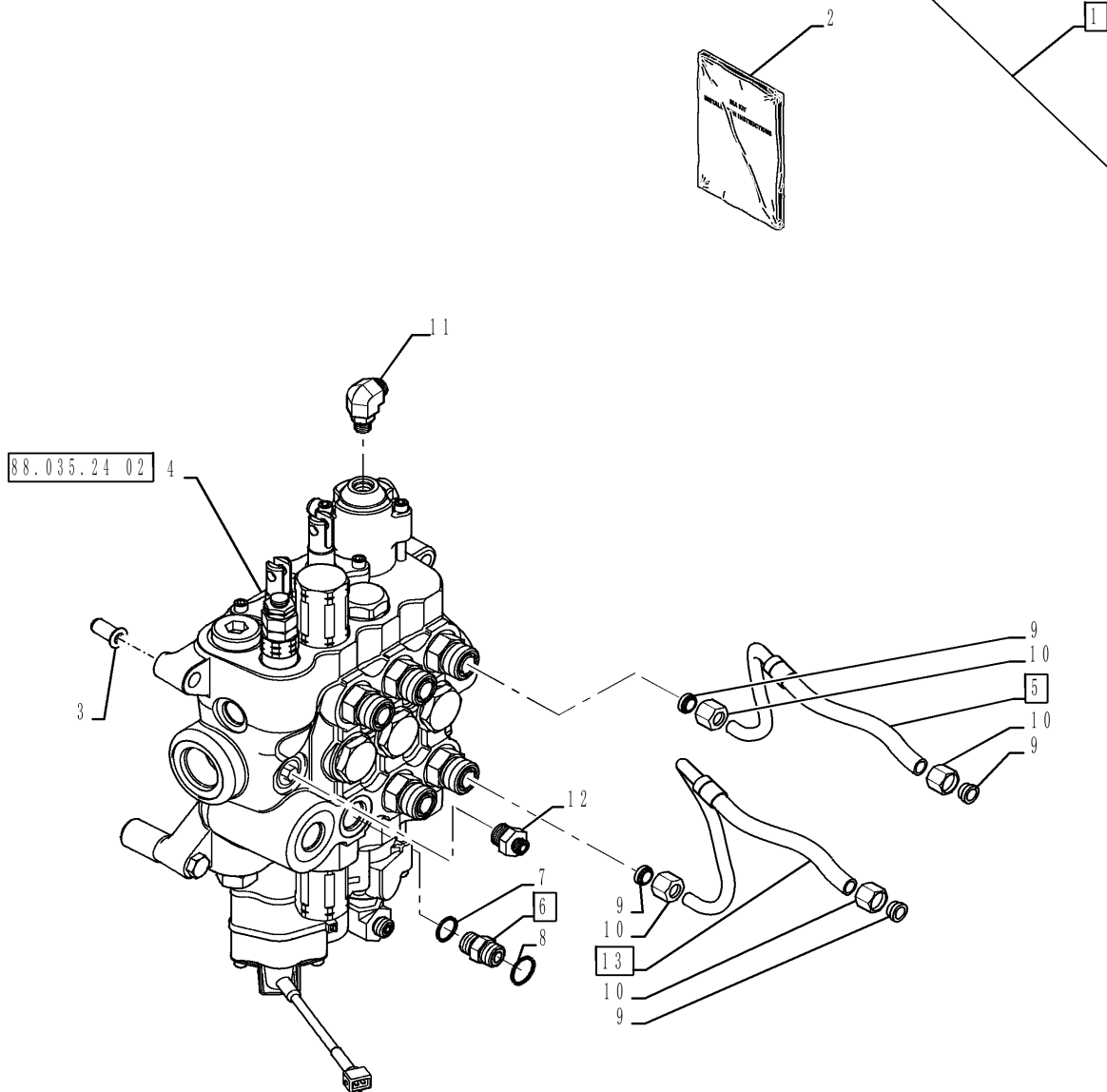
88.035.24

01

p1

9/2020

DIA KIT, MECH CONTROLS, 3 SPOOLS, POWERSHIFT TRANSMISSION



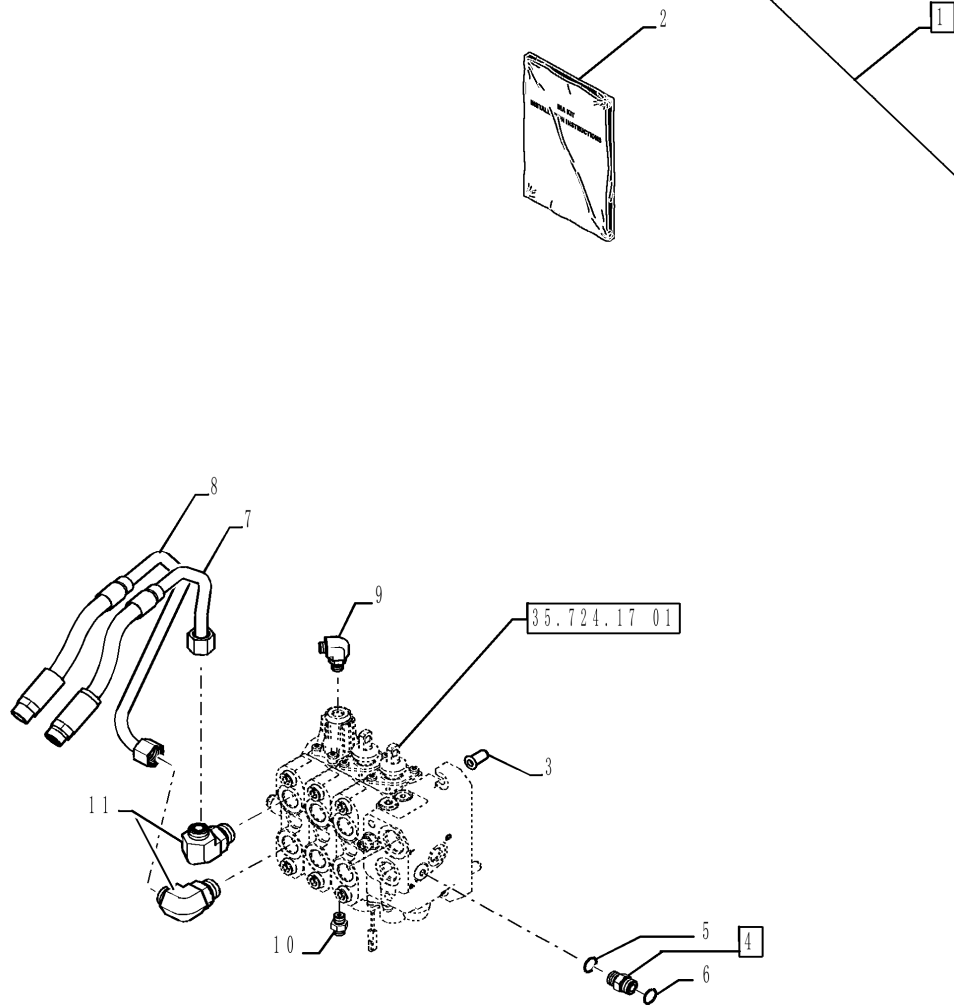
88.035.25

08

p1

9/2020

DIA KIT, PILOT CONTROLS, 3 SPOOLS, POWERSHIFT TRANSMISSION



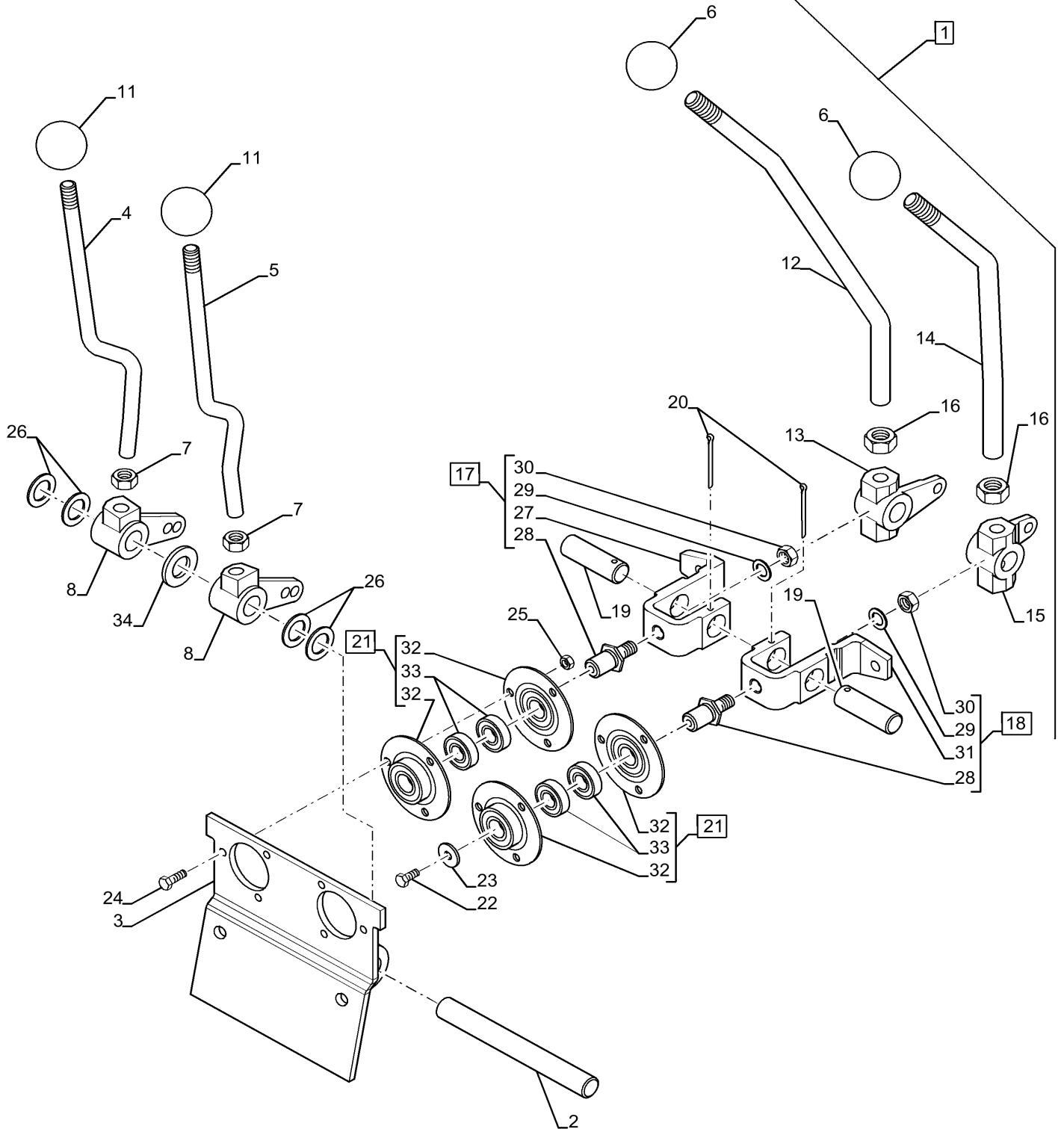
88.035.30

02

p1

9/2020

DIA KIT, CONVERSION FT SWING TO 2 LEVER, STANDARD DIPPER



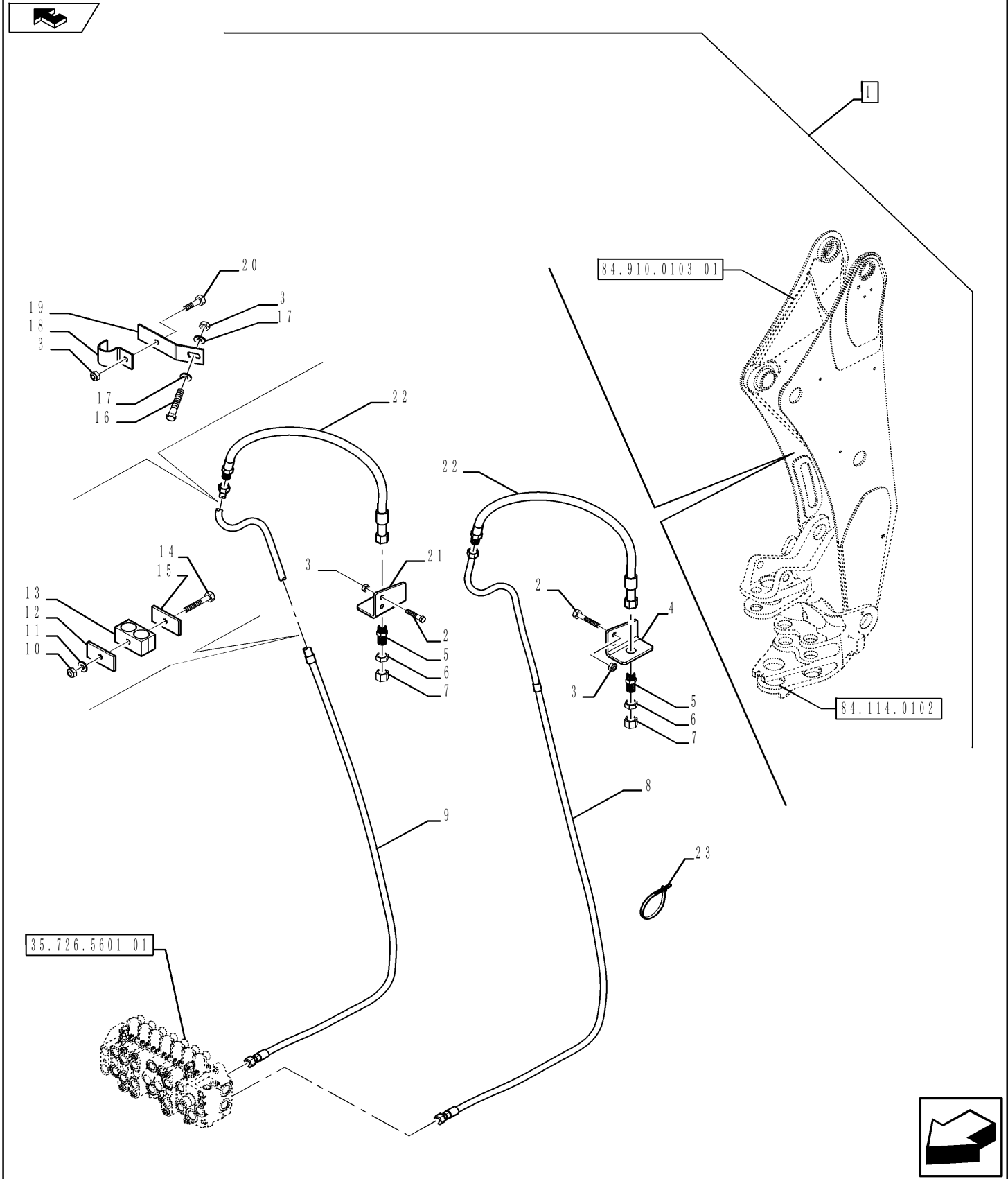
88.035.37

04

p1

9/2020

DIA KIT, UNI-AUX STANDARD PILOT CONTROLS



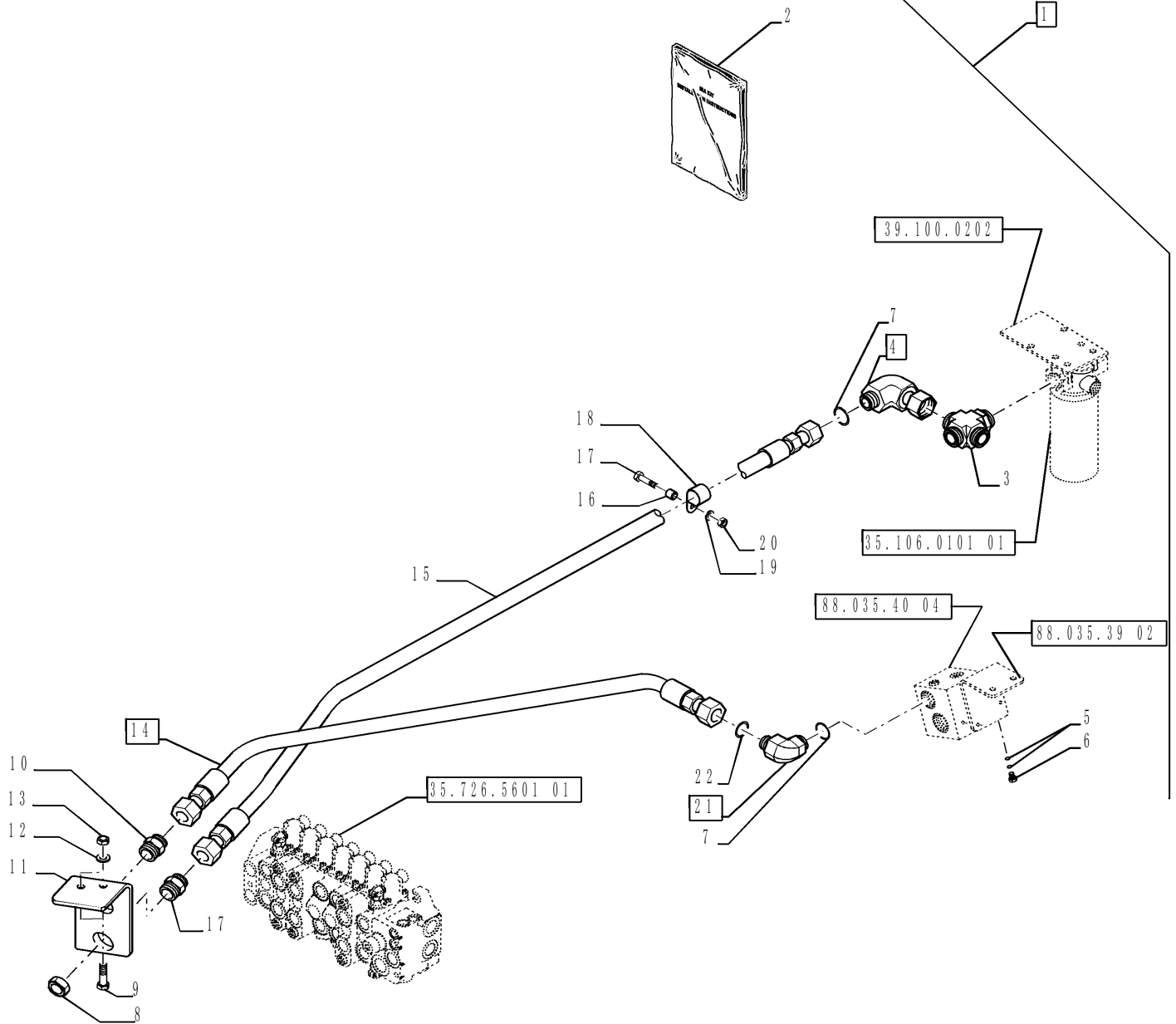
88.035.40

01

p1

9/2020

DIA KIT, UNI-AUX, EXTENDIBLE HOE, PILOT CONTROLS



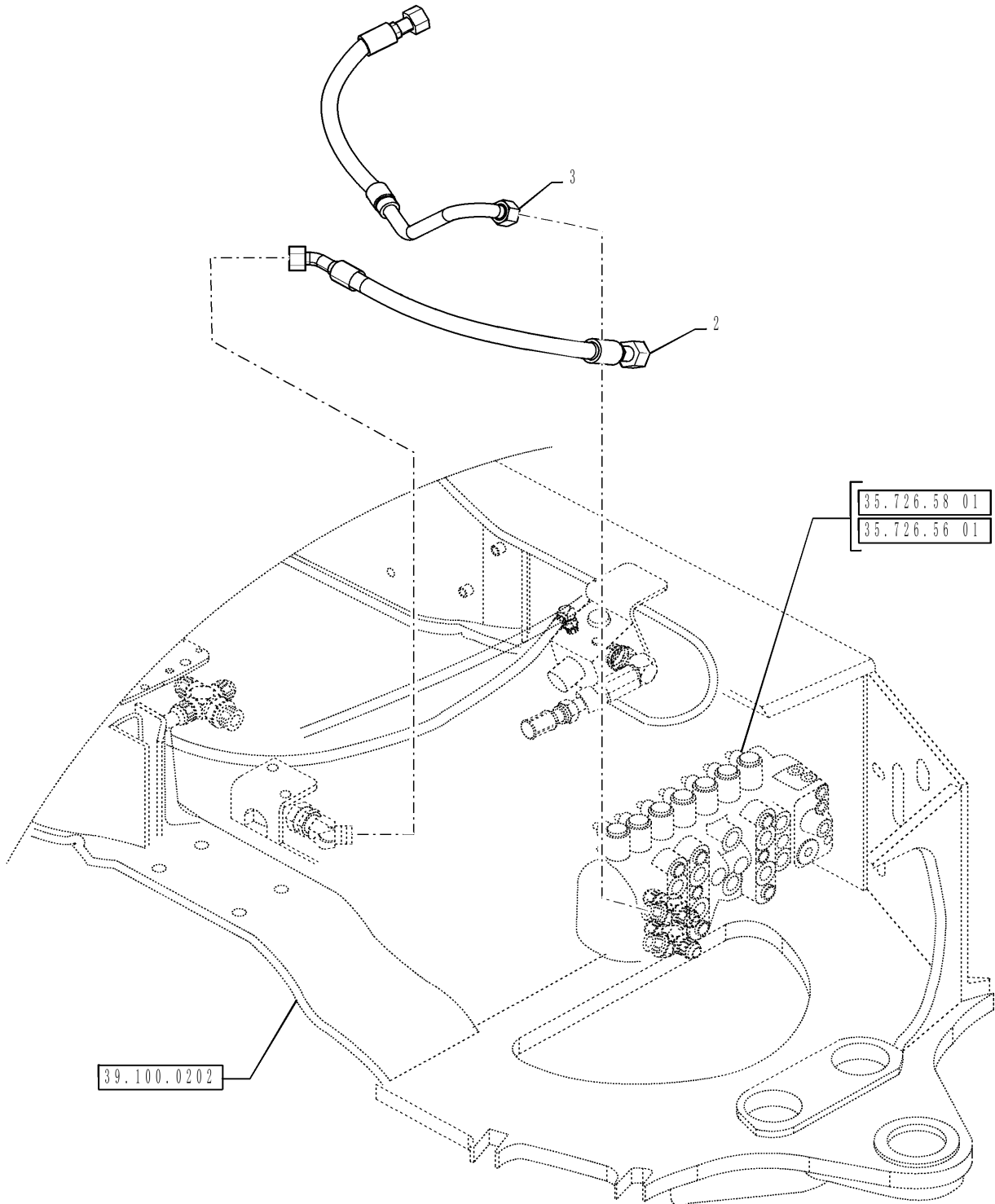
88.035.41

10

p1

9/2020

DIA KIT, NO AUX TO COMBO, EXTENSIBLE HOE, PILOT CONTROLS



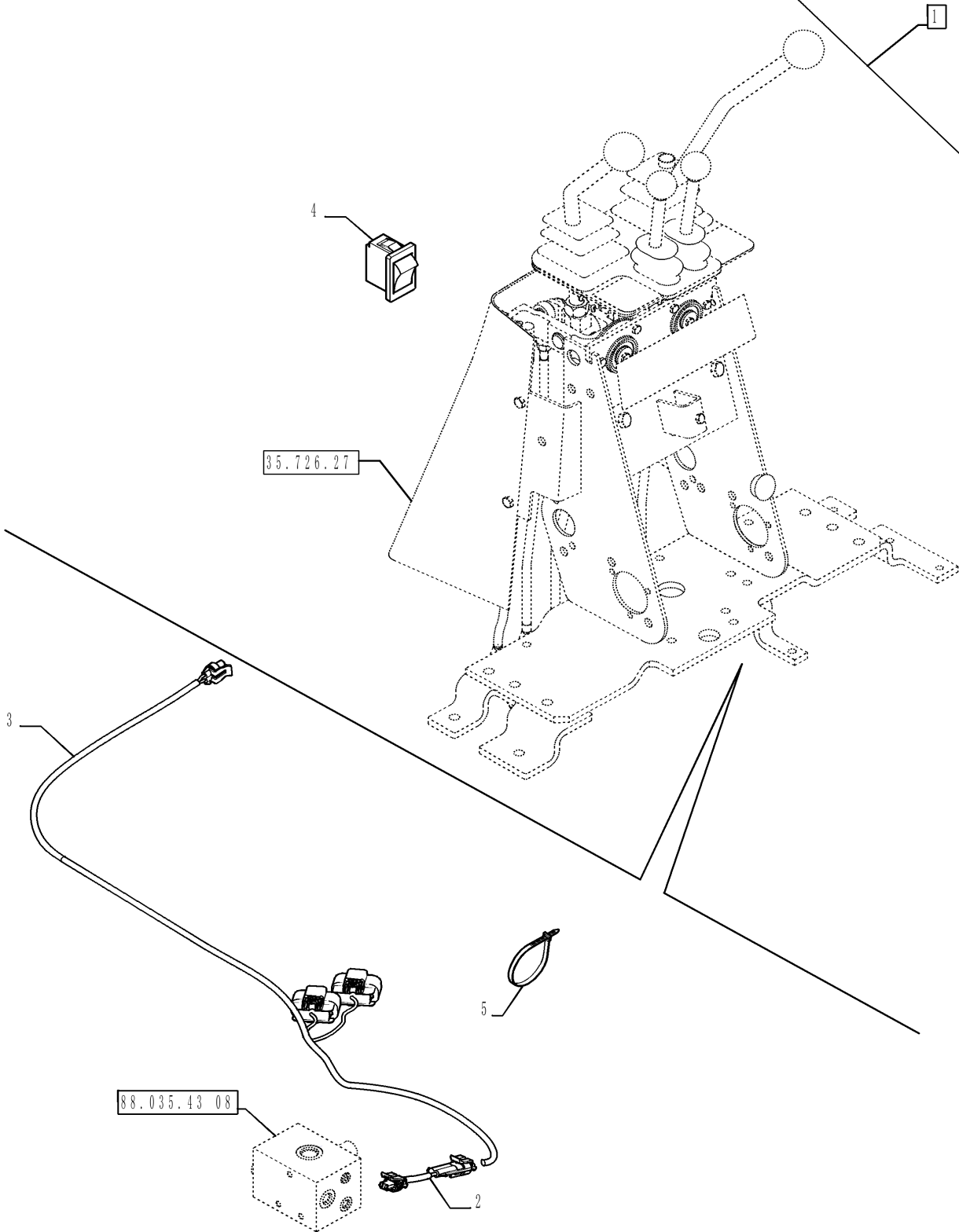
88.035.43

04

p1

9/2020

DIA KIT, NO AUX TO COMBO, STANDARD, PILOT CONTROLS



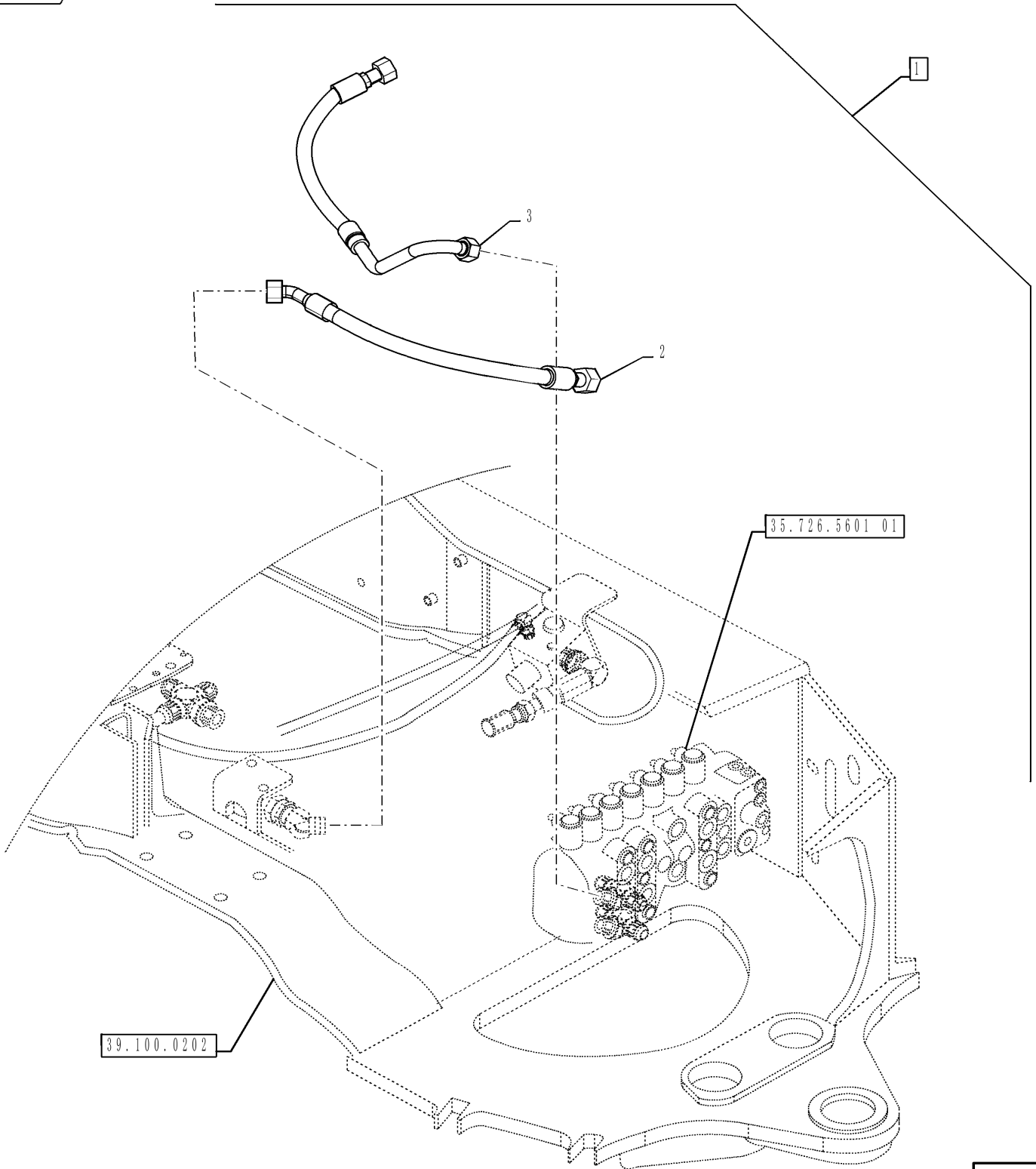
88.035.44

11

p1

9/2020

DIA KIT, NO AUX TO COMBO, STANDARD, PILOT CONTROLS



39.100.0202

35.726.5601 01

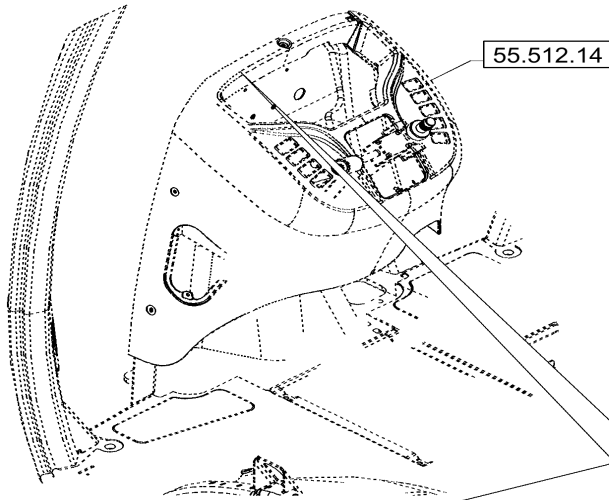
1

3

2

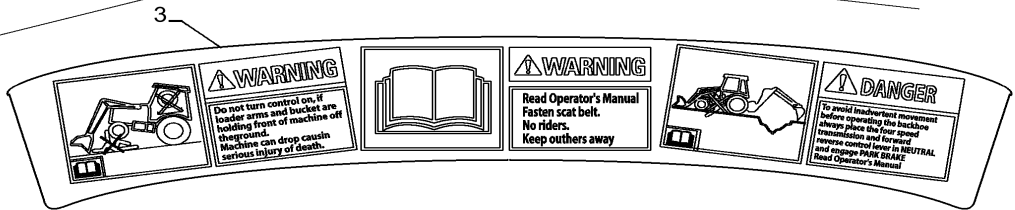


DIA KIT, RIDE CONTROL D9008



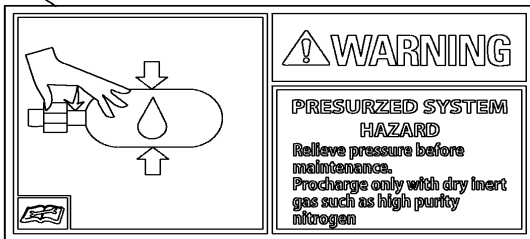
55.512.14

1



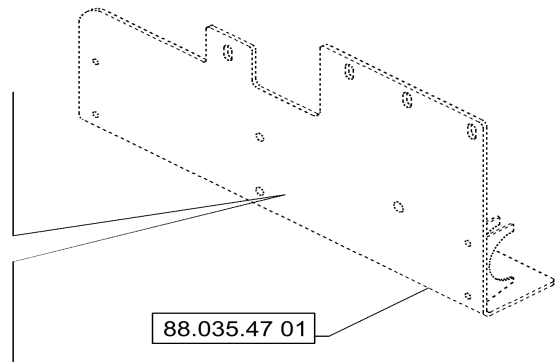
3

2



**! WARNING**

**PRESURIZED SYSTEM  
HAZARD**  
Relieve pressure before  
maintenance.  
Recharge only with dry inert  
gas such as high purity  
nitrogen



88.035.47 01



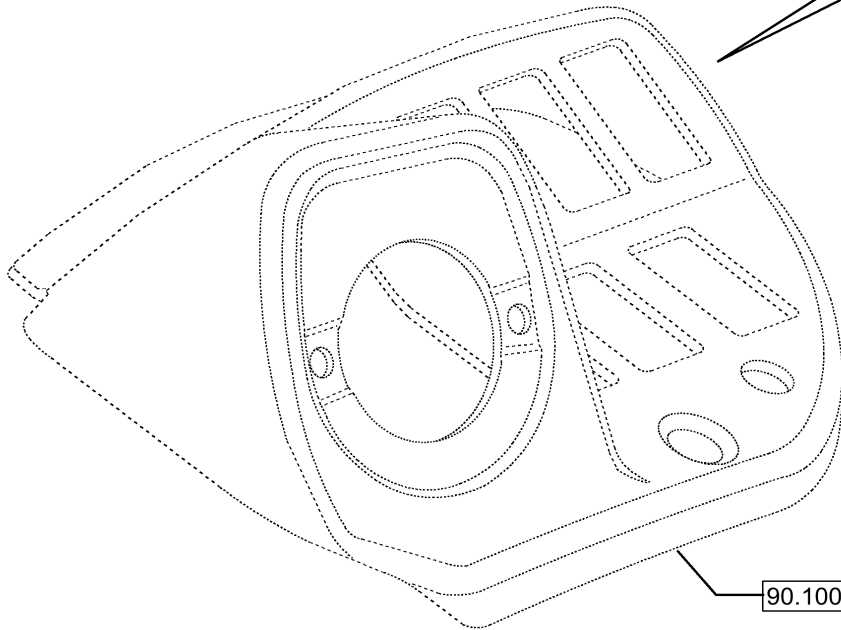
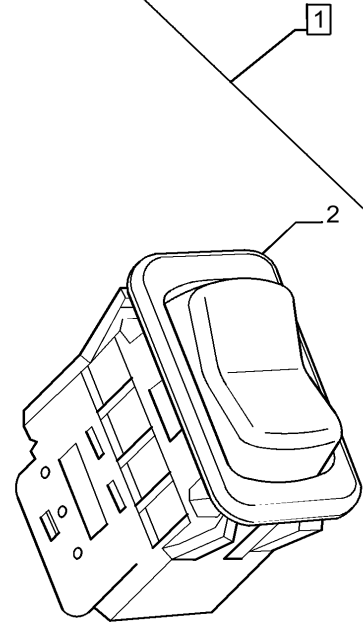
88.035.50

04

p1

9/2020

DIA KIT, POWER LIFT



90.100.10 02



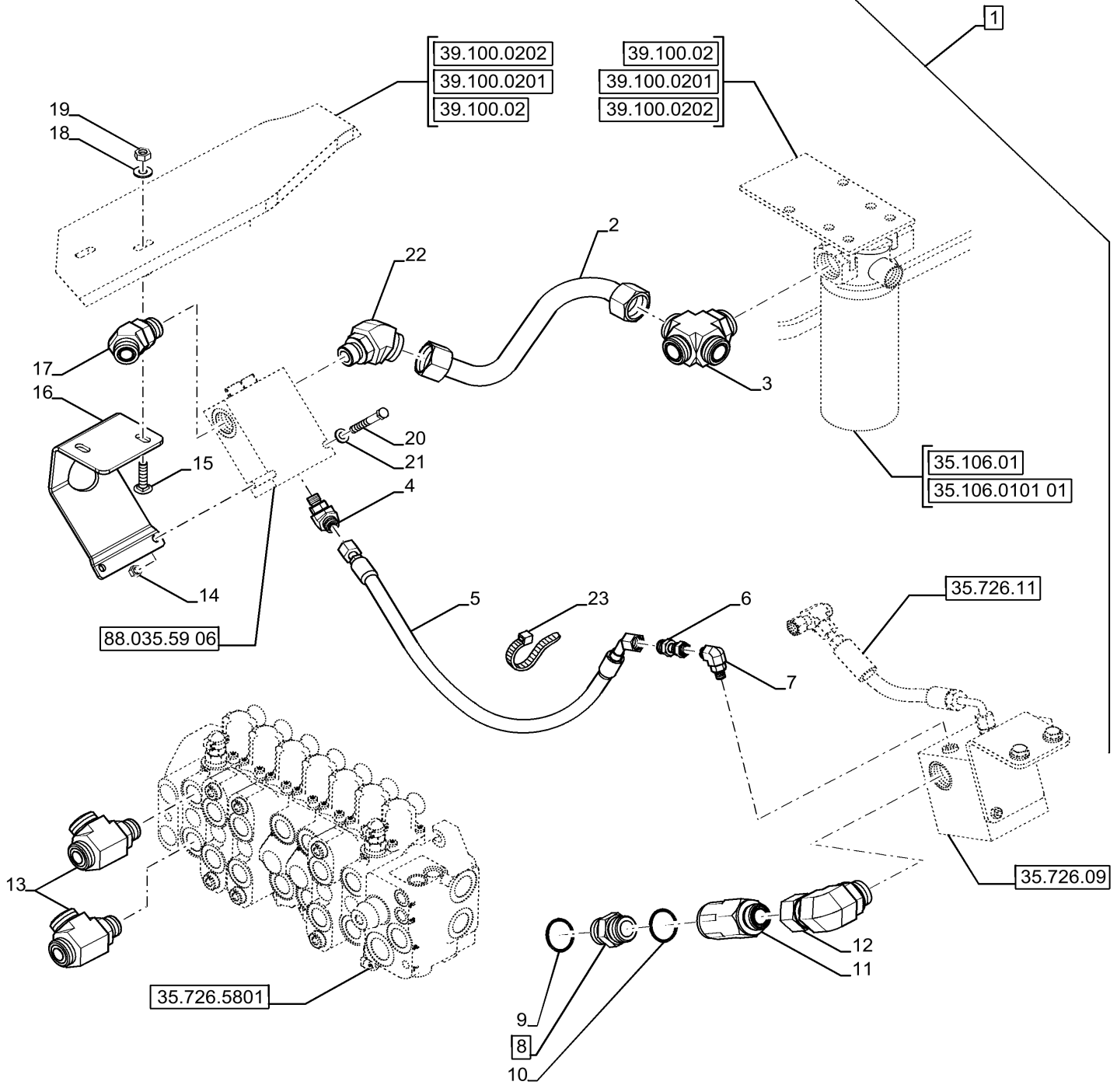
88.035.59

03

p2

9/2020

DIA KIT, UNI-AUX TO COMBO, STD, POWER CONTROL



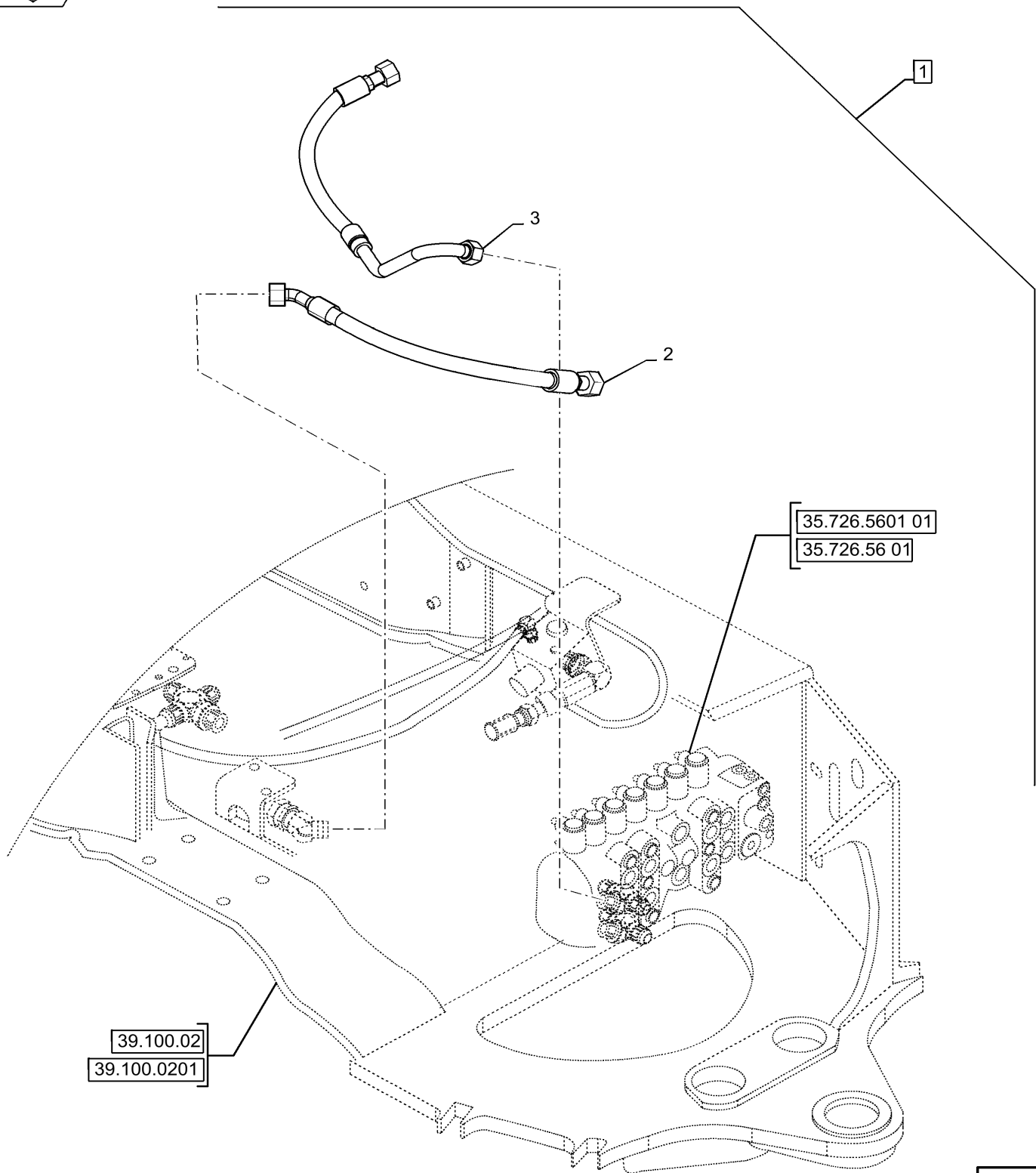
88.035.60

14

p1

9/2020

DIA KIT, NO AUX TO COMBO AUX, MECHANICAL CONTROLS, STANDARD



39.100.02  
39.100.0201

35.726.5601 01  
35.726.56 01



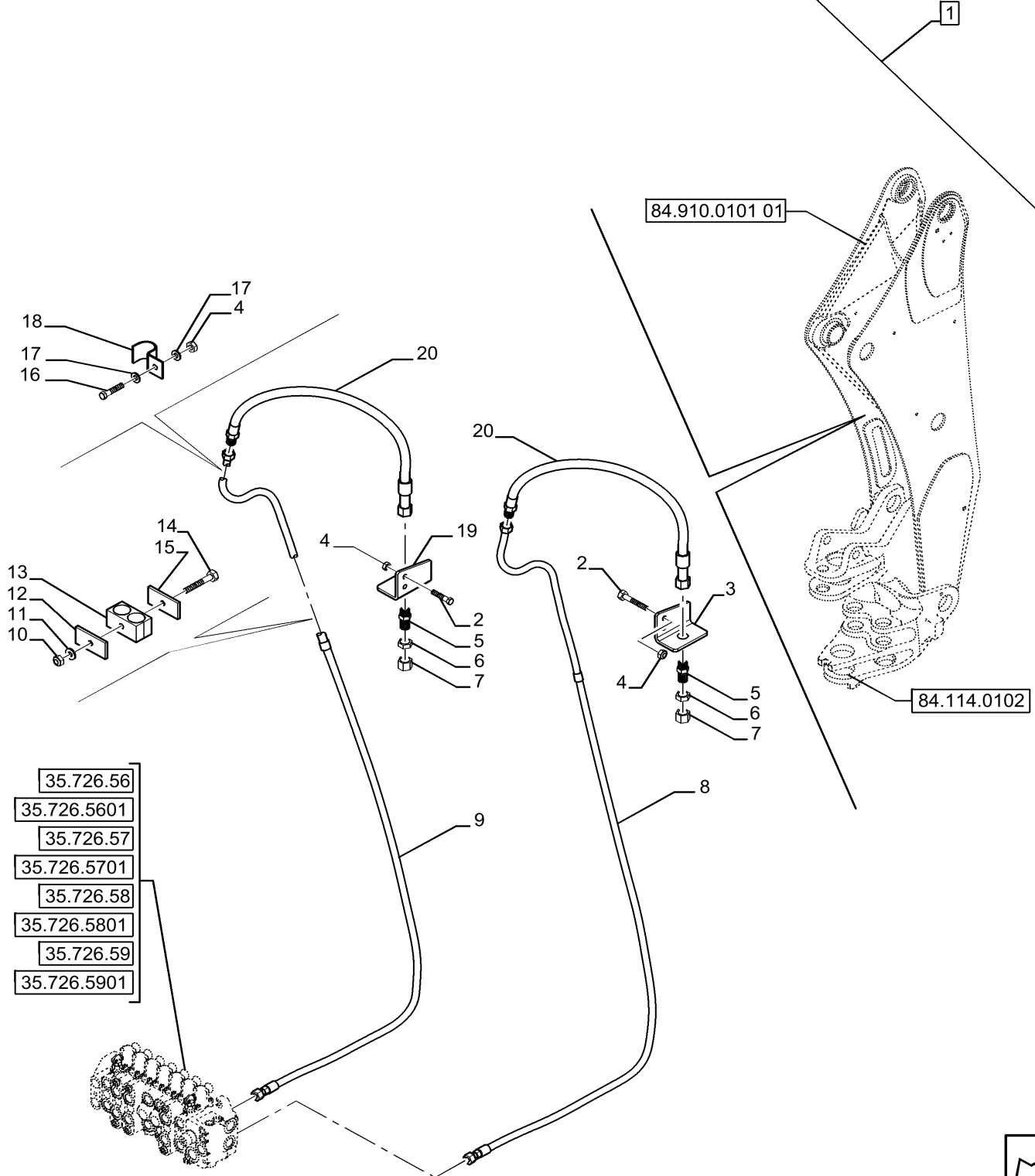
88.035.63

02

p1

9/2020

DIA KIT, UNI DIR. MECHANICAL CONTROL STD DIPPER



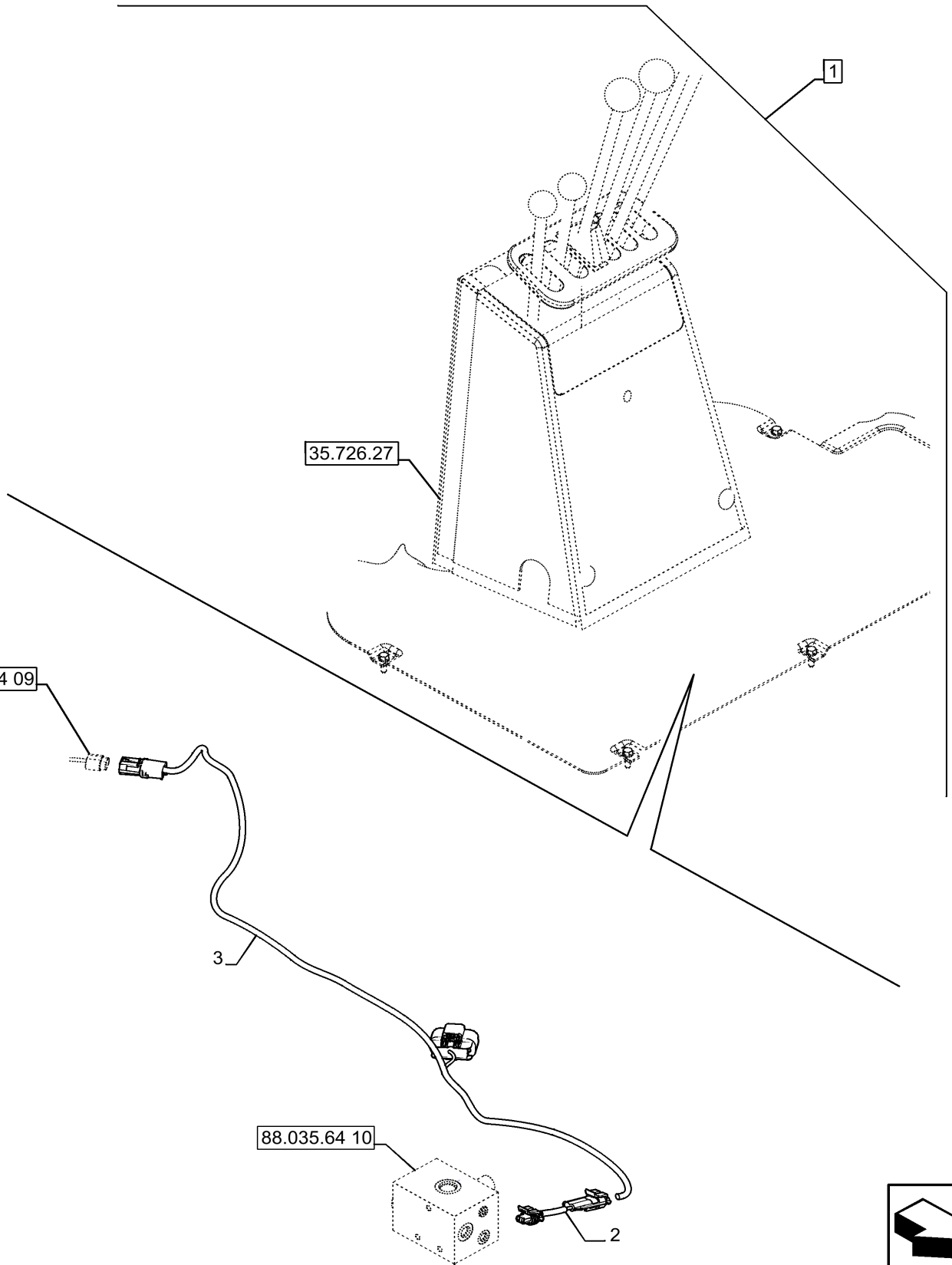
88.035.64

08

p1

9/2020

DIA KIT, UNI DIR. MECHANICAL CONTROL, EXTENDABLE HOE



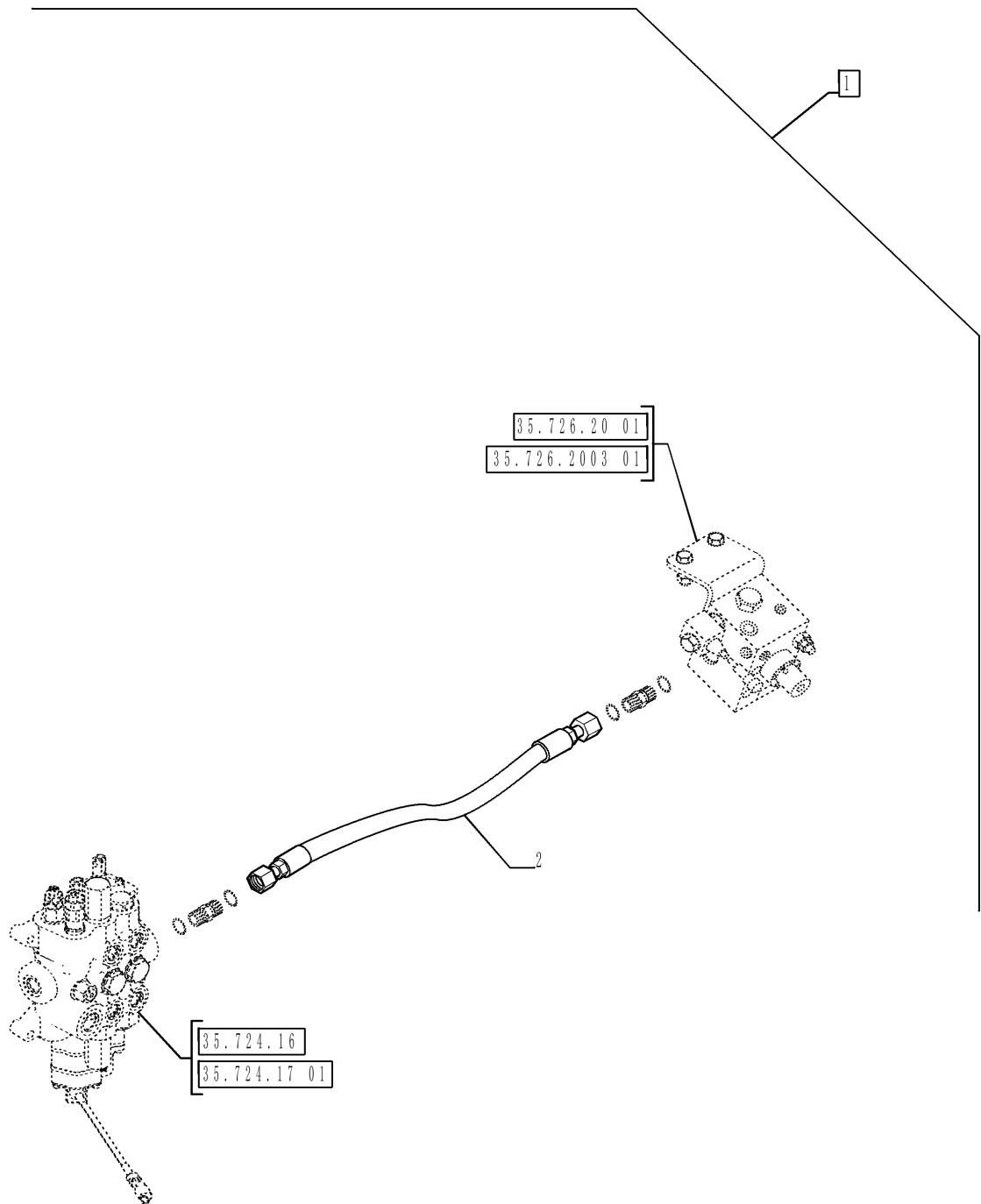
88.035.66

05

p1

9/2020

DIA KIT, UNI DIR. MECHANICAL CONTROL, EXTENDABLE HOE



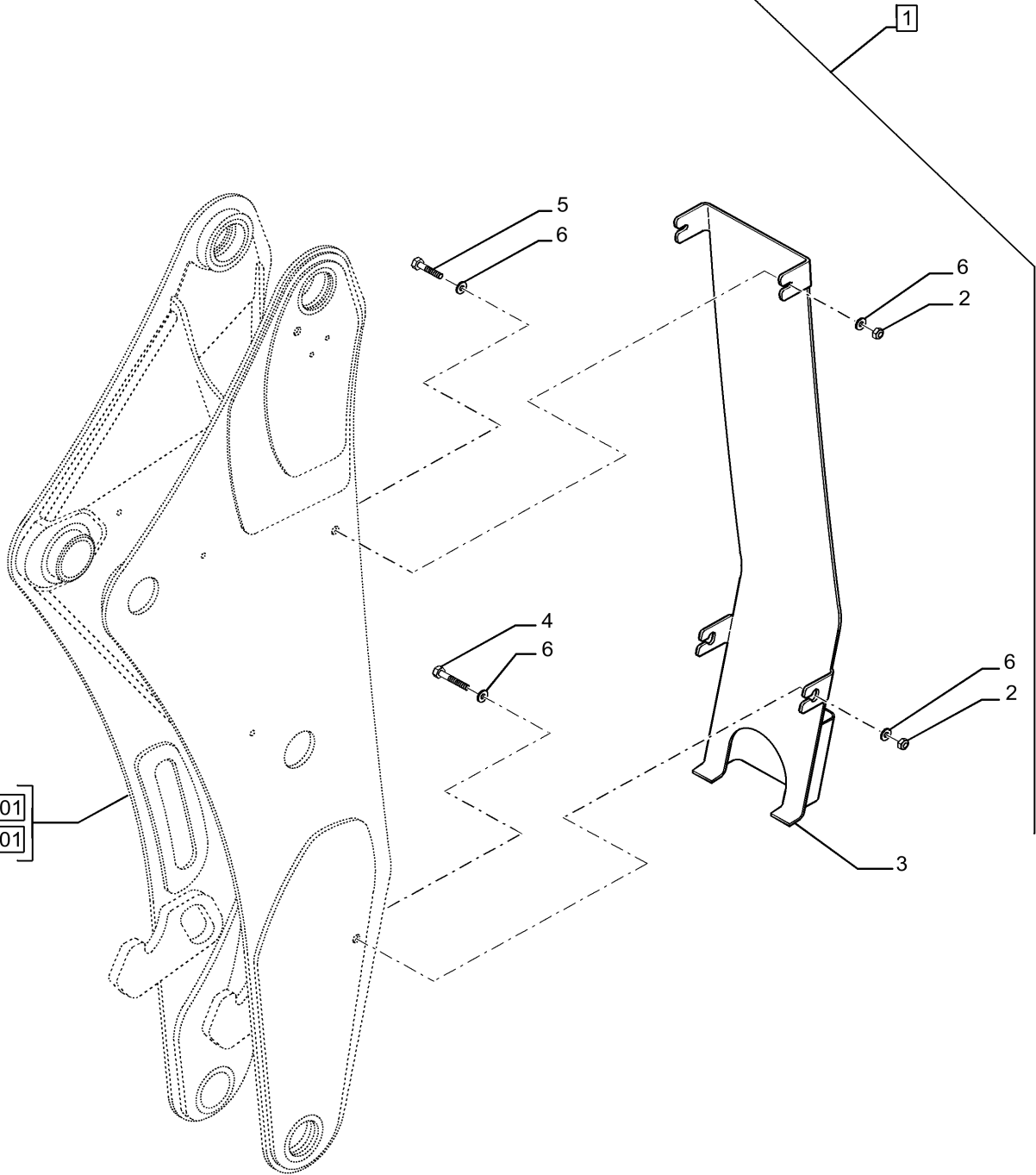
88.035.67

13

p1

9/2020

DIA KIT, NO AUX TO COMBO AUX, MECHANICAL CONTROLS, EXTENDABLE HOE



84.910.0101 01

84.910.0102 01

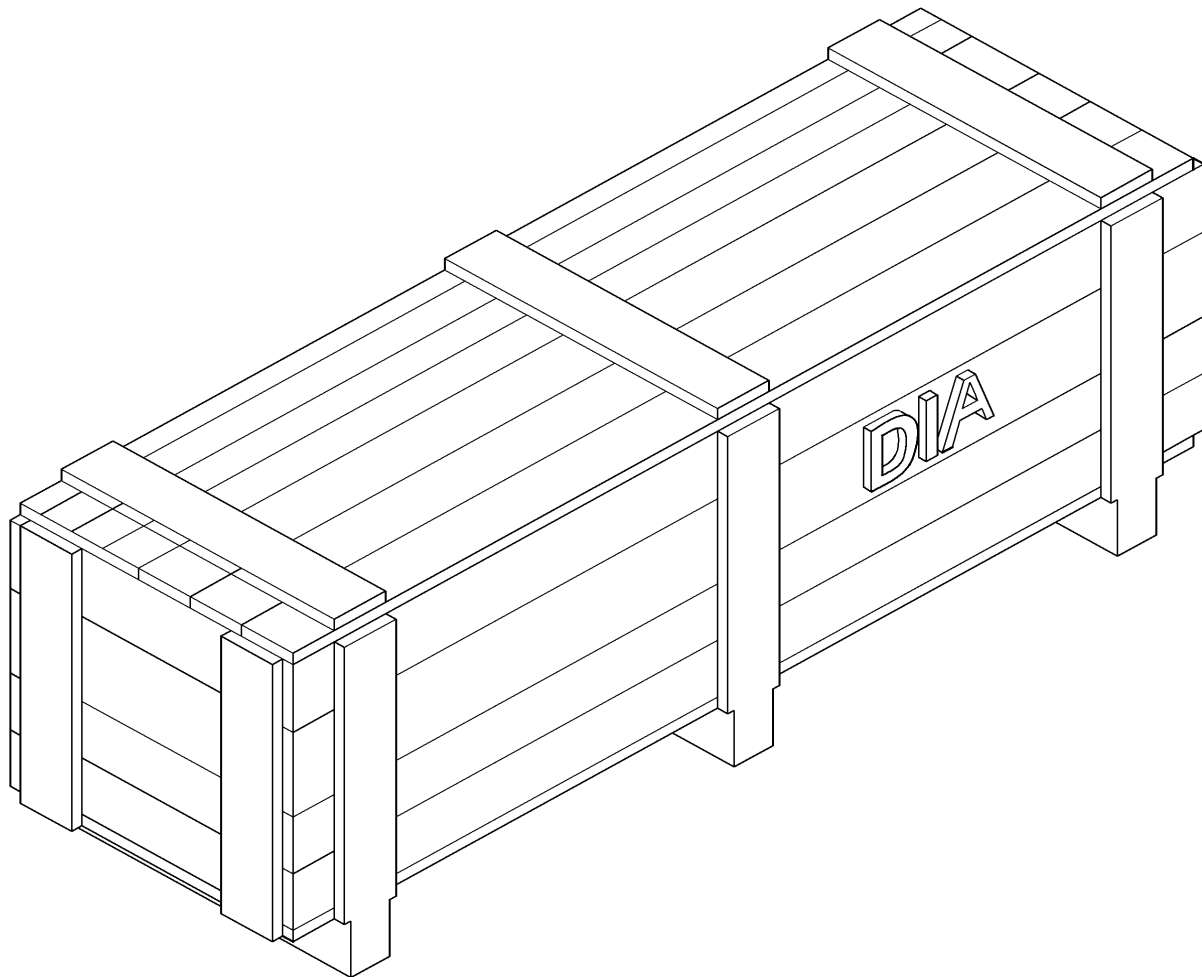


88.035.71

p1

9/2020

DIA KIT, CONVERTER FT SWING TO 2 LEVER STANDARD DIPPER



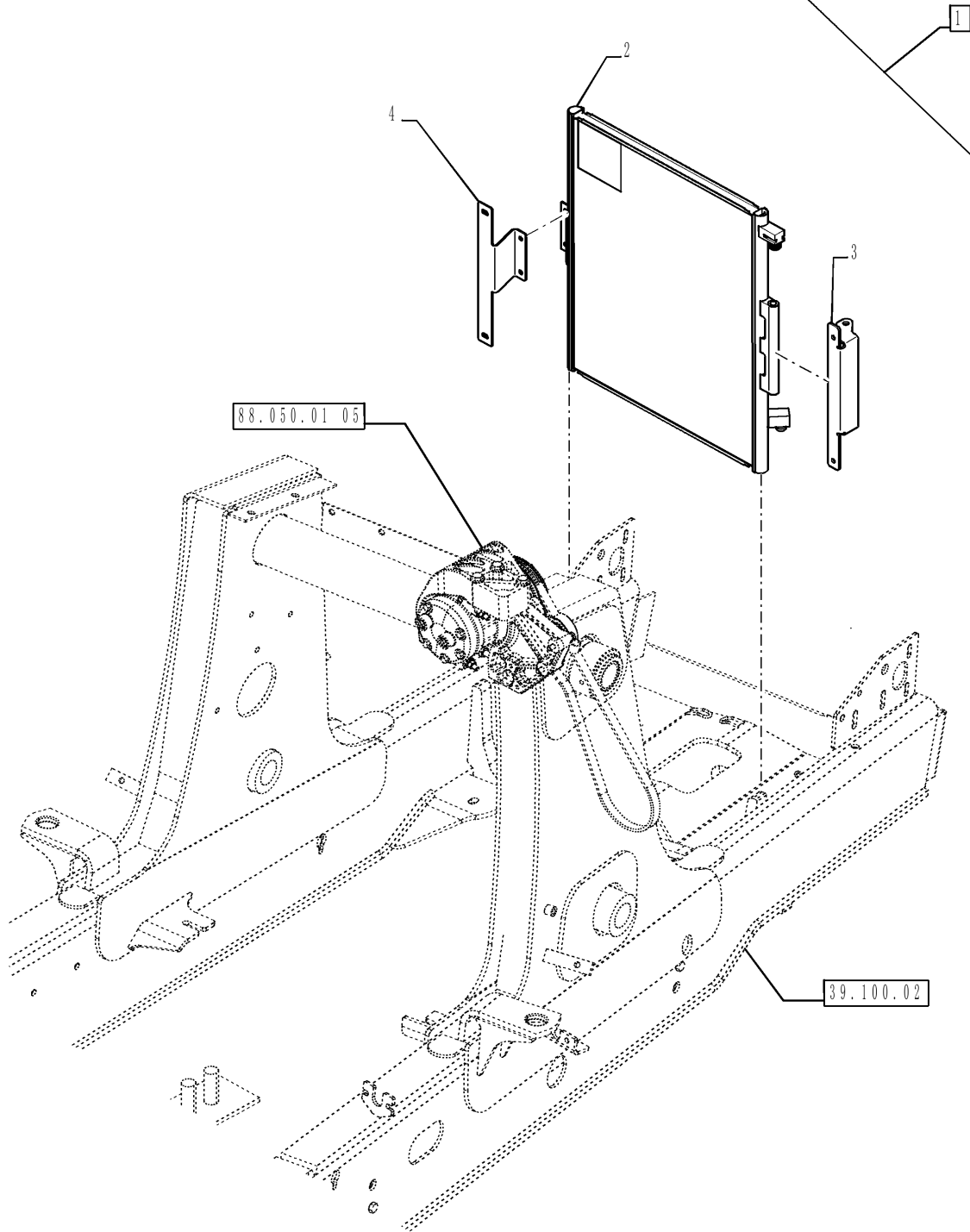
88.050.01

03

p1

9/2020

DIA KIT, A/C HPCR



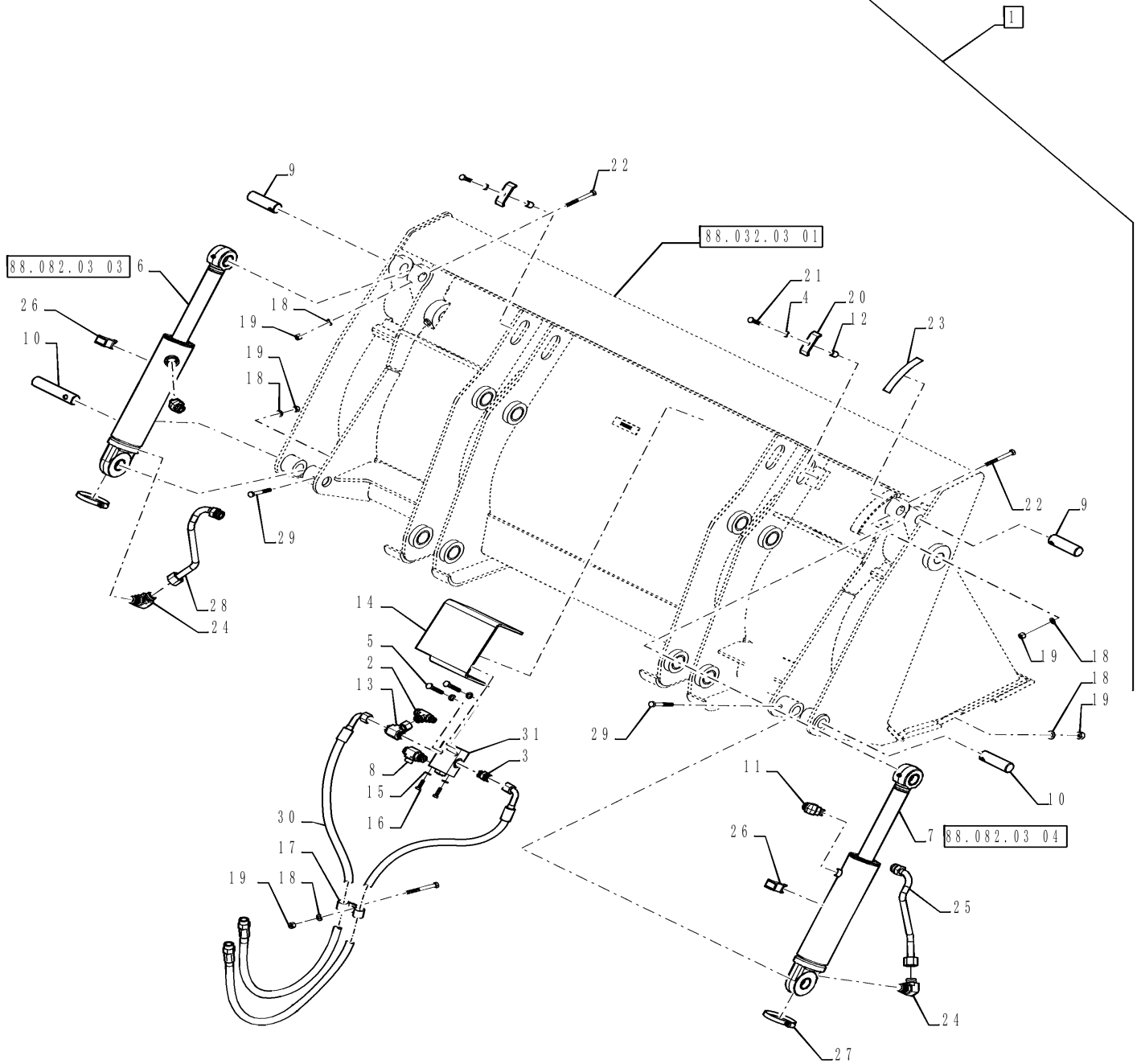
88.082.03

02

p1

9/2020

DIA KIT, LOADER BUCKET 4-IN-1 (82 IN)



D7281 After Date 7 December 2013

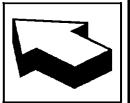
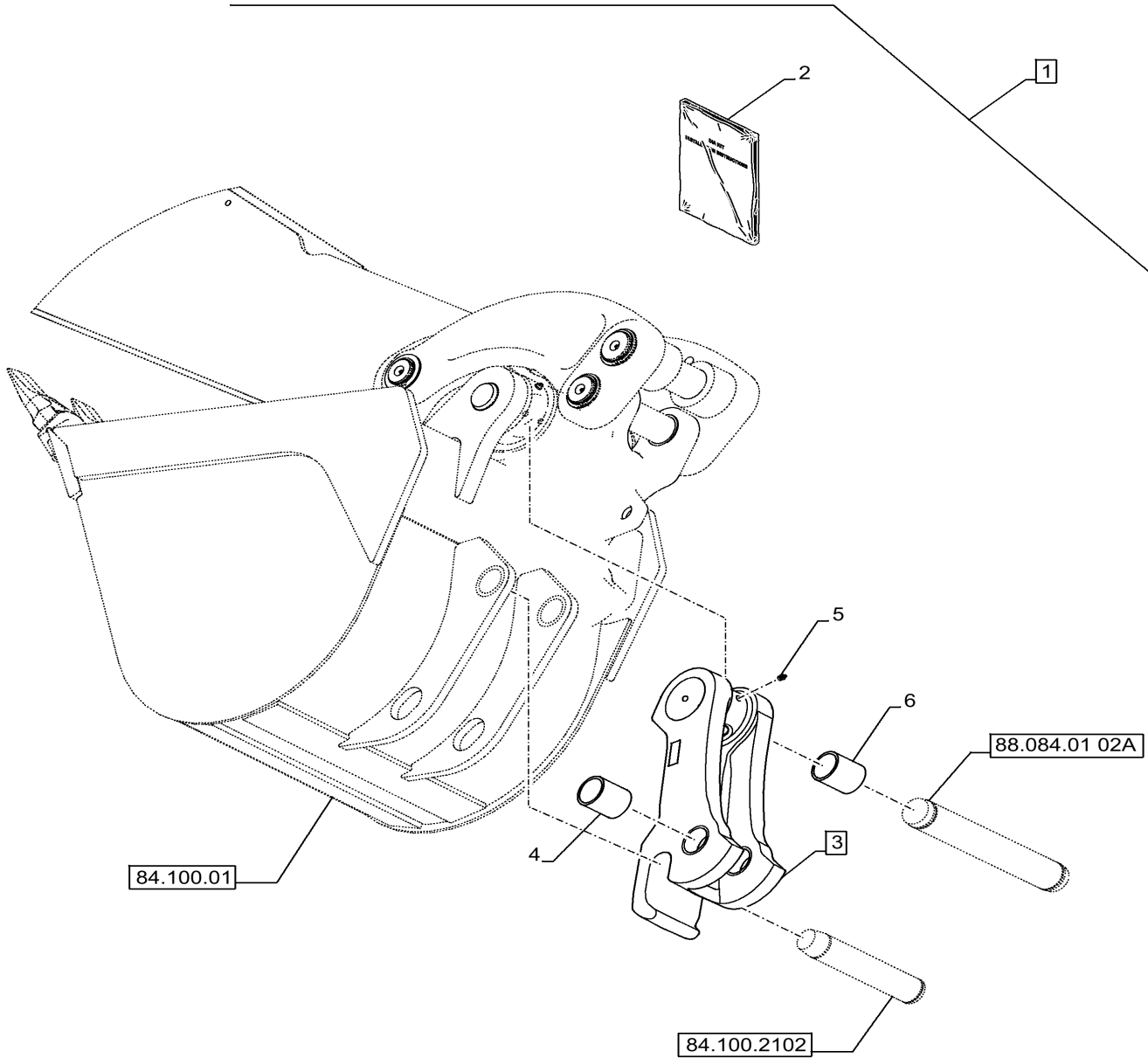
88.084.01

01A

p1

9/2020

DIA KIT, MECHANICAL COUPLER UPGRADE FOR STANDARD DIPPER - D7361



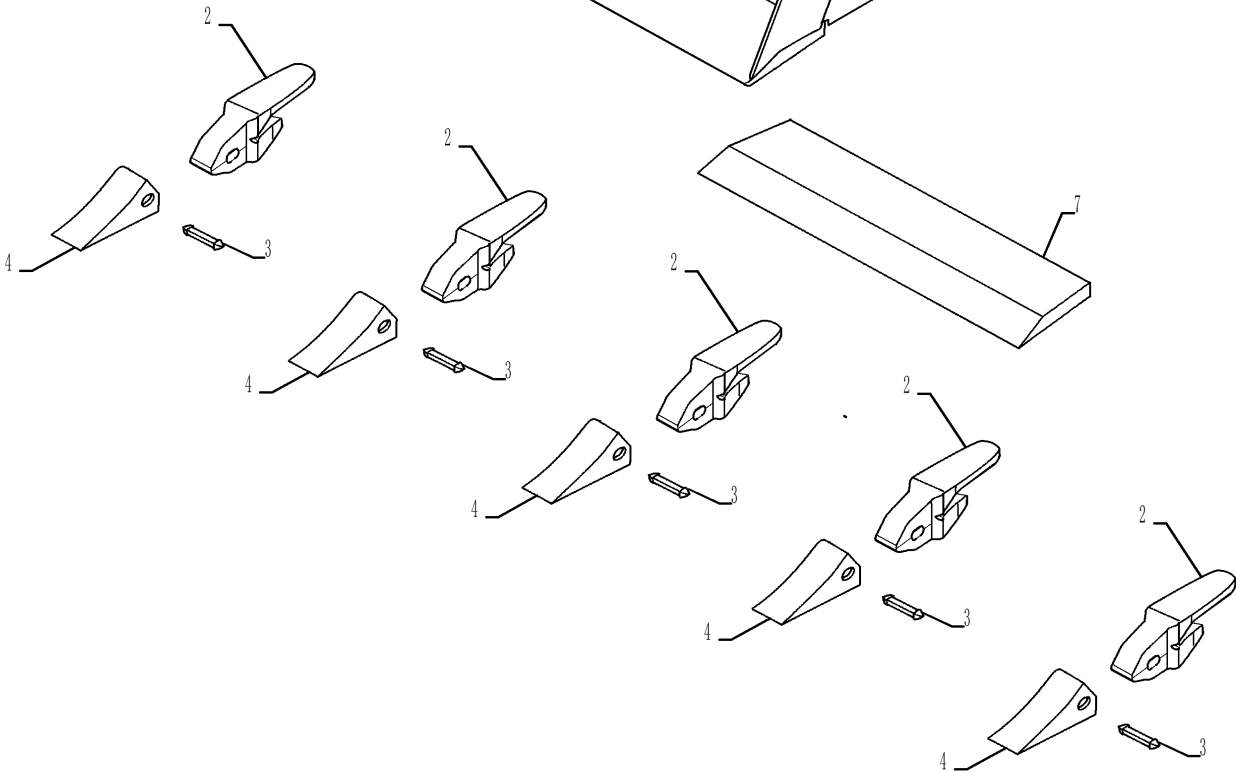
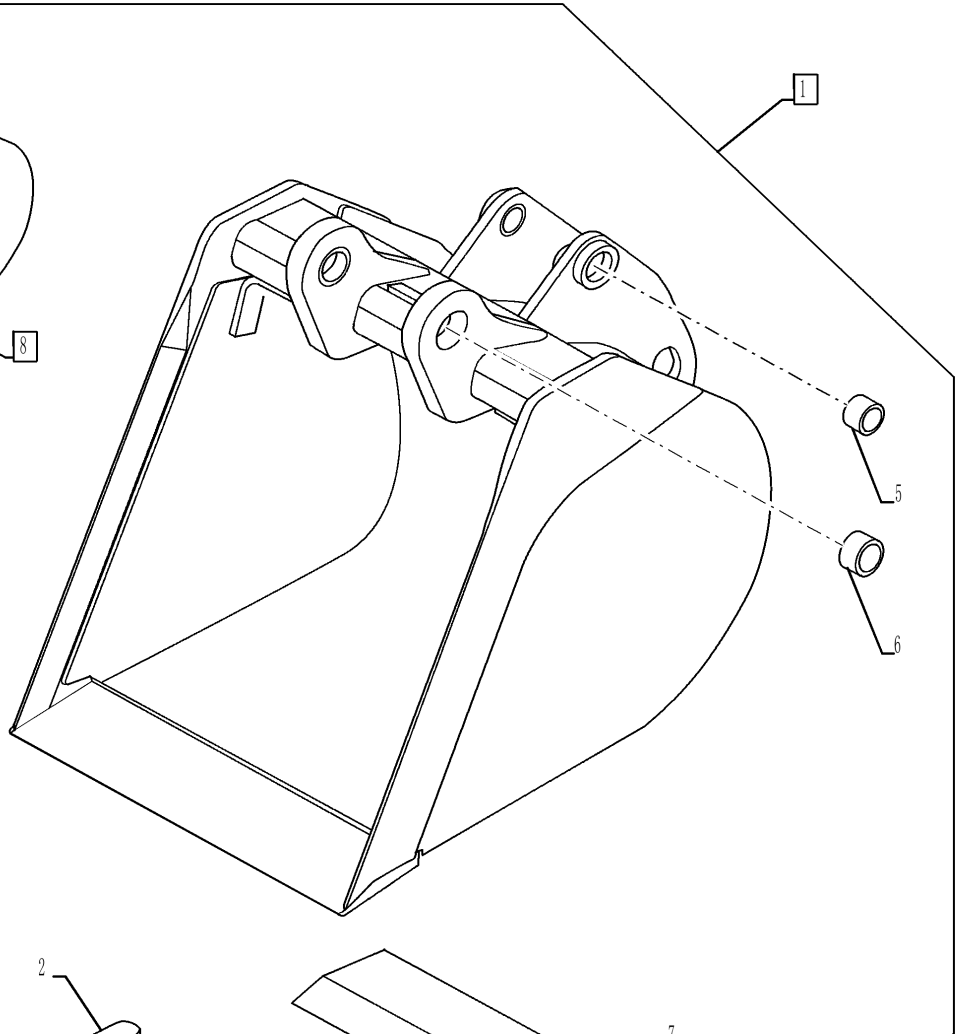
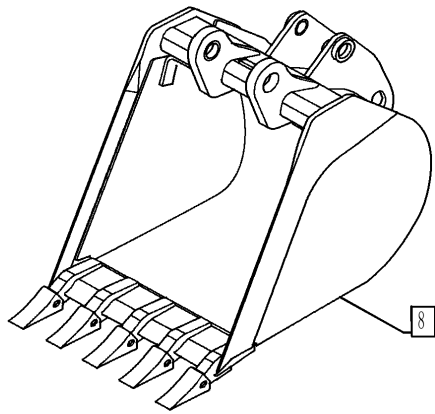
D7361 After Date 30 August 2014

88.084.10

p1

9/2020

DIA KIT, TRENCH BUCKET - 24IN/610MM



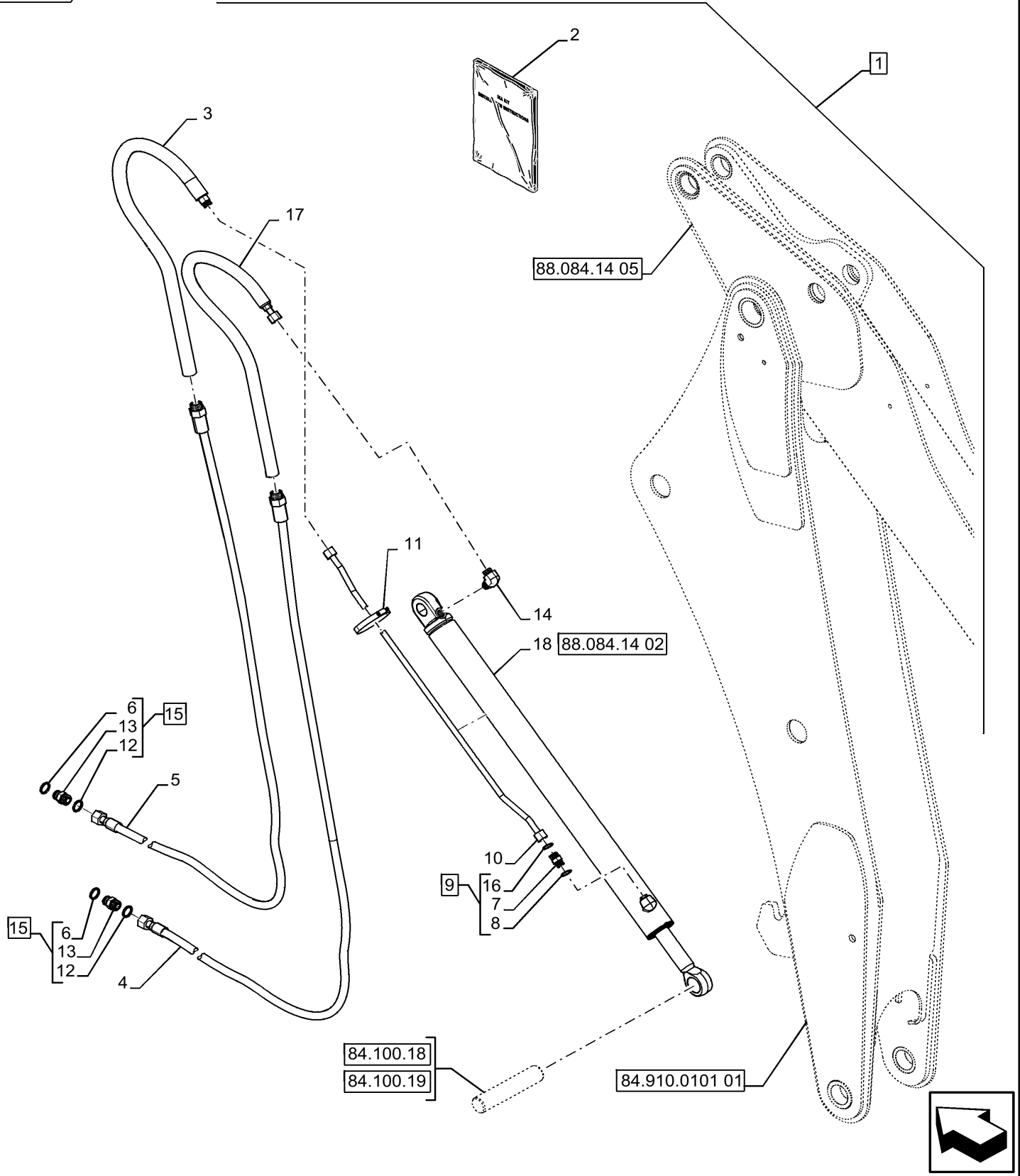
88.084.14

01

p2

9/2020

DIA KIT, CONVERT STANDARD DIPPER TO EXTENDABLE HOE HAND SWING



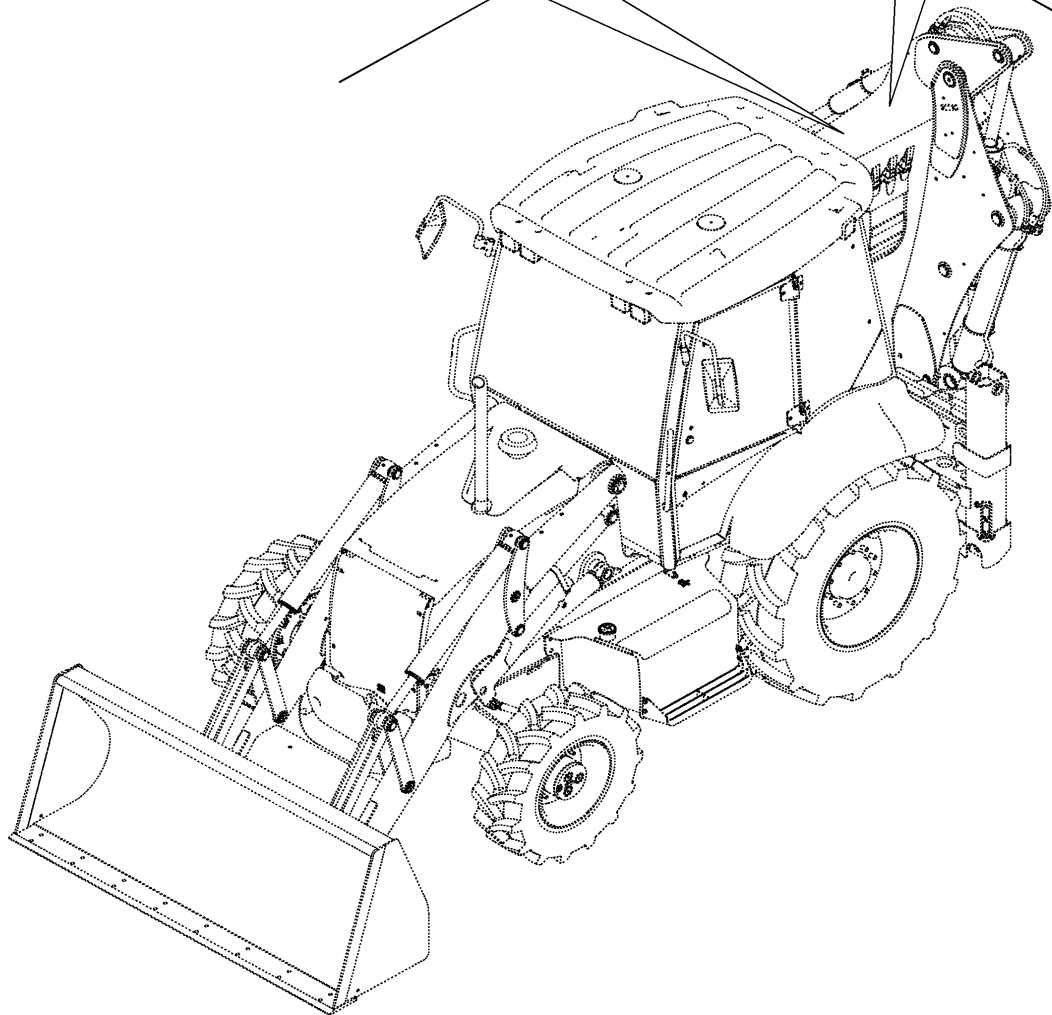
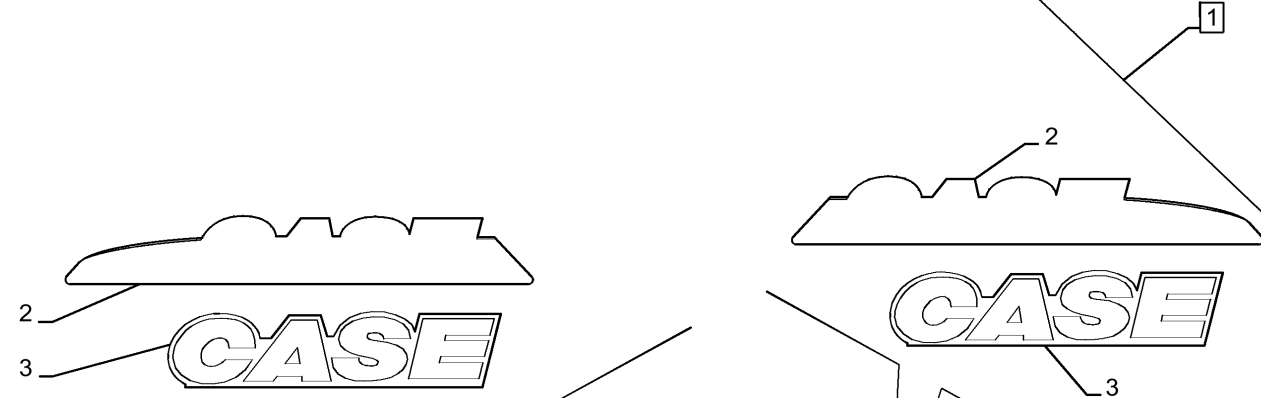
88.084.15

06

p1

9/2020

DIA KIT, CONVERT STANDARD DIPPER TO EXTENDABLE HOE WITH FOOT SWING



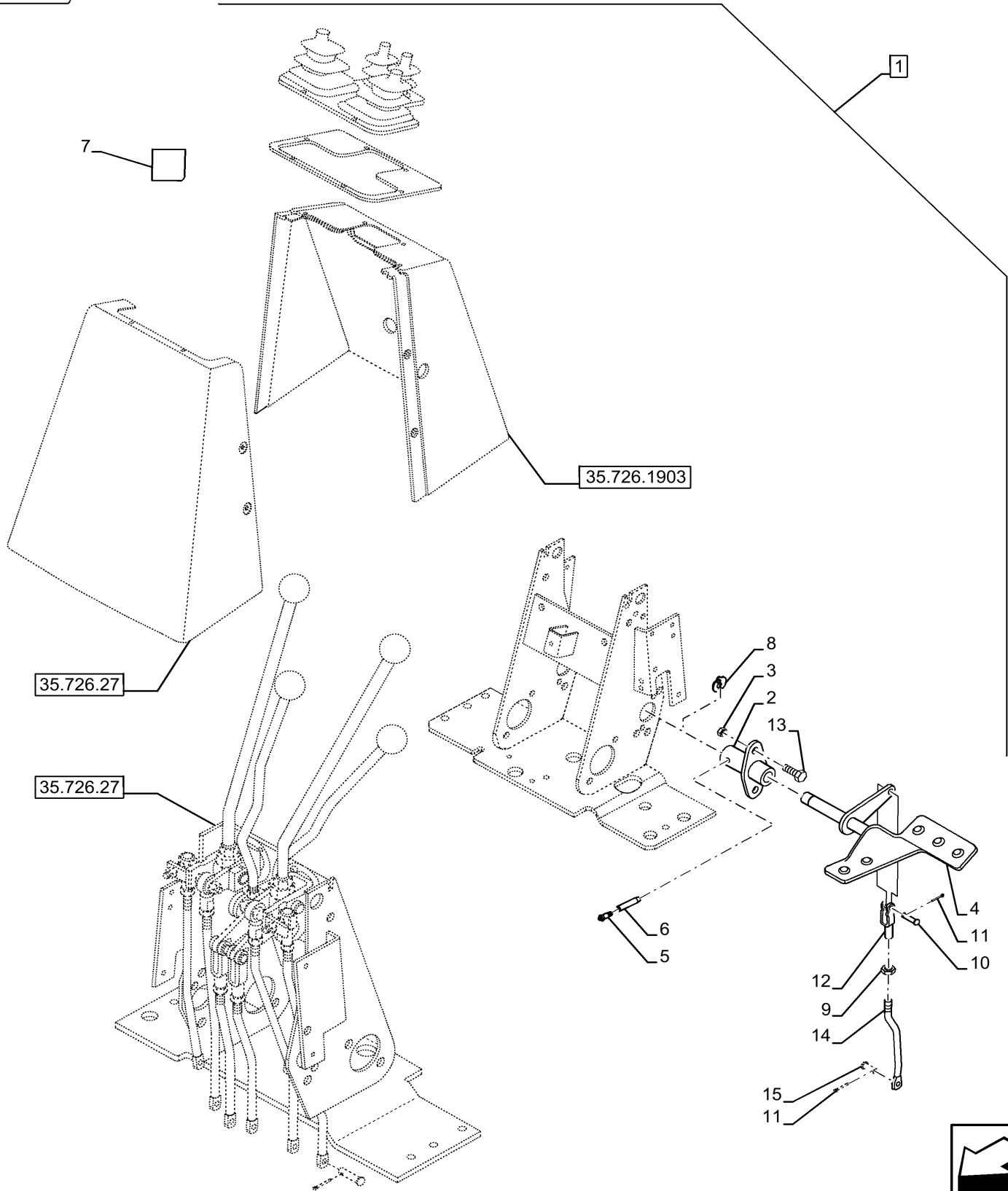
88.084.16

11

p1

9/2020

DIA KIT, CONVERT STANDARD DIPPER TO EXTENDABLE HOE WITH HAND SWING



88.090.08

04

p1

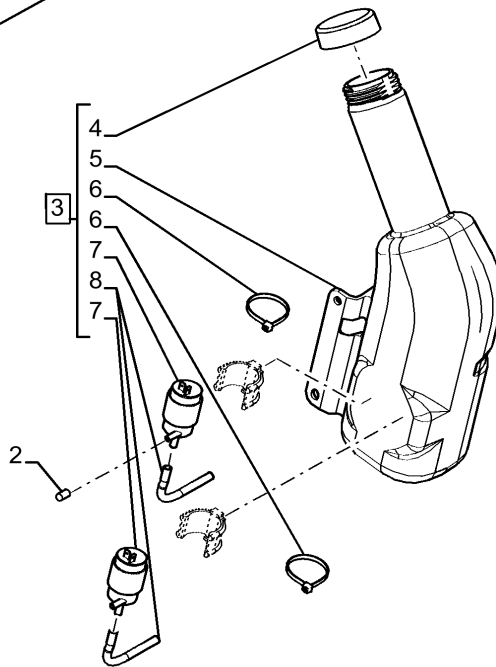
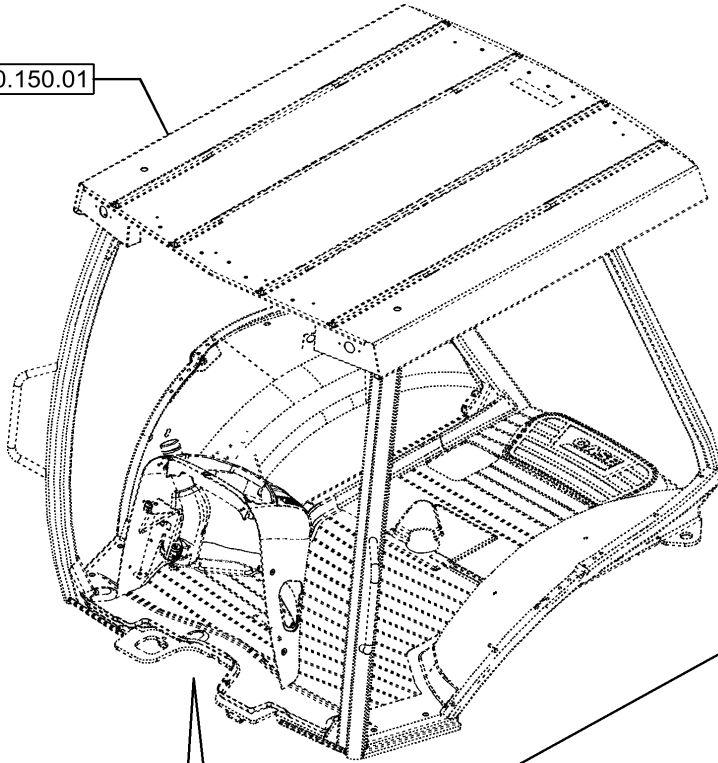
9/2020

DIA KIT, CANOPY CONVERSION NARROW -DLX



90.150.01

1



88.090.11

02

p1

9/2020

DIA KIT, CANOPY CONVERSION WIDE -DLX



1

90.150.01

8

4

3

2

3

6

5

7



90.000.00

01

p1

9/2020

PICTORIAL INDEX - PLATFORM, CAB, BODYWORK AND DECALS



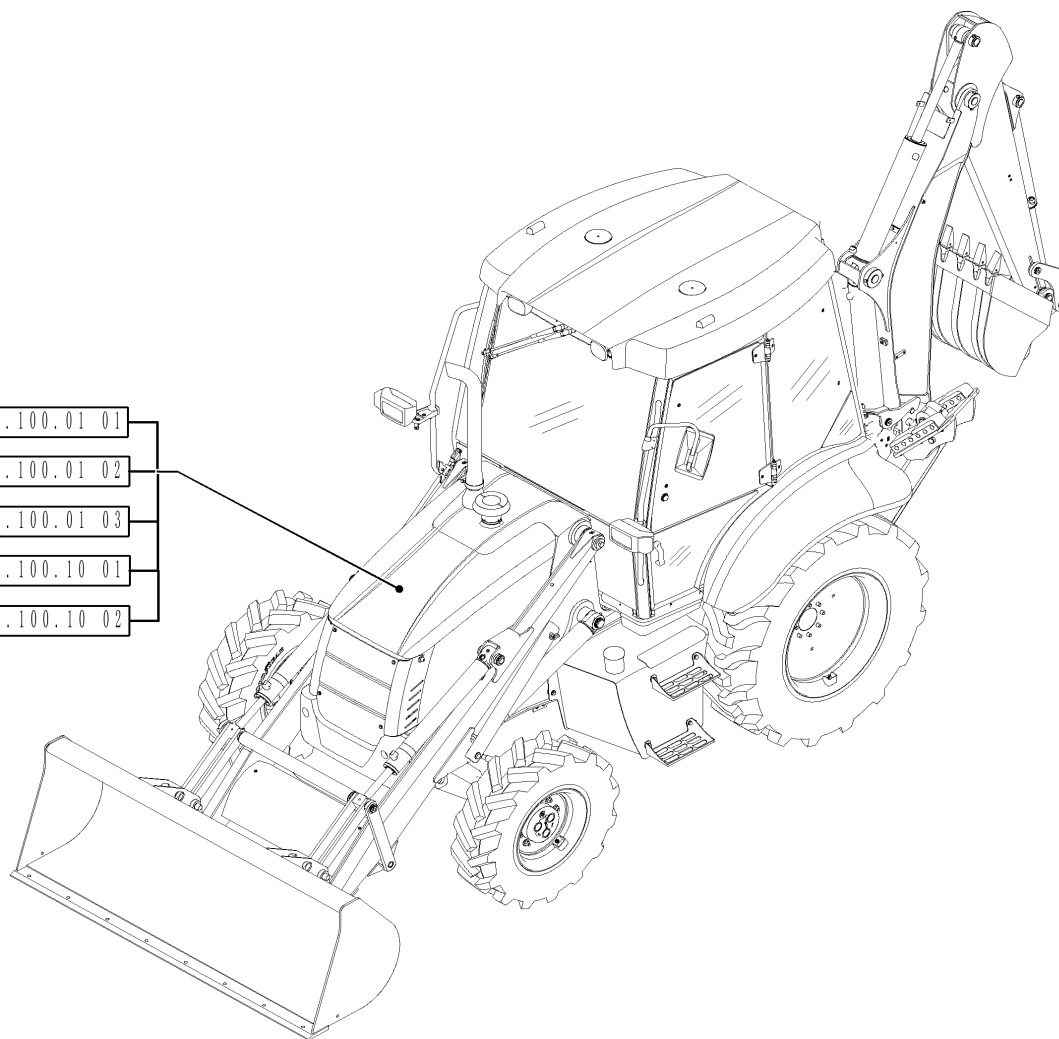
90.100.01 01

90.100.01 02

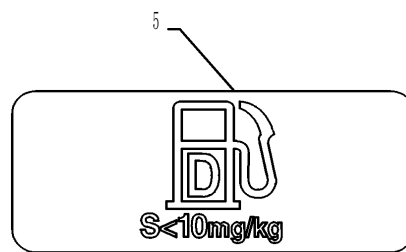
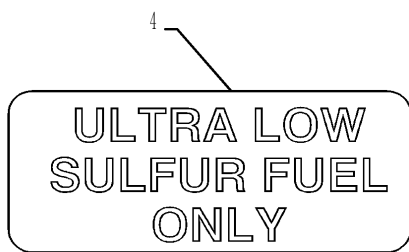
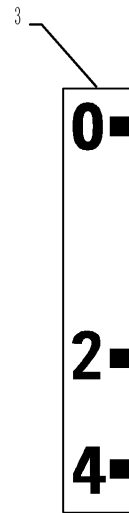
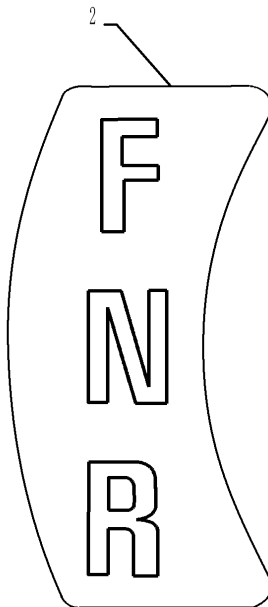
90.100.01 03

90.100.10 01

90.100.10 02



VAR - 423056, 747882, 747883, X47086X - DECALS





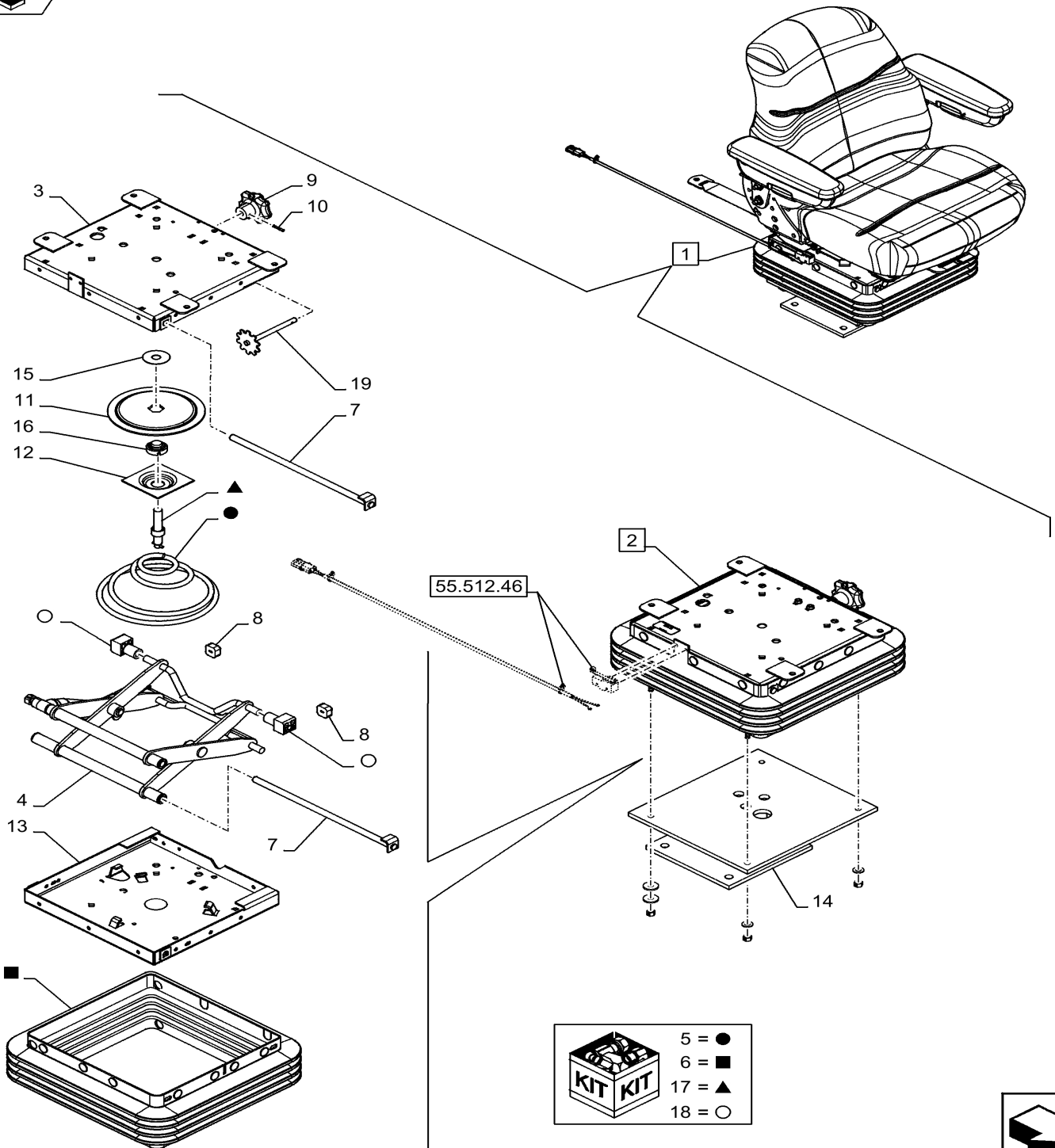
90.120.05

04

p1

9/2020

VAR - 747770 - SEAT, MECHANICAL SUSPENSION - D9007



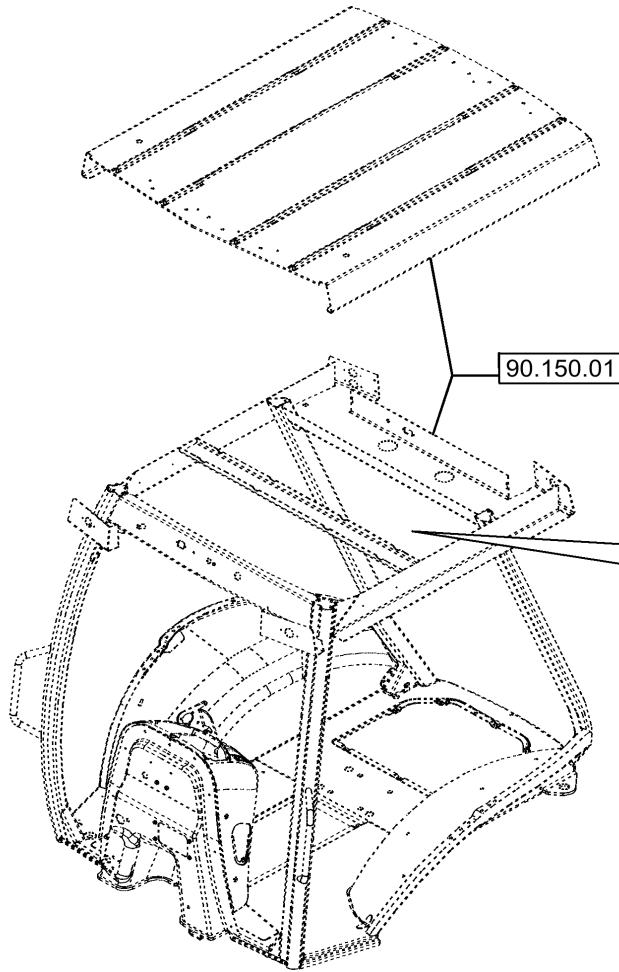
D9007 After Date 8 January 2012

90.150.03

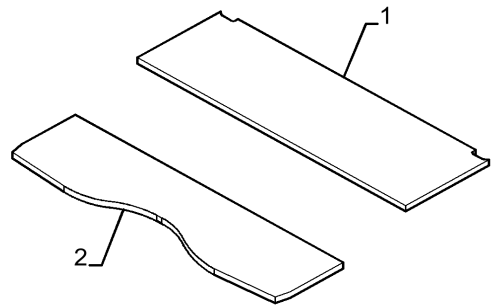
p1

9/2020

VAR - 423000 - CANOPY



90.150.01

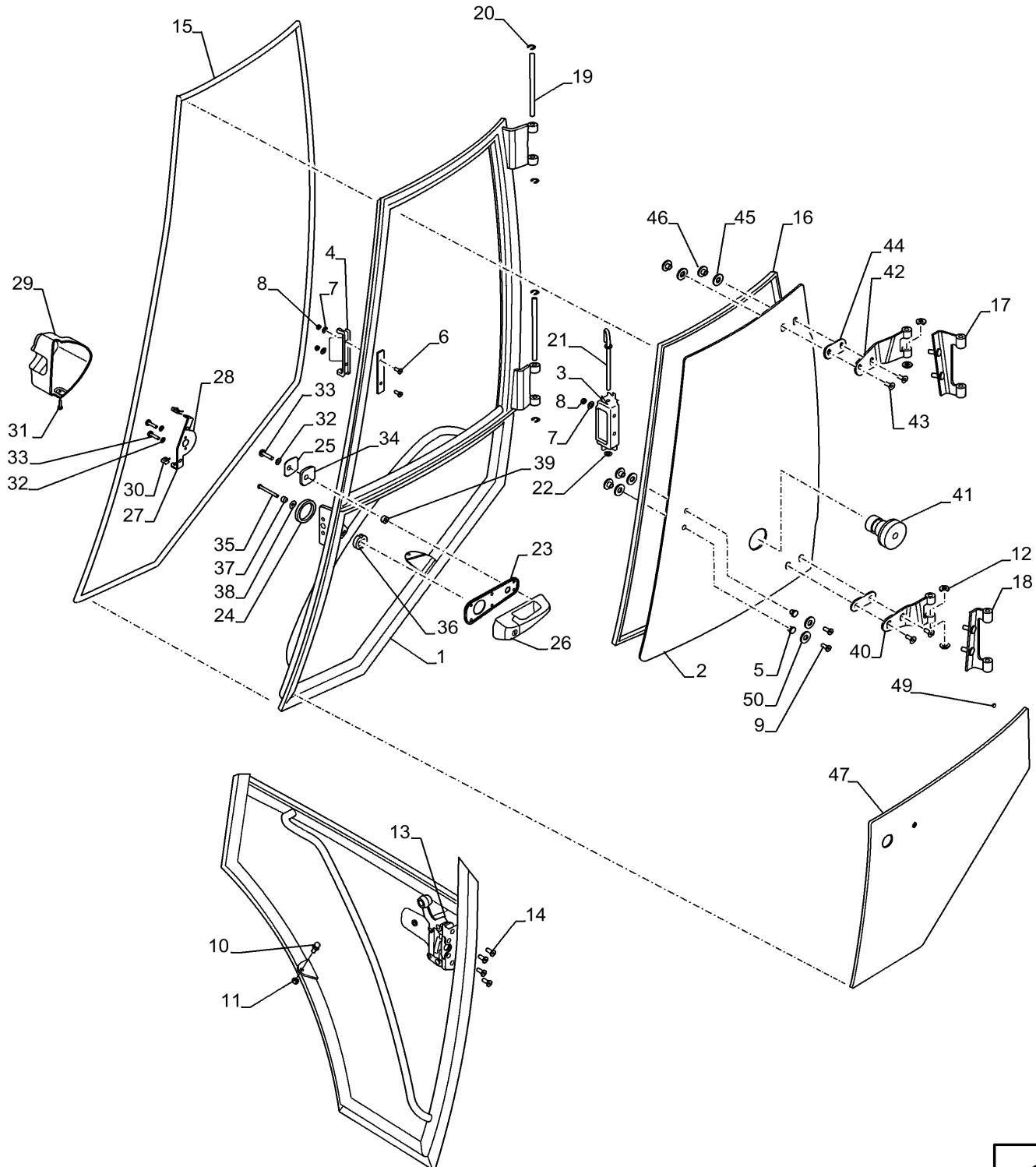


90.154.03

p1

9/2020

VAR - 747853 - CAB - DOORS

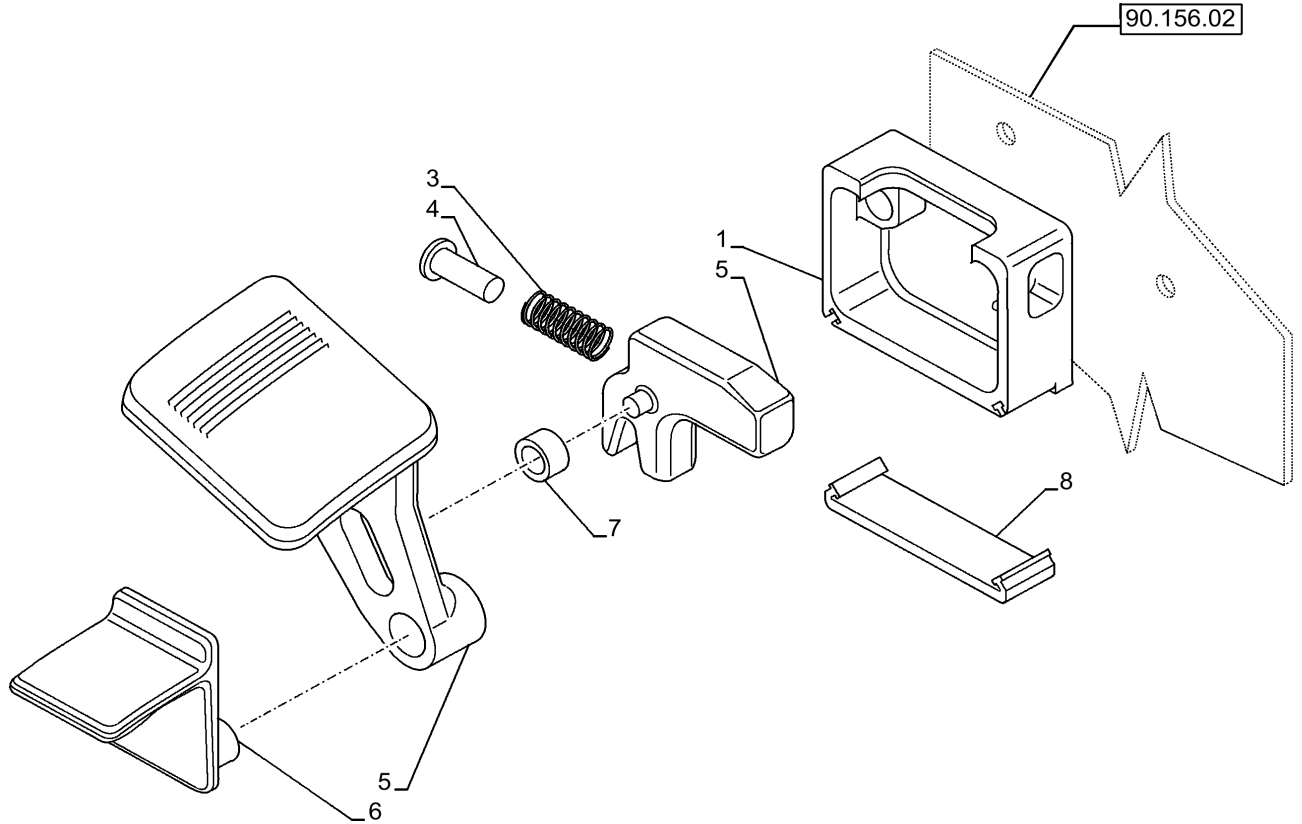


90.156.18

p1

9/2020

VAR - 747853, 747854, 747855 - CAB WINDOW - REAR UPPER

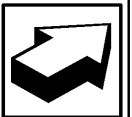
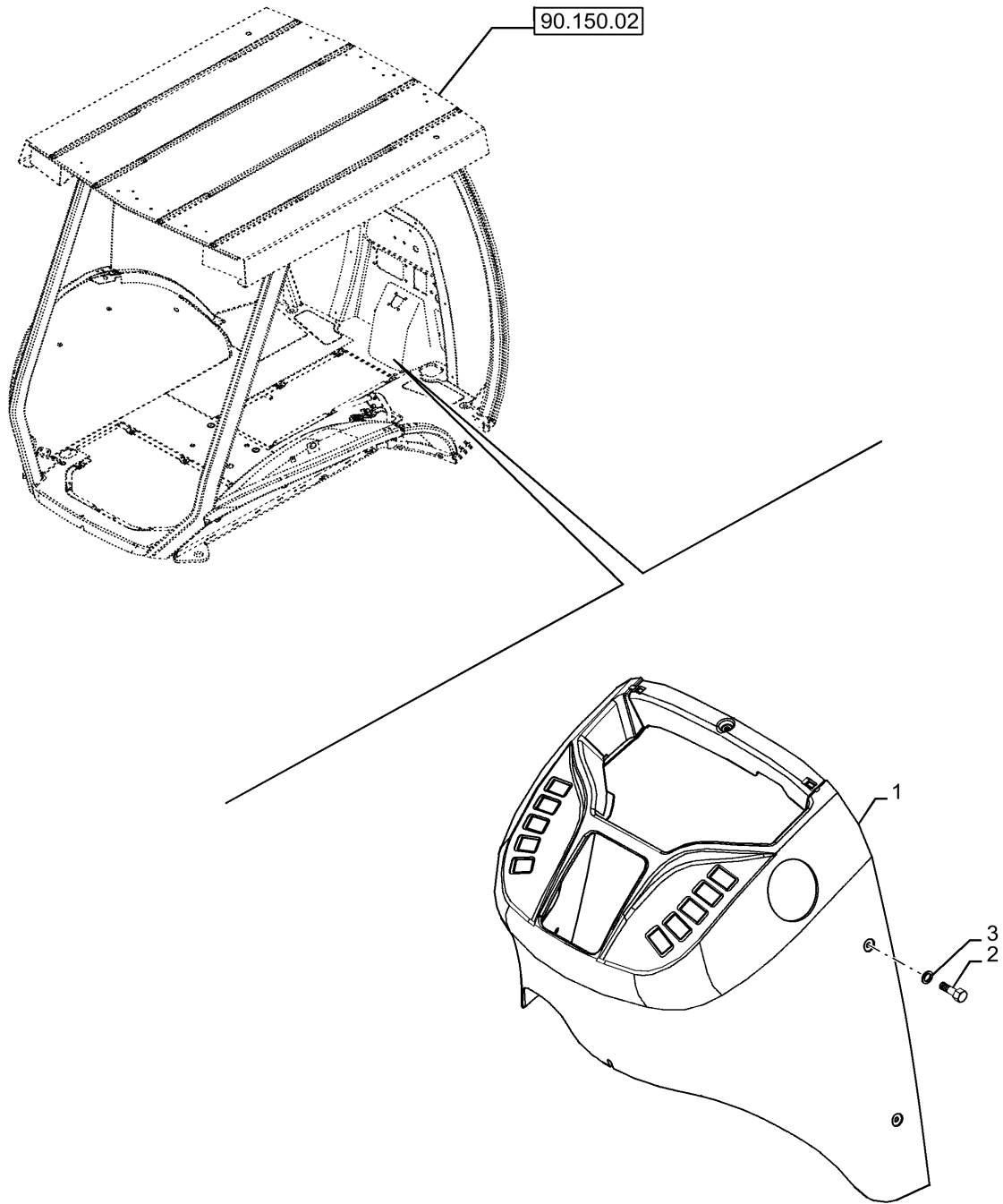


90.160.18

p1

9/2020

VAR - 442082 - CONSOLE - FRONT



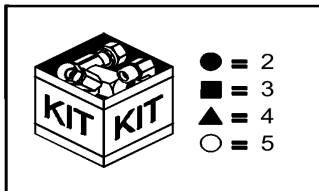
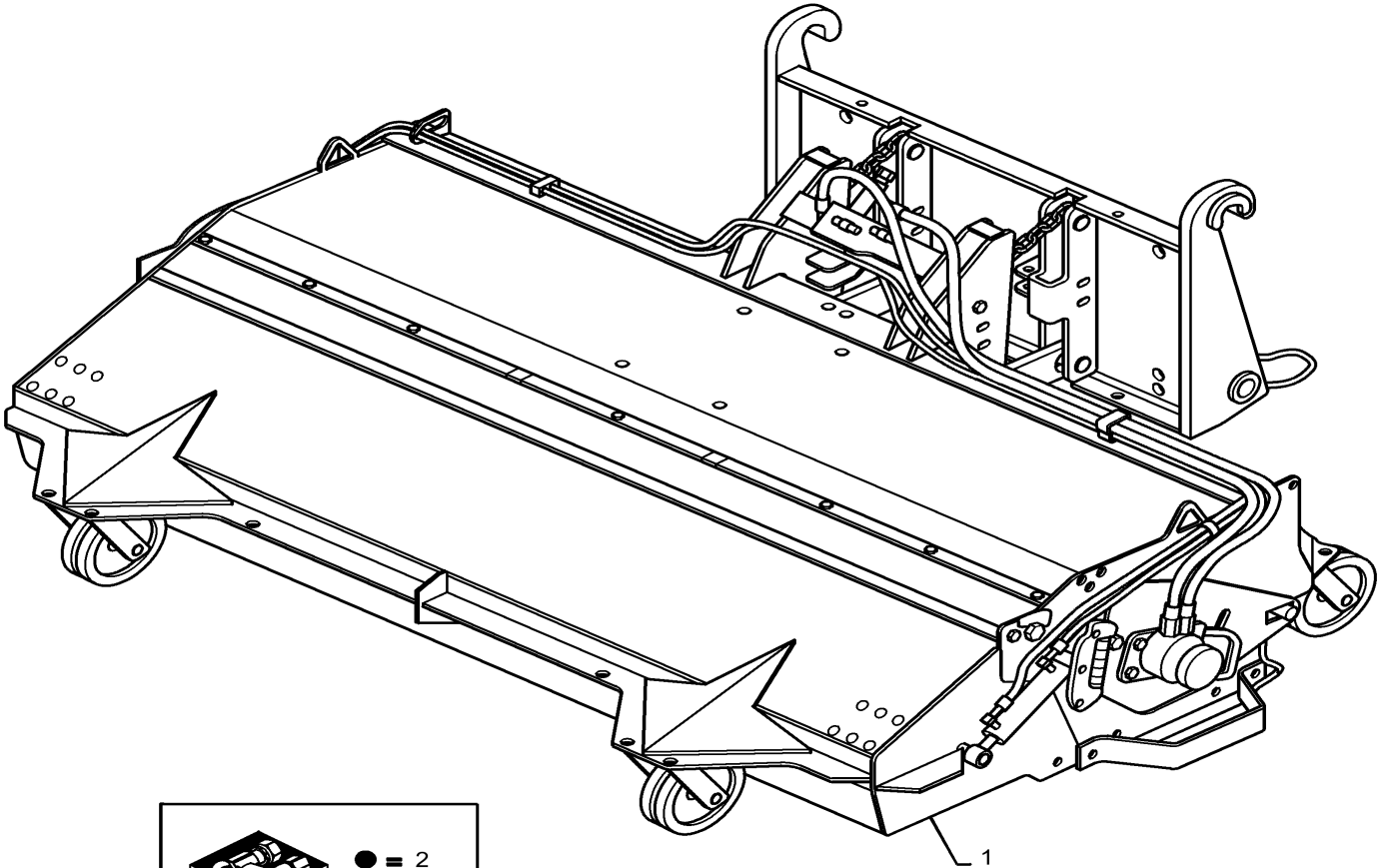
95.100.070

02

p1

9/2020

BROOM - 84"



Order from Ship Direct

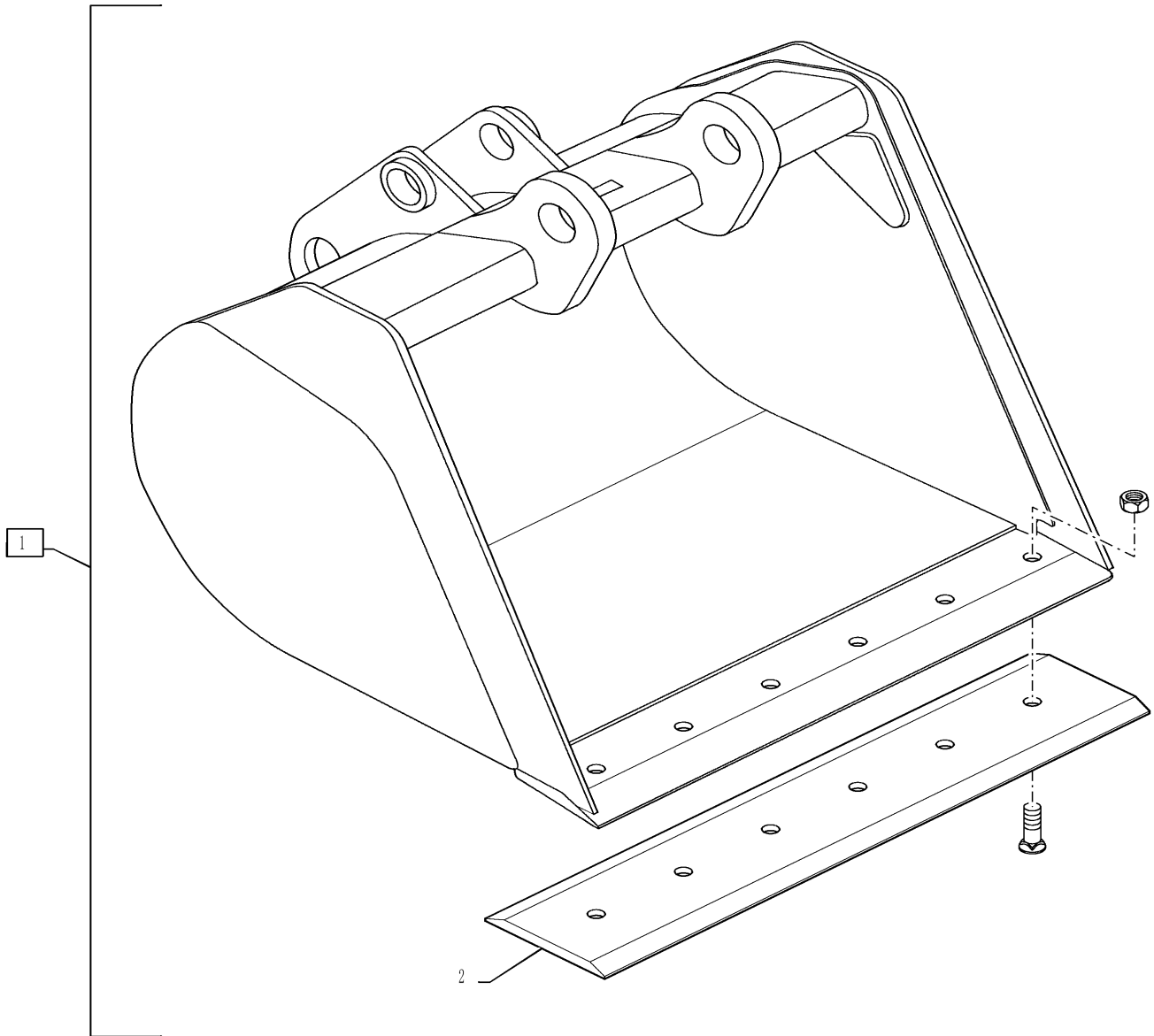
95.100.120

01

p1

9/2020

DITCH CLEANING BUCKET - HD 36"



Order from Ship Direct

INDEX - INDICE - INDEX - ZAHLENVERZEICHNIS - INDICE - INDICE - INDHOLD - INHOUD

Number	Figure	Sequence	Ref.	Number	Figure	Sequence	Ref.
201-352	35.738.03		17	203-905	88.035.56		10
201-352	88.084.13	03	17	203-911	35.701.11		11
201-352	88.084.14	03	17	203-911	35.701.11		13
201-352	88.084.15	03	17	203-911	35.701.11		15
201-377	35.738.02		8	203-911	35.701.1101		11
201-401	35.726.06	01	4	203-911	35.701.1101		13
201-401	35.726.64	01	4	203-911	35.701.1101		15
201-402	35.726.2503		1	203-911	35.701.1102		11
201-402	88.035.21	04	6	203-911	35.701.1102		13
201-407	35.726.08		9	203-911	35.701.1102		15
201-407	35.726.14	02	16	203-911	35.701.14		10
201-407	35.726.63		1	203-911	35.701.14		8
201-411	35.723.06	01	17	203-911	35.701.15		26
201-411	35.723.06	01A	17	203-911	35.701.1501		28
201-411	35.723.06	01B	17	203-911	35.701.1501		30
201-411	35.723.0601	01	17	203-911	35.701.20		21
201-411	35.723.0601	01A	17	203-911	35.701.21		25
201-411	35.723.0601	01B	17	203-911	35.701.22		33
201-411	88.082.03	02	2	203-911	35.701.22		35
201-411	88.082.06	07	2	203-911	35.701.23		21
201-411	95.100.010	03	12	203-911	35.701.24		35
201-412	35.723.06	01	41	203-911	35.701.25		24
201-412	35.723.0601	01	41	203-911	35.723.02		7
201-412	88.082.03	02	13	203-911	35.723.0201		7
201-412	88.082.06	07	13	203-911	35.723.0202		7
201-418	35.106.0101	02	10	203-911	88.035.07	01	7
201-907	35.726.1801		7	203-911	88.035.08	01	9
201-907	35.726.1802		7	203-911	88.035.09	01	9
201-907	35.726.1901		9	203-911	88.035.10	01	7
201-907	35.726.1902		9	203-911	88.035.22	01	9
201-907	88.035.37	04	7	203-911	88.035.24	01	9
201-907	88.035.38	04	7	203-913	35.701.24		33
201-907	88.035.39	05	9	20332	55.302.04		8
201-907	88.035.40	05	9	20943310	21.154.02		3
201-907	88.035.41	06	9	211-1007	35.726.26	04	15
201-907	88.035.42	06	9	213-126	35.726.01		14
201-907	88.035.43	05	7	213-126	35.726.30	01	10
201-907	88.035.44	05	7	213-126	35.726.30	02	6
201-907	88.035.60	11	7	213-126	35.726.34		14
201-907	88.035.61	10	7	213-126	35.726.36	01	17
201-907	88.035.63	02	7	213-126	88.035.03	01	14
201-907	88.035.64	02	9	213-126	88.035.05	01	17
201-907	88.035.65	02	7	213-126	88.035.06	01	10
201-907	88.035.66	02	9	213-126	88.035.29	01	14
201-907	88.035.67	11	9	213-126	88.035.30	03	6
201-907	88.035.68	10	9	213-126	88.035.31	03	6

INDEX - INDICE - INDEX - ZAHLENVERZEICHNIS - INDICE - INDICE - INDHOLD - INHOUD

Number	Figure	Sequence	Ref.	Number	Figure	Sequence	Ref.
614-10040	88.082.06	07	21	614-6025	88.035.60	01	5
614-10040	90.110.0501		7	614-6025	88.035.61	01	5
614-10040	95.100.010	03	20	614-6025	88.035.61	02	5
614-10050	84.120.01		21	614-6025	88.035.67	01	5
614-10070	50.200.02		5	614-6025	88.035.68	01	5
614-10070	88.050.01	05	12	614-6025	88.055.08	01	10
614-10080	90.100.01	01	17	614-6025	88.055.09		20
614-12025	10.406.03		2	614-8012	10.406.02	01	2
614-12025	25.100.02		5	614-8012	10.406.0201	01	2
614-12025	25.100.0201		5	614-8016	10.414.01		7
614-12025	25.100.0202		5	614-8016	84.120.01		1
614-12025	25.100.03		6	614-8018	21.104.03		4
614-12025	25.100.0301		9	614-8018	21.113.0402	01	16
614-12030	21.112.04	01	7	614-8020	10.202.01	01	5
614-12030	21.112.0401		7	614-8020	10.406.02	01	7
614-12030	21.112.05		4	614-8020	10.406.0201	01	7
614-12030	21.112.06		4	614-8020	21.105.01		1
614-12030	21.113.01	01	7	614-8020	33.202.02		18
614-12030	21.113.0101		7	614-8020	39.100.01		17
614-12030	21.113.11		10	614-8020	39.100.0101		17
614-12030	90.100.01	02	5	614-8020	39.100.0102		17
614-12035	10.001.05		8	614-8020	55.408.02		1
614-12035	88.021.02	01	9	614-8020	55.512.31		12
614-12040	25.100.02		11	614-8020	55.518.02		11
614-12040	25.100.0201		11	614-8020	55.518.04		8
614-12040	25.100.0202		11	614-8020	88.090.08	03	5
614-12040	90.151.01		2	614-8020	88.090.11	03	5
614-12040	90.151.02		4	614-8020	90.110.01		3
614-20030	90.100.01	02	7	614-8020	90.110.0101		3
614-6016	35.724.07	02	4	614-8020	90.110.0501		3
614-6016	35.726.33		20	614-8020	90.160.07		12
614-6016	82.100.01	01	26	614-8020	90.160.0701		11
614-6016	82.100.0101	01	26	614-8022	21.154.09		5
614-6016	88.035.30	02	22	614-8025	10.406.02	01	22
614-6016	88.035.31	02	22	614-8025	10.406.0201	01	22
614-6020	35.724.07	01	5	614-8025	10.408.07		7
614-6020	35.724.07	02	15	614-8025	35.300.01		29
614-6020	35.724.0701		5	614-8025	35.723.06	01	21
614-6020	35.726.33		18	614-8025	35.723.06	01A	21
614-6020	88.035.30	02	24	614-8025	35.723.06	01B	21
614-6020	88.035.31	02	24	614-8025	35.723.0601	01	21
614-6025	35.726.01		5	614-8025	35.723.0601	01A	21
614-6025	55.014.01		2	614-8025	35.723.0601	01B	21
614-6025	55.302.01		10	614-8025	35.726.08	02	28
614-6025	88.035.03	01	5	614-8025	35.726.30	01	25
614-6025	88.035.29	01	5	614-8025	35.726.36	01	23

CLICK HERE TO **DOWNLOAD** THE COMPLETE MANUAL

- Thank you very much for reading the preview of the manual.
- You can download the complete manual from: [www.heydownloads.com](http://www.heydownloads.com) by clicking the link below



- Please note: If there is no response to CLICKING the link, please download this PDF first and then click on it.

CLICK HERE TO **DOWNLOAD** THE COMPLETE MANUAL