

All rights reserved by **CNHi**.

The information contained in this catalogue is intended to be of a general nature only. **CNHi** may at any time and from time to time, for technical or other necessary reasons, modify any of the details or specifications of the product described in this catalogue.

To be sure of getting accurate, detailed and up-to-date information, an intending buyer should consult his nearest **CNHi** dealer or distributor.

Single item numeration method used in this catalogue may not be used without written consent from **CNHi**.

CLICK HERE TO **DOWNLOAD** THE COMPLETE MANUAL

- Thank you very much for reading the preview of the manual.
- You can download the complete manual from: www.heydownloads.com by clicking the link below



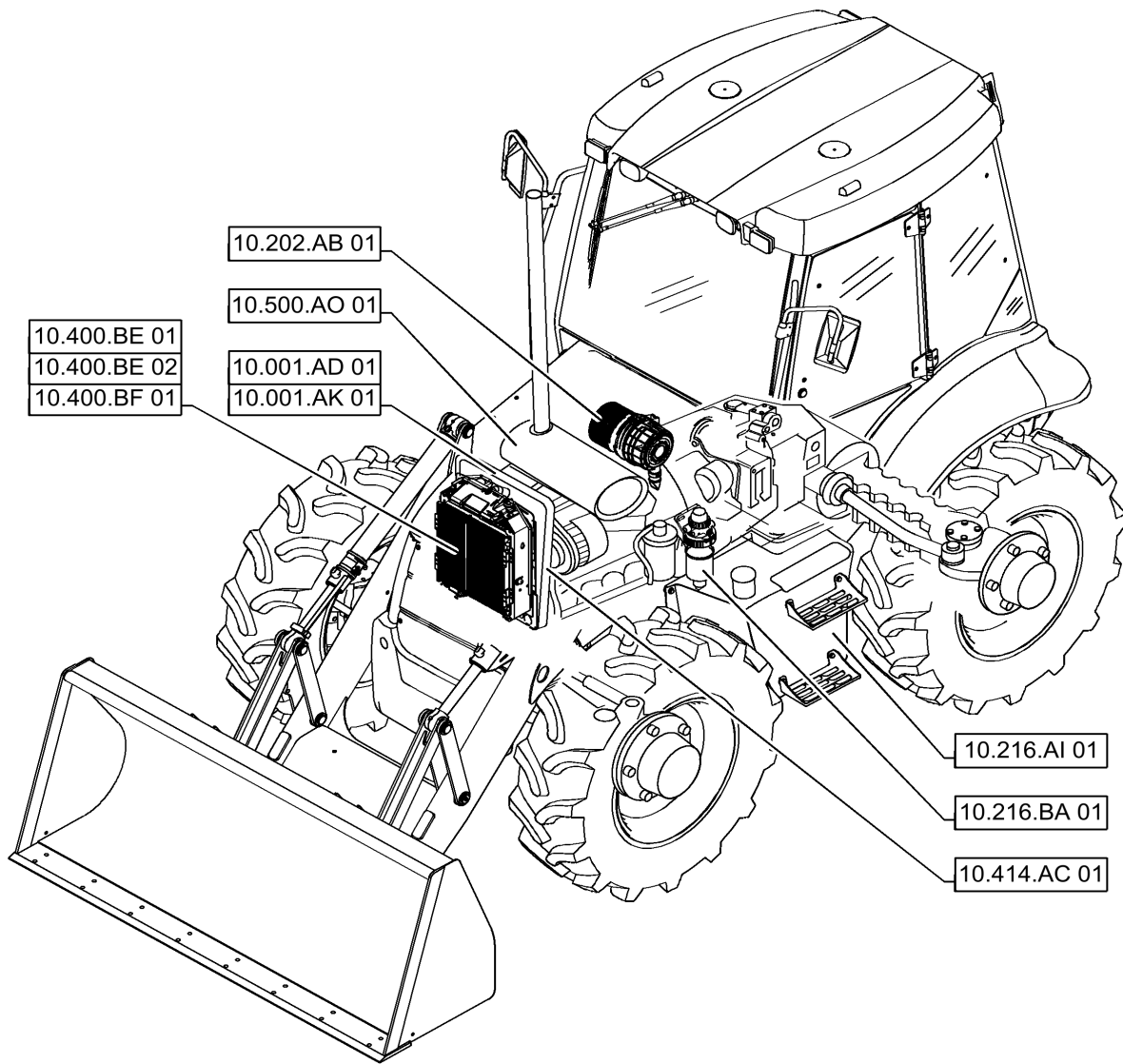
- Please note: If there is no response to CLICKING the link, please download this PDF first and then click on it.

CLICK HERE TO **DOWNLOAD** THE COMPLETE MANUAL

TABLE OF CONTENTS

55.100.DP	04	CANOPY WIRE HARNESS
55.100.DP	05	LOW PROFILE CANOPY WIRE HARNESS
55.100.DP	06	WINDSHIELD WASH RESERVOIR, HARNESS
55.100.DP	08	HEATED CCV WIRE HARNESS
55.100.DP	09	TURN SIGNAL, WIRE HARNESS, JUMPER
55.101.AC	01	CHASSIS HARNESS
55.110.AF	01	CAB WIRE HARNESS WITH A/C
55.201.AE	01	ENGINE STARTER
55.201.AU	01	STARTER MOTOR JUMPER CABLE
55.202.AE	01	BLOCK HEATER
55.202.AG	01	GLOW PLUG CONTROL MODULE
55.301.AA	01	ALTERNATOR
55.302.AG	01	SINGLE BATTERY & BATTERY CABLES - W/O COLD START
55.302.AG	02	DUAL BATTERY & BATTERY CABLES
55.302.AI	01	BATTERY DISCONNECT SWITCH
55.302.AI	02	BATTERY DISCONNECT SWITCH
55.404.AC	01	ROTARY BEACON
55.404.AQ	01	DRIVING LIGHTS, CAB
55.404.BS	01	LOW PROFILE CANOPY LIGHTS
55.404.BS	02	CANOPY, TALL ROPS, LIGHT
55.404.BS	03	TURN SIGNAL LIGHT, ASSY
55.404.BS	04	LOW PROFILE CANOPY LIGHTS, ASSY
55.404.BS	05	MARKER, LIGHT, ASSY
55.404.BS	06	LIGHT, ASSY, FLOOD
55.404.BS	07	LIGHT, ASSY, DRIVING
55.404.BS	08	LED WORK LAMP
55.404.CL	01	LH TURN SIGNAL LIGHTS, CAB
55.404.CL	02	RH TURN SIGNAL LIGHTS, CAB
55.404.CL	03	TURN SIGNAL LIGHT MOUNTING, CAB
55.408.AG	01	HORN
55.408.BE	01	BACKUP ALARM
55.510.AF	01	CAB, FRONT HARNESS INSTALLATION
55.510.AF	02	FRONT, CAB WIRE HARNESS
55.510.AF	03	KIT RELAY 12V, 5A

PICTORIAL INDEX - ENGINE ATTACHMENTS



00.000.25

p1

10/201
9

PICTORIAL INDEX - AXLE FRONT, 4WD

REF FN	PART NUMBER	YR/SN	QTY	DESCRIPTION
--------	-------------	-------	-----	-------------

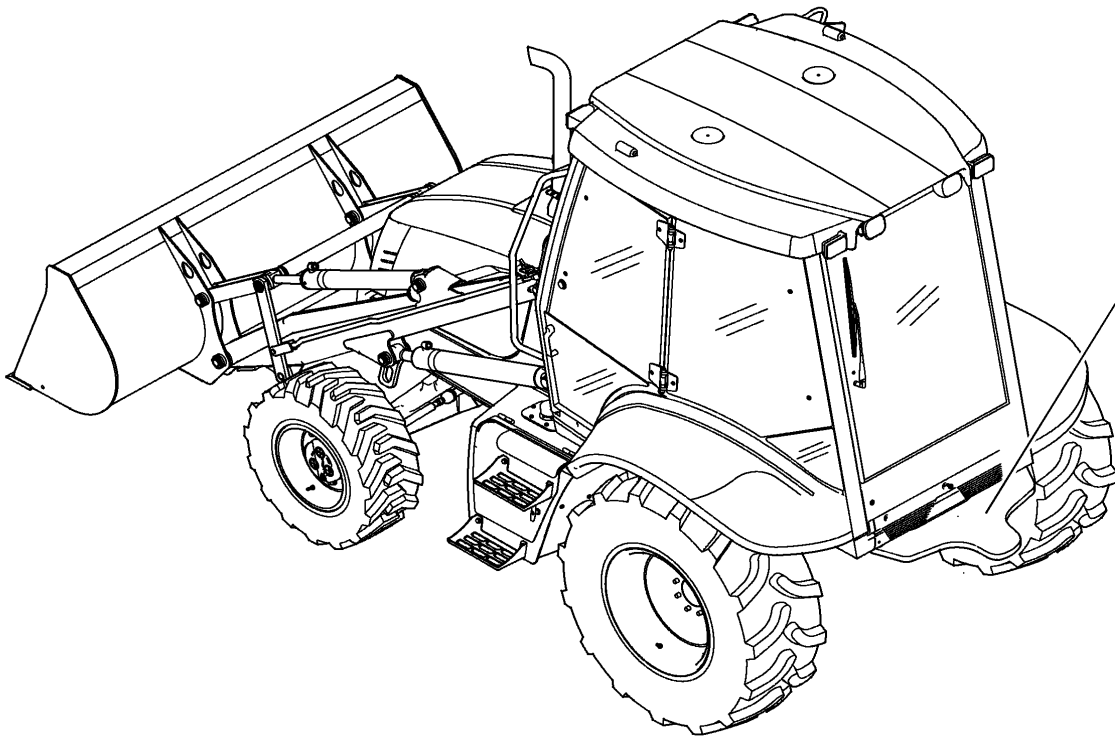
570N EP-LOADER LANDSCAPER - TIER 4B

00.000.37

p1

10/201
9

PICTORIAL INDEX - 3 POINT HITCH



- 37.100.AA 01
- 37.100.AC 01
- 37.108.AD 01
- 37.110.AP 01
- 37.110.AP 02
- 37.120.AX 01



00.000.44

p1

10/201
9

PICTORIAL INDEX - WHEELS, 4WD

REF FN	PART NUMBER	YR/SN	QTY	DESCRIPTION
---------------	--------------------	--------------	------------	--------------------

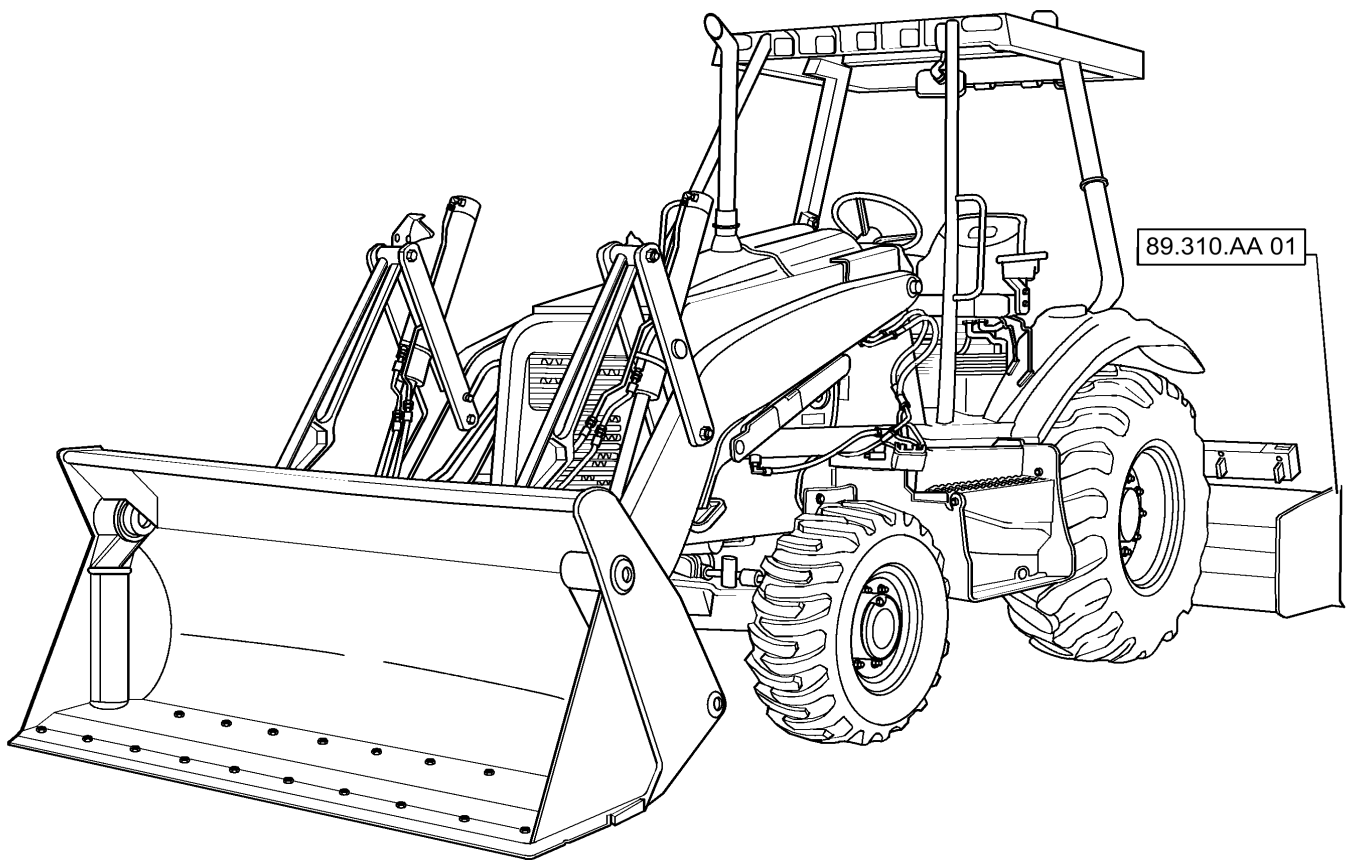
570N EP-LOADER LANDSCAPER - TIER 4B

00.000.89

p1

10/201
9

PICTORIAL INDEX - TOOLS



00.100.04

p1

10/201
9

MOVE TO BIC

REF FN	PART NUMBER	YR/SN	QTY DESCRIPTION
.	{		BIC - Burlington Installation Corp (316) 943-2515
.	{		http://burlingtoninstallation.com/

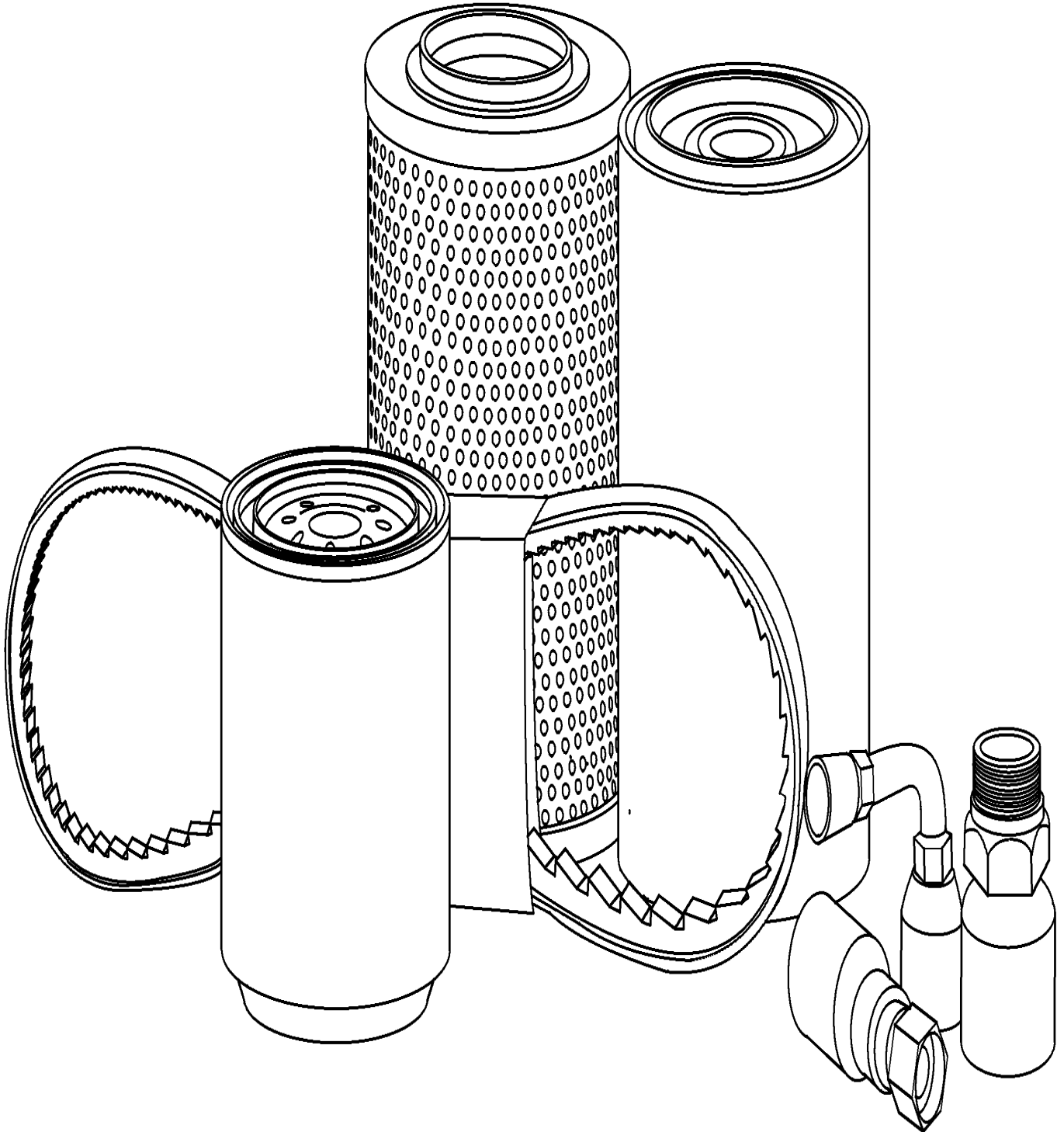
570N EP-LOADER LANDSCAPER - TIER 4B

05.100.02

p4

10/201
9

INITIAL STOCKING LIST (LIST B)



05.100.99

p1

10/201
9

INITIAL STOCKING LIST (LIST C)

REF FN	PART NUMBER	YR/SN	QTY DESCRIPTION
1	47667947		1 HYDRAULIC OIL FILTER
2	47635977		1 BALL BEARING 3.150mm OD
3	47625924		1 RESISTOR

570N EP-LOADER LANDSCAPER - TIER 4B

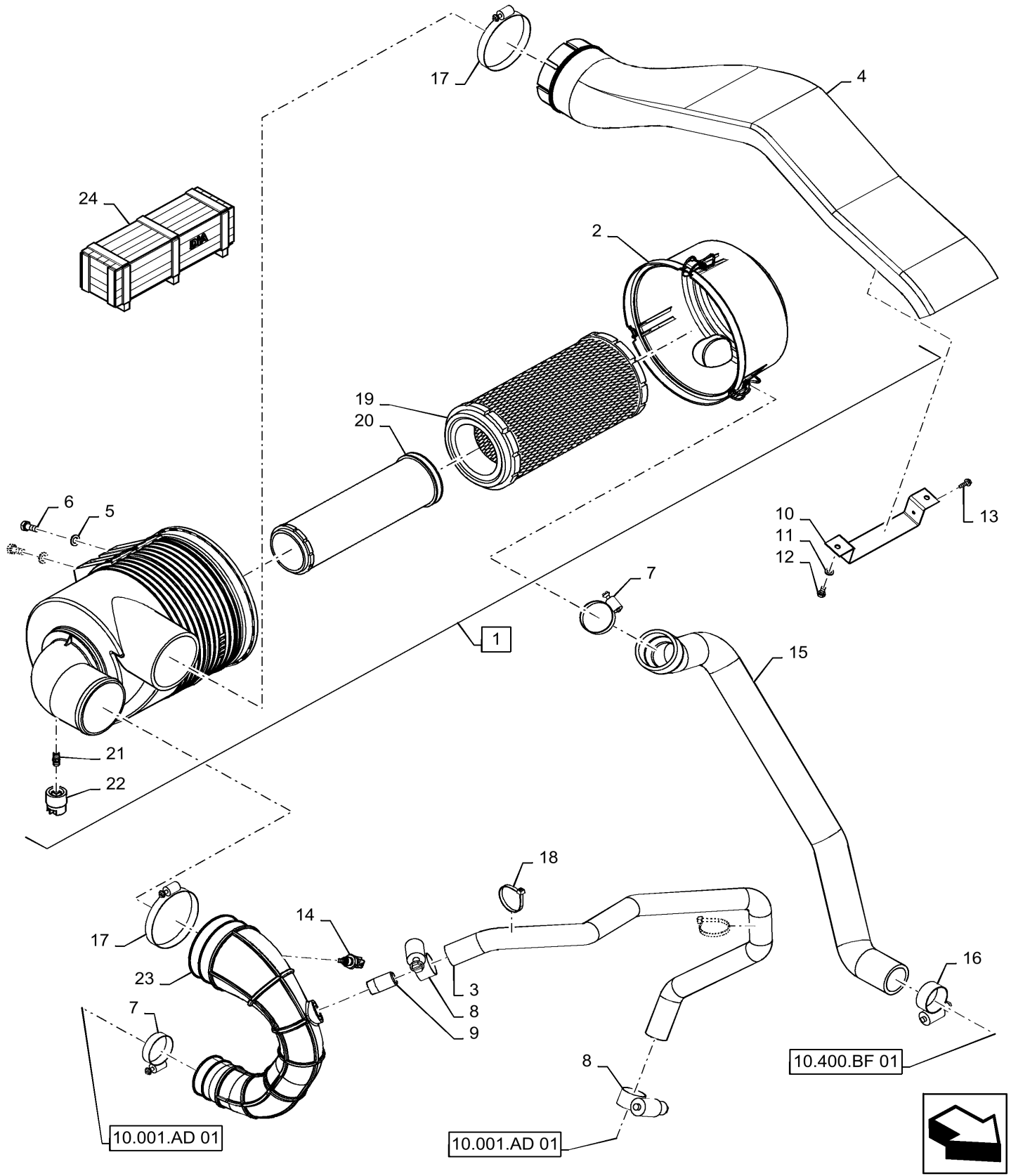
10.202.AB

01

p2

10/201
9

AIR CLEANER ASSEMBLY



FUEL FILTER/WATER SEPARATOR, COMPONENTS

REF FN	PART NUMBER	YR/SN	QTY DESCRIPTION
1	1 47541051		1 FUEL FILTER W/ WIF Sensor ASSY, Incl 2 - 14
2	NSS		1 NOT SOLD SEPARAT Filter Head, Incl in 1
3	87840177		1 O-RING Air Vent
4	87840178		1 PLUG Air Vent
5	87840171		1 SEAL Dust
6	84565926		1 FUEL FILTER 20.6mm ID x 85mm OD x 154.3mm L, W/ Water Drain Secondary, W/ WIF Sensor
7	87840170		1 LOCKING RING
8	87612469		1 SEALING WASHER
9	87612471		1 SEAL Water Bowl
10	NSS		1 NOT SOLD SEPARAT Bowl, Incl in 11
11	87801005		1 KIT Water Bowl, Incl 9, 10
12	87840173		1 RETAINER
13	87840174		1 O-RING Top Cap
14	87612472		1 KIT Hand Primer
	87801004		1 SEAL KIT Water Bowl Seals & Washer

(1) See Fuel Filter Components also in Figure 55.010.AQ

570N EP-LOADER LANDSCAPER - TIER 4B

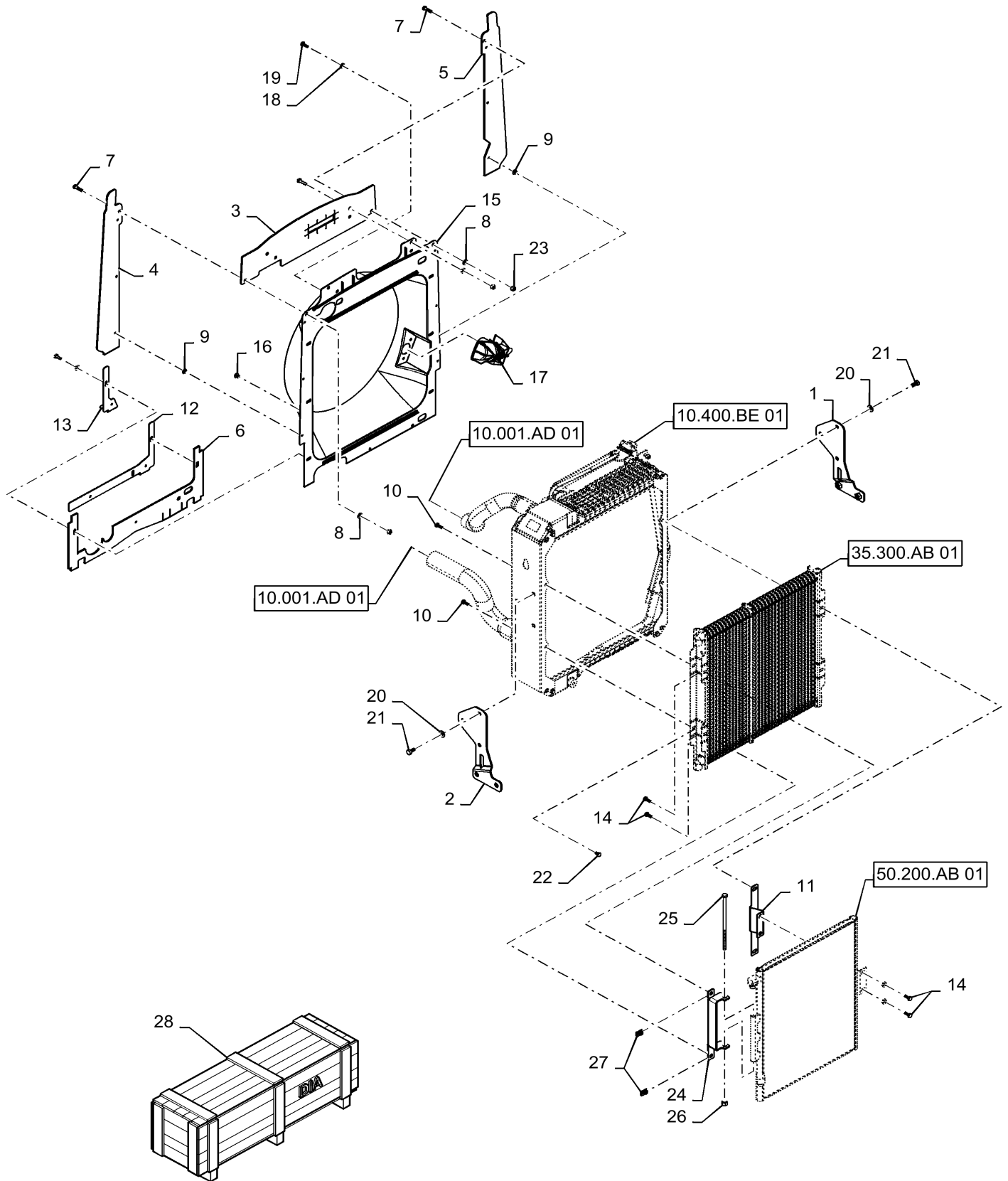
10.400.BF

01

p1

10/201
9

RADIATOR & COOLER MOUNTING, 2WD



ENGINE FAN & BELT DRIVE

REF FN	PART NUMBER	YR/SN	QTY DESCRIPTION
1	84390630		1 PULLEY Fan
1	5801420820		1 PULLEY Fan
2	303192A1		1 ADAPTER
3	614-10030		4 BOLT Hex, M10 x 1.5 x 30mm, Cl 8.8, Full Thd
4	87655046		4 SPECIAL WASHER 10.65mm ID x 23mm OD x 2.2mm Thk
5	277800A1		1 FAN 9 Blade, 500.1mm OD, CW Rotation
6	87340008		1 DRIVE Viscous Fan
7 1	48145590		1 CONSTRUCTION DIA DIA Kit, High Ambient (Order from Wholegoods Only) Incl 1 - 6

(1) To See the Full DIA Kit Composition Look For All the Figures Where the DIA Kit P/N is Shown

570N EP-LOADER LANDSCAPER - TIER 4B

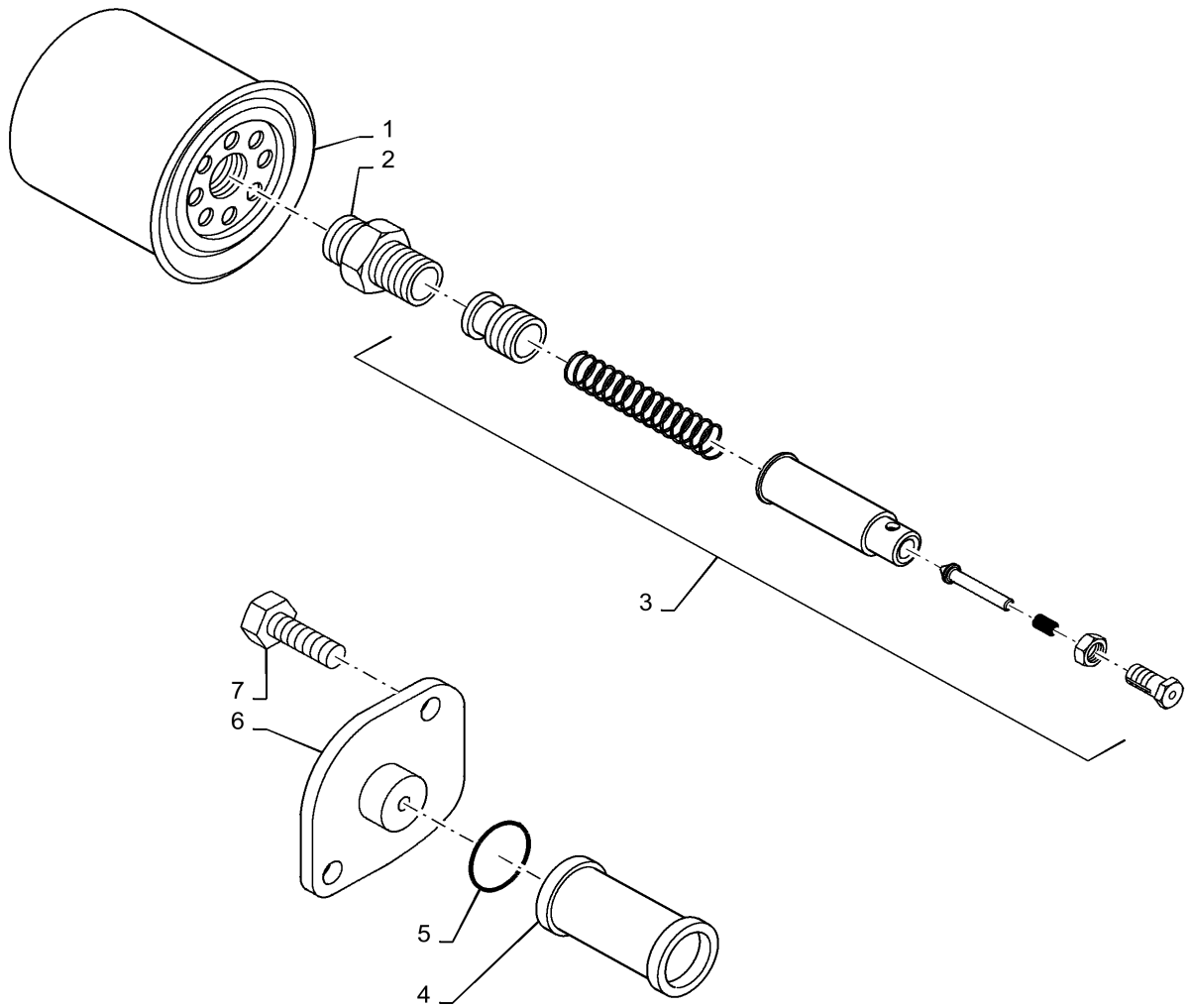
21.100.AG

01

p1

10/201
9

TRANSMISSION OIL FILTER, 2WD & 4WD



21.114.AB

01

p1

10/201
9

TRANSMISSION OIL DIPSTICK, 4WD

REF FN	PART NUMBER	YR/SN	QTY DESCRIPTION
1	87601345		1 DIPSTICK 824mm L Transmission
2	47592698		1 TUBE Dipstick, Standard
3	218-459		1 HYD CONNECTOR 1-5/16" - 12 Male JIC x 3/4" - 14 Male NPTF

570N EP-LOADER LANDSCAPER - TIER 4B

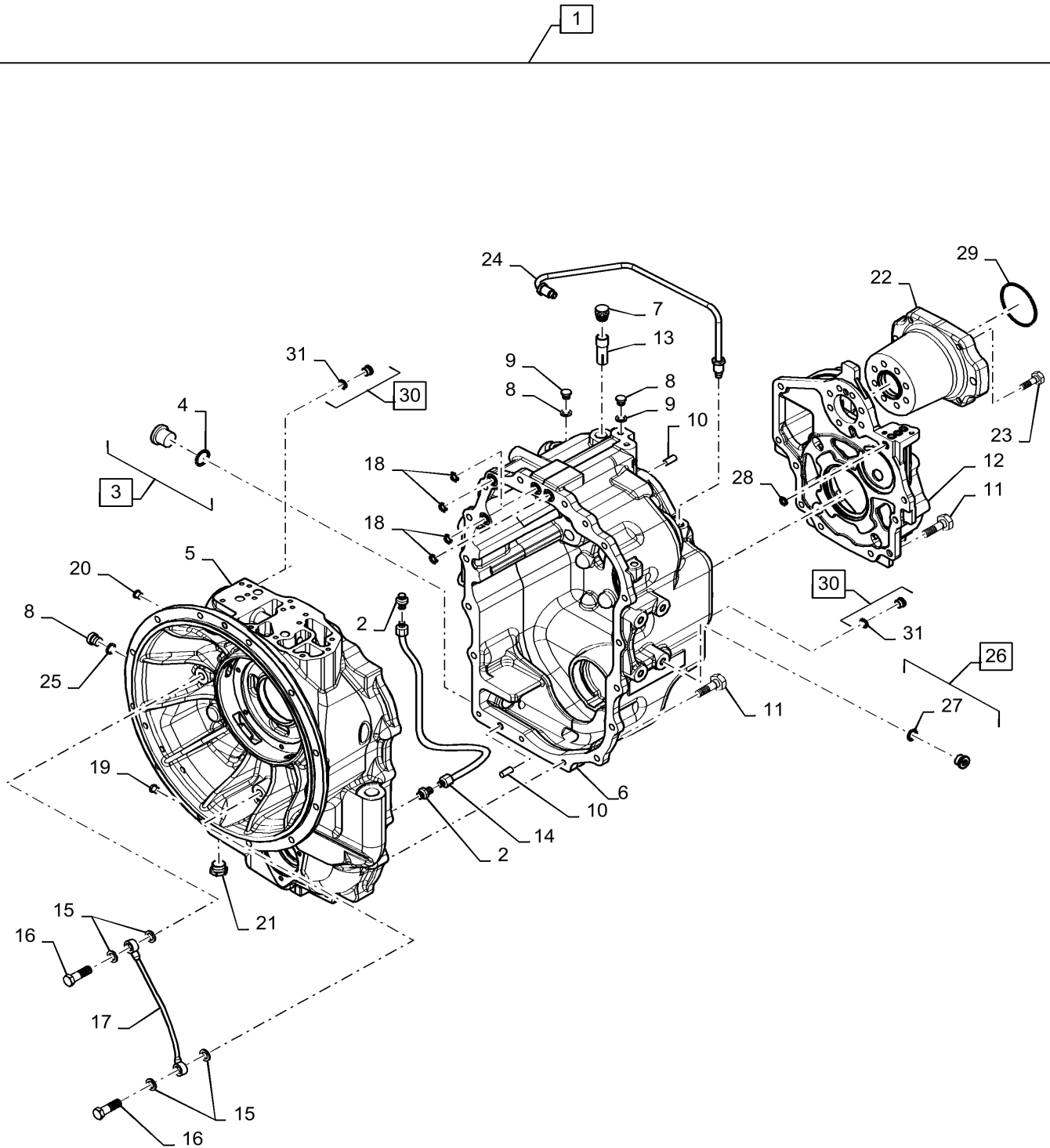
21.114.AL

03

p1

10/2019

TRANSMISSION HOUSING, 4WD



21.126.AB

03

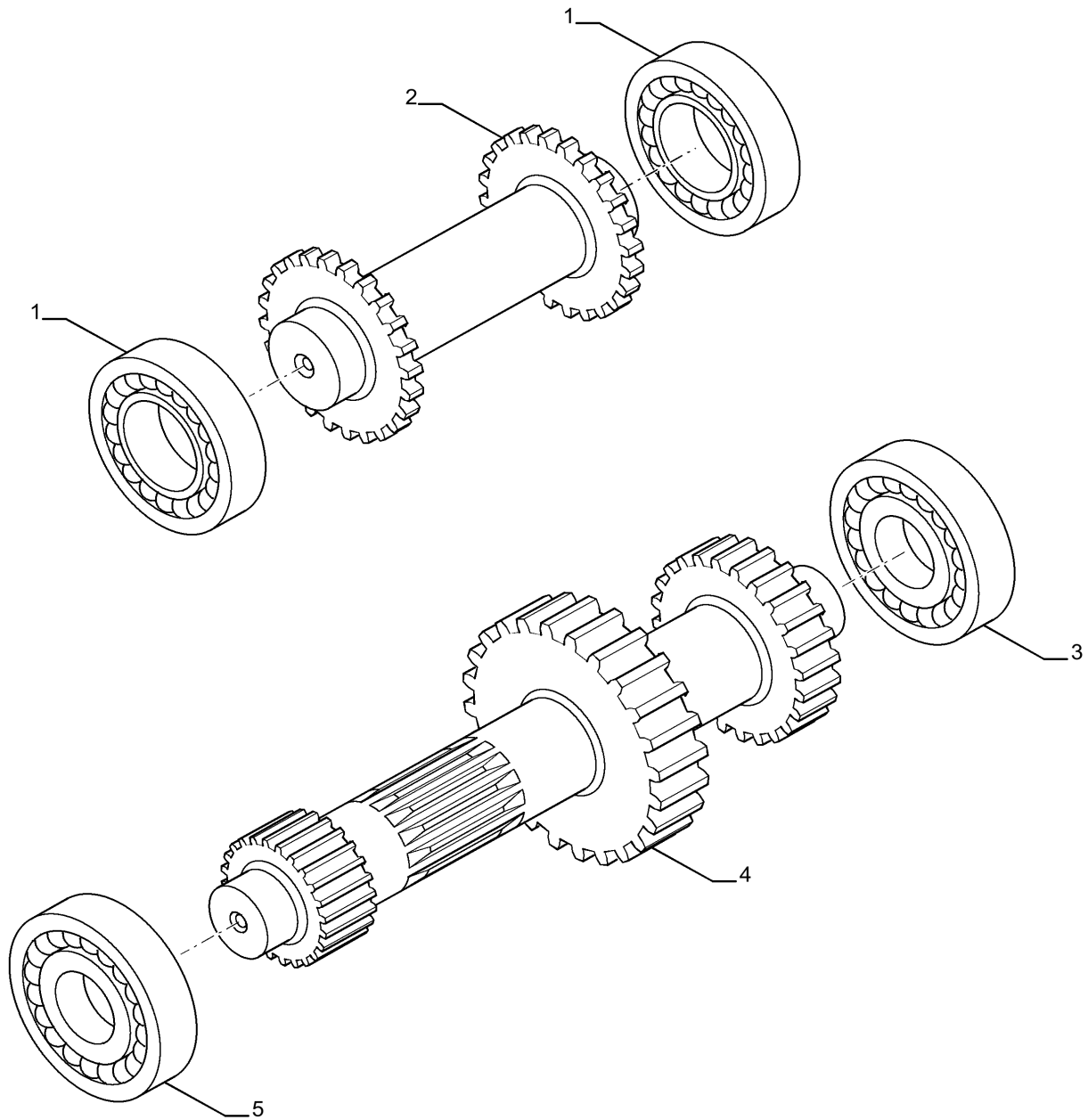
p1

10/201
9**TRANSMISSION SHIFT LEVER HANDLE, 2WD & 4WD**

REF FN	PART NUMBER	YR/SN	QTY DESCRIPTION
1	187715A1		1 KNOB Lower Control Lever
2	187714A1		1 KNOB Upper
3	310965A1		2 DIVIDER Divided Shift Handle
4	493-41020		2 LOCK WASHER Ext Tooth, #10
5	87020181		2 SCREW Phillips Drive, Pan HD, #10 - 32 x 7/8"

570N EP-LOADER LANDSCAPER - TIER 4B

TRANSMISSION PRIMARY & REVERSE SHAFT, 2WD & 4WD



21.182.AB

01

p1

10/201
9**DIFFERENTIAL LOCK HOSE ASSY, 2WD, W/O PTO**

REF FN	PART NUMBER	YR/SN	QTY DESCRIPTION
1	218-5105		2 ELBOW 90 Degree Elbow, 9/16" - 18 Male JIC x 9/16" - 18 Male ORB Incl 2
2	9617873		2 O-RING 0.078" Thk x 0.468" ID, -906, CI 6, 90 Duro Incl in 1
3	87431701		1 HYDRAULIC HOSE 6.4mm ID x 1350mm L Differential Lock
4	191704A1		1 HOSE PROTECTION 19mm ID x 25mm OD x 460mm L Guard
5	L11541		2 CABLE TIE 203.2mm L, Nylon

570N EP-LOADER LANDSCAPER - TIER 4B

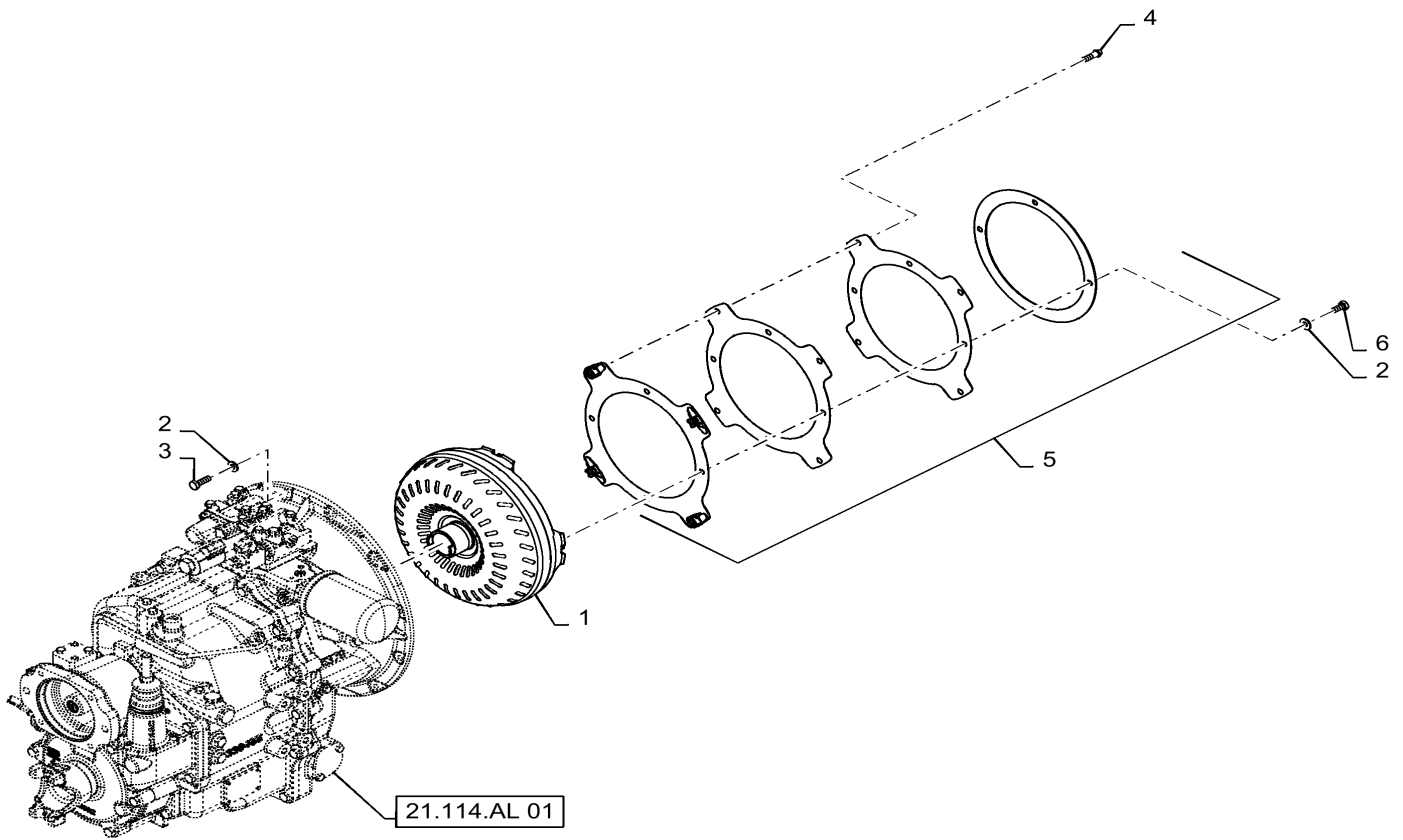
21.700.AA

02

p1

10/201
9

TORQUE CONVERTER, W/ PTO, 2WD



Standard Transmission

4WD DRIVE SHAFT GUARD

REF FN	PART NUMBER	YR/SN	QTY DESCRIPTION
1	47604689		1 GUARD Drive Shaft
1	48079595		1 GUARD Drive Shaft
2	86625256		3 WASHER 13.3mm ID x 28.5mm OD x 4mm Thk
3	614-12040		3 BOLT Hex, M12 x 1.75 x 40mm, Cl 8.8, Full Thd
4	47654986		1 CONSTRUCTION DIA DIA Kit, 4WD Drive Shaft, Incl 1 - 3
4 1	48099553		1 KIT DIA Kit, 4WD Drive Shaft, Incl 1 - 3

(1) To See the Full DIA Kit Composition Look For All the Figures Where the DIA Kit P/N is Shown

570N EP-LOADER LANDSCAPER - TIER 4B

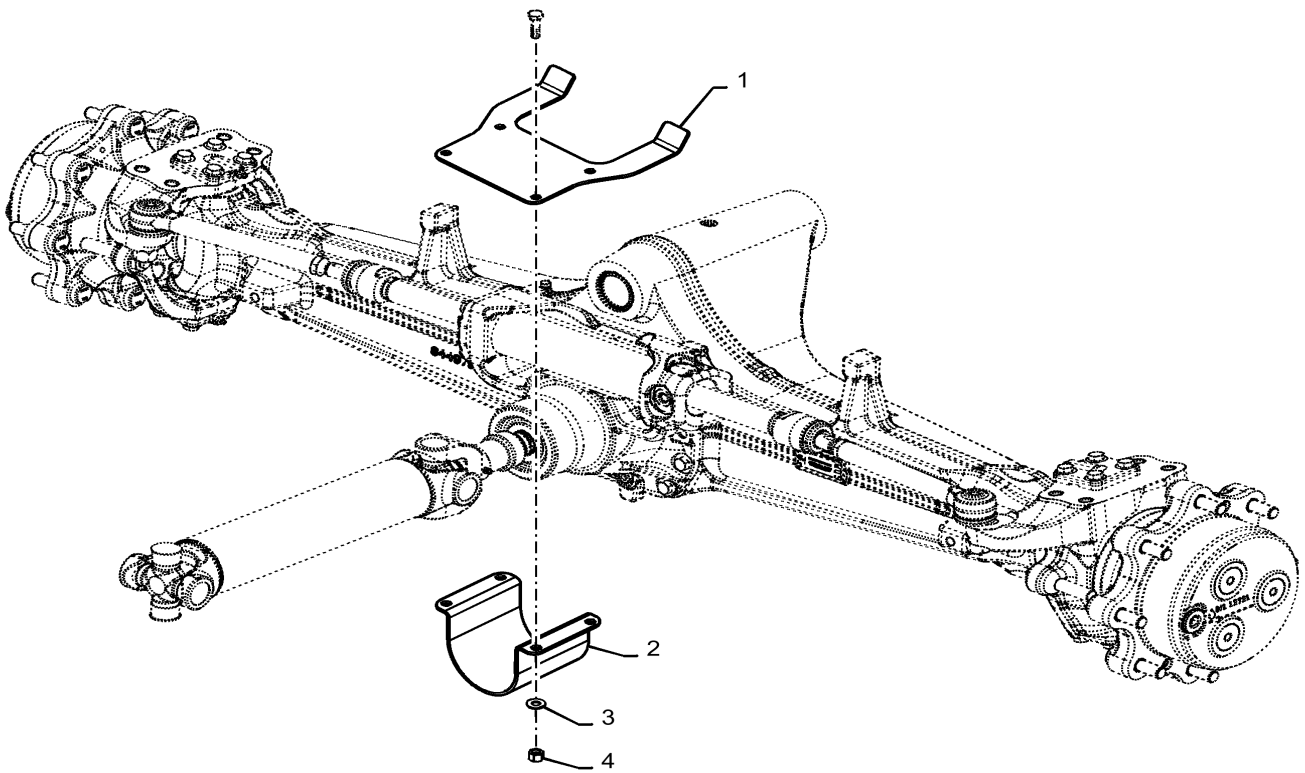
25.100.AA

03

p1

10/201
9

GUARD, FRONT AXLE, 4WD, W/ PTO



PS1121 / 13.3:1 / GRAY

FRONT AXLE DIFFERENTIAL, 4WD, W/ PTO

REF FN	PART NUMBER	YR/SN	QTY DESCRIPTION
1	84540882		1 HOUSING RH Differential
2	84540883		1 HOUSING LH Differential
3	47446841		12 BOLT Hex, M10 x 1.5 x 75mm, Class 12.9
4	84529087		2 CLUTCH DISC 49.1mm ID x 85mm OD x 1.5mm Thk Seperator
5	47593452		1 DIFFERENTIAL ASSY Differential, Forged Service Replacement, Incl 6 - 9, 14
5	84529092		1 DIFFERENTIAL ASSY Differential, Machined Service Replacement, Incl 6 - 9, 14
6	47777025		2 GEAR 18T Forged Gear, Side, Incl in 5
6	47431451		2 GEAR 18T Machined Gear, Side, Incl in 5
6	84252967		2 PLANETARY GEAR 18T Machined Gear, Side, Incl in 5
7	84268545		1 PIN 21.9mm OD x 122.9mm L Pinion Gear Shaft, Incl in 5
8	47777024		2 PINION 12T Forged Pinion Gear, Incl in 5
8	47431450		2 PINION 12T Machined Pinion Gear, Incl in 5
8	87727552		2 BEVEL PINION 12T Machined Pinion Gear, Incl in 5
9	87727553		2 THRUST WASHER 20.27mm ID x 41.75mm OD x 1.5mm Thk Plate, Incl in 5
10	87748532		2 RETAINER 9mm Dia Retainer
11	84273742		2 BOLT Hex, Lock, M8 x 1.25 x 16mm, Cl. 10.9
12	4966240		2 BEARING LOCK NUT M95 x 2, 15T
13	561201		2 TAPERED BEARING 50mm ID x 90mm OD x 21.75mm W

570N EP-LOADER LANDSCAPER - TIER 4B

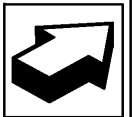
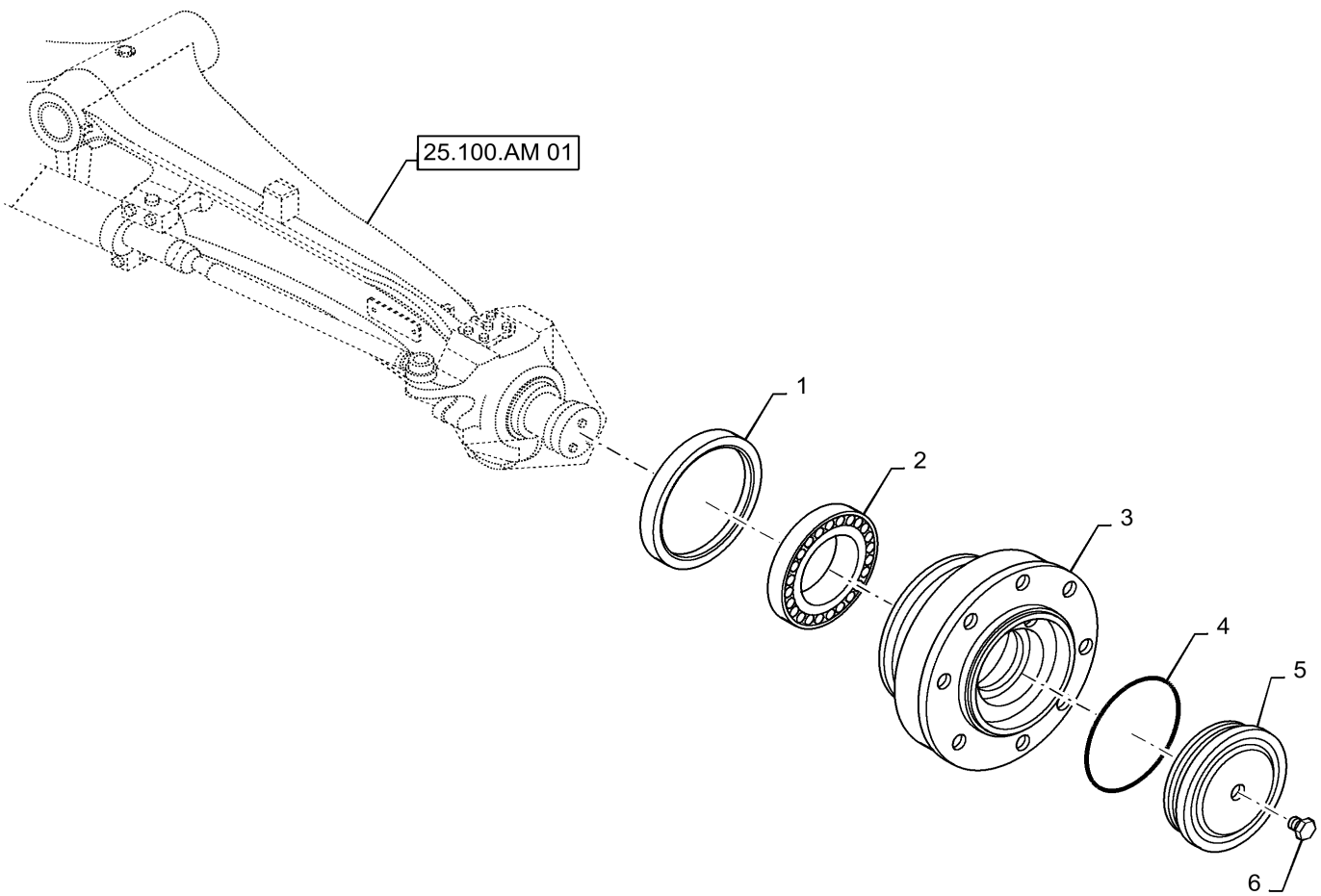
25.400.AH

01

p1

10/201
9

FRONT AXLE HUB, 2WD



27.000.00

p1

10/201
9

SECTION INDEX - REAR AXLE SYSTEM

REF FN	PART NUMBER	YR/SN	QTY	DESCRIPTION
---------------	--------------------	--------------	------------	--------------------

570N EP-LOADER LANDSCAPER - TIER 4B

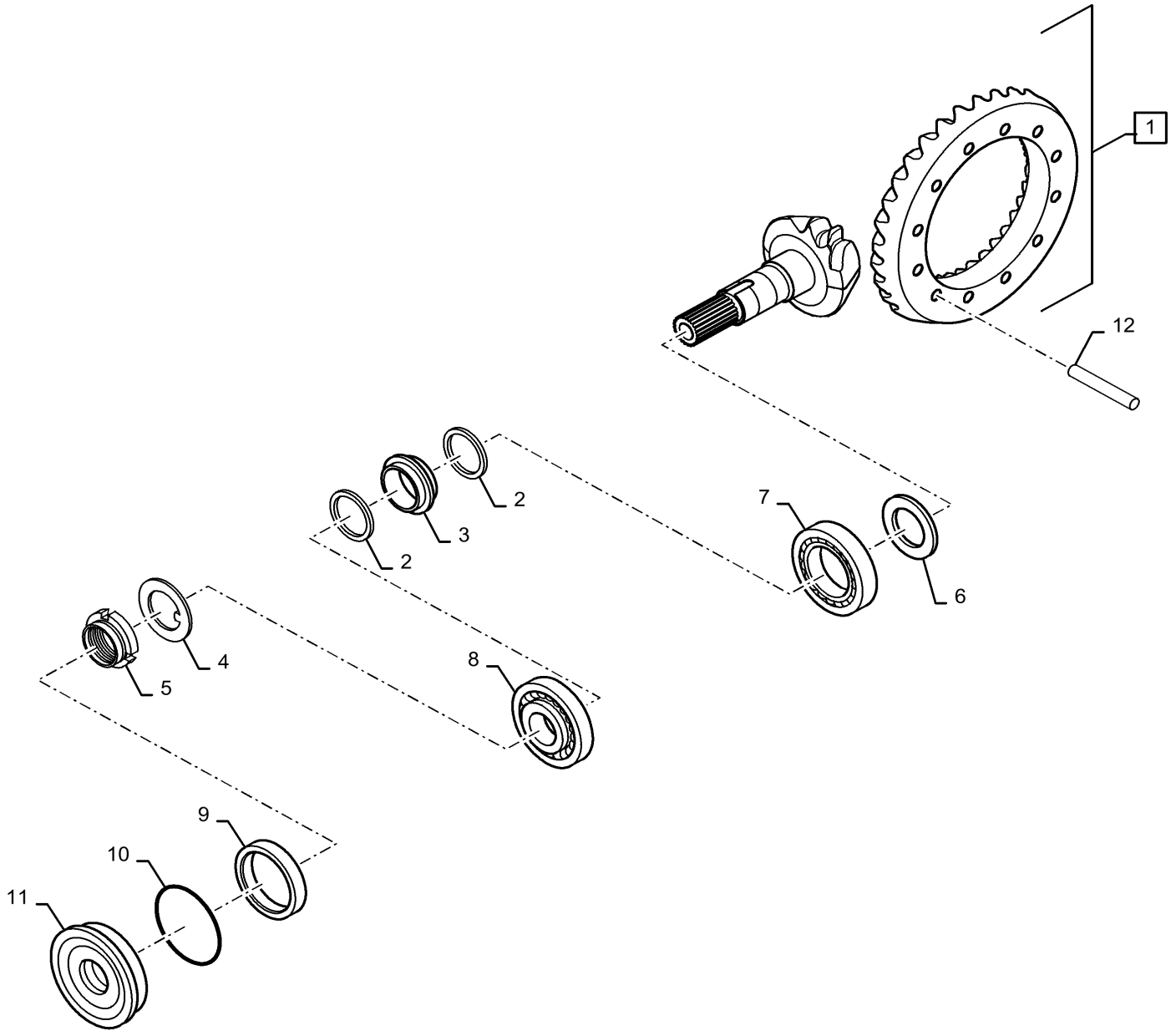
27.106.AA

01

p1

10/201
9

REAR AXLE RING & PINION, W/O PTO



REAR AXLE DIFFERENTIAL, ASSY, W/ PTO

REF FN	PART NUMBER	YR/SN	QTY DESCRIPTION
1	51662888		1 SUPPORT Assy, Complete Rear Axle Differential, W/ PTO Incl 2 - 33
2	87708394		1 SERVICE KIT Rear Axle Differential, Incl 3 - 9
3	D142898		3 PLUG M10 x 1
4	87708396		3 PIN 8mm OD x 45mm L
5	E135777		4 WASHER Thrust
6	87708397		2 AXLE PIN Differential
7	87708398		1 SPIDER Gear Rear Axle
8	87708399		1 AXLE PIN
9	87708395		2 DRIVE PLATE Rear Axle Differential
10	E135785		2 BEARING Side
11	87708401		1 SLEEVE Rear Axle
12	292207A1		4 PIN Differential
13	292208A1		4 O-RING Differential Lock Pin
14	84203708		12 FLANGE BOLT Hex, W/ Plate, M12 x 25mm
15	51618365		1 AXLE HOUSING Rear
16	87708408		1 HOUSING
17	87708409		1 CIRCLIP Rear Axle
18	87708411		1 PIN 8mm OD x 12mm L Roller
19	51612559		2 DOWEL
20	84202507		2 RING NUT M104 x 1.5
21	51618357		1 BEVEL GEAR Kit, Incl 19, 22 - 28
22	N7536		1 WASHER 41mm ID x 62mm OD x 2mm Thk
23	K261014		1 RING NUT M40 x 1.5
24	1349059C1		2 WASHER 40.5mm ID x 50mm OD x 2mm Thk
25	175957A1		1 SPACER
26	190506A1		AR SHIM 2.5mm Thk
26	190508A1		AR SHIM 2.6mm Thk
26	190509A1		AR SHIM 2.7mm Thk

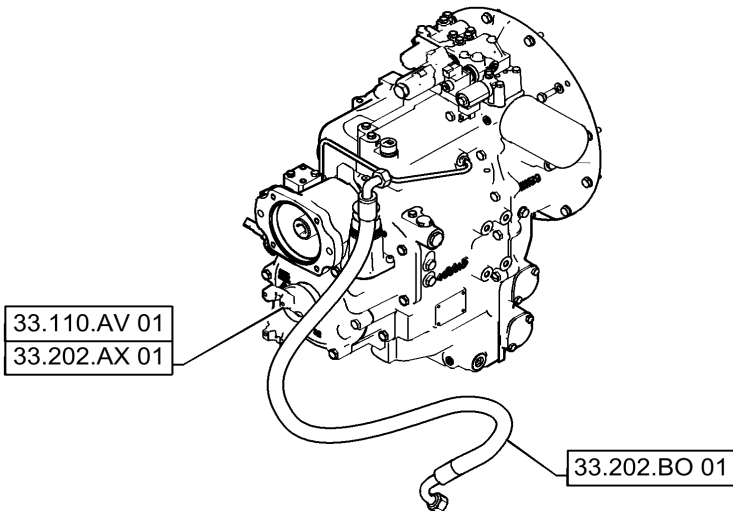
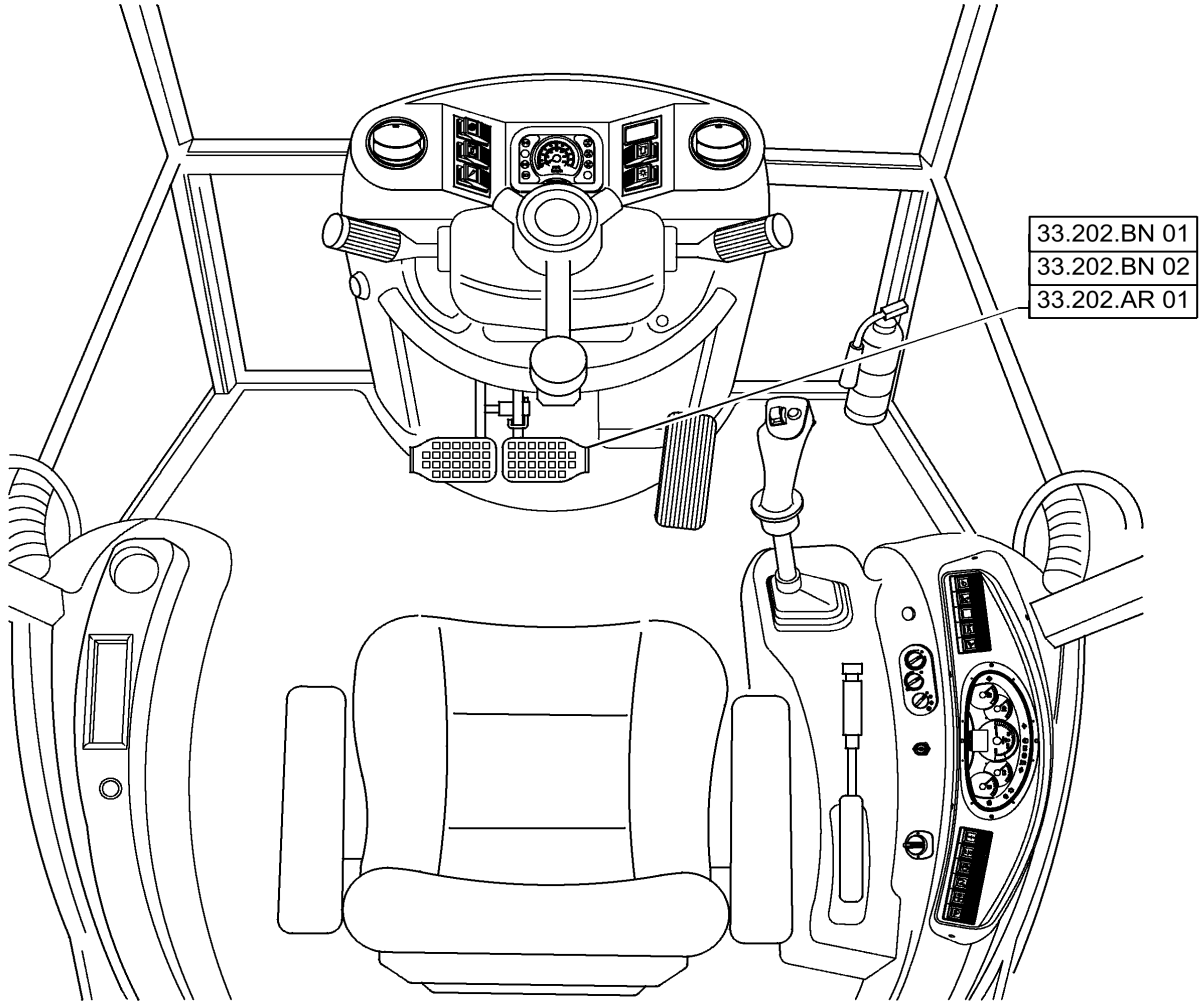
570N EP-LOADER LANDSCAPER - TIER 4B

33.000.00

p1

10/201
9

SECTION INDEX - BRAKES & CONTROLS, 4WD



SERVICE BRAKES

REF FN	PART NUMBER	YR/SN	QTY DESCRIPTION
1	87708431		1 SHAFT 734mm / 28.897" RH Half Shaft (Determine from Seat Facing Radiator)
1	87708432		1 SHAFT 629mm / 24.763" LH Half Shaft (Determine from Seat Facing Radiator)
2	87708433		2 BRAKE PLATE 5mm Thk Brake Separation Plate, 5Thick, 1 Per Side
3	87708434		4 BRAKE PLATE Brake Plate, 2 Per Side
4	87708435		2 BRAKE PLATE 8mm Thk Brake Separation Plate, 8 Thick, 1 Per Side
5	139294A1		6 GUIDE Pin
6	87708436		2 BRAKE CYLINDER Brake Piston, 1 Per Side
7	87708438		2 O-RING O-Ring, 1 Per Side
8	371144A1		2 O-RING Piston, External, 1 Per Side
9	87708440		2 PISTON Brake Piston, 1 Per Side
10	D142890		2 DOWEL Pin
11	371145A1		2 O-RING Piston Carrier, 1 Per Side
12	87708441		6 BRAKE ADJUSTER 0.6mm Kit, Rear Axle Self Adjust; 0.6 mm
13	87708442		6 CIRCLIP Lock Ring

570N EP-LOADER LANDSCAPER - TIER 4B

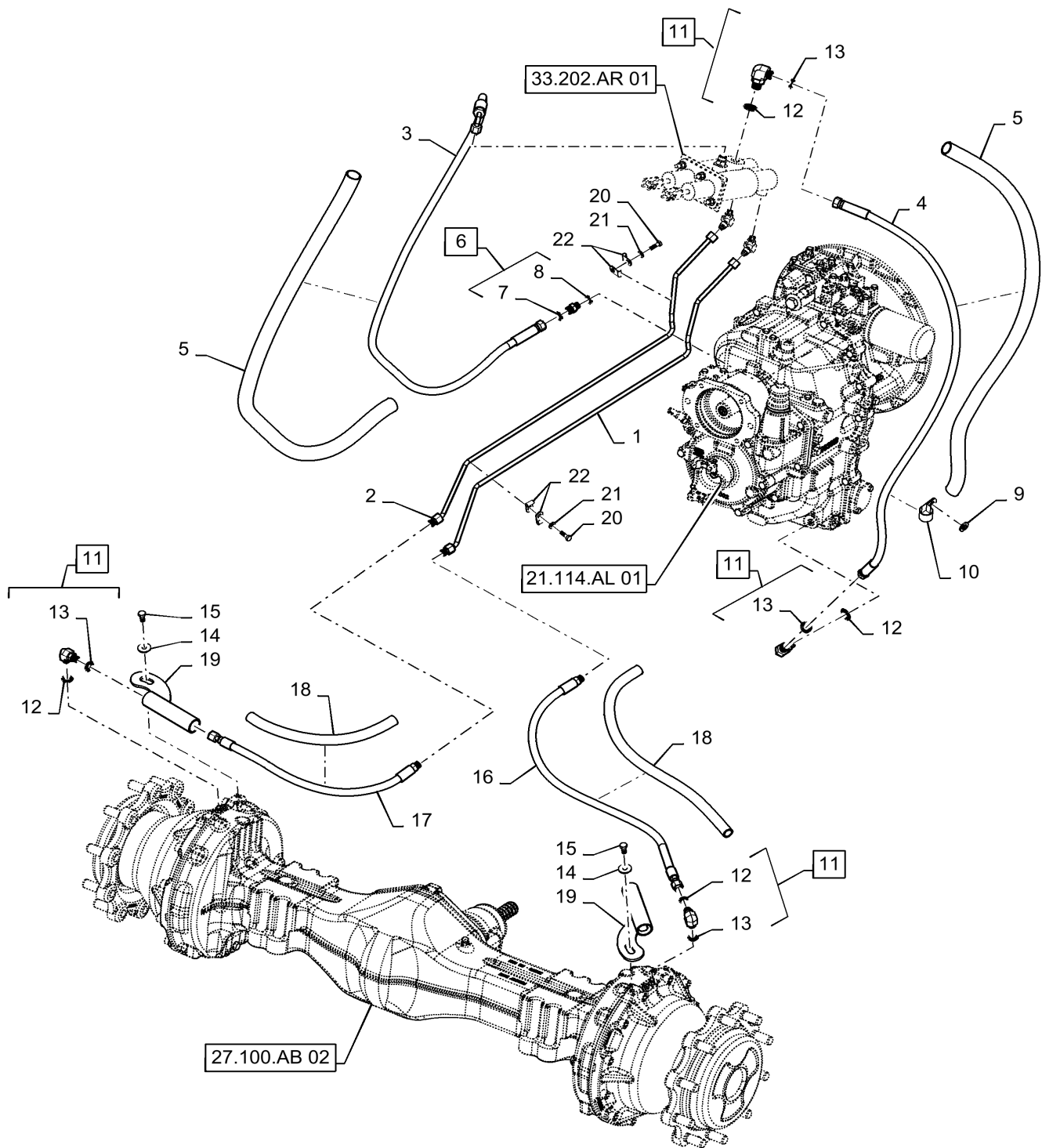
33.202.BO

01

p2

10/201
9

BRAKE LINE, 4WD



HYDRAULIC SYSTEM LINES AND FITTINGS, 2WD - W/PARKER PUMP

REF FN	PART NUMBER	YR/SN	QTY DESCRIPTION
1	238-5228		1 O-RING 0.139" Thk x 2.234" ID, -228, CI 5, 75 Duro
2	514-832		4 BOLT Hex, M12 x 1.25 x 35mm, CI 8.8, Full Thd
3	829-1410		3 NUT M10 x 1.5, CI 10.9
4	864-12030		3 HEX SOC SCREW M12 x 30mm, CI 8.8
5	43138		4 BOLT 10mm Dia x 20mm L
6	140028		2 WASHER 10.2mm ID x 18.1mm OD x 2.2mm Thk
7	164910		1 90 ELBOW 7/8" - 14 JIC x 7/8" - 14 ORB
8	175156		1 O-RING 0.103" Thk x 4.987" ID, -159, CI 5, 75 Duro
9	507586		1 HOSE CLAMP 20.6mm - 44.4mm, Worm Gear
10	47603859		1 HYDRAULIC HOSE 16mm ID x 1834mm L Hydraulic Cooler Supply
11	47603866		1 HYDRAULIC HOSE 16mm ID x 1560mm Hydraulic Cooler Outlet to Filter
12	47603890		1 HYDRAULIC HOSE 25mm ID x 705mm Main Hydraulic Return
13	47603901		1 HOSE PROTECTION 34mm ID x 39.5mm OD x 400mm Guard
14	1 84248499		1 HYDRAULIC OIL FILTER Complete
15	84292224		1 WIRE HARNESS Hydraulic Filter Restriction Jumper
16	84329867		1 HOSE PROTECTION 26.87mm ID x 590mm L
17	86504080		1 HYD CONNECTOR 1 5/16"-12, 37 Degree x 1 5/8"-12, O-Ring
18	86512426		1 CARRIAGE BOLT Sq Nk, M10 x 50mm, CI 8.8
19	86625274		2 TEE 37 Degree, 1 1/16"-12x1 1/16"-12, Fem Sw Runx7/8"-14 Br

(1) See Figure 35.300.AN (01) For Service Parts

570N EP-LOADER LANDSCAPER - TIER 4B

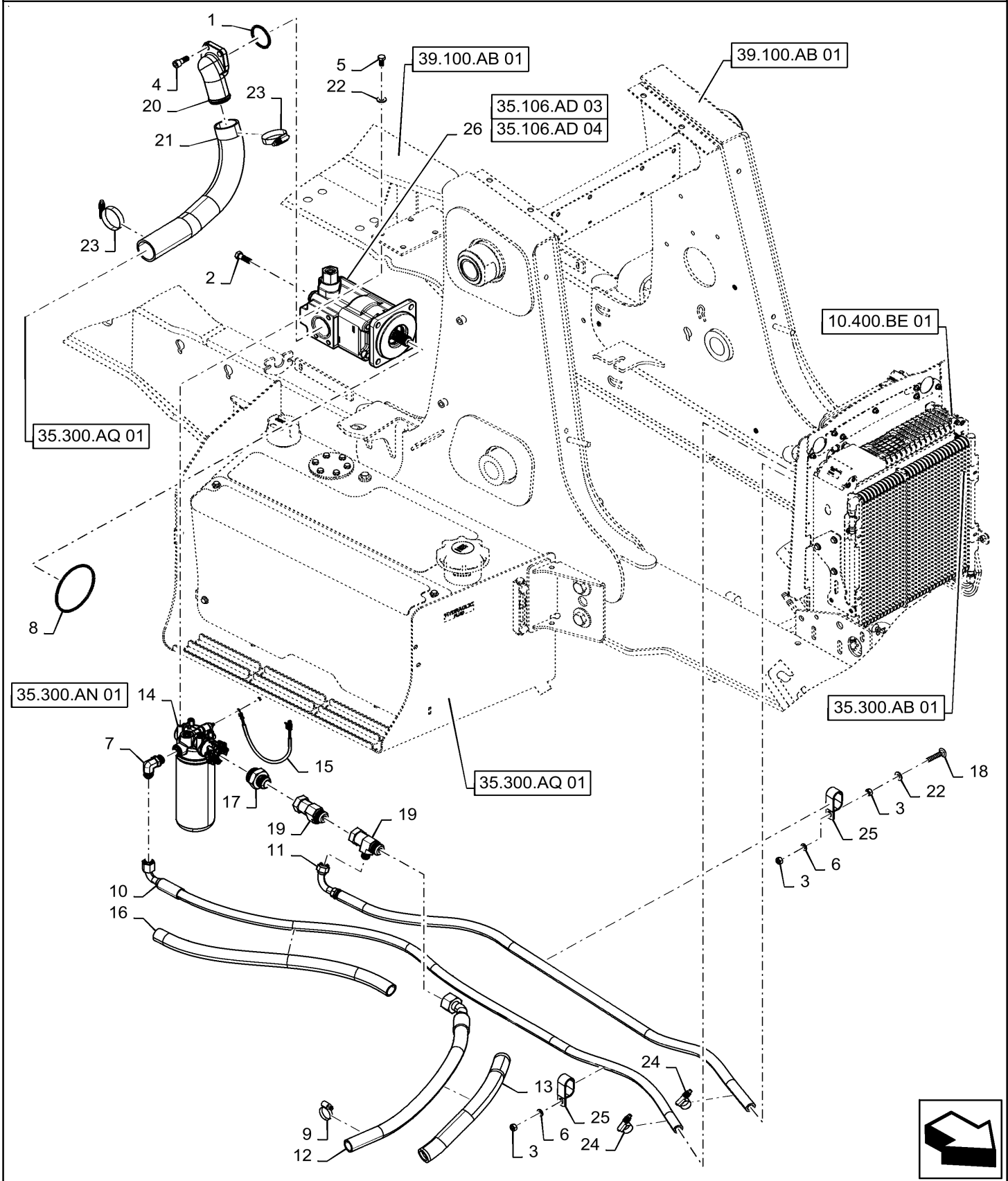
35.104.AA

01a

p1

10/201
9

HYDRAULIC SYSTEM LINES AND FITTINGS, 4WD - W/SHIMADZU PUMP - START APR 2016



35.104.AA

03

p1

10/201
9**PUMP, LOADER COUPLER VALVE, HYD. LINE - W/PARKER PUMP**

REF FN	PART NUMBER	YR/SN	QTY DESCRIPTION
1	163335		1 TEE 9/16" - 18 ORB x 9/16" - 18 JIC x 9/16" - 18 JIC Incl 2
2	9617873		1 O-RING 0.078" Thk x 0.468" ID, -906, CI 6, 90 Duro
3	84418288		1 HOSE ASSY. 10mm ID x 650mm L Pump To Coupler, Pressure
4	84418712		1 HOSE ASSY. 6.3mm ID x 595mm L Pump To Coupler, Load Sense
5	86513024		1 TEE 3/4" - 16 ORB x 3/4" - 16 JIC x 3/4" - 16 JIC Incl 6
6	128825		1 O-RING 0.087" Thk x 0.644" ID, -908, CI 6, 90 Duro

570N EP-LOADER LANDSCAPER - TIER 4B

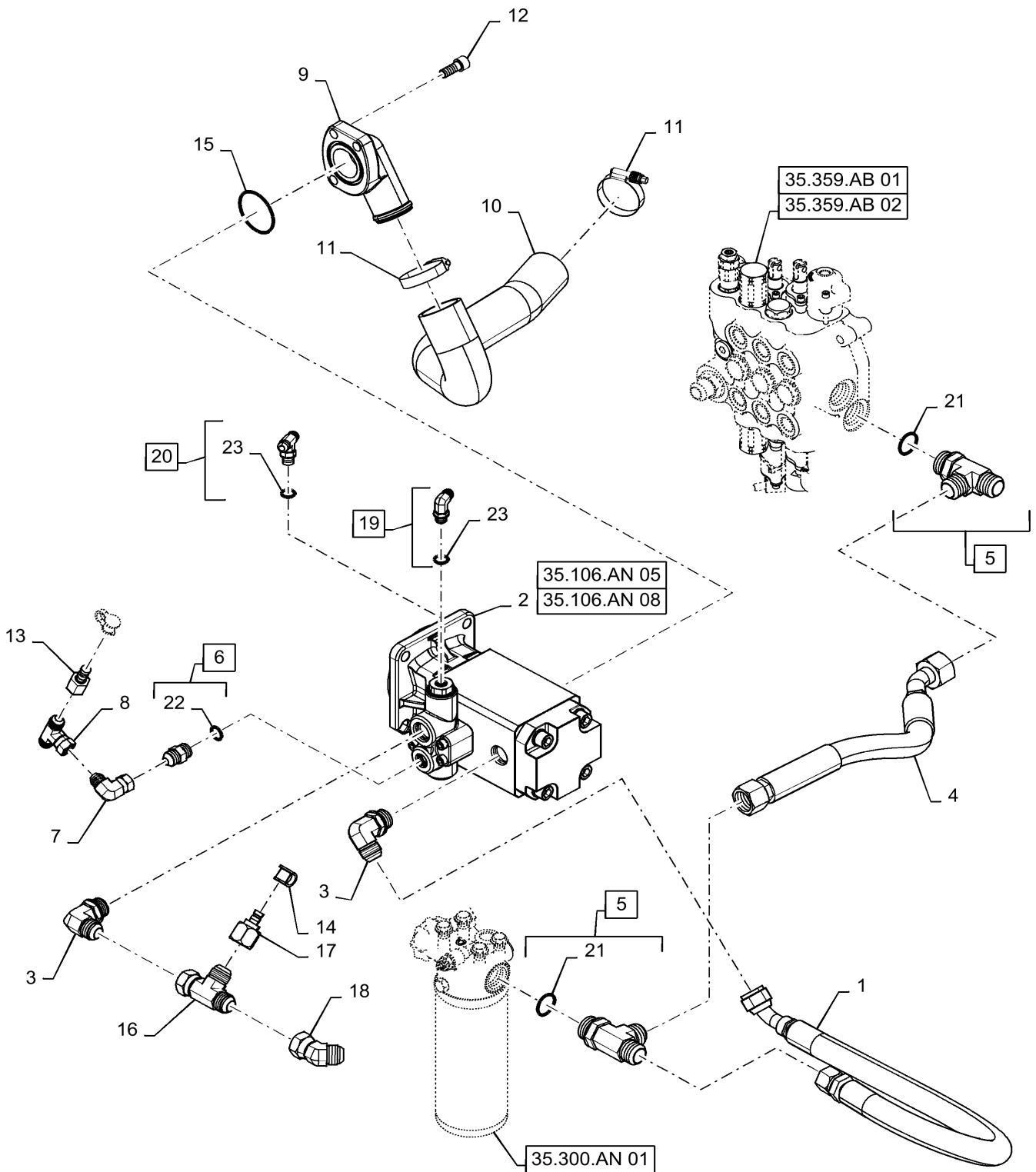
35.106.AD

02a

p1

10/201
9

PTO READY PUMP - SHIMADZU



PTO MOTOR & HOSES

REF	FN	PART NUMBER	YR/SN	QTY DESCRIPTION
1	1	47535367		1 HYDRAULIC MOTOR PTO
2		330344		2 45 ELBOW 1-1/16" - 12 JIC x 1-1/16" - 12 ORB Incl 3
3		167266		2 O-RING 0.116" Thk x 0.924" ID, -912, CI 6, 90 Duro
4		265978		1 TEE 1-1/16" - 12 JIC x 1-1/16" - 12 JIC x 1-1/16" - 12 JIC
5		87655043		8 WASHER M12, 13.65mm ID x 24.90mm OD x 3.20mm, HT Boron, ZNM
6		350460		4 BOLT Hex, M12 x 1.75 x 75mm, CI 8.8
7		337475		4 NUT M12, CI 10
8		9618946		1 TEE 37 Degree, 1 5/16"-12 x 1 5/16"-12, Fem Sw Run
9		87612750		1 90 ELBOW 3/4" JIC x 1-1/16" - 12 ORB Incl 10
10		167266		1 O-RING 0.116" Thk x 0.924" ID, -912, CI 6, 90 Duro
11		47569725		1 CHECK VALVE Inline
12		322896		1 HYD CONNECTOR 1-1/16" - 12 ORB x 1-1/16" - 12 JIC Incl 13
13		167266		1 O-RING 0.116" Thk x 0.924" ID, -912, CI 6, 90 Duro
14		47615309		1 BRACKET PTO Motor
15		47616541		1 HYDRAULIC HOSE 19mm ID x 620mm L, SAE 100R16 Valve To Flow Control Valve
16		47616714		1 HYDRAULIC HOSE 19mm ID x 525mm L, SAE 100R6 Flow Control To Loader Valve Return
17		47616741		1 HYDRAULIC HOSE 19mm ID x 565mm L, SAE 100R6 Flow Control To Loader Valve Return
18		47611910		1 SEAL Kit, Services Ref 1

(1) See Fig 35.106.AN (03) For Service Parts

570N EP-LOADER LANDSCAPER - TIER 4B

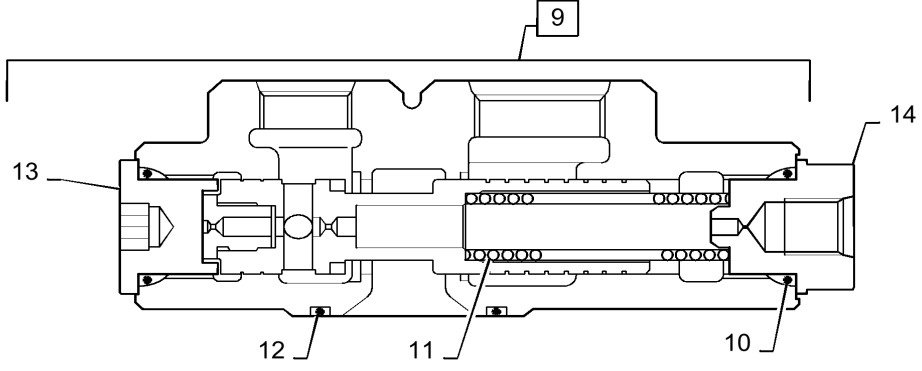
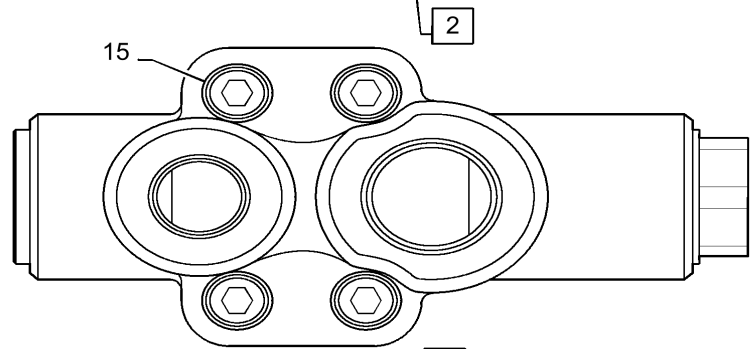
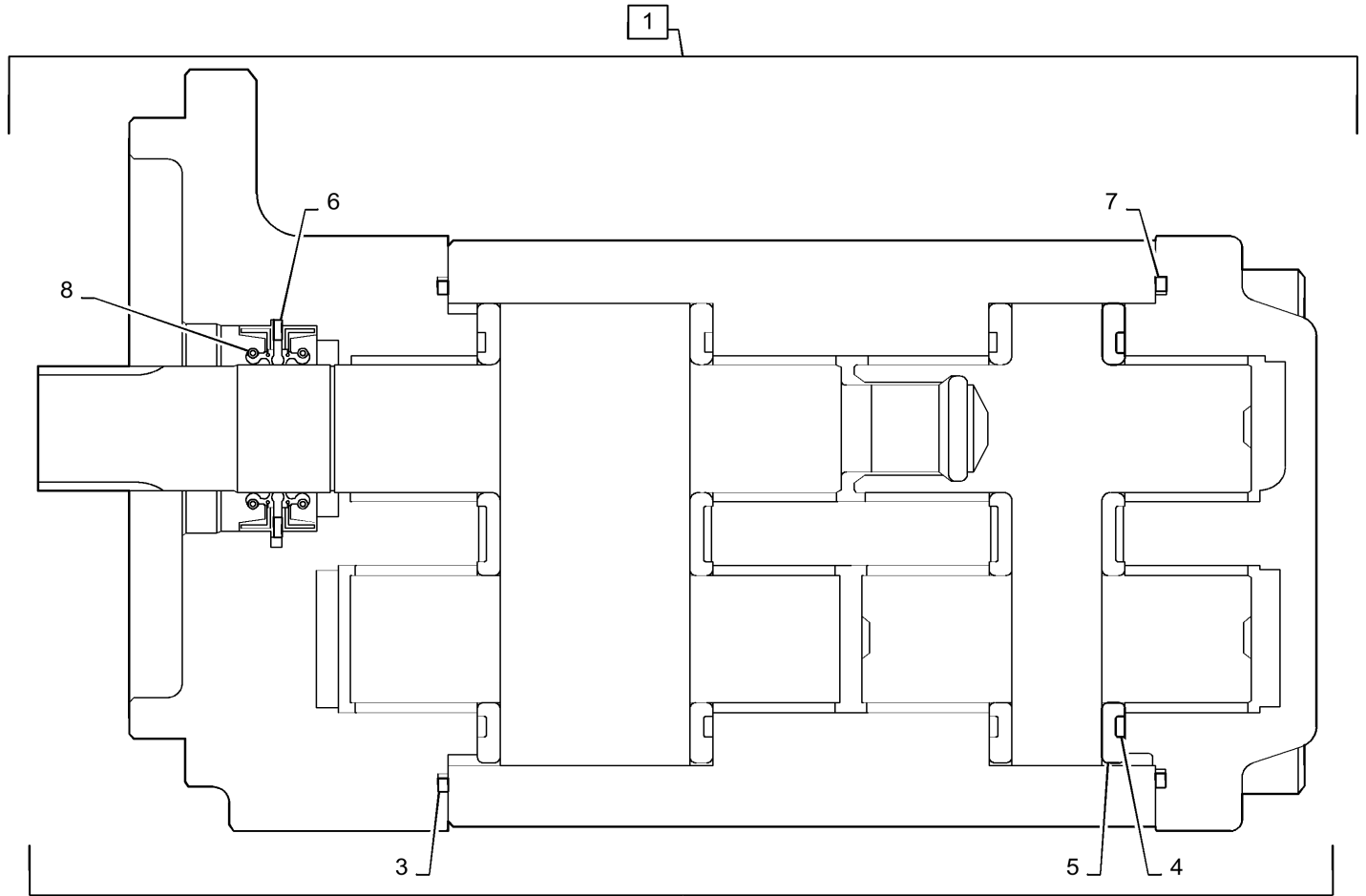
35.106.AN

06

p1

10/201
9

PTO HYDRAULIC PUMP, TANDEM - SHIMADZU



3 POINT HITCH, 4 SPOOL VALVE, SINGLE TILT, WITH HOLDING VALVE

REF FN	PART NUMBER	YR/SN	QTY DESCRIPTION
17	86512938		2 90 ELBOW 90 Degree, 37 Degree 3/4"-16 x 9/16"-18 ORB Incl 18
18	9617873		1 O-RING 0.078" Thk x 0.468" ID, -906, CI 6, 90 Duro Incl in 17
19	84384		2 HYD CONNECTOR 9/16"-18, 37 Degree x 7/16"-20, O-Ring Incl 20
20	165202		1 O-RING 0.072" Thk x 0.351" ID, -904, CI 6, 90 Duro Incl in 19
21	86629586		1 90 ELBOW 9/16" - 18 JIC x 9/16" - 18 Fem Sw
22	43138		3 BOLT 10mm Dia x 20mm L
23	43139		4 BOLT M10 x 25mm
24	86500689		4 NUT M10 x 1.5, CI 10
25	405842A2		1 HOSE ASSY. 9.53mm ID x 950mm L Lift, Head End
26	87561386		1 HOSE ASSY. 10mm ID x 855mm L, SAE 100R17 Valve To Lift Cylinder
27	405512A1		1 ROCKER SWITCH 3 Point Hitch Control
28	84477480		1 HOSE ASSY. 12.5mm ID x 695mm L, SAE 100R16 Return Holding Valve To Filter
29	428250A1		1 VALVE, PRESSURE RELI Incl in 1

570N EP-LOADER LANDSCAPER - TIER 4B

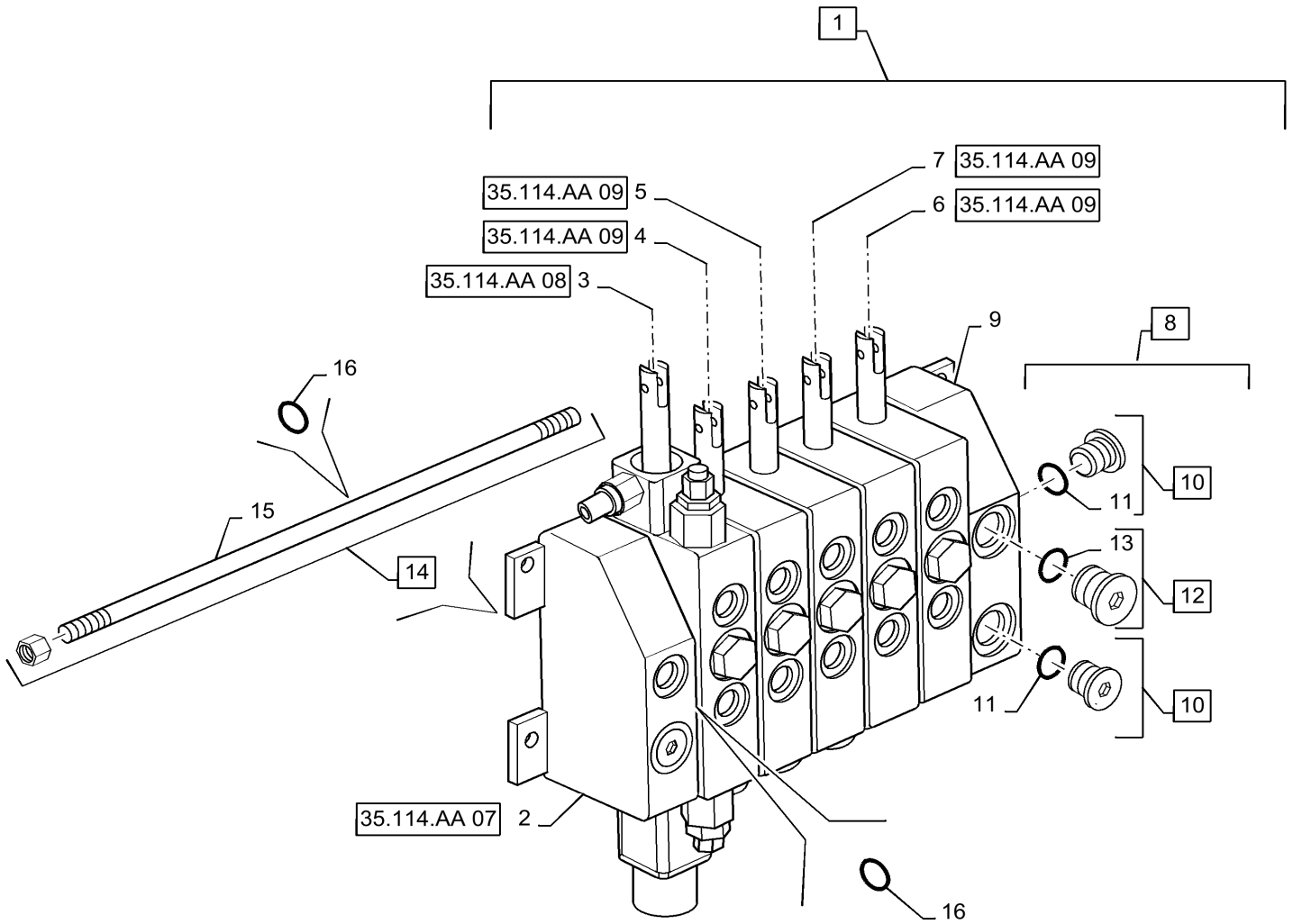
35.114.AA

06

p1

10/201
9

3 POINT HITCH, 5 SPOOL VALVE ASSY



35.114.AF

01

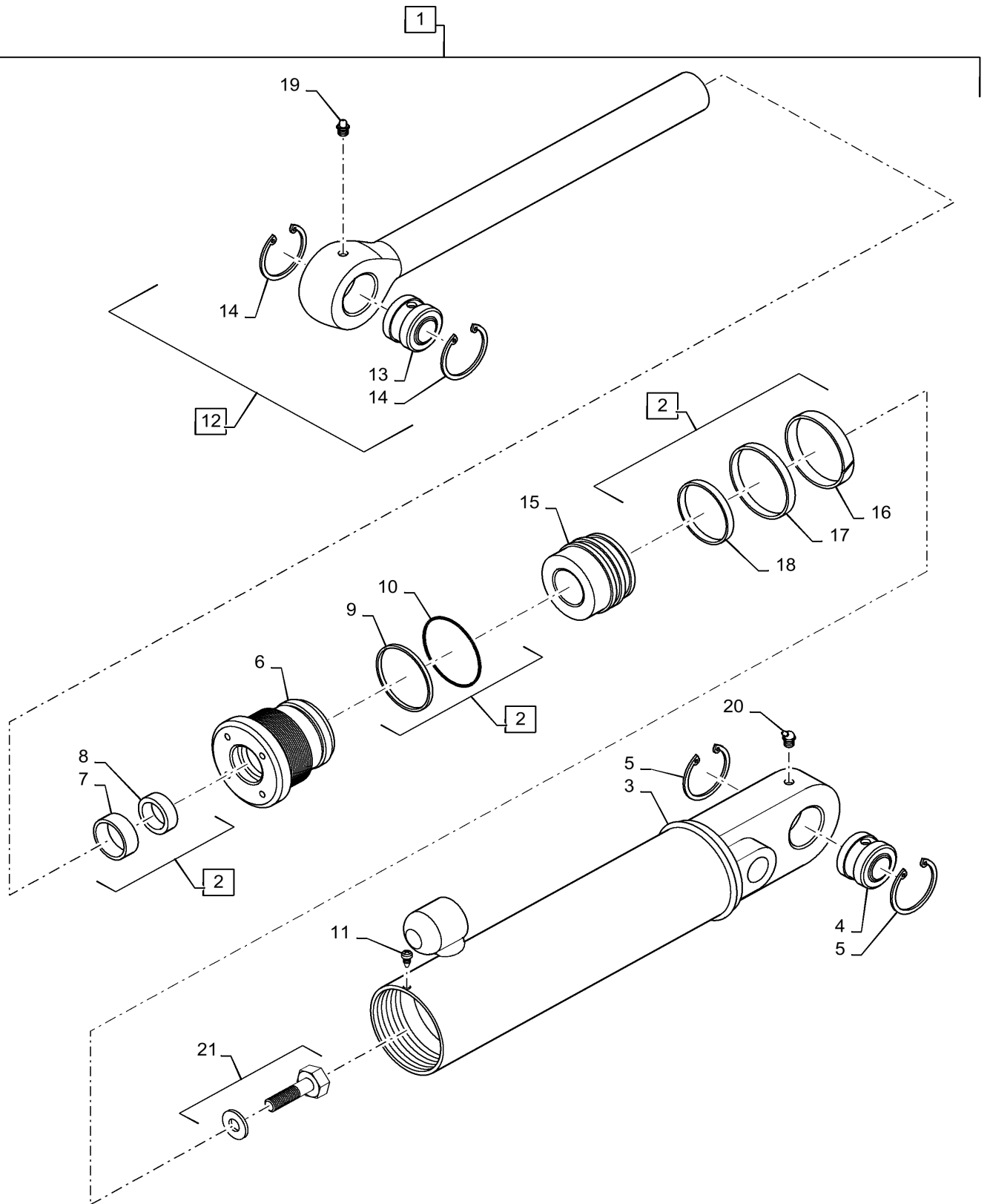
p1

10/201
9**3 POINT HITCH HYDRAULIC LINES**

REF FN	PART NUMBER	YR/SN	QTY DESCRIPTION
1	87310473		1 HOSE ASSY. 19.05mm ID x 740mm L Loader Valve To Flow Control Valve
2	L18331		3 CABLE TIE 375.9mm L, Nylon, Black Nylon
3	47612033		1 HOSE 12.5mm ID x 1080mm L, SAE 100R6 Outlet Valve To Forward Control Valve
4	L11541		4 CABLE TIE 203.2mm L, Nylon Black Nylon
5	86982083		1 HOSE ASSY. 12.5mm ID x 1100mm L Flow Control Valve To Hitch Valve
6	128817		2 HYD CONNECTOR 3/4" - 16 ORB x 9/16" - 18 JIC Incl 7
7	128825		2 O-RING 0.087" Thk x 0.644" ID, -908, CI 6, 90 Duro Incl in 6
8	305342A1		1 STRAP 450mm L Tie
9	87682091		1 FOAM INSULATION Pipe
10	405837A3		1 HOSE ASSY. 6.35mm ID x 1450mm L Tilt Rod
11	76347		2 ELBOW 90 Degree, 9/16" - 18 JIC x 3/4" - 16 ORB Incl 12
12	128825		2 O-RING 0.087" Thk x 0.644" ID, -908, CI 6, 90 Duro Incl in 11
13	86982482		1 CYLINDER ASSY. Double Acting, 31.8mm Rod, 160mm Stroke Tilt
14	405838A3		1 HOSE ASSY. 6.35mm ID x 1630mm L Head End
15	405839A2		1 HOSE ASSY. 6.35mm ID x 1225mm L Pitch Rod End
16	86512937		2 ELBOW 90 Degree, 9/16"-18, 37 Degree x 9/16"-18, O-Ring Incl 17
17	167269		2 O-RING 0.097" Thk x 0.755" ID, -910, CI 6, 90 Duro Incl in 16
18	86981925		2 RESTRICTOR 1/8 inch Orifice

570N EP-LOADER LANDSCAPER - TIER 4B

3 POINT HITCH, PITCH CYLINDER



35.300.AN

01

p1

10/201
9**HYDRAULIC OIL FILTER ASSY**

REF FN	PART NUMBER	YR/SN	QTY DESCRIPTION
1	47667947		1 HYDRAULIC OIL FILTER Assembly, Incl 2 - 4
1	47833568		1 HYDRAULIC OIL FILTER 93,8mm OD x 309,6mm L Assembly, Incl 2 - 4
2	NSS		1 NOT SOLD SEPARAT Filer Base, Incl in 1
3	84274694		1 WEAR RING 3.45" ID x 3.94" OD x 0.05" Thk Filter Sealing
4	47668040		1 HYDRAULIC OIL FILTER Spin-on
4	47833556		1 HYDRAULIC OIL FILTER Spin-on, M87 x 2.5, 98.8mm OD x 239.8mm L Spin-on
5	47597918		1 PRESSURE SWITCH Hydraulic Filter Restriction

570N EP-LOADER LANDSCAPER - TIER 4B

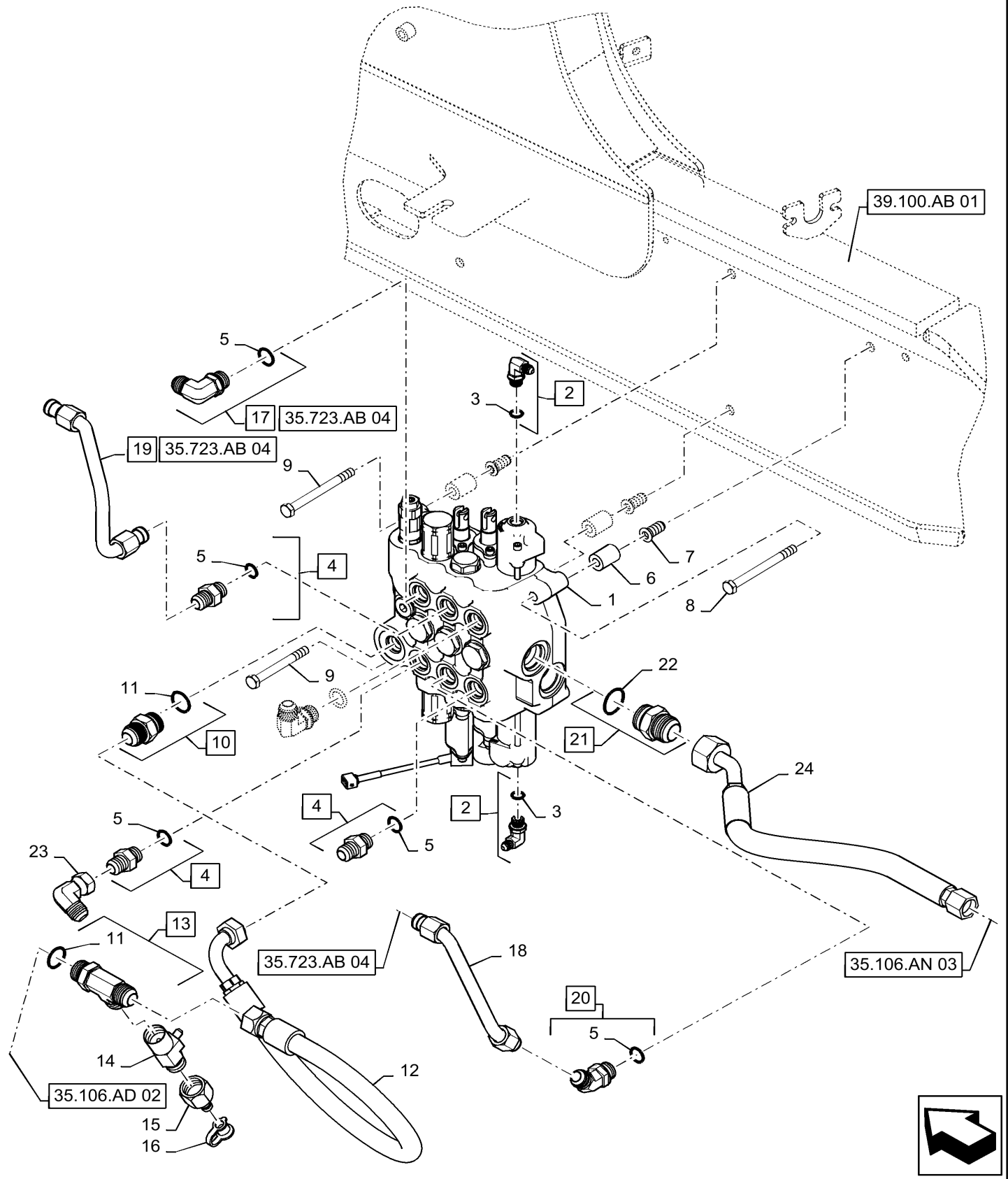
35.359.AB

02

p2

10/201
9

LOADER CONTROL VALVE, 3 SPOOL - W/PARKER PUMP



35.359.AB

04

p1

10/201
9

LOADER VALVE GUARD

REF FN	PART NUMBER	YR/SN	QTY DESCRIPTION
1	84144410		1 GUARD Loader Valve
2	87655046		2 SPECIAL WASHER 10.65mm ID x 23mm OD x 2.2mm Thk
3	614-10025		2 BOLT Hex, M10 x 1.5 x 25mm, Cl 8.8

570N EP-LOADER LANDSCAPER - TIER 4B

35.359.AB

09

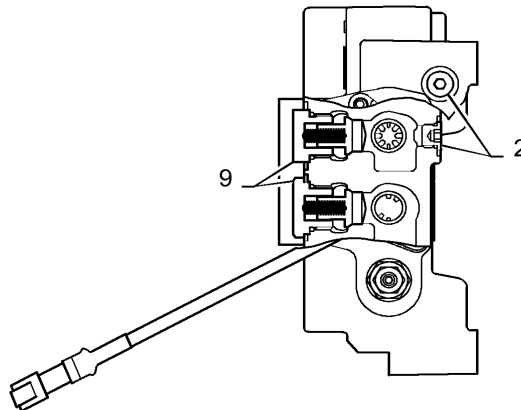
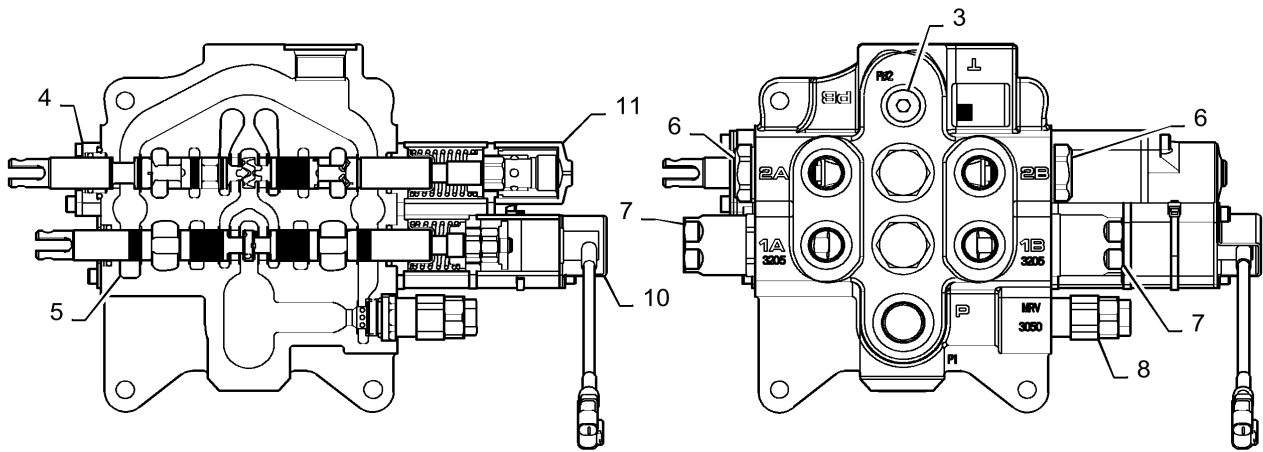
p1

10/201
9

LOADER CONTROL VALVE, 2 SPOOL



1



35.525.AI

01

p1

10/201
9**FRONT LOADER COUPLER VALVE MOUNTING**

REF FN	PART NUMBER	YR/SN	QTY DESCRIPTION
1	87435909		1 SOLENOID VALVE 4W, 2P Hydraulic, Single
2	265235		1 HYD CONNECTOR 7/16" - 20 ORB x 7/16" - 20 JIC Incl 3
3	165202		1 O-RING 0.072" Thk x 0.351" ID, -904, CI 6, 90 Duro Incl in 2
4	76344		1 90 ELBOW 9/16" - 18 JIC x 9/16" - 18 ORB Incl 5
4	76344		2 90 ELBOW 9/16" - 18 JIC x 9/16" - 18 ORB Used on Shimadzu Pump, Incl 5
5	9617873		1 O-RING 0.078" Thk x 0.468" ID, -906, CI 6, 90 Duro Incl in 4
6	76350		2 HYD CONNECTOR 9/16" - 18 ORB x 9/16" - 18 JIC Incl 7
6	76350		1 HYD CONNECTOR 9/16" - 18 ORB x 9/16" - 18 JIC Used on Shimadzu Pump, Incl 7
7	9617873		2 O-RING 0.078" Thk x 0.468" ID, -906, CI 6, 90 Duro Incl in 6
8	120070		2 BOLT Hex, M10 x 1.5 x 60mm, CI 8.8
9	47765		1 HYD CONNECTOR 1/2"-20, 37° x 1/2"-20, O-Ring Incl 10
10	129270		1 O-RING 0.072" Thk x 0.414" ID, -905, CI 6, 90 Duro Incl in 9
11	84275116		1 BRACKET Coupler Valve
12	47608227		1 HYDRAULIC HOSE 10mm ID x 310mm L Coupler To Return
12	47933363		1 HYDRAULIC HOSE 10mm ID, 387mm L, SAE100R6 Coupler To Return, Both Ends are 90 deg, Used on Shimadzu Pump
12	48197263		1 HYDRAULIC HOSE Coupler To Return, Both Ends are 90 deg, Used on Shimadzu Pump
13	86500689		2 NUT M10 x 1.5, CI 10

570N EP-LOADER LANDSCAPER - TIER 4B

35.600.BH

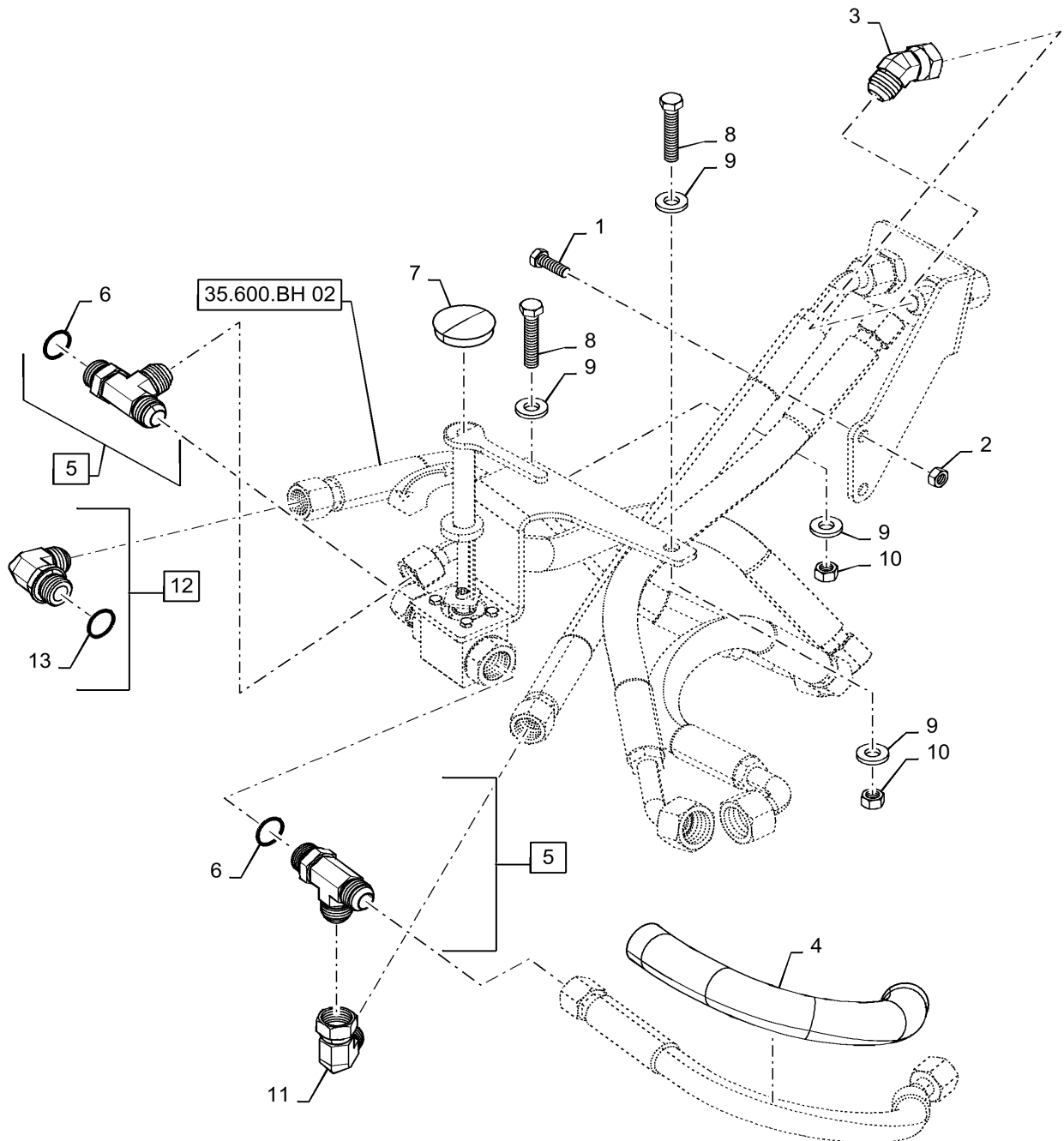
03

p1

10/201
9

HIGH FLOW, AUXILIARY, W/ PTO

14



HYDRAULIC LINES, LOADER LIFT CYLINDER

REF	FN	PART NUMBER	YR/SN	QTY	DESCRIPTION
1	1	87384876		2	LIFT CYLINDER Double Acting, 44.4mm Rod, 766mm Stroke 82.6mm x 44.4mm CE Gray
1		87384876R		2	REMAN-HYD CYLINDER Double Acting, 44.4mm Rod, 766mm Stroke 82.6mm x 44.4mm
1		87384876C		2	CORE-HYD CYLINDER Double Acting, 44.4mm Rod, 766mm Stroke Return Number
2		164910		4	90 ELBOW 7/8" - 14 JIC x 7/8" - 14 ORB Incl 3
3		167269		4	O-RING 0.097" Thk x 0.755" ID, -910, CI 6, 90 Duro Used On Ref 2
4		378172A1		2	HOSE ASSY. 9.53mm ID x 720mm L Lift Cylinder Head End
4		51446952		2	HYDRAULIC HOSE Lift Cylinder Head End
5		D142787		2	SPACER 19mm ID x 80mm L Tube Support
6		378173A1		2	HOSE ASSY. 9.53mm ID x 1090mm L Lift Cylinder Rod End
6		51446953		2	HYDRAULIC HOSE Lift Cylinder Rod End
7		86625034		2	HOSE CLAMP 90.4mm - 114.3mm, Worm Gear
8		219-55		2	LUBE NIPPLE 90 Degree Elbow, 1/8" - 27 NPTF
9		L18331		2	CABLE TIE 375.9mm L, Nylon, Black

(1) See Fig 35.701.CB (01) For Service Parts

570N EP-LOADER LANDSCAPER - TIER 4B

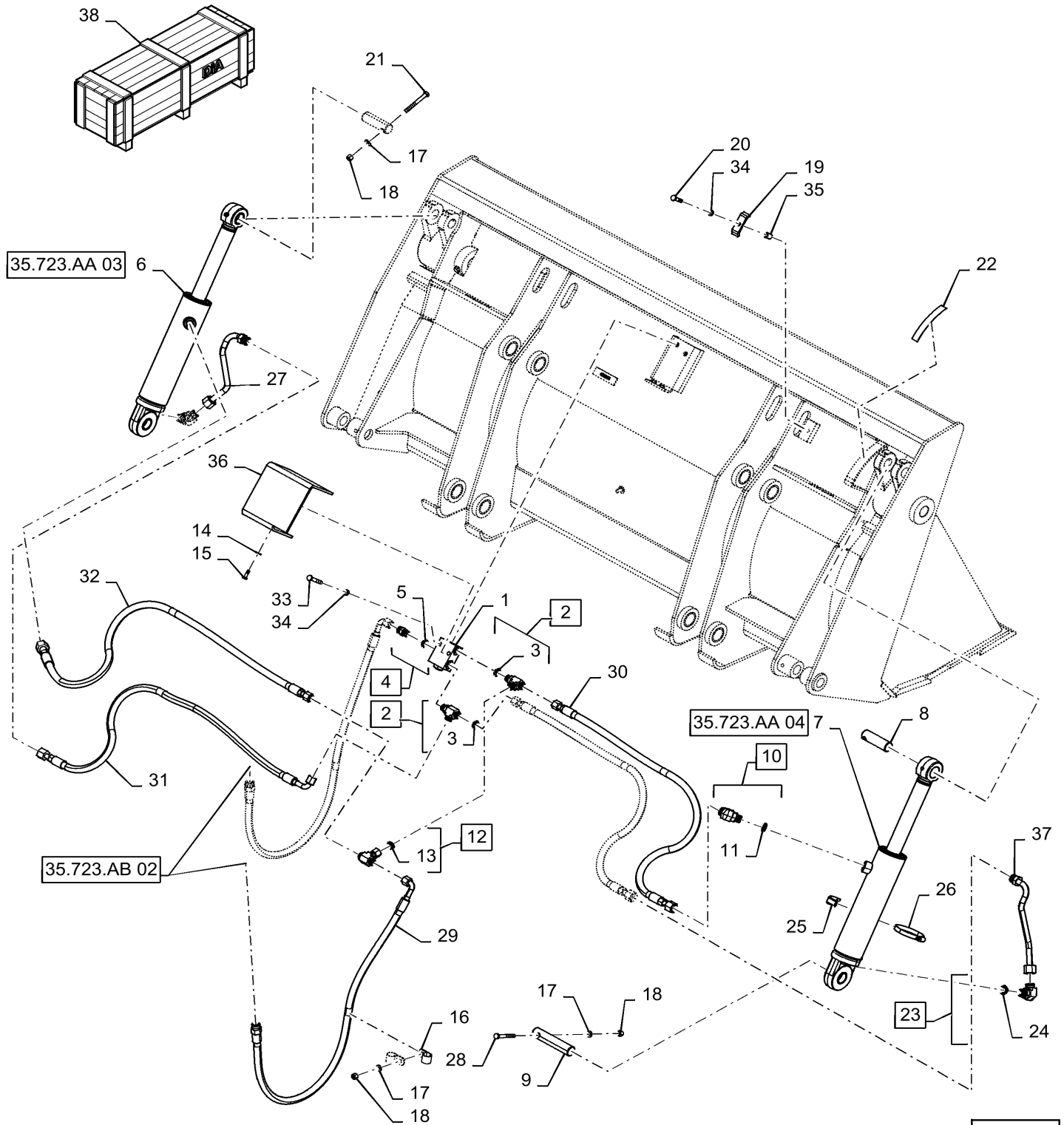
35.723.AA

02

p2

10/201
9

82", 4 IN 1 BUCKET HYDRAULIC LINES



35.723.AB

03

p1

10/201
9**2 SPOOL, LOADER HYDRAULIC LINES**

REF FN	PART NUMBER	YR/SN	QTY DESCRIPTION
1	47609509		1 HYD TUBE LH Lift, Port A
2	47609529		1 HYD TUBE LH Lift, Port B
3	47609535		1 HYD TUBE Tilt, Port B
4	47609540		1 HYD TUBE Tilt, Port A
5	47609487		1 HYD TUBE RH Lift, Port B
6	47609491		1 HYD TUBE RH Lift, Port A
7	D138055		6 CLAMP 10,3mm ID x 58,4mm L Tube
8	120303A1		5 SPACER 11mm ID x 15.82mm OD x 15mm Thk
9	325829		5 BOLT Hex, M10 x 1.5 x 45mm, Cl 8.8
10	87655046		5 SPECIAL WASHER 10.65mm ID x 23mm OD x 2.2mm Thk
11	140028		5 WASHER 10.2mm ID x 18.1mm OD x 2.2mm Thk
12	86500689		5 NUT M10 x 1.5, Cl 10
13	86512960		1 ELBOW 45 Degree, 7/8"-14, 37 Degree x 7/8"-14, 37 Degree Fem Sw

570N EP-LOADER LANDSCAPER - TIER 4B

CLICK HERE TO **DOWNLOAD** THE COMPLETE MANUAL

- Thank you very much for reading the preview of the manual.
- You can download the complete manual from: www.heydownloads.com by clicking the link below



- Please note: If there is no response to CLICKING the link, please download this PDF first and then click on it.

CLICK HERE TO **DOWNLOAD** THE COMPLETE MANUAL

SECTION INDEX

HITCHES, DRAWBARS & IMPLEMENT COUPLINGS

37.000.00		SECTION INDEX - HITCHES, DRAWBARS AND IMPLEMENT COUPLINGS
37.100.AA	01	DRAWBAR HITCH
37.100.AC	01	CONTROL VALVE ASSY, LIFT CYLINDER
37.108.AD	01	3 POINT HITCH CONTROLS AND MOUNTING PARTS
37.110.AP	01	3 POINT HITCH VALVE COVER, CANOPY ONLY
37.110.AP	02	3 POINT HITCH VALVE COVER, CAB ONLY
37.110.AP	03	3 POINT HITCH VALVE COVER, CAB ONLY - SPECIAL FEATURE
37.120.AX	01	3 POINT HITCH FRAME

3 POINT HITCH CONTROLS AND MOUNTING PARTS

REF FN	PART NUMBER	YR/SN	QTY DESCRIPTION
27	399756A1		1 PLATE Rear Cover
28	833-40406		10 NUT M6, U
29	86981721		4 WASHER 6.6mm ID x 25mm OD x 1.6mm Thk
30	417310A1		4 BOLT M6 x 25 Self Align W/Captured WSHR
31	411161A1		1 COVER Main Valve
32	406166A1		1 SEAL To Side Console
33	417311A1		1 DECAL 3PT Hitch
34	87381288		2 BHD LOCK NUT
35	86513087		2 FITTING Blkhd, 9/16"-18, 37 Degree x 9/16"-18, 37 Degree
36	574342		2 CAP 9/16" - 18 JIC
36	48012503		4 HYD CONNECTOR Used with Dual Hydraulic Rear Blade
37	47726093		1 DECAL PTO/Aux Selection
37 1	86992957		1 KIT DIA Kit, 3 Point Hitch (5 Spool) Incl 1, 2, 7, 10, 13
37 1	47795824		1 KIT DIA Kit, Supplemental, High Flow Aux, With PTO, Incl 37

(1) To See the Full DIA Kit Composition Look For All the Figures Where the DIA Kit P/N is Shown

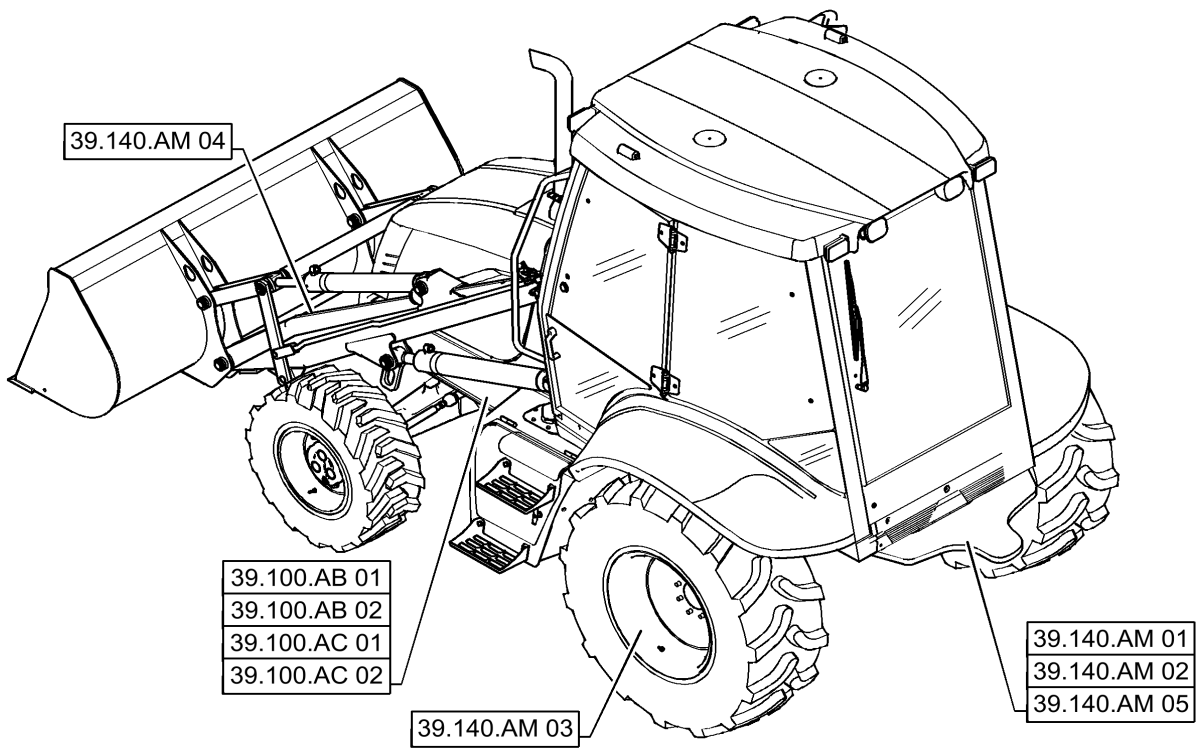
570N EP-LOADER LANDSCAPER - TIER 4B

39.000.00

p1

10/201
9

SECTION INDEX - FRAMES AND BALLASTING



39.100.AC

02

p1

10/201
9**FRAME BRACKET W/ PTO**

REF FN	PART NUMBER	YR/SN	QTY DESCRIPTION
1	614-10025		1 BOLT Hex, M10 x 1.5 x 25mm, CI 8.8
2	614-8030		1 BOLT Hex, M8 x 1.25 x 30mm, CI 8.8, Full Thd
3	829-1410		1 NUT M10 x 1.5, CI 10.9
4	47634761		1 BRACKET CE Gray C Channel
5	84342280		1 SPACER 10.5mm ID x 15.5mm OD x 3mm Thk
6	87417383		1 THREADED INSERT M8 x 1.25
7	87655042		1 SPECIAL WASHER 8.8mm ID x 17.5mm OD x 2.2mm Thk
8	87655046		2 SPECIAL WASHER 10.65mm ID x 23mm OD x 2.2mm Thk
9	87440381		1 SPACER 11.1mm ID x 19.05mm OD x 9.5mm Thk

570N EP-LOADER LANDSCAPER - TIER 4B

SECTION INDEX

STEERING

41.000.00		SECTION INDEX - STEERING, 2WD
41.000.00		SECTION INDEX - STEERING, 4WD
41.101.AB	01	STEERING COLUMN
41.200.BD	01	HYDRAULIC STEERING LINES - PARKER PUMP
41.200.BD	02	HYDRAULIC STEERING VALVE
41.200.BD	03	HYDRAULIC STEERING LINES - SHIMADZU PUMP - START APR 2016
41.216.AN	01	FRONT AXLE, STEERING CYLINDER, 2WD
41.216.AN	01	FRONT AXLE, STEERING CYLINDER, 4WD
41.216.AN	02	FRONT AXLE, STEERING TIE-ROD, 2WD
41.216.AN	02	FRONT AXLE, STEERING TIE-ROD, 4WD
41.910.AA	01	COMFORT STEERING, 2WD - W/PARKER PUMP
41.910.AA	01	COMFORT STEERING, 4WD - W/PARKER PUMP
41.910.AA	01a	COMFORT STEERING, 2WD - W/SHIMADZU PUMP - START APR 2016
41.910.AA	01a	COMFORT STEERING, 4WD - W/SHIMADZU PUMP - START APR 2016
41.910.AA	02	COMFORT STEERING, SOLENOID, ASSY

41.200.BD

01

p2

10/201
9

HYDRAULIC STEERING LINES - PARKER PUMP

REF FN	PART NUMBER	YR/SN	QTY DESCRIPTION
21	H434163		1 DUST CAP
22	L11541		1 CABLE TIE 203.2mm L, Nylon

570N EP-LOADER LANDSCAPER - TIER 4B

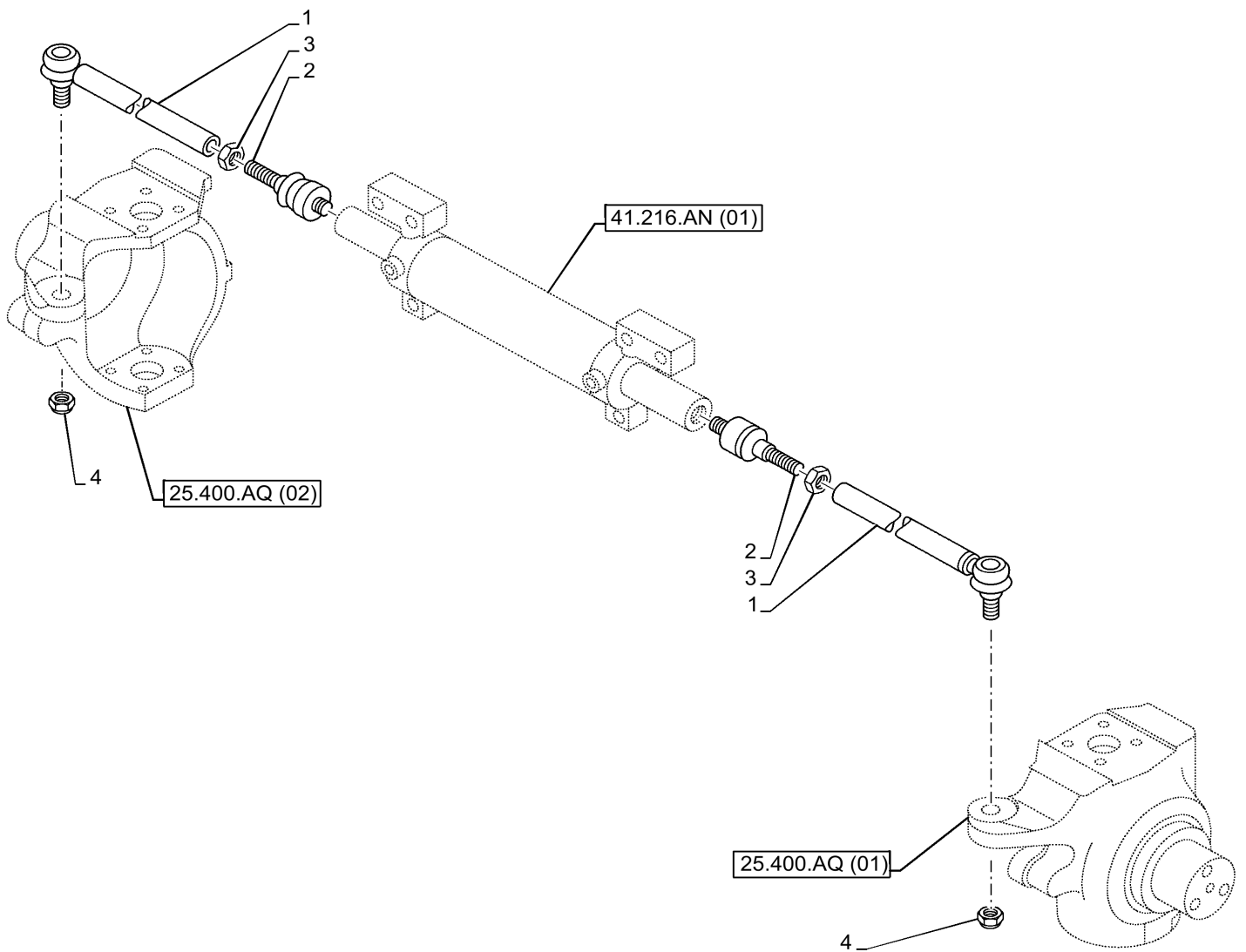
41.216.AN

02

p1

10/201
9

FRONT AXLE, STEERING TIE-ROD, 2WD



41.910.AA

01a

p1

10/201
9**COMFORT STEERING, 4WD - W/SHIMADZU PUMP - START APR 2016**

REF FN	PART NUMBER	YR/SN	QTY DESCRIPTION
1	84379517		1 PUMP Steering, Dual Displacement
2	87382811		1 SOLENOID VALVE 2 Position, 3 Way
3	329483A1		1 SEAL KIT Services Ref 2
4	87655041		4 SPECIAL WASHER 6.85mm ID x 13.5mm OD x 2mm Thk
5	87585817		1 SWITCH Fast Steer, Comfort
6	76350		2 HYD CONNECTOR 9/16" - 18 ORB x 9/16" - 18 JIC Incl 7
7	9617873		1 O-RING 0.078" Thk x 0.468" ID, -906, CI 6, 90 Duro Incl in 6, 12
8	86511870		1 TEE 3/4" - 16 JIC x 3/4" - 16 JIC x 3/4" - 16 JIC
9	L18331		1 CABLE TIE 375.9mm L, Nylon, Black
10	120056		2 BOLT M6 x 1.0 x 54.15mm, CI 8.8
11	393392		2 LOCK NUT Prev Torque, M6 x 1, CI 8
12	76344		1 90 ELBOW 9/16" - 18 JIC x 9/16" - 18 ORB Incl 7
13	86632549		1 TEE 37 Degree, 7/8"-14 x 7/8"-14, Fem Sw Run x 3/4"-16 Br
14	47933026		1 HYDRAULIC HOSE 10mm ID, 530mm L, SAE100R6 Fast Steer Return, Used with Shimadzu Pump
15	47982549		1 HYDRAULIC HOSE Fast Steer Pressure, Used with Shimadzu Pump
16	87578910		1 SENSOR Transmission Shift Position, Incl 17 - 18
17	87578908		1 O-RING 0.103" Thk x 0.237" ID, -108, CI 6, 90 Duro
18	NSS		1 NOT SOLD SEPARAT Pin, Position Sensor, Incl In 16
19	84356649		1 HOSE ASSY. Dual Speed Steer Pilot

570N EP-LOADER LANDSCAPER - TIER 4B

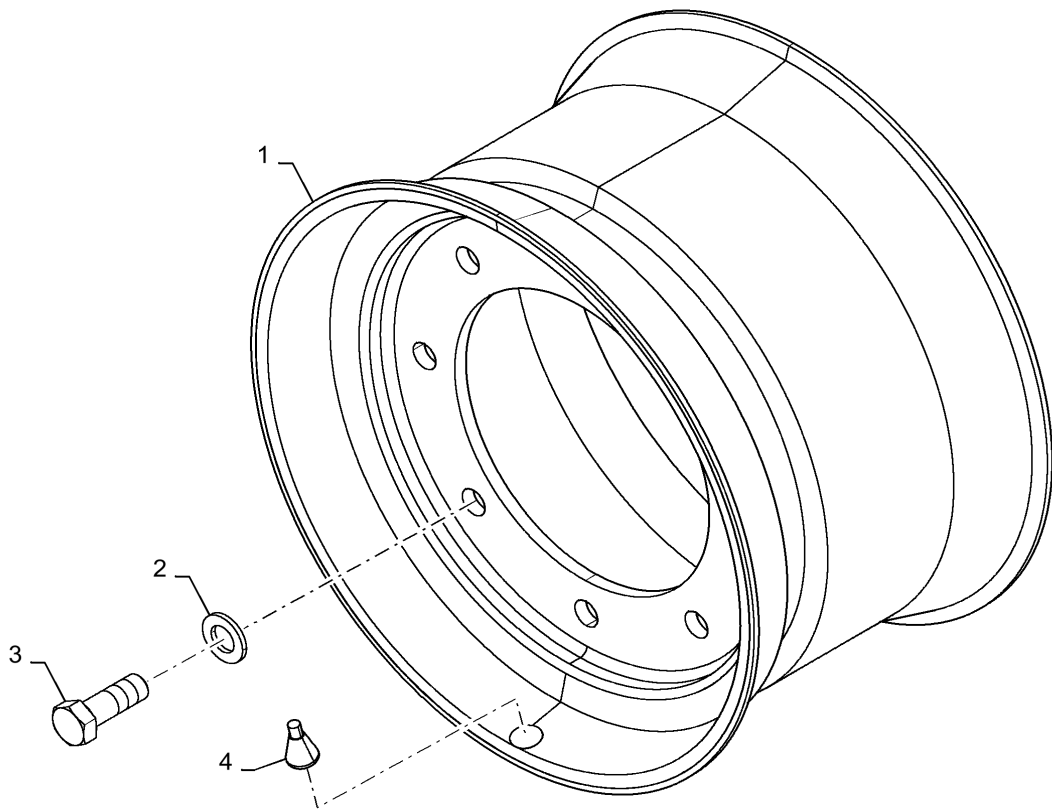
44.511.AG

01

p1

10/201
9

FRONT WHEEL, 4WD



CAB HEATER LINES & COOLING SYSTEM LINES

REF FN	PART NUMBER	YR/SN	QTY DESCRIPTION
1	428362A1		2 HEATER TUBE Elbow At Floor
2	614-8030		1 BOLT Hex, M8 x 1.25 x 30mm, CI 8.8, Full Thd
3	D143427		1 CLAMP 10mm ID x 42mm L Tube
4	D143417		1 SPACER 10.31mm ID x 15.88mm OD x 6.4mm L Steel
5	825-2408		1 FLANGE NUT M8 x 1.25, Flg, CI 8
6	833-40406		8 NUT M6, U
7	123980A1		2 SHIN Clamp
8	124011A1		1 GASKET 149mm L x 64mmL x 5mm L Bulkhead Clamp
9	845-6020		8 BOLT Hvy Hex, M6 x 20mm, CI 8.8
10	614-8030		1 BOLT Hex, M8 x 1.25 x 30mm, CI 8.8, Full Thd
11	D143427		2 CLAMP 10mm ID x 42mm L Tube
12	D143417		2 SPACER 10.31mm ID x 15.88mm OD x 6.4mm L Steel
13	825-2408		2 FLANGE NUT M8 x 1.25, Flg, CI 8
14	825-2406		2 FLANGE NUT M6 x 1, CI 8.8
15	181979A1		2 SEALING STRIP Foam
16	128410A1		1 HEATER HOSE 15.50 mm ID x 925.00 mm, SAE J20, 20R3
17	470375C1		4 CLAMP 1", Insul, 3/8" Bolt Double
18	614-8025		1 BOLT Hex, M8 x 1.25 x 25mm, CI 8.8, Full Thd
19	1954736C1		6 HOSE CLAMP #24
20	R52483		1 VALVE Temperature Control
21	458-412		2 BOLT Hex, 1/4" - 20 x 3/4", Gr 5
22	892-11008		1 LOCK WASHER 8mm ID
23	895-11008		1 WASHER 9mm ID x 16mm OD x 1.6mm Thk
24	L18331		2 CABLE TIE 375.9mm L, Nylon, Black
25	429937A1		1 HOSE ASSY. Cab Suction
26	430789A1		1 HOSE ASSY. Cab Base Liquid
27	L11541		3 CABLE TIE 203.2mm L, Nylon

570N EP-LOADER LANDSCAPER - TIER 4B

SECTION INDEX

ELECTRICAL SYSTEMS

55.000.00		SECTION INDEX - ELECTRICAL SYSTEMS, 2WD
55.000.00		SECTION INDEX - ELECTRICAL SYSTEMS, 4WD
55.010.AQ	01	FUEL FILTER/WATER SEPARATOR, SENSOR
55.015.AA	01	ENGINE, ELECTRONIC, CONTROL UNIT
55.015.AB	01	ENGINE WIRE HARNESS MOUNTING
55.015.AB	02	ENGINE WIRE HARNESS
55.015.AB	03	ENGINE WIRE HARNESS (W/ LAMBDA SENSOR)
55.015.AB	04	ENGINE WIRE HARNESS (W/O LAMDA SENSOR)
55.022.AB	01	TRANSMISSION, TEMPERATURE SWITCH
55.024.AH	01	4WD ENGAGEMENT SWITCH
55.036.AF	01	HYDRAULIC OIL FILTER, HARNESS
55.100.DO	01	CAB FUSE BOX & RELAYS
55.100.DO	02	KIT CAB HARNESS RELAY 12V , 5A
55.100.DP	01	SIDE CONSOLE HARNESS
55.100.DP	01a	SIDE CONSOLE HARNESS
55.100.DP	02	PTO JUMPER HARNESS
55.100.DP	03	PTO JUMPER HARNESS MOUNTING
55.100.DP	04	CANOPY WIRE HARNESS
55.100.DP	05	LOW PROFILE CANOPY WIRE HARNESS
55.100.DP	06	WINDSHIELD WASH RESERVOIR, HARNESS
55.100.DP	08	HEATED CCV WIRE HARNESS
55.100.DP	09	TURN SIGNAL, WIRE HARNESS, JUMPER
55.101.AC	01	CHASSIS HARNESS
55.110.AF	01	CAB WIRE HARNESS WITH A/C
55.201.AE	01	ENGINE STARTER
55.201.AU	01	STARTER MOTOR JUMPER CABLE
55.202.AE	01	BLOCK HEATER
55.202.AG	01	GLOW PLUG CONTROL MODULE
55.301.AA	01	ALTERNATOR
55.302.AG	01	SINGLE BATTERY & BATTERY CABLES - W/O COLD START
55.302.AG	02	DUAL BATTERY & BATTERY CABLES
55.302.AI	01	BATTERY DISCONNECT SWITCH
55.302.AI	02	BATTERY DISCONNECT SWITCH

55.015.AB

01

p1

10/201
9**ENGINE WIRE HARNESS MOUNTING**

REF FN	PART NUMBER	YR/SN	QTY DESCRIPTION
1	84414504		1 BRACKET ECU
2	87655041		8 SPECIAL WASHER 6.85mm ID x 13.5mm OD x 2mm Thk
3	43117		4 SCREW Hex, M6 x 1.0 x 30mm, CI 8.8
4	86500688		4 NUT Hex, M6 x 1.0, CI 10.9
5	L11541		10 CABLE TIE 203.2mm L, Nylon
6	513309		1 HOSE CLAMP 1-1/16" - 2", Worm Gear
7	84498262		1 GROMMET 80mm L, 90mm L, 30mm L Rubber, Block
8	47735085		1 MOUNTING PLATE Grommet Mounting, Firewall
9	281-54512		4 SCREW Hex Wshr Hd, #10 - 24 x 3/4"
10	87668737		1 CABLE TIE 203.2mm L, Nylon, Black Fir Tree
11	84259663		1 CABLE TIE 228.6mm L, Nylon, Black Cable Tie with Fir Tree Mount

570N EP-LOADER LANDSCAPER - TIER 4B

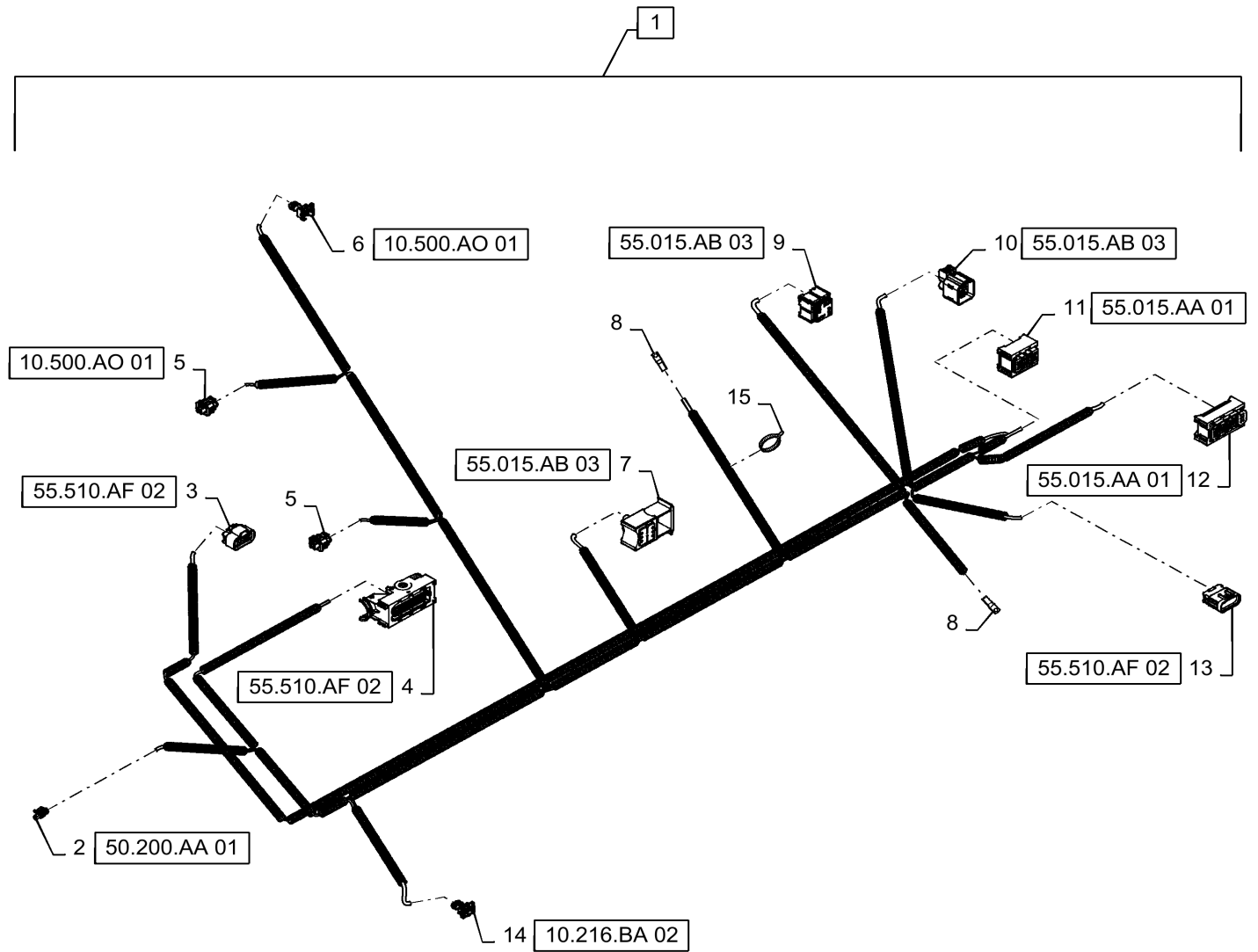
55.015.AB

04

p2

10/201
9

ENGINE WIRE HARNESS (W/O LAMDA SENSOR)



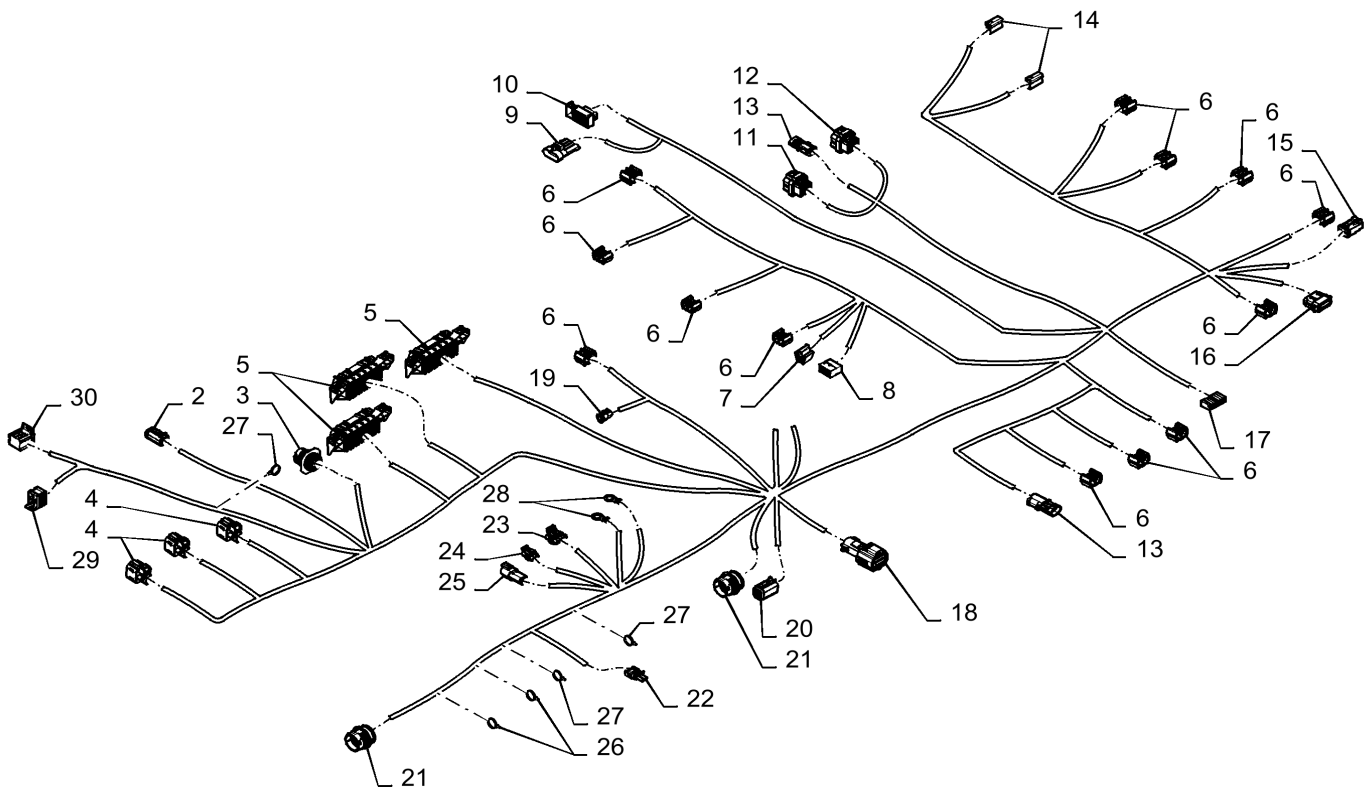
CAB FUSE BOX & RELAYS

REF FN	PART NUMBER	YR/SN	QTY DESCRIPTION
	47512858		1 WIRE HARNESS Side Console, Incl 1 - 23
1	84543633		1 BRACKET Fuse And Relay Mounting
2	84271717		3 RELAY 12V, 50A - 70A (Used for Power #1 & #2, ECU B+)
3	87271930		1 NUT Connector, Wire, Plastic panel nut Deutch, Plastic, Size 24
4	87578455		1 RELAY 12V, Turn Signal and Hazard Flasher, Turn Signal, and Hazzard
5	347706A3		1 RELAY 12V, 5A Sealed Time Delay
6	845-6020		6 BOLT Hvy Hex, M6 x 20mm, Cl 8.8
7	87301687		2 SCREW HWH, #10 - 32 x 1/2"
8	231-24409		2 NUT #10-32
9	87655334		11 RELAY 12V, 35A, Micro (Used for SAHR Park Break, SAHR Park Brake Trans Cutout, Starter, Power #1, #2, #3, #4, Comfort Steer, Fwd, Neutral, Reverse, Trans De-clutch, Lighting, A/C)
10	121416A1		5 FUSE 30A, Mini, Green (Used for Cigarette Lighter, Blower Motor, Customer B+, Customer Key On)
10	10402190		5 FUSE 30A (Used for Cigarette Lighter, Blower Motor, Customer B+, Customer Key On)
11	121410A1		13 FUSE 5A, Mini, Tan (Used for Tail Light, Dome Light, High Beam, Beacon, Radio B+, Horn, Trax B+, 2WD Ride Control, SAHR Brake, Comfort Steer, Powerlift, ECU B+, Instrument Cluster, Telematics)

570N EP-LOADER LANDSCAPER - TIER 4B

SIDE CONSOLE HARNESS

1



SIDE CONSOLE HARNESS

REF FN	PART NUMBER	YR/SN	QTY DESCRIPTION
9	87697723		1 ELEC CONNECTOR Male, 4 Cavities Radio Speakers, 4 Way Receptacle, X - 105
9	87689643		1 CLIP 4.8mm ID X - 105
10	87699386		1 MULTIPOLE CONNECTOR Female, 24 Pole to Cab Harness, 24 Way Receptacle, X - 020
10	87714248		1 LOCKING TAB Cam Lock X - 020
10	84128189		3 PLUG X - 020
11	82016219		1 MULTIPOLE CONNECTOR Female, 26 Pole Instrument Cluster, 26 Way Receptacle, X - 028
11	82017049		8 PLUG 3.0mm, White X - 028
12	82028493		1 MULTIPOLE CONNECTOR Female, 26 Pole Instrument Cluster, 26 Way Receptacle, X - 029
12	82017049		11 PLUG 3.0mm, White X - 029
13	87692877		1 MULTIPOLE CONNECTOR Male, 2 Cavities Audible Alarm, 2 Way Receptacle, X - 030
14	87697531		1 ELEC CONNECTOR Female, 2 Cavities Power Socket, 2 Way Receptacle, X - 182
14	87697531		1 ELEC CONNECTOR Female, 2 Cavities Power Socket, 2 Way Receptacle, X - 181
15	87711966		1 PLUG PTO Diode, 2 Way Receptacle, X - 149
15	87712180		1 ELEC CONNECTOR Wedge Lock X - 149
15	84535086		1 DIODE Receptacle PTO, X - 149
16	87700156		1 CONTACT HOUSING Female, 12 Pole Telematics Module, X - 498
16	84807680		4 PLUG 2.15mm, Red X - 498
16	87705198		1 WEDGE Wedge Lock, 12 Way Plug X - 498

570N EP-LOADER LANDSCAPER - TIER 4B

55.100.DP

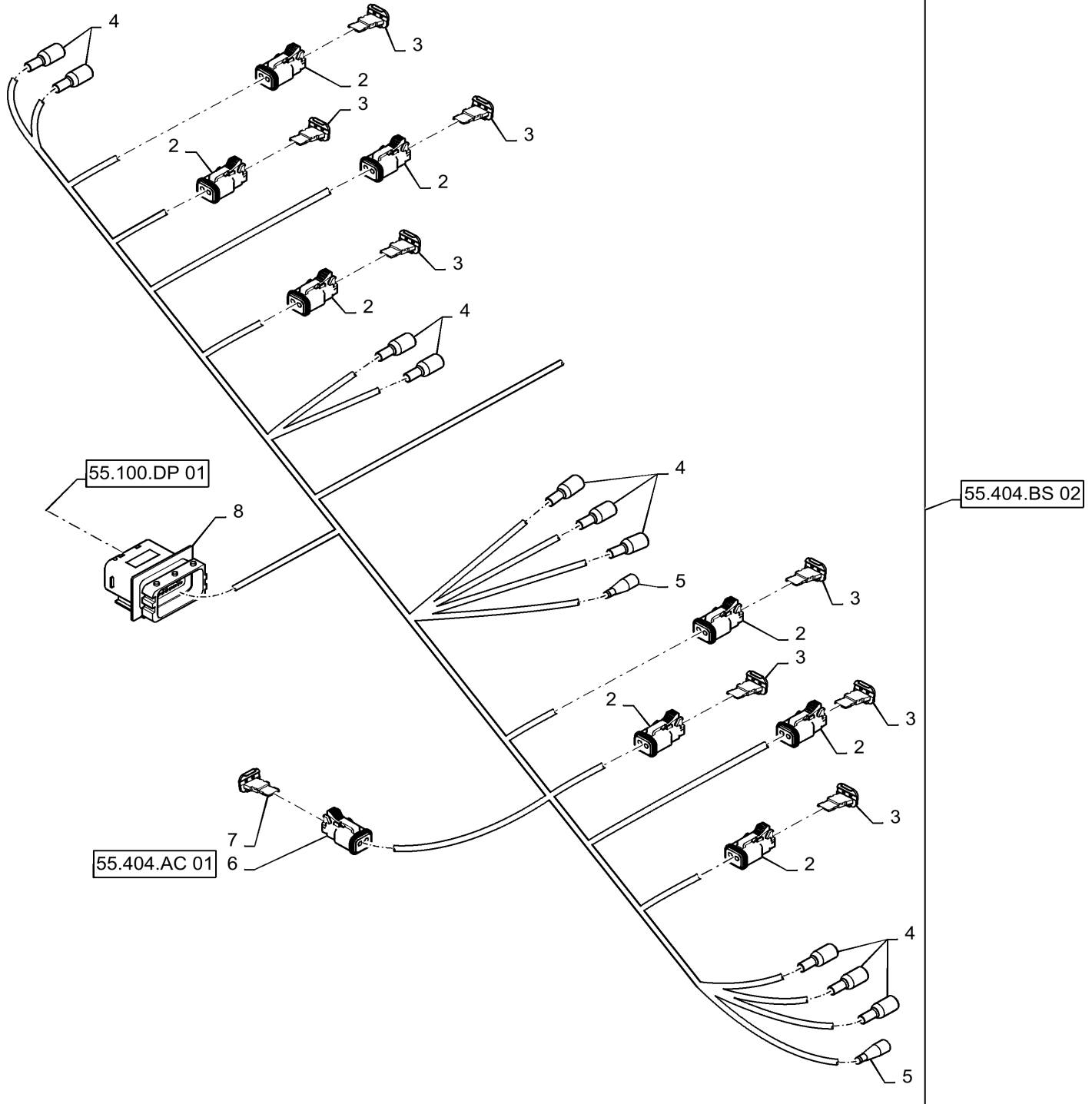
04

p2

10/201
9

CANOPY WIRE HARNESS

1



55.100.DP

09

p1

10/201
9

TURN SIGNAL, WIRE HARNESS, JUMPER

REF FN	PART NUMBER	YR/SN	QTY DESCRIPTION
1	84386684		1 WIRE HARNESS Turn signal, Jumper, Incl 2 - 3
2	84277200		1 ELEC CONNECTOR
2	84277223		1 LOCKING TAB WEDGE LOCK 2W REcP
3	87695525		1 ELEC CONNECTOR

570N EP-LOADER LANDSCAPER - TIER 4B

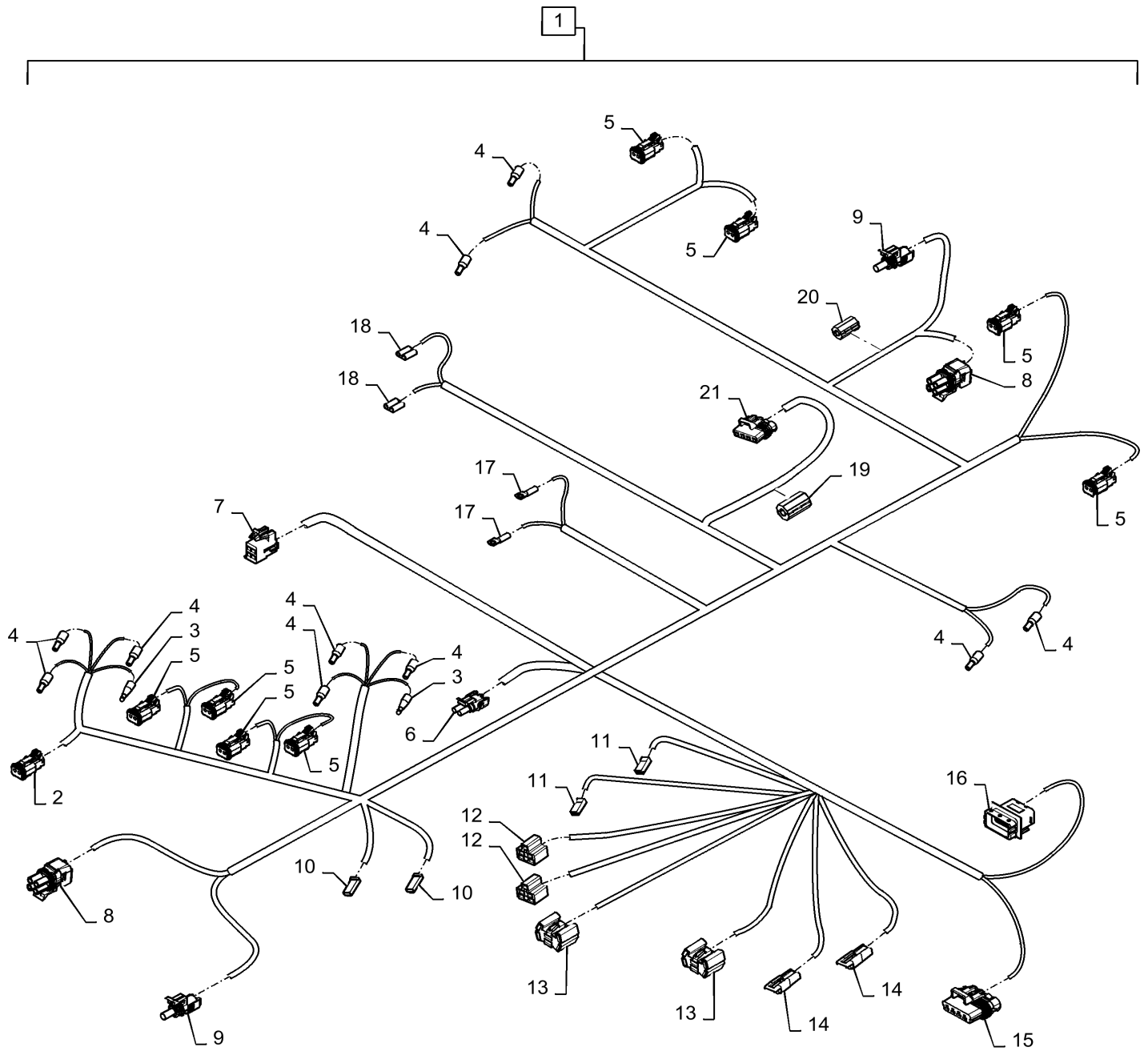
55.110.AF

01

p3

10/201
9

CAB WIRE HARNESS WITH A/C



BLOCK HEATER

REF FN	PART NUMBER	YR/SN	QTY DESCRIPTION
1	43151		1 BOLT Hex, M12 x 20mm, CI 8.8, Full Thd
2	12646001		1 WASHER 14.4mm ID x 24mm OD x 2mm Thk
3	84546269		1 GUARD 10.5mm ID x 1975mm L Hose
4	86050279		1 FLANGE NUT M10 x 1.5, CI 10
5	87693857		1 HEATER 820W - 120V Assembly
6	87693858		1 CABLE Heater, 820W - 120V Block Heater
7	L11541		3 CABLE TIE 203.2mm L, Nylon
8	L302731		1 CLAMP 19mm D Clamping Pipes Double
9 1	84562926		1 CONSTRUCTION DIA Kit, Block Heater, Incl 1 - 8

(1) To See the Full DIA Kit Composition Look For All the Figures Where the DIA Kit P/N is Shown

570N EP-LOADER LANDSCAPER - TIER 4B

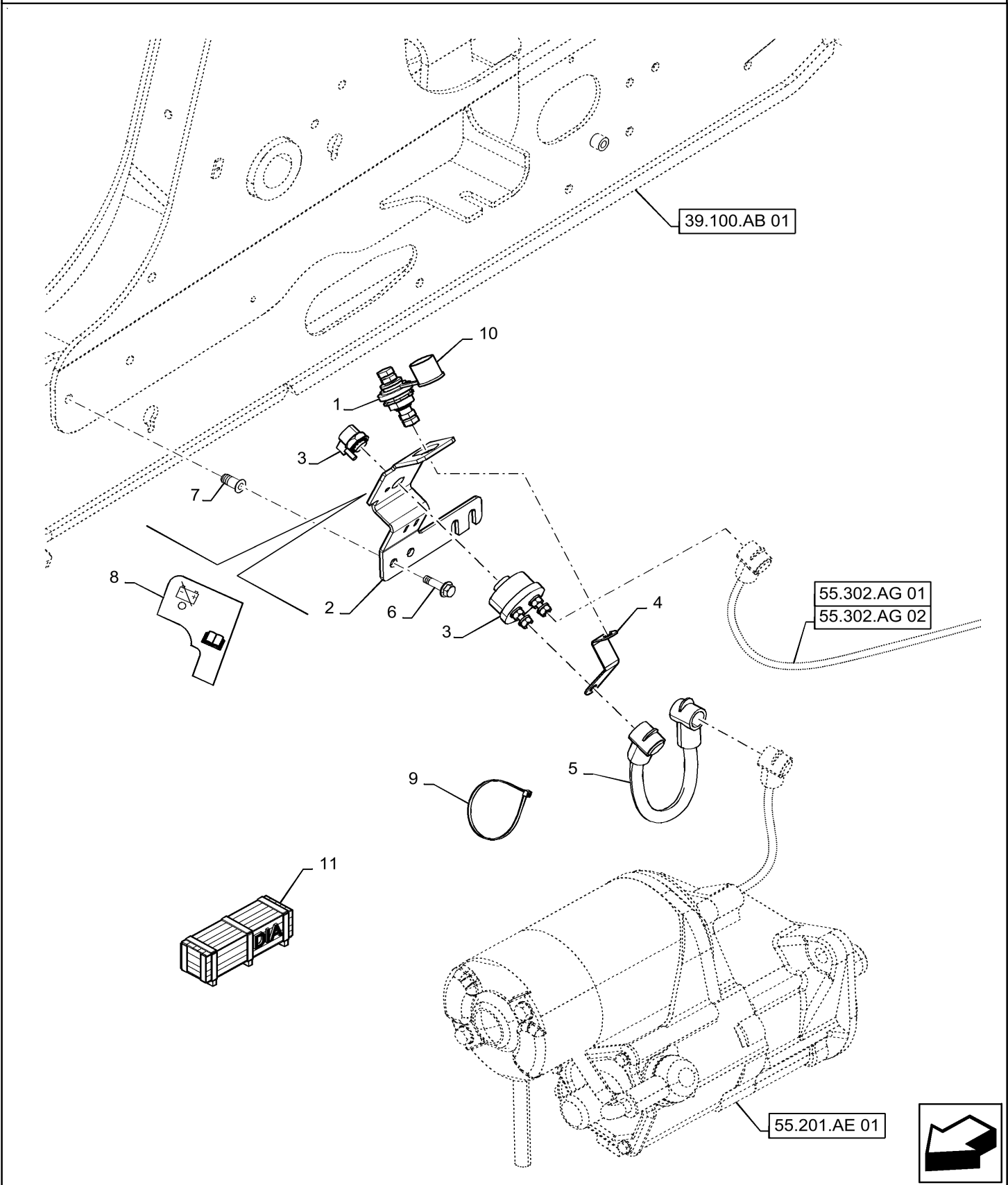
55.302.AI

02

p1

10/201
9

BATTERY DISCONNECT SWITCH



55.404.BS

03

p1

10/201
9

TURN SIGNAL LIGHT, ASSY

REF FN	PART NUMBER	YR/SN	QTY DESCRIPTION
1	D121152		1 LAMP 12V Marker Red Incl 2 - 4
2	N6836		1 LENS Red Red
3	9417867		1 BULB C6, #1157, 12.8V
4	261-14310		2 SELF-TAP SCREW Cross Pan Hd, #6 x 5/8"

570N EP-LOADER LANDSCAPER - TIER 4B

55.510.AF

01

p1

10/201
9**CAB, FRONT HARNESS INSTALLATION**

REF FN	PART NUMBER	YR/SN	QTY DESCRIPTION
1	84526779		1 WIRE HARNESS Front Cab
2	13550401		1 WASHER 10.5mm ID x 21mm OD x 2mm Thk
3	626-10016		1 BOLT Hex, M10 x 1.5 x 16mm, Cl 10.9, Full Thd

570N EP-LOADER LANDSCAPER - TIER 4B

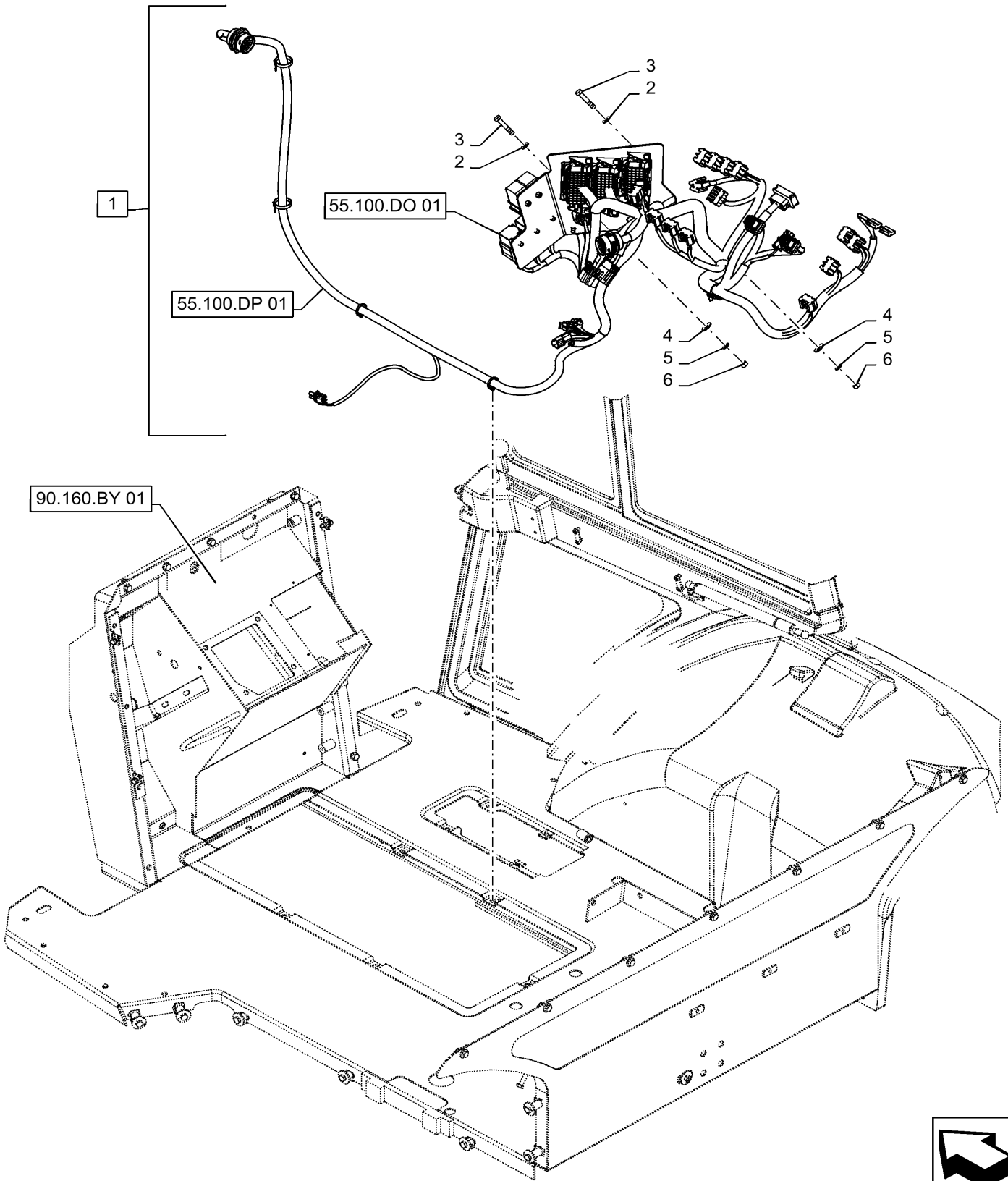
55.512.BY

02

p1

10/201
9

SIDE CONSOLE, WIRE HARNESS



55.518.AY

01

p1

10/201
9**WINDSHIELD WIPER SWITCH**

REF FN	PART NUMBER	YR/SN	QTY DESCRIPTION
1	87493411		1 BRACKET, SUPPORTING Switch Support
2	A42561		4 JAM NUT Hex, 7/16" - 28, RH Thd 7/16th
3	473321C1		4 CABLE TIE 8" OAL x 0.098" W Nylon Tie
4	L18331		1 CABLE TIE 375.9mm L, Nylon, Black Black Nylon
5	86624184		2 WASHER 9mm ID x 16mm OD x 1.6mm Thk
6	D36179		1 LINING Trim
7	386786A1		1 ROCKER SWITCH Rear Windshield Wiper
8	R52415		1 ROTARY SWITCH Front Windshield Wiper
9	245258A1		1 ROTARY SWITCH Blower Fan
10	111282C1		2 KNOB Windshield Wiper / Blower

570N EP-LOADER LANDSCAPER - TIER 4B

SECTION INDEX

FRONT LOADER & BUCKET

82.000.00		SECTION INDEX - FRONT LOADER AND BUCKET
82.100.AF	01	LOADER LIFT FRAME
82.100.AF	01a	LOADER LIFT FRAME - AFTER NOV 2016
82.100.AF	02	ANTI-ROLL BACK LINKAGE
82.100.AF	03	ANTI-ROLL BACK LINK
82.300.AN	01	LOADER BUCKET, W/ CUTTING EDGE, 82"
82.300.AN	02	LOADER BUCKET, 82" LONG LIP
82.300.AN	03	LOADER BUCKET, 93"
82.300.AN	04	LOADER BUCKET, 82", 4 IN 1

82.100.AF

01a

p2

10/201
9**LOADER LIFT FRAME - AFTER NOV 2016**

REF FN	PART NUMBER	YR/SN	QTY DESCRIPTION
28	335177A1		2 PIN 50mm OD x 234mm L Loader Lift Cylinder
29	87623771		1 GROOVED PIN 40mm OD x 150mm L Loader Lift
30	800-44040		16 SNAP RING M40, Ext
31	341564A2		1 STRUT Loader Lift Arm
32	344892A1		1 GROMMET 25.4mm OD, 12.7mm ID, 26mm L Safety Strut
33	118900A1		1 PIN 40mm OD x 179mm L Lift Cylinder
34	104824A1		1 PIN 12.7mm OD Loader Support
35	87724438		2 GROOVED PIN 40mm OD x 138.3mm L Bucket Cylinder
36	84367828		4 PIN 40mm OD x 180mm L
37	219-1		8 LUBE NIPPLE 1/8" - 27 NPTF
38	87548980		1 CLEVIS PIN 3/8" x 1"
39	432-612		1 COTTER PIN 3/32" x 3/4"
40	192815A1		1 PIN 1/2" - 13, 1.85" L Anti-Roll Back
41	103-3350		1 SNAP RING #50, .392" Dia, E-Type
42	495-11053		1 WASHER 1/2", SAE
43	87712370		1 ROD Anti-Roll Back
44	D127542		2 BUSHING 50.2mm ID x 60mm OD x 30mm L Loader Arm Pivot

570N EP-LOADER LANDSCAPER - TIER 4B

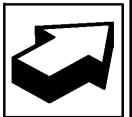
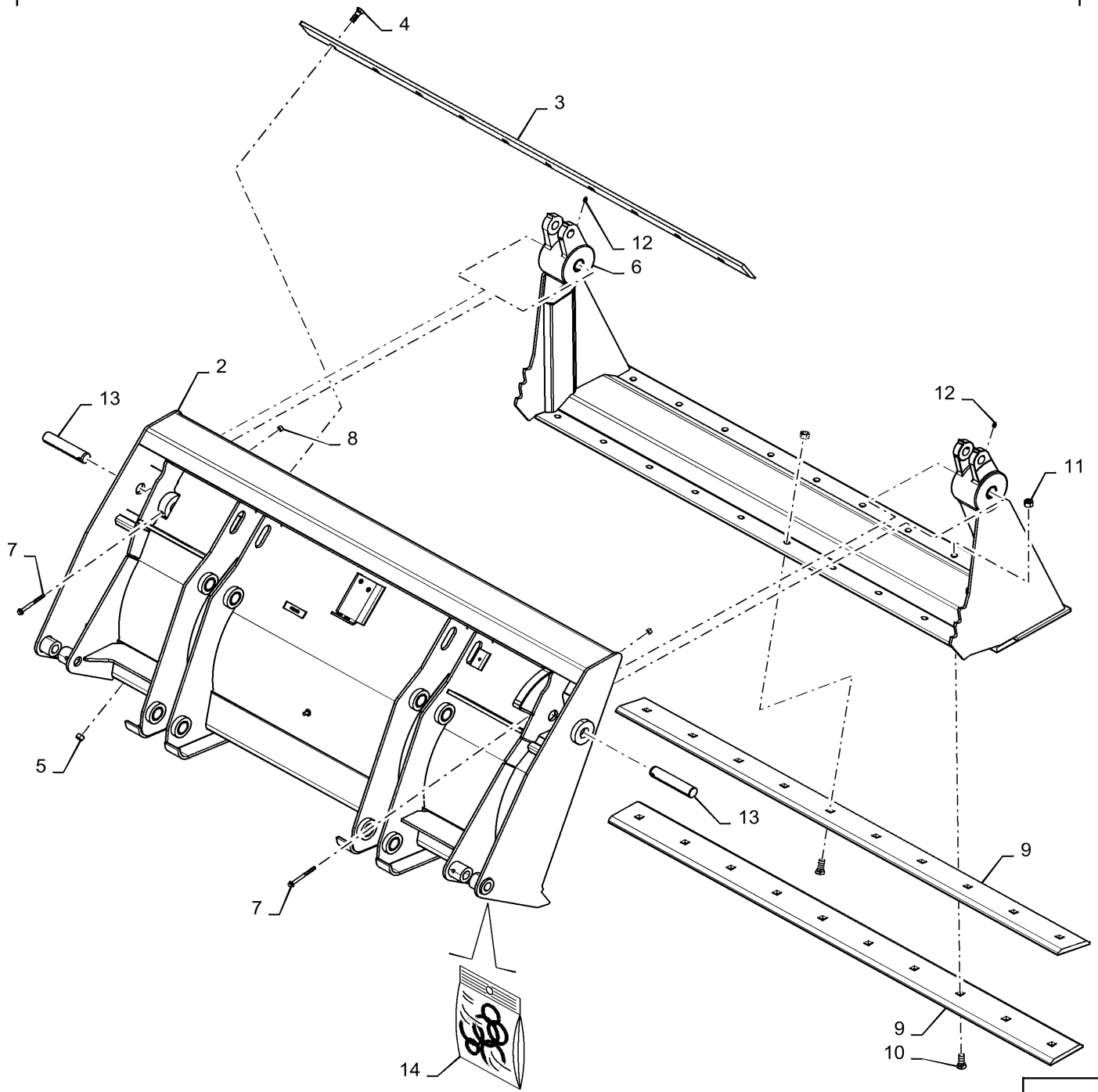
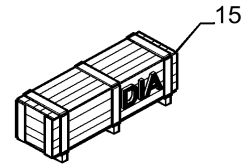
82.300.AN

04

p1

10/201
9

LOADER BUCKET, 82", 4 IN 1



DIA KIT, HYDRAULIC SYSTEM

REF	FN	PART NUMBER	YR/SN	QTY DESCRIPTION
1	1	47795824		1 KIT DIA Kit, Supplemental, High Flow Aux, With PTO
2	1	47715044		1 KIT DIA Kit, Supplemental High Flow Aux, Without PTO
3	1	86992957		1 KIT DIA Kit, 3 Point (5 Spool) Instruction 6-47340
4	1	87572246		1 CYLINDER HEAD DIA Kit, Dual Tilt Cylinder (Order from Wholegoods Only) Instruction 84165700
5	1	47618448		1 KIT DIA Kit, PTO (Order from Wholegoods Only) Instruction 47711115
6	1	47676309		1 CONSTRUCTION DIA DIA Kit, Ride Control (Order from Wholegoods Only) Instruction 47676308
7	1	47795879		1 KIT DIA Kit, Hi Flow Aux PTO (Order from Wholegoods Only) Instruction 47795888
8	1	47634751		1 KIT DIA Kit, Hi Flow Aux Without PTO (Order from Wholegoods Only) Instruction 47711120

(1) To See the Full DIA Kit Composition Look For All the Figures Where the DIA Kit P/N is Shown

570N EP-LOADER LANDSCAPER - TIER 4B

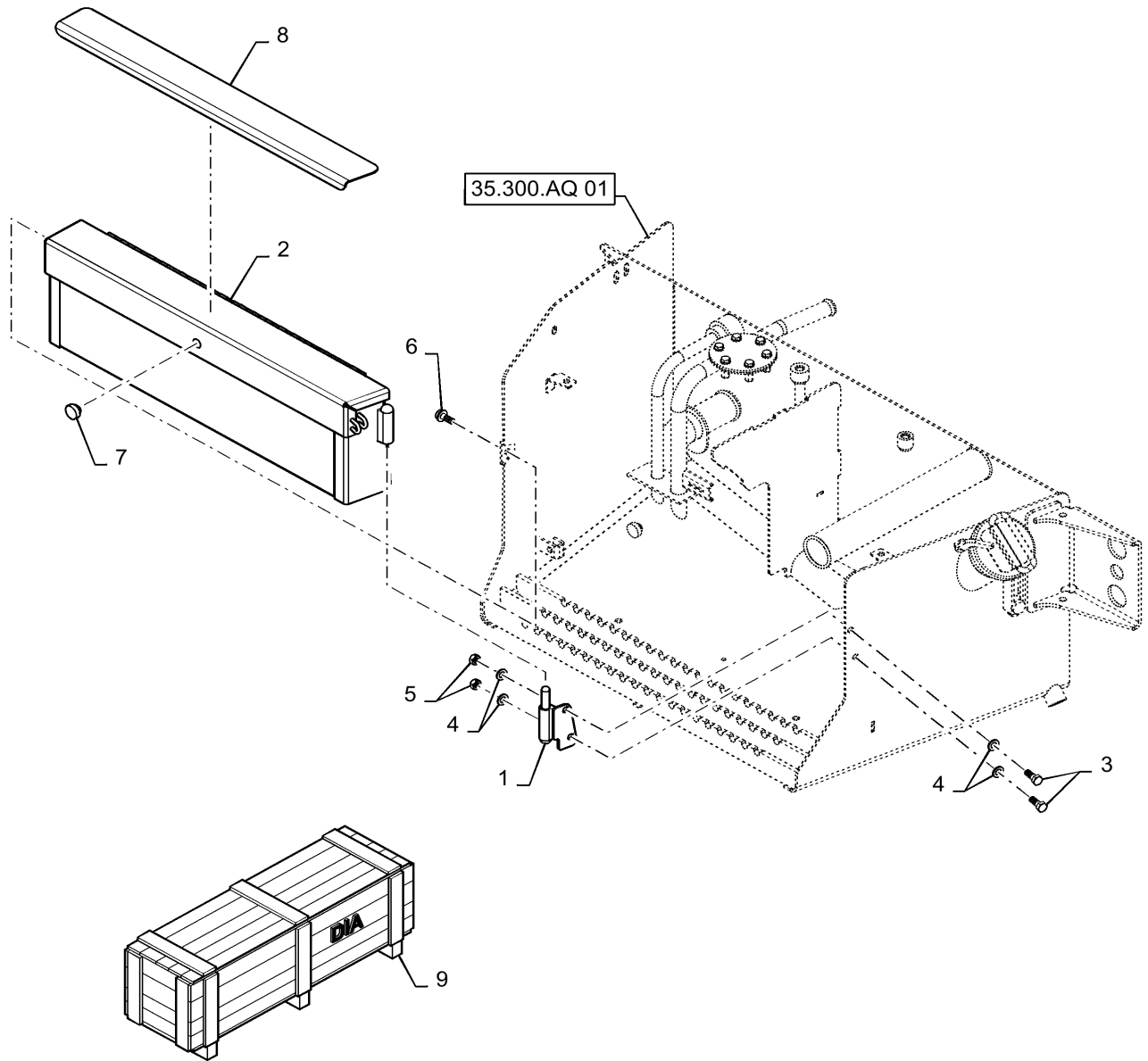
88.100.AH

01

p1

10/201
9

TOOL BOX



SECTION INDEX

PLATFORM, CAB, BODYWORK AND DECALS

90.120.BB	04	SEAT, MECHANICAL SUSPENSION
90.124.010		CAB, SEAT AIR SUSPENSION, CLOTH - SPECIAL FEATURE
90.124.020		CAB, SEAT AIR SUSPENSION, CLOTH, CUSHION, ARMREST, COMPONENTS - SPECIAL FEATURE
90.124.030		CAB, SEAT AIR SUSPENSION, CLOTH, SWIVEL PIVOT, COMPONENTS - SPECIAL FEATURE
90.124.040		CAB, SEAT AIR SUSPENSION, CLOTH, SUSPENSION, COMPONENTS - SPECIAL FEATURE
90.124.050		CAB, SEAT AIR SUSPENSION, CLOTH, BELLOWS, PEDESTAL, COMPONENTS - SPECIAL FEATURE
90.124.060		CAB, SEAT AIR SUSPENSION, CLOTH, SWITCH, HARNESS - SPECIAL FEATURE
90.124.AE	02	SEAT, AIR SUSPENSION
90.150.AB	01	CAB
90.150.AB	02	CAB, REAR CLOSURE
90.150.AB	03	COVER ASSY, 3 PT HITCH, CAB
90.150.AB	04	PLUG, CAB
90.151.AD	01	SEAT BELT, SUSPENSION SEAT
90.151.AD	02	SEAT BELT, MECHANICAL SEAT
90.151.AE	01	SUN VISOR, CAB
90.151.AE	02	SUN VISOR, CANOPY
90.154.AA	01	CAB DOOR
90.154.AA	02	CAB DOOR, INTERIOR
90.154.AA	03	CAB DOOR
90.156.AB	01	REAR WINDOW, 2 PIECE
90.156.AB	02	REAR WINDOW, 2 PIECE
90.156.AI	01	CAB GLASS
90.160.AM	01	CAB STORAGE BOX
90.160.AX	01	STANDARD CAB HEADLINER
90.160.BY	01	CONSOLE, COMPONENTS
90.160.CF	01	COVER, WINDSHIELD WASHER SWITCH, REAR
90.160.CK	01	NOISE REDUCTION PACKAGE

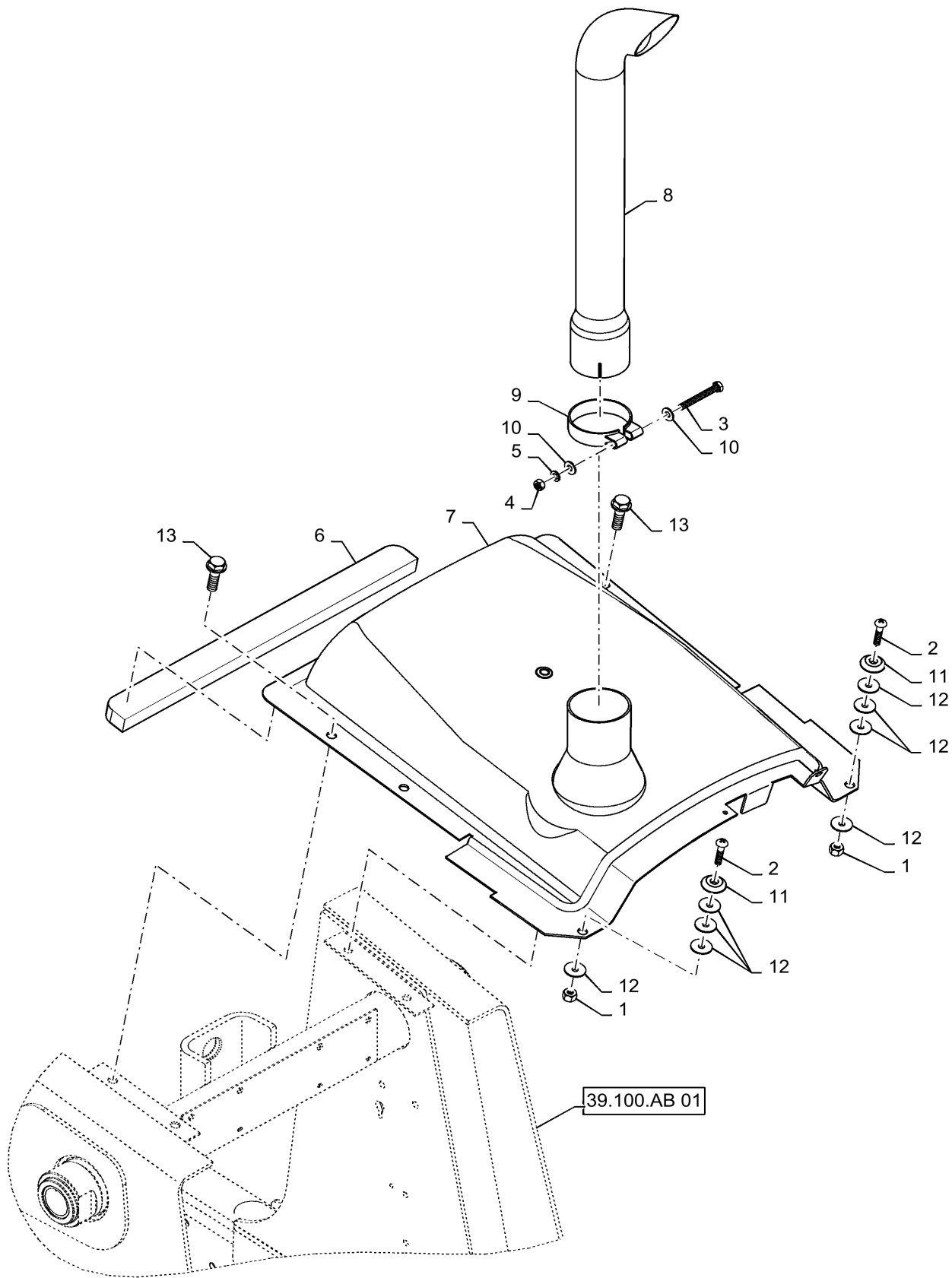
90.100.AU

02

p1

10/201
9

FIXED HOOD, CAB



39.100.AB 01



90.108.AA

01

p1

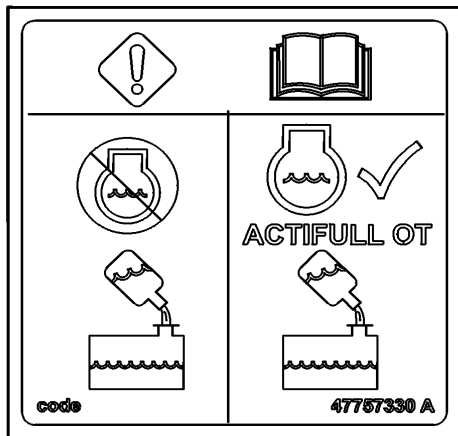
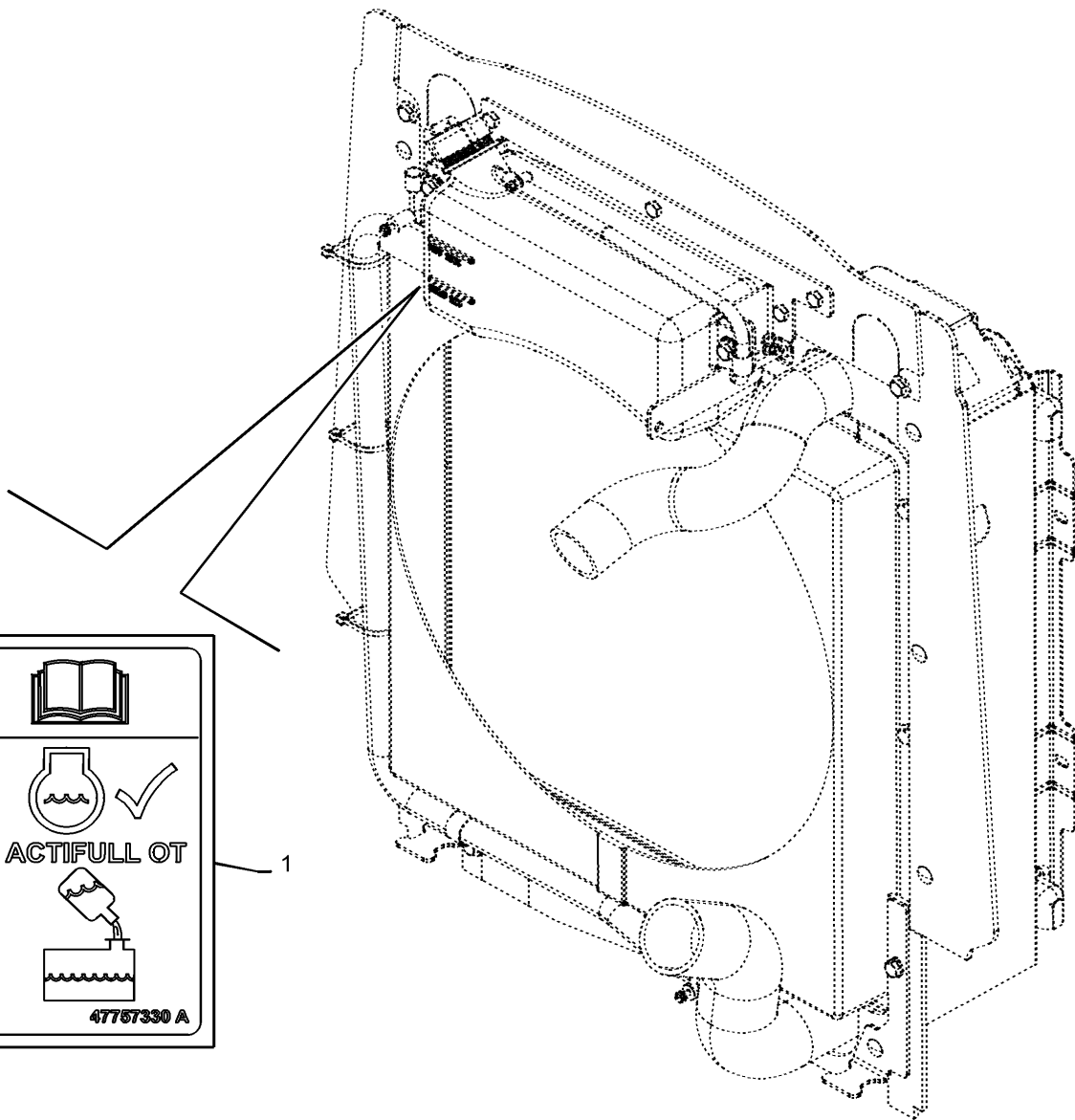
10/201
9

2 SPOOL LEVER DECAL

REF FN	PART NUMBER	YR/SN	QTY DESCRIPTION
1	84329385		1 DECAL 2 Spool Function Loader

570N EP-LOADER LANDSCAPER - TIER 4B

DECALS, EXTERNAL



90.114.AQ

01

p1

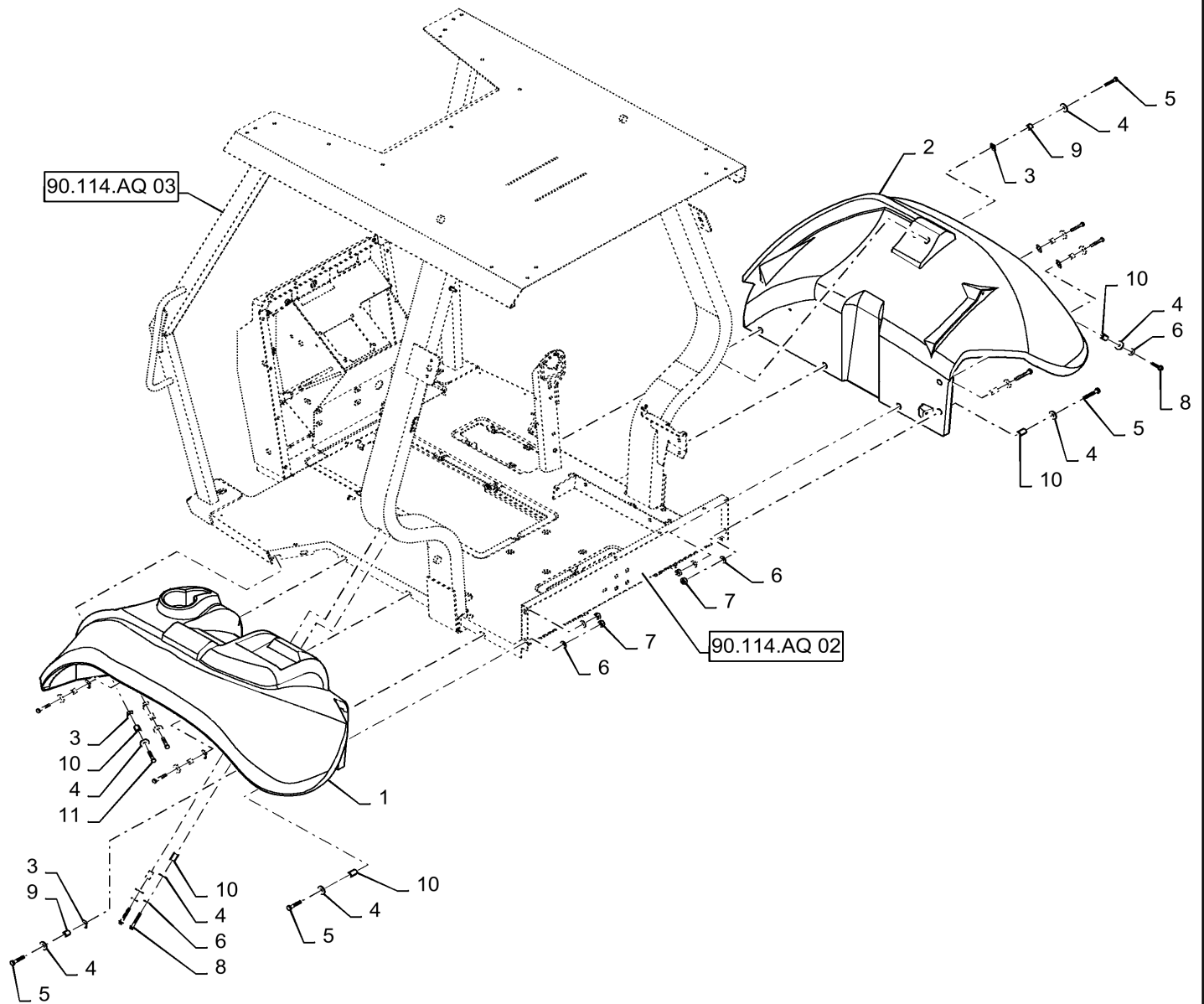
10/201
9

LOW PROFILE CANOPY ASSY

REF FN	PART NUMBER	YR/SN	QTY DESCRIPTION
1	47481976		1 CANOPY Low Profile, ROPS
1	47566913		1 CANOPY Low Profile, ROPS

570N EP-LOADER LANDSCAPER - TIER 4B

FENDER, CANOPY



90.120.BB

01

p1

10/201
9

SEAT, NON-SUSPENSION

REF FN	PART NUMBER	YR/SN	QTY DESCRIPTION
1	87564192		1 SEAT ASSY. Non Suspension, W/O Armrests, Vinyl - Wheat
2	896-15012		4 WASHER 13.5mm ID x 28mm OD x 4mm Thk
3	604-12030		4 BOLT Hex, M12 x 30mm, Cl 8.8

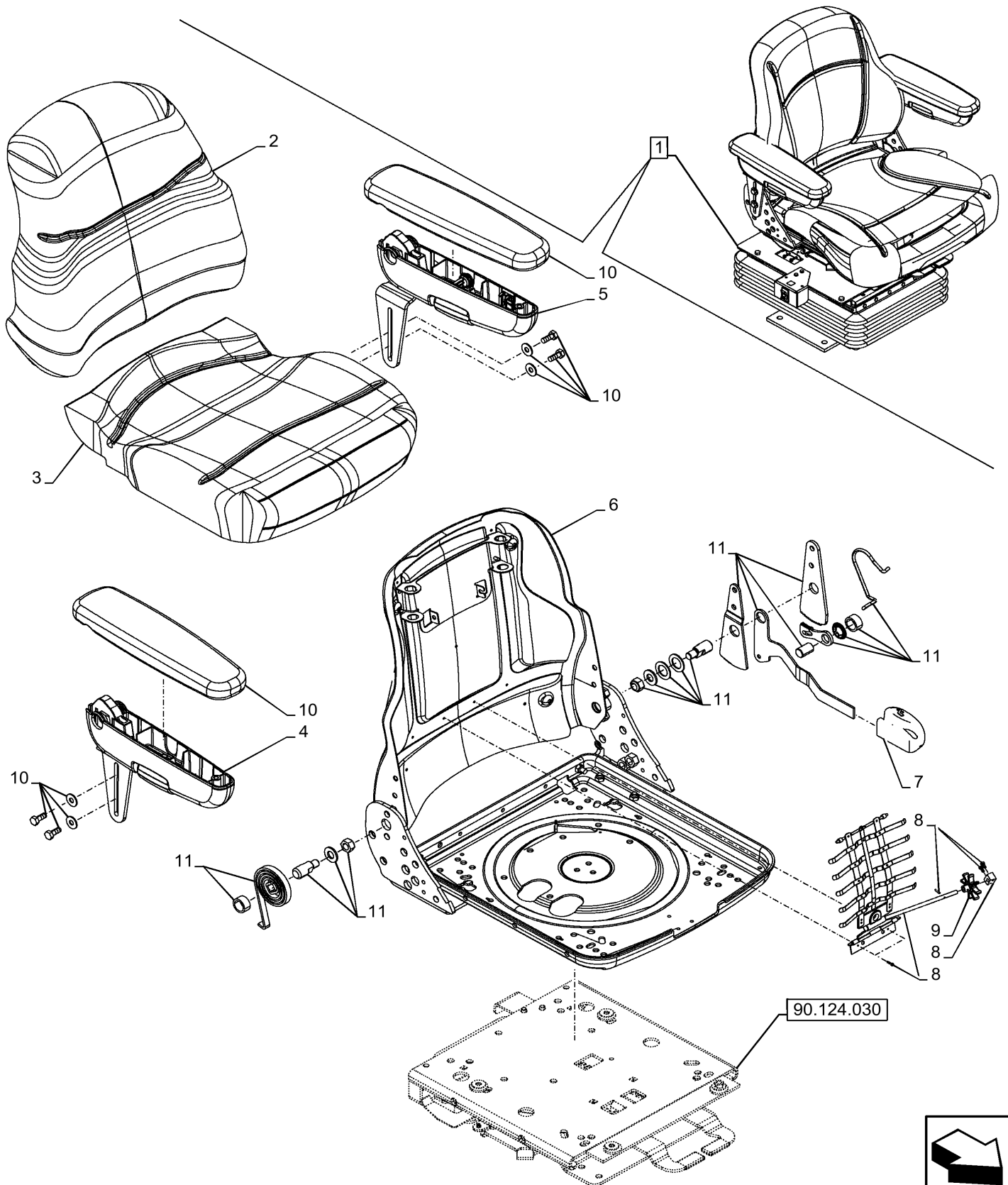
570N EP-LOADER LANDSCAPER - TIER 4B

90.124.020

p1

10/201
9

CAB, SEAT AIR SUSPENSION, CLOTH, CUSHION, ARMREST, COMPONENTS - SPECIAL FEATURE



SEAT, AIR SUSPENSION

REF FN	PART NUMBER	YR/SN	QTY DESCRIPTION
1	84276108		1 SEAT Assy, Cloth, Incl 2 - 34
2	87308157		1 SEAT BACK
3	604-12030		4 BOLT Hex, M12 x 30mm, Cl 8.8
4	87308130		1 SEAT BACK ADJUST DEV
5	87037462		1 SEAT BACK ADJUST DEV
6	86994165		1 SEAT ACCESSORY
7	87339800		1 KNOB
8	87308153		1 ARMREST
9	87308152		1 ARMREST
10	87308154		2 SEAT ACCESSORY Arm Pad Kit (Contains Pad and Screw)
11	87475826		1 SERVICE KIT Tether Belt
12	84174986		1 BRACKET
13	87308131		1 SEAT ACCESSORY
14	87308132		1 BEARING ASSY
15	87475861		1 ROCKER SWITCH Air Valve
16	84276125		1 SWITCH
17	84468480		1 KIT
18	84276127		1 SERVICE KIT Air Suspension Assy
19	300680A1		1 KIT Slide Puck
20	87475830		1 SERVICE KIT Upper Housing
21	143786A1		2 SHAFT 308.9mm L
22	87475831		1 SERVICE KIT
23	9845760		1 SPRING 91mm OD x 131mm L Air
24	333279A2		1 KIT Air Spring
25	86556264		1 HOUSING Lower Housing
26	87475833		1 SERVICE KIT Pedestal
27	87655043		4 WASHER M12, 13.65mm ID x 24.90mm OD x 3.20mm, HT Boron, ZNM
28	1 87475837		1 SERVICE KIT Shock
(1)	SEAT KIT, SHOCK ABSORBER SERVICE KIT		

570N EP-LOADER LANDSCAPER - TIER 4B

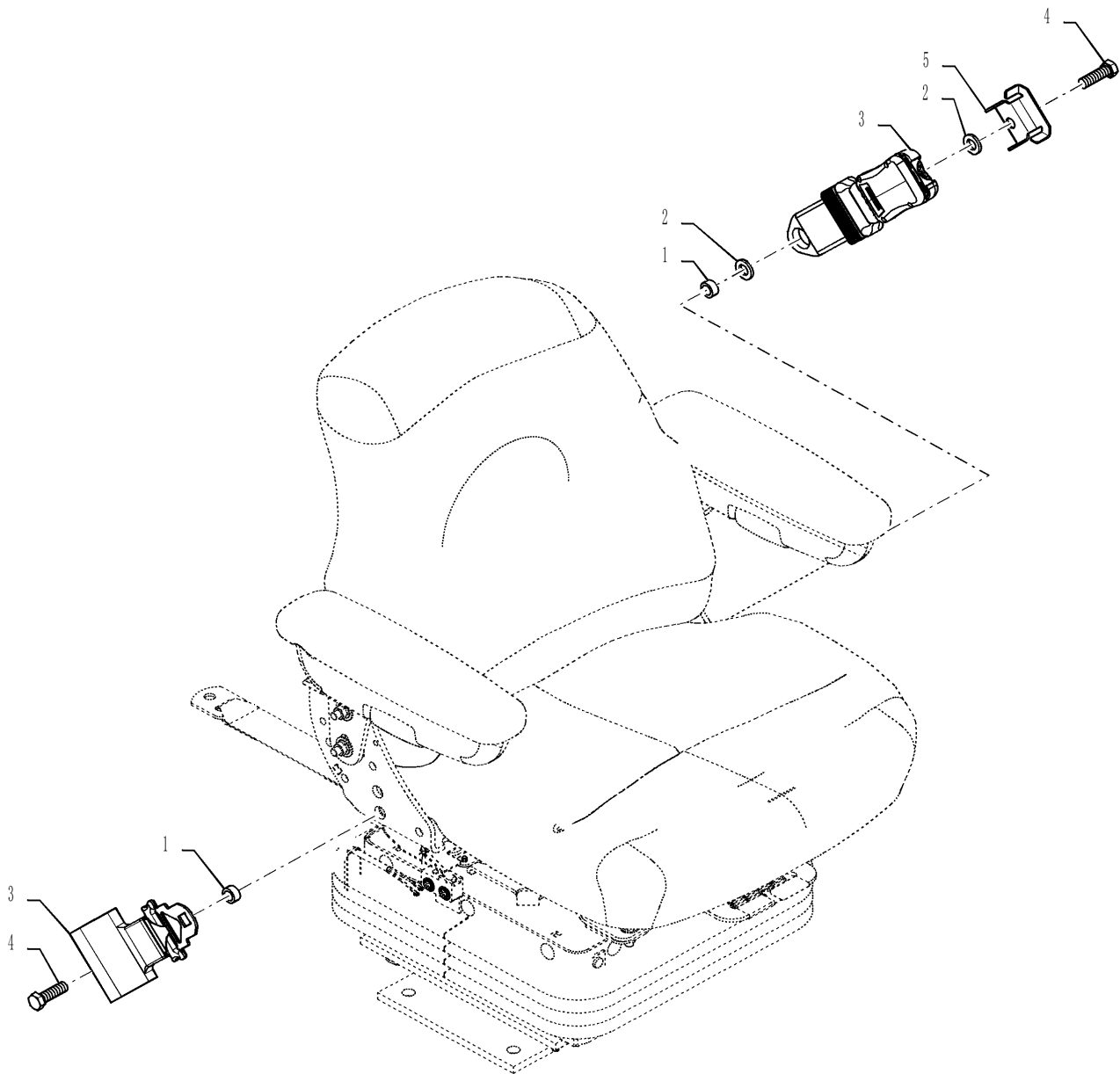
90.151.AD

01

p1

10/201
9

SEAT BELT, SUSPENSION SEAT



CAB DOOR, INTERIOR

REF FN	PART NUMBER	YR/SN	QTY DESCRIPTION
1	137868A3		1 DOOR LH, Incl 2
1	137869A3		1 DOOR RH, Incl 2
2	R53562		1 BRACKET Cable
3	281069A1		2 HANDLE Window
4	281068A1		2 HANDLE Window
5	140-107		4 SCREW Pan HD, #10 - 24 x 3/4"
6	F45165		8 SPECIAL NUT #10-24
7	142-104		4 SCREW Oval HD, #10 - 24 x 1"
8	F64198		4 BUMPER 4.98mm ID x 7.92mm OD x 10.21mm L Nylon
9	195-81023		8 WASHER 5.94mm ID x 14.28mm OD x 1.25mm Thk
10	F44881		2 CYLINDER ASSY. Gas Spring
11	1340345C1		2 BALL STUD Stud
12	230-4215		2 NUT 5/16"-18, GA
13	108938A2		1 PANEL LH Door
13	108936A2		1 PANEL RH Door
14	260-16524		4 SELF-TAP SCREW Phillips Drive, Pan HD, #10 - 16 x 1-1/2"
15	R53000		4 GROMMET Grommet Screw
16	1958970C1		2 HANDLE Inner Door
17	165-129		8 HEX SOC SCREW Self-Lkg, 1/4" - 20 x 3/4"
18	1971368C1		4 PLATE ASSY. Retainer
19	1977399C1		2 SUPPORT ASSY. Gas Spring
20	413-48		4 BOLT Hex, 1/4" - 20 x 1/2", Gr 5
21	492-11025		4 LOCK WASHER 1/4"
22	R54047		4 PAD 30mm OD x 0.76mm Thk Window Bracket
23	F44883		2 CLIP DIN 71805 - S10 Gas Spring
24	280336A1		1 STEM Hold Open, LH
24	291129A1		1 STEM Hold Open, RH
25	895-11008		4 WASHER 9mm ID x 16mm OD x 1.6mm Thk
26	100-3331		2 SNAP RING #X31, .243" Dia, E-Type

570N EP-LOADER LANDSCAPER - TIER 4B

90.160.AM

01

p1

10/201
9

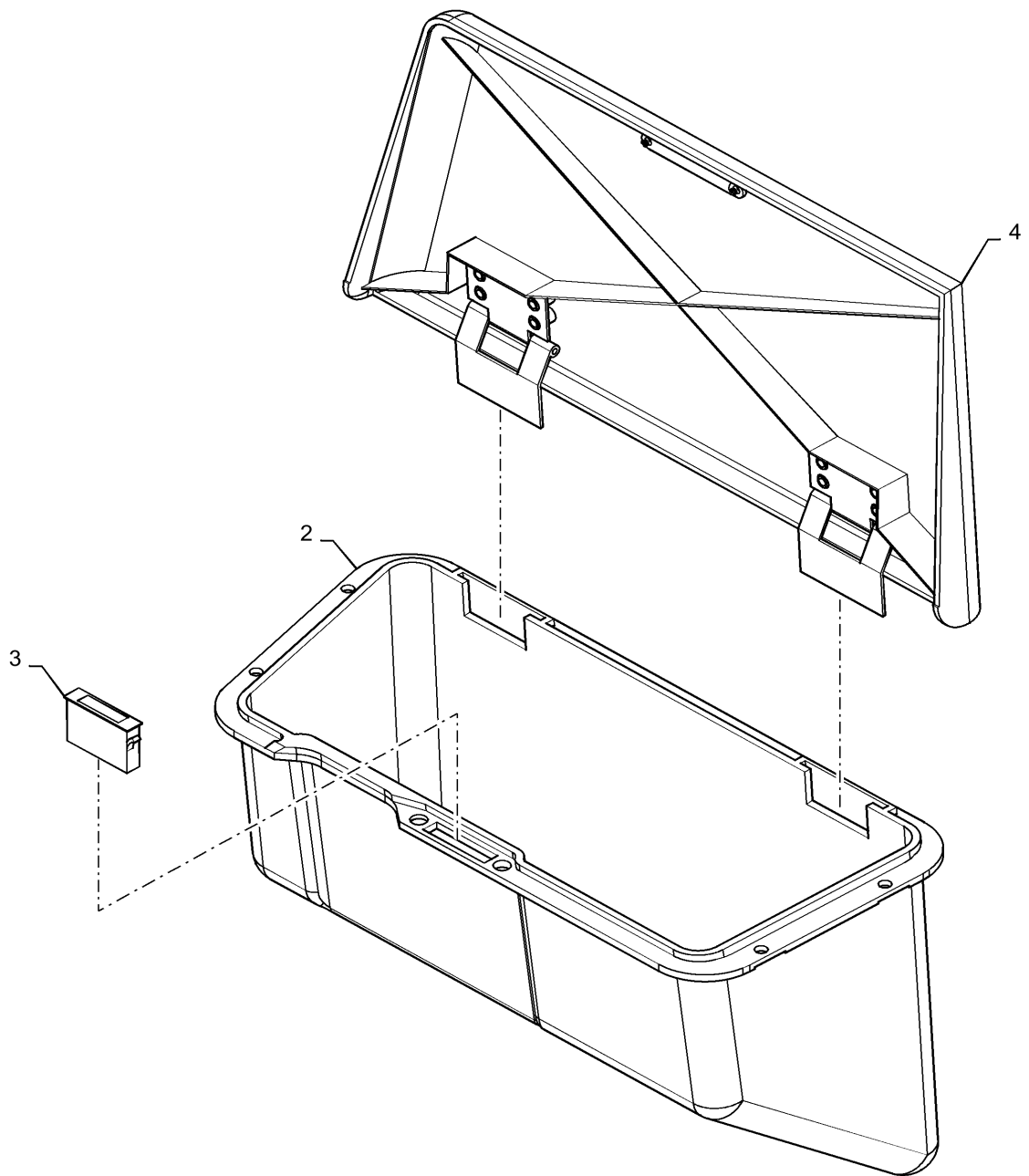
CAB STORAGE BOX

1

4

2

3



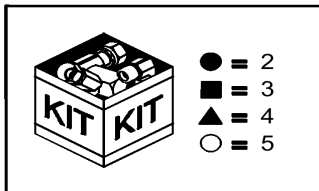
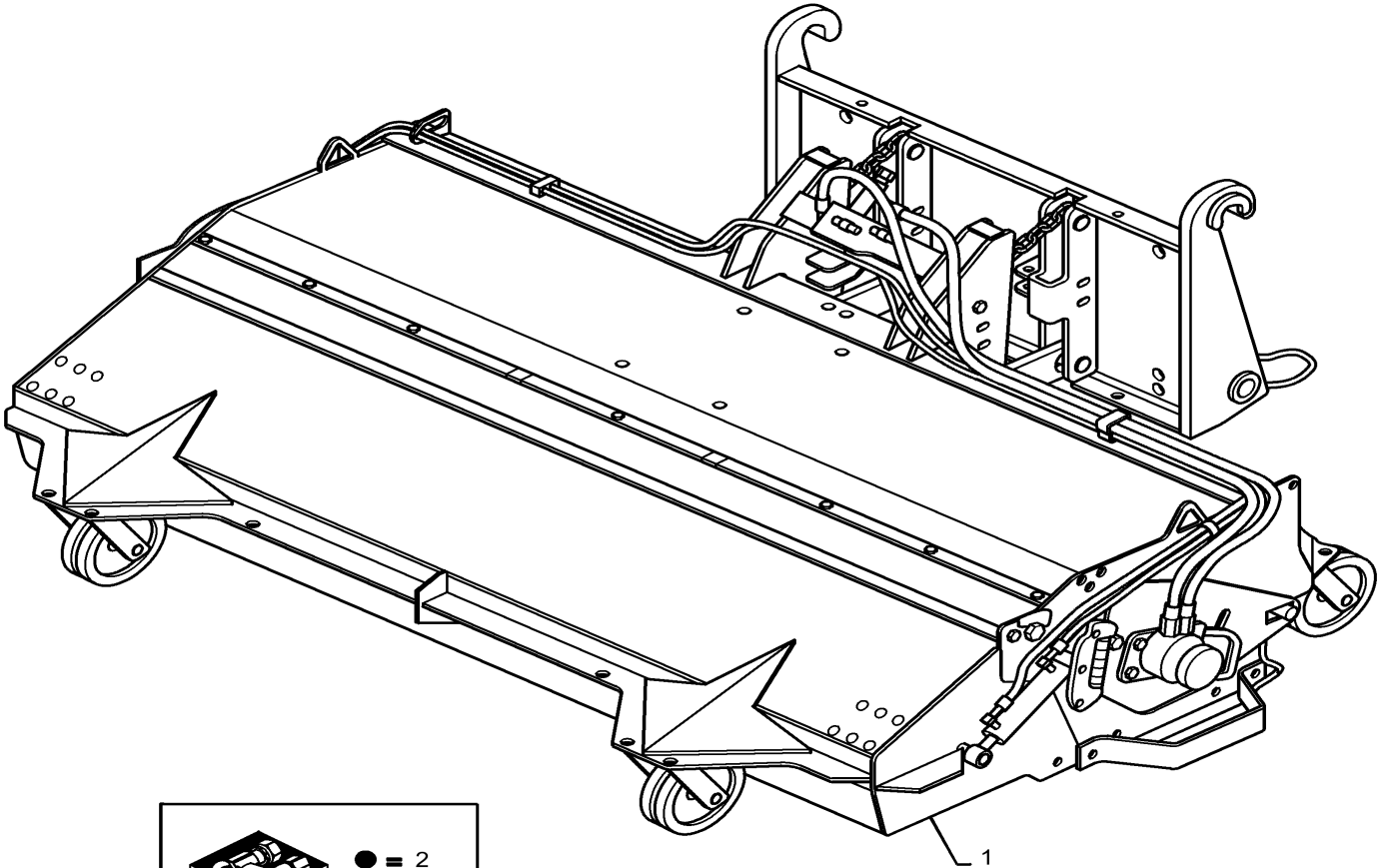
95.100.040

01

p1

10/201
9

BROOM - 84"



Order from Ship Direct, Contact Ship Direct with Parts Related Questions

95.100.050

05

p1

10/201
9

BUCKET W/ CUTTING EDGE - 98"

REF FN	PART NUMBER	YR/SN	QTY DESCRIPTION
1	47365338		1 BUCKET, LIGHT MATERI 98", 2.2 cu yd 98", QC, Incl 2
2	47945698		1 CUTTING EDGE Kit, Incl 3 - 5
3	47948404		1 CUTTING EDGE 203mm W x 2502mm L, 10 Bolt
4	87672192		10 BOLT M10 x 1.5 x 45mm, Cl 8.8
5	86518194		10 NUT 3/4"-10, G8

570N EP-LOADER LANDSCAPER - TIER 4B

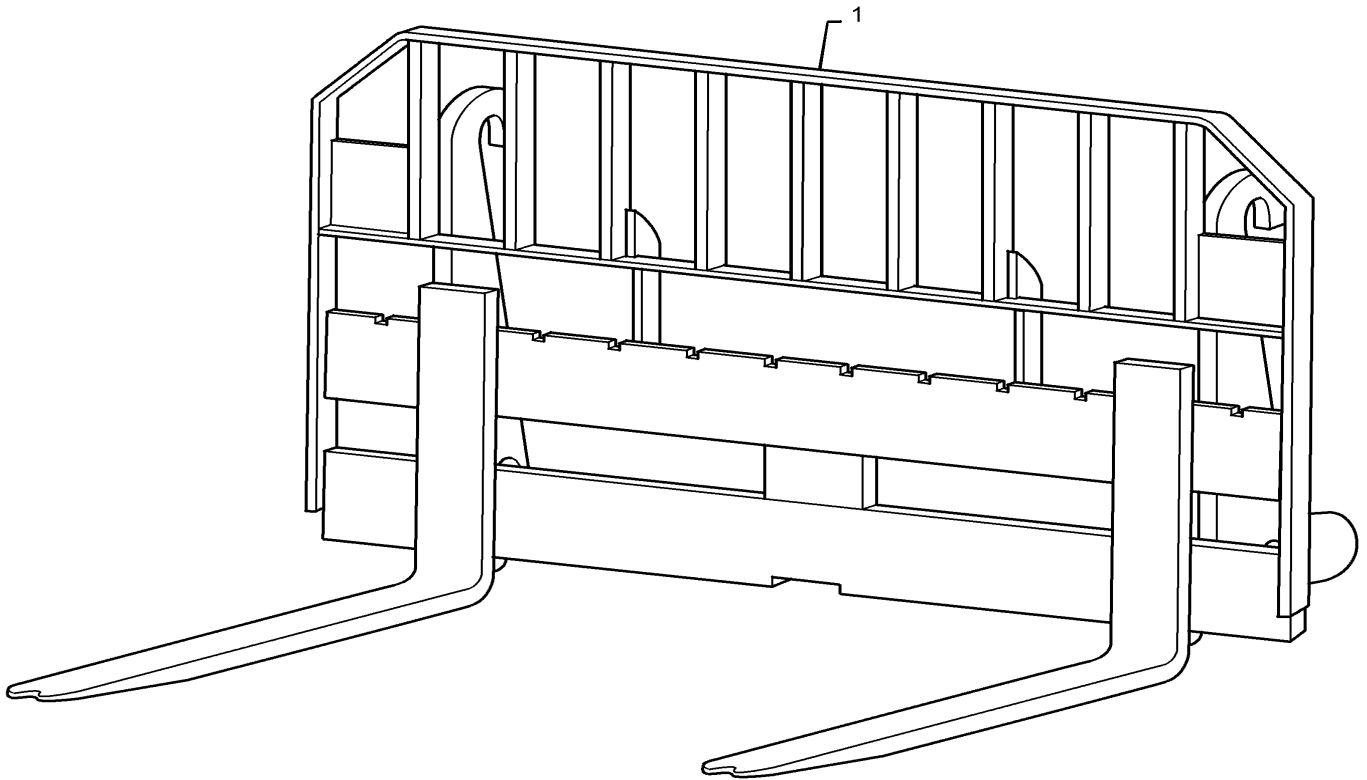
95.100.080

01

p1

10/201
9

PALLET, FORK



Order from Ship Direct, Contact Ship Direct with Parts Related Questions

INDEX - INDICE - INDEX - ZAHLENVERZEICHNIS - INDICE - INDICE - INDHOLD - INHOUD

Number	Figure	Sequence	Ref.	Number	Figure	Sequence	Ref.
137851A1	90.114.AQ	02	10	141249A1	39.100.AB	02	6
137851A1	90.114.AQ	04	3	142-103	90.154.AA	03	9
137868A3	90.154.AA	02	1	142-104	90.154.AA	02	7
137868A3	90.154.AA	03	1	142300A1	82.300.AN	04	9
137869A3	90.154.AA	02	1	142300A1	95.100.050	02	3
137869A3	90.154.AA	03	1	142300A1	95.100.050	04	2
137913A1	35.116.AH	02	3	142404A1	82.100.AF	02	14
137917A1	35.116.AH	02	11	142524A1	82.100.AF	01	21
138-328	33.202.BN	01	14	142524A1	82.100.AF	01a	23
138-328	33.202.BN	02	11	142538A1	82.300.AN	01	5
138236A1	35.116.AH	03	3	142538A1	82.300.AN	02	2
138467A1	35.220.AD	01	6	142538A1	82.300.AN	03	8
138467A1	35.723.AB	02	8	142538A1	95.100.050	06	5
138847A1	35.116.AH	04	12	142538A1	95.100.050	07	8
139180A1	82.100.AF	01	8	142930A2	41.101.AB	01	1
139195A1	82.100.AF	03	1	143121A1	90.114.AQ	02	12
139235A1	82.100.AF	03	1	143127A1	90.114.AQ	02	11
139294A1	33.202.AX	01	5	143127A1	90.114.AQ	04	2
139312A1	21.140.AE	01	19	14326211	25.100.AD	01	5
139312A1	33.110.AV	01	22	143786A1	90.124.040		10
139312A1	33.110.AV	01	22	143786A1	90.124.AE	02	21
139362A1	90.116.AC	01	8	144123	35.104.AA	02	2
139362A1	90.154.AA	01	10	144123	35.106.AD	02	3
139363A1	90.102.AD	01	27	144173A1	35.106.AD	01	11
139768A1	05.100.01		1	144193A3	90.108.AB	01	1
139768A1	05.100.03		6	14420231	21.700.AA	01	4
139768A1	50.104.AO	01	8	14420231	21.700.AA	01	4
139865A1	82.100.AF	02	13	14420231	21.700.AA	02	4
140-103	90.160.AX	01	6	14420231	21.700.AA	02	4
140-107	35.724.AG	01	20	144509A1	39.140.AM	04	5
140-107	90.154.AA	02	5	144509A1	88.100.88	01	2
140-107	90.160.BY	01	2	14468780	25.102.AP	01	4
140-107	90.160.CK	01	14	144900A1	05.100.02		63
140-119	55.512.BY	01	2	144900A1	55.518.AT	01	3
140-119	90.114.AQ	02	14	144908A2	90.102.AD	01	23
140-119	90.114.AQ	04	14	14496831	90.116.AC	03	9
140028	35.104.AA	01	6	149939C2	37.100.AC	01	2
140028	35.104.AA	01	6	149942C1	37.100.AC	01	
140028	35.104.AA	01a	6	1530028C1	21.114.AL	03	6
140028	35.104.AA	01a	6	1530028C1	21.114.AL	03	7
140028	35.220.AD	01	4	1542874C1	35.723.AA	01	4
140028	35.723.AB	02	2	1542875C1	35.701.CB	01	4
140028	35.723.AB	03	11	1542969C1	35.701.CB	01	13
140028	35.723.AB	04	15	1543256C1	05.100.02		40
140028	55.201.AU	01	10	1543256C1	35.723.AA	01	2
140327A1	50.104.AO	01	7	16044321	33.110.AV	01	21

INDEX - INDICE - INDEX - ZAHLENVERZEICHNIS - INDICE - INDICE - INDHOLD - INHOUD

Number	Figure	Sequence	Ref.	Number	Figure	Sequence	Ref.
398668A1	90.108.AC	03	1	405837A3	35.114.AF	01	10
398672A1	90.108.AB	01	8	405838A3	35.114.AA	04	19
398673A1	90.108.AB	01	8	405838A3	35.114.AF	01	14
398674A1	90.108.AB	02	23	405839A2	35.114.AF	01	15
398675A2	55.512.CF	01	1	405842A2	35.114.AA	02	25
398676A1	90.108.AB	02	23	405842A2	35.114.AA	05	9
398847A3	05.100.02		83	406166A1	37.108.AD	01	32
399383A1	55.302.AI	01	3	408965A1	55.518.AT	01	10
399383A1	55.302.AI	02	1	410702A1	35.114.AF	01	20
399748A4	35.114.AF	01	31	410932A1	90.160.BY	01	9
399748A4	37.108.AD	01	21	411048A1	35.114.AA	04	9
399756A1	37.108.AD	01	27	411048A1	37.108.AD	01	2
400464A2	90.114.AQ	02	1	411069A1	37.108.AD	01	8
400464A2	90.114.AQ	04	11	411070A1	35.114.AA	04	11
400659A1	37.108.AD	01	22	411070A1	37.108.AD	01	10
401052A1	25.400.AQ	01	2	411159A1	37.108.AD	01	9
401054A1	25.400.AQ	01	3	411161A1	37.108.AD	01	31
401054A1	41.216.AN	02	1	411316A1	35.114.AA	02	16
401055A1	25.400.AQ	01	7	411316A1	35.114.AA	05	2
401055A1	41.216.AN	01	1	411316A1	37.100.AC	01	
401059A1	25.400.AQ	01	13	411661A1	82.300.AN	01	3
401060A1	25.400.AQ	01	14	411661A1	95.100.050	06	3
401061A1	05.100.02		41	412087	35.106.AN	03	8
401061A1	41.216.AN	01	4	412087	35.600.BH	04	10
401062A1	41.216.AN	01	3	412087	37.120.AX	01	20
401063A1	41.216.AN	01	5	412141	10.400.BF	01	26
401064A1	41.216.AN	01	6	412141	10.400.BF	01	26
401065A1	25.400.AH	01	3	412141	33.202.AR	01	8
401066A1	25.400.AH	01	4	412141	33.202.AR	01	8
401067A1	25.400.AH	01	5	412141	35.525.AA	01	3
401166A1	90.150.AB	02	1	412141	37.120.AX	01	7
402455A1	37.110.AP	01	1	412141	55.404.AC	01	8
403955A1	27.120.AF	01	16	412250	33.202.BN	01	10
404167A1	55.512.AA	01	1	412250	33.202.BN	02	2
404169A1	35.114.AA	04	10	412250	33.202.BN	02	7
404169A1	37.108.AD	01	1	412250	55.302.AG	01	4
404172A1	90.160.AX	01	1	412250	55.302.AG	02	4
404181A1	90.160.CK	01	8	412479	33.202.BN	01	12
404182A1	90.160.CK	01	7	412479	33.202.BN	02	4
404667A3	90.150.AB	02	2	413-420	90.154.AA	01	17
404692A1	90.114.AQ	04	1	413-48	90.154.AA	02	20
405512A1	35.114.AA	02	27	413-6152	90.154.AA	01	2
405512A1	35.114.AA	05	11	413-628	35.724.AG	01	4
405776A1	35.114.AA	04	14	413057A1	55.404.BS	01	15
405776A1	37.108.AD	01	13	414-724	90.120.BB	01a	7
405837A3	35.114.AA	04	20	414-724	90.151.AD	02	4

INDEX - INDICE - INDEX - ZAHLENVERZEICHNIS - INDICE - INDICE - INDHOLD - INHOUD

Number	Figure	Sequence	Ref.	Number	Figure	Sequence	Ref.
626-10016	55.510.AF	01	3	800-1150	21.140.AE	01	24
627-10030	21.700.AA	01	3	800-1150	27.120.AF	01	7
627-10030	21.700.AA	01	3	800-44040	82.100.AF	01	28
627-10030	21.700.AA	02	3	800-44040	82.100.AF	01a	30
627-10030	21.700.AA	02	3	800-44050	25.100.AA	01	3
627-20060	10.216.BA	01	4	800-44050	25.100.AA	02	3
63582	35.600.BH	02	18	800-44050	82.100.AF	01	4
637-63113	33.202.AR	01	13	800-44050	82.100.AF	01a	4
637-63113	33.202.AR	01	6	800-5145	21.140.AE	04	11
637-63113	33.202.AR	01	13	806-8016	10.400.BF	01	10
637-63113	33.202.AR	01	6	806-8016	10.400.BF	01	10
637-63153	33.202.AR	01	3	80681	35.525.AA	02	3
637-63153	33.202.AR	01	3	80682	55.518.AI	01	17
638-54825	25.102.AC	01	11	80700	55.404.CL	03	7
638-54825	25.102.AC	02	11	80702	55.518.AI	01	6
711-6025	55.202.AG	01	1	80710	35.114.AA	04	27
71100209	35.114.AA	07	3	80710	35.116.AH	01	21
712998R91	25.400.AQ	01	12	80710	35.116.AH	03	19
76085536	25.400.AM	01	10	80710	35.116.AH	04	19
76344	35.104.AA	02a	8	80710	37.120.AX	01	8
76344	35.106.AD	02a	19	80714	35.525.AA	02	7
76344	35.106.AN	03	2	80719	35.116.AH	01	22
76344	35.114.AA	02	2	80719	35.116.AH	03	20
76344	35.114.AA	04	4	80719	35.116.AH	04	20
76344	35.525.AI	01	4	811-8020	10.500.AO	01	10
76344	35.600.BH	04	6	814-10060	35.723.AA	02	33
76344	41.200.BD	01	16	814-10080	35.701.AA	01	4
76344	41.200.BD	03	16	814-10080	35.701.BQ	01	6
76344	41.910.AA	01	12	814-10080	35.723.AA	02	28
76344	41.910.AA	01	12	814-10090	10.414.AC	01	4
76344	41.910.AA	01a	12	814-10090	35.723.AA	02	21
76344	41.910.AA	01a	12	814-10150	21.114.AL	03	27
76347	35.114.AA	04	23	814-10220	10.400.BF	01	25
76347	35.114.AF	01	11	814-10220	10.400.BF	01	25
76350	35.104.AA	04	13	814-12100	90.102.AD	01	8
76350	35.114.AA	04	17	814-6050	90.160.BY	01	15
76350	35.525.AI	01	6	814-6090	35.359.AB	03	2
76350	37.108.AD	01	19	814-6090	35.359.AB	05	2
76350	41.910.AA	01	6	814-8035	10.500.AO	01	9
76350	41.910.AA	01	6	814-8045	90.154.AA	03	16
76350	41.910.AA	01a	6	814-8050	90.116.AC	01	5
76350	41.910.AA	01a	6	814-8050	90.116.AC	02	5
781-24820	90.114.AQ	02	9	814-8060	21.100.AS	01	19
781-24820	90.114.AQ	04	4	814-8060	21.130.AZ	02	5
79081900	05.100.02		50	814-8060	90.116.AC	02	11
800-1130	21.140.AE	01	27	814-8060	90.116.AP	01	6

CLICK HERE TO **DOWNLOAD** THE COMPLETE MANUAL

- Thank you very much for reading the preview of the manual.
- You can download the complete manual from: www.heydownloads.com by clicking the link below



- Please note: If there is no response to CLICKING the link, please download this PDF first and then click on it.

CLICK HERE TO **DOWNLOAD** THE COMPLETE MANUAL