

All rights reserved by **CNHi**.

The information contained in this catalogue is intended to be of a general nature only. **CNHi** may at any time and from time to time, for technical or other necessary reasons, modify any of the details or specifications of the product described in this catalogue.

To be sure of getting accurate, detailed and up-to-date information, an intending buyer should consult his nearest **CNHi** dealer or distributor.

Single item numeration method used in this catalogue may not be used without written consent from **CNHi**.

CLICK HERE TO **DOWNLOAD** THE COMPLETE MANUAL

- Thank you very much for reading the preview of the manual.
- You can download the complete manual from: www.heydownloads.com by clicking the link below



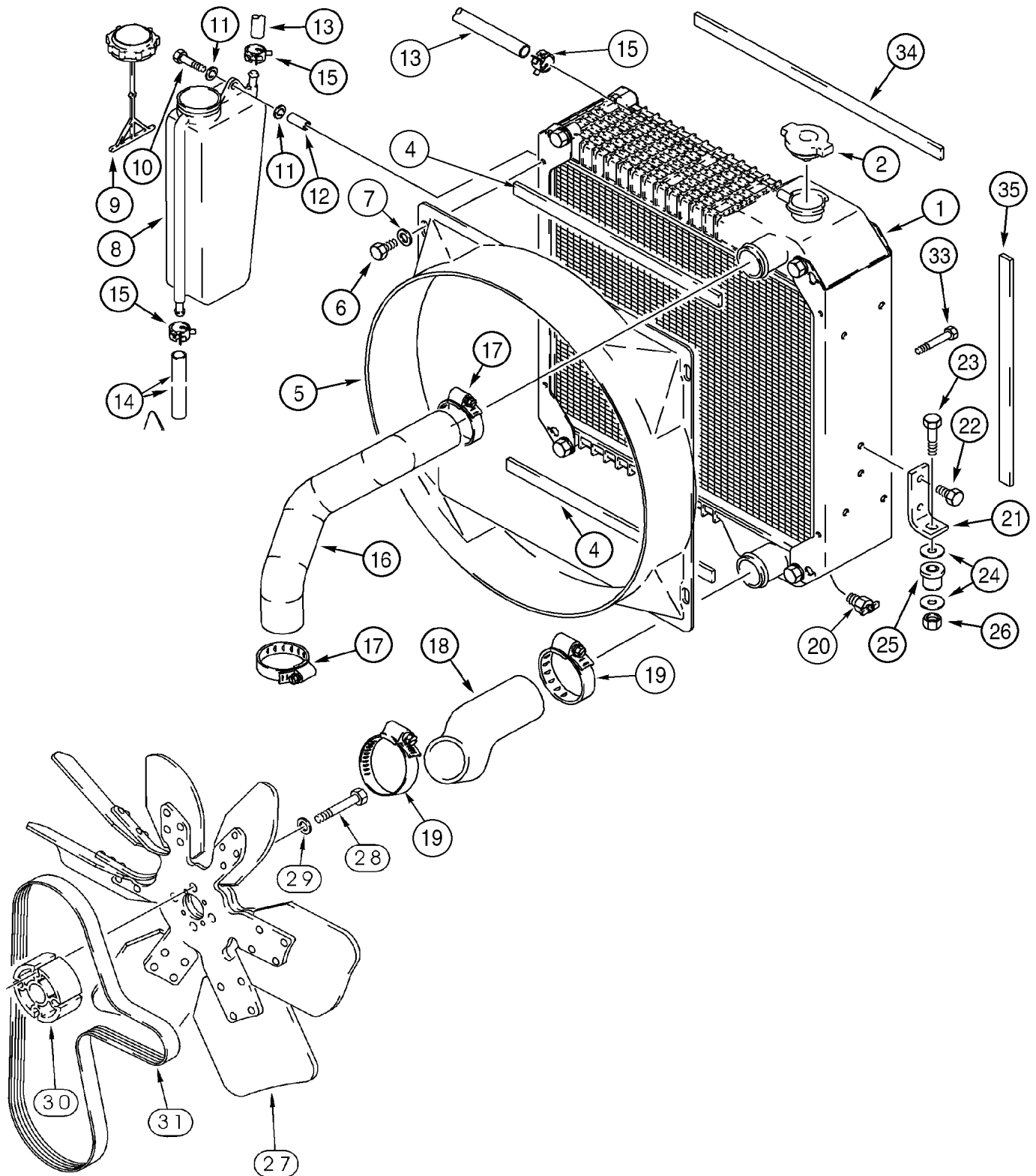
- Please note: If there is no response to CLICKING the link, please download this PDF first and then click on it.

CLICK HERE TO **DOWNLOAD** THE COMPLETE MANUAL

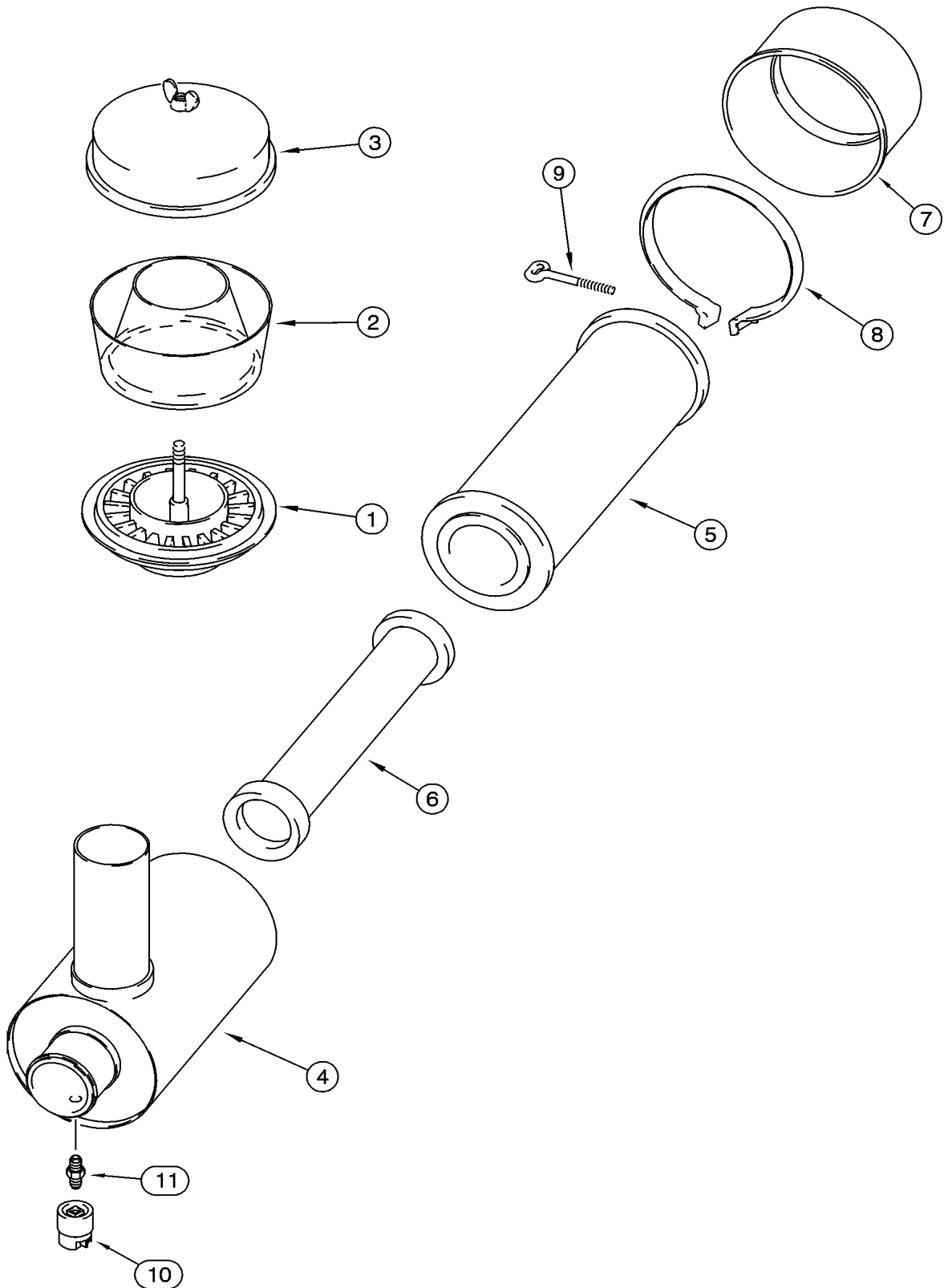
TABLE OF CONTENTS

| | | |
|-----------|----|--|
| 09-55 | | CANOPY, ROPS - FRAME (SHORT ROPS CANOPY WITH MINIMAL ROOF) |
| 09-56 | | CANOPY, ROPS - HANDLE, GRAB |
| 09-57 | | MIRROR, REAR VIEW - MOUNTING (CAB MODELS) |
| 09-58 | | SLOW MOVING VEHICLE EMBLEM |
| 09-59 | | DECALS |
| 09-60 | | DECALS |
| 09-61 | | DECALS - ENGLISH |
| 09-62 | | DECALS - LATIN AMERICAN SPANISH |
| 09-63 | | DECALS - CANADIAN FRENCH |
| 09-64 | | DECALS - ENGLISH |
| 09-65 | | DECALS - LATIN AMERICAN SPANISH |
| 09-66 | | DECALS - CANADIAN FRENCH |
| 05.100.03 | | FILTERS & CAPACITIES, 570MXT 2WD TURBO |
| 05.100.03 | 01 | FILTERS & CAPACITIES, 570MXT 4WD |
| 05.100.03 | 02 | FILTERS & CAPACITIES, 570MXT 4WD TURBO |
| 05.100.03 | 03 | FILTERS & CAPACITIES, 570MXT 2WD |

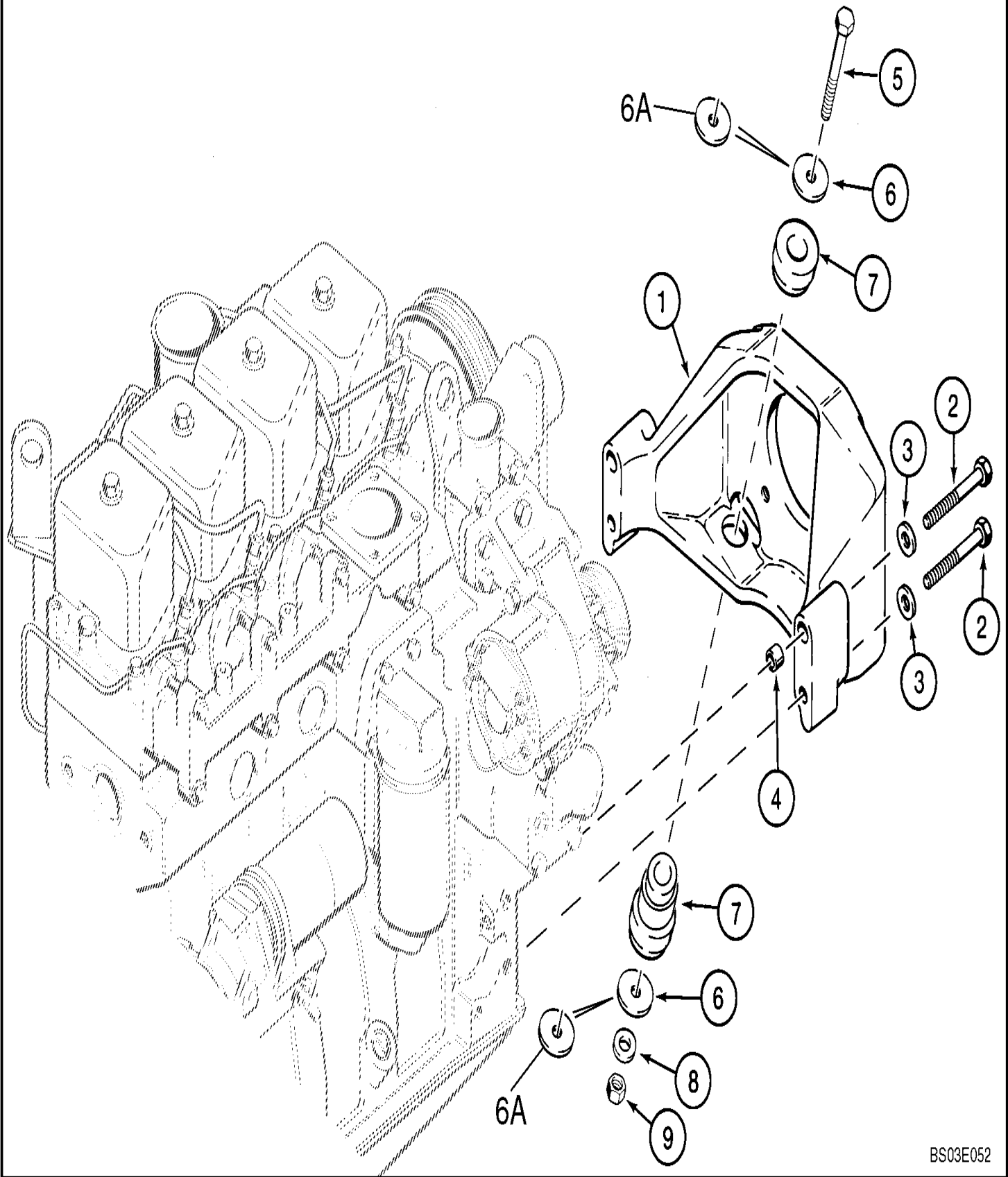
RADIATOR - MOUNTING (383355A2 OIL COOLER)



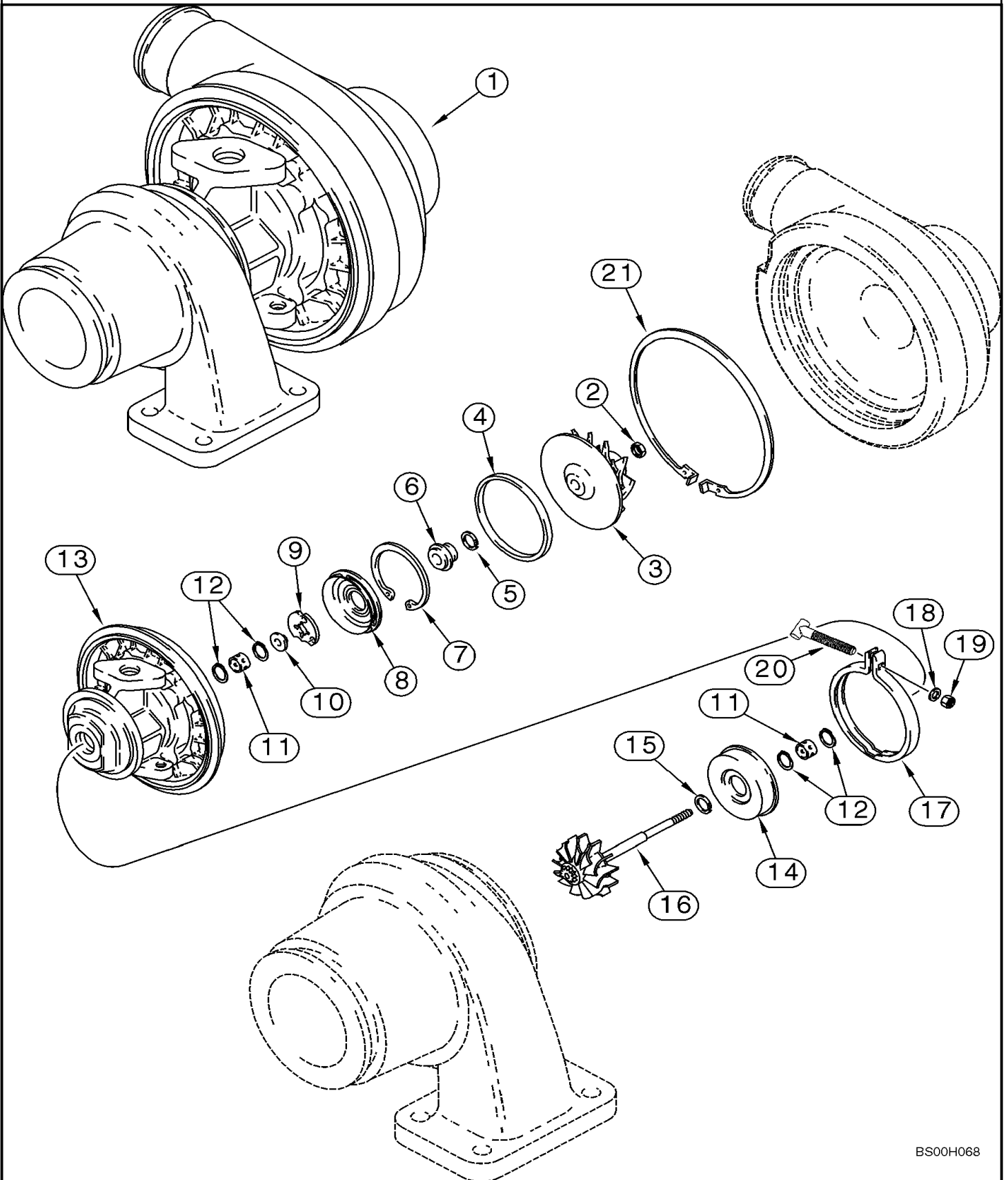
AIR CLEANER - PRECLEANER ASSY (MODELS WITHOUT TURBOCHARGED ENGINE)



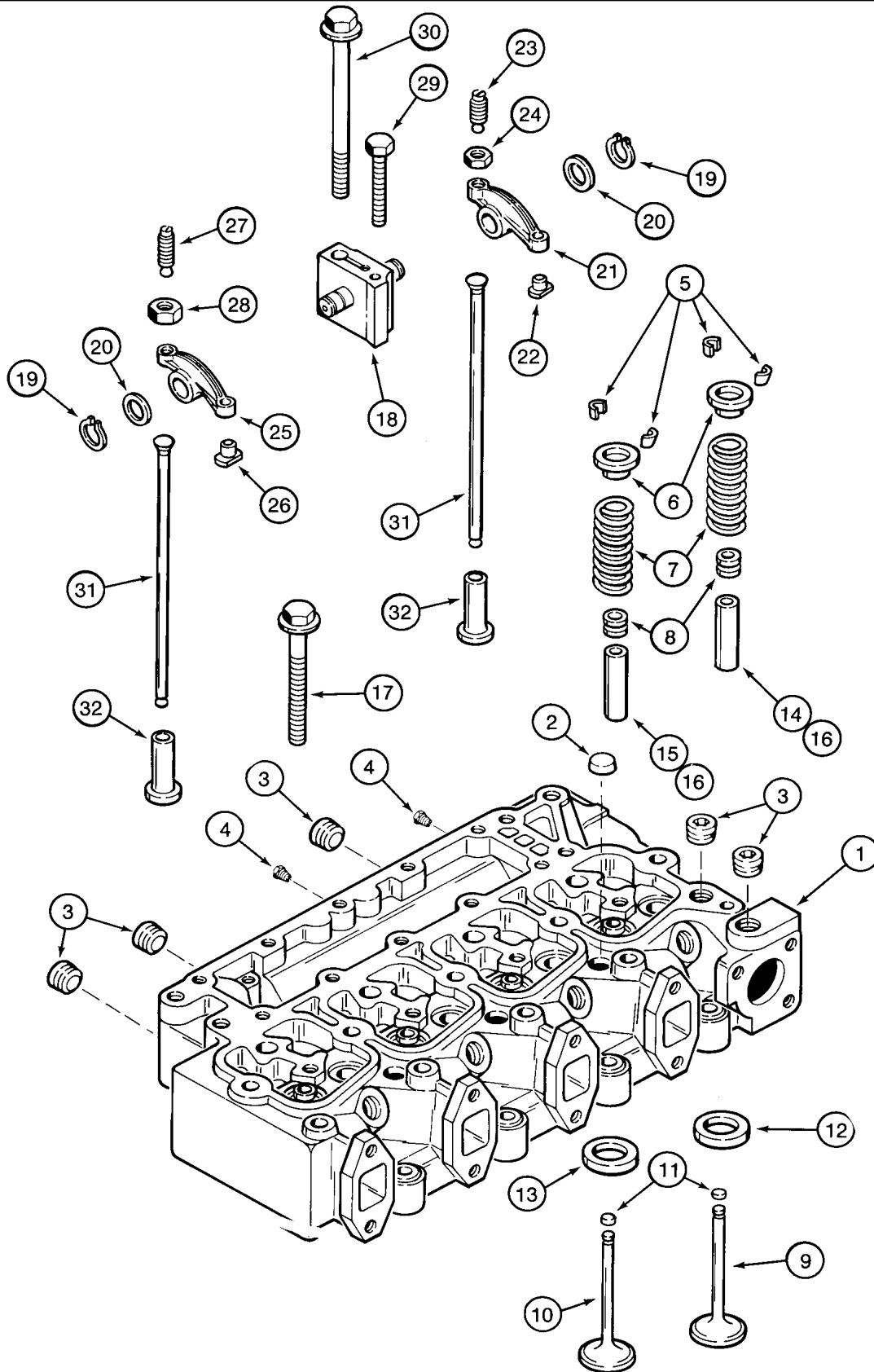
ENGINE - MOUNTING



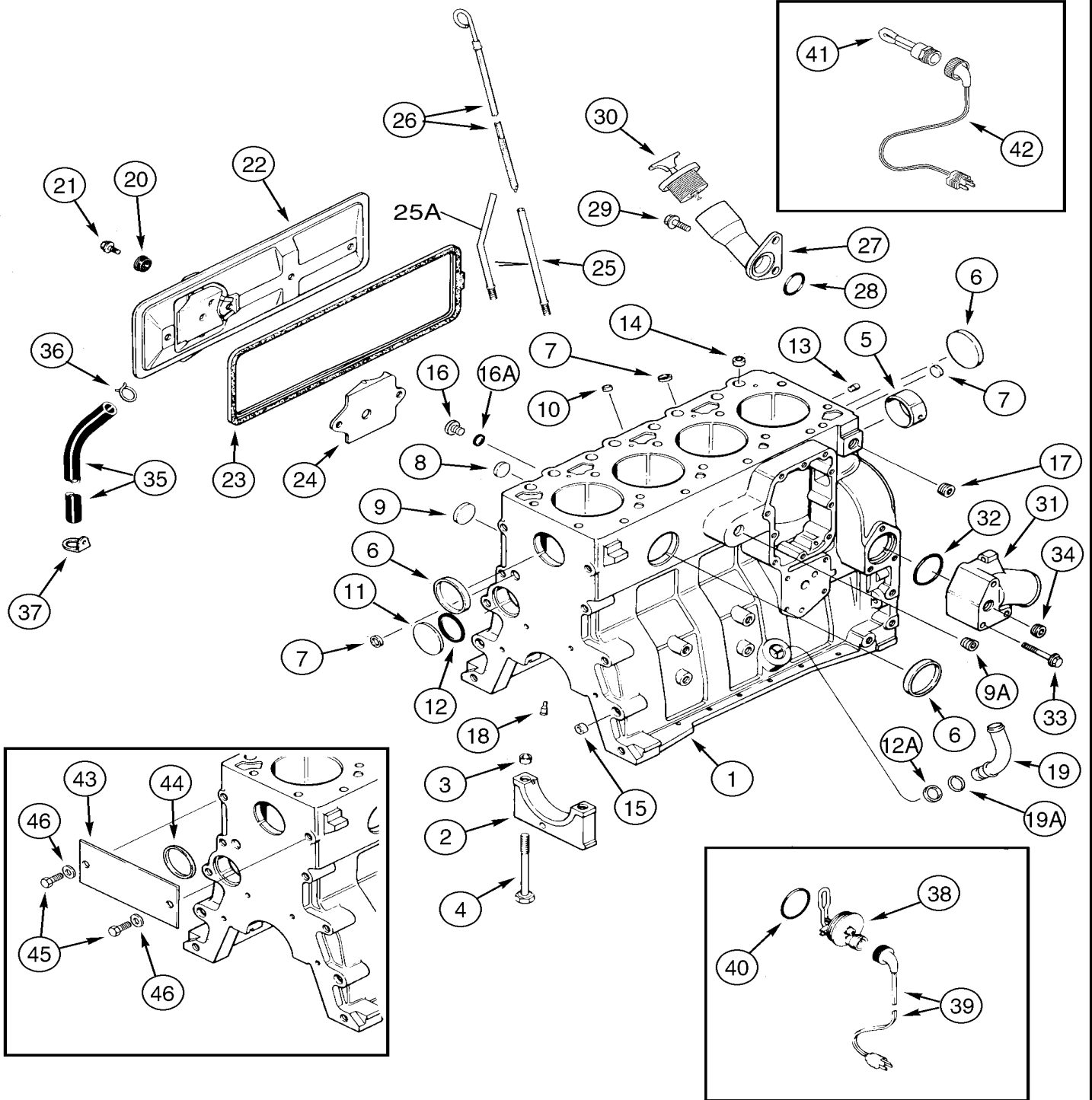
TURBOCHARGER ASSY - 4T-390 EMISSIONS CERTIFIED ENGINE



CYLINDER HEAD AND VALVE MECHANISM - 4-390 EMISSIONS CERTIFIED ENGINE



CYLINDER BLOCK - 4T-390 EMISSIONS CERTIFIED ENGINE

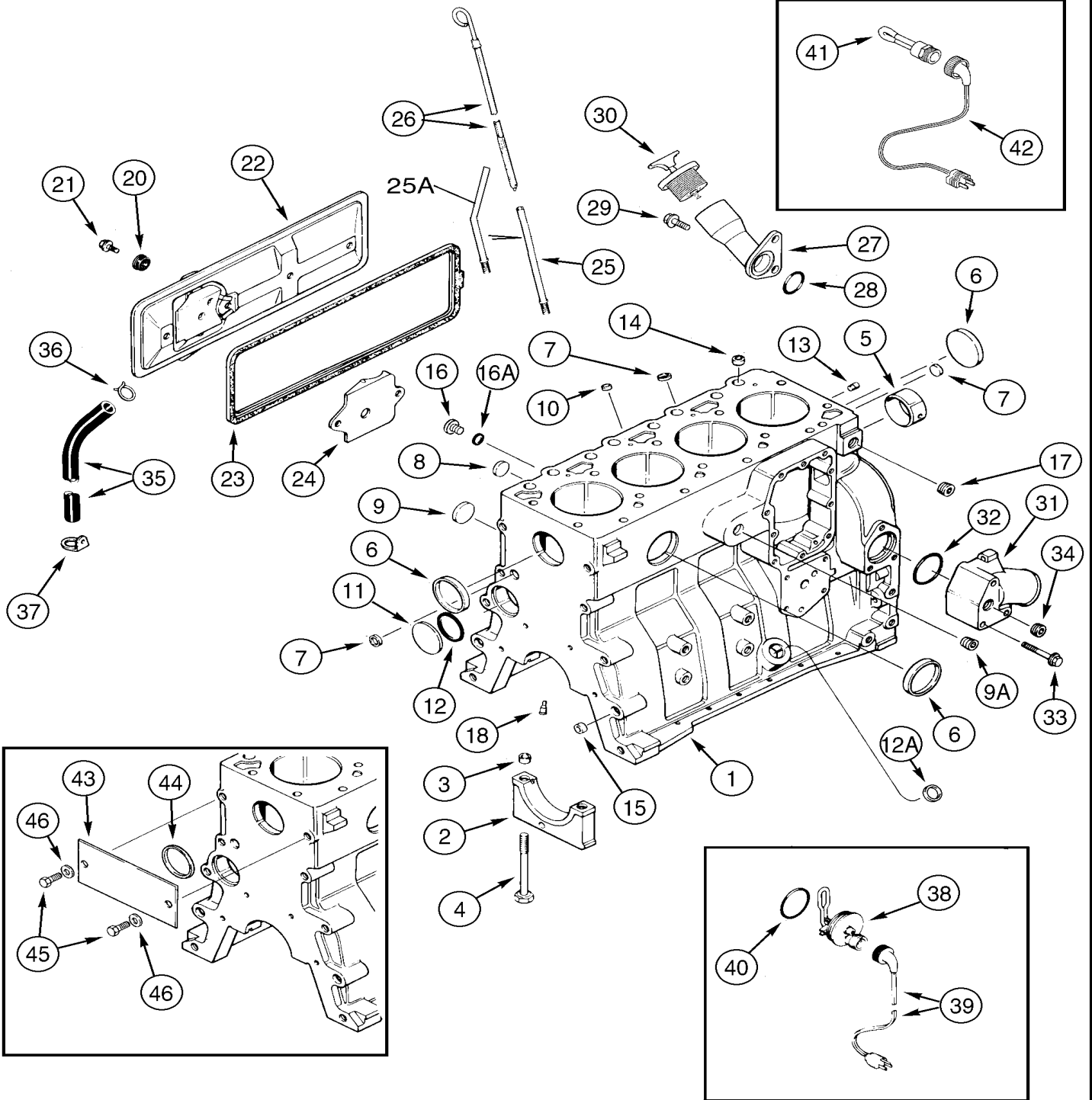


BS03E008

Note: Basic engines and reman engines are generic engines, all parts are not supplied with the engines. Check the configuration of the engine being removed, with the configuration of the engine being installed. For any components not supplied with the engine being installed, reuse those parts from the engine that has just been removed. Do not return the old engine, until the unit is reassembled.

234277A2R Exchange/Remanufactured Engine Does Not Include J934636 Fuel Pump Drive Gear

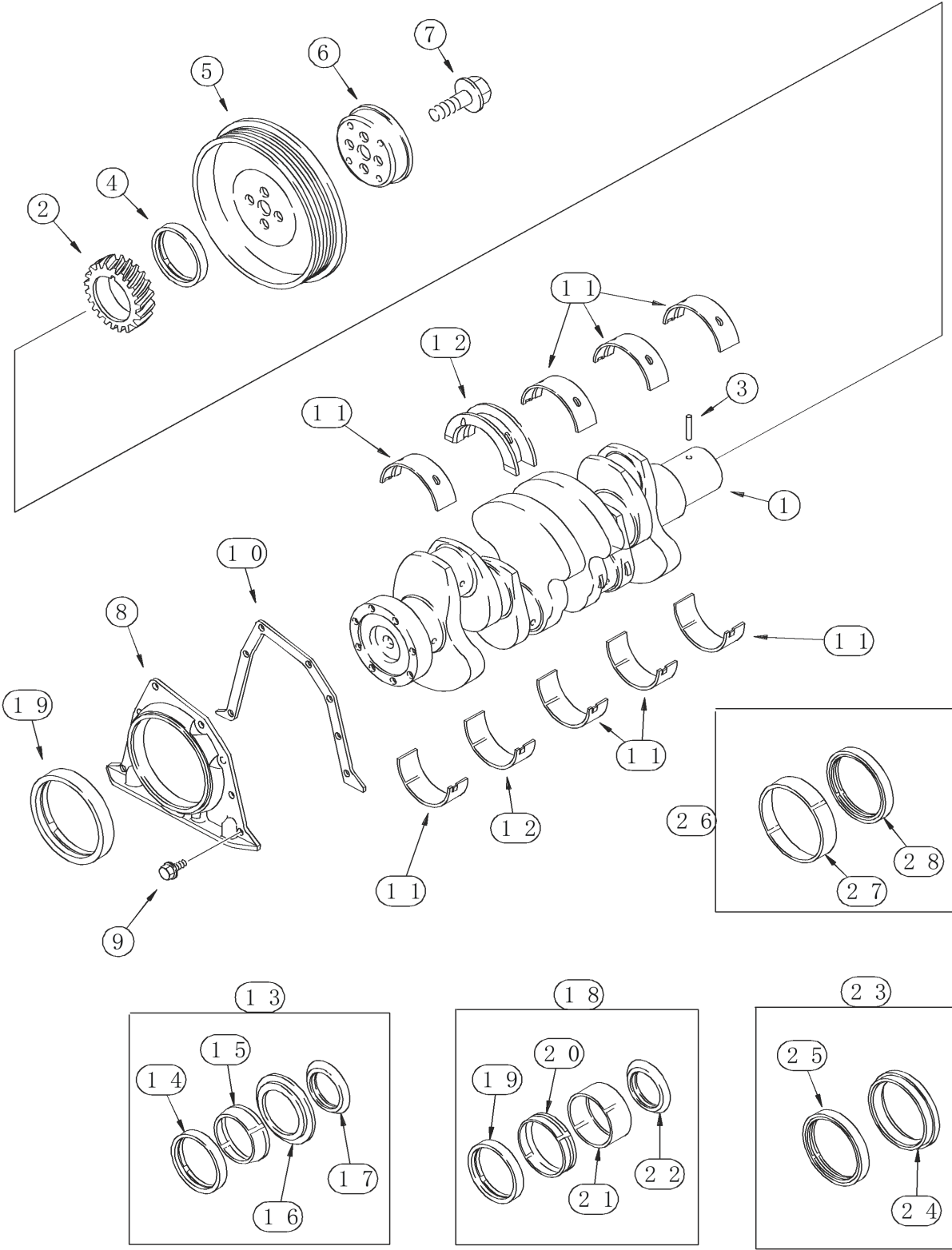
CYLINDER BLOCK - 4-390 EMISSIONS CERTIFIED ENGINE



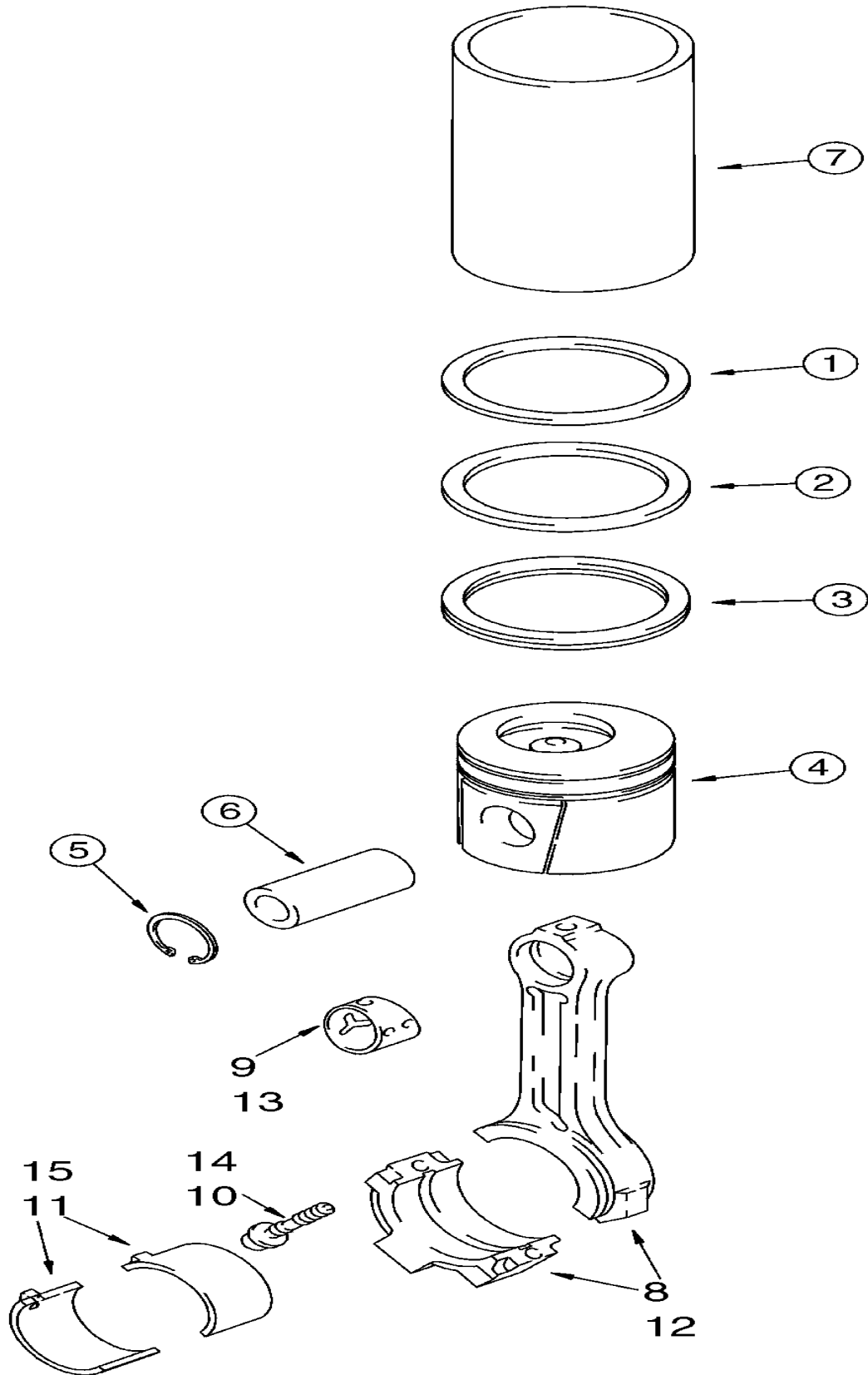
BS03E009

Note: Basic engines and reman engines are generic engines. The engines are complete internally; however, externally all parts are not supplied with the engines. Check the configuration of the engine being removed, with the configuration of the engine being installed. For any external components not supplied with the engine being installed, reuse those parts from the engine that has just been removed. Do not return the old engine, until the unit is reassembled.

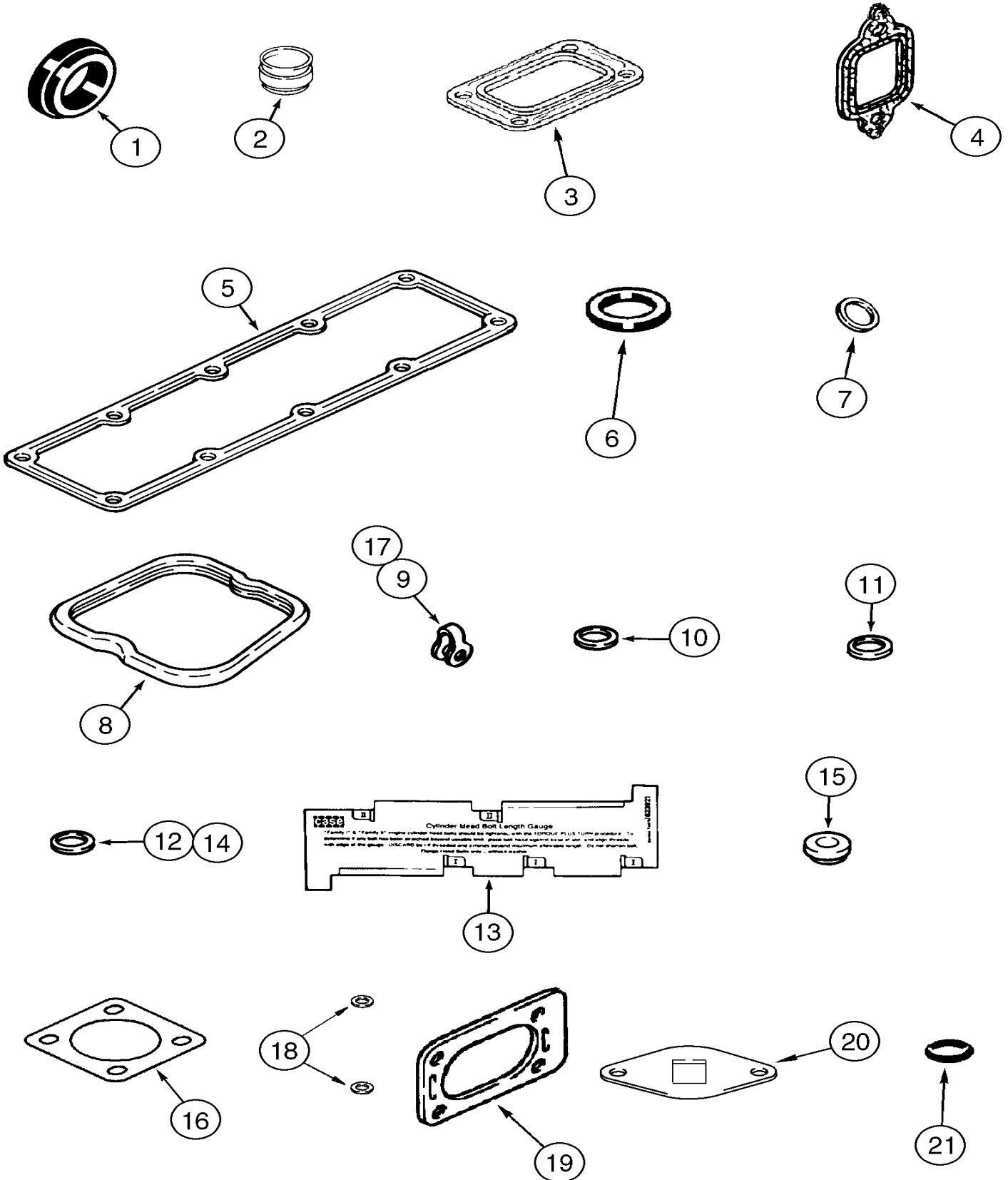
CRANKSHAFT - 4-390/4T-390 EMISSIONS CERTIFIED ENGINE



PISTONS AND CONNECTING ROD - 4T-390 EMISSIONS CERTIFIED ENGINE



GASKET KIT, VALVE GRIND - 4-390/4T-390 EMISSIONS CERTIFIED ENGINE

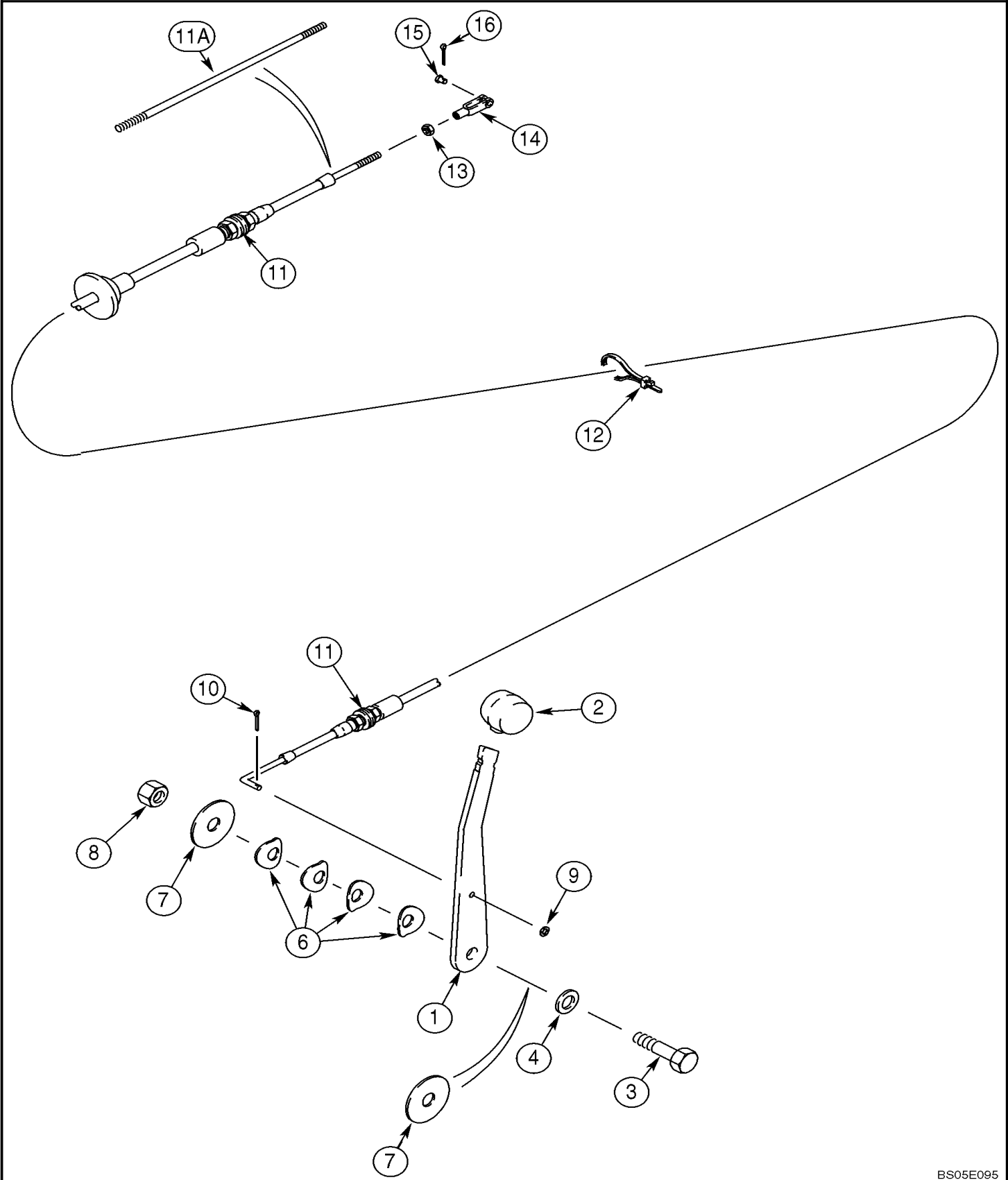


SECTION INDEX

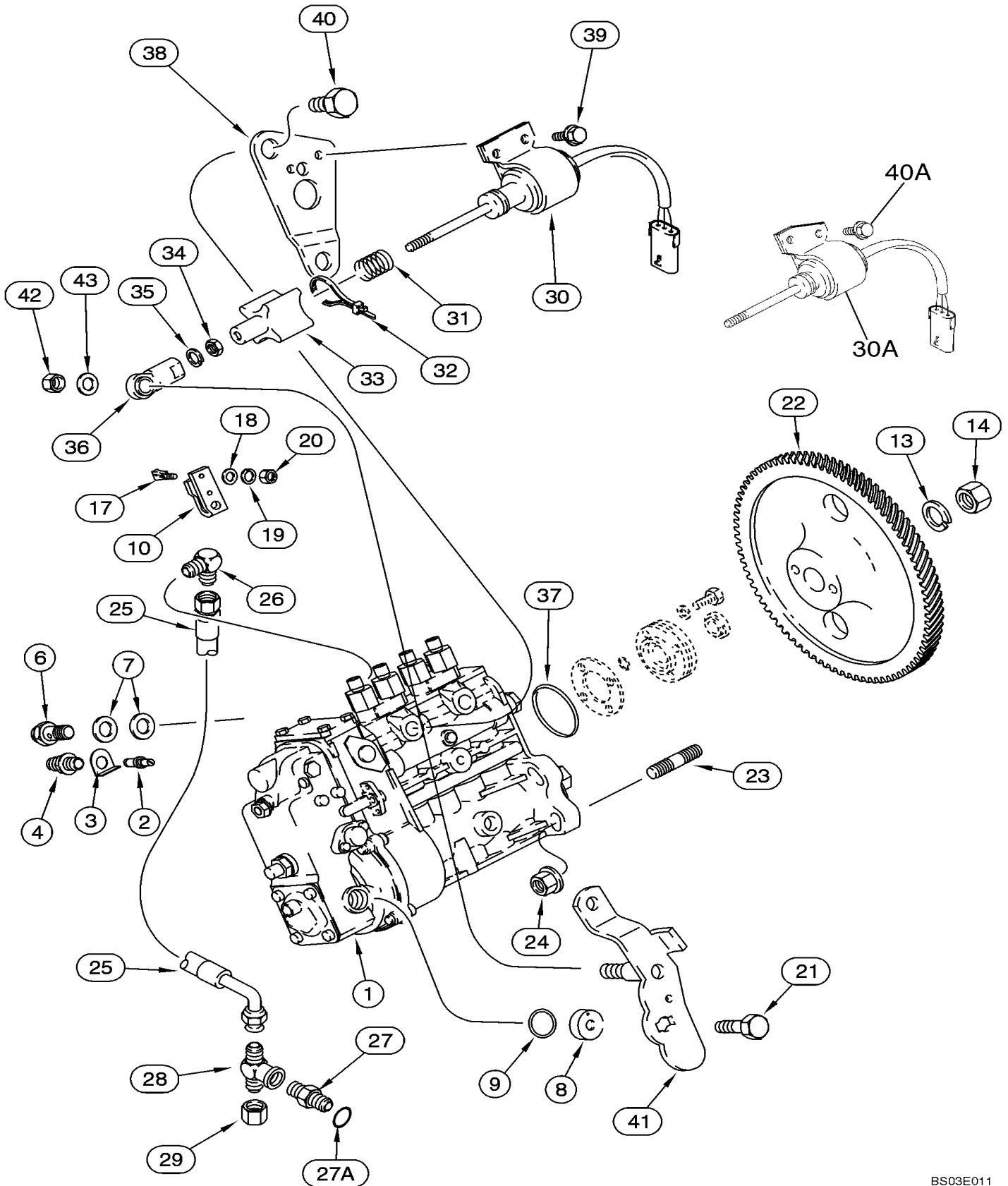
FUEL SYSTEM

| | |
|-------|---|
| 03-01 | FUEL LINES, RESERVOIR - FILTER, IN-LINE FUEL |
| 03-02 | CONTROLS - THROTTLE, HAND |
| 03-03 | CONTROLS - THROTTLE, FOOT |
| 03-04 | FUEL INJECTION SYSTEM - 4-390/4T-390 EMISSIONS CERTIFIED ENGINE |
| 03-05 | FUEL FILTER - 4-390/4T-390 EMISSIONS CERTIFIED ENGINE |
| 03-06 | FUEL INJECTION PUMP AND DRIVE - 4-390/4T-390 EMISSIONS CERTIFIED ENGINE |
| 03-07 | FUEL INJECTION NOZZLE - 4-390/4T-390 EMISSIONS CERTIFIED ENGINE |

CONTROLS - THROTTLE, HAND



FUEL INJECTION PUMP AND DRIVE - 4-390/4T-390 EMISSIONS CERTIFIED ENGINE

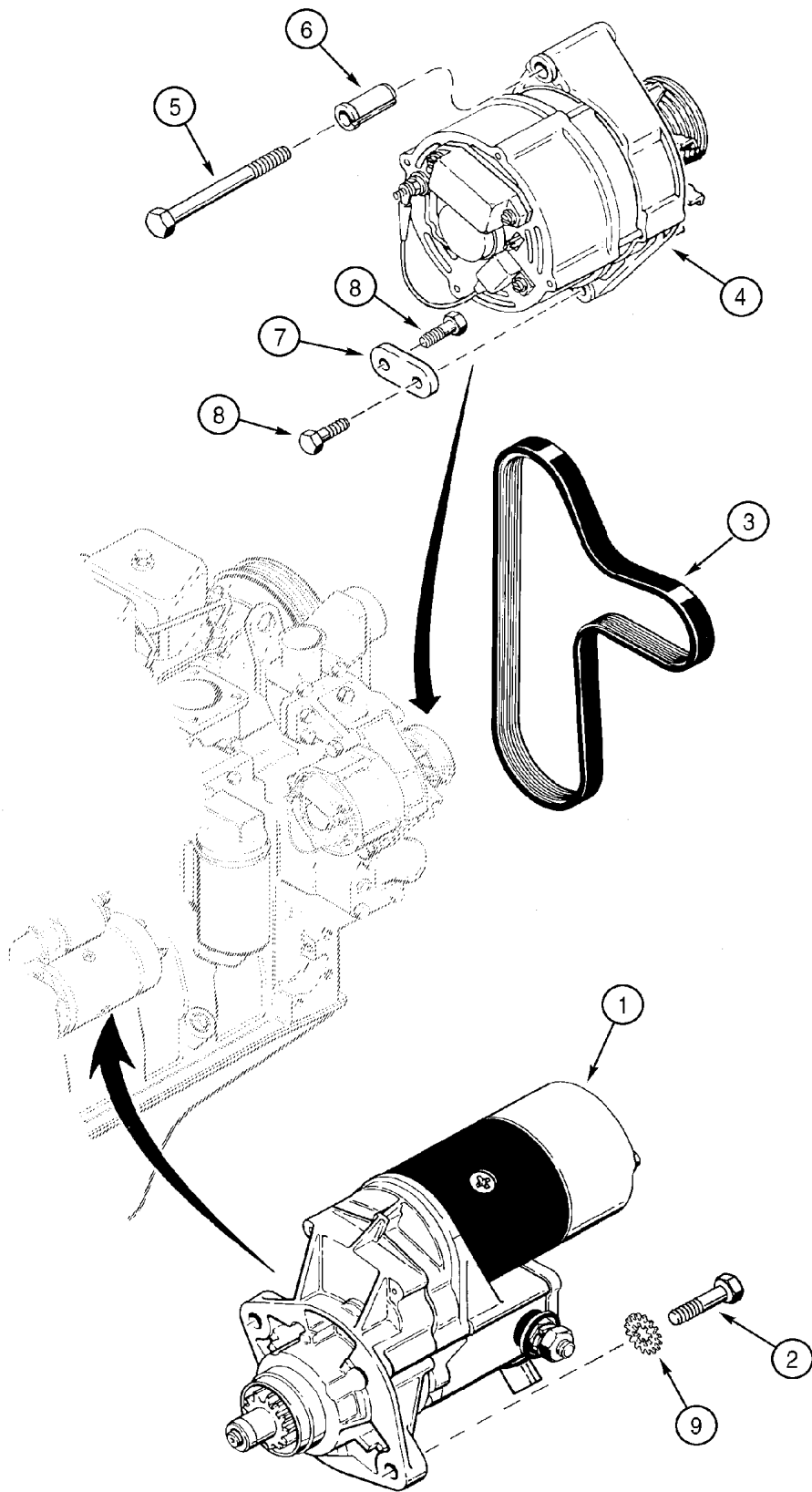


SECTION INDEX

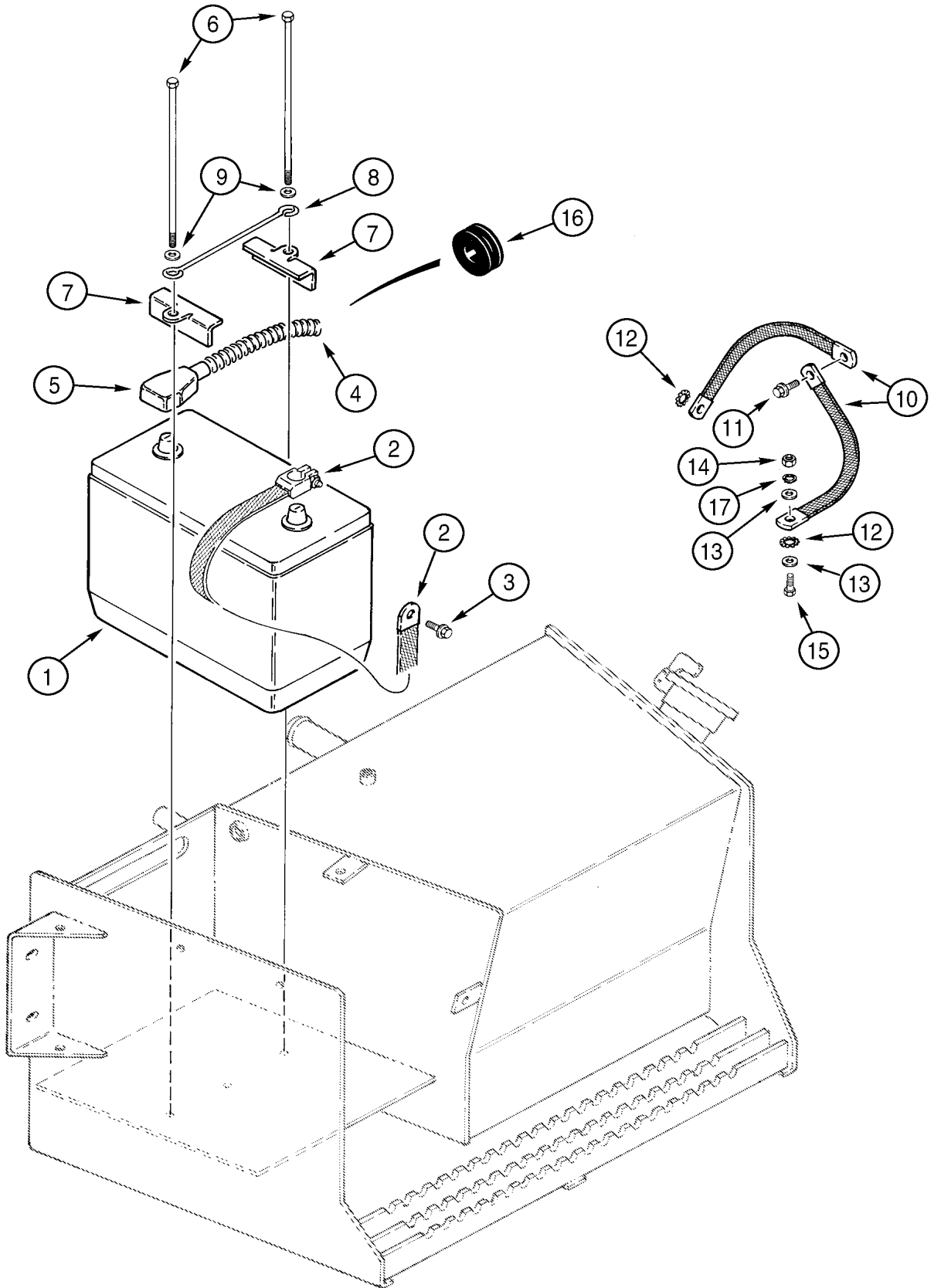
ELECTRICAL SYSTEMS

| | | |
|-------|----|---|
| 04-01 | | STARTER |
| 04-02 | | ALTERNATOR |
| 04-03 | | STARTER MOUNTING - ALTERNATOR MOUNTING |
| 04-04 | | HARNESS, ENGINE - MOUNTING AND CONNECTIONS |
| 04-05 | | BATTERY - CABLES |
| 04-06 | | BATTERY, DUAL - COLD START |
| 04-07 | | HARNESS, FRONT CONSOLE AND SWITCHES |
| 04-08 | | HARNESS, SIDE CONSOLE - MOUNTING AND CONNECTIONS |
| 04-08 | 02 | KIT RELAY 12V , 5A |
| 04-09 | | HARNESS, SIDE CONSOLE - SWITCHES |
| 04-10 | | INSTRUMENT PANEL, FRONT - COVERS |
| 04-11 | | INSTRUMENT PANEL, SIDE - SWITCHES AND COVERS |
| 04-12 | | INSTRUMENT CLUSTER |
| 04-13 | | ELECTRICAL - LAMPS, ROPS CANOPY (STANDARD) |
| 04-14 | | ELECTRICAL - LAMPS, SHORT ROPS CANOPY WITH MINIMAL ROOF |
| 04-15 | | ELECTRICAL - LAMPS, ROPS CAB |
| 04-16 | | LAMP ASSY - ROPS CANOPY MODELS |
| 04-17 | | LAMP ASSY- ROPS CANOPY MODELS |
| 04-18 | | LAMP ASSY - CAB MODELS |
| 04-19 | | HORN - ALARM, BACKUP |
| 04-20 | | BEACON, ROTATING |
| 04-21 | | ANTENNA, RADIO - HARNESS, RADIO |

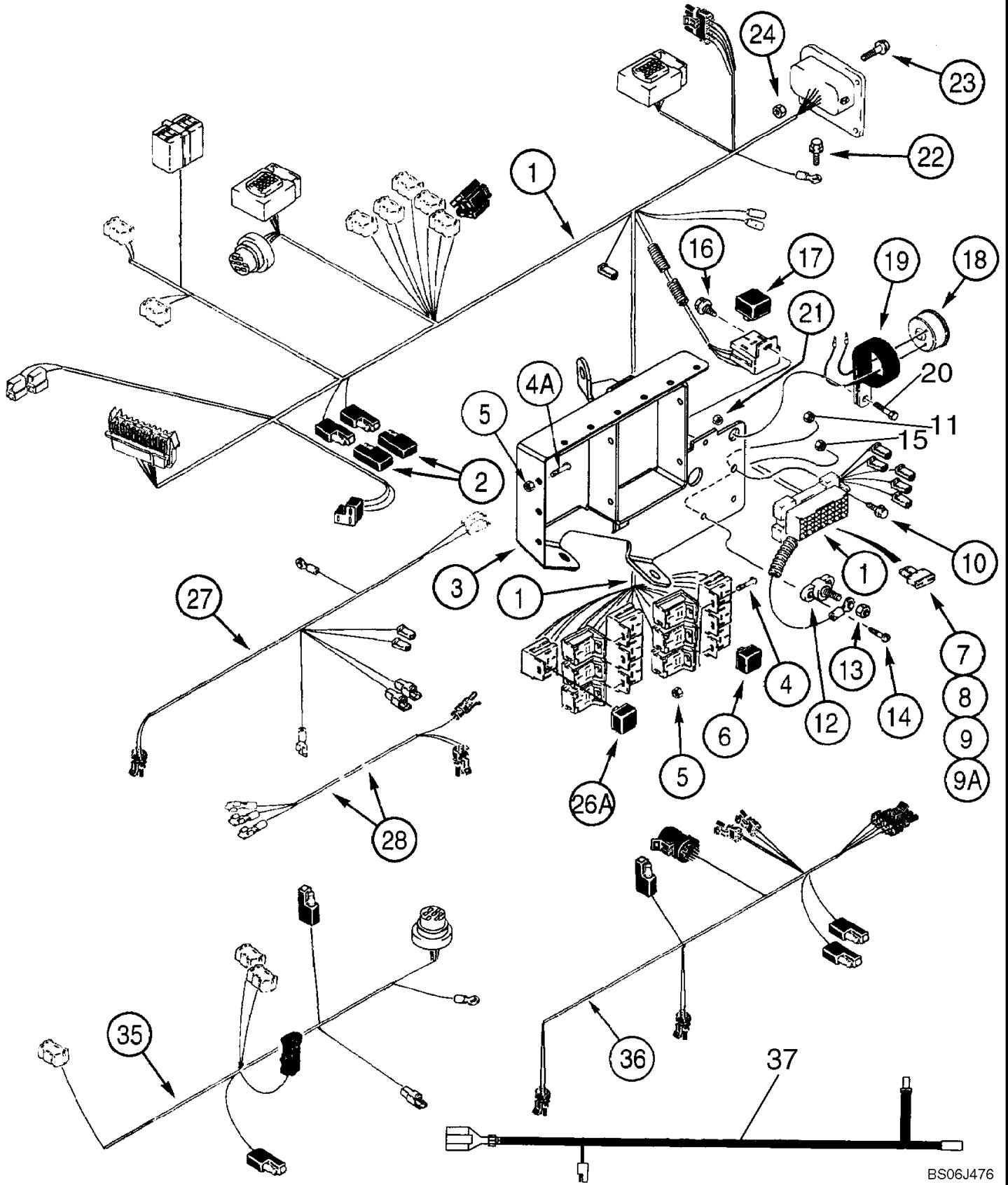
STARTER MOUNTING - ALTERNATOR MOUNTING



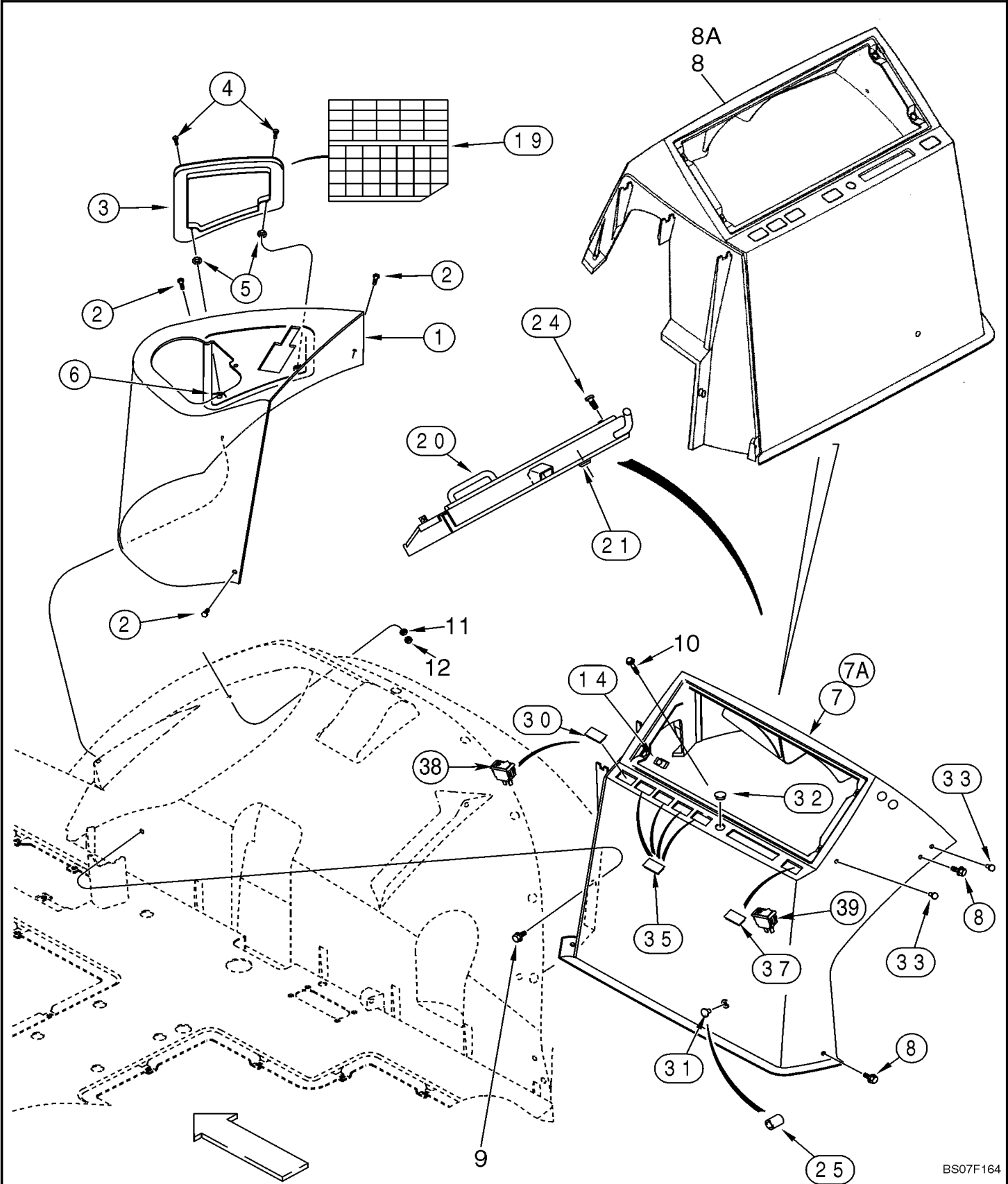
BATTERY - CABLES



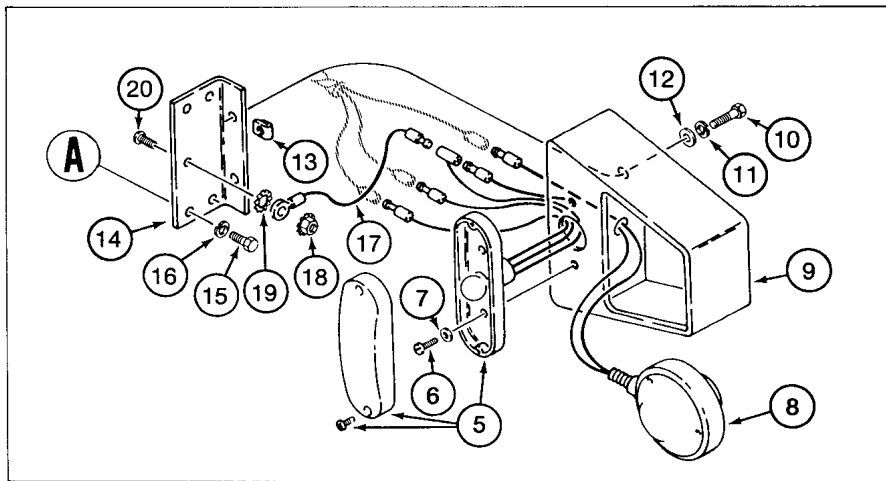
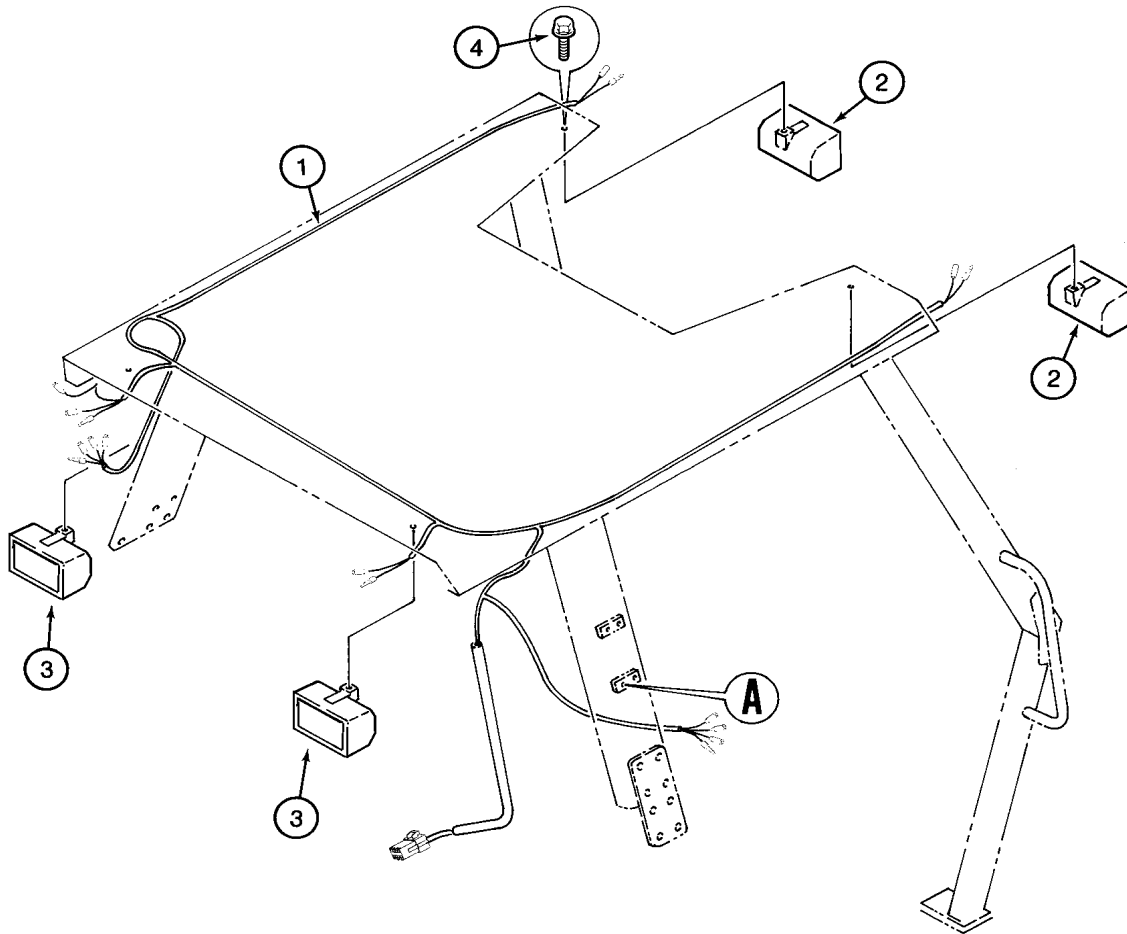
HARNESS, SIDE CONSOLE - MOUNTING AND CONNECTIONS



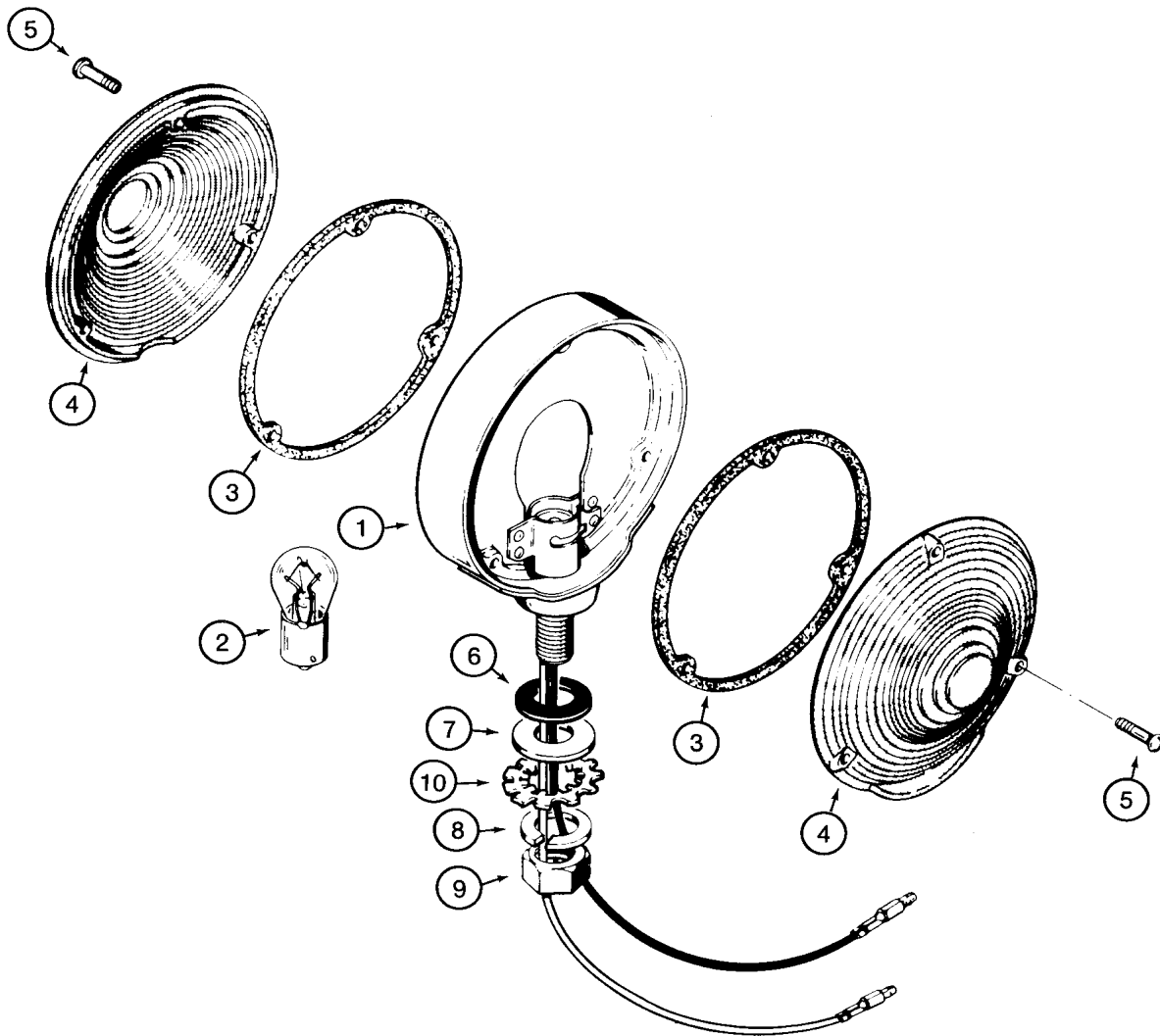
INSTRUMENT PANEL, SIDE - SWITCHES AND COVERS



ELECTRICAL - LAMPS, SHORT ROPS CANOPY WITH MINIMAL ROOF



LAMP ASSY- ROPS CANOPY MODELS

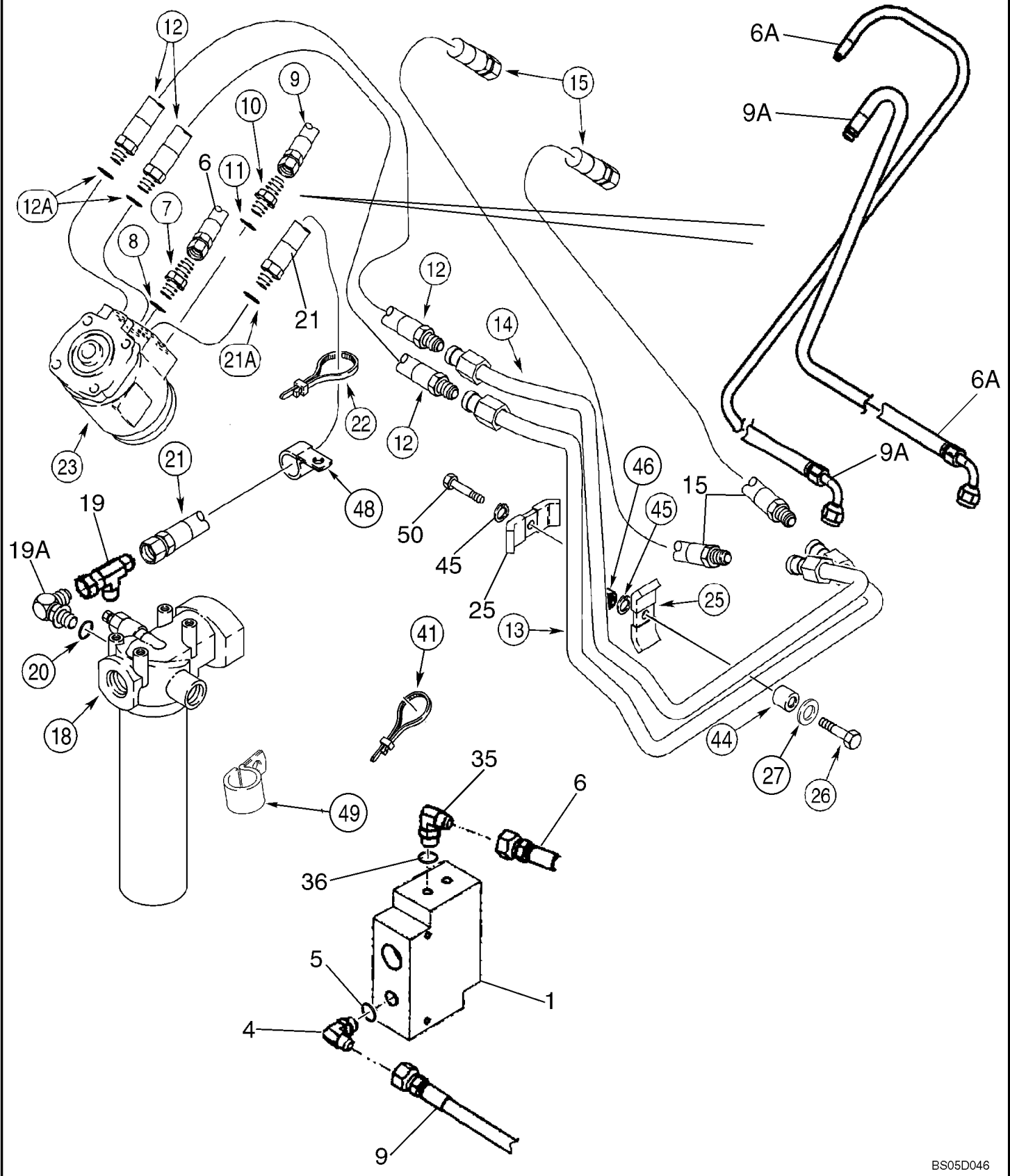


SECTION INDEX

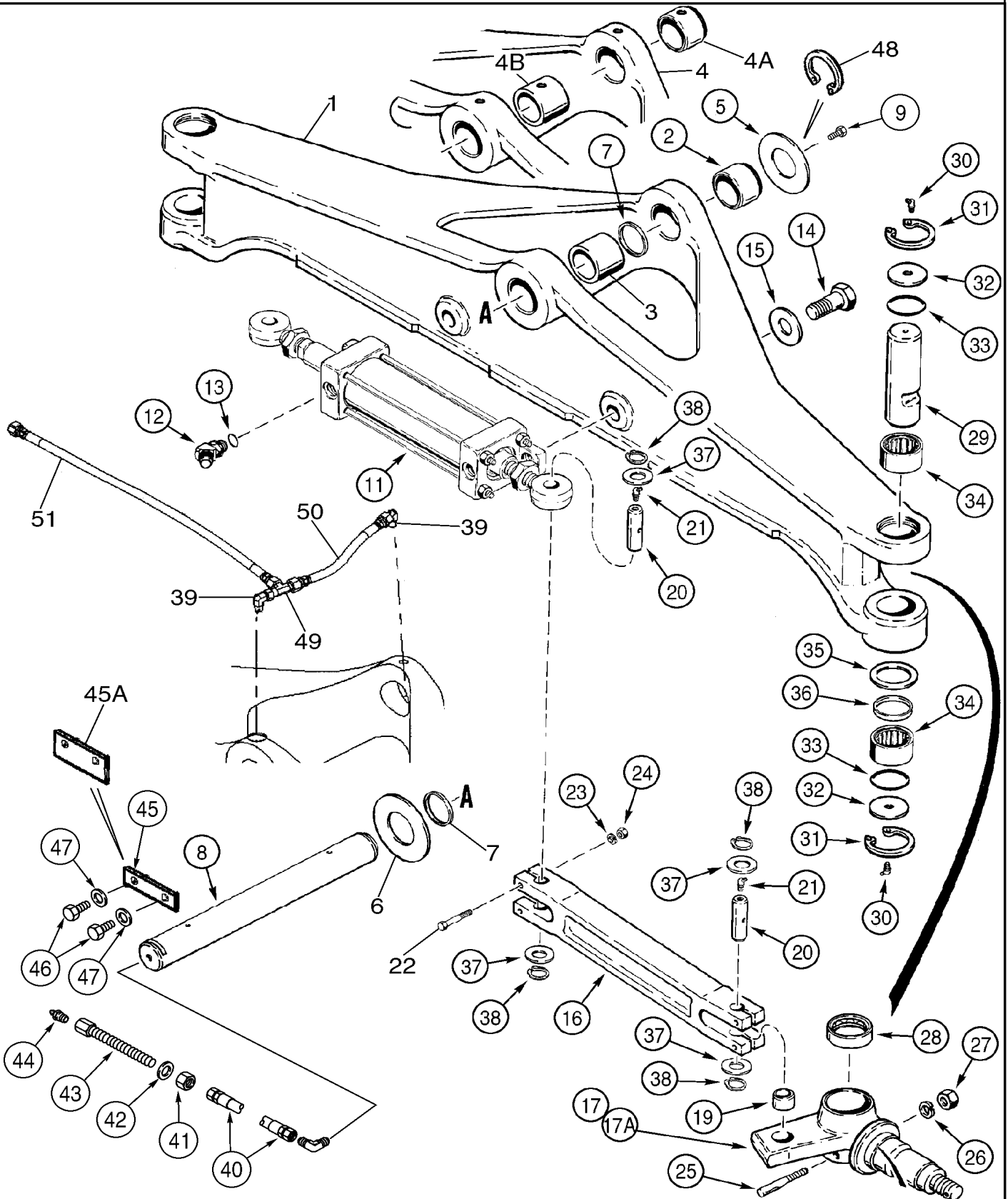
STEERING

| | |
|--------|--|
| 05-01 | STEERING WHEEL - COLUMN |
| 05-02 | HYDRAULICS - STEERING (MODELS WITHOUT HUSCO LOADER VALVE) |
| 05-02A | HYDRAULICS - STEERING (MODELS WITH HUSCO LOADER VALVE) |
| 05-03 | STEERING COLUMN |
| 05-04 | CYLINDER ASSY - STEERING (D138954 / 437320A1 FRONT AXLE) (IF USED) |
| 05-05 | AXLE, FRONT (D138954 / 437320A1) - SPINDLES (IF USED) |
| 05-06 | AXLE, FRONT (D138954 / 437320A1) - HUB AND BEARINGS (IF USED) |
| 05-07 | AXLE, FRONT (429229A1 / 86990837) - MOUNTING (IF USED) |
| 05-08 | AXLE, FRONT (429229A1 / 86990837) - HOUSING (IF USED) |
| 05-09 | AXLE, FRONT (429229A1 / 86990837) - HOUSING, SWIVEL (IF USED) |
| 05-10 | AXLE, FRONT (429229A1 / 86990837) - CYLINDER, STEERING (IF USED) |
| 05-11 | AXLE, FRONT (429229A1 / 86990837) - HUB AND BEARINGS (IF USED) |
| 05-12 | WHEELS, FRONT - TIRES |

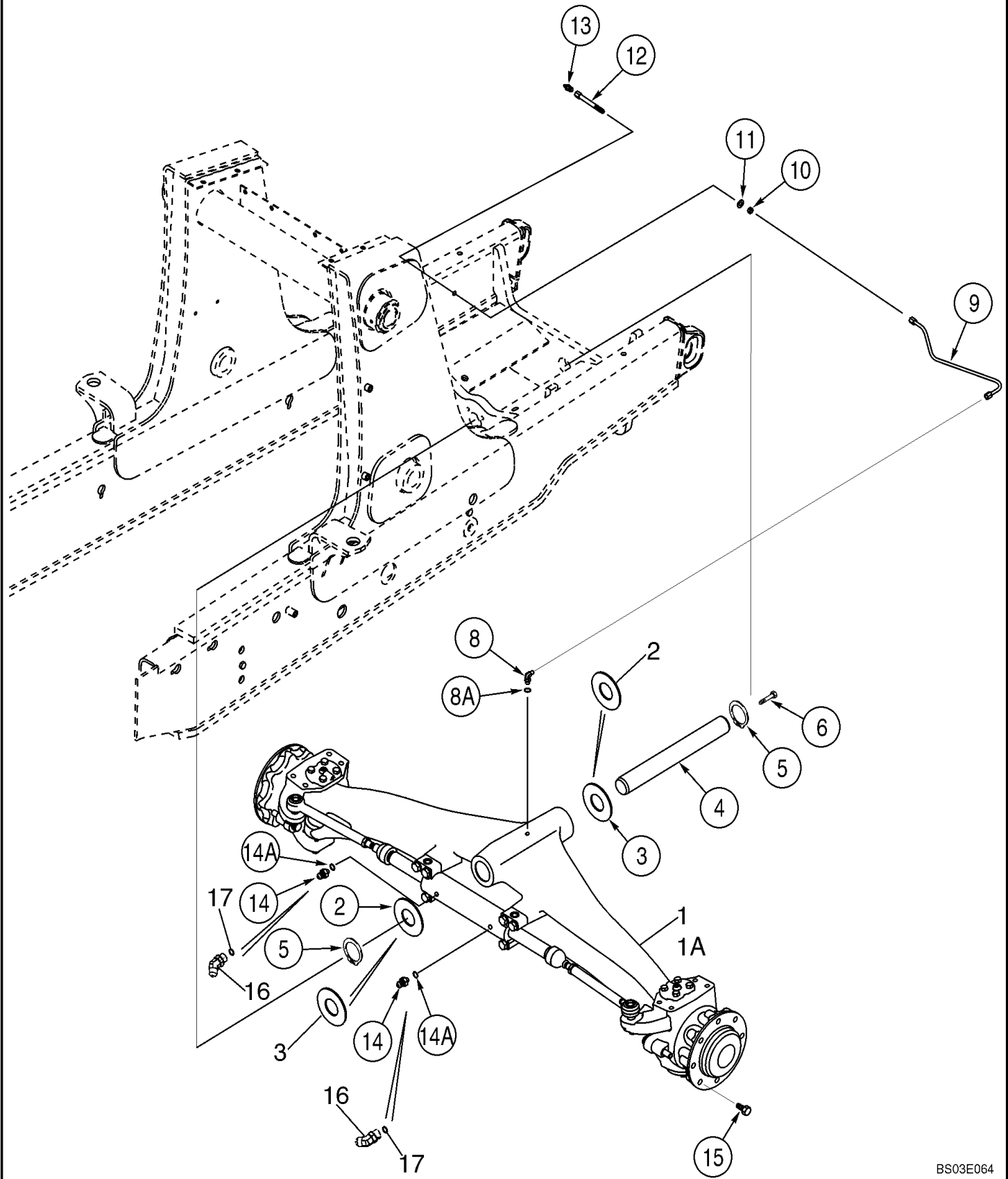
HYDRAULICS - STEERING (MODELS WITH HUSCO LOADER VALVE)



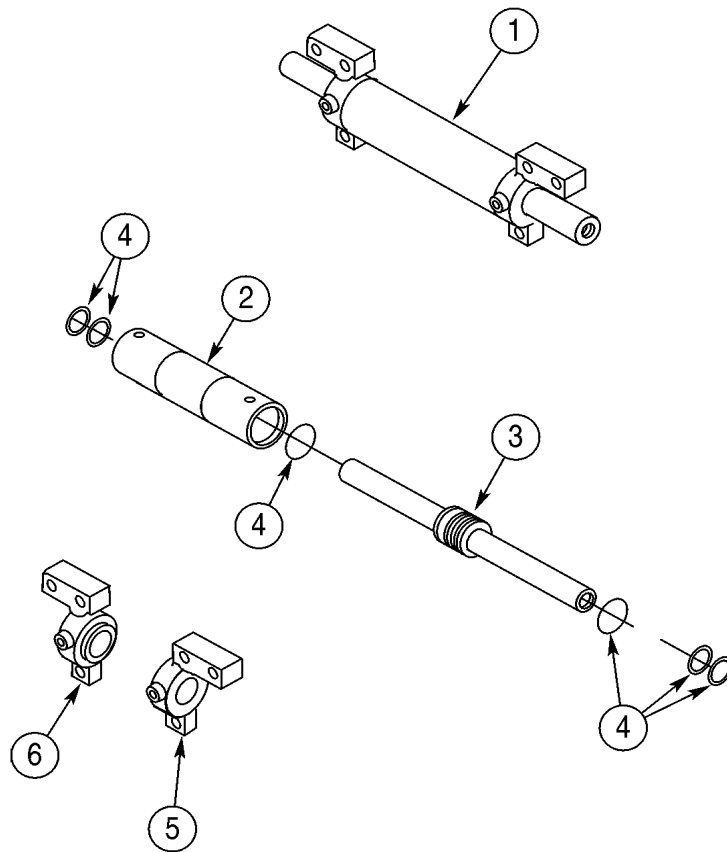
AXLE, FRONT (D138954 / 437320A1) - SPINDLES (IF USED)



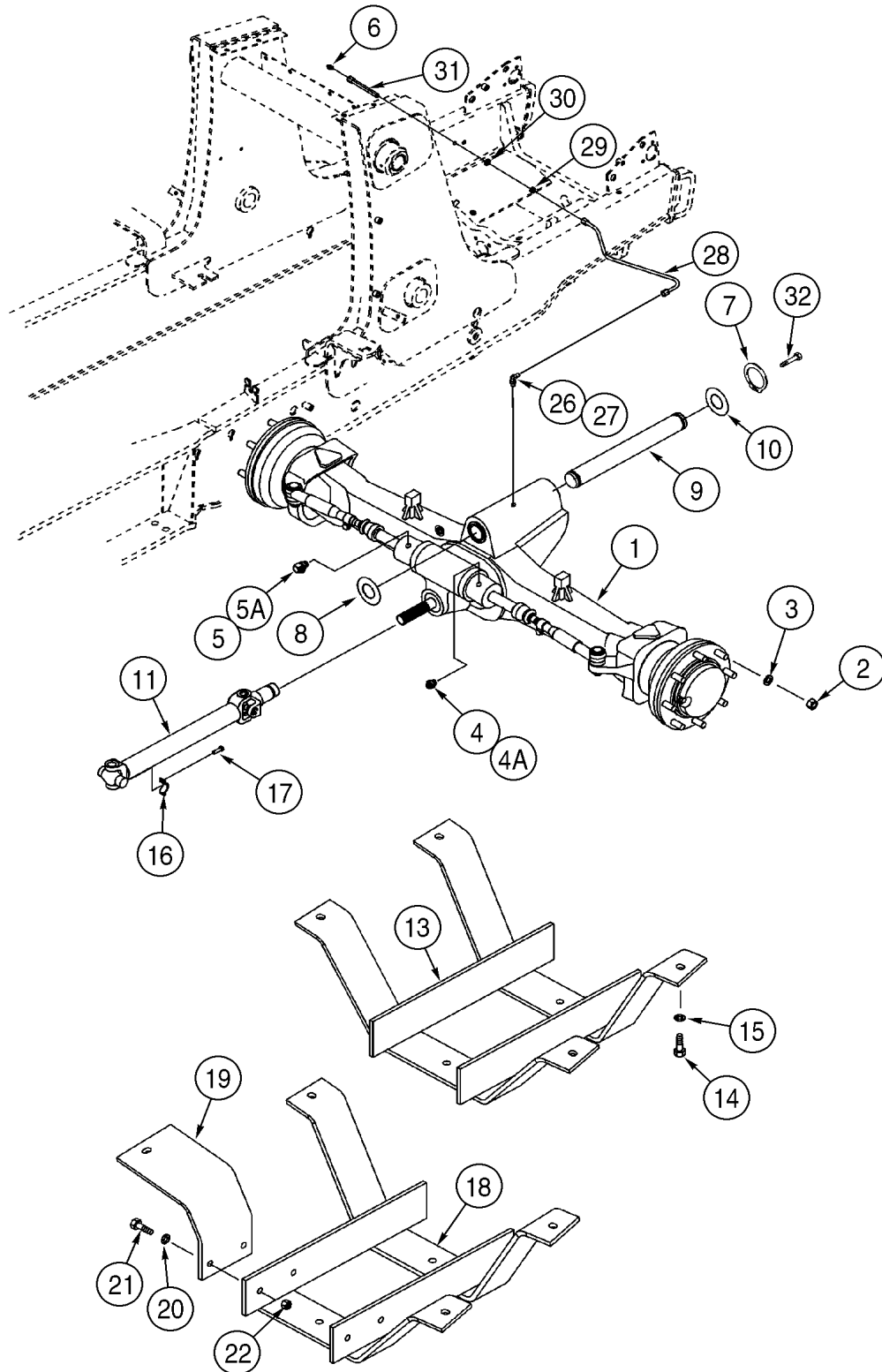
AXLE, FRONT (429229A1 / 86990837) - MOUNTING (IF USED)



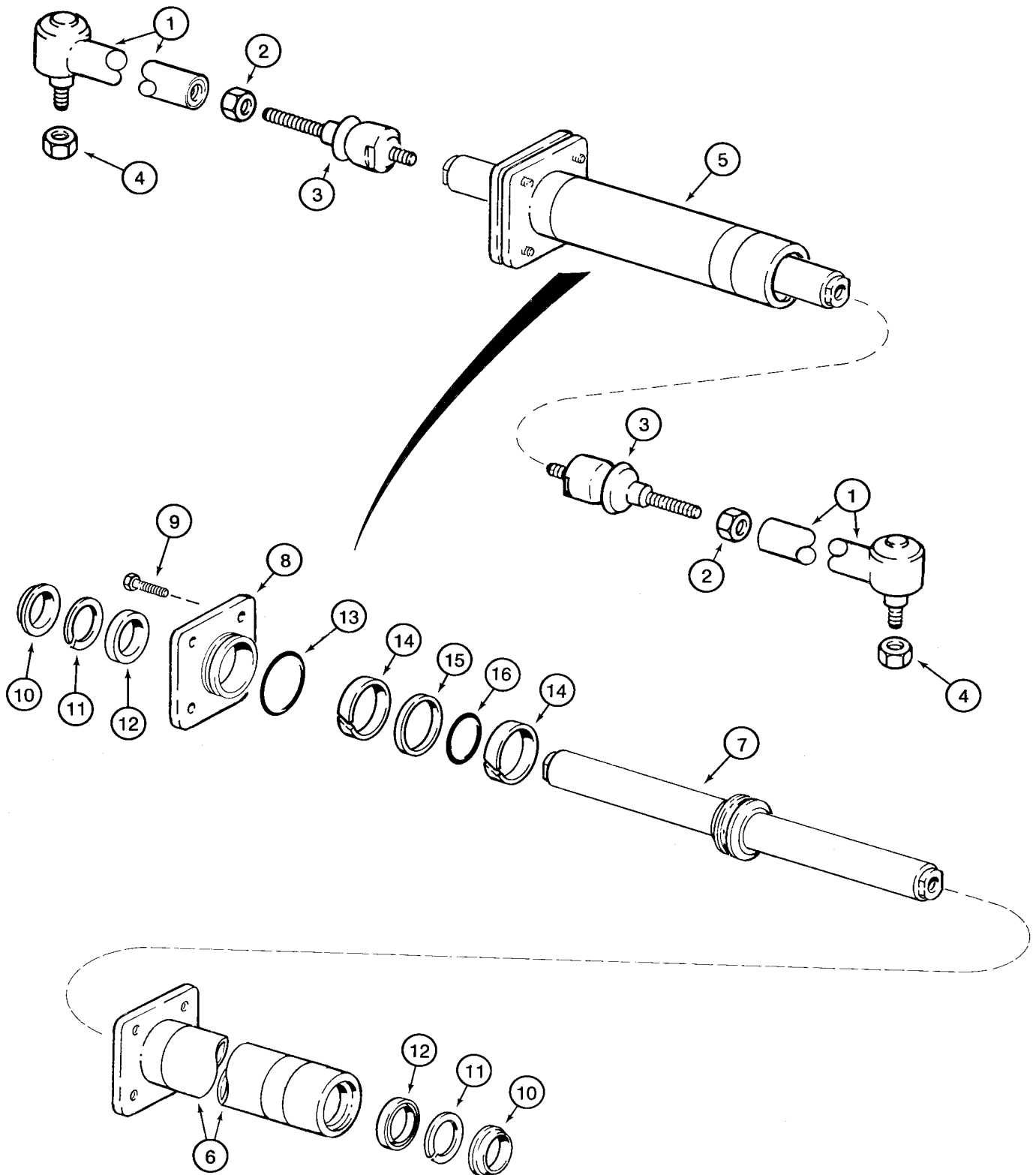
AXLE, FRONT (429229A1 / 86990837) - CYLINDER, STEERING (IF USED)



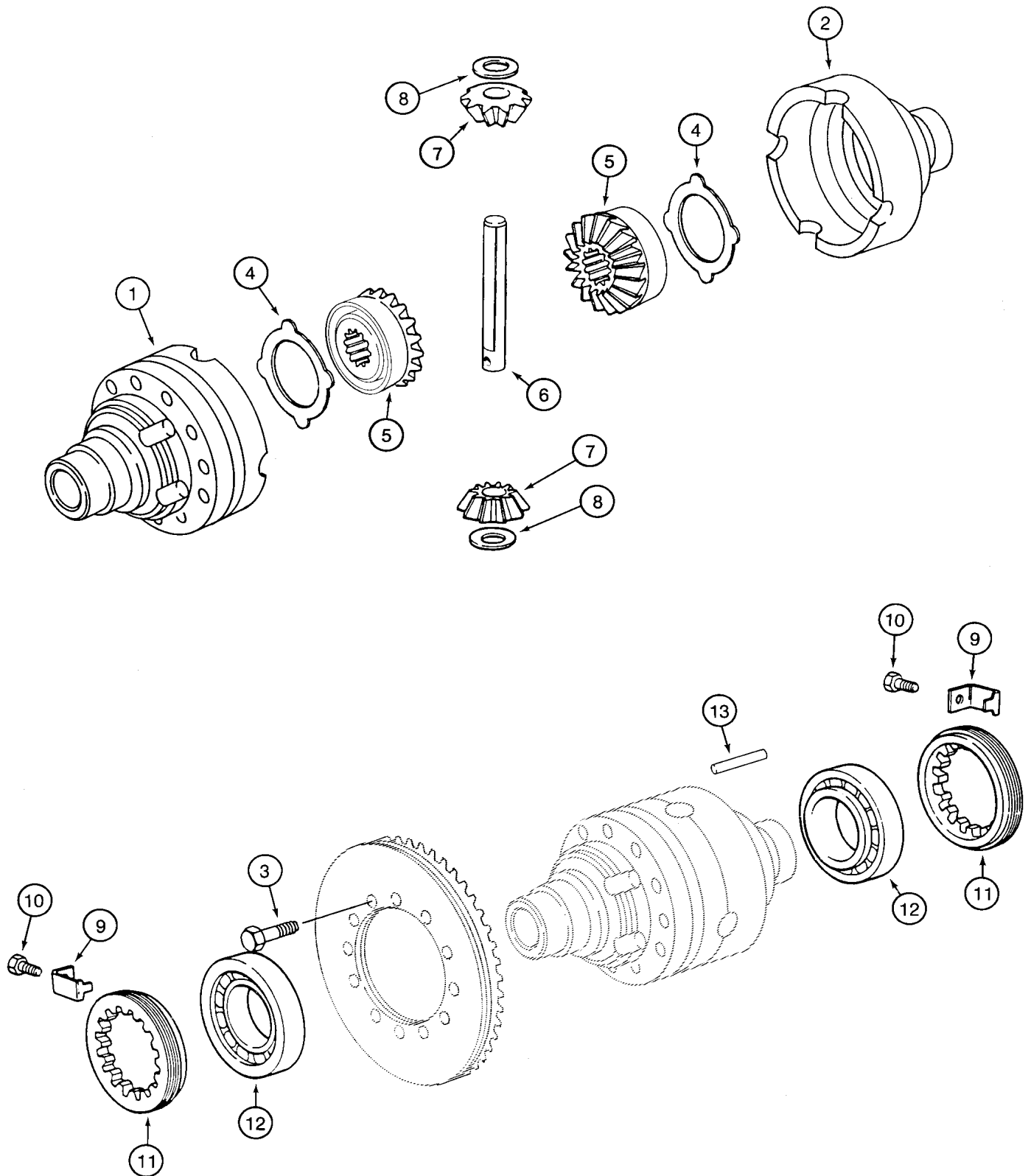
AXLE, FRONT DRIVE - MOUNTING



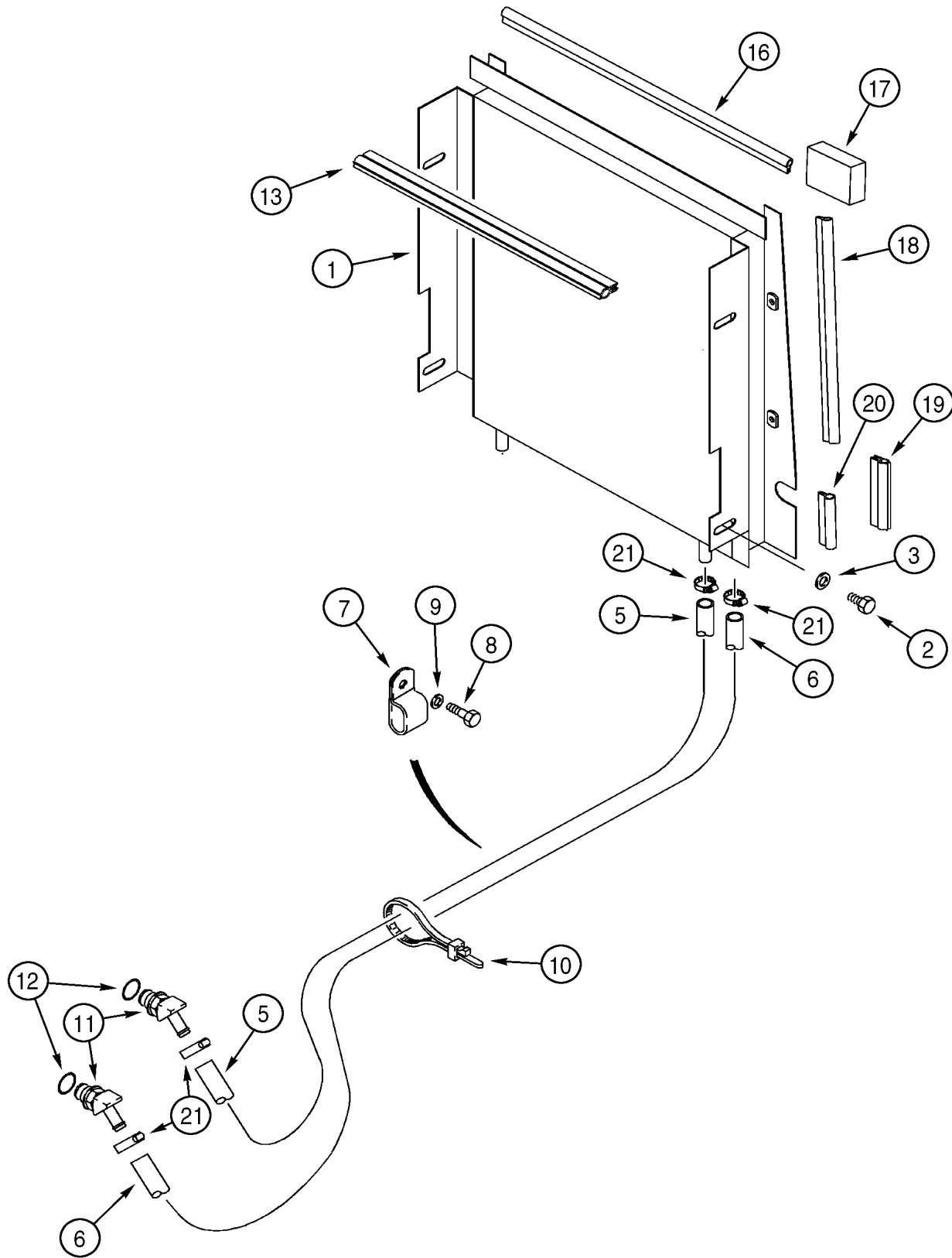
AXLE, FRONT DRIVE - CYLINDER, STEERING



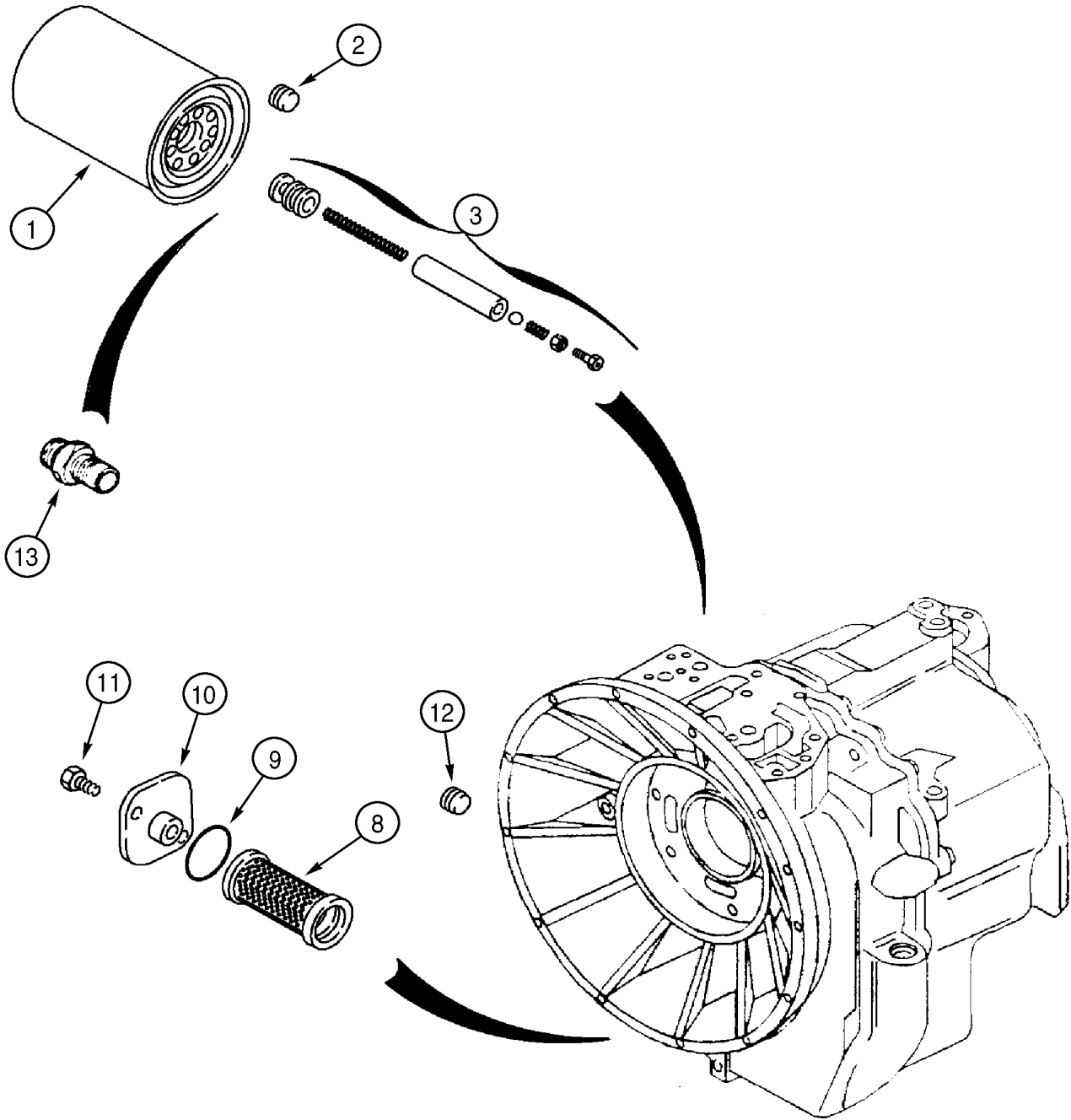
AXLE, FRONT DRIVE - DIFFERENTIAL



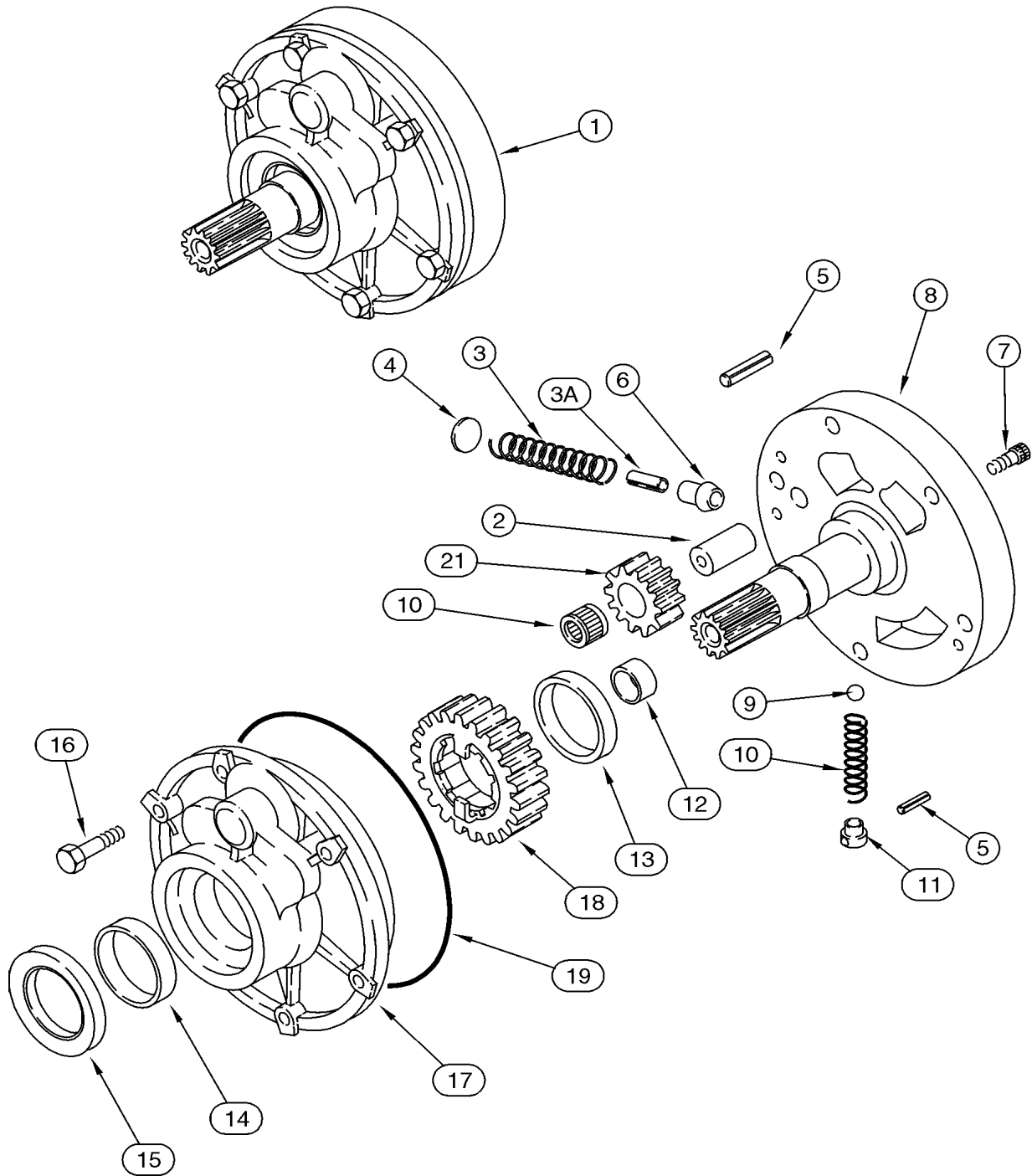
COOLING SYSTEM - TRANSMISSION (WITHOUT AIR CONDITIONING)



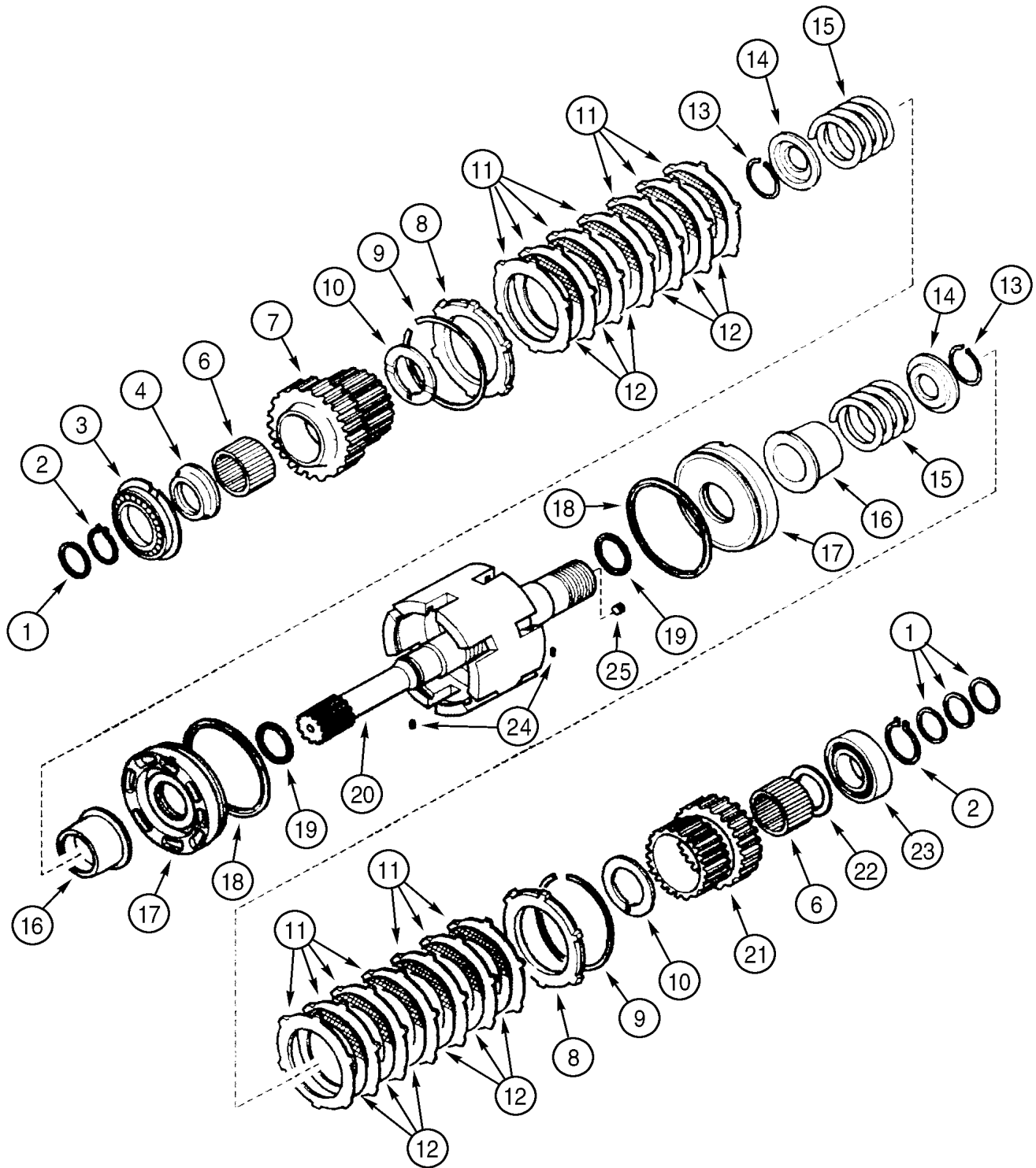
TRANSMISSION ASSY - FILTER, OIL



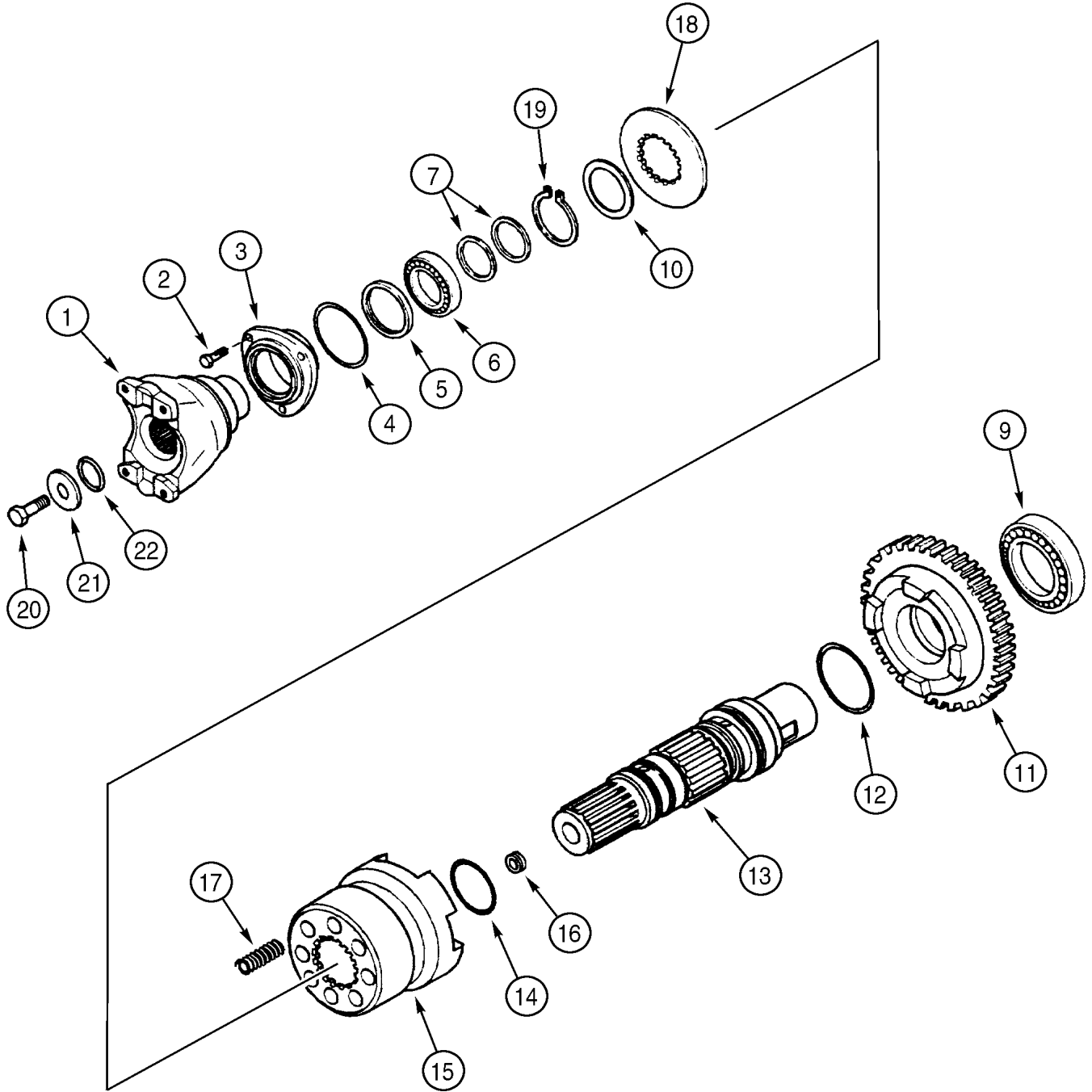
TRANSMISSION ASSY - PUMP, OIL



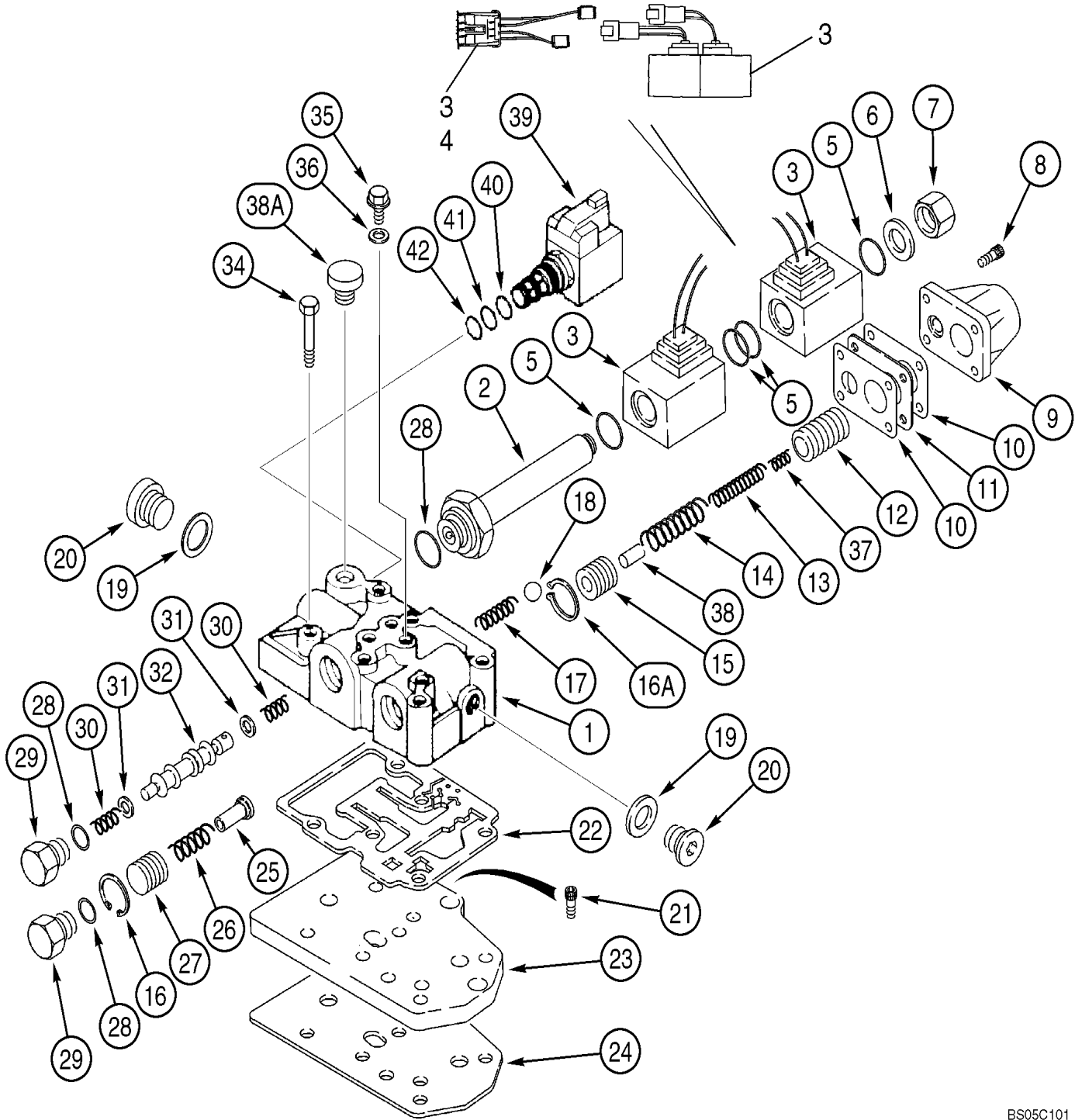
TRANSMISSION ASSY - SHAFT, INPUT



TRANSMISSION ASSY (4WD) - SHAFT, OUTPUT



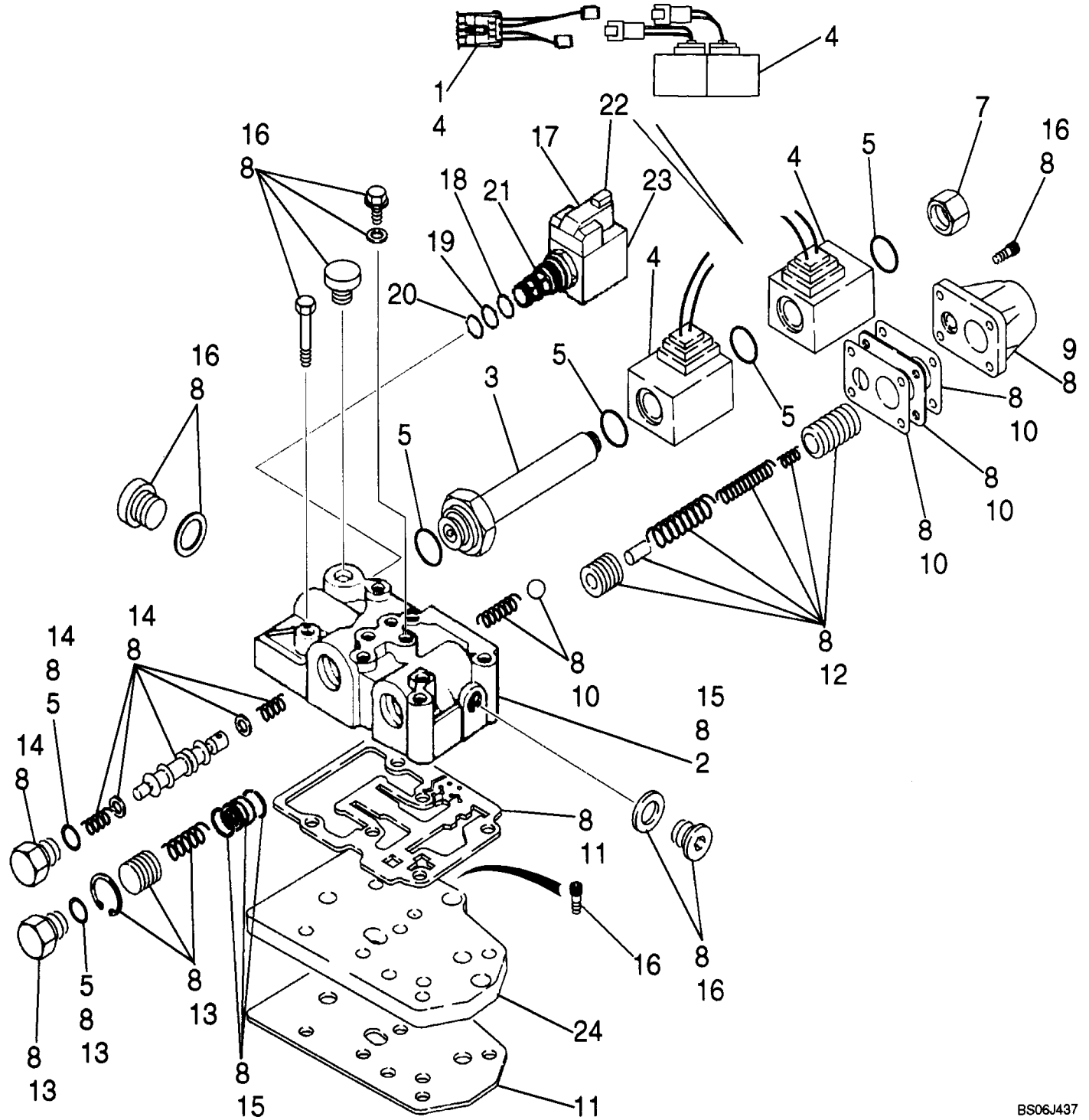
TRANSMISSION ASSY (87456845 OR 87456846) - VALVE, CONTROL



BS05C101

Used Until March 2006, Refer to fig 06-22B and Service Bullitin

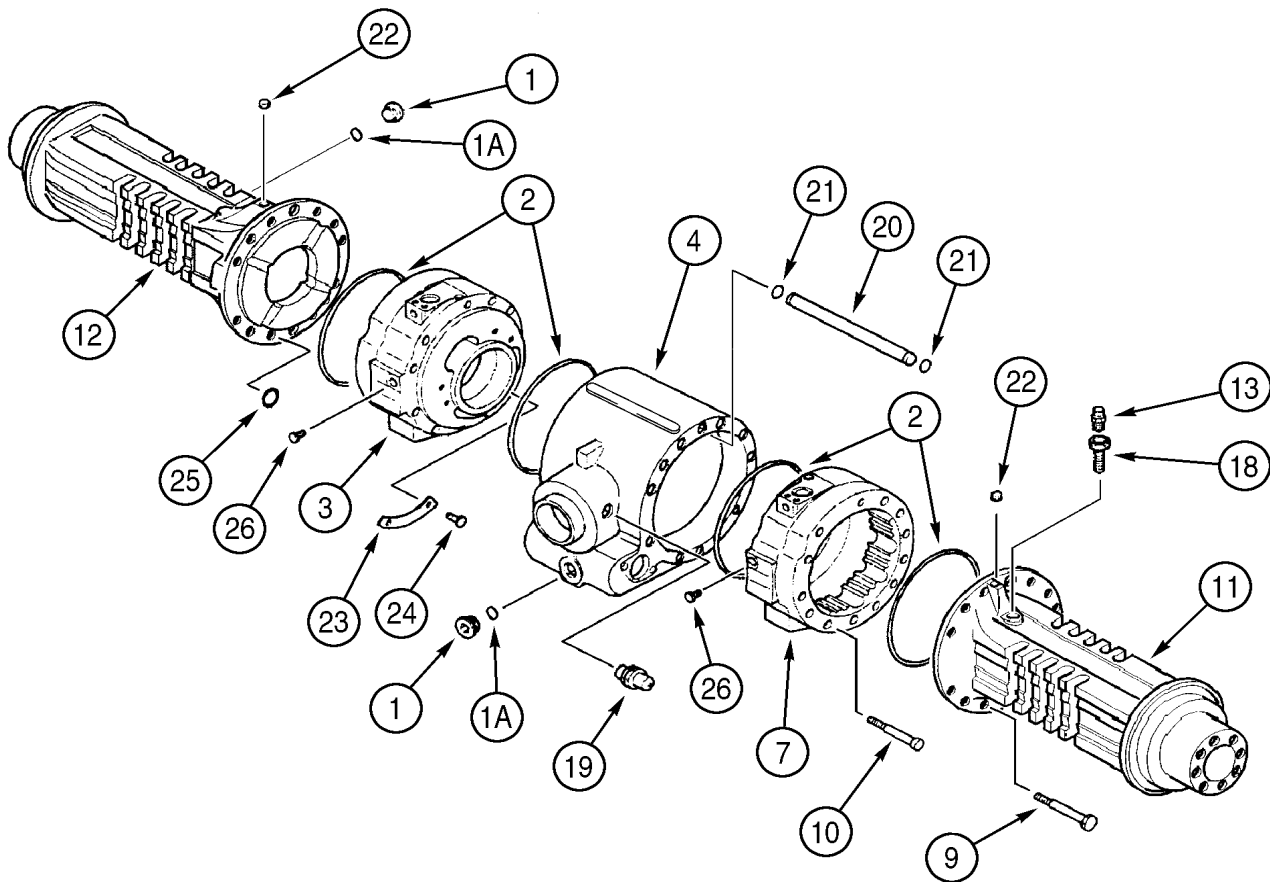
TRANSMISSION ASSY (87396486 OR 87396487) - VALVE, CONTROL



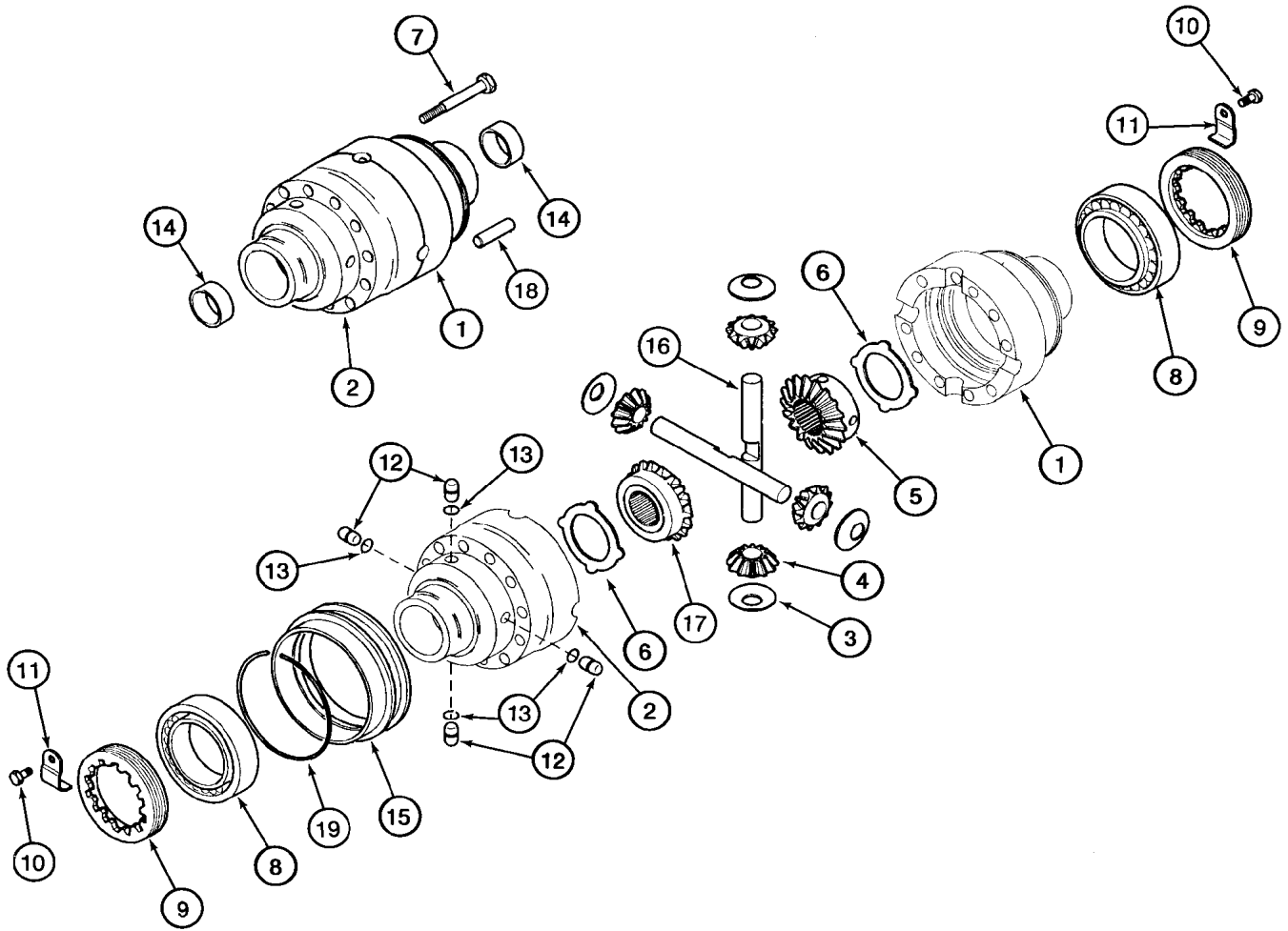
BS06J437

Used After March 2006, Refer to Service Bullitin

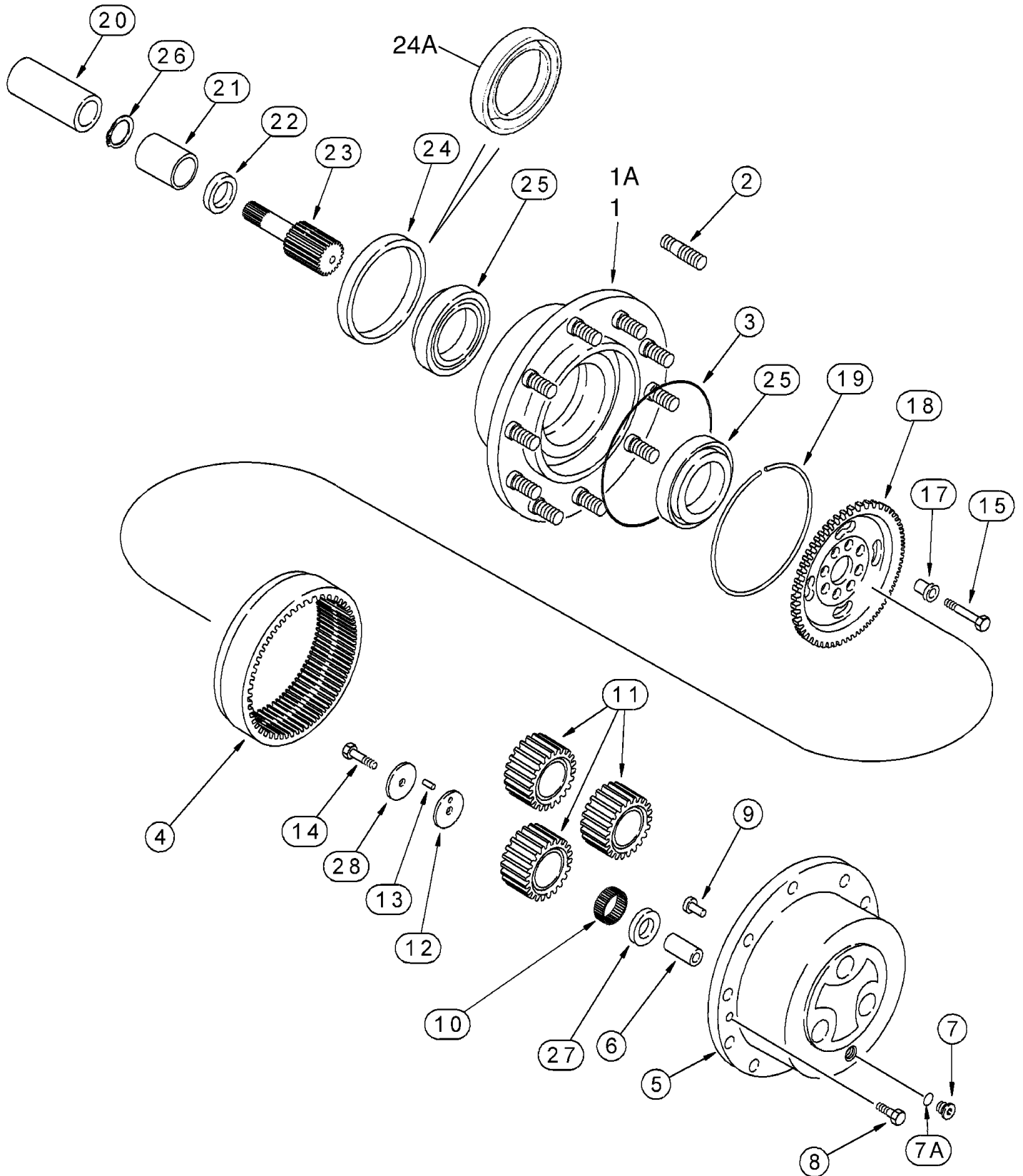
AXLE, REAR DRIVE - HOUSING



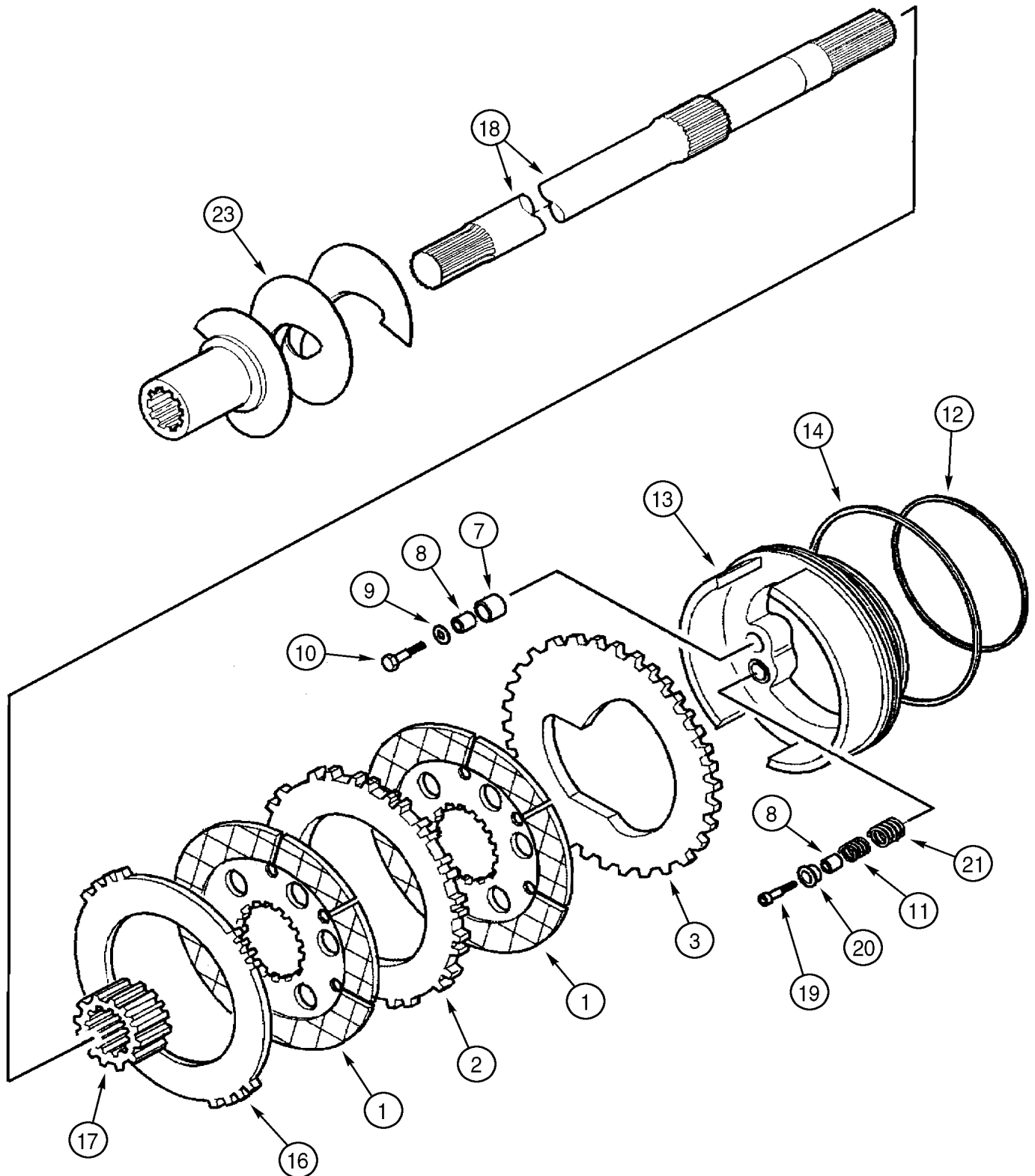
AXLE, REAR DRIVE - DIFFERENTIAL (87422891 AXLE / 4 SPIDER DIFFERENTIAL)



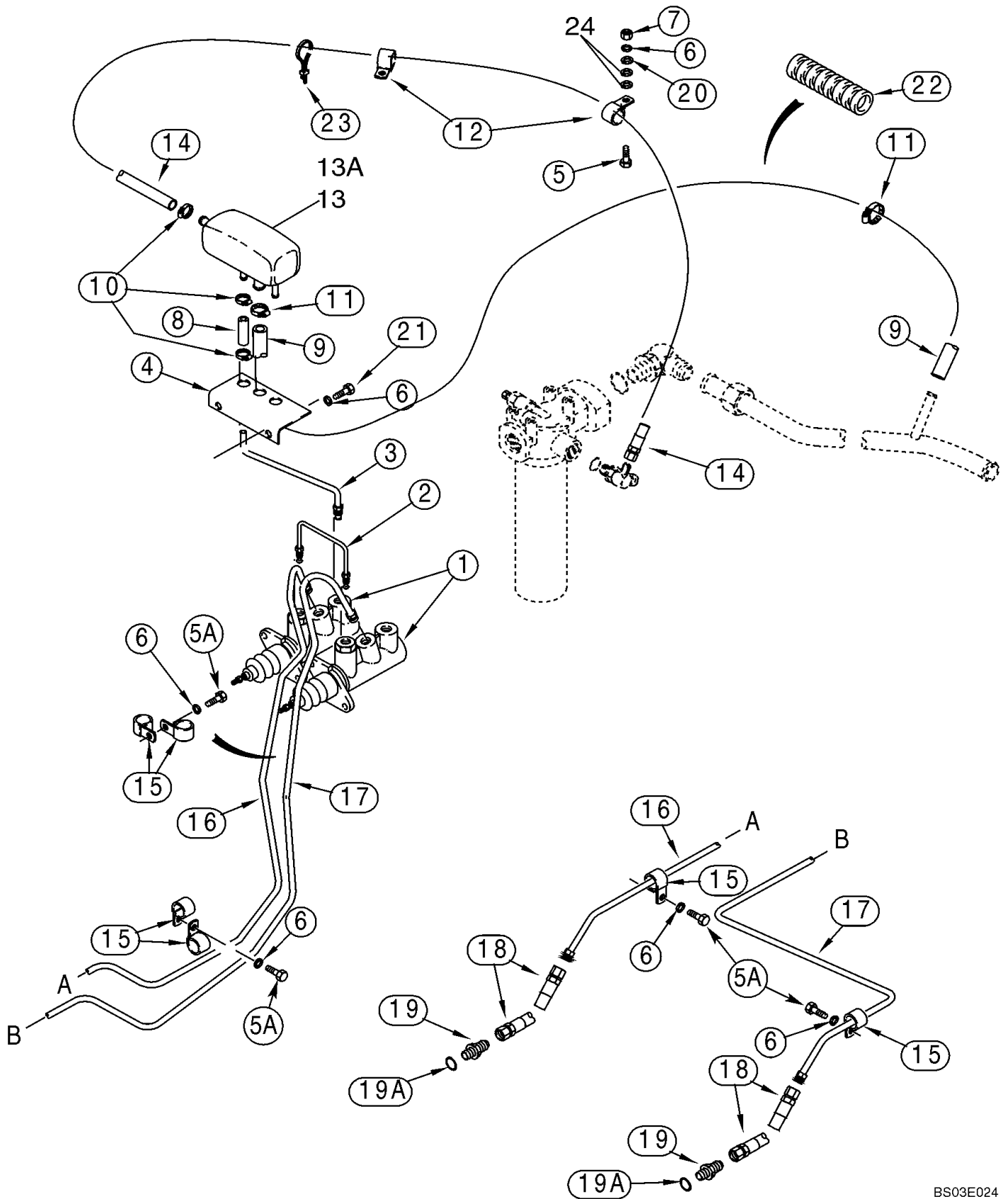
AXLE, REAR DRIVE - PLANETARY



AXLE, REAR DRIVE - BRAKE, DIFFERENTIAL



HYDRAULICS - BRAKE MASTER CYLINDER

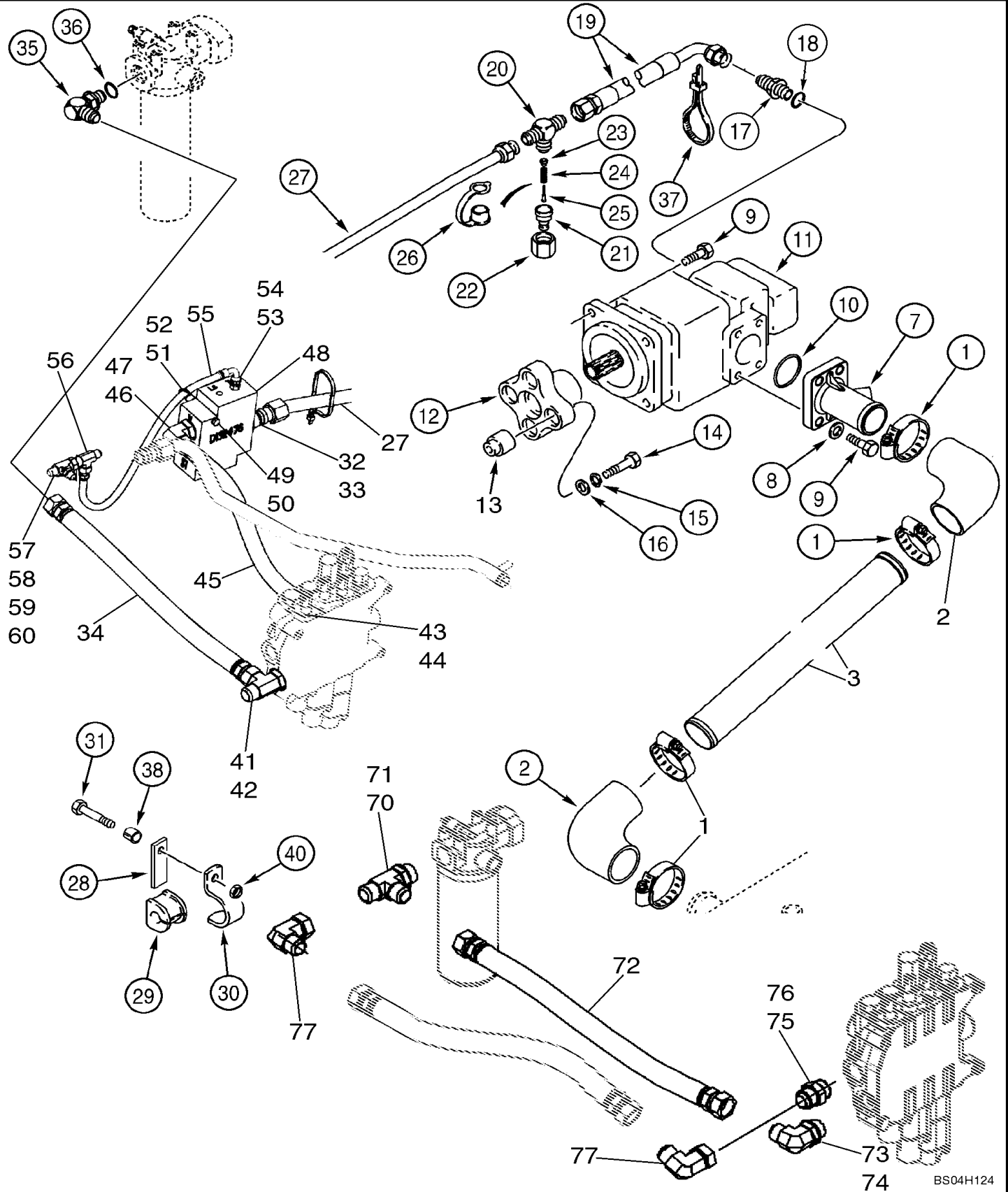


SECTION INDEX

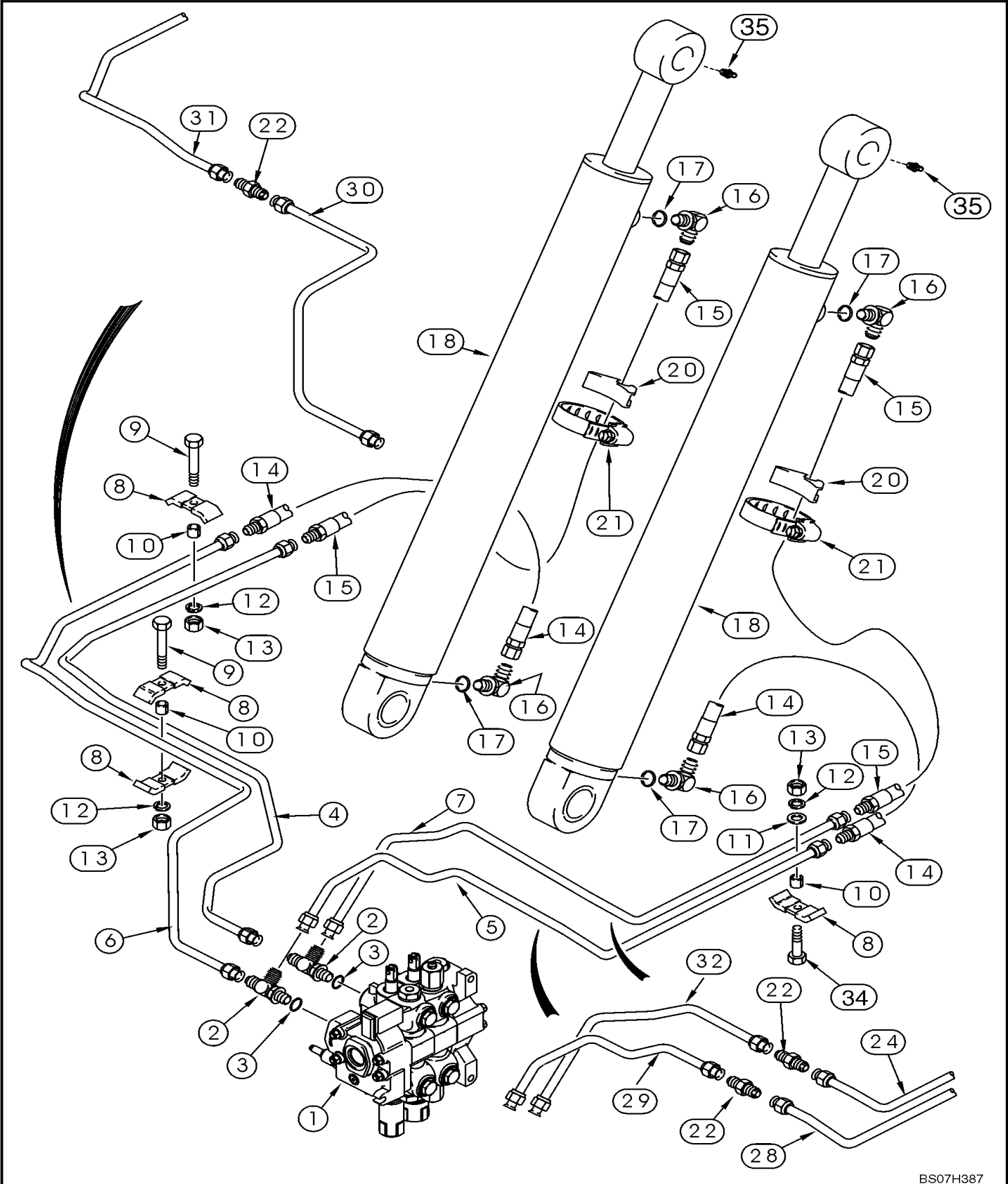
HYDRAULICS

| | | |
|--------|----|--|
| 08-01 | | HYDRAULICS - PUMP, FILTER AND LOADER VALVE (MODELS WITHOUT HUSCO LOADER VALVE) |
| 08-01A | | HYDRAULICS - PUMP, FILTER AND LOADER VALVE (WITH HUSCO LOADER VALVE W/SEPARATE PRIORITY VALVE) |
| 08-01B | | HYDRAULICS - PUMP, FILTER AND LOADER VALVE (WITH HUSCO LOADER VALVE W/BUILT-IN PRIORITY VALVE) |
| 08-02 | | HYDRAULICS - COOLER, RETURN LINES AND FILTER |
| 08-03 | | HYDRAULICS - CYLINDER, LOADER LIFT |
| 08-04 | | HYDRAULICS - CYLINDER, LOADER BUCKET |
| 08-05 | | HYDRAULICS - CYLINDER, LOADER CLAM |
| 08-06 | | HYDRAULICS - CYLINDER, LOADER CLAM |
| 08-07 | | HYDRAULICS - RIDE CONTROL (297977A4 SOLENOID VALVE) |
| 08-07A | | HYDRAULICS - RIDE CONTROL (86983598 SOLENOID VALVE) |
| 08-07B | | HYDRAULICS - RIDE CONTROL (87433240 SOLENOID VALVE)(MODELS WITH HUSCO LOADER VALVE) |
| 08-08 | | HYDRAULICS - COUPLER, LOADER TOOL QUICK |
| 08-08A | | HYDRAULICS - COUPLER, LOADER TOOL QUICK (MODELS WITH HUSCO LOADER VALVE) |
| 08-09 | | HYDRAULICS - COUPLER, LOADER TOOL QUICK |
| 08-09A | | VALVE, COUPLER (87435909) - LOADER TOOL |
| 08-10 | | HYDRAULICS - HITCH, THREE POINT (FOUR OR FIVE SPOOL VALVE) |
| 08-11 | | HYDRAULICS - HITCH LOCK VALVE, THREE POINT (FOUR OR FIVE SPOOL VALVE) |
| 08-12 | | HYDRAULICS - VALVE, LASER CONTROL (MODELS WITH THREE POINT HITCH LOCK VALVE) |
| 08-13 | | PUMP, EQUIPMENT HYDRAULIC |
| 08-14 | | VALVE ASSY - LOADER CONTROL, TWO SPOOL |
| 08-15 | | VALVE ASSY - LOADER CONTROL, THREE SPOOL |
| 08-16 | | VALVE SECTION - INLET |
| 08-17 | | VALVE SECTION - LOADER BUCKET |
| 08-18 | | VALVE SECTION - LOADER LIFT |
| 08-19 | | VALVE SECTION - OUTLET |
| 08-20 | | VALVE SECTION - LOADER CLAM |
| 08-21 | | VALVE ASSY - RELIEF, CIRCUIT |
| 08-21A | | VALVE ASSY - LOADER CONTROL, TWO SPOOL (HUSCO - USED WITH SEPARATE PRIORITY VALVE) |
| 08-21B | | VALVE ASSY - LOADER CONTROL, THREE SPOOL (HUSCO - USED WITH SEPARATE PRIORITY VALVE) |
| 08-21B | 01 | VALVE ASSY - LOADER CONTROL, THREE SPOOL (HUSCO - USED WITH SEPARATE PRIORITY VALVE) |
| 08-21C | | VALVE ASSY - LOADER CONTROL, TWO SPOOL (HUSCO - WITH BUILT-IN PRIORITY VALVE) |

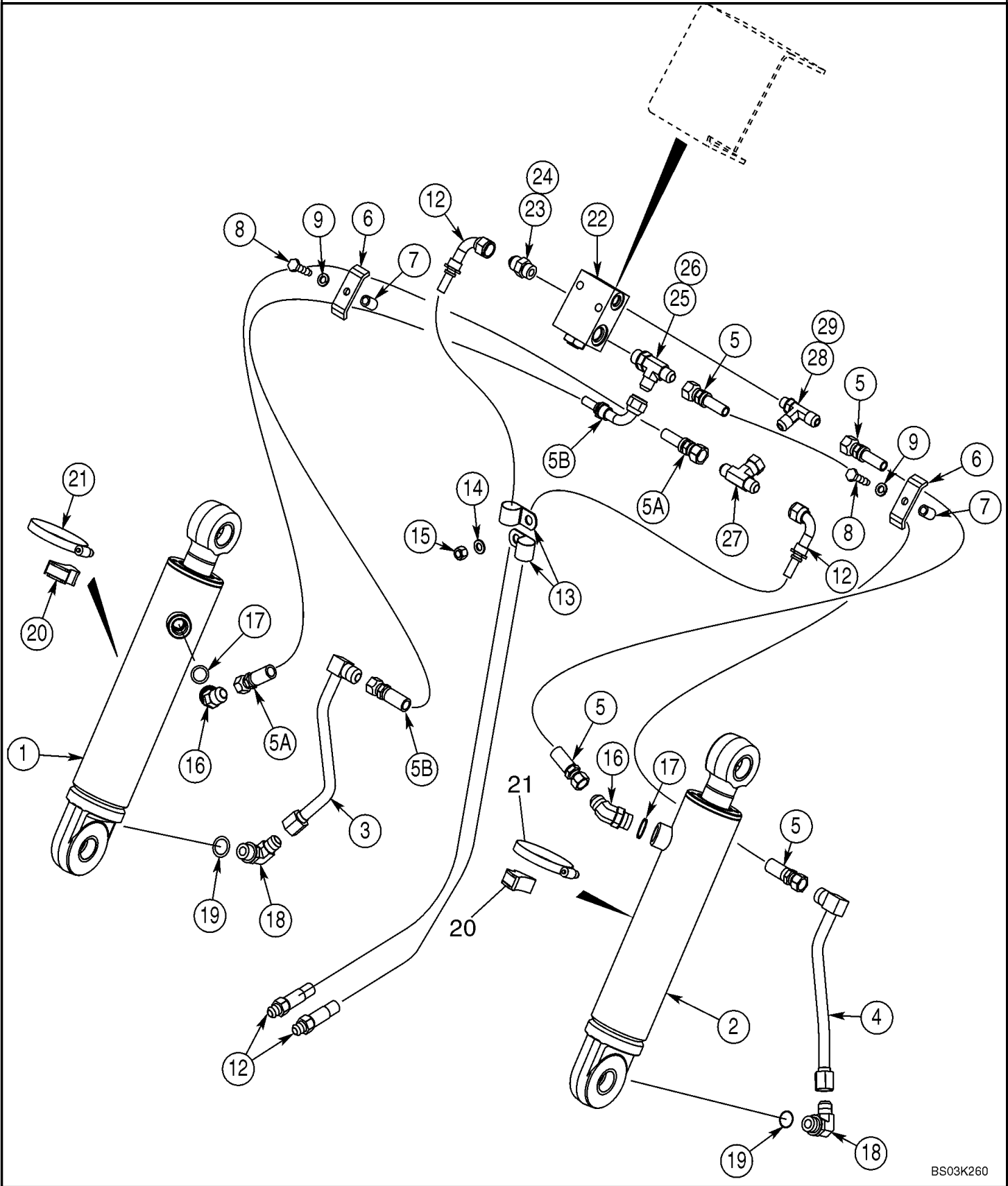
HYDRAULICS - PUMP, FILTER AND LOADER VALVE (WITH HUSCO LOADER VALVE W/SEPARATE PRIORITY VALVE)



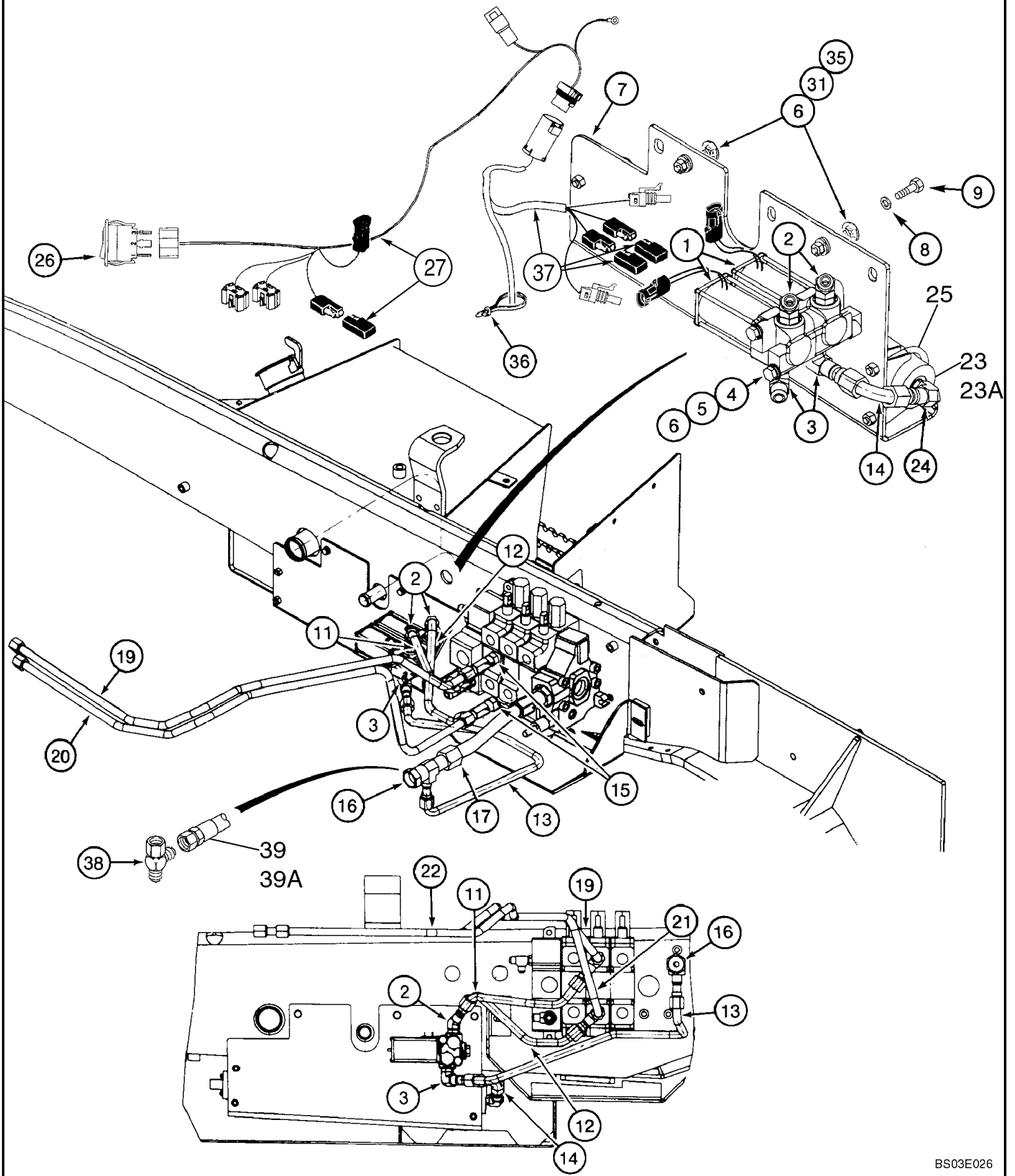
HYDRAULICS - CYLINDER, LOADER LIFT



HYDRAULICS - CYLINDER, LOADER CLAM



HYDRAULICS - RIDE CONTROL (297977A4 SOLENOID VALVE)



CLICK HERE TO **DOWNLOAD** THE COMPLETE MANUAL

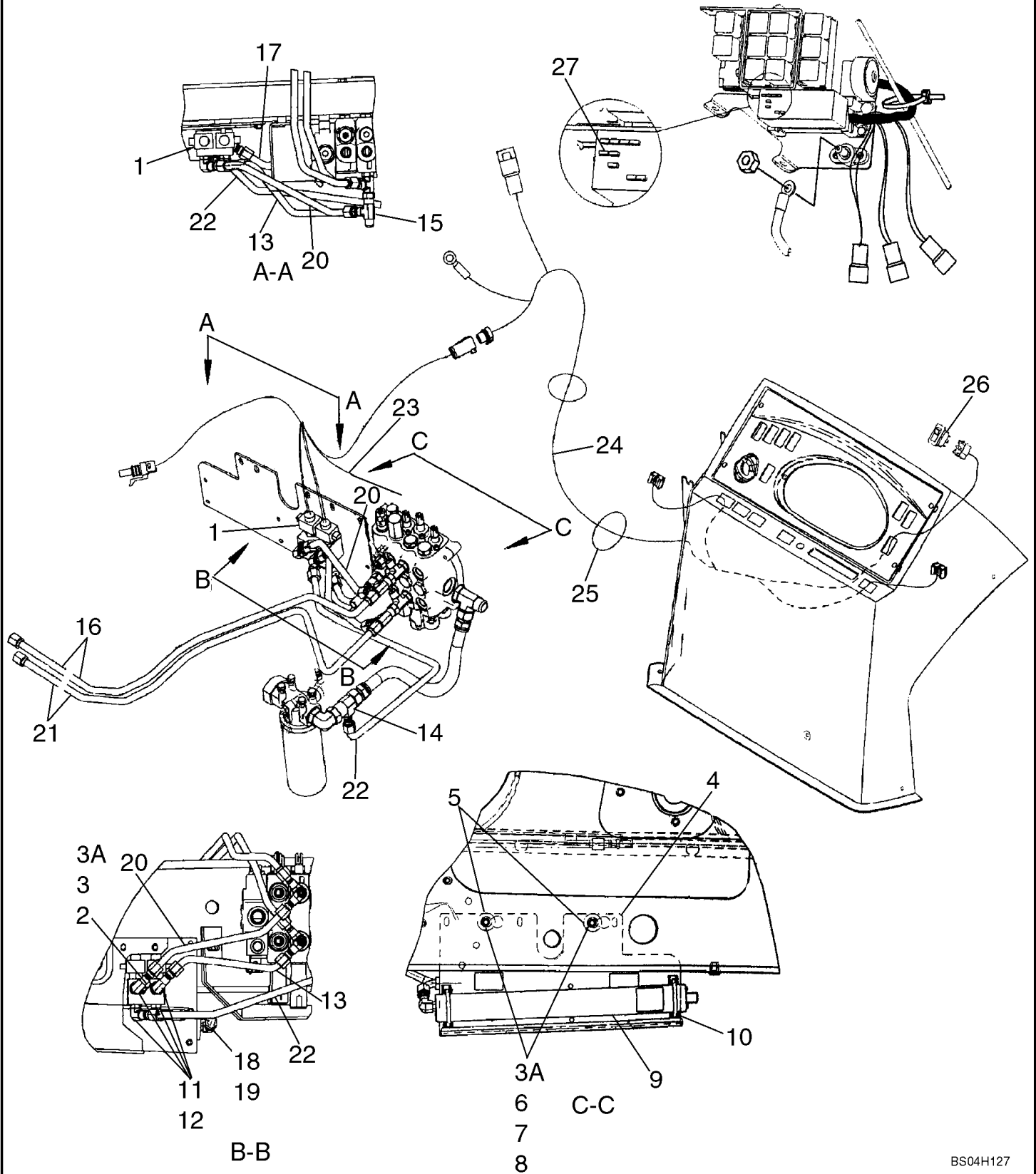
- Thank you very much for reading the preview of the manual.
- You can download the complete manual from: www.heydownloads.com by clicking the link below



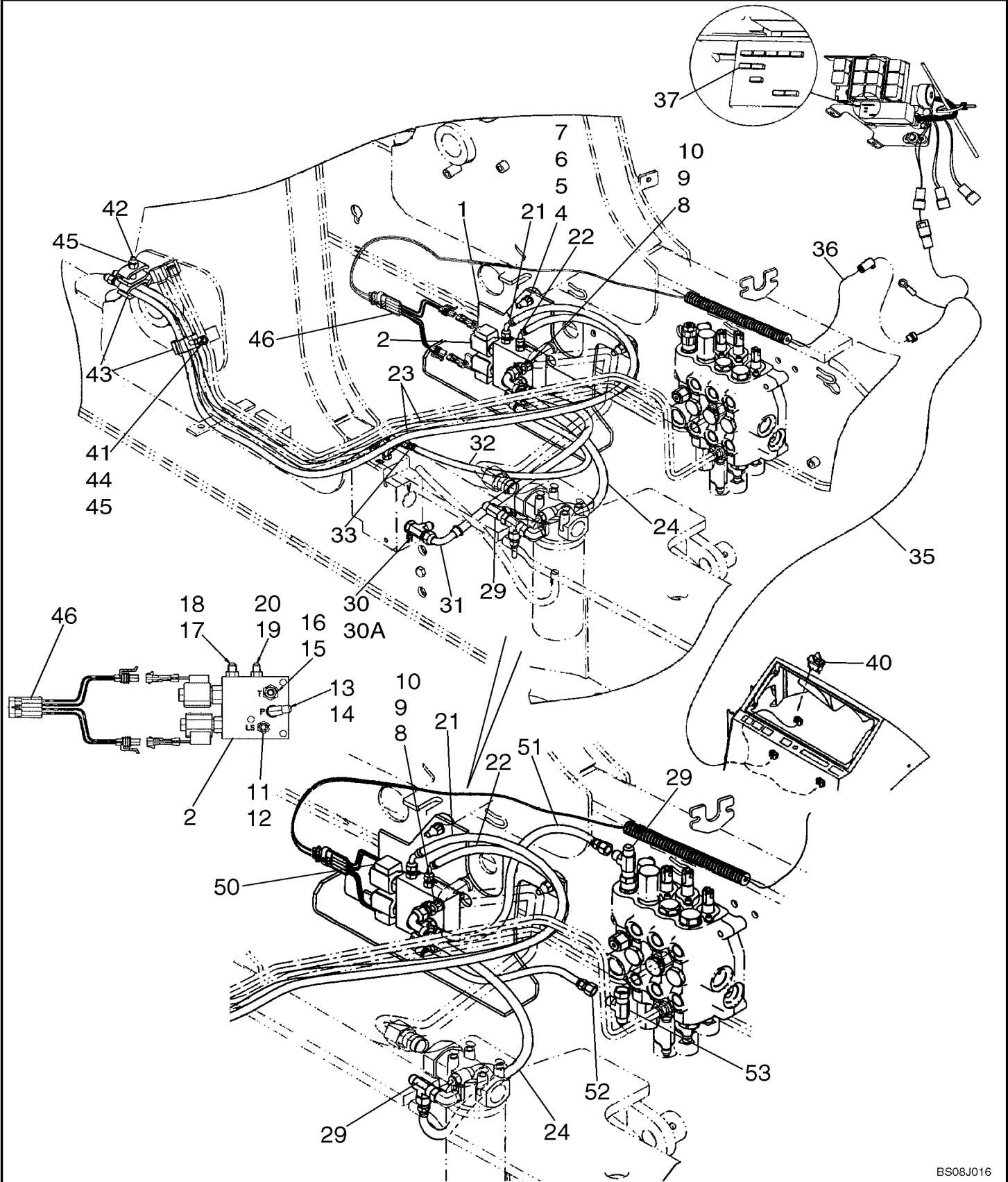
- Please note: If there is no response to CLICKING the link, please download this PDF first and then click on it.

CLICK HERE TO **DOWNLOAD** THE COMPLETE MANUAL

HYDRAULICS - RIDE CONTROL (87433240 SOLENOID VALVE)(MODELS WITH HUSCO LOADER VALVE)



HYDRAULICS - COUPLER, LOADER TOOL QUICK (MODELS WITH HUSCO LOADER VALVE)

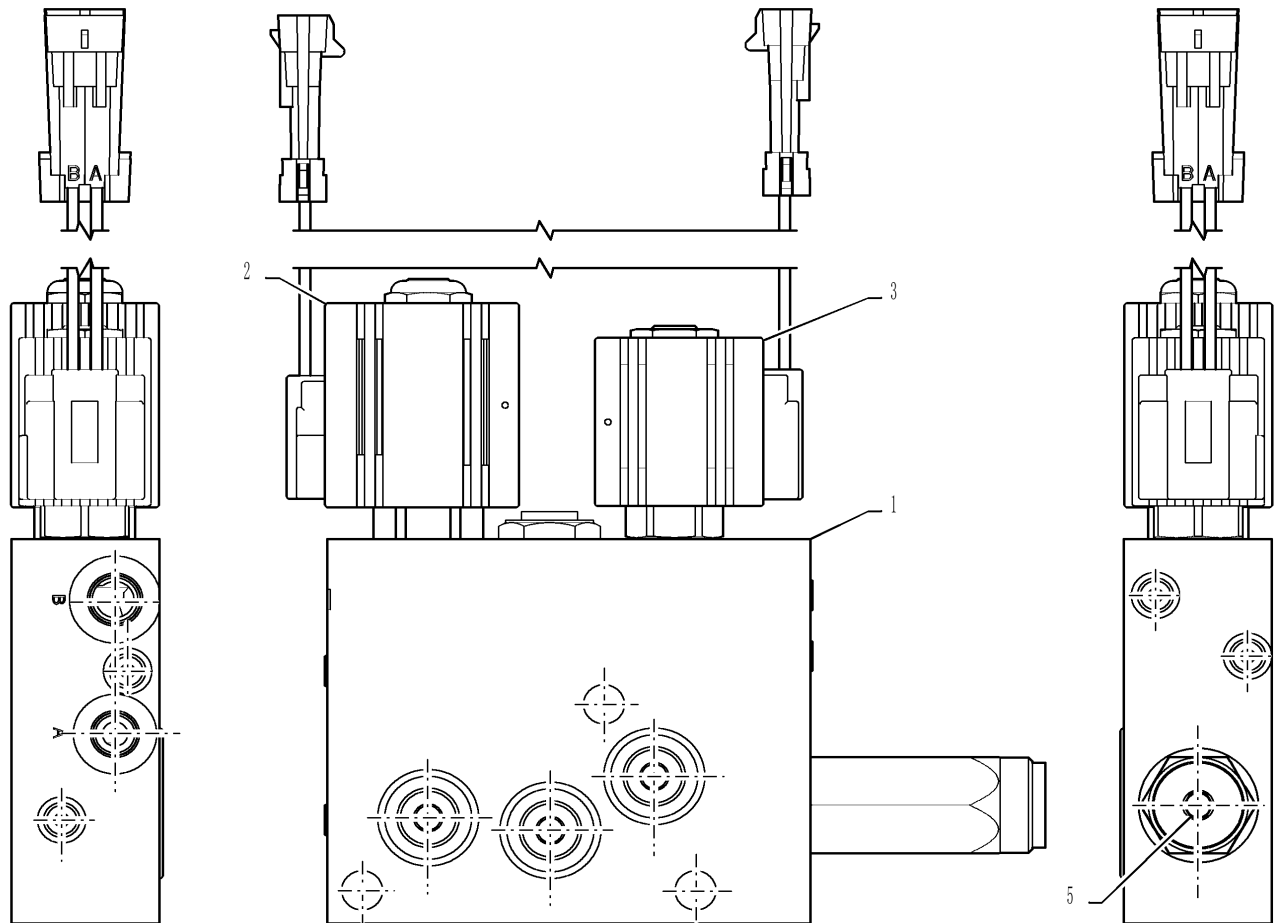
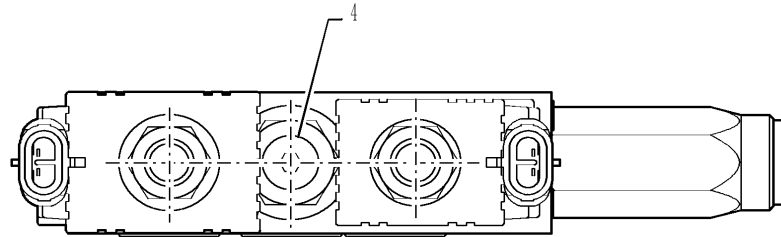


08-09A

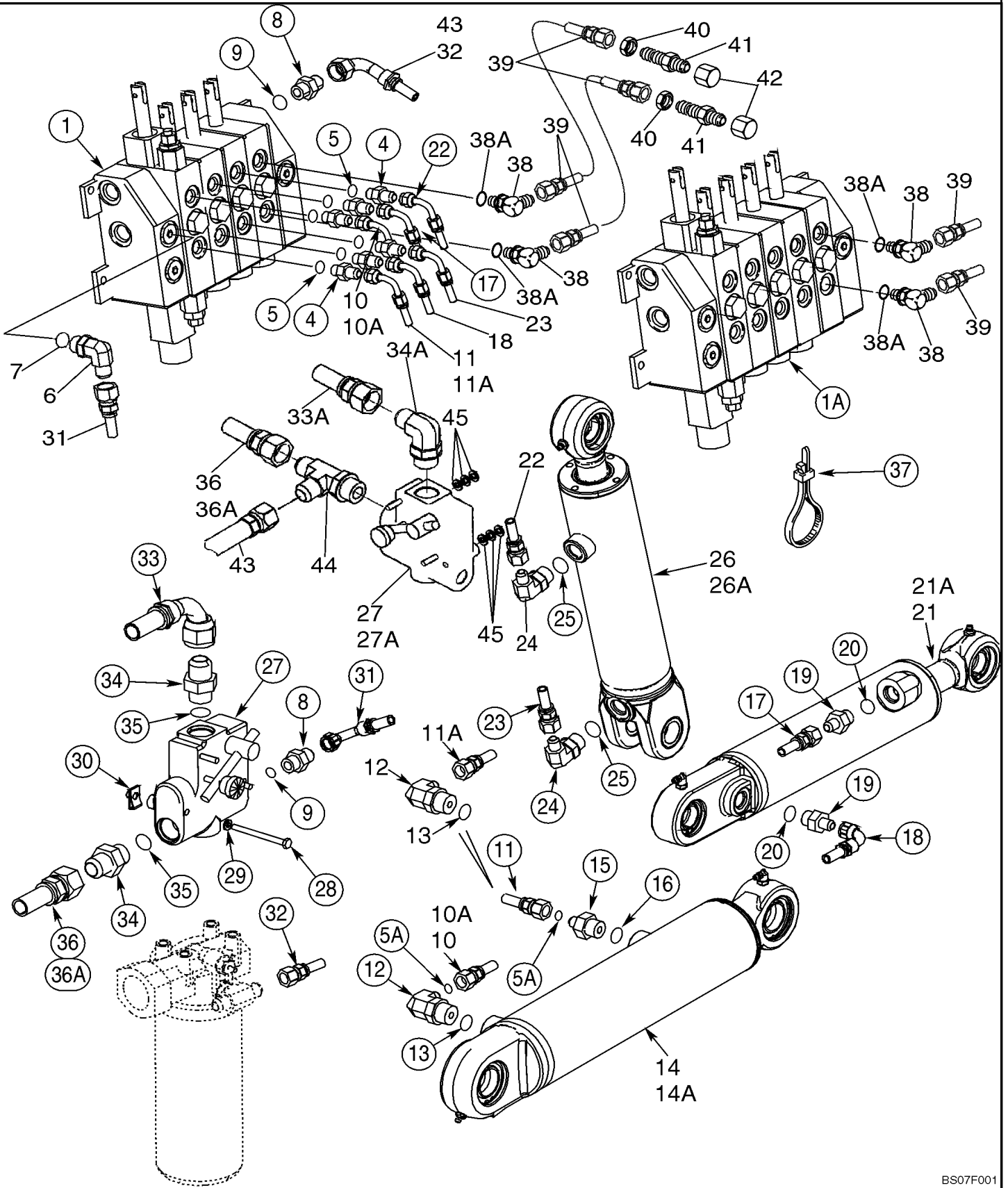
p1

3/2019

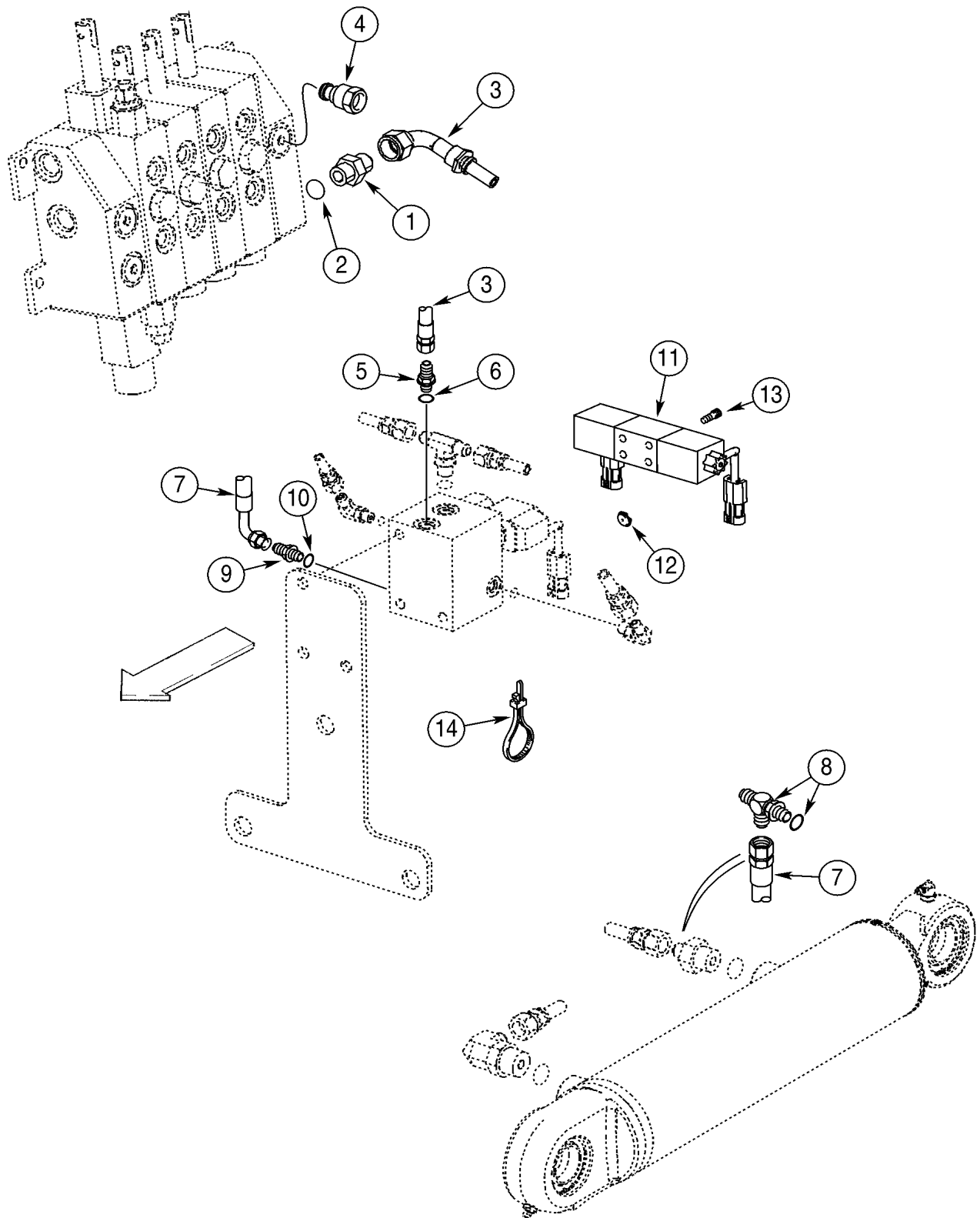
VALVE, COUPLER (87435909) - LOADER TOOL



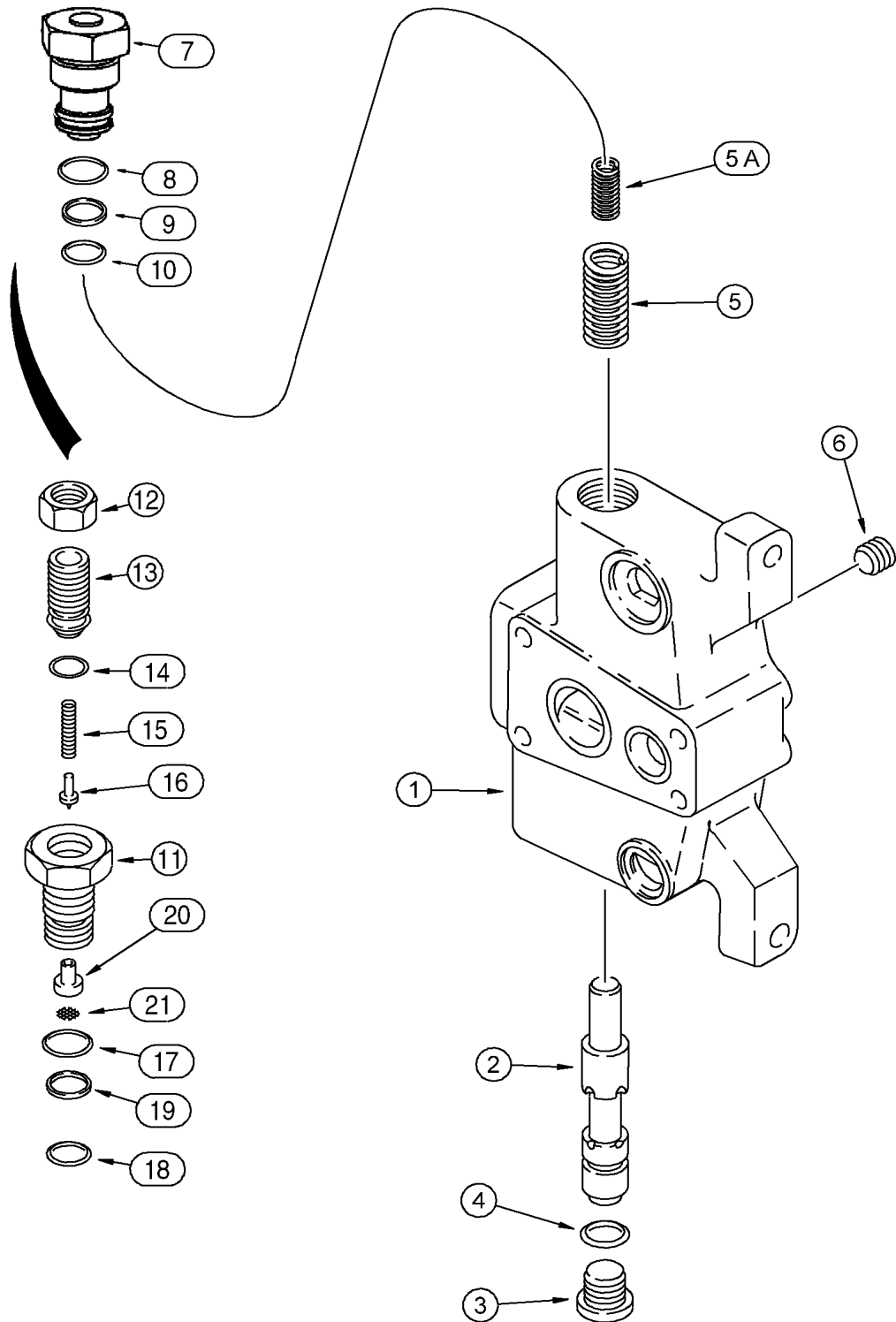
HYDRAULICS - HITCH, THREE POINT (FOUR OR FIVE SPOOL VALVE)



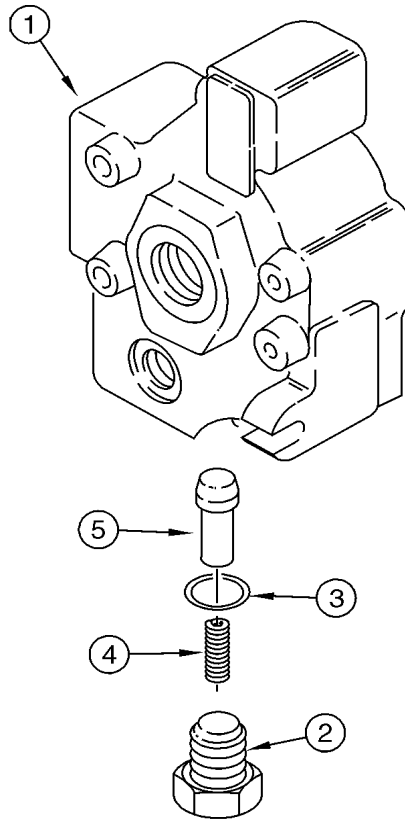
HYDRAULICS - VALVE, LASER CONTROL (MODELS WITH THREE POINT HITCH LOCK VALVE)



VALVE SECTION - INLET



VALVE SECTION - OUTLET

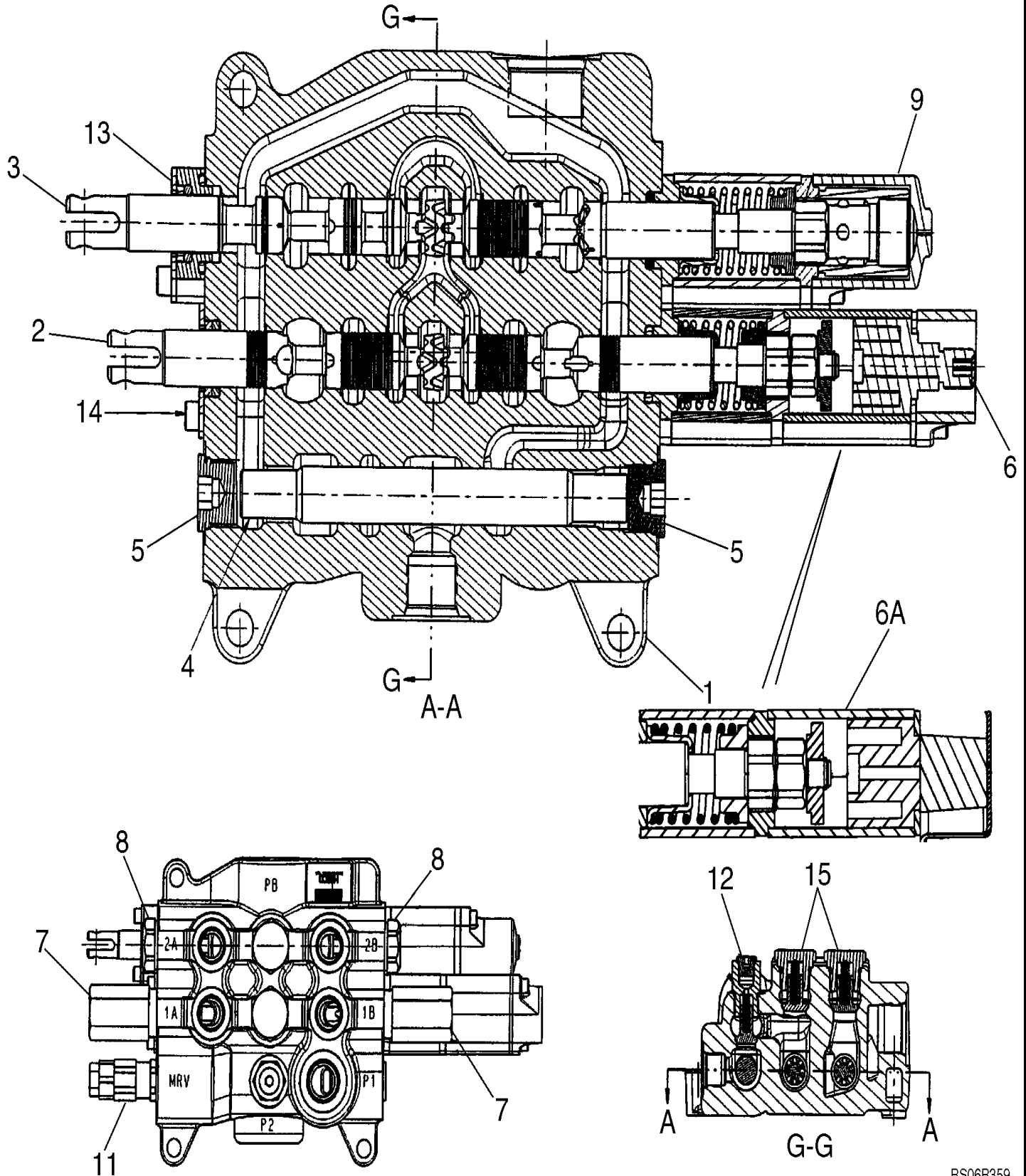


08-21A

p2

3/2019

VALVE ASSY - LOADER CONTROL, TWO SPOOL (HUSCO - USED WITH SEPARATE PRIORITY VALVE)

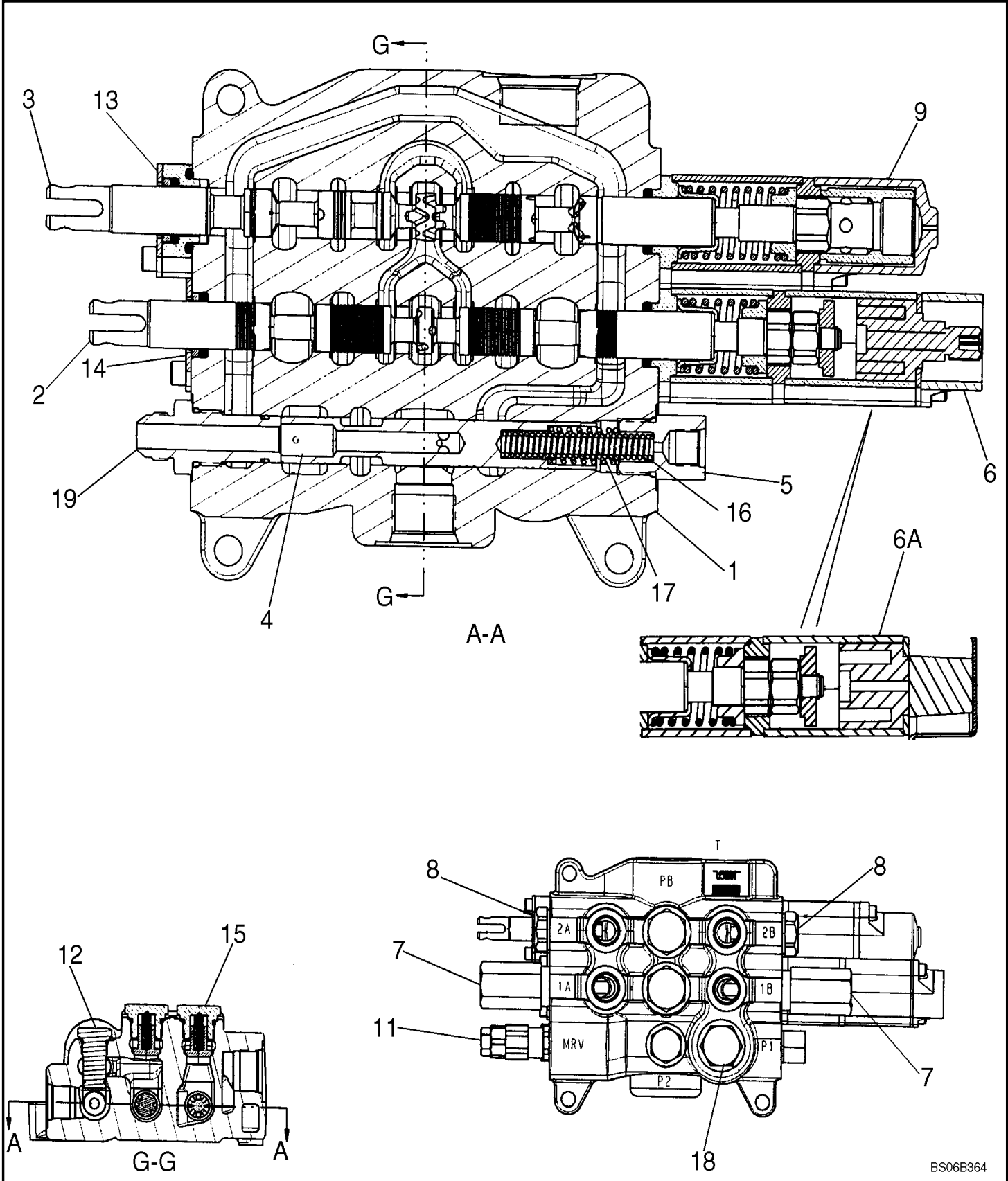


08-21C

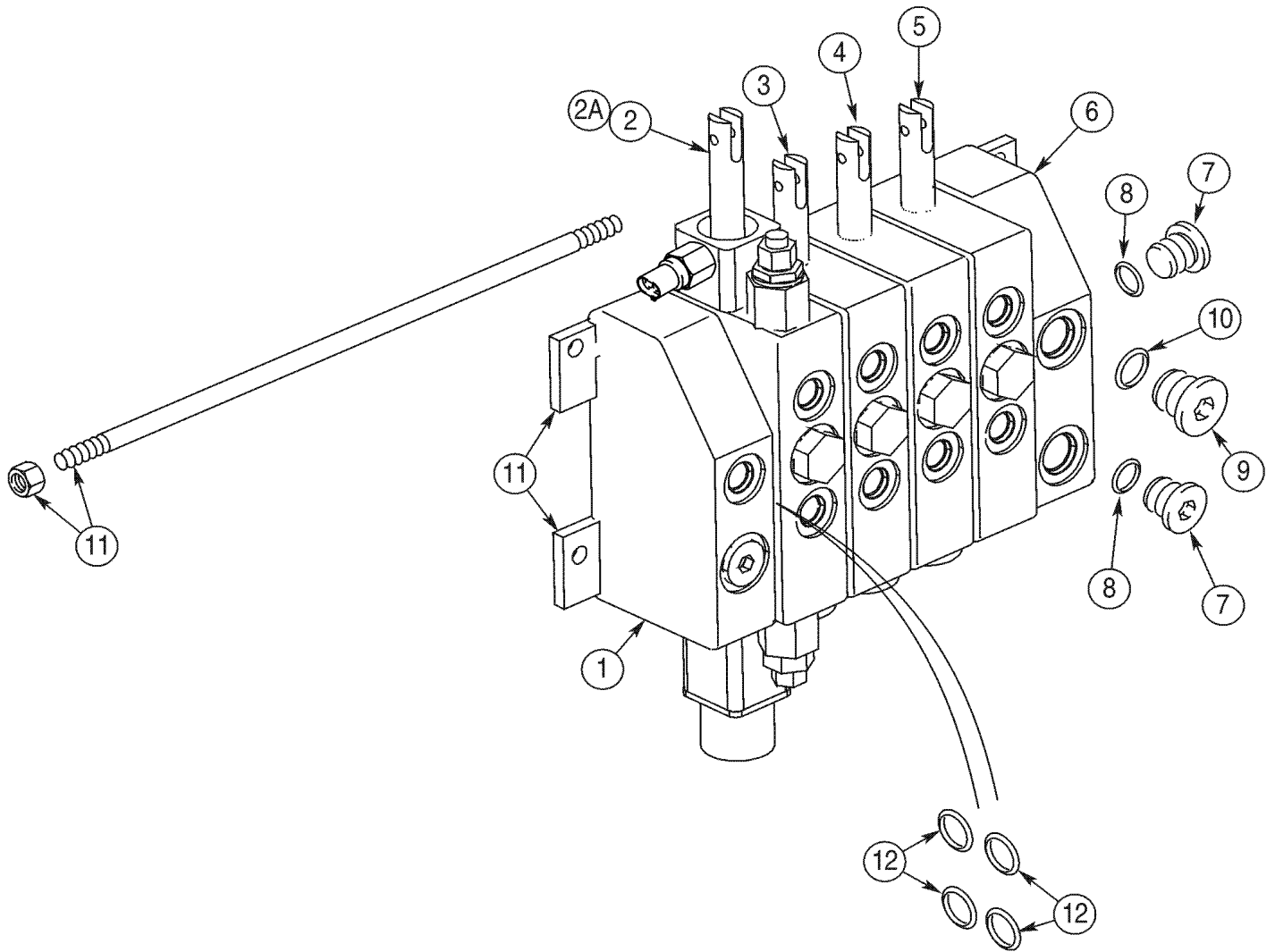
p1

3/2019

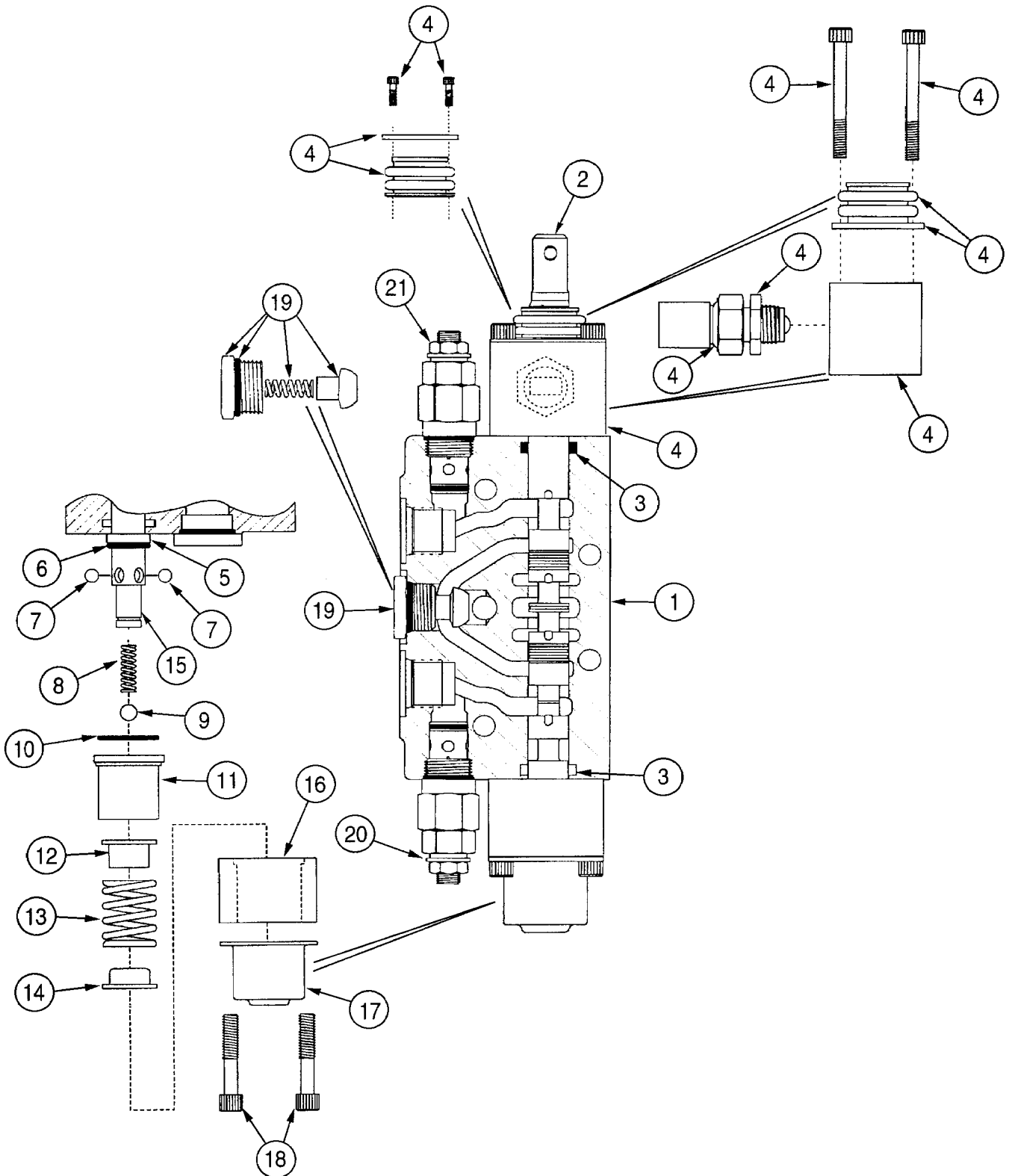
VALVE ASSY - LOADER CONTROL, TWO SPOOL (HUSCO - WITH BUILT-IN PRIORITY VALVE)



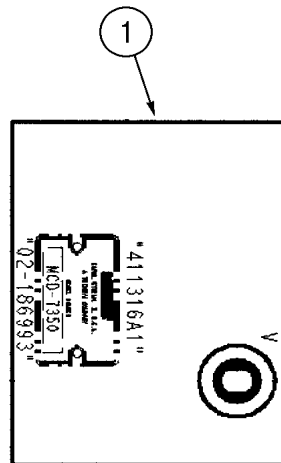
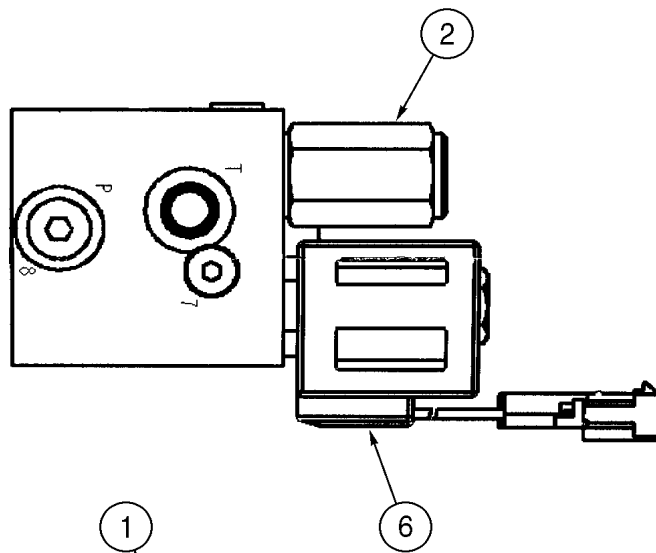
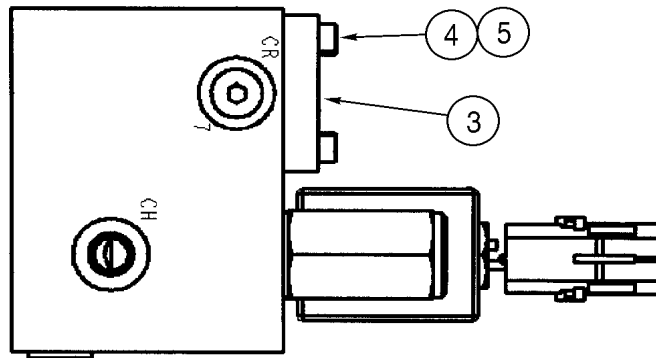
VALVE ASSY - HITCH, THREE POINT (FOUR SPOOL CONTROL VALVE)



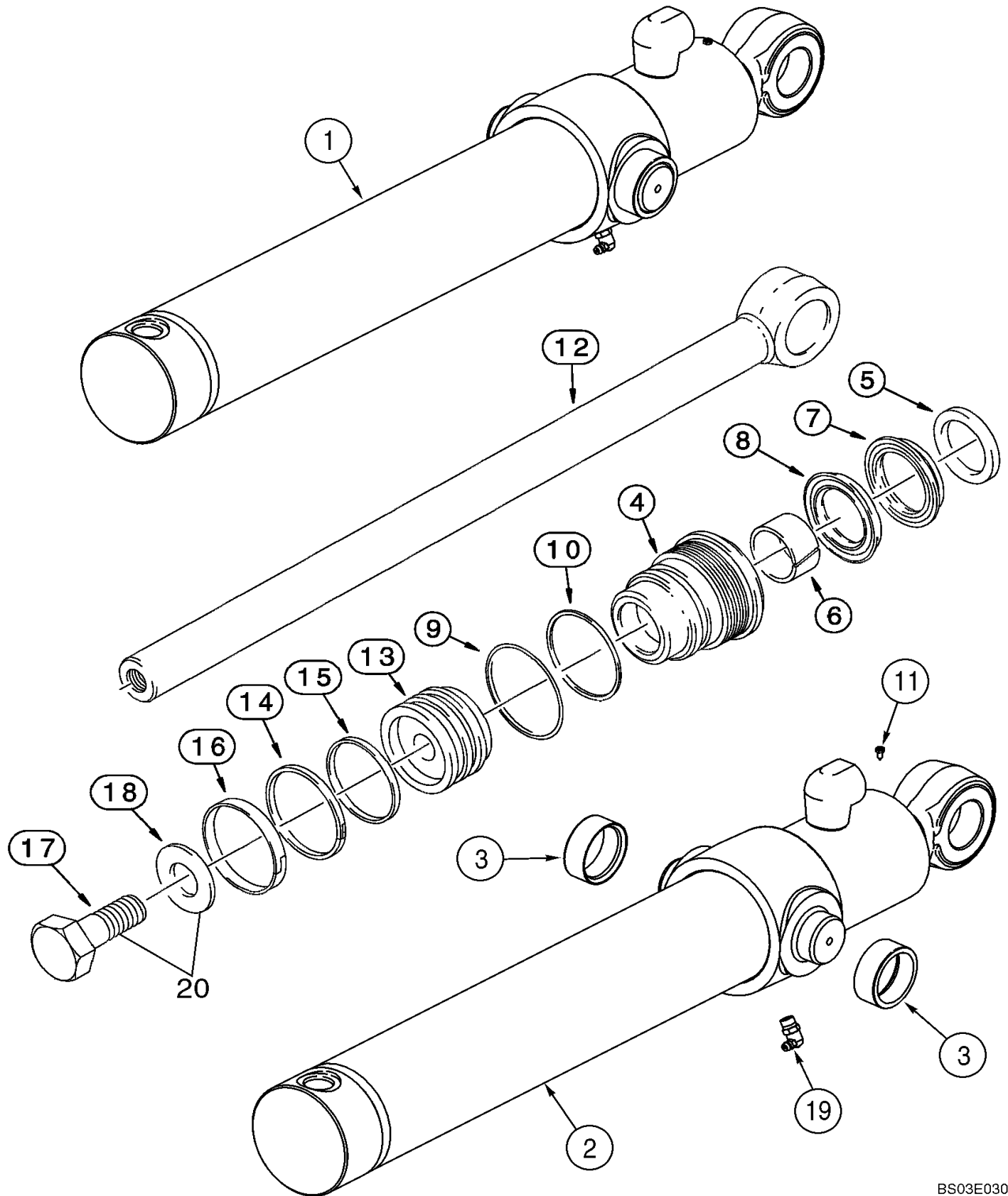
VALVE SECTION - HITCH LIFT



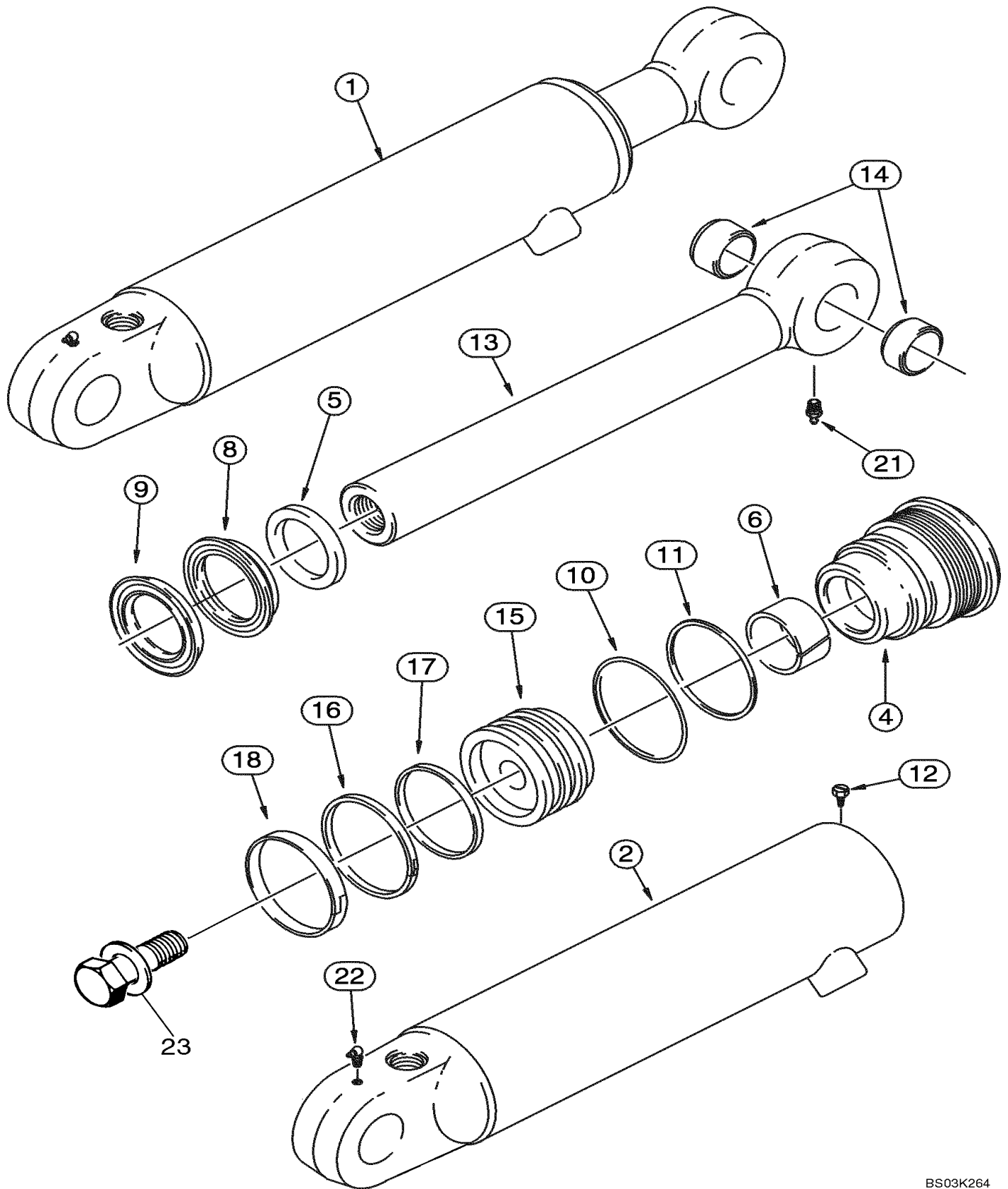
VALVE, LOCK - HITCH, THREE POINT



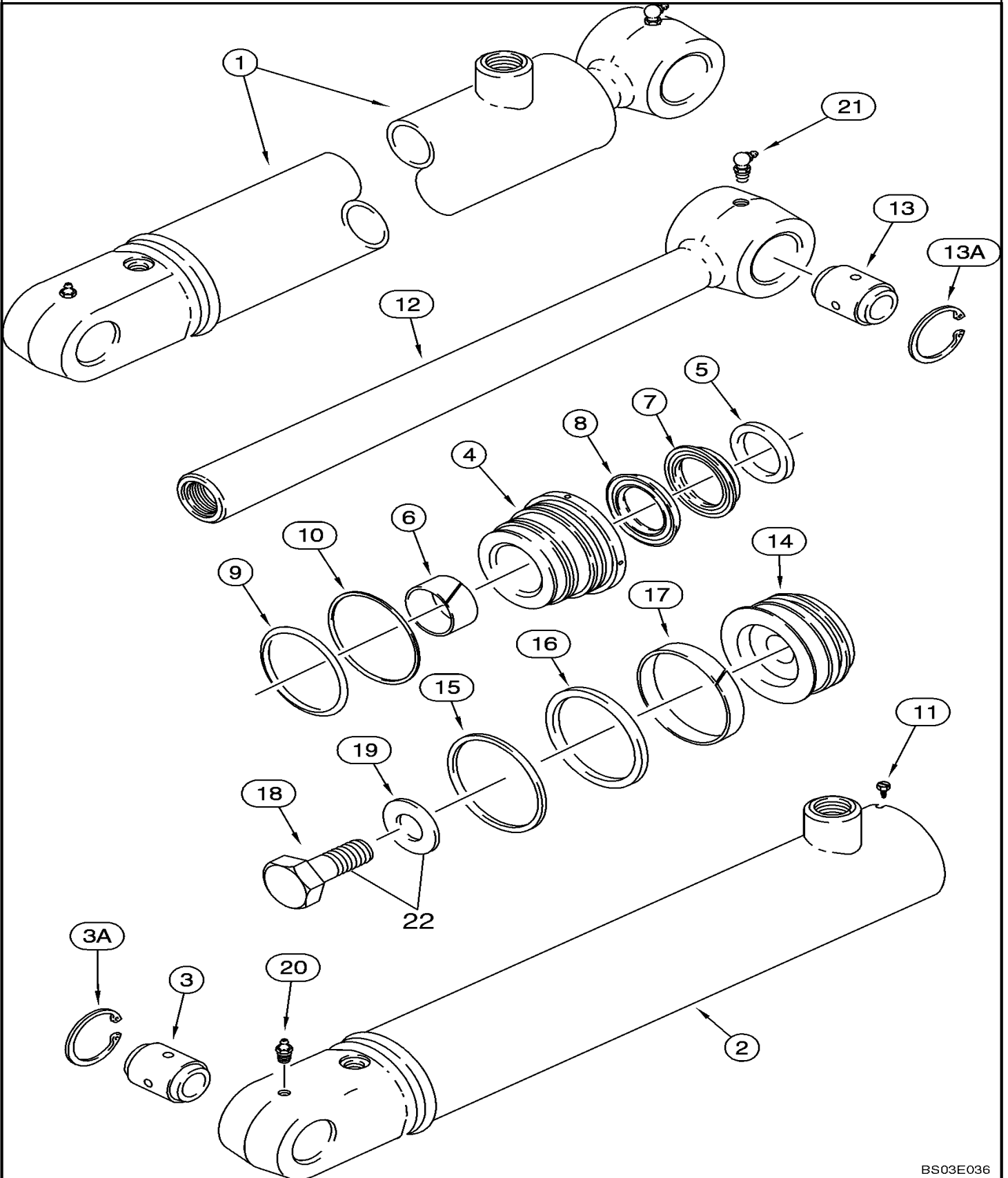
113133A2 CYLINDER ASSY - LOADER BUCKET



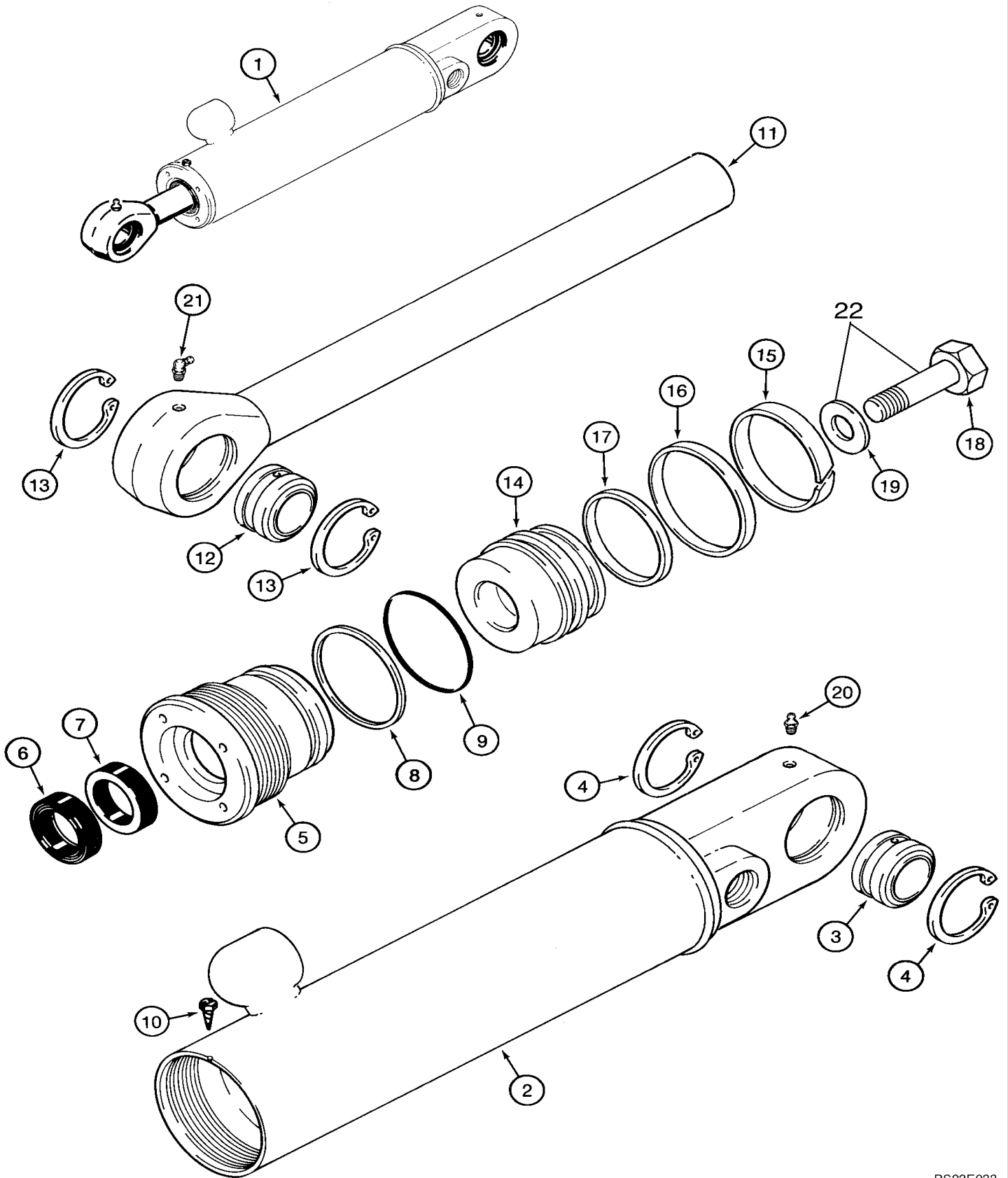
CYLINDER ASSY - LOADER CLAM



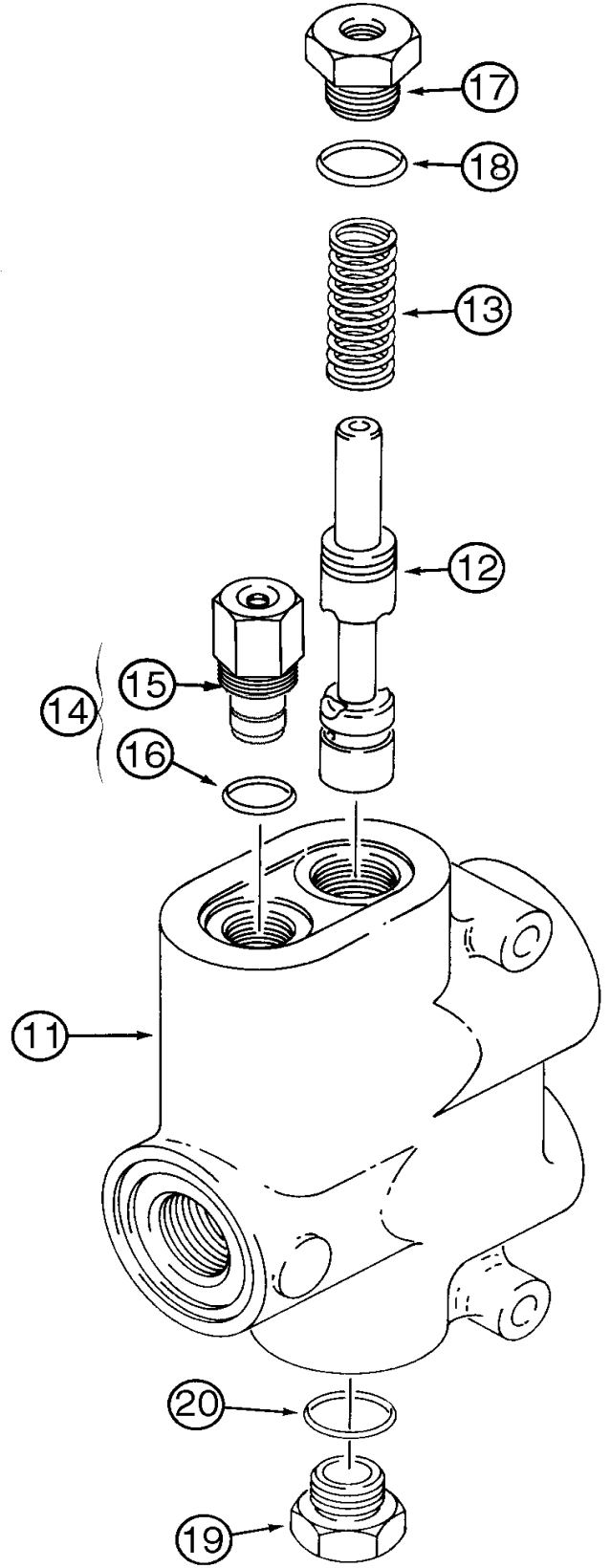
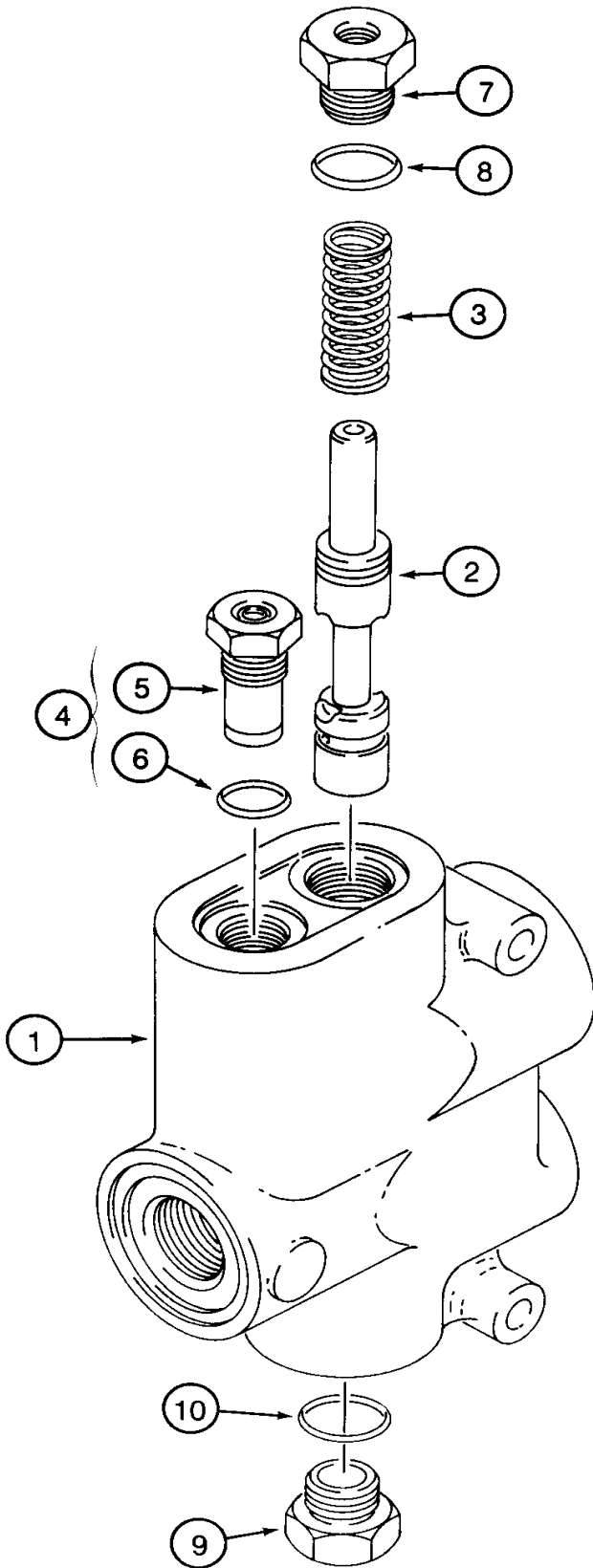
CYLINDER ASSY - HITCH LIFT, THREE POINT (GRAY)



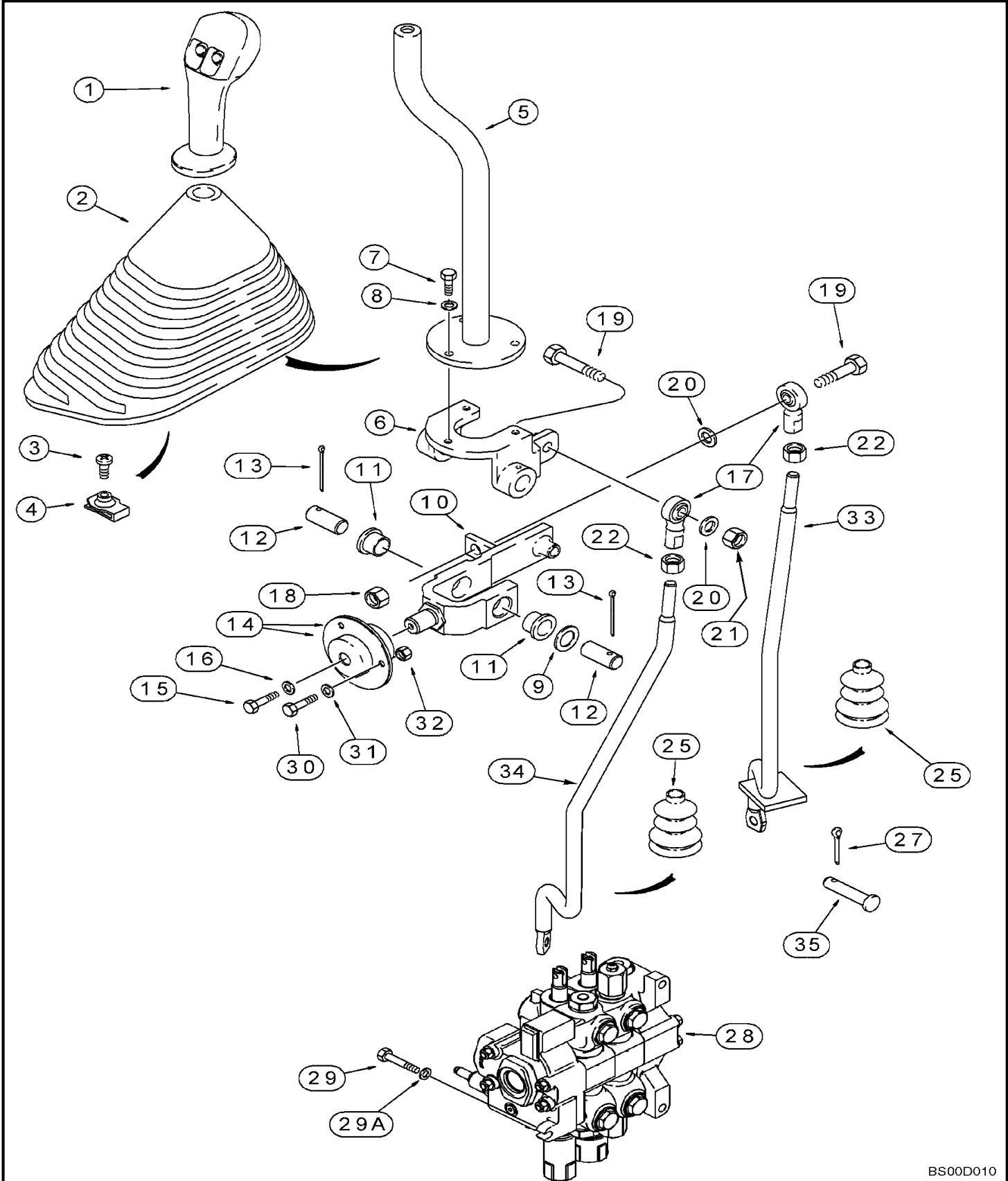
CYLINDER ASSY - HITCH PITCH, THREE POINT (TAN)



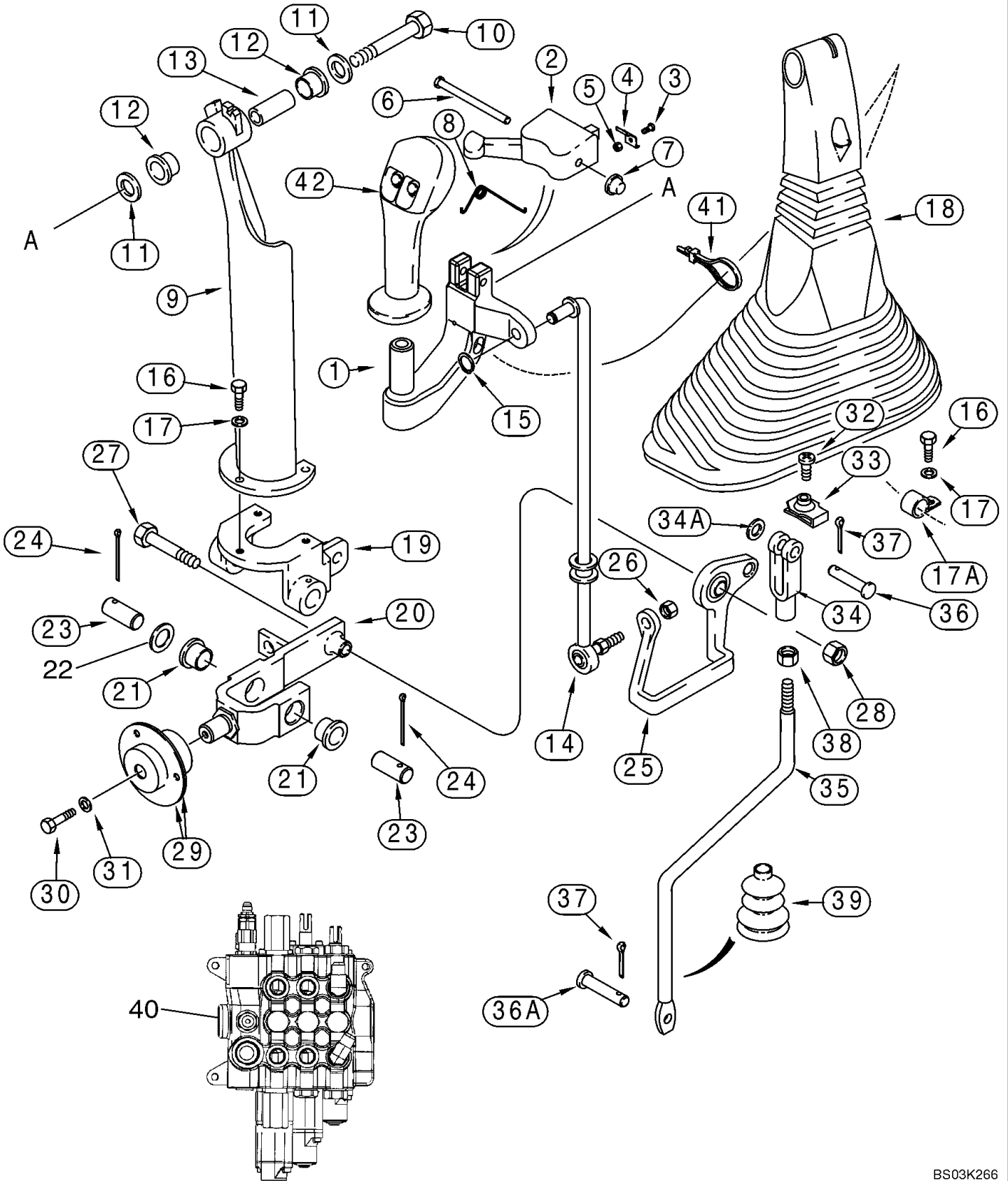
VALVE ASSY - FLOW CONTROL/PRIORITY



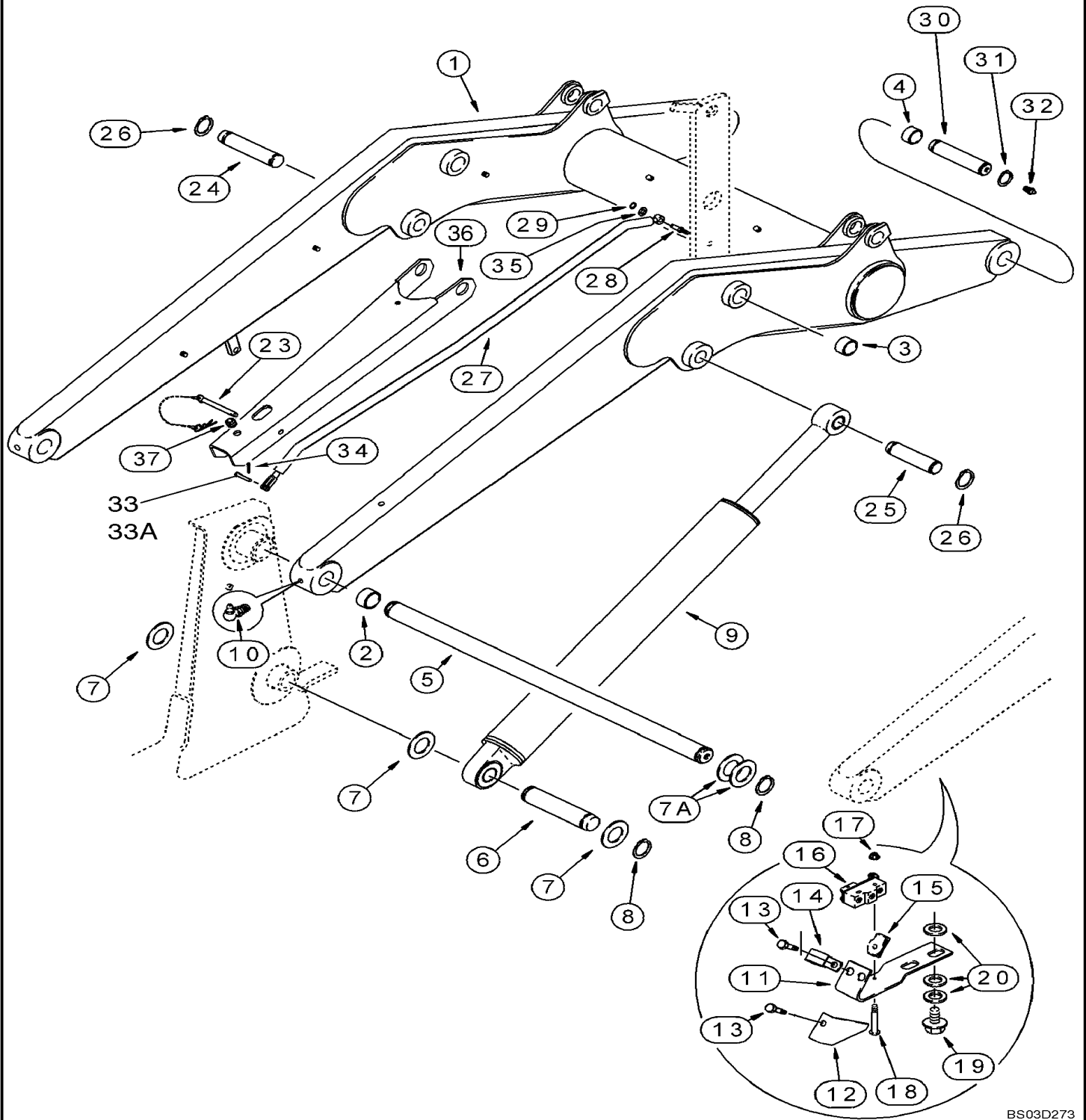
CONTROLS - LOADER LIFT AND BUCKET



CONTROLS - LOADER CLAM (MODELS WITH HUSCO LOADER VALVE)



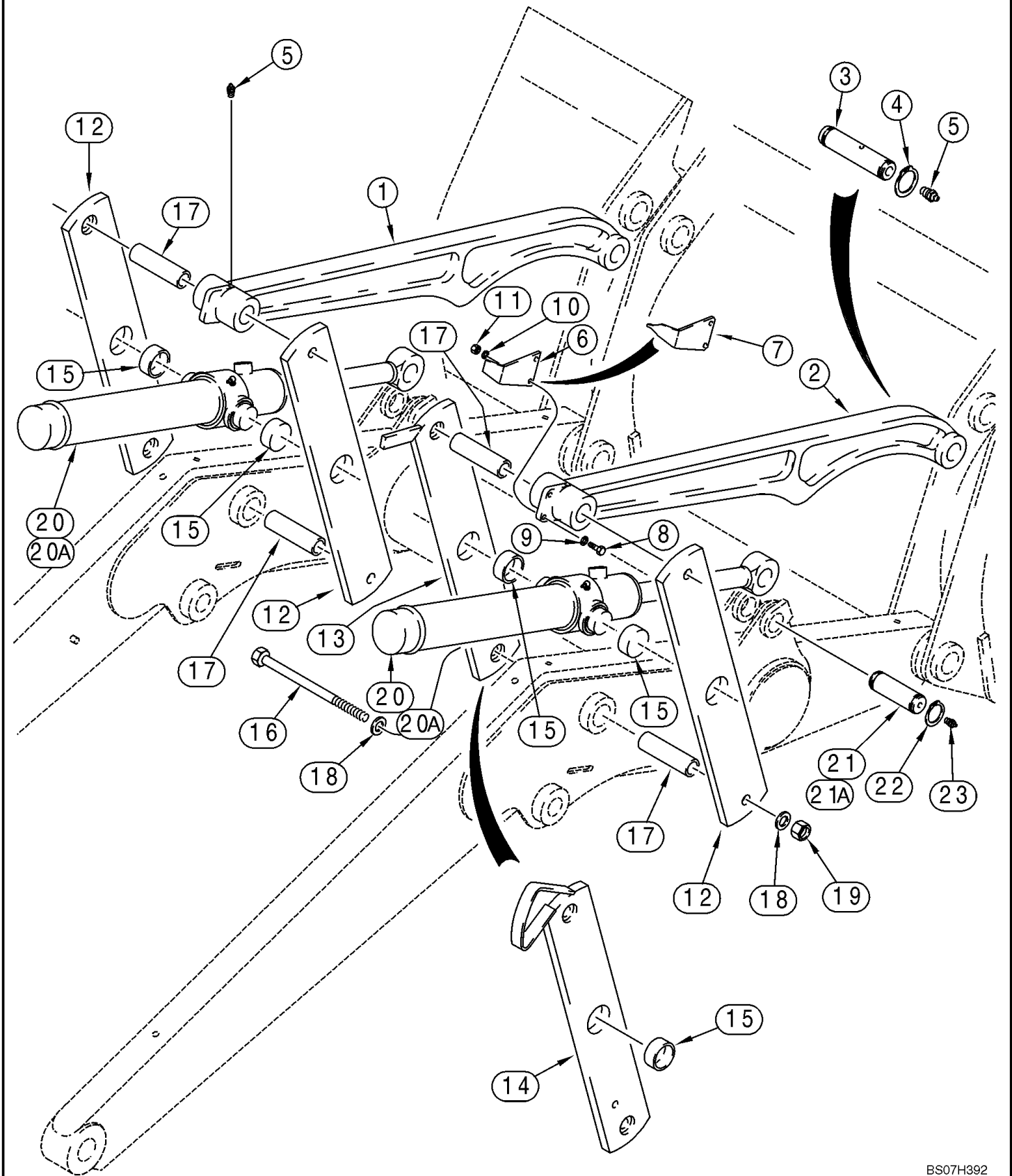
FRAME - LOADER LIFT, IF USED, SEE REF 1



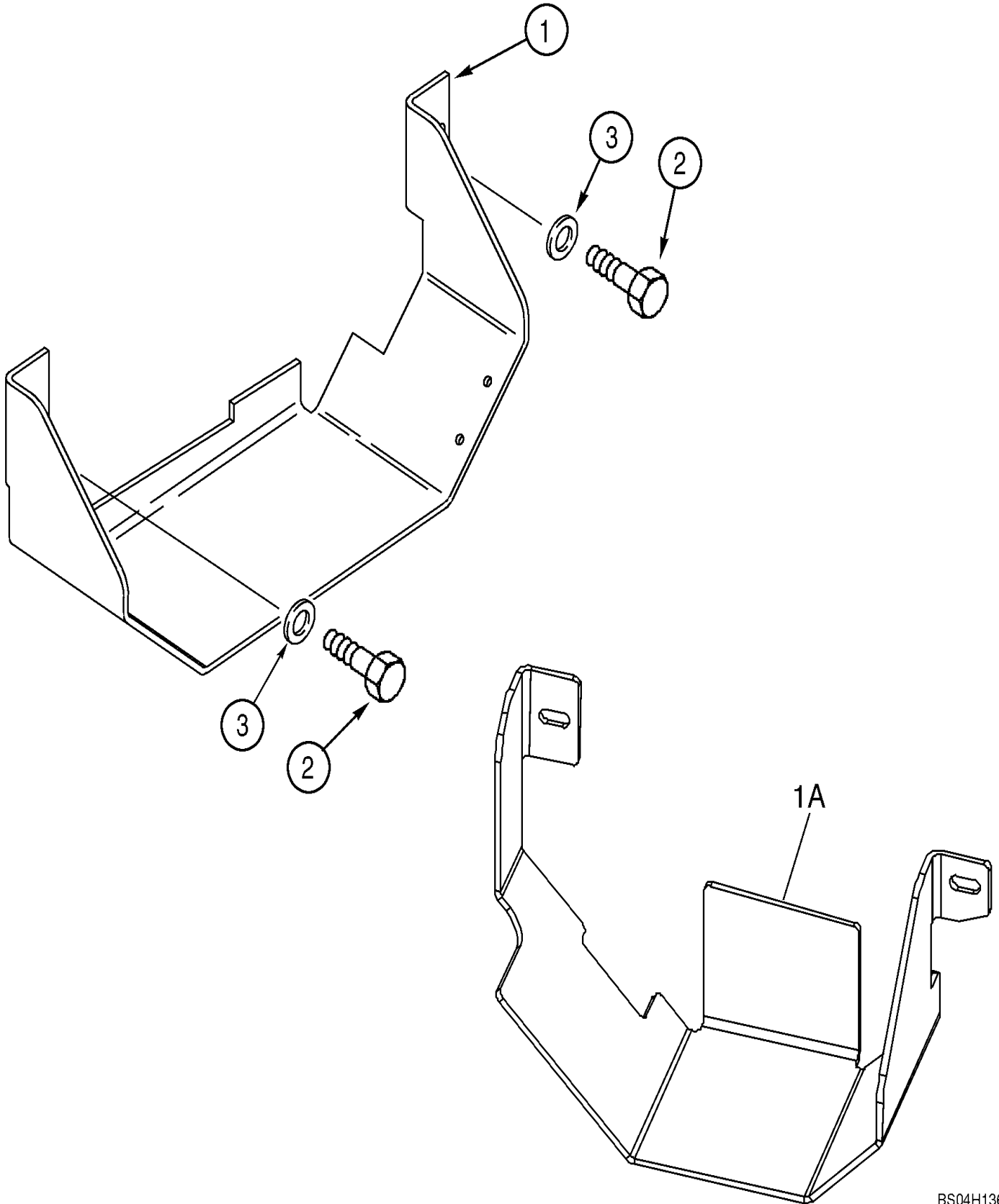
BS03D273

Due To The Configuration Of The New Lift Arm On 09-04A, The Following Parts Also Need To Be Ordered: 87610317, 87610320 Tubes, Ref 13A, 14A On Fig 08-04; 87609669 Ldr Bucket Cylinder, Ref 34A On Fig 08-04; 335177A1, 87623771 Pins, Ref 6, 25 On Fig 09-04A; 87614481 Anti-Rollback Rod, Ref 27 On Fig 09-04A And 87608695 Pin, Ref 21A On Fig 09-05. If Unit Is Equipped w/ Ldr Tool Quick Coupler Must Also Order 87615714, 87615708, 87661374 Tubes, Ref 1A, 2A, 8B On Fig 08-09. If Unit Is Equipped w/ Ldr Clam Must Also Order 87611328, 87611326 Tubes, Ref 12A, 13A On Fig 08-05.

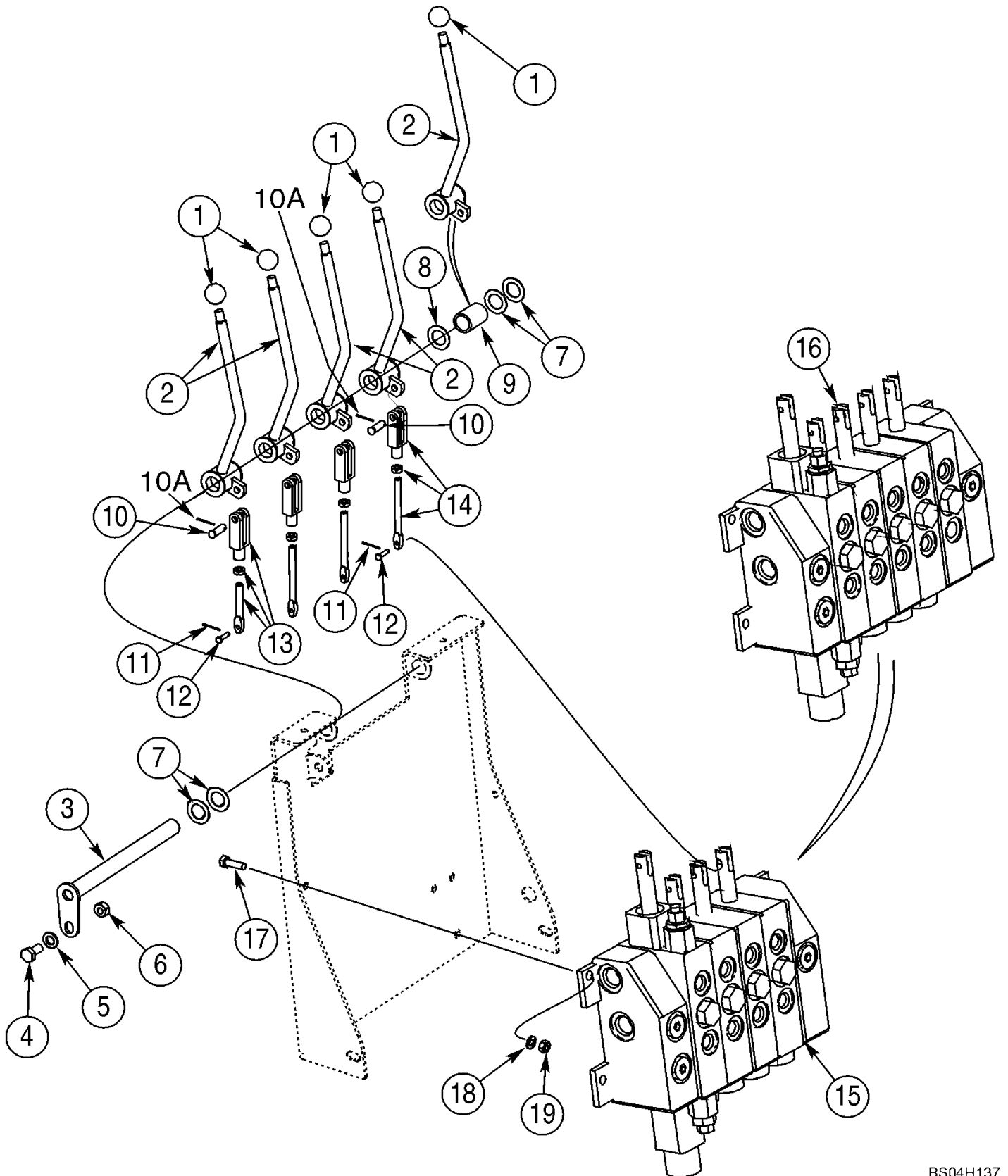
FRAME - LOADER LINKAGE



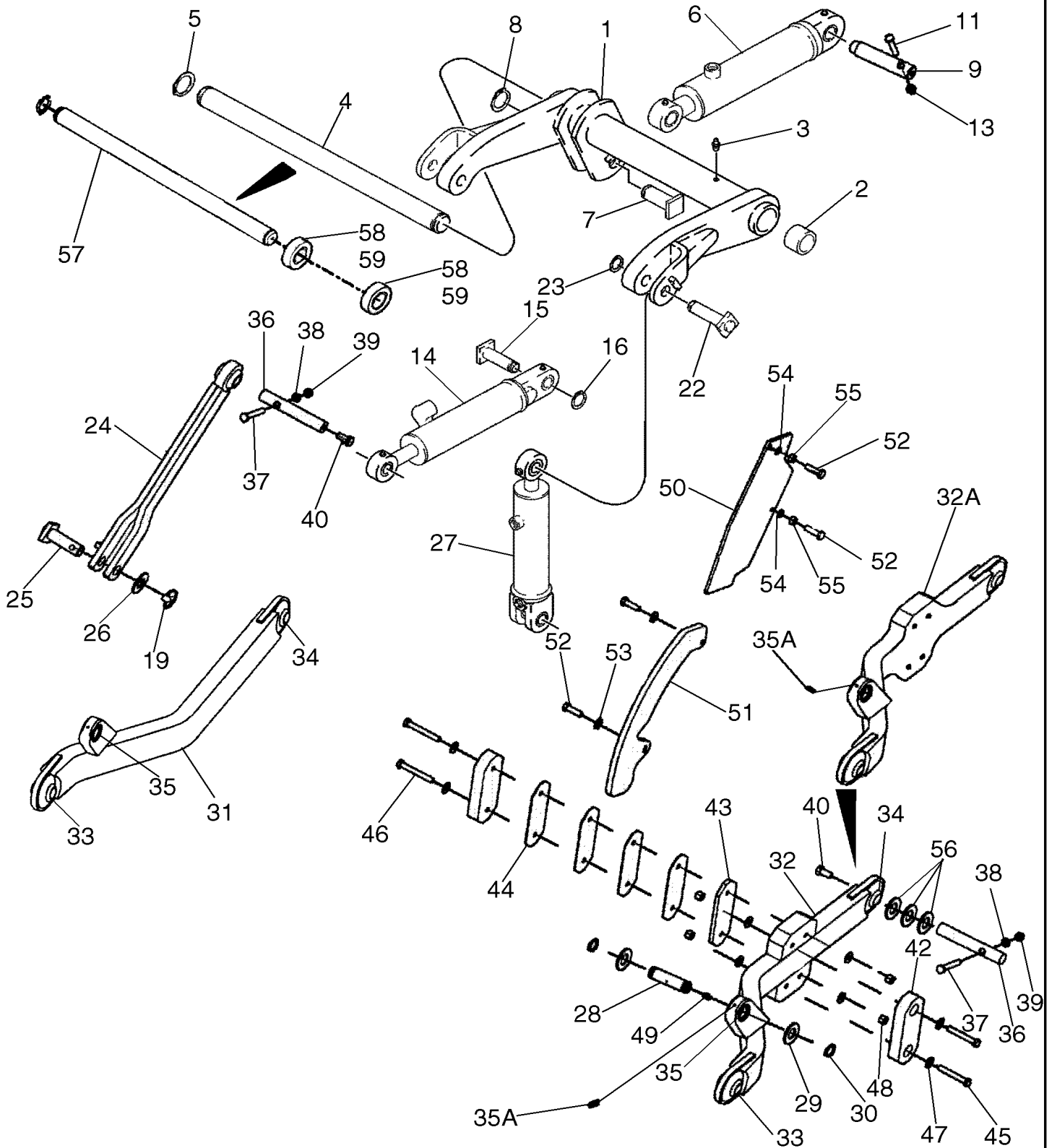
GUARD - VALVE, LOADER



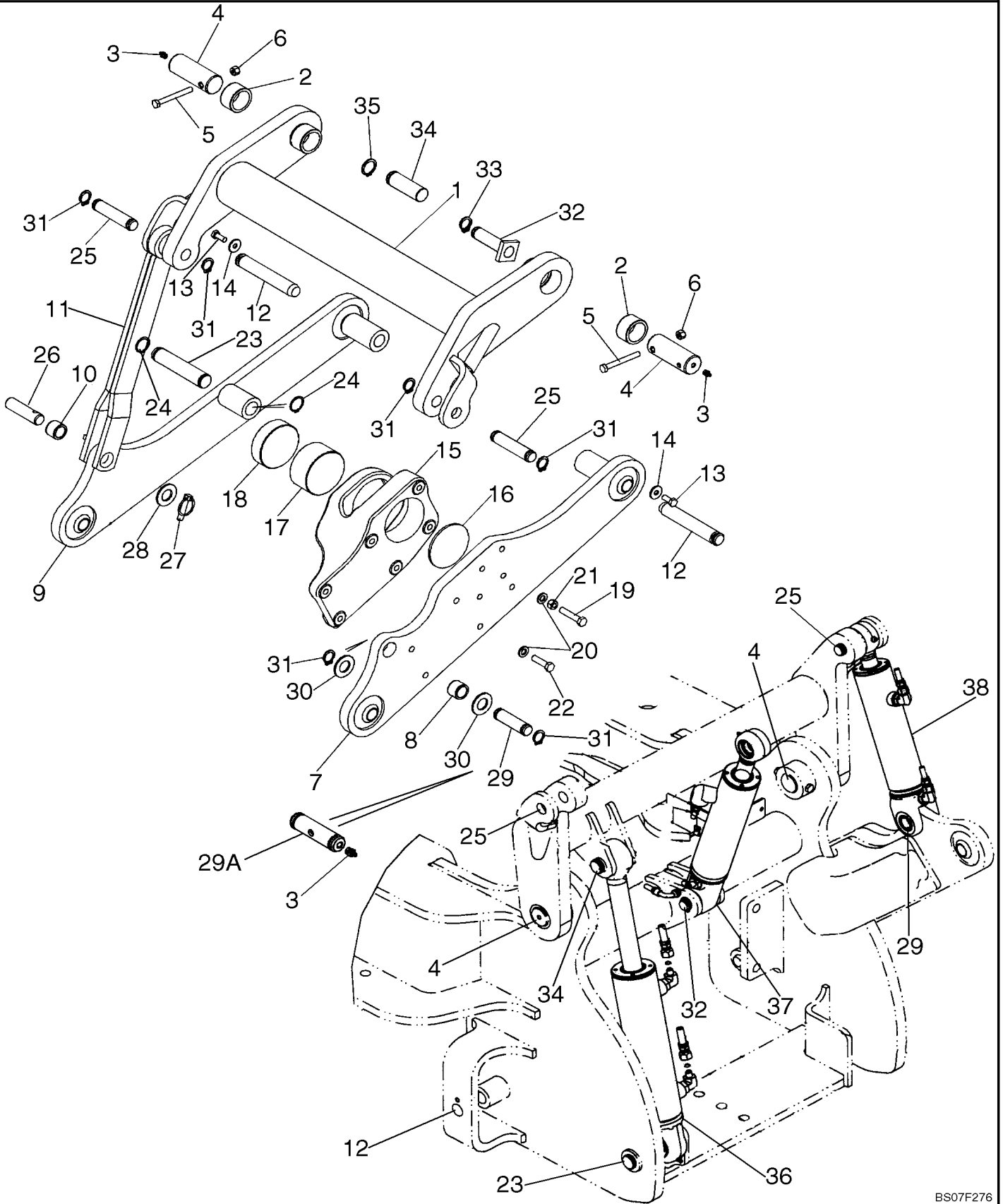
CONTROLS - HITCH, THREE POINT



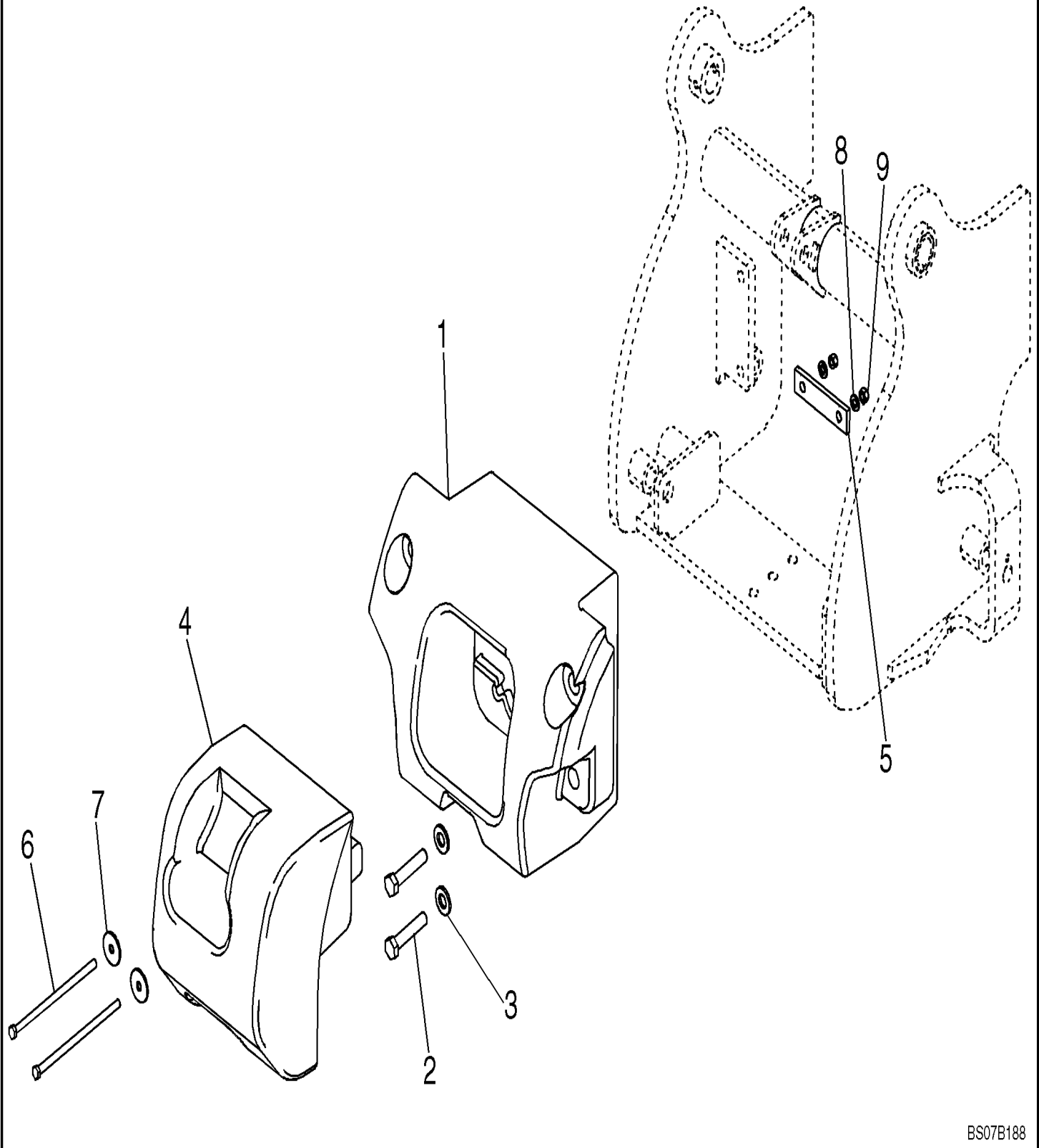
FRAME - HITCH, THREE POINT (IF USED)



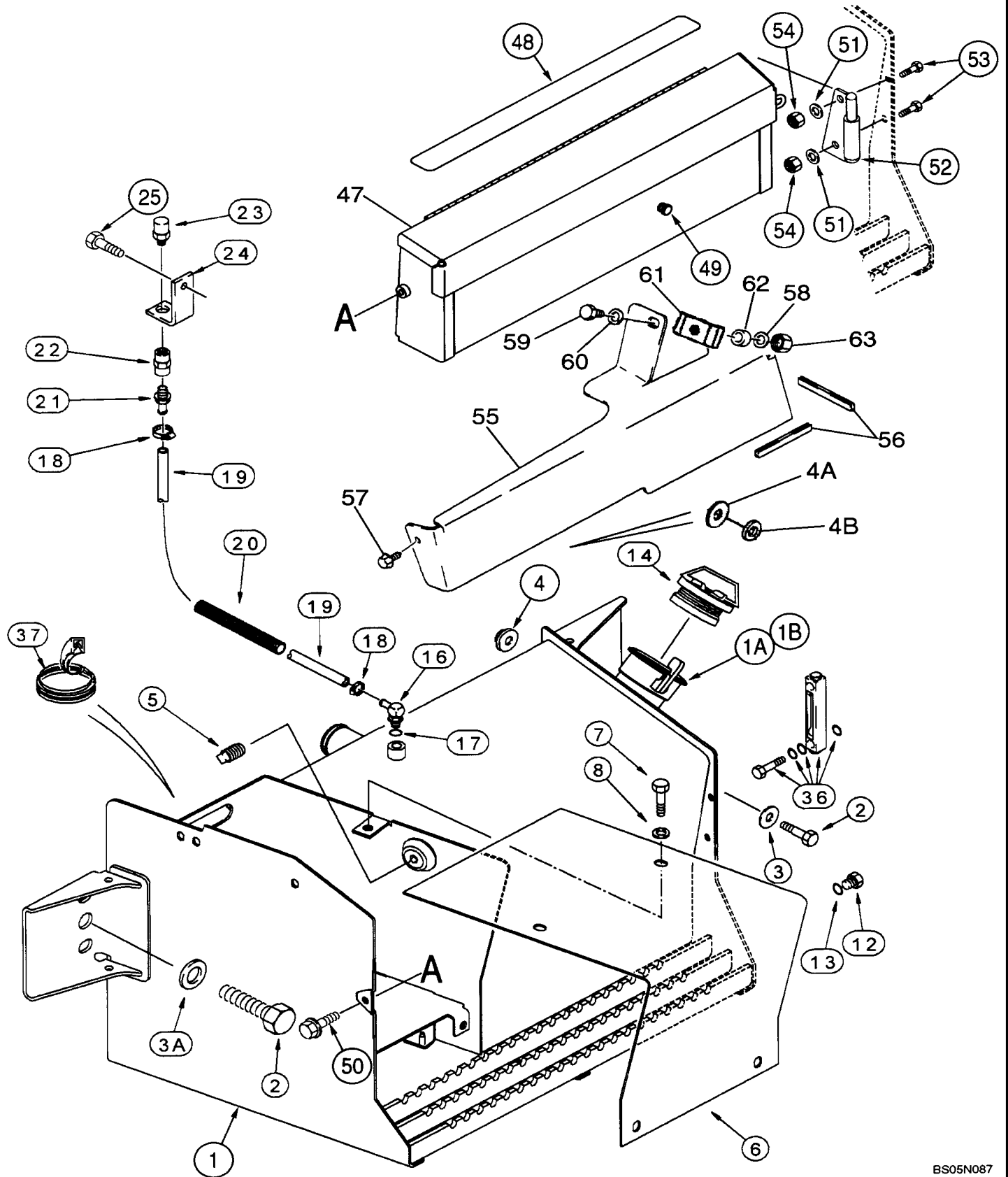
FRAME - HITCH, THREE POINT (STRAIGHT DRAFT ARMS W/ADJUSTING CALIPER; IF USED)



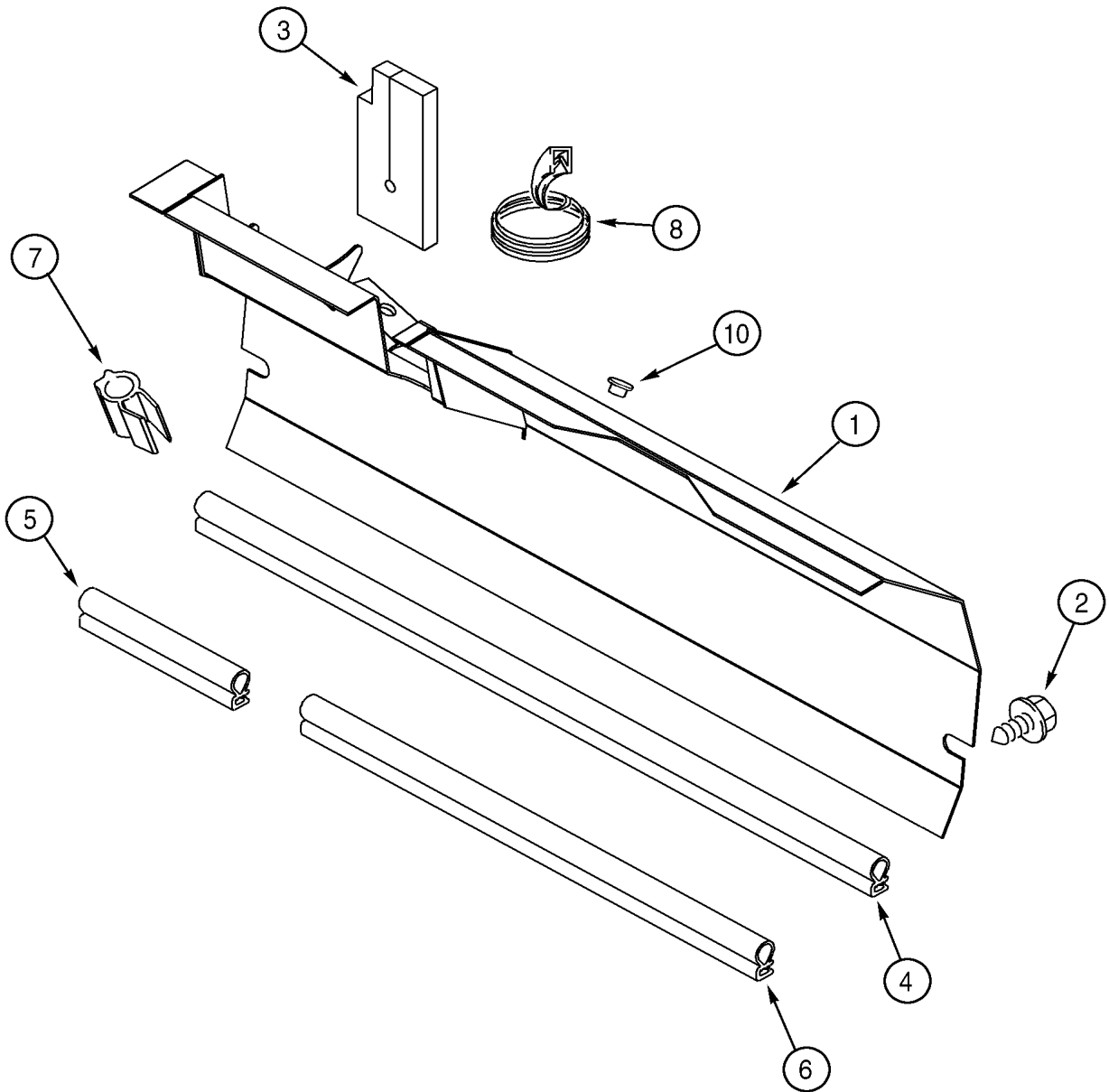
COUNTERWEIGHT, REAR (W/PTO ACCESS)



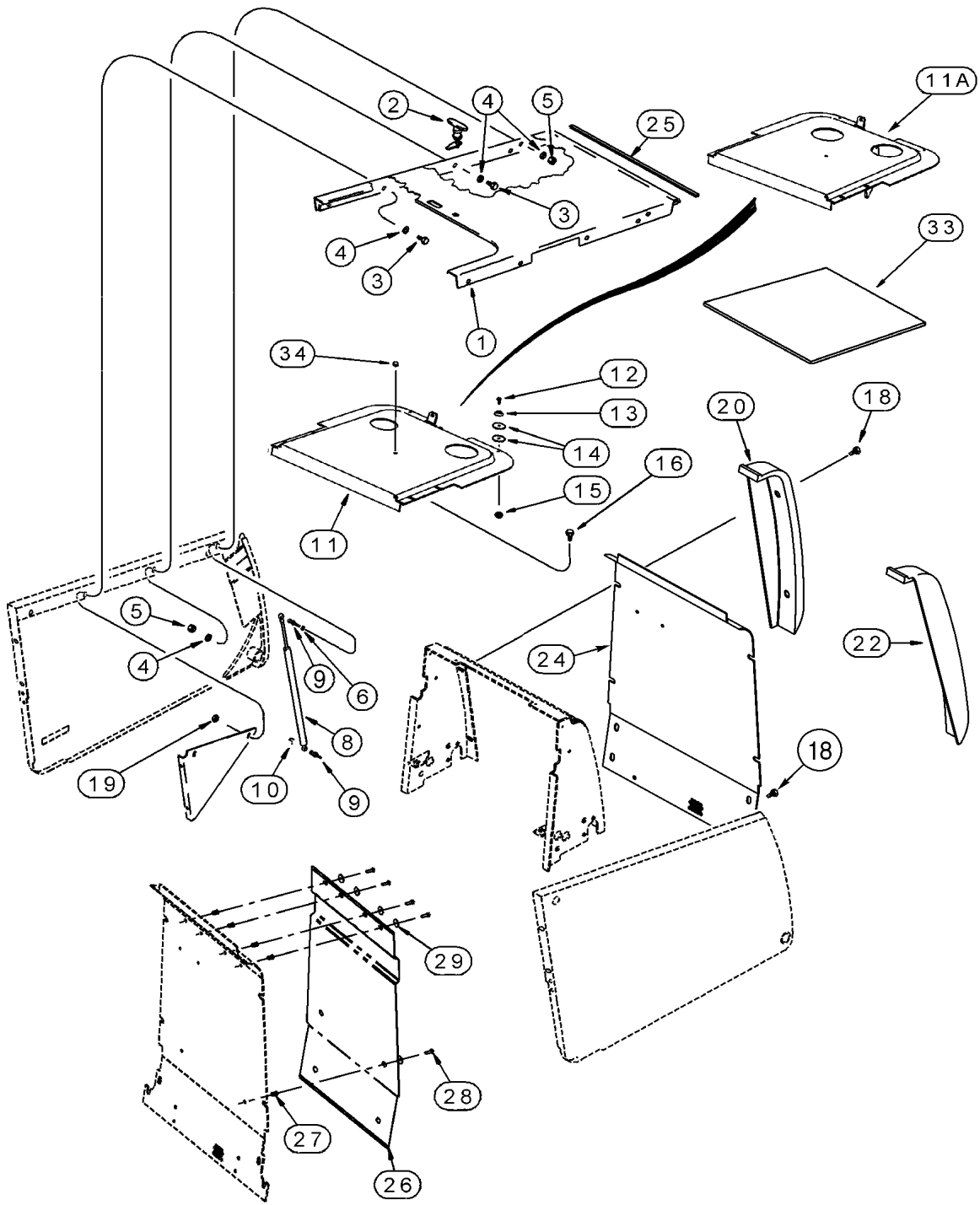
TANK, OIL - BOX, BATTERY AND TOOL



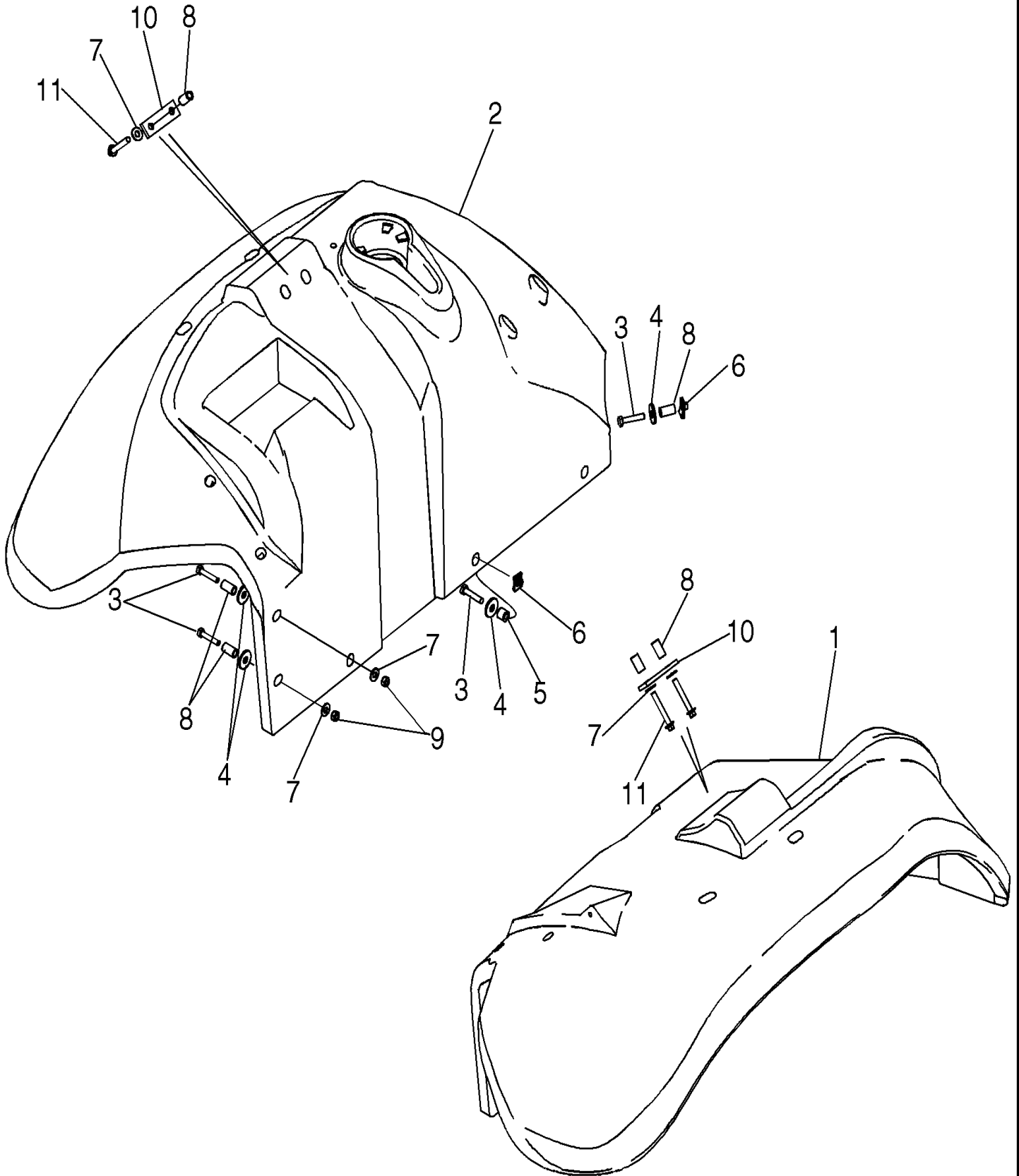
BAFFLE - PLATE (MODELS WITH AIR CONDITIONING)



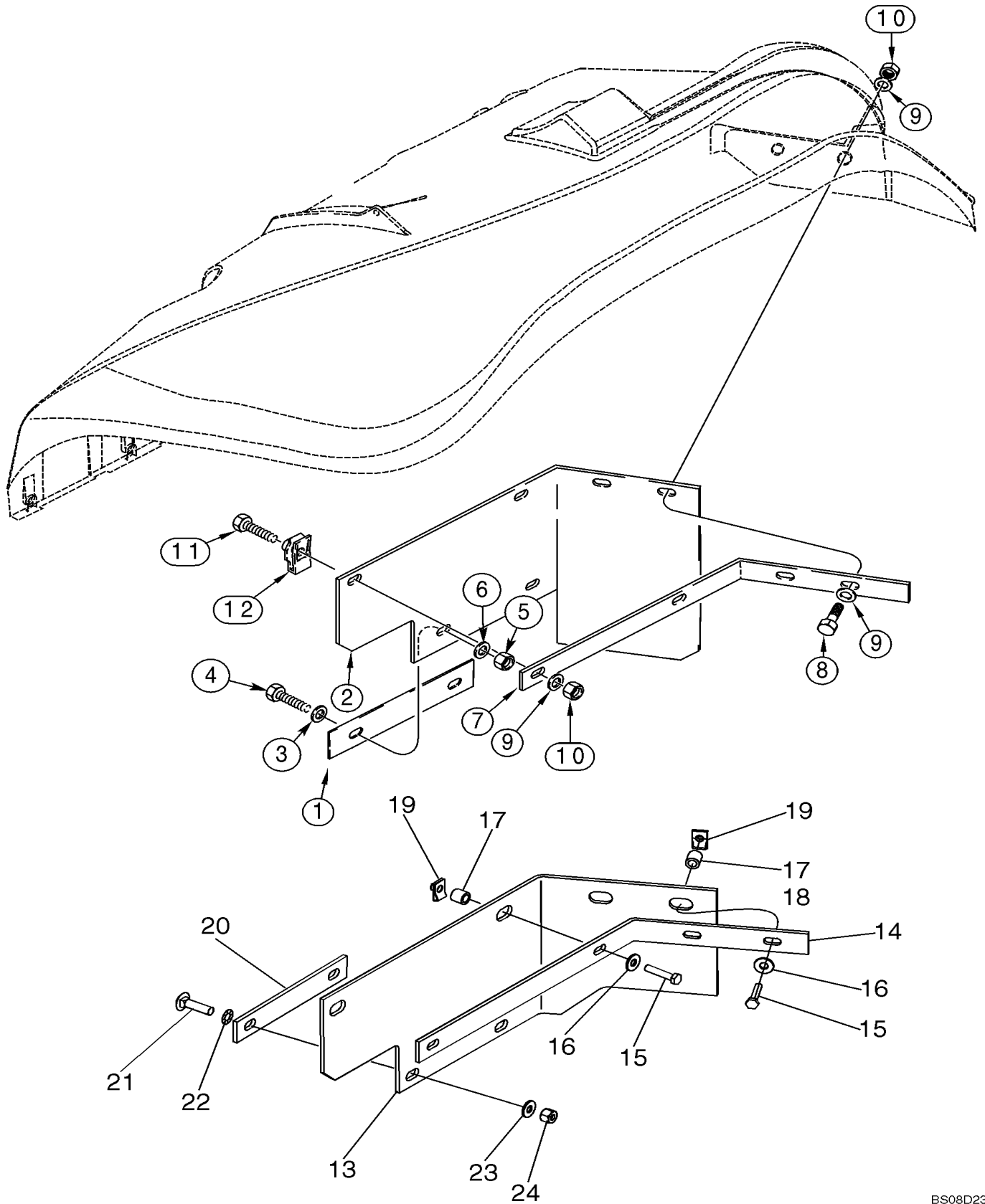
HOOD - GRILLE AND CHAFF SCREEN



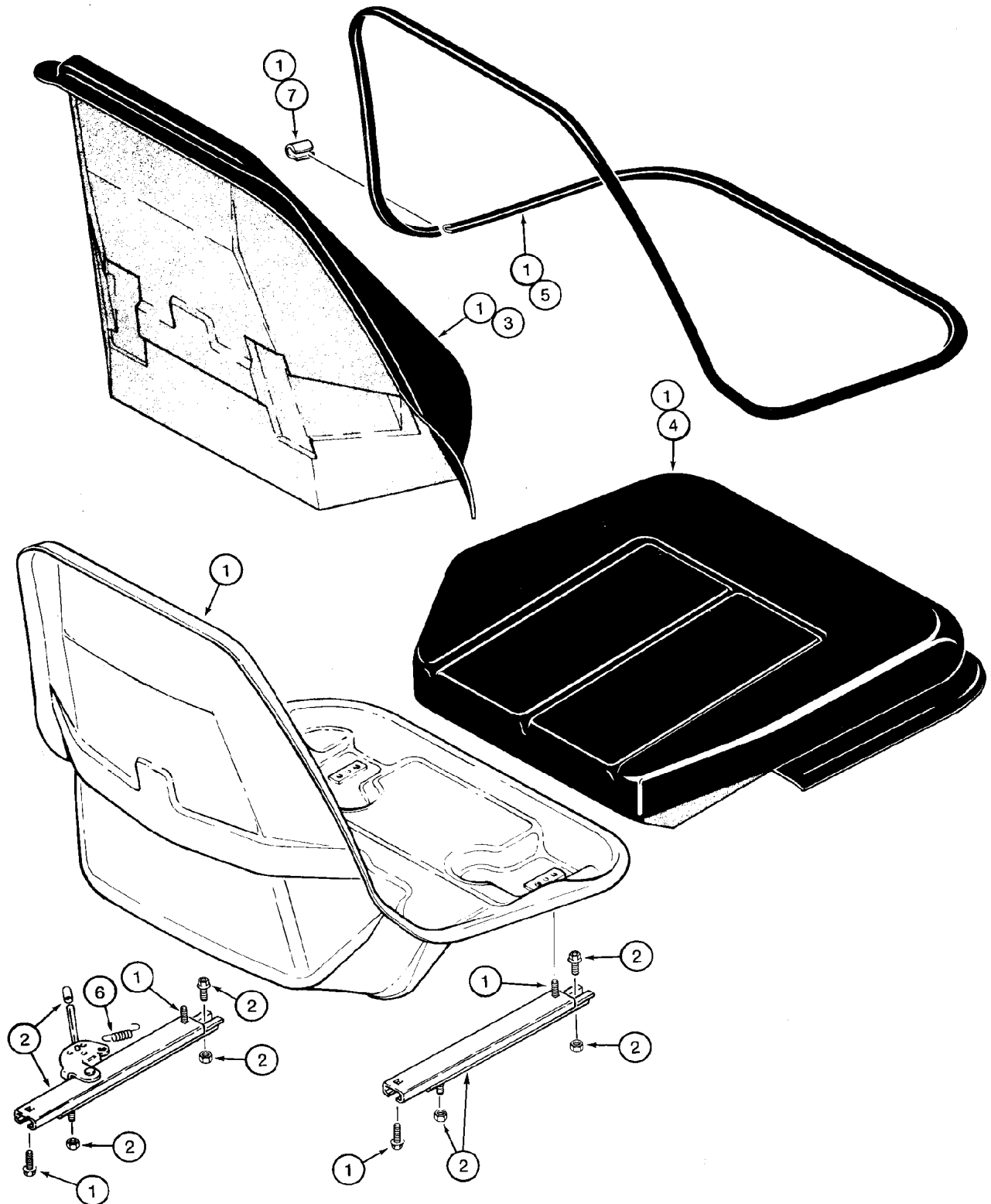
FENDER, REAR (CANOPY MODELS) (IF USED)



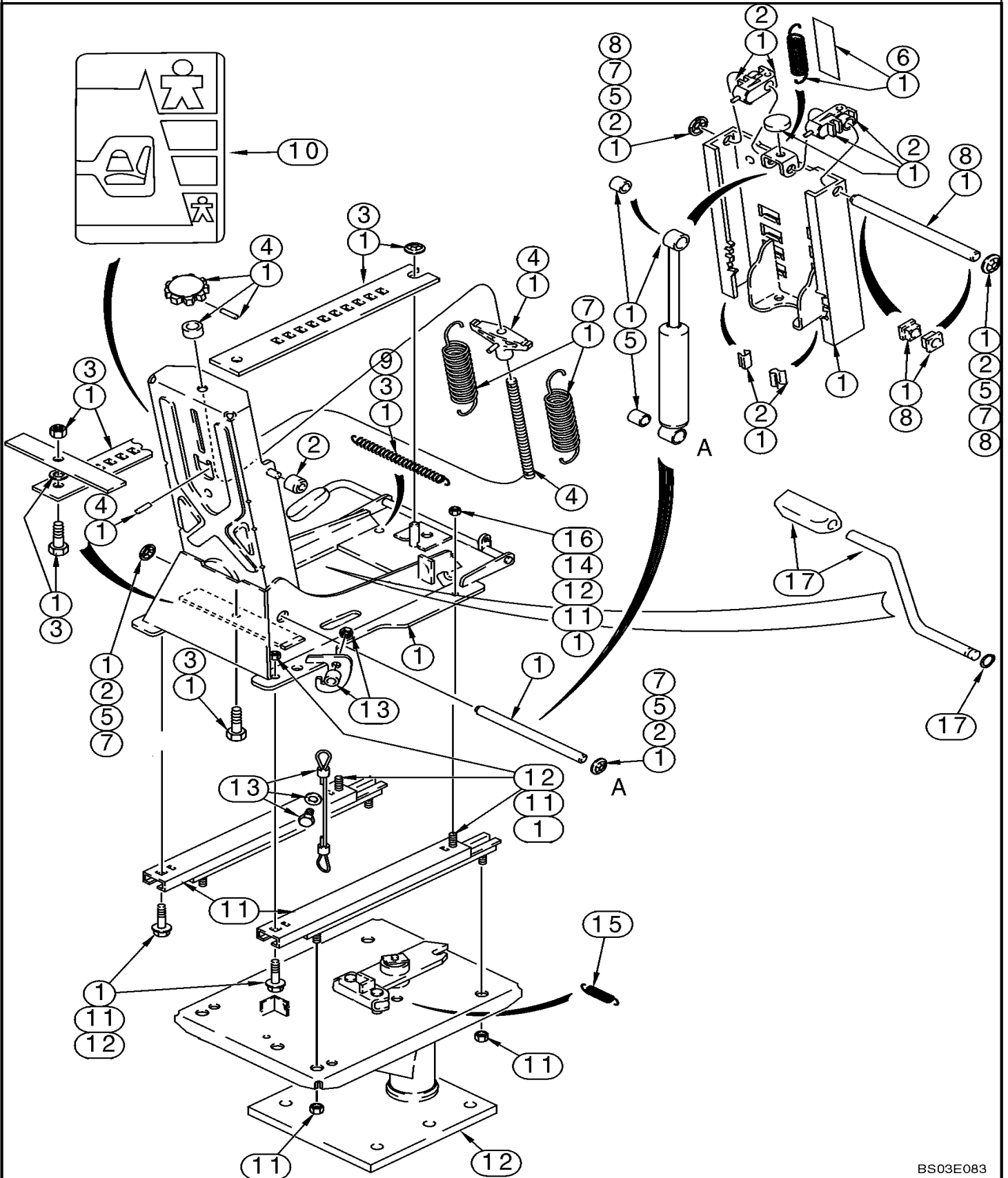
GUARD, MUD



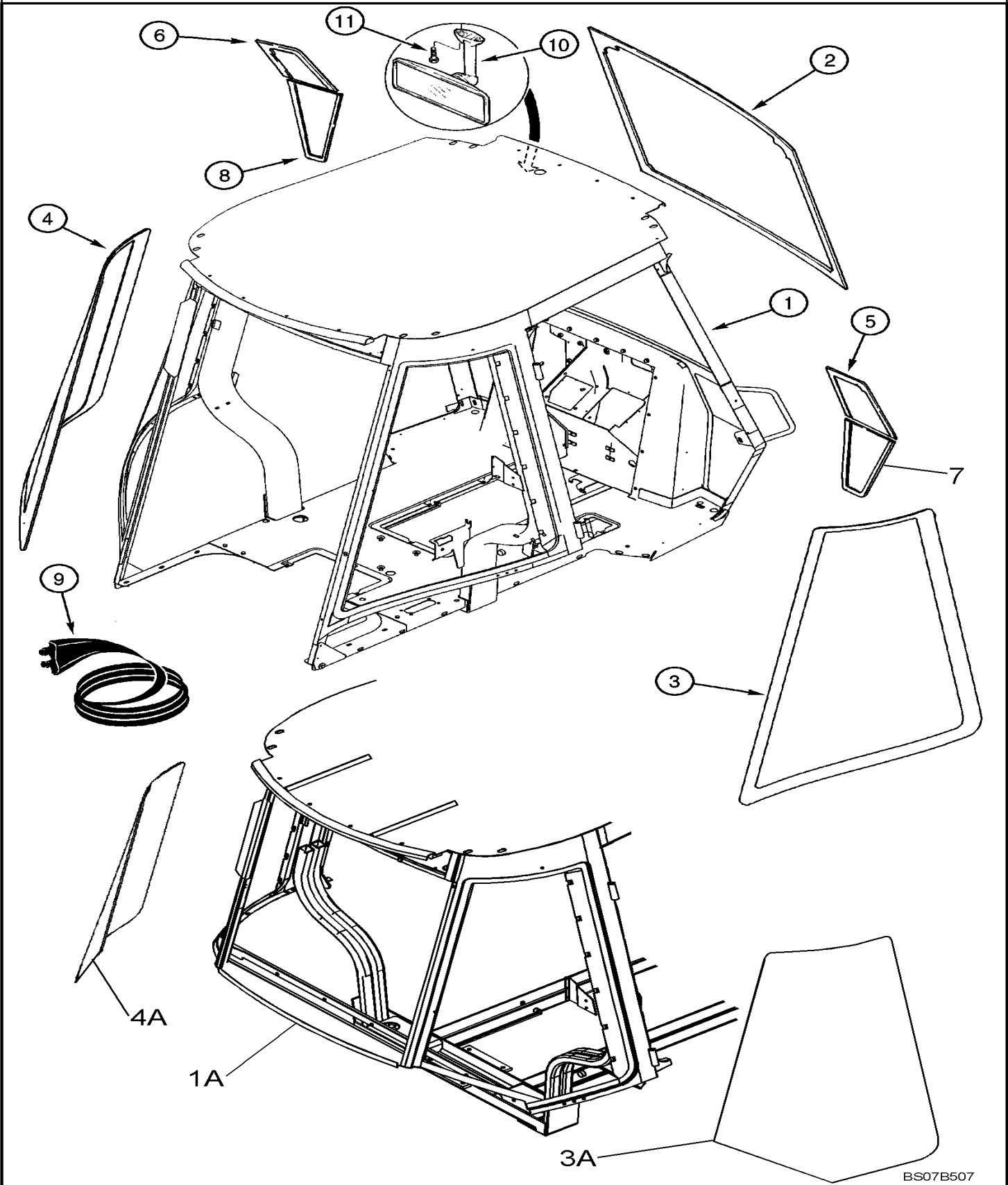
SEAT ASSY, STANDARD (MILSCO)



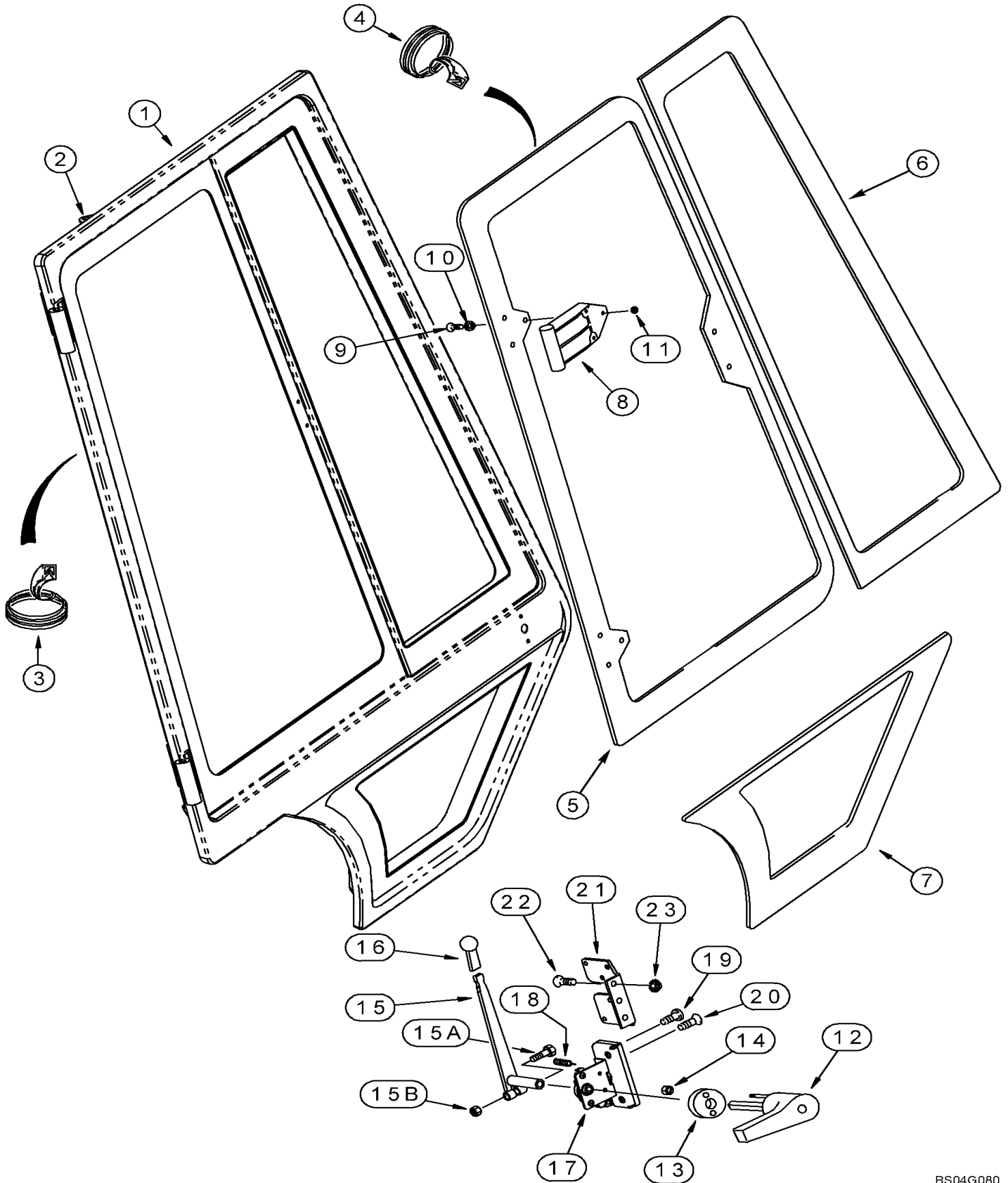
SEAT PEDESTAL AND SUSPENSION, MECHANICAL SUSPENSION (MILSCO)



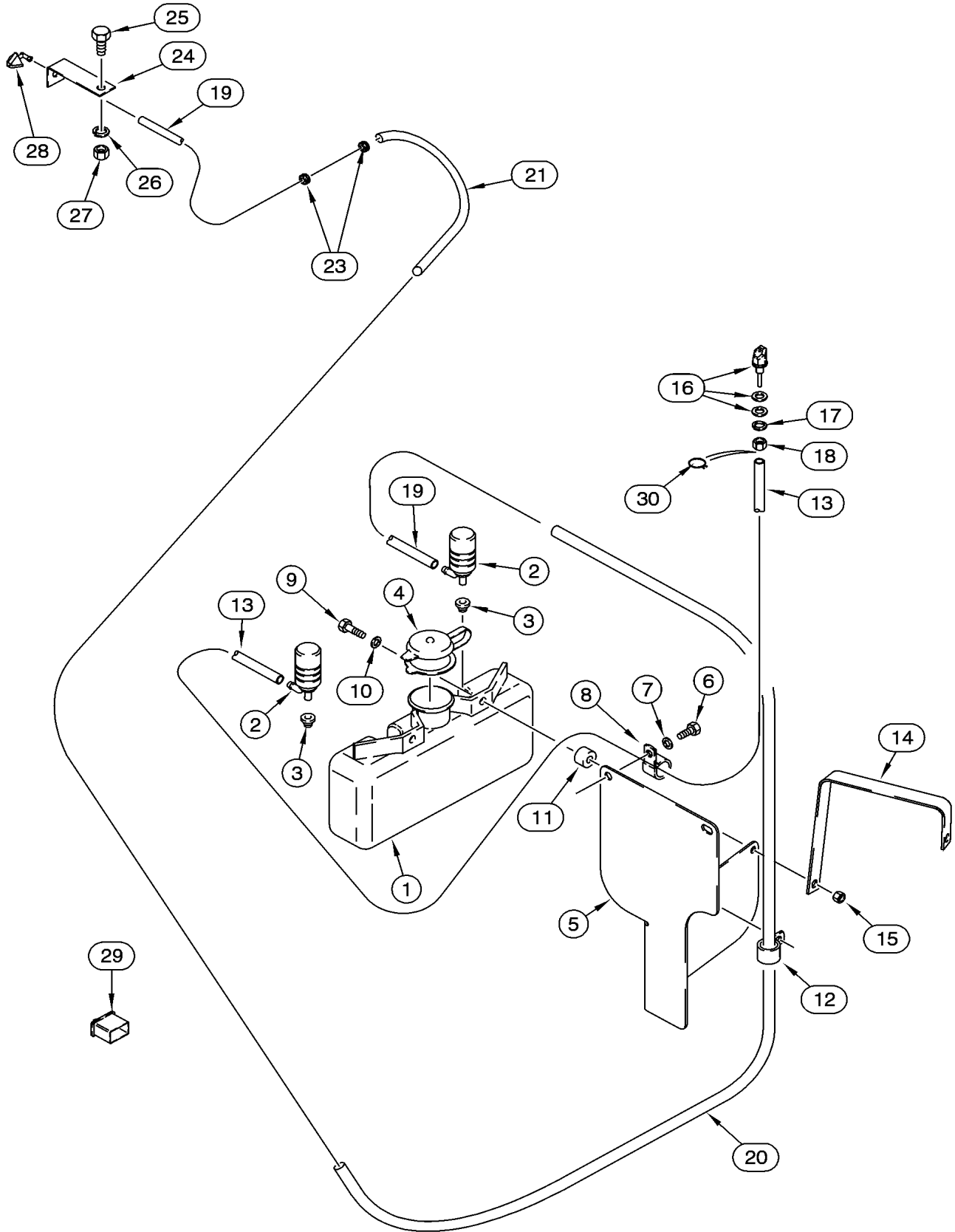
CAB - GLASS AND MIRROR



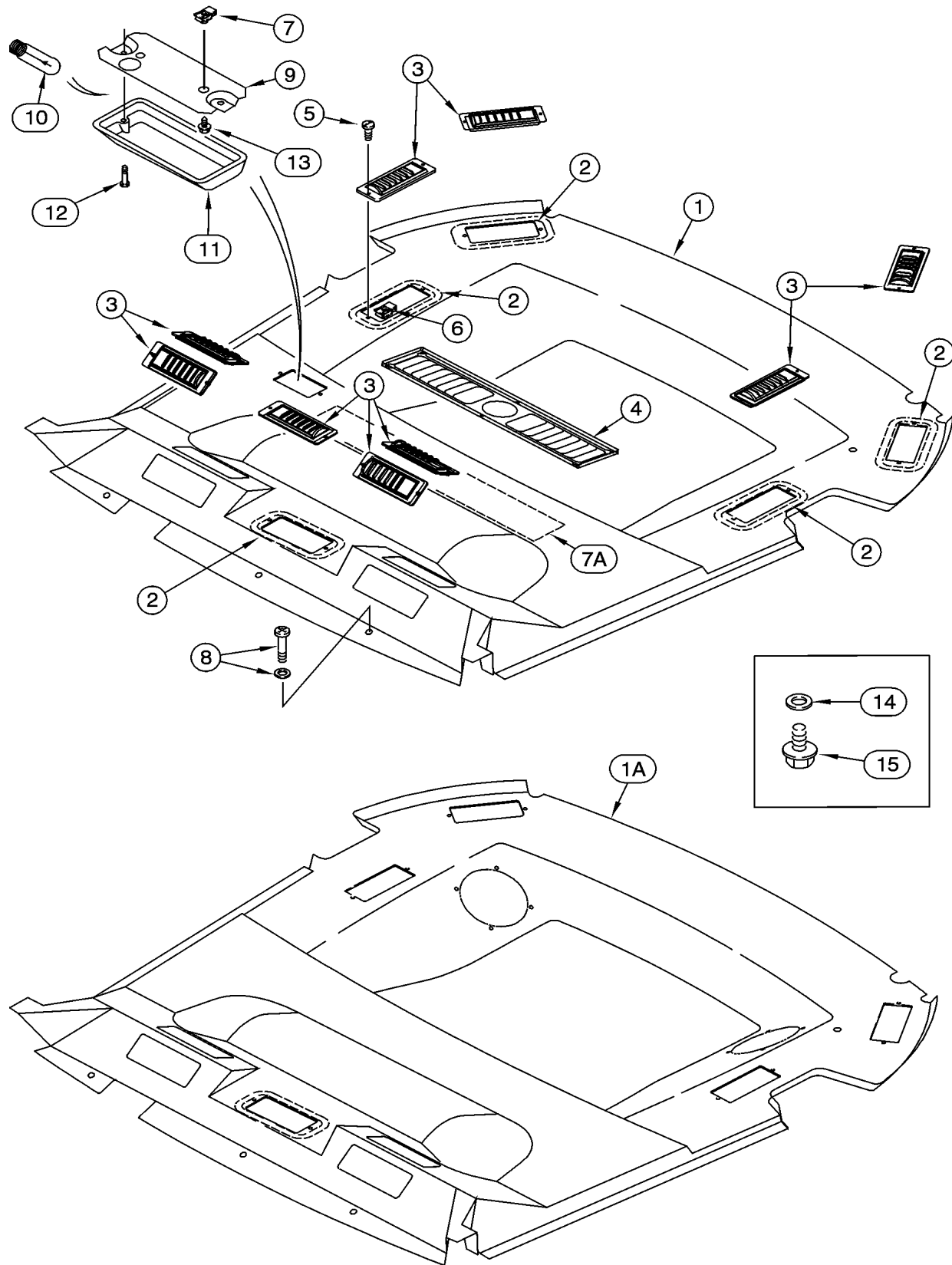
CAB - DOORS, EXTERIOR



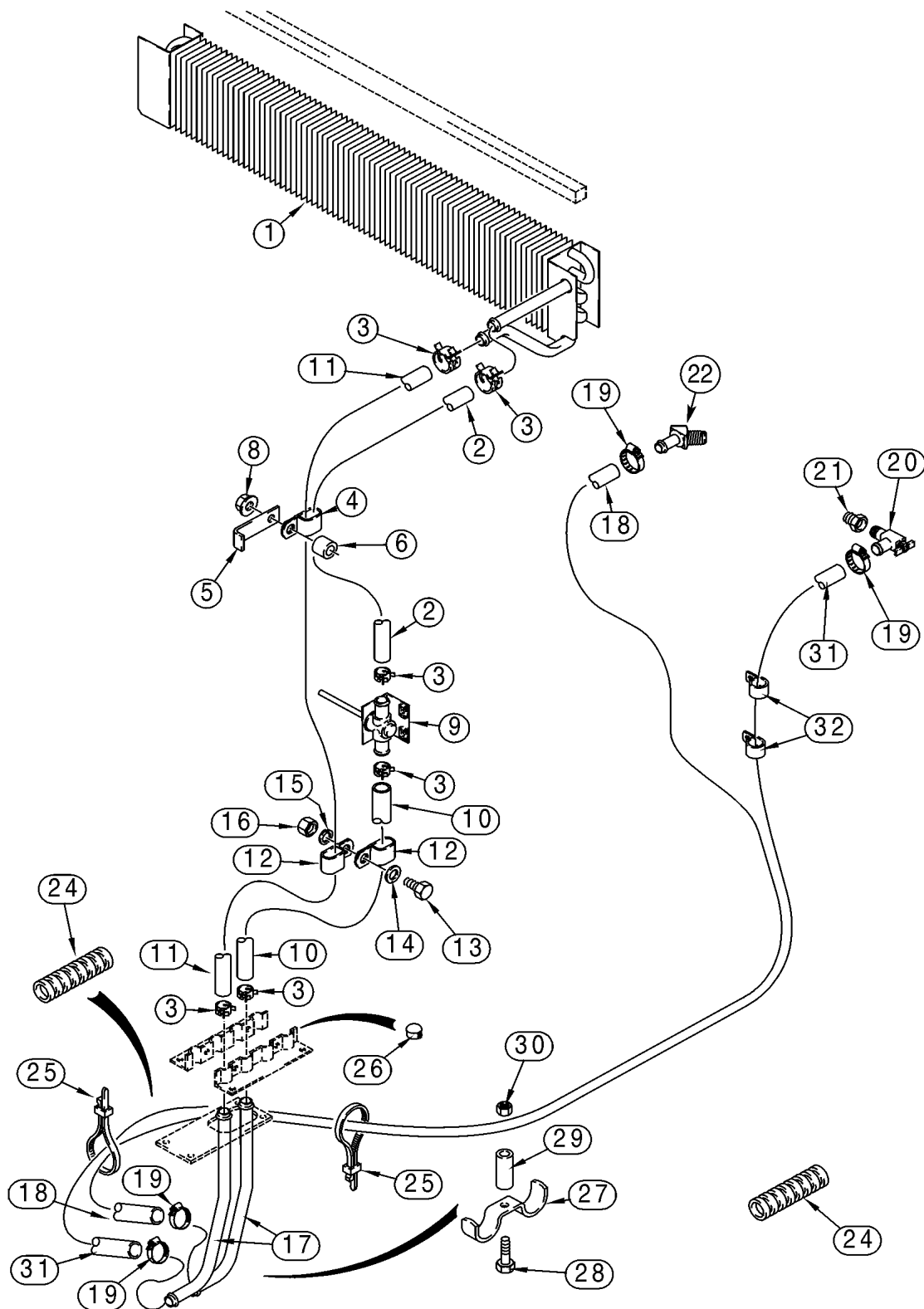
CAB - WASHER, WINDSHIELD



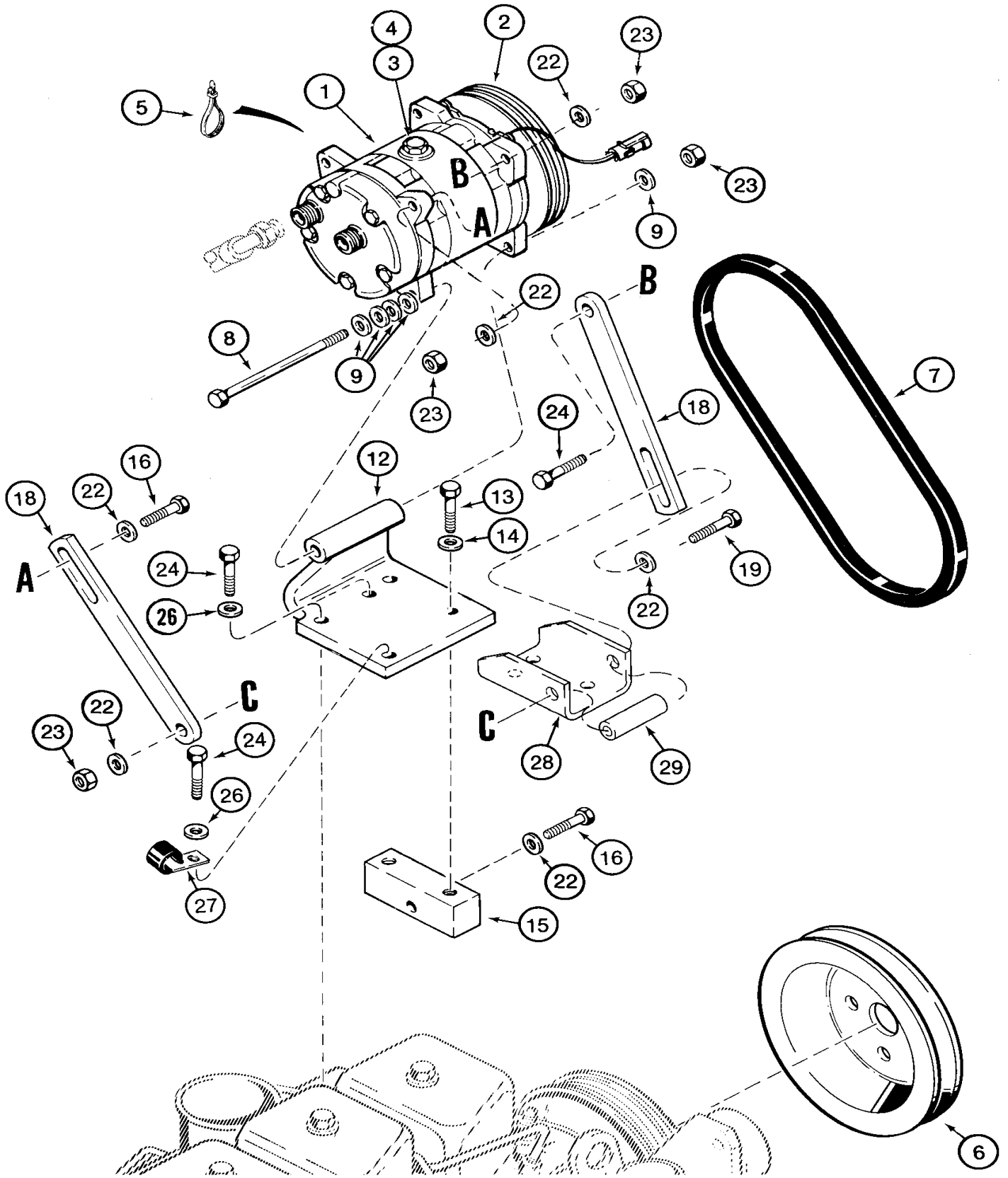
CAB - HEADLINER FILTER, LOUVERS, DOME LAMP



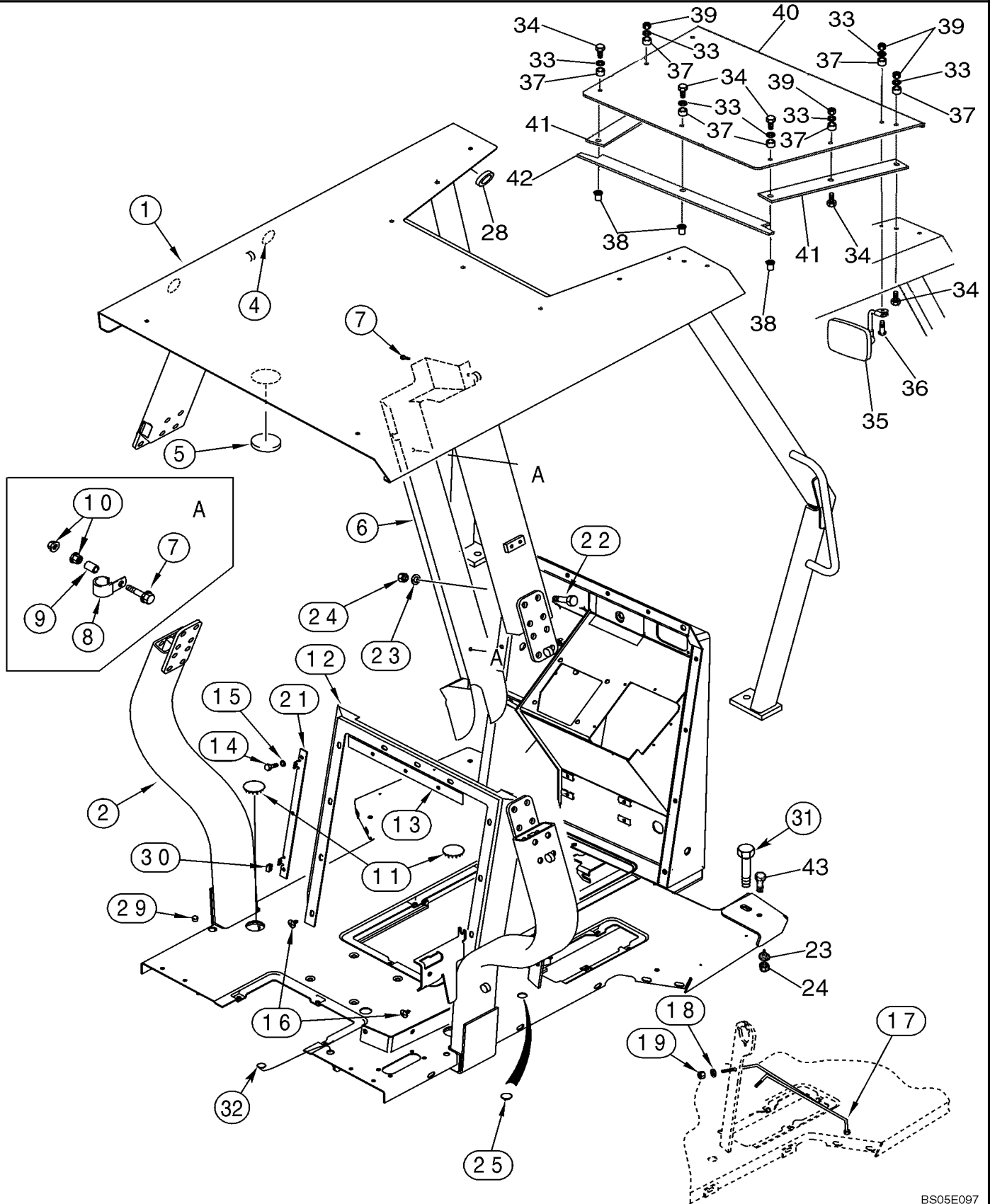
CAB - HEATER



CAB - AIR CONDITIONING COMPRESSOR



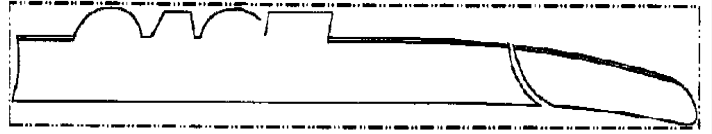
CANOPY, ROPS - FRAME (SHORT ROPS CANOPY WITH MINIMAL ROOF)



DECALS



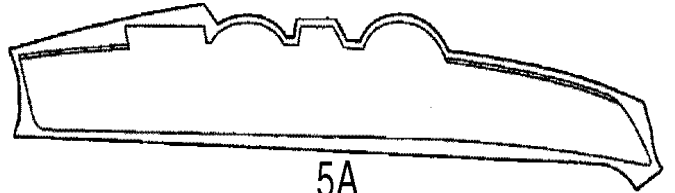
1



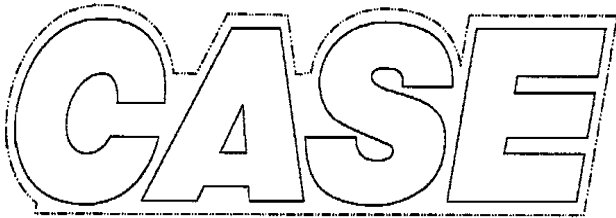
5



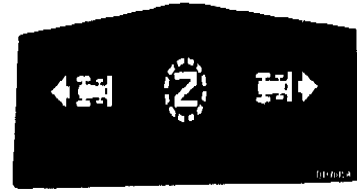
1A



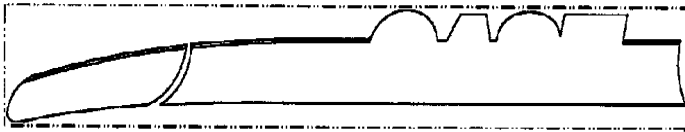
5A



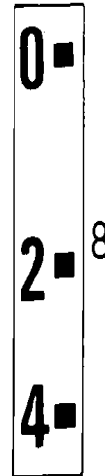
2



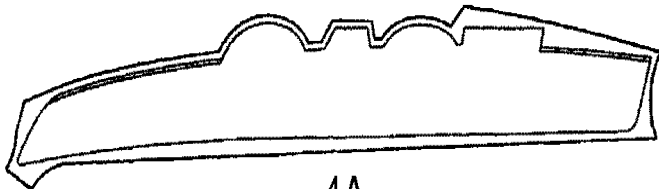
6



4



8



4A



9



10

DECALS - CANADIAN FRENCH

⚠ WARNING
CRUSH HAZARD
 If you service the machine with the loader lift arms raised, always use the support arms.
 1. Empty the loader bucket, raise the loader lift arms to maximum height and raise the support arms.
 2. Remove the rear pin from the support arm and install the rear pin in the support arm.
 3. Insert the rear pin in the support arm.
 4. Lower the rear pin in the support arm.
 If you do not follow this procedure, you may cause serious injury or death if the loader lift arms are lowered by accident.
 See the Service Manual.

1

| | | | | |
|--------------------------------|-------------------------|----------------|---------------------------------|---------------|
| SHUTTLE INTERLOCK TITING RELAY | REVERSE RELAY | FORWARD RELAY | LIN LWR DIFT LOCK EXAMPLE RELAY | STARTER RELAY |
| FREE SOLID B RELAY | SHUTTLE INTERLOCK RELAY | CLUMPL RELAY | HEATING RELAY | |
| A/C RELAY | POWER RELAY B2 | POWER RELAY B1 | | |

RELAYS

| RELAY NO. | RELAY NAME | WIRING | WIRING | WIRING | WIRING | WIRING | WIRING |
|-----------|------------|--------|--------|--------|--------|--------|--------|
| 1 | STARTER | 100 | 100 | 100 | 100 | 100 | 100 |
| 2 | REVERSE | 100 | 100 | 100 | 100 | 100 | 100 |
| 3 | FORWARD | 100 | 100 | 100 | 100 | 100 | 100 |
| 4 | CLUMPL | 100 | 100 | 100 | 100 | 100 | 100 |
| 5 | HEATING | 100 | 100 | 100 | 100 | 100 | 100 |
| 6 | POWER B2 | 100 | 100 | 100 | 100 | 100 | 100 |
| 7 | POWER B1 | 100 | 100 | 100 | 100 | 100 | 100 |

FUSES

8

Do NOT remove this tag until the anti-rollback feature has been installed and proper operation verified.

⚠ WARNING
CRUSH HAZARD
 Follow instructions to avoid injury.

IMPORTANT INSTRUCTIONS
 Reconnect Loader/ anti-rollback rod in the following manner:
 1. Install loader bracket.
 2. Place loader bracket bottom flat on ground.
 3. Turn engine OFF, Parking Brake ON.
 4. Reconnect anti-rollback rod in place which is done this using supplied snap tag and wrench.
 Failure to follow the above instructions may result in injury or death.

2

MAINTENANCE SCHEDULE
 STABLE/LOADING/RELEAS

1. Check oil level
 2. Check water level
 3. Check battery level
 4. Check tire pressure
 5. Check blade level
 6. Check PTO level
 7. Check hitch level
 8. Check loader level
 9. Check rear axle level
 10. Check front axle level
 11. Check rear suspension level
 12. Check front suspension level
 13. Check rear wheel level
 14. Check front wheel level
 15. Check rear tire level
 16. Check front tire level
 17. Check rear brake level
 18. Check front brake level
 19. Check rear clutch level
 20. Check front clutch level
 21. Check rear gear level
 22. Check front gear level
 23. Check rear shaft level
 24. Check front shaft level
 25. Check rear bearing level
 26. Check front bearing level
 27. Check rear seal level
 28. Check front seal level
 29. Check rear oil level
 30. Check front oil level
 31. Check rear filter level
 32. Check front filter level
 33. Check rear pump level
 34. Check front pump level
 35. Check rear valve level
 36. Check front valve level
 37. Check rear hose level
 38. Check front hose level
 39. Check rear pipe level
 40. Check front pipe level
 41. Check rear joint level
 42. Check front joint level
 43. Check rear nut level
 44. Check front nut level
 45. Check rear bolt level
 46. Check front bolt level
 47. Check rear screw level
 48. Check front screw level
 49. Check rear washer level
 50. Check front washer level
 51. Check rear spring level
 52. Check front spring level
 53. Check rear shock level
 54. Check front shock level
 55. Check rear damper level
 56. Check front damper level
 57. Check rear piston level
 58. Check front piston level
 59. Check rear rod level
 60. Check front rod level
 61. Check rear cap level
 62. Check front cap level
 63. Check rear bush level
 64. Check front bush level
 65. Check rear pin level
 66. Check front pin level
 67. Check rear clip level
 68. Check front clip level
 69. Check rear cotter level
 70. Check front cotter level
 71. Check rear lock level
 72. Check front lock level
 73. Check rear pin level
 74. Check front pin level
 75. Check rear nut level
 76. Check front nut level
 77. Check rear bolt level
 78. Check front bolt level
 79. Check rear screw level
 80. Check front screw level
 81. Check rear washer level
 82. Check front washer level
 83. Check rear spring level
 84. Check front spring level
 85. Check rear shock level
 86. Check front shock level
 87. Check rear damper level
 88. Check front damper level
 89. Check rear piston level
 90. Check front piston level
 91. Check rear rod level
 92. Check front rod level
 93. Check rear cap level
 94. Check front cap level
 95. Check rear bush level
 96. Check front bush level
 97. Check rear pin level
 98. Check front pin level
 99. Check rear clip level
 100. Check front clip level
 101. Check rear cotter level
 102. Check front cotter level
 103. Check rear lock level
 104. Check front lock level
 105. Check rear pin level
 106. Check front pin level
 107. Check rear nut level
 108. Check front nut level
 109. Check rear bolt level
 110. Check front bolt level
 111. Check rear screw level
 112. Check front screw level
 113. Check rear washer level
 114. Check front washer level
 115. Check rear spring level
 116. Check front spring level
 117. Check rear shock level
 118. Check front shock level
 119. Check rear damper level
 120. Check front damper level
 121. Check rear piston level
 122. Check front piston level
 123. Check rear rod level
 124. Check front rod level
 125. Check rear cap level
 126. Check front cap level
 127. Check rear bush level
 128. Check front bush level
 129. Check rear pin level
 130. Check front pin level
 131. Check rear clip level
 132. Check front clip level
 133. Check rear cotter level
 134. Check front cotter level
 135. Check rear lock level
 136. Check front lock level
 137. Check rear pin level
 138. Check front pin level
 139. Check rear nut level
 140. Check front nut level
 141. Check rear bolt level
 142. Check front bolt level
 143. Check rear screw level
 144. Check front screw level
 145. Check rear washer level
 146. Check front washer level
 147. Check rear spring level
 148. Check front spring level
 149. Check rear shock level
 150. Check front shock level
 151. Check rear damper level
 152. Check front damper level
 153. Check rear piston level
 154. Check front piston level
 155. Check rear rod level
 156. Check front rod level
 157. Check rear cap level
 158. Check front cap level
 159. Check rear bush level
 160. Check front bush level
 161. Check rear pin level
 162. Check front pin level
 163. Check rear clip level
 164. Check front clip level
 165. Check rear cotter level
 166. Check front cotter level
 167. Check rear lock level
 168. Check front lock level
 169. Check rear pin level
 170. Check front pin level
 171. Check rear nut level
 172. Check front nut level
 173. Check rear bolt level
 174. Check front bolt level
 175. Check rear screw level
 176. Check front screw level
 177. Check rear washer level
 178. Check front washer level
 179. Check rear spring level
 180. Check front spring level
 181. Check rear shock level
 182. Check front shock level
 183. Check rear damper level
 184. Check front damper level
 185. Check rear piston level
 186. Check front piston level
 187. Check rear rod level
 188. Check front rod level
 189. Check rear cap level
 190. Check front cap level
 191. Check rear bush level
 192. Check front bush level
 193. Check rear pin level
 194. Check front pin level
 195. Check rear clip level
 196. Check front clip level
 197. Check rear cotter level
 198. Check front cotter level
 199. Check rear lock level
 200. Check front lock level

3

5

⚠ WARNING

AVOID CRUSHING DO NOT JUMP IF MACHINE TIPS

USE SEAT BELT

10

⚠ CAUTION

THIS IS AN INSULATED ROOF SYSTEM. CONSULT YOUR DEALER BEFORE WELDING ON THE TOP OF THE CAB.

4

DO NOT OPERATE

Reason: _____
 Signed by: _____

DO NOT REMOVE THIS TAG!

See Other Side

CASE CORPORATION

11

DO NOT REMOVE THIS TAG!

See Other Side

CNH

Case Corp. Number: _____
 Printed in U.S.A.

DO NOT OPERATE

Reason: _____
 Signed by: _____

11A

⚠ WARNING

Do not modify or repair ROPS or FOPS in any manner.

6

⚠ WARNING

- With ground and check your machine before starting.
- Always properly tie down clothing or jewelry.
- Check the area ahead frequently. Never look backward.
- Check that all controls are in correct "normal" position.
- Never work in loose position and handle all loads before starting.
- Never work on a machine with one or more cylinders. Operate from one position only.
- Do not perform duties as any part of machine.
- Lock back and front hitches for safety.
- Be aware of non-visible obstacles, such as rocks and protruding objects.
- Check hydraulic or pneumatic system for leaks. Do not use pressure.
- Do not use pressure as a means of lifting or moving.
- Lower attachments to ground or support from before working position. When on level ground, supply parking brake, fully engage parking brake.
- Fasten the seat belt, use handrails, support and steady, sitting and walking in the seat when used to be considered not used when necessary.
- Make sure operators wear a clean and free of loose items.
- Check maintenance weekly. Tighten and inspect before and after starting. Incorrect operation of the machine can cause injury or death.

12

⚠ WARNING

- Read Operator's Manual.
- Fasten seat belt.
- No riders.
- Keep others away.

12A

IMPORTANT

- Operators manual in box underneath this cover. Do not remove. Before operating, read all operators manual(s), safety and instructional signs on this machine.
- It is your responsibility to follow all laws and regulations and to follow all instructions in the operators manual.
- See your Case dealer for additional operators manual, parts manual and service manual.

7

⚠ WARNING

EXCESSIVE SPEED CAN CAUSE LOSS OF MACHINE CONTROL OR MACHINE DAMAGE.

DO NOT COAST DOWN A HILL WITH THE TRANSMISSION IN NEUTRAL OR DO NOT EXCEED 2500 R.P.M. WHEN DRIVING DOWN A HILL.

BEFORE DRIVING DOWN A HILL, SHIFT TO A LOWER GEAR AND DRIVE SLOWLY. YOU OR OTHERS AROUND YOU CAN BE INJURED IF THE MACHINE IS OUT OF CONTROL.

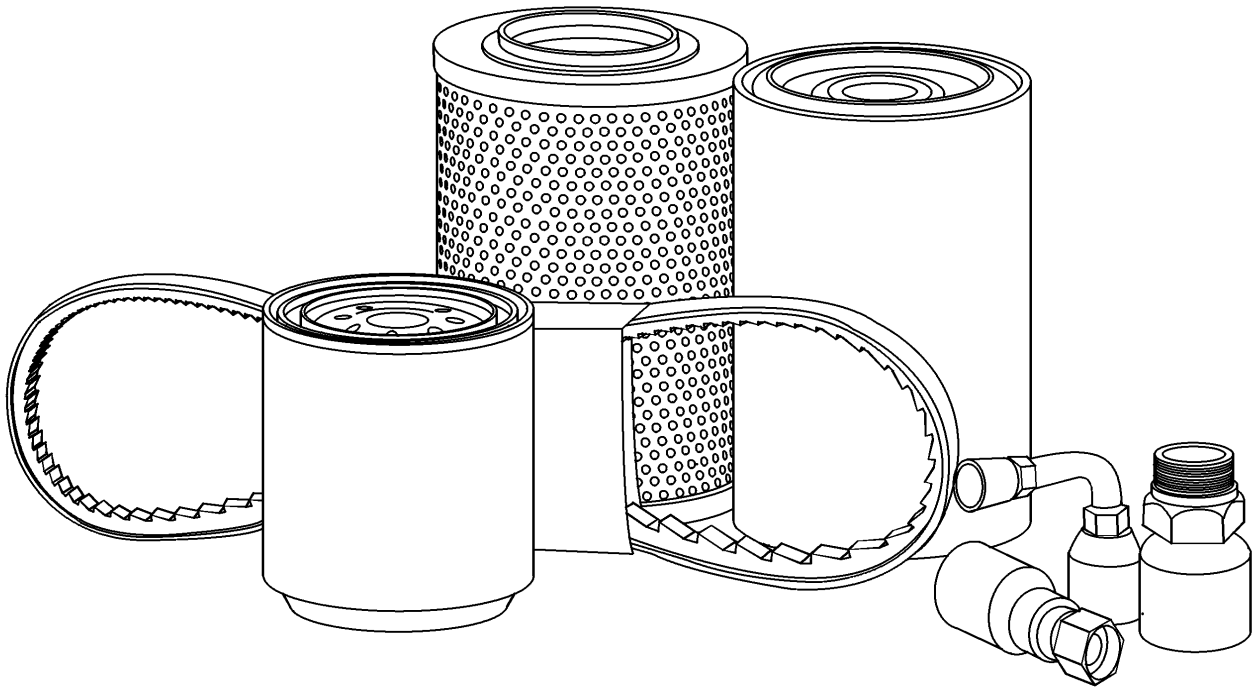
13

05.100.03

p1

3/2019

FILTERS & CAPACITIES, 570MXT 2WD TURBO



INDEX - INDICE - INDEX - ZAHLENVERZEICHNIS - INDICE - INDICE - INDHOLD - INHOUD

| Number | Figure | Sequence Ref. | Number | Figure | Sequence Ref. |
|----------|--------|---------------|-----------|--------|---------------|
| 120303A1 | 08-03 | 10 | 122268A1 | 05-08 | 9 |
| 120303A1 | 08-04 | 21 | 122268A1 | 06-02 | 13 |
| 120303A1 | 08-04 | 8 | 122270A1 | 05-08 | 5 |
| 120303A1 | 08-05 | 8 | 122270A1 | 06-02 | 7 |
| 120303A1 | 08-08 | 44 | 122330A1 | 08-17 | 15 |
| 120303A1 | 08-08A | 44 | 122536A1 | 05-02 | 18 |
| 120303A1 | 08-09 | 14 | 122536A1 | 05-02A | 18 |
| 120303A1 | 09-19 | 62 | 122536A1 | 08-02 | 1 |
| 120386A1 | 05-02 | 13 | 122536A1 | 08-31 | |
| 120386A1 | 05-02A | 13 | 122553A1 | 09-51 | 12 |
| 120388A1 | 05-02 | 14 | 122553A1 | 09-52 | 4 |
| 120388A1 | 05-02A | 14 | 122554A1 | 09-52 | 11 |
| 121-145 | 07-03 | 20 | 122579A1 | 09-51 | 13 |
| 121335A1 | 03-02 | 11 | 122603A1 | 09-19 | 24 |
| 121412A1 | 04-08 | 7 | 122641A2 | 04-10 | 10 |
| 121412A1 | 04-20 | 16 | 122736A1 | 04-07 | 5 |
| 121413A1 | 04-08 | 9 | 122740A1 | 04-07 | 7 |
| 121413A1 | 08-07 | 32 | 123097A1 | 04-04 | 32 |
| 121413A1 | 08-07A | 32 | 123097A1 | 06-12 | 42 |
| 121413A1 | 08-07B | 27 | 123206A2 | 09-48 | 2 |
| 121413A1 | 08-08A | 37 | 123392A1 | 03-03 | 13 |
| 121414A1 | 04-08 | 8 | 123493A1 | 09-02 | 9 |
| 121415A1 | 04-08 | | 123493A1 | 09-02A | 9 |
| 121416A1 | 04-08 | 9A | 123537A1 | 09-10 | 29 |
| 121421A1 | 02-08 | 8 | 123538A1 | 04-07 | 4 |
| 121501A2 | 02-01 | 21 | 123558A1 | 03-03 | 12 |
| 121501A2 | 02-02 | 21 | 123809A2 | 04-04 | 31 |
| 121729A1 | 07-04 | 8 | 123809A2 | 06-12 | 43 |
| 121730A2 | 07-04 | 4 | 123815A1 | 09-02 | 2 |
| 121856A1 | 03-01 | 17 | 123815A1 | 09-02A | 2 |
| 121856A1 | 09-12 | 2 | 123969A1 | 09-36A | 9 |
| 121856A1 | 09-19 | 25 | 123980A1 | 09-51 | 23 |
| 121856A1 | 09-19 | 50 | 124011A1 | 09-51 | 22 |
| 121856A1 | 09-22 | 2 | 124243A1 | 09-02 | 8 |
| 121856A1 | 09-23 | 2 | 124243A1 | 09-02A | 8 |
| 121856A1 | 09-24 | 2 | 124340A1 | 02-22 | |
| 121856A1 | 09-25 | 13 | 124340A1 | 02-23 | |
| 121920A1 | 09-08 | 12 | 124646A1 | 07-06 | 5 |
| 122140A1 | 08-16 | 5 | 124721A1 | 09-03 | 14 |
| 122141A1 | 08-16 | 5A | 125-10002 | 02-04 | 6 |
| 122259A1 | 05-09 | 10A | 1250594C1 | 09-51 | 10 |
| 122261A1 | 05-08 | 9A | 1250594C1 | 09-51 | 11 |
| 122264A1 | 05-09 | 10 | 1250594C1 | 09-52 | 10 |
| 122264A1 | 06-03 | 10 | 1250594C1 | 09-52 | 17 |
| 122265A1 | 05-09 | 9 | 1250594C1 | 09-52 | 3 |
| 122265A1 | 06-03 | 9 | 125688A1 | 09-47 | 3 |

INDEX - INDICE - INDEX - ZAHLENVERZEICHNIS - INDICE - INDICE - INDHOLD - INHOUD

| Number | Figure | Sequence Ref. | Number | Figure | Sequence Ref. |
|------------|--------|---------------|----------|--------|---------------|
| 1995135C1R | 06-12 | | 217-1102 | 09-19 | 22 |
| 1995135C1R | 06-12 | 21 | 217-117 | 03-01 | 52 |
| 1999755C3 | 09-52 | 6 | 217-144 | 09-50 | 22 |
| 1999755C3 | 09-53 | | 217-314 | 06-10 | 11 |
| 1999755C3C | 09-52 | 6 | 217-314 | 06-11 | 11 |
| 1999755C3C | 09-53 | | 217-342 | 08-02 | 15 |
| 1999755C3R | 09-52 | 6 | 217-347 | 09-19 | 16 |
| 1999755C3R | 09-53 | | 217-380 | 09-19 | 21 |
| 20-21032 | 09-08 | 13 | 217-436 | 09-19 | 5 |
| 20-21232 | 09-07 | 9 | 217-438 | 02-22 | 17 |
| 20-21232 | 09-08 | 4 | 217-438 | 02-22 | 34 |
| 205-33 | 09-38 | 13 | 217-438 | 02-23 | 17 |
| 211-1008 | 08-25 | 7 | 217-438 | 02-23 | 34 |
| 211-1008 | 08-26 | 7 | 217-466 | 02-20 | 3 |
| 211-1009 | 08-18 | 11 | 217-77 | 02-08 | 3A |
| 211-1010 | 08-25 | 9 | 217-92 | 02-01 | 20 |
| 211-1010 | 08-26 | 9 | 217-92 | 02-02 | 20 |
| 211-1011 | 04-01 | 15 | 218-1023 | 06-15 | 11 |
| 213-123 | 03-02 | 14 | 218-1254 | 08-10 | 40 |
| 213-123 | 03-03 | 17 | 218-1254 | 09-10 | 20 |
| 213-126 | 07-06 | 19 | 218-1256 | 09-10 | 33 |
| 213-126 | 09-02 | 34 | 218-1275 | 05-05 | 41 |
| 213-126 | 09-02A | 34 | 218-1275 | 05-07 | 10 |
| 214-1404 | 09-49 | 19 | 218-1275 | 06-01 | 29 |
| 214-1406 | 09-19 | 18 | 218-1279 | 09-10 | 34 |
| 214-1410 | 09-50 | 19 | 218-435 | 08-03 | 22 |
| 214-1420 | 08-02 | 24 | 218-435 | 08-04 | 41 |
| 214-1440 | 02-01 | 19 | 218-435 | 08-05 | 20 |
| 214-1440 | 02-02 | 19 | 218-459 | 06-12 | 38 |
| 214-1448 | 02-05 | 3A | 218-481 | 05-05 | 39 |
| 214-1456 | 02-04 | 17 | 218-5053 | 05-02 | 7 |
| 214-1456 | 02-04 | 9 | 218-5053 | 05-02A | 7 |
| 214-1464 | 02-04 | 16 | 218-5053 | 07-04 | 19 |
| 214-1464 | 02-06 | 4 | 218-5053 | 08-08 | 19 |
| 214-1464 | 08-03 | 21 | 218-5053 | 08-08A | 19 |
| 214-1464 | 08-04 | 40 | 218-5053 | 08-12 | 9 |
| 214-1464 | 08-06 | 21 | 218-5056 | 08-08 | 17 |
| 214-1472 | 08-03 | 21 | 218-5056 | 08-08A | 17 |
| 214-1512 | 02-14 | 13 | 218-5057 | 05-02 | 35 |
| 214-1704 | 03-01 | 53 | 218-5057 | 08-08 | 11 |
| 214-1704 | 03-01 | 8 | 218-5057 | 08-08A | 11 |
| 214-1704 | 07-04 | 10 | 218-5057 | 08-10 | 4 |
| 214-1706 | 07-04 | 11 | 218-5057 | 08-11 | 18 |
| 214-1708 | 03-01 | 13 | 218-5057 | 08-12 | 5 |
| 214-1708 | 03-01 | 7 | 218-5058 | 08-10 | 19 |
| 214-3240 | 02-14 | 3 | 218-5059 | 05-02 | 10 |

INDEX - INDICE - INDEX - ZAHLENVERZEICHNIS - INDICE - INDICE - INDHOLD - INHOUD

| Number | Figure | Sequence | Ref. | Number | Figure | Sequence | Ref. |
|-----------|--------|----------|------|-----------|--------|----------|------|
| 310765A1 | 06-15 | | 12 | 321428A1 | 06-23 | | 8 |
| 310766A1 | 06-15 | | 1 | 322184A1 | 07-04 | | 18 |
| 310767A1 | 06-14 | | 10 | 322860A1 | 03-03 | | 35 |
| 310768A1 | 06-14 | | 1 | 322984A1 | 02-22 | | 43 |
| 310772A1 | 06-14 | | | 322984A1 | 02-23 | | 43 |
| 310772A1 | 06-14 | | 10B | 323698A1 | 02-22 | | |
| 310772A1 | 06-15 | | | 323698A1 | 02-23 | | |
| 310772A1 | 06-15 | | 14 | 324213A1 | 05-11 | | 2 |
| 310842A1 | 09-25 | | 19 | 325465A2 | 08-06 | | 22 |
| 310843A1 | 09-25 | | 15 | 325489A2 | 08-02 | | 12 |
| 311099A1 | 03-06 | | 36 | 326-1080 | 08-13 | | 9 |
| 311100A1 | 03-06 | | 31 | 326-640 | 09-10 | | 6 |
| 311565A1 | 06-02 | | 11 | 326348A1 | 07-06 | | 16 |
| 311569A1 | 05-11 | | 1 | 326865A1 | 06-20 | | 13 |
| 311569A1 | 06-06 | | 1 | 328-1232 | 08-36 | | 17 |
| 3125705R1 | 04-20 | | 10 | 328186A1 | 06-10 | | 21 |
| 313310A1 | 08-07 | | | 328186A1 | 06-11 | | 21 |
| 313534A2 | 09-23 | | 1 | 328186A1 | 08-02 | | 11 |
| 314451A1 | 04-08 | | 6 | 328186A1 | 08-02 | | 29 |
| 319888A2 | 06-10 | | 6 | 328443A1 | 08-14 | | 2 |
| 319889A2 | 06-10 | | 5 | 328443A1 | 08-15 | | 2 |
| 319889A2 | 06-11 | | 5 | 328443A1 | 08-17 | | |
| 320877A1 | 06-10 | | 1 | 329032A1 | 04-08 | | 16 |
| 320877A1 | 08-02 | | 13 | 329032A1 | 04-13 | | 7 |
| 320877A1C | 06-10 | | 1 | 329081A3 | 06-22 | | |
| 320877A1C | 08-02 | | 13 | 329081A3C | 06-22 | | |
| 320877A1R | 06-10 | | 1 | 329081A3R | 06-22 | | |
| 320877A1R | 08-02 | | 13 | 329082A3 | 06-22 | | |
| 320977A1 | 05-05 | | 17 | 329082A3C | 06-22 | | |
| 321-1707 | 09-08 | | 29 | 329082A3R | 06-22 | | |
| 321-1708 | 09-08 | | 23 | 330083A1 | 08-07 | | 8 |
| 321-1708 | 09-59 | | 8 | 330083A1 | 08-07A | | 8 |
| 321-229 | 09-64 | | 7 | 330083A1 | 08-07B | | 5 |
| 321-230 | 09-64 | | 6 | 330083A1 | 08-08 | | 6 |
| 321-4311 | 09-58 | | 5 | 330083A1 | 08-08A | | 6 |
| 321-4614 | 09-61 | | 11 | 330100A1 | 09-09 | | 1 |
| 321-5675 | 09-63 | | 11 | 330267A2 | 02-04 | | 10 |
| 321-6376 | 09-64 | | 7A | 331620A1 | 09-05 | | 2 |
| 321-6376 | 09-65 | | 7A | 331621A1 | 09-05 | | 1 |
| 321-6376 | 09-66 | | 7A | 332467A1 | 04-01 | | 10 |
| 321-6774 | 09-64 | | 8 | 332468A1 | 04-01 | | 44 |
| 321-7030 | 09-61 | | 10 | 332473A1 | 08-17 | | 27 |
| 321-7040 | 09-64 | | 3 | 332473A1 | 08-18 | | 29 |
| 321183A1 | 07-02 | | 12 | 332473A1 | 08-20 | | 23 |
| 321204 | 05-09 | | 12 | 332475A1 | 04-01 | | 36 |
| 321204 | 06-03 | | 7 | 332476A1 | 04-01 | | 38 |

INDEX - INDICE - INDEX - ZAHLENVERZEICHNIS - INDICE - INDICE - INDHOLD - INHOUD

| Number | Figure | Sequence Ref. | Number | Figure | Sequence Ref. |
|-----------|--------|---------------|-----------|--------|---------------|
| 495-11028 | 09-58 | 2 | 495-81001 | 09-56 | 21 |
| 495-11034 | 09-10 | 13 | 495-81001 | 09-56 | 4 |
| 495-11041 | 02-09 | 11 | 495-81002 | 09-29 | 10 |
| 495-11041 | 04-05 | 9 | 495-81002 | 09-29A | 10 |
| 495-11041 | 04-06 | 8 | 495-81002 | 09-56 | 18 |
| 495-11041 | 04-09 | 23 | 495-81002 | 09-56 | 7 |
| 495-11041 | 07-06 | 26 | 495-81025 | 06-01 | 20 |
| 495-11041 | 09-02 | 34A | 495-81068 | 09-13A | 56 |
| 495-11041 | 09-02A | 34A | 495-81121 | 09-48 | 4 |
| 495-11041 | 09-54 | 18 | 495-81148 | 09-41 | 20 |
| 495-11041 | 09-55 | 18 | 495-81153 | 04-07 | 12 |
| 495-11047 | 05-05 | 42 | 495-81169 | 09-32 | 17 |
| 495-11047 | 05-07 | 11 | 495-81169 | 09-32A | 10 |
| 495-11047 | 06-01 | 30 | 495-81184 | 09-01 | 9 |
| 495-11053 | 09-04 | 35 | 495-81184 | 09-01A | 9 |
| 495-11053 | 09-04A | 35 | 495-81184 | 09-02 | 22 |
| 495-11094 | 05-05 | 37 | 495-81184 | 09-02A | 22 |
| 495-11106 | 09-13 | 29 | 495-81252 | 04-01 | 37 |
| 495-11106 | 09-13A | 26 | 495-81259 | 09-18 | 14 |
| 495-11106 | 09-13A | 29 | 495-81259 | 09-18 | 6 |
| 495-11106 | 09-13B | 28 | 495-81261 | 07-03 | 30 |
| 495-11106 | 09-13B | 30 | 495-81282 | 09-04 | 7 |
| 495-21019 | 04-14 | 7 | 495-81282 | 09-04A | 7 |
| 495-21031 | 04-20 | 3 | 496-11041 | 09-01A | 20 |
| 495-21038 | 04-14 | 12 | 496-21041 | 02-01 | 29 |
| 495-21038 | 07-06 | 4 | 496-21041 | 02-02 | 29 |
| 495-21038 | 09-28 | 21 | 496-21041 | 06-12 | 17 |
| 495-21038 | 09-29 | 18 | 496-21041 | 06-12 | 25 |
| 495-21038 | 09-31 | 16 | 496-21041 | 09-01 | 20 |
| 495-21038 | 09-31 | 23 | 496-81000 | 05-12 | 9 |
| 495-21038 | 09-41 | 6A | 496-81000 | 06-01 | 3 |
| 495-21044 | 09-02 | 11 | 496-81000 | 06-06 | 24 |
| 495-21044 | 09-02A | 11 | 496-81010 | 09-32 | 18 |
| 495-21044 | 09-19 | 8 | 496-81010 | 09-32 | 25 |
| 495-21044 | 09-46 | 22 | 496-81010 | 09-32A | 11 |
| 495-21056 | 04-15 | 13 | 496-81018 | 02-10 | 6 |
| 495-21056 | 04-17 | 7 | 496-81018 | 03-02 | 7 |
| 495-21056 | 06-01 | 15 | 496-81018 | 09-17A | 7 |
| 495-31022 | 03-02 | 9 | 49773 | 04-04 | 24 |
| 495-31022 | 04-13 | 8 | 49773 | 05-02 | 49 |
| 495-61020 | 09-28 | 33 | 49773 | 05-02A | 49 |
| 495-71041 | 09-41 | 24 | 49773 | 08-01B | 46 |
| 495-81001 | 04-15 | 10 | 49773 | 08-02 | 32 |
| 495-81001 | 09-28 | 16 | 4T-390C | 02-22 | |
| 495-81001 | 09-28 | 39 | 510185 | 08-36A | 8 |
| 495-81001 | 09-29 | 13 | 510185 | 08-37A | 9 |

INDEX - INDICE - INDEX - ZAHLENVERZEICHNIS - INDICE - INDICE - INDHOLD - INHOUD

| Number | Figure | Sequence Ref. | Number | Figure | Sequence Ref. |
|-----------|--------|---------------|-----------|--------|---------------|
| 87396486 | 06-13 | | 87396487C | 06-21 | |
| 87396486 | 06-14 | | 87396487C | 06-22B | |
| 87396486 | 06-16 | | 87396487C | 06-23 | |
| 87396486 | 06-17 | | 87396487R | 06-12 | 15 |
| 87396486 | 06-18 | | 87396487R | 06-13 | |
| 87396486 | 06-19 | | 87396487R | 06-15 | |
| 87396486 | 06-20 | | 87396487R | 06-16 | |
| 87396486 | 06-22B | | 87396487R | 06-17 | |
| 87396486C | 06-12 | 14 | 87396487R | 06-18 | |
| 87396486C | 06-13 | | 87396487R | 06-19 | |
| 87396486C | 06-14 | | 87396487R | 06-20 | |
| 87396486C | 06-16 | | 87396487R | 06-21 | |
| 87396486C | 06-17 | | 87396487R | 06-22A | |
| 87396486C | 06-18 | | 87396487R | 06-22B | |
| 87396486C | 06-19 | | 87396487R | 06-23 | |
| 87396486C | 06-20 | | 87400286 | 05-08 | 7A |
| 87396486C | 06-22B | | 87400286 | 06-02 | 9A |
| 87396486R | 06-12 | 14 | 87403130 | 08-07A | 11 |
| 87396486R | 06-13 | | 87403132 | 08-07A | 12 |
| 87396486R | 06-14 | | 87403209 | 02-26 | 13 |
| 87396486R | 06-16 | | 87403209 | 02-27 | 13 |
| 87396486R | 06-17 | | 87404692 | 02-19 | 33 |
| 87396486R | 06-18 | | 87404692 | 02-20 | 33 |
| 87396486R | 06-19 | | 87404692 | 02-28 | 13 |
| 87396486R | 06-20 | | 87405325 | 06-12 | 35 |
| 87396486R | 06-22A | | 87405325 | 06-32 | |
| 87396486R | 06-22B | | 87405326 | 06-01 | 11 |
| 87396487 | 06-12 | 15 | 87405326 | 06-09 | |
| 87396487 | 06-13 | | 87406923 | 09-54 | 20 |
| 87396487 | 06-15 | | 87408480 | 03-01 | 10A |
| 87396487 | 06-16 | | 87408888 | 09-32 | 13 |
| 87396487 | 06-17 | | 87408888 | 09-32 | 21 |
| 87396487 | 06-18 | | 87408888 | 09-32A | 6 |
| 87396487 | 06-19 | | 87408888 | 09-32B | 7 |
| 87396487 | 06-20 | | 87408889 | 09-32 | 12 |
| 87396487 | 06-21 | | 87408889 | 09-32 | 20 |
| 87396487 | 06-22B | | 87408889 | 09-32A | 6 |
| 87396487 | 06-23 | | 87408889 | 09-32B | 8 |
| 87396487C | 06-12 | 15 | 87409051 | 03-05 | 15 |
| 87396487C | 06-13 | | 87409051 | 03-06 | 6 |
| 87396487C | 06-15 | | 87409160 | 02-24 | 9 |
| 87396487C | 06-16 | | 87410199 | 09-61 | 3 |
| 87396487C | 06-17 | | 87412010 | 09-63 | 3 |
| 87396487C | 06-18 | | 87412011 | 09-62 | |
| 87396487C | 06-19 | | 87412687 | 09-01A | 1 |
| 87396487C | 06-20 | | 87412687 | 09-02A | 42 |

INDEX - INDICE - INDEX - ZAHLENVERZEICHNIS - INDICE - INDICE - INDHOLD - INHOUD

| Number | Figure | Sequence Ref. | Number | Figure | Sequence Ref. |
|----------|--------|---------------|---------|--------|---------------|
| D138055 | 08-04 | 35A | D143846 | 05-02 | 25 |
| D138055 | 08-04 | 6 | D143846 | 05-02A | 25 |
| D138055 | 08-05 | 14 | D143846 | 08-06 | 6 |
| D138055 | 08-05 | 7 | D145367 | 02-09 | 2 |
| D138055 | 08-08 | 43 | D146035 | 09-20 | 11 |
| D138055 | 08-08A | 43 | D146035 | 09-31 | 17 |
| D138055 | 08-09 | 12 | D146073 | 09-13 | 35 |
| D138055 | 09-19 | 61 | D147166 | 04-08 | 17 |
| D138380 | 06-24 | 4 | D147383 | 04-04 | 11 |
| D138492 | 06-24 | 5 | D147383 | 04-04 | 14 |
| D138492 | 06-25 | 2 | D147383 | 04-04 | 33 |
| D138565 | 09-18 | 16 | D147383 | 04-04 | 5 |
| D138565 | 09-18 | 7 | D147383 | 04-07 | 2 |
| D138954 | 05-05 | 1 | D147383 | 09-44 | 12 |
| D138954C | 05-05 | | D147383 | 09-53 | 27 |
| D138954R | 05-05 | | D147383 | 09-54 | 8 |
| D139175 | 04-19 | 18 | D147383 | 09-55 | 8 |
| D140035 | 07-03 | 9 | D148108 | 04-07 | 10 |
| D140267 | 09-25 | 32 | D148108 | 07-03 | 31 |
| D142083 | 09-57 | 3 | D148962 | 03-02 | 6 |
| D142084 | 09-57 | 1 | D148992 | 09-11 | |
| D142085 | 09-57 | 2 | D149287 | 09-01 | 35 |
| D142086 | 09-57 | 5 | D149287 | 09-01A | 35 |
| D142144 | 09-57 | 10 | D149287 | 09-02 | 36A |
| D142787 | 08-03 | 20 | D149287 | 09-02A | 36A |
| D142898 | 05-11 | 6 | D149287 | 09-03 | 4 |
| D142898 | 06-19 | 25 | D149287 | 09-11 | 10 |
| D142898 | 06-21 | 16 | D149288 | 07-06 | 20 |
| D142898 | 06-27 | 22 | D149288 | 09-02 | 36 |
| D142971 | 06-28 | 5 | D149288 | 09-02A | 36 |
| D142986 | 06-31 | 2 | D149451 | 09-13 | 34 |
| D143033 | 06-28 | 18 | D149451 | 09-13A | 34 |
| D143033 | 06-28A | 18 | D149725 | 05-08 | 4 |
| D143242 | 09-54 | 16 | D149725 | 06-02 | 2 |
| D143242 | 09-55 | 16 | D149726 | 05-08 | 3 |
| D143405 | 05-06 | 4 | D149726 | 06-02 | 4 |
| D143410 | 08-01 | 30 | D149737 | 06-04 | 8 |
| D143410 | 08-01A | 30 | D149738 | 06-04 | 6 |
| D143410 | 08-01B | 30 | D149739 | 06-04 | |
| D143417 | 09-50 | 29 | D149860 | 06-09 | 9 |
| D143417 | 09-51 | 20 | D149860 | 06-32 | |
| D143427 | 09-50 | 27 | D150155 | 05-05 | 20 |
| D143427 | 09-51 | 18 | D150214 | 05-09 | 11A |
| D143714 | 09-25 | 9 | D150391 | 09-32 | 15 |
| D143715 | 09-25 | 8 | D150391 | 09-32 | 23 |
| D143830 | 04-04 | 6 | D150392 | 09-32 | 16 |

CLICK HERE TO **DOWNLOAD** THE COMPLETE MANUAL

- Thank you very much for reading the preview of the manual.
- You can download the complete manual from: www.heydownloads.com by clicking the link below



- Please note: If there is no response to CLICKING the link, please download this PDF first and then click on it.

CLICK HERE TO **DOWNLOAD** THE COMPLETE MANUAL