

753



Parts Manual

S/N 5158 11001-29999

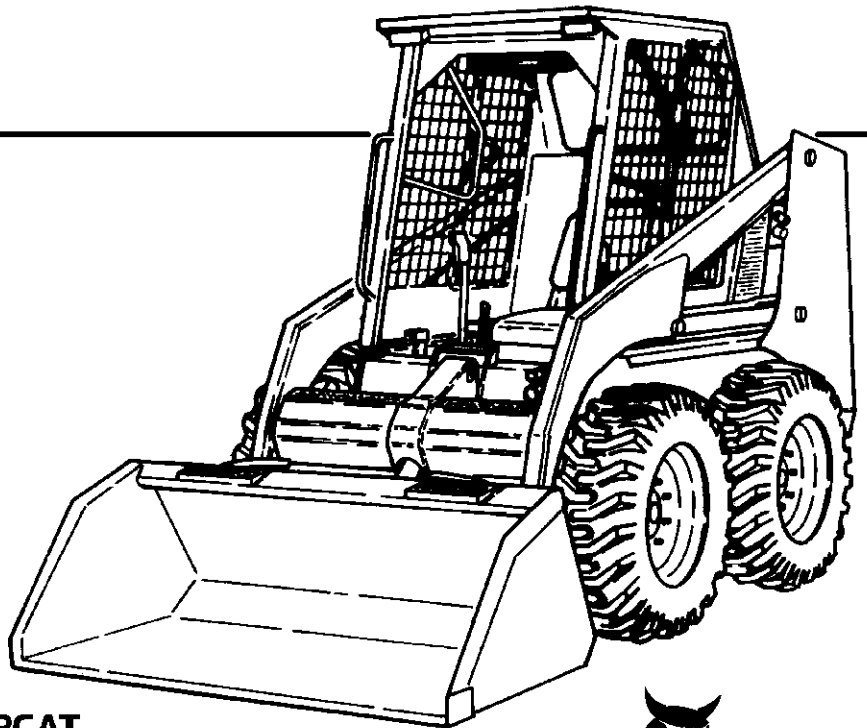
S/N 5162 11001-19999

S/N 5127 16001 & Above

S/N 5086 30001 & Above

S/N 5114 76001 & Above

S/N 5139 11001 - 11148



**EQUIPPED WITH
BOBCAT INTERLOCK
CONTROL SYSTEM (BICS™)**

PUBLICATION # 6724067 (6-01)

REPLACES # 6724067 (4-00)

**BOBCAT
INGERSOLL-RAND**



CLICK HERE TO **DOWNLOAD** THE COMPLETE MANUAL

- Thank you very much for reading the preview of the manual.
- You can download the complete manual from: www.heydownloads.com by clicking the link below



- Please note: If there is no response to CLICKING the link, please download this PDF first and then click on it.

CLICK HERE TO **DOWNLOAD** THE COMPLETE MANUAL

NOTE D'INFORMATION

Pour toute référence au numéro de série de l'engin, toujours donner le numéro complet.

Le chiffré apparaissant dans la colonne des quantités de ce manuel représentent le nombre de pièces nécessaires pour l'illustration reprise sur la page. Dans certains cas, on lira un "x" dans la colonne des quantités. Cet "x" indique que la quantité nécessaire est "selon besoin".

Pour toute référence vers la GAUCHE ou la DROITE dans ce manuel, considérer que la personne se trouve assise dans le siège de l'opérateur, en position de fonctionnement en marche avant.

Certaines illustrations et informations reprises dans ce manuel de pièces de rechange ont été fournies à Bobcat par des fabricants de composants.

ABREVIATIONS & SYMBOLES

SALES	= Commander au Service Ventes à Bruxelles
NSS	= Pas vendu séparément
NAP	= Non disponible comme pièce de rechange
	= Chapitre, page ou numéro de pièce modifié ou supplémentaire
BTI	= Bobcat Technical Information Bulletin : voir à la fin de la microfiché du modèle concerné ou la microfiche générale reprenant l'ensemble des "BTI".
was 6535403	= était avant 6535403
adj. (adjustment)	= réglage
Assembly	= ensemble
available W/Ref.	= disponible avec réf.
bulk/sold per foot	= en vrac/vendu par pied
does not include	= ne comprend pas
included with	= compris dans
I.D.	= D.I. (diamètre intérieur)
O.D.	= D.E. (diamètre extérieur)
not in kit	= pas en kit
W/ - WO/	= inclus/ - non inclus/
Qty	= quantité requise
see page/ref.	= voir page/réf.
used with ref/	= utilisé avec réf.
0,05 inch thickness	= 0,05 pouce d'épaisseur (un pouce = 25.4 mm)
weld on	= à souder

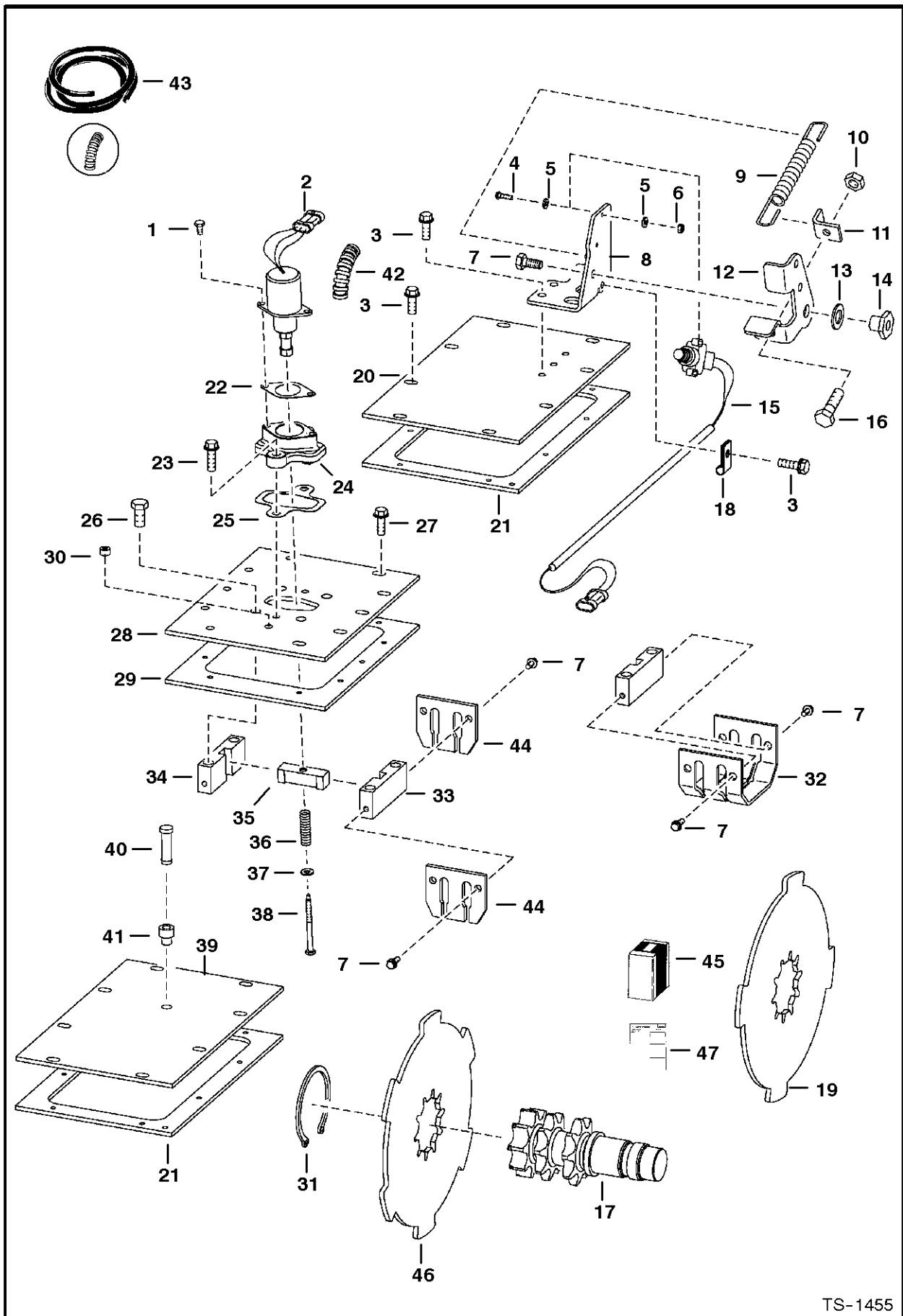
PANELS

Ref.N°	Part N°	Description	Remarks	Serial N°	Qty.
1	6707316	PLATE			1
2	84G-3712	BOLT			16
3	NAP	SHIELD	Order (2) of Ref. PANELS(2) & (1) ea. of 6717208 Shield & Ref. PANELS(10) - Was 6706917 [A]		1
3	6717208	SHIELD			1
4	5289686	PLUG			2
5	6532127	BOOT	W/Ref. PANELS(8)		2
6	6630207	RIVET			12
7	6577961	GROMMET			2
8	NAP	PLATE	Order Ref. PANELS(5)		2
9	NAP	COVER	Order Ref. PANELS(10) - Was 6717890 [B]		1
10	6718446	COVER	5.25" x 13" (133,4mm x 330,2mm)		1

FUEL SYSTEM

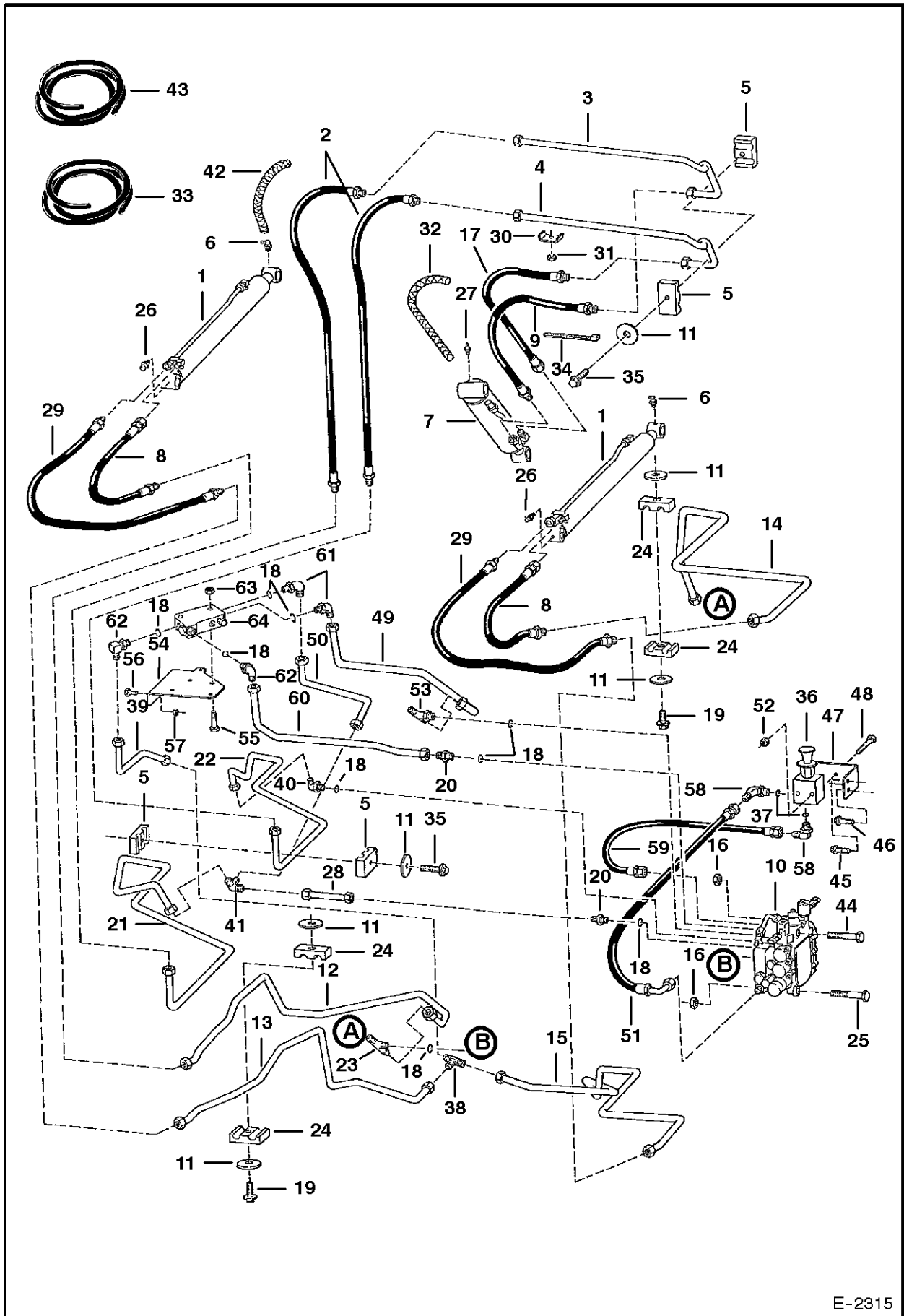
Ref.N°	Part N°	Description	Remarks	Serial N°	Qty.
1	NAP	TANK	Order 6717572inD1p Tank, Ref. FUEL SYSTEM(36) (6717401inD1n Plug) & Ref. FUEL SYSTEM(16) (6717402inD1l Bushing) - Was 6575897 [A]		1
1	6717572	TANK			1
2	6569219	SCREEN			1
3	42H-32	CLAMP	Was 6513595 [A]		2
4	6706674	HOSE	Was 6576374 [B,D]	5086 94508 & Bel	1
4				5127 27421 & Bel	1
4	6710653	HOSE		5086 94509 & Abv	1
4				5127 27421 & Abv	1
5	6701449	FILLER TUBE			1
6	6661114	CAP	green		1
6	NAP	CAP	locking -W/Ref. FUEL SYSTEM(15) Code GC020		1
6	6661696	FUEL CAP	locking - W/Ref. FUEL SYSTEM(15) Code PK510		1
7	42H-10	CLAMP			2
8	NAP	HOSE	25" (635,0 mm) long - Order Ref. FUEL SYSTEM(13)		1
9	6578278	PAD	self adhesive one side		2
10	6650239	SCREEN			1
11	6576386	HOSE	8.5'-9.5'(215,9 mm - 241,3 mm) long		2
12	6706517	SCREW	Was 6579119 [A]		3
13	6578172	HOSE	bulk - Sold Per Foot		x
14	6661213	CLAMP			3
15	6654374	KEY	Code GC020		1
15	6587458	KEY SET	Code PK510		1
16	6553411	BUSHING	.5' I.D.		3
16	6717402	BUSHING	.75' I.D.		1
17	6598908	ELBOW			1
18	6515575	CLAMP			10
19	NAP	HOSE	35" (889,0 mm) long - Order Ref. FUEL SYSTEM(33)		1
20	6657734	PUMP	hand primer		1
21	6658180	PLUG	breather		1
22	6655216	FUEL PUMP	See Page INJECTION PUMP(1)		1
23	6667353	FILTER ASSY	Was 6657020 [A]		1
23	6667352	FILTER	Was 6647773 [A]		1
23	72F-1	DRAIN COCK			1
24	6657083	ELBOW	W/Ref. FUEL SYSTEM(28) - flat boss face		2
24	6715183	ELBOW	W/Ref. FUEL SYSTEM(28) - tapered boss face		2
25	NAP	HOSE	13"(330,2 mm)long-Order Ref. FUEL SYSTEM(34) - connects to Ref. INJECTION PUMP(12) on Page INJECTION PUMP(12)		2
26	17C-512	BOLT			2
27	NAP	HOSE	44"(1118 mm) long-Order Ref. FUEL SYSTEM(38)		1
28	79K-5	O-RING	flat boss face		x
28	99K-5	O-RING	tapered boss face		x
29	30H-36	CLAMP			2
30	17C-612	BOLT			2
31	61D-6	NUT			1
32		SENSOR	fuel - W/Ref. FUEL SYSTEM(35) - See Page ENGINE ELECTRICAL CIRCUITRY(1) & ENGINE ELECTRICAL CIRCUITRY(1)		1
33	6577821	HOSE	bulk - Sold Per Foot		x
34	6577822	HOSE	bulk - Sold Per Foot		x

DISC BRAKE



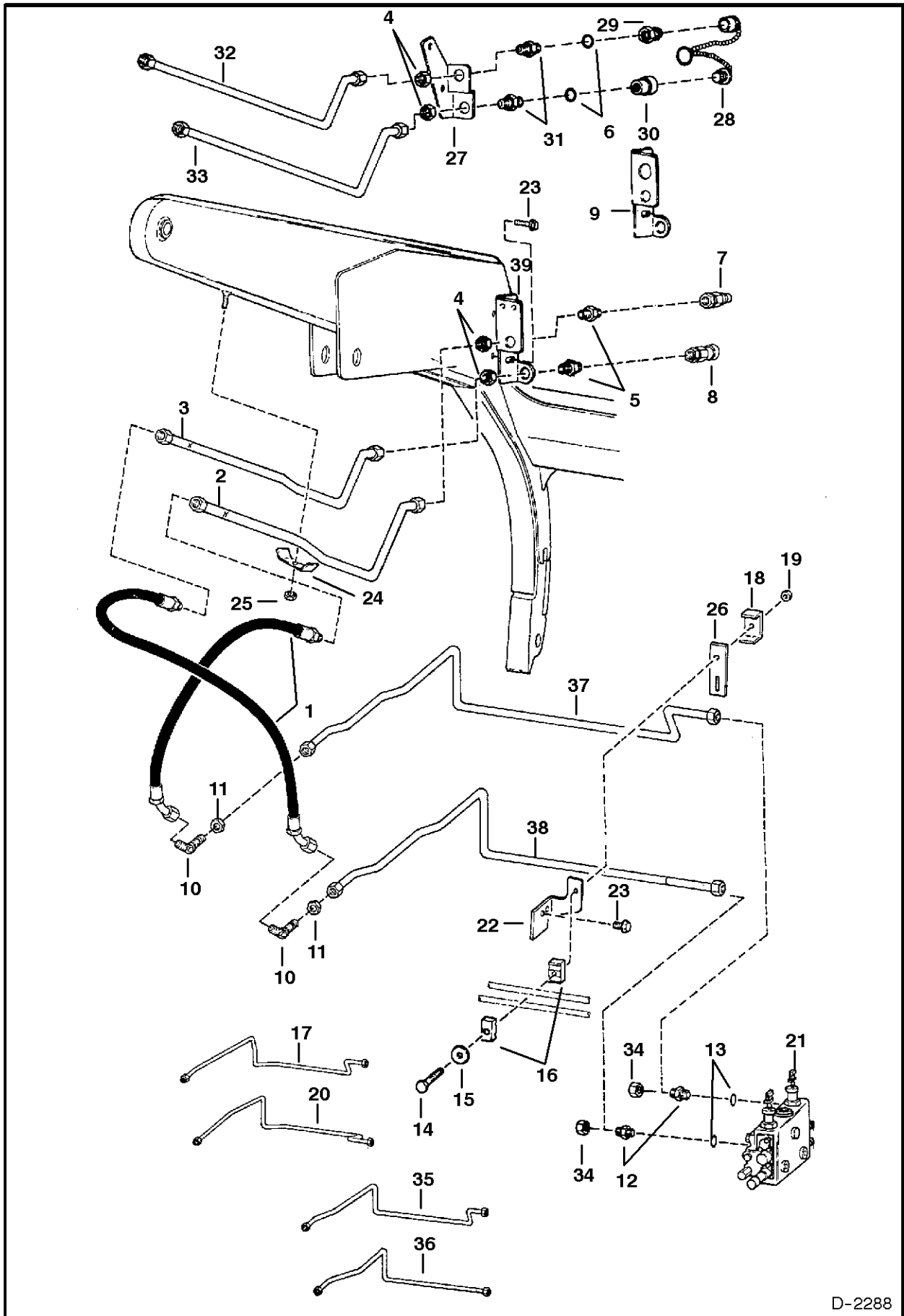
TS-1455

HYDRAULIC CIRCUITRY (W/ Bucket Positioning Valve)



E-2315

AUXILIARY HYDRAULICS



D-2288

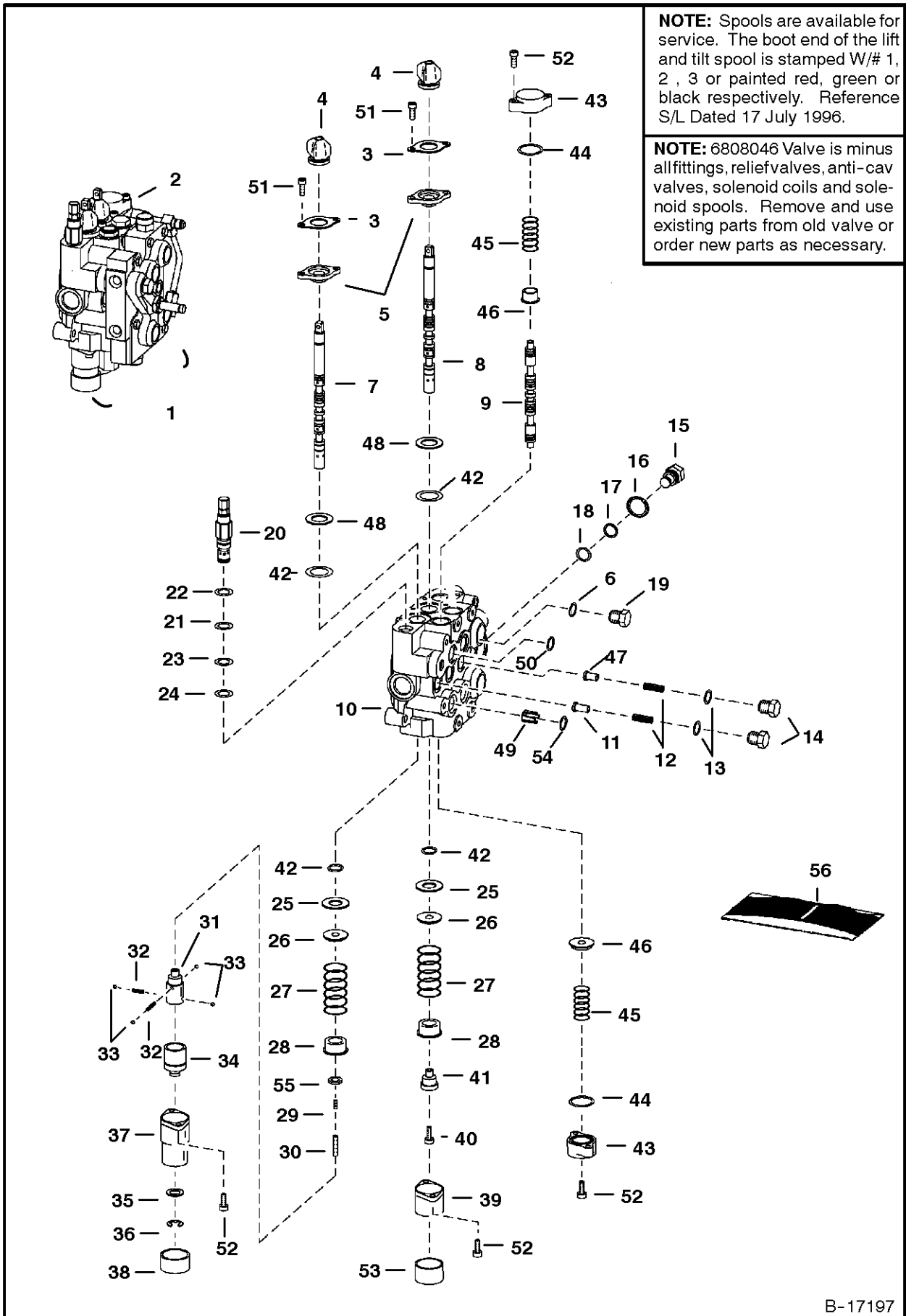
TILT CYLINDER

Ref.N°	Part N°	Description	Remarks	Serial N°	Qty.
1	6804630	CYLINDER	tilt - Ref. TILT CYLINDER(2)-TILT CYLINDER(19) - Before ordering repair parts, make sure that this is the correct style cylinder		1
2	NAP	CASE	3.5'(88,9 mm) I.D - Order Ref. 1 - Was 6804633 [A]		1
3	6804632	PISTON	1.125' (28,6 mm) I.D.		1
4	6539934	HEAD			1
5	6804631	ROD	1.5' (38,1 mm) O.D - W/Ref. TILT CYLINDER(14)- W/ grease zerk hole		1
6	6804592	NUT			1
7	54K-30300	O-RING			1
8	1530265	SEAL	piston		1
9	54K-60304	O-RING			1
10	80K-338	WASHER	back-up		1
11	58K-238	O-RING			1
12	6667326	SEAL			1
13	6665086	SEAL	wiper		1
14	6805150	BUSHING	wear - W/ grease zerk hole		1
15	6586586	TUBE			1
16	95K-6	O-RING	tapered boss face		2
17	90KV-5	PLUG	W/Ref. TILT CYLINDER(16) - tapered boss face		2
18	6562266	CLAMP			1
19	95D-6	NUT	Was 91D-6 [A]		1
20	6804606	SEAL KIT	Ref. TILT CYLINDER(6) - TILT CYLINDER(13)		1

HYDRAULIC CONTROL VALVE

Ref.N°	Part N°	Description	Remarks	Serial N°	Qty.
40	6586918	SCREW			1
41	NAP	PLUG	plastic - Order 6596807inD1}N Plug & 54K-20002inD1 }P O-ring - Was 6592752 [A]		1
41	6596807	PLUG			1
41	54K-20002	O-RING			1
42	NAP	TEE	W/Ref. HYDRAULIC CONTROL VALVE(45) - W/O flared end O-ring - Was 6587888 [A]		1
42	6805696	TEE	W/Ref. HYDRAULIC CONTROL VALVE(45) - W/flared end O-ring		1
42	97K-6	O-RING	flared end		2
43	6588981	END CAP			2
44	6592720	PLUG	W/Ref. HYDRAULIC CONTROL VALVE(23) - HYDRAULIC CONTROL VALVE(25)		2
45	79K-6	O-RING			x
46	58K-124	O-RING			2
47	6537096	WASHER			2
48	6588197	SPRING			2
49	6577690	TUBE			1
50	NAP	TEE	W/Ref. HYDRAULIC CONTROL VALVE(45) - W/O flared end O-rings - Was 6587889 [A]		1
50	6805243	TEE	W/Ref. HYDRAULIC CONTROL VALVE(45) - W/flared end O-rings		1
50	97K-6	O-RING			2
51	6595663	BUSHING			2
52	6662848	CAP			1
53	6660644	CAP			1
54	6589565	RETAINER	seal		2
55	6665846	SEAL			4
56	58K-127	O-RING			2
57	6717708	COIL	14 volt - Was 6665759 [A]		2
58	6664373	VALVE	optional - port relief & anti-cav. -W/Ref. HYDRAULIC CONTROL VALVE(23) - 2500 PSI - use in tilt cylinder base end port		1
59	6653395	VALVE	solenoid - Ref. HYDRAULIC CONTROL VALVE(16) & HYDRAULIC CONTROL VALVE(58)		2
59	6586459	SEAL KIT			x
60	79K-7	O-RING			x
61	6803605	SEAL KIT	Ref. HYDRAULIC CONTROL VALVE(4), HYDRAULIC CONTROL VALVE(52) & HYDRAULIC CONTROL VALVE(56) - For One Spool - See S/L 31 Aug 92		3
61	6632279	SEAL KIT	main relief - Ref. HYDRAULIC CONTROL VALVE(17) - HYDRAULIC CONTROL VALVE(20)		1
61	6809425	SEAL KIT	Ref. HYDRAULIC CONTROL VALVE(13) & HYDRAULIC CONTROL VALVE(23) - HYDRAULIC CONTROL VALVE(25) - Was 6586461 [A]		1
61	6596311	SEAL KIT	complete - Ref. HYDRAULIC CONTROL VALVE(4), HYDRAULIC CONTROL VALVE(13), HYDRAULIC CONTROL VALVE(17) - HYDRAULIC CONTROL VALVE(2		1

*** HYDRAULIC CONTROL VALVE
(W/ BICS Control Valve) (Service Valve - Minus Fittings)**



B-17197

BICS CONTROL VALVE

Ref.N°	Part N°	Description	Remarks	Serial N°	Qty.
1	6628571	VALVE	Ref. BICS CONTROL VALVE(2) - BICS CONTROL VALVE(8)		1
2	6668765	VALVE	pilot operated		2
3	6669734	SEAL KIT			x
4	NSS	BODY			1
5	6669732	SEAL KIT			x
6	6667687	STEM	solenoid valve		1
7	6669733	SEAL KIT			x
8	6669057	CHECK VALVE	filter		1
9	NAP	COIL	W/O diode - Was 6667138 [A]		1
9	6671025	COIL	W/ diode - SEE NOTE		x
10	54K-20028	O-RING			2
11	6668820	NUT			1
12	6668791	ORIFICE			1
13	43C-532	BOLT		& Bel	6
13	43C-532	BOLT		& Abv	4
14	55K-212	O-RING			4
15	55K-204	O-RING			1
16	NAP	VALVE	Ref. BICS CONTROL VALVE(9)-BICS CONTROL VALVE(11) - Was 6667688 [A]		1
16	6672471	SOLENOID	Ref. BICS CONTROL VALVE(5), BICS CONTROL VALVE(6) & BICS CONTROL VALVE(9) - BICS CONTROL VALVE(11) - SEE NOTE		x
17	43C-524	BOLT		& Abv	2

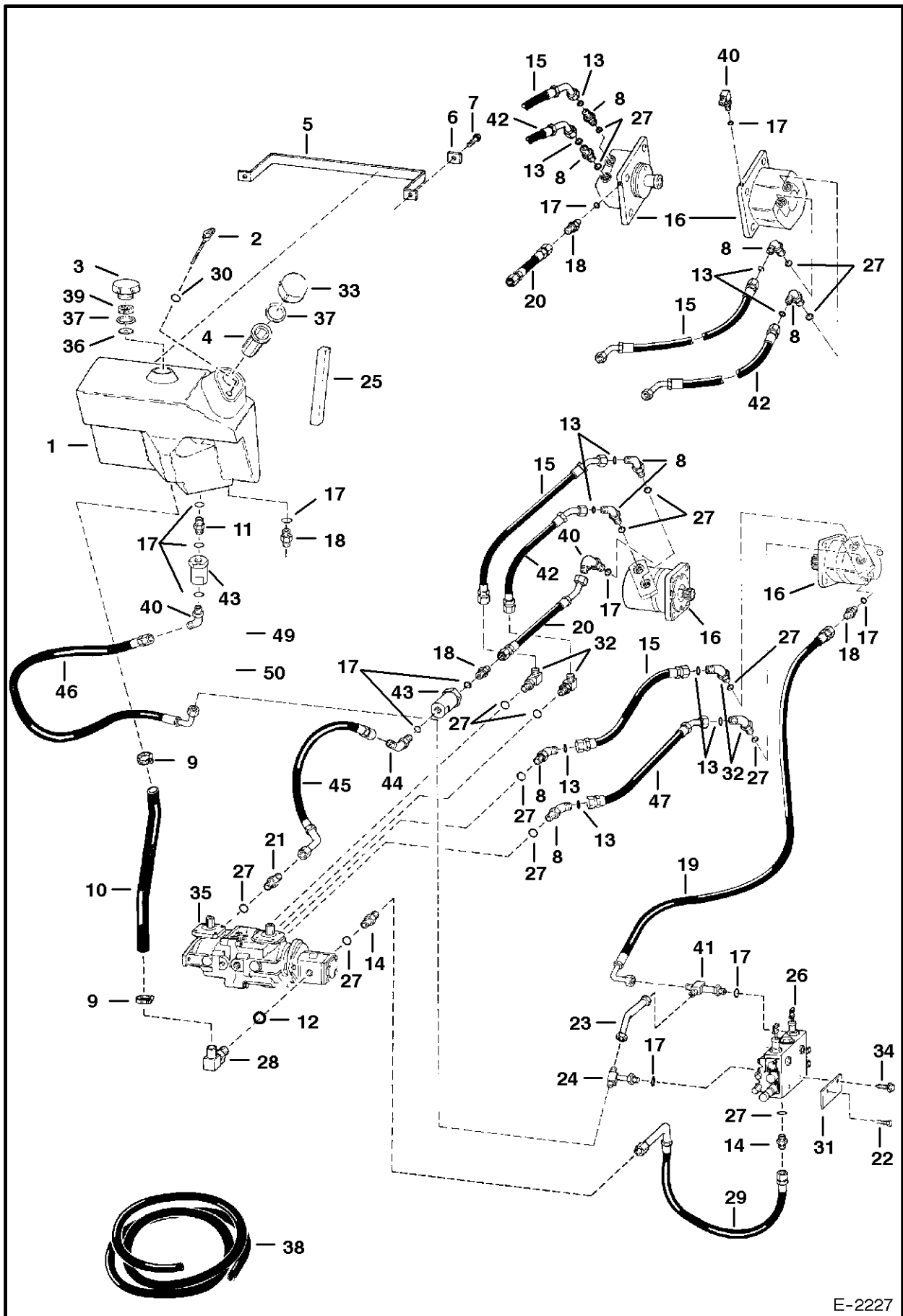
HIGH FLOW HYDRAULICS

Ref.N°	Part N°	Description	Remarks	Serial N°	Qty.
1	6706175	HOSE			2
2	46K-8	ELBOW	See Page AUXILIARY HYDRAULICS(1)		2
3	86F-8	NUT	See Page AUXILIARY HYDRAULICS(1)		2
4	6705062	TUBE			1
5	6705063	TUBE			1
6	18K-8	ELBOW	W/Ref. HIGH FLOW HYDRAULICS(14)		1
7	15K-8	ADAPTER	W/Ref. HIGH FLOW HYDRAULICS(14)		3
8	6705030	BRACKET			1
9	84G-3712	BOLT			3
10	17C-612	BOLT			2
11	6704010	BLOCK			2
12	79K-10	O-RING			x
13	6704013	ELBOW	W/Ref. HIGH FLOW HYDRAULICS(12)		2
14	79K-12	O-RING			x
15	6648970	QUICK COUPLER	male		1
16	6515599	CAP			1
17	6648968	QUICK COUPLER	female		1
17	6655796	SEAL KIT			1
18	6515598	PLUG	Was 6515590 [D]		1
19	3679001	CAP			1
20	6658253	QUICK COUPLER	male - thread together		1
20	6658252	QUICK COUPLER	female - thread together - See attachments fiche		1
21	45K-5	ADAPTER			3
22	79K-6	O-RING			x
23	6705029	BRACKET			1
24	86F-5	NUT			3
25	6705064	TUBE			1
26	21K-5	TEE	W/Ref. HIGH FLOW HYDRAULICS(22)		1
27	6719108	HOSE	Was 6706142 [A]		1
28	6705280	TUBE			1
29	6704921	TEE	W/Ref. HIGH FLOW HYDRAULICS(14)		1
30	6707232	HOSE			1
31	NAP	inD1,SHIELD	28'(711,2 mm) long - Order Ref. HIGH FLOW HYDRAULICS(32)		1
32	6652367	HOSE	bulk - Sold Per Foot		x
33	6624289	STA-STRAP			2
34	6659459	VALVE	inline - W/Ref. HIGH FLOW HYDRAULICS(14)		1
35	6705487	HOSE			1
36	18K-5	ELBOW	W/Ref. HIGH FLOW HYDRAULICS(22)		1
37	17K-5	ELBOW	W/Ref. HIGH FLOW HYDRAULICS(22)		1
38	6714904	TEE	W/Ref. HIGH FLOW HYDRAULICS(39) - Was 6706466 [A]		1
39	79K-16	O-RING			x
40	42H-16	CLAMP			2
41	6714423	HOSE	Was 6705466 [C]		1
42	1316263	ADAPTER	W/Ref. HIGH FLOW HYDRAULICS(12)		1
43	30H-42	CLAMP			1
44	6706508	DECAL			1
45	6703899	DIODE			4
46	6668813	SWITCH	to activate HFH -See Page CAB ELECTRICAL CIRCUITRY(1) - Was 6665320 [A]		1

HIGH FLOW HYDRAULICS

Ref.N°	Part N°	Description	Remarks	Serial N°	Qty.
1	NAP	VALVE	Ref. HYDRAULIC CONTROL VALVE(2) HIGH FLOW HYDRAULICS(56) -W/long spools & fittings - Before ordering repair parts, make sure th		1
2	6588165	SCREW			4
3	22E-4	WASHER			11
4	6587763	BOOT			2
5	6592123	RETAINER			2
6	6534630	RESTRICTOR	.134/.141		1
7	6666576	SPOOL	lift - #1 or red - SEE NOTE		1
7	6666577	SPOOL	lift - #2 or green - SEE NOTE		1
7	6666578	SPOOL	lift - #3 or black - SEE NOTE		1
8	6666579	SPOOL	tilt - #1 or red - SEE NOTE		1
8	6666580	SPOOL	tilt - #2 or green - SEE NOTE		1
8	6666581	SPOOL	tilt - #3 or black - SEE NOTE		1
9	6588074	SPOOL	auxiliary - SEE NOTE		1
10	NSS	BODY			1
11	6592115	SEAT			2
12	6592117	SPRING			2
13	79K-8	O-RING			3
14	6592116	NUT	load check		3
15	6661225	VALVE	main relief - W/Ref. HYDRAULIC CONTROL VALVE(17) - HYDRAULIC CONTROL VALVE(20) - 3250-3350 PSI		1
16	6665758	STEM	W/Ref. HIGH FLOW HYDRAULICS(60)		2
17	58K-17	O-RING			1
18	6665569	WASHER	back-up		1
19	25K-20016	O-RING			1
20	6665570	RING	glide		1
21	6599161	RELIEF VALVE	port relief - 3400-3600 PSI - W/Ref. HYDRAULIC CONTROL VALVE(23) - HYDRAULIC CONTROL VALVE(25)		1
22	6667549	VALVE	anti-cavity check -W/Ref. HYDRAULIC CONTROL VALVE(23)-HYDRAULIC CONTROL VALVE(25) - Was 6661345 [B]		2
23	79K-10	O-RING			5
24	80K-14	WASHER	back-up		4
25	58K-14	O-RING			4
26	69G-414	SCREW	Was 6588164 [A]		2
27	6587633	BONNET	W/.50' flange		1
28	6588166	SCREW			1
29	6592109	ADAPTER			1
30	6592100	COLLAR			2
31	6587580	SPRING			2
32	6587523	WASHER			4
33	799119	RETAINER			1
34	6592098	WASHER			1
35	6589226	BONNET			1
36	6531270	SLEEVE	lift		1
37	6587575	ADAPTER			1
38	6592107	SPRING			2
39	6592105	BALL			4
40	6586918	SCREW			1

HYDROSTATIC CIRCUITRY



E-2227

HYDROSTATIC MOTOR

Ref.N°	Part N°	Description	Remarks	Serial N°	Qty.
1	6657024	MOTOR	Ref. HYDROSTATIC MOTOR(2) - HYDROSTATIC MOTOR(24) -Model 137-1001-002		1
2	6659475	END CAP	W/Ref. HYDROSTATIC MOTOR(27)		1
3	6513510	PISTON			1
4	6513532	POPPET			2
5	6513533	SPRING			2
6	6561218	SHUTTLE			2
7	6632271	PLUG	W/Ref. HYDROSTATIC MOTOR(24)		2
8	6659476	BACK-UP RING			1
9	6659477	O-RING			1
10	6651542	BALL			2
11	6659479	PLATE	valve		1
12	6651544	GEROLER			1
13	6659480	FLANGE			1
14	25K-30202	O-RING			1
15	6659481	SHAFT			1
16	6651548	BOLT			4
17	6651549	SEAL			2
18	6659482	DOWEL PIN			3
19	6659483	BACK-UP RING			1
20	6651552	O-RING			1
21	6659484	O-RING			1
22	6659485	BACK-UP RING			1
23	6659478	DISC	pressure		1
24	79K-6	O-RING			2
25	6659601	SEAL KIT	Ref. HYDROSTATIC MOTOR(8), HYDROSTATIC MOTOR(9), HYDROSTATIC MOTOR(14), HYDROSTATIC MOTOR(17), HYDROSTATIC MOTOR(19)-HYDROSTATIC		1
26	58K-243	O-RING	See Page DRIVE TRAIN(1)		1
27	NAP	PLUG	requires special tool to install - Was 6667880 [D]		2

HYDROSTATIC PUMP

Ref.N°	Part N°	Description	Remarks	Serial N°	Qty.
1	NAP	PUMP	Complete W/Gear Pump - gray - Domestic-Model 4355049-Order 6669464inD1}} Pump - Pump can be mounted W/vertical or horizontal mou	5127 16001-27374	1
1	6669464	PUMP	Complete W/Gear Pump - gray - Domestic - Model 4355066	5127 27375 & Abv	1
1	6671019	PUMP	Remanufactured		1
1	NAP	PUMP	Complete W/Gear Pump - black- Model 4355047 - Export - Order 6671019inD1}w Pump - Was 6669014 [A]	5086 94504-95347	1
1	NAP	PUMP	Complete W/Gear Pump - black- Model 4355065 - Export - Order 6671019inD1}w Pump - Was 6669465 [A]	5114 76001 & Abv	1
1				5139 31364 & Abv	1
1	NAP	PUMP	remanufactured - Order 6671019inD1}w Pump - Was 6669465REM [A]		1
1	6672051	PUMP	Model 4445050	5086 95348 & Abv	1
1				5158 13845 & Abv	1
1				5162 11001-19999	1
2	6669402	HOUSING			1
3	6669408	SHAFT			1
4	6J-807	KEY			1
5	658128	SNAP RING			2
6	654299	BEARING			1
7	6650634	GASKET			1
8	669863	SNAP RING			2
9	6645090	SEAL			1
10	6669409	WASHER			1
11	6650652	RELIEF	charge		1
12	6669411	BEARING			2
13	6660814	O-RING			2
14	6657068	COVER			2
15	6650668	BOLT			4
16	6669404	SWASH PLATE	Models 4355049, 4355066, 4355047 & 4355065		1
16	6671513	SWASH PLATE	Model 4445050		1
17	6650627	PLATE			1
18	NAP	PISTON ASSY.	Order Ref. HYDROSTATIC PUMP(53)		1
19	NAP	RETAINER	Order Ref. HYDROSTATIC PUMP(53)		1
20	NAP	RETAINER	guide - Order Ref. HYDROSTATIC PUMP(53)		1
21	6666338	WASHER			1
22	6650629	PIN			4
23	6650630	RETAINER			1
24	NAP	BLOCK	Order Ref. HYDROSTATIC PUMP(53)		1
25	NAP	WASHER	Order Ref. HYDROSTATIC PUMP(53)		1
26	NAP	SPRING	Order Ref. HYDROSTATIC PUMP(53)		1
27	NAP	WASHER	Order Ref. HYDROSTATIC PUMP(53)		1
28	NAP	WASHER	Order Ref. HYDROSTATIC PUMP(53)		1
29	6669401	VALVE PLATE	Models 4355049, 4355066, 4355047 & 4355065		1
29	6671515	VALVE PLATE	Model 4445050		1
30	6650636	PIN			1
31	47K-8	PLUG	W/Ref. HYDROSTATIC PUMP(57)		2
32	6518460	PIN			4
33	NAP	PLUG	Order Ref. HYDROSTATIC PUMP(58) or HYDROSTATIC PUMP(59) - Was 6657070 [A]		2

HYDROSTATIC OIL FILTER

Ref.N°	Part N°	Description	Remarks	Serial N°	Qty.
1	6661022	FILTER	Ref. HYDROSTATIC OIL FILTER(2) - HYDROSTATIC OIL FILTER(8)		1
2	NAP	HOUSING			1
3	NAP	SPRING			1
4	NAP	ELEMENT			1
5	NAP	SPRING			1
6	NAP	GASKET			1
7	NAP	O-RING			1
8	NAP	PLUG			1
9	6661807	KIT	element - Ref. HYDROSTATIC OIL FILTER(4), HYDROSTATIC OIL FILTER(6) & HYDROSTATIC OIL FILTER(7)		1
10	6661808	KIT	spring - Ref. HYDROSTATIC OIL FILTER(3) & HYDROSTATIC OIL FILTER(5)		1

CAB ELECTRICAL CIRCUITRY

Ref.N°	Part N°	Description	Remarks	Serial N°	Qty.
1	6578824	HOUSING	rubber		2
2	6649478	BULB HOUSING			2
3	6707671	HARNESS		5127 27672 & Bel	1
3				5086 93001-94556	1
3				5114 76001 & Abv	1
3	6711774	HARNESS	accommodates side console option	5127 27673 & Abv	1
3				5158 11001-29999	1
3				5162 11001-19999	1
3	6710483	HARNESS	accommodates side console opt.	5086 94557 & Abv	1
4	NAP	SWITCHinD1inD1inD1	ignition - W/Ref. CAB ELECTRICAL CIRCUITRY(5) & CAB ELECTRICAL CIRCUITRY(6) - Order Ref. CAB ELECTRICAL CIRCUITRY(20) - See BTli		1
4	6665606	SWITCH			1
5	6512809	KEY	ignition-For Ref. CAB ELECTRICAL CIRCUITRY(4) (NAP/6519592 Switch)		x
5	6709527	KEY	ignition - For Ref. CAB ELECTRICAL CIRCUITRY(4) (6665606 Switch) - Was 6666202 [A]		2
6	6598721	NUT	For Ref. CAB ELECTRICAL CIRCUITRY(4) - (NAP/6519592 Switch)		2
6	6674202	NUT	For Ref. CAB ELECTRICAL CIRCUITRY(4) - (6665606inD1 Switch)		2
7	6667934	LIGHT BULB	Was 6650111 [A]		2
8	6702660	PANEL	R.H.		1
9	6667903	SWITCH	aux. controls module - W/4-spade connector - W/Ref. CAB ELECTRICAL CIRCUITRY(34) - Was 6700603 [A]	5127 27672 & Bel	1
9				5086 94556 & Bel	1
9	6667904	SWITCH	aux. controls module - W/ 5-pin connector - W/Ref. CAB ELECTRICAL CIRCUITRY(34)	5127 27673 & Abv	1
9				5086 94557 & Abv	1
9				5158 11001-29999	1
9				5162 11001-19999	1
10	6702678	PLATE	service codes		1
11	6665410	LIGHT SWITCH	light		1
12	6708427	PANEL	L.H. - Was 6707660 [A]		1
12	6708428	PANEL	L.H. - Europe - See Page EUROPEAN ACCESSORIE S(1)		1
13	17E-8	WASHER			2
14	6578528	HARNESS	light		2
15	6665923	DISPLAY	LCD monitor - Was 6708080 [A]		1
16	6706876	HARNESS		5127 23203 & Bel	1
16				5086 30826 & Bel	1
16				5086 93001-93940	1
16				5114 76379 & Bel	1
16	6710313	HARNESS		5127 23204-27420	1
16				5086 30827-92999	1
16				5086 93941-94508	1
16				5114 76380 & Abv	1
17	6707664	PLATE	For Ref. CAB ELECTRICAL CIRCUITRY(4) (NAP/6519592 Switch)		1
17	6708693	PLATE	For Ref. CAB ELECTRICAL CIRCUITRY(4) (6665606 Switch)		1
18	10C-412	BOLT			5
19	91G-412	BOLT	cross recess pan head		3

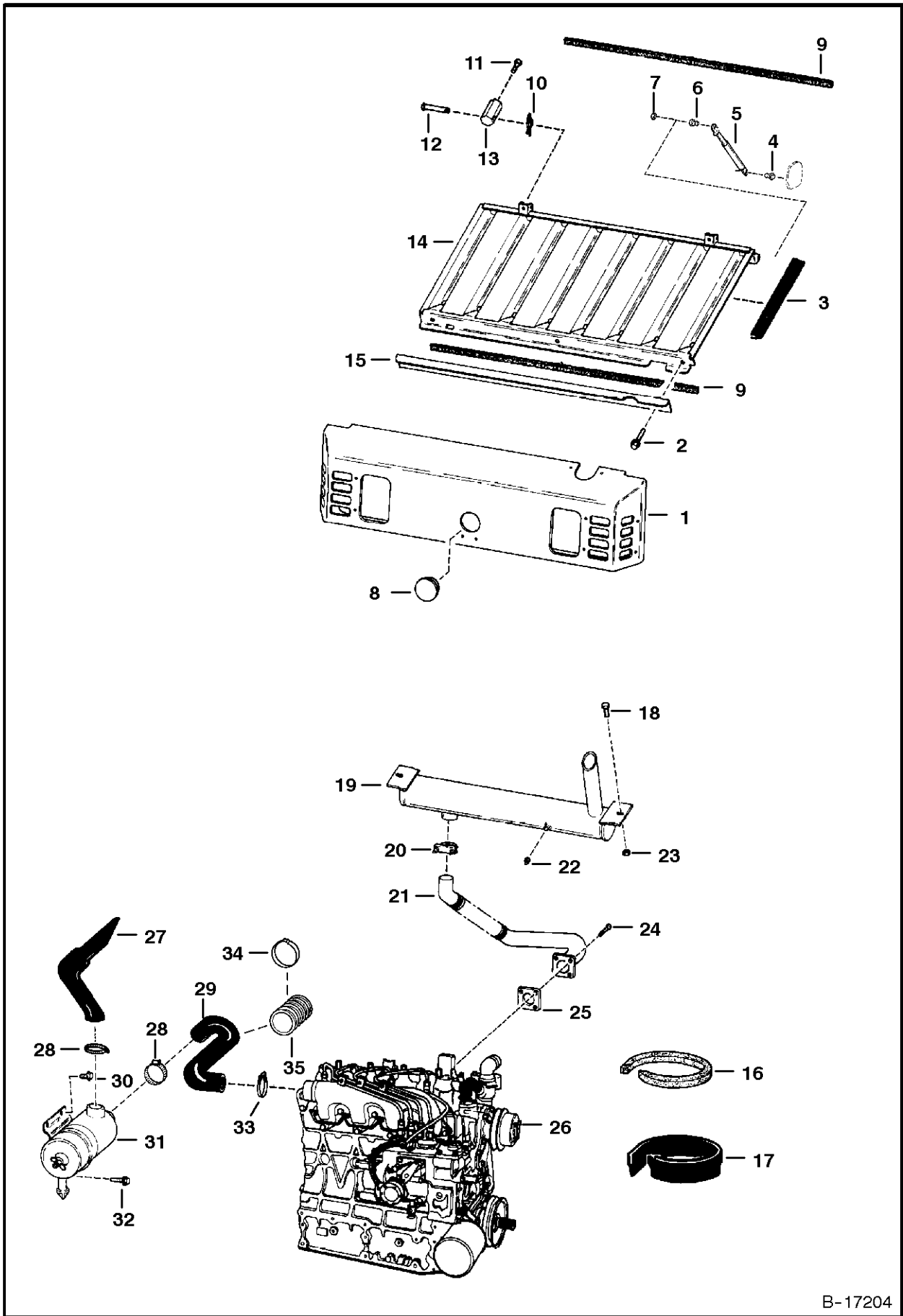
ENGINE ELECTRICAL CIRCUITRY

Ref.N°	Part N°	Description	Remarks	Serial N°	Qty.
49				5158 11001-29999	1
49				5162 11001-19999	1
49	6666918	BOSS	back-up	5127 24122 & Bel	1
49				5086 94030 & Bel	1
49				5114 76437 & Bel	1
49	6669687	BOSS	back-up - Was 6667363 [A]	5127 24123 & Abv	1
49				5086 94031 & Abv	1
49				5114 76438 & Abv	1
49				5158 11001-29999	1
49				5162 11001-19999	1
50	6661518	SENDER	hyd. chg. press. -W/2 pin threaded terminals		1
50	6665033	SENDER	hyd. chg. press. W/2 pin molded socket terminal		1
51	6658260	SENSOR	r.p.m.		1
52	6646383	CONNECTOR	fuel sender		1
52	6632946	TERMINAL	female		2
53	6665358	COVER	fuses		2
54	6707620	FUSE	10 amp		x
54	6707621	FUSE	15 amp		x
54	6707622	FUSE	20 amp		x
54	6707623	FUSE	25 amp		x
54	6674099	BREAKER	25 amp		x
55	6563922	SNUBBER	W/Filter		1
55	6563920	FILTER			1
56	83D-4	NUT	Was 83D-5 [B]		2
57	30H-60	CLIP			2
58	23F-1	ELBOW			1
59	50D-12	NUT			2
60	84G-3712	BOLT			2
61	6707649	MOUNT			1
62	30H-57	CLAMP	Was 30H-50 [B]		1
63	45G-1212	BOLT			2
64	30H-48	CLAMP			1
65	35C-416	BOLT	Was 35C-516 [B]		1
66	6664286	BOOT	Also Order Ref. ENGINE ELECTRICAL CIRCUITRY(9)		1
67	35C-608	BOLT			1
68	61D-4	NUT			2
69	6707787	DECAL	relay		1
70	6664585	CONNECTOR	Also Order (20) of Ref. ENGINE ELECTRICAL CIRCUITRY(71) & (4) of Ref. ENGINE ELECTRICAL CIRCUITRY(72) - Was 6665682 [A]		1
71	6664828	SOCKET			x
72	6664041	SOCKET			4
73	6708437	CLIP	spring		2
74	6704931	HARNESS	transducer - only used W/Ref. ENGINE ELECTRICAL CIRCUITRY(50) 6661518inD1} Sender		1
75	6660260	SWITCH	filter - See Page HYDROSTATIC OIL FILTER(1)		1
76	6665369	MOUNT	fuse		2
77	6665411	WEDGE	red		3
78	6665356	BLOCK	fuse - W/Ref. ENGINE ELECTRICAL CIRCUITRY(95)		2
78	NSS	SEAL	green square		1

STARTER

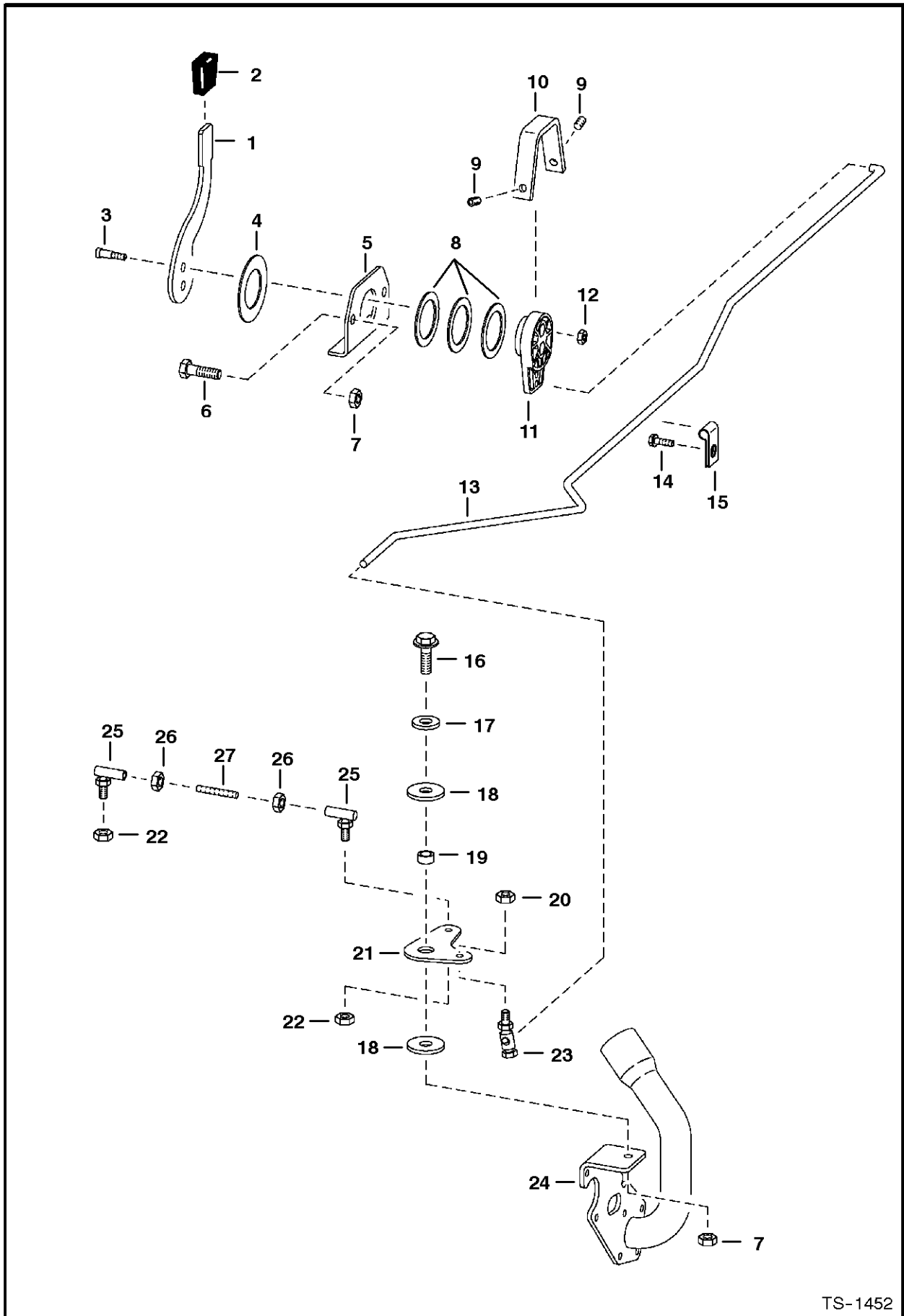
Ref.N°	Part N°	Description	Remarks	Serial N°	Qty.
1	NAP	STARTER	Order 6660797REMinD1}l Starter or 6714082inD1}K Starter Kit on Page STARTER KIT(1) - Was 6660797 [A]		1
1	6660797REM	STARTER	remanufactured		1
2	NSS	SCREW			2
3	6658582	SOLENOID			1
4	1CM-650	BOLT			1
5	6658572	LEVER			1
6	1EM-60	WASHER			1
7	7DM-6	NUT			1
8	13GM-404	SCREW			2
9	6658566	BRUSH			2
10	NSS	PIN			1
11	NSS	BOLT			2
12	NSS	PLUG			1
13	NSS	WASHER			1
14	NSS	WASHER			1
15	6658567	BUSHING			1
16	6658579	HOUSING	drive		1
17	NSS	RING			1
18	6658573	STOP			1
19	6661688	DRIVE			1
20	6661686	SUPPORT	drive - W/Seal		1
21	6658571	SUPPORT	center		1
22	6658576	SHAFT	drive		1
23	NSS	WASHER			1
24	NSS	WASHER			2
25	NSS	WASHER			1
26	6658577	SUPPORT	armature		1
27	NSS	BOLT			2
28	NSS	GASKET			1
29	6658580	FRAME	assy.		1
30	NSS	SCREW			2
31	NSS	WASHER			2
32	6658575	FRAME			1
33	13GM-408	SCREW			2
34	6658565	BRUSH			2
35	NSS	SPACER			1
36	6658569	BEARING			1
37	6658574	ARMATURE			1
38	6658570	BEARING			1
39	6658568	SPRING			4
40	6658564	HOLDER	brush assy.		1
41	6658581	O-RING			1
42	NSS	O-RING	For 10479613		1

ENGINE & ATTACHING PARTS (Air Cleaner, Muffler & Grill)



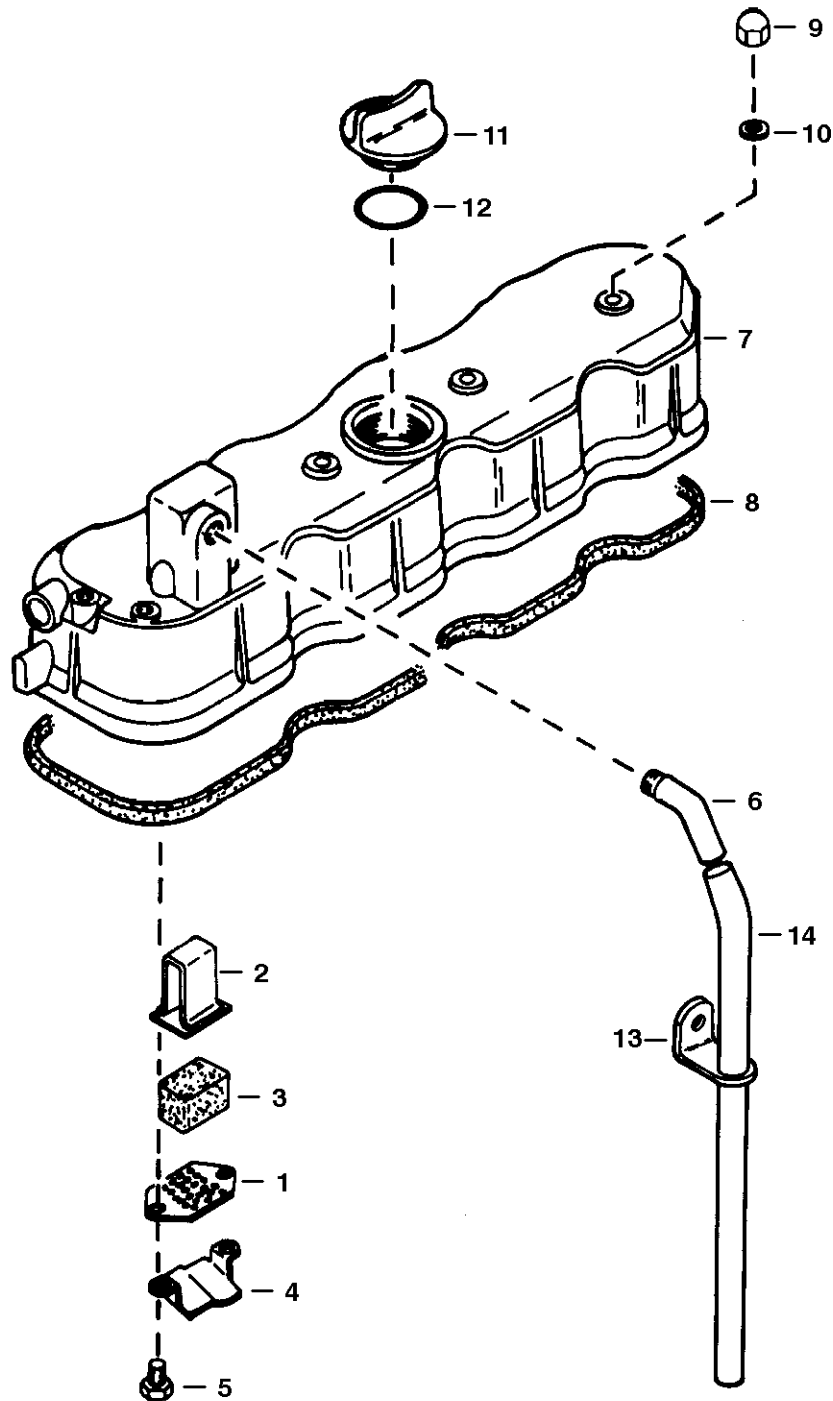
B-17204

THROTTLE



TS-1452

ROCKER ARM COVER



B-13158

PISTON & CRANKSHAFT

Ref.N°	Part N°	Description	Remarks	Serial N°	Qty.
35	6666814	GASKET	Was 6655167 [A]		1

MANIFOLDS

Ref.N°	Part N°	Description	Remarks	Serial N°	Qty.
1	6651482	MANIFOLD	exhaust		1
2	NAP	GASKET	Order Ref. MANIFOLDS(10) & MANIFOLDS(11) - Was 3974915 [A]		4
3	6652670	STUD			8
4	6652792	NUT			8
5	6EM-80	WASHER	spring		12
6	6575580	GASKET	muffler		1
7	6655171	MANIFOLD	intake		1
8	6666811	GASKET	Was 6655172 [A]		1
9	4CM-822	BOLT			7
10	6666781	GASKET			1
11	6666791	GASKET			1

INJECTION PUMP

Ref.N°	Part N°	Description	Remarks	Serial N°	Qty.
1	6655199	PUMP	injection - Ref. INJECTION PUMP(2)-INJECTION PUMP(24)	E/60896 & Bel	1
1	6667996	PUMP	injection - No serviceable parts available - Take to specialist	E/60897 & Abv	1
1	6674676	PUMP	injection	E/0XA001 & Abv	1
2	6655207	PLATE	adjust		3
3	6655206	BOLT			3
4	6655203	SPRING	delivery valve		4
5	3974368	GASKET	delivery valve		4
6	6655202	VALVE	delivery		4
7	6655201	ELEMENT	pump		4
8	3975428	SCREW			1
9	3975389	GASKET			2
10	NSS	HOUSING	pump		1
11	3974787	RACK	control		1
12	6655209	PLATE	adjusting		3
13	3974366	BOLT			3
14	6655204	HOLDER	delivery valve		4
15	6653894	SLEEVE	control		4
16	3974381	SEAT	spring - Upper		4
17	3974382	SPRING	plunger		4
18	3974383	SEAT	spring - Under		4
19	3974384	SHIM			4
20	3974385	TAPPET	W/Ref. INJECTION PUMP(21), INJECTION PUMP(22)		4
21	NSS	ROLLER			4
22	NSS	PIN			4
23	6655518	O-RING	Was 6646730 [A]		4
24	6655205	PLATE ASSY.			2

CLICK HERE TO **DOWNLOAD** THE COMPLETE MANUAL

- Thank you very much for reading the preview of the manual.
- You can download the complete manual from: www.heydownloads.com by clicking the link below



- Please note: If there is no response to CLICKING the link, please download this PDF first and then click on it.

CLICK HERE TO **DOWNLOAD** THE COMPLETE MANUAL

ACCESS COVER

Ref.N°	Part N°	Description	Remarks	Serial N°	Qty.
1	6700710	KIT	Ref. ACCESS COVER(2)-ACCESS COVER(4)		1
2	6700347	COVER			1
3	6700704	BUSHING			1
4	6720185	INSTRUCTIONS			1

BEACON LIGHT

Ref.N°	Part N°	Description	Remarks	Serial N°	Qty.
1	6712692	BEACON KIT	Ref. BEACON LIGHT(2) - BEACON LIGHT(10) - Was 6708342 [A]		1
2	6668816	SWITCH	Was 6665317 [A]		1
3	6665730	BEACON			1
3	6666571	BULB			1
3	6666572	LENS	amber		1
4	6708318	HARNESS	beacon		1
5	6660988	RETAINER			2
6	35C-412	BOLT			2
7	6711708	MOUNT			1
8	6712258	HARNESS	strobe		1
9	6669308	RETAINER	snap in		1
10	6724071	INSTRUCTIONS			1

BUCKET POSITIONING VALVE KIT

Ref.N°	Part N°	Description	Remarks	Serial N°	Qty.
1	6712050	KIT	Ref. BUCKET POSITIONING VALVE KIT(2) - BUCKET POSITIONING VALVE KIT(15) & BUCKET POSITIONING VALVE KIT(20) - BUCKET POSITIONING		1
2	6666341	VALVE	bucket pos. - See Page BUCKET POSITIONING VALVE(1)		1
3	79K-10	O-RING	flat boss face		x
3	99K-10	O-RING	tapered boss face		x
4	17K-7	ELBOW	W/Ref. BUCKET POSITIONING VALVE KIT(3) - flat boss face		2
4	17KV-7	ELBOW	W/Ref. BUCKET POSITIONING VALVE KIT(3) - tapered boss face		2
4	97K-10	O-RING	flared end		2
5	784568	ELBOW	W/Ref. BUCKET POSITIONING VALVE KIT(3) - flat boss face		2
5	6715716	ELBOW	W/Ref. BUCKET POSITIONING VALVE KIT(3) - tapered boss face		2
5	97K-8	O-RING	flared end		2
6	6705068	TUBE			1
7	6710583	TUBE			1
8	6704839	TUBE			1
9	6710584	TUBE			1
10	6705070	TEE			1
11	57D-5	NUT			2
12	6704833	BRACKET			1
13	35C-536	BOLT			2
14	35C-412	BOLT			2
15	55D-4	NUT			2
16		TEE	Not in Kit -See Page HYDRAULIC CIRCUITRY(1), Ref. HYDRAULIC CIRCUITRY(53)		1
17		TUBE	Not in Kit - See Page HYDRAULIC CIRCUITRY(1), Ref. HYDRAULIC CIRCUITRY(28)		1
18		ADAPTER	Not in Kit - See Page HYDRAULIC CIRCUITRY(1), Ref. HYDRAULIC CIRCUITRY(20)		2
19		TEE	Not in Kit - See Page HYDRAULIC CIRCUITRY(1), Ref. HYDRAULIC CIRCUITRY(38)		1
20	6668814	SWITCH	See Page BUCKET POSITION ON-OFF KIT(1)		1
21	6672863	SOLENOID	See Page BUCKET POSITION ON-OFF KIT(1) - Was 6708271 [A]		1
21	6670634	SEAL KIT			1
21	6671527	NUT			1
22	6724522	INSTRUCTIONS			1

CAB DOOR

Ref.N°	Part N°	Description	Remarks	Serial N°	Qty.
36	6513152	SEAL	bulk - Sold Per Foot		x
37	6708096	BUSHING			1
38	NAP	HOSE	26"(660,4 mm)long-Order Ref. CAB DOOR(39)		1
39	6708310	HOSE	bulk - Sold Per Foot		x
40	45G-1008	BOLT			4
41	5289686	PLUG	black		11
42	17C-408	BOLT			1
43	55D-4	NUT			1
44	83D-6	NUT			2
45	6512274	CLIP			1
46	NAP	SEAL	28"(711 mm)long-Order Ref. CAB DOOR(36)		2
47	NAP	SEAL	5"(127 mm)long -Order Ref. CAB DOOR(36)		2
48	6610510	NYLON TIE			1
49	46D-5	NUT			1
50	25E-16	WASHER			3
51	6630797	GAS SPRING			1
51	6632221	STUD	ball		2
51	2756257	RETAINER	spring		2
52	6664095	ARM	wiper - W/Ref. CAB DOOR(61) & CAB DOOR(62)		1
53	6664096	BLADE	wiper		1
54	6703751	RETAINER			1
55	6708500	CLAMP	for special applications door		4
56	6564833	SAFETY TREAD	Was 6703757 [B]		1
57	27E-10	WASHER			1
58	6708975	KIT	shields - Ref. CAB DOOR(5), CAB DOOR(7), CAB DOOR(9), CAB DOOR(30), CAB DOOR(31), CAB DOOR(44), CAB DOOR(46), CAB DOOR(47), CAB		1
59	6709527	KEY			1
60	6708225	HARNESS	not in kit - for non BICS loaders only		1
61	6670288	END	plastic		2
62	6670289	BRACKET			1
63	6666766	GROMMET			1
64	6724029	INSTRUCTIONS			1

CLOSED ALTERNATOR

Ref.N°	Part N°	Description	Remarks	Serial N°	Qty.
1	NAP	ALTERNATOR	Ref. CLOSED ALTERNATOR(3)-CLOSED ALTERNATOR(47) - SEE BTI 212inD1} - Was 6662990 [A]		1
2	6630163	PULLEY			1
3	6635557	WASHER	Was 896978 [A]		1
4	896979	NUT			1
5	899157	FAN			1
6	41G-806	SCREW			3
7	17E-8	WASHER			3
8	6630340	HOUSING			1
9	6630345	GASKET			1
10	899374	SEAL			1
11	889163	BEARING			1
12	6630343	RETAINER			1
13	6J-405	KEY			1
14	899163	ROTOR			1
15	1991038	BEARING			1
16	6630341	STATOR			1
17	899375	DIODE			3
18	7C-322	BOLT			1
19	897245	INSULATOR			4
20	899167	SINK	heat		1
21	897239	SLEEVE			1
22	899376	WASHER			2
23	899165	INSULATOR			3
24	896992	RETAINER			1
25	6630342	HOUSING			1
26	6630344	BRUSH ASSY.			1
27	899169	INSULATOR			1
28	84G-1608	SCREW			2
29	6630350	DIODE	field		1
30	84G-1906	SCREW			1
31	6630348	CAPACITOR			1
32	7C-312	BOLT			3
33	896996	WASHER			5
34	899377	BOLT			1
35	17E-10	WASHER			5
36	12D-10	NUT			10
37	899170	GASKET			1
38	84G-1910	SCREW			2
39	6630346	COVER			1
40	6649459	SPACER			1
41	896990	WASHER			1
42	62D-4	NUT			2
43	4E-4	WASHER			1
44	897732	WASHER			1
45	897719	INSULATOR			1
46	896984	BOLT	thru		4
47	899378	DIODE			3
48	6630349	REGULATOR	voltage		1
49	6713803	HARNESS	Was 6704887 [A]		1

DECALS

Ref.N°	Part N°	Description	Remarks	Serial N°	Qty.
1	6900501	KIT	decal		1
1	6716210AR	KIT	decal - SEE NOTE		1
1	6716210BR	KIT	decal - SEE NOTE		1
1	6716210JP	KIT	decal - SEE NOTE		1
1	6716211AR	KIT	translation - SEE NOTE		1
1	6716211BR	KIT	translation - SEE NOTE		1
2	6560573	DECAL	spark arrestor		1
3	6565990	DECAL	hydraulic fluid		1
4	6577754	DECAL	gas spring warning		2
5	6578368	DECAL	push		1
6	6708207	DECAL	'C' Series		1
6	NAP	DECAL	'C' Series - Export - Not in Kit - Was 6709796 [A]		1
6	6709797	DECAL	'C' Series - Export - Not in Kit		1
6	6714858	DECAL	'F'-Series		1
7	6708212	DECAL	service - Was 6578218 [A]		1
8	6709781	DECAL	filters - Was 6708209 [A]		1
9	6579511	DECAL	warning		1
10	6557224	DECAL	patent		1
11	6727309	DECAL	R.H. - Was 6702826 [A]		1
11	6727308	DECAL	L.H. - Was 6702827 [A]		1
12	6727307	DECAL	Bobcat Logo - for two piece rear door - Was 6711327 [A]		1
12	6727311	DECAL	Bobcat Logo - for one piece rear door - Was 6714139 [A]		1
13	6565200	DECAL	engine oil filter		1
14	6705220	DECAL	belt tension - for fixed idler		1
14	6709030	DECAL	belt tension - for spring loaded idler - Was 6711905 [B,D]		1
15	6706558	DECAL	boom stop		1
16	6715991	DECAL	fuse - Was 6707786 [A]		1
17	6702824	DECAL	model no. -753 - R.H.-Not in Kit		1
17	6705361	DECAL	model no. -753H-R.H.-Not in Kit		1
18	6708929	DECAL	propylene glycol antifreeze		1
19	6707867	DECAL	tow hook		1
20	6714532	DECAL	model - Was 6714533 [B,D]	5158 11001-29999	2
20				5162 11001-19999	1
21	6714242	DECAL	for one piece rear door only		1
22	6718398	DECAL	warning/service schedule/ service parts - Was 671556 3 [A]		1
23	6718272	DECAL	advantage series - R.H. - Not in Kit		1

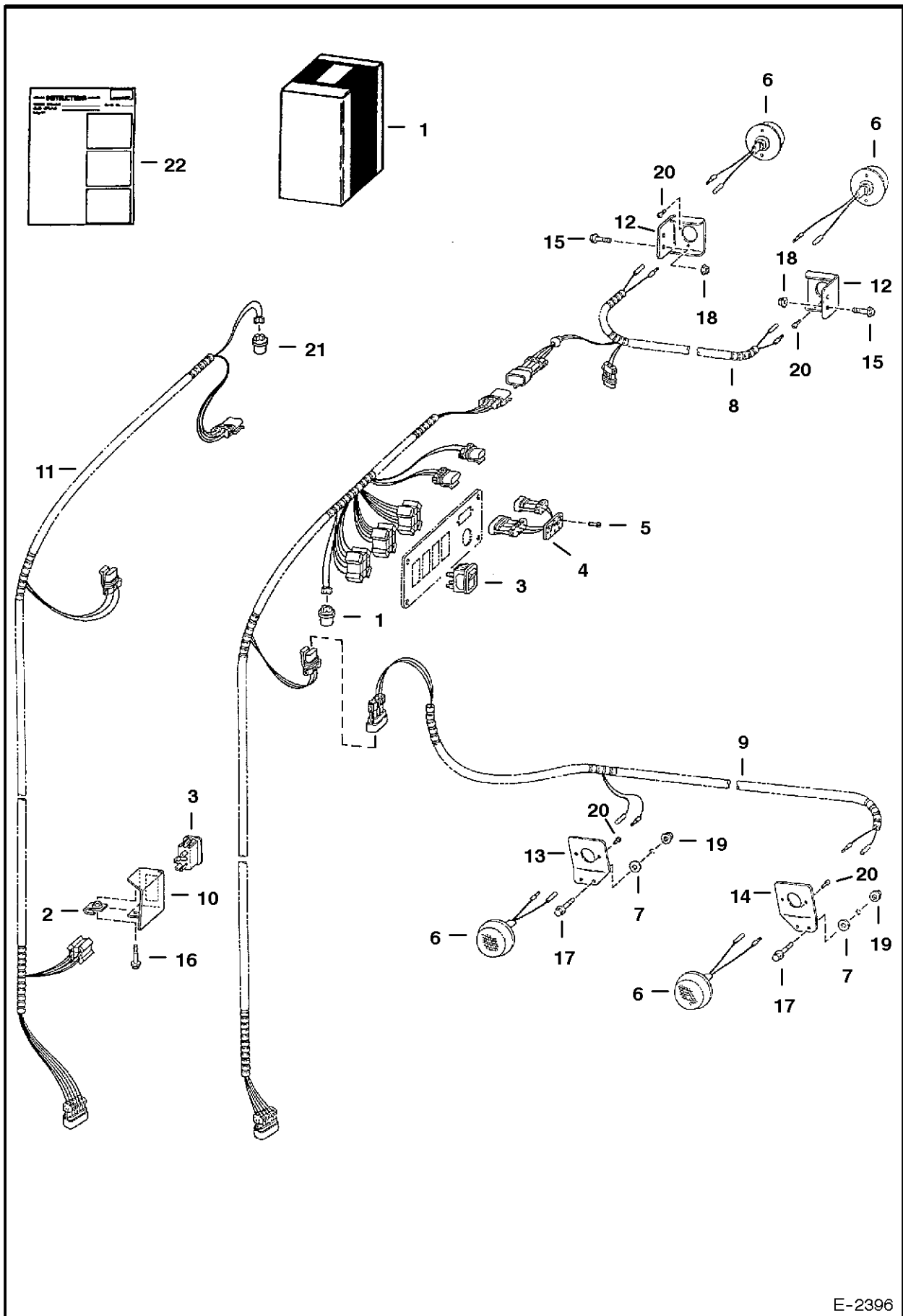
EUROPEAN ACCESSORIES

Ref.N°	Part N°	Description	Remarks	Serial N°	Qty.
1	6709242	KIT	Ref. EUROPEAN ACCESSORIES(2) - EUROPEAN ACCESSORIES(32) - Was NAP [D]		1
2	6710467	MOUNT ASSY.	caliper		2
3	6709236	PEDAL MOUNT	pedal		1
4	6709237	CLAMP			2
5	6709239	PEDAL ASSY	brake		1
6	6709229	BOLT	wheel		8
7	17C-612	BOLT			9
8	95D-6	NUT	Was 91D-6 [A]		5
9	6666932	BRAKE ASSY	See Page EUROPEAN ACCESSORIES(1)		2
10	6666933	CYLINDER	master - See Page EUROPEAN ACCESSORIES(1)		1
11	6661117	TANK			1
12	6599744	BALL JOINT			1
13	8D-6	NUT			1
14	25E-17	WASHER			2
15	17C-532	BOLT			2
16	25E-25	WASHER			1
17	88F-3	ELBOW	W/O O-rings		2
17	88FN-3	ELBOW	W/ O-rings		2
17	97K-4	O-RING	flared end		4
18	98F-3	TEE			1
19	83F-3	ELBOW			4
20	1318565	PIN			1
21	91D-5	NUT			2
22	86F-3	NUT			2
23	6709400	TUBE			1
24	6709409	TUBE			1
25	6709410	TUBE			1
26	6709544	HOSE			2
27	6667139	CAP			1
28	62D-6	NUT			1
29	6709234	DISC	brake		2
30	27E-8	WASHER			8
31	31C-824	BOLT			4
32	6724380	INSTRUCTIONS			1

EUROPEAN ACCESSORIES

Ref.N°	Part N°	Description	Remarks	Serial N°	Qty.
1	6712875	KIT	rail cover - Ref. EUROPEAN ACCESSORIES(2)- EUROPEAN ACCESSORIES(7)		1
2	6712183	MOUNT	R.H.		1
3	6712186	MOUNT	L.H.		1
4	6712070	COVER	R.H.		1
5	6712068	COVER	L.H.		1
6	6712146	WASHER	square		2
7	6724880	INSTRUCTIONS			1

FLASHER LIGHTS (4-Way)

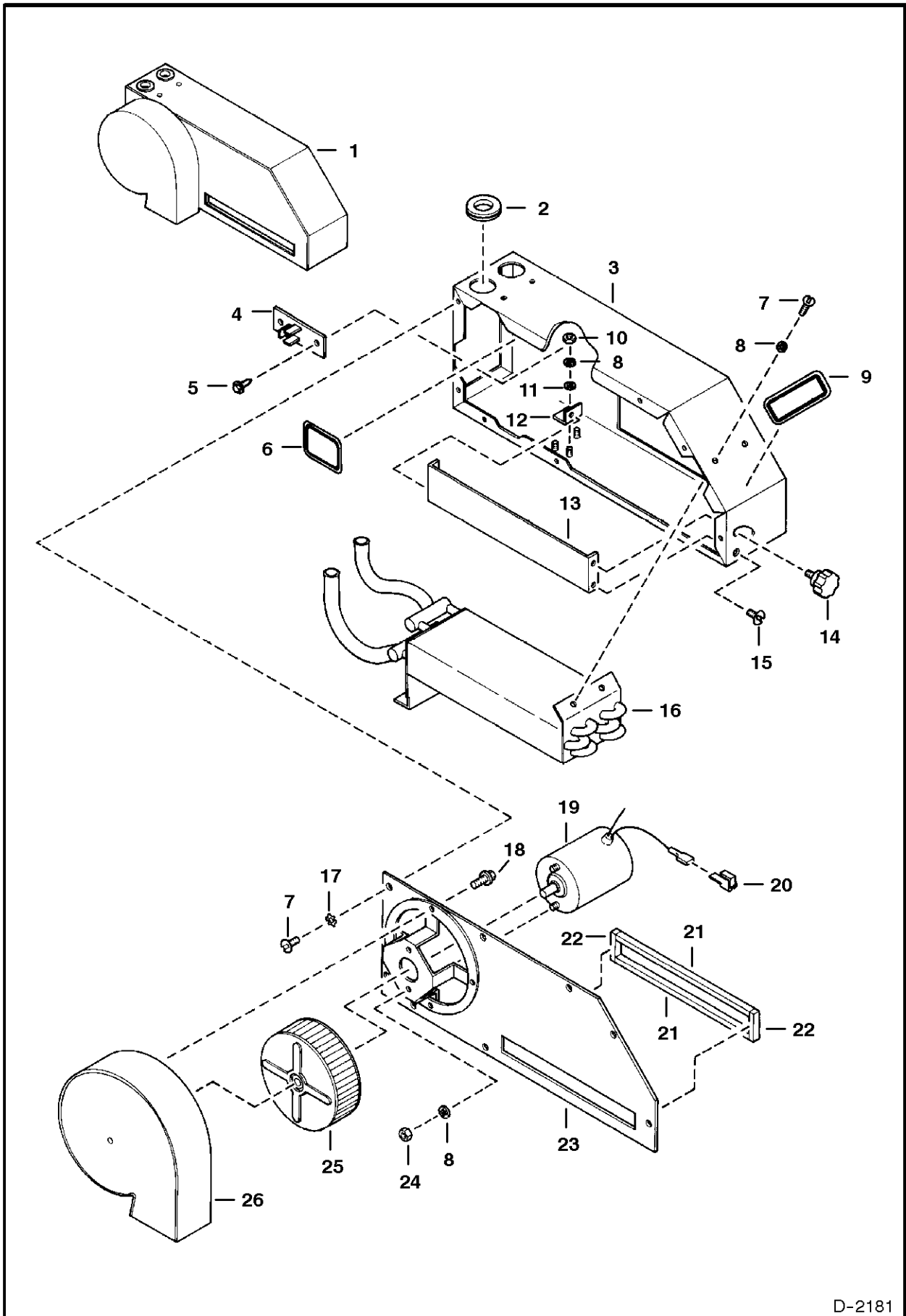


E-2396

HAND CONTROL KIT

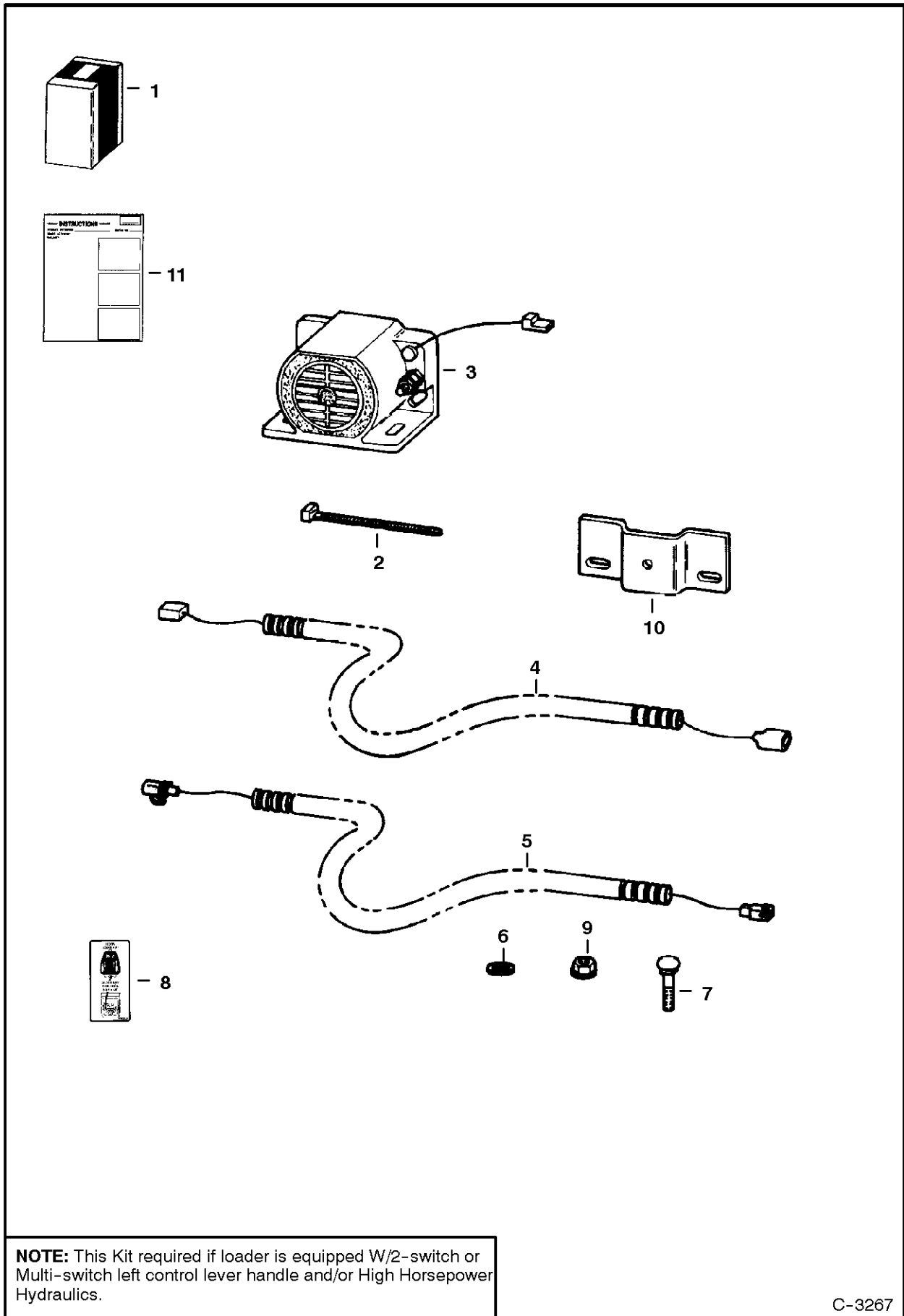
Ref.N°	Part N°	Description	Remarks	Serial N°	Qty.
1	NAP	KIT	Ref. HAND CONTROL KIT(2)-HAND CONTROL KIT(5) - MultiAswitch handles - Order components - Was 6708345 [A]		1
2	6707349	LEVER	Was 6702786 [A]		2
3	6707367	GRIP	Was 6702621 [A]		2
4	6702990	BUSHING	bronze sleeve		4
5	6707351	LEVER	Was 6702787 [A]		1
6	6707352	LEVER	Was 6702791 [A]		1
7	NAP	LEVER ASSY.	L.H. MultiAswitch - W/Ref. HAND CONTROL KIT(2)-HAND CONTROL KIT(5), HAND CONTROL KIT(33) & HAND CONTROL KIT(44)-HAND CONTROL KIT		1
8	6631036	BALL JOINT			2
9	8D-4	NUT			4
10	86D-4	NUT			2
11	6666379	CABLE	Was 6658613 [A]		2
12	4F-4051	PIN			2
13	6513495	COTTER PIN			2
14	2J-4200	CLEVIS			2
15	6592766	U-BOLT			2
16	83D-5	NUT			6
17	NAP	LEVER ASSY.	R.H. MultiAswitch - W/Ref. HAND CONTROL KIT(2)-HAND CONTROL KIT(4), HAND CONTROL KIT(6), HAND CONTROL KIT(33), & HAND CONTROL KI		1
18	6706420	MOUNT	cable		1
19	6706421	MOUNT	cable		1
20	85D-6	NUT			2
21	6702776	BRACKET			2
22	57D-6	NUT			6
23	37C-620	BOLT	carriage		6
24	6706281	BELLCRANK	W/Ref. HAND CONTROL KIT(26)		2
25	58K-14	O-RING			4
26	6702782	BUSHING	bronze - Not in Kit		2
27	6655781	BEARING	thrust		2
28	38C-816	BOLT	shoulder		2
29	6563914	WASHER			2
30	38C-610	BOLT	Was 6704285 [A]		2
31	85D-4	NUT			4
32	6702774	LINK	tilt		1
33	38C-606	BOLT	shoulder		4
34	6658682	BEARING	swivel		2
35	17C-410	BOLT			4
36	6702773	LINK	lift		1
37	6658930	BOOT			2
38	25G-612	BOLT	socket hex head		2
39	6703724	DECAL	operating		1
40	6703726	DECAL	warning		1
41	6708159	HANDBOOK KIT	W/wire rope - Was 6703678 [A]		1
41	6558309	WIRE ROPE	33' (838,2 mm) long - Bulk - Sold Per Foot - Also Order (2) of 6558310		x
41	6558310	SLEEVE	wire rope		2
42	6724033	MANUAL	operator - Was 6900369 [B,D]		1
43	6703725	DECAL	warning		1

HEATER (Fresh Air)



D-2181

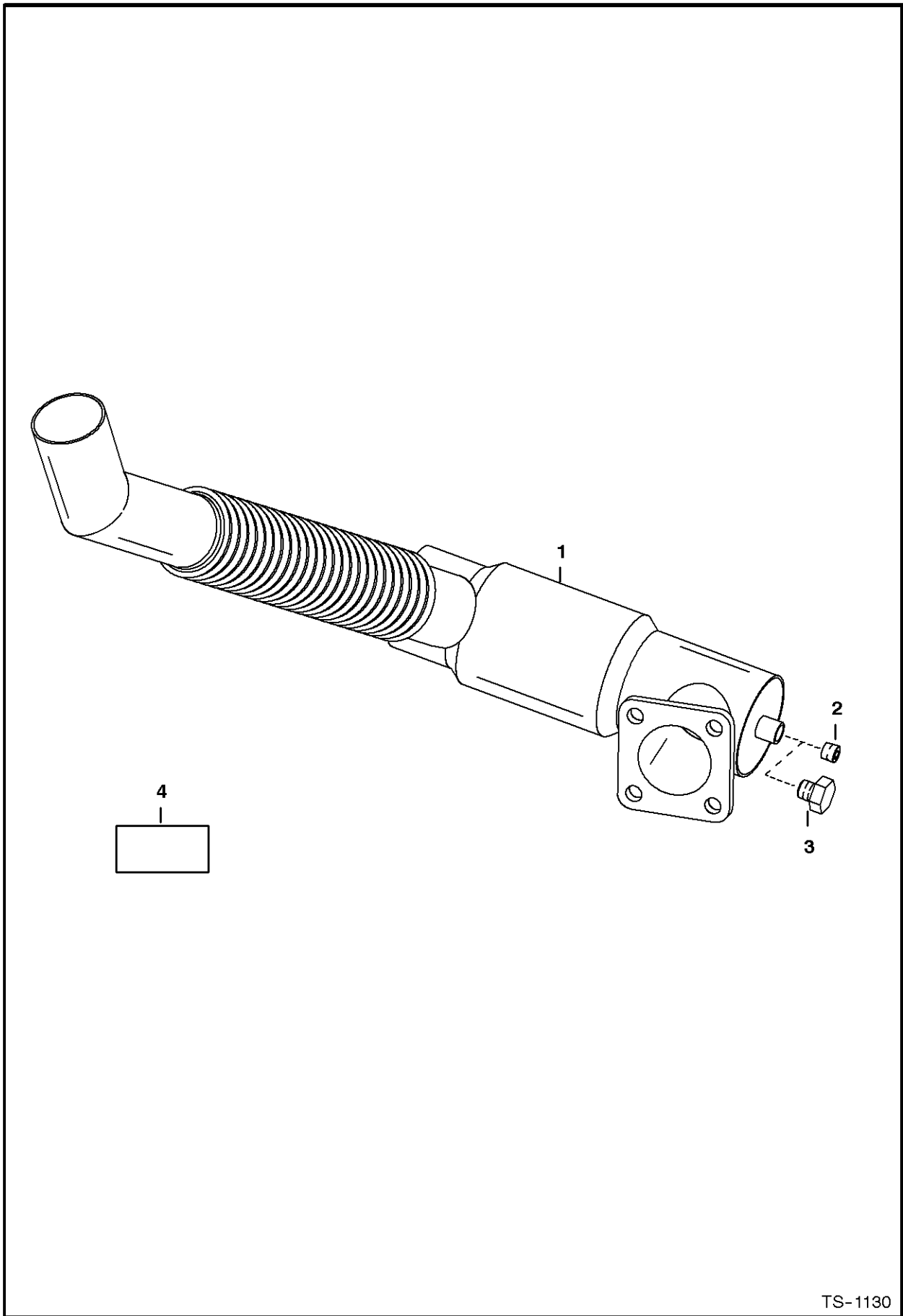
HORN KIT



NOTE: This Kit required if loader is equipped W/2-switch or Multi-switch left control lever handle and/or High Horsepower Hydraulics.

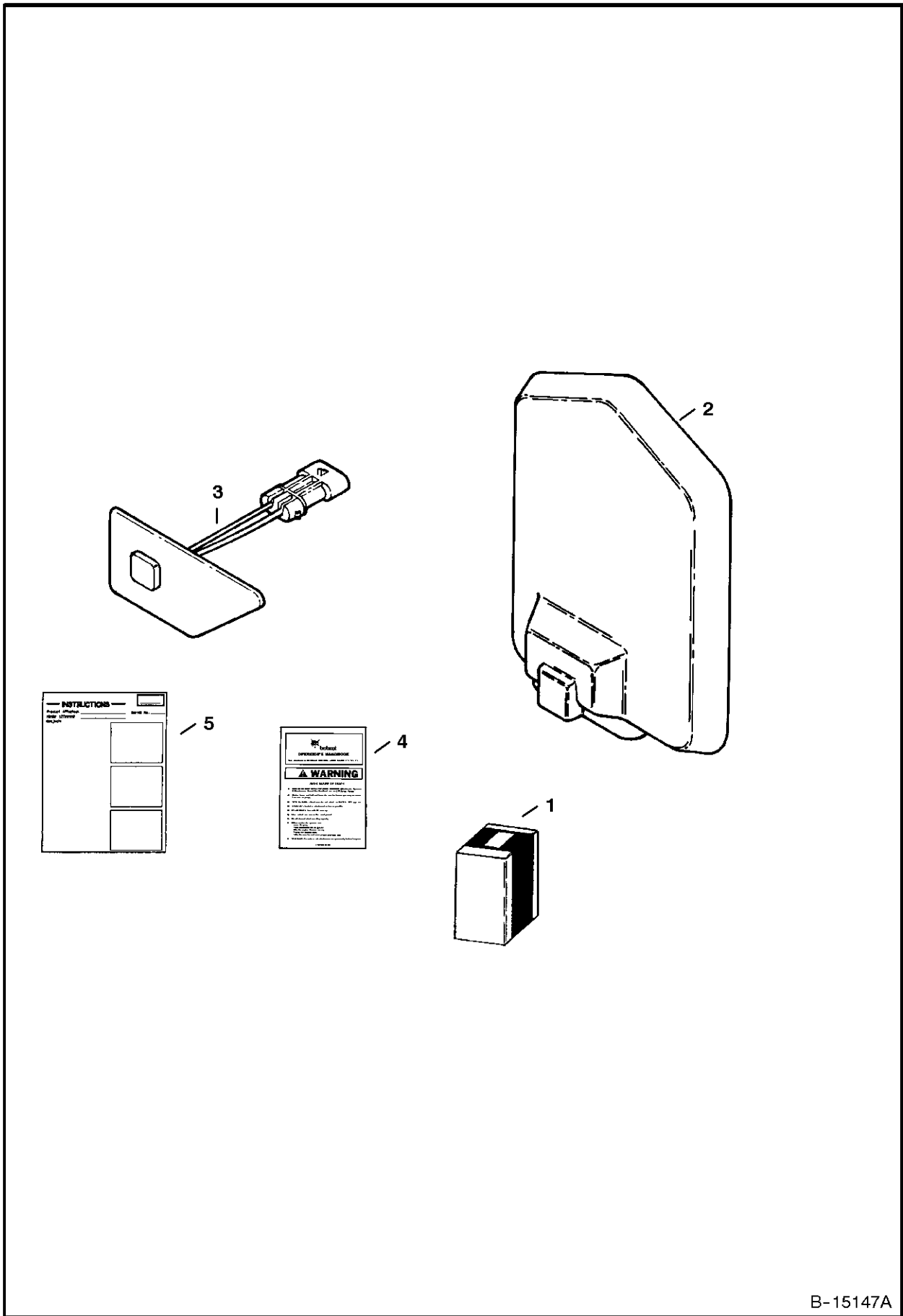
C-3267

MUFFLER/PURIFIER KIT



TS-1130

PUSH TO OPERATE KIT (Foot Pedals)



B-15147A

REAR AUXILIARY

Ref.N°	Part N°	Description	Remarks	Serial N°	Qty.
1	6705373	KIT	Ref. REAR AUXILIARY(2) - REAR AUXILIARY(37) - Was SALES [D]		1
2	NAP	QUICK COUPLER	male - Was 6657937 [A]		2
2	6648969	QUICK COUPLER	male		2
3	1513549	CAP			2
4	NAP	QUICK COUPLER	female		2
4	6648967	QUICK COUPLER	female		2
4	6655795	SEAL KIT			2
5	1519324	PLUG			2
6	6706220	TEE	W/Ref. REAR AUXILIARY(7)		4
7	79K-6	O-RING			x
8	51E-404	ADAPTER			4
9	61E-4	NUT			4
10	63E-4	PLUG			2
11	6706089	HOSE			2
12	21K-5	TEE	W/Ref. REAR AUXILIARY(7)		2
13	6705358	TUBE			1
14	6705357	TUBE			1
15	6500989	CLAMP			1
16	84G-3716	BOLT			1
17	6662695	VALVE	Not in Kit - See Page HIGH FLOW HYDRAULICS(1)		1
18		HOSE	existing hose - See Page HIGH FLOW HYDRAULICS(1) Ref. HIGH FLOW HYDRAULICS(58)		1
19	6722411	INSTRUCTIONS			1

REAR WIPER KIT

Ref.N°	Part N°	Description	Remarks	Serial N°	Qty.
1	6712688	KIT	rear wiper - Ref. REAR WIPER KIT(2) - REAR WIPER KIT(23) & REAR WIPER KIT(25) - REAR WIPER KIT(29)		1
2	6665688	BLADE			1
3	6665687	ARM	Was 1744552 [A,D]		1
4	NAP	HARNESS	W/2 pin connector - Order 6712260 Harness, Ref. REAR WIPER KIT(26) & REAR WIPER KIT(27) - Was 6708285 [A]		1
4	6712260	HARNESS	W/10 pin connector-W/(2) diodes		1
5	6708280	MOUNT	switch		1
6	6668817	SWITCH	rocker - Was 6665706 [A]		1
7	6660988	RETAINER	retaining		2
8	35C-412	BOLT			2
9	6708286	MOUNT	nozzle		1
10	6664555	NOZZLE	Was 6666767 [A]		1
11	17C-514	BOLT	Was 35C-514 [A]		1
12	25E-15	WASHER			2
13	83D-5	NUT			1
14	84G-3710	BOLT			2
15	6708044	MOUNT	tank		1
16	NAP	HOSE	84'(2133.6mm) long - Order Ref. REAR WIPER KIT(17)		1
17	6708310	HOSE	bulk - Sold Per Foot - clear - 0.15'(3.81mm) I.D.		x
18	6664554	PUMP			1
19	6708035	TANK			1
20	6665605	CAP			1
21	6610510	NYLON TIE			5
22	6708069	BUSHING			1
23	6708272	STOP	cab		2
24	6666766	GROMMET	Not in Kit		1
25	6665602	MOTOR			1
26	6641179	CONNECTOR	2-pin		1
27	6641180	LOCK	2-pin		1
28	6669308	RETAINER			2
29	6724788	INSTRUCTIONS			1

SEAT BAR KIT

Ref.N°	Part N°	Description	Remarks	Serial N°	Qty.
1	6713853	KIT			1
2	NAP	SEAT BAR	6.88'(174,8 mm) center of top hole to weld on tab - SEE NOTE- Order 6713609 Seat Bar & (2) ea. of Ref. SEAT BAR KIT(3), SEAT BAR		1
2	6716777	SEAT BAR	6.13'(155,7 mm) center of top hole to weld on tab - SEE NOTE - Was 6713609 [A]		1
3	6710659	BUSHING	Used W/NAP 6710661 Seat Bar		2
4	6710660	MOUNT			2
5	6713887	BOLT	Was 6711897 [A]		2
6	4F-6106	PIN	clevis		2
7	35C-608	BOLT			2
8	6706962	BUSHING			1
9	17C-712	BOLT			2
10	91D-7	NUT			2
11	6701535	SPRING			2
12	6664882	BUSHING			2
13	25E-17	WASHER			2
14	6631418	PIN	Used W/6713609 Seat Bar		2
15	6713589	CLEVIS	2.09'(53,1 mm) long - Used W/6713609 Seat Bar		2
16	17C-612	BOLT			2
17	6571991	WASHER			2
18	8D-6	NUT	jam		2
19	1306637	PIN	cotter		2
20	2J-6208	CLEVIS	2.85'(72,4 mm) long - Used W/NAP 6710661 Seat Bar		2
21	6900096	INSTRUCTIONS			1

SEAT SENSOR OVERRIDE

Ref.N°	Part N°	Description	Remarks	Serial N°	Qty.
1	NAP	KIT	Ref. SEAT SENSOR OVERRIDE(2) - SEAT SENSOR OVERRIDE(5) - Order 6717702inD1} Kit - See Page PUSH TO OPERATE KIT(1) - Was 6716460		1
2	NAP	CONTROLLER	Was 6673002 [A]		1
3	NAP	SWITCH	Was 6673005 [A]		1
4	6708021	HANDBOOK	Operator		1
5	NAP	INSTRUCTIONS	Was 6900589 [A]		1

STROBE LIGHT

Ref.N°	Part N°	Description	Remarks	Serial N°	Qty.
1	6587526	KIT	Strobe light - Ref. STROBE LIGHT(2)-STROBE LIGHT (9) & STROBE LIGHT(11)		1
2	6665021	LENS	Amber		1
2	6665025	LENS	Blue - Not in kit		1
3	NSS	SCREW			3
4	NSS	SCREW			1
5	6665022	FLASH TUBE			1
6	NSS	POWER SUPPLY			1
7	NSS	BASE			1
8	6665023	GASKET			1
9	NSS	RETAINER			1
10	6665024	BRANCH GUARD	Not in Kit		1
11	6720856	INSTRUCTIONS			1

TOOL BOX

Ref.N°	Part N°	Description	Remarks	Serial N°	Qty.
1	6705108	KIT	Ref. TOOL BOX(2)-TOOL BOX(5)		1
2	9G-636	BOLT			2
3	6700743	SPRING			1
4	6709379	TOOL HOLDER	Was 6705100 [A]		1
5	6722300	INSTRUCTIONS			1

NUMERICAL INDEX (Cont'd)

Part No.	Description	Was	Code	Page
6577401	BUMPER			28
6577445	BUSHING			34
6577459	DIPSTICK			148
6577545	GROMMET			284, 286
6577585	BAND			148
6577669	HOSE			52, 56, 58, 62
6577671	HOSE			52, 56, 58, 62
6577690	TUBE			88, 92, 96, 104, 112, 136, 140, 144, 148
6577754	DECAL			20, 326
6577801	LIGHT ASSY			196, 389, 392
6577812	COVER			279
6577813	BAR			83
6577821	HOSE			38, 400
6577822	HOSE			38, 230
6577880	KIT			279
6577947	SAFETY TREAD			322
6577949	SAFETY TREAD			322
6577954	PIN			32
6577961	GROMMET			39
6578139	LEVER			289
6578140	LEVER			289
6578150	LOCK			18
6578169	HOSE			38
6578172	HOSE			36
6578173	HOSE			406
6578174	HOSE			406
6578183	TEE			52, 56, 66
6578185	HOSE			406
6578268	BELLCRANK			248
6578278	PAD			36
6578279	HOSE			228
6578280	HOSE			228
6578284	SHIM			250
6578327	HOSE			150
6578356	BUSHING			32
6578357	BULB			196
6578363	ROD END			200, 208
6578366	BALL JOINT			200, 208
6578368	DECAL			326
6578398	RETAINER			306
6578505	COVER			12, 46
6578528	HARNESS			194, 389, 392
6578689	HUB			49
6578780	CROSSMEMBER			190
6578802	KIT			419
6578804	HOSE			60, 64, 68
6578812	ADAPTER			148
6578824	HOUSING			194, 389, 392
6579072	SPRING	6700743	B	334
6579104	SHIM			34

Code for disposition of old part number
A — Use up
B — Use on other application (See PNI)

C — File PDR Report with Bobcat Parts Sales
D — Part Number Error

NUMERICAL INDEX (Cont'd)

Part No.	Description	Was	Code	Page
6655165	GASKET			252, 262
6655166	COVER			262
6655167	GASKET			252
6655168	CASE			262
6655169	CASE			262
6655170	CASE			262
6655171	MANIFOLD			267
6655173	VALVE			258
6655174	VALVE			258
6655175	COVER			257
6655176	PUSH ROD			264
6655177	PISTON			262
6655179	PIN			262
6655180	CIR-CLIP			262
6655181	ROD			262
6655183	BEARING			262
6655184	CRANKSHAFT			262
6655185	BEARING			262
6655186	BEARING			262
6655187	GEAR ASSY			264
6655190	COLLAR			264
6655191	COLLAR			264
6655192	CIR-CLIP			264
6655193	SHAFT			264
6655194	OIL FILTER			260
6655195	BOLT			256
6655197	PIPE ASSY			271
6655198	PIPE			273
6655199	PUMP			272
6655201	ELEMENT			272
6655202	VALVE			272
6655203	SPRING			272
6655204	HOLDER			272
6655205	PLATE ASSY			272
6655206	BOLT			272
6655207	PLATE			272
6655209	PLATE			272
6655210	SHIM			271
6655211	CAMSHAFT			263
6655212	GEAR			263
6655213	SLEEVE			263
6655214	CASE			263
6655215	BALL			263
6655216	FUEL PUMP			36, 271
6655218	GASKET			252, 273, 274
6655219	PIPE			273
6655220	PIPE			273
6655221	PIPE			273
6655222	PIPE			273
6655223	NUT			270
6655224	LEVER	6655876	A	269

Code for disposition of old part number
A — Use up
B — Use on other application (See PNI)

C — File PDR Report with Bobcat Parts Sales
D — Part Number Error

NUMERICAL INDEX (Cont'd)

Part No.	Description	Was	Code	Page
6666918	BOSS			210
6666932	BRAKE			338, 340
6666933	CYLINDER			338, 339
6667127	PLUG			66, 118, 119
6667132	O-RING			118
6667139	CAP			338
6667176	PLUG	6647779	B	D, 122
6667183	HEATER			376
6667189	HOSE			230
6667324	SEAL	6665184	A	81
6667326	SEAL			76, 80
6667326	SEAL	6538141	A	74
6667352	ELEMENT			1
6667352	ELEMENT	6647773	A	36
6667353	FILTER ASSY	6657020	A	36
6667382	PUMP	6662693	A	128, 132
6667425	PLUG	6652591	A	253
6667428	TAPPET	3974540	A	264
6667460	IMPELLER			265
6667465	SEAL			265
6667480	CHAMBER	6655157	A	259
6667549	VALVE			94, 102, 110
6667549	VALVE	6661345	B	86, 90, 134, 138, 142
6667565	BLOWER			376
6667566	HOUSING			376
6667567	COVER			376
6667569	CONNECTOR	6664039	A	328
6667573	DECAL			393
6667587	STARTER			224, 226
6667676	COVER			122
6667677	O-RING			122
6667680	SNAP RING			122
6667687	VALVE			117
6667803	QUICK COUPLER			408
6667804	QUICK COUPLER			408
6667808	QUICK COUPLER			70, 358, 360
6667828	BOSS	6661214	A	208
6667844	VALVE			68, 120
6667887	BULB			346
6667889	TIRE			447
6667903	SWITCH	6700603	A	188, 194
6667904	SWITCH			188, 194
6667905	SWITCH	6706995	A	188, 196
6667934	BULB			392
6667934	BULB	6650111	A	194, 389
6667992	SOLENOID	6662882	A	46
6667993	SOLENOID	6662993	A	200, 208
6667996	PUMP			272
6668007	SCREW			346
6668010	LENS			346
6668079	PLUG			160

Code for disposition of old part number
A — Use up
B — Use on other application (See PNI)

C — File PDR Report with Bobcat Parts Sales
D — Part Number Error

NUMERICAL INDEX (Cont'd)

Part No.	Description	Was	Code	Page
6704148	BRACKET			388
6704149	BRACKET			388
6704151	BRACKET			388
6704153	KIT			388
6704154	BRACKET			388
6704155	TUBE			152
6704158	TEE			152
6704159	HOSE			152
6704163	MOUNT			284
6704164	ELBOW			152
6704167	TIRE & RIM			450
6704168	TIRE & RIM			450
6704240	PIVOT ASSY			34
6704242	WEDGE ASSY			34
6704248	PIVOT			34
6704287	BUSHING			32
6704288	PIN			32
6704322	MOUNT			236
6704332	WASHER			28
6704335	HOSE			52, 56, 58, 62
6704336	HOSE			52, 56, 58, 62
6704341	MOUNT			152
6704358	HARNES			284, 286
6704362	HOUSING			28, 208, 389
6704391	PULLEY			244
6704393	BEARING			244
6704403	STOP			32
6704408	HARNES			381, 382
6704409	TUBE			72, 356
6704410	TUBE			72, 356
6704416	PULLEY			240
6704424	PULLEY			240
6704425	ROD			298
6704426	RETAINER			300
6704428	SHIELD			298
6704430	DOOR	6704431	A	298
6704435	WEAR CAM			154
6704436	PAD			32, 218
6704441	ENGINE			252
6704442	KIT			284
6704443	BUSHING			240
6704444	WASHER			240
6704450	SHIELD			240
6704453	SPRING			34
6704464	GUIDE			28
6704484	WASHER			240, 354
6704491	HOUSING	6704492	B,D	43
6704492	HOUSING			44
6704600	STOP			34
6704601	STOP			34
6704607	BELT			128

Code for disposition of old part number
A — Use up
B — Use on other application (See PNI)

C — File PDR Report with Bobcat Parts Sales
D — Part Number Error

NUMERICAL INDEX (Cont'd)

Part No.	Description	Was	Code	Page
6714210	SPRING			30
6714212	PULLEY ASSY			242
6714213	HARNESS			352
6714242	DECAL			326
6714278	WEDGE			46
6714285	SEAT BAR KIT			433
6714300	MOUNT			354
6714350	HARNESS			392
6714361	WEIGHT			12, 317, 319, 341
6714423	HOSE	6705466	A	124
6714454	BUMPER			30
6714463	MOUNT			354
6714467	MOUNT			354
6714490	WIRE			424
6714532	DECAL			322
6714532	DECAL	6714533	B,D	326
6714543	GASKET	3974461	A	252, 254
6714590	MAIN FRAME			12
6714624	SHIELD			334
6714629	DECAL			433
6714726	PLUG			218
6714810	PIN	6578457	A	32
6714858	DECAL			326
6714874	BUSHING			32
6714889	HOSE			232, 234
6714890	SHIELD			130
6714901	ELBOW	1300294	A	152
6714902	ELBOW	69E-12	A	150
6714904	TEE	6706466	A	124
6714905	ELBOW	6707409	A	150
6714919	DECAL	6561377	A	322
6714973	KIT			420
6714980	BACKUP ALARM KIT			286
6714985	LIGHT KIT			392
6714991	WIRE			424
6714999	MOUNT			330
6715094	INSULATION			348
6715094	INSULATION	6712537	A	14
6715095	INSULATION	6706982	A	14
6715095	INSULATION	6706983	A	348
6715096	INSULATION	6706903	A	348
6715097	INSULATION			348
6715097	INSULATION	6706157	A	14
6715098	INSULATION			348
6715098	INSULATION	6706156	A	14
6715099	INSULATION			348
6715106	INSULATION			348
6715142	FAN	6700334	A	228
6715143	SET SCREW	16G-506	B	230
6715157	STRIKER ASSY	6579969	A	28
6715163	BUSHING			156

Code for disposition of old part number
A — Use up
B — Use on other application (See PNI)

C — File PDR Report with Bobcat Parts Sales
D — Part Number Error

NUMERICAL INDEX (Cont'd)

Part No.	Description	Was	Code	Page
17C-6116	BOLT			228
17E-6	WASHER			284
17E-8	WASHER			194, 316
17E-10	WASHER			316
17K-3	ELBOW			408
17K-5	ELBOW			60, 64, 68, 124, 150
17K-7	ELBOW			52, 56, 60, 66, 128, 292, 294
17K-8	ELBOW			348
17KN-8	ELBOW			348
17KV-3	ELBOW			408
17KV-5	ELBOW			60, 64, 68, 150
17KV-7	ELBOW			60, 294
18C-1224	BOLT			49
18C-1632	BOLT			49
18C-1636	BOLT			49
18K-3	ELBOW			406
18K-5	ELBOW			124, 136, 140, 144, 150
18K-8	ELBOW			68, 124, 348, 406, 408
18KV-5	ELBOW			150
18KV-8	ELBOW			68, 348, 408
19F-4	ADAPTER			200
19F-5	REDUCER			424
19K-5	TEE			66
19K-7	TEE			60, 64
19KN-7	TEE			60, 64
21K-3	TEE			406
21K-5	TEE			124, 400, 406, 408, 412
21K-7	TEE			54, 66
21KN-5	TEE			396
22E-4	WASHER			86, 90, 134, 138
23F-1	ELBOW			210
23G-812	SCREW			46
24K-4	PLUG			413
24K-8	PLUG			104
24KN-8	PLUG			104
25E-8	WASHER			46
25E-10	WASHER			22, 230, 372, 376
25E-11	WASHER			346
25E-13	WASHER			46, 200, 208, 284, 286, 334, 381
25E-14	WASHER			372
25E-15	WASHER			128, 202, 208, 410, 422, 449
25E-16	WASHER			20, 298, 304, 312, 374, 437
25E-17	WASHER			338, 432, 433
25E-17	WASHER	25E-18	B	20
25E-18	WASHER			248, 295, 306, 312
25E-19	WASHER			306
25E-21	WASHER			84, 128, 236
25E-25	WASHER			338
25G-410	BOLT			351
25G-412	BOLT			192, 194, 284
25G-510	SCREW			298, 306

Code for disposition of old part number
A — Use up
B — Use on other application (See PNI)

C — File PDR Report with Bobcat Parts Sales
D — Part Number Error

CLICK HERE TO **DOWNLOAD** THE COMPLETE MANUAL

- Thank you very much for reading the preview of the manual.
- You can download the complete manual from: www.heydownloads.com by clicking the link below



- Please note: If there is no response to CLICKING the link, please download this PDF first and then click on it.

CLICK HERE TO **DOWNLOAD** THE COMPLETE MANUAL