



# **PARTS CATALOG**

## **540 articulated 4-wheel drive loader**

CLICK HERE TO **DOWNLOAD** THE COMPLETE MANUAL

- Thank you very much for reading the preview of the manual.
- You can download the complete manual from: [www.heydownloads.com](http://www.heydownloads.com) by clicking the link below

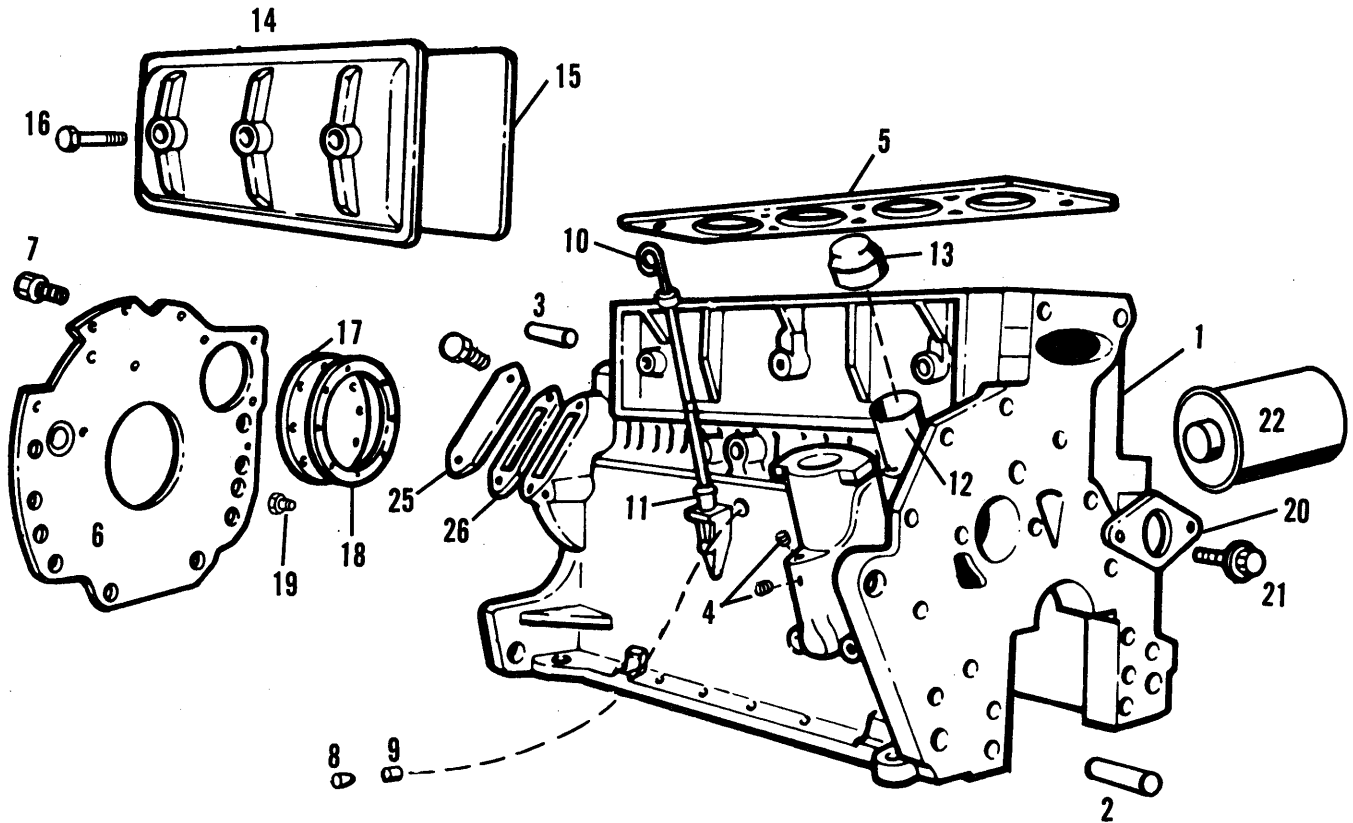


- Please note: If there is no response to CLICKING the link, please download this PDF first and then click on it.

CLICK HERE TO **DOWNLOAD** THE COMPLETE MANUAL

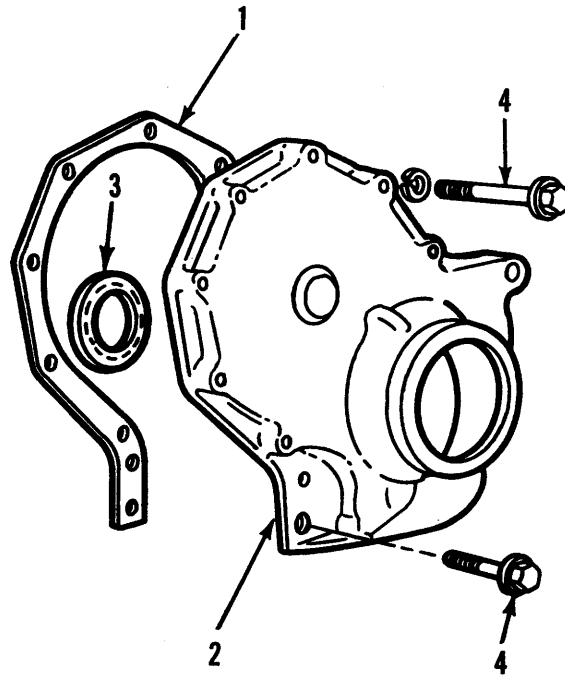
540 LOADER  
ENGINE

CYLINDER BLOCK  
540D

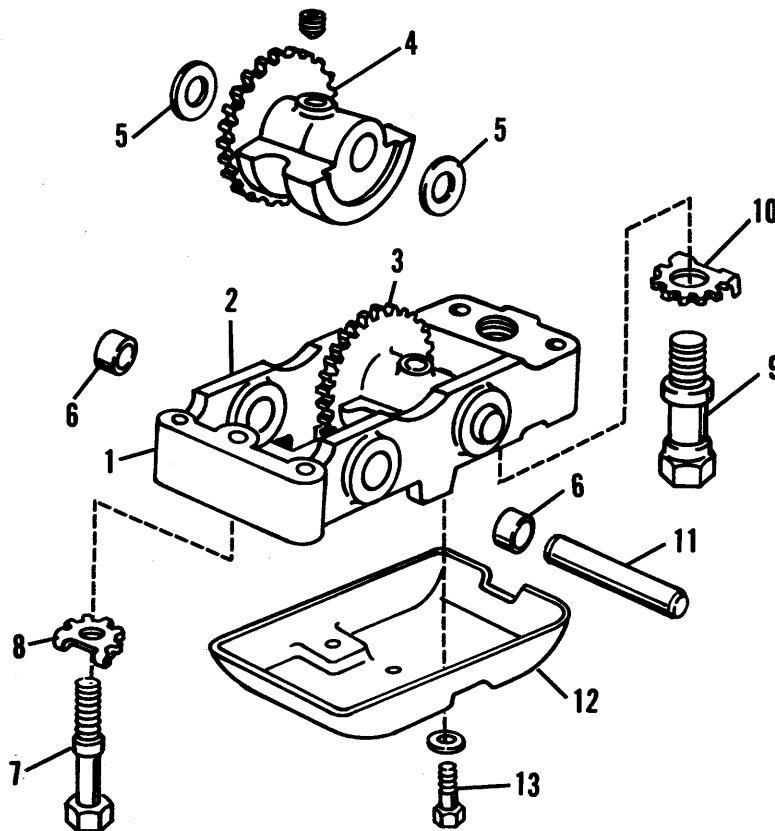


540 LOADER  
ENGINE

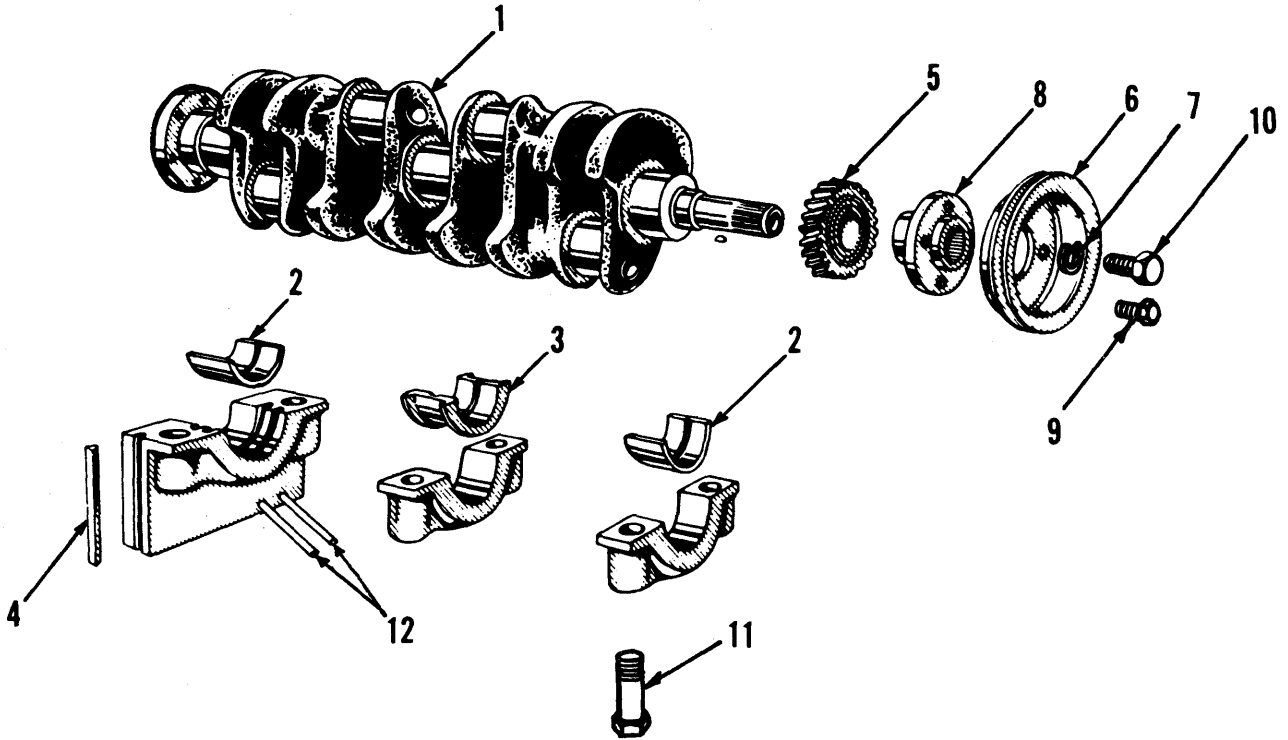
TIMING GEAR COVER  
540D



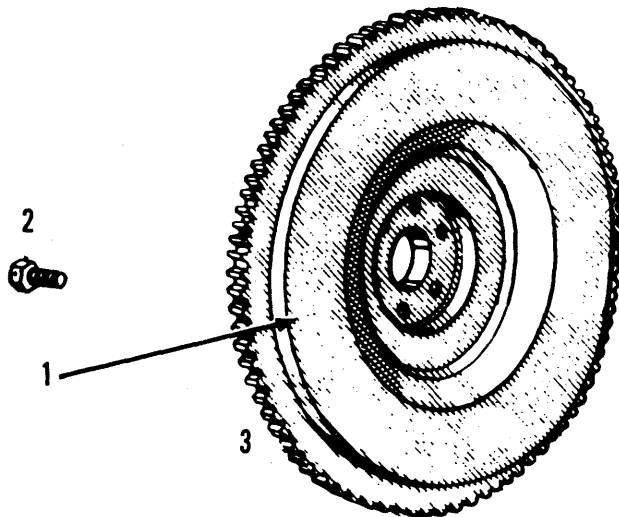
BALANCER  
540D



CRANKSHAFT  
540G

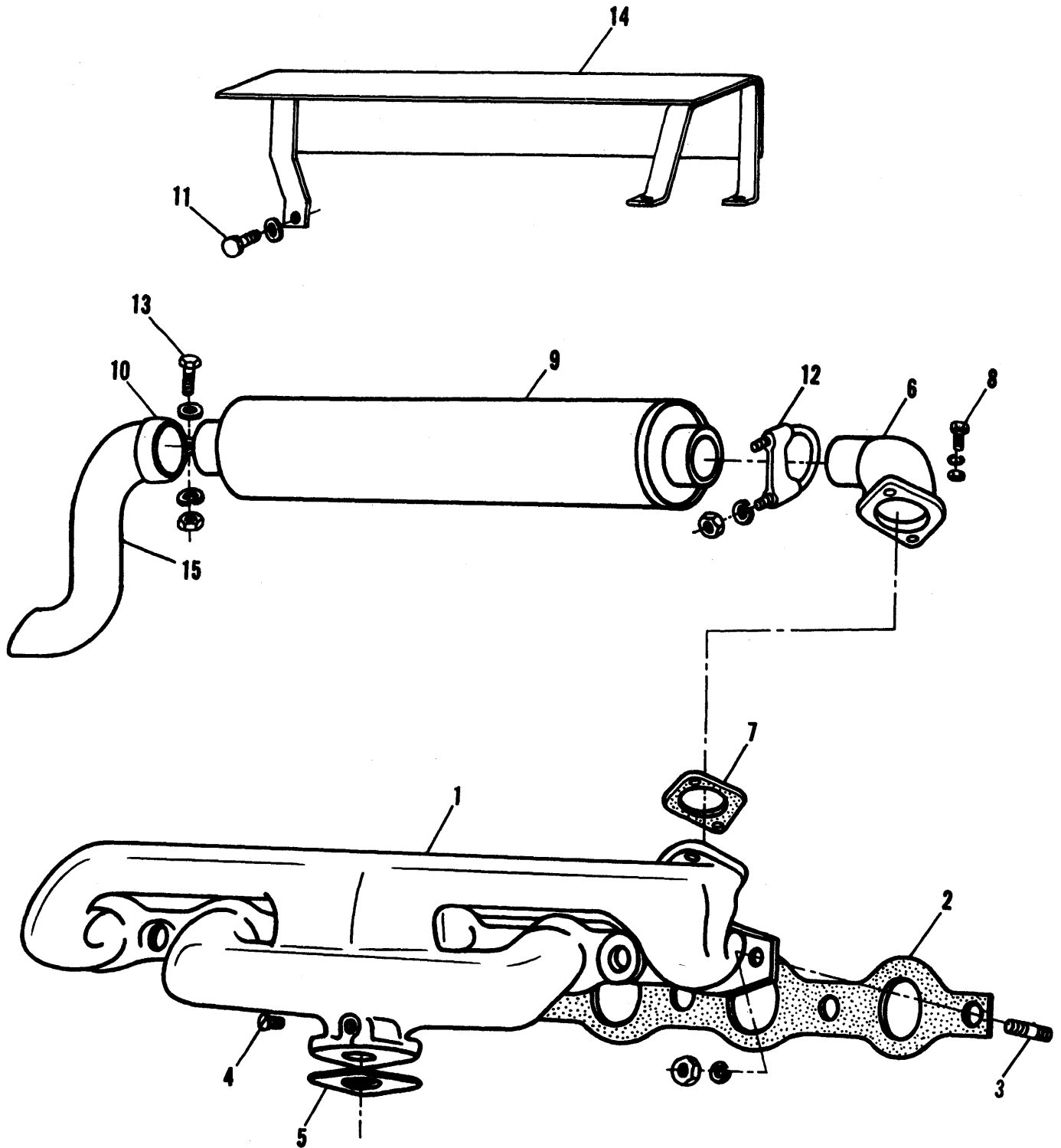


FLYWHEEL  
540G



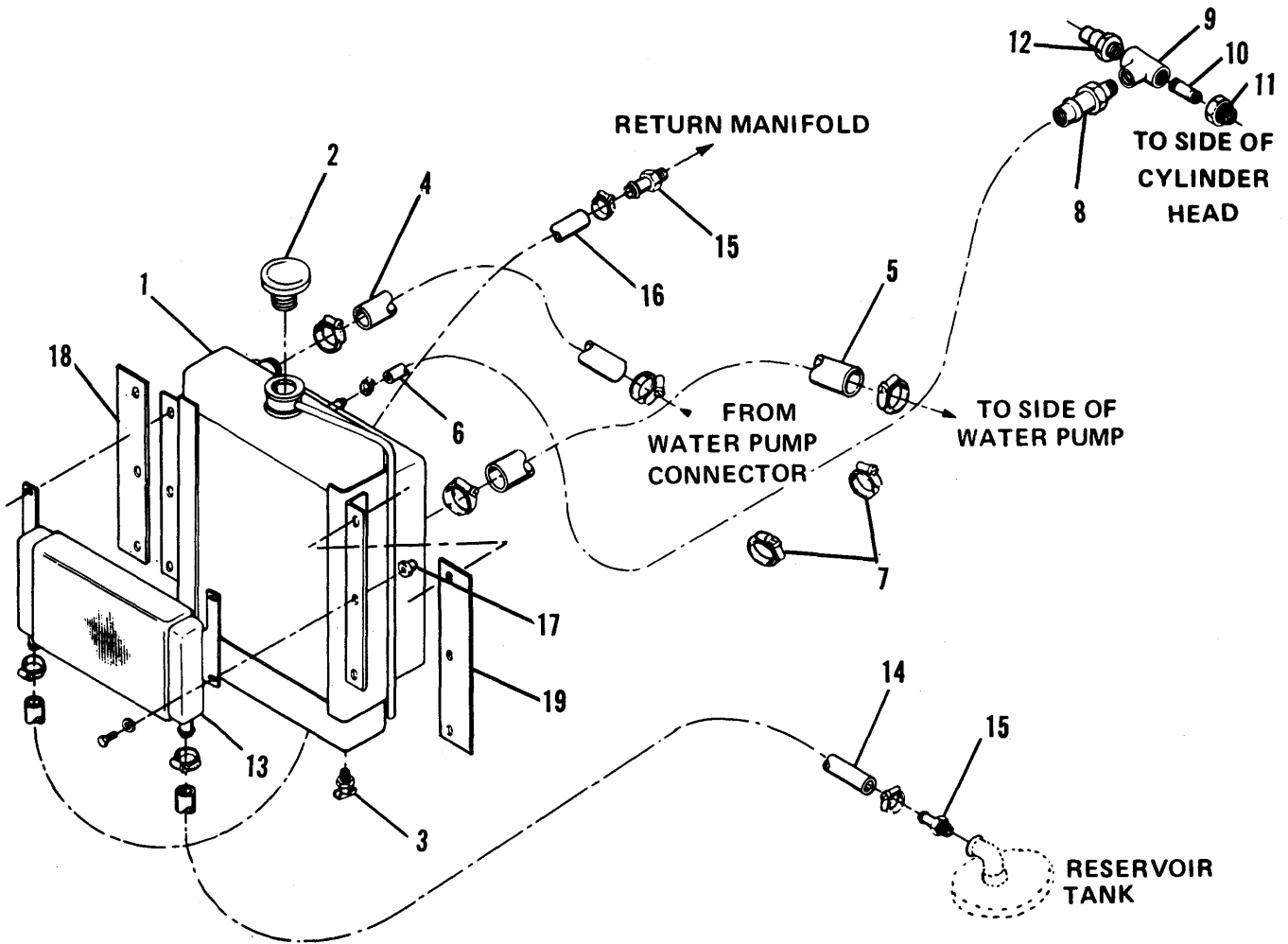
540 LOADER  
AIR INTAKE & EXHAUST SYSTEM

MANIFOLDS  
INTAKE & EXHAUST  
540G



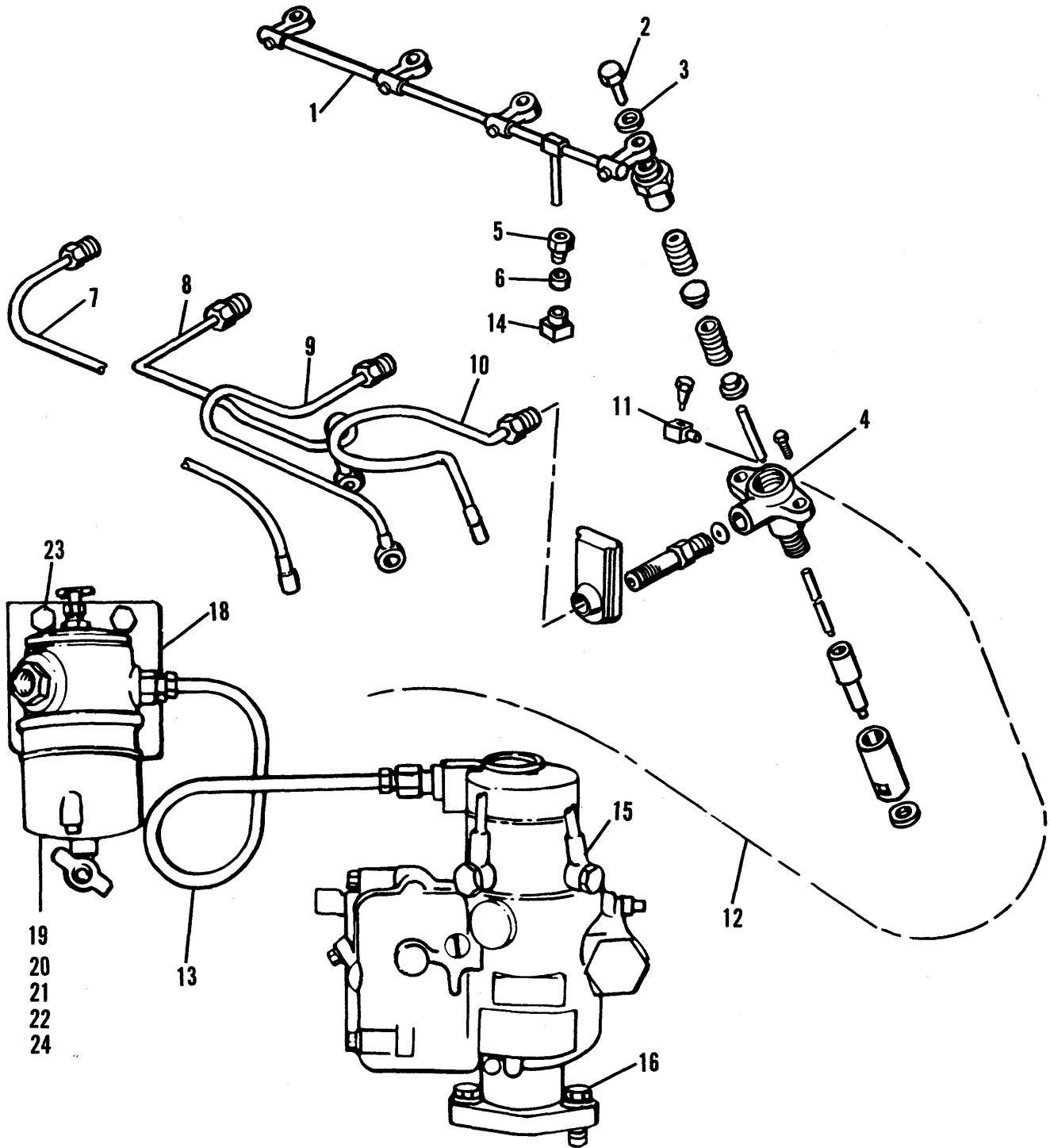
**540 LOADER  
COOLING SYSTEM**

**RADIATOR & COOLER**  
540G & 540D



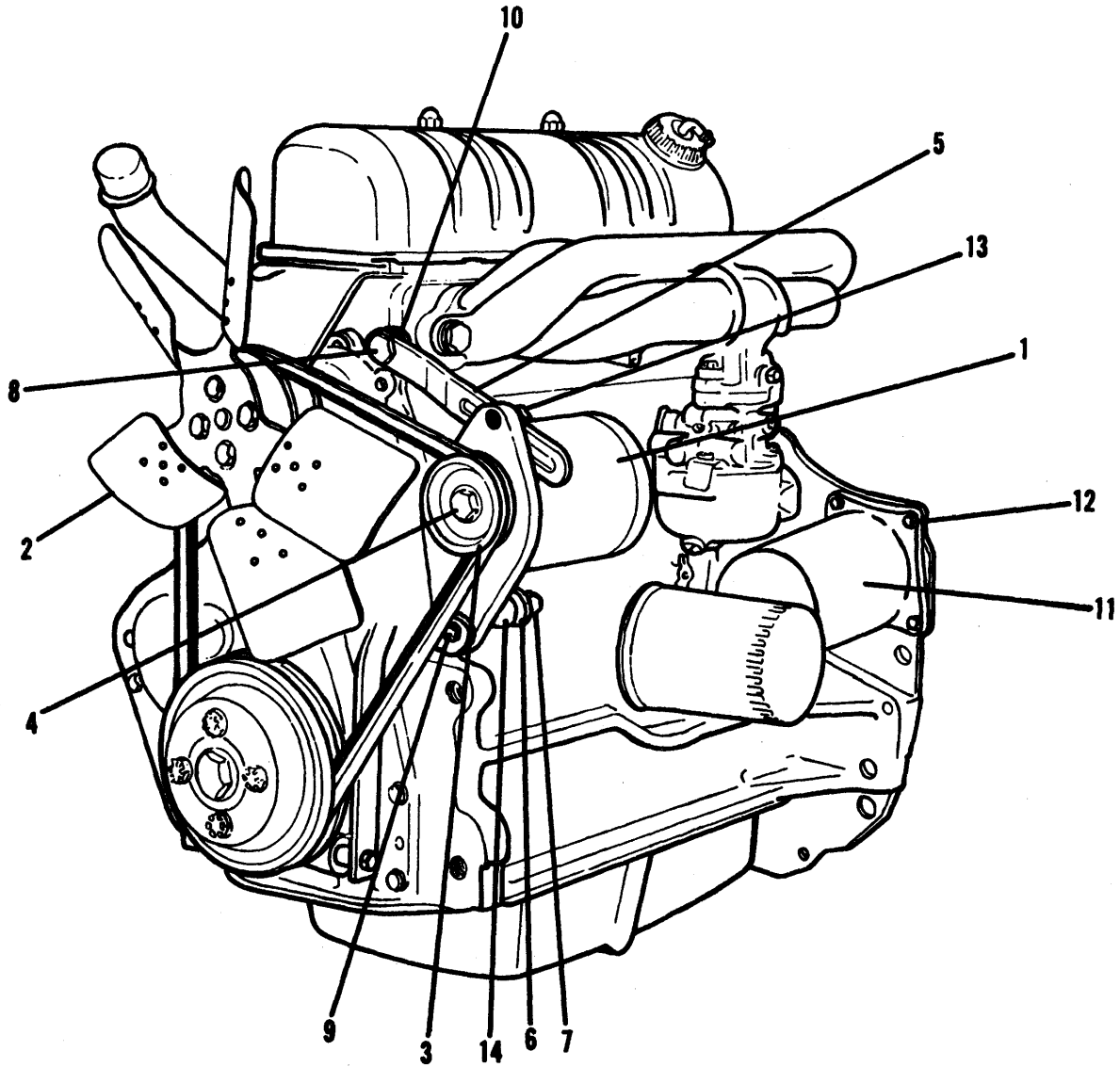
FUEL INJECTION SYSTEM

LINES  
540D

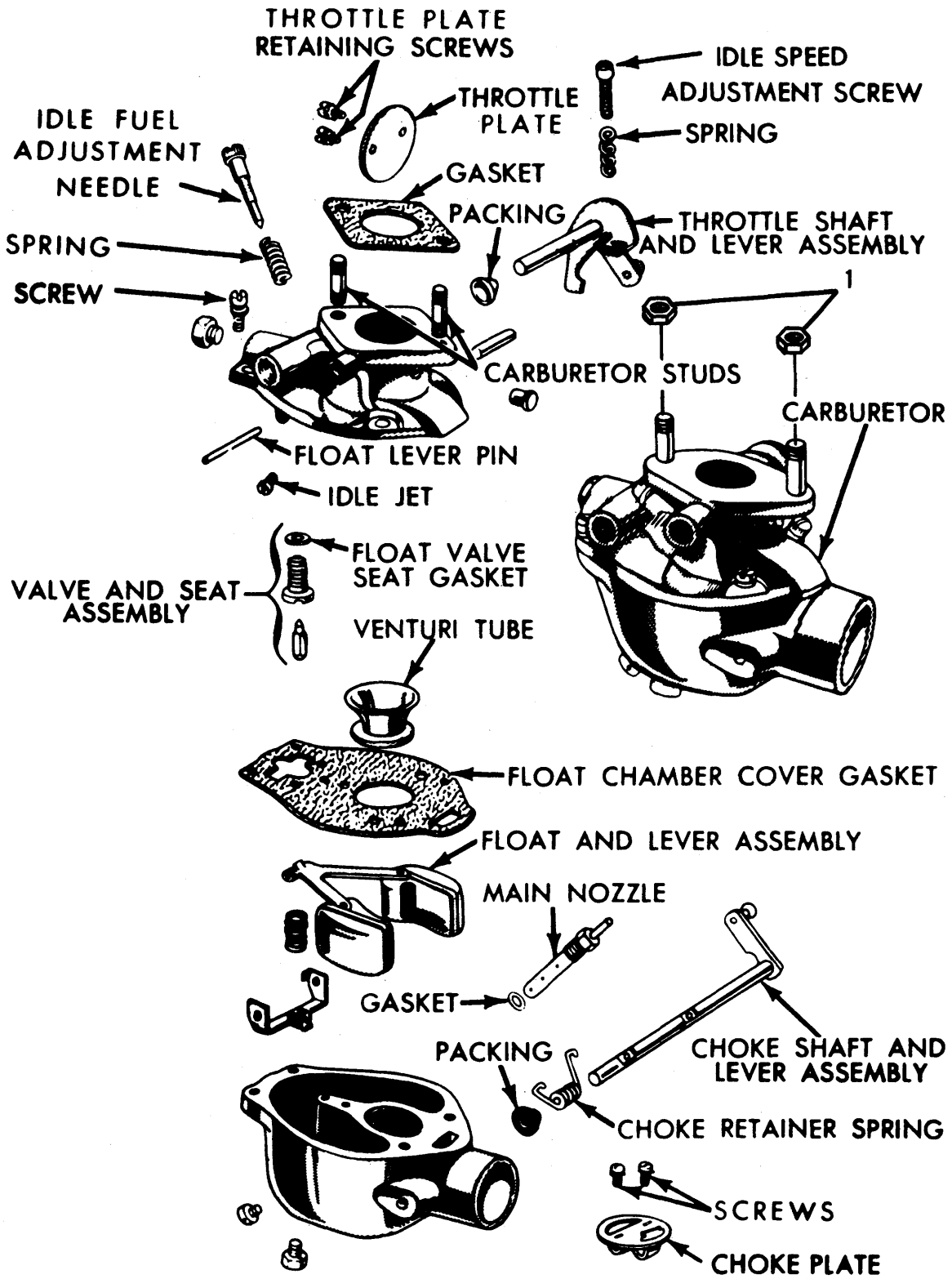


540 LOADER  
ELECTRICAL & INSTRUMENTS

ENGINE ELECTRICAL SYSTEM  
ALTERNATOR & STARTER MOUNT  
540G & 540D

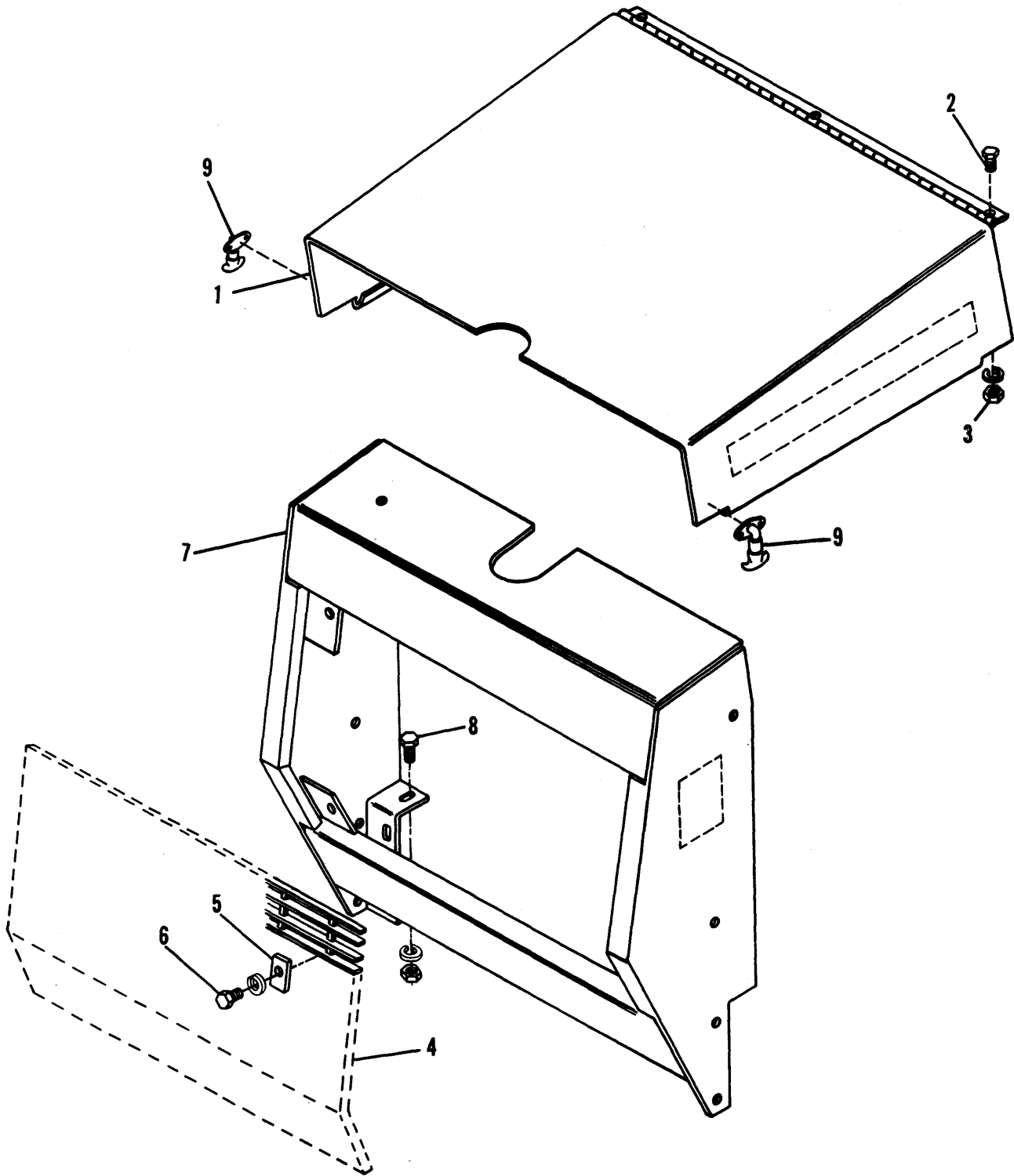


ENGINE ELECTRICAL SYSTEM  
CARBURETOR  
540G

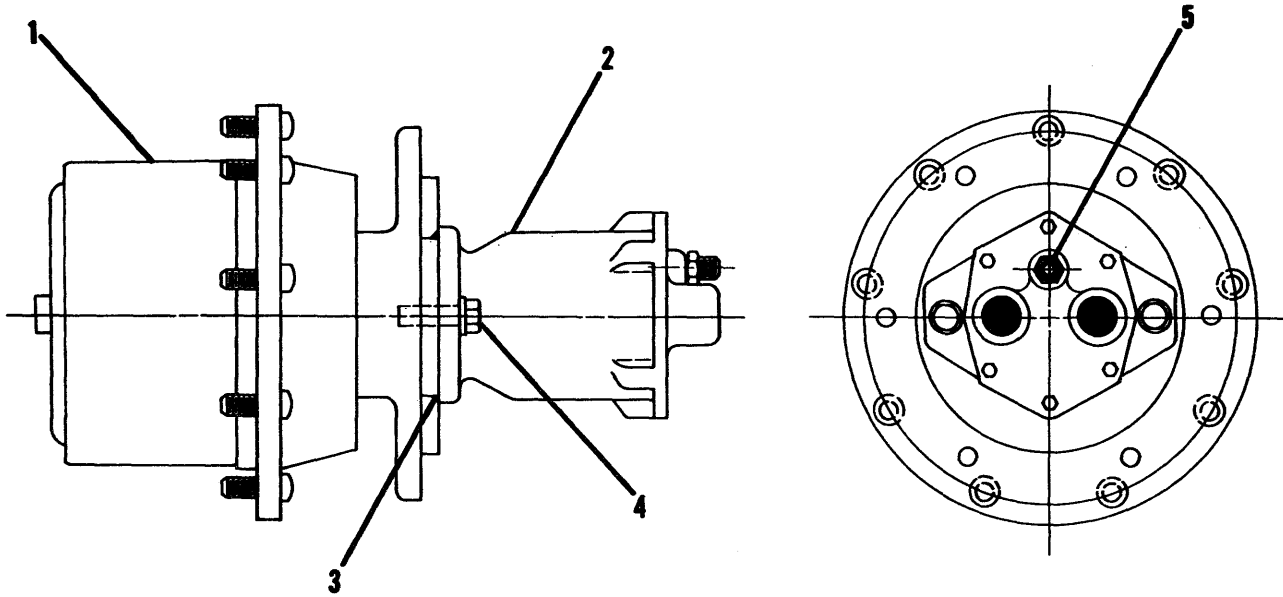


540 LOADER  
SHEET METAL, FRAME & SEAT

HOOD, GRILLE & COWL



PLANETARY WHEEL & MOTOR  
TOOL MODULE



CLICK HERE TO **DOWNLOAD** THE COMPLETE MANUAL

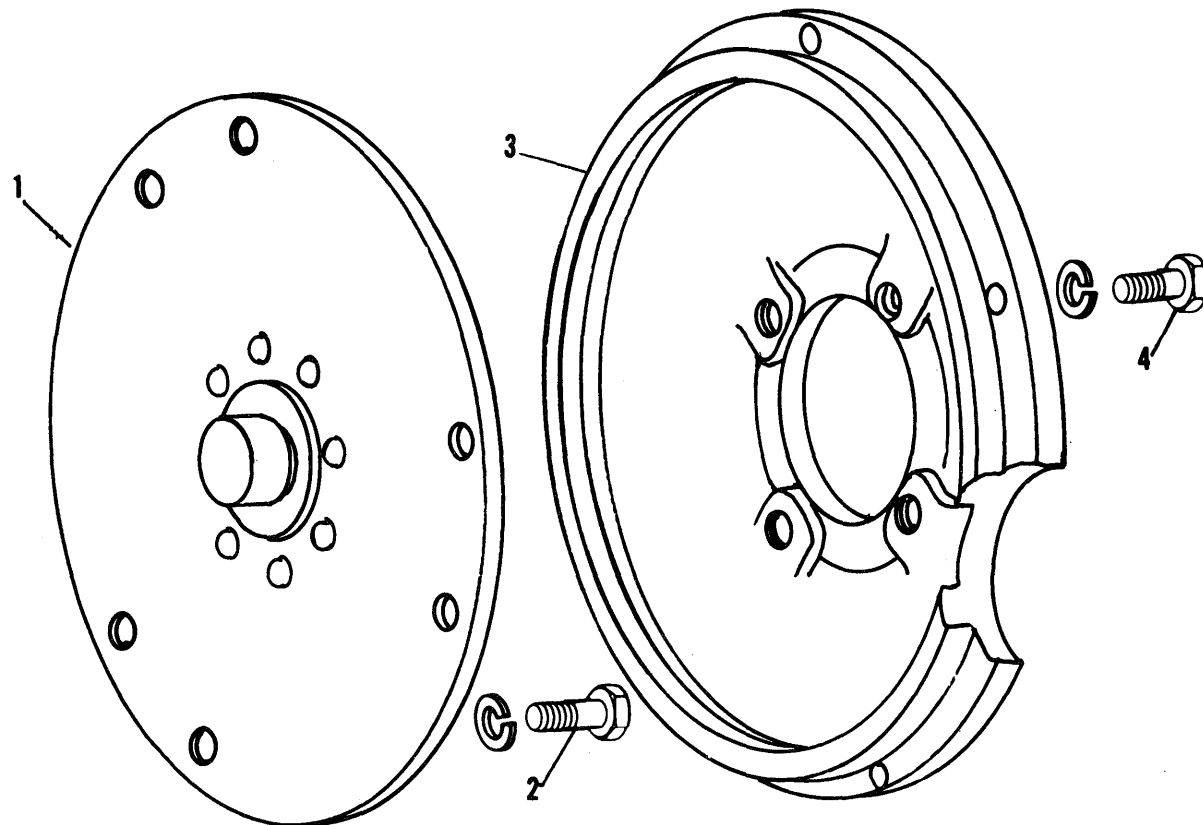
- Thank you very much for reading the preview of the manual.
- You can download the complete manual from: [www.heydownloads.com](http://www.heydownloads.com) by clicking the link below



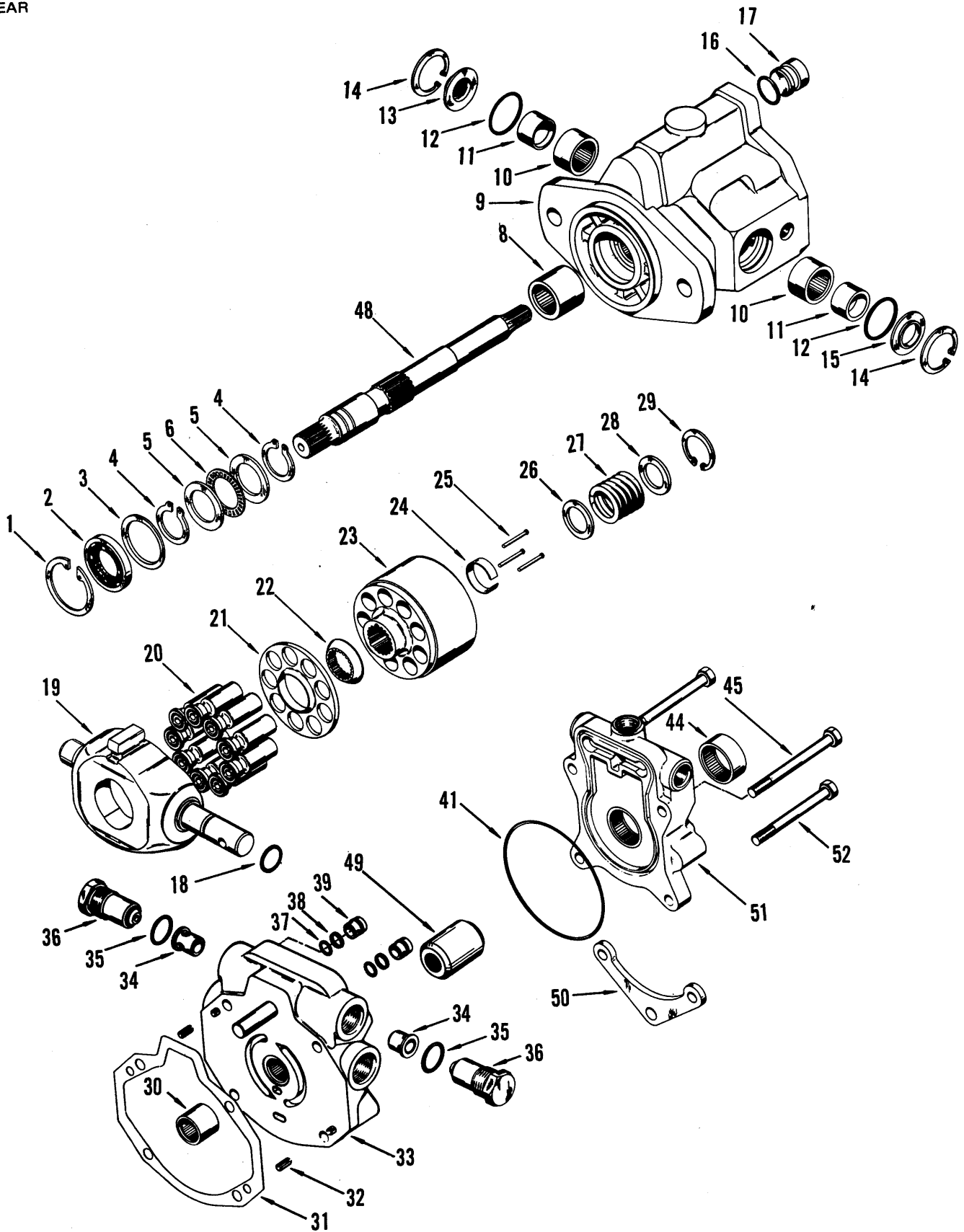
- Please note: If there is no response to CLICKING the link, please download this PDF first and then click on it.

CLICK HERE TO **DOWNLOAD** THE COMPLETE MANUAL

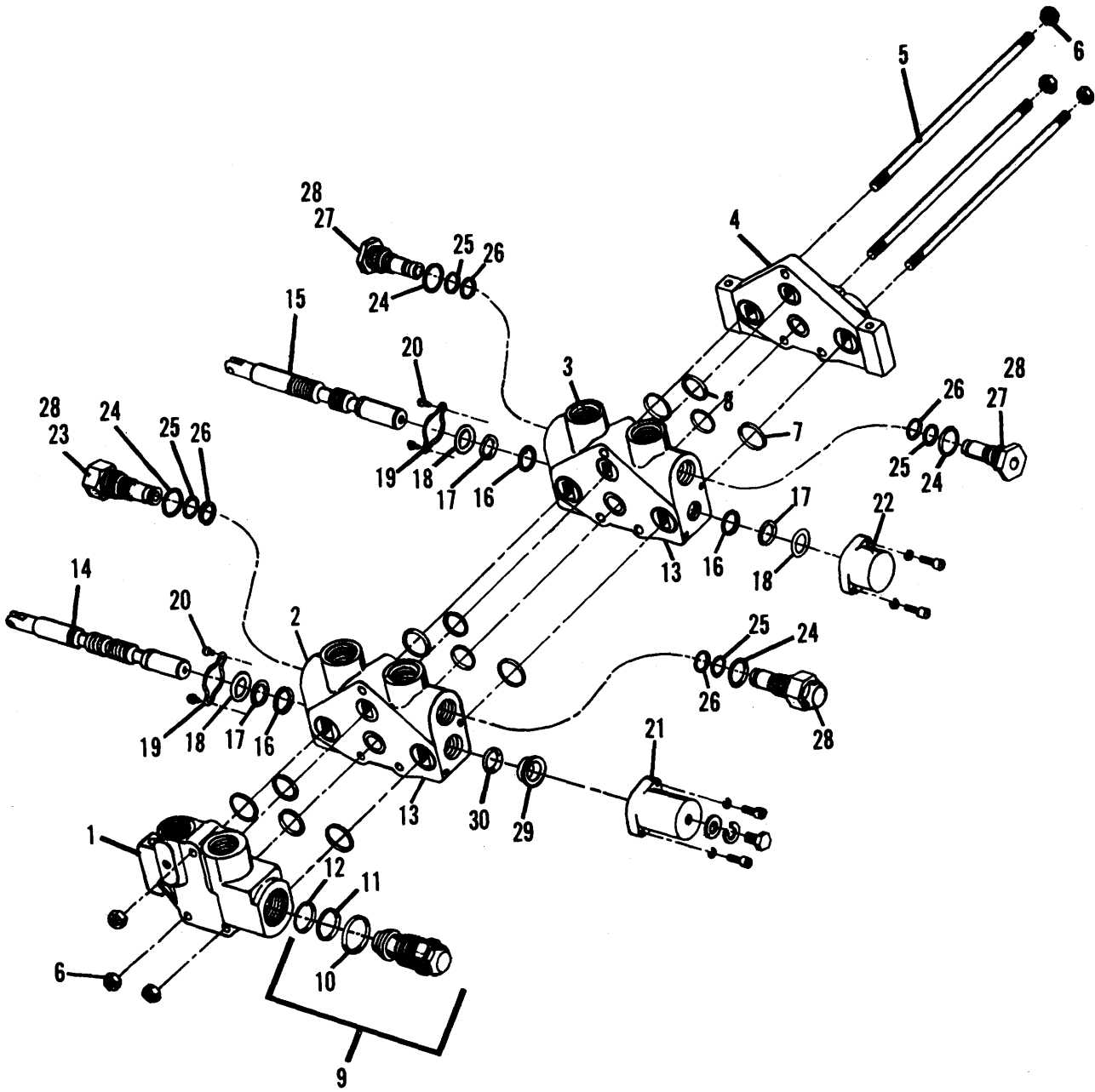
PUMP DRIVE



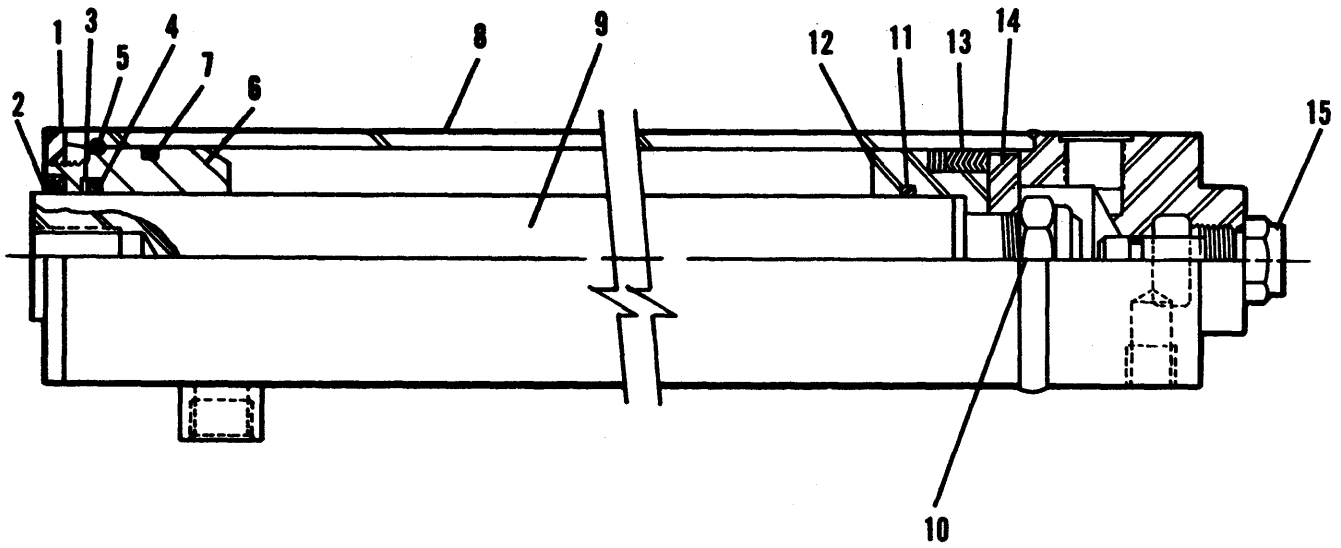
PISTON PUMP  
REAR



CONTROL VALVE  
LOADER & FORK LIFT

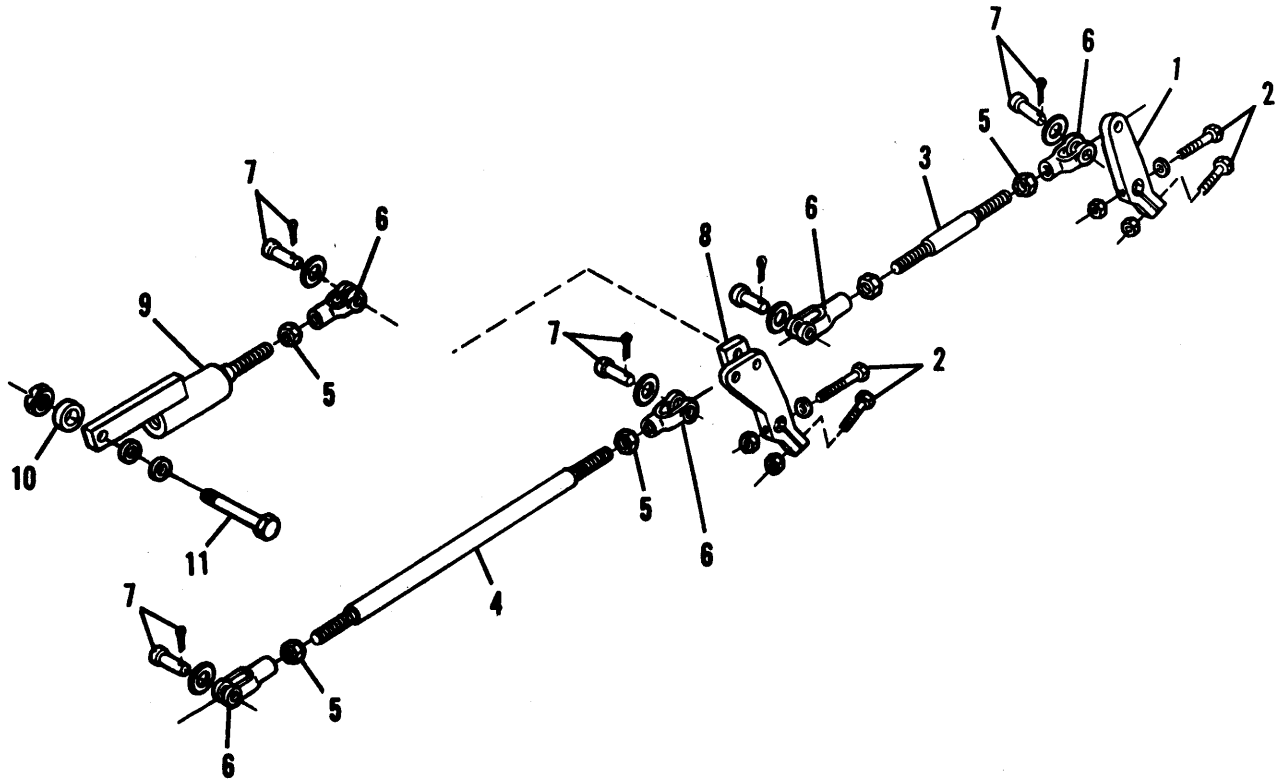


**CYLINDER ASY.**  
LIFT  
10 FT. & 14 FT.

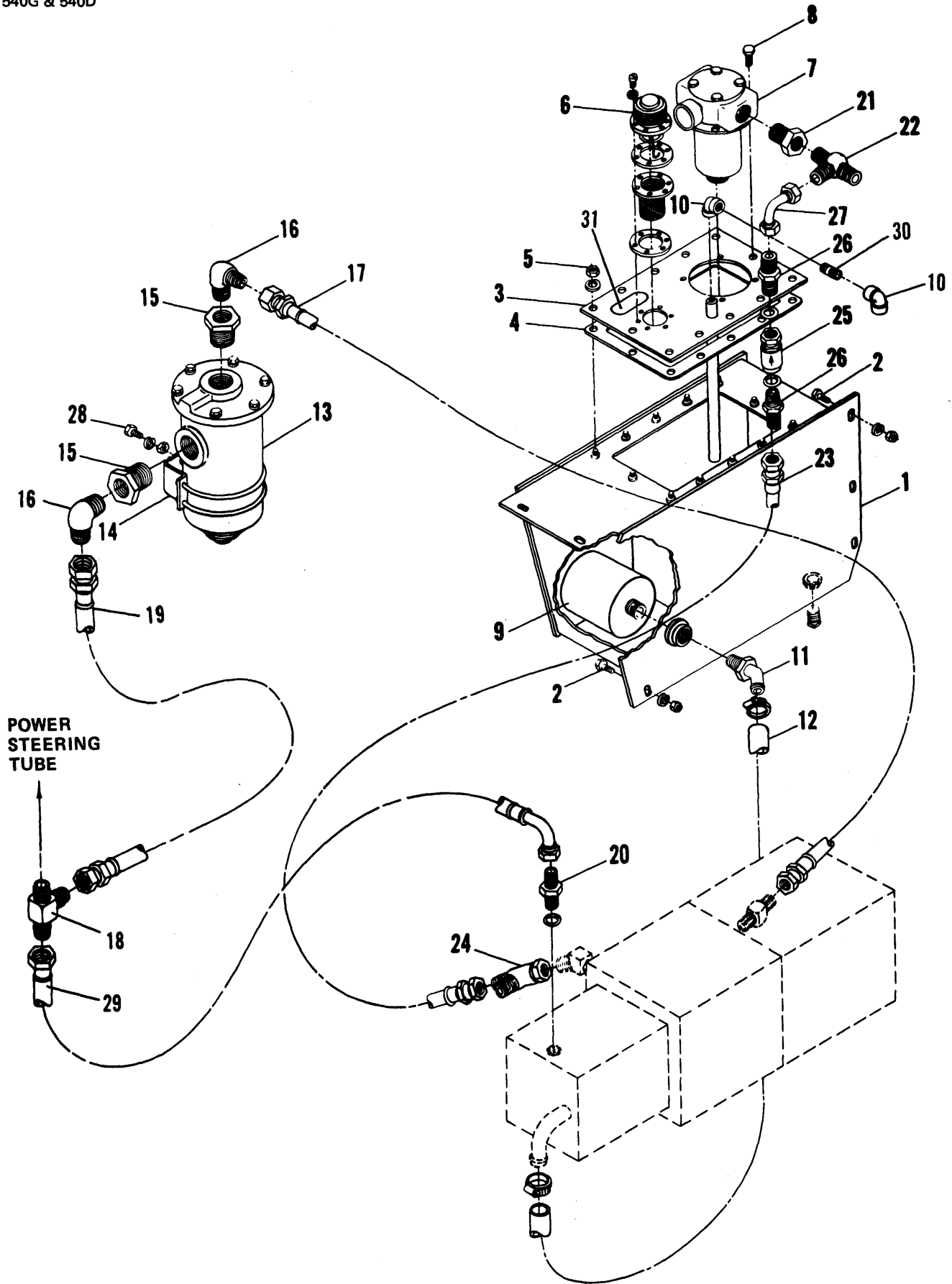




PUMP CONTROL

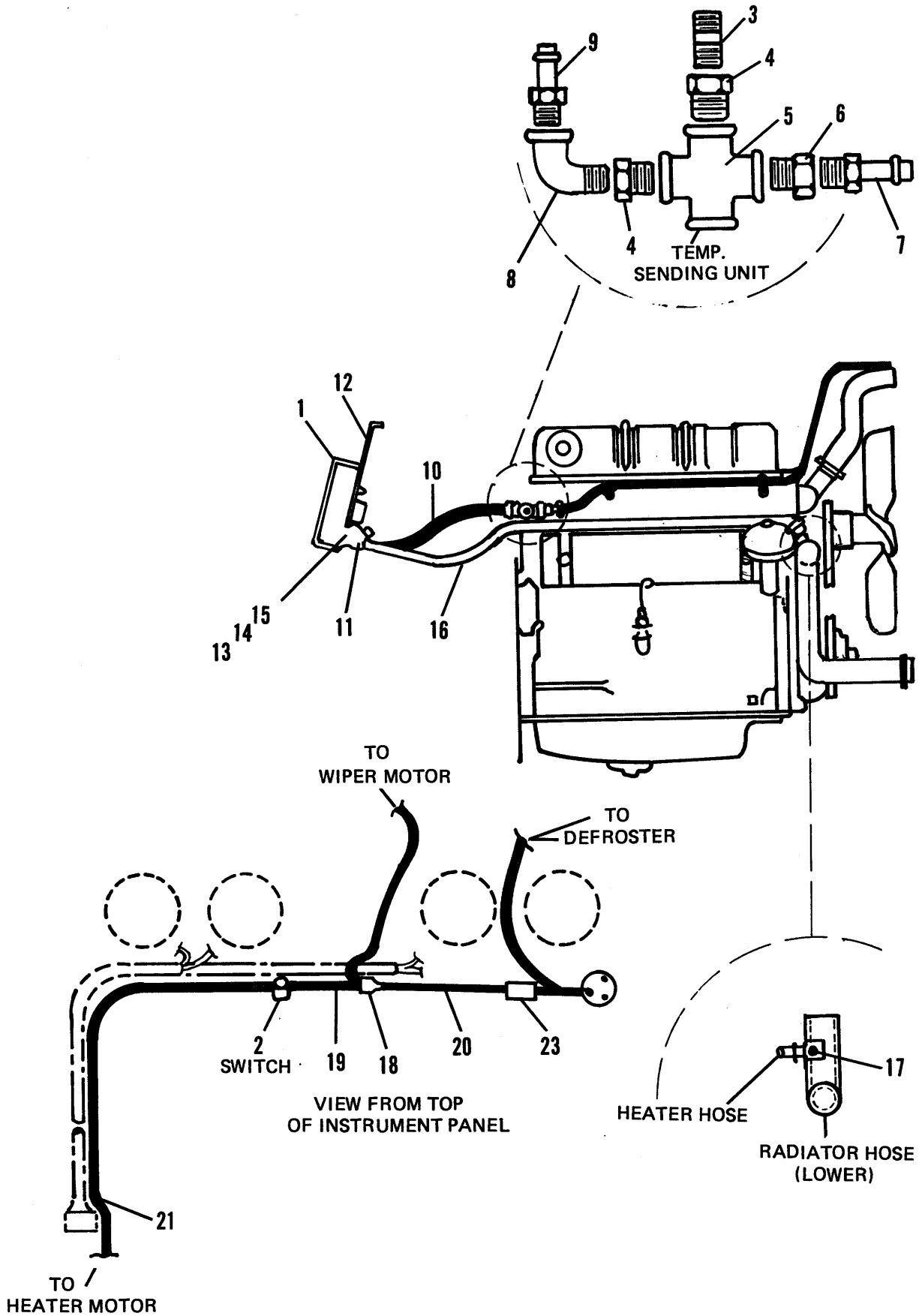


OIL RESERVOIR  
540G & 540D

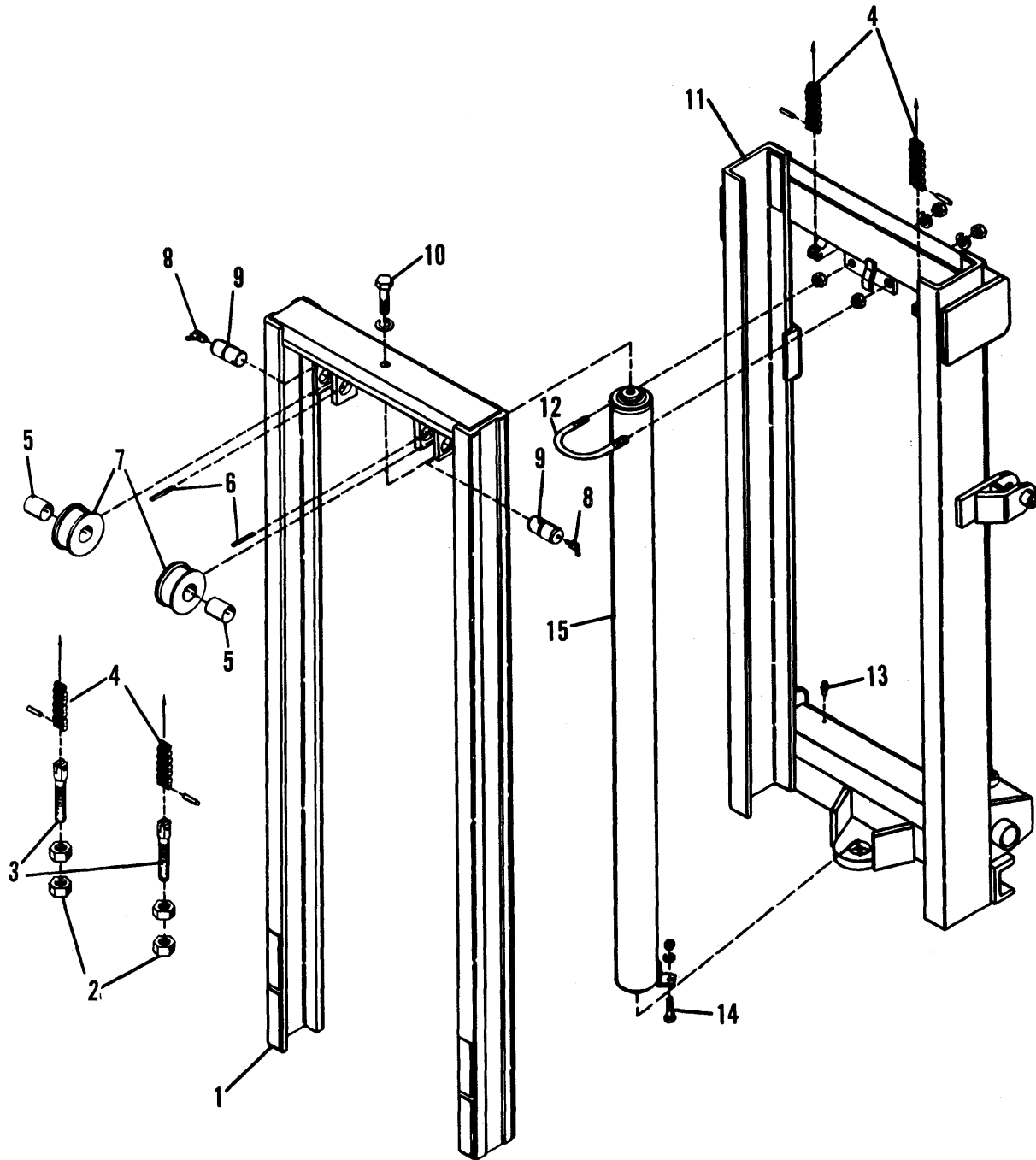


POWER  
STEERING  
TUBE

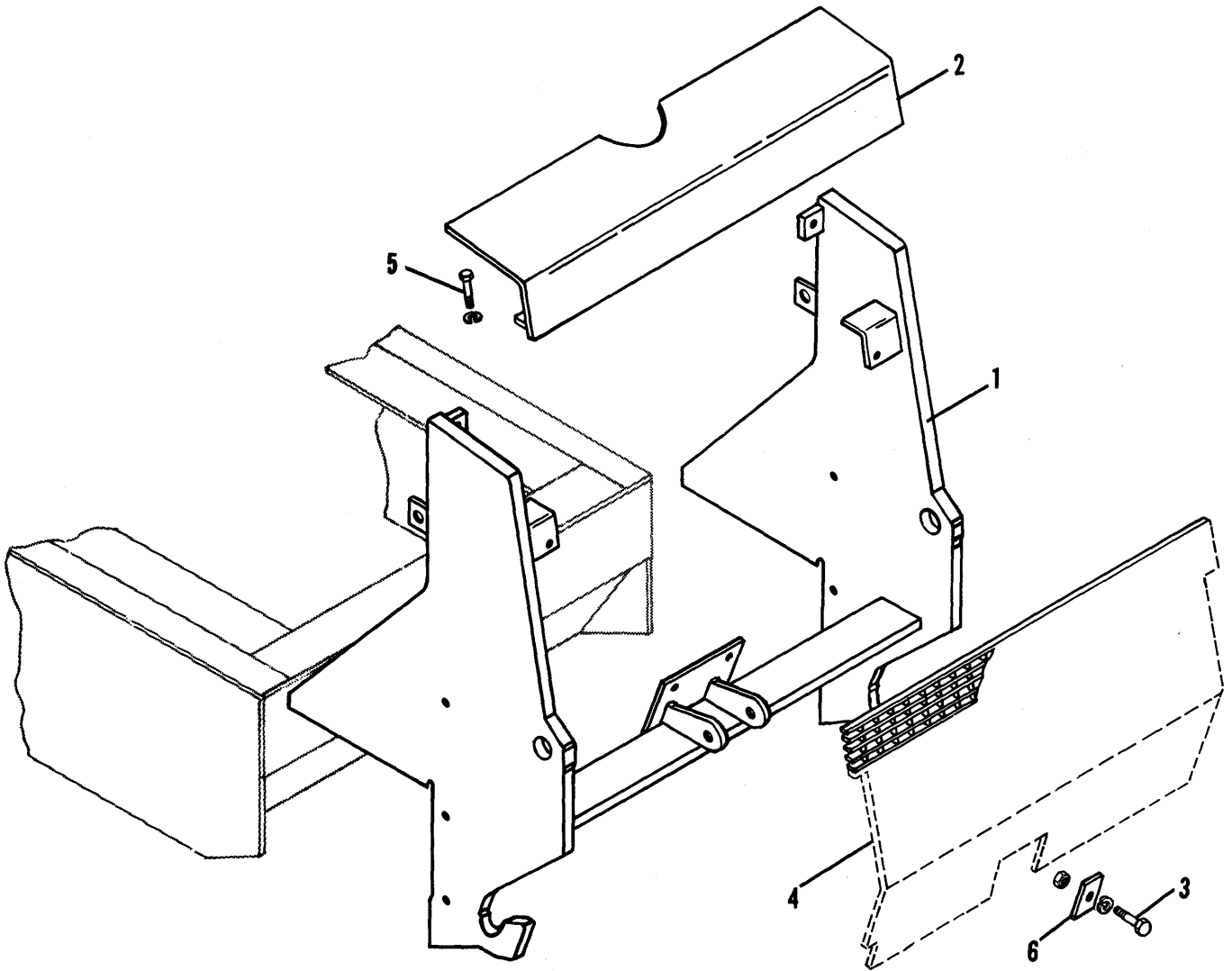
HEATER  
FIELD INSTALLATION



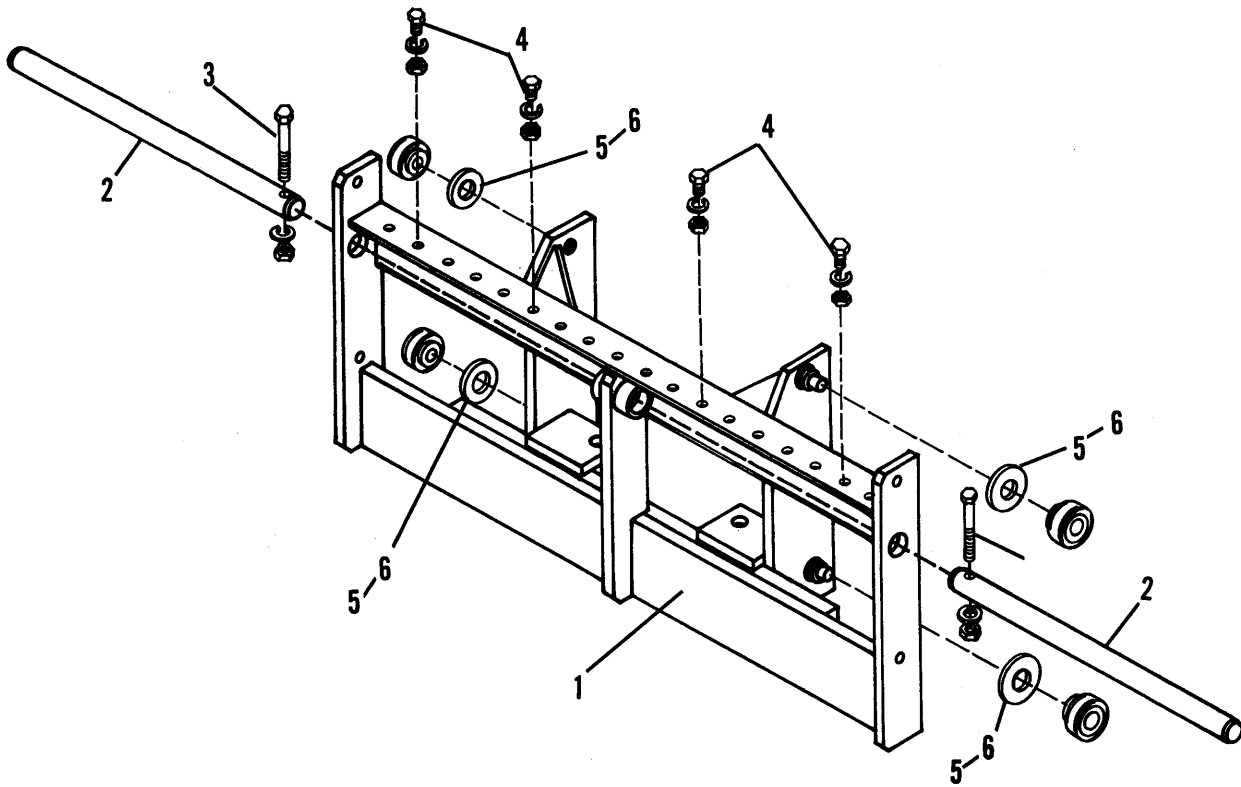
MAST  
10 FT. & 14 FT.



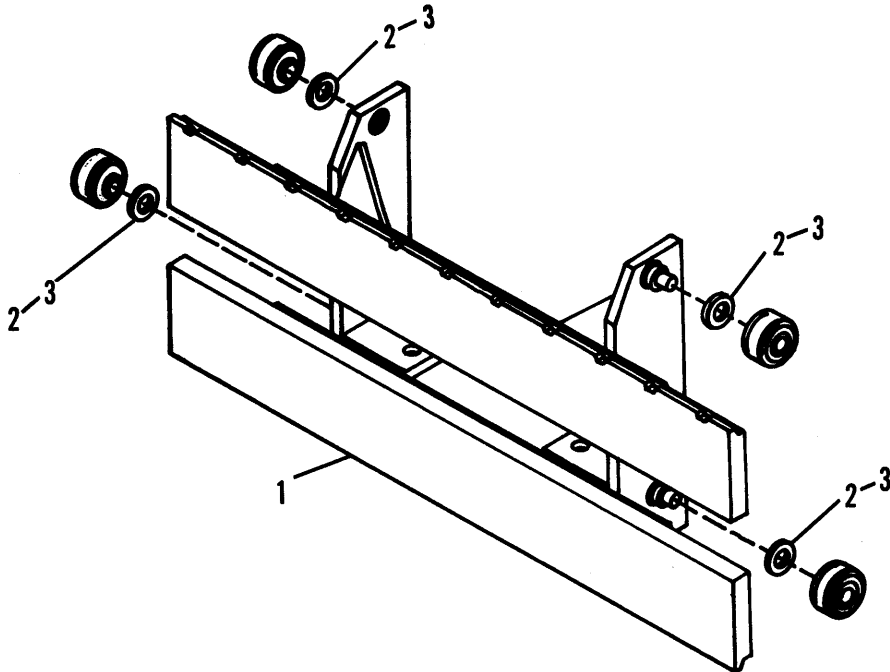
MOUNTING KIT  
BACKHOE & 3 PT. HITCH



**CARRIAGE – 48"**  
SHAFT MOUNT



**CARRIAGE – 64"**  
HOOK FORK MOUNT



CLICK HERE TO **DOWNLOAD** THE COMPLETE MANUAL

- Thank you very much for reading the preview of the manual.
- You can download the complete manual from: [www.heydownloads.com](http://www.heydownloads.com) by clicking the link below



- Please note: If there is no response to CLICKING the link, please download this PDF first and then click on it.

CLICK HERE TO **DOWNLOAD** THE COMPLETE MANUAL