

2005 JEEP WRANGLER (TJ)

PARTS CATALOG

ILLUSTRATION AND TEXT
(CHASSIS - BODY - TRIM)

October 2004

SUPERSEDES
NEW
ENGLISH



Jeep

CHRYSLER • PLYMOUTH • DODGE • JEEP

THE MOPAR DIFFERENCE

INDEX TO INFORMATION PAGES

The use of this Parts Catalog and the arrangement of information herein is explained in the General Information Section as indexed below.

Abbreviations	INF-13
Alphabetic Index	INF-10
Body Code Plate Interpretation	INF-12
Catalog Groups - Titles & Contents	INF-2
How to Use This Catalog and Locate Parts	INF-8
Illustration Index	INF-10
Illustration Numbering Index	INF-9
Index.....	INF-1
Logical Illustration Index.....	INF-3
Logical Illustrations	INF-9
Numerical Index	INF-10
Page Numbering.....	INF-9
Part Packages	INF-10
Standard Parts.....	INF-10
Symbols Used in this Catalog.....	INF-9
VIN Plate Decoding Information	INF-11

CLICK HERE TO **DOWNLOAD** THE COMPLETE MANUAL

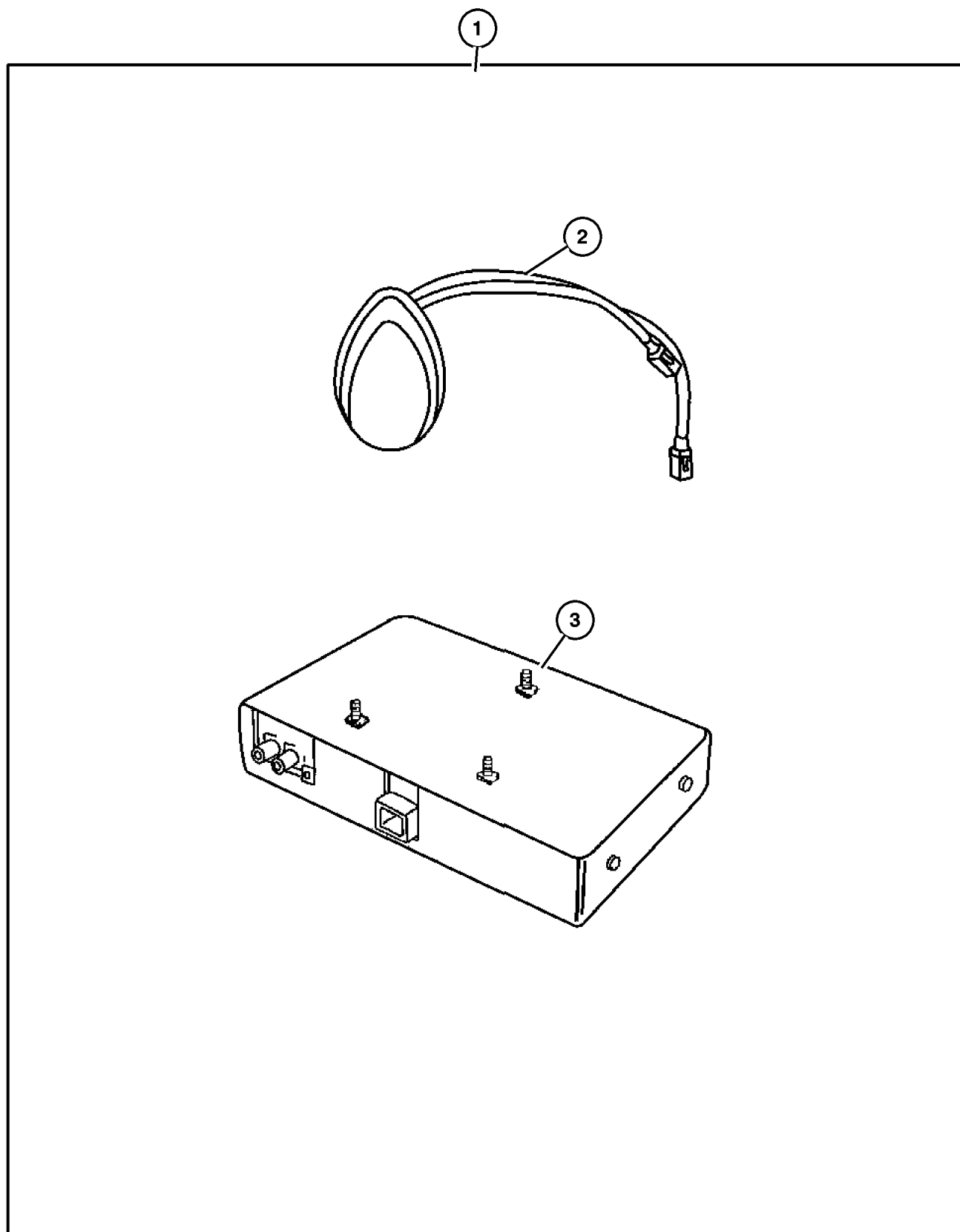
- Thank you very much for reading the preview of the manual.
- You can download the complete manual from: www.heydownloads.com by clicking the link below



- Please note: If there is no response to CLICKING the link, please download this PDF first and then click on it.

CLICK HERE TO **DOWNLOAD** THE COMPLETE MANUAL

**Satellite Receiver Kit
Figure 001-155**



ITEM	PART NUMBER	QTY	LINE	SERIES	BODY	ENGINE	TRANS	TRIM	DESCRIPTION
------	-------------	-----	------	--------	------	--------	-------	------	-------------

Note: For Warranty Repair on Item 3, Order Using Z Prefix

1	82208 908AA	1							RECEIVER, Satellite
2	5091 504AB	1							ANTENNA, Satellite
3	5064 020AH	1							RECEIVER, Satellite

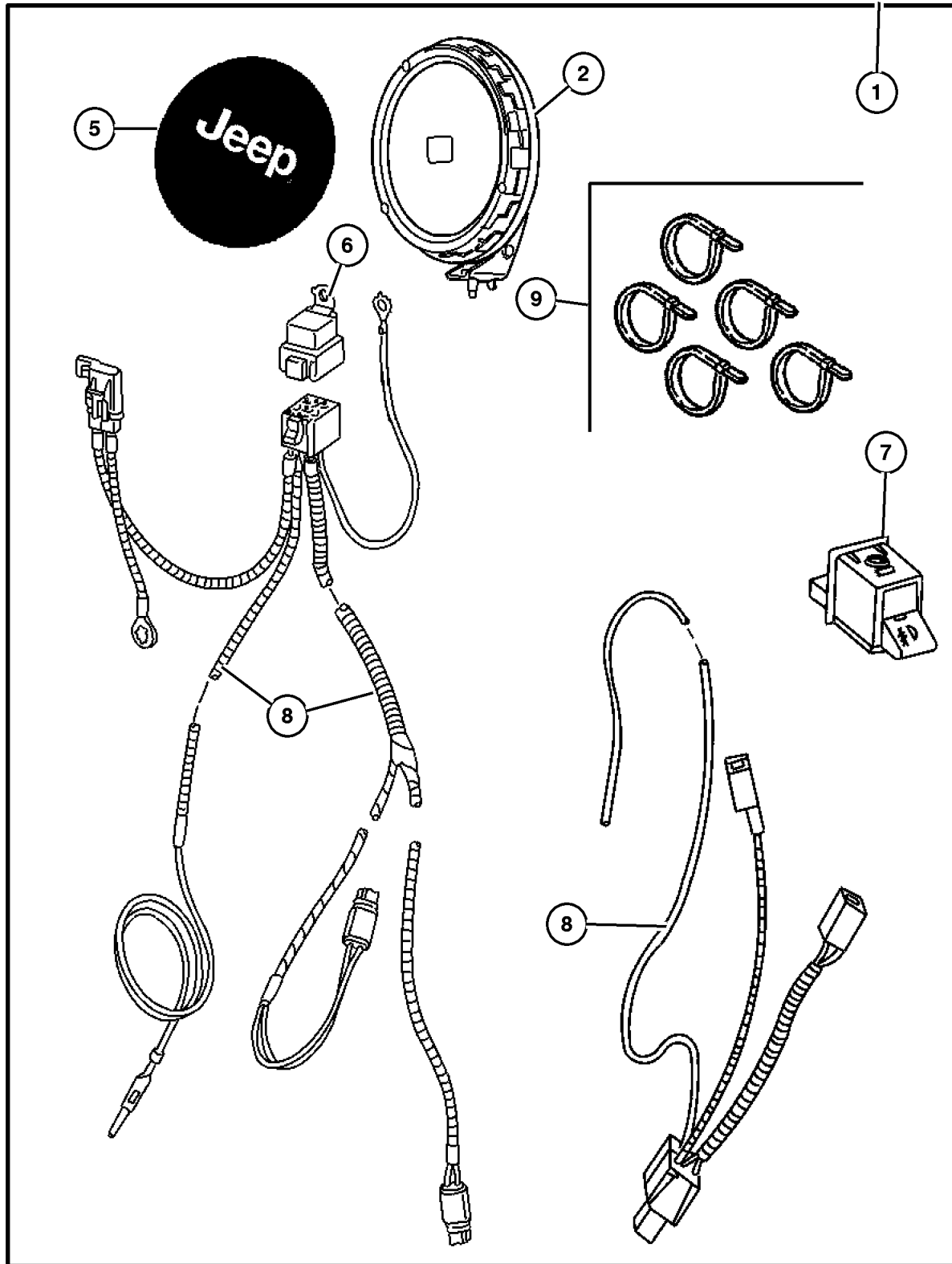
JEEP WRANGLER (TJ)

SERIES	LINE	BODY	ENGINE	TRANSMISSION
H = Sport	J = Wrangler 4WD	77 = 93.4 WB	ED1, ED0 = 2.4L DOHC	DGG, DGD = 32RH 3 Spd. Auto.
L = SE	U = Wrangler 4WD (RHD)		ERH = 4.0L Power Tech	DDD = 5 Speed HD Manual
M = X				DG0 = Auto. Trans.
P = Sahara				DBB = Manual Trans.
S = Rubicon				DDK = 5 Speed Manual

AR = Use as required - = Non illustrated part # = New this model year

August 27, 2004

**Light Kit - Fog
Figure 001-610**



ITEM	PART NUMBER	QTY	LINE	SERIES	BODY	ENGINE	TRANS	TRIM	DESCRIPTION
NOTE:									
Use Bracket Kit 82202610 for Front Tube Bumpers									
Wiring will need to be modified to fit application									
1	8220 8017	1	J		77, 78				LIGHT PACKAGE, Fog
2	55055 095AG	1	J		77, 78				LAMP, Fog
-3	4864 773	1	J		77, 78				RETAINER, Fog Lamp Bulb
-4	L00H 355W	2							BULB, Fog Lamp, H-3 55 WATT
5	8220 2586	1			77				COVER KIT, Light
6	4638 094	1	J		77, 78				RELAY PACKAGE, Electrical
7	5016 709AD	1	J		77, 78				SWITCH, Multifunction
8	8220 8244	1	J		77, 78				WIRING, Fog Lamp, Serviced in Package
9	5073 039AA	1	J		77, 78				STRAP, Tie

JEEP WRANGLER (TJ)

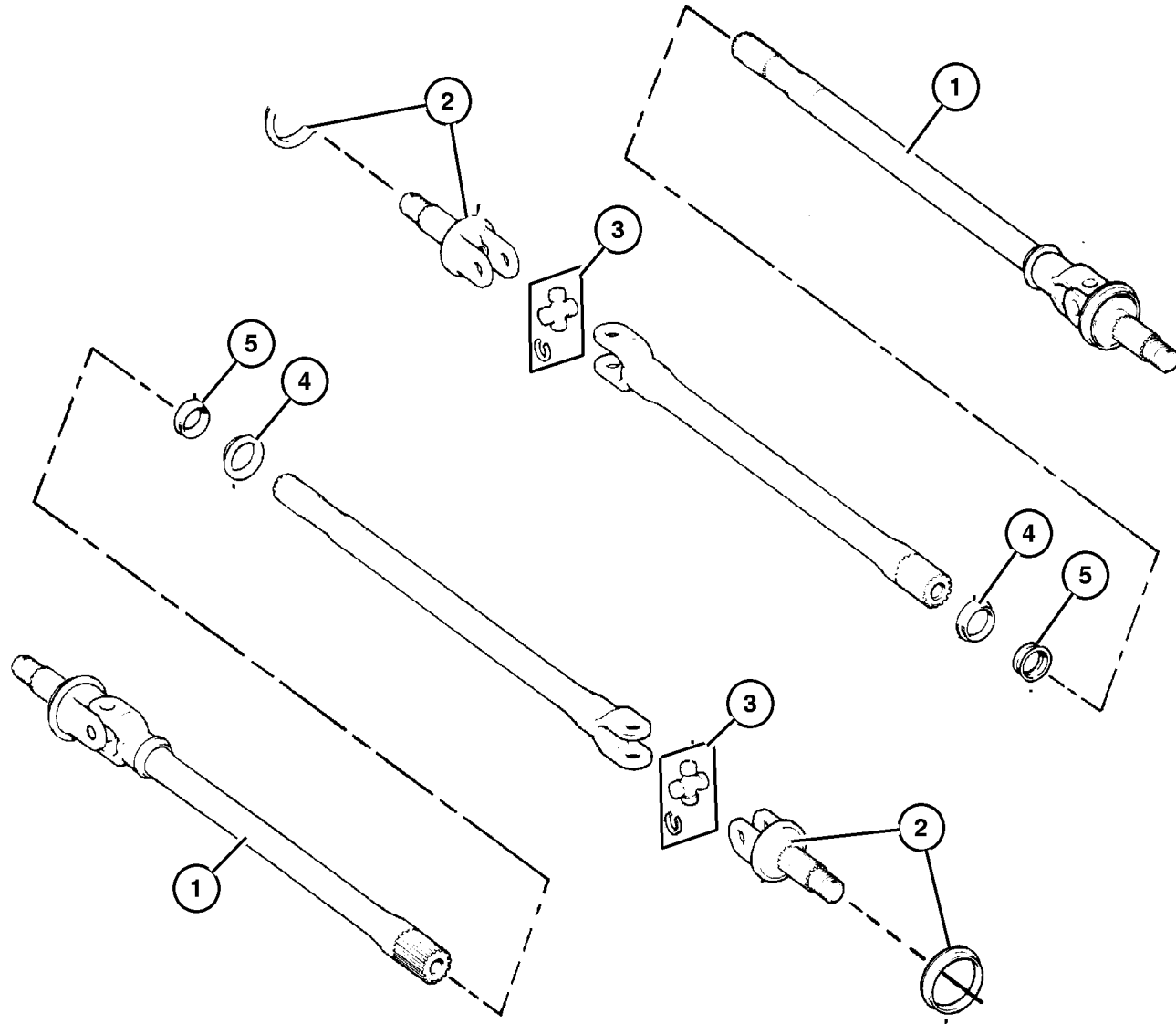
SERIES	LINE	BODY	ENGINE	TRANSMISSION
H = Sport	J = Wrangler 4WD	77 = 93.4 WB	ED1, ED0 = 2.4L DOHC	DGG, DGD = 32RH 3 Spd. Auto.
L = SE	U = Wrangler 4WD (RHD)		ERH = 4.0L Power Tech	DDD = 5 Speed HD Manual
M = X				DG0 = Auto. Trans.
P = Sahara				DBB = Manual Trans.
S = Rubicon				DDK = 5 Speed Manual

AR = Use as required - = Non illustrated part # = New this model year

August 27, 2004

Shafts, Front Axle
Figure 002-210

ITEM	PART NUMBER	QTY	LINE	SERIES	BODY	ENGINE	TRANS	TRIM	DESCRIPTION
Note:Sales Codes;									
[BGA]=Brakes - Power Front Disc/Rear Drum									
[BGK]=Brakes - 4-Wheel Anti-lock									
[BRW]=Brakes - 4-Wheel Disc									
[DJC]=Axle -Front, Heavy Duty Dana M44/216M									
1									SHAFT, Axle
	4874 302	1	J						[BGA], Right
	4874 303	1	J						[BGA], Left
	4874 306	1	J						[BGK], Right
	4874 307	1	J						[BGK], Left
	5083 666AA	1	J						[DJC,BRW], Right
	5083 667AA	1	J						[DJC,BRW], Left
	4874 302	1	U		77				[BGA], Right
	4874 303	1	U		77				[BGA], Left
	4874 306	1	U		77				[BGK], Right
	4874 307	1	U		77				[BGK], Left
2									SHAFT, Axle
	8350 0184	1	J						[BGA], Right or Left
	4728 984	1	J						[BGK], Right or Left
	5083 666AA	1	J						[DJC,BRW], Right
	5083 667AA	1	J						[DJC,BRW], Left
	8350 0184	1	U		77				[BGA], Right or Left
	4728 984	1	U		77				[BGK], Right or Left
3									U JOINT, Front Axle
	4137 757	1	J						Right or Left
	5083 670AA	1	J						[DJC], Right or Left
	4137 757	1	U		77				Right or Left
4									SLINGER, Oil
	4882 135	2	J						Right or Left
	5083 669AA	2	J						[DJC], Right or Left
	4882 135	2	U		77				Right or Left
5									SEAL, Axle Drive Shaft
	4874 477	2	J						Right or Left
	5014 852AA	2	J						[DJC], Right or Left
	4874 477	2	U		77				Right or Left



JEEP WRANGLER (TJ)

SERIES	LINE	BODY	ENGINE	TRANSMISSION
H = Sport	J = Wrangler 4WD	77 = 93.4 WB	ED1, ED0 = 2.4L DOHC	DGG, DGD = 32RH 3 Spd.
L = SE	U = Wrangler 4WD (RHD)		ERH = 4.0L Power Tech	Auto.
M = X				DDD = 5 Speed HD Manual
P = Sahara				DG0 = Auto. Trans.
S = Rubicon				DBB = Manual Trans.
				DDK = 5 Speed Manual

AR = Use as required - = Non illustrated part # = New this model year

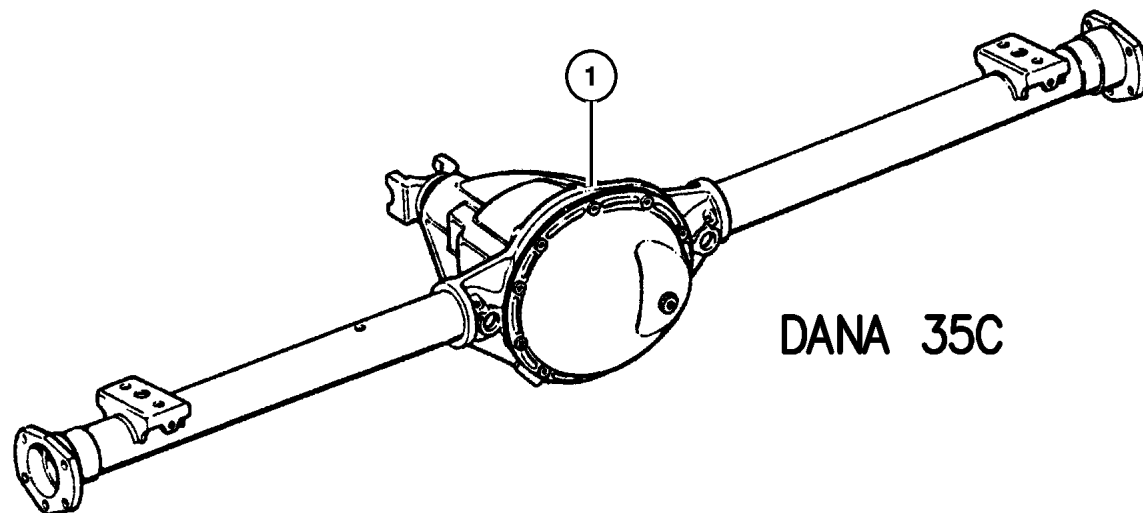
August 27, 2004

Axle Assembly, Rear
Figure 003-110

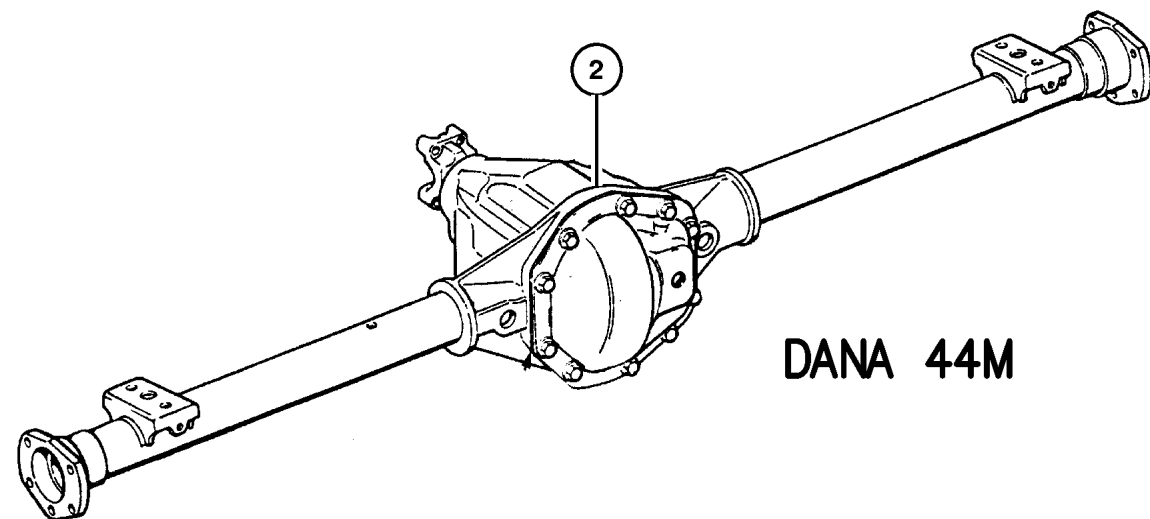
ITEM	PART NUMBER	QTY	LINE	SERIES	BODY	ENGINE	TRANS	TRIM	DESCRIPTION
------	-------------	-----	------	--------	------	--------	-------	------	-------------

Note:Sales Codes;
 [BGA]=Brakes - Power Front Disc/Rear Drum
 [BGK]=Brakes - 4-Wheel Anti-Lock
 [BRW]=Brakes - 4-Wheel Disc
 [DME]=Axle Ratio - 3.73
 [DMF]=Axle Ratio - 4.11
 [DMM]=Axle Ratio - 3.07
 [DMU]=Axle Ratio - 4.56
 [DRJ]=Axle - Rear,Dana M35/194MM
 [DRK]=Axle - Rear,Dana 44/226MM
 [DSA]=Axle - Trac-Lok Differential
 [DSE]=Axle - Trulok Differential

1									AXLE, Service Rear
	5086 642AA	1	J		77				[DME,BGA] Tag 52111763AF
	5086 637AA	1	J		77				[DME,BGA,DSA] Tag 52111929AF
	5086 649AA	1	J		77				[DMM,BGA] Tag 52111760AF
	5086 648AA	1	J		77				[DMM,BGA,DSA] Tag 52111764AF
	5086 623AB	1	J		77				[DMU,BGA] Tag 52104676AC
2									AXLE, Service Rear
	5086 636AC	1	J		77				[DME,BGA] Tag 52104454AG
	5083 680AD	1	J		77				[DME,BRW,DSA] Tag 52114045AC
	5083 674AB	1	J		77				[DMF,BRW,DSE]Tag 52104435AF
	5086 630AC	1	U		77				[DMM,BGA,DSA] Tag 52111750AI
	5086 634AC	1	U		77				[DME,BGA,DSA] Tag 51111750AI



DANA 35C



DANA 44M

JEEP WRANGLER (TJ)		SERIES	LINE	BODY	ENGINE	TRANSMISSION
H = Sport	J = Wrangler 4WD	77 = 93.4 WB		ED1, ED0 = 2.4L DOHC	DGG, DGD = 32RH 3 Spd. Auto.	
L = SE	U = Wrangler 4WD (RHD)			ERH = 4.0L Power Tech	DDD = 5 Speed HD Manual	
M = X					DG0 = Auto. Trans.	
P = Sahara					DBB = Manual Trans.	
S = Rubicon					DDK = 5 Speed Manual	

AR = Use as required - = Non illustrated part # = New this model year

August 27, 2004

Group – 004

Parking Brake

GROUP 4 - Parking Brake

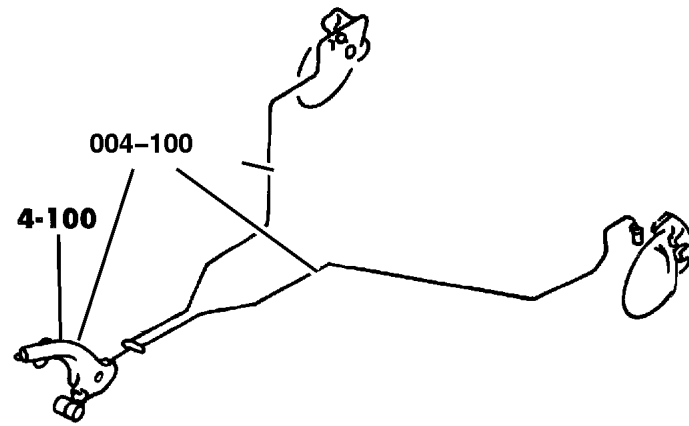
Illustration Title


Group-Fig. No.

Parking Brake Lever and Cables

Parking Brake Lever and Cables Fig. 004-110

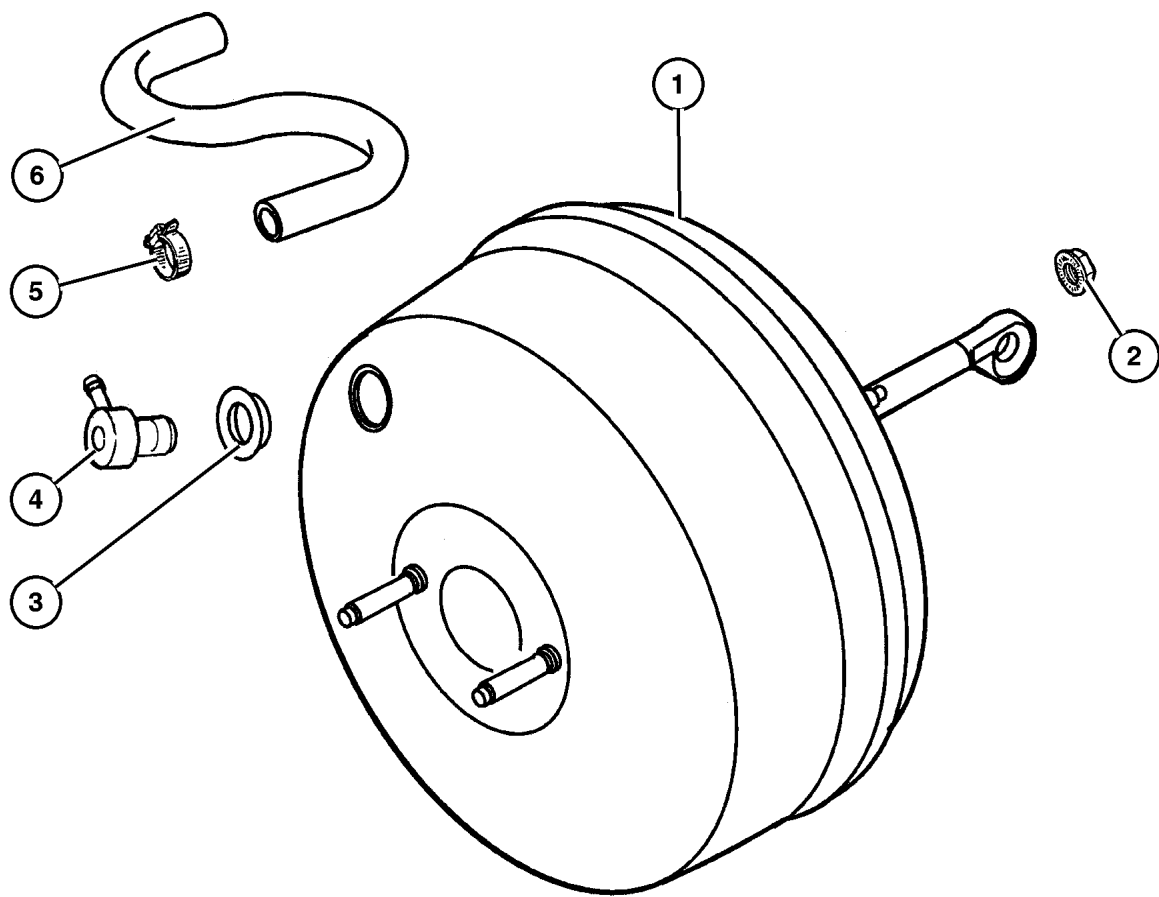
Parking Brake Assembly,Rear,Disc Fig. 004-120



<p>004-100 Parking Brake Lever and Cables</p> 			
--	--	--	--

**Power Brake Booster
Figure 005-310**

ITEM	PART NUMBER	QTY	LINE	SERIES	BODY	ENGINE	TRANS	TRIM	DESCRIPTION
Note:Sales Codes;									
[EP0]=Engines - All 2.5L 4 Cylinder Gas									
[ER0]=Engines - All 4.0L 6 Cylinder Gas									
1	4798 158AC	1							BOOSTER, Power Brake
2	J400 3909	4							NUT, Hex Flange With Serration, Booster to Dash, Mounting
3	4883 813AA	1							GROMMET, Brake Booster Check Valve
4	4584 098	1							VALVE, Brake Booster Check
5	5304 1045	1	J						CLAMP, Hose
6	52128 433AC	1	J						HOSE, Brake Booster [ED0]
	3879 277	1	J						[ER0]

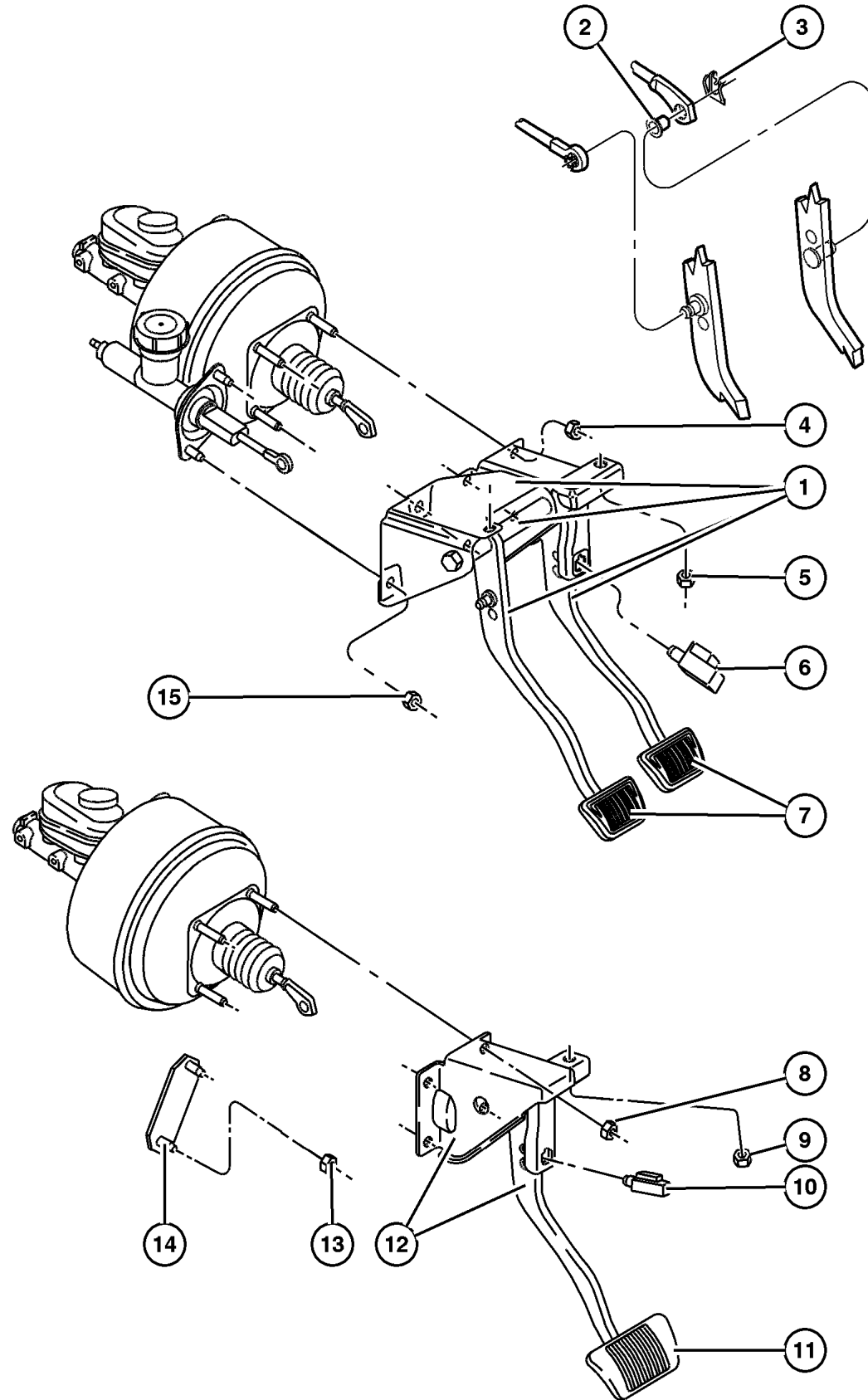


JEEP WRANGLER (TJ)				
SERIES	LINE	BODY	ENGINE	TRANSMISSION
H = Sport	J = Wrangler 4WD	77 = 93.4 WB	ED1, ED0 = 2.4L DOHC	DGG, DGD = 32RH 3 Spd. Auto.
L = SE	U = Wrangler 4WD (RHD)		ERH = 4.0L Power Tech	DDD = 5 Speed HD Manual
M = X				DG0 = Auto. Trans.
P = Sahara				DBB = Manual Trans.
S = Rubicon				DDK = 5 Speed Manual

AR = Use as required - = Non illustrated part # = New this model year

August 27, 2004

Brake Pedal,LHD
Figure 005-610



ITEM	PART NUMBER	QTY	LINE	SERIES	BODY	ENGINE	TRANS	TRIM	DESCRIPTION
Note:Sales Codes;									
[DBB]= All Manual Transmissions									
[DG0]=All Automatic Transmissions									
1	52128 017AB	1	J						PEDAL, Brake And Clutch, [DBB]
2	4446 361	1							BUSHING, Hydraulic Clutch Actuator
3	6035 334	1							CLIP, Brake Push Rod
4	J400 3909	4							NUT, Hex Flange With Serration, Booster to Dash, Mounting
5	J400 3909	2							NUT, Hex Flange With Serration, Brake Pedal Support Bracket, Mounting
6	4671 336	1							SWITCH, Stop Lamp
7	5200 2750	2	J						PAD, Pedal, [DBB]
8	J400 3909	4							NUT, Hex Flange With Serration, Booster to Dash, Mounting
9	J400 3909	1							NUT, Hex Flange With Serration, Brake Pedal Support Bracket, Mounting
10	4671 336	1							SWITCH, Stop Lamp
11	5102 023AB	1	J						PAD, Pedal, [DG0]
12	52129 008AE	1	J						PEDAL, Brake, [DG0]
13	J400 3909	2							NUT, Hex Flange With Serration, Clutch Master Cylinder Cover, Mounting
14	5210 4013	1							COVER, Master Cylinder, [DG0]
15	J400 3909	2							NUT, Hex Flange With Serration, Clutch Master Cylinder, Mounting
-16	4294 639	4	J						BUSHING, Clutch and Brake Pedal, For Pivot Shaft

JEEP WRANGLER (TJ)

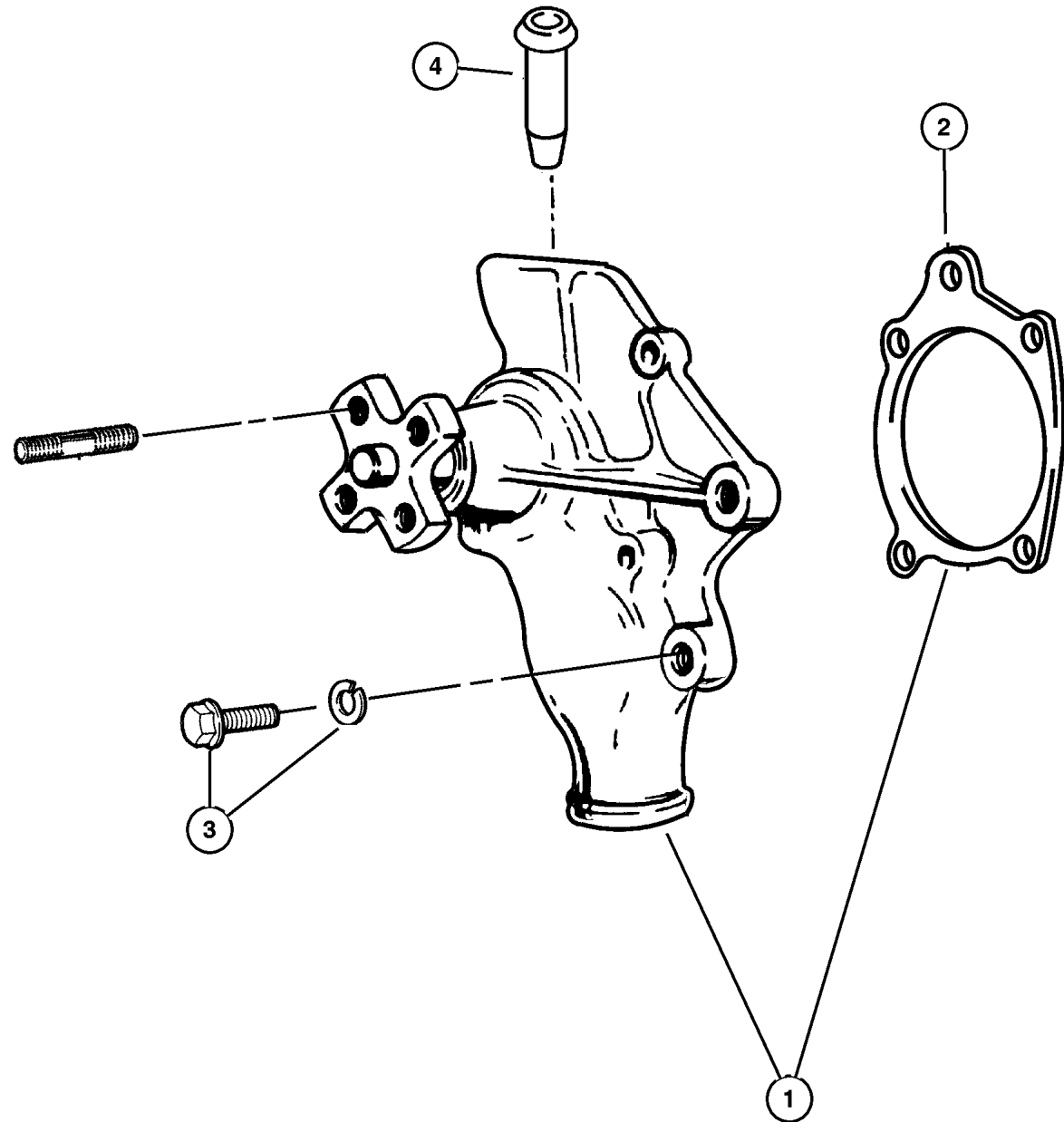
SERIES	LINE	BODY	ENGINE	TRANSMISSION
H = Sport	J = Wrangler 4WD	77 = 93.4 WB	ED1, ED0 = 2.4L DOHC	DGG, DGD = 32RH 3 Spd. Auto.
L = SE	U = Wrangler 4WD (RHD)		ERH = 4.0L Power Tech	DDD = 5 Speed HD Manual
M = X				DG0 = Auto. Trans.
P = Sahara				DBB = Manual Trans.
S = Rubicon				DDK = 5 Speed Manual

AR = Use as required - = Non illustrated part # = New this model year

August 27, 2004

**Water Pump, 4.0L Engine
Figure 007-205**

ITEM	PART NUMBER	QTY	LINE	SERIES	BODY	ENGINE	TRANS	TRIM	DESCRIPTION
Note: Sales Code ER0 = 4.0L Gas Engine									
1	5012 366AD	1				ER0			PUMP PACKAGE, Water
2	5010 956AB	1				ER0			GASKET, Water Pump
3	6036 004AA	4				ER0			SCREW
4	5300 7978	1				ER0			TUBE, Water Pump Heater Return



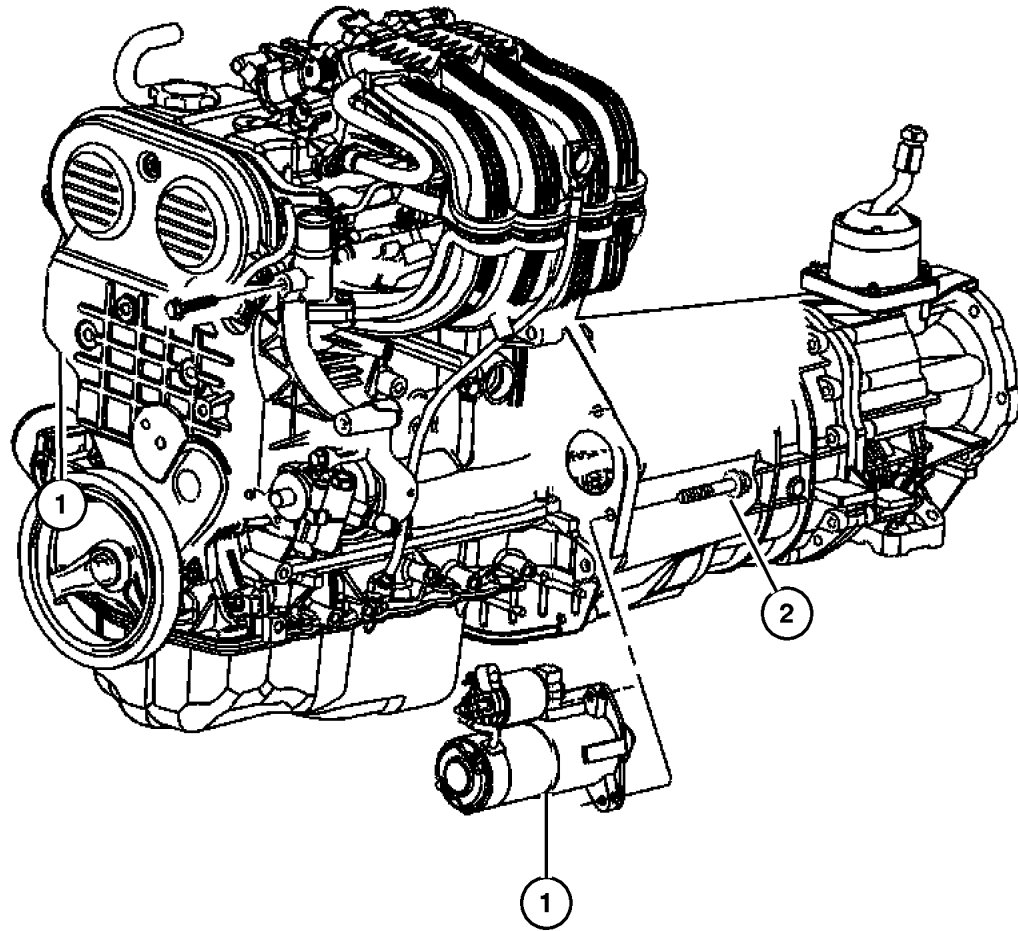
JEEP WRANGLER (TJ)				
SERIES	LINE	BODY	ENGINE	TRANSMISSION
H = Sport	J = Wrangler 4WD	77 = 93.4 WB	ED1, ED0 = 2.4L DOHC	DGG, DGD = 32RH 3 Spd. Auto.
L = SE	U = Wrangler 4WD (RHD)		ERH = 4.0L Power Tech	DDD = 5 Speed HD Manual
M = X				DG0 = Auto. Trans.
P = Sahara				DBB = Manual Trans.
S = Rubicon				DDK = 5 Speed Manual

AR = Use as required - = Non illustrated part # = New this model year

August 27, 2004

Starter [2.4L Engine]
Figure 008-105

ITEM	PART NUMBER	QTY	LINE	SERIES	BODY	ENGINE	TRANS	TRIM	DESCRIPTION
1	56041 436AC	1				ED0			STARTER
2	6102 120AA	1				ED0, ER0			SCREW AND WASHER, Hex Head, Starter Mounting



JEEP WRANGLER (TJ)

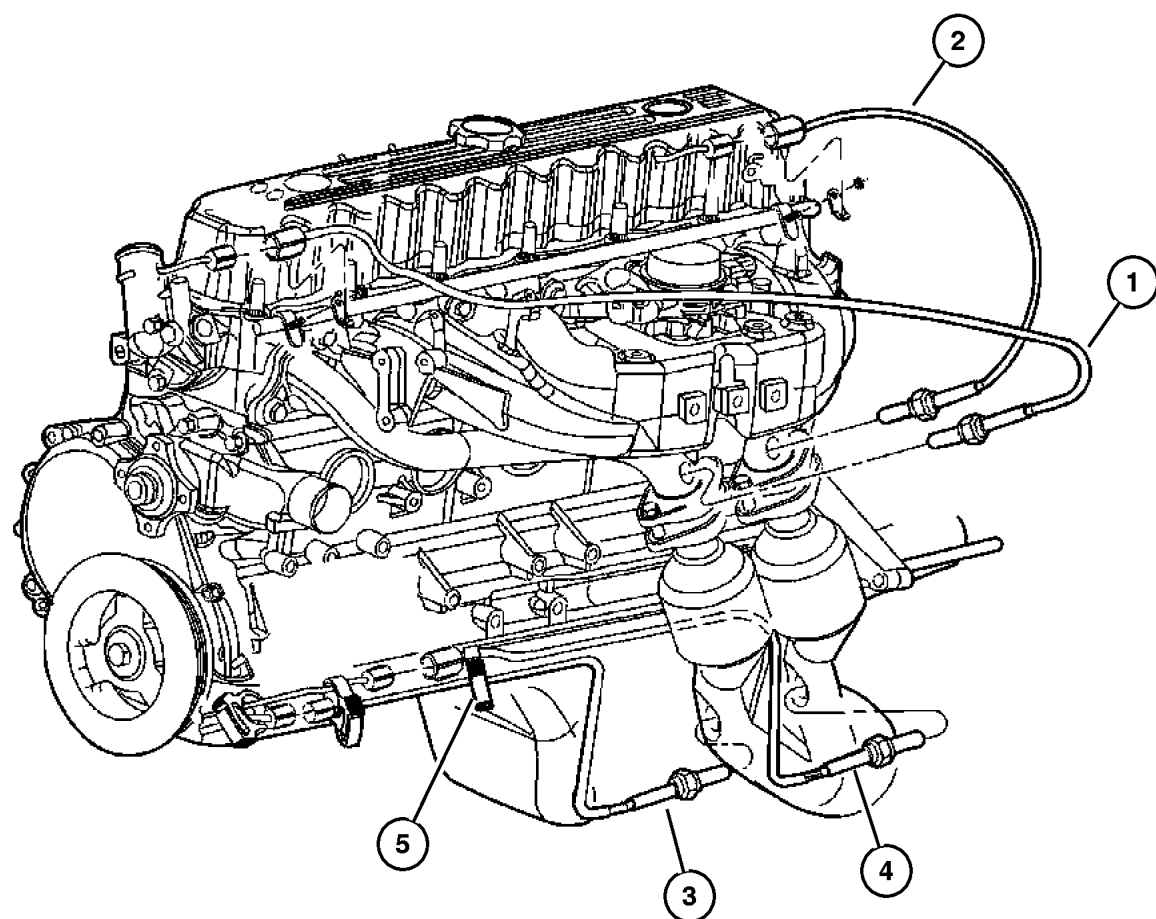
SERIES	LINE	BODY	ENGINE	TRANSMISSION
H = Sport	J = Wrangler 4WD	77 = 93.4 WB	ED1, ED0 = 2.4L DOHC	DGG, DGD = 32RH 3 Spd. Auto.
L = SE	U = Wrangler 4WD (RHD)		ERH = 4.0L Power Tech	DDD = 5 Speed HD Manual
M = X				DG0 = Auto. Trans.
P = Sahara				DBB = Manual Trans.
S = Rubicon				DDK = 5 Speed Manual

AR = Use as required - = Non illustrated part # = New this model year

August 27, 2004

Sensors Oxygen 4.0L [ER0]
Figure 008-620

ITEM	PART NUMBER	QTY	LINE	SERIES	BODY	ENGINE	TRANS	TRIM	DESCRIPTION
1	56028 994AB	1				ER0			SENSOR, Oxygen, Before catalyst front
2	56028 995AB	1				ER0			SENSOR, Oxygen, Before catalyst rear
3	56029 049AA	1				ER0			SENSOR, Oxygen, After catalyst front
4	56028 994AB	1				ER0			SENSOR, Oxygen, After catalyst rear
5	56045 347AB	1				ER0			BRACKET, Electrical Connectors, Oxygen sensor wiring



JEEP WRANGLER (TJ)

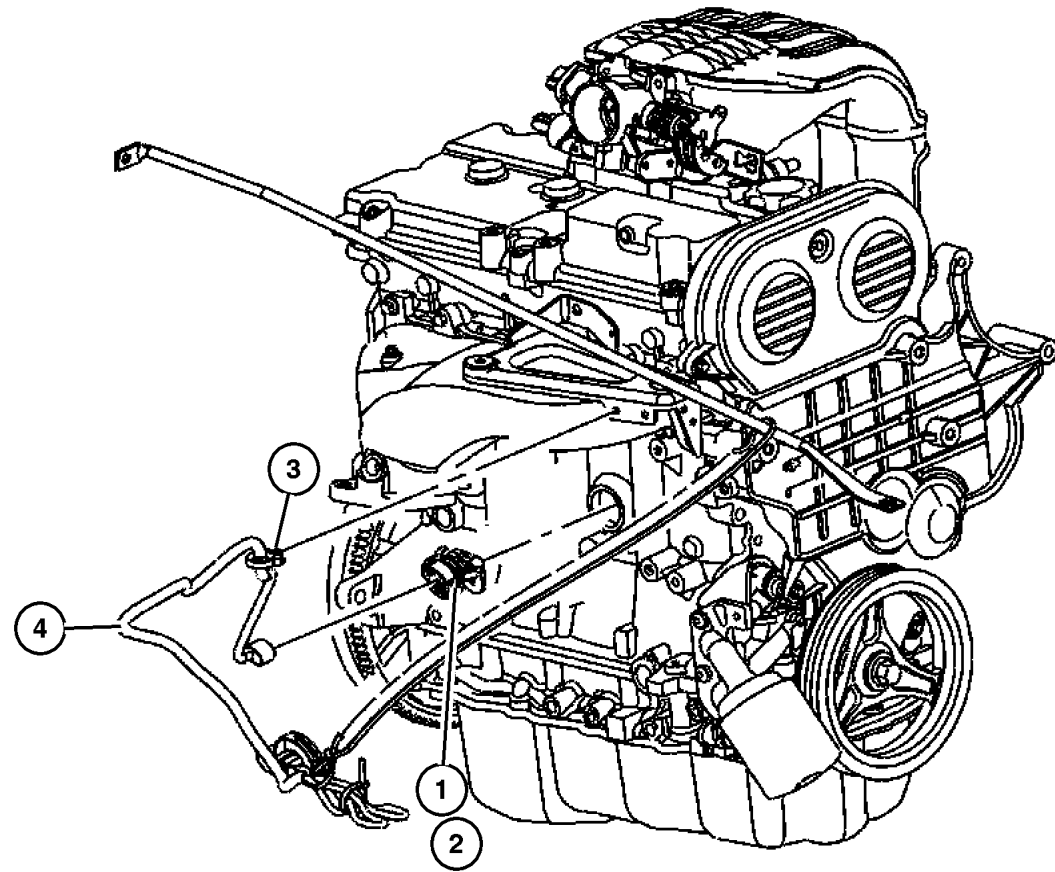
SERIES	LINE	BODY	ENGINE	TRANSMISSION
H = Sport	J = Wrangler 4WD	77 = 93.4 WB	ED1, ED0 = 2.4L DOHC	DGG, DGD = 32RH 3 Spd. Auto.
L = SE	U = Wrangler 4WD (RHD)		ERH = 4.0L Power Tech	DDD = 5 Speed HD Manual
M = X				DG0 = Auto. Trans.
P = Sahara				DBB = Manual Trans.
S = Rubicon				DDK = 5 Speed Manual

AR = Use as required - = Non illustrated part # = New this model year

August 27, 2004

Engine Heaters
Figure 008-1010

ITEM	PART NUMBER	QTY	LINE	SERIES	BODY	ENGINE	TRANS	TRIM	DESCRIPTION
1	4557 686AB	1				ED0			HEATER, Engine
2	8220 1506	1				ER0			HEATER PACKAGE, Engine Block
3	6015 756	1				ED0			STRAP, Tie, Block heater cord
4	5601 6834	1				ER0			CORD, Engine Block Heater
	56044 160AA	1				ED0			



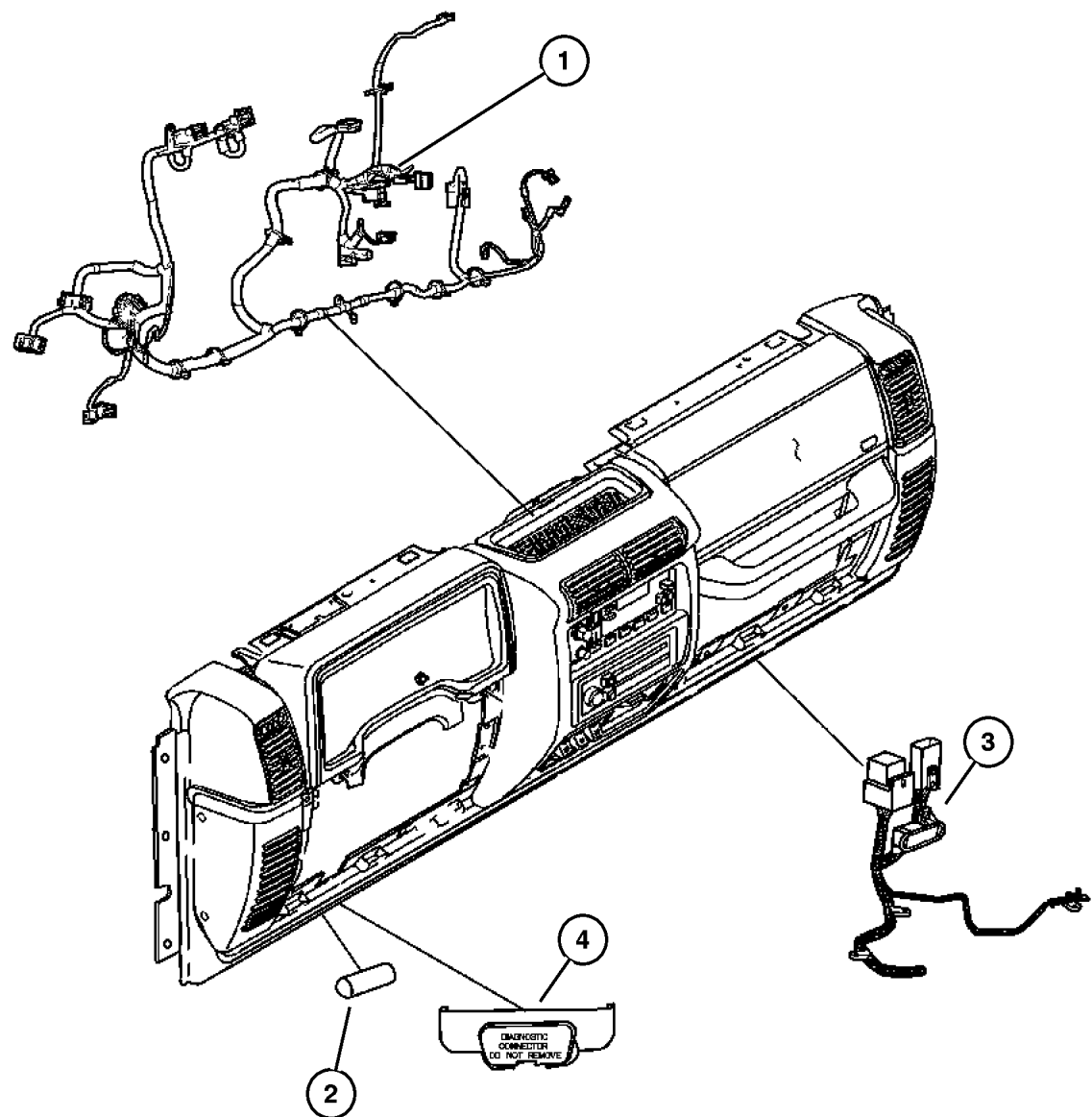
JEEP WRANGLER (TJ)

SERIES	LINE	BODY	ENGINE	TRANSMISSION
H = Sport	J = Wrangler 4WD	77 = 93.4 WB	ED1, ED0 = 2.4L DOHC	DGG, DGD = 32RH 3 Spd. Auto.
L = SE	U = Wrangler 4WD (RHD)		ERH = 4.0L Power Tech	DDD = 5 Speed HD Manual
M = X				DG0 = Auto. Trans.
P = Sahara				DBB = Manual Trans.
S = Rubicon				DDK = 5 Speed Manual

AR = Use as required - = Non illustrated part # = New this model year

August 27, 2004

Wiring Instrument Panel & Fuses Figure 008-1405



ITEM	PART NUMBER	QTY	LINE	SERIES	BODY	ENGINE	TRANS	TRIM	DESCRIPTION
Notes:									
[DG0]=All Automatic Transmissions									
1									WIRING, Instrument Panel
	56047 307AB	1	J		77, 78				[VJ0,GNN]
	56047 308AB	1	J		77, 78				[VK0,GNN]
	56047 309AB	1	J		77				Base
	56047 310AB	1	U		77				Base
	56047 311AB	1			77, 78				[VJ0,DSE]
		1	J		77, 78				[VJ0,DSE]
	56047 312AB	1			77, 78				[VK0,DSE]
		1	J		77, 78				[VK0,DSE]
	56050 427AB	1	U		77				[AHF]
	56051 633AA	1	J		77, 78				[VK0]
	56051 634AA	1			77, 78				[VJ0]
		1	J		77, 78				[VJ0]
	56051 636AA	1	J		77, 78				[VK0,GNN]
	56051 638AA	1			77, 78				[VJ0,GNN]
		1	J		77, 78				[VJ0,GNN]
	56051 639AA	1	J		77, 78				[VK0]
	56051 640AA	1			77, 78				[VJ0]
		1	J		77, 78				[VJ0]
2	5600 9433	2							CAP, Screw Cover, Diagnostic connector
3									WIRING, Air Conditioning Module
	4874 085	1	U		77				[HC0]
	5013 744AA	1	U		77				[HA0]
	5073 183AA	1	J						
4	56009 654AB	1							COVER, Wiring Protector, Diagnostic connector cover

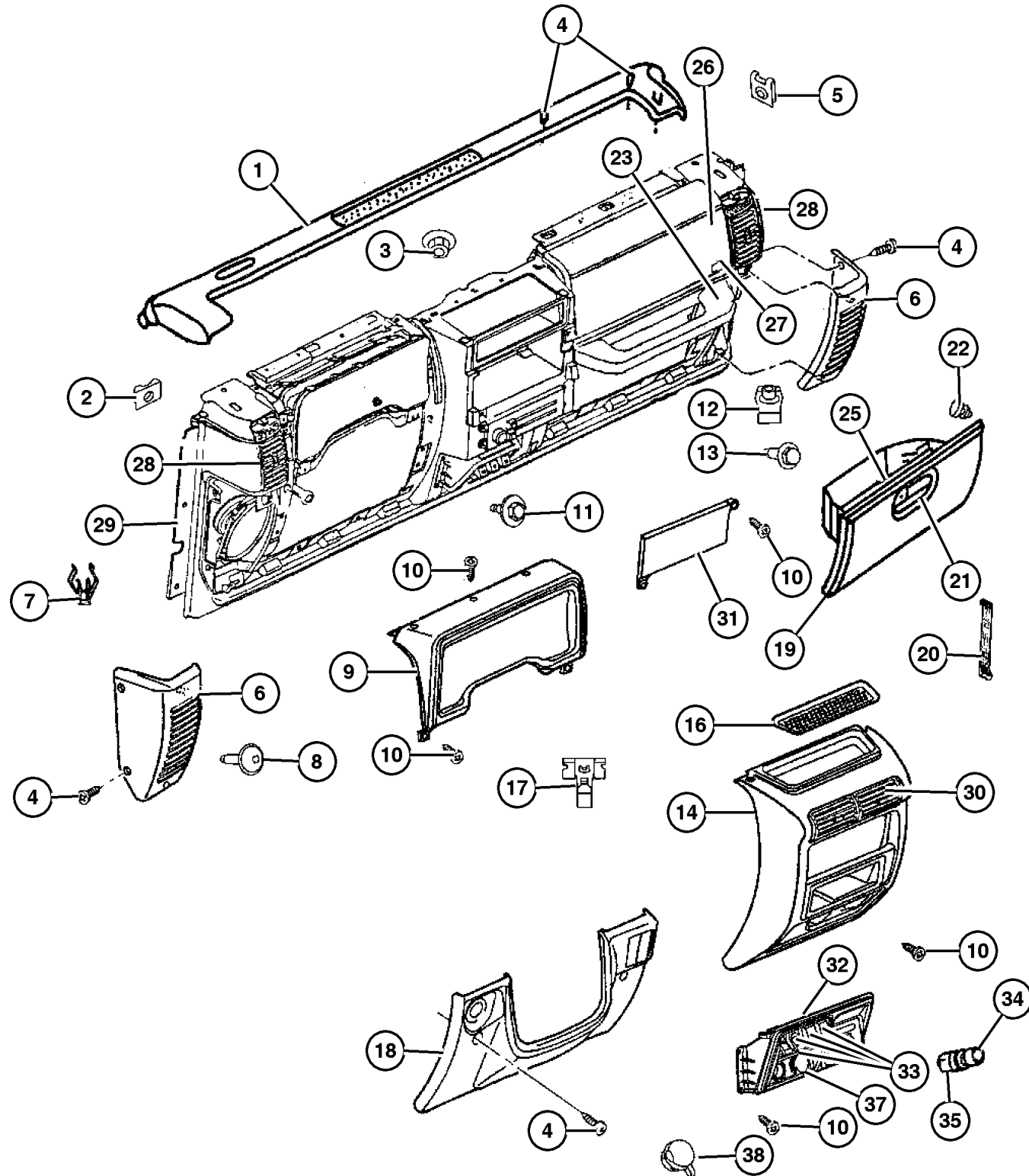
JEEP WRANGLER (TJ)

SERIES	LINE	BODY	ENGINE	TRANSMISSION
H = Sport	J = Wrangler 4WD	77 = 93.4 WB	ED1, ED0 = 2.4L DOHC	DGG, DGD = 32RH 3 Spd. Auto.
L = SE	U = Wrangler 4WD (RHD)		ERH = 4.0L Power Tech	DDD = 5 Speed HD Manual
M = X				DG0 = Auto. Trans.
P = Sahara				DBB = Manual Trans.
S = Rubicon				DDK = 5 Speed Manual

AR = Use as required - = Non illustrated part # = New this model year

August 27, 2004

Instrument Panel
Figure 08A-110



ITEM	PART NUMBER	QTY	LINE	SERIES	BODY	ENGINE	TRANS	TRIM	DESCRIPTION
		1	J						[DV], Left
	5DP5 5ZJ3	1	U		77				[J3], Left
29		1	J						[J3], Left
	5HG71 XDVAB	1	U		77				PANEL, Instrument
		1	J						[DV]
	5HG71 ZJ3AB	1	U		77				[J3]
		1	J						[J3]
30	5FS1 ODX9	2							OUTLET, Air Conditioning & Heater, Center
31									COVER, Radio Opening, (NOT SERVICED) (Not Serviced)
32									BEZEL, Cigar Lighter
	56047 071AC	1							4 Switch Plugs, Cigar and Power Outlet with Socket/Cap Included
	5101 964AA	1							4 Switch Plugs Not Included
		1							4 Switch Plugs Not Included
33									PLUG, Switch Opening
	5600 7329	1							Heated Rear Window
		1							Heated Rear Window
	5600 7330	1							Rear Washer and Wiper
		1							Rear Washer and Wiper
	56047 065AA	1							Axle Lock
		1							Axle Lock
	56007 285AB	1							Overdrive Lockout Switch
34	4685 536	1							KNOB AND ELEMENT, Cigar Lighter
35									BASE, Cigar Lighter
	4685 590	1							
		1							
-36									RING, Cigar Lighter Mounting
	4793 555	2							
		2							
37									POWER OUTLET
	4793 554AB	1							
		1							
38									CAP, Power Outlet
	4685 666AB	1							
		1							
-39	5600 8852	1							CAP, Cigar Lighter, Without Cigar Lighter

JEEP WRANGLER (TJ)

SERIES	LINE	BODY	ENGINE	TRANSMISSION
H = Sport	J = Wrangler 4WD	77 = 93.4 WB	ED1, ED0 = 2.4L DOHC	DGG, DGD = 32RH 3 Spd. Auto.
L = SE	U = Wrangler 4WD (RHD)		ERH = 4.0L Power Tech	DDD = 5 Speed HD Manual
M = X				DG0 = Auto. Trans.
P = Sahara				DBB = Manual Trans.
S = Rubicon				DDK = 5 Speed Manual

AR = Use as required - = Non illustrated part # = New this model year

August 27, 2004

Group – 2.4L

Engine 2.4L Four Cylinder

GROUP 2.4L - Engine 2.4L Four Cylinder

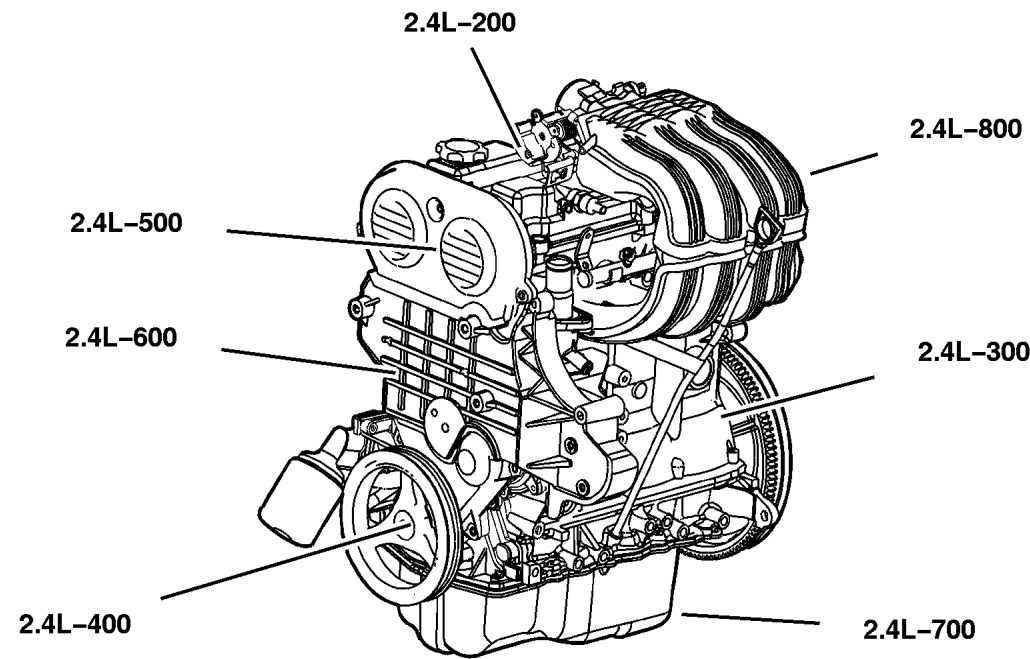


Illustration Title

Group-Fig. No.

Cylinder Head

Cylinder Head, 2.4L [ED1] Fig. 2.4L-210

Cylinder Block

Cylinder Block, 2.4L [ED1] Fig. 2.4L-310

Crankshaft, Piston, and Drive Plate

Crankshaft, Pistons and Flywheel, 2.4L [ED1] Fig. 2.4L-410

Camshafts and Valves

Camshaft and Valves 2.4L [ED1] Fig. 2.4L-510

Timing Belt and Cover

Timing Belt and Cover, 2.4L [ED1] Fig. 2.4L-610

Balance Shafts, 2.4L [ED1] Fig. 2.4L-620

Engine Oiling

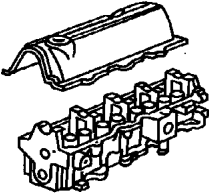
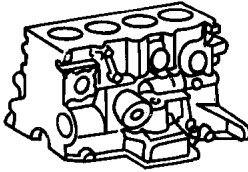
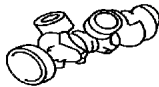
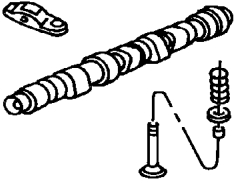
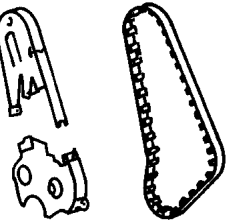
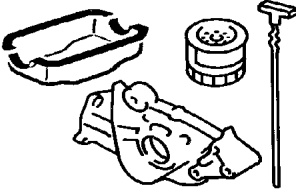
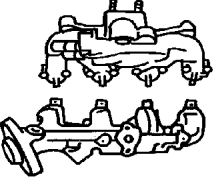
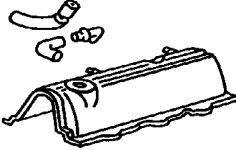
Engine Oiling, 2.4L [ED1] Fig. 2.4L-710

Manifolds

Intake and Exhaust Manifolds, 2.4L [ED1] Fig. 2.4L-810

Crankcase Ventilation

Crankcase Ventilation, 2.4L [ED1] Fig. 2.4L-910

<p>2.4L-200 Cylinder Head</p> 	<p>2.4L-300 Cylinder Block</p> 	<p>2.4L-400 Crankshaft, Piston, and Drive Plate</p> 	<p>2.4L-500 Camshafts and Valves</p> 
<p>2.4L-600 Timing Belt and Cover</p> 	<p>2.4L-700 Engine Oiling</p> 	<p>2.4L-800 Manifolds</p> 	<p>2.4L-900 Crankcase Ventilation</p> 

Group – 4.0L

Engine 4.0L Six Cylinder

GROUP 4.0L - Engine 4.0L Six Cylinder

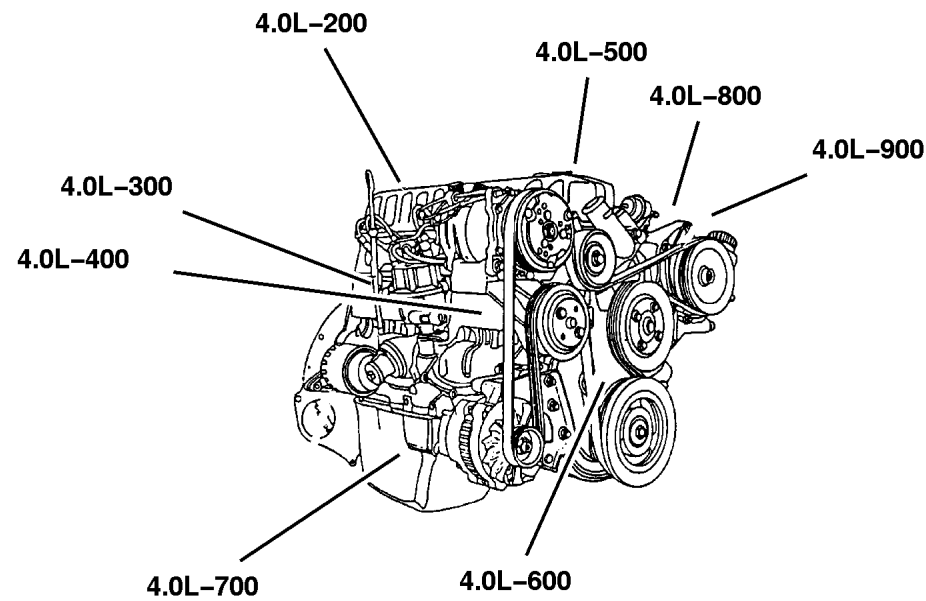


Illustration Title

Group-Fig. No.

Cylinder Head

Cylinder Head, 4.0L (ERH) Fig. 4.0L-210

Cylinder Block

Cylinder Block, 4.0L (ERH) Fig. 4.0L-310

Crankshaft, Piston and Torque Converter

Crankshaft, Piston and Torque Converter, 4.0L (ERH) Fig. 4.0L-410

Camshafts & Valves

Camshaft and Valves, 4.0L (ERH) Fig. 4.0L-510

Timing Belt and Cover

Timing Cover, 4.0L (ERH) Fig. 4.0L-610

Engine Oiling

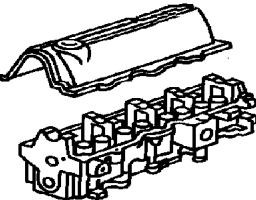
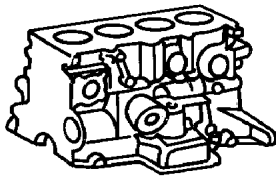
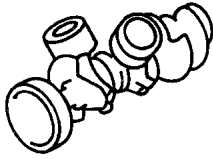
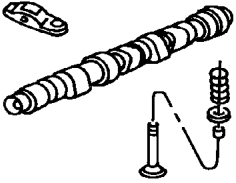
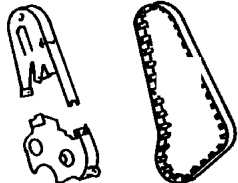
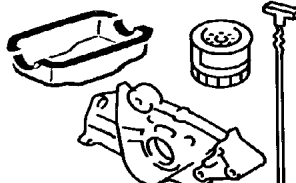
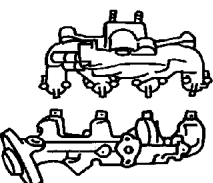
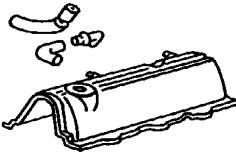
Engine Oiling, 4.0L (ERH) Fig. 4.0L-710

Manifolds

Manifold, Intake and Exhaust Fig. 4.0L-810

Crankcase Ventilation

Crankcase Ventilation, 4.0L [ERH] Fig. 4.0L-910

<p>4.0L-200 Cylinder Head</p> 	<p>4.0L-300 Cylinder Block</p> 	<p>4.0L-400 Crankshaft, Piston and Torque Converter</p> 	<p>4.0L-500 Camshafts & Valves</p> 
<p>4.0L-600 Timing Belt and Cover</p> 	<p>4.0L-700 Engine Oiling</p> 	<p>4.0L-800 Manifolds</p> 	<p>4.0L-900 Crankcase Ventilation</p> 

CLICK HERE TO **DOWNLOAD** THE COMPLETE MANUAL

- Thank you very much for reading the preview of the manual.
- You can download the complete manual from: www.heydownloads.com by clicking the link below



- Please note: If there is no response to CLICKING the link, please download this PDF first and then click on it.

CLICK HERE TO **DOWNLOAD** THE COMPLETE MANUAL

Group – 011

Exhaust

GROUP 11 - Exhaust

Illustration Title

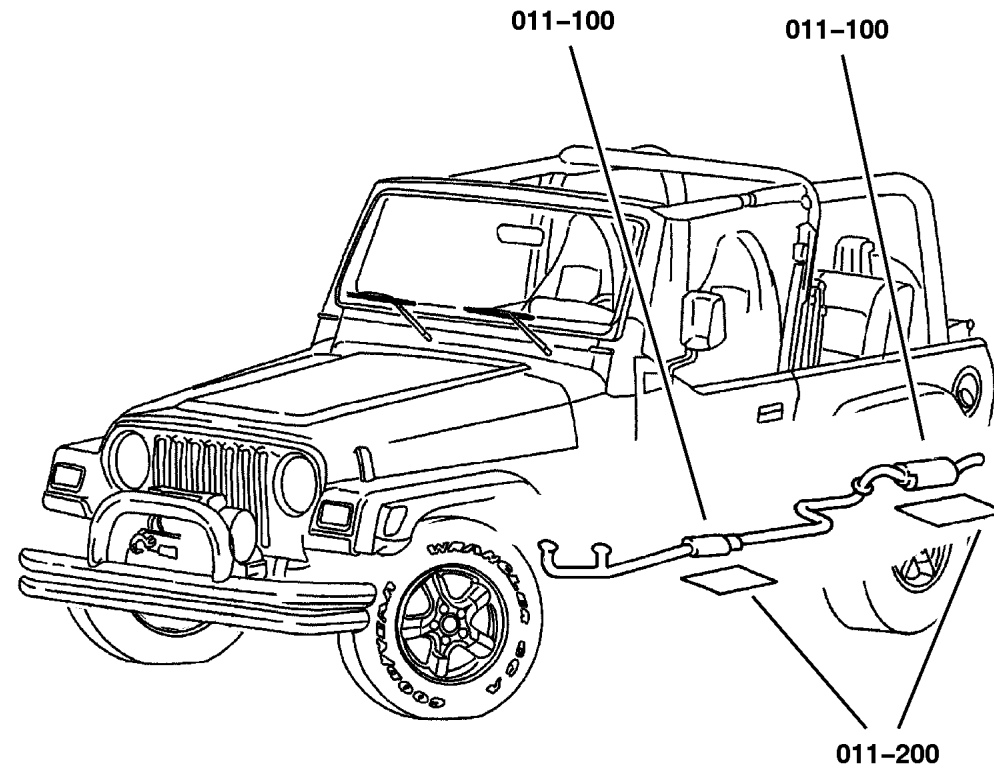
Group-Fig. No.

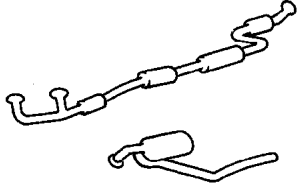
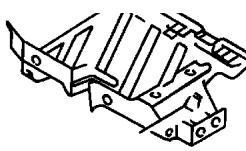
Exhaust System

Exhaust System, 2.4 (ED1), 4.0 (ERO) Fig. 011-110

Heat Shields

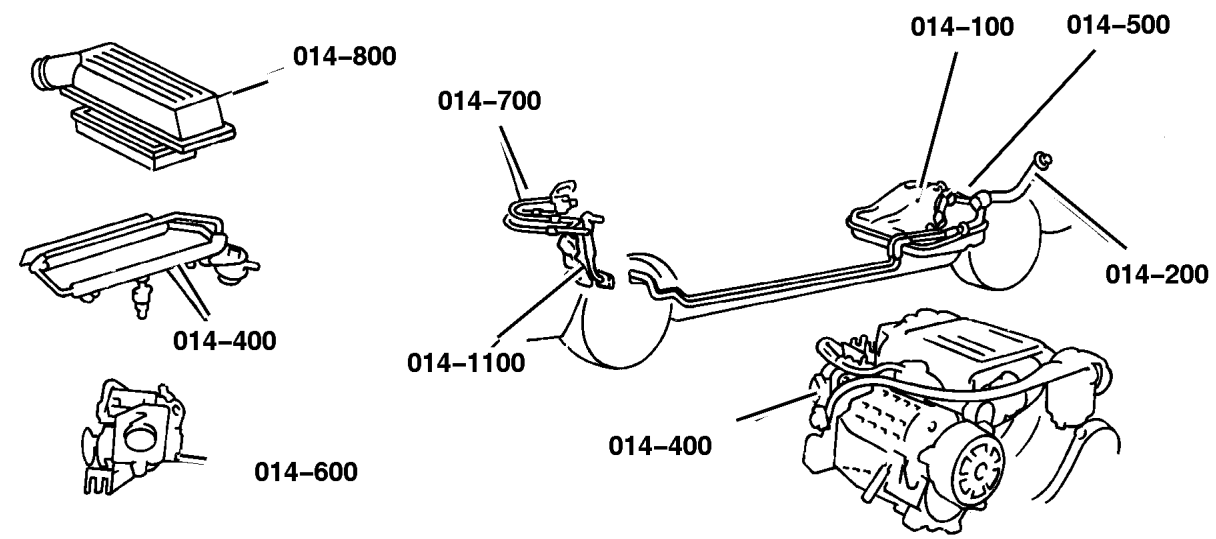
Heat Shields, 2.4 (ED1), 4.0 (ERH) Fig. 011-210



<p>011-100 Exhaust System</p> 	<p>011-200 Heat Shields</p> 		
--	--	--	--

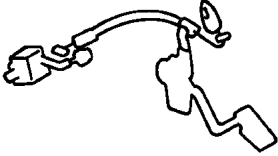

Group – 014



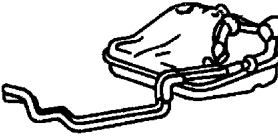
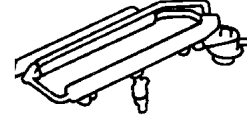
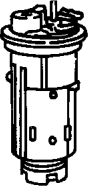

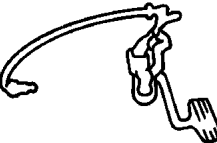
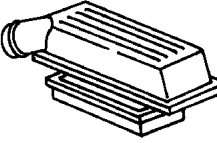
Fuel



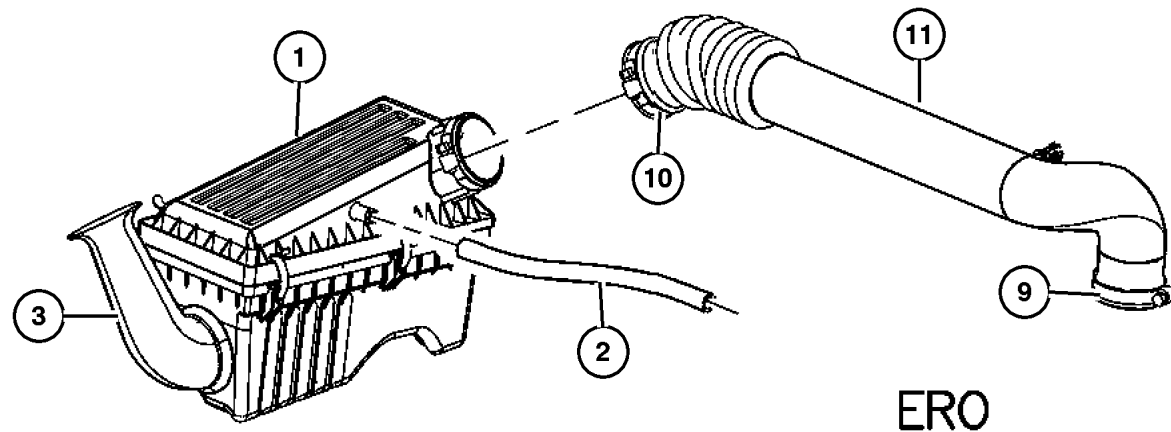
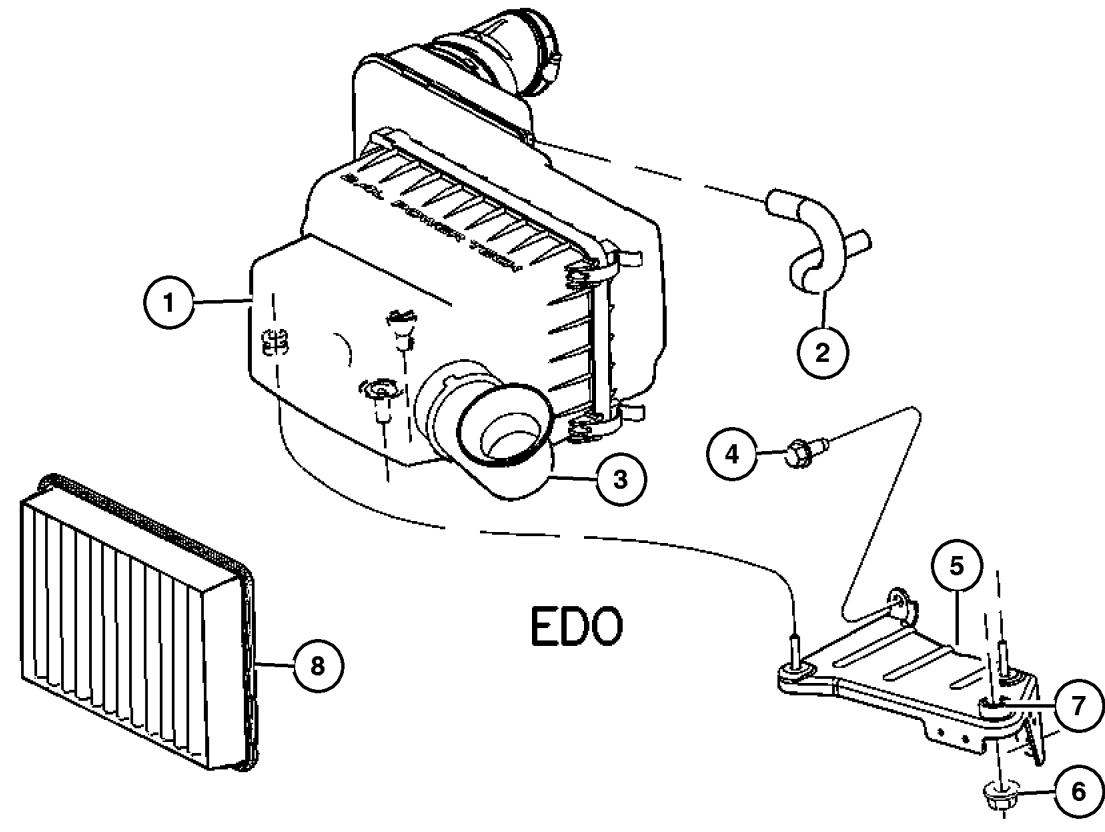
Group – 014

Fuel

<p>014-1000 Speed Control</p> 	<p>014-1100 Accelerator Pedal</p> 		
--	--	--	--

<p>014-100 Tank, Fuel</p> 	<p>014-200 Fuel Tank Filler Tube</p> 	<p>014-300 Fuel Lines</p> 	<p>014-400 Fuel Rail</p> 
<p>014-500 Fuel Pump and Sending Unit</p> 	<p>014-600 Throttle Body</p> 	<p>014-700 Throttle Controls</p> 	<p>014-800 Air Cleaner</p> 

**Air Cleaner, 2.4 (ED1), 4.0 (ERH)
Figure 014-810**



ITEM	PART NUMBER	QTY	LINE	SERIES	BODY	ENGINE	TRANS	TRIM	DESCRIPTION
NOTE: ED1=All 2.4L Gas Engines ER0=All 4.0L Engines									
1	5161 780AA	1				ER0			BODY, Air Cleaner
	53013 702AA	1			77	ED0			
2	53013 093AA	1				ED0			TUBE, Crankcase Vent To Air Cleaner
	53030 615AC	1				ER0			
3	5161 781AA	1				ER0			INLET, Fresh Air
	53013 502AA	1			77	ED0			
4	6503 692	2				ED0			SCREW, M8-1.25
5	53013 473AA	1				ED0			BRACKET, Air Cleaner
6	6501 483	1				ED0			NUT, Hex Flange, M8x1.25
7	53013 357AA	1				ED0			GROMMET, Air Cleaner
8	4797 777AC	1				ER0			FILTER, Air
9	53013 475AA	1			77	ED0			CLAMP, Hose to Throttle Body
	53013 778AA	1				ER0			
10	53013 476AA	1			77	ED0			CLAMP, Hose to Air Cleaner
	53013 777AA	1				ER0			
11	53030 611AC	1				ER0			HOSE, Air Cleaner
-12	6501 400	3				ER0			SCREW, Flange Head, M10x1.5x65, Air Cleaner Assy Mounting

JEEP WRANGLER (TJ)

SERIES	LINE	BODY	ENGINE	TRANSMISSION
H = Sport	J = Wrangler 4WD	77 = 93.4 WB	ED1, ED0 = 2.4L DOHC	DGG, DGD = 32RH 3 Spd. Auto.
L = SE	U = Wrangler 4WD (RHD)		ERH = 4.0L Power Tech	DDD = 5 Speed HD Manual
M = X				DG0 = Auto. Trans.
P = Sahara				DBB = Manual Trans.
S = Rubicon				DDK = 5 Speed Manual

AR = Use as required - = Non illustrated part # = New this model year

August 27, 2004

Group – 019

Steering

GROUP 19 - Steering

Illustration Title

Group-Fig. No.

Steering Wheel

Wheel, Steering Fig. 019-110

Steering Column

Column, Steering Upper and Lower Fig. 019-210

Steering Gear

Gear, Power Steering Fig. 019-310

Steering Linkage

Linkage and Damper Fig. 019-410

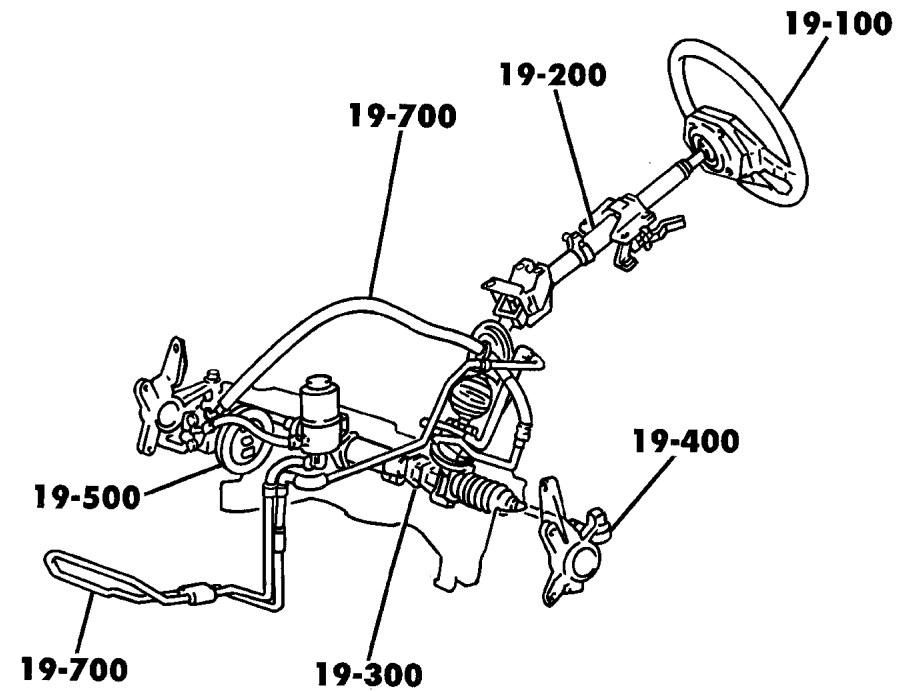
Power Steering Pump


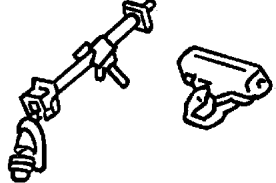
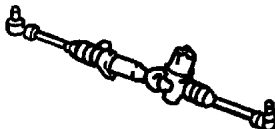
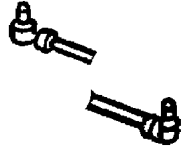
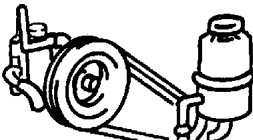

Pump, Power Steering Fig. 019-510

Power Steering Hoses

Hoses and Reservoir, 2.4L Engine [ED0] Fig. 019-710

Hoses and Reservoir, 4.0L Engine [ER0] Fig. 019-720



<p>019-100 Steering Wheel</p> 	<p>019-200 Steering Column</p> 	<p>019-300 Steering Gear</p> 	<p>019-400 Steering Linkage</p> 
<p>019-500 Power Steering Pump</p> 	<p>019-700 Power Steering Hoses</p> 		

**Transmission Assembly [DG6]
Figure 42RLE-110**

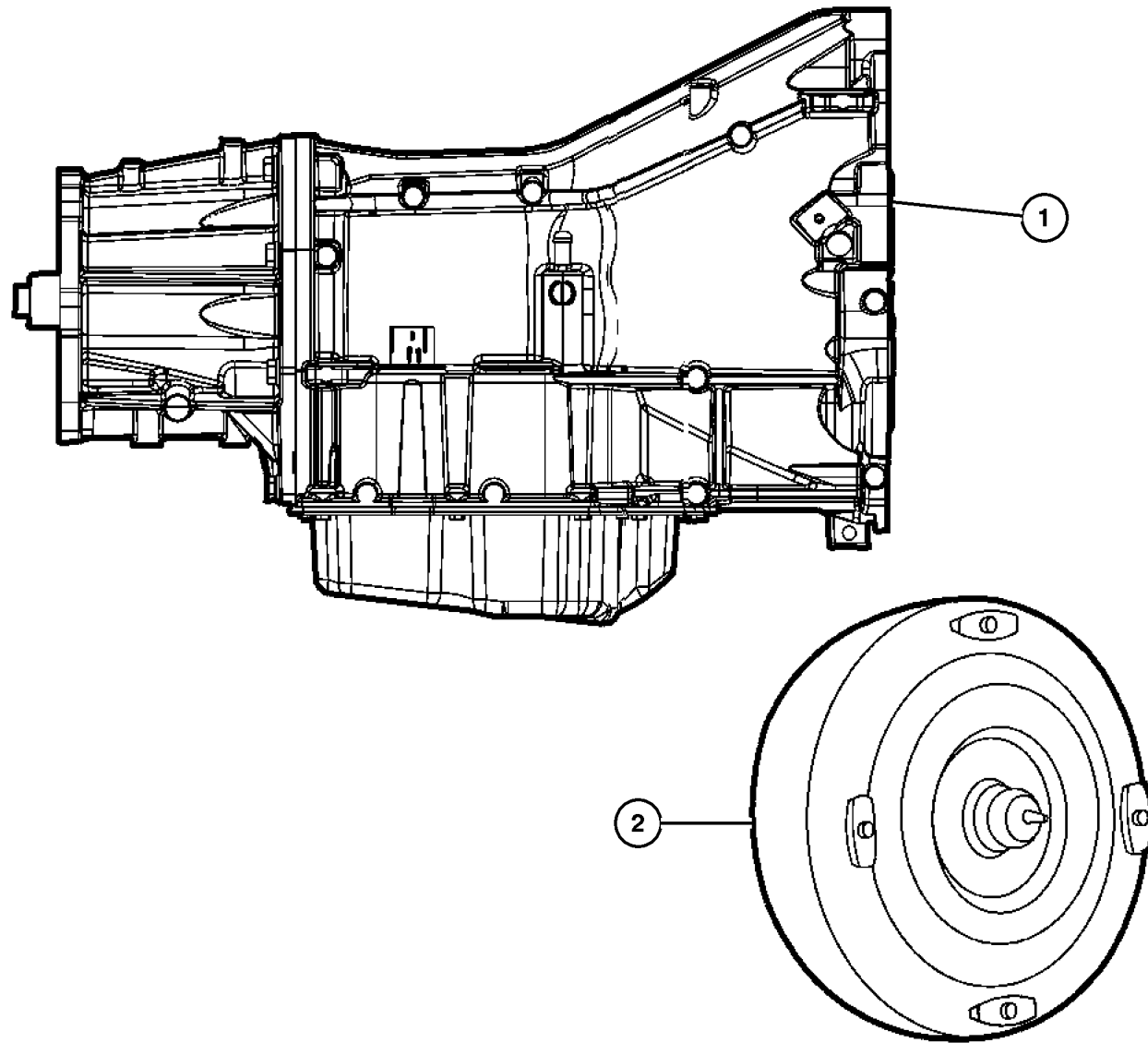
ITEM	PART NUMBER	QTY	LINE	SERIES	BODY	ENGINE	TRANS	TRIM	DESCRIPTION
------	-------------	-----	------	--------	------	--------	-------	------	-------------

NOTE: Sales Codes:

[DG6]=Four Speed Automatic Transmission - 42RLE

[ER0]=All 4.0L Inline Six Engines

1									TRANSMISSION PACKAGE
	5161 495AA	1				ER0			
	5161 497AA	1				ED0			
2	5093 944AB	1				ER0			CONVERTER PACKAGE, Torque



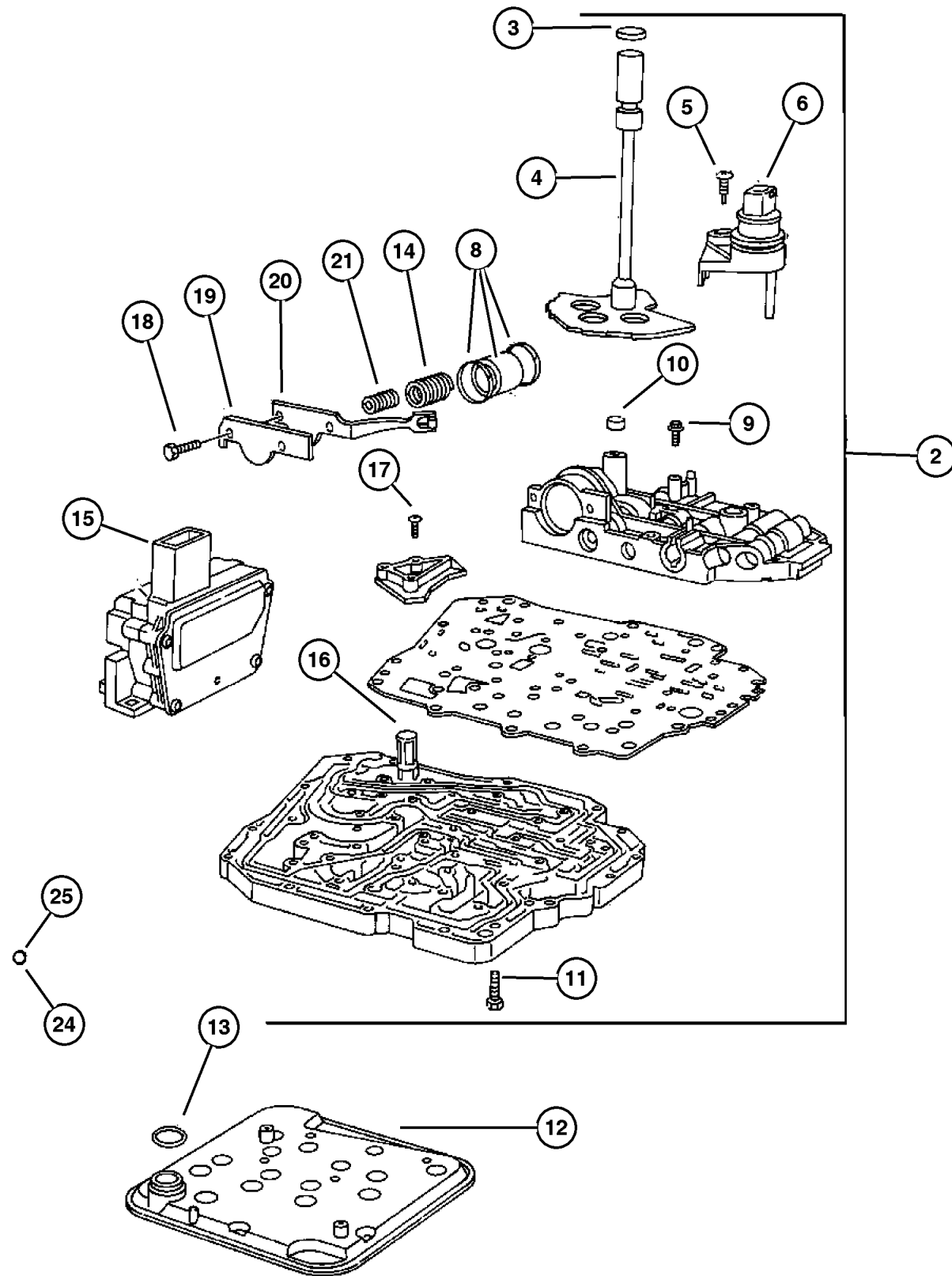
JEEP WRANGLER (TJ)

SERIES	LINE	BODY	ENGINE	TRANSMISSION
H = Sport	J = Wrangler 4WD	77 = 93.4 WB	ED1, ED0 = 2.4L DOHC	DGG, DGD = 32RH 3 Spd. Auto.
L = SE	U = Wrangler 4WD (RHD)		ERH = 4.0L Power Tech	DDD = 5 Speed HD Manual
M = X				DG0 = Auto. Trans.
P = Sahara				DBB = Manual Trans.
S = Rubicon				DDK = 5 Speed Manual

AR = Use as required - = Non illustrated part # = New this model year

August 27, 2004

Valve Body [DG6] [DG6]
Figure 42RLE-710



ITEM	PART NUMBER	QTY	LINE	SERIES	BODY	ENGINE	TRANS	TRIM	DESCRIPTION
NOTE: Gasket Package includes all Valve Body Seals and Transmission Filter Sales Codes: [DG6]=4 Speed Automatic Transmission - 42RLE [ER0]=All 4.0L Inline 6 Engines									
-1	5101 917AB	1				ER0			GASKET AND SEAL PACKAGE, Valve Body
2	52854 169AA	1				ER0			VALVE BODY
3	4412 836	1				ER0			SEAL, Manual Valve Lever
4	4800 280AA	1				ER0			LEVER, Manual Valve
5	6506 245AA	1				ER0			SCREW
6	4659 677AC	1				ER0			SENSOR, Manual Valve Lever
-7	4659 678	1				ER0			SEAL, Manual Valve Position Sensor
8	4446 620AC	1				ER0			PISTON, 2nd and 4th Accumulator
9	6500 215	28				ER0			SCREW AND WASHER, Pan Head, M5x.8x25
10	4412 291	1				ER0			SEAL, Clutch Feed
11	6500 215	2				ER0			SCREW AND WASHER, Pan Head, M5x.8x25
12	52852 913AB	1				ER0			FILTER, Transmission Oil, Serviced With # 1
13	6032 780	1				ER0			O RING, Trans Oil Filter
14	4471 880	1				ER0			SPRING, Accumulator
15	4800 171AA	1				ER0			SOLENOID, Transmission
16	3878 313	1				ER0			SCREEN, Transmission Regulator Valve
17	6500 215	2				ER0			SCREW AND WASHER, Pan Head, M5x.8x25
18	6503 232	7				ER0			SCREW, Pan Head, M5 x 0.8 x 12.60
19	4431 711	1				ER0			RETAINER, Transmission 2nd and 4th Accumulator Piston
20	4431 710	1				ER0			DETENT, Valve Body
21	4471 880	1				ER0			SPRING, Accumulator
-22	6100 994	1				ER0			DOWEL, M6x16
-23	4659 081	1				ER0			VALVE, Transmission Regulator
24	5211 8261	4				ER0			BALL, Check
25	0104 918	1				ER0			BALL, Valve Body Check

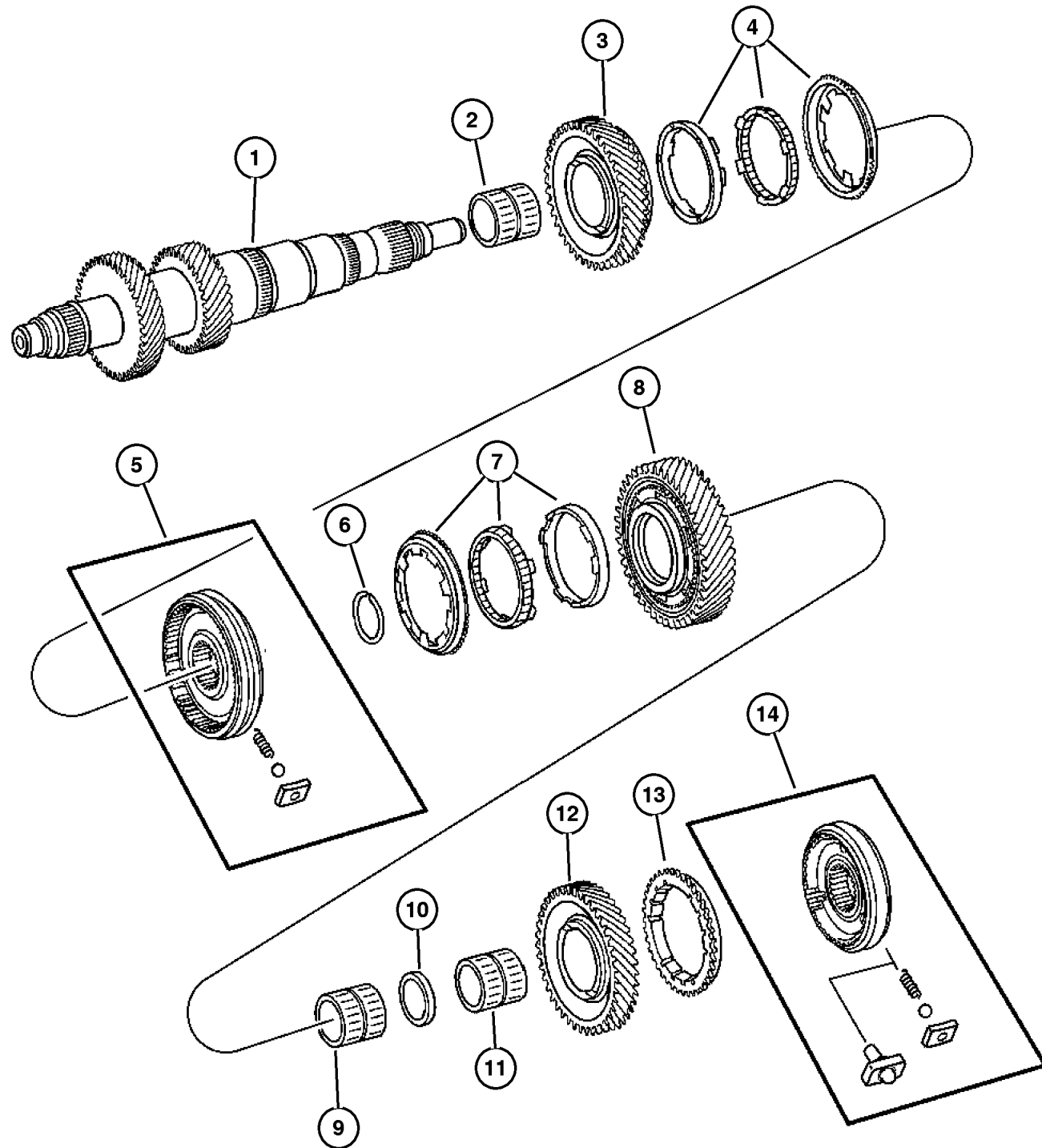
JEEP WRANGLER (TJ)

SERIES	LINE	BODY	ENGINE	TRANSMISSION
H = Sport	J = Wrangler 4WD	77 = 93.4 WB	ED1, ED0 = 2.4L DOHC	DGG, DGD = 32RH 3 Spd. Auto.
L = SE	U = Wrangler 4WD (RHD)		ERH = 4.0L Power Tech	DDD = 5 Speed HD Manual
M = X				DG0 = Auto. Trans.
P = Sahara				DBB = Manual Trans.
S = Rubicon				DDK = 5 Speed Manual

AR = Use as required - = Non illustrated part # = New this model year

August 27, 2004

**Main Shaft [DEH] [DEH]
Figure NSG370-420**



ITEM	PART NUMBER	QTY	LINE	SERIES	BODY	ENGINE	TRANS	TRIM	DESCRIPTION
NOTE:									
Sales Codes:									
[DEH]=6 Speed Manual Transmission - [NSG370]									
1	5159 163AA	1				ER0			MAINSHAFT, Transmission
		1				ED0			
2	5096 453AA	1				ER0			BEARING, 05096453AA & 05096459AA
		1				ED0			
3	5101 448AA	1				ER0			GEAR, Second
		1				ED0			
4	5099 259AA	2				ER0			SYNCHRONIZER, Second Gear
		2				ED0			
5	5161 004AA	1				ER0			SYNCHRONIZER, First and Second
		1				ED0			
6									SNAP RING, (NOT SERVICED) (Not Serviced)
7									SYNCHRONIZER, (NOT SERVICED) (Not Serviced)
8	5101 449AA	1				ER0			GEAR, First
		1				ED0			
9	5096 452AA	1				ER0			BEARING, Needle
		1				ED0			
10	5159 168AA	1				ER0			WASHER, Thrust
		1				ED0			
11	5096 359AA	1				ER0			BEARING, Needle
		1				ED0			
12	5134 496AA	1				ER0			GEAR, Reverse
		1				ED0			
13	5134 500AA	1				ER0			RING, RING-SYNCHRONIZER
		1				ED0			
14									SYNCHRONIZER, Reverse

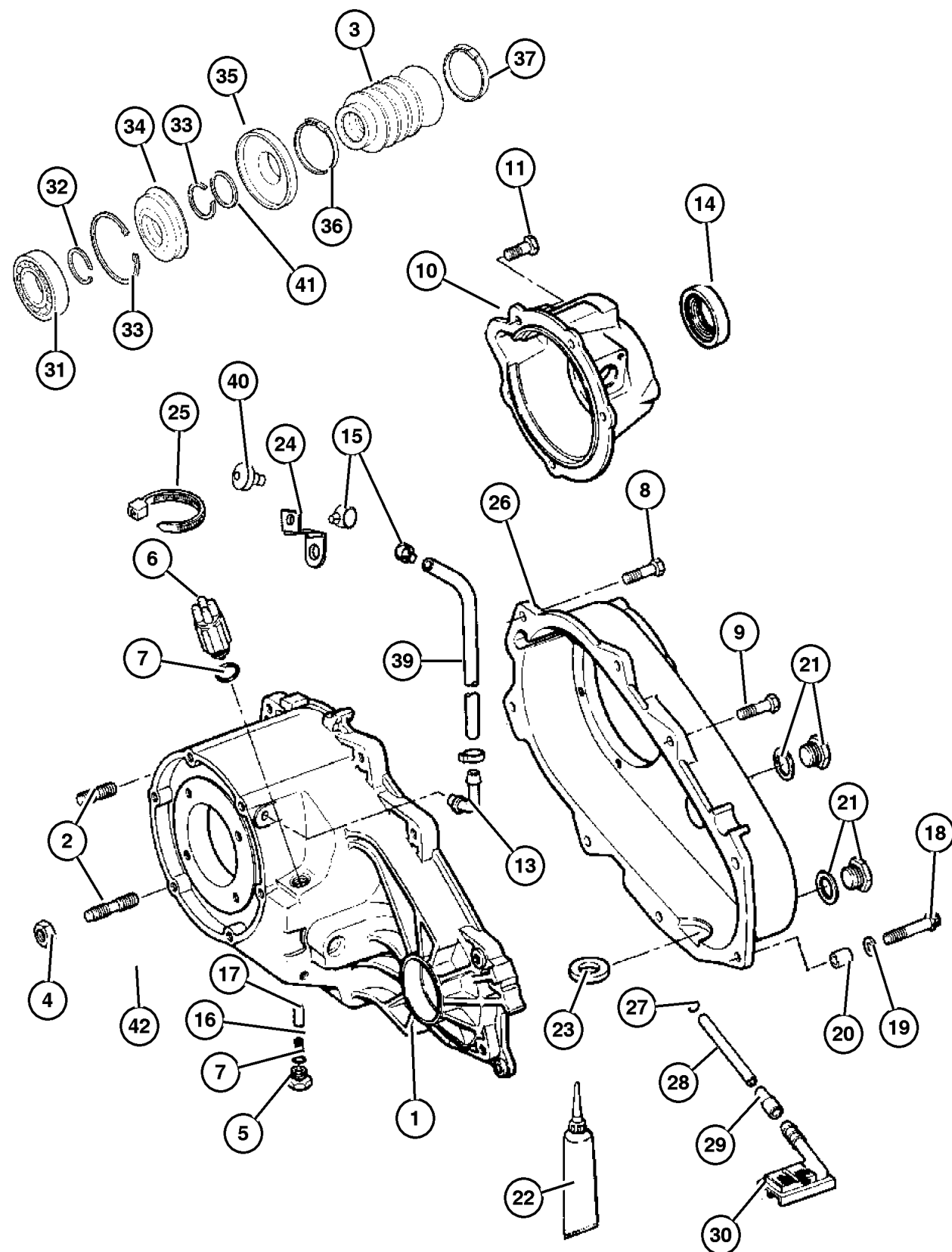
JEEP WRANGLER (TJ)

SERIES	LINE	BODY	ENGINE	TRANSMISSION
H = Sport	J = Wrangler 4WD	77 = 93.4 WB	ED1, ED0 = 2.4L DOHC	DGG, DGD = 32RH 3 Spd. Auto.
L = SE	U = Wrangler 4WD (RHD)		ERH = 4.0L Power Tech	DDD = 5 Speed HD Manual
M = X				DG0 = Auto. Trans.
P = Sahara				DBB = Manual Trans.
S = Rubicon				DDK = 5 Speed Manual

AR = Use as required - = Non illustrated part # = New this model year

August 27, 2004

Case and Related Parts, Command Trac [DHN]
Figure 231-210



ITEM	PART NUMBER	QTY	LINE	SERIES	BODY	ENGINE	TRANS	TRIM	DESCRIPTION
29									CONNECTOR, Oil Tube Pickup
	4338 944	1							
		1							
30									FILTER, Transfer Case Oil
	4338 943	1							
		1							
31									BEARING
	4338 892	1							
		1							
32									SNAP RING
	4798 116	1							
		1							
33									SNAP RING
	J813 4488	1							
		1							
34									SEAL, Output Shaft
	4798 117	1							
		1							
35	5016 615AA	1							SLINGER, Oil
36									CLAMP, Boot
	4798 122	1							
		1							
37									CLAMP, Boot
	4798 121	1							
	5017 823AA	1							
-38	5017 819AA	1							DAMPER, Transfer Case
39	52105 882AA	1							HOSE, vent, Transfer Case Vent Hose To Breather Tube
40	4213 328	1							VENT, Cap
41									WASHER, Flat
	S243 6163	1							
		1							
42	6500 318	1							BOLT

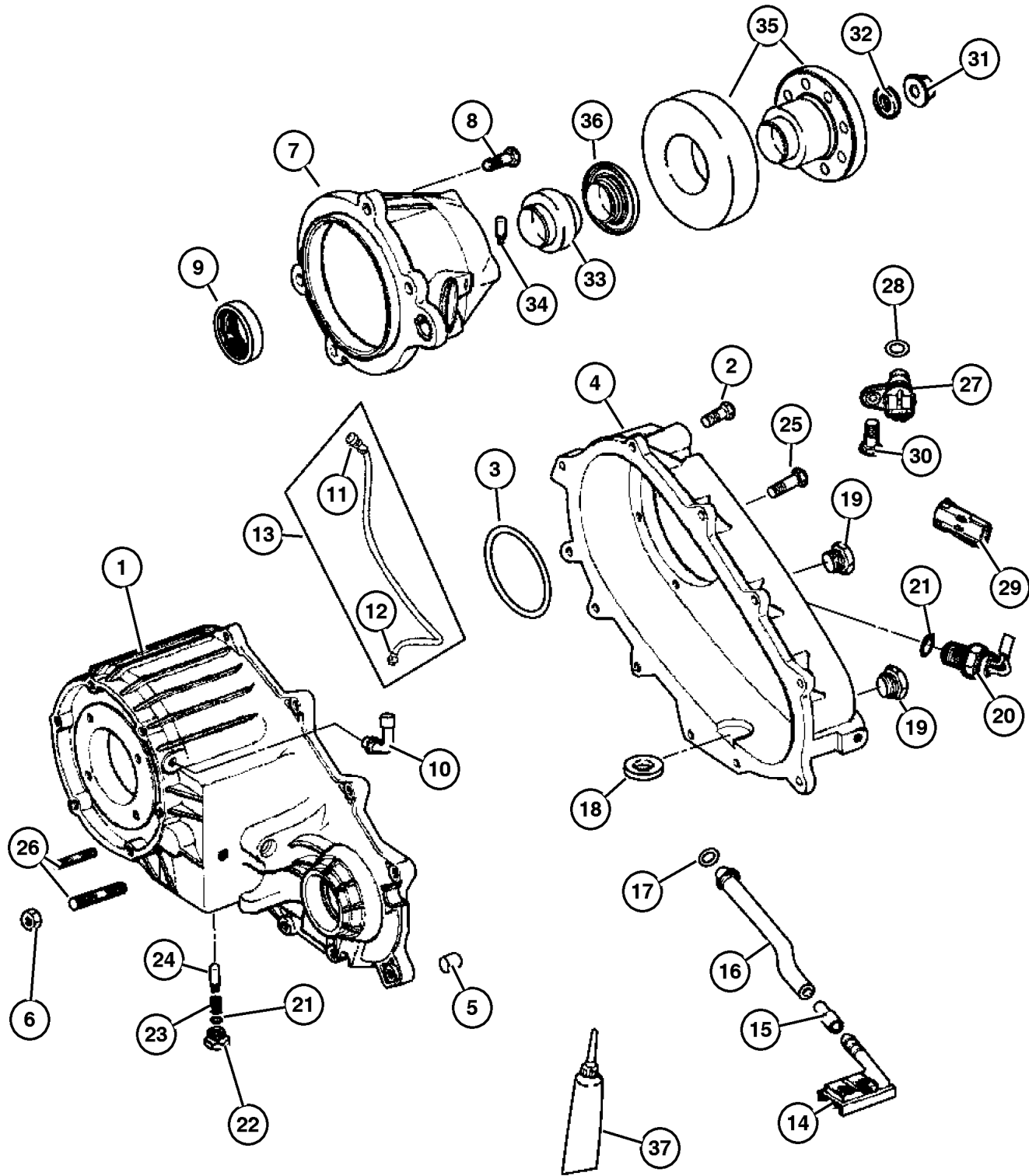
JEEP WRANGLER (TJ)

SERIES	LINE	BODY	ENGINE	TRANSMISSION
H = Sport	J = Wrangler 4WD	77 = 93.4 WB	ED1, ED0 = 2.4L DOHC	DGG, DGD = 32RH 3 Spd. Auto.
L = SE	U = Wrangler 4WD (RHD)		ERH = 4.0L Power Tech	DDD = 5 Speed HD Manual
M = X				DG0 = Auto. Trans.
P = Sahara				DBB = Manual Trans.
S = Rubicon				DDK = 5 Speed Manual

AR = Use as required - = Non illustrated part # = New this model year

August 27, 2004

Case Transfer and Related Parts [DHW]
Figure 241-210



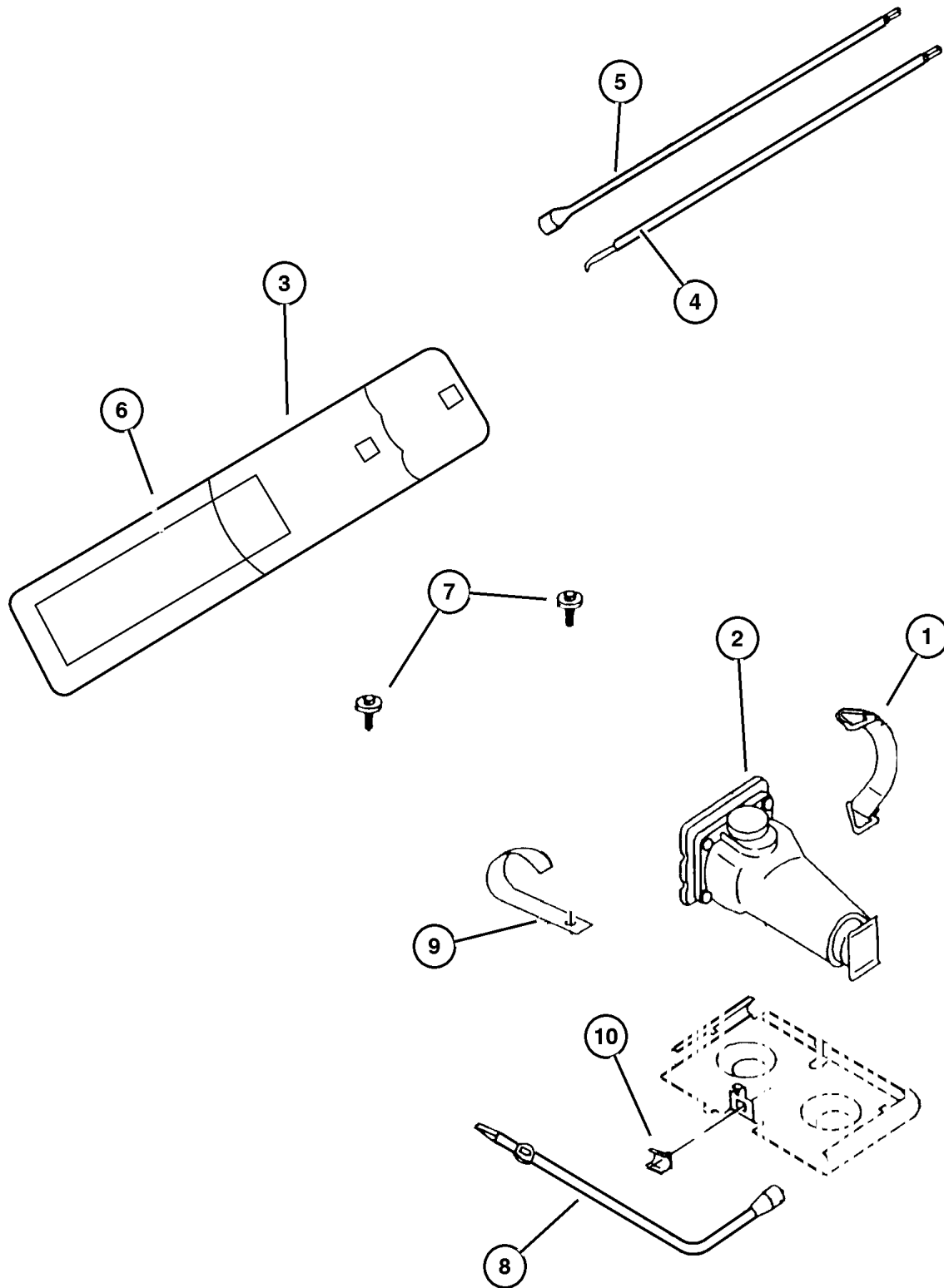
ITEM	PART NUMBER	QTY	LINE	SERIES	BODY	ENGINE	TRANS	TRIM	DESCRIPTION
34	4761 140	1							PIN, Mainshaft
35	5093 604AA	1							YOKE, Transfer Case Output, Rear
36	5093 605AA	1							SLEEVE, Wear
37	5010 884AA	1							SEALANT, RTV

JEEP WRANGLER (TJ)				
SERIES	LINE	BODY	ENGINE	TRANSMISSION
H = Sport	J = Wrangler 4WD	77 = 93.4 WB	ED1, ED0 = 2.4L DOHC	DGG, DGD = 32RH 3 Spd. Auto.
L = SE	U = Wrangler 4WD (RHD)		ERH = 4.0L Power Tech	DDD = 5 Speed HD Manual
M = X				DG0 = Auto. Trans.
P = Sahara				DBB = Manual Trans.
S = Rubicon				DDK = 5 Speed Manual

AR = Use as required - = Non illustrated part # = New this model year

August 27, 2004

Jack And Storage
Figure 022-310



ITEM	PART NUMBER	QTY	LINE	SERIES	BODY	ENGINE	TRANS	TRIM	DESCRIPTION
1	5203 8254	1							STRAP, Jack Storage
2	52058 912AC	1							JACK
3	52059 162AD	1							BAG, Jack Tool Storage
4	52058 905AB	1							EXTENSION, Jack Handle
5	52088 133AB	1							HANDLE, Jack
6									LABEL, Serviced in #3, (NOT SERVICED) (Not Serviced)
7	6504 616	2							SCREW, M4.2x1.41
8	52058 907AB	1							WRENCH, Wheel Lug Nut
9	5205 9047	2							STRAP, Jack Tool Storage
10	6504 697	1							CLIP, Lug Wrench
-11	52110 391AB	1							LABEL, Jack Caution
-12	52059 185AA	1							CLIP

JEEP WRANGLER (TJ)

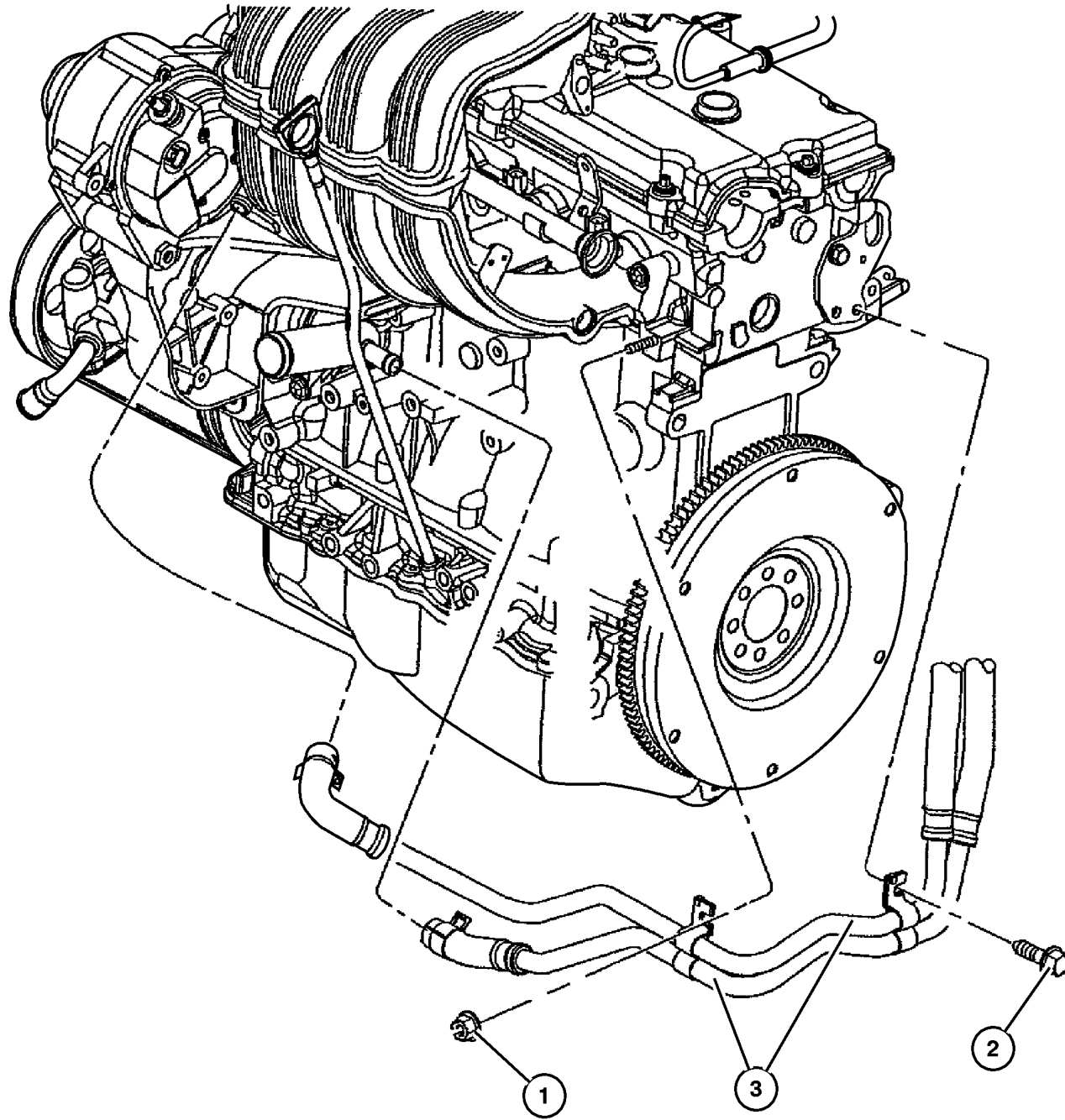
SERIES	LINE	BODY	ENGINE	TRANSMISSION
H = Sport	J = Wrangler 4WD	77 = 93.4 WB	ED1, ED0 = 2.4L DOHC	DGG, DGD = 32RH 3 Spd. Auto.
L = SE	U = Wrangler 4WD (RHD)		ERH = 4.0L Power Tech	DDD = 5 Speed HD Manual
M = X				DG0 = Auto. Trans.
P = Sahara				DBB = Manual Trans.
S = Rubicon				DDK = 5 Speed Manual

AR = Use as required - = Non illustrated part # = New this model year

August 27, 2004

Hoses, Heater 2.4L Engine
Figure 024-210

ITEM	PART NUMBER	QTY	LINE	SERIES	BODY	ENGINE	TRANS	TRIM	DESCRIPTION
1	6101 445	AR							NUT AND WASHER, Hex Nut-Coned Washer, M8 x 1.25
2	6505 178AA	1				ED0			SCREW, Hex Head
3	55037 591AE	1	J			ED0			TUBE & HOSE, Supply & Return, 55037591ad

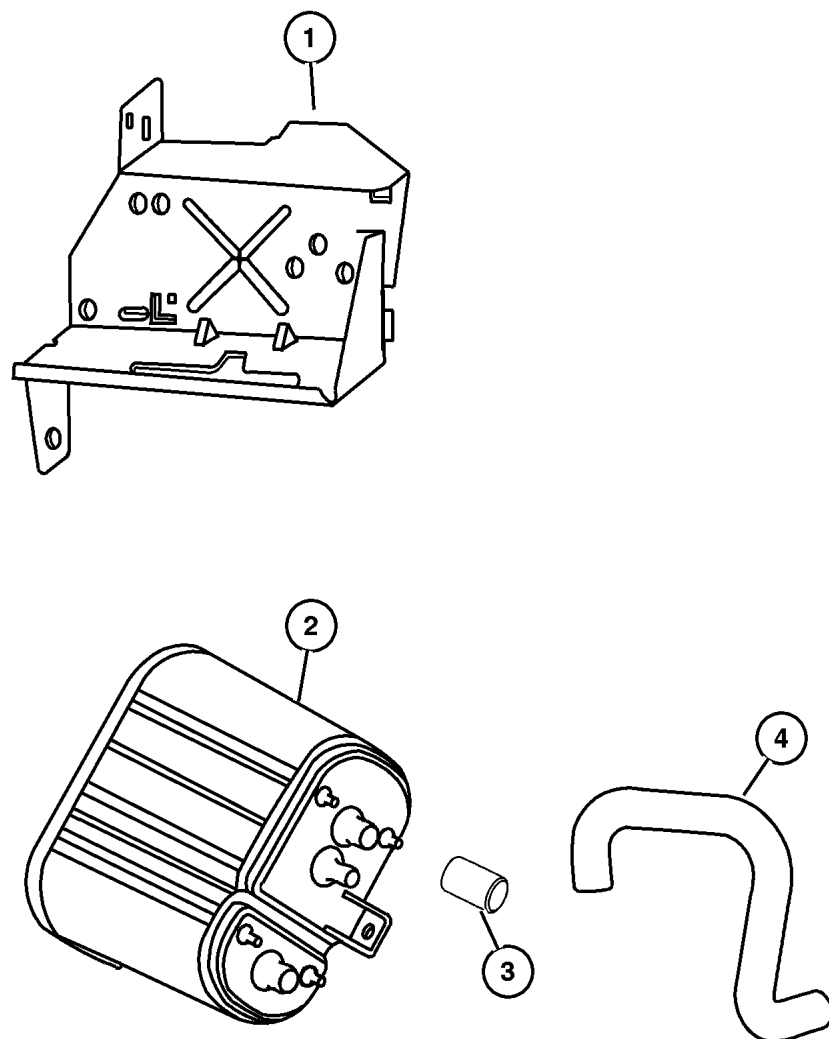


JEEP WRANGLER (TJ)				
SERIES	LINE	BODY	ENGINE	TRANSMISSION
H = Sport	J = Wrangler 4WD	77 = 93.4 WB	ED1, ED0 = 2.4L DOHC	DGG, DGD = 32RH 3 Spd. Auto.
L = SE	U = Wrangler 4WD (RHD)		ERH = 4.0L Power Tech	DDD = 5 Speed HD Manual
M = X				DG0 = Auto. Trans.
P = Sahara				DBB = Manual Trans.
S = Rubicon				DDK = 5 Speed Manual

AR = Use as required - = Non illustrated part # = New this model year

August 27, 2004

Vacuum Canister, 2.4 (ED1), 4.0 (ERH)
Figure 025-310



ITEM	PART NUMBER	QTY	LINE	SERIES	BODY	ENGINE	TRANS	TRIM	DESCRIPTION
Note:[ED1]= All 2.4 Gas Engines,[ERO]= All 4.0 Gas Engines.									
1	52059 627AB	1							BRACKET, Vapor Canister [NAS] [NA1]
2	52059 630AB	1							CANISTER, Vapor [NAS] [NA1]
3	52059 544AA	1							CAP, Vapor Canister [NAS] [NA1]
4	52059 628AA	1							HOSE, Canister to NVLD [NAS] [NA1]
-5	6101 447	4							NUT AND WASHER, M6x1.00, [M8X1.256101447] [NAS] Bracket to Body [NA1] Bracket to Body
-6	6503 951	4							STUD, M6X1.00X.250-14X30.00 [NAS] [NA1]
-7	5602 1384	2							CLIP, Wiring, Canister Wiring
-8	52059 631AA	1							HOSE, Flow Valve to Canister [NAS] [NA1]
-9	52059 637AB	1							HOSE, Filter to Canister
-10	6101 916	1							NUT, Hex Weld, M8x1.25 [NAS] [NA1]

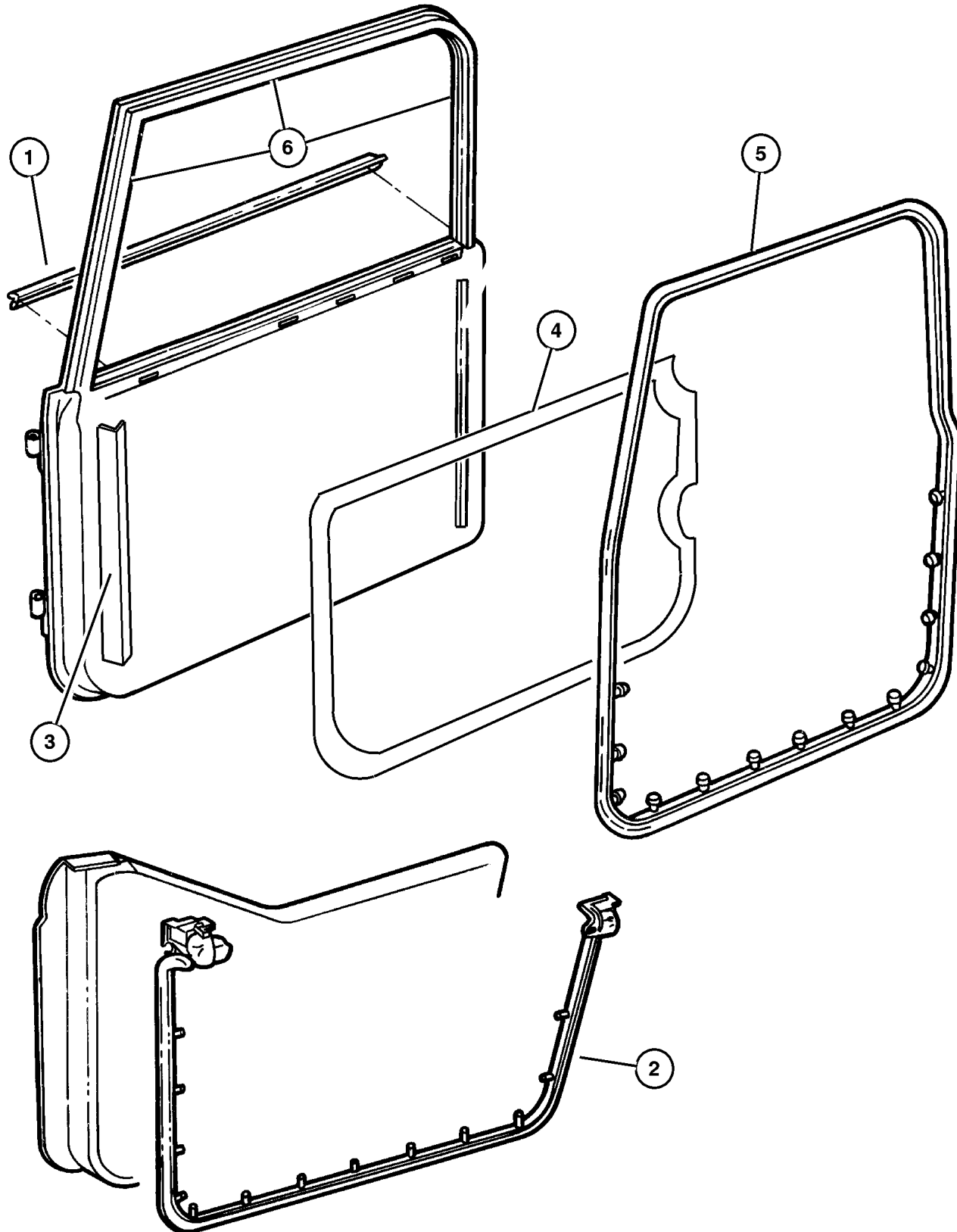
JEEP WRANGLER (TJ)				
SERIES	LINE	BODY	ENGINE	TRANSMISSION
H = Sport	J = Wrangler 4WD	77 = 93.4 WB	ED1, ED0 = 2.4L DOHC	DGG, DGD = 32RH 3 Spd. Auto.
L = SE	U = Wrangler 4WD (RHD)		ERH = 4.0L Power Tech	DDD = 5 Speed HD Manual
M = X				DG0 = Auto. Trans.
P = Sahara				DBB = Manual Trans.
S = Rubicon				DDK = 5 Speed Manual

AR = Use as required - = Non illustrated part # = New this model year

August 27, 2004

**Door Weatherstrips And Runs
Figure DTJ-610**

ITEM	PART NUMBER	QTY	LINE	SERIES	BODY	ENGINE	TRANS	TRIM	DESCRIPTION
1									WEATHERSTRIP, Door Belt
	55176 564AC	1							Right
	55176 565AC	1							Left
2									TEMPLATE PACKAGE, Weatherseal
	5017 010AB	1							Right
	5017 011AB	1							Left
3	55395 176AA	2							WEATHERSTRIP, Glass Channel Run, Front
4									WATERSHIELD, Front Door
	55175 786AH	1							Right
	55175 787AH	1							Left
5									TEMPLATE PACKAGE, Weatherseal, 05017462-3AD
	5017 462AF	1							Right
	5017 463AF	1							Left
6	55395 174AA	2							WEATHERSTRIP, Glass Channel Run



JEEP WRANGLER (TJ)

SERIES	LINE	BODY	ENGINE	TRANSMISSION
H = Sport	J = Wrangler 4WD	77 = 93.4 WB	ED1, ED0 = 2.4L DOHC	DGG, DGD = 32RH 3 Spd. Auto.
L = SE	U = Wrangler 4WD (RHD)		ERH = 4.0L Power Tech	DDD = 5 Speed HD Manual
M = X				DG0 = Auto. Trans.
P = Sahara				DBB = Manual Trans.
S = Rubicon				DDK = 5 Speed Manual

AR = Use as required - = Non illustrated part # = New this model year

August 27, 2004

Front Vinyl, Trim Code [H6]
Figure ITJ-510

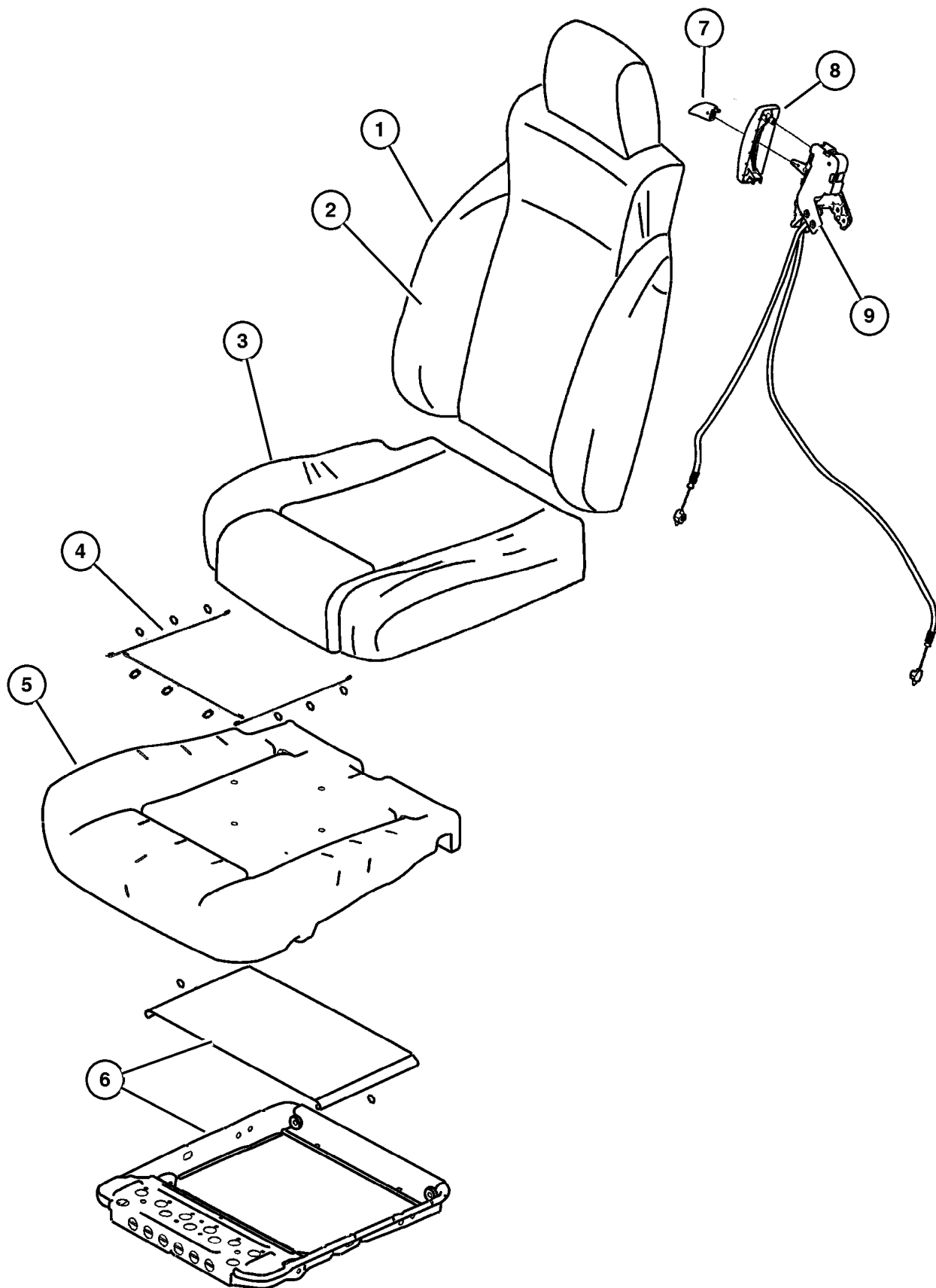
ITEM	PART NUMBER	QTY	LINE	SERIES	BODY	ENGINE	TRANS	TRIM	DESCRIPTION
1									BACK, Front Seat
	ZG94 1DVAA	1	U		77			H6	[DV], Right
		1	J		77			H6	[DV], Right
	ZG94 1J3AA	1	J		77			H6	[J3], Right
		1	U		77			H6	[J3], Right
	ZG95 1DVAA	1	U		77			H6	[DV], Left
		1	J		77			H6	[DV], Left
	ZG95 1J3AA	1	J		77			H6	[J3], Left
		1	U		77			H6	[J3], Left
2									COVER, Front Seat Back
	ZG92 1DVAA	1	J		77			H6	[DV], Right
		1	U		77			H6	[DV], Right
	ZG92 1J3AA	1	J		77			H6	[J3], Right
		1	U		77			H6	[J3], Right
	ZG93 1DVAA	1	U		77			H6	[DV], Left
		1	J		77			H6	[DV], Left
	ZG93 1J3AA	1	J		77			H6	[J3], Left
		1	U		77			H6	[J3], Left
3									COVER, Front Seat Cushion
	XU20 1DVAA	1	U		77			H6	[DV], Right
		1	J		77			H6	[DV], Right
	XU20 1J3AA	1	J		77			H6	[J3], Right
		1	U		77			H6	[J3], Right
	XU21 1DVAA	1	J		77			H6	[DV], Left
		1	U		77			H6	[DV], Left
	XU21 1J3AA	1	J		77			H6	[J3], Left
		1	U		77			H6	[J3], Left
4									WIRE KIT, Trimming
	5093 573AA	2	J		77			H6	
		2	U		77			H6	
5									FOAM, Seat Cushion
	5093 574AA	1	J		77			H6	Right
		1	U		77			H6	Right
	5093 575AA	1	U		77			H6	Left
		1	J		77			H6	Left
6									FRAME, Front Seat
	5093 572AA	2	J		77			H6	
		2	U		77			H6	
7									KNOB, Seat Back Latch
	5093 667AA	1	J		77			H6	
		1	U		77			H6	
8									BEZEL, Seat Release

JEEP WRANGLER (TJ)

SERIES	LINE	BODY	ENGINE	TRANSMISSION
H = Sport	J = Wrangler 4WD	77 = 93.4 WB	ED1, ED0 = 2.4L DOHC	DGG, DGD = 32RH 3 Spd. Auto.
L = SE	U = Wrangler 4WD (RHD)		ERH = 4.0L Power Tech	DDD = 5 Speed HD Manual
M = X				DG0 = Auto. Trans.
P = Sahara				DBB = Manual Trans.
S = Rubicon				DDK = 5 Speed Manual

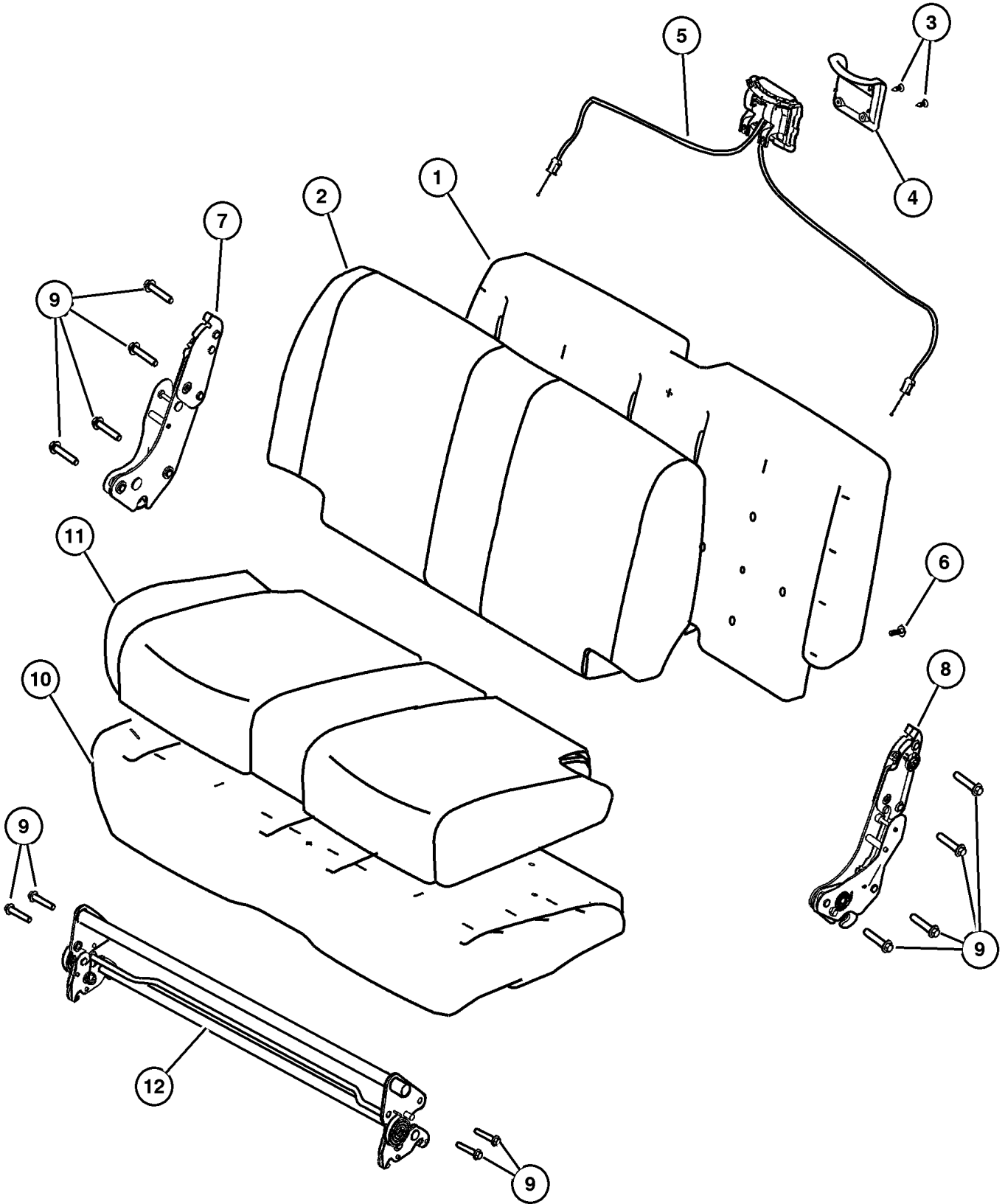
AR = Use as required - = Non illustrated part # = New this model year

August 27, 2004



Rear, Cloth, Trim Code [P5]
Figure ITJ-620

ITEM	PART NUMBER	QTY	LINE	SERIES	BODY	ENGINE	TRANS	TRIM	DESCRIPTION
	5093 670AA	1	U		77			P5	
		1	J		77, 78			P5	



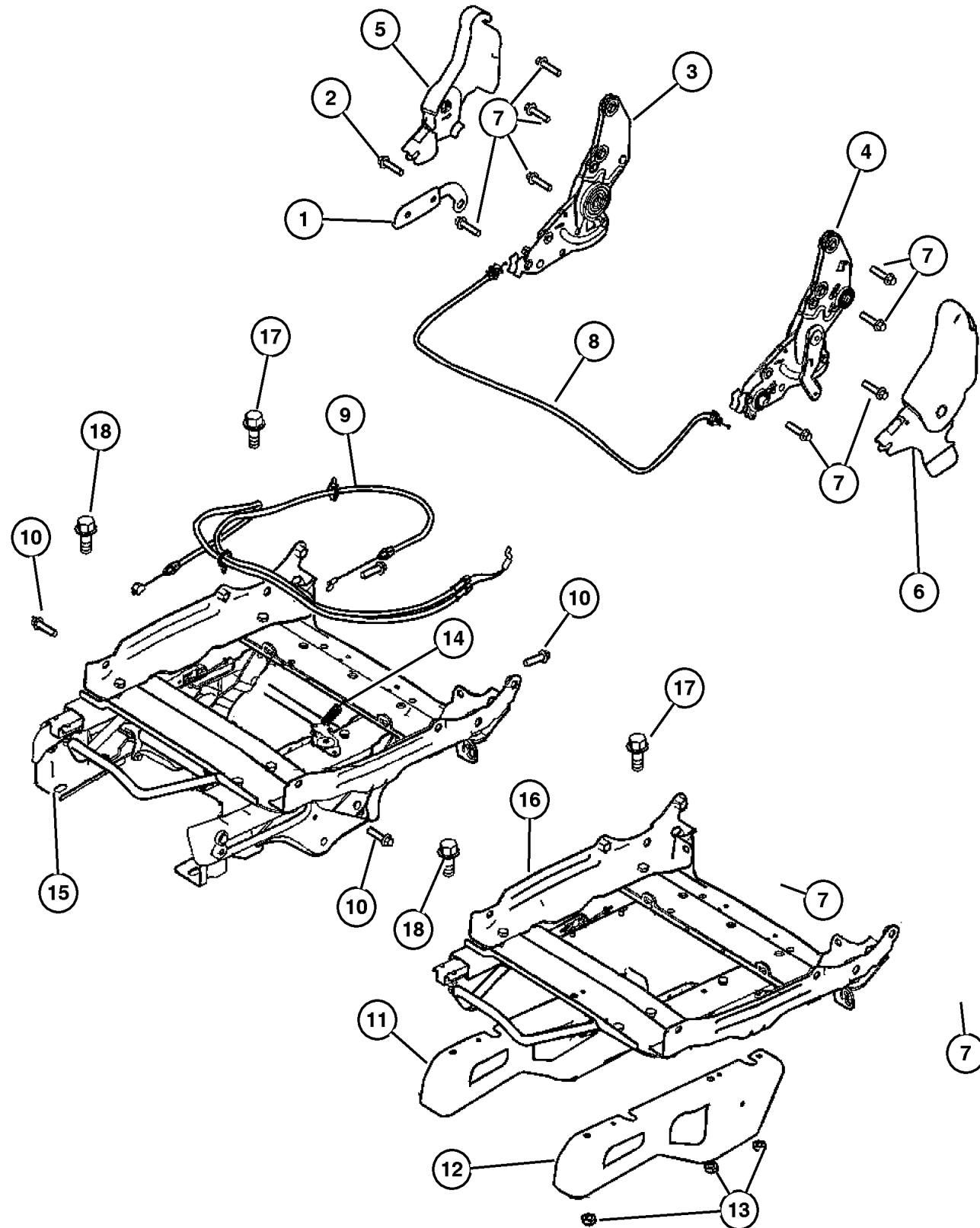
JEEP WRANGLER (TJ)

SERIES	LINE	BODY	ENGINE	TRANSMISSION
H = Sport	J = Wrangler 4WD	77 = 93.4 WB	ED1, ED0 = 2.4L DOHC	DGG, DGD = 32RH 3 Spd. Auto.
L = SE	U = Wrangler 4WD (RHD)		ERH = 4.0L Power Tech	DDD = 5 Speed HD Manual
M = X				DG0 = Auto. Trans.
P = Sahara				DBB = Manual Trans.
S = Rubicon				DDK = 5 Speed Manual

AR = Use as required - = Non illustrated part # = New this model year

August 27, 2004

Seat Assemblies, Adjusters, Recliners
Figure ITJ-810



ITEM	PART NUMBER	QTY	LINE	SERIES	BODY	ENGINE	TRANS	TRIM	DESCRIPTION
	5093 674AA	1	J		77			P5	Export,Right
		1	U		77			P5	Export,Right
	5104 691AA	1	U		77			P5	Postal Vehicle, Left
	5093 664AA	1	J		77, 78			P5	Domestic, Right
		1	J		77			Q5	
	5093 674AA	1	J		77			S5	Export,Right
		1	U		77			S5	Export,Right
	5093 664AA	1	J		78			S5	
16									ADJUSTER, Manual Seat, Without Easy Entry
	5093 675AA	1	U		77			H6	Export,Left
		1	J		77			H6	Export,Left
	5093 665AA	1	J		77			H6	Domestic, Left
	5093 675AA	1	U		77			P5	Export,Left
		1	J		77			P5	Export,Left
		1	U		77			S5	Export,Left
		1	J		77			S5	Export,Left
17	J400 6832	1							BOLT, Pan Head, .437-20x1.375, Driver seat to Floor Pan
18	6500 664	6							SCREW AND WASHER, Hex Head, M8x1.25x35

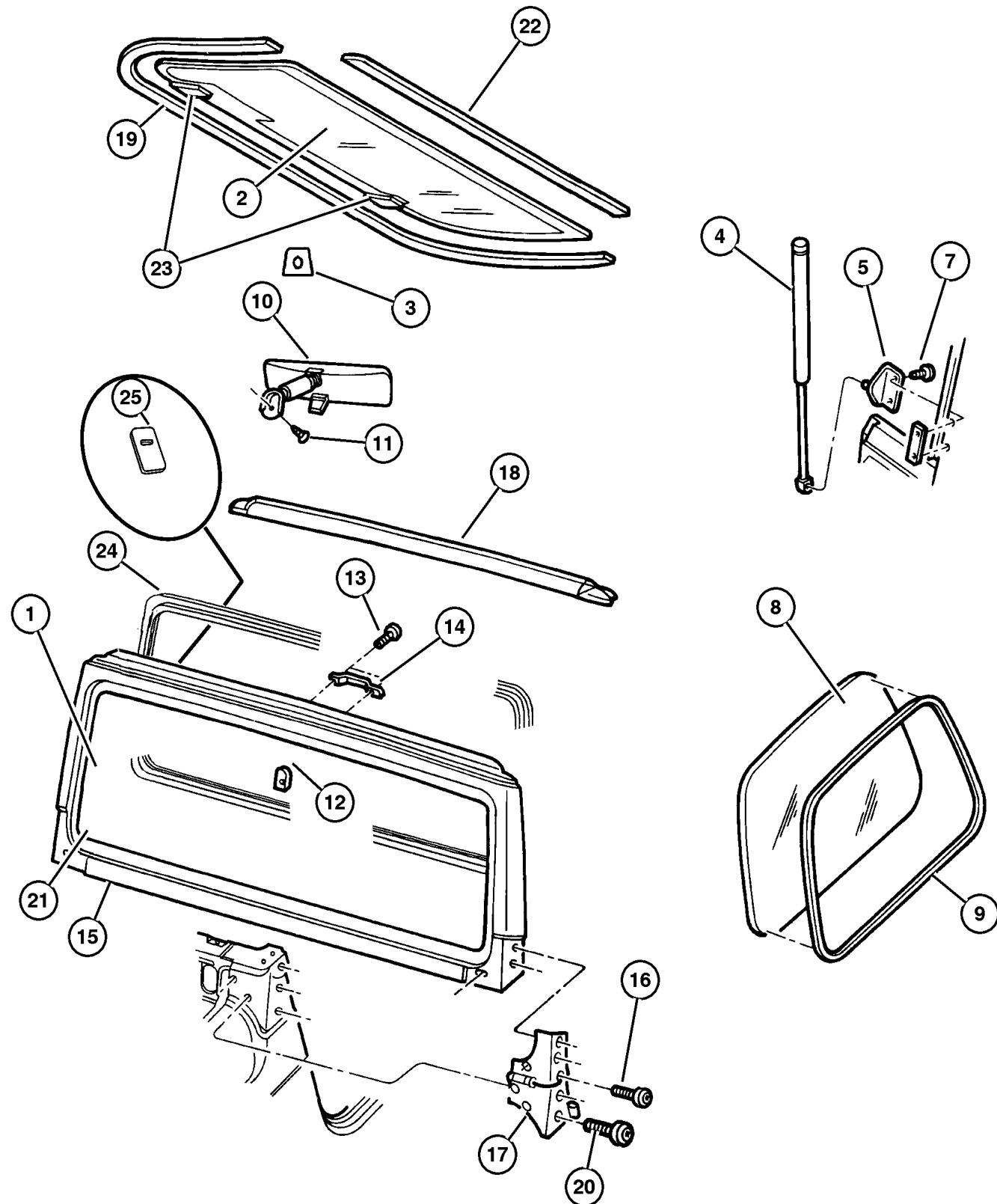
JEEP WRANGLER (TJ)

SERIES	LINE	BODY	ENGINE	TRANSMISSION
H = Sport	J = Wrangler 4WD	77 = 93.4 WB	ED1, ED0 = 2.4L DOHC	DGG, DGD = 32RH 3 Spd. Auto.
L = SE	U = Wrangler 4WD (RHD)		ERH = 4.0L Power Tech	DDD = 5 Speed HD Manual
M = X				DG0 = Auto. Trans.
P = Sahara				DBB = Manual Trans.
S = Rubicon				DDK = 5 Speed Manual

AR = Use as required - = Non illustrated part # = New this model year

August 27, 2004

Glass, Windshield, Backlite, Quarter Windshield Frame, Hinges
Figure STJ-710



ITEM	PART NUMBER	QTY	LINE	SERIES	BODY	ENGINE	TRANS	TRIM	DESCRIPTION
21	55176 567AC	1							MOLDING, Windshield Reveal
22	5517 5042	1							WEATHERSTRIP, Backlite
23									HINGE, Liftglass
	5013 722AB	1							Right
	5013 723AB	1							Left
24	55176 430AD	1							MOLDING, Windshield Garnish
25	5517 6421	2							TAPE, Anti Chip
-26	5500 9433	1							GASKET, Hinge To Glass, Backlite
-27	5500 9434	1							BUSHING, Hinge to Glass
-28	5500 9788	1							SEAL, Hinge To Glass
-29	J400 7384	1							NUT AND WASHER, Hex
-30	5501 9378	1							CAP, Hinge Cover
-31									GROMMET, Wiper Motor And Bracket
	5517 6464	1				77			
		1	J			78			

JEEP WRANGLER (TJ)

SERIES	LINE	BODY	ENGINE	TRANSMISSION
H = Sport	J = Wrangler 4WD	77 = 93.4 WB	ED1, ED0 = 2.4L DOHC	DGG, DGD = 32RH 3 Spd. Auto.
L = SE	U = Wrangler 4WD (RHD)		ERH = 4.0L Power Tech	DDD = 5 Speed HD Manual
M = X				DG0 = Auto. Trans.
P = Sahara				DBB = Manual Trans.
S = Rubicon				DDK = 5 Speed Manual

AR = Use as required - = Non illustrated part # = New this model year

August 27, 2004

CLICK HERE TO **DOWNLOAD** THE COMPLETE MANUAL

- Thank you very much for reading the preview of the manual.
- You can download the complete manual from: www.heydownloads.com by clicking the link below



- Please note: If there is no response to CLICKING the link, please download this PDF first and then click on it.

CLICK HERE TO **DOWNLOAD** THE COMPLETE MANUAL