

1972

**PASSENGER CAR
LOOSE-LEAF
PARTS
CATALOG**

APPLICATION SECTION

FINAL REVISION

November 1972



SUPERSEDES
81-690-1016

81-690-1044

CLICK HERE TO **DOWNLOAD** THE COMPLETE MANUAL

- Thank you very much for reading the preview of the manual.
- You can download the complete manual from: www.heydownloads.com by clicking the link below



- Please note: If there is no response to CLICKING the link, please download this PDF first and then click on it.

CLICK HERE TO **DOWNLOAD** THE COMPLETE MANUAL

ABBREVIATIONS (Cont'd.)

S/MBR	SIDE MEMBER	TORS	TORSION
SOC	SOCKET	TPI	THREADS PER INCH
SOL	SOLENOID	T/PIPE	TAIL PIPE
SPD	SPEED	T/PLT	TAPPING PLATE
SPEEDO	SPEEDOMETER	T/PNL	TRIM PANEL
SPKR	SPEAKER	TPR	TAPER
SPL	SPECIAL	TRANS	TRANSMISSION
SPL EQUIP	SPECIAL EQUIPMENT	TRANSF	TRANSFER
SPRG	SPRING	TRIMD	TRIMMED
S/PNL	SIDE PANEL	TRUN	TRUNNION
SP/SHLD	SPLASH SHIELD	T/SIG	TURN SIGNAL
SQ	SQUARE	TST	TAIL STOP & TURNING
S/R SHAFT	SINGLE ROCKER SHAFT	T/STRIP	TACKING STRIP
S/RAIL	SIDE RAIL	TUB	TUBULAR
S/RING	SNAP RING	U/BODY	UNDERBODY
S/SHLD	SIDE SHIELD	U/DRV	UNDERDRIVE
S/SILL	SIDE SILL	U/JNT	UNIVERSAL JOINT
S/SPD	SINGLE SPEED	UNIV	UNIVERSAL
STA	STATION-STATIONARY	UPR	UPPER
STAB	STABILIZER	U/S	UNDERSIZE
STD	STANDARD	U/SEAT	UNDERSEAT
STGHT	STRAIGHT	U/W	USED WITH
STL	STEEL	V	VOLT
STRG	STEERING	VAC	VACUUM
STRKR	STRIKER	VAL	VALUE
STRNR	STRAINER	V/DMPR	VIBRATION DAMPER
STRTR	STARTER	VENT	VENTILATOR-VENTILATING
SUCT	SUCTION	VERT	VERTICAL
SUPT	SUPPORT	VOL. CONT	VOLUME CONTROL
SUSP	SUSPENSION	V/REG	VOLTAGE REGULATOR
SW	SWITCH	V/SPD	VARIABLE SPEED
SYNCH	SYNCHRONIZER	V/WING	VENT WING
T	TEETH	W	WATT
TAP	TAPPING	W/	WITH
T/BKL	TURN BUCKLE	WA	WASHER
T/BLK	TERMINAL BLOCK	WAG	WAGON
T/COMP	TRIMMED COMPLETE	W.B.	WHEELBASE
T/CONT	THROTTLE CONTROL	W/BRG	WHEEL BEARING
T/CONV	TORQUE CONVERTER	W/CORD	WEATHERCORD
TEMP	TEMPERATURE	WDO	WINDOW
TERM	TERMINAL	WHL	WHEEL
T/GA	TEMPERATURE GAUGE	W/HSE	WHEELHOUSE
T/GATE	TAILGATE	W/LIFT	WINDOW LIFT
THD	THREAD	W/O	WITHOUT
THK	THICK	W/PUMP	WATER PUMP
THERMO	THERMOSTAT	W/REG	WINDOW REGULATOR
3RD	THIRD	W/SHLD	WINDSHIELD
THR	THRUST	W/STRIP	WEATHERSTRIP
THROT	THROTTLE	WT	WEIGHT
T/LP	TAIL LAMP	W/WASHER	WINDSHIELD WASHER
TORQ	TORQUE	W/WPR	WINDSHIELD WIPER
		X/MBR	X MEMBER

NOTES

CODE	PART NAME AND PART NUMBER	CODE	PART NAME AND PART NUMBER
10-07-2	GASKET AND SEAL PACKAGE, OIL PUMP Part No. 2084 355 Consists of: 3 - Gasket 1 - Seal	1 - 6025 867	Clip, Cable to Servo
10-07-3	SHAFT and ROTOR PACKAGE, OIL PUMP DRIVE Part No. 2084 354 2084 415 Consists of: 1 - Rotor, Outer 1 - Shaft, Drive	2 - 6025 001 3 - 120 375 1 - 6023 285 1 - 2863 598 1 - 6026 098 1 - 2947 798 1 - 1 - 120 376 2 - 120 375 1 - 3418 574 1 - 2863 587 2 - 2889 785 1 - 2983 406 1 - 107 825 1 -	Nut & Washer Nut & Washer Clip, Cbl. to Lost Motion Link Pin, Lost Motion Link Clevis Ring, Lost Motion Link Ret. Switch, Stop Lp. Speed Ctrl. Tag, Info. Nut Nut & Washer Brkt. Speed Ctrl. Cbl. Rtg. Brkt. Speed Ctrl. Servo Mtg. Speedo Cbl. Trans. to Servo Insulator Nut, Stop Lp. & Speed Ctrl. Sw. to Brkt. Sheet
10-07-6	OIL PUMP PACKAGE Part No. 2808 507 Consists of: 1 - 2121 404 Gasket 1 - Pump OIL PUMP PACKAGE Part No. 2808 509 2808 510 Consists of: 1 - Gasket 1 - Pump	AUTO. SPEED CONTROL ADAPTER. Part No. 3420 939 Consists of: 1 - 3462 367 1 - 2899 374 1 - 2899 378 1 - 3418 571	Cable, Speed Ctrl. Brkt. Cable Mtg. Brkt. Cable Mtg. (Red) Lost Motion Link
10-24-1	GASKET PACKAGE, OIL PAN. Part No. 3514 157 Consists of: 2 - Gasket, Oil Pan Side 2 - Gasket, Oil Pan End GASKET PACKAGE, OIL PAN. Part No. 2240 647 Consists of: 1 - Gasket, Oil Pan, Rt. 1 - Gasket, Oil Pan, Lt. 1 - Gasket, Oil Pan, Front 1 - Gasket, Oil Pan, Rear	14-24-1 FAST IDLE, CABLE 6 & 8 CYL. Part No. 3412 816 Consists of: 1 - 2946 621 1 - 124 939 2 - 2536 847 1 - 138 498 1 - 2946 619 2 - 9414 598 1 - 2946 620 1 - 274 517 1 - 120 375 1 - 6027 565	Cable Nut Collar, Cbl. Mtg. Washer Brkt. Cbl. Mtg. Screw Lever, Fast Idle Adj. Washer Nut & Washer Shoulder Bolt
10-24-1	GASKET PACKAGE, OIL PAN. Part No. 3549 388 Consists of: 2 - Gasket, Oil Pan 1 - Gasket, Oil Pan, Front 1 - Gasket, Oil Pan, Rear	15-11-87 CABLE & SPRG. PIN, HOOD CORNER STUD 18" LG. J. Part No. 3579 674 26" LG. B. Part No. 3579 673 Consists of: 2 - 6024 654 2 -	Screw Cable & Sprg. Pin Assy.
10-26-8	CARTRIDGE, OIL FILTER Part No. 2532 752 Consists of: 1 - Cartridge 1 - 2532 753 Gasket, Filter Body 1 - 2532 754 Gasket, Filter Cover	15-11-89 STUD & PIN, HOOD CORNER Part No. 3579 622 Consists of: 2 - Stud 2 - Bezel 2 - Gskt. 2 - 3579 673 2 - 6024 654 8 - 6024 403 4 - 120 378 2 - 135 629 2 - 6023 054 STUD & SPRG. PIN, HOOD CORNER Part No. 3579 667 Consists of: 2 - Stud 2 - 3579 670 2 - Gskt. 2 - 3579 674 2 - 6024 654 8 - 6024 403	Cable & Sprg. Pin Screw Screw, Hood Corner Stud Nut, Hood Corner Stud Washer Washer, Hood Cor. Stud Up. Cable & Sprg. Pin Screw Screw, Hood Corner Stud Bezel
14-02-1	AUTOMATIC SPEED CONTROL ADAPTER Part No. 3620 703 Consists of: 1 - 3462 368 Cable 1 - 2899 376 Brkt. Cable Ctrl. 1 - 3481 571 Link, Lost Motion BASIC PKG. Part No. 3420 935 Consists of: 1 - 2946 550 Servo 1 - 2899 539 Hose, Servo to P/Brake 2 - 272 776 Clamp		

POLICE

R1, R2, W1, W2, P1, P2
 2 Door Sedan
 4 Door Sedan
 4 Door Station Wagon
 D2
 4 Door Sedan

For Parts Not Listed in Police Section, Refer to 1972 Parts Catalog

CODE	PART NAME	ENG. TYPE OR CU. IN	V	B J	L	R	W	P	D	C (L) (M)	C (P)	C (H) (S)	Y	PART NUMBER
GROUP 1 - ACCESSORIES														
1-48-1	HEATER, Complete					1	1							3441 398
	Heater Complete W/Upper Level Vent					1	1							3441 624
GROUP 2 - FRONT SUSPENSION														
2-14-3	BAR OR SPRING, Torsion P, D								1	1				2269 578-9
GROUP 3 - AXLE—REAR														
NOTE: For Parts refer to Rear Axle Section of the Parts Catalog.														
GROUP 5 - BRAKE-SERVICE														
NOTE: For Parts refer to Brake Section of Parts Catalog														
GROUP 7 - COOLING														
7-02-1	FAN ASSEMBLY													
	Fan, Standard w/360 Eng. 7 Blades 18" Dia.							1	1					2863 227
7-14-4	HOSE, Rad. Inlet W/318, 360 Eng., Up To August 1, '72					1	1	1	1					3462 102
	After August 1, '72					1	1	1	1					# 3751 758
	w/400, 440 Eng. w/o Leece Neville Altr.					1	1	1	1					2863 257
GROUP 8 - ELECTRICAL														
8-15-2	WIRING, Eng. Compt., w/50 and 60 Amp. Altr.	6							1	1				3588 224
	w/318 and 360 Eng., w/50 and 60 Amp. Altr.	8							1	1				3588 225
	w/400 and 440 Eng., w/50 and 60 Amp. Altr., w/o Emission Control	8							1					3588 226
GROUP 9 - ENGINE														
9-67-20	BUMPER, Engine Front Support Insulator Restrictor					1	1							3466 522
GROUP 11 - EXHAUST														
11-05-1	EXHAUST PIPE, w/440 Eng., Std.	Rt. 8							1					3583 684
		Lt. 8							1					3583 719
11-10-3	SUPPORT and INSULATOR, Tail Pipe, w/440 Eng., Std.	Frnt. 8							1					2823 933
CARLINES	J - Challenger B - Barracuda	V - Valiant L - Dart	R - Satellite W - Coronet - Charger	P - Plymouth D - Dodge	C - Chrysler Y - Imperial									

AR Indicates use as required.

Indicates parts not listed in any previous parts book.

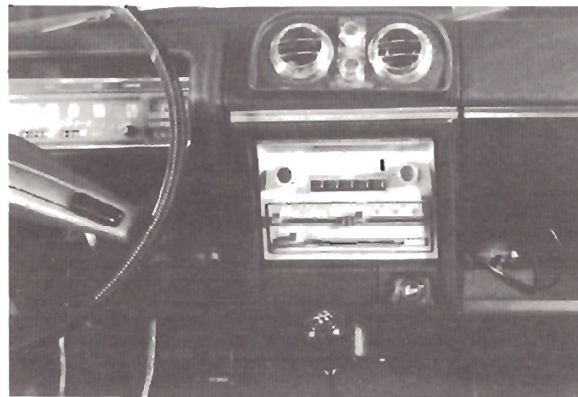
Numerals in parentheses () refer to notes.

★ Indicates change or addition.

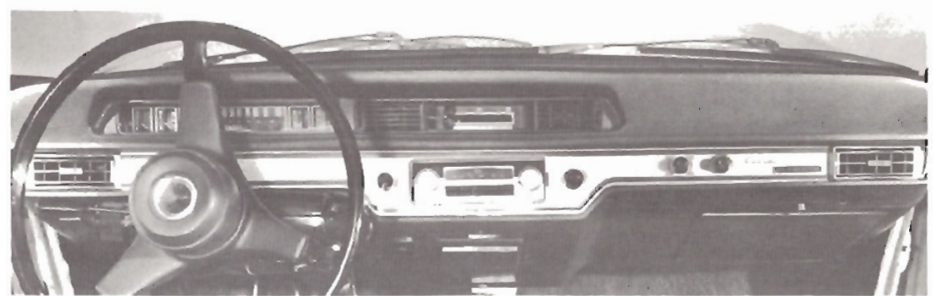
Printed in U.S.A.
November 1972

AIR CONDITIONERS

Fast, efficient cooling
 Evaporator fits under dash
 Attractive custom styling
 Three speed blower
 Convenient air-temperature controls



COLT



CRICKET

YEAR	DESCRIPTION AND APPLICATION	PART NUMBER	INSTALLED PRICE
72-71	Air Conditioning Package Comp. - Colt	3620 800	
72-71	Air Conditioning Package Comp. - Cricket	3620 829	

ALL PRICES AND SPECIFICATIONS ARE SUBJECT TO CHANGE WITHOUT NOTICE.

SPLASH GUARDS - FIRE EXTINGUISHER



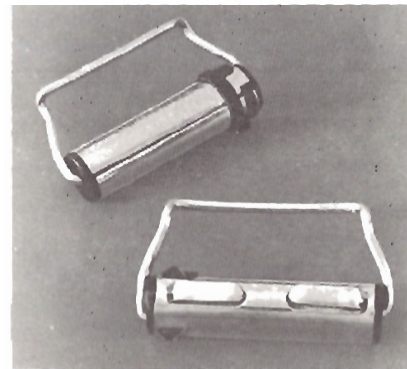
FIRE EXTINGUISHER

Odorless dry chemical smothers electrical, oil, gas fires. For home, auto, workshop, garage and trailer.



SPLASH GUARDS

- Protects against dirt, salt, and stone damage to paint.
- Heavy, black vinyl construction with crossed racing flags.
- Easily installed.



SEAT BELT RETRACTOR

- Eliminates belt clutter.
- Automatically rolls tongue section of seat belt out of the way.

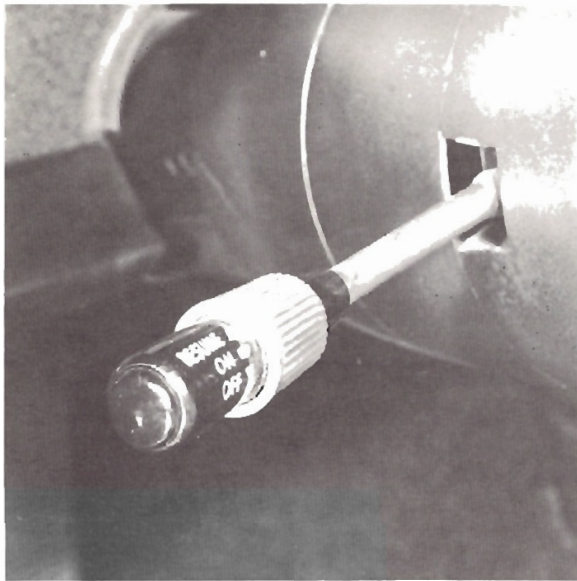
YEAR	DESCRIPTION AND APPLICATION	PART NUMBER	SUGGESTED LIST PRICE	INSTALLED PRICE
ALL	SPLASH GUARD PKG. 1 Pair of guards & 6 mtg. screws in package	3579 660		
	FIRE EXTINGUISHERS — (With Universal Mount. Bracket)			
	Model 2BC - 1 lb. 9 oz.	3419 438	\$ 6.95	
	Model 6-5BC - 2 lbs. 13 oz.	3419 439	9.50	
	SEAT BELT RETRACTOR (One Pair) All vehicles w/seat belts	2495 897	3.85	

ALL PRICES AND SPECIFICATIONS ARE SUBJECT TO CHANGE WITHOUT NOTICE.

TRUCK ACCESSORIES

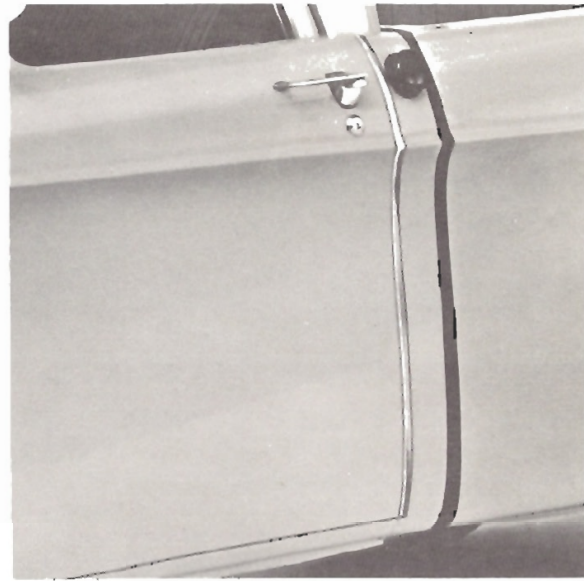
AUXILIARY HEATER DOOR EDGE GUARDS

AUTOMATIC SPEED CONTROL



AUTOMATIC SPEED CONTROL

- Keep speed constant without foot on accelerator.
- Helps reduce driving fatigue.
- Disengages when brake pedal is pressed.

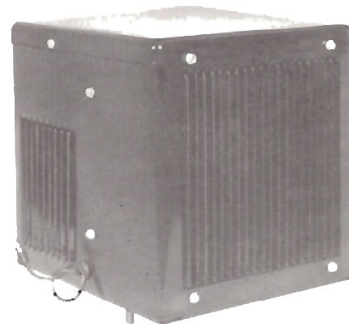


TRUCK DOOR EDGE PROTECTOR

- A handsome styling accent. Prevents chipping of finish at door edge.

AUXILIARY HEATER

- Extra warmth in coldest weather



DESCRIPTION AND APPLICATION	PART NUMBER	SUGGESTED LIST PRICE	INSTALLED PRICE
AUTOMATIC SPEED CONTROL PKG. 72-71 B 100-200-300 Van W/318 or 360 C.I.E. with Auto. Trans.	3579 242		
DOOR EDGE PROTECTORS 72 D & W 100-200-300 (2-Door) ALL 72-67 Convertible & Crew Cab (2-Door) 72-71 B 100-200-300	3685 147 2933 242 3620 533	4.10 4.10 4.10	
AUXILIARY HEATER 72-71 B 100-200-300 Vans	3489 928		

ALL PRICES AND SPECIFICATIONS ARE SUBJECT TO CHANGE WITHOUT NOTICE.

**CAR APPEARANCE AND
MAINTENANCE MATERIALS**

ENGINE ADDITIVES (Cont'd)



GUM & SLUDGE REMOVER

A fast-acting compound of solvents, dispersants and detergents that cleans oil lines and removes gum, carbon and sludge from oil rings, valve guides and lifters. Developed purposely to remove crankcase contaminants and for use on older cars as a cleaner and flush.



**MANIFOLD HEAT CONTROL VALVE
SOLVENT-PENETRATING FLUID**

Formulated to keep the manifold heat control valve operating freely and efficiently. It penetrates lead and rust deposits that accumulate on the control valve. A small amount should be applied to both ends of the valve shaft every thirty days and whenever the car is lubricated.



**COOLING SYSTEM RUST RESISTOR
& WATER PUMP LUBRICANT**

Protects the cooling system from build-up of rust or scale particles by depositing a protective coating on inner walls. The water pump is continuously lubricated since the lubricant is heat resistant and mixes freely with hard or soft water and all approved types of antifreeze.



COOLING SYSTEM STOP LEAK NUGGETS PACKAGE

Effectively seals and helps prevent radiator leaks in the entire cooling system. It will not clog or injure connections or air conditioning systems. It will mix with hard or soft water and all approved types of anti-freeze. Two nuggets in plastic bubblepack display card.

WATER PUMP LUBE

Use to eliminate noisy water pump squeak and chatter. This silicone lubricant is heat resistant and will not dissolve in cooling system contents.

DESCRIPTION	SIZE	PART NUMBER	SUGGESTED LIST PRICE
ENGINE ADDITIVES (Cont'd)			
Gum & Sludge Remover	Quart	3419 133	\$ 2.95
Manifold Heat Control Valve Solvent - Penetrating Fluid (aerosol) -	8 oz.	3419 128	1.25
	12 oz.	3419 129	1.75
Cooling System Rust Resistor & Water Pump Lubricant	Pint	2421 778	.75
Cooling System Stop Leak Nuggets		3419 423	1.25
Water Pump Lube	2 oz.	2298 997	1.50

ALL PRICES AND SPECIFICATIONS ARE SUBJECT TO CHANGE WITHOUT NOTICE.

CAR APPEARANCE AND MAINTENANCE MATERIALS

USED CAR RECONDITIONING MATERIALS (Cont'd)

UNIVERSAL CARPETING - REAR

UNIVERSAL CARPETING	Price Sym.	List	Dealer
ALL FRONT CARPETS	N.D.	23.15	13.90
ALL REAR CARPETS	N.D.	22.40	13.45

	REAR	Black	Light Blue	Medium Blue	Dark Blue	Gray Blue	Brown	Gold	Medium Green	Dark Green	Orange	Bright Red	Dark Red	Turquoise
1969 - 70 1969 - 70	Fury, Polara & Monaco, Sta. Wag. Chrysler & Imperial (Exc. 4 Dr. H.T.)	3621017	3621018	3621019	3621020	3621021	3621022	3621023	3621024	3621025	3621026	3621027	3621028	3621029
1969 - 70	Fury, Polara, Monaco & Chrysler & Imperial 4 Dr. H.T.	3621030	3621031	3621032	3621033	3621034	3621035	3621036	3621037	3621038	3621039	3621040	3621041	3621042
1965 - 68	Fury, Polara, Monaco, "880" Chrysler & Imperial	3621043	3621044	3621045	3621046	3621047	3621048	3621049	3621050	3621051	3621052	3621053	3621054	3621055
1969 - 70	Fury, Polara & Monaco (Exc. 4 Dr. H.T. & Sta. Wag.)	3621056	3621057	3621058	3621059	3621060	3621061	3621062	3621063	3621064	3621065	3621066	3621067	3621068
1965 - 70	Belvedere, Satellite, Coronet & Charger	3621069	3621070	3621071	3621072	3621073	3621074	3621075	3621076	3621077	3621078	3621079	3621080	3621081
1970	Barracuda & Challenger	3621082	3621083	3621084	3621085	3621086	3621087	3621088	3621089	3621090	3621091	3621092	3621093	3621094
1966 - 70 1966 - 69	Valiant & Dart Barracuda	3621095	3621096	3621097	3621098	3621099	3621100	3621101	3621102	3621103	3621104	3621105	3621106	3621107
1962 1962 - 64	Dart Fury, Polara, Monaco, "880" Chrysler & Imperial	3621108	3621109	3621110	3621111	3621112	3621113	3621114	3621115	3621116	3621117	3621118	3621119	3621120
1960 - 65 1961 - 62 1963 - 65	Valiant Lancer Dart	3621134	3621135	3621136	3621137	3621138	3621139	3621140	3621141	3621142	3621143	3621144	3621145	3621146

ALL PRICES AND SPECIFICATIONS ARE SUBJECT TO CHANGE WITHOUT NOTICE.



INDEX

DESCRIPTION	PAGE	DESCRIPTION	PAGE
OILS		REMOVERS (Cont'd.)	
Automatic Transmission Fluid	60	Rust Remover	62
Brake Fluid	61	Spot Remover	61
Crankcase Conditioner	60	Tar & Road Oil Remover	62
Engine Oil Supplement	60	RECONDITIONING MATERIAL - USED CAR	71-73
Motor Oil	64	REGULATOR & FILTER-FUEL, PRESSURE	58
Penetrating Oil	64	RESTORER-FINISH, USED CAR	63
Power Steering Fluid	61	RETRACTOR - SEAT BELT	33
Hi-Performance Additive	60	REVIVE-A-COLOR	72
PAD - BUFFING	72	RU-GLYDE RUBBER LUBRICANT	63
PAD - STATION WAGON CARGO AREA	50	RUST PENETRANT	63
PAINT		RUST RESISTOR-RADIATOR	63
Engine Paint	72	RUST - REMOVER	62
Marine Paint	70	SEALING COMPOUND	63
Paint Striping Tool	49	SEALER - LEATHER & VINYL	72
Touch-Up Paint Applicator	65	SEALER - TRANSMISSION	63
Splatter Paint	72	SIL-GLYDE	62
Spray Can	65	SKI-CARRIER - DECK LID	57
POLISH		SOLDER - PLASTIC BODY	63
Chrome Polish	62	SPEED CONTROL PKG., AUTOMATIC	30-32
Liquid Auto Polish	62	SOLVENT	
Live-N-Color	62	Manifold Heat Control	62
One Step	62	Windshield Washer Solvent	63
Silicone Wax	62	SPEAKER - REAR SEAT	21-22
Super Glaze	62	SPLASH GUARDS	42
POWER BRAKE PACKAGE	34	SPOT REMOVER	61
POWER STEERING CONVERSION PACKAGE	53-56	STEREO-TAPE PLAYER	17
POWER STEERING FLUID	61	STEREO-SPEAKERS	17
PROTECTOR-DOOR EDGE	50-52	STOP LEAK - RADIATOR	63
RACING HOOD CABLE & PIN PACKAGE	47	SUPER GLAZE	62
RACING HOOD LOCK PACKAGE	47	SWITCH PACKAGE - WINDOW LIFT SAFETY	58
RACING HOOD PADLOCK PACKAGE	47	TACHOMETER PACKAGE	58
RACK - LUGGAGE	57	TAR & ROAD OIL REMOVER	62
RADIATOR RUST RESISTOR	63		
RADIATOR STOP LEAK	63		
RADIOS & RELATED ITEMS	13-16		
REMOVERS			
Frost & Ice Remover	62		
Gum & Sludge Remover	60		
Over Spray Remover	72		



RADIOS AND RELATED ITEMS

ORDERING INFORMATION

NO. 1 NET

The No. 1 Net Price applies to any quantity of Radios and Related Items when ordered for shipment from Parts Depot. Transportation will be Prepaid when qualified, as provided for in Schedule of Discounts and Terms of Purchase.

NO. 2 NET

The No. 2 Net Price applies when Radios and Related Items are ordered in quantities indicated for direct shipment.

Direct all orders to the Parts Depot serving your locality.

Orders qualifying for Direct Shipment must be separate orders and plainly marked "Direct Shipment" in the Ship VIA Space on the Parts Order form.

Shipment will be made to the ordering accounts principal place of business only.



1970 RADIO BEZELS — PANELS & PLATES

Description	Price Sym.	Part Number	Dealer Each
<u>RADIO BEZELS, PANELS & PLATES (Continued)</u>			
<u>1970 MODELS</u>			
<u>PLATE (Use with 2884 860, 2884 861 & 2884 862 Radios)</u>			
Belvedere & Coronet Deluxe - Blue	N.D.	4518 FB7	.57
Green	N.D.	4518 FF8	.57
Orange	N.D.	4518 FK5	.57
Tan	N.D.	4518 FT4	.57
Black	N.D.	4518 FX9	.57
Gold	N.D.	4518 FY4	.57
Satellite & Coronet 440	N.D.	2984 677	1.09
Sport Satellite, Coronet 500 & R/T (Exc. R/T Rallye)	N.D.	2984 674	1.09
Road Runner, Super Bee & Coronet R/T Rallye			
w/out Applique	N.D.	2984 697	1.81
GTX, Super Bee & Coronet R/T with Applique	N.D.	2984 440	4.30
Charger w/out Applique	N.D.	2984 697	1.81
Charger with Applique	N.D.	2984 440	4.30
<u>BEZEL (Use with 2884 855, 2884 856 & 3420 888 Radios)</u>			
Fury	N.D.	2884 841	1.87
<u>BEZEL (Use with 2884 857, 2884 858 & 3420 889 Radios)</u>			
Polaris & Monaco	N.D.	2884 835	3.89
<u>BEZEL (Use with 2884 859 & 3420 560 Radios)</u>			
Chrysler	N.D.	2984 906	3.42
<u>BEZEL (Use with 2884 606 Radio)</u>			
Chrysler	N.D.	2984 907	3.42



BUMPER GUARDS

Description	Price Sym.	Part Number	List	Dealer Each
<u>GUARD PACKAGE - BUMPER (Continued)</u>				
<u>REAR</u>				
1967-72 Valiant	N.D.	2809 832	11.36	6.53
1970-2 Dart	N.D.	3481 804	12.18	7.00
1971 Satellite 2 Door Hardtop	N.D.	3620 329	16.13	9.18
1971-2 Satellite 4 Door Sedan (Exc. Station Wagon)	N.D.	3620 330	16.13	9.18
1971-2 Coronet 4 Door Sedan (Exc. Station Wagon)	N.D.	3620 334	16.13	9.18
1971-2 Charger	N.D.	3620 333	16.13	9.18
1971 Fury (Exc. Sport Fury & Station Wagon)	N.D.	3620 335	17.42	9.90
1971 Polara & Monaco (Exc. Station Wagon)	N.D.	3620 336	17.42	9.90
1971 Chrysler (Exc. Station Wagon)	N.D.	3620 338	17.63	10.06
1970 Belvedere & Satellite (Exc. Station Wagon)	N.D.	3481 810	16.13	9.18
1970 Coronet (Exc. Charger & Station Wagon)	N.D.	3481 812	16.13	9.18
1970 Fury & Sport Fury (Exc. Station Wagon)	N.D.	3481 816	17.42	9.90
1970 Polara & Monaco (Exc. Station Wagon)	N.D.	3481 818	17.42	9.90
1969 Fury & Sport Fury (Exc. Station Wagon)	N.D.	2933 652	17.42	9.90
1969 Polara & Monaco (Exc. Station Wagon)	N.D.	2933 654	17.42	9.90



ACCESSORIES PRICE LIST

1970 POWER STEERING CONVERSION PACKAGE

MODELS	Alternator	Engine	PUMP PACKAGES			CHUCK & COUPLING PKG'S.		
			Price Sym.	Part Number	Dealer Each	Price Sym.	Part Number	Dealer Each
VALIANT & DART								
All	Chrysler	198-225	N.D.	3514 989	34.17			
All	Chrysler	318-340	N.D.	3514 959	34.17			
BARRACUDA & CHALLENGER								
All	Chrysler	225	N.D.	3514 989	34.17	N.D.	3420 198	49.02
All	Chrysler	318-340	N.D.	3514 960	34.17	N.D.	3420 198	49.02
All	Chrysler	383-440	N.D.	3514 956	34.17	N.D.	3420 198	49.02
BELVEDERE, SATELLITE, CORONET & CHARGER								
All	Chrysler	225	N.D.	3514 989	34.17	N.D.	3420 196	49.02
All	Leece-Neville	318	N.D.	3514 961	34.17	N.D.	3420 196	49.02
All	Chrysler	318	N.D.	3514 960	34.17	N.D.	3420 196	49.02
All	Chrysler	383-440	N.D.	3004 888	34.17	N.D.	3420 196	49.02
FURY								
All	Chrysler	225	N.D.	3514 958	34.17	N.D.	3420 197	52.77
All	Leece-Neville	318	N.D.	3514 961	34.17	N.D.	3420 197	52.77
All	Chrysler	318	N.D.	3514 962	34.17	N.D.	3420 197	52.77
All	All	383-440	N.D.	3514 957	34.17	N.D.	3420 197	52.77
POLARA & MONACO								
All	Chrysler	225	N.D.	3514 958	34.17	N.D.	3420 197	52.77
2 Dr. H.T., 4 Dr. H.T. & 4 Dr. Sedan	Chrysler	318	N.D.	3514 962	34.17	N.D.	3514 999	52.77
2 Dr. H.T., 4 Dr. H.T. & 4 Dr. Sedan	Leece-Neville	318	N.D.	3514 961	34.17	N.D.	3514 999	52.77
2 Dr. H.T., 4 Dr. H.T. & 4 Dr. Sedan	Chrysler	383-440	N.D.	3514 957	34.17	N.D.	3514 999	52.77
Station Wagon & Convertible	Chrysler	318	N.D.	3514 962	34.17	N.D.	3420 197	52.77
Station Wagon & Convertible	Leece-Neville	318	N.D.	3514 961	34.17	N.D.	3420 197	52.77
Station Wagon & Convertible	Chrysler	383-440	N.D.	3514 957	34.17	N.D.	3420 197	52.77
CHRYSLER								
2 Dr. H.T., 4 Dr. H.T., 4 Dr. Sedan & Con. w/Console Only	All	383-440	N.D.	3514 957	34.17	N.D.	3514 999	53.92
Station Wagon & Convertible (Exc. w/Console)	All	383-440	N.D.	3514 957	34.17	N.D.	3420 197	52.77

1969 POWER STEERING CONVERSION PACKAGES

VALIANT, BARRACUDA & DART								
All	Chrysler	170-225	N.D.	3514 989	34.17			
All	Chrysler	273, 318-340	N.D.	3004 885	32.51			
BELVEDERE, SATELLITE, CORONET & CHARGER								
All	Chrysler	225	N.D.	3514 989	34.17	N.D.	3004 882	49.02
All	Chrysler	318	N.D.	3004 886	32.51	N.D.	3004 882	49.02
All	Chrysler	383-440	N.D.	3004 888	34.17	N.D.	3004 882	49.02
FURY, POLARA & MONACO								
With Chrysler Column	Chrysler	225	N.D.	3004 880	32.51	N.D.	3004 883	52.77
With Chrysler Column	Chrysler	318	N.D.	3004 886	32.51	N.D.	3004 883	52.77
With Chrysler Column	Chrysler	383-440	N.D.	3004 889	32.51	N.D.	3004 883	52.77
With Saginaw Column	Chrysler	225	N.D.	3004 880	32.51	N.D.	3004 884	52.77
With Saginaw Column	Chrysler	318	N.D.	3004 886	32.51	N.D.	3004 884	52.77
With Saginaw Column	Chrysler	383-440	N.D.	3004 889	32.51	N.D.	3004 884	52.77
CHRYSLER								
With Chrysler Column	Chrysler	383-440	N.D.	3004 889	32.51	N.D.	3004 883	52.77
With Saginaw Column	Chrysler	383-440	N.D.	3004 889	32.51	N.D.	3004 884	52.77



1969 PASSENGER CARS TOUCH-UP PAINT CHART

Spray Can Part No.	Applicator Part No.	Color	Model Application
2809 784	2809 785	Black	All Models
2932 342	2932 343	Brite Yellow	All Exc. Valiant & Dart
2932 336	2932 337	Lt. Gold	All Exc. Valiant & Dart
3419 152	3419 153	Platinum (M)	All Exc. Dart
3419 154	3419 155	Dark Grey (M)	Imperial
3419 156	3419 157	Pale Blue (M)	All Models
3419 158	3419 159	Brite Blue (M)	All Exc. Polara, Monaco, Chrysler & Imperial
3419 160	3419 161	Medium Dark Blue (M)	All Exc. Imperial
3419 162	3419 163	Dark Blue (M)	Polara, Monaco & Imperial
3419 164	3419 165	Briar (M)	All Exc. Fury
3419 166	3419 167	Light Green (M)	All Models
3419 168	3419 169	Medium Green (M)	Fury, Polara, Monaco, Chrysler
3419 170	3419 171	Medium Dark Green (M)	All Models
3419 172	3419 173	Dark Green (M)	Imperial
3419 174	3419 175	Beige	All Exc. Barracuda
3419 176	3419 177	Plum	Imperial
3419 178	3419 179	Light Turquoise (M)	Polara, Monaco, Chrysler, Imperial
3419 180	3419 181	Brite Turquoise (M)	All Exc. Polara, Monaco, Chrysler, Imperial
3419 182	3419 183	Brite Red	All Exc. Imperial
3419 184	3419 185	Lt. Bronze (M)	All Models
3419 186	3419 187	Brite Bronze (M)	All Exc. Valiant, Polara, Monaco & Imperial
3419 188	3419 189	Dark Bronze (M)	All Exc. Dart
3419 190	3419 191	White	All Models
3419 192	3419 193	Gold (M)	All Models
3419 194	3419 195	Charger Red	Dart, Charger, Barracuda, Belvedere & Coronet
3419 441	3419 442	Medium Citron Gold	Plymouth
3419 443	3419 444	Bright Green (M)	Dodge

<u>PAINT CODE</u>		<u>DITZLER CODE</u>	<u>RINSHED-MASON CODE</u>	<u>DUPONT CODE</u>
JA5	Lacquer	DDL 2513	A-2674	5542L
	Enamel	DAR 2513	E-2674	5542A
JF1	Lacquer	DDL 2515	A-2677	5544L
	Enamel	DAR 2515	E-2677	5544A
JF8	Lacquer	DDL 2514	A-2679G	5547L
	Enamel	DAR 2514	E-2679G	5547A
GK6	Lacquer	DDL 2312	A-2410G	5257L
	Enamel	DAR 2312	E-2410G	5257A
HL4	Lacquer	DDL 2427	A-2538	5415L
	Enamel	DAR 2427	E-2538	5415A
JY3	Lacquer	DDL 2517	A-2680	5548L
	Enamel	DAR 2517	E-2680	5548A
JY6	Lacquer	DDL 2509	A-2681G	5549L
	Enamel	DAR 2509	E-2681G	5549A
JY9	Lacquer	DDL 2510	A-2682D	5551L
	Enamel	DAR 2510	E-2682D	5551A
JB9	Lacquer	DDL 2508	A-2676	5543L
	Enamel	DAR 2508	E-2676	5543A

POLICY: INFORMATION ONLY



J. D. MORTON
 Manager-Technical Services
 U. S. AUTOMOTIVE SALES & SERVICE



1972 AMERICAN MOTORS CORPORATION
EXTERIOR COLORS



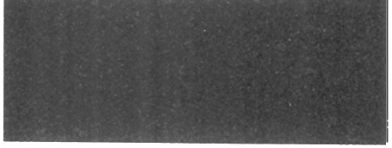


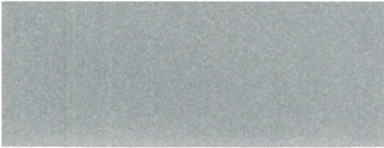
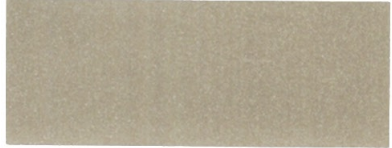










Mfr. Code and Color	LUCITE [®] CODE	CENTARI [®] CODE	DULUX [®] CODE	Mfr. Code and Color	LUCITE [®] CODE	CENTARI [®] CODE	DULUX [®] CODE		
A1 Snow White	5213L	5213A	5213D	C9 Hunter Green Metallic		5401L	5401A	5401D	
A2 Canary Yellow		5214L	5214A	5214D	D1 Jolly Green Metallic		5402L	5402A	5402D
C2 Stardust Silver Metallic		5393L	5393A	5393D	D2 Yuca Tan Metallic		5404L	5404A	5404D
C3 Skyway Blue		5394L	5394A	5394D	D3 Baja Bronze Metallic		5403L	5403A	5403D
C4 Jetset Blue Metallic		5395L	5395A	5395D	D4 Cordoba Brown Metallic		5405L	5405A	5405D
C5 Admiral Blue Metallic		5396L	5396A	5396D	D5 Butterscotch Gold		5406L	5406A	5406D
C6 Surfside Turquoise		5397L	5397A	5397D	D7 Trans-Am Red		5408L	5408A	5408D
C8 Grasshopper Green Metallic		5399L	5399A	5399D	D8 Sparkling Burgundy		5409L	5409A	5409D

ILLUSTRATION INDEX - Continued

	PAGE		PAGE
C - Continued		E - Continued	
Cooling System		Engine Mountings	
6 Cylinder	7-1	6 Cylinder	
8 Cylinder	7-2	Valiant and Dart	9-5
Cornering and Side Marker Lamp		Satellite, Coronet and Charger	9-6
See Index in Group 8	8-A	Barracuda and Challenger	9-6
		Plymouth and Dodge	9-7
D		8 Cylinder	
Damper - Center Floor Pan		Valiant and Dart	9-13
Satellite and Coronet	23-35	R, W, P, D, C, - 318, 340 and 360 Eng.	9-13
Deck Lid Hinges and Lock		400 and 440 Engine	9-14
Valiant (Typical of Dart)	23-30	Engine Oiling	
Barracuda and Challenger	23-31	6 Cylinder	10-1
Charger	23-31	8 Cylinder	10-2
Satellite and Coronet (Typical of Plymouth		Exhaust Clamp, Brace and Support Chart	11-2
and Dodge) - Electric	23-32	Exhaust Manifold and Heat Control Valve	
Vacuum - Plymouth, Dodge, Chrysler and		6 Cylinder	9-5
Imperial	23-32	8 Cylinder	
Disc Brake and Caliper		318, 340 and 360 Engine	9-12
Plymouth, Dodge, Chrysler and Imperial . .	5-3	400 and 440 Engine	9-12
Disc Brake System		Exhaust System	
Plymouth, Dodge, Chrysler and Imperial . .	5-3	Chart	11-1
Distributor		Valiant and Dart (6 and 8 Cylinder)	11-3
See Index in Group 8	8-A	Exterior View	
Door and Quarter Window Regulators and		See Index in Group 23	23-A
Weatherstrips		External Engine	
Valiant and Dart Fastback	23-8	6 Cylinder	
Barracuda and Challenger 2 D.H.T.	23-10	198 and 225 Engine	9-2
	23-13	8 Cylinder	
	23-21	318, 340 and 360 Engine	9-2
Satellite and Charger 2 D.H.T.	23-21	318, 340 and 360 Engine	
Plymouth, Dodge, Chrysler and Imperial		Front	9-4
4 D.H.T.	23-26	Rear	9-5
Door Vent Wing and Glass		400 and 440 Engine	9-8
Valiant and Dart		400 and 440 Engine	
2 Door Hardtop	23-6	Front	9-10
4 Door Sedan	23-6	Rear	9-11
Door Window Regulators and Runs		F	
Valiant and Dart		Fender	
4 Door Sedan	23-14	Valiant (Typical of Dart)	12-1
2 Door Hardtop	23-16	Barracuda and Challenger	12-1
Satellite and Coronet - Front Door	23-18	Charger (Typical of Satellite and Coronet).	12-2
Satellite and Coronet - Rear Door	23-20	Plymouth	12-3
Plymouth, Dodge, Chrysler and Imperial		Dodge	12-3
2 D.H.T. and Fastback	23-24	Chrysler	12-4
Dual Exhaust		Imperial	12-4
Valiant and Dart (340 Engine)	11-4	Fender Turn Signal Indicator Lamp	
Barracuda and Challenger	11-5	See Index in Group 8	8-A
Ducts, Spot Coolers and Air Outlets		Fixed Quarter Window	
P, D, C, Y	24-8	Satellite and Coronet 2 Door Sedan	23-22
E		Floor Console	
Electric Window Lift and Door Lock System		Valiant and Dart	23-33
Imperial (Typical of Plymouth, Dodge		Barracuda and Challenger (w/Automatic	
and Chrysler)	23-29	Transmission)	23-33
Electrical System		Floor Pan	
See Index in Group 8	8-A	Front	23-64
Electronic Ignition System		Rear	23-65
See Index in Group 8	8-A	Frame	
		Plymouth, Dodge and Chrysler	13-1
		Imperial	13-1

CODE	PART NAME	ENG. TYPE OR CU. IN	V	B J	L	R	W	P	D	C			Y	PART NUMBER
										(L M)	(P)	(H S)		
1-47-0	REAR WINDOW DEFOGGER Cont'd.													
1-47-14	PLATE, Defogger Blower Mtg.		1	1	1	1	1	1	1	1	—	1	1	2607 141
	Blower and Speaker Mtg.		—	1	—	—	—	1	1	1	—	1	1	2936 347
1-47-15	NAME PLATE, Defogger Switch		1	—	1	—	—	—	—	—	—	—	—	3488 815
1-47-16	WHEEL, Defogger Blower		1	1	1	1	1	1	1	1	—	1	1	1239 241
1-47-17	Housing, Defogger Blower		1	1	1	1	1	1	1	1	—	1	1	3502 069
1-47-18	Resistor, Blower Motor Exc. Wgn.		1	1	1	1	1	1	1	1	—	1	1	2521 409
1-47-22	ADAPTOR, Defogger Blower and Speaker		—	1	—	—	—	1	1	1	—	1	1	2936 346

1-48-0 HEATER AND COMPONENTS

NOTE: All These Heaters Are For
Replacement Only Not For
Field Installation

1-48-1	Heater, W/O A/Cond.		1	—	1	—	—	—	—	—	—	—	—	3441 506
	Complete w/o A/Cond. After March 24, 72		1	—	1	—	—	—	—	—	—	—	—	3502 590
	w/o A/Cond.		—	—	—	—	—	1	1	—	—	—	—	2936 066
	w/Upper Level Vent		—	—	—	—	—	1	1	—	—	—	—	3441 657
	Complete w/Coolant Recovery System		—	—	—	—	—	1	1	—	—	—	—	2936 068
	w/o A/Cond.		—	—	—	—	—	—	—	1	1	1	—	2936 067
	w/Upper Level Vent		—	—	—	—	—	—	—	1	1	1	—	3441 658
	Complete w/o A/Cond.		—	1	—	—	—	—	—	—	—	—	—	2936 602
	Complete, w/o A/Cond.		—	—	—	1	1	—	—	—	—	—	—	3441 398
	Complete, w/Upper Level Vent		—	—	—	1	1	—	—	—	—	—	—	3441 624
	Rear Htr. Complete		—	—	—	—	—	—	—	1	—	1	1	3502 062
	Heater Complete CANADA		—	—	—	—	—	1	1	—	—	—	—	2936 068
1-48-4	Control, Heater													
	Use 2864591 w/2884107 For													
	Complete Control		1	—	1	—	—	—	—	—	—	—	—	2884 107
	w/o Rallye I/Pnl. w/o A/Cond.		—	1	—	—	—	—	—	—	—	—	—	2884 722
	w/Rallye I/Pnl.		—	1	—	—	—	—	—	—	—	—	—	2884 704
	w/o A/Cond. Up to Dec. 13, Approx.		—	—	—	1	1	—	—	—	—	—	—	3431 577
	w/o A/Cond. After Dec. 13, Approx.		—	—	—	1	1	—	—	—	—	—	—	3502 389
	w/Upper Level Vent Up to Dec. 13, Approx.		—	—	—	1	1	—	—	—	—	—	—	3431 575
	w/Upper Level Vent After Dec. 13, Approx.		—	—	—	1	1	—	—	—	—	—	—	3502 391
	w/Upper Level Vent		—	—	—	—	—	1	1	—	—	—	—	3431 353
	w/o Upper Level Vent Up to Dec. 13, Approx.		—	—	—	—	—	—	—	1	1	1	—	3431 583
	w/o Upper Level Vent After Dec. 13, Approx.		—	—	—	—	—	—	—	1	1	1	—	3502 452
	w/Upper Level Vent Up to Dec. 13, Approx.		—	—	—	—	—	—	—	1	1	1	—	3431 584
	w/Upper Level Vent After Dec. 13, Approx.		—	—	—	—	—	—	—	1	1	1	—	3502 454
	w/o A/Cond.		—	—	—	—	—	—	—	—	—	—	1	3431 195
	NOTE: For Further Information See Part Type Code 24-24-39 or 24-24-161													
1-48-5	ADAPTER, Rr. Htr. Inlet and Speaker 2 Dr.													
	H.T.		—	—	—	—	—	—	—	1	—	1	1	2936 346
	Plate, Rr. Htr. Inlet And Speaker Mtg. 2 Dr. H.T.		—	—	—	—	—	—	—	1	—	1	1	2936 347
1-48-7	HOSE and CONNECTOR, Htr. Control													
	Vacuum w/o A/Cond.		—	—	—	—	—	—	—	1	1	1	—	2884 562
	w/Upper Level Vent		—	—	—	1	1	—	—	—	—	—	—	3431 280
	w/Upper Level Vent		—	—	—	—	—	—	—	1	1	1	—	3431 379
	Grommet and Hose Htr. Control w/Upper Level Vent		—	—	—	—	—	1	1	—	—	—	—	3431 377

CARLINES J - Challenger V - Valiant
B - Barracuda L - Dart

R - Satellite P - Plymouth
W - Coronet - Charger D - Dodge

C - Chrysler
Y - Imperial

AR Indicates use as required.

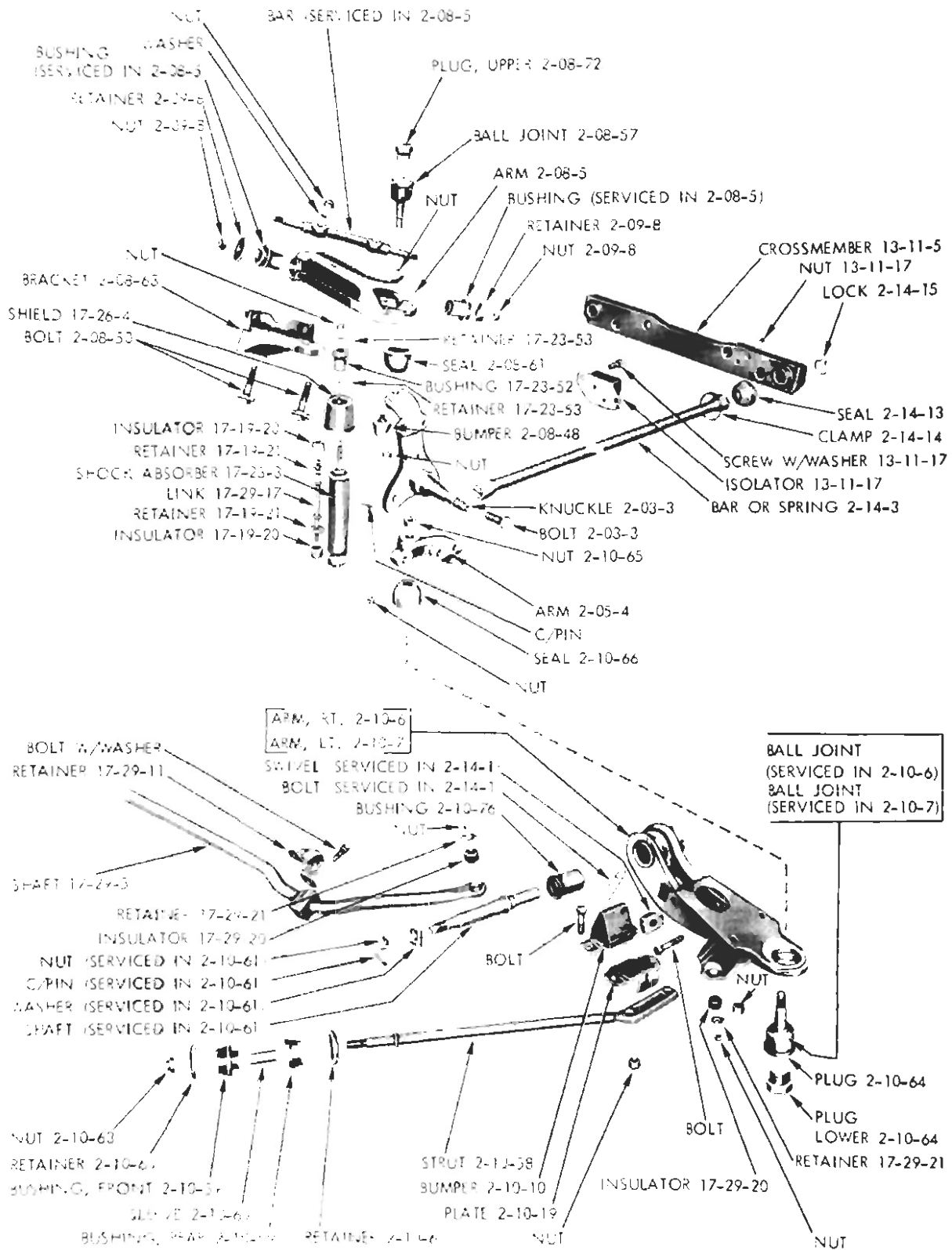
Numerals in parentheses () refer to notes.

Printed in U.S.A.

Indicates parts not listed in any previous parts book.

★ Indicates change or addition.

November 1972



19a0932 ■

3-03-0 REAR AXLE DIFFERENTIAL AND CARRIER

NOTE: Differential with Carrier and Tubes and Differential, with Carrier are shown below in chart form by ratio. The chart also includes other information such as Gear size and Stem size.

NOTE: The Differential with Carrier and Housing does not include Axle Shafts.

NOTE: Component parts for Cone and Spring type Carriers are not serviced separately.

For replacement refer to Code 3-03-2 Differential, Partial.

NOTE: The 8 3/4" diameter Gear Axles with 1 3/8" stems are replaced with a 1 7/8" diameter stem for service replacement of the Differential with Carrier Assembly

NOTE: All 8 3/4" diameter Gear Axles have 29 Tooth Splines
Differential Partial.

3-03-1 DIFFERENTIAL, w/CARRIER AND HOUSING

RATIO	GEAR DIA.	STEM DIA.	WITH OR W/O SURE GRIP	MODEL	REMARKS	SERVICE NO.
2.76 to 1	7 1/4"	1 3/8"	w/o	V, L	See Note 2	3507 725
2.76 to 1	7 1/4"	1 3/8"	w/o	V, L	See Note 3	3507 906
2.76 to 1	7 1/4"	1 3/8"	With	V, L	See Note 2	3507 726
2.76 to 1	7 1/4"	1 3/8"	With	V, L	See Note 3	3507 909
3.23 to 1	7 1/4"	1 3/8"	w/o	V, L	See Note 2	3507 587
3.23 to 1	7 1/4"	1 3/8"	w/o	V, L	See Note 3	3507 907
3.55 to 1	7 1/4"	1 3/8"	w/o	V, L	See Note 2	3507 728
3.55 to 1	7 1/4"	1 3/8"	w/o	V, L	See Note 3	3507 908
2.45 to 1	8 1/4"	1 5/8"	w/o	R, W		3507 169
2.71 to 1	8 1/4"	1 5/8"	w/o	R2, W2	w/318 Eng.	3507 170
2.71 to 1	8 1/4"	1 5/8"	w/o	R2, W2	Except Wgn., w/400 Eng.	# 3723 084
2.71 to 1	8 1/4"	1 5/8"	With	R, W	Note 1	3507 965
2.71 to 1	8 1/4"	1 5/8"	With	P, D, C	Note 1	3507 966
2.71 to 1	8 1/4"	1 5/8"	w/o	P, D, C		3507 707
3.21 to 1	8 1/4"	1 5/8"	w/o	R2, W2	Except Sta. Wgn.	3507 171
2.94 to 1	8 1/4"	1 5/8"	w/o	R, W,	Except Sta. Wgn.	3507 703
2.94 to 1	8 1/4"	1 5/8"	w/o	R, W,	Sta. Wgn.	3507 704
2.94 to 1	8 1/4"	1 5/8"	w/o	P, D		3507 708
3.21 to 1	8 1/4"	1 5/8"	w/o	R, W,	Sta. Wgn.	3507 705
3.21 to 1	8 1/4"	1 5/8"	w/o	P, D		3507 709
3.55 to 1	8 1/4"	1 5/8"	w/o	R, W,	Sta. Wgn.	3507 706
3.55 to 1	8 1/4"	1 5/8"	w/o	P, D		3507 710
3.54 To 1	9 3/4"	—	With	R2, W2		3507 552
DIFFERENTIAL w/CARRIER, W/O HOUSING						
2.76 To 1	8 3/4"	1 7/8"	w/o	B, J, R, W P2, D2, C		3507 940
2.76 To 1	8 3/4"	1 7/8"	With	R, W, P, D, C		3507 446
2.94	8 3/4"	1 7/8"	w/o	R, W, P, D	Used w/7260 Yoke	3507 934
3.23 to 1	8 3/4"	1 7/8"	With	V, L, B, J, R, W, P, D, C, Y		3507 448
3.23 To 1	8 3/4"	1 7/8"	w/o	V, L, B, J, R, W, P, D, C, Y		3507 941
3.55 To 1	8 3/4"	1 7/8"	With	V, L, B, J, R, W	Used w/7290 Yoke	3507 449
3.55 to 1	8 3/4"	1 7/8"	With	V, L, B, J	Used w/7260 Yoke	3507 443
3.55 to 1	8 3/4"	1 7/8"	w/o	V, L	Used w/7260 Yoke	3507 935

NOTE: 1 The 8 1/4" diameter gear axle with sure-grip went into production approx. December 22, 1971

NOTE: 2 UP TO Approx. Dec. 1, 1971, w/o Adjuster Type Axle

NOTE: 3 After Approx. Dec. 1, 1971, w/Adjuster Type Axle

NOTES

CARLINES

J - Challenger
B - BarracudaV - Valiant
L - DartR - Satellite
W - Coronet - ChargerP - Plymouth
D - DodgeC - Chrysler
Y - Imperial

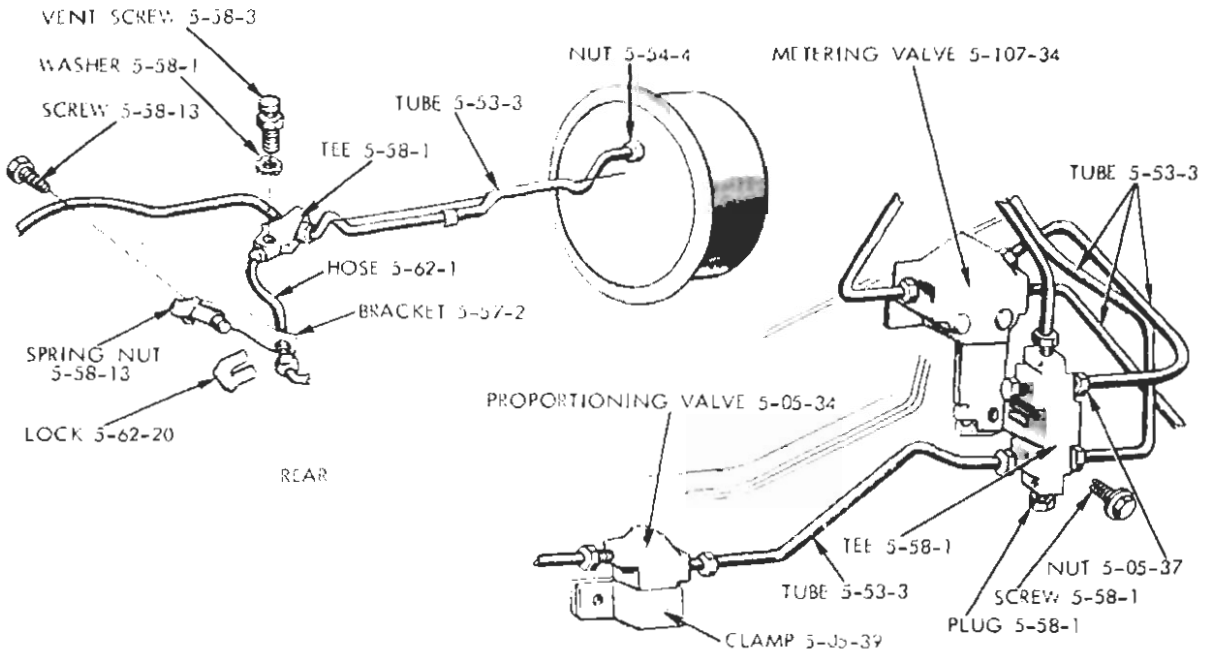
AR Indicates use as required.

Indicates parts not listed in any previous parts book.

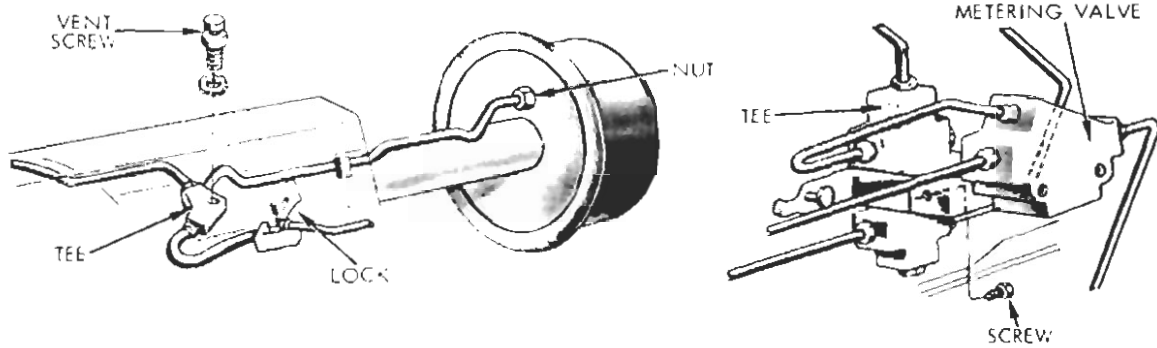
Numerals in parentheses () refer to notes.

★ Indicates change or addition.

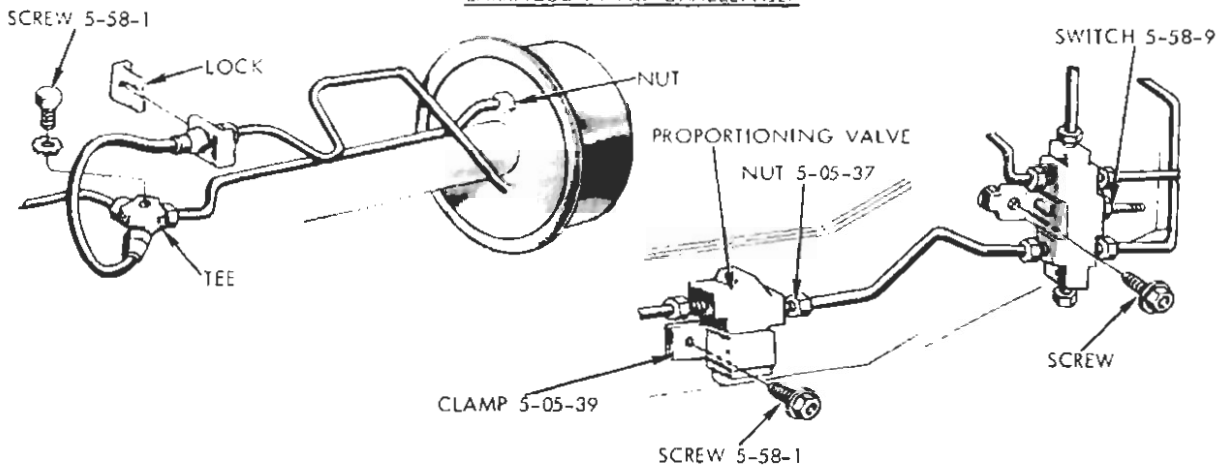
Printed in U.S.A.
November 1972



BELVEDERE AND CORONET (TYPICAL OF PLYMOUTH, DODGE, CHRYSLER AND IMPERIAL)



BARRACUDA AND CHALLENGER



VALIANT AND DART

19a2897 A

BRAKE LINES

CODE	PART NAME	ENG. TYPE OR CU. IN	V	B J	L	R	W	P	D	C (L)	C (P)	C (H)	Y (S)	PART NUMBER
5-100-0 POWER BRAKE POWER UNIT Cont'd.														
5-100-20	ROD, Push Brake Pedal To Booster Linkage		1	—	1	—	—	—	—	—	—	—	—	3461 010
	Brake Pedal to P/Brake Linkage		—	1	—	1	1	—	—	—	—	—	—	3461 148
	Master Cyl. Output Push w/Disc & P/Brakes		—	1	—	1	1	—	—	—	—	—	—	2944 499
	w/Auto. Trans. w/Disc Brakes		—	—	—	—	—	1	1	1	—	1	—	2944 499
	Exc. Sta. Wgn.		—	1	—	1	1	—	—	—	—	—	—	3461 148
	Pedal Push w/Disc & P/Brakes		—	1	—	1	1	—	—	—	—	—	—	3461 148
	w/Auto. Trans. w/Disc Brakes		—	—	—	—	—	1	1	1	—	1	—	3461 148
	Exc. Sta. Wgn.		—	—	—	—	—	1	1	1	—	1	—	2944 116
	Plunger Push, w/Disc Brakes		—	—	—	—	—	1	1	1	1	1	1	2944 116
5-100-26	BOOT, Pedal Linkage to Firewall		1	—	1	—	—	—	—	—	—	—	—	2643 731
	Plunger to Push Rod w/Disc & P/Brakes		—	1	—	1	1	—	—	—	—	—	—	3461 001
	w/Auto. Trans. w/Disc Brakes exc. Wgn.		—	—	—	—	—	1	1	1	—	1	—	3461 001
	w/Man. Trans. w/Disc Brakes		—	—	—	—	—	1	1	—	—	—	—	2944 020
	w/Disc Brakes Sta. Wgn.		—	—	—	—	—	—	—	—	—	—	—	2944 020
	Y All		—	—	—	—	—	—	1	—	1	—	1	2944 020
	Push Rod, W/Power And Disc Brakes		—	1	—	1	1	—	—	—	—	—	—	3461 005
	w/Auto. Trans. w/Disc Brakes Exc. Wgn.		—	—	—	—	—	1	1	1	—	1	—	3633 324
5-100-32	RETAINER													
	Push Rod to Plunger w/P/Brakes		1	—	1	—	—	—	—	—	—	—	—	2401 166
	w/3 Speed Man. Trans. w/Disc Brakes		—	—	—	—	—	1	1	—	—	—	—	2401 166
	w/Disc Brakes		—	—	—	—	—	—	—	—	1	—	1	2401 166
5-100-34	LEVER, w/Reaction Ring w/P/Brakes		1	—	1	—	—	—	—	—	—	—	—	2944 019
	w/3 Speed Man. Trans. w/Disc Brakes		—	—	—	—	—	1	1	—	—	—	—	2944 019
	w/Disc Brakes		—	—	—	—	—	—	—	—	1	—	1	2944 019
5-100-62	SCREW, Master Cyl. Push Rod		1	1	1	1	1	1	1	1	1	1	1	2660 776
5-100-189	HUB and LEVER,													
			1	—	1	—	—	—	—	—	—	—	—	3461 262
	Exc. Sta. Wgn.		—	1	—	1	1	1	1	1	—	1	—	3461 295
	BOLT, P/Brake Lever Hub		—	1	—	1	1	—	—	—	—	—	—	6029 291
5-100-192	WASHER, Linkage Pin Spring		2	—	2	—	—	—	—	—	—	—	—	869 770
5-100-194	PIN													
	Power Brake Linkage Clevis		—	2	—	2	2	—	—	—	—	—	—	2075 006
	Power Brake Push Rod Clevis Exc. P,D,C, Wgn.		1	2	1	2	2	2	2	2	—	2	—	2075 006
	Power Brake Hub Linkage Clevis		1	—	1	—	—	—	—	—	—	—	—	3461 281
	Power Brake Linkage Lever Clevis		1	—	1	—	—	—	—	—	—	—	—	3461 282
5-100-197	SILENCER, Valve Body													
	Rr. Exc. P,D,C, Wgn.		—	1	—	1	1	1	1	1	—	1	—	3461 008
5-100-198	SLEEVE, Power Brake Lever Hub													
	B,J,R,W		—	1	—	1	1	—	—	—	—	—	—	2534 227
5-100-199	RETAINER, Valve Silencer													
	Exc. P,D,C, Wgn.		—	1	—	1	1	1	1	1	—	1	—	3461 290
5-100-206	SEAL and PLATE, Exc. P,D,C, Wgn.		—	1	—	1	1	1	1	1	—	1	—	2401 894
5-100-212	GROMMET, Vacuum Connector to Frt. Hsg.		1	1	1	1	1	1	1	1	1	1	1	2467 576

5-101-0 POWER UNIT MOUNTING BRACKET

5-101-1	Bracket, P/Brake Mtg. Rt.		1	—	1	—	—	—	—	—	—	—	—	3461 280
	Lt.		1	—	1	—	—	—	—	—	—	—	—	3461 279
5-101-5	SUPPORT, Power Brake to Dash Pnl.		1	—	1	—	—	—	—	—	—	—	—	2823 604
	BRACE, Power Brake to Fender Shield		1	—	1	—	—	—	—	—	—	—	—	2823 603

CARLINES

J - Challenger
B - BarracudaV - Valiant
L - DartR - Satellite
W - Coronet - ChargerP - Plymouth
D - DodgeC - Chrysler
Y - Imperial

AR Indicates use as required.

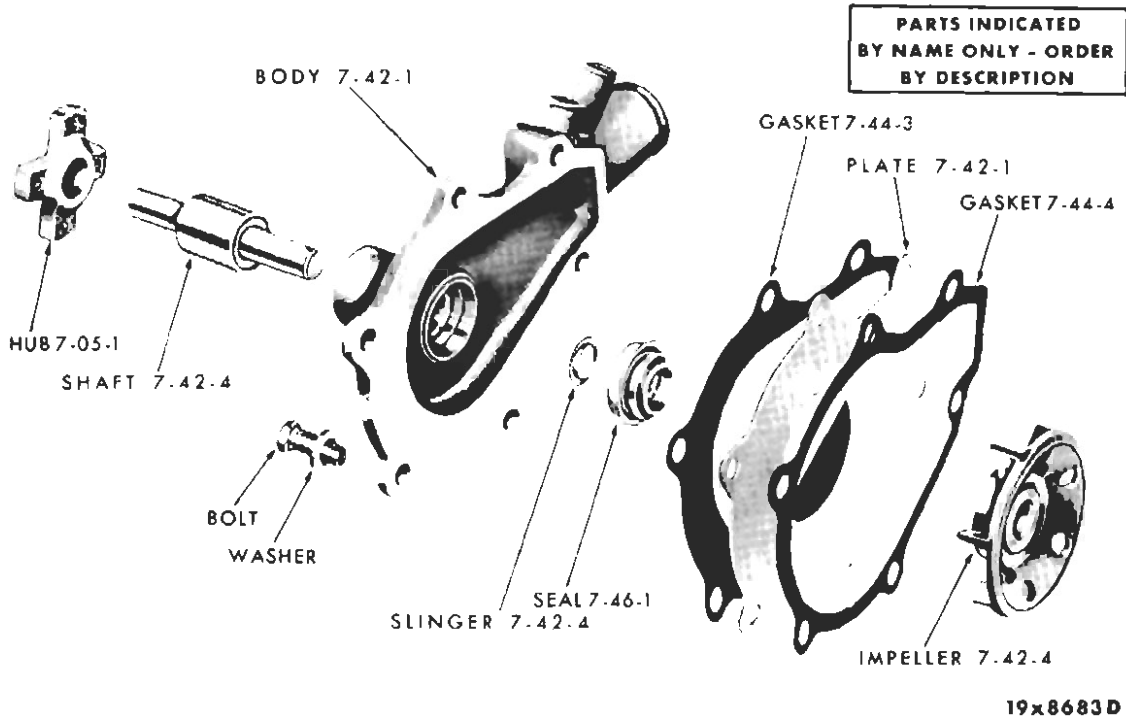
Indicates parts not listed in any previous parts book.

Numerals in parentheses () refer to notes.

★ Indicates change or addition.

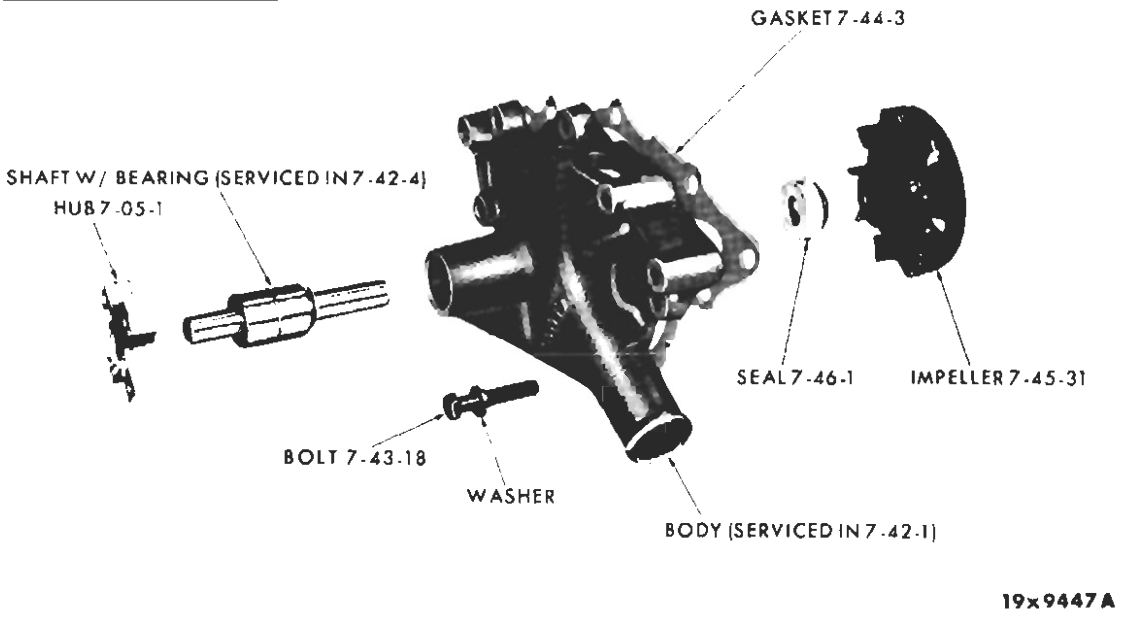
Printed in U.S.A.

November 1972



WATER PUMP - 6 CYLINDER

PARTS INDICATED BY NAME ONLY - ORDER BY DESCRIPTION



WATER PUMP - 318 AND 340 ENGINE

CODE	PART NAME	ENG. TYPE OR CU. IN	V	B J	L	R	W	P	D	C (L M)	C (P)	C (H S)	Y	PART NUMBER
7-04-0 FAN AND ALTERNATOR IDLER PULLEY Cont'd.														
7-04-5	BRACKET Cont'd. Belt Tightener w/400, 440 Eng. u/w Calif. Emission Pkg. Up To Jan. 21, 72		—	—	—	1	1	1	1	1	1	1	—	3671 313
	Belt Tightener w/400, 440 Eng. u/w Calif. Emission Pkg. After Jan. 21, 72		—	—	—	1	1	1	1	1	1	1	—	3698 658
	Fan Idler Mtg. R, W, P-L, P-M, D-L, D-M w/400, 440 Eng. Fleet Use Only State Of Calif.		—	—	—	1	1	1	1	—	—	—	—	3571 834
7-04-6	BOLT, w/Pump Fan Belt Idler Pulley Adj. w/318, 340 Eng. w/A/Cond. w/Manual Strg. 3/8" x 5.38"		1	1	1	—	—	—	—	—	—	—	—	9411 859
	w/318, 340 Eng. w/A/Cond. w/ Manual Strg. w/50 Amp. Altr. 3/8" x 5.38"		—	—	—	1	1	—	—	—	—	—	—	9411 859
7-04-9	SUPPORT, Fan Idler Bracket To W/Pump Housing R, W, P-L, P-M, D-L, D-M w/400, 440 Eng. Fleet Use Only State Of Calif.		—	—	—	1	1	1	1	—	—	—	—	3571 835
7-04-10	SPACER, Fan Belt Idler Pulley w/400, 440 Eng. w/A/Cond. w/o Calif. Emission Pkg. w/400, 440 Eng. w/A/Cond. w/ Leece-Neville Altr.		—	—	—	1	1	1	1	1	1	1	—	3671 078
	Fan Idler To Fan Idler Mtg. Bracket R, W, P-L, P-M, D-L, D-M w/400, 440 Eng. Fleet Use Only State Of Calif.		—	—	—	1	1	1	1	—	—	—	—	2465 381
			—	—	—	1	1	1	1	—	—	—	—	3571 836
7-04-17	SHIELD, Fan Belt Idler Pulley Brg. A/Cond. Compr. w/225 Eng. w/318, 340 Eng. w/A/Cond. w/Manual Strg. w/318, 340 Eng. w/A/Cond. w/Manual Strg. w/50 Amp. Altr.		1	—	1	1	1	—	—	—	—	—	—	2658 758
	w/400, 440 Eng. w/A/Cond. w/o Calif. Emission Pkg.		1	1	1	—	—	—	—	—	—	—	—	2658 758
	Air Pump Idler Pulley Brg. w/225 Eng. w/A/Cond. u/w Calif. Emission Pkg. w/Manual Strg.		—	—	—	1	1	1	1	1	1	1	1	2658 758
			1	—	1	—	—	—	—	—	—	—	—	2658 758

7-05-0 FAN PULLEY HUB

7-05-1	HUB, Fan Pulley		1	1	1	1	1	1	1	1	1	1	1	2129 265
--------	-----------------	--	---	---	---	---	---	---	---	---	---	---	---	----------

7-06-0 FAN DRIVE PULLEY

7-06-1	PULLEY, Drive w/225 Eng. w/Leece-Neville Altr. 1 Groove		—	—	—	1	1	1	1	—	—	—	—	3671 615
	PULLEY PACKAGE, Fan & Altr. Drive w/225 Eng. w/Leece Neville Altr. 1 Groove After March 1, 72		—	—	—	1	1	1	1	—	—	—	—	3685 688
	w/318, 340 Eng. w/Manual Strg. w/o A/Cond. 1 Groove		1	1	1	—	—	—	—	—	—	—	—	3614 375

CARLINES J - Challenger
B - Barracuda V - Valiant
L - Dart

R - Satellite
W - Coronet - Charger P - Plymouth
D - Dodge

C - Chrysler
Y - Imperial

AR Indicates use as required.

Numerals in parentheses () refer to notes.

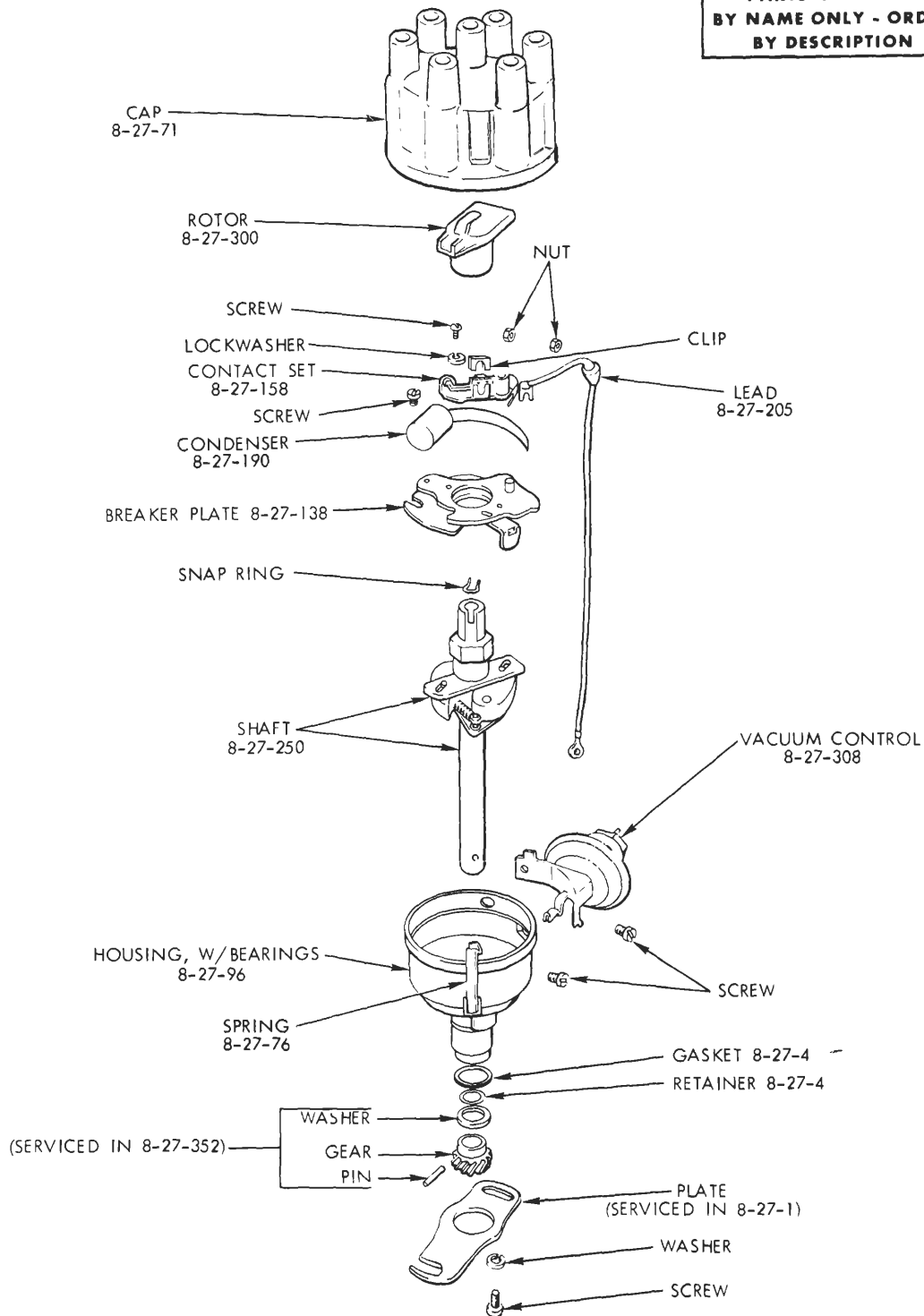
Printed in U.S.A.

Indicates parts not listed in any previous parts book.

★ Indicates change or addition.

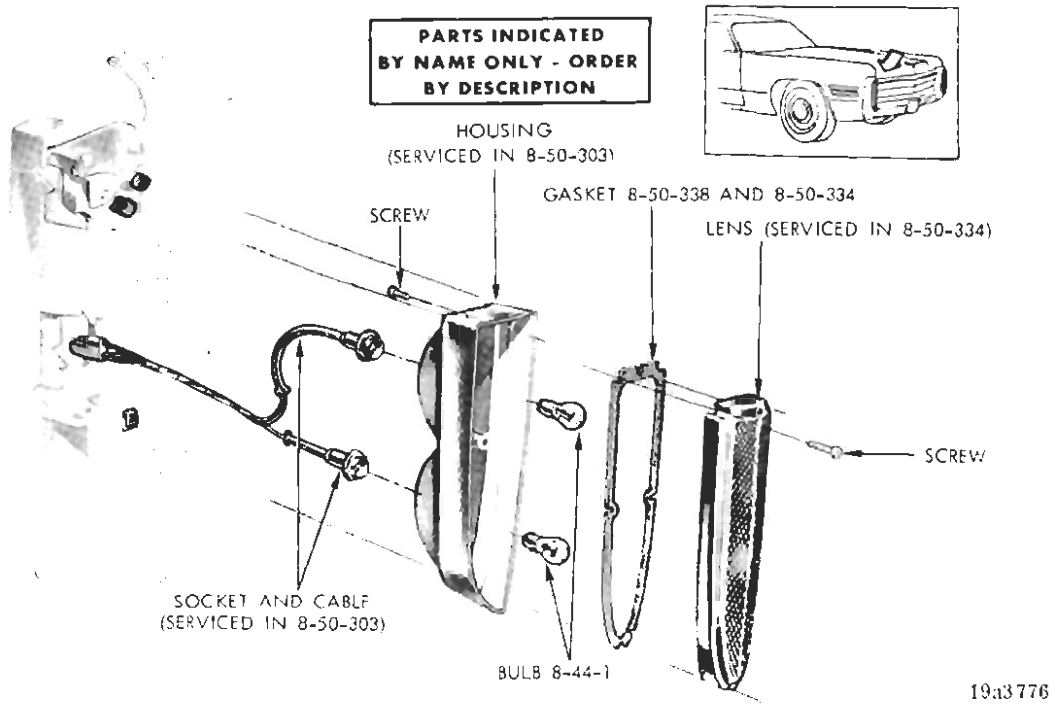
November 1972

PARTS INDICATED
BY NAME ONLY - ORDER
BY DESCRIPTION

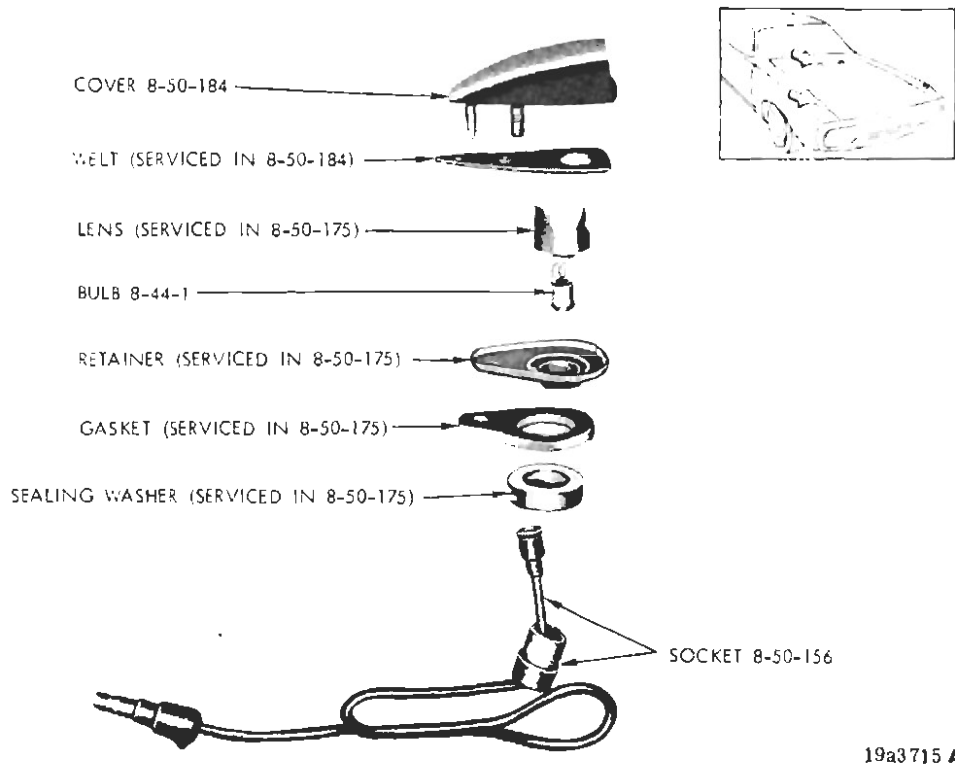


19a2519 A

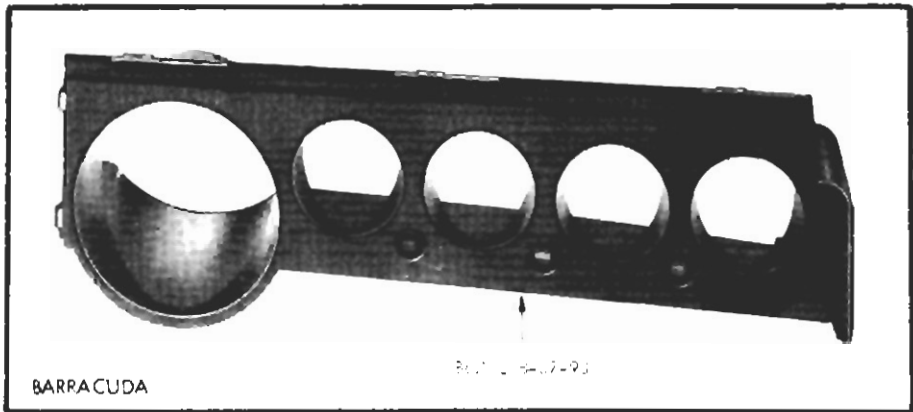
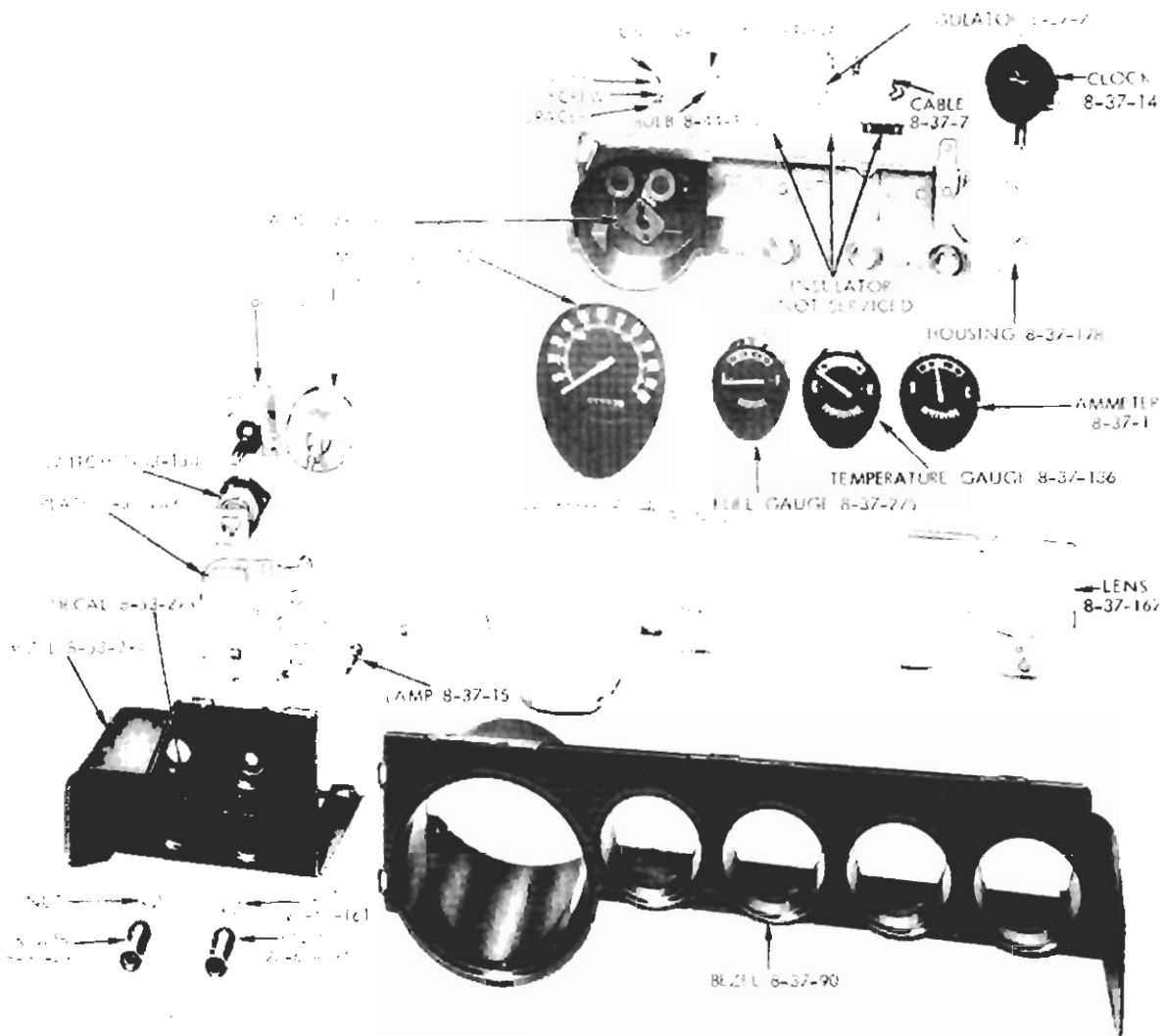
DISTRIBUTOR - 6 CYLINDER - CHRYSLER BUILT



PARKING AND TURN SIGNAL LAMP - Y



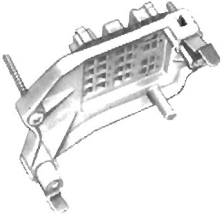



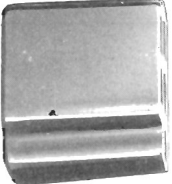
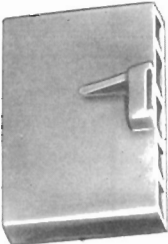
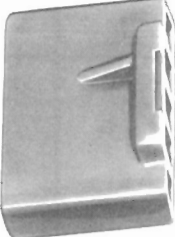

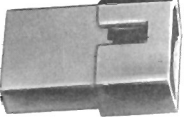


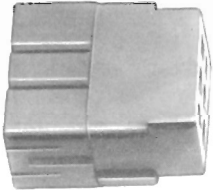
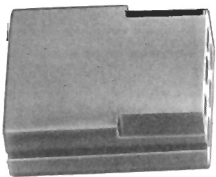


FENDER TURN INDICATOR LAMP - R 2 D. AND 2 D.H.T.



**PARTS INDICATED
BY NAME ONLY - ORDER
BY DESCRIPTION**

19a2899 C

INSTRUMENT CLUSTER - B AND J

 <p>2983217</p>	 <p>2257839</p>	 <p>3513637</p>	 <p>2291663</p>
 <p>3513150</p>	 <p>3513155</p>	 <p>3513156</p>	 <p>2889427 (TYPICAL OF 3513349)</p>
 <p>2889428 (TYPICAL OF 3513350)</p>	 <p>2889542</p>	 <p>2889543</p>	 <p>2983239</p>
 <p>3513347 (TYPICAL OF 2983237)</p>	 <p>3438709</p>	 <p>3438729</p>	

19a3507A

TERMINAL CHART

CODE	PART NAME	ENG. TYPE OR CU. IN	V	B J	L	R	W	P	D	C			Y	PART NUMBER
										(L M)	(P)	(H S)		
8-17-0 FUSES Cont'd.														
8-17-23	FUSE HOLDER, H/Lamp Delay Relay Auto. H/Lamp Sentinel and Dimmer		—	—	—	—	—	1	1	—	—	—	—	1885 608 2257 682
8-17-30	CIRCUIT BREAKER, 30 Amp., w/Power Windows 15 Amp., Sta. Wgn., w/Auto. Lock T/Gate 15 Amps., for Door Locks 15 Amps., for A/Cond. 5 Amp.		—	—	—	1	1	1	1	1	1	1	1	3620 840 3620 861 3620 839 3450 248 2983 415
8-19-0 INSTRUMENT PANEL WIRING														
8-19-3	WIRING, Inst. Panel, up to approx. Nov. 1971		1	—	1	—	—	—	—	—	—	—	—	3588 068
	after approx. Nov. 1971 w/o Rallye Inst. Panel, up to approx. Nov. 1971		1	—	1	—	—	—	—	—	—	—	—	3588 482
	after approx. Nov. 1971 w/Rallye Inst. Panel, up to approx. Nov. 1971		—	1	—	—	—	—	—	—	—	—	—	3588 057 3588 471
	after approx. Nov. 1971 w/o Rallye Inst. Panel, up to approx. Nov. 1971		—	1	—	—	—	—	—	—	—	—	—	3588 058 3588 472
	after approx. Nov. 1971 w/Rallye Inst. Panel, up to approx. Nov. 1971		—	—	—	1	1	—	—	—	—	—	—	3588 132 3588 473
	after approx. Nov. 1971 w/o Rallye Inst. Panel, up to approx. Nov. 1971		—	—	—	1	1	—	—	—	—	—	—	3588 134 3588 475
	after approx. Nov. 1971 up to approx. Nov. 1971		—	—	—	—	—	1	1	—	—	—	—	3588 037 3588 462
	after approx. Nov. 1971 w/H/Lamp Sentinel, up to approx. Nov. 1971		—	—	—	—	—	—	—	1	1	1	—	3588 105 3588 640
	after approx. Nov. 1971 w/o H/Lamp Sentinel		—	—	—	—	—	—	—	1	1	1	—	3588 464
	w/H/Lamp Sentinel, up to approx. Nov. 1971		—	—	—	—	—	—	—	—	—	—	1	3588 077
	after approx. Nov. 1971 w/o H/Lamp Sentinel		—	—	—	—	—	—	—	—	—	—	1	3588 465 3588 466
	w/o Rr. Seat Speaker, w/AM Radio w/Stereo Tape (Cassette, w/AM/FM Multiplex Radio		—	1	—	—	—	—	—	—	—	—	—	2983 246
	Low Fuel and Lock Door Ind. Lamp		—	—	—	—	—	1	1	—	—	—	—	3513 321
	Inst. Warning Lamp and Ammeter, up to approx. Nov. 1971		—	—	—	—	—	—	—	1	1	1	—	3588 089 3588 467
	after approx. Nov. 1971 Cluster Lamp		—	—	—	—	—	1	1	—	—	—	—	3588 174
	up to March 20, 1972 after March 20, 1972		—	—	—	—	—	—	—	2	2	2	2	3513 455 3588 644
8-19-7	WIRING EXTENSION, H/Lamp Switch, 3 Way		—	—	—	—	—	AR	AR	AR	AR	AR	AR	2231 105
8-19-10	RETAINER, Inst. Panel Wiring Harness		—	—	—	1	1	—	—	—	—	—	—	3513 189
8-19-15	PRINTED CIRCUIT BOARD w/o Rallye Inst. Panel		1	—	1	—	—	—	—	—	—	—	—	2771 222 2985 415
			—	—	—	—	—	—	—	1	1	1	—	2927 259
			—	—	—	—	—	—	—	—	—	—	1	2984 630
8-19-18	SCREW, Mtg. SCREW and WASHER, to Hsg. PLAINWASHER, Mtg. Screw		4	—	4	—	—	—	—	—	—	—	—	451 322 6027 175 9419 854

CARLINES

J - Challenger
B - BarracudaV - Valiant
L - DartR - Satellite
W - Coronet - ChargerP - Plymouth
D - DodgeC - Chrysler
Y - Imperial

AR Indicates use as required.

Indicates parts not listed in any previous parts book.

Numerals in parentheses () refer to notes.

★ Indicates change or addition.

Printed in U.S.A.
November 1972

CODE	PART NAME	ENG. TYPE OR CU. IN	V	B J	L	R	W	P	D	C (L M)	C (P)	C (H S)	Y	PART NUMBER
8-31-0 PARKING BRAKE SIGNAL LAMP														
8-31-8	HOUSING, Brake Warning Ind. Lamp, w/Rallye Inst. Panel		—	1	—	—	—	—	—	—	—	—	—	2984 207
8-31-10	SWITCH, Brake System Ind. Lamp w/Disc Brakes		1	—	1	—	—	—	—	—	—	—	—	2822 023
	w/o Disc Brakes		—	1	—	1	1	1	1	1	1	1	—	3488 449
	SWITCH, Parking Brake Ind. Lamp		—	1	—	1	1	1	1	1	1	1	—	3488 515
			1	—	1	—	—	—	—	—	—	—	—	2889 053
			—	1	—	1	1	1	1	1	1	1	—	2291 852
8-31-11	BRACKET, Brake Ind. Lamp Switch Mtg.		1	—	1	—	—	—	—	—	—	—	—	2822 599
	SCREW, Mtg.		1	—	1	—	—	—	—	—	—	—	—	9415 921
	NUT and WASHER, Mtg.		1	—	1	—	—	—	—	—	—	—	—	6023 215
8-31-16	SOCKET, Brake Warning Ind. Lamp, on Printed Circuit Board		1	—	1	1	1	—	—	—	—	—	—	2496 279
	Dual Brake Warning Lamp w/Rallye Inst. Panel		—	1	—	—	—	1	1	1	1	1	—	1753 632
			—	—	—	1	1	—	—	—	—	—	—	1753 632
8-31-18	CONTACT, Dual Brake Warning Lamp Socket		—	1	1	1	1	1	1	1	1	1	1	2256 966
8-32-0 HORN														
8-32-2	HORN PACKAGE, High Note		1	1	1	1	1	1	1	1	1	1	1	2808 869
	Low Note		1	1	1	1	1	1	1	1	1	1	1	2808 868
	w/BRKT., R-M		—	—	—	1	—	—	—	—	—	—	—	3488 646
8-33-0 HORN CONTROLS														
8-33-5	RETAINER, Horn Ring		1	—	1	1	1	1	1	—	—	—	—	2996 884
	Horn Button		1	1	1	1	1	—	—	—	—	—	—	3467 836
8-33-6	ORNAMENT, Strg. Wheel, w/Horn Button Padded		1	—	—	1	—	—	—	—	—	—	—	3467 485
	w/Full Horn Ring, Exp.		1	—	—	—	—	—	—	—	—	—	—	3467 492
	w/3 Spoke Horn Button, R-T, R-L, R-H, P-T, P-L, P-M		1	—	—	1	—	1	—	—	—	—	—	3467 461
	w/Full Horn Ring, Exp.		—	—	1	—	1	—	—	—	—	—	—	3467 493
	w/Horn Button Padded		—	—	1	—	1	—	—	—	—	—	—	3467 486
	w/3 Spoke Horn Button, except D-P		—	—	1	—	—	—	1	—	—	—	—	3467 462
	w/Partial Horn Ring		—	—	—	1	—	1	—	—	—	—	—	3467 492
	w/Tilt Strg. Wheel		—	—	—	1	—	—	—	—	—	—	—	2996 888
	w/3 Spoke Horn Button, R-M		—	—	—	1	—	—	—	—	—	—	—	3467 464
	w/Horn Button Padded, R-M		—	—	—	1	—	—	—	—	—	—	—	3467 487
	w/Partial Horn Ring		—	—	—	—	1	—	1	—	—	—	—	3467 493
	w/Tilt Strg. Wheel		—	—	—	—	1	—	—	—	—	—	—	2996 889
	w/Tilt Strg. Wheel and Rim Blow Strg. Wheel		—	—	—	—	—	1	—	—	—	—	—	2996 888
	w/Tilt Strg. Wheel and Rim Blow Strg. Wheel		—	—	—	—	—	—	1	—	—	—	—	2996 889
	w/Tilt-Tel. Strg. Wheel and Rim Blow Strg. Wheel		—	—	—	—	—	—	—	1	1	1	—	2996 890
w/3 Spoke Wheel		—	—	—	—	—	—	—	1	1	1	—	3575 058	
w/Rim Blow Strg. Wheel		—	—	—	—	—	—	—	—	—	—	1	2996 891	
8-33-13	PAD and RING, Strg. Wheel Horn, w/Full Horn Ring-KDX	Black	1	—	1	—	1	—	—	—	—	—	—	4042 FX9
		Blue	—	—	1	—	1	—	—	—	—	—	—	4042 HB5
		Green	1	—	1	—	1	—	—	—	—	—	—	4042 HF6
	PAD and RING, Strg. Wheel Horn, w/Partial Horn Ring	Black	—	—	—	1	1	1	1	—	—	—	—	4042 FX9

CARLINES

J - Challenger
B - BarracudaV - Valiant
L - DartR - Satellite
W - Coronet - ChargerP - Plymouth
D - DodgeC - Chrysler
Y - Imperial

AR Indicates use as required.

Indicates parts not listed in any previous parts book.

Numerals in parentheses () refer to notes.

★ Indicates change or addition.

Printed in U.S.A.

November 1972

8-44-0 BULBS Cont'd.

CODE	REMARKS	CARLINE	V-L	B-J	R-W	P-D-C	Y	SERVICE NO.
8-44-1	BULB LOCATIONS Cont'd.							
	Temp. Ind.	C	----	----	----	57	----	127 934
	Pocket Panel Lamp	----	----	90	90	----	----	142 453
	Lock Door Ind.	----	----	----	----	----	158	9415 969
	Sure Brake	----	----	----	----	----	57	127 934
	Sentry Signal	----	----	----	----	----	158	9415 969
	Tachometer, w/Rallye Int. Panel	P,D	----	----	----	1816	----	152 240
	Tilt Column Gear Selector	----	----	----	1445	----	----	274 004
	Door Ind.	P,D	----	----	----	57	----	127 934
	Parking and Turn Signal Lamp	Clear Amber	1157 1157NA	1157 1157NA	1157 1157NA	1157 1157NA	1157 1157NA	9417 867 9423 295
	Back-Up Lamp	----	1156	1156	1156	1156	1156	9417 866
	Cornering Lamp	D C Y	----	----	----	1156 1293	----	9417 866 9427 336 9428 554
	Fender Turn Signal Ind. Lamp	----	330	330	330	330	330	9423 277
	Check Doors and Seat Belt Ind.	----	----	----	1892	----	----	274 020
	Heater Control	----	----	----	----	1816	1816	152 240
	Fuel Ind.	P,D	----	----	----	57	----	127 934
	Tail, Stop and Turn Signal Lamp	----	1157	1157	1157	1157	1157	9417 867
	NOTE: ■ Included in Inst. Cluster Lighting							
	NOTE: Refer to Bulb Ill. for Bulb Identification							

NOTES

CARLINES	J - Challenger B - Barracuda	V - Valiant L - Dart	R - Satellite W - Coronet - Charger	P - Plymouth D - Dodge	C - Chrysler Y - Imperial
----------	---------------------------------	-------------------------	--	---------------------------	------------------------------

AR Indicates use as required.

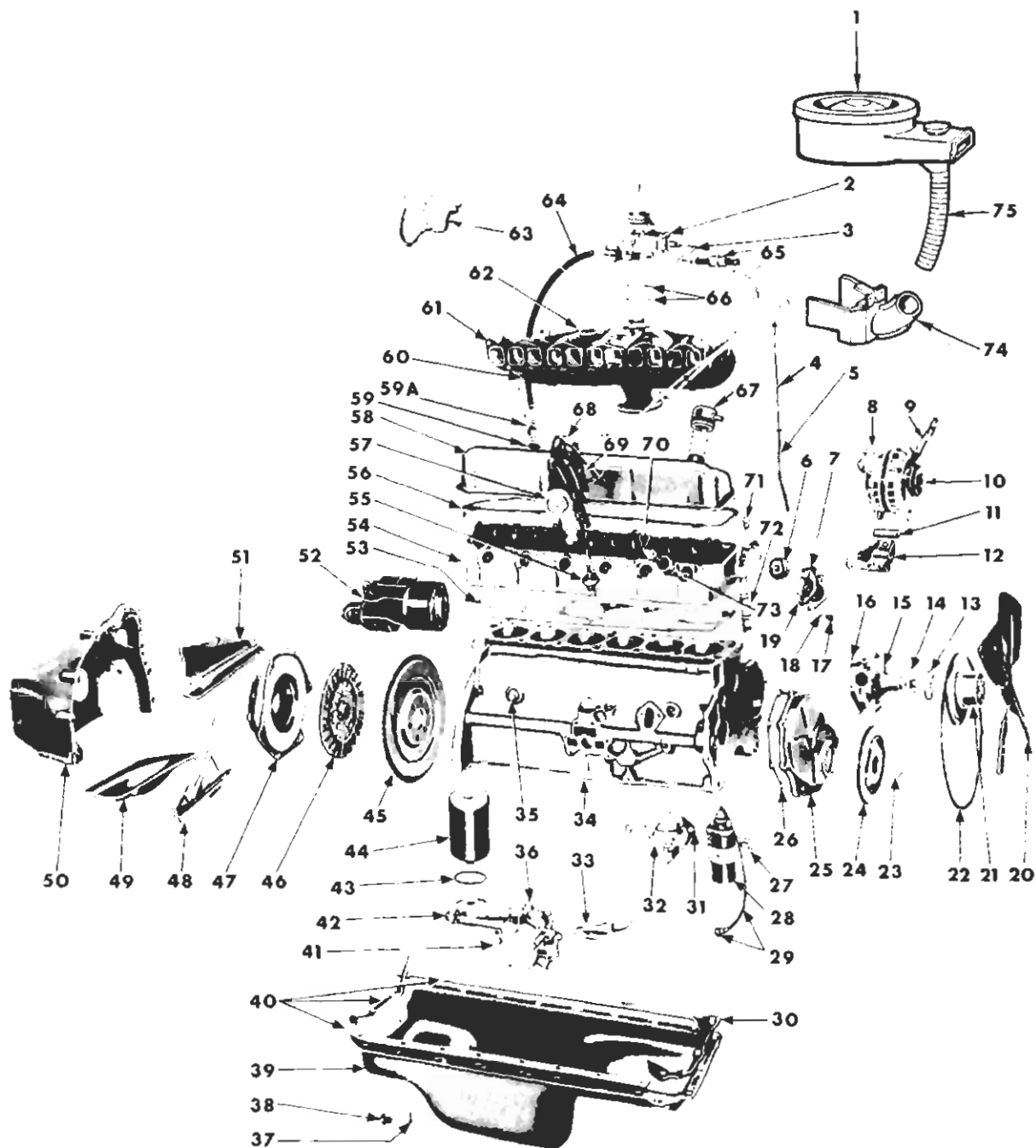
Indicates parts not listed in any previous parts book.

Numerals in parentheses () refer to notes.

★ Indicates change or addition.

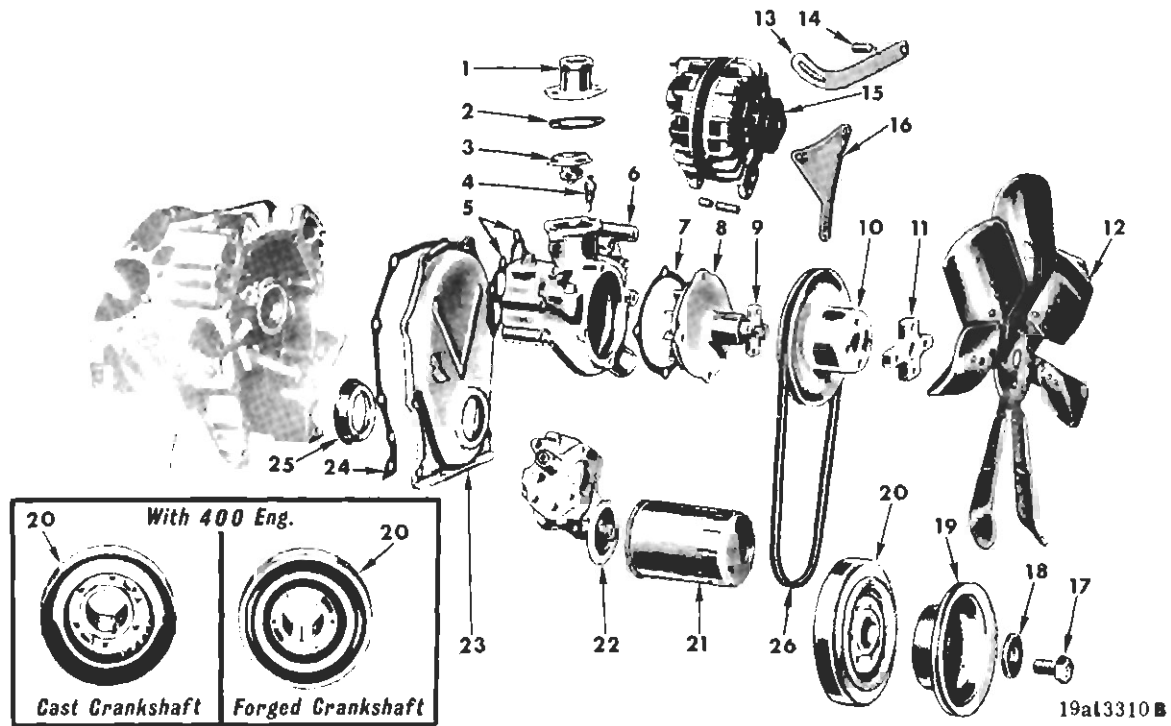
Printed in U.S.A.

November 1972



19aL2110A

EXTERNAL ENGINE - 198 AND 225 6 CYLINDER ENGINE



EXTERNAL PARTS - FRONT - 400 AND 440 8 CYLINDER ENGINES

Ref. No.	Name	Part Type Code	Ref. No.	Name	Part Type Code
1	Connector	9-05-5	14	Spacer	8-28-292
2	Gasket	9-05-6	15	Alternator	8-28-3
3	Thermostat	7-41-4	16	Bracket	
4	Sending Unit	8-37-155	17	Screw	9-07-8
5	Gasket	7-44-4	18	Washer	9-07-22
6	Housing	7-43-1	19	Pulley	7-06-1
7	Gasket	7-44-3	20	Damper	9-13-5
8	Pump	7-42-1	21	Filter	10-26-6
9	Hub	7-05-1	22	Pump	10-07-6
10	Pulley	7-06-14	23	Cover	9-23-5
11	Hub	7-05-1	24	Gasket	9-23-17
12	Fan	7-02-1	25	Oil Seal	9-23-18
13	Strap	8-28-15	26	Belt	7-03-1

PARTS INDICATED BY NAME ONLY - ORDER BY DESCRIPTION

1972 PASSENGER CAR PARTS CATALOG

ENGINE

CODE	PART NAME AND DESCRIPTION	PER CAR	CU. IN. DISPLACEMENT & PISTON BORE SIZE				
			318	340	360	400	440
			3.91	4.04	4.00	4.34	4.32

EIGHT CYLINDER ENGINES

9-46-0 TORQUE CONVERTER Cont'd.

9-46-4	TORQUE CONVERTER Cont'd. w/Cast Type Crankshaft (See Note 3 Page 1)	1	-----	# 3681 641	-----	-----	-----	-----
	w/2 Bbl. Carb.	1	-----	-----	3410 918	-----	-----	-----
	w/O. Cast Crankshaft w/2 Bbl. Carb.	1	-----	-----	-----	2843 586	-----	-----
	w/Cast Crankshaft (To identify this converter a welded weight is on each side of the drain Plug.	1	-----	-----	-----	3515 282	-----	-----
	w/4 Bbl. Carb.	1	-----	-----	-----	-----	2843 586	-----
	w/3-2 Bbl. Carb's.	1	-----	-----	-----	-----	3410 839	-----
9-46-8	PLATE, Torque Converter Drive w/Heavy Duty A727 Trans. w/2 Bbl. Carb.	1	2400 885	2400 885	2400 885	-----	-----	2204 768
	w/4 Bbl. Carb.	1	2204 768	-----	-----	-----	-----	-----
		1	-----	-----	-----	2204 768	-----	-----
		1	-----	-----	-----	2400 885	-----	-----
9-46-21	SCREW, Torque Converter Drive Plate to Crankshaft	6	1949 424	1949 424	1949 424	1949 424	1949 424	1949 424
	SCREW, Drive Plate to Torque Converter	4	1949 765	1949 765	1949 765	1949 765	1949 765	1949 765
9-46-31	COOLER, Radiator Core Oil Lgh. Wide							
	7.37" x 1.00"	AR	2998 999	2998 999	2998 999	2998 999	2998 999	2998 999
	7.37" x 1.25"	AR	2998 998	2998 998	2998 998	2998 998	2998 998	2998 998
	11.37 x 1.00"	AR	2998 997	2998 997	2998 997	2998 997	2998 997	2998 997
	13.37 x 1.25"	AR	2998 996	2998 996	2998 996	2998 996	2998 996	2998 996
	16.37 x 1.25"	AR	2998 995	2998 995	2998 995	2998 995	2998 995	2998 995
	13.37 x 1.50"	AR	2998 994	2998 994	2998 994	2998 994	2998 994	2998 994
	11.37 x 1.50"	AR	2998 993	2998 993	2998 993	2998 993	2998 993	2998 993
	COOLER, Trans. Oil Auxiliary P, DC	1	-----	-----	2892 470	2892 470	-----	2892 470
	Y	1	-----	-----	-----	-----	-----	2801 854
9-46-33	BRACKET, Trans. Oil Cooler w/O. Heavy Duty A727 Trans.	1	3577 172	-----	-----	-----	-----	-----
	w/Heavy Duty A727 Trans. Early Type	1	3577 306	-----	3577 306	-----	-----	-----
	Late Type	1	3698 668	-----	3698 668	-----	-----	-----
	V,L	1	-----	3577 172	-----	-----	-----	-----
	B,J,R,W Early Type	1	-----	3577 306	-----	-----	-----	-----
	B,J,R,W Late Type	1	-----	3698 668	-----	-----	-----	-----
	J-Nut, Bracket	AR	-----	-----	6023 168	6023 168	-----	6023 168
	Screw, Tube Clip, P,D,C,Y	2	-----	-----	9415 910	9415 910	-----	9415 910
9-46-43	NUT, Trans. Oil Cooler Tube, Trans. End	2	1941 667	1941 667	1941 667	1941 667	1941 667	1941 667
	Radiator End	2	1941 667	1941 667	1941 667	1941 667	1941 667	1941 667
9-46-44	CONNECTOR, Trans., Oil Cooler, w/Auxiliary Cooler	2	-----	-----	2801 853	2801 853	-----	2801 853
9-46-130	SEAL, Trans. Torque Converter Impeller Hub, w/A904 Trans.	1	2124 705	-----	-----	-----	-----	-----
	w/Heavy Duty A727 Trans.	1	1942 020	1942 020	1942 020	1942 020	-----	1942 020
9-46-228	ROLLER, Torque Converter Overrunning Clutch	8	670 776	670 776	670 776	670 776	-----	670 776

CARLINES J - Challenger V - Valiant
B - Barracuda L - Dart

R - Satellite P - Plymouth
W - Coronet - Charger D - Dodge

C - Chrysler
Y - Imperial

AR Indicates use as required.

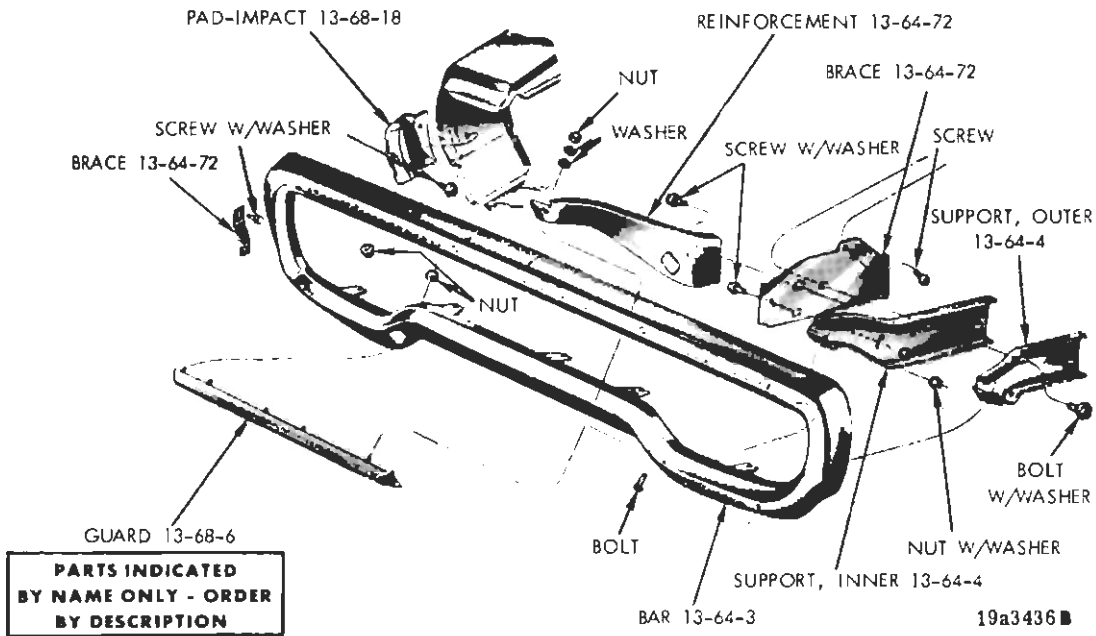
Numerals in parentheses () refer to notes.

Printed in U.S.A.

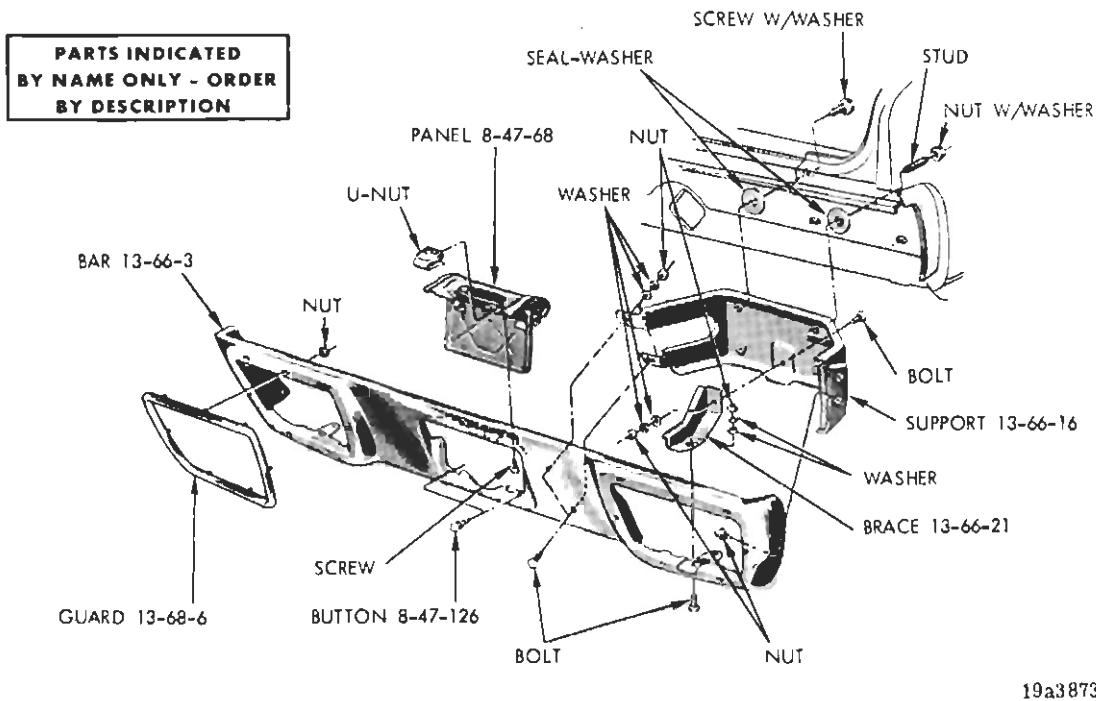
Indicates parts not listed in any previous parts book.

★ Indicates change or addition.

November 1972



FRONT BUMPER - SATELLITE 2 D. AND 2 D. H. T.



REAR BUMPER - SATELLITE 2 D. AND 2 D. H. T.

CODE	PART NAME	ENG. TYPE OR CU. IN	V	B J	L	R	W	P	D	C (L M)	C (P)	C (H S)	Y	PART NUMBER
13-64-0 FRONT BUMPER FACE BAR Cont'd.														
13-64-26	CLOSURE, Front Bumper,													
	C-L, C-M	8	—	—	—	—	—	—	—	1	—	—	—	3464 640-1
	C-H, C-P, C-S	8	—	—	—	—	—	—	—	—	1	1	—	3464 608-9
	Center, All	8	—	—	—	—	—	—	—	—	—	—	1	3464 769
	End, All	8	—	—	—	—	—	—	—	—	—	—	1	3464 754-5
	CLIP, Closure	8	—	—	—	—	—	—	—	—	—	—	6	6029 117
	PLATE, Bumper Support Brace To Frame		—	—	—	—	—	2	—	2	2	2	—	2931 349
	TAPPING-PLATE, Inner and Outer Support to Frame		—	—	—	—	—	2	2	—	—	—	—	3595 233
13-64-29	MOULDING, Bumper Closure,													
	C-H, C-P, C-S	8	—	—	—	—	—	—	—	2	2	—	—	3464 630
13-64-35	PAD, Bumper Alignment	8	—	—	—	—	—	—	—	—	—	—	2	2931 364
	Stud, Pad Alignment	8	—	—	—	—	—	—	—	—	—	—	2	6029 928
13-64-72	BRACKET, Bumper Closure,													
	C-H, C-P, C-S	8	—	—	—	—	—	—	—	1	1	—	—	3464 636-7
	Frame Front Bumper Support, Inner	8	—	—	—	—	—	—	—	—	—	—	1	2925 914-5
	Outer	8	—	—	—	—	—	—	—	—	—	—	2	2534 061
	Bumper P/T Lamp, Upper	8	—	—	—	—	—	—	—	—	—	—	2	3464 763
	Lower	8	—	—	—	—	—	—	—	—	—	—	2	3464 764
	REINFORCEMENT, Bumper Inner Support	8	—	—	—	—	—	—	—	—	—	—	2	2931 430
	Bumper Inner Support, 2 D., 2 D.H.T.		—	—	—	1	—	—	—	—	—	—	—	3464 118-9
	BRACE, Bumper Alignment,													
	R, 2 D., 2 D.H.T.		—	—	—	1	—	—	—	—	—	—	—	3595 128
	W, 2 D., 2 D.H.T., Fast-Back, Up to Aug., 71		—	—	—	—	1	—	—	—	—	—	—	3464 362-3
	After Aug., 71		—	—	—	—	1	—	—	—	—	—	—	3595 132-3
	W, 4 D. and Sta. Wgn.		—	—	—	—	2	—	—	—	—	—	—	3464 319
	P, All		—	—	—	—	—	2	—	—	—	—	—	3595 245
	C, All	8	—	—	—	—	—	—	—	2	2	2	—	3464 705
	Bumper Jacking, 2 D., 2 D.H.T.		—	—	—	1	—	—	—	—	—	—	—	3464 290-1
	2 D., 2 D.H.T., Fast-Back		—	—	—	—	1	—	—	—	—	—	—	3464 340-1
	4 D. and Sta. Wgn.		—	—	—	—	2	—	—	—	—	—	—	3464 316
	C-H, C-S	8	—	—	—	—	—	—	—	—	—	2	—	3595 595
	Bumper Guard, 2 D., 2 D.H.T., Fast-Back		—	—	—	—	1	—	—	—	—	—	—	3464 343
	Bumper Inner Support	8	—	—	—	—	—	—	—	1	1	1	—	3464 622-3
13-64-104	MEDALLION, Bumper Front, 2 D.H.T., 2 D., Fast-Back		—	—	—	—	1	—	—	—	—	—	—	3464 348
	BEZEL, Bumper Name Plate, P, All		—	—	—	—	—	1	—	—	—	—	—	3595 246
	Bumper Pad, D-L, D-M, D-S		—	—	—	—	—	—	1	—	—	—	—	3595 324-5
13-64-105	NAME-PLATE, Bumper Front, All		—	—	—	—	—	1	—	—	—	—	—	3595 225

13-66-0 REAR BUMPER FACE BAR

13-66-3	BAR, V, 4D., w/o Guards	1	—	—	—	—	—	—	—	—	—	—	—	3595 030
	V, 4D., w/Guards	1	—	—	—	—	—	—	—	—	—	—	—	3595 031
	V, Fast-Back	1	—	—	—	—	—	—	—	—	—	—	—	3595 028
	V, 2 D.H.T.	1	—	—	—	—	—	—	—	—	—	—	—	3595 027
	L, 2 D.H.T., 4 D.	—	—	1	—	—	—	—	—	—	—	—	—	3595 034
	L, Fast-Back	—	—	1	—	—	—	—	—	—	—	—	—	3595 028
	B, All	—	1	—	—	—	—	—	—	—	—	—	—	3595 037
	J, All	—	1	—	—	—	—	—	—	—	—	—	—	3595 038
	R, 2 D., 2 D.H.T., w/o Guards	—	—	—	1	—	—	—	—	—	—	—	—	3595 150
	w/Guards	—	—	—	1	—	—	—	—	—	—	—	—	3595 151
	R, 4 D., w/o Guards	—	—	—	1	—	—	—	—	—	—	—	—	3595 104
	R, 4 D., w/Guards	—	—	—	1	—	—	—	—	—	—	—	—	3595 105

CARLINES J - Challenger V - Valiant
B - Barracuda L - Dart

R - Satellite P - Plymouth
W - Coronet - Charger D - Dodge

C - Chrysler
Y - Imperial

AR Indicates use as required.

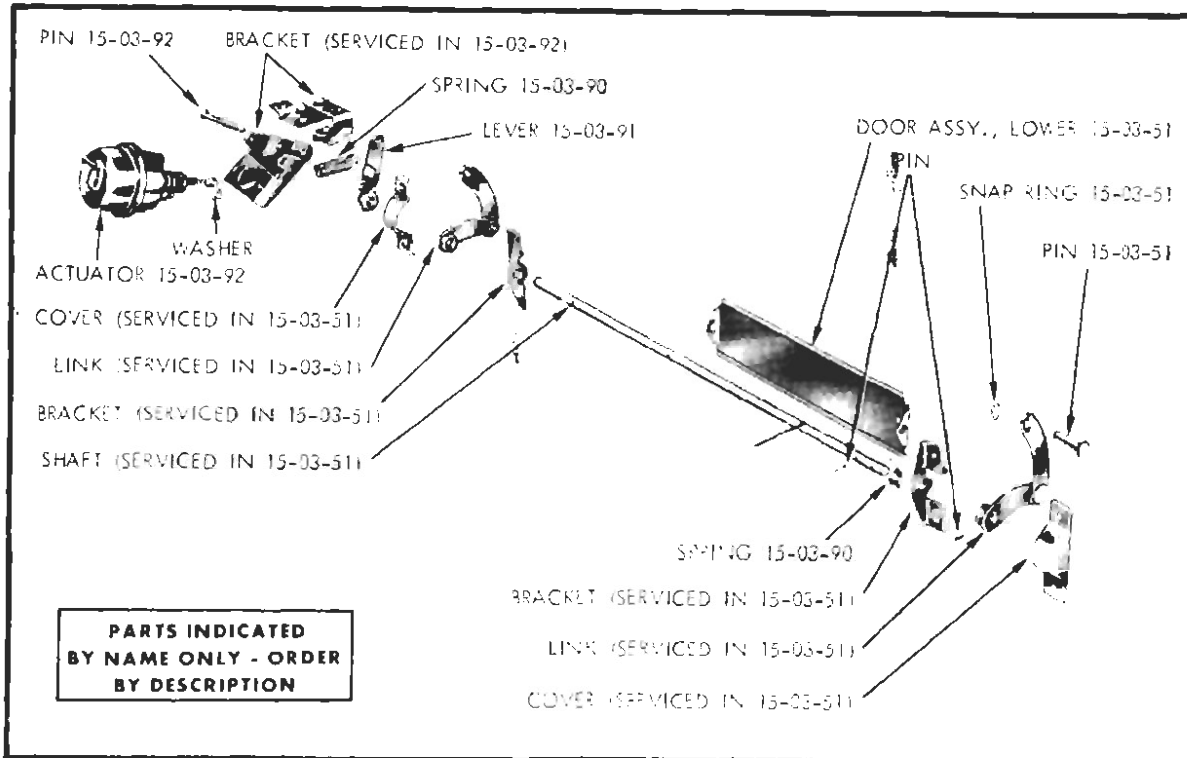
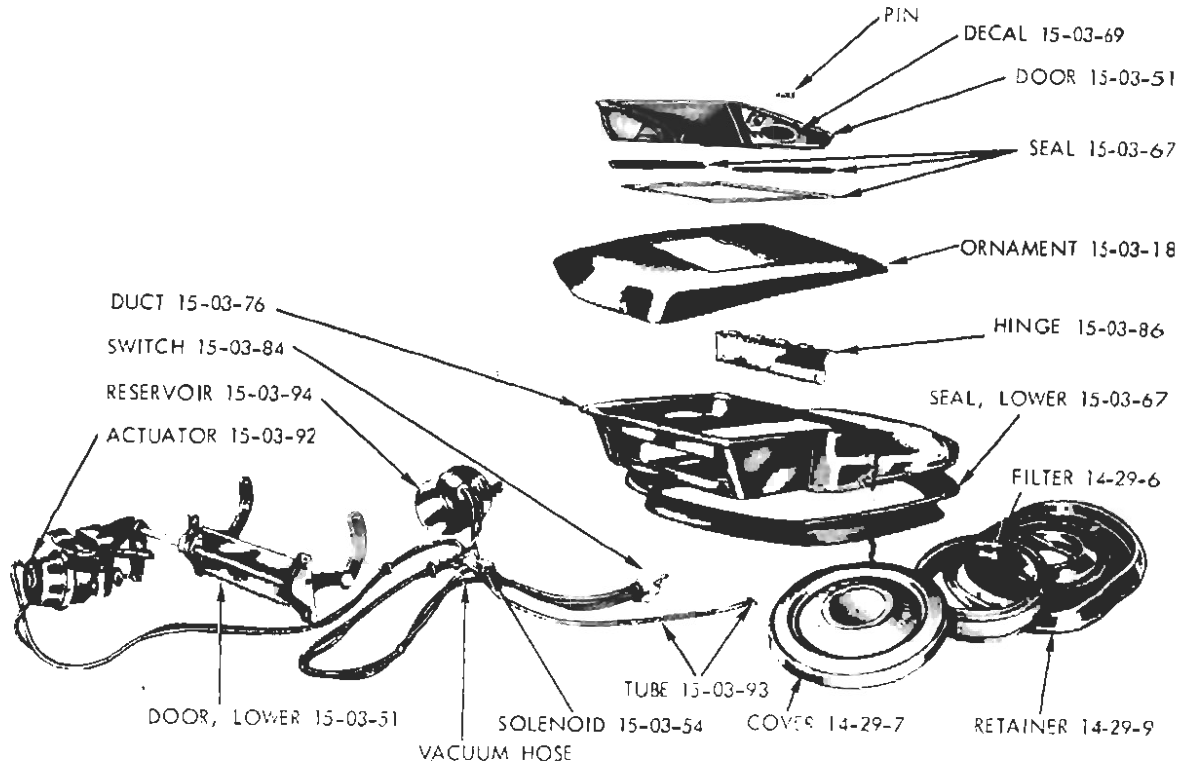
Indicates parts not listed in any previous parts book.

Numerals in parentheses () refer to notes.

★ Indicates change or addition.

Printed in U.S.A.

November 1972



**PARTS INDICATED
BY NAME ONLY - ORDER
BY DESCRIPTION**

19a3358D

FRESH AIR SYSTEM AND MECHANISM TO CARBURETOR - R AND W

1972 PASSENGER CAR PARTS CATALOG

FUEL

CODE	COMPONENT CHART REFERENCE NO.		21	22	23	24	25
	MFG. NO.		R6254AAS	R6252AAS	R6257AAS	R6253AAS	R6160A
14-35-39	BODY Main Well Economizer, Body & Plugs		3683 863	3683 863	3683 863	3683 863	3683 863
14-38-24	SOLENOID, Idle		3656 125	3656 125	3656 125	3656 125	-----
14-39-7	DIAPHRAGM, Choke		3621 274	3621 274	3621 261	3621 261	3621 274
14-39-45	CHOKE		3512 867	3512 867	3512 867	3512 867	3512 867
14-41-3	DIAPHRAGM, Pump		2196 234	2196 234	2196 234	2196 234	2196 234
14-45-12	LIMITER, Idle Needle		3420 393	3420 393	3420 393	3420 393	3420 393
14-45-17	COMPENSATOR, Hot Idle		-----	-----	-----	-----	3549 329
CODE	COMPONENT CHART REFERENCE NO.		26				
	MFG. NO.		R6290A				
14-30-2	GASKET, Flange		3671 312				
14-30-4	REPAIR KIT	Minor	3683 865				
		Major	3683 815				
14-30-7	GASKET KIT		3683 864				
14-30-8	NEEDLE w/Seat		2809 335				
14-35-1	JET, Main		2196 205				
14-35-6	VALVE, Power		2084 715				
14-35-9	DIAPHRAGM, Secondary		2809 252				
14-35-39	BODY, Main Well Economizer, Body & Plugs		3683 863				
14-38-24	SOLENOID, Idle		-----				
14-39-7	DIAPHRAGM, Choke		3621 274				
14-39-45	CHOKE		3512 867				
14-41-3	DIAPHRAGM, Pump		2196 234				
14-45-12	LIMITER, Idle Needle		3420 393				
CODE	COMPONENT CHART REFERENCE NO.		41	42	43	44	45
	MFG. NO.		4992S	4993S	6149S	6150S	6151S
14-30-2	GASKET, Flange		2468 818	2468 818	2946 541	2946 541	2946 541
14-30-4	REPAIR KIT	Minor	-----	-----	3514 467	3514 467	3514 467
		Major	2933 043	2933 043	3621 242	3621,242	3621 242
14-30-7	GASKET KIT		2808 023	2808 023	3549 295	3549 295	3549 295
14-30-8	NEEDLE, w/Seat		2933 042	2933 042	2933 042	2933 042	2933 042
14-35-1	JET, Main		2585 787	2585 787	2585 792	2585 792	2585 792
14-39-7	DIAPHRAGM, Choke		-----	-----	2933 185	2933 185	2933 185
14-39-45	CHOKE		-----	-----	2951 651	2951 651	2951 651
14-41-3	PUMP, Plunger		3481 635	3481 635	3549 257	3549 257	3549 257
14-43-5	ROD, Step Up		2809 273	2585 702	3549 460	3685 665	3683 901
14-45-12	CAP, Idle Mix Screw Limiter		-----	-----	3685 661	3685 661	3420 436
14-50-25	DASH POT		-----	-----	2808 101	-----	2808 101
CODE	COMPONENT CHART REFERENCE NO.		46	47	48	49	50
	MFG. NO.		6152S	4959S	4960S	TQ6138S	TQ6139S
14-30-2	GASKET, Flange (Thin)		2946 541	-----	-----	3512 868	3512 868
	(Thick)		-----	-----	-----	3612 869	3612 869
14-30-4	REPAIR KIT	Minor	3514 467	3621 260	3621 260	3683 908	3683 908
		Major	3621 242	-----	-----	3683 909	3683 909
14-30-7	GASKET KIT		3549 295	3621 245	3621 245	3683 907	3683 907
14-30-8	NEEDLE, W/Seat		2933 042	2933 042	2933 042	3621 161	3621 161
14-35-1	JET, Main		2585 792	2585 792	2585 792	3683 905	3683 905
	JET, SECONDARY		-----	-----	-----	3683 906	3683 906
14-35-40	JET, w/Housing, Pump		-----	-----	-----	3683 912	3621 163
14-38-24	SOLENOID, Idle		-----	-----	-----	3438 881	3438 881
14-39-7	DIAPHRAGM, Choke		2933 185	2933 185	2933 185	3621 209	3621 210
14-39-45	CHOKE		2951 651	2946 535	2946 535	3614 169	3614 169
14-41-3	PUMP, Plunger		3549 257	2933 001	2933 001	3621 175	3621 175
14-43-5	ROD, Metering		-----	-----	-----	3685 666	3685 666
	Step Up		3549 460	2585 790	2585 790	-----	-----
14-45-12	CAP, Idle Mix Screw Limiter		3420 436	-----	-----	3685 661	3685 661
CODE	COMPONENT CHART REFERENCE NO.		51	52	53	54	55
	MFG. NO.		TQ6140S	TQ6165S	TQ6090S	TQ6166S	TQ6394S
14-30-2	GASKET, Flange (Thin)		3512 868	3512 868	3512 868	3512 868	-----
	(Thick)		3512 869	3512 869	3512 869	3512 869	3512 869
14-30-4	REPAIR KIT	Minor	3683 908	3683 908	3683 908	3683 908	3683 908
		Major	3683 911	3683 911	3683 911	3683 911	3685 728
14-30-7	GASKET KIT		3683 907	3683 907	3683 907	3683 907	3683 907
14-30-8	NEEDLE, w/Seat		3621 161	3621 161	3621 161	3621 161	3621 161

CARLINES

J - Challenger
B - BarracudaV - Valiant
L - DartR - Satellite
W - Coronet - ChargerP - Plymouth
D - DodgeC - Chrysler
Y - Imperial

AR Indicates use as required.

Indicates parts not listed in any previous parts book.

Numerals in parentheses () refer to notes.

★ Indicates change or addition.

Printed in U.S.A.

November 1972

CODE	PART NAME	ENG. TYPE OR CU. IN	V	B J	L	R	W	P	D	C (L M)	C (P)	C (H S)	Y	PART NUMBER
15-03-0 HOOD PANEL Cont'd.														
15-03-69	TAPES & DECALS Cont'd.													
		Black				2								3685 368
	TAPE PKG. Hood Stripes, Black					2								3685 288
	TAPE, Hood Frt. Flange, Black						1							3573 958
	DECAL, Hood "340" RM					2								3574 080
	w/out Eng. Ident.					2								3685 314
	"440" RM					2								3574 078
15-03-79	TEXTURE, Hood Top Orn.													
	Sports Hood, B			1										2998 212-3
	Nut w/Bshg. (Brass) B			4										6026 935
	Screw B			4										6028 683
15-03-83	PANEL, Hood Top Side Closure, J			1										2998 180-1
							1							2949 468
15-03-96	PIN, Hood Corner Spring					2	2							3508 508

15-06-0 HOOD NAME PLATE, MEDALLION AND LETTERS

15-06-3	N/PLATE, Hood Frt. "Plymouth" R-4 Dr. & Sta. Wgn.		1			1								2785 791
	"Plymouth," B			1										2998 042
	NUT, Hood N/Plate-Plymouth Att. B			3										9411 943
	"Dodge," w/Concealed Hdlp.						1							2965 502
	Hood Scoop, Cuda 340			2										3443 159
	340 Four Barrel			2										3443 247
	340 Magnum Charger						2							3573 632
	440 Magnum-Charger						2							3443 516
	Export "Valiant"		1											2573 169
	Dodge				1									3613 151
	400 Magnum						2							3574 059
	Chrysler N/Port (Script)								1					3573 971
15-06-16	N/LETTER, Hood Frt. "D"	J		2										2579 655
	"O"	J		1										2998 231
	"G"	J		1										2579 657
	"E"	J		1										2579 658

15-09-0 HOOD BUMPER

15-09-4	BUMPER, Fender Hood Side		4		4									3443 894
	Fender Hood Side Front, B			2										2949 617
	Hood Rear Leveling			3										2900 266
	Hood Leveling Rear Outer, J			2										2784 714
	Fender Yoke Bracket to Hood		2	2	2	2	2	2	2	2	2	2	2	2276 804
	HOOD, Cowl Opng.									1	1	1		2276 804
	SCREW, Hood Cowl Top Adj. Brkt. (Repair)									AR	AR	AR		6029 897
	Fender Cowl Bracket Hood					2	2							2276 749
	Battery Tray Support												1	2276 749
	Fender Hood Side					2	2	2	2				6	2898 588
	Fender Cowl Bracket Hood						2	2	2	2	2	2	2	2898 762
	Fender Hood Side Front-J W-2 D.			2			2							2949 658
	Hood Leveling Center					1	1							2900 266
	Hood Leveling Corner					2								3443 645
	Hood Leveling Corner						2							2784 714
	SCREW, Adjusting, Frt. Ext. Hood Bumper		2	2	2	2	2	2	2	2	2	2	2	6023 531
	NUT, Adj. Screw									2	2	2		6025 413
15-09-19	REINF., Hood Inr. Pnl.	J	2	2	2	2	2						2	3579 671

15-11-0 HOOD LATCH

15-11-3	LATCH, w/Hood Rel. on Inst. Pnl.					1	1							3548 805
---------	----------------------------------	--	--	--	--	---	---	--	--	--	--	--	--	----------

CARLINES J - Challenger
B - Barracuda

V - Valiant
L - Dart

R - Satellite
W - Coronet - Charger

P - Plymouth
D - Dodge

C - Chrysler
Y - Imperial

AR Indicates use as required.

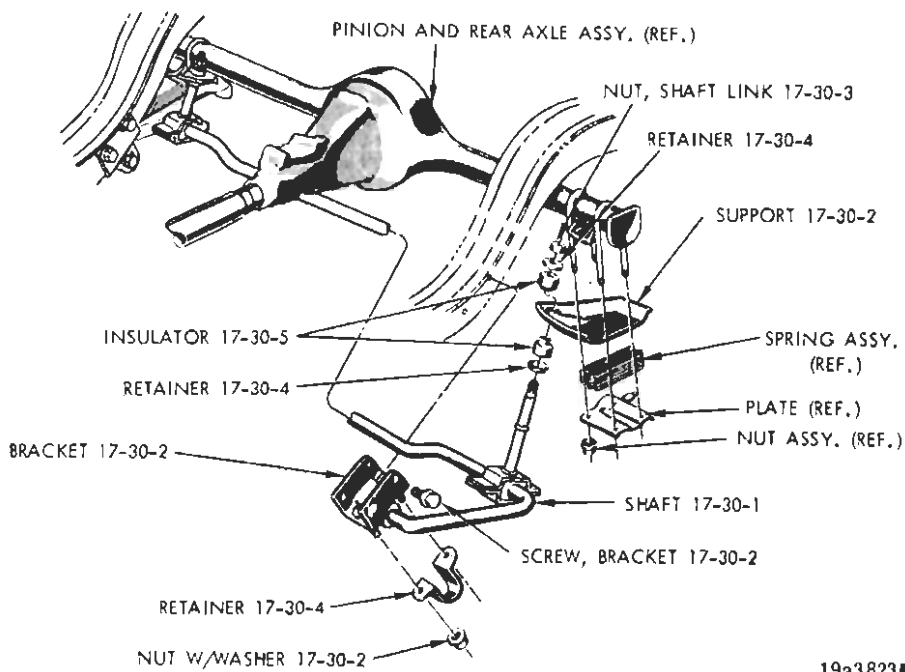
Numerals in parentheses () refer to notes.

Printed in U.S.A.

Indicates parts not listed in any previous parts book.

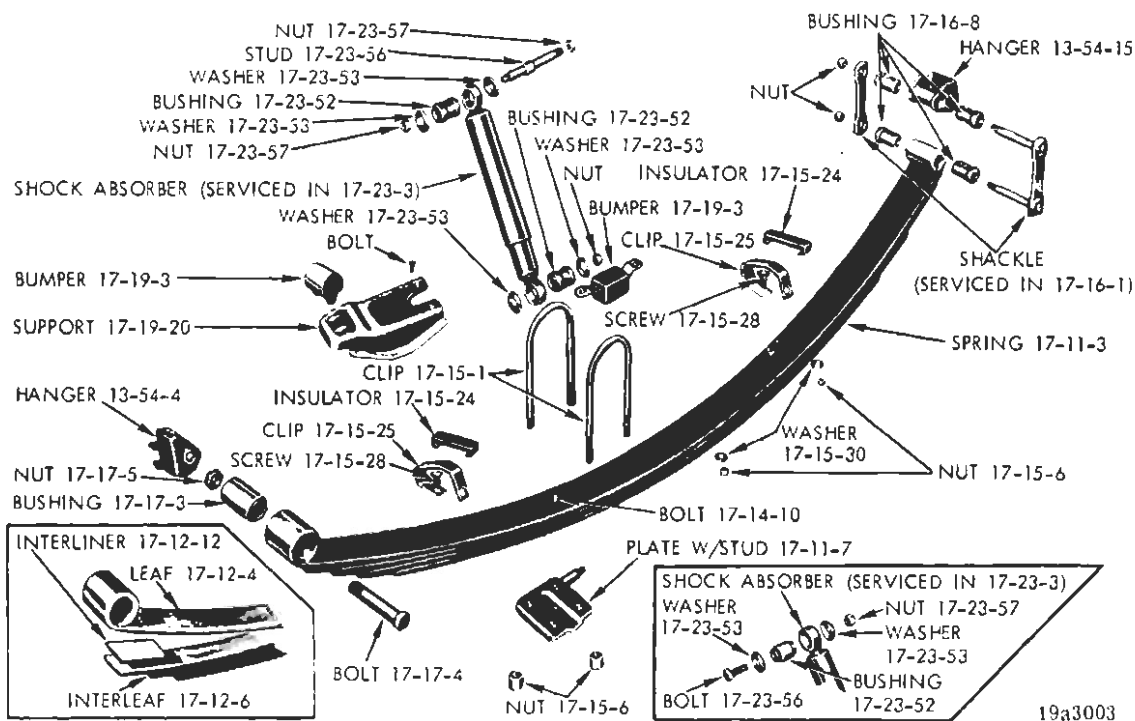
★ Indicates change or addition.

November 1972



19a3823B

SWAY BAR - REAR SUSPENSION - SATELLITE AND CORONET (EXCEPT STATION WAGON)



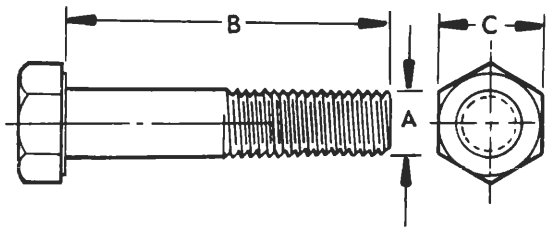
19a3003

REAR SPRING - EXCEPT PLYMOUTH, DODGE, CHRYSLER AND IMPERIAL

	A	Thrds./Inch	B	C	Finish	
	7/16	20	5 1/2	5/8	PH	215 649
	1/2	20	1 1/2	3/4		181 683
	1/2	20	1	3/4		181 696
	1/2	20	1 1/4	3/4	ZI	181 698
	1/2	20	1 1/2	3/4	ZI	181 700
	1/2	20	2	3/4	ZI	181 705
	1/2	20	2 1/4	3/4	PH	9419 523
	1/2	20	2 1/2	3/4	PH	9421 898
	1/2	20	2 1/2	3/4	ZI	181 709
	1/2	20	2 3/4	3/4	PH	9422 752
	1/2	20	3	3/4		181 711
	1/2	20	3 1/4	3/4	PH	9420 616
= 8 Steel	1/2	20	3 1/2	3/4	PH	9425 137
= 5 Steel	1/2	20	3 1/2	3/4	PH	182 788
= 5 Steel	1/2	20	4 1/4	3/4	PH	192 202
= 8 Steel	1/2	20	4 1/4	3/4	PH	9420 879
	1/2	20	6	3/4	PH	9420 846
	1/2	20	6 1/2	3/4	PH	9428 918
	1/2	20	10 1/4	3/4	PH	9428 923
	9/16	18	7/8	13/16	PH	182 794
	9/16	18	1 1/2	13/16	PH	9427 609
	9/16	18	2	13/16	PH	9427 610
	9/16	18	2	13/16	ZI	181 731
	9/16	18	2 1/2	13/16	ZI	181 733
	9/16	18	3 1/4	13/16	PH	182 808
	9/16	18	4	13/16		181 747
	5/8	18	1 1/4	15/16	PH	271 889
	5/8	18	1 3/4	15/16	PH	271 903
	5/8	18	1 7/8	15/16	ZI	271 747
	5/8	18	2	15/16	PH	271 905
	5/8	18	2 1/4	15/16	ZI	271 749
= 8 Steel	5/8	18	4 1/2	15/16	PH	9430 900
= 5 Steel	5/8	18	4 1/2	15/16	PH	271 915
	5/8	18	5	15/16	PH	271 917
	3/4	16	1 3/4	1 1/8	PL	271 632
	3/4	16	7 1/4	1 1/8	PH	9423 947
	3/4	16	7 3/4	1 1/8	PH	9423 948
	7/8	14	3 1/4	1 5/16	PH	272 000
	7/8	14	4 1/2	1 5/16	PH	272 005
	7/8	14	5 1/2	1 5/16	PH	9422 085

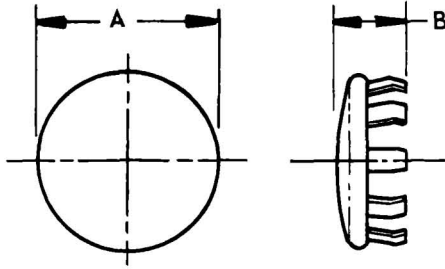
	A	Thrds./Inch	B	C	Finish	
	5/16	18	5	1/2	PH	181 101
	5/16	18	3	1/2	ZI	180 113
	15/16	18	4	1 1/2		189 298
	3/8	16	1/2	9/16	ZI	180 116
	3/8	16	11/16	9/16	ZI	180 119
	3/8	16	7/8	9/16	ZI	180 121
	3/8	16	1	9/16	ZI	180 122
	3/8	16	1	9/16	PL	186 609
	3/8	16	1 1/8	9/16	PH	181 113
	3/8	16	1 1/4	9/16	ZI	180 124
	3/8	16	1 1/4	9/16	PH	9416 171
	3/8	16	1 1/2	9/16	ZI	180 126
	3/8	16	1 1/2	9/16	PH	9421 218
	3/8	16	1 5/8	9/16	PH	9417 050
	3/8	16	1 3/4	9/16	PL	186 632
	3/8	16	2	9/16	PH	181 126
	3/8	16	2 1/4	9/16	PH	181 127
	3/8	16	2 3/8	9/16	PL	443 970
	3/8	16	2 1/2	9/16	PH	9418 680
	3/8	16	2 5/8	9/16	PL	186 278
	3/8	16	2 3/4	9/16	PH	9420 892
	3/8	16	2 3/4	9/16	ZI	180 137
	3/8	16	3	9/16	PH	181 130
	3/8	16	3 1/4	9/16	PL	186 282
	3/8	16	3 1/4	9/16	PH	9419 733
	3/8	16	3 1/2	9/16	PL	9413 313
= 8 Steel	3/8	16	3 3/4	9/16	PL	214 265
= 5 Steel	3/8	16	3 3/4	9/16	PL	186 284
	3/8	16	4	9/16	PL	186 285
	3/8	16	4 1/4	9/16	PL	151 607
	3/8	16	4 1/4	9/16	PH	433 116
	3/8	16	4 1/2	9/16	PH	433 119
	3/8	16	4 7/8	9/16	PH	9428 486
	3/8	16	5	9/16	PH	9421 897
= 8 Steel	3/8	16	5 1/4	9/16	PH	9422 790
= 5 Steel	3/8	16	5 1/4	9/16	PH	9414 183
= 5 Steel	3/8	16	5 1/2	9/16	PH	215 486
= 8 Steel	3/8	16	5 1/2	9/16	PH	9423 789
	3/8	16	5 3/4	9/16	PH	215 514
	3/8	16	6	9/16	PH	9417 928
	3/8	16	6 1/4	9/16	PH	9422 791
	3/8	16	6 1/2	9/16	PH	9418 276
	7/16	14	1 1/8	5/8	ZI	180 146
	7/16	14	1 1/4	5/8	PH	9417 471
	7/16	14	1 1/2	5/8		180 149
	7/16	14	1 3/8	5/8	ZI	180 148
	7/16	14	1 3/4	5/8		180 151
	7/16	14	1 7/8	5/8	PH	181 144
	7/16	14	2	5/8	PH	427 570
	7/16	14	2 1/8	5/8	PH	9418 208
	7/16	14	2 1/2	5/8		180 157
	7/16	14	3	5/8	PH	181 150
	7/16	14	3	5/8	ZI	180 160
	7/16	14	3 1/2	5/8	PH	181 152
	7/16	14	4	5/8		180 165
	7/16	14	4 1/4	5/8	PH	433 139
	7/16	14	5 1/2	5/8	PH	189 656
	1/2	13	1/2	3/4		180 166
	1/2	13	1 1/4	3/4		180 175
	1/2	13	1 3/8	3/4	PH	9420 036
= 5 Steel	1/2	13	1 1/2	3/4	PH	9418 505
= 8 Steel	1/2	13	1 1/2	3/4	PH	181 165
	1/2	13	2	3/4		180 181
= 5 Steel	1/2	13	2 1/4	3/4	PH	181 170
= 8 Steel	1/2	13	2 1/4	3/4	PH	9418 508
	1/2	13	3	3/4		180 190
	1/2	13	3 1/2	3/4	PL	454 993
	1/2	13	3 7/8	3/4	PL	9423 811
	1/2	13	4	3/4	PH	181 177
	1/2	13	4 1/2	3/4	PH	433 157
	1/2	13	4 3/4	3/4	PH	433 160
	1/2	13	6	3/4	PH	215 694
	1/2	13	6 3/4	3/4	PH	9431 957
	9/16	12	1 1/8	13/16	PH	181 183
	9/16	12	1 1/4	13/16	PH	181 184
	9/16	12	1 3/4	13/16	PH	181 188
	9/16	12	2	13/16	PL	179 910
	9/16	12	3 1/4	13/16	PH	181 195
	5/8	11	1 1/2	15/16	PH	271 876
	5/8	11	1 5/8	15/16	PH	271 877
	5/8	11	2	15/16	PH	271 880
	5/8	11	2 1/4	15/16	PH	271 881
	5/8	11	3 1/4	15/16	PH	271 885
	5/8	11	3 3/8	15/16	PH	9432 565
	5/8	11	3 3/4	15/16	PH	271 887
= 5 Steel	3/4	10	1 7/8	1 1/8	PH	271 927
= 8 Steel	3/4	10	1 7/8	1 1/8	PH	9424 010

BOLTS, Hexagon (Coarse Thread)



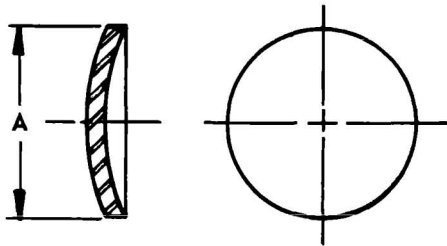
	A	Thrds./Inch	B	C	Finish	
	1/4	20	3/8	7/16	PH	181 055
	1/4	20	5/8	7/16	ZI	180 018
	1/4	20	3/4	7/16	ZI	180 020
	1/4	20	7/8	7/16	ZI	180 021
	1/4	20	1	7/16	ZI	180 022
	1/4	20	1 1/4	7/16	ZI	180 024
	1/4	20	1 1/2	7/16	ZI	180 034
	1/4	20	1 3/8	7/16	PH	181 068
	1/4	20	2 1/2	7/16	PH	180 048
	5/16	18	3/8	1/2	PH	181 080
	5/16	18	1/2	1/2	PH	181 082
	5/16	18	5/8	1/2	ZI	180 075
	5/16	18	3/4	1/2	ZI	180 077
	5/16	18	7/8	1/2	ZI	180 078
	5/16	18	1	1/2	ZI	180 079
	5/16	18	1 1/8	1/2	PH	181 089
	5/16	18	1 1/4	1/2	ZI	180 081
	5/16	18	1 1/2	1/2	PH	9422 041
	5/16	18	1 5/8	1/2	PH	9422 727
	5/16	18	1 3/4	1/2	PH	181 094
	5/16	18	1 7/8	1/2	PH	181 092
	5/16	18	2 1/8	1/2	ZI	9421 360
	5/16	18	2 1/4	1/2	PH	181 097
	5/16	18	2 1/2	1/2	ZI	180 091
	5/16	18	2 5/8	1/2	PH	9419 042
	5/16	18	2 3/4	1/2	PH	181 076

PLUGS, Button



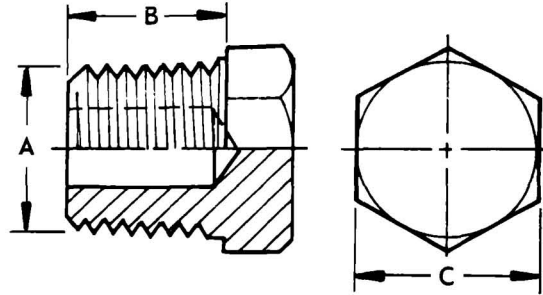
A	B	Hole Dia.	Material	Finish	
11/32	7/32	7/32	ST	BE	142 057
7/16	1/4	5/16	ST	PH	432 417
1/2	7/32	3/8	ST	CH	432 529
1/2	7/32	3/8	ST	PH	432 528
1/2	1/4	13/32	ST	CH	142 070
21/32	17/64	33/64	ST	CH	142 074
51/64	9/32	5/8	ST	BE	142 081
15/16	19/64	3/4	ST	BE	142 026
15/16	25/64	25/32	ST	CH	454 166
1 1/16	9/32	13/16	ST	PL	189 970
1 1/16	19/64	7/8	ST	BE	142 085
1	11/32	29/32	ST	CH	178 023
1 5/32	19/64	1	ST	BE	142 093
1 7/16	5/16	1 1/4	ST	PL	142 095
1 9/16	13/32	1 3/8	ST	PH	432 497
1 41/64	27/64	1 1/2	ST	Zl or CA	432 449
2 5/16	17/32	2	ST	PH	432 576

PLUGS, Expansion



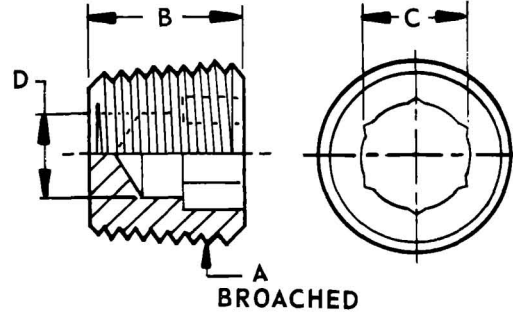
A	Material	
9/16	ST	117 918
5/8	ST	103 891
3/4	AL	142 656
3/4	ST	103 892
13/16	ST	105 602
7/8	ST	103 893
7/8	BR	121 755
1	BR	137 183
1 1/16	ST	117 920
1 1/16	BR	121 756
1 3/16	ST	117 921
1 3/16	BR	140 690
1 1/4	BR	179 380
1 3/8	BR	178 878
1 3/8	ST	117 923
1 1/2	ST	103 896
1 5/8	ST	117 924
1 5/8	BR	140 802
1 3/4	ST	103 897
1 7/8	ST	114 564
2	BR	140 089

PLUGS, Automotive Hexagon Head Pipe



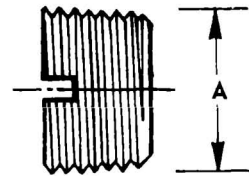
A	Thrds./Inch	B	C	Material	
1/8	27	3/8	7/16	BR	444 614
1/4	18	9/16	9/16	BR	127 951
3/8	18	9/16	11/16	ST	444 625

PLUG, Automotive Hexagon Socket Pipe



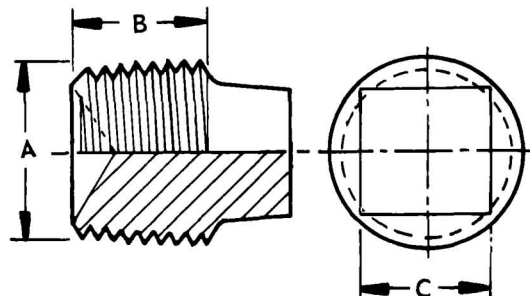
A	B	C	D	
1/8-27	5/16	3/16	3/16	444 688

PLUG, Slotted Headless Pipe



A	Thrds./Inch	
1/8	27	118 831

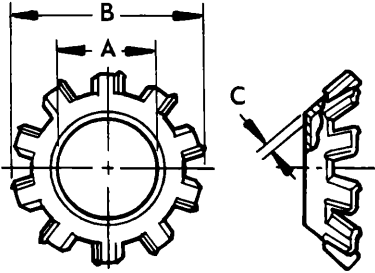
PLUGS, Square Head Pipe



A	Thrds./Inch	B	C	
1/4	18	1/2	3/8	143 933
3/4	14	11/16	5/8	103 869

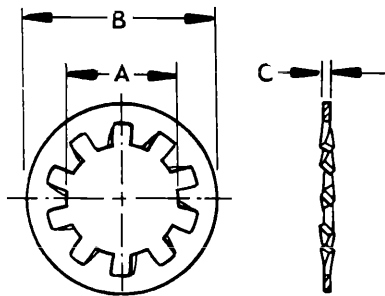
Remarks	Screw or Bolt Size	A	B	C	
CH	7/16	15/32	1 1/8	1/16	9423 917
	1/2	17/32	1 1/16	1/16	120 396
	1/2	17/32	1	1/16	9417 098
	1/2	17/32	1 3/4	7/64	9417 794
	9/16	19/32	1 3/16	3/32	121 458
	5/8	43/64		3/32	131 016
	5/8	43/64		7/64	9420 611
	5/8	43/64		5/32	9416 173
	7/8	15/16		9/64	131 018
		1 13/64	2 1/2	3/16	446 283

WASHERS, Counter Sunk External Teeth Lock



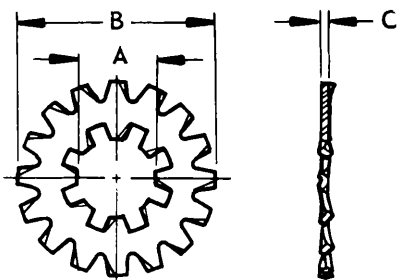
A	B	C	
10	23/64	1/64	138 597
1/4	29/64	1/64	138 604
3/8	49/64	1/32	138 617

WASHER, Internal Teeth Lock



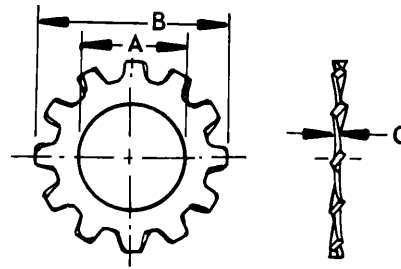
A	B	C	
5/8	1 3/64	3/64	138 557

WASHERS, Internal External Teeth Lock



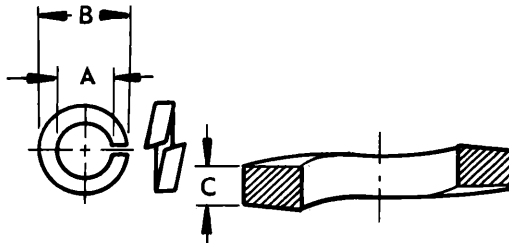
A	B	C	
1/4	3/4	1/16	174 916
5/16	29/32	3/64	178 532
3/8	31/32	3/64	178 551
7/16	1 1/16	1/16	178 571
9/16			178 612

WASHERS, External Teeth Lock

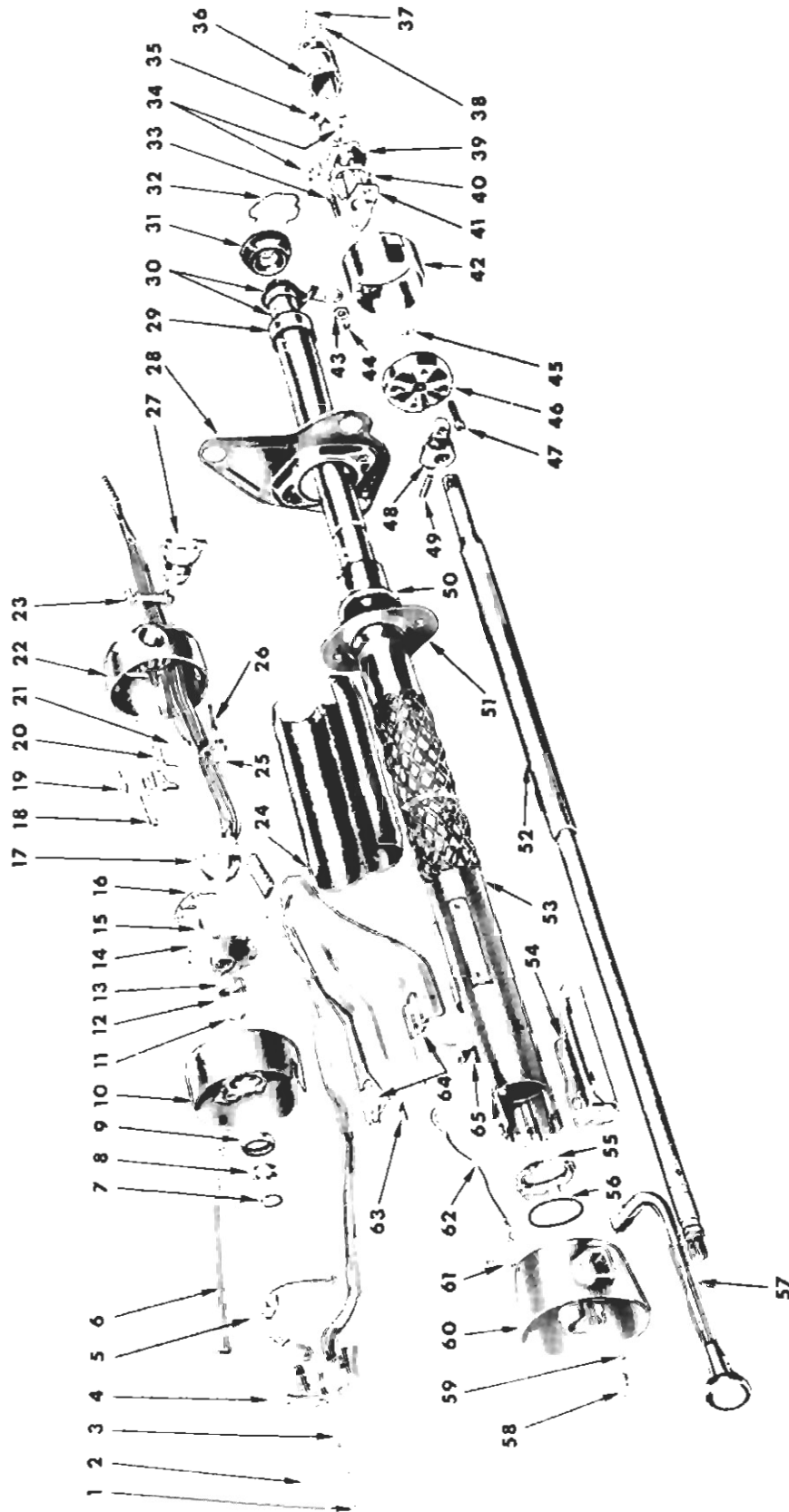


A	B	C	
1/4	1/2	1/32	121 753
5/16	19/32	1/32	138 485
7/16	3/4	1/32	136 857
1/2	57/64	1/32	135 629
9/16	31/32	1/32	138 498
5/8	1 1/16	3/64	138 502
3/4	1 1/4	3/64	138 506

WASHERS, Spring Lock



A	B	C	
12	25/64	1/16	131 120
1/4	31/64	1/16	120 380
5/16	37/64	5/64	120 214
3/8	1 1/16	3/32	120 382
7/16	49/64	7/64	120 383
7/16	25/32	1/8	131 100
1/2	7/8	1/8	120 384
9/16	31/32	9/64	120 898
5/8	1 5/64	5/32	121 574
3/4	1 17/64	3/16	131 046



19aL3244

STEERING COLUMN (WITHOUT TILT - TILT-TELESCOPIC STEERING) - PLYMOUTH FURY,
DODGE POLARA, CHRYSLER AND IMPERIAL WITH AUTOMATIC TRANSMISSION

CLICK HERE TO **DOWNLOAD** THE COMPLETE MANUAL

- Thank you very much for reading the preview of the manual.
- You can download the complete manual from: www.heydownloads.com by clicking the link below



- Please note: If there is no response to CLICKING the link, please download this PDF first and then click on it.

CLICK HERE TO **DOWNLOAD** THE COMPLETE MANUAL

STANDARD STEERING

1972 PASSENGER CAR PARTS CATALOG

CODE	PART NAME	ENG. TYPE OR CU. IN	V	B J	L	R	W	P	D	C (L M)	C (P)	C (H S)	Y	PART NUMBER
19-48-0 GEARSHIFT CONTROL ROD Cont'd.														
19-48-45	SHAFT Cont'd. w/A230-3 Speed Man. Trans. Col. Shift							1	1					3467 106
	SHAFT, Gearshift Control Torque, W/Auto. Trans. Floor Shift		1		1									3467 064
				1		1	1							3467 721
								1						3467 720
	SHAFT, Gearshift Col. Lock Torque, w/Floor Shift							1						3467 751
	Washer		AR	AR	AR	AR	AR	AR	AR					9417 098
	Washer, Spring		1	1	1	1	1	1	1					905 206
	Pin, Cotter		1	1	1	1	1	1	1					121 224
19-48-46	BRACKET, Gearshift Torque Shift Trans. w/Auto. Trans. Col. Shift Except 340 Eng.		1		1									2781 429
	w/Auto. Trans. Col. Shift w/340 Eng.		1		1									2800 942
	w/904 Auto. Trans. Col. Shift			1		1	1	1	1					2950 909
	w/727 Auto. Trans. Col. Shift			1		1	1	1	1					2950 910
	BRACKET, Gearshift Torque Shaft Frame, w/Auto. Trans. Col. Shift,		1		1									2467 932
	w/Man. Trans. Col. Shift		1		1									3467 776
	w/Auto. Trans. Col. Shift			1		1	1							2950 920
	w/Auto. Trans. Col. or Floor Shift							1	1					3467 753
	BRACKET, Gearshift Control Torque Shaft Upper, W/Auto. Trans. Floor Shift		1		1									2781 419
				1		1	1							3467 078
								1	1					3467 077
	BRACKET, Gearshift Control Torque Shift		1		1									2660 401
				1		1	1	1						3467 717
	BRACKET, Gearshift Torque Shaft 3 Speed Man. Trans. Col. Shift							1	1					3467 109
	BRACKET, Gearshift Torque Shaft To Floor Mounting, W/Auto. Trans. Floor Shift			1		1	1							3446 959
	Screw, Lower Brkt.		2	2	2	2	2	2	2					6026 059
	Nut, w/Washer		AR	AR	AR	AR	AR	AR	AR					6028 114
	Washer, Eng. Brkt.		1	1	1	1	1							6024 691
19-48-48	PLATE, Gearshift Torque Shaft Mounting, W/230-3 Speed Man. Trans. Col. Shift							1	1					2467 946
19-48-49	GROMMET, Gearshift Rod, w/3 Speed Man. Trans. Col. Shift		2		2	2	2	2	2					2781 444
	GROMMET, Gearshift Torque Shaft Bracket, 3 Speed Man. Trans. Col. Shift							1	1					2208 158
19-48-50	BUSHING, Gearshift Rod Grommet, w/3 Speed Man. Trans. Col. Shift		2		2	2	2	2	2					2781 445
	BUSHING, Gearshift Torque Shaft Bracket, BUSHING, Gearshift Torque Shaft Grommet, W/3 Speed Man. Trans. Col. Shift		2	2	2	2	2	2	2					3467 754
								1	1					2208 159
19-48-51	SPACER, Gearshift Torque Shaft, 3 Speed Man. Trans. Col. Shift							2	2					2208 172
19-48-52	RETAINER, Gearshift Torque Shaft, 3 Speed Man. Trans. Col. Shift							1	1					1671 569

CARLINES

J - Challenger
B - BarracudaV - Valiant
L - DartR - Satellite
W - Coronet - ChargerP - Plymouth
D - DodgeC - Chrysler
Y - Imperial

AR Indicates use as required.

Indicates parts not listed in any previous parts book.

Numerals in parentheses () refer to notes.

★ Indicates change or addition.

Printed in U.S.A.

November 1972

POWER STEERING 1972 PASSENGER CAR PARTS CATALOG

CODE	PART NAME	ENG. TYPE OR CU. IN	V	B J	L	R	W	P	D	C (L M)	C (P)	C (H S)	Y	PART NUMBER
19-54-0 POWER STEERING OIL PUMP Cont'd.														
19-54-115	BRACKET Cont'd.													
	W/3/8" Threaded Hole Pump Shaft w/318 and 340, 360 Eng.	8	1	1	1	1	1	1	1	—	—	—	—	3418 348
	W/Key Slotted Pump Shaft w/318 and 360 Eng.	8	—	1	1	1	1	1	1	1	—	—	—	2951 985
	W/Key Slotted Pump Shaft w/318 and 360 Eng. Rear	8	—	1	—	1	1	1	1	1	—	—	—	2951 987
	W/Key Slotted Pump Shaft, w/400 and 440 Eng. Front (Early Type)	8	—	1	—	1	1	—	—	—	—	—	—	3512 668
	w/400 and 440 Eng. Front (Late Type)	8	—	—	—	1	1	—	—	—	—	—	—	3671 889
	W/Key Slotted Pump Shaft w/400 and 440 Eng. Front (Early Type)	8	—	—	—	—	—	1	1	1	1	1	—	2951 196
	w/400 and 440 Eng., Front (Late Type)	8	—	—	—	—	—	1	1	1	1	1	—	3671 888
	W/Key Slotted Pump Shaft w/400 and 440 Eng. Rear	8	—	1	—	1	1	1	1	1	1	1	—	2951 198
	W/3/8" Threaded Hole Pump Shaft, w/400 and 440 Engs. (Early Type)	8	—	1	—	1	1	1	1	1	1	1	1	2951 126
	w/400 and 440 Engs. (Late Type)	8	—	—	—	1	1	1	1	1	1	1	1	3671 887
	BRACKET, Pump Engine	6	1	1	1	1	1	—	—	—	—	—	—	3671 308
		6	—	—	—	—	—	1	1	—	—	—	—	2951 075
	w/318 and 340, 360 Eng. Front	8	1	1	1	1	1	1	1	1	—	—	—	2951 747
	w/318 and 340, 360 Eng. Rear	8	1	1	1	1	1	1	1	1	—	—	—	2951 852
	SPACER, Pump Mounting Bracket, w/318 & 360 Eng.	8	1	1	1	1	1	1	1	—	—	—	—	6025 215
	Bolt, Pump Mounting Bracket	6	1	1	1	1	1	1	1	—	—	—	—	6028 737
	Bolt, Pump Mounting Bracket	6	2	2	2	2	2	2	2	—	—	—	—	6028 811
	Washer, Pump Mounting Bracket													
	Bolt	6	2	2	2	2	2	2	2	—	—	—	—	6028 911
19-54-116	SPACER, Pump Mounting Bracket	6	1	1	1	1	1	—	—	—	—	—	—	3462 418
	SPACER, Pump Rear Bracket w/Key Slotted Pump Shaft	6	1	1	1	1	1	—	—	—	—	—	—	6029 774
	Nut Pump Mounting Bracket Bolt	6	1	1	1	1	1	—	—	—	—	—	—	6025 805
19-54-123	BOLT, Pump Engine Bracket Rear Mounting Chain Case Cover w/318 and 340, 360 Eng.	8	2	2	2	2	2	2	2	—	—	—	—	6029 713
	WASHER		AR	AR	AR	AR	AR	AR	AR	—	—	—	—	6022 190
19-54-126	"O" RING, Pump Pressure Plate, W/3/8" Threaded Hole Pump Shaft		1	1	1	1	1	1	1	1	1	1	1	2537 694
	"O" RING, Pump Rear Plug, W/3/8" Threaded Hole Pump Shaft		1	1	1	1	1	1	1	1	1	1	1	2537 858
	"O" RING, Pump Oil Reservoir Flange, W/3/8" Threaded Hole Pump Shaft		1	1	1	1	1	1	1	1	1	1	1	2537 869
	"O" RING, Pump Flow Control Valve Bore, W/3/8" Threaded Hole Pump Shaft		1	1	1	1	1	1	1	1	1	1	1	1859 444
19-54-130	SNAP RING, Pump Rear Plug, w/3/8" Threaded Hole Pump Shaft		1	1	1	1	1	1	1	1	1	1	1	2891 264
	SNAP RING, Pump Flow Control Valve Bore Plug, W/3/8" Threaded Hole Pump Shaft		1	1	1	1	1	1	1	1	1	1	1	2537 866
	SNAP RING, Pump Rotor Shaft W/3/8" Threaded Hole Pump Shaft		1	1	1	1	1	1	1	1	1	1	1	1738 681
19-54-132	NUT, Pump Eng. Bracket Swivel Bolt	6	1	1	1	1	1	—	—	—	—	—	—	2129 684
19-54-150	SPRING, Pump Pressure Plate, W/3/8" Threaded Hole Pump Shaft		1	1	1	1	1	1	1	1	1	1	1	2537 958
	W/Key Slotted Pump Shaft	8	—	1	—	1	1	1	1	1	1	1	—	2537 834
	w/Key Slotted Pump Shaft	6	1	1	1	1	1	—	—	—	—	—	—	2537 834

CARLINES	J - Challenger B - Barracuda	V - Valiant L - Dart	R - Satellite W - Coronet - Charger	P - Plymouth D - Dodge	C - Chrysler Y - Imperial
----------	---------------------------------	-------------------------	--	---------------------------	------------------------------

AR Indicates use as required. Numerals in parentheses () refer to notes. Printed in U.S.A.
 # Indicates parts not listed in any previous parts book. ★ Indicates change or addition. November 1972

MANUAL TRANSMISSION 1972 PASSENGER CAR PARTS CATALOG

CODE	PART NAME	ENG. TYPE OR CU. IN	V	B J	L	R	W	P	D	C (L M)	C (P)	C (H S)	Y	PART NUMBER
21-30-0 TRANSMISSION GEARSHIFT LEVER AND RODS Cont'd.														
21-30-2	LEVER Cont'd.													
	w/4 Speed Trans., w/Grips, Lens and Bezel, R, W, w/o Fold Down													
	Arm Rest, Bolt in Type		—	1	—	1	1	—	—	—	—	—	—	3467 732
	w/4 Speed Trans., w/Grips, Lens and Bezel, w/Fold Down Arm Rest, Bolt in Type		—	—	—	1	1	—	—	—	—	—	—	3467 733
	Gearshift Selector, w/3 Speed Trans., Upper, w/o Knob, Floor Shift, W/Lwr. Flange w/4 Holes		—	—	—	1	1	—	—	—	—	—	—	3467 687
	SCREW, w/WASHER, Shift Lever Base to top of Mechanism, w/3 Speed Floor Shift		3	3	3	3	3	—	—	—	—	—	—	6028 606
	BOLT, w/4 Speed Trans., 3/8-24		2	2	2	2	2	—	—	—	—	—	—	9420 373
	WASHER, Cone Type, w/4 Speed		2	2	2	2	2	—	—	—	—	—	—	6023 654
21-30-6	KNOB, Gearshift Selector, w/4 Speed Trans.		1	—	1	—	—	—	—	—	—	—	—	2950 213
	w/3 Speed Trans., Floor Shift, w/Shift Pattern, Black, 1.81" O.D., 3/8"-16 L.H. Thread		1	1	1	1	1	—	—	—	—	—	—	3467 683
	w/3 Speed Trans., Column Shift		1	—	1	1	1	1	1	—	—	—	—	2883 402
	GRIP, Gearshift Selector Lever, w/4 Speed, Rt.		—	1	—	1	1	—	—	—	—	—	—	2996 466
	Lt.		—	1	—	1	1	—	—	—	—	—	—	2996 467
	NUT, Knob, w/3 Speed		1	1	1	1	1	—	—	—	—	—	—	6029 094
	w/4 Speed		1	—	1	—	—	—	—	—	—	—	—	6026 132
21-30-19	COVER, Gearshift Indicator Hole, w/Black Face		—	—	—	—	—	1	1	—	—	—	—	2927 067
	w/Black Face, 2 53/64" Lgh. SCREW, Mtg.		—	—	—	—	—	—	1	1	—	—	—	2927 258
			—	—	—	—	—	2	2	2	—	—	—	6024 654
21-30-21	LENS, w/o BEZEL, Gearshift Selector Lever, w/4 Speed Trans., w/Shift Pattern (Bezel Served in Code 21-30-2)		—	1	—	1	1	—	—	—	—	—	—	2996 464
21-30-22	PIN, Gearshift Selector Lever, w/3 Speed Trans., Floor Shift w/Hole		1	1	1	1	1	—	—	—	—	—	—	2534 515
21-30-38	BUSHING, Gearshift Control Rod, w/3 and 4 Speed Trans.		1	1	1	1	1	—	—	—	—	—	—	3467 245
21-30-43	SPRING, Gearshift Selector Lever, w/3 Speed Trans., Floor Shift		1	1	1	1	1	—	—	—	—	—	—	2996 305
21-30-57	GROMMET, Gearshift Selector Lever, Upper, w/3 Speed Trans., Floor Shift		3	3	3	3	3	—	—	—	—	—	—	2660 374
21-30-100	SPRING, Column Gearshift Lever, 8 Coils		1	—	1	1	1	1	1	—	—	—	—	2996 786
	PIN		1	—	1	1	1	1	1	—	—	—	—	9412 281
21-30-393	SPACER, Gearshift Selector Lever, Upper, w/3 Speed Trans., Floor Shift		3	3	3	3	3	—	—	—	—	—	—	2996 477
21-30-401	LOCK, Gearshift Operating Lever Reverse, w/3 Speed Trans., Shift		1	1	1	1	1	—	—	—	—	—	—	3467 020
21-30-403	HOUSING, Gearshift Selector Lever, w/3 Speed Trans., w/Floor Shift		1	1	1	1	1	—	—	—	—	—	—	2950 652
21-30-406	SPACER, Gearshift Mechanism Mounting, w/3 Speed Trans., w/Floor Shift Gearshift Operating Lever, w/3 Speed Trans., Floor Shift		3	—	3	—	—	—	—	—	—	—	—	2996 476
			1	1	1	1	1	—	—	—	—	—	—	3467 745

CARLINES J - Challenger V - Valiant
B - Barracuda L - Dart

R - Satellite P - Plymouth
W - Coronet - Charger D - Dodge

C - Chrysler
Y - Imperial

AR Indicates use as required.

Numerals in parentheses () refer to notes.

Printed in U.S.A.

Indicates parts not listed in any previous parts book.

★ Indicates change or addition.

November 1972

NOTE: All quantities are one (1) unless otherwise indicated in parenthesis

CODE	TRANSMISSION	3515 856 4 Speed	3410 759 4 Speed	3515 857 4 Speed	3515 858 4 Speed	3410 763 4 Speed
		A833	A833	A833	A833	A833

21-42-0 TRANSMISSION REMOTE CONTROL GEARSHIFT Cont'd.

21-42-23	LEVER Cont'd.					
	Interlock (2)	3410 093	3410 093	3410 093	3410 093	3410 093
	NUT, Operating Lever, (AR)	6028 034	6028 034	6028 034	6028 034	6028 034
	PIN, Interlock	6028 630	6028 630	6028 630	6028 630	6028 630
	SNAP RING, Interlock Pin	6023 878	6023 878	6023 878	6023 878	6023 878
21-42-31	SEAL, Gearshift Lever Shaft Oil (3)	1536 267	1536 267	1536 267	1536 267	1536 267

NOTE: All quantities are one (1) unless otherwise indicated in parenthesis.

CODE	TRANSMISSION	3681 832 3 Speed	3681 833 3 Speed	3681 834 3 Speed	3681 835 3 Speed	3681 836 3 Speed
		A230	A230	A230	A230	A230

21-01-0 TRANSMISSION SETS OR PACKAGES

21-01-3	SEAL and GASKET PACKAGE	3420 068	3420 068	3420 067	3420 067	3420 067
---------	-------------------------	----------	----------	----------	----------	----------

21-02-0 TRANSMISSION VENT

21-02-6	VENT	1630 746	1630 746	1630 746	1630 746	1630 746
---------	------	----------	----------	----------	----------	----------

21-03-0 TRANSMISSION CASE

21-03-1	CASE	3410 002	3410 002	3410 002	3410 064	3410 002
---------	------	----------	----------	----------	----------	----------

21-04-0 TRANSMISSION CASE EXTENSION

21-04-1	EXTENSION	3410 041	3410 041	3410 005	3410 005	3410 005
21-04-2	GASKET	3410 008	3410 008	3410 008	3410 008	3410 008
21-04-11	BUSHING	2801 726	2801 726	2801 724	2801 724	2801 724

21-09-0 TRANSMISSION MAIN DRIVE PINION

21-09-2	PINION, 36T., 20T., 23 Splines, 11" Lgh.	3410 066	3410 009	3410 009	3410 066	3410 066
21-09-5	BEARING w/o Snap Ring	3410 048	3410 048	3410 048	2801 890	3410 048
21-09-23	SNAP RING, Brg. 1 1/4" I.D., .088" thk. (AR)	6025 754	6025 754	6025 754	6025 754	6025 754
	.091" thk. (AR)	6025 755	6025 755	6025 755	6025 755	6025 755
	.094" thk. (AR)	6025 756	6025 756	6025 756	6025 756	6025 756
	.097" thk. (AR)	6025 757	6025 757	6025 757	6025 757	6025 757
	Outer	2124 518	2124 518	2124 518	6027 225	2124 518
21-09-29	RETAINER, Brg.	3410 395	3410 395	3410 395	3410 247	3410 395
21-09-30	SEAL, Brg., Rubber, Coated	2801 692	2801 692	2801 692	2801 692	2801 692
21-09-31	SCREW, Brg. Retainer (4)	1920 101	1920 101	1920 101	1920 101	1920 101
21-09-33	GASKET, Brg. Retainer	2124 499	2124 499	2124 499	2801 893	2124 499

21-10-0 TRANSMISSION MAIN DRIVE GEARS

21-10-3	GEAR, Low Speed	3410 068	3410 012	3410 012	3410 068	3410 068
21-10-16	GEAR, Second Speed, 30T., 24T	3410 067	-----	-----	3410 067	3410 067
	34T., 27T	-----	3410 011	3410 011	-----	-----
21-10-72	GEAR, 34T., 28T 34T., 32T	3410 069	-----	-----	3410 069	3410 069
		-----	3410 013	3410 013	-----	-----

21-11-0 TRANSMISSION REVERSE IDLER GEAR

21-11-1	GEAR	3410 072	3410 018	3410 018	3410 072	3410 072
21-11-2	ROLLER, Brg. 22	666 927	666 927	666 927	666 927	666 927
21-11-9	WASHER (2)	3515 472	3515 472	3515 472	3515 472	3515 472

CARLINES	J - Challenger B - Barracuda	V - Valiant L - Dart	R - Satellite W - Coronet - Charger	P - Plymouth D - Dodge	C - Chrysler Y - Imperial
----------	---------------------------------	-------------------------	--	---------------------------	------------------------------

AR Indicates use as required.

Numerals in parentheses () refer to notes.

Printed in U.S.A.

Indicates parts not listed in any previous parts book.

★ Indicates change or addition.

November 1972

AUTOMATIC TRANSMISSION 1972 PASSENGER CAR PARTS CATALOG

TRANSMISSION

CODE	PART NAME	ENG. TYPE OR CU. IN	V	B J	L	R	W	P	D	C (L)	C (P)	C (H)	Y	PART NUMBER
21-03-0 TRANSMISSION CASE Cont'd.														
21-03-6 COVER Cont'd.														
	w/400 and 440 Eng., Up To Approx. April 10, 1972, A727	8	—	—	—	1	1	1	1	1	1	1	1	1942 248
	w/400 and 440 Eng., AFTER Approx. Apr. 10, 1972	8	—	—	—	1	1	1	1	1	1	1	1	# 3515 920
	w/225 Eng., Heavy Duty, A727 SCREW, w/WASHER, 1/4" - 20 x 1/2"	6	—	—	—	1	1	1	1	—	—	—	—	2892 163
			AR	AR	AR	AR	AR	AR	AR	AR	AR	AR	AR	6023 092
21-03-7	COVER, Torque Conv. Drain, w/318 Eng., A904	8	1	1	1	1	1	1	1	—	—	—	—	2464 551
	V, L, B, J, R, W, w/340 Eng., R, W, P, D, w/318 Eng., P, D, C1, w/360 Eng. A727	8	1	1	1	1	1	1	1	—	—	—	—	2204 728
21-03-23	SCREW, w/WASHER, Case to Cyl. Block Strut to Cyl. Block		AR	AR	AR	AR	AR	AR	AR	4	4	4	4	6023 187
	Case to Cyl. Block, 3/8" - 16 x 2 5/8"		—	—	—	3	3	3	3	—	—	—	—	6027 252
	Strut to Case, 7/16" - 14 x 1 1/8"		AR	AR	AR	AR	AR	AR	AR	—	—	—	—	6023 143
	Strut to Case		2	2	2	2	2	2	2	2	2	2	2	180 122
	Case to Sturt, Lt., 7/16" - 14 x 1 7/8"		1	1	1	1	1	1	1	1	1	1	1	6024 862
	Cylinder Block to Trans. Case, Lt., 7/16 - 14 x 1 7/8"		1	1	1	1	1	1	1	—	—	—	—	6024 862
	Rt., 7/16" - 14 x 2 1/8"		—	—	—	1	1	1	1	—	—	—	—	6024 863
	Strut to Cyl. Block, 7/16" - 14 x 1 1/8"		2	2	2	2	2	2	2	—	—	—	—	6023 143
21-03-28	STRUT, Case to Cylinder Block Lt.	6	1	1	1	1	1	1	1	—	—	—	—	1949 701
	w/318, 340 and 360 Eng. Rt.	8	1	1	1	1	1	1	1	1	—	—	—	2204 702
	Lt.	8	1	1	1	1	1	1	1	1	—	—	—	2466 009

21-04-0 TRANSMISSION CASE EXTENSION DAMPER

21-04-19	WEIGHT, Damper, w/318 Eng., A94-1 Trans.	8	—	—	—	1	1	—	—	—	—	—	—	3515 395
	w/INSULATORS and SPACERS, A727	8	—	—	—	—	—	—	—	—	—	—	1	3681 327
	Bolt., A94-1	8	—	—	—	1	1	—	—	—	—	—	—	181 127
	Washer, A94-1	8	—	—	—	1	1	—	—	—	—	—	—	9417 793
	NUT, w/WASHER, A94-1	8	—	—	—	1	1	—	—	—	—	—	—	6025 011
	BOLT, 5/16" - 18, A727	8	—	—	—	—	—	—	—	—	—	—	2	181 091
	WASHER, A727	8	—	—	—	—	—	—	—	—	—	—	2	446 363
21-04-22	SPACER, A727	8	—	—	—	—	—	—	—	—	—	—	2	3681 189
21-04-26	INSULATOR, Damper Weight, w/318 Eng., A94-1 Trans.	8	—	—	—	1	1	—	—	—	—	—	—	3515 578
	A727	8	—	—	—	—	—	—	—	—	—	—	2	3681 190
21-04-27	SUPPORT, Damper Weight, w/318 Eng., A94-1 Trans.	8	—	—	—	1	1	—	—	—	—	—	—	3515 396
	SCREW, Support	8	—	—	—	3	3	—	—	—	—	—	—	180 077

21-30-0 TRANSMISSION GEARSHIFT CONTROLS

21-30-2	LEVER, w/KNOB, Column Shift, Chrysler Blt.	1	—	1	1	1	1	1	1	1	1	1	1	3575 036
	Column Shift, w/Knob, Chrysler Blt.	—	1	—	—	—	—	—	—	—	—	—	—	3575 038
	w/o Knob, w/Bracket, w/Console w/Tilt and Telescopic, Saginaw	1	—	1	—	—	1	—	—	—	—	—	—	3467 641
	Blt.	—	—	—	1	1	1	1	1	1	1	1	1	3575 216
	PIN, Column Shift Spring	1	1	1	1	1	1	1	—	—	—	—	—	9412 281
	WASHER, Pivot Stud, w/Console	1	—	1	—	—	1	—	—	—	—	—	—	632 258
	Pivot Stud Spring, w/Console	1	—	1	—	—	1	—	—	—	—	—	—	6026 239
21-30-6	KNOB, w/PAD, Gearshift Control Selector Lever, w/Console, Wood Grained	1	—	1	—	—	1	—	—	—	—	—	—	2950 713
	Column Shift Lever	1	1	1	1	1	1	1	1	1	1	1	1	2883 402
	HANDLE, w/Console	—	1	—	1	1	—	—	—	—	—	—	—	3467 760

CARLINES J - Challenger V - Valiant
B - Barracuda L - Dart

R - Satellite P - Plymouth
W - Coronet - Charger D - Dodge

C - Chrysler
Y - Imperial

AR Indicates use as required.

Numerals in parentheses () refer to notes.

Printed in U.S.A.

Indicates parts not listed in any previous parts book.

★ Indicates change or addition.

November 1972

AUTOMATIC TRANSMISSION 1972 PASSENGER CAR PARTS CATALOG

NOTE: All quantities are (1) unless otherwise indicated in parenthesis.

CODE	TRANSMISSION	# 3681 051 3515 841 A727	# 3681 052 3515 843 A727	# 3681 053 3515 844 A727
21-139-0 TRANSMISSION VALVE BODY AND VALVES Cont'd.				
21-139-74	SCREW Cont'd. Use w/3681 051, 3681 052 and 3681 053 Trans.)	# 3681 242	# 3621 242	# 3621 242
21-139-76	NUT, Throttle Pressure Adjusting Screw Lock, UP TO Approx. Nov. 26, 1971 (10-24) (Use w/3515 841, 3515 843 and 3515 844 Trans.) AFTER Approx. Nov. 26, 1971 (10-24) (Use w/3515 841, 3515 843 and 3515 844 Trans.) Line Pressure Adjusting Screw	2892 353 3515 276 2124 737	2892 353 3515 276 2124 737	2892 353 3515 276 2124 737
21-139-78	VALVE, Kickdown	2892 351	2892 351	2892 351
	PLUG, Kickdown Detent	2892 352	2892 352	2892 352
21-139-95	VALVE, Shuttle	2892 926	2892 926	2892 926
	PLUG, Shuttle Valve	2892 927	2892 927	2892 927
21-139-98	SNAP RING, Shuttle Valve	6025 857	6025 857	6025 857
21-139-101	SPRING, Shuttle Valve, Primary Use w/3681 051 Trans.	3515 502 # 3681 252	3515 047	3515 047
	Secondary	3515 048	3515 048	3515 048
21-139-105	VALVE, 1-2 Shift Control	3410 912	3410 912	3410 912
	VALVE, 1-2 Shift	3410 881	3410 881	3410 881
	PLUG, 1-2 Shift Valve, w/o Center Ring w/Center Ring (Use w/3515 841, 3515 843 and 3515 844)	3410 826 3515 948	3410 826	3410 826
	VALVE, 2-3 Shift	3515 132	3515 132	3515 132
	PLUG, 2-3 Shift Valve	2892 990	2892 990	2892 990
21-139-108	SPRING, 1-2 Shift Valve	2204 547	2204 547	2204 547
	1-2 Shift Control	3410 517	3410 517	3410 517
	Use w/3681 051 Trans.	# 3681 253	-----	-----
	2-3 Shift Valve	1942 231	1942 231	1942 231
21-139-117	VALVE, Torque Conv. Control	2124 256	2124 256	2124 256
21-139-118	SPRING, Torque Conv. Control Valve	2124 257	2124 257	2124 257
21-139-135	COVER, Regulator Valve	2205 034	2205 034	2205 034
	Shift Valve Plug	3410 378	3410 378	3410 378
	Shuttle Valve	3410 889	3410 889	3410 889
	Limit Valve	-----	2892 944	2892 944
	Use w/3681 051 Trans. Shift and 1-2 Shift Control (Use w/3515 841 Trans.)	2892 944 3515 480	-----	-----
	SCREW, w/WASHER, Limit Valve Cover (10-24 x 1") (3)	-----	6029 272	6029 272
	10-24 x 1 3/64" Use w/3681 051 Trans. (3)	6092 272	# 6029 883	# 6029 883
	Shuttle and Shift Valve Cover (AR)	6029 271	6029 271	6029 271
	Regulator Valve Cover (2)	6029 271	6029 271	6029 271

CARLINES

J - Challenger
B - BarracudaV - Valiant
L - DartR - Satellite
W - Coronet - ChargerP - Plymouth
D - DodgeC - Chrysler
Y - Imperial

AR Indicates use as required.

Indicates parts not listed in any previous parts book.

Numerals in parentheses () refer to notes.

★ Indicates change or addition.

Printed in U.S.A.
November 1972

AUTOMATIC TRANSMISSION 1972 PASSENGER CAR PARTS CATALOG

NOTE: All quantities are one (1) unless otherwise indicated in parenthesis.

		# 3681 061 3515 871	3515 872	# 3681 063 3515 873	3515 827
CODE	TRANSMISSION	A904	A904	A94-1	A904
21-137-0 TRANSMISSION SERVOS Cont'd.					
21-137-59	SNAP RING, Reverse Servo Piston Spring Retainer	2464 464	2464 464	2464 464	2464 464
21-137-200	PISTON, Accumulator	3410 908	3410 908	3410 908	3410 908
21-137-202	RING, Accumulator Piston Seal, Small, 1 1/16" O.D.	1941 831	1941 831	1941 831	1941 831
	Large, 2" O.D.	2124 255	2124 255	2124 255	2124 255
21-137-205	SPRING, Accumulator	2125 109	2125 109	3515 411	2125 109
21-138-0 TRANSMISSION GOVERNOR					
21-138-2	REPAIR PACKAGE, Governor	3621 455	3621 454	3621 454	3621 455
21-138-7	SNAP RING, Governor Body	6027 271	6027 271	6027 271	6027 271
21-138-10	SUPPORT, Governor	2538 635	2538 635	2538 635	2538 635
21-138-13	WEIGHT, Governor, Outer	3515 491	1636 461	1636 461	3515 491
	Inner	3515 482	3515 478	3515 478	3515 482
21-138-15	SPRING, Governor Weight	3515 110	3515 085	3515 085	3515 110
21-138-19	SNAP RING, Governor Weight, Outer	1636 465	1636 465	1636 465	1636 465
	Inner	1636 464	1636 464	1636 464	1636 464
21-138-21	LOCK, Governor Body Bolt (2)	2125 024	2125 024	2125 024	2125 024
21-138-23	VALVE, Governor .859" lgh.	3515 479	3515 479	3515 479	3515 479
21-138-26	SHAFT, Governor Valve	1556 082	1556 082	1556 082	1556 082
21-138-29	SNAP Ring, Governor Valve Shaft (2)	1638 461	1638 461	1638 461	1638 461
21-138-38	RING, Governor Support Seal, Frt. and Rr. (2)	1942 109	1942 109	1942 109	1942 109

21-139-0 TRANSMISSION VALVE BODY AND VALVES

21-139-4	BODY, w/Transfer PLATE and Valve Use w/3681 061 and 3681 063 Trans.	3410 508	3410 508	3410 509	3410 508
	BALL, Check Valve, Small (5)	# 3681 474	-----	# 3681 469	-----
21-139-9	VALVE, Manual	104 918	104 918	104 918	104 918
21-139-11	VALVE, Limit	2801 259	2801 259	2801 259	2801 259
21-139-12	LEVER, w/INSULATOR, Manual Valve	-----	-----	3410 560	-----
21-139-16	SEAL, Manual Valve Shaft	3410 484	3410 484	3410 484	3410 484
21-139-19	SEAL, Manual Valve Shaft	2466 842	2466 842	2466 842	2466 842
21-139-19	BODY, Limit Valve	-----	-----	3410 564	-----
21-139-24	SPRING, Manual Valve Lever Detent	2466 615	2466 615	2466 615	2466 615
21-139-30	VALVE, Throttle	2892 349	2892 349	2892 349	2892 349
21-139-33	SPRING, Throttle Valve	2892 350	2892 350	2892 350	2892 350
21-139-34	PIN, Manual Valve Lever Spring	2466 756	2466 756	2466 756	2466 756
21-139-46	WASHER, Throttle Valve Lever Shaft	2538 062	2538 062	2538 062	2538 062
21-139-47	SEAL, Throttle Lever Shaft, 11/16" O.D.	2466 548	2466 548	2466 548	2466 548
21-139-49	"E" Ring, Throttle Valve Lever Shaft	6025 857	6025 857	6025 857	6025 857
21-139-50	LEVER, Throttle Valve Use w/3681 061 and 3681 063 Trans.	2466 854	2466 854	2466 854	2466 854
		# 3681 227	-----	# 3621 227	-----

CARLINES

J - Challenger
B - BarracudaV - Valiant
L - DartR - Satellite
W - Coronet - ChargerP - Plymouth
D - DodgeC - Chrysler
Y - Imperial

AR Indicates use as required.

Numerals in parentheses () refer to notes.

Printed in U.S.A.

Indicates parts not listed in any previous parts book.

★ Indicates change or addition.

November 1972



Technical Service Bulletin

Interest General Manager Sales Manager Service Manager Parts Manager Service Technicians

Many window system problems may be related to "loose" attachments of some components to the window glass.

Aug. 30, 1972

When correcting a loose or disabled window system, it is recommended that "Loctite" Thread Locking Sealant TL242, "Loctite" Lock N'Seal, or equivalent, be used during the reassembly.

No. 23-26-72C

Repair Procedure:

BODY

1. Disassemble the window system to the required repair or replacement level as described in the Service Manual.

Loose Window Glass Attachments

2. Examine all attachments and replace any damaged items.

3. Should the problem be a loose lift channel, discard any expanding plastic fasteners and 1/4-14 screw combinations and replace with current two piece lift channel fasteners with T-nut, bushing and 1/4-20 screws. (For example, replace Part Nos. 2811852 and 6028312 with Part Nos. 3582304, 3582306 and screw 6030075 for PDCY) See illustrations.

4. Following the manufacturers' recommendations, apply Loctite TL242, Lock N'Seal, or equivalent, to the male and female threads of all 1/4-20 screw and nut attachments to the window glass.

5. Reassemble the window system as described in the Service Manual.

POLICY: INFORMATION ONLY

MODELS:
All 1972
and Prior

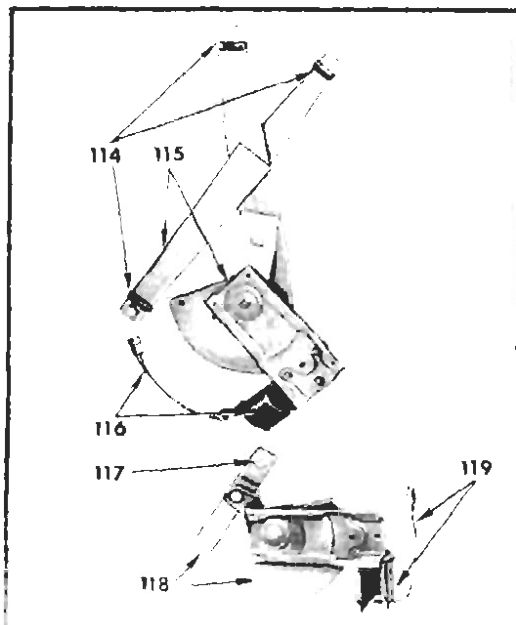
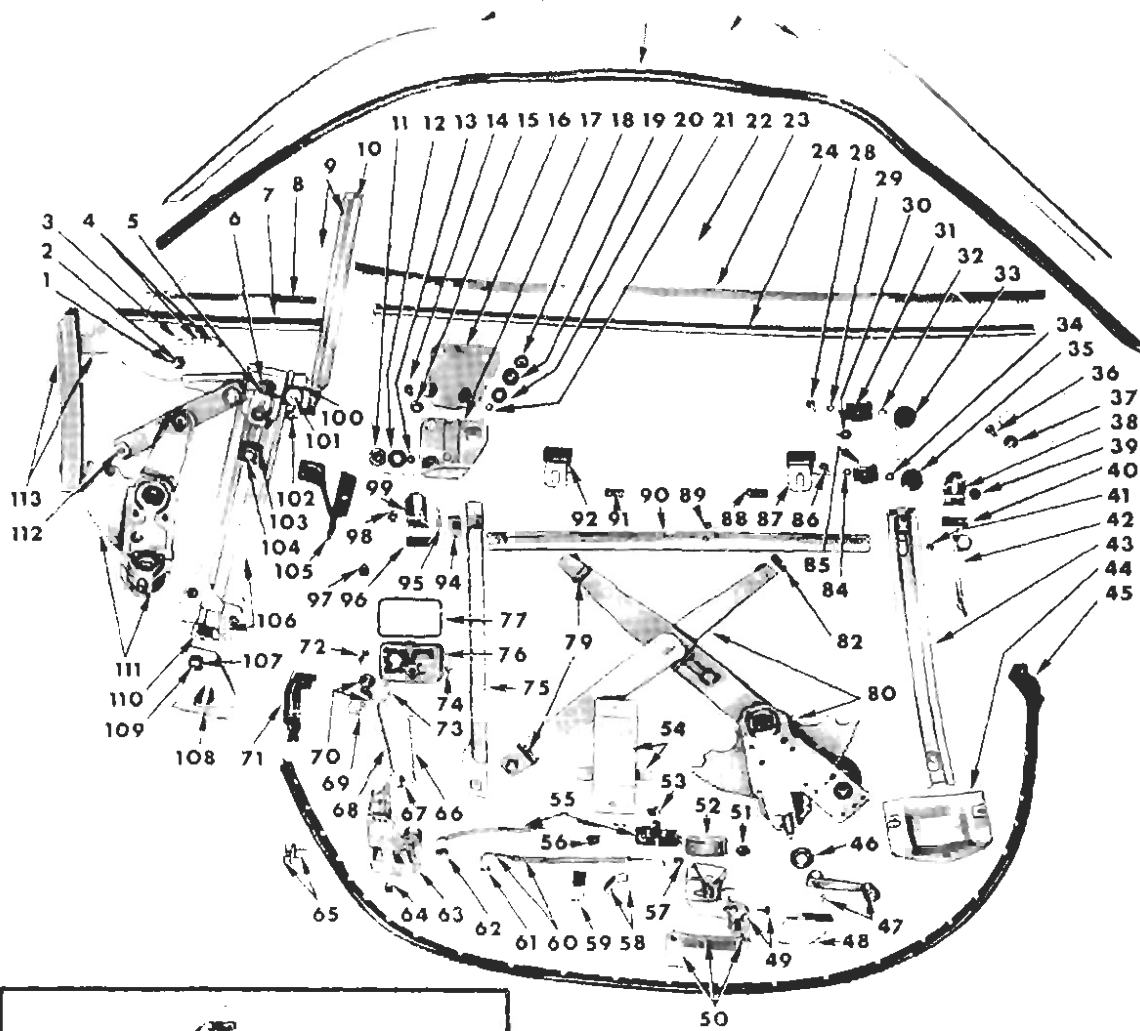
J. D. MORTON
Manager - Technical Services
U. S. AUTOMOTIVE SALES & SERVICE

P-2513-C

(Over)

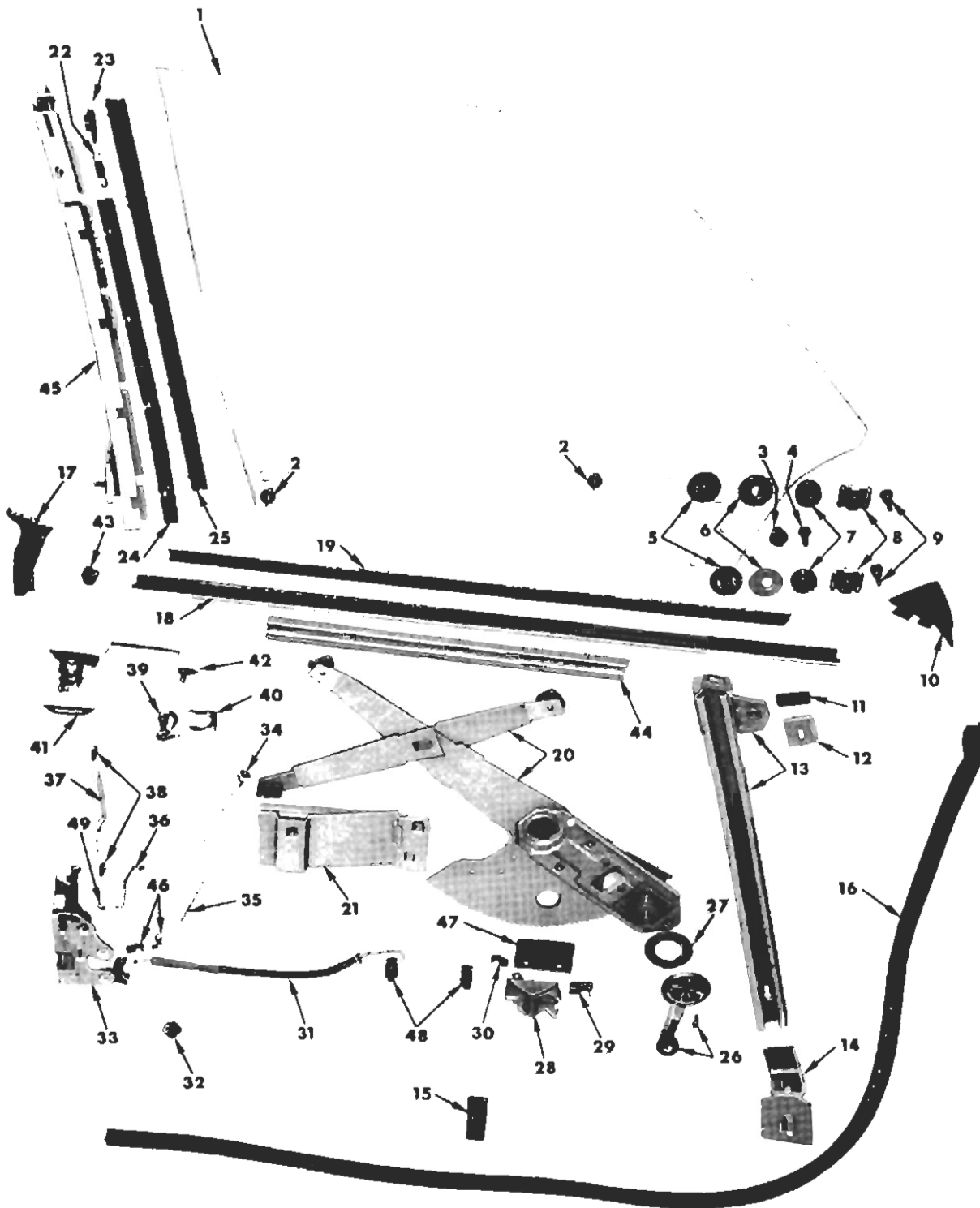
THIS BULLETIN IS SUPPLIED AS TECHNICAL INFORMATION ONLY AND IS NOT AN AUTHORIZATION FOR REPAIRS. NO PART OF THIS MATERIAL NOT AUTHORIZED UNLESS APPROVED.





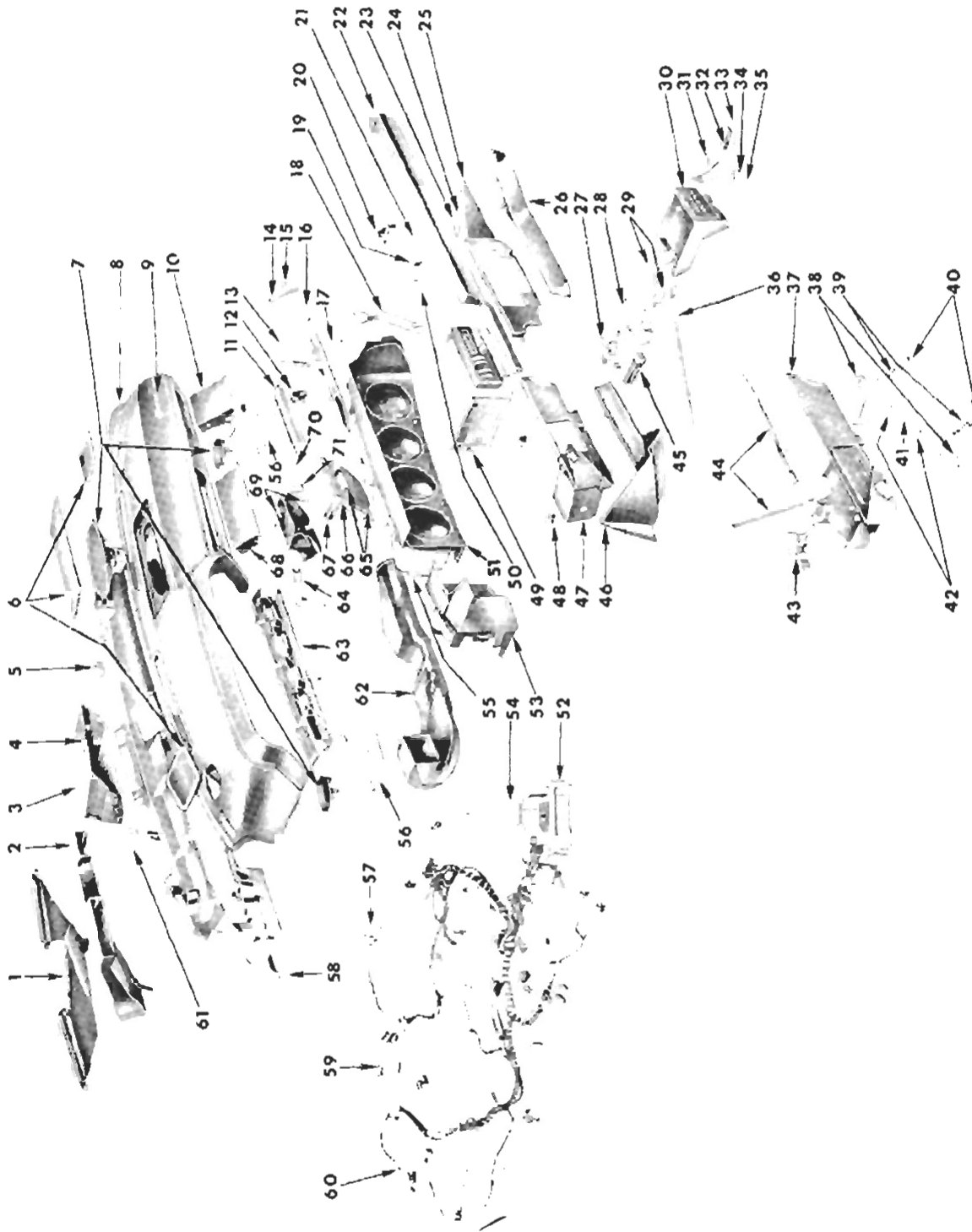
19a13361A

DOOR AND QUARTER WINDOW REGULATORS AND WEATHERSTRIPS -
BARRACUDA AND CHALLENGER 2 DOOR HARDTOP



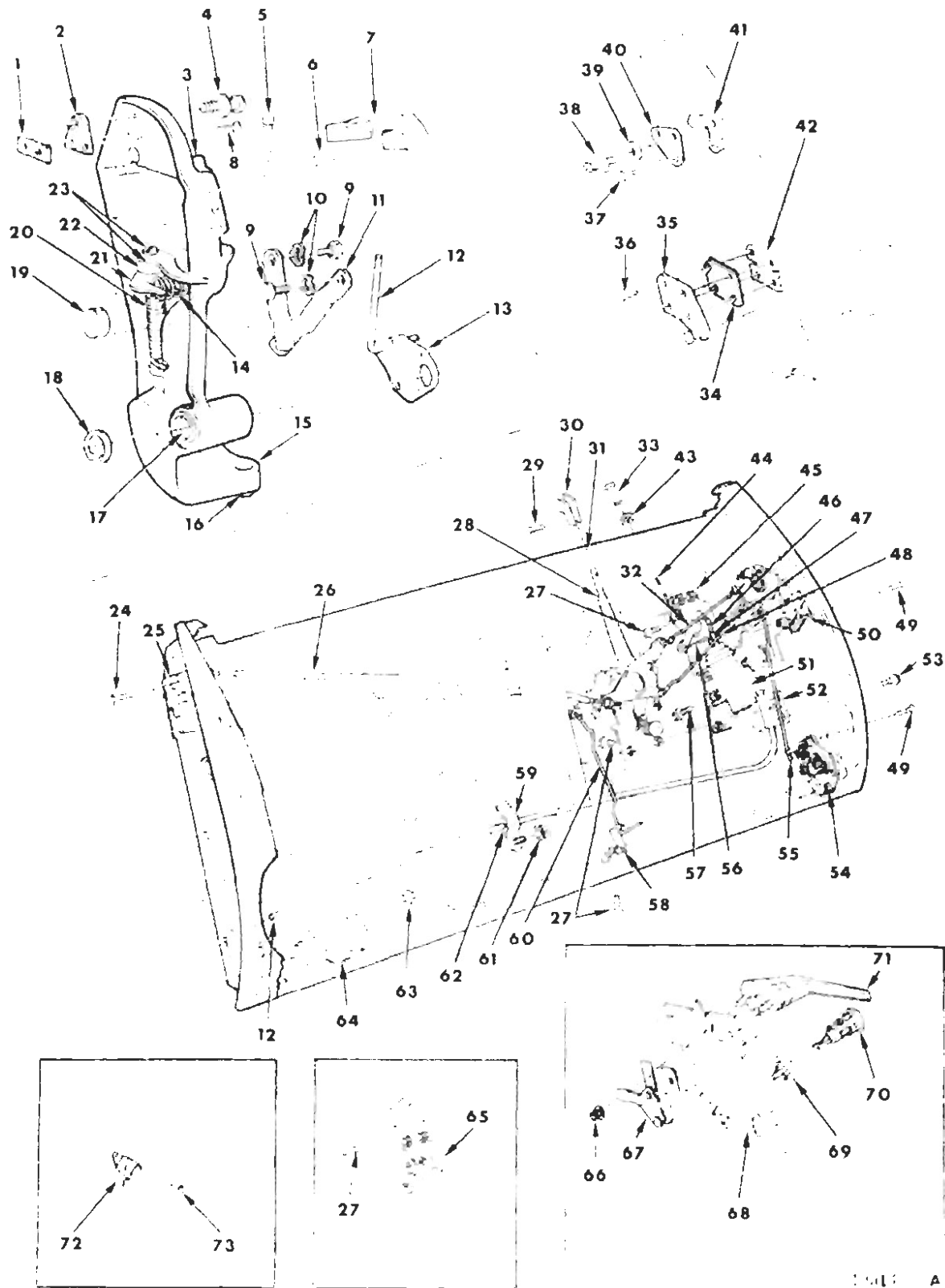
19a13716A

FRONT DOOR WINDOW REGULATORS AND WEATHERSTRIPS - PLYMOUTH,
DODGE, CHRYSLER AND IMPERIAL 4 DOOR HARDTOP

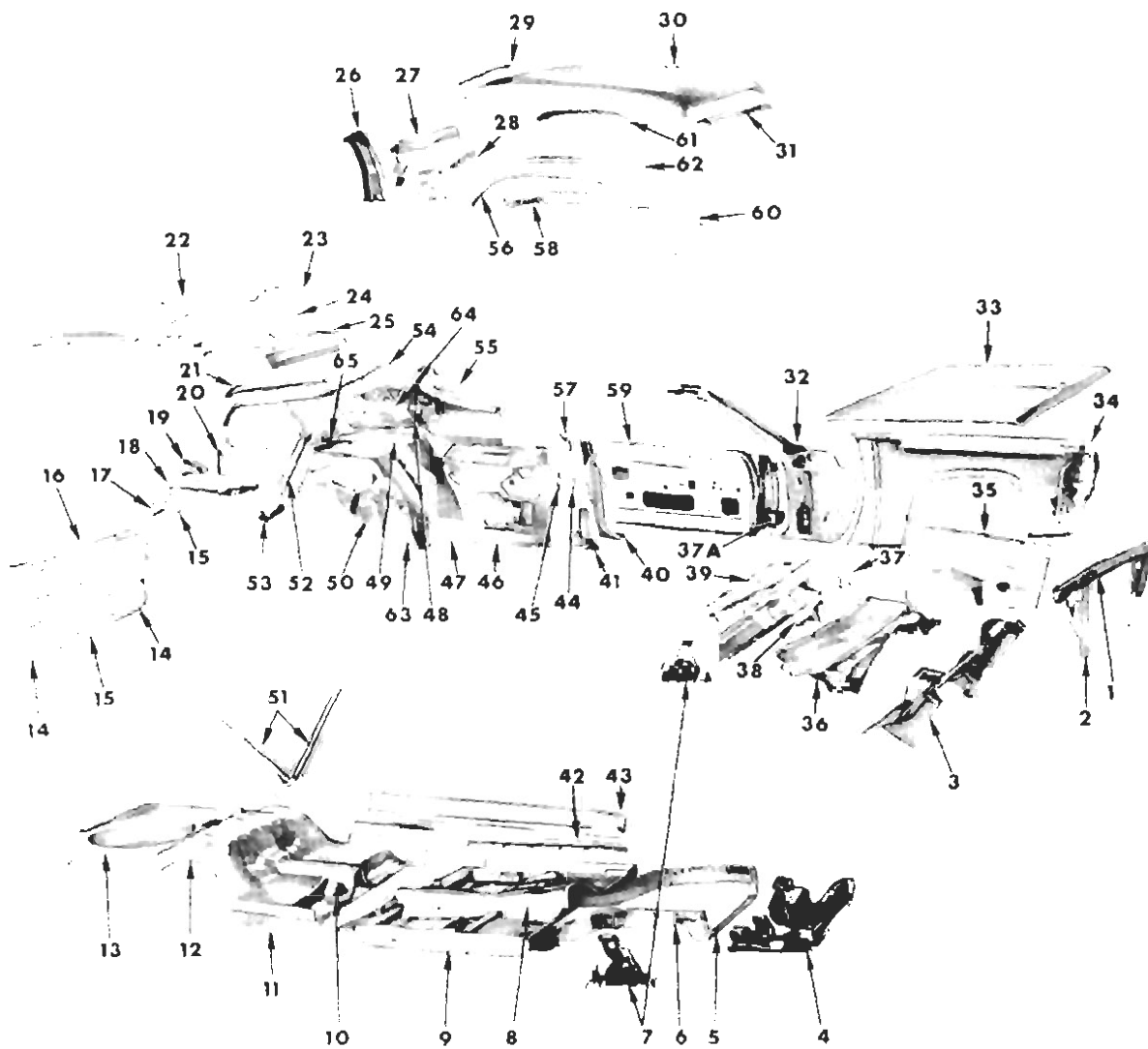


19a132b0

INSTRUMENT PANEL - CHALLENGER (TYPICAL OF BARRACUDA)

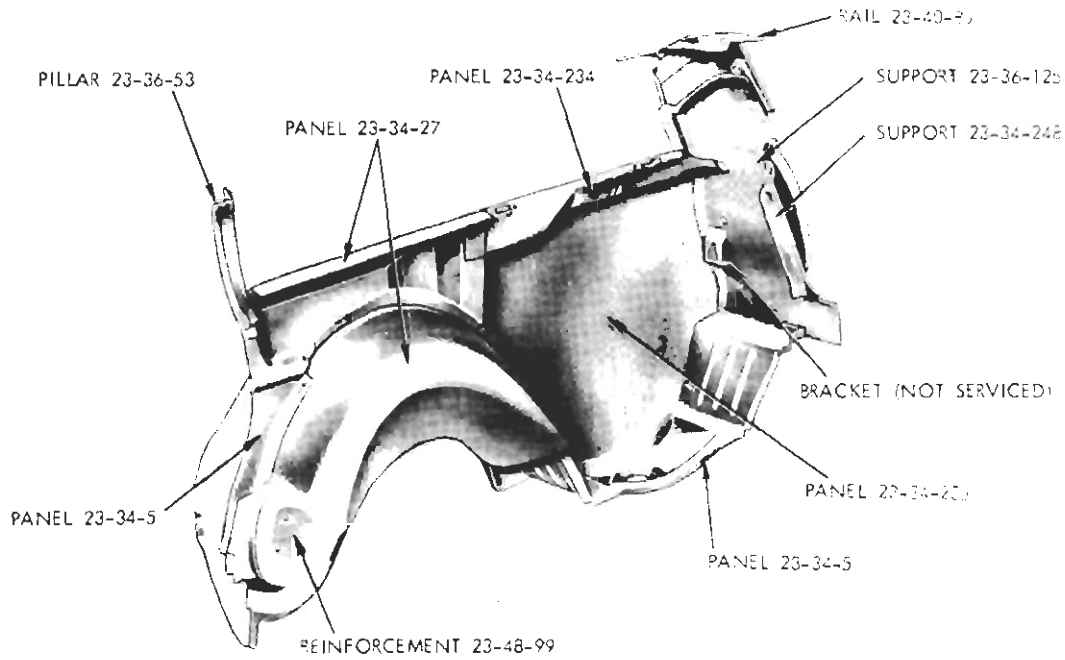


TAILGATE (TWO WAY) - PLYMOUTH, DODGE AND CHRYSLER (OUTSIDE VIEW)



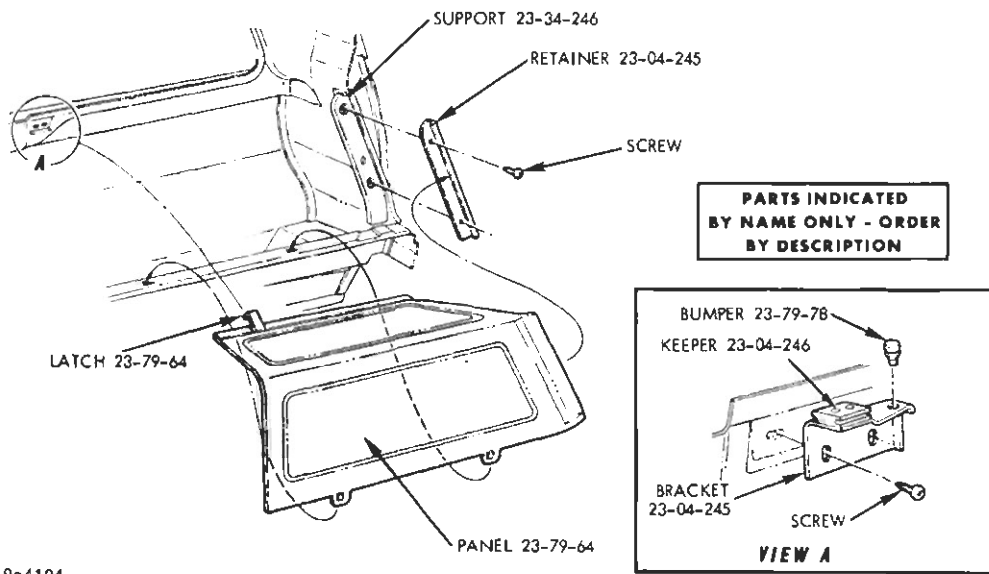
1972-0000A

BODY IN WHITE - VALIANT AND DART



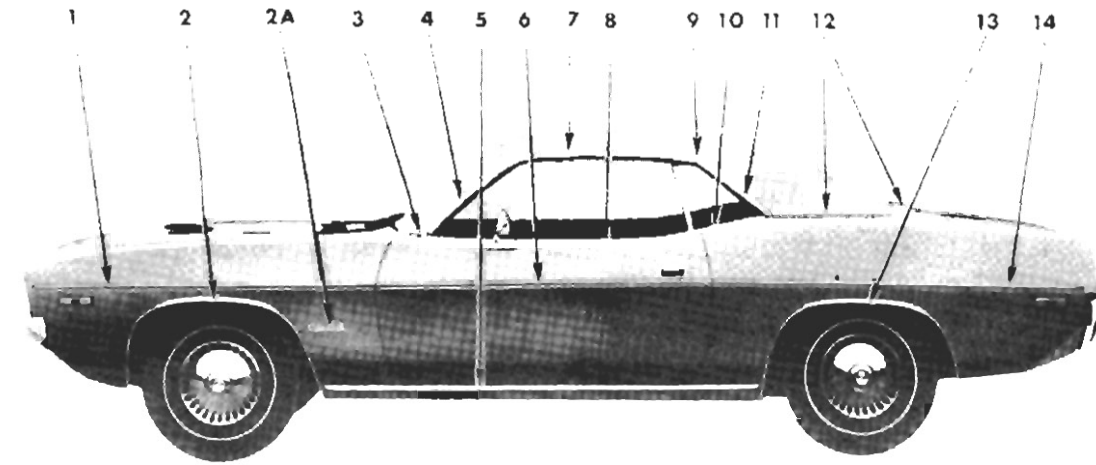
19a3433

REAR QUARTER PANEL SPARE TIRE CARRIER -
SATELLITE AND CORONA T STATION WAGON



19a4104

SPARE TIRE COVER OR PANEL - R AND W STATION WAGON



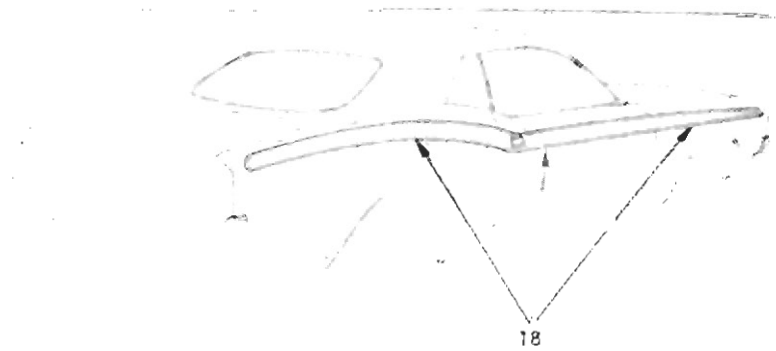
g

h

15

16

17



18

13a3968 A

EXTERIOR VIEW - BARRACUDA (CUDA) B-S 2 DOOR HARDTOP

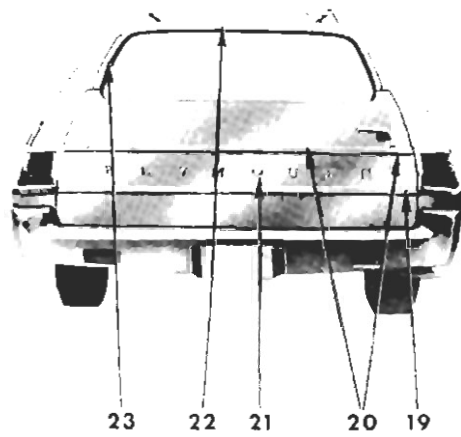
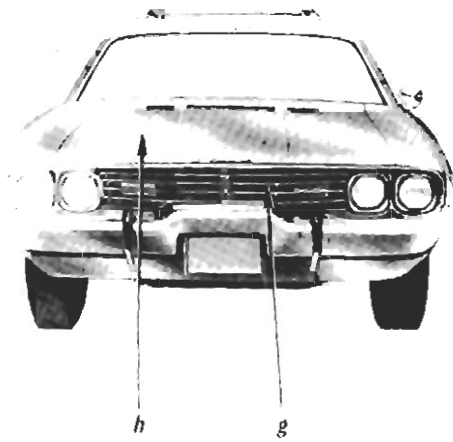
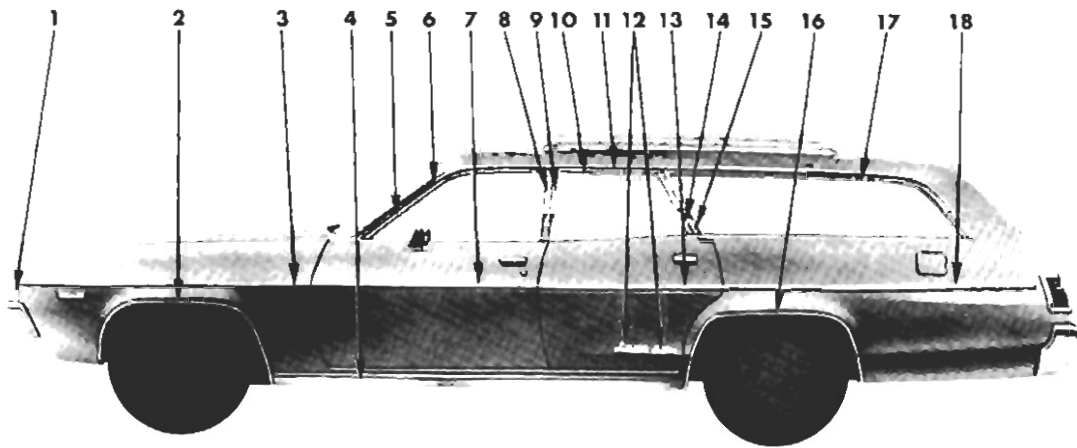
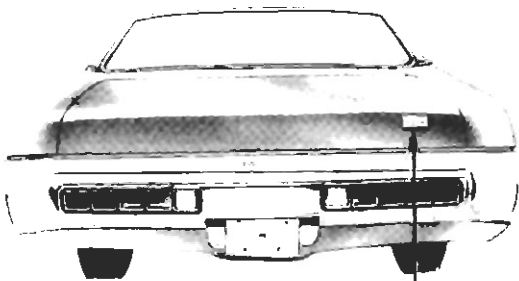
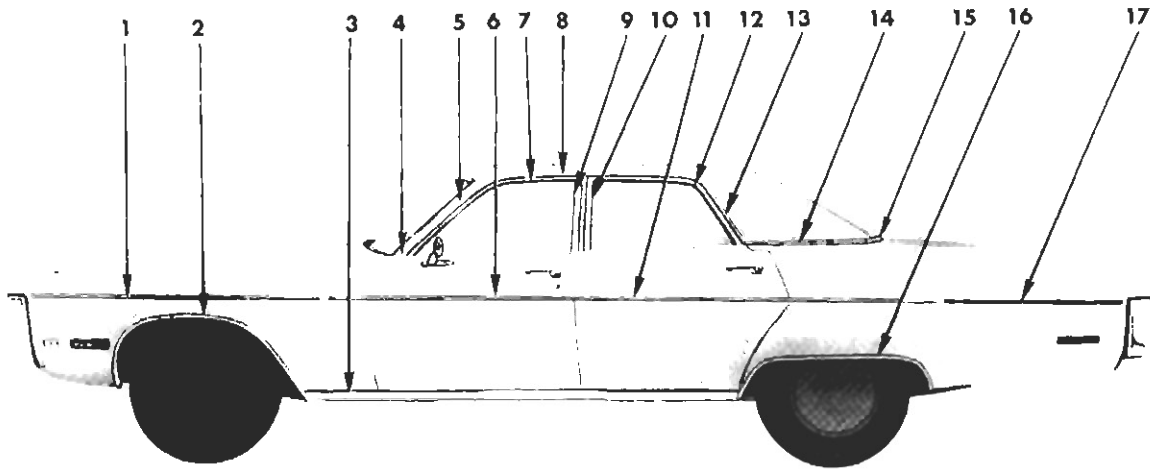
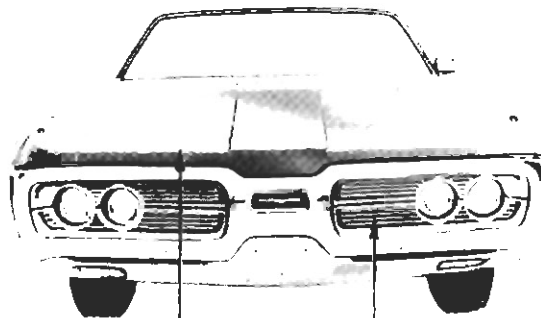


FIG. 41

EXTERIOR VIEW - SATELLITE CUSTOM R-H STATION WAGON



18

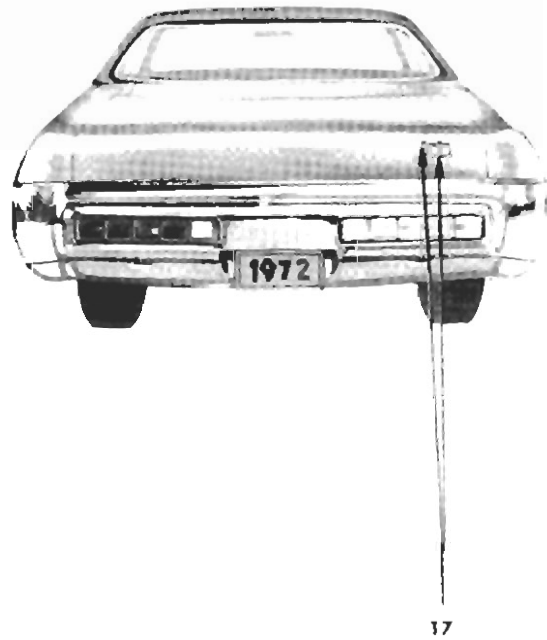
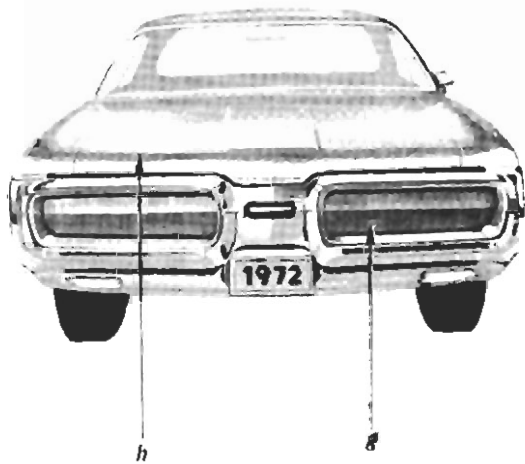
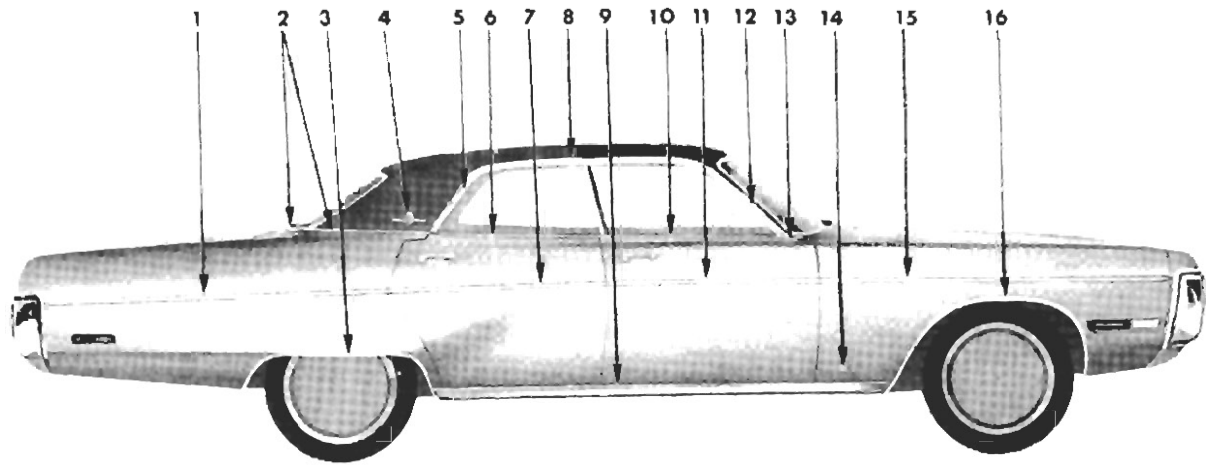


h

g

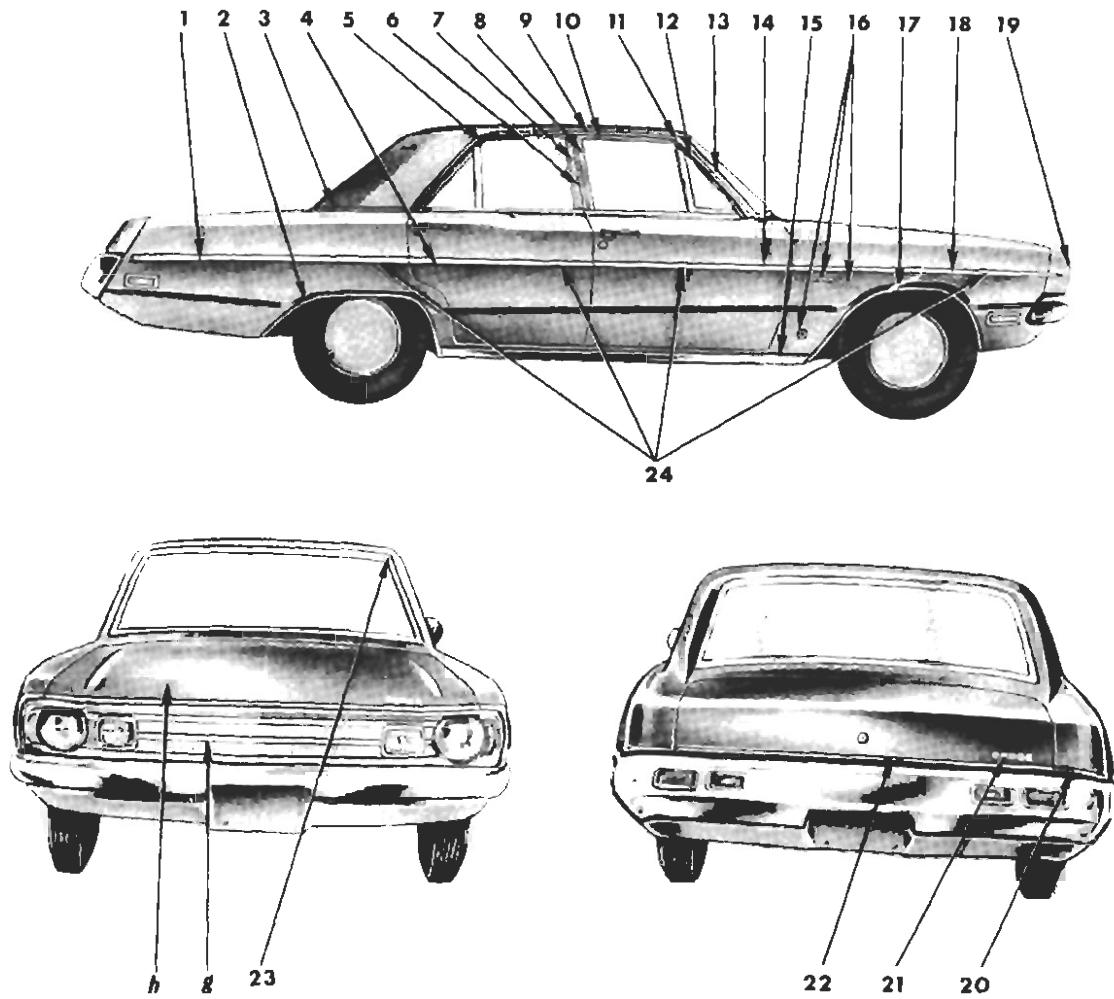
19a4030

EXTERIOR VIEW - PLYMOUTH FURY III P-H 4 DOOR SEDAN



19A3980 A

EXTERIOR VIEW - PLYMOUTH FURY P-P (GRAN SEDAN) 4 DOOR HARDTOP



19a3917 A

EXTERIOR VIEW - DART CUSTOM L-H 4 DOOR SEDAN

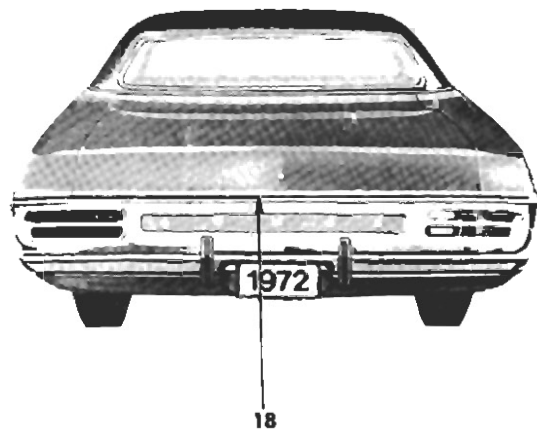
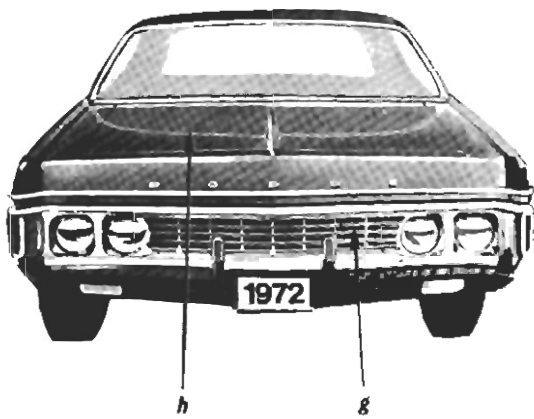
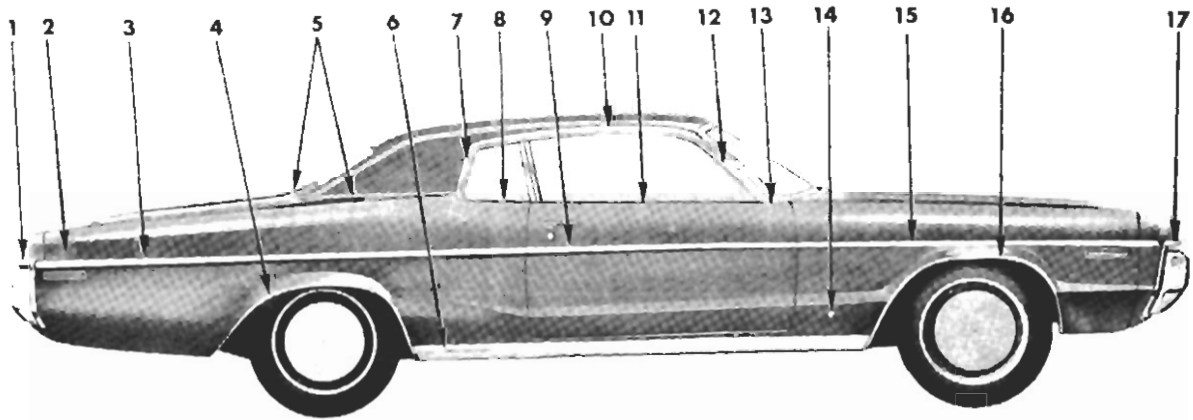
1972 PASSENGER CAR PARTS CATALOG

REF. NO.	QTY	PART NUMBER	DESCRIPTION
26	1	3685 012-3	MOULDING PACKAGE, Qtr. Pnl., Black Insert (23-23-39)
-		6002 633	Retainer
-		6024 271	Screw
-		6003 313	Retainer
-		6029 259	Nut
27	1	3685 022-3	MOULDING PACKAGE, Qtr. Pnl. Lwr., Rear (23-23-39)
-		6001 482	Retainer
-		---- ---	Screw
28	1	3683 325	MOULDING PACKAGE, Tailgate, Upr. Center, Manual (23-23-61)
-		6003 012	Retainer
-		6003 266	Retainer
-		6026 523	Nut
1		3683 391	MOULDING PACKAGE, Tailgate, Upr. Center, Rt., Manual (23-23-61)
-		6003 012	Retainer
-		6024 271	Screw
1		3683 402	MOULDING PACKAGE, Tailgate, Upr. Center, Elect. (23-23-61)
-		6003 012	Retainer
-		6003 266	Retainer
-		6026 526	Nut
1		3620 266	MOULDING PACKAGE, Tailgate, Upr., Outer (23-23-61)
-		6003 264	Retainer
-		6026 523	Nut

REF. NO.	QTY	PART NUMBER	DESCRIPTION
29	1	3440 120	MOULDING, Roof Pnl. Tailgate Opng. Upr. (23-23-60)
-		9414 732	Screw
30	1	3440 194-5	MOULDING, Qtr. Pnl. Tailgate Pillar Upr. (23-23-60)
-		9414 732	Screw
31	1	3613 209	MOULDING, Tailgate (23-23-61)
-		9420 278	Nut
-		6025 458	Washer
g		NOTE:	For Grille Mouldings and Ornamentation see Illustration in Group 7
h		NOTE:	For Hood Mouldings and Ornamentation see Illustration in Group 15

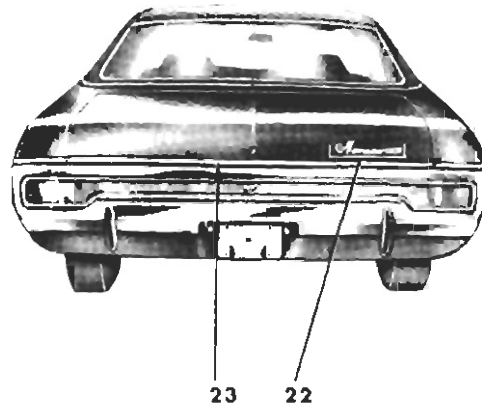
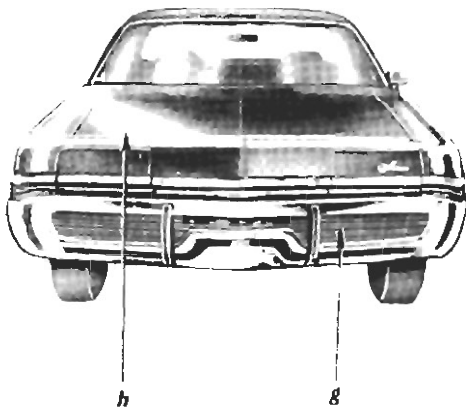
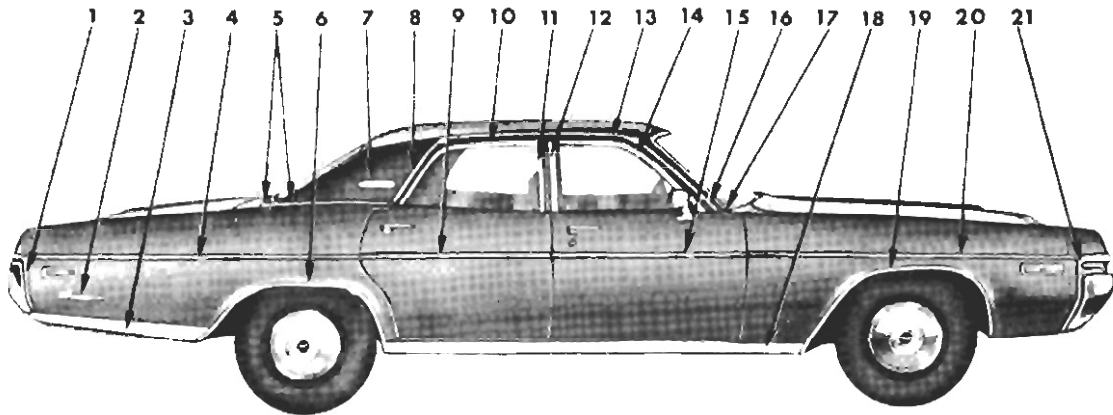
All Packages Include Attaching Parts

Part Type Code is Indicated in Parentheses



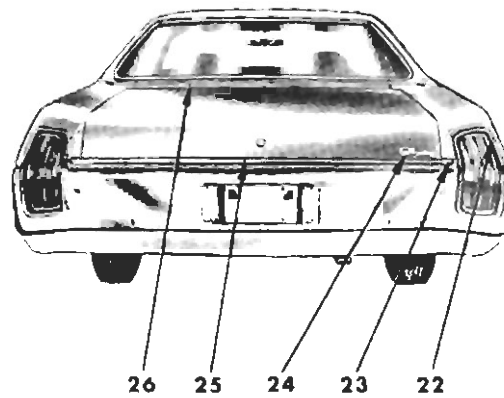
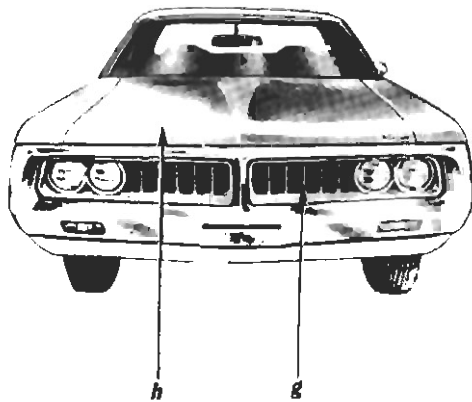
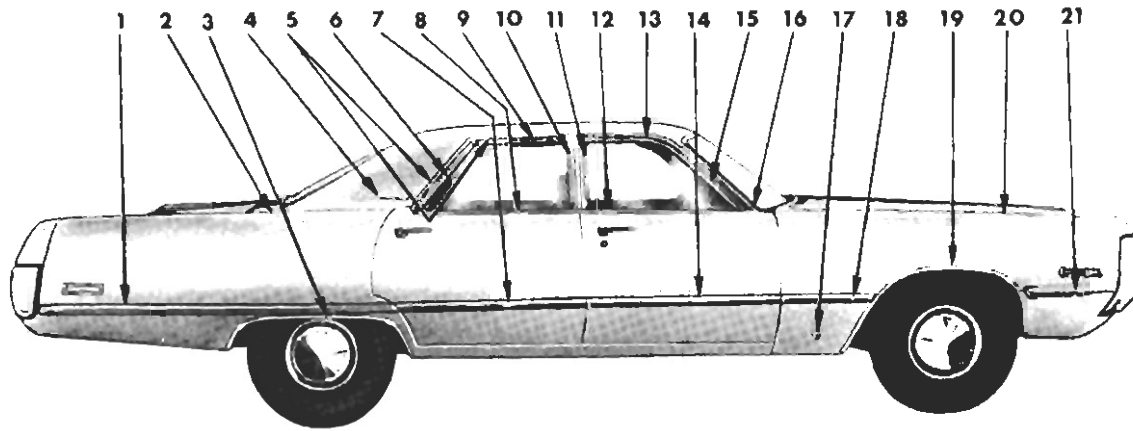
19a3912

EXTERIOR VIEW - DODGE POLARA D-1, 2 DOOR HARDTOP



19a4052

EXTERIOR VIEW - DODGE MONACO D-P 4 DOOR SEDAN



19a3994

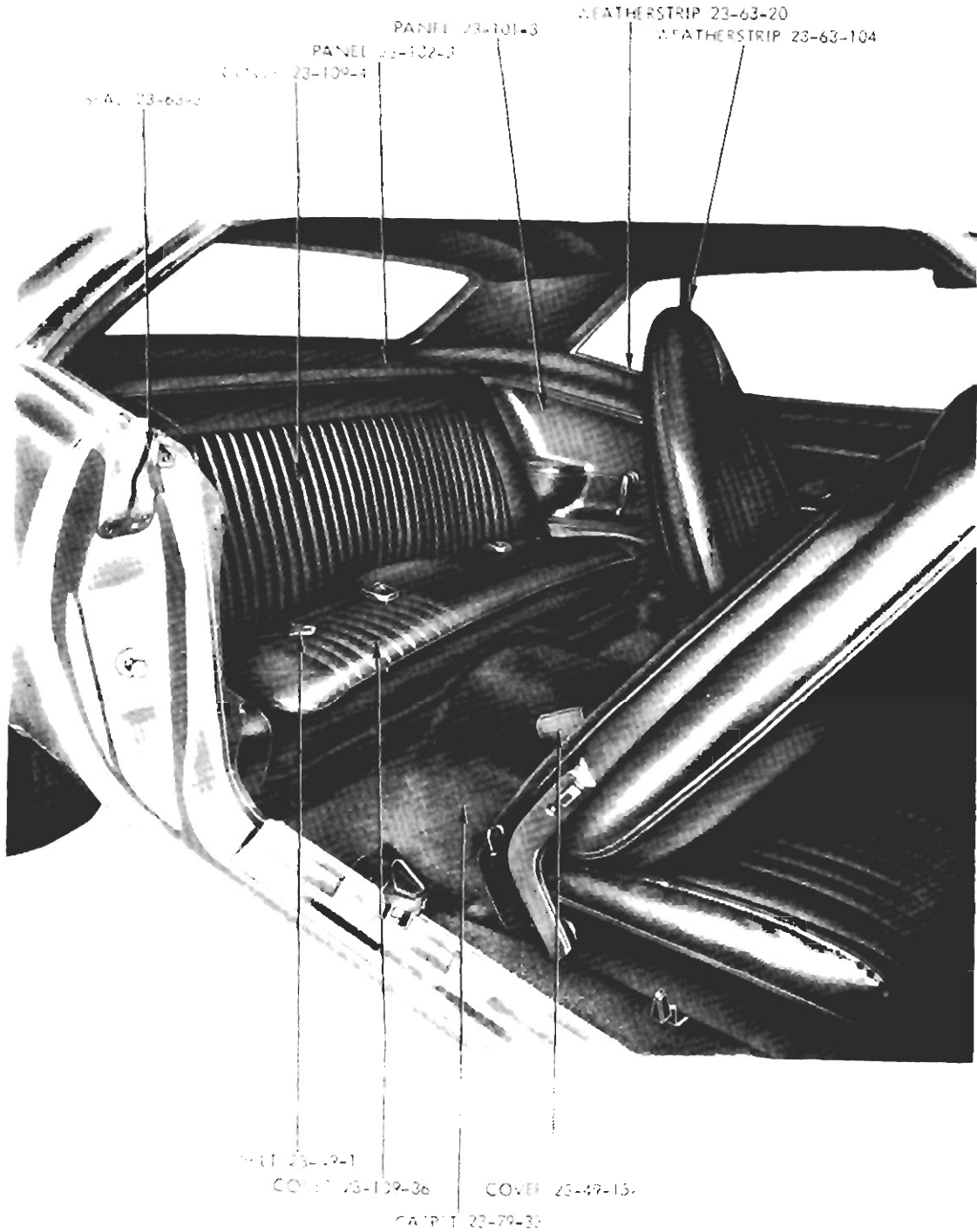
EXTERIOR VIEW - CHRYSLER NEWPORT CUSTOM C-M 4 DOOR SEDAN

REF. NO.	QTY	PART NUMBER	DESCRIPTION
20	1	3683 554-5	MOULDING PACKAGE, Fender Side Frt. Upr., Black (12-15-2)
	1	3683 556-7	Blue (12-15-2)
	1	3683 558-9	Green (12-15-2)
	1	3683 560-1	Tan (12-15-2)
	1	3683 562-3	Gold (12-15-2)
	-	6003 172	Retainer
	-	6029 259	Nut
	-	6003 170	Retainer
	-	6024 271	Screw
21	1	3613 046	NAME PLATE, Deck Lid, "Chrysler" (23-19-114)
	1	3613 047	"New Yorker" (23-19-114)
22	1	3683 461	MOULDING PACKAGE, Deck Opng. Lwr. Pnl. (23-23-23)
	-	6024 271	Screw
23	1	3586 918	MEDALLION, Deck Lid Lock Cyl. (23-17-19)
	-	9420 293	Nut
24	1	3683 780	MOULDING PACKAGE, Deck Opng. Upr. Pnl., Black (23-23-31)
	1	3683 781	Blue (23-23-31)
	1	3683 782	Green (23-23-31)
	1	3683 783	Tan (23-23-31)
	1	3683 784	White (23-23-31)
	1	3683 785	Gold (23-23-31)
	1	3744 178	Parchment (Sprg. Spec. May 1, 1972) (23-23-31)
	-	6003 147	Retainer
	-	6003 253	Retainer

REF. NO.	QTY	PART NUMBER	DESCRIPTION
25	1	3685 542-3	MOULDING PACKAGE, Qtr. Outside Bumper Periphery, Upr. (23-23-39)
	1	3685 544-5	MOULDING PACKAGE, Qtr. Outside Bumper Periphery, Lwr. (23-23-39)
	-	6024 271	Screw
	-	9432 624	Screw
g		NOTE:	For Grille Mouldings and Ornamentation see Illustration in Group 7
h		NOTE:	For Hood Mouldings and Ornamentation see Illustration in Group 15

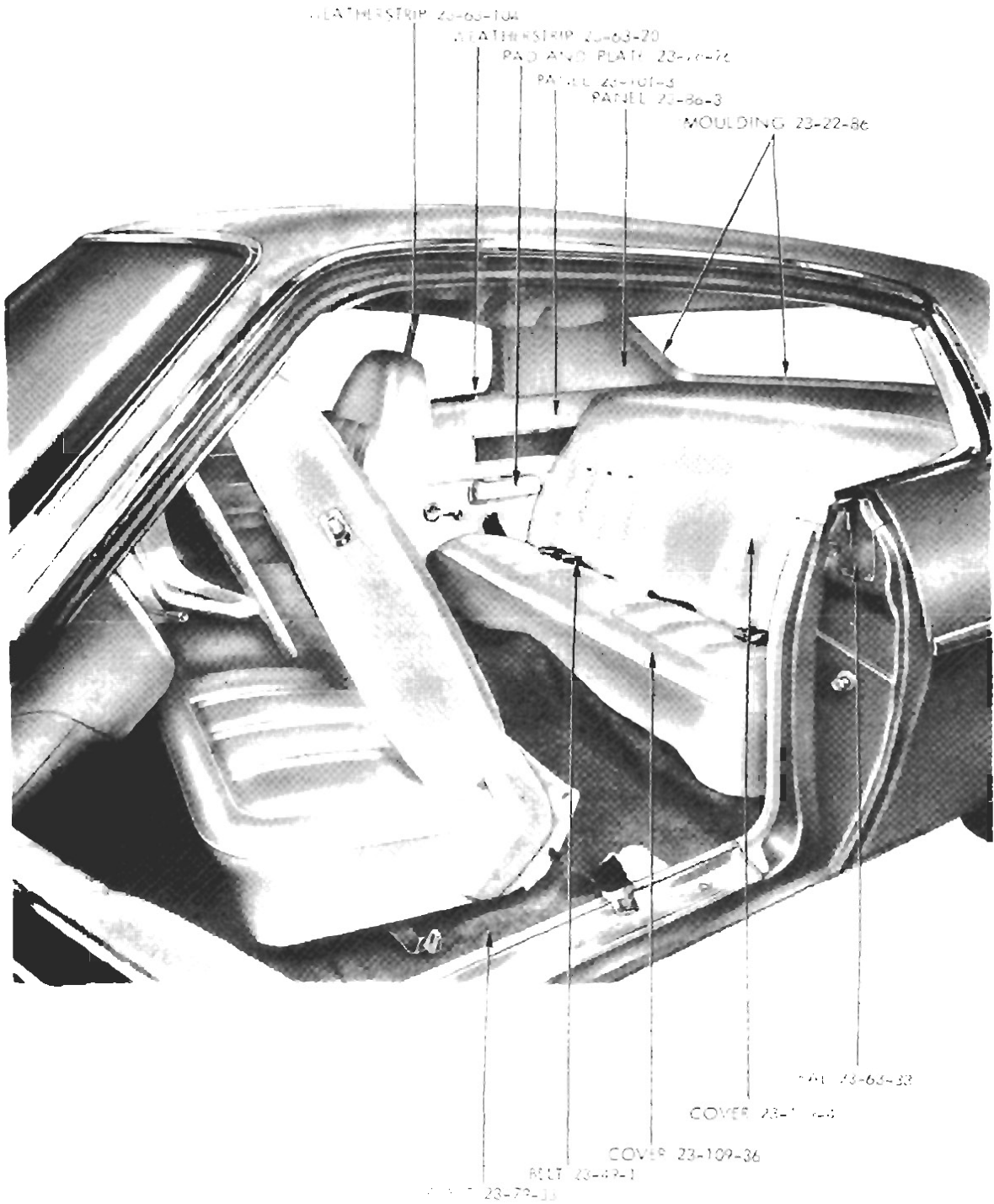
All Packages Include Attaching Parts

Part Type Code is Indicated in Parentheses



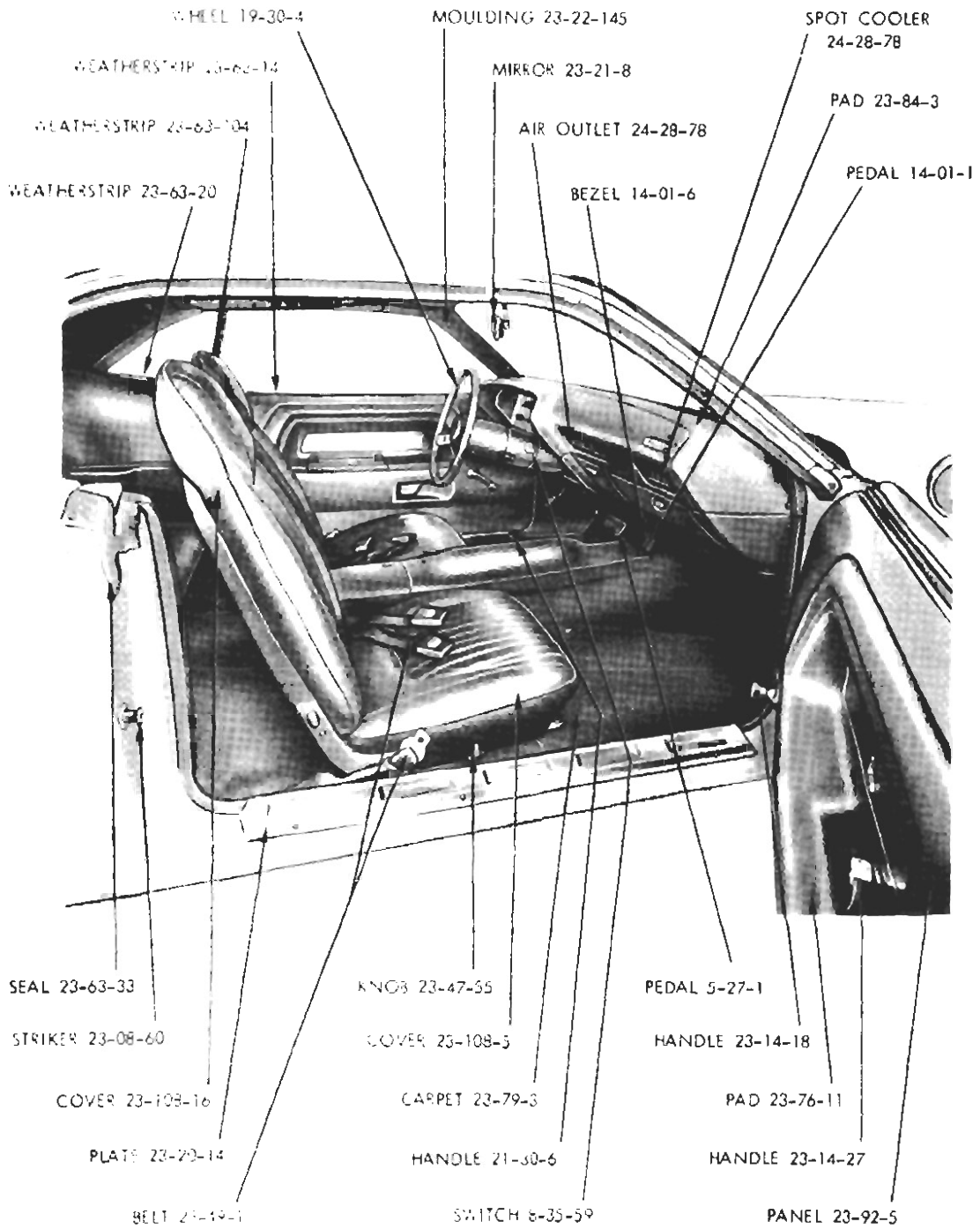
19a4012

REAR INTERIOR - BARRACUDA B-H 2 DOOR HARDTOP (TYPICAL OF B-S 2 DOOR HARDTOP)



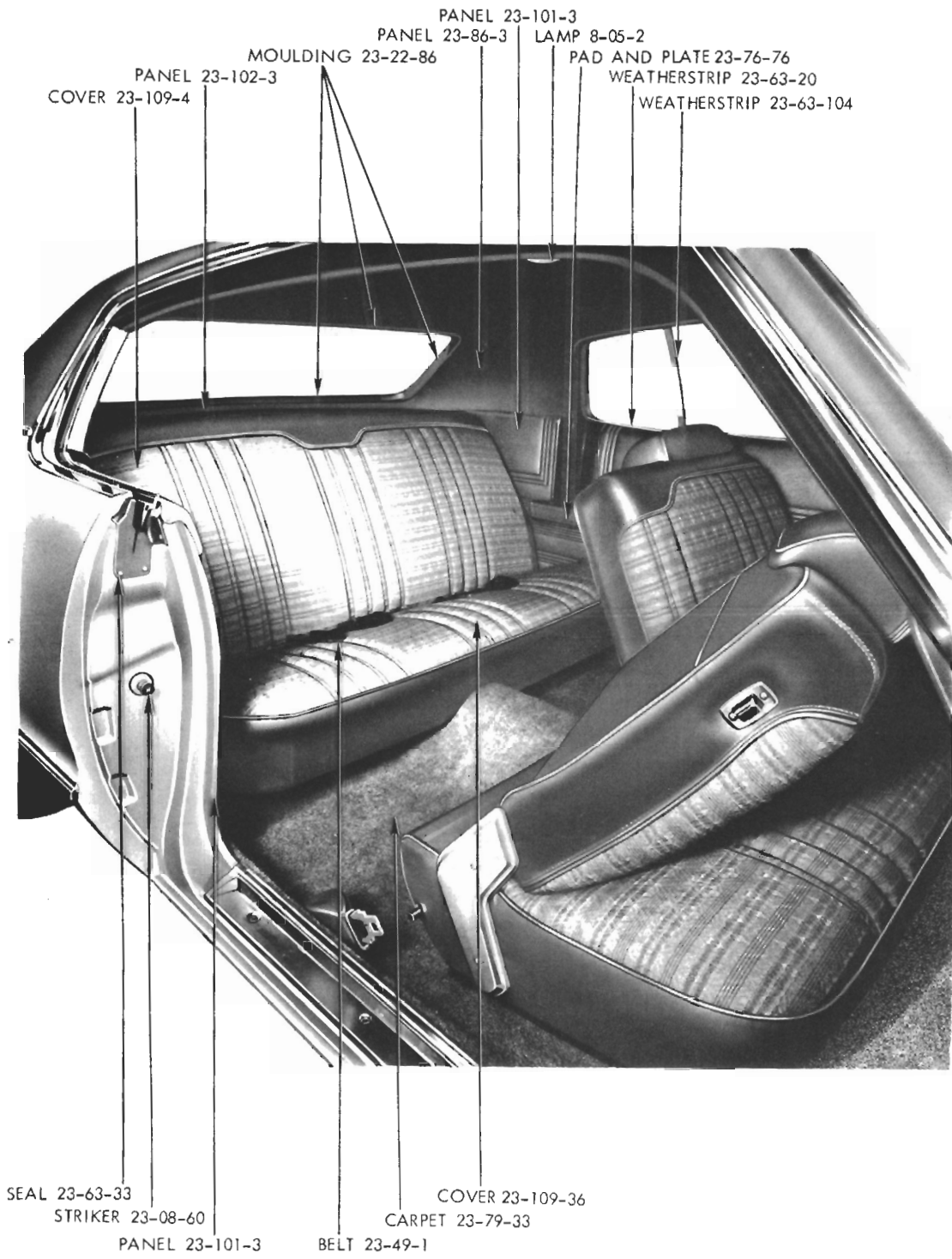
194006

REAR INTERIOR - PLYMOUTH P-P 2 DOOR HARDTOP



19a4033

FRONT INTERIOR - CHALLENGER J-H 2 DOOR HARDTOP



19a4018

REAR INTERIOR - CHRYSLER NEWPORT ROYAL C-L 2 DOOR HARDTOP

CODE	PART NAME	MODEL CODES	SEE BOTTOM NOTE								PART NUMBER
			21	23	27	29	41	43	45	46	
23-15-0 DOOR HINGE Cont'd.											
23-15-38	BUSHING Cont'd.										
	Frt., Upr.	P,D,C,Y	—	4	—	4	4	4	4	4	2486 468
	Rear, Lwr.	P,D,C,Y	—	—	—	—	4	4	4	4	2486 468
	Frt., Lwr., Body Half	P,D,C,Y	—	4	—	4	4	4	4	4	2486 468
	Rear, Upr., Body Half	V,L	—	—	—	—	4	—	—	—	2486 468
	Rear, Upr., Body Half	P,D,C,Y	—	—	—	—	4	4	4	4	2486 468
23-17-0 LOCK CYLINDER AND KEYS											
NOTE: For Glove Box see Code 23-06-28											
23-17-1	KEY BLANK, Ignition, Door	Canada	All	2	2	—	2	2	2	2	3454 327
	Deck, Glove, Console	Canada	All	2	2	—	2	2	2	—	2999 041
	Tailgate	Canada	All	—	—	—	—	—	2	2	3454 327
23-17-2	CYLINDER and KEY PACKAGE, Door and Ignition		V,L	—	1	—	1	1	—	—	3670 672
			R,W	1	1	—	1	1	—	—	3670 672
			P,D,C,Y	—	1	—	1	1	—	—	3670 672
			B,J	—	1	—	—	—	—	—	3670 673
	CYLINDER and KEY PACKAGE, Door and Ignition										
	Use W/Tilt Strg.		R,W	1	1	—	1	1	—	—	3548 955
	Use W/Tilt Strg.		P,D	—	1	—	1	1	—	—	3548 955
	Use W/Tilt and Tel. Strg.		C,Y	—	1	—	—	1	1	—	3548 955
	CYLINDER and KEY PACKAGE, Door, Ign., Glove Box, Deck Lid		R	1	1	—	—	—	—	—	3670 711
			W	1	1	—	1	—	—	—	3670 713
			R,W	—	—	—	—	1	—	—	3670 715
	Use Up To May 15, 1972		P	—	1	—	1	1	1	—	3670 719
	Use After May 15, 1972		P	—	1	—	1	1	1	—	3695 417
			D	—	1	—	—	1	1	—	3670 721
	CYLINDER and KEY PACKAGE, Door, Ign. and Tailgate, Manual										
	W/O Tilt Strg.		R,W	—	—	—	—	—	1	1	3670 674
	W/Tilt Strg.		R,W	—	—	—	—	—	1	1	3548 957
	CYLINDER and KEY PACKAGE, Door, Ign., and Tailgate, Electric										
	W/O Tilt Strg.		R,W	—	—	—	—	—	1	1	3670 675
	W/Tilt Strg.		R,W	—	—	—	—	—	1	1	3548 958
	CYLINDER and KEY PACKAGE, Door, Ign., Glove Box, Tailgate										
			R,W	—	—	—	—	—	1	1	3670 717
			P,D	—	—	—	—	—	1	1	3670 723
	CYLINDER and KEY PACKAGE, Door, Ign. Tailgate										
	W/O Tilt Strg.		P,D,C	—	—	—	—	—	1	1	3670 676
	W/Tilt and Tel. Strg.		P,D,C	—	—	—	—	—	1	1	3508 899
	WASHER, Wiper Pivot Shaft										
23-17-4	CYLINDER and KEY PACKAGE, Deck Lid and Glove Box		V,L	—	1	—	—	—	—	—	3419 955
			V,L	—	—	—	1	—	—	—	3419 954
			V	—	—	—	—	1	—	—	3419 954
			L	—	—	—	—	1	—	—	3419 955
			B	—	1	—	—	—	—	—	3419 952
			J	—	1	—	—	—	—	—	3586 374
			R	1	1	—	—	1	—	—	3620 494
			W	1	1	—	1	1	—	—	3620 494
	Use Up To May 15, 1972		P	—	1	—	1	1	—	—	3419 953
	Use After May 15, 1972		P	—	1	—	1	1	—	—	3695 413
			D	—	1	—	—	1	1	—	3670 050
			C	—	1	—	—	1	1	—	3586 353

TYPE LETTERS INDICATES:	J - Challenger B - Barracuda	V - Valiant L - Dart	R - Satellite W - Coronet	P - Plymouth D - Dodge	C - Chrysler Y - Imperial
NUMERALS INDICATE:	21 - 2 DR. SED. 23 - 2 DR. H.T.	27 - CONV. CPE. 29 - FAST BACK	41 - 4 DR. SED. 43 - 4 DR. H.T.	45 - 6 PASS. STA. WGN. 46 - 9 PASS. STA. WGN.	

AR Indicates use as required. Numerals in parentheses () refer to notes. Printed in U.S.A.
 ≠ Indicates parts not listed in any previous parts book. ★ Indicates change or addition. November 1972
 Right and left part numbers are on same line, first number is right, second number is left.

CODE	PART NAME	MODEL CODES	SEE BOTTOM NOTE								PART NUMBER
			21	23	27	29	41	43	45	46	
23-22-0 GARNISH MOULDINGS Cont'd.											
23-22-145	MOULDING Cont'd.										
	SCREW, Side	P,D,C,Y	—	4	—	4	4	4	4	4	9416 208
	SCREW, Upr.	P,D,C,Y	—	5	—	5	5	5	5	5	9414 753
23-23-0 OUTSIDE FINISH MOULDINGS AND ORNAMENTATIONS											
23-23-2	MOULDING, Body Side Sill Finish (See Exterior Ornamentation Illustrations)										
23-23-11	SPACER, Rear Wdo. Mldg. NOTE: See Code 23-23-52 SPACER, W/Shield Mldg. NOTE: See Code 23-23-65										
23-23-12	TAPE, Deck Lid or Deck Lid Finish Pnl. (See Exterior Ornamentation Illustrations) TAPE, Door and Qtr. (See Exterior Ornamentation Illustrations)										
23-23-14	MOULDING, Frt. Pillar (See Exterior Ornamentation Illustrations)										
23-23-16	PANEL, Center Pillar Upr. Finish (See Exterior Ornamentation Illustrations)										
23-23-23	MOULDING, Deck Opng. Lwr. Pnl. (See Exterior Ornamentation Illustrations)										
23-23-28	PANEL, Deck Opng. Lwr. Finish (See Exterior Ornamentation Illustrations)										
23-23-30	MOULDING, Deck Lid Finish (See Exterior Ornamentation Illustrations)										
23-23-31	MOULDING, Deck Opng. Upr. Pnl. Finish (See Exterior Ornamentation Illustrations)										
23-23-32	MOULDING, Frt. Door Outside Finish (See Exterior Ornamentation Illustrations)										
23-23-33	MOULDING, Rear Door Outside Finish (See Exterior Ornamentation Illustrations)										
23-23-39	MOULDING, Qtr. Pnl. Outside Finish (See Exterior Ornamentation Illustrations)										
23-23-42	MOULDING, Roof Panel Finish (See Exterior Ornamentation Illustrations)										
23-23-52	MOULDING PACKAGE, Rear Wdo. Outside										
	Lwr.	V,L	—	1	—	—	—	—	—	—	2807 614-5
	Upr. and Side	V,L	—	1	—	—	—	—	—	—	2807 616-7
	Lwr	V,L	—	—	—	1	—	—	—	—	3419 990-1
	Upr. and Side	V,L	—	—	—	1	—	—	—	—	3419 988-9
	Lwr.	V	—	—	—	—	1	—	—	—	2932 466-7
	Upr.	V	—	—	—	—	1	—	—	—	2932 464-5
	Upr.	L	—	—	—	—	1	—	—	—	2807 610-1
	Lwr.	L	—	—	—	—	1	—	—	—	2807 612-3
	RETAINER, Lwr.	V,L	—	AR	—	—	—	—	—	—	6002 206
	RETAINER, Upr. and Side	V,L	—	AR	—	AR	—	—	—	—	6002 615
	SCREW, Lwr.	V,L	—	—	—	AR	—	—	—	—	6024 271
	RETAINER, Upr.	V,L	—	—	—	—	AR	—	—	—	6002 263
	RETAINER, Lwr.	V,L	—	—	—	—	AR	—	—	—	6002 263
	MOULDING PACKAGE, Rear Wdo. Outside										
	Upr.	B	—	1	—	—	—	—	—	—	3419 806
	Upr. Corner	B	—	1	—	—	—	—	—	—	3419 802-3
	Side and Lwr.	B	—	1	—	—	—	—	—	—	3419 804-5
	RETAINER, Upr.	B	—	AR	—	—	—	—	—	—	6002 861
	SPACER, Upr.	B	—	AR	—	—	—	—	—	—	2840 418
	RETAINER, Upr. Corner	B	—	AR	—	—	—	—	—	—	6002 861
	SPACER, Lwr.	B	—	AR	—	—	—	—	—	—	2964 590

TYPE LETTERS Indicates	J - Challenger B - Barracuda	V - Valiant L - Dart	R - Satellite W - Coronet	P - Plymouth D - Dodge	C - Chrysler Y - Imperial
NUMERALS INDICATE:	21 - 2 DR. SED. 23 - 2 DR. H.T.	27 - CONV. CPE. 29 - FAST BACK	41 - 4 DR. SED. 43 - 4 DR. H.T.	45 - 6 PASS. STA. WGN. 46 - 9 PASS. STA. WGN.	

AR Indicates use as required. Numerals in parentheses () refer to notes. Printed in U.S.A.
 = Indicates parts not listed in any previous parts book ★ Indicates change or addition. November 1972

Right and left part numbers are on same line, first number is right, second number is left.

CODE	PART NAME	MODEL CODES	SEE BOTTOM NOTE						PART NUMBER	
			21	23	27	29	41	43		45
23-33-0 INSTRUMENT PANEL Cont'd.										
23-33-96	NAME PLATE Cont'd.									
	"Gran Coupe"	P-P	—	1	—	1	—	—	—	3590 176
	"Gran Sedan"	P-P	—	—	—	—	—	1	—	3590 178
	"Custom"	D-M	—	1	—	—	1	1	1	3590 122
	"Monaco Crest"	D-P	—	1	—	—	1	1	1	3590 180
23-33-109	PANEL, Instrument	V,L	—	1	—	1	1	—	—	2984 574
		B,J	—	1	—	—	—	—	—	2984 019
	w/Air/Cond.	R,W	1	1	—	1	1	—	1	2985 018
	w/o Air Cond.	R,W	1	1	—	1	1	—	1	2985 016
	w/A/Cond.	P,D	—	1	1	1	1	1	1	3590 090
	w/Upper Level Vent	P,D	—	1	—	1	1	1	1	3590 092
	w/o Upper Level Vent or A/Cond.	P,D	—	1	—	1	1	1	1	3590 088
	w/o A/Cond. w/o Radio or Tape	C	—	1	—	—	1	1	1	2985 122
	w/A/Cond. w/o Radio or Tape	C,Y	—	1	—	—	1	1	1	2985 128
	w/o A/Cond. w/Radio and Tape	C	—	1	—	—	1	1	1	2985 124
	w/A/Cond. w/Radio and Tape	C,Y	—	1	—	—	1	1	1	2985 126
23-33-119	SHIELD, Instrument Panel Lower w/Heater	B,J	—	1	—	—	—	—	—	4237 FX9
23-33-132	COVER, Instrument Panel Steering Column Opening									
	Blue	V,L	—	1	—	1	1	—	—	4229 HB5
	Green	V,L	—	1	—	1	1	—	—	4229 HF6
	Gold	V,L	—	1	—	1	1	—	—	4229 GY6
	Black	V,L	—	1	—	1	1	—	—	4229 FX9
	Blue	P,D	—	1	—	—	1	1	1	4278 HB8
	Green	P,D	—	1	—	—	1	1	1	4278 HF6
	Beige	P,D	—	1	—	—	1	1	1	4278 HL5
	Tan	P,D	—	1	—	—	1	1	1	4278 HT7
	Black	P,D	—	1	—	—	1	1	1	4278 HX9
	Gold	P,D	—	1	—	—	1	1	1	4278 HY6
	Lwr. Blue	C,Y	—	1	—	—	1	1	1	4275 HB8
	Green	C,Y	—	1	—	—	1	1	1	4275 HF6
	Beige	C,Y	—	1	—	—	1	1	1	4275 HL5
	Tan	C,Y	—	1	—	—	1	1	1	4275 HT7
	Black	C,Y	—	1	—	—	1	1	1	4275 GX9
	Gold	C,Y	—	1	—	—	1	1	1	4275 GY5
23-33-135	FINISH PLATE, Instrument Panel	L	—	1	—	1	1	—	—	2985 984
	w/o Heater or A/Cond., Black	R,W	1	1	—	1	1	—	1	2985 986
	w/o Heater or A/Cond., Woodgrain	R,W	—	1	—	1	1	—	1	2985 985
	w/o Heater or A/Cond. Rt.	P,D	—	1	—	1	1	1	1	3590 060
	w/o Heater or A/Cond. Center	P,D	—	1	—	1	1	1	1	3590 059
	TRIM PLATE, Instrument Panel									
	Switch Mtg. Bezel, w/o Rallye Inst. Pnl.	B,J	—	1	—	1	—	—	—	3488 408
	BEZEL, Instrument Panel Trim									
	w/Radio, w/Woodgrain	V,L	—	1	—	1	1	—	—	3501 193
	w/Heater, w/o Radio, w/Woodgrain	V,L	—	1	—	1	1	—	—	3501 568
	w/A/Cond. and Radio, w/Woodgrain	V,L	—	1	—	1	1	—	—	3501 570
	w/Heater and Radio, w/Woodgrain	V,L	—	1	—	1	1	—	—	3501 572
	w/o Heater or A/Cond.	V,L	—	1	—	1	1	—	—	2884 891
	Radio Control Opening Cover, Wood Trim	V,L	—	1	—	1	1	—	—	2884 784
	w/o Radio Openings	B,J	—	1	—	—	—	—	—	2884 877
	Inst. Panel Bezel	Y	—	1	—	—	1	—	—	2985 793
	BEZEL, Inst. Panel Heater w/Radio	P,D	—	1	—	1	1	1	1	3592 057
	w/o Radio	P,D	—	1	—	1	1	1	1	3592 056
23-33-141	BRACKET, Inst. Panel Bezel to Trim Pad Retainer Att.	Y	—	1	—	—	—	1	—	2985 109
23-33-149	PLUG, Glove Box Switch Opening	C	—	1	—	—	1	1	1	2947 226

TYPE LETTERS Indicates	J - Challenger B - Barracuda	V - Valiant L - Dart	R - Satellite W - Coronet	P - Plymouth D - Dodge	C - Chrysler Y - Imperial
NUMERALS INDICATE:	21 - 2 DR. SED. 23 - 2 DR. H.T.	27 - CONV CPE. 29 - FAST BACK	41 - 4 DR. SED. 43 - 4 DR. H.T.	45 - 6 PASS. STA. WGN. 46 - 9 PASS. STA. WGN.	

AR Indicates use as required. Numerals in parentheses () refer to notes. Printed in U.S.A.
 ≠ Indicates parts not listed in any previous parts book. ★ Indicates change or addition. November 1972
 Right and left part numbers are on same line, first number is right, second number is left.

CODE	PART NAME	MODEL CODES	SEE BOTTOM NOTE						PART NUMBER		
			21	23	27	29	41	43		45	46
23-36-0 PILLARS Cont'd.											
23-36-53 PILLARS Cont'd.											
		V,L	—	—	—	1	—	—	—	2965 620-1	
		V,L	—	1	—	—	—	—	—	2604 258-9	
		L	—	—	—	—	1	—	—	2604 260-1	
		B	—	1	—	—	—	—	—	2963 166-7	
		J	—	1	—	—	—	—	—	2963 668-9	
		R	—	—	—	—	1	—	—	3445 618-9	
		R	1	1	—	—	—	—	—	3445 614-5	
		W	1	1	—	1	—	—	—	3445 616-7	
		W	—	—	—	—	1	—	—	3445 060-1	
		P	—	1	—	1	—	—	—	3446 896-7	
		D	—	1	—	—	—	—	—	3446 900-1	
		C,Y	—	1	—	—	—	—	—	3446 802-3	
		P	—	—	—	—	1	—	—	3446 178-9	
		P	—	—	—	—	—	1	—	3446 180-1	
		D	—	—	—	—	—	1	—	3446 188-9	
		D	—	—	—	—	—	1	—	3446 186-7	
		C,Y	—	—	—	—	1	1	—	3446 650-1	
PILLAR, Quarter Panel Rear Door											
	Lwr.	P	—	—	—	—	—	1	1	3439 542-3	
	Lwr.	D	—	—	—	—	—	1	1	3439 544-5	
	Lwr.	C	—	—	—	—	—	—	1	3439 540-1	
	Lwr.	R	—	—	—	—	—	1	1	3439 536-7	
	Lwr.	W	—	—	—	—	—	1	1	3439 538-9	
	Upr. Inner	R,W	—	—	—	—	—	1	1	3439 546-7	
	Upr. Outer	R,W	—	—	—	—	—	1	1	3439 550-1	
	Upr. Inner	P,D,C	—	—	—	—	—	1	1	2893 234-5	
	Upr. Outer	P,D,C	—	—	—	—	—	1	1	2893 236-7	
PILLAR, Quarter Panel Tailgate Lock											
	Rt.	R,W	—	—	—	—	—	1	1	3482 528	
	Lt	R,W	—	—	—	—	—	1	1	2895 193	
	Lower Inner	P,D,C	—	—	—	—	—	1	1	2934 496	
EXTENSION, Body Lock Pillar to Wheelhouse											
		P,C	—	—	—	—	—	1	1	2900 550-1	
		D	—	—	—	—	1	1	1	2900 550-1	
23-36-54	TAPPING PLATE, Quarter Panel Tailgate Inner to Outer Pillar Hinge Inner Reinf.		Lwr. Lt.	R,W	—	—	—	—	2	2	3440 182
	TAPPING PLATE, Quarter Panel Roller		Lwr.	R,W,P,D,C	—	—	—	—	1	1	2860 544
23-36-58	BRACKET, Quarter Panel Wheelhouse to Rr. Door Lock Pillar Brace			R,W	—	—	—	—	1	1	3499 822-3
23-36-66	REINFORCEMENT, Body Lock Pillar			V,L	—	1	—	1	—	—	2604 850-1
	To Side Sill	B,J	—	1	—	—	—	—	—	—	3444 616-7
	To Side Sill Complete	B,J	—	1	—	—	—	—	—	—	3417 608-9
	Upr.	R	—	1	—	—	—	—	—	—	3615 046-7
	Upr.	W	1	1	—	1	—	—	—	—	3615 044-5
	To Side Sill	R,W	1	1	—	1	—	—	—	—	3445 624-5
		P,D,C,Y	—	1	—	1	—	—	—	—	3615 744-5
	To Wheelhouse Lwr.	P,D,C	—	—	—	—	—	1	1	—	2894 028-9
REINFORCEMENT, Body Lock Pillar Lock Striker											
		V,L	—	2	—	2	—	—	—	—	3615 579
		V,L	—	—	—	—	2	—	—	—	2964 648
		R,W	—	—	—	—	2	—	2	2	3440 180
		P,D,C,Y	—	2	—	2	2	2	2	2	3440 180

TYPE LETTERS Indicates	J - Challenger B - Barracuda	V - Valiant L - Dart	R - Satellite W - Coronet	P - Plymouth D - Dodge	C - Chrysler Y - Imperial
NUMERALS INDICATE:	21 - 2 DR. SED. 23 - 2 DR. H.T.	27 - CONV. CPE. 29 - FAST BACK	41 - 4 DR SED 43 - 4 DR H.T.	45 - 6 PASS. STA WGN. 46 - 9 PASS. STA WGN.	

AR Indicates use as required. Numerals in parentheses () refer to notes. Printed in U.S.A.
 = Indicates parts not listed in any previous parts book. ★ Indicates change or addition. November 1972

Right and left part numbers are on same line, first number is right, second number is left

CODE	PART NAME	MODEL CODES	SEE BOTTOM NOTE								PART NUMBER
			21	23	27	29	41	43	45	46	
23-49-0 SEAT BELTS Cont'd.											
23-49-7 BRACKET Cont'd.											
	BRACKET, Roof Side Rail Shoulder Harness Stowage										
	Up to Approximately March 1, 1972	Fr.	V,L	—	—	—	2	—	—	—	3674 157
	After Approximately March 1, 1972	Fr.	V,L	—	—	—	2	—	—	—	3720 353
	Up to Approximately March 1, 1972	Fr.	B,J	—	2	—	—	—	—	—	3674 390
	After Approximately March 1, 1972	Fr.	B,J	—	2	—	—	—	—	—	3720 352
	Up to Approximately March 1, 1972	Rr.	B,J	—	2	—	—	—	—	—	3674 157
	After Approximately March 1, 1972	Rr.	B,J	—	2	—	—	—	—	—	3720 353
	BRACKET, Qtr. Inside Panel 2nd Seat Shoulder Belt Anchor		R,W	—	—	—	—	—	2	2	2842 153
	PLATE, Clip to Roof Panel Attaching Shoulder Belt		R,W	—	—	—	—	—	4	4	3695 473
	CLIP, Front Seat Shoulder Belt Stowage										
	Up To Approximately Aug. 1, 1971	Fr.	V,L	—	2	—	2	—	—	—	3760 107
	After Approximately Aug. 1, 1971	Rr.	V,L	—	2	—	2	—	—	—	3695 012
	Up To Approximately Aug. 1, 1971	Fr.	V,L	—	—	—	2	2	—	—	3670 667
	After Approximately Aug. 1, 1971	Rr.	V,L	—	—	—	2	2	—	—	3670 531
	Up To Approximately Aug. 1, 1971	Rr.	V,L	—	—	—	2	2	—	—	3670 554
	After Approximately Aug. 1, 1971	Rr.	V,L	—	—	—	2	2	—	—	3670 663
	Up To Approximately Aug. 1, 1971	Fr.	B,J,R,W	2	2	—	2	2	—	2	3670 531
	After Approximately Aug. 1, 1971	Rr.	B,J,R,W	2	2	—	2	2	—	2	3670 554
	Up To Approximately Aug. 1, 1971	Rr.	B,J,R,W	2	2	—	2	2	—	2	3670 663
	After Approximately Aug. 1, 1971	Fr.	P,D,C,Y	—	2	—	2	2	2	2	3670 531
	Up To Approximately Aug. 1, 1971	Rr.	P,D,C,Y	—	2	—	2	2	2	2	3670 554
	After Approximately Aug. 1, 1971	Rr.	P,D,C,Y	—	2	—	2	2	2	2	3670 663
	LOOP, Front Seat Center Cushion Seat Belt Retainer										
	Up To Approximately Feb. 15, 1972										
		Blue	R,W	2	2	—	2	—	—	—	9982 H88
		Green	R,W	2	2	—	2	—	—	—	9982 HF6
		Tan	R,W	2	2	—	2	—	—	—	9982 HT5
		Gold	R,W	2	2	—	2	—	—	—	9982 HY5
		Black	R,W	2	2	—	2	—	—	—	9982 HX9
		Blue	P,D,C,Y	—	2	—	2	—	2	—	9982 H88
		Green	P,D,C,Y	—	2	—	2	—	2	—	9982 HF6
		Tan	P,D,C,Y	—	2	—	2	—	2	—	9982 HT5
		Gold	P,D,C,Y	—	2	—	2	—	2	—	9982 HY5
		Black	P,D,C,Y	—	2	—	2	—	2	—	9982 HX9
	After Approximately Feb. 15, 1972										
		Blue	R,W	2	2	—	2	—	—	—	9984 H88
		Green	R,W	2	2	—	2	—	—	—	9984 HF6
		Tan	R,W	2	2	—	2	—	—	—	9984 HT7

TYPE LETTERS Indicates	J - Challenger B - Barracuda	V - Valiant L - Dart	R - Satellite W - Coronet	P - Plymouth D - Dodge	C - Chrysler Y - Imperial
NUMERALS INDICATE:	21 - 2 DR. SED. 23 - 2 DR. H.T.	27 - CONV. CPE. 29 - FAST BACK	41 - 4 DR. SED. 43 - 4 DR. H.T.	45 - 6 PASS. STA. WGN. 46 - 9 PASS. STA. WGN.	

AR Indicates use as required. Numerals in parentheses () refer to notes. Printed in U.S.A.
 * Indicates parts not listed in any previous parts book. * Indicates change or addition. November 1972

Right and left part numbers are on same line, first number is right, second number is left.

CODE	PART NAME	MODEL CODES	SEE BOTTOM NOTE								PART NUMBER	
			21	23	27	29	41	43	45	46		
23-59-0 DRAIN TROUGH Cont'd.												
23-59-57	COVER Cont'd.	Rr.	R,W	—	—	—	—	AR	—	AR	AR	2571 768
	CAP or COVER, Roof Side Drain Trough Moulding (See Exterior Ornamentation Illustrations)											
23-59-61	MOULDING, Roof Side Drain Trough (See Exterior Ornamentation Illustrations)											
23-61-0 COWL VENT OR AIR INTAKE												
23-61-42	SEAL, Cowl Top to Hood Panel Fasteners		P,D,C	—	1	—	1	1	1	1	1	3499 208
	Up to Approximately Feb. 1, 1972		Y	—	1	—	—	—	1	—	—	3499 208
	After Approximately Feb. 1, 1972		Y	—	1	—	—	—	1	—	—	3720 293
	SEAL w/CLIPS, Cowl Top to Hood Panel		B,J,R,W	1	1	—	1	1	—	1	1	3440 865
23-61-117	SCREEN, Cowl Top Windshield Wiper Opening		B,J	—	1	—	—	—	—	—	—	3500 760-1
	SCREEN, Cowl Top Windshield Wiper Opening Screen to Cowl Top Panel		P,D,C,Y	—	1	—	1	1	1	1	1	3500 734
	SCREEN, Cowl Top Fresh Air Opening		B,J	—	10	—	—	—	—	—	—	6028 307
	SCREEN, Cowl Top Fresh Air Opening		P,D,C,Y	—	5	—	5	5	5	5	5	6028 307
	SCREEN, Cowl Top Fresh Air Opening		R,W	1	1	—	1	1	—	1	1	3500 758-9
	SCREEN, Cowl Top Fresh Air Opening		R,W	10	10	—	10	10	—	10	10	6029 230
23-61-120	HOUSING, Complete, Ventilation w/o Heater	Rt.	B,J,R,W	1	1	—	1	1	—	1	1	2607 002
23-63-0 WEATHERSTRIP												
23-63-14	WEATHERSTRIP, Wdo. Belt FRONT DOOR INNER		V,L	—	—	—	1	—	—	—	—	3439 102-3
			V,L	—	1	—	—	—	—	—	—	3440 556-7
			V,L	—	—	—	1	—	—	—	—	3440 558-9
			B,J	—	1	—	—	—	—	—	—	2879 950-1
			R	1	1	—	—	—	—	—	—	3416 198-9
			W	1	1	—	1	—	—	—	—	3416 196-7
			R,W	—	—	—	—	2	—	2	2	3416 360
	Up To Approximately Oct. 1, 1971		P,D	—	1	—	1	—	—	—	—	2878 422-3
	After Approximately Oct. 1, 1971		P,D	—	1	—	1	—	—	—	—	2878 424-5
			C,Y	—	1	—	—	—	—	—	—	2878 424-5
			P,D,Y	—	—	—	—	—	1	—	—	3509 872-3
	w/o Power Vent Wdos.		C	—	—	—	—	—	1	—	—	3509 872-3
	w/Power Vent Wdos.		C	—	—	—	—	—	1	—	—	2878 418-9
		w/o Mldg.	P,D	—	—	—	—	1	—	1	1	3509 948-9
		w/Mldg.	P,D,C	—	—	—	—	1	—	1	1	3509 866-7
	REAR DOOR INNER		V,L	—	—	—	—	2	—	—	—	2663 466
			R,W	—	—	—	—	2	—	2	2	3416 362
		w/o Mldg.	P,D	—	—	—	—	2	—	2	2	2878 528
		w/Mldg.	P,D	—	—	—	—	2	—	2	2	2878 426
			C	—	—	—	—	—	2	2	2	2878 426
			C	—	—	—	—	2	—	—	—	2878 430
			P,D	—	—	—	—	—	1	—	—	3510 176-7
			C,Y	—	—	—	—	—	1	—	—	3510 178-9
23-63-15	WEATHERSTRIP, Wdo. Belt FRONT DOOR OUTER		V,L	—	—	—	1	—	—	—	—	3439 104-5
			V,L	—	1	—	—	—	—	—	—	2860 028-9

TYPE LETTERS INDICATES:	J - Challenger B - Barracuda	V - Valiant L - Dart	R - Satellite W - Coronet	P - Plymouth D - Dodge	C - Chrysler Y - Imperial
NUMERALS INDICATE:	21 - 2 DR. SED. 23 - 2 DR. H.T.	27 - CONV. CPE. 29 - FAST BACK	41 - 4 DR. SED. 43 - 4 DR. H.T.	45 - 6 PASS. STA. WGN. 46 - 9 PASS. STA. WGN.	

AR Indicates use as required. Numerals in parentheses () refer to notes. Printed in U.S.A.
 = Indicates parts not listed in any previous parts book. ★ Indicates change or addition. November 1972

Right and left part numbers are on same line, first number is right, second number is left.

CODE	PART NAME	MODEL CODES	SEE BOTTOM NOTE								PART NUMBER
			21	23	27	29	41	43	45	46	
23-64-0 WINDOW AND VENT WING Cont'd.											
23-64-266	BUMPER Cont'd.										
	BUMPER, Front Door Outside Panel Belt Reinforcement Glass	R,W	2	2	—	2	—	—	—	3581 054	
	BUMPER, Rear Door Wdo. Glass Lift Channel	R,W	—	—	—	—	2	—	2	3440 798	
	BUMPER, Front Door Glass Track Lower Bracket	P,D,C,Y	—	2	—	2	—	—	—	2895 218	
	BUMPER, Rear Door Glass Track Lower Bracket Down Stop	P,D,C,Y	—	—	—	—	—	4	—	3440 301	
	BUMPER, Rear Door Glass Track Panel	P,D,C,Y	—	—	—	—	—	4	—	2861 758	
23-64-268	PANEL w/REINFORCEMENT, Rear Door Glass Track	P,D,C,Y	—	—	—	—	—	1	—	3417 318-9	
23-64-269	BRACKET w/ROLLER and GUIDE, Qtr. Wdo. Track	V,L	—	2	—	—	—	—	—	2520 658	
	BRACKET w/ROLLER and GUIDE, Qtr. Wdo. Front Track	P,D,C,Y	—	4	—	4	—	—	—	3454 230	
	BRACKET w/ROLLER, Door Glass Front Adjusting	V,L	—	—	—	2	—	—	—	3439 212	
	BRACKET w/ROLLER, Qtr. Wdo. Track	V,L	—	2	—	—	—	—	—	2520 659	
	BRACKET, Front Door Glass Track Lower										
	Up to Approximately April 1, 1972	P,D,C,Y	—	1	—	1	—	—	—	3582 776-7	
	After Approximately April 1, 1972	P,D,C,Y	—	1	—	1	—	—	—	3582 688-9	
	Up to Approximately April 1, 1972	P,D	—	—	—	—	1	1	1	3499 096-7	
	After Approximately April 1, 1972	P,D	—	—	—	—	1	1	1	3582 688-9	
	Up to Approximately April 1, 1972 w/o Power Vent Wdos.	C,Y	—	—	—	—	1	1	1	3499 096-7	
	After Approximately April 1, 1972 w/o Power Vent Wdos.	C,Y	—	—	—	—	1	1	1	3582 688-9	
	SUPPORT w/RETAINER, Front Door Glass Front Track Lower										
		B,J	—	2	—	—	—	—	—	3417 627	
23-64-271	PLATE, Qtr. Wdo. Roller Track Lower Support										
		R,W	—	2	—	2	—	—	—	3581 286	
23-64-272	FASTENER, Front Door Glass To Front Track										
		B,J	—	4	—	—	—	—	—	3499 812	
	FASTENER, Front Door Glass to Lift Channel										
		V,L	—	AR	—	AR	AR	—	—	2811 852	
		B,J,R,W	AR	AR	—	AR	AR	—	AR	2811 852	
		P,D,C,Y	—	AR	—	AR	AR	AR	AR	2811 852	
	FASTENER, Front Door Glass Lift										
		V,L	—	—	—	8	—	—	—	3582 304	
		B,J	—	2	—	—	—	—	—	3582 304	
		R,W	8	8	—	8	6	—	6	3582 304	
		P,D,C,Y	—	4	—	4	4	4	4	3582 304	
	FASTENER, Front Door Glass Up Stop Bracket										
		P,D,C,Y	—	—	—	—	—	2	—	3582 304	
	FASTENER, Front Door Up Stop Bracket										
		P,D,C,Y	—	—	—	—	—	AR	—	2811 852	
	FASTENER, Front Door Wdo. Glass to Support Track and Guide										
		P,D	—	4	—	4	4	4	4	3499 813	
	w/o Power Vent Wdos.	C,Y	—	4	—	—	4	4	4	3499 813	
	FASTENER, Front Door Wdo. Track Slide to Glass										
		P,D	—	4	—	4	4	4	4	3582 304	
	w/o Power Vent Wdos.	C,Y	—	4	—	—	4	4	4	3582 304	

TYPE LETTERS INDICATES:	J - Challenger B - Barracuda	V - Valiant L - Dart	R - Satellite W - Coronet	P - Plymouth D - Dodge	C - Chrysler Y - Imperial
NUMERALS INDICATE:	21 - 2 DR. SED. 23 - 2 DR. H.T.	27 - CONV. CPE. 29 - FAST BACK	41 - 4 DR. SED. 43 - 4 DR. H.T.	45 - 6 PASS. STA. WGN. 46 - 9 PASS. STA. WGN.	

AR Indicates use as required. Numerals in parentheses () refer to notes. Printed in U.S.A. November 1972
 = Indicates parts not listed in any previous parts book. ★ Indicates change or addition.
 Right and left part numbers are on same line, first number is right, second number is left.

CODE	PART NAME	MODEL CODES	SEE BOTTOM NOTE								PART NUMBER
			21	23	27	29	41	43	45	46	
23-67-0 WINDSHIELD AND TAILGATE WINDOW WIPER AND WASHER Cont'd.											
23-67-260	HOSE, W/Shield Washer Connector to Nozzle 3/16" O.D. x 127" Lgh.	All	2	2	—	2	2	2	2	2	2096 623
	HOSE, W/Shield Washer Foot Pump to Reservoir 2 Speed	V,L	—	1	—	1	1	—	—	—	3431 092
	HOSE, W/Shield Washer Reservoir to Foot Pump 7/16" O.D. x 96" Lgh. 2 Speed	V,L	—	1	—	1	1	—	—	—	2097 055
	9/32" O.D. x 90" Lgh. 2 Speed	V,L	—	1	—	1	1	—	—	—	2197 650
	HOSE, W/Shield Washer Reservoir to Connector 9/32" O.D. x 90" Lgh. Variable or 3 Speed	V,L,B,J	—	1	—	1	1	—	—	—	3431 093
	HOSE, W/Shield Washer Reservoir to Foot Pump 2 Speed	B,J	—	1	—	—	—	—	—	—	3431 092
	HOSE, W/Shield Washer Foot Pump to Connector and Reservoir 2 Speed	B,J	—	1	—	—	—	—	—	—	3431 589
	HOSE, W/Shield Washer Foot Pump to Connector 9/32" O.D. x 90" Lgh. 2 Speed	B,J	—	1	—	—	—	—	—	—	3431 093
	HOSE, W/Shield Washer Pump Variable or 3 Speed	B,J,R,W	1	1	—	1	1	—	1	1	2197 650
	HOSE W/Connector, W/Shield Washer Variable or 3 Speed	B,J	—	1	—	—	—	—	—	—	3431 598
	HOSE, Reservoir to Connector	R,W	1	1	—	1	1	—	1	1	3431 093
	HOSE w/CLIP, W/Shield Washer	R,W	1	1	—	1	1	—	1	1	3431 593
	HOSE, W/Shield Washer Reservoir to "Y" Connector 9/32" O.D. x 90" Lgh.	P,D,C,Y	—	1	—	1	1	1	1	1	2197 650
	HOSE, T/Gate Window Washer Reservoir to Nozzle 9/32" O.D. x 90" Lgh.	C	—	—	—	—	—	—	1	1	3431 093
	HOSE, T/Gate Window Washer Reservoir Filling	C	—	—	—	—	—	—	1	1	2822 277
23-67-261	"O" RING, T/Gate Filler Hose Retaining	C	—	—	—	—	—	—	1	1	3431 272
23-67-262	CONNECTOR, W/Shield Washer Hose	V,L	—	1	—	1	1	—	—	—	2258 912
		B,J	—	1	—	—	—	—	—	—	2983 077
		R,W	1	1	—	1	1	—	1	1	2983 077
	CONNECTOR, "Y" W/Shield Washer Hose	P,D,C,Y	—	1	—	1	1	1	1	1	2889 872
23-67-265	BUSHING, T/Gate Window Washer Pivot Pin	C	—	—	—	—	—	—	2	2	2857 964
	BUSHING, T/Gate Window Washer Blade Mtg. Arm	C	—	—	—	—	—	—	2	2	2822 270
	BUSHING, T/Gate Window Washer Control Arm Pin	C	—	—	—	—	—	—	1	1	3431 028
23-67-267	SUPPORT, T/Gate Reservoir Mtg.	C	—	—	—	—	—	—	1	1	2889 885
	BRACKET w/ACTUATOR, T/Gate Window Washer	C	—	—	—	—	—	—	1	1	3431 031
	SPACER, T/Gate Window Washer Mtg. Bracket	C	—	—	—	—	—	—	AR	AR	2822 993
	SPRING WASHER, Yoke Anti-Rattler	C	—	—	—	—	—	—	1	1	2580 944
	NUT, T/Gate Window Washer Pivot Pin Arm Support	C	—	—	—	—	—	—	2	2	120 376
23-67-268	U-NUT, T/Gate Window Washer Reservoir Mtg.	C	—	—	—	—	—	—	1	1	2926 937

TYPE LETTERS Indicates	J - Challenger B - Barracuda	V - Valiant L - Dart	R - Satellite W - Coronet	P - Plymouth D - Dodge	C - Chrysler Y - Imperial
NUMERALS INDICATE:	21 - 2 DR. SED. 23 - 2 DR. H.T.	27 - CONV. CPE. 29 - FAST BACK	41 - 4 DR. SED. 43 - 4 DR. H.T.	45 - 6 PASS. STA. WGN. 46 - 9 PASS. STA. WGN.	

AR Indicates use as required. Numerals in parentheses () refer to notes. Printed in U.S.A.
 † Indicates parts not listed in any previous parts book. ★ Indicates change or addition. November 1972

Right and left part numbers are on same line, first number is right, second number is left.

VALIANT

HV-L 4 DOOR SEDAN TRIM

REF.	TYPE OF MATERIAL	INCHES WIDE	PART NUMBERS AND COLORS					
			BLUE	GREEN	BLACK			
			A2B	A2F	A2X			
1	VINYL	50"	297 HB5	297 HF6	297 HX9			
2	VINYL	45"	374 HB5	374 HF6	374 HX9			
3	VINYL	54"	464 HB5	464 HF6	464 DX9			
12	VINYL	54"	367 HB5	367 HF6	367 HX9			

H-VL, H-VS 2 DOOR HT-SP. 2 DOOR HT TRIM

REF.	TYPE OF MATERIAL	INCHES WIDE	PART NUMBERS AND COLORS					
			BLUE	GREEN	BLACK			
			B1B	B1F	B1X			
1	CLOTH	62"	137 HBQ	137 HFY	137 HXW			
3	VINYL	54"	672 GB5	675 HF6	672 EX9			
4	VINYL	54"	672 GB5	673 HF6	672 EX9			

H-VL 4 DOOR SEDAN TRIM

REF.	TYPE OF MATERIAL	INCHES WIDE	PART NUMBERS AND COLORS					
			BLUE	GREEN	BLACK			
			L1B	L1F	L1X			
1	NOT SERVICED SEE PART TYPE CODE 23-108-5 AND 23-108-16, 23-109-4 AND 23-109-36							
5	VINYL	54"	587 HB5	587 HF6	464 DX9			
13	VINYL	56"	367 HB5	367 HF6	367 HX9			

H-VL, HVS 2 DOOR HT, SP 2 DOOR HT. TRIM

REF.	TYPE OF MATERIAL	INCHES WIDE	PART NUMBERS AND COLORS					
			BLUE	GREEN	BLACK	GOLD		
			D2B	D2F	D2X	D2Y		
1	NOT SERVICED SEE PART TYPE CODE 23-108-5 AND 23-108-16, 23-109-4 AND 23-109-36							
3	VINYL	54"	672 GB5	675 HF6	672 EX9	672 GY3		
4	VINYL	54"	672 GB5	673 HF6	672 EX9	672 GY3		

H-VL, H-VS, 4 DOOR SEDAN, 2 DOOR HT.-SP 2 DOOR HT. TRIM

REF.	TYPE OF MATERIAL	INCHES WIDE	PART NUMBERS AND COLORS					
			BLUE	GREEN	BLACK	GOLD	BLACK & WHITE	
			C4B	C4F	C4X	C4Y	C4XW	
1	NOT SERVICED SEE PART TYPE CODE 23-108-5 AND 23-108-16, 23-109-4 AND 23-109-36							
3	VINYL	54"	528 HB5	528 HF6	464 DX9	464 GY3	528 HW1	
4	VINYL	56"	367 HB5	367 HF6	367 HX9	367 HY3	366 HW1	

H-VL, H-VS-SP 2 DOOR HT TRIM

REF.	TYPE OF MATERIAL	INCHES WIDE	PART NUMBERS AND COLORS					
			BLACK	BLACK & WHITE				
			C6X	C6XW				
1	NOT SERVICED SEE PART TYPE CODE 23-108-5 AND 23-108-16, 23-109-4 AND 23-109-36							
3	VINYL	54"	464 DX9	528 HW1				
4	VINYL	54"	464 DX9	464 HW1				

DODGE

H-DS, H-DK, 4 DOOR SEDAN, 4 DOOR STATION WAGON 2 DOOR HT TRIM

REF.	TYPE OF MATERIAL	INCHES WIDE	PART NUMBERS AND COLORS					
			BLUE	TAN	BLACK			
			A2B	A2T	A2X			
1	VINYL	54"	294 HB2	294 HT9	294 HX9			
2	VINYL	54"	672 HB8	672 HT5	672 EX9			
3	VINYL	56"	672 GB5	673 HT5	672 EX9			
4	VINYL	48"	871 HB5	672 HT5	672 EX9			

H-DK, H-DS, 4 DOOR SEDAN, 2 DOOR HT TRIM

REF.	TYPE OF MATERIAL	INCHES WIDE	PART NUMBERS AND COLORS					
			BLUE	TAN	BLACK			
			A1B	A1T	A1X			
1	CLOTH	55"	106 HB2	106 HT9	106 HX9			
2	VINYL	54"	672 HB8	672 HT5	672 EX9			
3	VINYL	56"	672 HB8	673 HT5	672 EX9			
4	VINYL	48"	871 HB5	672 HT5	672 EX9			

H-DL, H-DK 4 DOOR SEDAN, 4 DOOR HT, 2 DOOR HT TRIM

REF.	TYPE OF MATERIAL	INCHES WIDE	PART NUMBERS AND COLORS					
			BLUE	GREEN	BLACK			
			B1B	B1F	B1X			
1	CLOTH	58"	132 HB2	132 HF3	132 HX9			
2	CLOTH	55"	118 HB2	118 HF3	118 HX9			
3	VINYL	54"	672 HB8	672 HF6	672 EX9			
4	VINYL	56"	673 HB8	673 HF6	672 EX9			

H-DS, H-DL, H-DK, 4 DOOR SEDAN, 4 DOOR HT, 2 DOOR HT, 4 DOOR STATION WAGON TRIM

REF.	TYPE OF MATERIAL	INCHES WIDE	PART NUMBERS AND COLORS					
			BLUE	GREEN	TAN	BLACK		
			B2B	B2F	B2T	B2X		
1	VINYL	55"	386 HB2	386 HF3	386 HT5	386 HX9		
2	VINYL	55"	378 HB8	678 HF6	378 HT5	378 HX9	(3RD SEAT ASSY ONLY)	
3	VINYL	54"	672 HB8	672 HF6	672 HT5	672 EX9		
4	VINYL	56"	673 HB8	672 HF6	672 HT5	672 EX9		

H-DL, H-DK, H-DS, 4 DOOR SEDAN TRIM

REF.	TYPE OF MATERIAL	INCHES WIDE	PART NUMBERS AND COLORS					
			GRAY					
			K1A					
1	CLOTH	55"	110 HA9					
3	VINYL	54"	672 EA9					
4	VINYL	54"	672 EA9					

H-DS, H-DL, H-DK, H-DT 4 DOOR SEDAN TRIM

REF.	TYPE OF MATERIAL	INCHES WIDE	PART NUMBERS AND COLORS					
			GRAY					
			K2A					
1	VINYL	50"	724 EA9					
2	VINYL	54"	672 EA9					

CODE	PART NAME	MODEL CODES	SEE BOTTOM NOTE								PART NUMBER
			21	23	27	29	41	43	45	46	
23-76-22	PANEL, Front Back Center Arm Rest Rear Cont'd.										
	E3X, LBX, J3X	C,Y	—	1	—	—	—	—	—	—	6629 HX9
	E3L, J3L	C	—	1	—	—	—	—	—	—	6629 HL3
	E3Y	C	—	1	—	—	—	—	—	—	6629 HY5
	D3B, D4B	C	—	1	—	—	1	1	1	1	6645 HB8
	D3F, D4F	C	—	1	—	—	1	1	1	1	6645 HF6
	D3L, D4L, M3L	C	—	1	—	—	1	1	—	—	6645 HL3
	D4T	C	—	—	—	—	—	—	1	1	6645 HT5
	D3X, D4X	C	—	1	—	—	1	1	1	1	6645 GX9
	D3Y, D4Y	C	—	1	—	—	1	1	—	—	6645 GY5
23-76-25	WASHER, Front Seat Center Arm Rest Hinge Assy to Support Assy	P,D,C,Y	—	2	—	—	4	4	4	4	2609 158
23-76-28	LOCK BAR, Front Seat Center Arm Rest										
	Bench Seat	V,L	—	AR	—	AR	—	—	—	—	2767 653
	Bucket Seat	R,W	—	AR	—	AR	—	—	—	—	2942 698
	Bench Seat	R,W	—	AR	—	—	AR	—	AR	AR	3520 187
	Bucket Seat	P,D,C,Y	—	AR	—	—	—	AR	AR	AR	2608 812
	Bench Seat	P,D,C,Y	—	AR	—	—	AR	AR	AR	AR	2270 102
23-76-30	HANDLE, Center Arm Rest Pull Down	Y	—	—	—	—	—	1	—	—	2608 714
23-76-34	COVER, Front Back Center Arm Rest										
	C4B, F3B, F4B	V,L	—	1	—	—	1	—	—	—	8006 HB5
	C4F, F3F, F4F	V,L	—	1	—	1	1	—	—	—	8006 HF6
	C4X, F3X, F4X	V,L	—	1	—	1	1	—	—	—	8006 HX9
	C4XW, F4XW	V,L	—	—	—	1	—	—	—	—	8006 HW1
	C4Y, F4Y	V,L	—	—	—	1	1	—	—	—	8006 HY3
	D6B, H6B	R	—	1	—	—	—	—	—	—	8034 HB5
	D6F, H6F	R	—	1	—	—	—	—	—	—	8034 HF6
	D6X, H6X	R	—	1	—	—	—	—	—	—	8034 HX9
	D6XW, H6XW	R	—	1	—	—	—	—	—	—	8034 HW1
	D6Y, H6Y	R	—	1	—	—	—	—	—	—	8034 HY3
	L3B, M4B, R4B, V3B (Up to Build Date 3-1-72)	R,W	—	1	—	—	1	—	1	1	5277 HB5
	L3F, M4F, R4F, Y3F, V3F (Up to Build Date 3-1-72)	R,W	—	1	—	—	1	—	1	1	5277 HF6
	L3X, M4X, R4X, V3X (Up to Build Date 3-1-72)	R,W	—	1	—	—	1	—	1	1	5277 HX9
	L3Y, R4Y, V3Y (Up to Build Date 3-1-72)	R	—	1	—	—	1	—	—	—	5277 HY3
	M4T, R4T (Up to Build Date 3-1-72)	W,R	—	—	—	—	1	—	1	1	5277 HT5
	V3B (Up to Build Date 1-1-72)	W	—	—	—	1	—	—	—	—	5278 HB5
	V3F (Up to Build Date 1-1-72)	W	—	—	—	1	—	—	—	—	5278 HF6
	V3X (Up to Build Date 1-1-72)	W	—	—	—	1	—	—	—	—	5278 HX9
	V3Y (Up to Build Date 1-1-72)	W	—	—	—	1	—	—	—	—	5278 HY3
	V3B (After Build Date 1-1-72 Up to Build Date 3-1-72)	W	—	—	—	1	—	—	—	—	5277 HB5
	V3F (After Build Date 1-1-72 Up to Build Date 3-1-72)	W	—	—	—	1	—	—	—	—	5277 HF6
	V3X (After Build Date 1-1-72 Up to Build Date 3-1-72)	W	—	—	—	1	—	—	—	—	5277 HX9
	V3Y (After Build Date 1-1-72 Up to Build Date 3-1-72)	W	—	—	—	1	—	—	—	—	5277 HY3
	L3B, M4B, R4B, V3B, Y3B (After Build Date 3-1-72)	R,W	—	1	—	1	1	—	1	1	5280 HB5
	L3F, M4F, R4F, Y3F, V3F (After Build Date 3-1-72)	R,W	—	1	—	1	1	—	1	1	5280 HF6
	L3X, M4X, R4X, V3X (After Build Date 3-1-72)	R,W	—	1	—	1	1	—	1	1	5280 HX9

TYPE LETTERS Indicates J - Challenger B - Barracuda V - Valiant L - Dart R - Satellite W - Coronet P - Plymouth D - Dodge C - Chrysler Y - Imperial

NUMERALS INDICATE: 21 - 2 DR. SED. 27 - CONV. CPE. 41 - 4 DR. SED. 45 - 6 PASS. STA. WGN. 23 - 2 DR. H.T. 29 - FAST BACK 43 - 4 DR. H.T. 46 - 9 PASS. STA. WGN.

AR Indicates use as required. Numerals in parentheses () refer to notes. Printed in U.S.A. # Indicates parts not listed in any previous parts book. ★ Indicates change or addition. November 1972

Right and left part numbers are on same line, first number is right, second number is left.

CODE	PART NAME	MODEL CODES	SEE BOTTOM NOTE						PART NUMBER			
			21	23	27	29	41	43		45	46	
23-79-33	CARPET, Rear Floor Cont'd.											
	A2X, B2X, C2X, E4X, G7X, M4X, R4X	P,D	—	—	—	—	—	—	1	1		1840 EX8
	S7X, S8X	C	—	—	—	—	—	—	1	1		1852 HB6
	D4B, D8B	C	—	—	—	—	—	—	1	1		1852 GF8
	D4F, D7F, D8F	C	—	—	—	—	—	—	1	1		1852 HL5
	D7L, D8L	C	—	—	—	—	—	—	1	1		1852 HT7
	D4T, D8T	C	—	—	—	—	—	—	1	1		1852 GX8
	D4X, D8X	C	—	—	—	—	—	—	1	1		
23-79-34	RETAINER, Rear Floor Carpet Ext.											
	Att. Rt.	B,J	—	1	—	1	—	—	—	—		3509 190
	Retainer, Rear Floor Well Carpet Side	P,D,C	—	—	—	—	—	—	1	1		2878 314-5
23-79-64	COVER, Spare Tire											
	A2B, G2B, W2B, Q2B, M4B	R,W	—	—	—	—	—	—	1	1		4344 HB4
	A2F, G2F, W2F, Q2F, M4F	R,W	—	—	—	—	—	—	1	1		4344 HF6
	A2T, G2T, W2T, Q2T, M4T	R,W	—	—	—	—	—	—	1	1		4344 HT7
	G2X, Q2X, M4X	R,W	—	—	—	—	—	—	1	1		4344 HX9
	B2B, C2B, E4B, M4B, R4B, D4B, D8B,	P,D,C	—	—	—	—	—	—	1	1		4152 HB8
	B2F, C2F, E4F, G8F, M4F, R4F, S8F	P,D,C	—	—	—	—	—	—	1	1		4152 HF6
	D4F, D7F, D8F	P,D,C	—	—	—	—	—	—	1	1		4152 HL2
	C2L, E4L, G8L, M4L, R4L, D7L, D8L	P,D,C	—	—	—	—	—	—	1	1		4152 HT7
	A2T, B2T, C2T, E4T, M4T, S8T, D4T, D8T	P,D,C	—	—	—	—	—	—	1	1		4152 EX9
	A2X, B2X, C2X, E4X, G7X, M4X, R4X, S7X, S8X, D4X, D8X	P,D,C	—	—	—	—	—	—	1	1		4920 GX9
	LUGGAGE COMPT., Spare Tire Cover	D,C,Y	—	1	—	—	1	1	—	—		
	Latch, Spare Tire Cover											
	A2B, G2B, W2B, Q2B, M4B	R,W	—	—	—	—	—	—	1	1		3544 HB4
	A2F, G2F, W2F, Q2F, M4F	R,W	—	—	—	—	—	—	1	1		3544 HF6
	A2T, G2T, W2T, Q2T, M4T	R,W	—	—	—	—	—	—	1	1		3544 HT7
	G2X, Q2X, M4X	R,W	—	—	—	—	—	—	1	1		3544 GX9
	Handle, Spare Tire Cover											
	All Codes	P,D,C	—	—	—	—	—	—	1	1		4183 AX9
23-79-65	BRACKET, Spare Tire Cover Latching											
	Front	P,D,C	—	—	—	—	—	—	1	1		2878 450
23-79-68	GROMMET, Spare Tire Cover											
	Latching	P,D,C	—	—	—	—	—	—	4	4		2656 731
23-79-78	BUMPER, Quarter Inside Center											
	Panel Spare Tire Cover Latching	R,W	—	—	—	—	—	—	2	2		882 875
23-81-3	HANDLE, Rear Door Pull to Rt., Taxi	R,W,P,D	—	—	—	—	1	—	—	—		3510 914
	Front and Rear Door Pull											
	E3B, E4B, F6B, G5B, G7B, E9B, H7B, H8B	P,C	—	2	—	2	4	4	4	4		4743 HB8
	V3F, E3F, E4F, F6F, G8F, G5F, E9F	W,P,C	—	2	—	2	4	4	4	4		4743 HF6
	EHF, G6F, H7F, H8F	P,C	—	2	—	2	4	4	4	4		4743 HL2
	E4L, F6L, G8L, E3L, E9L, H7L, J3L	P,C	—	2	—	2	4	4	4	4		4743 HT7
	E4T, G6T, H8T	C	—	2	—	—	4	—	—	—		4743 GW1
	F6XW, G6XW											
	V3X, E3X, E4X, F6X, G5X, G7X, E9X	W,P,C	—	2	—	2	4	4	4	4		4743 GX9
	EHX, G6X, H7X, H8X, P6XW, P5X, J3X	W	—	—	—	2	—	—	—	—		4743 HB5
	V3B	W	—	—	—	2	—	—	—	—		4743 HY4
	V3Y											
	E3Y, E4Y, G5Y, G7Y, E9Y, EHY, H7Y	P,C	—	2	—	2	4	4	—	—		4743 GY5
23-82-30	COVER, Coat Hook Outer											
	All Codes	V,L,B,J,R, W,P,D,C,Y	2	2	—	2	2	2	2	2		4121 GB6
		V,L,B,J,R, W,P,D,C,Y	2	2	—	2	2	2	2	2		4121 GF8

TYPE LETTERS INDICATES:	J - Challenger B - Barracuda	V - Valiant L - Dart	R - Satellite W - Coronet	P - Plymouth D - Dodge	C - Chrysler Y - Imperial
NUMERALS INDICATE:	21 - 2 DR. SED. 23 - 2 DR. H.T.	27 - CONV. CPE. 29 - FAST BACK	41 - 4 DR. SED. 43 - 4 DR. H.T.	45 - 6 PASS. STA. WGN. 46 - 9 PASS. STA. WGN.	

AR Indicates use as required. Numerals in parentheses () refer to notes. Printed in U.S.A.
 # Indicates parts not listed in any previous parts book. ★ Indicates change or addition. November 1972
 Right and left part numbers are on same line, first number is right, second number is left.

CODE	PART NAME	MODEL CODES	SEE BOTTOM NOTE								PART NUMBER		
			21	23	27	29	41	43	45	46			
23-86-35	MOULDING, Rear Window Headlining Trim Cont'd.												
	A1B, A2B, B1B, C1B, D4B, M1B, M4B, Q3B, S7B	P,D	—	—	—	—	1	—	—	—	—	—	3708-9 HB8
	B1F, B2F, C1F, D4F, M1F, M4F, Q3F, R4F, S7F	P,D	—	—	—	—	1	—	—	—	—	—	3708-9 HF6
	C1L, D4L, M4L, R4L, C2L, S7L	P,D	—	—	—	—	1	—	—	—	—	—	3708-9 HL2
	A1T, A2T, K1T, K2T, K5T, K6T	P,D	—	—	—	—	1	—	—	—	—	—	3708-9 HT7
	A1X, A2X, K2X, B1X, B2X, C1X, D4X, V8X, X2X,												
	K1A, K2A, K5A, K6A, M1X, M4X, Q3X, R4X,												
	S7X, C2X	P,D	—	—	—	—	1	—	—	—	—	—	3708-9 GX9
	C1Y, D4Y, M1Y, M4Y, R4Y, S7Y	P,D	—	—	—	—	1	—	—	—	—	—	3708-9 GY5
	A1B, D3B, E9B, H7B, H8B	C	—	—	—	—	1	—	—	—	—	—	3700 HB8
	A1F, B2F, D3F, D4F, D7F, E9F, EHF, H7F, H8F	C	—	—	—	—	1	—	—	—	—	—	3700 HF6
	A1L, B2L, D3L, D4L, D7L, E9L, H7L, M3L	C	—	—	—	—	1	—	—	—	—	—	3700 HL2
	H8T	C	—	—	—	—	1	—	—	—	—	—	3700 HT7
	A1X, B2X, D3X, D4X, D7X, D8X, E9X, EHX, H7X, H8X	C	—	—	—	—	1	—	—	—	—	—	3700 GX9
	A1Y, B2Y, D3Y, D4Y, E9Y, EHY, H7Y	C	—	—	—	—	1	—	—	—	—	—	3700 GY5
	A1B, D3B, E9B, H7B, H8B (UP TO BUILD DATE 3-1-72)	C	—	—	—	—	—	1	—	—	—	—	3718 HB8
	A1F, B2F, D3F, D4F, D7F, E9F, EHF, F6F, H7F, H8B (UP TO BUILD DATE 3-1-72)	C	—	—	—	—	—	1	—	—	—	—	3718 HF6
	A1L, B2L, D3L, D4L, D7L, E9L, H7L (UP TO BUILD DATE 3-1-72)	C	—	—	—	—	—	1	—	—	—	—	3718 HL2
	H8T (UP TO BUILD DATE 3-1-72)	C	—	—	—	—	—	1	—	—	—	—	3718 HT7
	A1Y, B2Y, D3Y, D4Y, D7Y, E9Y, H7Y (UP TO BUILD DATE 3-1-72)	C	—	—	—	—	—	1	—	—	—	—	3718 HY5
	F6XW (UP TO BUILD DATE 3-1-72)	C	—	—	—	—	—	1	—	—	—	—	3718 HW1
	A1X, B2X, D3X, D4X, D7X, D8X, E9X, EHX,												
	F6X, H7X, H8X (UP TO BUILD DATE 3-1-72)	C	—	—	—	—	—	1	—	—	—	—	3718 HX9
	A1B, D3B, E9B, H7B, H8B, (After Build Date 3-1-72)	Upper Lower	C C	— —	— —	— —	— —	1 1	— —	— —	— —	— —	3756 HB8 3757 HB8
	A1F, B2F, D3F, D4F, D7F, E9F, EHF, F6F, H7F, H8F, (After Build Date 3-1-72)	Upper Lower	C C	— —	— —	— —	— —	1 1	— —	— —	— —	— —	3756 HF6 3757 HF6
	A1L, B2L, D3L, D4L, D7L, E9L, M3L, H7L (After Build Date 3-1-72)	Upper Lower	C C	— —	— —	— —	— —	1 1	— —	— —	— —	— —	3756 HL2 3757 HL2
	H8T (After Build Date 3-1-72)	Upper Lower	C C	— —	— —	— —	— —	1 1	— —	— —	— —	— —	3756 HT7 3757 HT7
	F6XW (After Build Date 3-1-72)	Upper Lower	C C	— —	— —	— —	— —	1 1	— —	— —	— —	— —	3756 HW1 3757 HW1
	A1X, B2X, D3X, D4X, D7X, D8X, E9X, EHX, F6X, H7X, H8X (After Build Date 3-1-72)	Upper Lower	C C	— —	— —	— —	— —	1 1	— —	— —	— —	— —	3756 HX9 3757 HX9
	A1Y, B2Y, D3Y, D4Y, E9Y, EHY, H7Y (After Build Date 3-1-72)	Upper	C	—	—	—	—	1	—	—	—	—	3756 HY5

TYPE LETTERS INDICATES:	J - Challenger B - Barracuda	V - Valiant L - Dart	R - Satellite W - Coronet	P - Plymouth D - Dodge	C - Chrysler Y - Imperial
NUMERALS INDICATE:	21 - 2 DR. SED. 23 - 2 DR. H.T.	27 - CONV. CPE. 29 - FAST BACK	41 - 4 DR. SED. 43 - 4 DR. H.T.	45 - 6 PASS. STA. WGN. 46 - 9 PASS. STA. WGN.	

AR Indicates use as required. Numerals in parentheses () refer to notes. Printed in U.S.A.
 # Indicates parts not listed in any previous parts book. ★ Indicates change or addition. November 1972

Right and left part numbers are on same line, first number is right, second number is left.

CODE	PART NAME	MODEL CODES	SEE BOTTOM NOTE						PART NUMBER			
			21	23	27	29	41	43		45	46	
23-99-4	COVER, Lower Pillar Trim Cont'd.											
	C1L, C2L, D4L, G8L, E4L, M4L, R4L, A1L, B2L, D3L, D7L, E9L, H7L, D8L, S7L, M3L	P,D,C	—	—	—	—	1	—	1	1		2824-5 HL2
	A1T, A2T, K1T, K2T, K5T, K6T, B2T, C2T, E4T, M4T, S8T, D4T, H8T	P,D,C	—	—	—	—	1	—	1	1		2824-5 HT7
	A1X, A2X, K2X, B1X, B2X, C1X, C2X, D4X, V8X, G7X, E4X, X2X, K1A, K2A, K5A, K6A, M1X, M4X, Q3X, R4X, S7X, S8X, X2X, D3X, D7X, D8X, E9X, EHX, H7X,											
	H8X, D8X	P,D,C	—	—	—	—	1	—	1	1		2824-5 EX9
	C1Y, D4Y, G7Y, M1Y, Q3Y, M4Y, S7Y, A1Y, B2Y, D3Y, E9Y, EHY, H7Y	P,D,C	—	—	—	—	1	—	1	1		2824-5 GY5
	C1B, D4B, E4B, E3B, G7B, B1B, M1B, M4B, Q3B, S7B, A1B, D3B, E9B, H7B, H8B, PDB, RLB	P,D,C,Y	—	—	—	—	—	1	—	—		2842-3 HB8
	C1F, D4F, E4F, E3F, G7F, B1F, B2F, M1F, M4F, Q3F, R4F, S7F, A1F, D3F, D7F, E9F, EHF, F6F, H7F, H8F, PDF, RLF	P,D,C,Y	—	—	—	—	—	1	—	—		2842-3 HF6
	C1L, D4L, E4L, M4L, R4L, A1L, B2L, D3L, D7L, E9L, H7L, PDL, RLL, C2L, M3L	P,D,C,Y	—	—	—	—	—	1	—	—		2842-3 HL2
	D4T, E4T, H8T, PDT, RLT	P,C,Y	—	—	—	—	—	1	—	—		2842-3 HT7
	C1X, D4X, V8X, E4X, E3X, G7X, X2X, B1X, B2X, M1X, M4X, Q3X, R4X, S7X, A1X, D3X, D7X, D8X, E9X, EHX, F6X, PDX, RLX, C2X	P,D,C,Y	—	—	—	—	—	1	—	—		2842-3 FX9
	F6XW, RLXW	C,Y	—	—	—	—	—	1	—	—		2842-3 FW1
	C1Y, D4Y, E4Y, E3Y, G7Y, M1Y, M4Y, Q3Y, S7Y, A1Y, B2Y, D3Y, E9Y, EHY, H7Y, PDY, RLY	P,D,C,Y	—	—	—	—	—	1	—	—		2842-3 GY5
23-99-6	COVER, Body Lock Pillar Upper Trim											
	A2B, G2B, M4B, W2B, Q2B	R,W	—	—	—	—	—	—	1	1		2816-7 HB5
	A2F, G2F, M4F, W2F, Q2F	R,W	—	—	—	—	—	—	1	1		2816-7 HF6
	A2T, G2T, M4T, W2T, Q2T	R,W	—	—	—	—	—	—	1	1		2816-7 HT7
	G2X, M4X, Q2X	R,W	—	—	—	—	—	—	1	1		2816-7 GX9
	W/O AIR CONDITIONING											
	A2B, B2B, C2B, E4B, M4B, R4B, D4B, D8B	P,D,C	—	—	—	—	—	—	1	1		2840-1 HB8
	B2F, C2F, E4F, G8F, M4F, R4F, S8F, D4F, D7F, D8F	P,D,C	—	—	—	—	—	—	1	1		2840-1 HF6
	C2L, E4L, G8L, M4L, R4L, D7L, D8L	P,D,C	—	—	—	—	—	—	1	1		2840-1 HL2
	A2T, B2T, C2T, E4T, M4T, S8T, D4T, D8T	P,D,C	—	—	—	—	—	—	1	1		2840-1 HT7
	A2X, B2X, C2X, E4X, G7X, M4X, R4X, S7X, S8X, D4X, D8X	P,D,C	—	—	—	—	—	—	1	1		2840-1 HX9
23-99-9	RETAINER, Quarter Panel Tailgate											
	Pillar Front Support Trim Lt.	P,D,C	—	—	—	—	—	—	1	1		2894 854
23-99-41	COVER, Tailgate Opening Pillar Upper											
	A2B, G2B, M4B, W2B, Q2B	R,W	—	—	—	—	—	—	1	1		2802-3 HB5
	A2F, G2F, M4F, W2F, Q2F	R,W	—	—	—	—	—	—	1	1		2802-3 HF6
	A2T, G2T, M4T, W2T, Q2T	R,W	—	—	—	—	—	—	1	1		2802-3 HT7
	G2X, M4X, Q2X	R,W	—	—	—	—	—	—	1	1		2802-3 GX9
	B2B, C2B, E4B, M4B, R4B, D4B, D8B	P,D,C	—	—	—	—	—	—	1	1		2836-7 HB8

TYPE LETTERS INDICATES:	J - Challenger B - Barracuda	V - Valiant L - Dart	R - Satellite W - Coronet	P - Plymouth D - Dodge	C - Chrysler Y - Imperial
NUMERALS INDICATE:	21 - 2 DR. SED. 23 - 2 DR. H.T.	27 - CONV. CPE. 29 - FAST BACK	41 - 4 DR. SED. 43 - 4 DR. H.T.	45 - 6 PASS. STA. WGN. 46 - 9 PASS. STA. WGN.	

AR Indicates use as required. Numerals in parentheses () refer to notes. Printed in U.S.A.
 # Indicates parts not listed in any previous parts book. ★ Indicates change or addition. November 1972

Right and left part numbers are on same line, first number is right, second number is left.

CODE	PART NAME	MODEL CODES	SEE BOTTOM NOTE								PART NUMBER	
			21	23	27	29	41	43	45	46		
23-108-16	COVER, Front Back Cont'd.											
	B2F	R,W	1	1	—	—	—	—	—	—	—	7578-9 H2F
	B2X	R,W	1	1	—	—	—	—	—	—	—	7578-9 H2X
	F1B	R	—	—	—	—	1	—	—	—	—	7468 H1B
	F1F	R	—	—	—	—	1	—	—	—	—	7468 H1F
	F1X	R	—	—	—	—	1	—	—	—	—	7468 H1X
	F1Y	R	—	—	—	—	1	—	—	—	—	7468 H1Y
	F1G	R	—	—	—	—	1	—	—	—	—	7468 H1G
	G2B	R	—	—	—	—	1	—	1	1	—	7469 H2B
	G2F	R	—	—	—	—	1	—	1	1	—	7469 H2F
	G2T	R	—	—	—	—	1	—	1	1	—	7469 H2T
	G2X	R	—	—	—	—	1	—	1	1	—	7469 H2X
	G2Y	R	—	—	—	—	1	—	—	—	—	7469 H2Y
	A2B	R	—	—	—	—	1	—	1	—	—	7457 H2B
	A2F	R	—	—	—	—	1	—	1	—	—	7457 H2F
	A2T	R	—	—	—	—	1	—	1	—	—	7457 H2T
	K1T	R,W	—	—	—	—	1	—	—	—	—	7576 H1T
	K2T, T2T	R,W	—	—	—	—	1	—	—	—	—	7492 H2T
	K2X, T2X	R,W	—	—	—	—	1	—	—	—	—	7492 H2X
	E5X, P5X	W	2	2	—	2	—	—	—	—	—	7510 H5X
	E6B, P6B	W	—	2	—	2	—	—	—	—	—	7554 H6B
	E6F, P6F	W	—	2	—	2	—	—	—	—	—	7554 H6F
	E6X, P6X	W	—	2	—	2	—	—	—	—	—	7554 H6X
	E6XW, P6XW	W	—	2	—	2	—	—	—	—	—	7554 H6W
	E6Y, P6Y	W	—	2	—	2	—	—	—	—	—	7554 H6Y
	S1FW	W	—	1	—	—	—	—	—	—	—	7488-9 H1F
	S2B	W	—	1	—	1	—	—	—	—	—	7586-7 H2B
	S2F	W	—	1	—	1	—	—	—	—	—	7586-7 H2F
	S2T	W	—	1	—	1	—	—	—	—	—	7586-7 H2T
	S2X	W	—	1	—	1	—	—	—	—	—	7586-7 H2X
	S2XW	W	—	1	—	1	—	—	—	—	—	7586-7 H2W
	S2Y	W	—	1	—	1	—	—	—	—	—	7586-7 H2Y
	V3B (UP TO BUILD DATE 2-1-72)	W	—	—	—	2	—	—	—	—	—	8122 H3B
	V3F (UP TO BUILD DATE 2-1-72)	W	—	—	—	2	—	—	—	—	—	8122 H3F
	V3X (UP TO BUILD DATE 2-1-72)	W	—	—	—	2	—	—	—	—	—	8122 H3X
	V3Y (UP TO BUILD DATE 2-1-72)	W	—	—	—	2	—	—	—	—	—	8122 H3Y
	V3B (After Build Date 2-1-72)	W	—	—	—	2	—	—	—	—	—	8106 H3B
	V3F (After Build Date 2-1-72)	W	—	—	—	2	—	—	—	—	—	8106 H3F
	V3X (After Build Date 2-1-72)	W	—	—	—	2	—	—	—	—	—	8106 H3X
	V3Y (After Build Date 2-1-72)	W	—	—	—	2	—	—	—	—	—	8106 H3Y
	Q1B	W	—	—	—	—	1	—	—	—	—	7465 H1B
	Q1F	W	—	—	—	—	1	—	—	—	—	7465 H1F
	Q1X	W	—	—	—	—	1	—	—	—	—	7465 H1X
	Q1Y	W	—	—	—	—	1	—	—	—	—	7465 H1Y
	W2B	W	—	—	—	—	1	—	1	—	—	7475 H2B
	W2F	W	—	—	—	—	1	—	1	—	—	7475 H2F
	W2T	W	—	—	—	—	1	—	1	—	—	7475 H2T
	M4B, R4B	R,W	—	—	—	—	2	—	2	2	—	7532 H4B
	M4F, R4F	R,W	—	—	—	—	2	—	2	2	—	7532 H4F
	M4T, R4T	R,W	—	—	—	—	2	—	2	2	—	7532 H4T
	M4X, R4X	R,W	—	—	—	—	2	—	2	2	—	7532 H4X
	R4Y	W	—	—	—	—	2	—	—	—	—	7532 H4Y
	Q2B	W	—	—	—	—	—	—	1	1	—	7536 H2B
	Q2F	W	—	—	—	—	—	—	1	1	—	7536 H2F
	Q2T	W	—	—	—	—	—	—	1	1	—	7536 H2T
	Q2X	W	—	—	—	—	—	—	1	1	—	7536 H2X
	Y3F	W	—	—	—	—	2	—	—	—	—	7451 H3F
	C1B	P	—	1	—	1	—	—	—	—	—	7498-9 H1B
	C1F	P	—	1	—	1	—	—	—	—	—	7498-9 H1F

TYPE LETTERS Indicates	J - Challenger B - Barracuda	V - Valiant L - Dart	R - Satellite W - Coronet	P - Plymouth D - Dodge	C - Chrysler Y - Imperial
NUMERALS INDICATE:	21 - 2 DR. SED. 23 - 2 DR. H.T.	27 - CONV. CPE. 29 - FAST BACK	41 - 4 DR. SED. 43 - 4 DR. H.T.	45 - 6 PASS. STA. WGN. 46 - 9 PASS. STA. WGN.	

AR Indicates use as required. Numerals in parentheses () refer to notes. Printed in U.S.A.
 # Indicates parts not listed in any previous parts book. ★ Indicates change or addition. November 1972

Right and left part numbers are on same line, first number is right, second number is left.

CODE	PART NAME	MODEL CODES	SEE BOTTOM NOTE						PART NUMBER				
			21	23	27	29	41	43		45	46		
23-109-4	COVER, Rear Seat Back Cont'd.												
	3rd Back												
	B2B, C2B	P,D	—	—	—	—	—	—	—	—	—	1	8396 H2B
	B2F, C2F	P,D	—	—	—	—	—	—	—	—	—	1	8396 H2F
	C2L	P	—	—	—	—	—	—	—	—	—	1	8396 H2L
	B2T, C2T	P,D	—	—	—	—	—	—	—	—	—	1	8396 H2T
	B2X, C2X	P,D	—	—	—	—	—	—	—	—	—	1	8396 H2X
	A1B	D	—	1	—	—	—	—	—	—	—	—	8303 H1B
	A1T	D	—	1	—	—	—	—	—	—	—	—	8303 H1T
	A1X	D	—	1	—	—	—	—	—	—	—	—	8303 H1X
	A2B	D	—	1	—	—	—	—	—	—	—	—	8304 H2B
	A2T	D	—	1	—	—	—	—	—	—	—	—	8304 H2T
	A2X	D	—	1	—	—	—	—	—	—	—	—	8304 H2X
	M1B	D	—	1	—	—	—	—	—	—	—	—	8237 H1B
	M1F	D	—	1	—	—	—	—	—	—	—	—	8237 H1F
	M1X	D	—	1	—	—	—	—	—	—	—	—	8237 H1X
	M1Y	D	—	1	—	—	—	—	—	—	—	—	8237 H1Y
	M4B	D	—	1	—	—	—	—	—	—	—	—	8239 H4B
	M4F	D	—	1	—	—	—	—	—	—	—	—	8239 H4F
	M4L	D	—	1	—	—	—	—	—	—	—	—	8239 H4L
	M4X	D	—	1	—	—	—	—	—	—	—	—	8239 H4X
	M4Y	D	—	1	—	—	—	—	—	—	—	—	8239 H4Y
	Q3B	D	—	1	—	—	—	—	—	—	—	—	8257 H3B
	Q3F	D	—	1	—	—	—	—	—	—	—	—	8257 H3F
	Q3X	D	—	1	—	—	—	—	—	—	—	—	8257 H3X
	Q3Y	D	—	1	—	—	—	—	—	—	—	—	8257 H3Y
	A1B	D	—	—	—	—	—	1	—	—	—	—	8394 H1B
	A1T	D	—	—	—	—	—	1	—	—	—	—	8394 H1T
	A1X	D	—	—	—	—	—	1	—	—	—	—	8394 H1X
	A2B	D	—	—	—	—	—	1	—	—	—	—	8356 H2B
	A2T	D	—	—	—	—	—	1	—	—	—	—	8356 H2T
	A2X	D	—	—	—	—	—	1	—	—	—	—	8356 H2X
	K2A, K6A	D	—	—	—	—	—	1	—	—	—	—	8364 G2A
	K1A, K5A	D	—	—	—	—	—	1	—	—	—	—	8358 H1A
	B1B	D	—	—	—	—	—	1	1	—	—	—	8349 H1B
	B1F	D	—	—	—	—	—	1	1	—	—	—	8349 H1F
	B1X	D	—	—	—	—	—	1	1	—	—	—	8349 H1X
	B2F	D	—	—	—	—	—	1	1	—	—	—	8350 H2F
	B2X	D	—	—	—	—	—	1	1	—	—	—	8350 H2X
	M1B (Sample of Material Req'd.)	D	—	—	—	—	—	1	1	—	—	—	8238 H1B
	M1F (Sample of Material Req'd.)	D	—	—	—	—	—	1	1	—	—	—	8238 H1F
	M1X	D	—	—	—	—	—	1	1	—	—	—	8238 H1X
	M1Y	D	—	—	—	—	—	1	1	—	—	—	8238 H1Y
	M4B	D	—	—	—	—	—	1	1	—	—	—	8241 H4B
	M4F	D	—	—	—	—	—	1	1	—	—	—	8241 H4F
	M4L	D	—	—	—	—	—	1	1	—	—	—	8241 H4L
	M4X	D	—	—	—	—	—	1	1	—	—	—	8241 H4X
	M4Y	D	—	—	—	—	—	1	1	—	—	—	8241 H4Y
	R4F	D	—	—	—	—	—	1	1	—	—	—	7347 H4F
	R4L	D	—	—	—	—	—	1	1	—	—	—	7347 H4L
	R4X	D	—	—	—	—	—	1	1	—	—	—	7347 H4X
	Q3B	D	—	—	—	—	—	1	1	—	—	—	8258 H3B
	Q3F	D	—	—	—	—	—	1	1	—	—	—	8258 H3F
	Q3X	D	—	—	—	—	—	1	1	—	—	—	8258 H3X
	Q3Y	D	—	—	—	—	—	1	1	—	—	—	8258 H3Y
	S7B	D	—	—	—	—	—	1	1	—	—	—	8311 H7B
	S7F	D	—	—	—	—	—	1	1	—	—	—	8311 H7F
	S7X	D	—	—	—	—	—	1	1	—	—	—	8311 H7X
	S7Y	D	—	—	—	—	—	1	1	—	—	—	8311 H7Y
	S7L	D	—	—	—	—	—	1	1	—	—	—	8311 H7L

TYPE LETTERS Indicates J - Challenger V - Valiant R - Satellite P - Plymouth C - Chrysler
 B - Barracuda L - Dart W - Coronet D - Dodge Y - Imperial

NUMERALS INDICATE: 21 - 2 DR. SED. 27 - CONV. CPE. 41 - 4 DR. SED. 45 - 6 PASS. STA. WGN.
 23 - 2 DR. H.T. 29 - FAST BACK 43 - 4 DR. H.T. 46 - 9 PASS. STA. WGN.

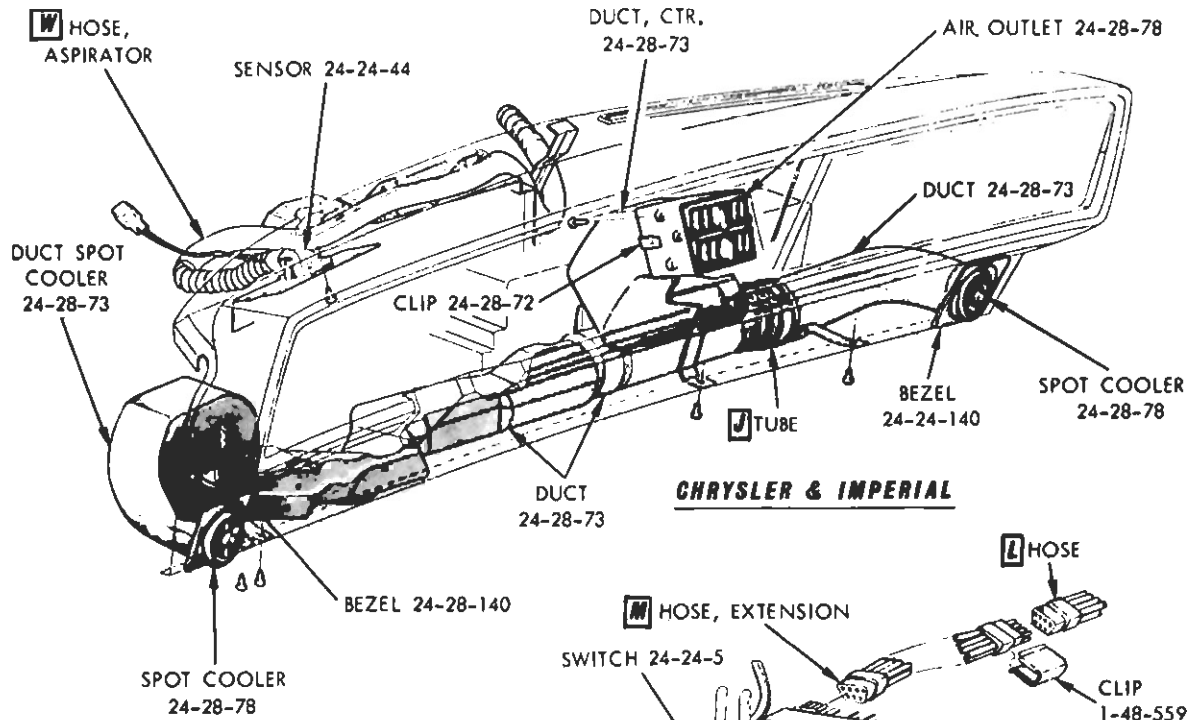
AR Indicates use as required. Numerals in parentheses () refer to notes. Printed in U.S.A.
 # Indicates parts not listed in any previous parts book ★ Indicates change or addition. November 1972

Right and left part numbers are on same line, first number is right, second number is left.

CODE	PART NAME	MODEL CODES	SEE BOTTOM NOTE						PART NUMBER			
			21	23	27	29	41	43		45	46	
23-109-36	COVER, Rear Seat Cushion Cont'd.											
	PDY	Y	—	—	—	—	—	1	—	—	—	7732 HDY
	RLB	Y	—	—	—	—	—	1	—	—	—	7677 HLB
	RLF	Y	—	—	—	—	—	1	—	—	—	7677 HLF
	RLL	Y	—	—	—	—	—	1	—	—	—	7677 HLL
	RLT	Y	—	—	—	—	—	1	—	—	—	7677 HLT
	RLX	Y	—	—	—	—	—	1	—	—	—	7677 HLX
	RLXW	Y	—	—	—	—	—	1	—	—	—	7677 HLW
	RLY	Y	—	—	—	—	—	1	—	—	—	7677 HLY
	Police Car Only											
	Rear Cushion Cover											
	Export	Blue	L	—	—	—	—	1	—	—	—	3740 068
	Export	Green	L	—	—	—	—	1	—	—	—	3740 071
	Export	Black	L	—	—	—	—	1	—	—	—	3740 078
		Blue	P	—	—	—	—	1	—	—	—	3571 798
		Green	P	—	—	—	—	1	—	—	—	3571 791
		Black	P	—	—	—	—	1	—	—	—	3571 791
		Parchment	P	—	—	—	—	1	—	—	—	3571 794
		Gold	P	—	—	—	—	1	—	—	—	3571 785
	2nd Cushion											
		Michigan Blue	P	—	—	—	—	—	1	—	—	3571 985
		Blue	P,D	—	—	—	—	—	1	—	—	3571 891
		Tan	P,D	—	—	—	—	—	1	—	—	3571 893
		Black	P,D	—	—	—	—	—	1	—	—	3571 895
	Philadelphia	Black	PD	—	—	—	—	—	1	1	—	3740 122
23-109-38	RETAINER, Center & Rear & 2nd & 3rd											
	Seat Cushion		All	2	2	—	2	2	2	2	2	3446 302
23-113-2	WEATHERCORD, Door (Order By Inches)											
	All Codes		V,L	—	AR	—	AR	AR	—	—	—	1548 HB5
			V,L	—	AR	—	AR	AR	—	—	—	1548 HF6
			V,L	—	AR	—	AR	AR	—	—	—	1548 EX9
			V,L	—	AR	—	AR	AR	—	—	—	1548 GY4
23-113-3	COVER, Pinch Weld											
	Door Lock Pillar											
	B2B, C2B, D6B, F1B, H6B, L3B, E6B,											
	S2B, V3B, P6B	R,W		2	2	—	2	—	—	—	—	1532 HB5
	B2F, C2F, D6F, F1F, H6F, L3F, E6F,											
	S2F, V3F, P6F	R,W		2	2	—	2	—	—	—	—	1532 HF6
	C2T, S2T	R,W		—	2	—	2	—	—	—	—	1532 HT7
	B2X, C2X, D6X, F1X, H6X, L3X, E6X											
	S2X, V3X, P6X, E5X, P5X	R,W		2	2	—	2	—	—	—	—	1532 GX9
	C2XW, D6XW, H6XW, F6XW, S2XW,											
	C1FW, S1FW, P6XW	R,W		—	2	—	2	—	—	—	—	1532 GW1
	C2Y, D6Y, F1Y, H6Y, L3Y, E6Y, S2Y,											
	V3Y, P6Y	R,W		—	2	—	2	—	—	—	—	1532 GY4
	Front Door											
	A2B, F1B, G2B, L3B, M4B, W2B,											
	Q1B, Q2B, R4B, Y3B	R,W		—	—	—	—	1	—	1	1	1546-7 HB5
	A2F, F1F, G2F, L3F, M4F, W2F, Q1F,											
	Q2F, R4F, F1G, Y3F	R,W		—	—	—	—	1	—	1	1	1546-7 HF6
	A2T, K1T, K2T, T2T, G2T, M4T, W2T,											
	Q2T											
	R4T	R,W		—	—	—	—	1	—	1	1	1546-7 HT7
	K2X, T2X, F1X, G2X, M4X, Q1X, Q2X,											
	R4X	R,W		—	—	—	—	1	—	1	1	1546-7 GX9
	F1Y, G2Y, L3Y, Q1Y, R4Y, Y3Y	R,W		—	—	—	—	1	—	—	—	1546-7 GY4
	Rear Door											
	A2B, F1B, G2B, L3B, W2B, Q1B, R4B,											
	Y3B	R,W		—	—	—	—	1	—	—	—	1522-3 HB5

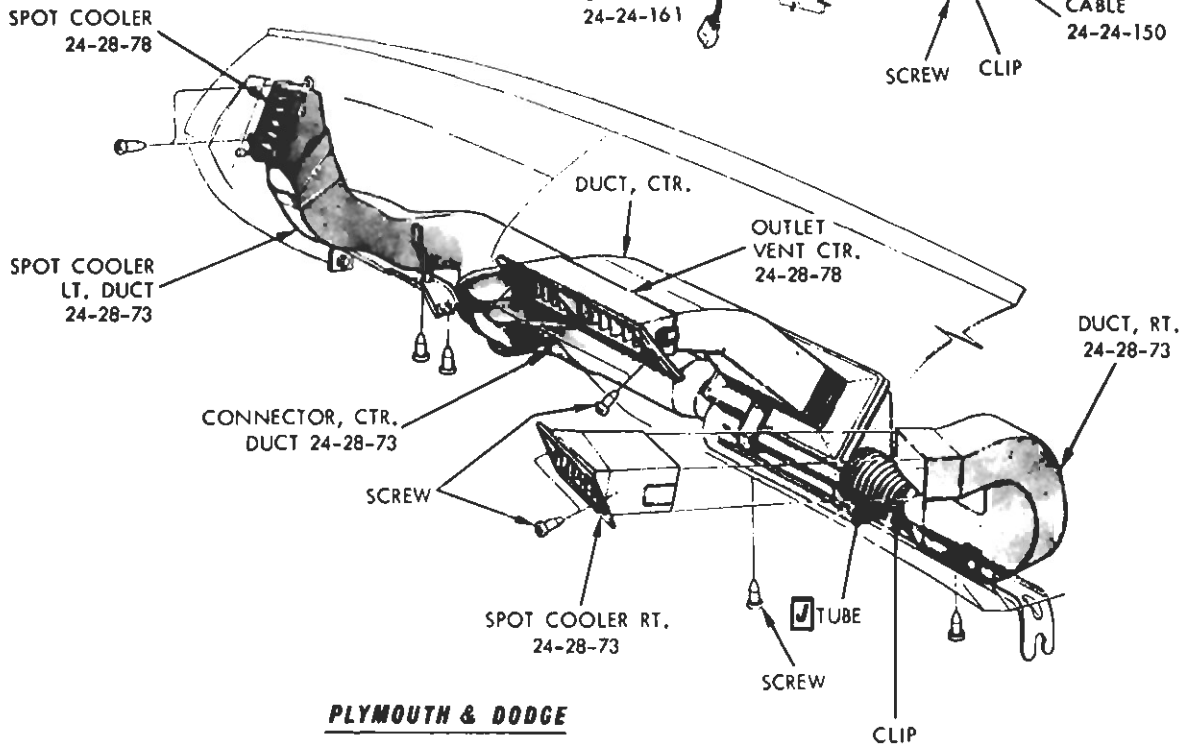
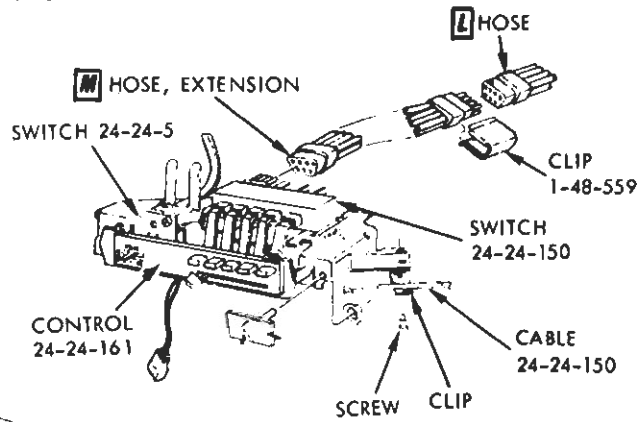
TYPE LETTERS Indicates	J - Challenger B - Barracuda	V - Valiant L - Dart	R - Satellite W - Coronet	P - Plymouth D - Dodge	C - Chrysler Y - Imperial
NUMERALS INDICATE:	21 - 2 DR. SED. 23 - 2 DR. H.T.	27 - CONV. CPE. 29 - FAST BACK	41 - 4 DR. SED. 43 - 4 DR. H.T.	45 - 6 PASS. STA. WGN. 46 - 9 PASS. STA. WGN.	

AR Indicates use as required. Numerals in parentheses () refer to notes. Printed in U.S.A.
 = Indicates parts not listed in any previous parts book. ★ Indicates change or addition. November 1972
 Right and left part numbers are on same line, first number is right, second number is left.



CHRYSLER & IMPERIAL

NOTE: BOX WITH ALPHA LETTER REFER TO HOSE CHART



PLYMOUTH & DODGE

19a3910 A

DUCTS, SPOT COOLERS AND AIR OUTLETS - P, D, C, Y

CLICK HERE TO **DOWNLOAD** THE COMPLETE MANUAL

- Thank you very much for reading the preview of the manual.
- You can download the complete manual from: www.heydownloads.com by clicking the link below



- Please note: If there is no response to CLICKING the link, please download this PDF first and then click on it.

CLICK HERE TO **DOWNLOAD** THE COMPLETE MANUAL