

Instructions for Parts Books

The heading at the top of the page will be the same for the picture of the parts as it is for the page with the part numbers.

Definition of column headings on part number pages:

REF.No → The number referring to the part on the picture page of the parts book.

Part No. → The number assigned to this part at the time of printing the parts book.

Description → Description of part.

Q'ty → Quantity of part used on that page.

S.No. → Serial number range of the equipment that this part will fit.

>= Your serial number should be greater than or equal to the number shown.

<= Your serial number should be lesser than or equal to the serial number shown.

I/C → Interchangeability of part shown.

↔ The part shown will work for the older and later serial number.

The part shown is not interchangeable with the other serial number.

← new for old

→ old for new

Remarks → Notes about this particular part. Sometimes this may say except [FR] or [CA]

Note about Country Codes:

The parts books we use in the United States of America may also contain information about a part that would be different in another country. It is important that you are aware of the country codes in some instances.

| Symbol | Country |
|--------|--------------------------|
| A | United States of America |
| CA | Canada |
| FR | France |
| GR | Greece |
| PO | Portugal |
| AU | Australia |

If the remarks column says for example EXCEPT [FR] this part works in all countries except France. That means it will work here in the USA.

CLICK HERE TO **DOWNLOAD** THE COMPLETE MANUAL

- Thank you very much for reading the preview of the manual.
- You can download the complete manual from: www.heydownloads.com by clicking the link below



- Please note: If there is no response to CLICKING the link, please download this PDF first and then click on it.

CLICK HERE TO **DOWNLOAD** THE COMPLETE MANUAL

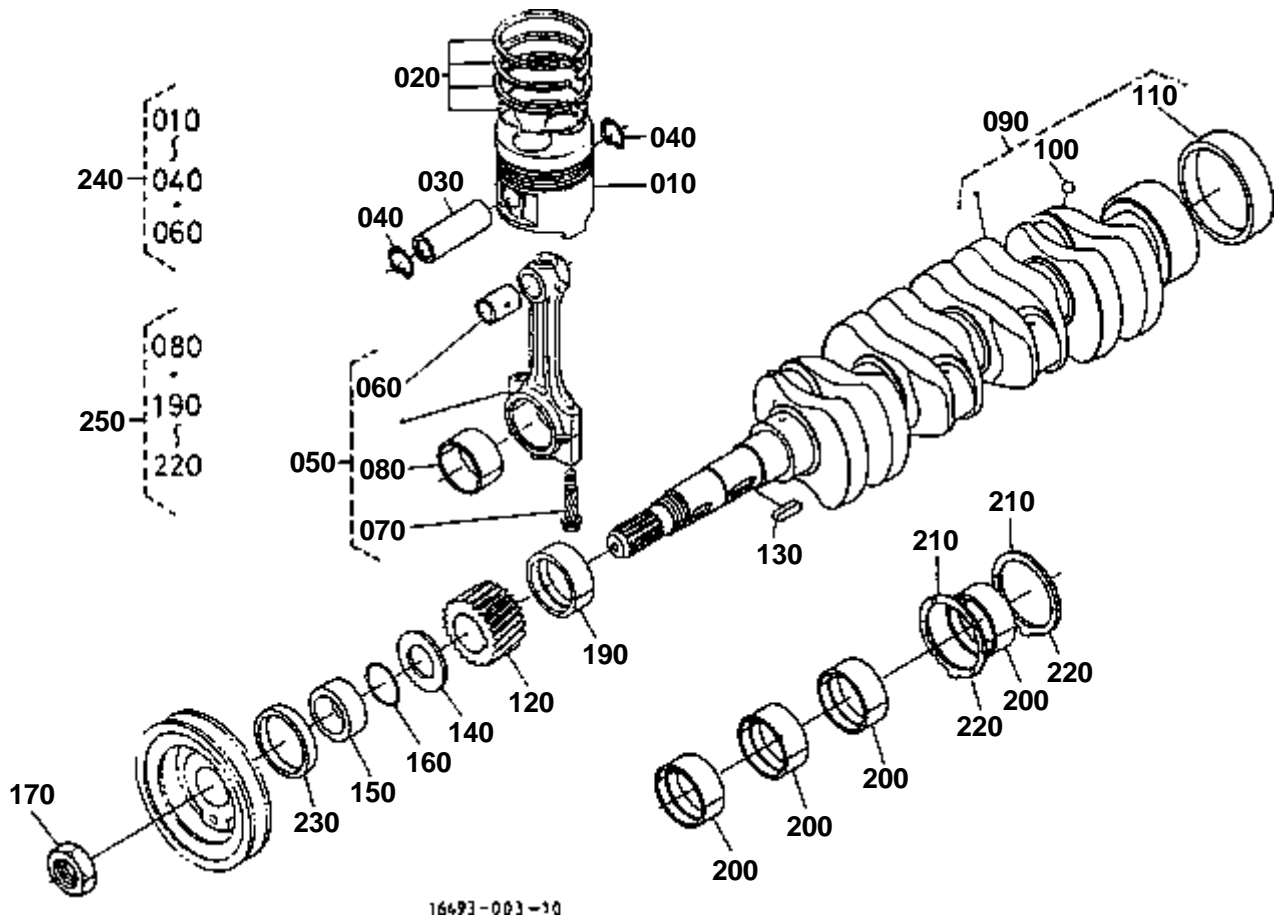


CYLINDER HEAD

↔ Interchangeable; ≠ not interchangeable; ← new for old; → old for new

| REF.No | Part No. | Description | Q'ty | S.No. | I/C | REMARKS | Weight (kgf) | Weight (lb) |
|--------|-------------|----------------------|------|-------|-----|---------|--------------|-------------|
| 010 | 09980-10075 | CAP PROTECTOR | 1 | | | | 0.001 | 0.0022 |
| 020 | 15221-01750 | HOOK ENGINE | 1 | | | | 0.04 | 0.088 |
| 030 | 99999-99999 | BLANK | 0 | | | | 0 | 0 |
| 040 | 15471-91530 | STUD | 2 | | | | 0.01 | 0.022 |
| 050 | 02156-50080 | NUT | 2 | | | | 0.004 | 0.0088 |
| 060 | 04512-60080 | WASHER SPRING | 2 | | | | 0.002 | 0.0044 |
| 070 | 04012-50080 | WASHER PLAIN | 1 | | | | 0.001 | 0.0022 |
| 080 | 16429-03040 | COMP.CYLINDER HEAD | 1 | | | | 19.1 | 42.02 |
| 090 | 15221-03370 | CAP SEALING | 12 | | | | 0.01 | 0.022 |
| 100 | 15221-03490 | CAP SEALING | 1 | | | | 0.02 | 0.044 |
| 110 | 15261-96010 | PLUG | 2 | | | | 0.002 | 0.0044 |
| 120 | 17321-13580 | GUIDE INLET VALVE | 4 | | | | 0.015 | 0.033 |
| 130 | 17321-13560 | GUIDE EXHAUST VALVE | 4 | | | | 0.02 | 0.044 |
| 140 | 16415-13620 | SEAT INLET VALVE | 4 | | | | 0.01 | 0.022 |
| 150 | 16415-13612 | SEAT EXHAUST VALVE | 4 | | | | 0.01 | 0.022 |
| 160 | 19013-03450 | BOLT CYLINDER HEAD | 18 | | | | 0.077 | 0.1694 |
| 170 | 19077-03310 | GASKET CYLINDER HEAD | 1 | | | | 0.13 | 0.286 |

PISTON AND CRANKSHAFT



16693-003-10

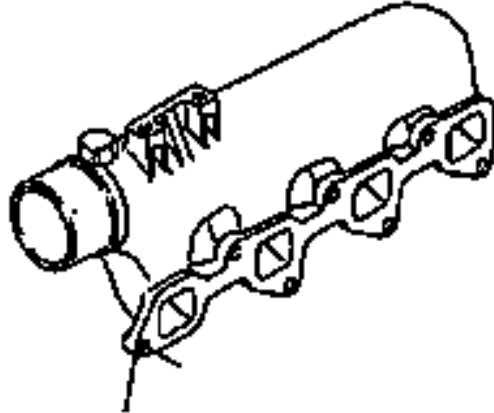


NOZZLE HOLDER [COMPONENT PARTS]

↔ Interchangeable; ≠ not interchangeable; ← new for old; → old for new

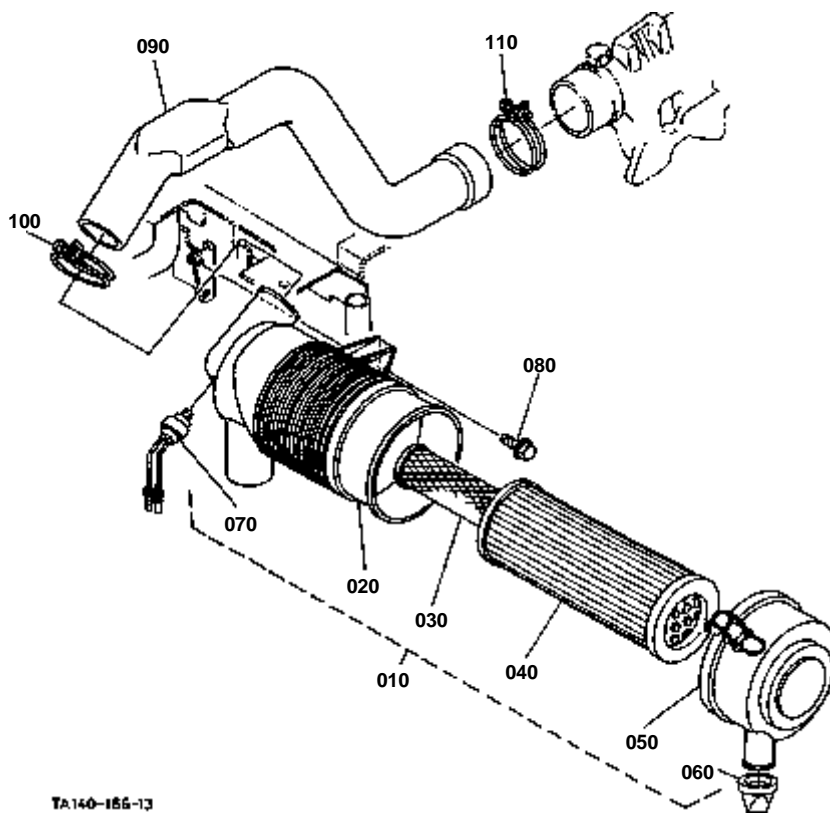
| REF.No | Part No. | Description | Q'ty | S.No. | I/C | REMARKS | Weight (kgf) | Weight (lb) |
|--------|-------------|--------------------|------|-------|-----|---------|--------------|-------------|
| 010 | 16454-53900 | KIT HOLDER NOZZLE | 4 | | | | 0.14 | 0.308 |
| 020 | 15841-92030 | NUT | 4 | | | | 0.005 | 0.011 |
| 030 | 15841-53230 | WASHER ADJUSTING | 4 | | | | 0.001 | 0.0022 |
| 040 | 16475-53170 | SPRING NOZZLE | 4 | | | | 0.005 | 0.011 |
| 050 | 15841-53350 | PIECE DISTANCE | 4 | | | | 0.004 | 0.0088 |
| 060 | 15841-53160 | PUSH ROD | 4 | | | | 0.001 | 0.0022 |
| 070 | 16475-53280 | NUT NOZZLE | 4 | | | | 0.03 | 0.066 |
| 080 | 15841-94040 | WASHER | 4 | | | | 0.001 | 0.0022 |
| 090 | 16454-53610 | PIECE NOZZLE | 4 | | | | 0.024 | 0.0528 |
| 100 | 15841-98100 | ASSY WASHER ADJUST | 4 | | | OPTION | 0.043 | 0.0946 |
| 110 | 15841-53230 | WASHER ADJUSTING | 4 | | | 0.900mm | 0.001 | 0.0022 |
| 110 | 15841-98510 | WASHER ADJUSTING | 4 | | | 0.925mm | 0.001 | 0.0022 |
| 110 | 15841-98520 | WASHER ADJUSTING | 4 | | | 0.950mm | 0.001 | 0.0022 |
| 110 | 15841-98530 | WASHER ADJUSTING | 4 | | | 0.975mm | 0.001 | 0.0022 |
| 110 | 15841-98540 | WASHER ADJUSTING | 4 | | | 1.000mm | 0.001 | 0.0022 |
| 110 | 15841-98550 | WASHER ADJUSTING | 4 | | | 1.025mm | 0.001 | 0.0022 |
| 110 | 15841-98560 | WASHER ADJUSTING | 4 | | | 1.050mm | 0.001 | 0.0022 |
| 110 | 15841-98570 | WASHER ADJUSTING | 4 | | | 1.075mm | 0.001 | 0.0022 |
| 110 | 15841-98580 | WASHER ADJUSTING | 4 | | | 1.100mm | 0.001 | 0.0022 |
| 110 | 15841-98590 | WASHER ADJUSTING | 4 | | | 1.125mm | 0.001 | 0.0022 |
| 110 | 15841-98600 | WASHER ADJUSTING | 4 | | | 1.150mm | 0.001 | 0.0022 |
| 110 | 15841-98610 | WASHER ADJUSTING | 4 | | | 1.175mm | 0.001 | 0.0022 |
| 110 | 15841-98620 | WASHER ADJUSTING | 4 | | | 1.200mm | 0.001 | 0.0022 |
| 110 | 15841-98630 | WASHER ADJUSTING | 4 | | | 1.225mm | 0.001 | 0.0022 |
| 110 | 15841-98640 | WASHER ADJUSTING | 4 | | | 1.250mm | 0.001 | 0.0022 |
| 110 | 15841-98650 | WASHER ADJUSTING | 4 | | | 1.275mm | 0.001 | 0.0022 |
| 110 | 15841-98660 | WASHER ADJUSTING | 4 | | | 1.300mm | 0.001 | 0.0022 |
| 110 | 15841-98670 | WASHER ADJUSTING | 4 | | | 1.325mm | 0.001 | 0.0022 |
| 110 | 15841-98680 | WASHER ADJUSTING | 4 | | | 1.350mm | 0.001 | 0.0022 |
| 110 | 15841-98690 | WASHER ADJUSTING | 4 | | | 1.375mm | 0.001 | 0.0022 |
| 110 | 15841-98700 | WASHER ADJUSTING | 4 | | | 1.400mm | 0.001 | 0.0022 |
| 110 | 15841-98710 | WASHER ADJUSTING | 4 | | | 1.425mm | 0.001 | 0.0022 |
| 110 | 15841-98720 | WASHER ADJUSTING | 4 | | | 1.450mm | 0.001 | 0.0022 |
| 110 | 15841-98730 | WASHER ADJUSTING | 4 | | | 1.475mm | 0.001 | 0.0022 |
| 110 | 15841-98740 | WASHER ADJUSTING | 4 | | | 1.500mm | 0.001 | 0.0022 |
| 110 | 15841-98750 | WASHER ADJUSTING | 4 | | | 1.525mm | 0.001 | 0.0022 |
| 110 | 15841-98760 | WASHER ADJUSTING | 4 | | | 1.550mm | 0.001 | 0.0022 |
| 110 | 15841-98770 | WASHER ADJUSTING | 4 | | | 1.575mm | 0.001 | 0.0022 |
| 110 | 15841-98780 | WASHER ADJUSTING | 4 | | | 1.600mm | 0.002 | 0.0044 |
| 110 | 15841-98790 | WASHER ADJUSTING | 4 | | | 1.625mm | 0.001 | 0.0022 |
| 110 | 15841-98800 | WASHER ADJUSTING | 4 | | | 1.650mm | 0.001 | 0.0022 |
| 110 | 15841-98810 | WASHER ADJUSTING | 4 | | | 1.675mm | 0.004 | 0.0088 |
| 110 | 15841-98820 | WASHER ADJUSTING | 4 | | | 1.700mm | 0.001 | 0.0022 |
| 110 | 15841-98830 | WASHER ADJUSTING | 4 | | | 1.725mm | 0.001 | 0.0022 |
| 110 | 15841-98840 | WASHER ADJUSTING | 4 | | | 1.750mm | 0.001 | 0.0022 |
| 110 | 15841-98850 | WASHER ADJUSTING | 4 | | | 1.775mm | 0.001 | 0.0022 |
| 110 | 15841-98860 | WASHER ADJUSTING | 4 | | | 1.800mm | 0.001 | 0.0022 |
| 110 | 15841-98870 | WASHER ADJUSTING | 4 | | | 1.825mm | 0.001 | 0.0022 |
| 110 | 15841-98880 | WASHER ADJUSTING | 4 | | | 1.850mm | 0.001 | 0.0022 |
| 110 | 15841-98890 | WASHER ADJUSTING | 4 | | | 1.875mm | 0.001 | 0.0022 |
| 110 | 15841-98900 | WASHER ADJUSTING | 4 | | | 1.900mm | 0.001 | 0.0022 |
| 110 | 15841-98910 | WASHER ADJUSTING | 4 | | | 1.925mm | 0.001 | 0.0022 |
| 110 | 15841-98920 | WASHER ADJUSTING | 4 | | | 1.950mm | 0.001 | 0.0022 |
| 120 | 15841-53622 | GASKET | 4 | | | | 0.002 | 0.0044 |
| 130 | 19077-53650 | SEAL HEAT | 4 | | | | 0.005 | 0.011 |

010 16475-1176-0



010

16493-808-10



TA140-186-13

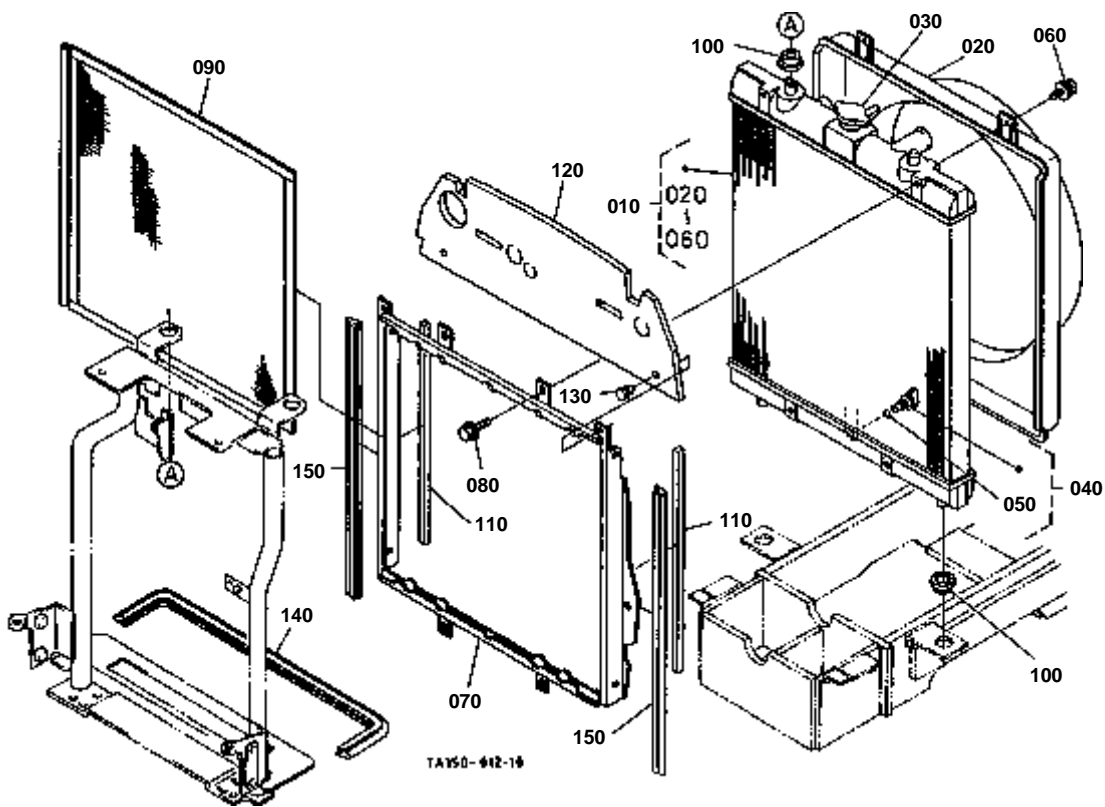


FUEL TANK [ROPS TYPE]

↔ Interchangeable; ≠ not interchangeable; ← new for old; → old for new

| REF.No | Part No. | Description | Q'ty | S.No. | I/C | REMARKS | Weight (kgf) | Weight (lb) |
|--------|-------------|--------------------|------|---------|-----|------------------------------|--------------|-------------|
| 005 | TA040-94400 | KIT FUEL TANK | 1 | <=72028 | | | 0 | 0 |
| 010 | TA040-42004 | ASSY TANK FUEL | 1 | <=71974 | | NOT SALE ORDER BY REF.No.005 | 7 | 15.4 |
| 010 | TA040-42005 | ASSY TANK FUEL | 1 | >=71975 | ← | NOT SALE ORDER BY REF.No.005 | 7 | 15.4 |
| 010 | TA040-42006 | ASSY TANK FUEL | 1 | >=72023 | ← | NOT SALE ORDER BY REF.No.005 | 7 | 15.4 |
| 010 | TA040-42007 | ASSY TANK FUEL | 1 | >=72029 | ← | NOT SALE ORDER BY REF.No.005 | 7 | 15.4 |
| 020 | 61191-54720 | ASSY CAP FUEL TANK | 1 | | | | 0.09 | 0.198 |
| 030 | 61191-54740 | GASKET TANK CAP | 1 | | | | 0.01 | 0.022 |
| 040 | 31351-13820 | CUSHION BATTERY | 1 | | | | 0.015 | 0.033 |
| 050 | 01754-50816 | BOLT FLANGE | 2 | | | | 0.011 | 0.0242 |
| 060 | 04015-60080 | WASHER PLAIN | 2 | | | | 0.01 | 0.022 |
| 070 | 04011-50140 | WASHER PLAIN | 2 | | | | 0.007 | 0.0154 |
| 080 | 34070-42060 | CUSHION | 2 | | | | 0.005 | 0.011 |
| 090 | 34070-42070 | SPACER | 2 | | | | 0.07 | 0.154 |
| 100 | 01123-50875 | BOLT | 2 | | | | 0.04 | 0.088 |
| 110 | T0070-42513 | SHUTTER | 1 | | | | 0.03 | 0.066 |
| 120 | T0070-42523 | SHUTTER | 1 | | | | 0.019 | 0.0418 |
| 130 | T0070-42532 | SHUTTER | 1 | | | | 0.015 | 0.033 |
| 140 | T0120-42150 | PLATE FUEL TANK | 1 | | | | 0.08 | 0.176 |
| 150 | 34070-42115 | PLATE SHUTTER | 1 | <=72028 | | NOT SALE ORDER BY REF.No.005 | 3 | 6.6 |
| 150 | 34070-42116 | PLATE SHUTTER | 1 | >=72029 | ← | | 0 | 0 |
| 160 | 34070-42260 | CUSHION | 4 | | | | 0.005 | 0.011 |

RADIATOR

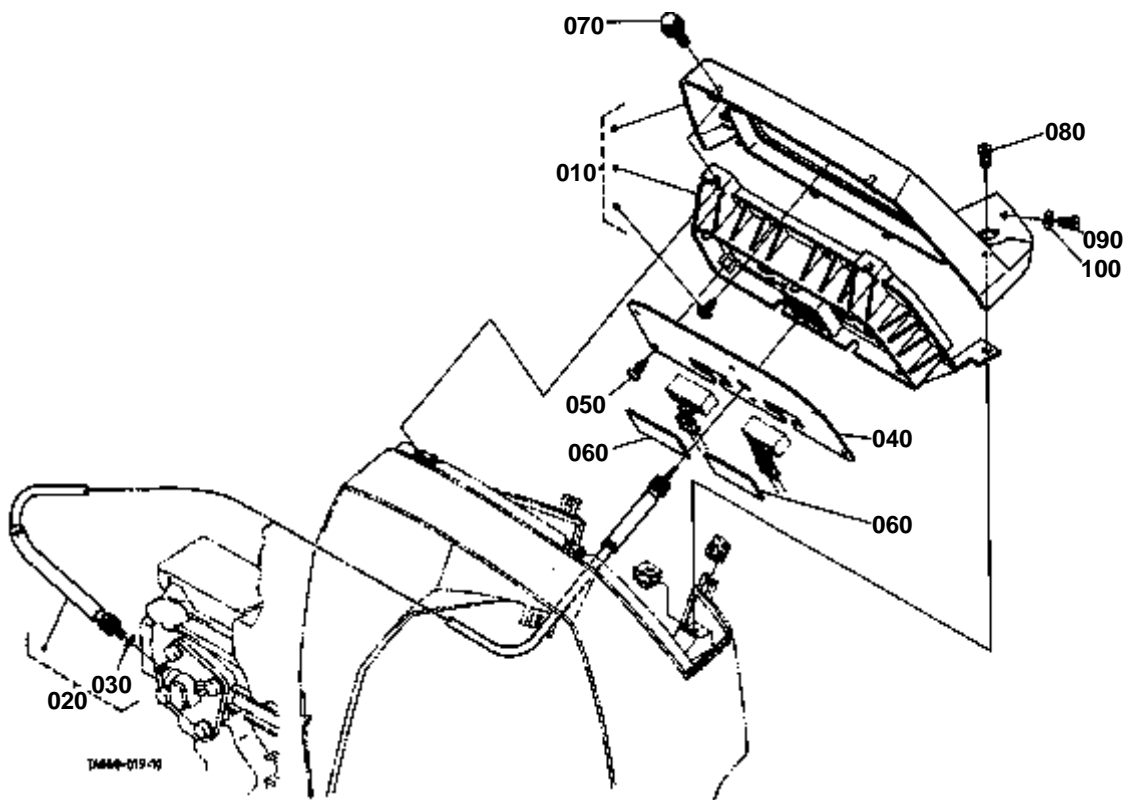




STARTER

↔ Interchangeable; ≠ not interchangeable; ← new for old; → old for new

| REF.No | Part No. | Description | Q'ty | S.No. | I/C | REMARKS | Weight (kgf) | Weight (lb) |
|--------|-------------|---------------|------|-------|-----|---------|--------------|-------------|
| 010 | 17341-63010 | ASSY STARTER | 1 | | | | 3.65 | 8.03 |
| 020 | 01517-51028 | STUD | 1 | | | | 0.022 | 0.0484 |
| 030 | 02176-50100 | NUT | 1 | | | | 0.005 | 0.011 |
| 040 | 01133-51030 | BOLT | 1 | | | | 0.025 | 0.055 |
| 050 | 04512-60100 | WASHER SPRING | 1 | | | | 0.002 | 0.0044 |



**ELECTRICAL WIRING [HST TYPE] [ROPS TYPE]**

↔ Interchangeable; ≠ not interchangeable; ← new for old; → old for new

| REF.No | Part No. | Description | Q'ty | S.No. | I/C | REMARKS | Weight (kgf) | Weight (lb) |
|--------|-------------|-------------------|------|---------|-----|---------|--------------|-------------|
| 010 | TA240-30315 | WIRE HARNESS HST | 1 | <=73190 | | | 0 | 0 |
| 010 | TA240-30316 | WIRE HARNESS HST | 1 | >=73191 | ← | | 1.1 | 2.42 |
| 020 | TA140-30400 | ASSY BOX FUSE | 1 | | | | 0.138 | 0.3036 |
| 030 | TA140-30410 | COVER FUSE BOX | 1 | | | | 0.02 | 0.044 |
| 040 | 35533-77350 | ASSY CASE FUSE | 1 | | | | 0.04 | 0.088 |
| 050 | 36730-75550 | FUSE | 4 | | | 10A | 0.001 | 0.0022 |
| 060 | 35820-75560 | FUSE | 3 | | | 15A | 0.002 | 0.0044 |
| 070 | 34670-34530 | FUSE | 1 | | | 40A | 0.003 | 0.0066 |
| 080 | TA140-30320 | WIRE HARNESS | 1 | | | | 0.25 | 0.55 |
| 090 | TA240-30333 | WIRE HARNESS HST | 1 | <=73190 | | | 0 | 0 |
| 090 | TA240-30334 | WIRE HARNESS HST | 1 | >=73191 | ← | | 0.21 | 0.462 |
| 100 | 03024-50520 | SCREW WITH WASHER | 2 | | | | 0.004 | 0.0088 |
| 110 | 55311-41260 | BAND CORD | 3 | | | | 0.007 | 0.0154 |
| 120 | 32240-34460 | CLAMP CORD | 3 | | | | 0.011 | 0.0242 |
| 130 | 13816-67580 | CLAMP CORD | 2 | | | | 0.004 | 0.0088 |
| 140 | 53581-64150 | BAND CORD | 2 | | | | 0.002 | 0.0044 |
| 150 | 13816-67580 | CLAMP CORD | 4 | | | | 0.004 | 0.0088 |
| 160 | 15241-67580 | CLAMP CORD | 1 | | | | 0.004 | 0.0088 |
| 170 | 44366-68380 | BAND CORD | 1 | | | | 0.01 | 0.022 |

**MID CASE [HST TYPE]**

↔ Interchangeable; ≠ not interchangeable; ← new for old; → old for new

| REF.No | Part No. | Description | Q'ty | S.No. | I/C | REMARKS | Weight (kgf) | Weight (lb) |
|--------|-------------|--------------------|------|---------|-----|---------|--------------|-------------|
| 010 | TA250-50320 | CASE MID HST | 1 | | | | 34 | 74.8 |
| 020 | TA240-50330 | HOLDER BEARING | 1 | | | | 0.94 | 2.068 |
| 030 | 05012-00818 | PIN STRAIGHT | 2 | | | | 0.008 | 0.0176 |
| 040 | 01123-50850 | BOLT | 4 | | | | 0.02 | 0.044 |
| 050 | TA240-51350 | HOLDER MID-BRG.PTO | 1 | | | | 2.4 | 5.28 |
| 060 | 05012-00818 | PIN STRAIGHT | 2 | | | | 0.008 | 0.0176 |
| 070 | 01133-51030 | BOLT | 4 | | | | 0.025 | 0.055 |
| 073 | TA150-90380 | GASKET MID CASE | 1 | | | | 0.047 | 0.1034 |
| 075 | TA250-50310 | GASKET | 1 | | | | 0.03 | 0.066 |
| 080 | 05012-01018 | PIN STRAIGHT | 2 | | | | 0.012 | 0.0264 |
| 090 | TA240-50280 | STUD | 5 | | | | 0.066 | 0.1452 |
| 100 | 04512-60140 | WASHER SPRING | 5 | | | | 0.006 | 0.0132 |
| 110 | TA240-50240 | NUT | 5 | | | | 0.009 | 0.0198 |
| 120 | TA240-50210 | STUD | 2 | | | | 0.071 | 0.1562 |
| 130 | 01138-51240 | BOLT | 2 | | | | 0.05 | 0.11 |
| 140 | 04512-60120 | WASHER SPRING | 2 | | | | 0.005 | 0.011 |
| 150 | 35340-27360 | NUT | 2 | | | | 0.015 | 0.033 |
| 160 | 05012-01018 | PIN STRAIGHT | 2 | | | | 0.012 | 0.0264 |
| 170 | TA240-50220 | STUD | 4 | | | | 0.062 | 0.1364 |
| 180 | 01138-51255 | BOLT | 3 | | | | 0.06 | 0.132 |
| 190 | TA240-50210 | STUD | 1 | | | | 0.071 | 0.1562 |
| 200 | 04512-60120 | WASHER SPRING | 5 | | | | 0.005 | 0.011 |
| 210 | 35340-27360 | NUT | 5 | | | | 0.015 | 0.033 |
| 220 | TA240-58004 | ASSY HST | 1 | <=72663 | | | 0 | 0 |
| 220 | TA240-58005 | ASSY HST | 1 | >=72664 | ≠ | | 62 | 136.4 |



INPUT SHAFT [HST TYPE]

↔ Interchangeable; ≠ not interchangeable; ← new for old; → old for new

| REF.No | Part No. | Description | Q'ty | S.No. | I/C | REMARKS | Weight (kgf) | Weight (lb) |
|--------|-------------|-------------------|------|-------|-----|---------|--------------|-------------|
| 010 | TA240-52100 | GEAR-SHAFT | 1 | | | 18T | 0.64 | 1.408 |
| 020 | 37150-21550 | CIR CLIP EXTERNAL | 1 | | | | 0.06 | 0.132 |
| 030 | TA040-22110 | GEAR | 1 | | | 27T | 0.425 | 0.935 |
| 040 | 37410-57190 | BEARING BALL | 2 | | | | 0.14 | 0.308 |
| 050 | 67121-56770 | BEARING BALL | 1 | | | | 0.127 | 0.2794 |
| 060 | TA240-52200 | GEAR | 1 | | | 18T | 0.43 | 0.946 |
| 070 | 08101-06007 | BEARING BALL | 1 | | | | 0.16 | 0.352 |
| 080 | 36920-40090 | BEARING BALL | 1 | | | | 0.1 | 0.22 |



PTO SHAFT [HST TYPE]

↔ Interchangeable; ≠ not interchangeable; ← new for old; → old for new

| REF.No | Part No. | Description | Q'ty | S.No. | I/C | REMARKS | Weight (kgf) | Weight (lb) |
|--------|-------------|-------------------|------|---------|-----|---------|--------------|-------------|
| 010 | TA150-15120 | GEAR | 1 | | | 29-29T | 1.55 | 3.41 |
| 020 | 38430-25232 | COLLAR THRUST | 1 | <=72026 | | | 0.02 | 0.044 |
| 020 | 38430-25233 | COLLAR THRUST | 1 | >=72027 | ← | | 0 | 0 |
| 030 | 08823-03526 | BEARING NEEDLE | 2 | | | | 0.035 | 0.077 |
| 040 | TA040-15130 | COLLAR | 1 | | | | 0.022 | 0.0484 |
| 050 | TA240-53680 | SHAFT PTO DRIVE | 1 | | | | 1.6 | 3.52 |
| 060 | 37410-57190 | BEARING BALL | 1 | | | | 0.14 | 0.308 |
| 070 | TA240-23610 | GEAR PTO | 1 | | | 30T | 1.51 | 3.322 |
| 080 | 37410-57330 | BEARING BALL | 1 | | | | 0.2 | 0.44 |
| 090 | 34550-62430 | CIR CLIP EXTERNAL | 1 | <=72388 | | | 0 | 0 |
| 090 | 37410-15280 | CIR-CLIP | 1 | >=72389 | ← | | 0.005 | 0.011 |
| 100 | 34550-23360 | COLLAR THRUST | 1 | | | | 0.025 | 0.055 |
| 110 | 37410-57330 | BEARING BALL | 1 | | | | 0.2 | 0.44 |
| 120 | TA040-23700 | SHAFT PTO | 1 | | | | 2.1 | 4.62 |
| 130 | TA040-23660 | COUPLING PTO | 1 | | | | 0.165 | 0.363 |
| 140 | 35340-25350 | COLLAR OIL SEAL | 1 | | | | 0.03 | 0.066 |
| 150 | 38430-25330 | BEARING BALL | 1 | | | | 0.23 | 0.506 |
| 160 | 35340-25320 | NUT | 1 | | | | 0.05 | 0.11 |
| 170 | 31391-25410 | CASE BEARING | 1 | | | | 1.28 | 2.816 |
| 180 | 04611-00650 | CIR CLIP INTERNAL | 1 | | | | 0.011 | 0.0242 |
| 190 | 35340-25360 | SEAL OIL | 1 | | | | 0.024 | 0.0528 |
| 200 | 38240-25370 | SLINGER | 1 | | | | 0.004 | 0.0088 |
| 210 | 04811-50800 | O RING | 1 | | | | 0.003 | 0.0066 |
| 220 | 01123-50840 | BOLT | 4 | | | | 0.018 | 0.0396 |
| 230 | 38430-25540 | CIR CLIP EXTERNAL | 1 | | | | 0.004 | 0.0088 |
| 240 | 31220-25820 | CAP | 1 | | | | 0.055 | 0.121 |

**BRAKE**

↔ Interchangeable; ≠ not interchangeable; ← new for old; → old for new

| REF.No | Part No. | Description | Q'ty | S.No. | I/C | REMARKS | Weight (kgf) | Weight (lb) |
|--------|-------------|--------------------|------|---------|-----|----------|--------------|-------------|
| 010 | TA040-28617 | CASE BRAKE LH | 1 | <=73628 | | NOT SALE | 14.6 | 32.12 |
| 010 | TA040-28618 | CASE BRAKE LH | 1 | >=73629 | ← | | 14.6 | 32.12 |
| 020 | TA040-28627 | CASE BRAKE RH | 1 | <=73628 | | NOT SALE | 14.6 | 32.12 |
| 020 | TA040-28628 | CASE BRAKE RH | 1 | >=73629 | ← | | 14.6 | 32.12 |
| 030 | 05012-01018 | PIN STRAIGHT | 4 | | | | 0.012 | 0.0264 |
| 040 | 01574-61240 | STUD | 14 | | | | 0.045 | 0.099 |
| 050 | 01173-51235 | BOLT | 2 | <=72399 | | | 0.04 | 0.088 |
| 050 | 01133-51235 | BOLT | 2 | >=72400 | ← | | 0.05 | 0.11 |
| 060 | 01173-51245 | BOLT | 6 | <=72399 | | | 0.049 | 0.1078 |
| 060 | 01133-51245 | BOLT | 6 | >=72400 | ← | | 0.055 | 0.121 |
| 070 | 01574-51200 | STUD | 2 | | | | 0.1 | 0.22 |
| 080 | 01574-61260 | STUD | 2 | | | | 0.05 | 0.11 |
| 090 | 04512-60120 | WASHER SPRING | 26 | <=72399 | | | 0.005 | 0.011 |
| 090 | 04512-60120 | WASHER SPRING | 18 | >=72400 | | | 0.005 | 0.011 |
| 100 | 02176-50120 | NUT | 18 | | | | 0.01 | 0.022 |
| 105 | 04811-10120 | O RING | 2 | | | | 0.001 | 0.0022 |
| 110 | 06331-45010 | PLUG | 2 | | | | 0.02 | 0.044 |
| 120 | 04717-01000 | WASHER WITH RUBBER | 2 | | | | 0.001 | 0.0022 |
| 130 | 34070-28715 | CAM BRAKE LH | 1 | | | | 0.285 | 0.627 |
| 140 | 34070-28725 | CAM BRAKE RH | 1 | | | | 0.285 | 0.627 |
| 150 | 04811-00220 | O RING | 4 | | | | 0.001 | 0.0022 |
| 150 | 04817-00220 | O RING | 4 | | ← | | 0.005 | 0.011 |
| 160 | 04015-60120 | WASHER PLAIN | 2 | | | | 0.022 | 0.0484 |
| 170 | 04512-60120 | WASHER SPRING | 2 | | | | 0.005 | 0.011 |
| 180 | 02174-50120 | NUT | 2 | | | | 0.01 | 0.022 |
| 190 | 34070-28770 | PLATE BRAKE CAM LH | 1 | | | | 1.11 | 2.442 |
| 200 | 34070-28780 | PLATE BRAKE CAM RH | 1 | | | | 1.09 | 2.398 |
| 210 | 07715-00805 | BALL | 12 | | | | 0.016 | 0.0352 |
| 220 | 37150-28200 | DISK BRAKE | 4 | | | | 0 | 0 |
| 220 | T1060-28200 | DISK BRAKE MAIN | 4 | | ↔ | | 0.75 | 1.65 |
| 230 | 37720-28170 | PLATE | 2 | | | | 0.422 | 0.9284 |
| 240 | 34070-44615 | LEVER BRAKE CAM LH | 1 | | | | 0.41 | 0.902 |
| 250 | 34070-44623 | LEVER BRAKE CAM RH | 1 | | | | 0.41 | 0.902 |



NEUTRAL HOLDER LINK [HST TYPE]

↔ Interchangeable; ≠ not interchangeable; ← new for old; → old for new

| REF.No | Part No. | Description | Q'ty | S.No. | I/C | REMARKS | Weight (kgf) | Weight (lb) |
|--------|-------------|----------------------|------|-------|-----|---------|--------------|-------------|
| 010 | TA240-55173 | BRACKET HST | 1 | | | | 1.09 | 2.398 |
| 020 | 01774-61020 | BOLT FLANGE | 2 | | | | 0.022 | 0.0484 |
| 030 | TA240-55503 | ASSY ARM | 1 | | | | 0.445 | 0.979 |
| 030 | TA240-55504 | ASSY ARM | 1 | | ↔ | | 0 | 0 |
| 040 | 08511-01215 | BUSH | 2 | | | | 0.005 | 0.011 |
| 050 | 04013-60120 | WASHER PLAIN | 1 | | | | 0.01 | 0.022 |
| 060 | 04612-00120 | CIR CLIP EXTERNAL | 1 | | | | 0.001 | 0.0022 |
| 070 | 99999-99999 | BLANK | 0 | | | | 0 | 0 |
| 080 | TA240-55190 | ARM HOLDER | 1 | | | | 0.14 | 0.308 |
| 090 | 66204-43572 | BUSH | 1 | | | | 0.003 | 0.0066 |
| 100 | 66204-43352 | SHAFT HOLDER | 1 | | | | 0.072 | 0.1584 |
| 110 | 99999-99999 | BLANK | 0 | | | | 0 | 0 |
| 120 | 01125-50830 | BOLT | 1 | | | | 0.01 | 0.022 |
| 130 | 08121-06000 | BEARING BALL | 1 | | | | 0.02 | 0.044 |
| 140 | 04011-50100 | WASHER PLAIN | 1 | | | | 0.002 | 0.0044 |
| 150 | 04612-00100 | CIR CLIP EXTERNAL | 1 | | | | 0.001 | 0.0022 |
| 160 | 76611-43320 | SPRING | 1 | | | | 0.067 | 0.1474 |
| 170 | TA240-55180 | BOLT ADJUSTING | 1 | | | | 0.02 | 0.044 |
| 180 | 99999-99999 | BLANK | 0 | | | | 0 | 0 |
| 190 | 02114-50080 | NUT | 2 | | | | 0.005 | 0.011 |
| 200 | TA240-54720 | DAMPER HST | 1 | | | | 0.28 | 0.616 |
| 210 | 99999-99999 | BLANK | 0 | | | | 0 | 0 |
| 220 | 05122-50828 | PIN JOINT | 1 | | | | 0.012 | 0.0264 |
| 230 | 04012-50080 | WASHER PLAIN | 1 | | | | 0.001 | 0.0022 |
| 240 | 05511-50215 | PIN SPLIT | 2 | | | | 0.001 | 0.0022 |
| 250 | 99999-99999 | BLANK | 0 | | | | 0 | 0 |
| 260 | TA240-55150 | ROD | 1 | | | | 0.046 | 0.1012 |
| 270 | 45404-95770 | END ROD | 1 | | | | 0.05 | 0.11 |
| 280 | 54721-31850 | BALL LINK | 1 | | | | 0.065 | 0.143 |
| 290 | 37300-41330 | NUT | 1 | | | | 0.005 | 0.011 |
| 300 | 02114-50080 | NUT | 1 | | | | 0.005 | 0.011 |
| 310 | 02751-50080 | NUT FLANGE | 2 | | | | 0.006 | 0.0132 |
| 320 | TA240-59550 | ASSY LEVER REGULATOR | 1 | | | | 0.05 | 0.11 |
| 330 | 01350-10520 | BOLT HEX-SOC-HD | 1 | | | | 0.004 | 0.0088 |

CLICK HERE TO **DOWNLOAD** THE COMPLETE MANUAL

- Thank you very much for reading the preview of the manual.
- You can download the complete manual from: www.heydownloads.com by clicking the link below



- Please note: If there is no response to CLICKING the link, please download this PDF first and then click on it.

CLICK HERE TO **DOWNLOAD** THE COMPLETE MANUAL

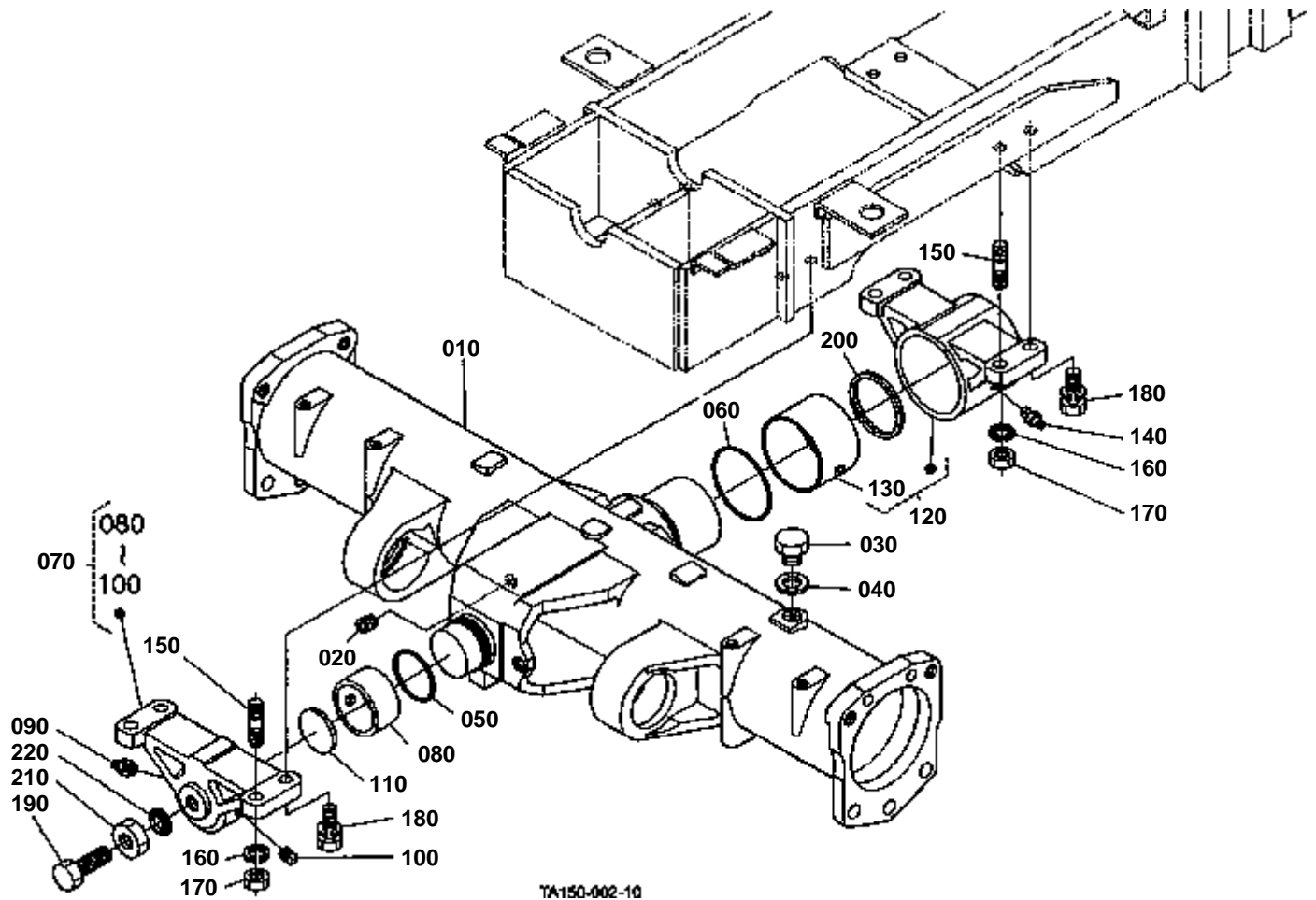


FRONT WHEEL DRIVE LEVER

↔ Interchangeable; ≠ not interchangeable; ← new for old; → old for new

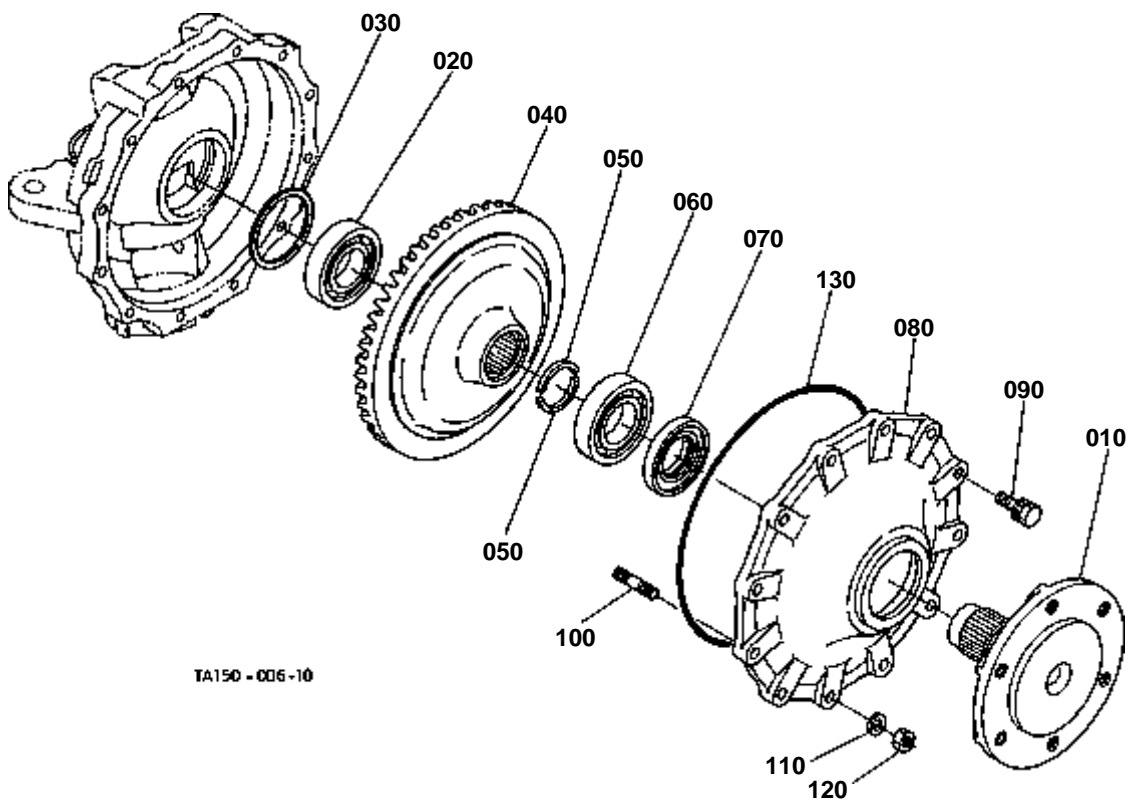
| REF.No | Part No. | Description | Q'ty | S.No. | I/C | REMARKS | Weight (kgf) | Weight (lb) |
|--------|-------------|------------------|------|--------|-----|---------|--------------|-------------|
| 010 | TA040-15180 | LEVER SHIFT | 1 | | | | 0.405 | 0.891 |
| 020 | 04811-00200 | O RING | 1 | | | | 0.001 | 0.0022 |
| 020 | 04816-00200 | O RING | 1 | | ← | | 0.003 | 0.0066 |
| 030 | 34070-24350 | STOPPER | 1 | | | | 0.02 | 0.044 |
| 040 | 01754-50812 | BOLT FLANGE | 1 | | | | 0.01 | 0.022 |
| 050 | TA140-15470 | LEVER 4WD CHANGE | 1 | ≤73000 | | | 0.505 | 1.111 |
| 050 | TA140-15473 | LEVER 4WD CHANGE | 1 | ≥73001 | ← | | 0.505 | 1.111 |
| 060 | TA140-15490 | LEVER 4WD CHANGE | 1 | | | | 0.086 | 0.1892 |
| 070 | 05411-00630 | PIN SPRING | 1 | | | | 0.004 | 0.0088 |
| 080 | TA040-15480 | GRIP LEVER | 1 | | | | 0.053 | 0.1166 |
| 090 | 02116-50100 | NUT | 1 | | | | 0.004 | 0.0088 |

FRONT DIFFERENTIAL CASE



TA150-002-10

FRONT AXLE



TA150-006-10

**STEERING CYLINDER [COMPONENT PARTS]**

↔ Interchangeable; ≠ not interchangeable; ← new for old; → old for new

| REF.No | Part No. | Description | Q'ty | S.No. | I/C | REMARKS | Weight (kgf) | Weight (lb) |
|--------|-------------|--------------------|------|---------|-----|---------|--------------|-------------|
| 010 | TA150-37800 | CYLINDER HYDRAULIC | 1 | <=70015 | | | 0 | 0 |
| 010 | TA150-37802 | CYLINDER HYDRAULIC | 1 | >=70016 | ← | | 0 | 0 |
| 020 | TA150-37810 | KIT HEAD HYD.CYL. | 1 | | | | 0 | 0 |
| 030 | 3A022-63820 | KIT SEAL | 1 | | | | 0.053 | 0.1166 |
| 040 | 68811-93370 | O RING | 2 | | | | 0.002 | 0.0044 |
| 050 | 3A121-63830 | SEAL | 1 | | | | 0.004 | 0.0088 |
| 060 | 3A121-63840 | O RING | 1 | | | | 0.002 | 0.0044 |
| 070 | 3A121-63890 | U-RING | 2 | | | | 0.005 | 0.011 |
| 080 | 3A121-63860 | RING WIPER | 2 | | | | 0.015 | 0.033 |
| 090 | 3A121-63870 | RING BACK UP | 2 | | | | 0.004 | 0.0088 |



HYDRAULIC OIL LINE(PS) [HST TYPE]

↔ Interchangeable; ≠ not interchangeable; ← new for old; → old for new

| REF.No | Part No. | Description | Q'ty | S.No. | I/C | REMARKS | Weight (kgf) | Weight (lb) |
|--------|-------------|------------------|------|--------|-----|---------|--------------|-------------|
| 010 | TA220-33510 | HOSE DELIVERY | 1 | ≤70846 | | | 0.435 | 0.957 |
| 010 | TA250-33510 | HOSE DELIVERY | 1 | ≥70847 | ← | | 0.465 | 1.023 |
| 020 | 66591-36250 | JOINT | 1 | | | | 0.08 | 0.176 |
| 030 | 67111-37180 | GASKET | 2 | | | | 0.003 | 0.0066 |
| 040 | TA150-33520 | HOSE DELIVERY | 2 | ≤70015 | | | 0 | 0 |
| 040 | TA150-33523 | HOSE DELIVERY | 2 | ≥70016 | ← | | 0.23 | 0.506 |
| 050 | 56713-28130 | ADAPTER CYLINDER | 2 | | | | 0.052 | 0.1144 |
| 060 | TA040-33300 | HOLDER HOSE | 1 | | | | 0.027 | 0.0594 |
| 070 | 01123-60814 | BOLT | 1 | ≤72760 | | | 0.008 | 0.0176 |
| 070 | 01123-50816 | BOLT | 1 | ≥72761 | ← | | 0.011 | 0.0242 |
| 080 | 55311-41260 | BAND CORD | 1 | | | | 0.007 | 0.0154 |
| 090 | TA240-33530 | ASSY HOSE RETURN | 1 | ≤60009 | | | 0.235 | 0.517 |
| 090 | TA240-33533 | ASSY HOSE RETURN | 1 | ≥70001 | ← | | 0.235 | 0.517 |
| 100 | 15109-73360 | BAND PIPE | 2 | | | | 0.01 | 0.022 |
| 110 | 31351-45330 | SPRING PROTECTOR | 1 | | | | 0.055 | 0.121 |
| 120 | 34030-33530 | ASSY HOSE RETURN | 1 | | | | 0.29 | 0.638 |
| 130 | 15109-73360 | BAND PIPE | 2 | | | | 0.01 | 0.022 |
| 140 | 31351-45330 | SPRING PROTECTOR | 1 | | | | 0.055 | 0.121 |
| 150 | TA240-33550 | PIPE | 1 | | | | 0.04 | 0.088 |
| 160 | TA240-36910 | JOINT | 1 | | | | 0.06 | 0.132 |



HYDRAULIC CYLINDER

↔ Interchangeable; ≠ not interchangeable; ← new for old; → old for new

| REF.No | Part No. | Description | Q'ty | S.No. | I/C | REMARKS | Weight (kgf) | Weight (lb) |
|--------|-------------|----------------------|------|---------|-----|-----------|--------------|-------------|
| 010 | TA150-34110 | CASE HYD.CYLINDER | 1 | <=60009 | | NOT SALE | 0 | 0 |
| 010 | TA040-34114 | CASE HYD.CYLINDER | 1 | >=70001 | ≠ | NOT SALE | 21.3 | 46.86 |
| 010 | TA150-99350 | ASSY CASE HYD.CYLIN. | 1 | >=70847 | ← | | 0 | 0 |
| 010 | TA150-99353 | ASSY CASE CYLINDER | 1 | >=72027 | ← | | 0 | 0 |
| 010 | TC050-99360 | ASSY CASE CYLINDER | 1 | >=73629 | ← | | 0 | 0 |
| 020 | 37150-36730 | PLUG | 1 | | | | 0.03 | 0.066 |
| 030 | 37150-36720 | GASKET | 1 | | | | 0.01 | 0.022 |
| 040 | 31351-37150 | PLUG | 2 | | | | 0.007 | 0.0154 |
| 050 | 36200-21610 | BREATHER | 1 | | | | 0.008 | 0.0176 |
| 060 | 31351-37140 | BREATHER | 1 | | | | 0.01 | 0.022 |
| 070 | 38240-21410 | PLUG | 1 | | | | 0.015 | 0.033 |
| 080 | 04811-50300 | O RING | 1 | | | | 0.001 | 0.0022 |
| 080 | 04817-50300 | O RING | 1 | | ← | | 0.001 | 0.0022 |
| 085 | TA150-37120 | GASKET | 1 | | | | 0.1 | 0.22 |
| 090 | 01574-51245 | STUD | 1 | | | | 0.051 | 0.1122 |
| 100 | 01574-51245 | STUD | 1 | | | | 0.051 | 0.1122 |
| 110 | 01133-51245 | BOLT | 4 | | | | 0.055 | 0.121 |
| 120 | 02176-50120 | NUT | 2 | | | | 0.01 | 0.022 |
| 130 | 04512-60120 | WASHER SPRING | 2 | | | | 0.005 | 0.011 |
| 140 | 01133-51260 | BOLT | 2 | | | | 0.06 | 0.132 |
| 150 | 01133-51255 | BOLT | 2 | | | | 0.08 | 0.176 |
| 160 | 66591-51130 | PLUG | 2 | | | W/O DRAFT | 0.001 | 0.0022 |
| 170 | TA040-36620 | ASSY COVER CYLINDER | 1 | | | | 0.3 | 0.66 |
| 180 | 31351-37150 | PLUG | 1 | | | | 0.007 | 0.0154 |
| 190 | 04810-00140 | O RING | 1 | | | | 0.001 | 0.0022 |
| 190 | 04817-00140 | O RING | 1 | | ← | | 0 | 0 |
| 200 | 04810-00100 | O RING | 2 | | | | 0.001 | 0.0022 |
| 200 | 04817-00100 | O RING | 2 | | ← | | 0 | 0 |
| 210 | 01123-50835 | BOLT | 3 | | | | 0.02 | 0.044 |
| 220 | TA040-36650 | PLUG | 1 | | | | 0.005 | 0.011 |
| 230 | 13816-67580 | CLAMP CORD | 1 | | | | 0.004 | 0.0088 |



CONTROL VALVE [COMPONENT PARTS] [OLD TYPE]
S.No.;<=71974

↔ Interchangeable; ≠ not interchangeable; ← new for old; → old for new

| REF.No | Part No. | Description | Q'ty | S.No. | I/C | REMARKS | Weight (kgf) | Weight (lb) |
|--------|-------------|--------------------|------|-------|-----|---------|--------------|-------------|
| 010 | 31351-39603 | ASSY VALVE CONTROL | 1 | | | | 0 | 0 |
| 020 | 31351-39630 | SPRING SPOOL | 1 | | | | 0.02 | 0.044 |
| 030 | 31351-39640 | HOLDER SPRING | 1 | | | | 0.02 | 0.044 |
| 040 | 01311-10814 | BOLT HEX-SOC-HD | 1 | | | | 0.012 | 0.0264 |
| 050 | 31351-39650 | PLUG | 1 | | | | 0.04 | 0.088 |
| 060 | 31351-39150 | POPPET | 1 | | | | 0.02 | 0.044 |
| 070 | 67531-38470 | SPRING | 1 | | | | 0.001 | 0.0022 |
| 080 | 04811-00140 | O RING | 1 | | | | 0.001 | 0.0022 |
| 090 | 31351-39660 | PLATE | 1 | | | | 0.05 | 0.11 |
| 100 | 31351-39670 | POPPET | 1 | | | | 0.01 | 0.022 |
| 110 | 31351-39680 | SPRING | 1 | | | | 0.01 | 0.022 |
| 120 | 04811-00160 | O RING | 1 | | | | 0.001 | 0.0022 |
| 130 | 01023-50614 | BOLT | 2 | | | | 0.005 | 0.011 |
| 140 | 31351-39690 | PLUG | 1 | | | | 0.05 | 0.11 |
| 150 | 31391-39180 | POPPET | 1 | | | | 0.015 | 0.033 |
| 160 | 31391-39190 | SPRING | 1 | | | | 0.001 | 0.0022 |
| 170 | 04810-00090 | O RING | 1 | | | | 0.001 | 0.0022 |
| 180 | 31351-39720 | PIN FULCRUM | 1 | | | | 0.025 | 0.055 |
| 190 | 04811-00080 | O RING | 1 | | | | 0.001 | 0.0022 |
| 200 | 31351-39730 | PLUG | 1 | | | | 0.05 | 0.11 |
| 210 | 31351-39180 | POPPET | 1 | | | | 0.025 | 0.055 |
| 220 | 31351-39190 | SPRING | 1 | | | | 0.008 | 0.0176 |
| 230 | 04810-06100 | O RING | 1 | | | | 0.001 | 0.0022 |
| 240 | 04811-00050 | O RING | 1 | | | | 0.001 | 0.0022 |
| 250 | 31351-39290 | RING BACK UP | 1 | | | | 0.001 | 0.0022 |
| 260 | 31351-39740 | RETAINER ROD | 1 | | | | 0.005 | 0.011 |
| 270 | 31351-39750 | PLATE JOINT | 1 | | | | 0.05 | 0.11 |
| 280 | 02156-50080 | NUT | 2 | | | | 0.004 | 0.0088 |
| 290 | 04111-50080 | WASHER | 2 | | | | 0.001 | 0.0022 |
| 300 | 03650-50816 | SCREW SET | 1 | | | | 0.01 | 0.022 |

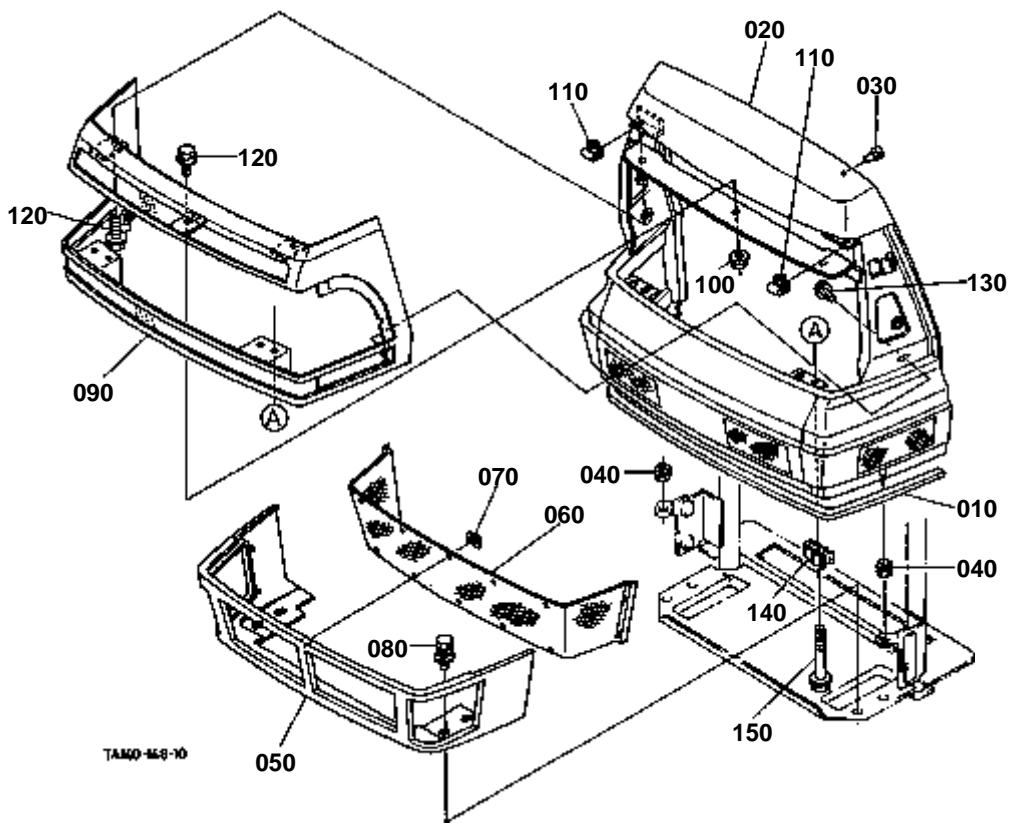


3-POINT LINKAGE 1(LOWER LINK) [OLD TYPE]
S.No.;<=72663

↔ Interchangeable; ≠ not interchangeable; ← new for old; → old for new

| REF.No | Part No. | Description | Q'ty | S.No. | I/C | REMARKS | Weight (kgf) | Weight (lb) |
|--------|-------------|---------------------|------|---------|-----|---------|--------------|-------------|
| 010 | TA140-71312 | COMP.LINK LOWER | 2 | <=72557 | | | 0 | 0 |
| 010 | TA140-71313 | COMP.LINK LOWER | 2 | >=72558 | ← | | 0 | 0 |
| 020 | 34150-37640 | PIN SET | 2 | | | | 0.06 | 0.132 |
| 030 | TA140-39600 | ASSY STABILIZER | 2 | <=69999 | | | 0 | 0 |
| 030 | TA140-39604 | ASSY STABILIZER | 2 | >=70001 | ← | | 2.85 | 6.27 |
| 040 | TA140-39610 | COMP.STAB.FRONT | 2 | | | | 1.17 | 2.574 |
| 050 | TA140-39620 | COMP.STAB.BEAR | 2 | | | | 0.895 | 1.969 |
| 060 | TA140-39630 | COMP.JOINT | 2 | | | | 0.23 | 0.506 |
| 070 | TA140-39643 | COMP.JOINT | 2 | | | | 0.48 | 1.056 |
| 080 | 05122-51265 | PIN JOINT | 2 | <=69999 | | | 0.06 | 0.132 |
| 080 | TA140-39820 | PIN STABILIZER REAR | 2 | >=70001 | ← | | 0.064 | 0.1408 |
| 090 | 05511-50428 | PIN SPLIT | 2 | | | | 0.004 | 0.0088 |
| 100 | 04011-50120 | WASHER PLAIN | 2 | | | | 0.005 | 0.011 |
| 110 | TA140-39810 | PIN STABILIZER | 2 | <=70015 | | | 0 | 0 |
| 110 | TA140-39850 | BOLT STABILIZER | 2 | >=70016 | ← | | 0.06 | 0.132 |
| 120 | 04013-60120 | WASHER PLAIN | 2 | <=70015 | | | 0.01 | 0.022 |
| 130 | 67156-34340 | RING SNAP | 2 | <=70015 | | | 0.01 | 0.022 |
| 130 | 02576-50120 | NUT LOCK | 2 | >=70016 | ≠ | | 0.011 | 0.0242 |
| 140 | TA140-39820 | PIN STABILIZER REAR | 2 | | | | 0.064 | 0.1408 |
| 150 | 04011-50120 | WASHER PLAIN | 4 | | | | 0.005 | 0.011 |
| 160 | 05511-50425 | PIN SPLIT | 2 | | | | 0.003 | 0.0066 |
| 170 | 05515-61200 | PIN SNAP | 2 | | | | 0.005 | 0.011 |

FRONT GRILLE





HOOD(BONNET) SIDE LH

↔ Interchangeable; ≠ not interchangeable; ← new for old; → old for new

| REF.No | Part No. | Description | Q'ty | S.No. | I/C | REMARKS | Weight (kgf) | Weight (lb) |
|--------|-------------|--------------------|------|-------|-----|---------|--------------|-------------|
| 010 | T0320-40250 | HOLDER | 1 | | | | 0.08 | 0.176 |
| 020 | 34070-41162 | BOLT | 1 | | | | 0.01 | 0.022 |
| 030 | 04012-50080 | WASHER PLAIN | 1 | | | | 0.001 | 0.0022 |
| 040 | 04512-60080 | WASHER SPRING | 1 | | | | 0.002 | 0.0044 |
| 050 | 02114-50080 | NUT | 1 | | | | 0.005 | 0.011 |
| 060 | T0070-40260 | GRIP HANDLE | 1 | | | | 0.075 | 0.165 |
| 070 | T0270-40280 | HOOK BONNET | 1 | | | | 0.055 | 0.121 |
| 080 | 33251-83950 | WASHER SPRING | 1 | | | | 0.001 | 0.0022 |
| 090 | 04012-50080 | WASHER PLAIN | 1 | | | | 0.001 | 0.0022 |
| 100 | 33251-83850 | WASHER HANDLE | 2 | | | | 0.001 | 0.0022 |
| 110 | 04512-60080 | WASHER SPRING | 1 | | | | 0.002 | 0.0044 |
| 120 | 02114-50080 | NUT | 1 | | | | 0.005 | 0.011 |
| 130 | T0120-40530 | COVER MUFFLER PIPE | 1 | | | | 0.14 | 0.308 |
| 140 | 01023-50610 | BOLT | 2 | | | | 0.005 | 0.011 |
| 150 | T0320-41330 | BONNET SIDE LH | 1 | | | | 5 | 11 |
| 160 | TA140-40680 | SHIELD SIDE COVER | 1 | | | | 0.017 | 0.0374 |
| 170 | TA140-41880 | GLILLE LH | 1 | | | | 0.51 | 1.122 |
| 180 | 55611-44190 | NUT | 8 | | | | 0.004 | 0.0088 |
| 190 | 30400-65040 | PLATE WASHER | 8 | | | | 0.001 | 0.0022 |



FENDER [HST TYPE] [ROPS TYPE]

↔ Interchangeable; ≠ not interchangeable; ← new for old; → old for new

| REF.No | Part No. | Description | Q'ty | S.No. | I/C | REMARKS | Weight (kgf) | Weight (lb) |
|--------|-------------|----------------------|------|--------|-----|---------|--------------|-------------|
| 010 | TA240-99510 | KIT FENDER RH(A) | 1 | | | ENGLISH | 10 | 22 |
| 015 | TA241-99510 | KIT FENDER RH(B) | 1 | | | FRENCH | 10 | 22 |
| 020 | TA140-99530 | KIT FENDER LH(A) | 1 | | | ENGLISH | 10 | 22 |
| 025 | TA141-99530 | KIT FENDER LH(B) | 1 | | | FRENCH | 10 | 22 |
| 030 | 01754-50812 | BOLT FLANGE | 28 | ≤72866 | | | 0.01 | 0.022 |
| 030 | T1060-47370 | BOLT | 28 | ≥72867 | ← | | 0.011 | 0.0242 |
| 040 | 02751-50080 | NUT FLANGE | 2 | | | | 0.006 | 0.0132 |
| 050 | 32150-29180 | CAP RUBBER | 2 | | | | 0.002 | 0.0044 |
| 060 | 34070-47060 | PLATE FENDER LH | 1 | ≤73190 | | | 0.025 | 0.055 |
| 070 | 34070-47070 | PLATE FENDER RH | 1 | ≤73190 | | | 0.025 | 0.055 |
| 080 | 31351-93550 | NUT | 4 | ≤73190 | | | 0.001 | 0.0022 |
| 090 | 30810-29170 | PLUG | 2 | | | | 0.003 | 0.0066 |
| 100 | T0270-29442 | GRIP | 2 | | | | 0.3 | 0.66 |
| 110 | 04013-60100 | WASHER PLAIN | 2 | | | | 0.004 | 0.0088 |
| 120 | 02771-60100 | NUT FLANGE | 2 | | | | 0.01 | 0.022 |
| 130 | T0180-83590 | BOLT FLANGE | 2 | | | | 0.022 | 0.0484 |
| 140 | 02771-60100 | NUT FLANGE | 2 | | | | 0.01 | 0.022 |
| 150 | TA040-49320 | LABEL ROPS WARNING | 1 | | | ENGLISH | 0.001 | 0.0022 |
| 160 | TA240-49330 | LABEL PARKING | 1 | | | ENGLISH | 0.005 | 0.011 |
| 170 | TA040-49150 | LABEL ROPS WARNING | 1 | | | FRENCH | 0.003 | 0.0066 |
| 180 | TA241-49330 | LABEL PARKING WARNIN | 1 | | | FRENCH | 0.005 | 0.011 |
| 190 | 35260-34913 | LABEL SAFETY | 1 | | | ENGLISH | 0.005 | 0.011 |
| 200 | TA041-65700 | LABEL SAFETY | 1 | | | FRENCH | 0.01 | 0.022 |
| 210 | 34040-68980 | PLATE FENDER LH | 1 | ≥73191 | | | 0.02 | 0.044 |
| 220 | 34040-68990 | PLATE FENDER RH | 1 | ≥73191 | | | 0.025 | 0.055 |



ROPS [ROPS TYPE] [OLD TYPE]
S.No.;<=72093 [TYPE VIEUX]

↔ Interchangeable; ≠ not interchangeable; ← new for old; → old for new

| REF.No | Part No. | Description | Q'ty | S.No. | I/C | REMARKS | Weight (kgf) | Weight (lb) |
|--------|-------------|-----------------|------|-------|-----|---------|--------------|-------------|
| 010 | TA150-48010 | ASSY ROPS | 1 | | | | 0 | 0 |
| 011 | 99999-99999 | COMP.FRAME LH | 1 | | | | 0 | 0 |
| 012 | 99999-99999 | COMP.FRAME RH | 1 | | | | 0 | 0 |
| 020 | 01176-51430 | BOLT | 12 | | | | 0.052 | 0.1144 |
| 030 | 75599-33016 | WASHER SPRING | 12 | | | | 0.08 | 0.176 |
| 040 | 01173-51230 | BOLT | 2 | | | | 0.037 | 0.0814 |
| 050 | 04512-60120 | WASHER SPRING | 2 | | | | 0.005 | 0.011 |
| 051 | 99999-99999 | CONNECTOR ROPS | 1 | | | | 0 | 0 |
| 060 | 75599-04625 | HEX.BOLT | 2 | | | | 0 | 0 |
| 070 | 75599-33016 | WASHER SPRING | 2 | | | | 0.08 | 0.176 |
| 080 | TA140-48493 | MANUAL ASSEMBLY | 1 | | | | 0 | 0 |

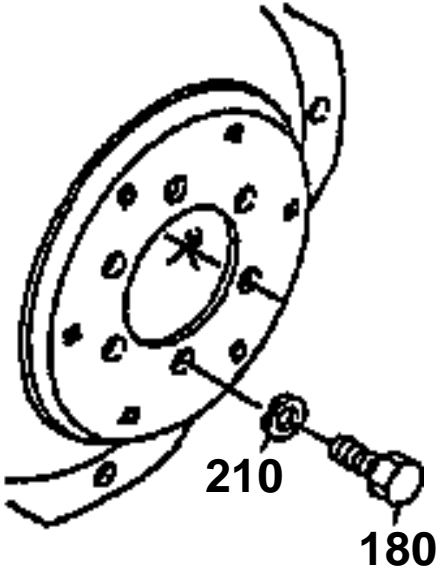


FRONT WHEEL (27*8.5-15)

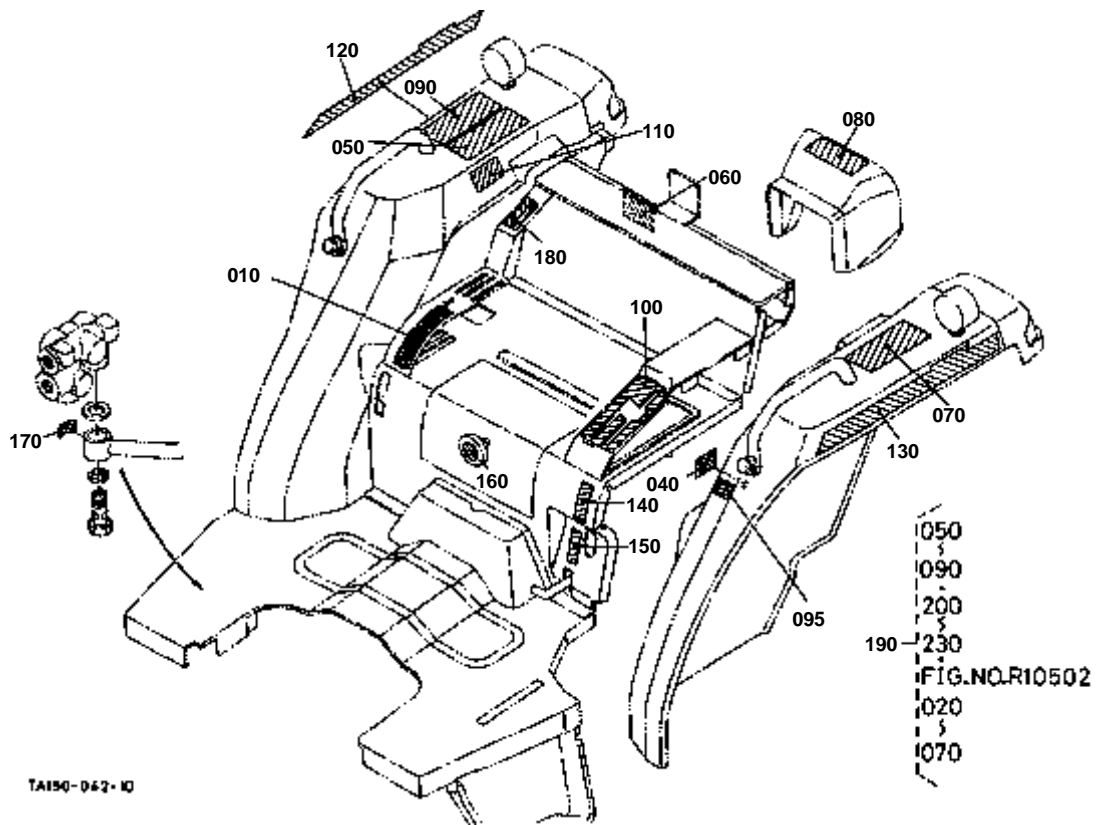
↔ Interchangeable; ≠ not interchangeable; ← new for old; → old for new

| REF.No | Part No. | Description | Q'ty | S.No. | I/C | REMARKS | Weight (kgf) | Weight (lb) |
|--------|-------------|------------------|------|--------|-----|---------|--------------|-------------|
| 010 | TA040-10500 | ASSY FRONT WHEEL | 2 | | | | 0 | 0 |
| 020 | 67002-17630 | TIRE | 2 | | | | 0 | 0 |
| 030 | TA040-10550 | WHEEL | 2 | | | | 0 | 0 |
| 040 | TA040-10560 | LABEL TIRE | 2 | | | | 0 | 0 |
| 050 | 35450-49160 | STUD | 12 | ≤70846 | | | 0.05 | 0.11 |
| 050 | TA150-49160 | STUD WHEEL | 12 | ≥70847 | ≠ | | 0 | 0 |
| 060 | 35340-11390 | NUT | 12 | | | | 0.03 | 0.066 |

180 01073-51630
210 04512-60160

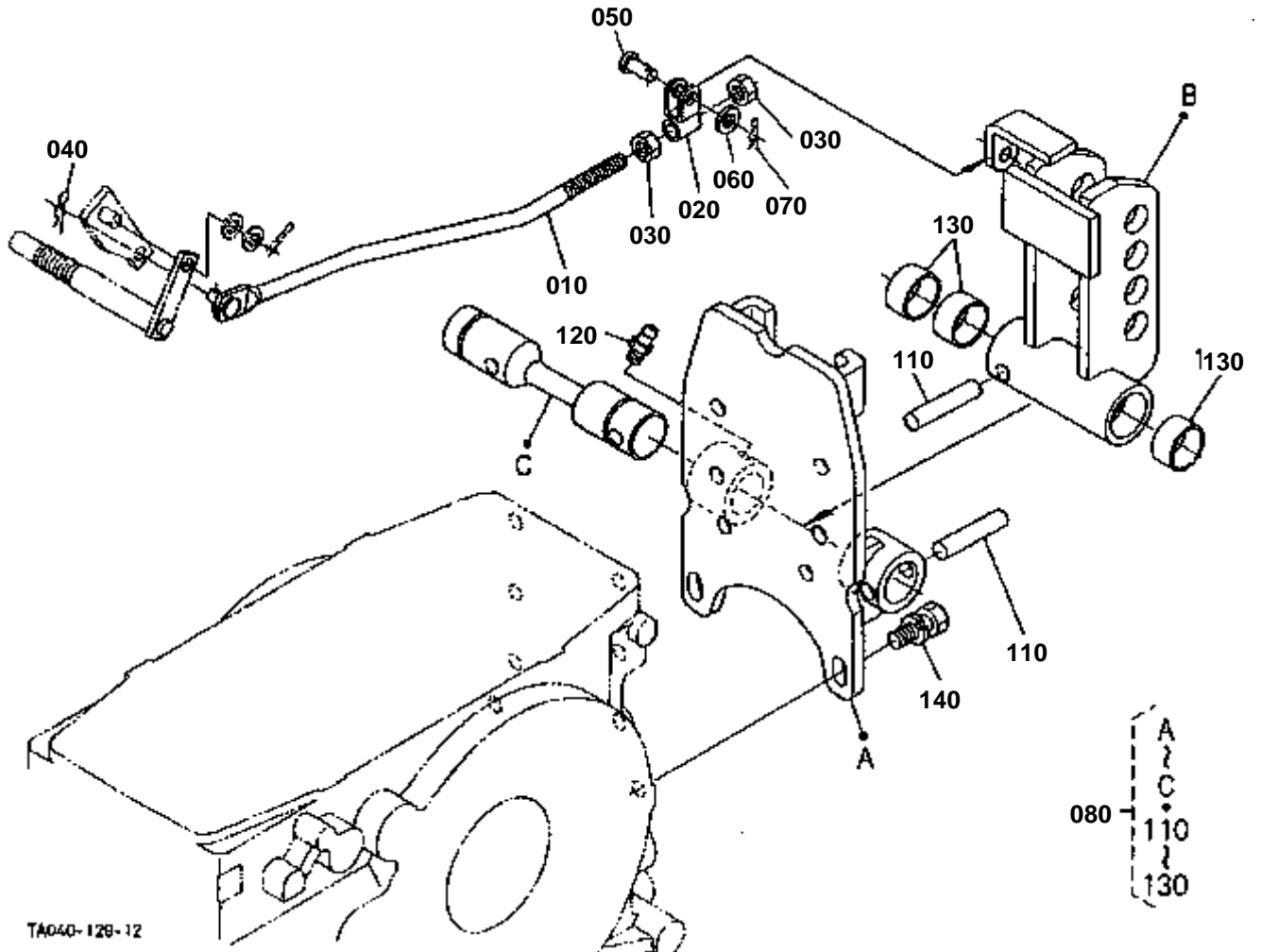


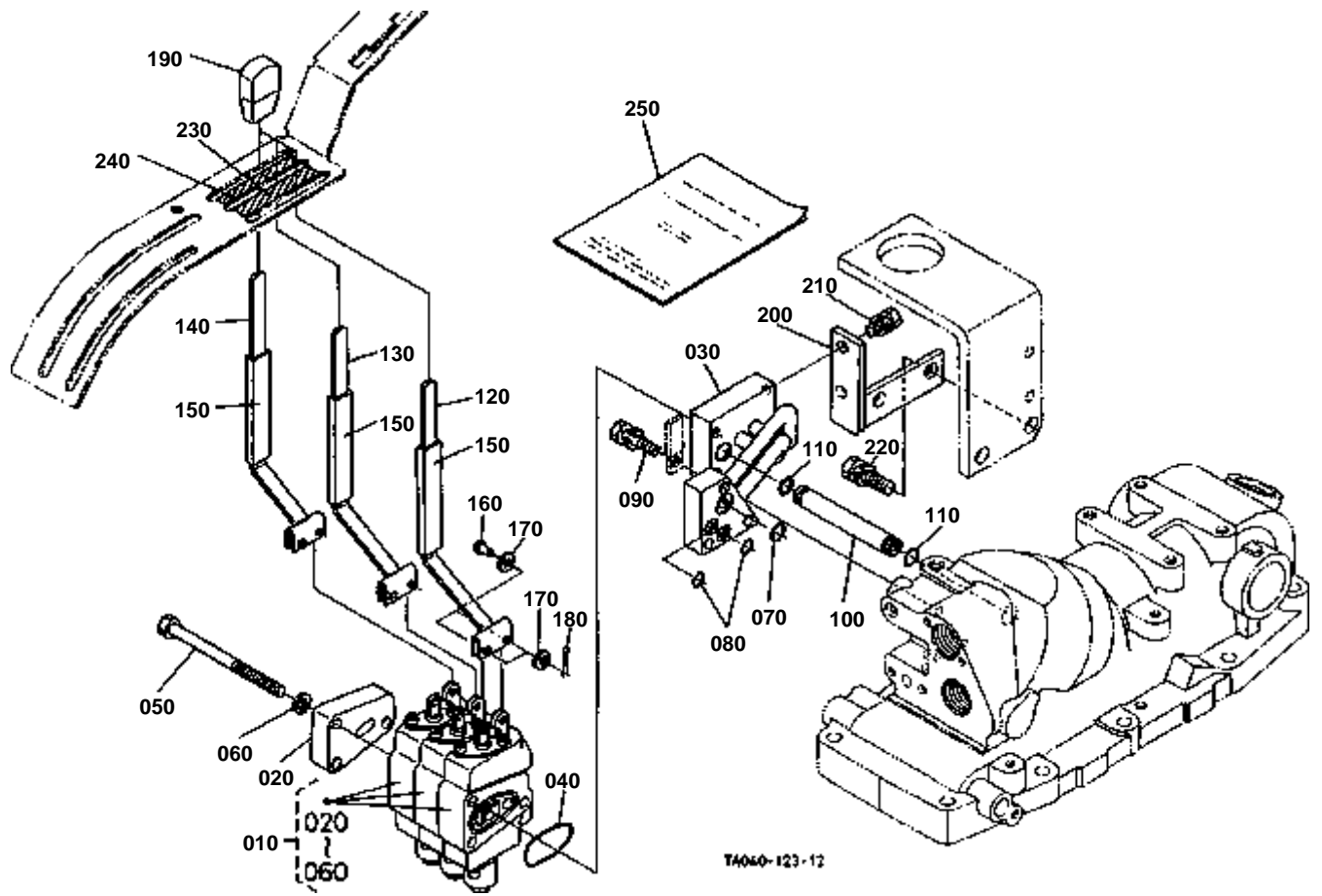
TA140-855-11



TA190-062-10

TOP LINK HOLDER (WITH DRAFT) [OPTION]





CLICK HERE TO **DOWNLOAD** THE COMPLETE MANUAL

- Thank you very much for reading the preview of the manual.
- You can download the complete manual from: www.heydownloads.com by clicking the link below



- Please note: If there is no response to CLICKING the link, please download this PDF first and then click on it.

CLICK HERE TO **DOWNLOAD** THE COMPLETE MANUAL