

Instructions for Parts Books

The heading at the top of the page will be the same for the picture of the parts as it is for the page with the part numbers.

Definition of column headings on part number pages:

REF.No → The number referring to the part on the picture page of the parts book.

Part No. → The number assigned to this part at the time of printing the parts book.

Description → Description of part.

Q'ty → Quantity of part used on that page.

S.No. → Serial number range of the equipment that this part will fit.

>= Your serial number should be greater than or equal to the number shown.

<= Your serial number should be lesser than or equal to the serial number shown.

I/C → Interchangeability of part shown.

↔ The part shown will work for the older and later serial number.

The part shown is not interchangeable with the other serial number.

← new for old

→ old for new

Remarks → Notes about this particular part. Sometimes this may say except [FR] or [CA]

Note about Country Codes:

The parts books we use in the United States of America may also contain information about a part that would be different in another country. It is important that you are aware of the country codes in some instances.

Symbol	Country
A	United States of America
CA	Canada
FR	France
GR	Greece
PO	Portugal
AU	Australia

If the remarks column says for example EXCEPT [FR] this part works in all countries except France. That means it will work here in the USA.

CLICK HERE TO **DOWNLOAD** THE COMPLETE MANUAL

- Thank you very much for reading the preview of the manual.
- You can download the complete manual from: www.heydownloads.com by clicking the link below



- Please note: If there is no response to CLICKING the link, please download this PDF first and then click on it.

CLICK HERE TO **DOWNLOAD** THE COMPLETE MANUAL



CYLINDER HEAD

↔ Interchangeable; ≠ not interchangeable; ← new for old; → old for new

REF.No	Part No.	Description	Q'ty	S.No.	I/C	REMARKS	Weight (kgf)	Weight (lb)
001	15511-03040	ASSY CYLINDER HEAD	1				0	0
002	99999-99999	BLANK	0			ORDER BY REF.No.001	0	0
002	99999-99999	BLANK	1			ORDER BY REF.No.001	0	0
003	15221-03370	CAP SEALING	9				0.01	0.022
004	15221-03490	CAP SEALING	1				0.02	0.044
005	15261-96010	PLUG	2				0.002	0.0044
006	15221-13580	GUIDE VALVE	3				0	0
007	15601-13560	GUIDE EXHAUST VALVE	3				0	0
008	19202-03450	BOLT HEAD	12				0.065	0.143
009	19202-03410	STUD HEAD	2				0.065	0.143
010	19202-03510	NUT HEAD	2				0.012	0.0264
011	99999-99999	BLANK	0				0	0
012	15301-03310	GASKET HEAD	1				0	0
013	15301-03320	SHIM HEAD GASKET	1				0.06	0.132
014	15221-01750	HOOK ENGINE	2				0.04	0.088
015	01123-50816	BOLT	1				0.011	0.0242
016	15521-91490	STUD	1				0	0
017	02156-50080	NUT	1				0.004	0.0088
018	04512-50080	WASHER SPRING	1				0	0
019	15000-36080	PLUG	1				0.03	0.066
020	04717-01600	WASHER SEAL	1				0.003	0.0066



HEAD COVER

↔ Interchangeable; ≠ not interchangeable; ← new for old; → old for new

REF.No	Part No.	Description	Q'ty	S.No.	I/C	REMARKS	Weight (kgf)	Weight (lb)
001	15521-14510	COVER CYLINDER HEAD	1				1.22	2.684
002	15521-14520	GASKET HEAD COVER	1				0.035	0.077
003	15451-92330	NUT CAP	3				0.015	0.033
004	15021-33660	GASKET	3				0.001	0.0022
005	15221-66630	COVER DECOMP.HOLE	3				0.035	0.077
006	15221-66640	GASKET COVER	3				0	0
007	01023-50614	BOLT	6				0.005	0.011
008	15221-33140	PLUG OIL FILLER	1				0.038	0.0836
009	04811-50300	O RING	1				0.001	0.0022
010	99999-99999	BLANK	0				0	0
011	15221-66190	HOLDER DECOMP.WIRE	1				0.055	0.121
012	01023-50614	BOLT	2				0.005	0.011
013	15221-66280	SPRING DECOMPRESS	1				0.008	0.0176
014	15521-66040	ASSY SHAFT DECOMPRES	1				0.385	0.847
015	99999-99999	BLANK	1			ORDER BY REF.No.014	0	0
016	99999-99999	BLANK	1			ORDER BY REF.No.014	0	0
017	15221-66350	BOLT DECOMPRESS	3				0.005	0.011
018	15221-66360	NUT DECOMPRESS	3				0.003	0.0066
019	04811-06100	O RING	1				0.001	0.0022
020	15221-66410	BOLT	1				0.005	0.011
021	04512-50060	WASHER SPRING	1				0	0
022	15521-05140	PLATE BREATHER ELEME	1				0.005	0.011
023	15521-05150	PLATE BREATHER ELEME	1				0.01	0.022
024	15521-05670	ELEMENT BREATHER	1				0.01	0.022
025	15521-05370	OIL SEIELD BREATHER	1				0.005	0.011
026	15521-93310	SCREW	2				0	0
027	15521-05550	JOINT BREATHER PIPE	1				0.04	0.088
028	15521-05510	PIPE BREATHER	1				0.075	0.165
029	15401-05580	CLAMP PIPE	1				0.02	0.044
030	15341-05590	CLAMP PIPE	1				0.003	0.0066
031	01173-51220	BOLT	1				0.03	0.066



STARTER SECTION PARTS

↔ Interchangeable; ≠ not interchangeable; ← new for old; → old for new

REF.No	Part No.	Description	Q'ty	S.No.	I/C	REMARKS	Weight (kgf)	Weight (lb)
001	15321-63010	ASSY STARTER	1				0	0
002	15321-63030	DRIVE END FRAME	1				1.47	3.234
003	15321-96160	PLUG BELCH	1				0.001	0.0022
004	17016-63250	BUSH	1				0.006	0.0132
005	15321-91370	BOLT SET	1				0	0
006	15221-91020	BOLT	2				0.01	0.022
007	15221-63050	LEVER DRIVE	1				0.044	0.0968
008	15321-63020	SWITCH MAGNET	1				0.65	1.43
009	15321-63040	CLUTCH	1				0.314	0.6908
010	15321-63070	ARMATURE	1				2.2	4.84
011	15221-94820	PIN SNAP	1				0.001	0.0022
012	15321-63230	COLLAR	1				0	0
013	15321-63082	YOKE	1				0	0
014	15221-91380	BOLT SET	2				0.008	0.0176
014	15321-91390	BOLT SET	2				0.009	0.0198
015	15321-96680	GASKET	1				0.004	0.0088
016	15321-63090	COIL FIELD	1				0.64	1.408
017	15321-63370	BRUSH	2				0.008	0.0176
018	15321-63360	BRUSH	2				0.008	0.0176
019	15321-63380	HOLDER BRUSH	1				0.103	0.2266
020	15221-63390	SPRING BRUSH	4				0.003	0.0066
021	15341-63320	BOLT THROUGH	2				0.035	0.077
022	15321-63200	END FRAME	1				0.28	0.616
023	15221-63250	BUSH	1				0.006	0.0132
023	15321-63970	BUSH	1				0.006	0.0132
023	15321-63980	BUSH	1				0.006	0.0132
024	15221-96670	GASKET	1				0.001	0.0022
025	15321-63490	SPRING RETURN	1				0.006	0.0132
026	15321-94030	WASHER	1				0.002	0.0044
027	15321-63510	CAP END FRAME	1				0.01	0.022
028	15321-63480	HOLDER SPRING	1				0.005	0.011
029	15341-63060	BEARING CENTER	1				0	0
030	15321-94010	WASHER PLAIN	1				0.001	0.0022



GOVERNOR

↔ Interchangeable; ≠ not interchangeable; ← new for old; → old for new

REF.No	Part No.	Description	Q'ty	S.No.	I/C	REMARKS	Weight (kgf)	Weight (lb)
001	15601-56020	ASSY LEVER GOVERNOR	1				0.055	0.121
002	15521-56050	ASSY LEVER FORK	1				0.41	0.902
003	15521-56040	ASSY LEVER FORK	1				0.195	0.429
004	99999-99999	BLANK	1			ORDER BY REF.No.003	0	0
005	99999-99999	BLANK	2			ORDER BY REF.No.003	0	0
006	99999-99999	BLANK	1			ORDER BY REF.No.003	0	0
007	99999-99999	BLANK	1			ORDER BY REF.No.003	0	0
008	99999-99999	BLANK	1			ORDER BY REF.No.003	0	0
009	15611-56130	LEVER FORK 2	1				0.07	0.154
010	15221-56150	SHAFT FORK LEVER	1				0.1	0.22
011	15021-56240	BOLT LEVER SHAFT	1				0.005	0.011
012	04512-50060	WASHER SPRING	2				0	0
013	15221-56230	HOLDER FORK LEVER	1				0.1	0.22
014	15221-66410	BOLT	1				0.005	0.011
015	01123-50832	BOLT	2				0.016	0.0352
016	01023-50628	BOLT	1				0.015	0.033
017	04012-50080	WASHER SPRING	2				0.001	0.0022
018	04012-50060	WASHER SPRING	1				0.001	0.0022
019	15601-56480	SPRING START	1				0.002	0.0044
020	15521-56410	SPRING GOVERNOR 1	1				0	0
021	15521-56420	SPRING GOVERNOR 2	1				0.002	0.0044





RADIATOR

↔ Interchangeable; ≠ not interchangeable; ← new for old; → old for new

REF.No	Part No.	Description	Q'ty	S.No.	I/C	REMARKS	Weight (kgf)	Weight (lb)
001	15575-72060	ASSY RADIATOR	1				6	13.2
002	99999-99999	BLANK	1			ORDER BY REF.No.001	0	0
003	15101-72030	CAP RADIATOR	1				0.075	0.165
004	15231-72710	PIPE WATER OVER FLOW	1				0	0
005	14412-73110	COCK DRAIN	1				0.09	0.198
006	15321-72250	NET RADIATOR	1				1.6	3.52
007	01023-50614	BOLT	4				0.005	0.011
008	01023-50612	BOLT	4				0.005	0.011
009	04013-50060	WASHER PLAIN	3				0	0
010	15021-72040	WHISTLE STEAM	1				0.03	0.066



OIL HYDRAULIC PUMP

↔ Interchangeable; ≠ not interchangeable; ← new for old; → old for new

REF.No	Part No.	Description	Q'ty	S.No.	I/C	REMARKS	Weight (kgf)	Weight (lb)
001	38240-76100	PUMP OIL PRESSURE	1				2	4.4
002	35260-37850	HOLDER O/P PUMP	1				1.45	3.19
003	35260-37830	GEAR HELICAL 21	1				0.15	0.33
004	08241-05205	BEARING BALL	1				0.177	0.3894
005	04612-00350	CIR-CLIP EXTERNAL	1				0.01	0.022
006	35260-37790	COLLAR	1				0.08	0.176
007	34150-37862	GASKET	1				0	0
008	34150-37870	GASKET	1				0	0
009	01513-50820	STUD	2				0	0
010	01123-50845	BOLT	2				0.02	0.044
011	01123-50822	BOLT	2				0.012	0.0264
012	01123-50828	BOLT	2				0.014	0.0308
013	04012-50080	WASHER PLAIN	4				0.001	0.0022
014	04512-50080	WASHER SPRING	2				0	0
015	02156-50080	NUT	2				0.004	0.0088
016	34150-37820	COLLAR	1				0.05	0.11
017	35260-37810	GEAR HELICAL 47	1				0.35	0.77
018	04612-00250	CIR-CLIP EXTERNAL	1				0.002	0.0044
019	35260-37870	STAY RH	1				0.13	0.286

**MID CASE**

↔ Interchangeable; ≠ not interchangeable; ← new for old; → old for new

REF.No	Part No.	Description	Q'ty	S.No.	I/C	REMARKS	Weight (kgf)	Weight (lb)
001	35340-14140	GASKET	2				0.01	0.022
002	35260-21153	CASE MID	1				12.25	26.95
003	06311-45030	PLUG	1				0.06	0.132
004	04717-01700	WASHER SEAL	1				0.003	0.0066
005	06311-25010	PLUG	1				0.014	0.0308
006	04717-01000	WASHER SEAL	1				0.001	0.0022
007	34150-14260	PLUG DRAIN	1				0	0
008	04717-02150	WASHER SEAL	1				0.004	0.0088
009	38430-21410	PLUG	1				0.045	0.099
010	04811-50300	O RING	1				0.001	0.0022
011	38240-14210	GAUGE OIL	1				0.01	0.022
012	05012-01018	PIN STRAIGHT	2				0.012	0.0264
013	05012-01022	PIN STRAIGHT	2				0.014	0.0308
014	32210-27580	PLUG BLIND	6				0.001	0.0022
015	01173-51065	BOLT	7				0.04	0.088
016	04512-50100	WASHER SPRING	7				0	0
017	01133-51040	BOLT	1				0.03	0.066
018	35260-14180	STUD	3				0.14	0.308
019	04512-50120	WASHER SPRING	8				0	0
020	35340-27360	NUT	8				0.015	0.033
021	34150-14160	COVER HOUSING	1				0.15	0.33
022	34150-14170	GASKET HOUSING	1				0.03	0.066
023	01120-50816	BOLT	1				0	0
024	01150-50825	BOLT	1				0	0
025	02114-50080	NUT	1				0.005	0.011



MAIN SHIFT LEVER

↔ Interchangeable; ≠ not interchangeable; ← new for old; → old for new

REF.No	Part No.	Description	Q'ty	S.No.	I/C	REMARKS	Weight (kgf)	Weight (lb)
001	38430-21210	COVER S-CHANGE	1				1.1	2.42
002	34650-59140	GASKET	1				0	0
003	34150-21250	PLUG	7				0.002	0.0044
004	01123-50840	BOLT	4				0.018	0.0396
005	01153-50840	BOLT	1				0.018	0.0396
006	07715-00803	BALL	2				0.004	0.0088
007	04717-00800	WASHER SEAL	1				0.001	0.0022
008	35260-23710	BASE SPEED CHANGE	1				0.39	0.858
009	38430-23720	RING SQUARE	1				0.005	0.011
010	34150-23740	PIN SET	4				0.002	0.0044
011	01120-50822	BOLT	5				0	0
012	01153-50865	BOLT	1				0.025	0.055
013	04512-50080	WASHER SPRING	1				0	0
014	35260-23810	LEVER MAIN S-CHANGE	1				0.355	0.781
015	35260-23820	LEVER SHUTTLE	1				0.4	0.88
016	32150-23860	GRIP LEVER	1				0.037	0.0814
017	38240-24920	GRIP LEVER	1				0.04	0.088
018	34150-23940	SHIELD LEVER	2				0.025	0.055
019	04811-00120	O RING	2				0.001	0.0022
020	32240-23950	WASHER	4				0.002	0.0044
021	32240-23920	SPRING	2				0.007	0.0154
022	31220-23930	CIR-CLIP EXTERNAL	2				0.001	0.0022
023	34150-23870	SHIELD	2				0	0



SPIRAL BEVEL PINION

↔ Interchangeable; ≠ not interchangeable; ← new for old; → old for new

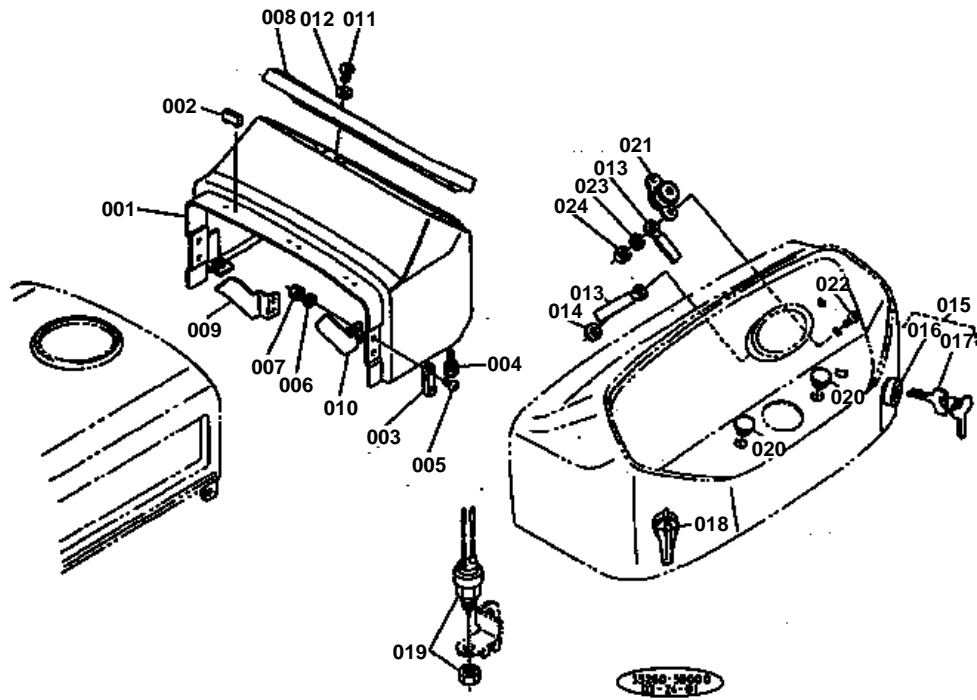
REF.No	Part No.	Description	Q'ty	S.No.	I/C	REMARKS	Weight (kgf)	Weight (lb)
001	35260-21910	SHAFT 13GEAR	1				0.76	1.672
002	37150-21550	CIR-CLIP EXTERNAL	1				0.06	0.132
003	35260-21920	GEAR 27	1				0.46	1.012
004	08101-06305	BEARING BALL	1				0.23	0.506
005	37150-21940	COLLAR	1				0.05	0.11
006	08151-06305	BEARING BALL	1				0.233	0.5126
007	34150-21942	RETAINER BEARING	1				0.035	0.077
008	01123-50820	BOLT	1				0.011	0.0242
009	99999-99999	BLANK	1			ORDER BY REF.No.017 ON FIG.No.063	0	0
010	04612-00300	CIR-CLIP EXTERNAL	1				0.003	0.0066
011	35260-21950	GEAR 23-46	1				1.13	2.486
012	31220-22340	NUT 22	1				0.033	0.0726
013	34150-22610	SHIM 0.5	2				0.01	0.022
013	34150-22620	SHIM 0.2	4				0.005	0.011
013	34150-22630	SHIM 0.1	2				0.005	0.011
014	34150-22170	COVER BEARING	1				0.16	0.352
015	01133-51035	BOLT	4				0.03	0.066
016	01123-50816	BOLT	2				0.011	0.0242



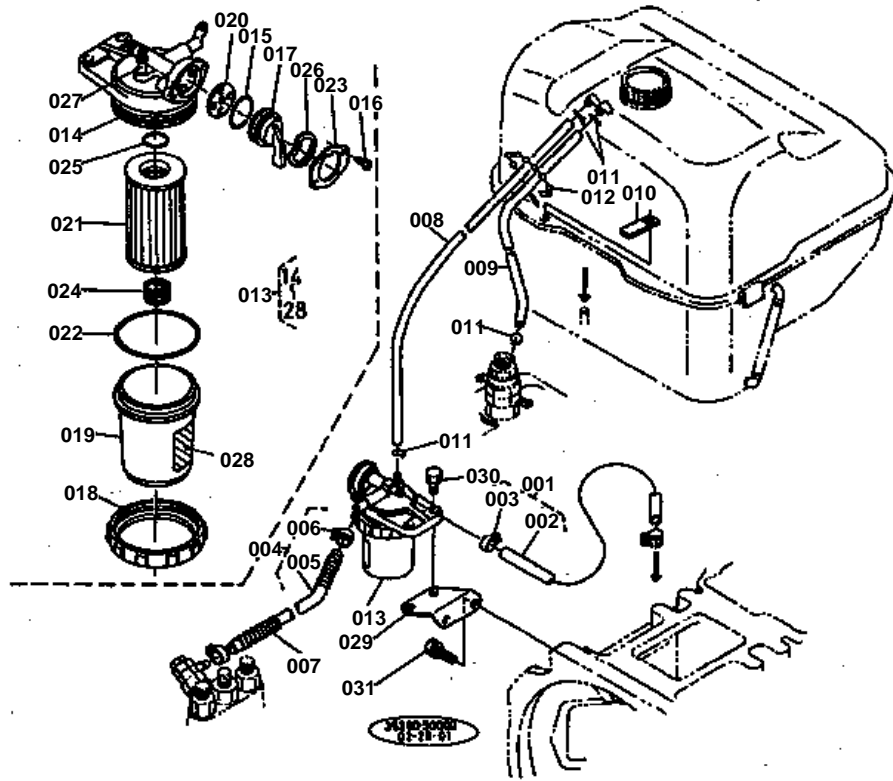
DIFFERENTIAL LOCK PEDAL

↔ Interchangeable; ≠ not interchangeable; ← new for old; → old for new

REF.No	Part No.	Description	Q'ty	S.No.	I/C	REMARKS	Weight (kgf)	Weight (lb)
001	34150-26615	SHIFTER DIFF LOCK	1				0.4	0.88
002	37150-26160	SHIM 0.2	12				0.005	0.011
002	37150-26170	SHIM 0.1	8				0.005	0.011
002	37150-26180	SHIM 0.5	4				0.01	0.022
003	01133-51030	BOLT	8				0.025	0.055
004	37150-26630	FORK SHIFT	1				0.375	0.825
005	37150-26643	SPRING	1				0.033	0.0726
006	37150-26660	SPRING	1				0.025	0.055
007	01120-50816	BOLT	1				0	0
008	37300-26650	PEDAL DIFF LOCK	1				0.635	1.397
009	35210-26670	BRACKET PEDAL	1				0.59	1.298
010	37300-26680	CAM DIFF LOCK	1				0.252	0.5544
011	35110-26660	PLATE	1				0.004	0.0088
012	05122-50835	PIN JOINT	1				0.015	0.033
013	04015-50060	WASHER PLAIN	1				0	0
014	01202-50610	BOLT	1				0.004	0.0088
015	05411-00630	PIN SPRING	1				0.004	0.0088
016	09500-16287	SEAL OIL	2				0.01	0.022
017	38220-26710	SHAFT DIFF GEAR RH	1	≤10454		(2WD)	2.6	5.72
017	35260-26710	SHAFT DIFF GEAR RH	1	≥10455		(2WD)	2.6	5.72
017	38220-26710	SHAFT DIFF GEAR RH	1	≤10431		(4WD)	2.6	5.72
017	35260-26710	SHAFT DIFF GEAR RH	1	≥10432		(4WD)	2.6	5.72
018	38220-26720	SHAFT DIFF GEAR LH	1	≤10454		(2WD)	2.8	6.16
018	35260-26720	SHAFT DIFF GEAR LH	1	≥10455		(2WD)	2.9	6.38
018	38220-26720	SHAFT DIFF GEAR LH	1	≤10431		(4WD)	2.8	6.16
018	35260-26720	SHAFT DIFF GEAR LH	1	≥10432		(4WD)	2.9	6.38
019	08101-06307	BEARING BALL	1				0.44	0.968



FUEL FILTER



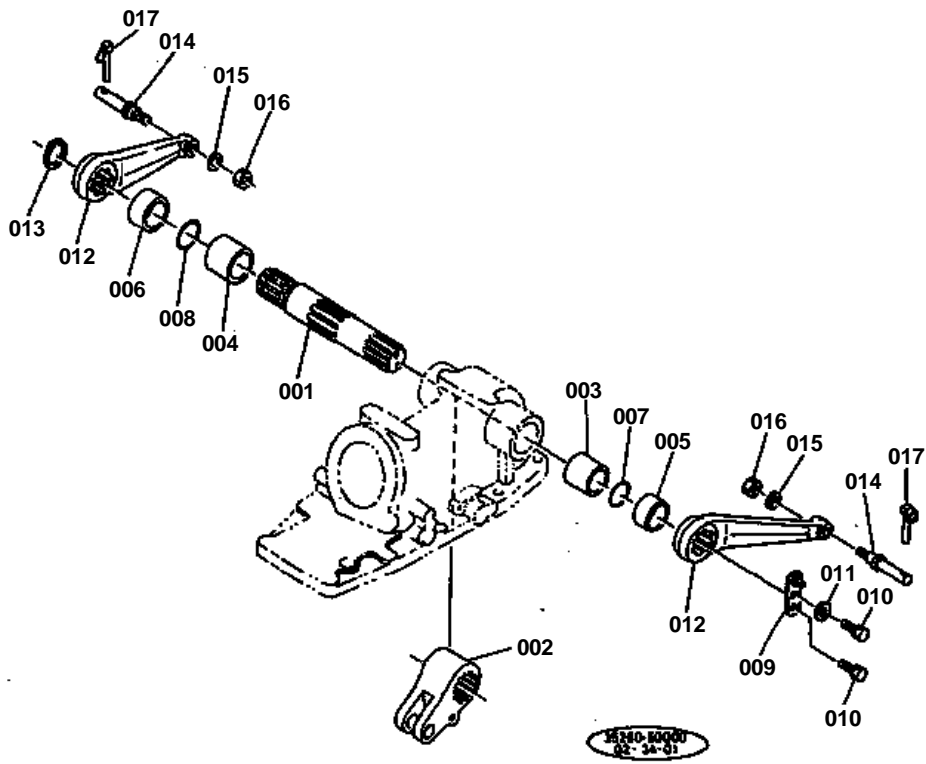
CLICK HERE TO **DOWNLOAD** THE COMPLETE MANUAL

- Thank you very much for reading the preview of the manual.
- You can download the complete manual from: www.heydownloads.com by clicking the link below

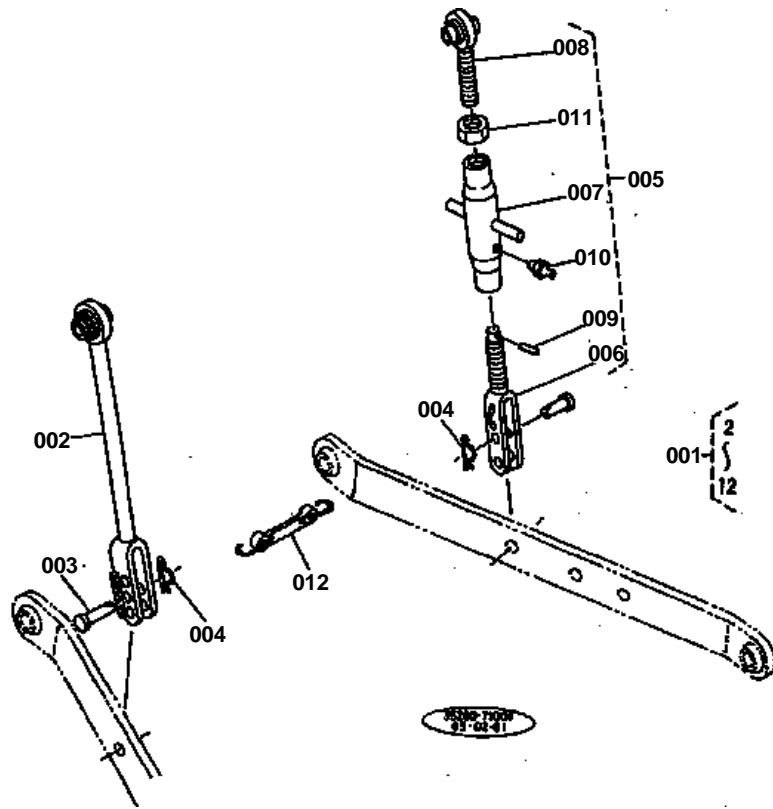


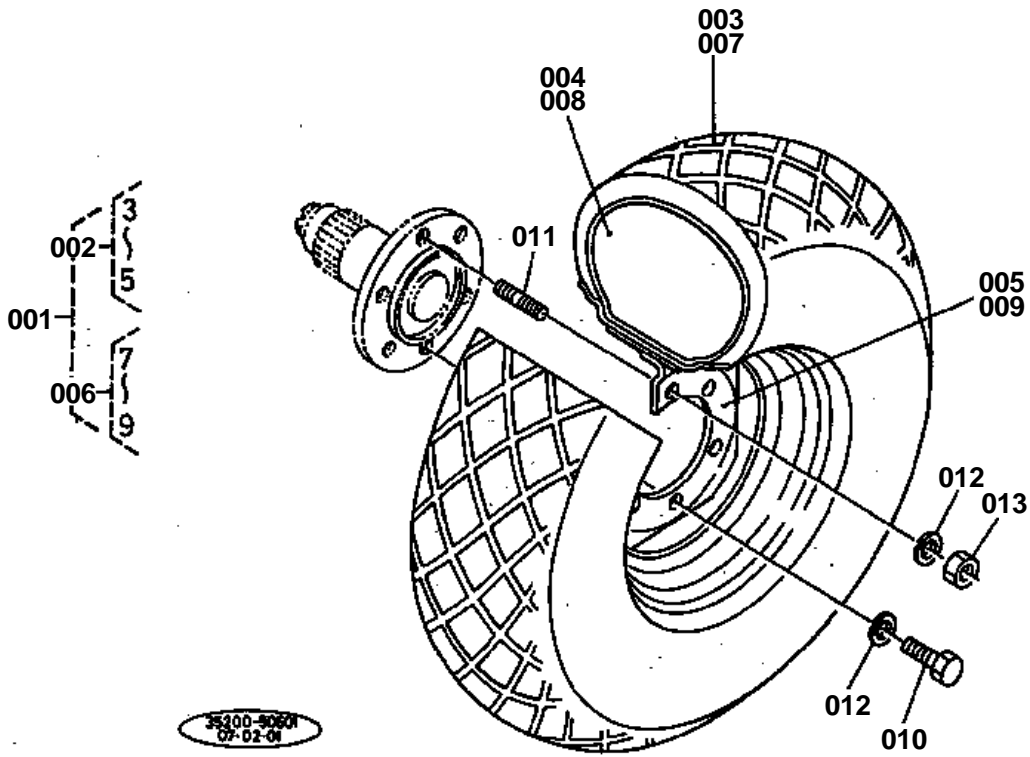
- Please note: If there is no response to CLICKING the link, please download this PDF first and then click on it.

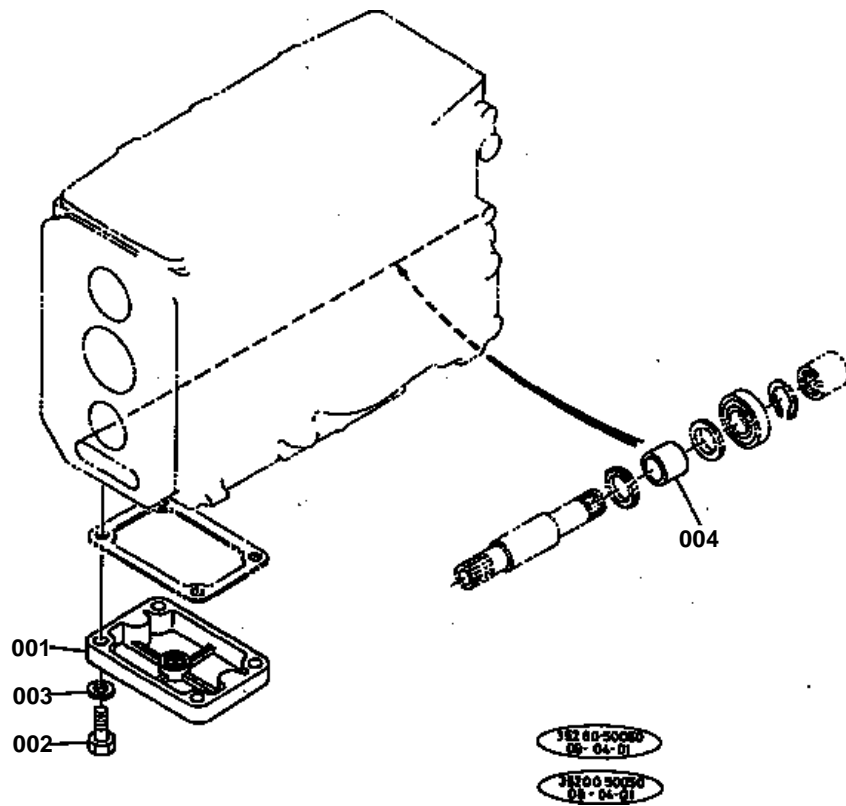
CLICK HERE TO **DOWNLOAD** THE COMPLETE MANUAL

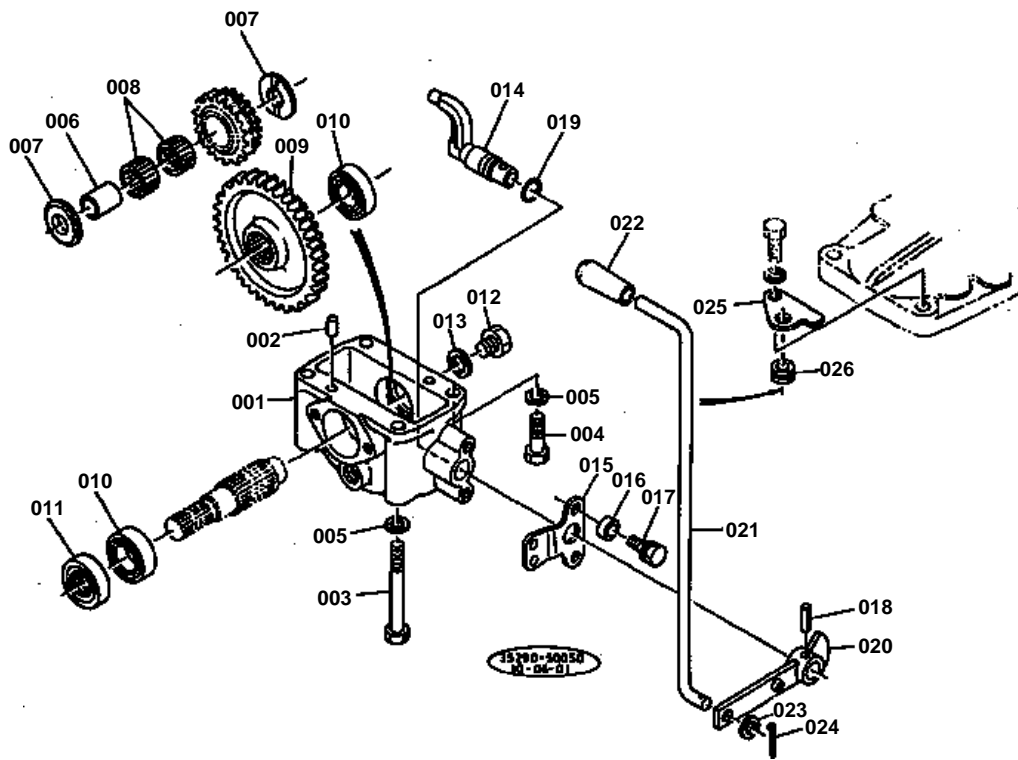


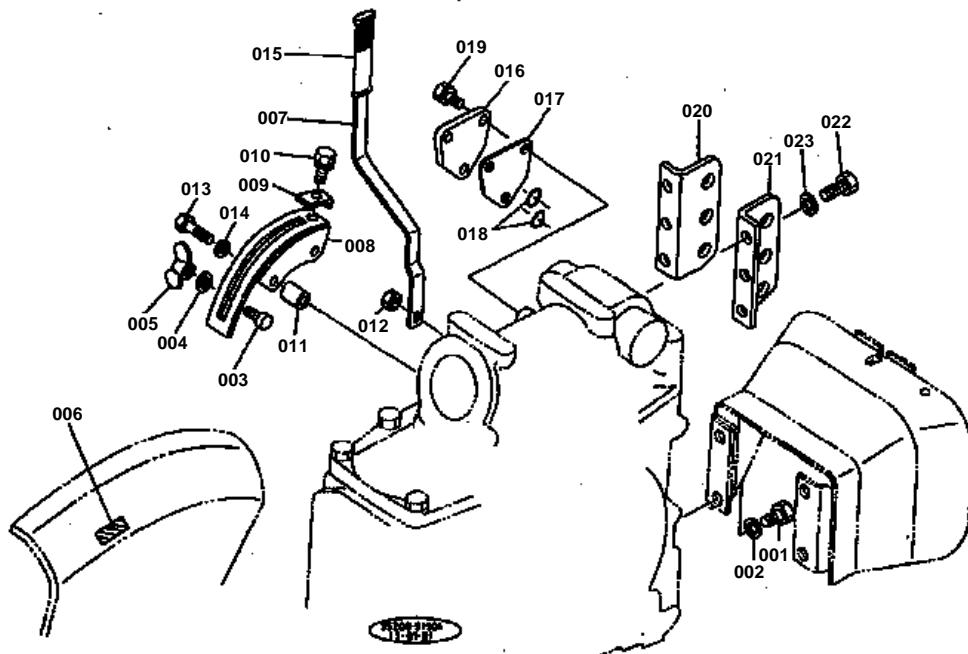
3-POINT LINK 2

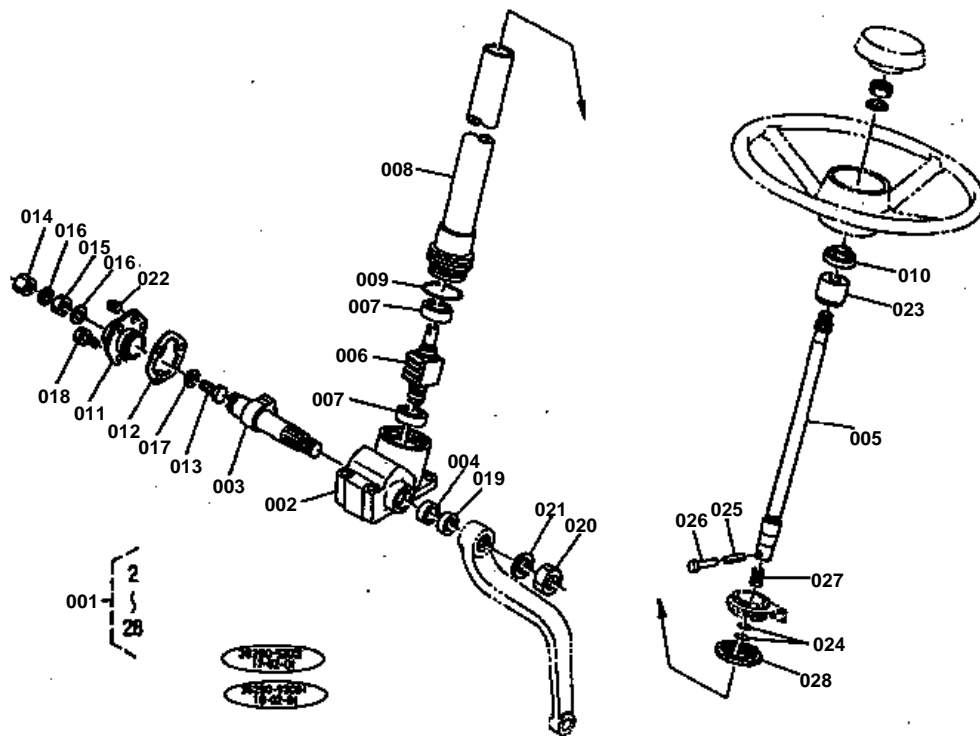


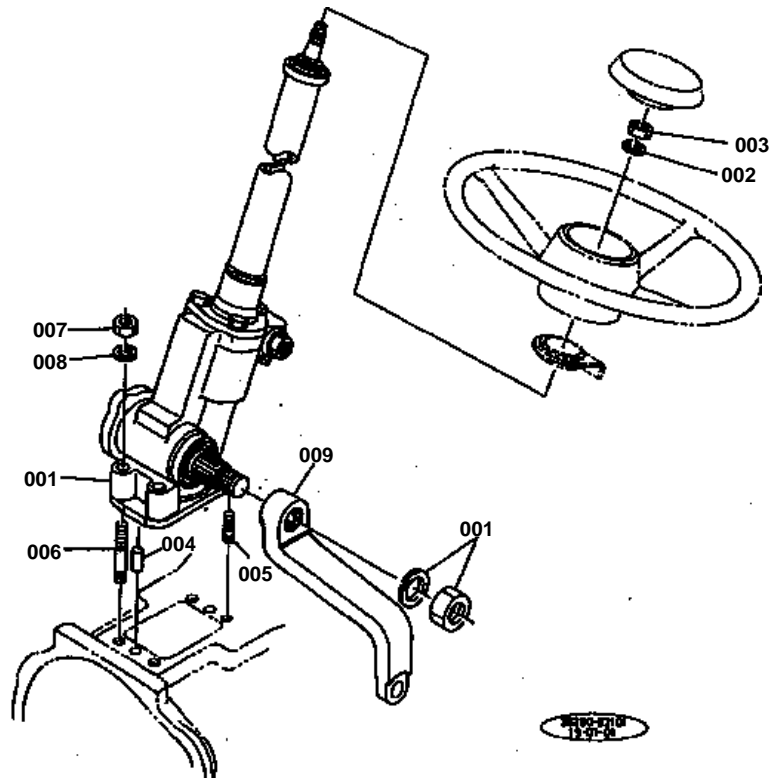




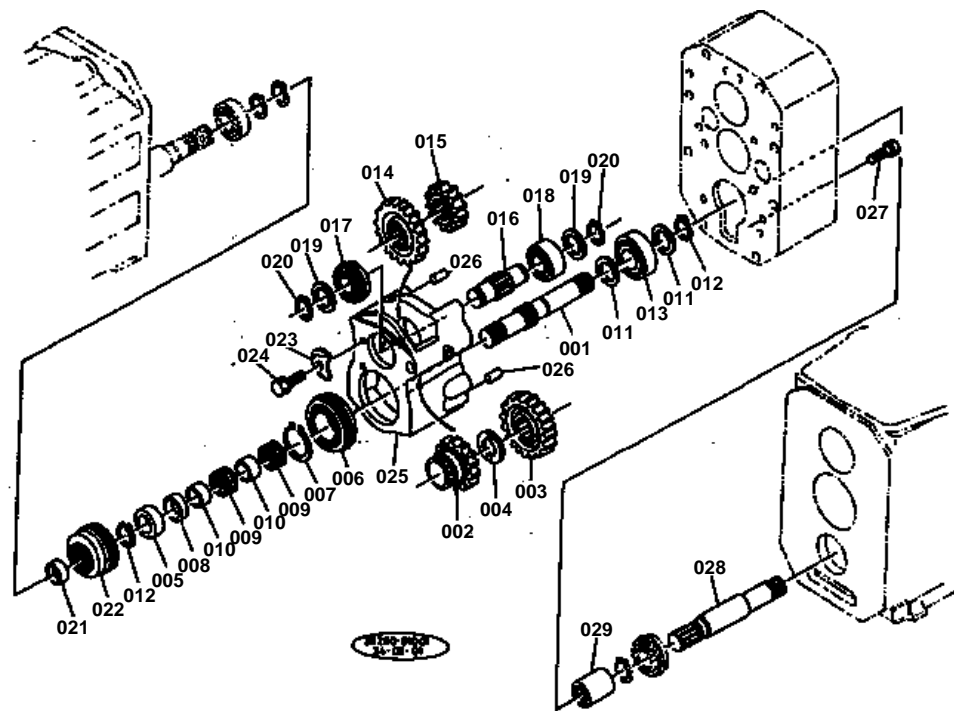




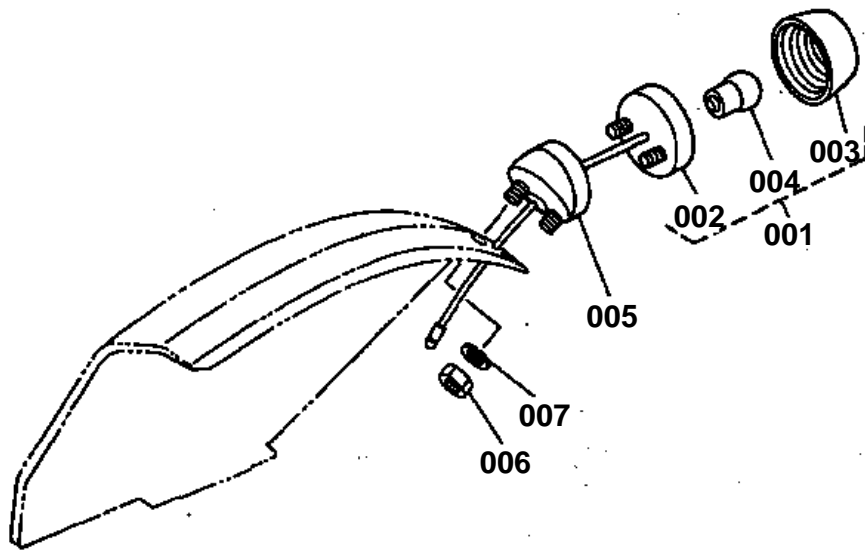




PTO GEAR CASE

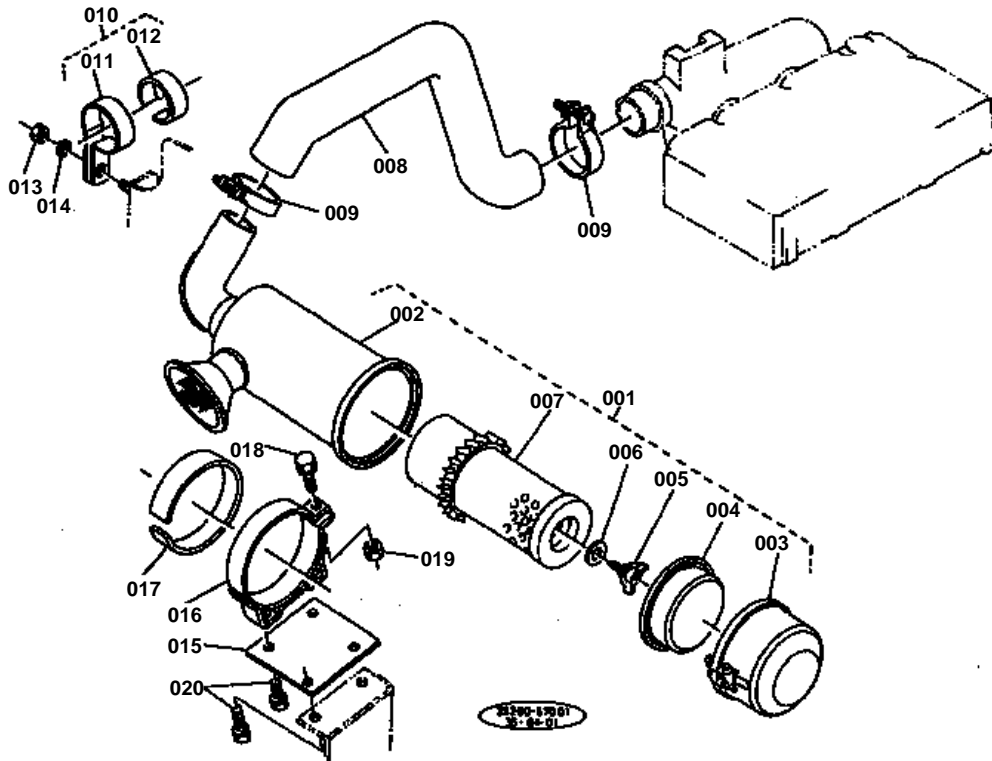


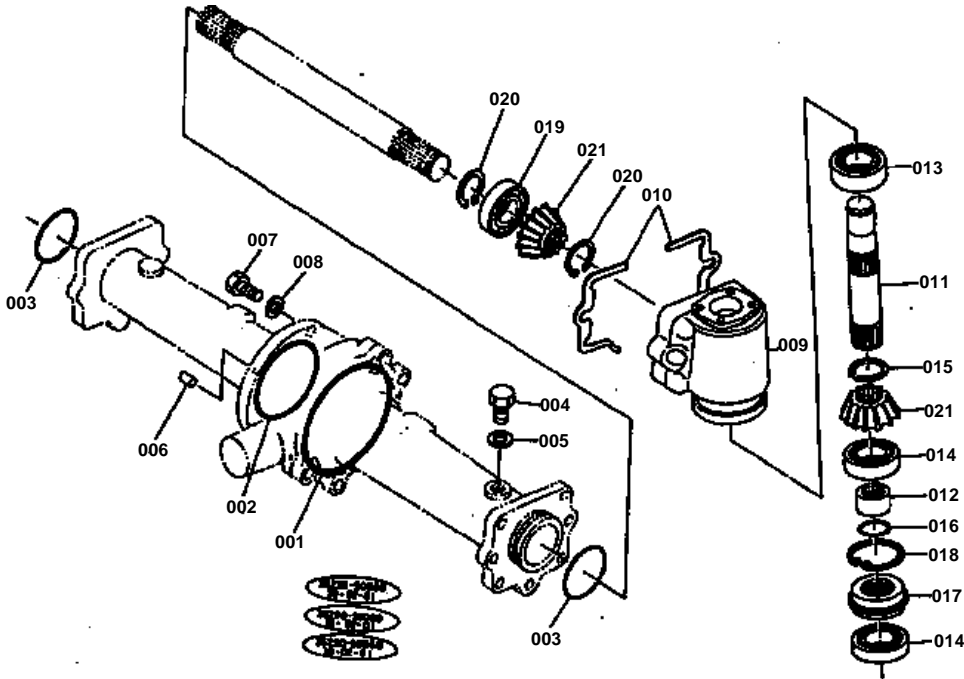
TAIL LAMP



35170-53901
29-01-01

AIR CLEANER





CLICK HERE TO **DOWNLOAD** THE COMPLETE MANUAL

- Thank you very much for reading the preview of the manual.
- You can download the complete manual from: www.heydownloads.com by clicking the link below



- Please note: If there is no response to CLICKING the link, please download this PDF first and then click on it.

CLICK HERE TO **DOWNLOAD** THE COMPLETE MANUAL