

Instructions for Parts Books

The heading at the top of the page will be the same for the picture of the parts as it is for the page with the part numbers.

Definition of column headings on part number pages:

REF.No → The number referring to the part on the picture page of the parts book.

Part No. → The number assigned to this part at the time of printing the parts book.

Part Name → Description of part.

Q'ty → Quantity of part used on that page.

S.No. → Serial number range of the equipment that this part will fit.

>= Your serial number should be greater than or equal to the number shown.

<= Your serial number should be lesser than or equal to the serial number shown.

I/C → Interchangeability of part shown.

= The part shown will work for the older and later serial number.

NI The part shown is not interchangeable with the other serial number.

Remarks → Notes about this particular part. Sometimes this may say except [FR] or [CA]

Note about Country Codes:

The parts books we use in the United States of America may also contain information about a part that would be

different in another country. It is important that you are aware of the country codes in some instances.

Symbol Country

A United States of America

CA Canada

FR France

GR Greece

PO Portugal

AU Australia

If the remarks column says for example EXCEPT [FR] this part works in all countries except France.

That means it will work here in the USA.

CLICK HERE TO **DOWNLOAD** THE COMPLETE MANUAL

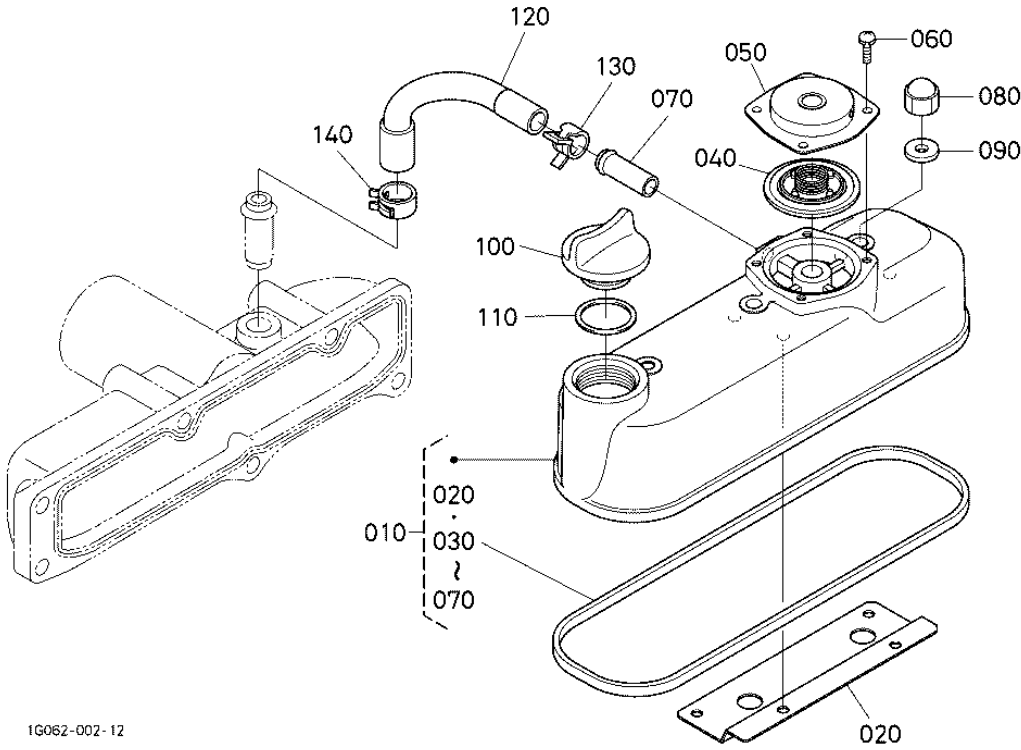
- Thank you very much for reading the preview of the manual.
- You can download the complete manual from: www.heydownloads.com by clicking the link below



- Please note: If there is no response to CLICKING the link, please download this PDF first and then click on it.

CLICK HERE TO **DOWNLOAD** THE COMPLETE MANUAL

HEAD COVER



1G062-002-12

HEAD COVER

Ref	Part Number	Part Name	Qty	IC	S/N	Lbs	Remarks
010	1G032-14504	ASSY COVER CYL.HEAD	1			1.738	
020	1G032-05370	SHIELD OIL BREATHER	1			0.066	
030	16261-14520	GASKET HEAD COVER	1			0.022	
040	1G911-05203	COMP.VALVE BREATHER	1			0.022	
050	1G801-05120	COVER BREATHER	1			0.077	
060	03024-50510	SCREW WITH WASHER	4			0.004	
070	17331-73342	PIPE WATER RETURN	1			0.022	

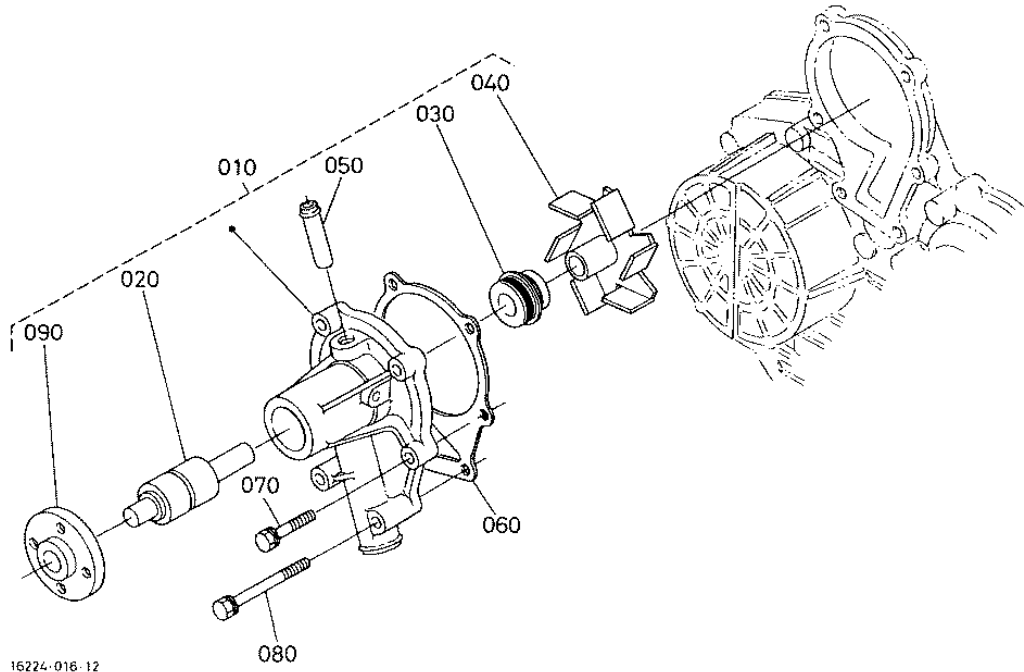
PISTON AND CRANKSHAFT

Ref	Part Number	Part Name	Qty	IC	S/N	Lbs	Remarks
220	1G069-21775	KIT PISTON-RING	3			1.43	STD
220	1G069-21794	KIT PISTON-RING	3			0.143	+0.50mm
230	1G069-23776	KIT METAL ENGINE	1			0.761	-0.40mm/+0.40mm
230	1G069-23755	KIT METAL ENGINE	1			0.704	STD
230	1G069-23766	KIT METAL ENGINE	1			0.712	-0.20mm/+0.20mm

GOVERNOR

Ref	Part Number	Part Name	Qty	IC	S/N	Lbs	Remarks
080	16241-56253	COVER FORK LEV.SHAFT	1			0.055	
090	16299-56260	GASKET	1			0.004	
100	01023-50612	BOLT	2			0.011	
110	16241-56210	COLLAR	1			0.017	
120	16241-56340	BEARING MINIATURIZE	1			0.015	

WATER PUMP

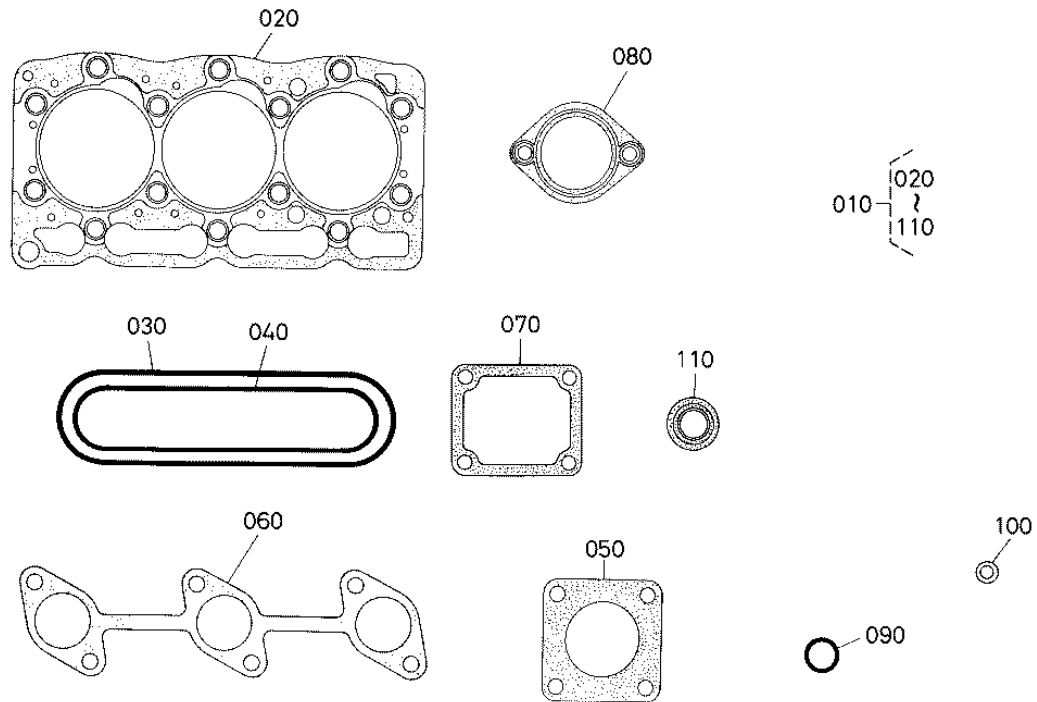


16224-018-12

WATER PUMP

Ref	Part Number	Part Name	Qty	IC	S/N	Lbs	Remarks
010	16251-73034	ASSY PUMP WATER	1			1.76	
020	16259-73552	BEARING	1			0.462	
030	1G642-73050	ASSY SEAL MECHANICAL	1			0.066	
040	16259-73512	IMPELLER WATER PUMP	1			0.198	
050	16241-73370	PIPE WATER RETURN	1			0.015	
060	16239-73430	GASKET WATER PUMP	1			0.015	
070	01023-50630	BOLT	4			0.017	

UPPER GASKET KIT

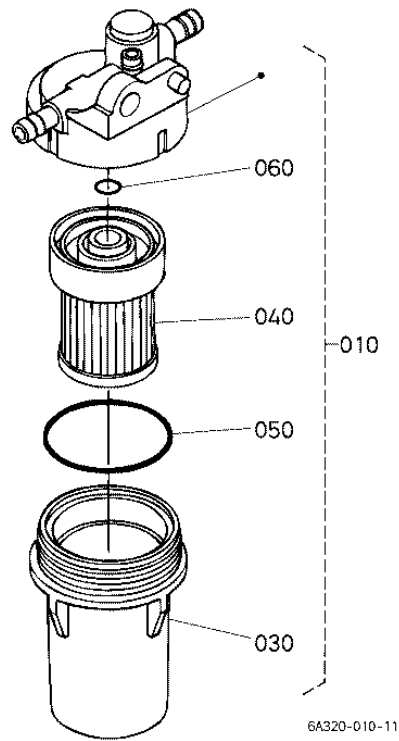


16054-001-10

UPPER GASKET KIT

Ref	Part Number	Part Name	Qty	IC	S/N	Lbs	Remarks
010	1G062-99350	KIT GASKET UPPER	1			0.649	
020	1G063-03310	GASKET CYLINDER HEAD	1			0.352	
030	16261-14520	GASKET HEAD COVER	1			0.022	
040	16261-11822	GASKET IN-MANIFOLD	1			0.022	
050	15263-12370	GASKET MUFFLER NA	1			0.033	
060	16261-12350	GASKET EX-MANIFOLD	1			0.041	
070	16264-72920	GASKET WATER FLANGE	1			0.002	

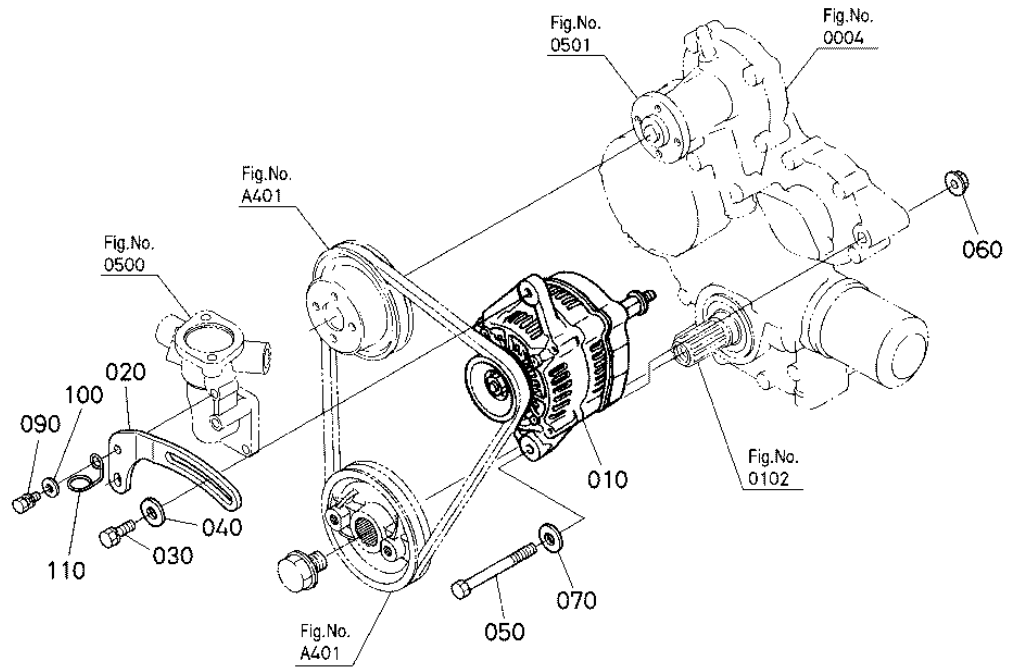
FUEL FILTER [COMPONENT PARTS]



FUEL FILTER [COMPONENT PARTS]

Ref	Part Number	Part Name	Qty	IC	S/N	Lbs	Remarks
010	6A320-58862	ASSY FILTER FUEL	1			0.198	
030	6A320-59920	CUP	1			0.066	
040	6A320-59930	FILTER	1			0.055	
050	6A320-59940	O-RING	1			0.002	
060	6A320-59950	O-RING	1			0.002	

ALTERNATOR



32741-010-10

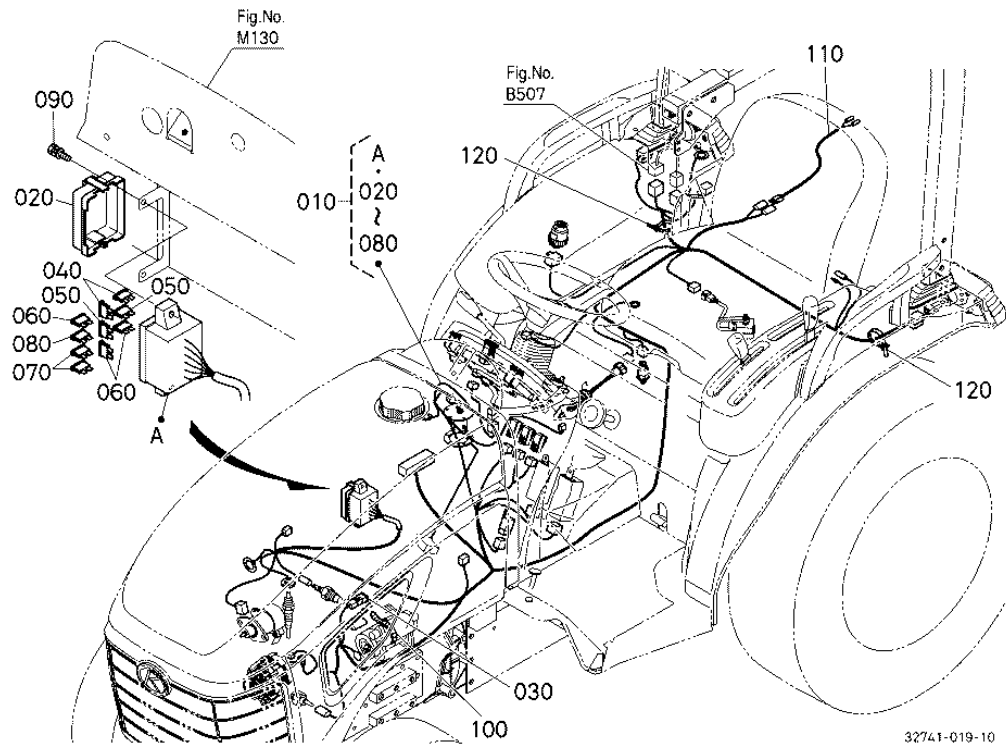
ALTERNATOR

Ref	Part Number	Part Name	Qty	IC	S/N	Lbs	Remarks
010	16241-64012	ASSY ALTERNATOR	1			6.6	
020	16241-64422	STAY DYNAMO	1			0.209	
030	01123-50825	BOLT	1			0.028	
040	04015-60080	WASHER PLAIN	1			0.022	
050	01173-51090	BOLT	1			0.121	
060	02131-50100	NUT	1			0.022	
070	04013-60100	WASHER PLAIN	1			0.006	

SWITCH

Ref	Part Number	Part Name	Qty	IC	S/N	Lbs	Remarks
080	01025-50612	BOLT	1			0.011	
090	T1060-33720	RELAY STARTER	3			0.044	
100	68881-53540	COMP.RELAY	1			0.088	
110	01754-50612	BOLT FLANGE	1			0.011	
120	TD060-47902	SWITCH SEAT	1			0.066	
130	31351-32830	SENSOR THERMO	1			0.044	
140	1A024-39010	SWITCH OIL	1			0.077	
150	32741-47293	STAY SEAT SWITCH	1			0.22	
160	01025-50616	BOLT	1			0.011	
170	01123-60816	BOLT	2			0.022	

ELECTRICAL WIRING (BODY)



32741-019-10

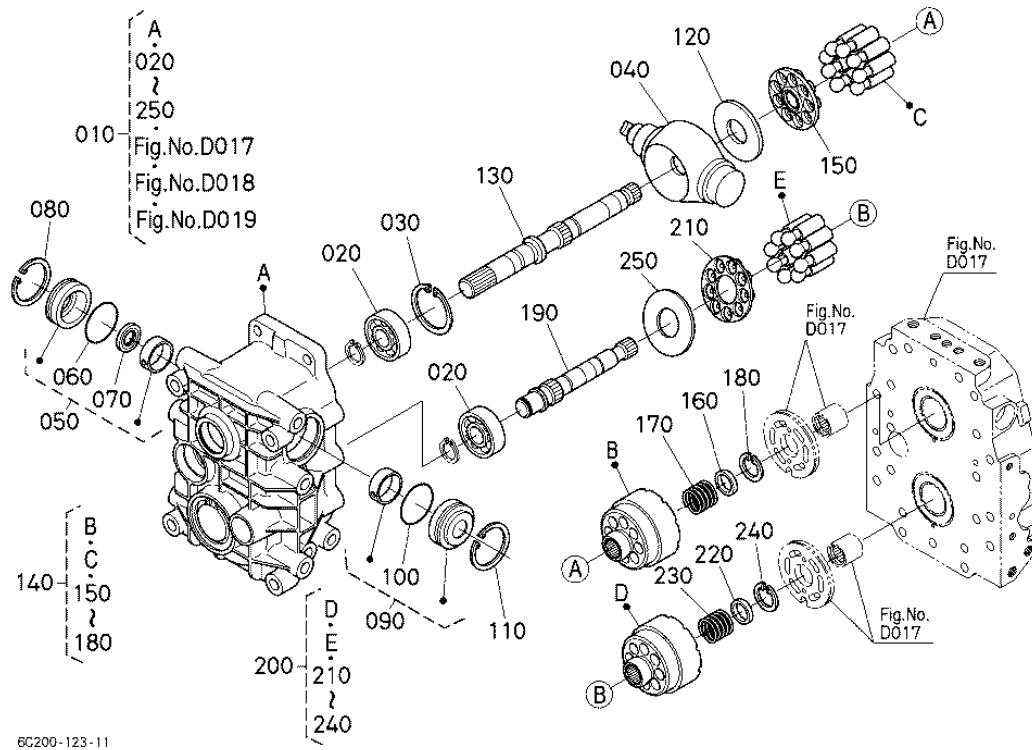
ELECTRICAL WIRING (BODY)

Ref	Part Number	Part Name	Qty	IC	S/N	Lbs	Remarks
010	32741-30402	ASSY WIRE HARNESS	1			0	
020	32741-30430	COVER FUSE CASE	1			0	
030	34670-34530	FUSE	1			0.006	40A
040	66426-80010	FUSE AUTO	2			0.022	5A
050	48100-55880	FUSE AUTO	2			0.022	10A
060	36919-56650	FUSE AUTO	3			0.004	20A
070	32741-30480	FUSE AUTO	2			0	25A

DIFFERENTIAL GEAR CASE

Ref	Part Number	Part Name	Qty	IC	S/N	Lbs	Remarks
080	01123-51030	BOLT	7			0.055	
090	01123-51050	BOLT	1			0.077	
100	6C200-11150	PIPE OIL GAUGE	1			0.088	
110	6C040-11160	GAUGE OIL	1			0.022	
120	04816-00120	O RING	2			0.002	
130	04816-00060	O RING	2			0.002	
140	6C200-11160	PIPE OIL GAUGE	1			0.11	
150	6C200-11190	HOSE	1			0.033	
160	09318-88155	CLAMP HOSE	2			0.011	

HST [COMPONENT PARTS] 1

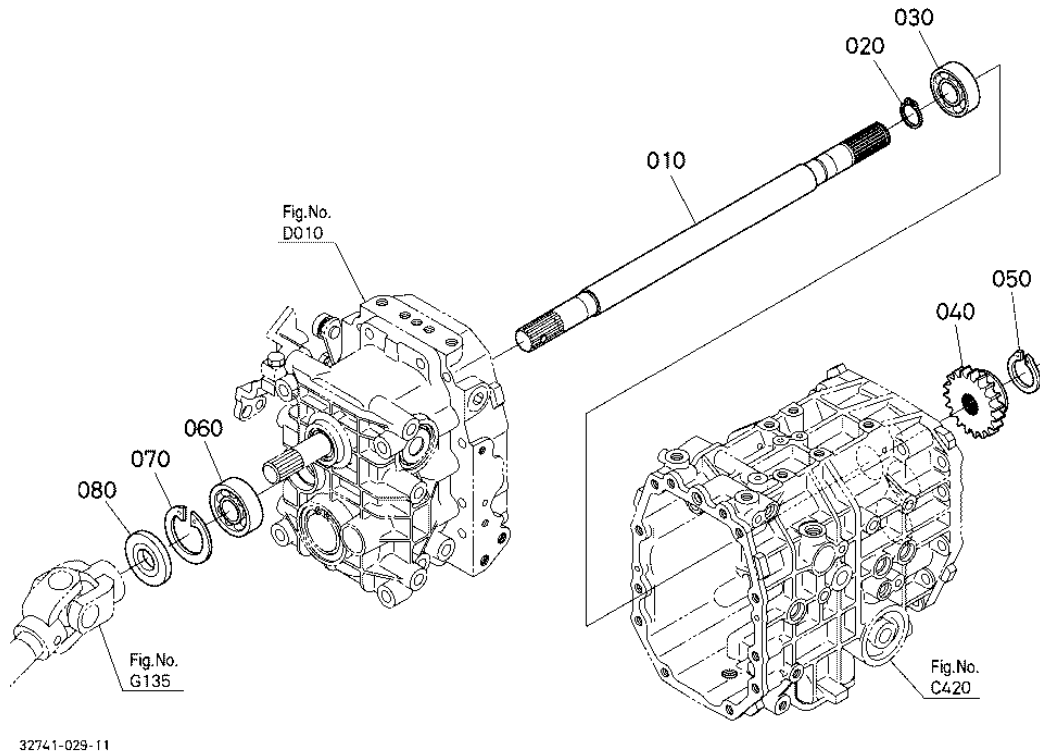


6C200-123-11

HST [COMPONENT PARTS] 1

Ref	Part Number	Part Name	Qty	IC	S/N	Lbs	Remarks
010	6C200-11604	ASSY HST	1			46.77	
020	37410-14320	BEARING BALL	2			0.319	
030	04611-00520	CIR CLIP INTERNAL	1			0.019	
040	6A710-11710	PLATE	1			2.2	
050	6A110-35020	ASSY COVER A	1			0.528	
060	04811-50550	O RING	1			0.004	
070	6A110-35140	SEAL OIL	1			0.019	

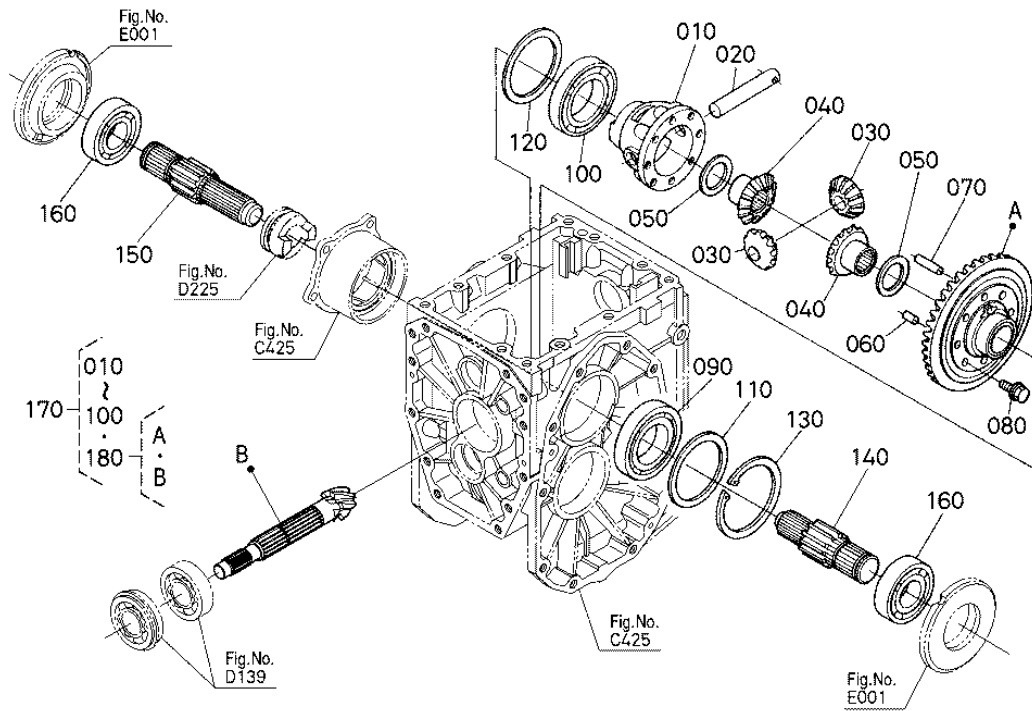
REVERSE SHAFT



REVERSE SHAFT

Ref	Part Number	Part Name	Qty	IC	S/N	Lbs	Remarks
010	6C200-16110	SHAFT REVERSE	1			2.53	
020	15875-24320	RING SNAP	1			0.006	
030	52300-16180	BEARING	1			0.226	
040	6C040-14840	GEAR FWD	1			0.506	20T
050	04612-00190	CIR CLIP EXTERNAL	1			0.002	
060	52300-21660	BEARING	1			0.154	
070	04611-00420	CIR CLIP INTERNAL	1			0.013	

REAR DIFFERENTIAL



32741-033-10

REAR DIFFERENTIAL

Ref	Part Number	Part Name	Qty	IC	S/N	Lbs	Remarks
010	6C040-14973	CASE DIFFERENTIAL	1			1.54	
020	67711-14912	SHAFT DIFF.PINION	1			0.308	
030	6C170-14923	GEAR BEVEL	2			0.242	12T
040	6C040-14930	GEAR DIFF.SIDE	2			0.363	14T
050	67211-15160	SHIM	2			0.022	1.0mm
050	67211-15170	SHIM	2			0.017	0.8mm
050	67211-15180	SHIM	2			0.022	1.2mm

CLICK HERE TO **DOWNLOAD** THE COMPLETE MANUAL

- Thank you very much for reading the preview of the manual.
- You can download the complete manual from: www.heydownloads.com by clicking the link below



- Please note: If there is no response to CLICKING the link, please download this PDF first and then click on it.

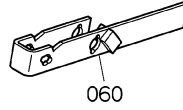
CLICK HERE TO **DOWNLOAD** THE COMPLETE MANUAL

FRONT WHEEL DRIVE LEVER

Ref	Part Number	Part Name	Qty	IC	S/N	Lbs	Remarks
080	05411-00832	PIN SPRING	1			0.077	
090	6A320-42630	GRIP LEVER	1			0.041	

PARKING BRAKE LEVER

OLD PARTS

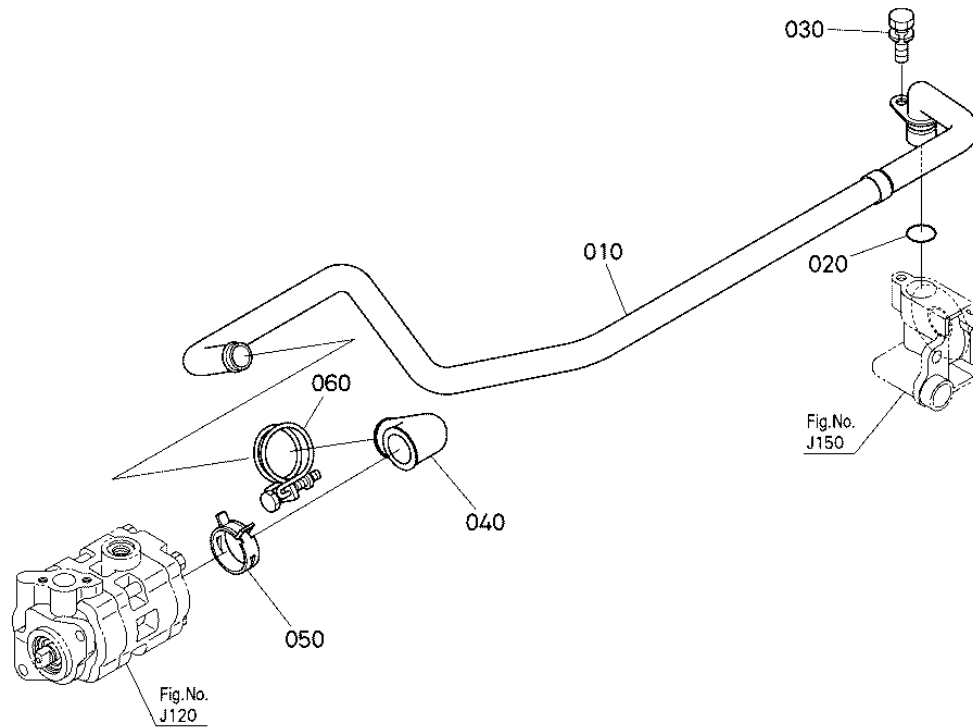


32741-804-10

PARKING BRAKE LEVER

Ref	Part Number	Part Name	Qty	IC	S/N	Lbs	Remarks
060	6A700-42270	LEVER BRAKE	1	>>	>=50478	0.22	
060	6A700-42290	LEVER BRAKE	1		<=50477	0.242	ORDER BY REF.No.06

HYDRAULIC OIL LINE(SUCTION)

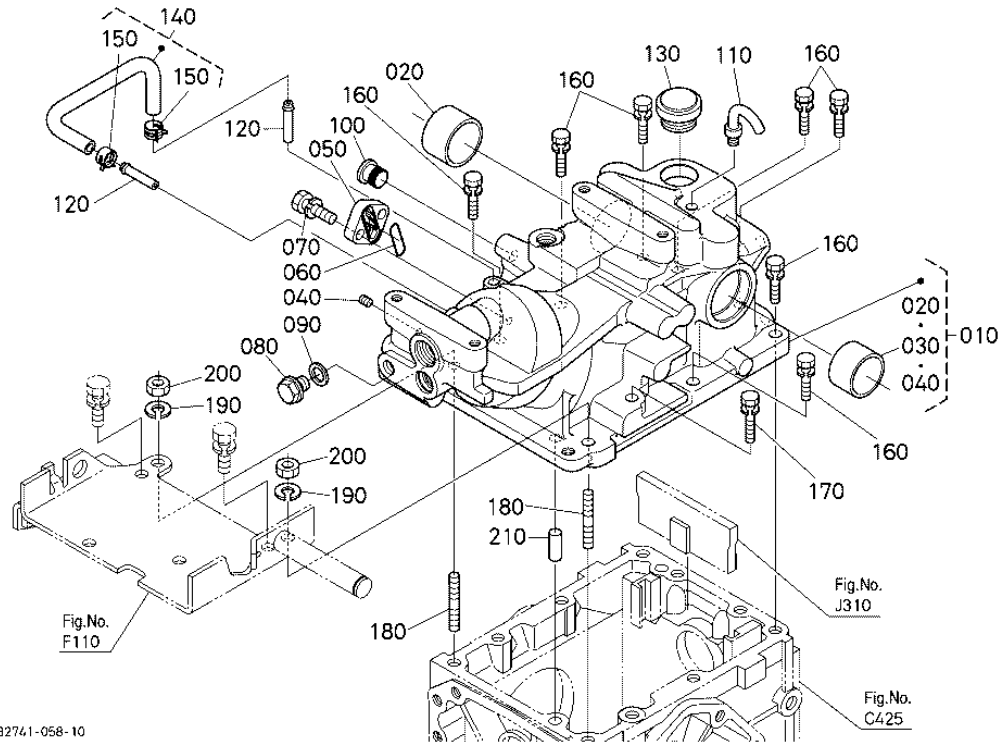


32741-053-10

HYDRAULIC OIL LINE(SUCTION)

Ref	Part Number	Part Name	Qty	IC	S/N	Lbs	Remarks
010	32741-39112	PIPE SUCTION	1			0	
020	04816-00200	O RING	1			0.006	
030	01123-60816	BOLT	1			0.022	
040	32741-39150	HOSE SUCTION	1			0	
050	16241-72970	BAND PIPE	1			0.033	
060	67980-58640	CLAMP HOSE	1			0.044	

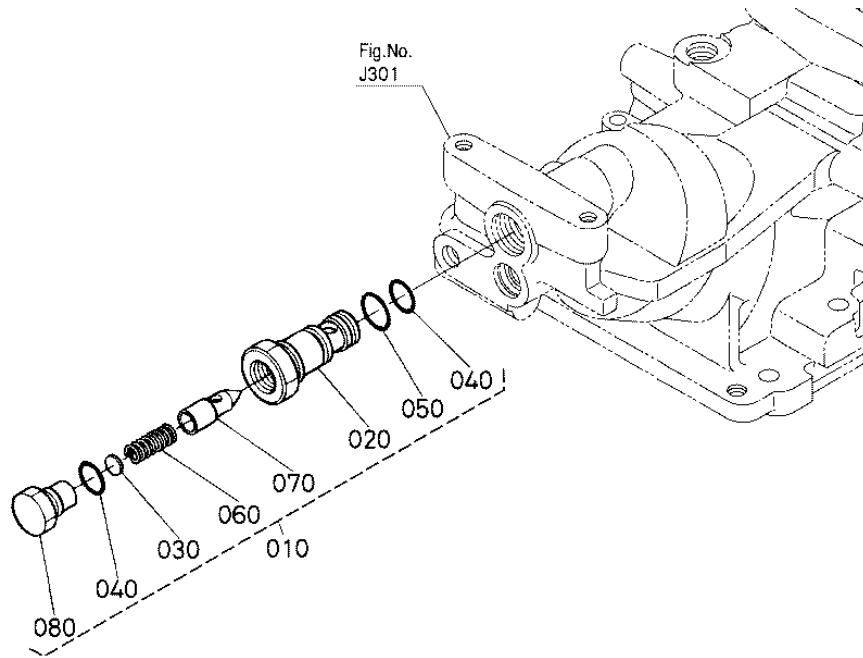
HYDRAULIC CYLINDER



HYDRAULIC CYLINDER

Ref	Part Number	Part Name	Qty	IC	S/N	Lbs	Remarks
010	32741-36030	ASSY CASE CYLINDER	1			0	
020	6C040-36480	BUSH	1			0.044	
030	6A671-36490	BUSH	1			0.088	
040	32701-36150	PLUG	1			0.011	
050	6C040-36620	CAP	1			0.048	
060	37410-36630	O RING	1			0.002	
070	01123-50820	BOLT	2			0.024	

SAFETY VALVE



6A700-388-20

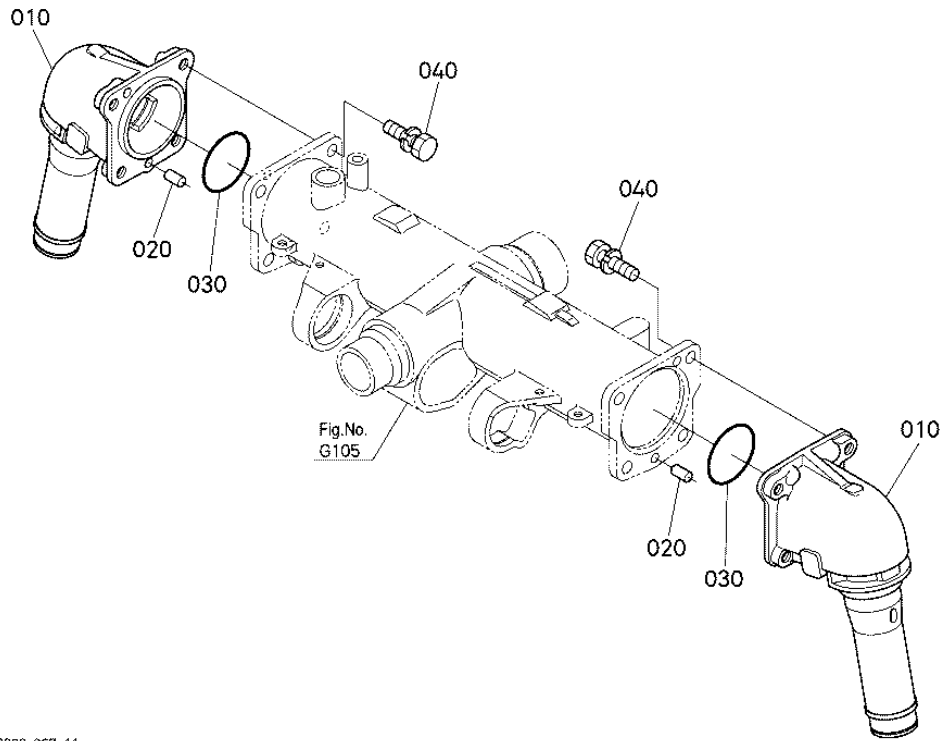
SAFETY VALVE

Ref	Part Number	Part Name	Qty	IC	S/N	Lbs	Remarks
010	6A100-36363	ASSY VALVE SAFETY	1			0.303	
020	6A100-36762	PLUG VALVE	1			0.176	
030	48100-36280	SHIM	1			0.002	0.2mm
030	48100-36270	SHIM	1			0.002	0.3mm
040	04817-00140	O RING	2			0.002	
050	04817-00160	O RING	1			0.002	
060	67955-36260	SPRING VALVE	1			0.011	

PTO VALVE [COMPONENT PARTS]

Ref	Part Number	Part Name	Qty	IC	S/N	Lbs	Remarks
090	66363-39710	POPPET L	1			0.013	
100	66363-39720	SPRING L	1			0.022	
110	5H600-12620	PLUG	1			0.046	
120	6C040-19222	BOLT	1			0.033	
130	04717-01000	WASHER WITH RUBBER	1			0.002	
140	62061-18260	SPRING STOPPER	1			0.004	
150	07715-01605	BALL	1			0.006	

BEVEL GEAR CASE



6C200-067-11

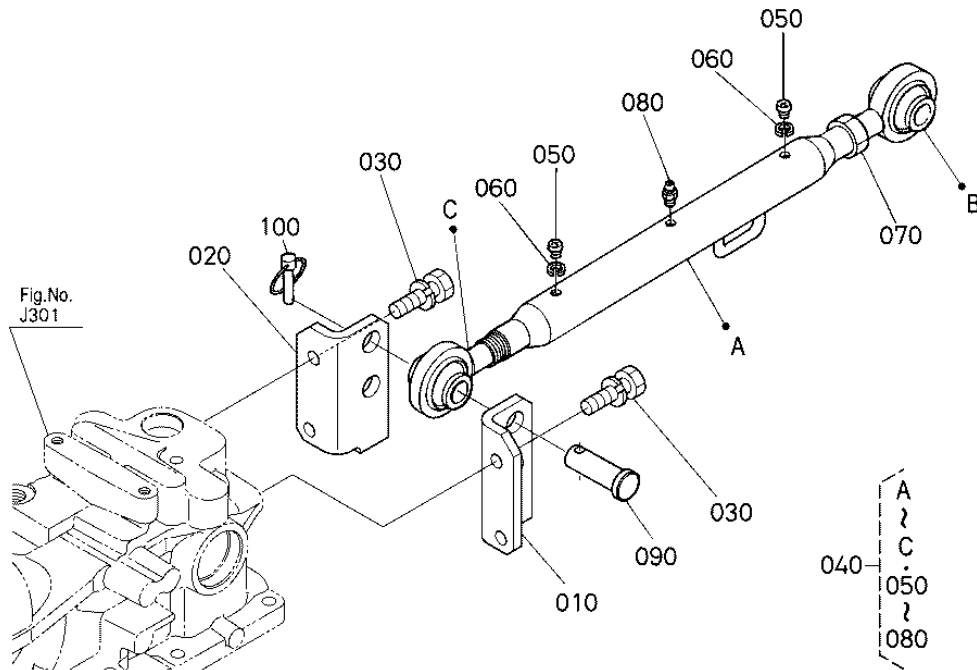
BEVEL GEAR CASE

Ref	Part Number	Part Name	Qty	IC	S/N	Lbs	Remarks
010	6C200-56215	CASE BEVEL GEAR	2			8.03	
020	05012-01020	PIN STRAIGHT	4			0.028	
030	04811-50850	O RING	2			0.006	
040	01133-51230	BOLT	8			0.088	

STEERING POST

Ref	Part Number	Part Name	Qty	IC	S/N	Lbs	Remarks
080	6C200-41390	BRACKET	1			0.143	
090	01123-60816	BOLT	1			0.022	
100	6A700-41512	BUSH	1			0.044	
110	6C040-41390	COLLAR	2			0.015	
120	6A100-41520	COVER BEARING	2			0.019	
130	08141-06002	BEARING BALL	1			0.063	
140	04611-00420	CIR CLIP INTERNAL	1			0.013	
150	6C200-41612	SHAFT STEERING	1			0.88	
160	04612-00150	CIR CLIP EXTERNAL	1			0.002	
170	6C200-41620	JOINT UNIVERSAL	1			0.594	
180	01123-50825	BOLT	1			0.028	

3-POINT LINKAGE (TOP LINK)



32741-066-10

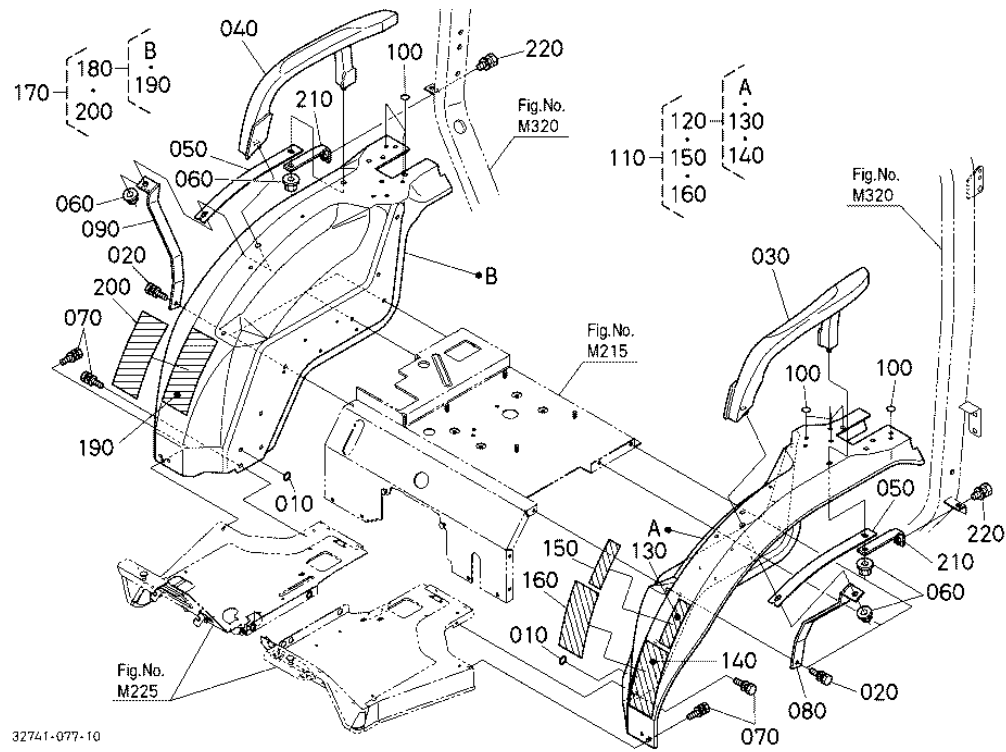
3-POINT LINKAGE (TOP LINK)

Ref	Part Number	Part Name	Qty	IC	S/N	Lbs	Remarks
010	6C200-65190	BRACKET TOP LINK LH	1			1.474	
020	6C200-65160	BRACKET TOP LINK RH	1			1.474	
030	01123-51230	BOLT	4			0.088	
040	6C070-65400	ASSY LINK TOP	1			4.664	
050	03014-50606	SCREW PAN-HEAD	2			0.059	
060	04512-60060	WASHER SPRING	2			0.002	
070	02152-50200	NUT	1			0.070	

BONNET

Ref	Part Number	Part Name	Qty	IC	S/N	Lbs	Remarks
080	32741-41560	LEVER BONNET	1			0	
090	05515-60800	PIN SNAP	1			0.004	
100	04013-60080	WASHER PLAIN	1			0.004	
110	32741-54512	ROD BONNET	1			0	
120	56811-31430	SPRING	1			0.039	
130	32741-99250	KIT BONNET	1			0	
140	6C040-47412	LABEL FILLER CAUTION	1			0.002	

FENDER



32741-077-10

FENDER

Ref	Part Number	Part Name	Qty	IC	S/N	Lbs	Remarks
010	6A741-52740	SEAL	2			0.002	
020	01125-60820	BOLT	6			0.033	
030	6C200-52173	HANDRAIL LH	1			1.386	
040	6C200-52183	HANDRAIL RH	1			1.386	
050	6A700-52130	STAY	2			0.55	
060	02783-50100	NUT FLANGE	4			0.022	
070	01125-60820	BOLT	8			0.033	

SEAT SUSPENSION [COMPONENT PARTS] 2

Ref	Part Number	Part Name	Qty	IC	S/N	Lbs	Remarks
080	02114-50100	NUT	4			0.011	
090	TA140-18410	BUSH	4			0.013	
100	32771-18430	COMP.BRACKET KNOB	1			0.22	
110	32771-18440	COMP.PLATE KNOB	1			0.077	
120	32771-18450	CIR CLIP EXTERNAL	1			0.002	
130	32771-18460	WASHER PLAIN	2			0.022	
140	32771-18470	BOLT	1			0.013	
150	32771-18480	NUT	1			0.004	
160	32771-18490	COMP.PLATE LOCK	1			0.132	
170	32771-18510	PIN JOINT	1			0.041	
180	32771-18520	PIN SNAP	1			0.004	
190	32771-18530	SPRING	1			0.048	
200	32771-18540	WIRE	1			0.088	
210	32771-18550	CLAMP	1			0.004	
220	32771-18560	PLATE TURN	1			0.374	
230	32771-18570	COMP.BASE TURN	1			6.49	
240	32771-18580	BUSH	1			0.094	
250	32771-18592	WASHER PLAIN	1			0.044	
260	32771-18612	BOLT	1			0.033	
270	32781-11860	SPACER	2			0.517	
280	02751-50080	NUT FLANGE	2			0.013	

REAR WHEEL (13.6-10)

Ref	Part Number	Part Name	Qty	IC	S/N	Lbs	Remarks
080	01517-51632	STUD	4			0.167	
090	01133-51635	BOLT	8			0.198	

WORKING LIGHT KIT (FRONT) (W/G No.L8045) [OPTION]

Ref	Part Number	Part Name	Qty	IC	S/N	Lbs	Remarks
080	99999-99999	MANUAL ASSEMBLY	1			0	

CLICK HERE TO **DOWNLOAD** THE COMPLETE MANUAL

- Thank you very much for reading the preview of the manual.
- You can download the complete manual from: www.heydownloads.com by clicking the link below



- Please note: If there is no response to CLICKING the link, please download this PDF first and then click on it.

CLICK HERE TO **DOWNLOAD** THE COMPLETE MANUAL