

Instructions for Parts Books

The heading at the top of the page will be the same for the picture of the parts as it is for the page with the part numbers.

Definition of column headings on part number pages:

REF.No → The number referring to the part on the picture page of the parts book.

Part No. → The number assigned to this part at the time of printing the parts book.

Description → Description of part.

Q'ty → Quantity of part used on that page.

S.No. → Serial number range of the equipment that this part will fit.

>= Your serial number should be greater than or equal to the number shown.

<= Your serial number should be lesser than or equal to the serial number shown.

I/C → Interchangeability of part shown.

↔ The part shown will work for the older and later serial number.

The part shown is not interchangeable with the other serial number.

← new for old

→ old for new

Remarks → Notes about this particular part. Sometimes this may say except [FR] or [CA]

Note about Country Codes:

The parts books we use in the United States of America may also contain information about a part that would be different in another country. It is important that you are aware of the country codes in some instances.

Symbol	Country
A	United States of America
CA	Canada
FR	France
GR	Greece
PO	Portugal
AU	Australia

If the remarks column says for example EXCEPT [FR] this part works in all countries except France. That means it will work here in the USA.

CLICK HERE TO **DOWNLOAD** THE COMPLETE MANUAL

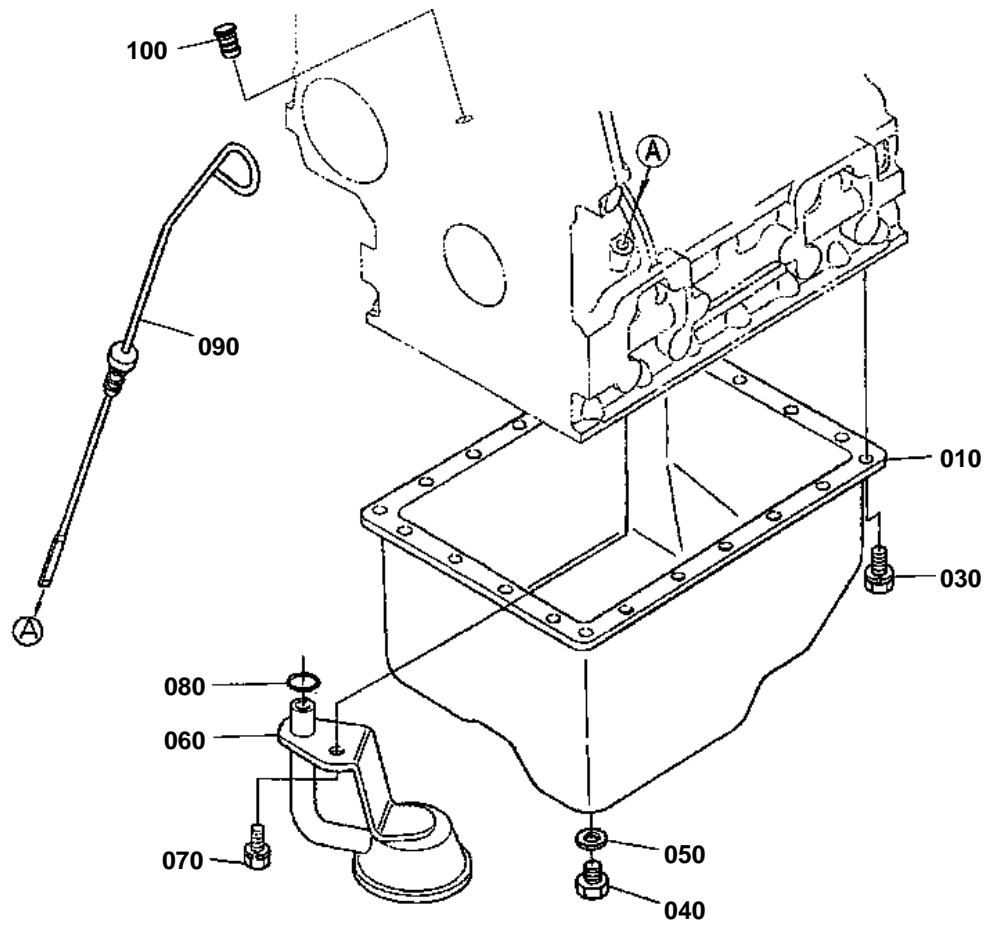
- Thank you very much for reading the preview of the manual.
- You can download the complete manual from: www.heydownloads.com by clicking the link below



- Please note: If there is no response to CLICKING the link, please download this PDF first and then click on it.

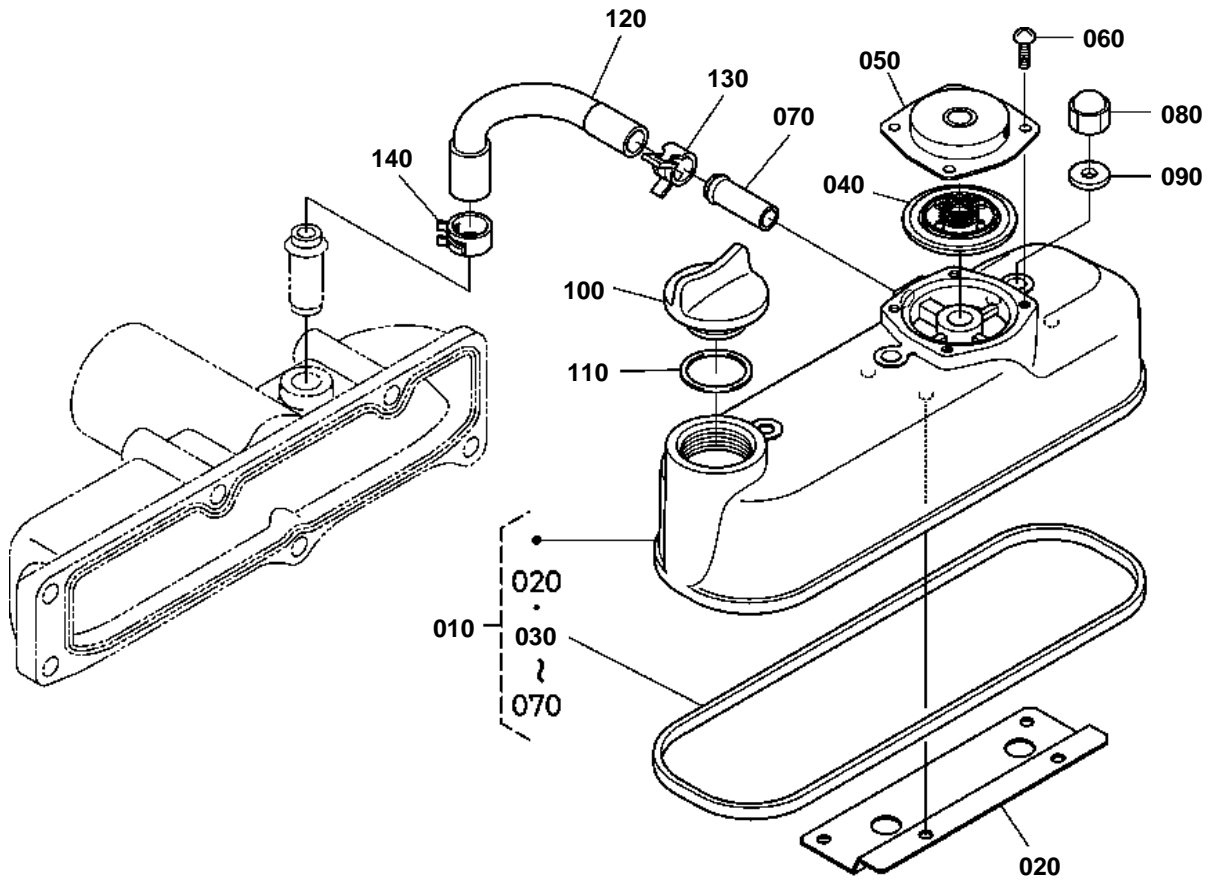
CLICK HERE TO **DOWNLOAD** THE COMPLETE MANUAL

OIL PAN



16261-001-32

HEAD COVER



1G062-002-11



PISTON AND CRANKSHAFT

↔ Interchangeable; ≠ not interchangeable; ← new for old; → old for new

REF.No	Part No.	Description	Q'ty	S.No.	I/C	REMARKS	Weight (kgf)	Weight (lb)
230	07916-28760	KIT METAL ENGINE	1	<=4Z9999		-0.2mm/+0.2mm	0.34	0.748
230	1G069-23764	KIT METAL ENGINE	1	>=5A0001	1	-0.2mm/+0.2mm	0.324	0.7128
230	07916-28770	KIT METAL ENGINE	1	<=4Z9999		-0.4mm/+0.4mm NOT SALE	0	0
230	1G069-23774	KIT METAL ENGINE	1	>=5A0001	1	-0.4mm/+0.4mm	0.346	0.7612

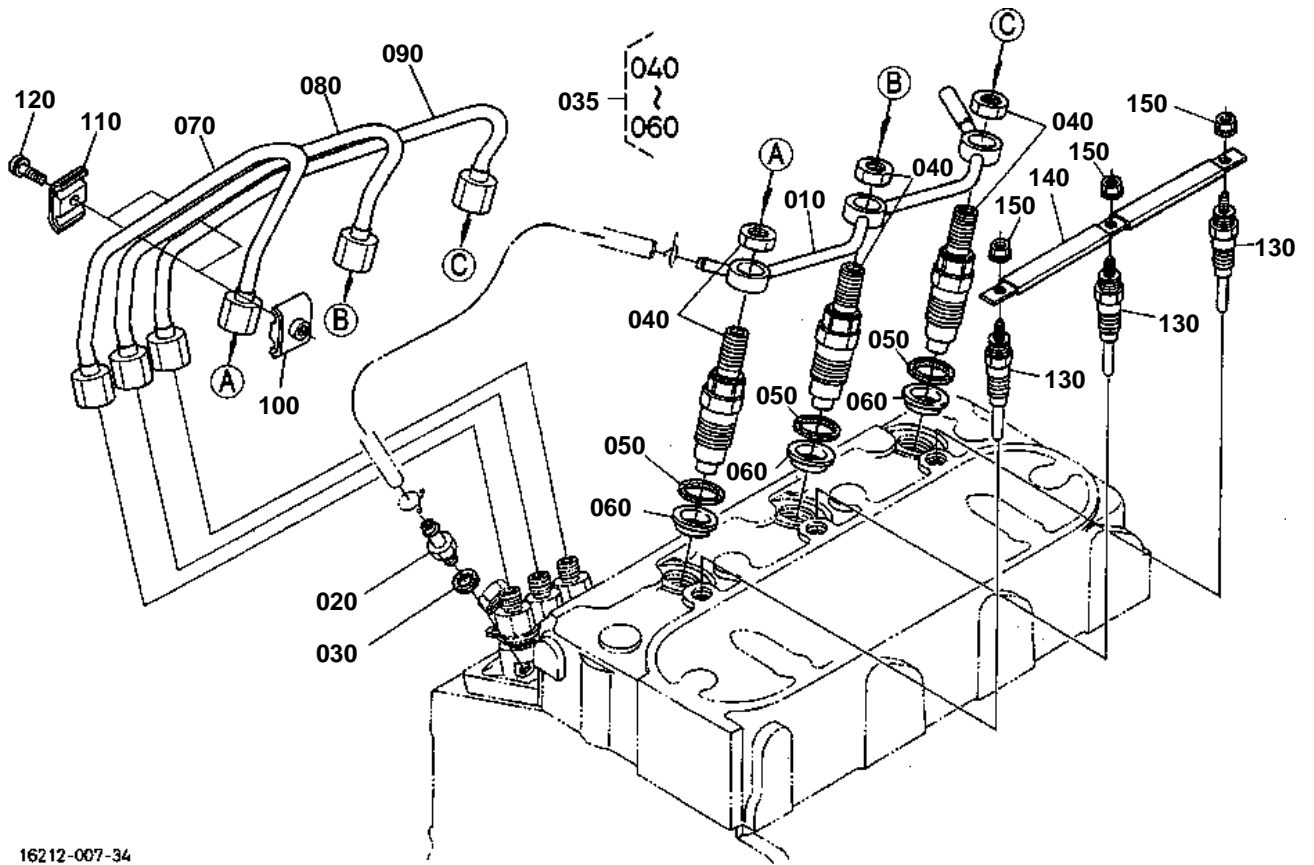


INJECTION PUMP

↔ Interchangeable; ≠ not interchangeable; ← new for old; → old for new

REF.No	Part No.	Description	Q'ty	S.No.	I/C	REMARKS	Weight (kgf)	Weight (lb)
010	16271-95690	JOINT EYE	1				0.046	0.1012
020	16032-51010	ASSY PUMP INJECTION	1				1	2.2
030	16006-52092	SHIM INJECTION PUMP	1			0.20mm	0.004	0.0088
030	16006-52112	SHIM INJECTION PUMP	1			0.25mm	0.004	0.0088
030	16006-52122	SHIM INJECTION PUMP	1			0.30mm	0.006	0.0132
040	01311-10620	BOLT HEX-SOC-HD	2				0.012	0.0264
050	15841-91500	STUD	2				0.02	0.044
060	15841-92320	NUT	2				0.01	0.022
070	04512-60060	WASHER SPRING	4				0.001	0.0022
080	16271-51320	SCREW HOLLOW	1				0.031	0.0682
090	15841-96650	GASKET	2				0.001	0.0022
100	16030-96010	PLUG	1				0.008	0.0176
110	15861-96650	GASKET	1				0.001	0.0022

NOZZLE HOLDER AND GLOW PLUG



16212-007-34

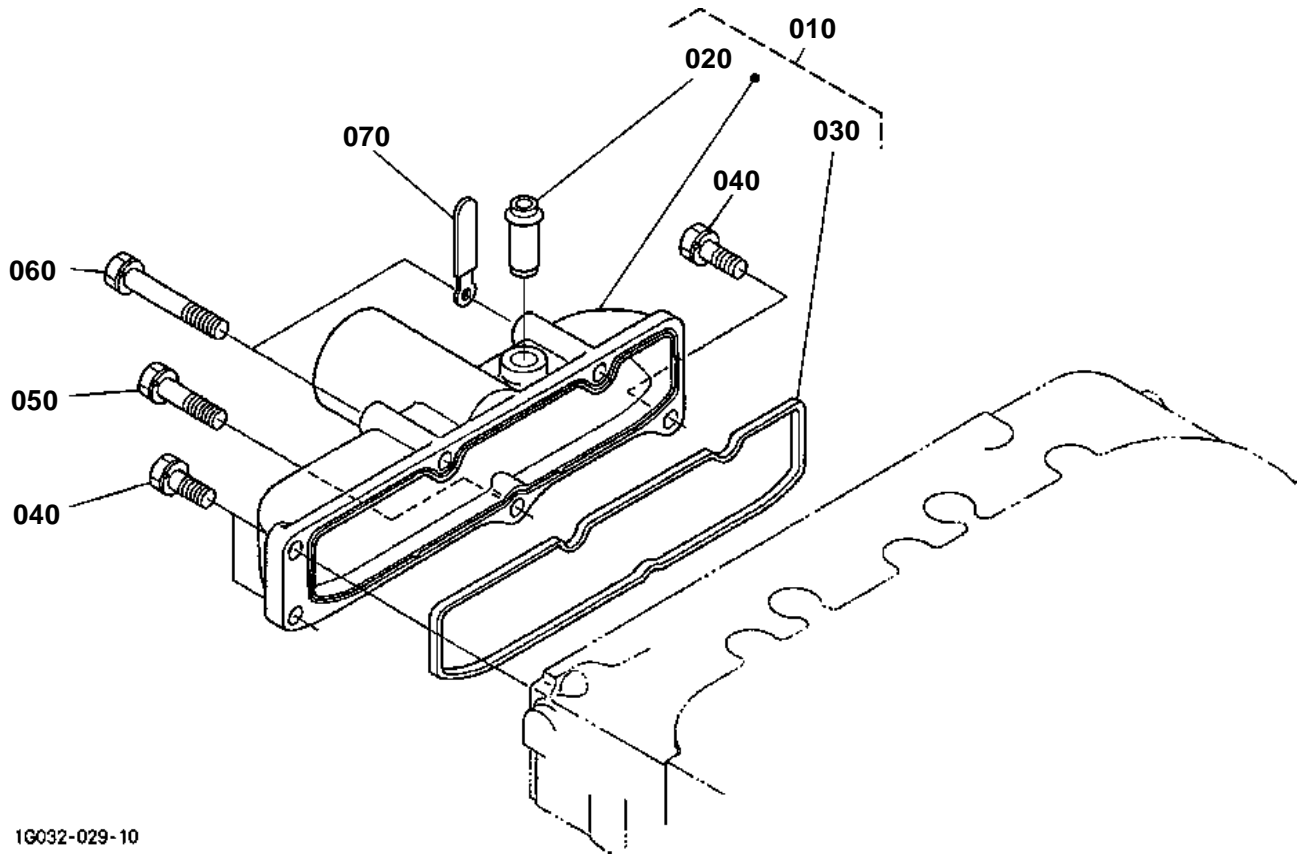


FUEL PUMP(MECHANICAL)

↔ Interchangeable; ≠ not interchangeable; ← new for old; → old for new

REF.No	Part No.	Description	Q'ty	S.No.	I/C	REMARKS	Weight (kgf)	Weight (lb)
010	16241-52032	ASSY PUMP FUEL	1				0.13	0.286
020	16264-52140	GASKET FUEL PUMP	1				0.001	0.0022
030	02056-50060	NUT	2				0.002	0.0044
040	04512-60060	WASHER SPRING	2				0.001	0.0022

INLET MANIFOLD



1G032-029-10

OLD PARTS

010 - {
020
?
150

16381-802-11

**ACCELERATOR LEVER**

↔ Interchangeable; ≠ not interchangeable; ← new for old; → old for new

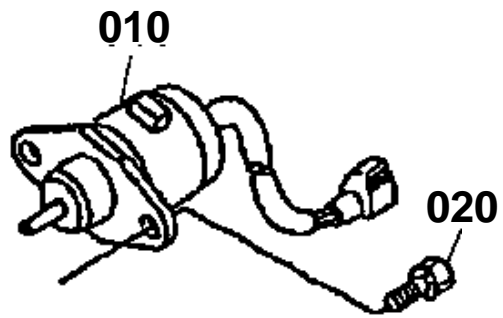
REF.No	Part No.	Description	Q'ty	S.No.	I/C	REMARKS	Weight (kgf)	Weight (lb)
010	32721-43260	ASSY LEVER ACCEL.ROD	1	<=50192			0	0
010	32721-43262	ASSY LEVER ACCEL.ROD	1	>=50193	-		0.13	0.286
020	08511-01220	BUSH	1				0.004	0.0088
030	04011-50120	WASHER PLAIN	1				0.005	0.011
040	05511-50320	PIN SPLIT	1				0.002	0.0044
050	32721-43290	SPRING ACCEL.	1				0.012	0.0264
060	32721-43240	ROD ACCEL.	1	<=60970			0	0
060	32721-43243	ROD ACCEL.	1	>=60971	-		0.17	0.374
060	32721-43245	ROD ACCEL.	1	>=63105	1		0.17	0.374
070	04012-50060	WASHER PLAIN	2				0.001	0.0022
080	05511-50218	PIN SPLIT	2				0.001	0.0022
090	32721-43280	ASSY LEVER ACCEL.ROD	1				0.152	0.3344
100	08511-01625	BUSH	1				0.01	0.022
110	04011-60160	WASHER PLAIN	1				0.01	0.022
120	05511-50325	PIN SPLIT	1				0.002	0.0044
130	32721-43250	ROD ACCEL.	1				0.052	0.1144
140	04012-50060	WASHER PLAIN	2				0.001	0.0022
150	05511-50218	PIN SPLIT	2				0.001	0.0022
160	32721-43200	ASSY LEVER ACCEL.	1				0.505	1.111
170	08511-01220	BUSH	1				0.004	0.0088
180	TA040-24490	GRIP LEVER	1				0.033	0.0726
190	6C040-42760	CUSHION	1				0.003	0.0066
200	32721-43270	ROD RELEASE	1				0.094	0.2068
210	6C040-43280	CONNECTOR	1				0.008	0.0176
220	02014-50060	NUT	2				0.002	0.0044
230	05525-50800	PIN SNAP	1				0.001	0.0022
240	05511-50218	PIN SPLIT	1				0.001	0.0022
250	67800-44720	SPRING	2				0.005	0.011
260	04015-60120	WASHER PLAIN	2				0.022	0.0484
270	02172-50120	NUT	1				0.01	0.022
280	02174-50120	NUT	1				0.01	0.022

**FUEL FILTER [COMPONENT PARTS]**

↔ Interchangeable; ≠ not interchangeable; ← new for old; → old for new

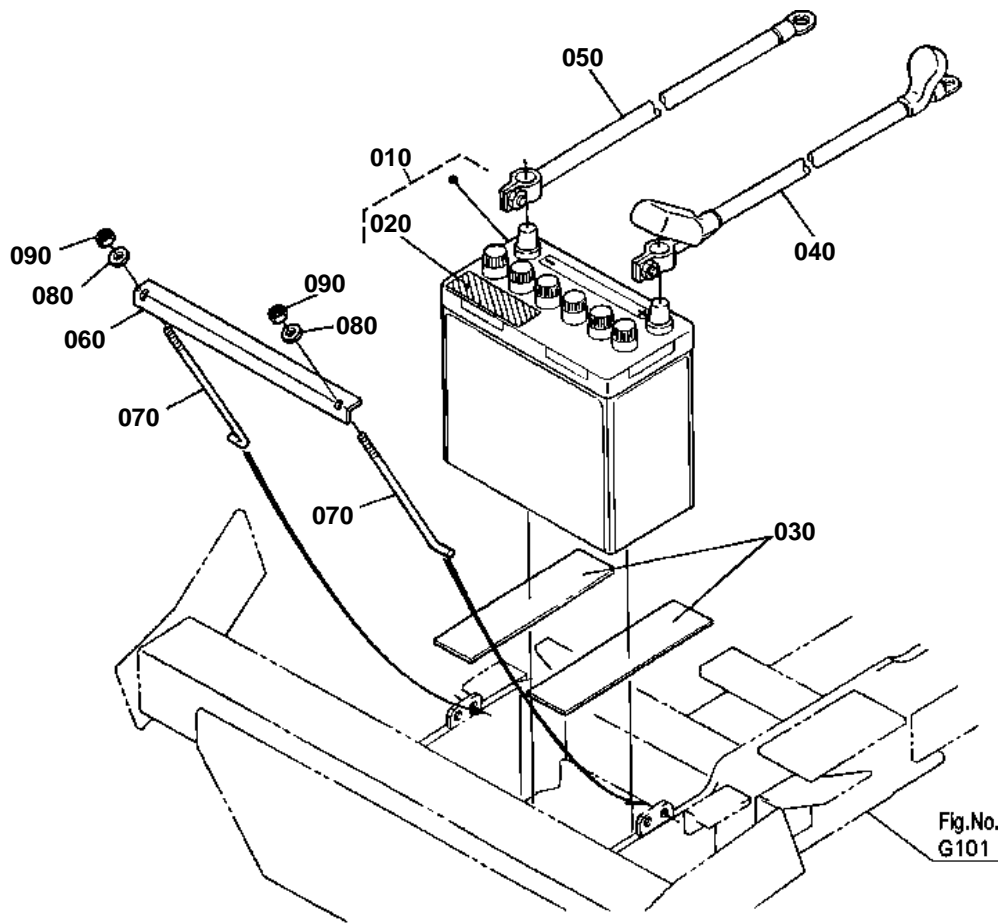
REF.No	Part No.	Description	Q'ty	S.No.	I/C	REMARKS	Weight (kgf)	Weight (lb)
010	15751-43010	ASSY FILTER FUEL	1				0.41	0.902
020	15531-43110	COMP.BODY COCK	1			NOT SALE	0.255	0.561
030	14301-43522	LEVER COCK	1				0.024	0.0528
040	14301-43820	SPRING VALVE	1				0.001	0.0022
050	14301-43830	SCREW SET	1				0.001	0.0022
060	14301-43840	O RING LEVER	1				0.001	0.0022
070	19204-43100	ASSY CUP FILTER	1				0.02	0.044
080	15393-43580	CUP FILTER	1				0.01	0.022
080	1T021-43580	CUP FILTER	1		→		0.04	0.088
090	16689-88430	LABEL FUEL	1				0.001	0.0022
100	14301-43590	RING RETAINING	1				0.054	0.1188
100	1T021-43590	RING RETAINING	1		→		0.066	0.1452
110	14301-43650	O RING FILTER CUP	1				0.001	0.0022
110	04816-00390	O RING FILTER CUP	1		→		0.003	0.0066
120	15231-43560	ASSY ELEMENT	1				0.03	0.066
120	1T021-43560	ASSY ELEMENT	1		→		0.02	0.044
130	14301-43570	O RING FILTER	1				0.001	0.0022
130	04816-00100	O RING FILTER	1		→		0.001	0.0022

OLD PARTS



16381-800-11

BATTERY



32721-012-11



HEAD LIGHT

↔ Interchangeable; ≠ not interchangeable; ← new for old; → old for new

REF.No	Part No.	Description	Q'ty	S.No.	I/C	REMARKS	Weight (kgf)	Weight (lb)
010	67111-55700	ASSY LIGHT HEAD	2				0.21	0.462
020	67111-55780	SOCKET HEAD LIGHT	2				0.03	0.066
030	67111-55790	BULB HEAD LIGHT	2				0.01	0.022
040	01029-50616	BOLT	4				0.01	0.022

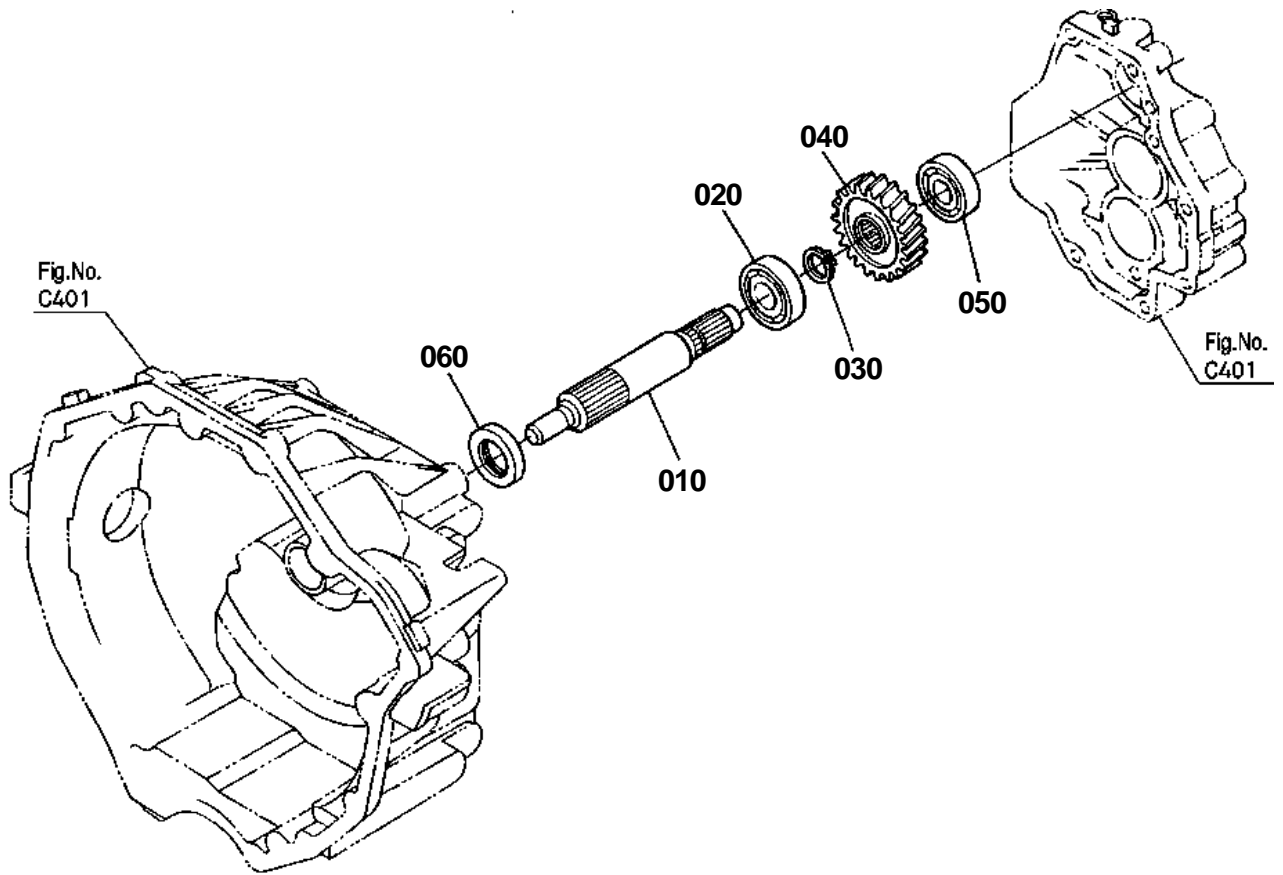


CLUTCH HOUSING

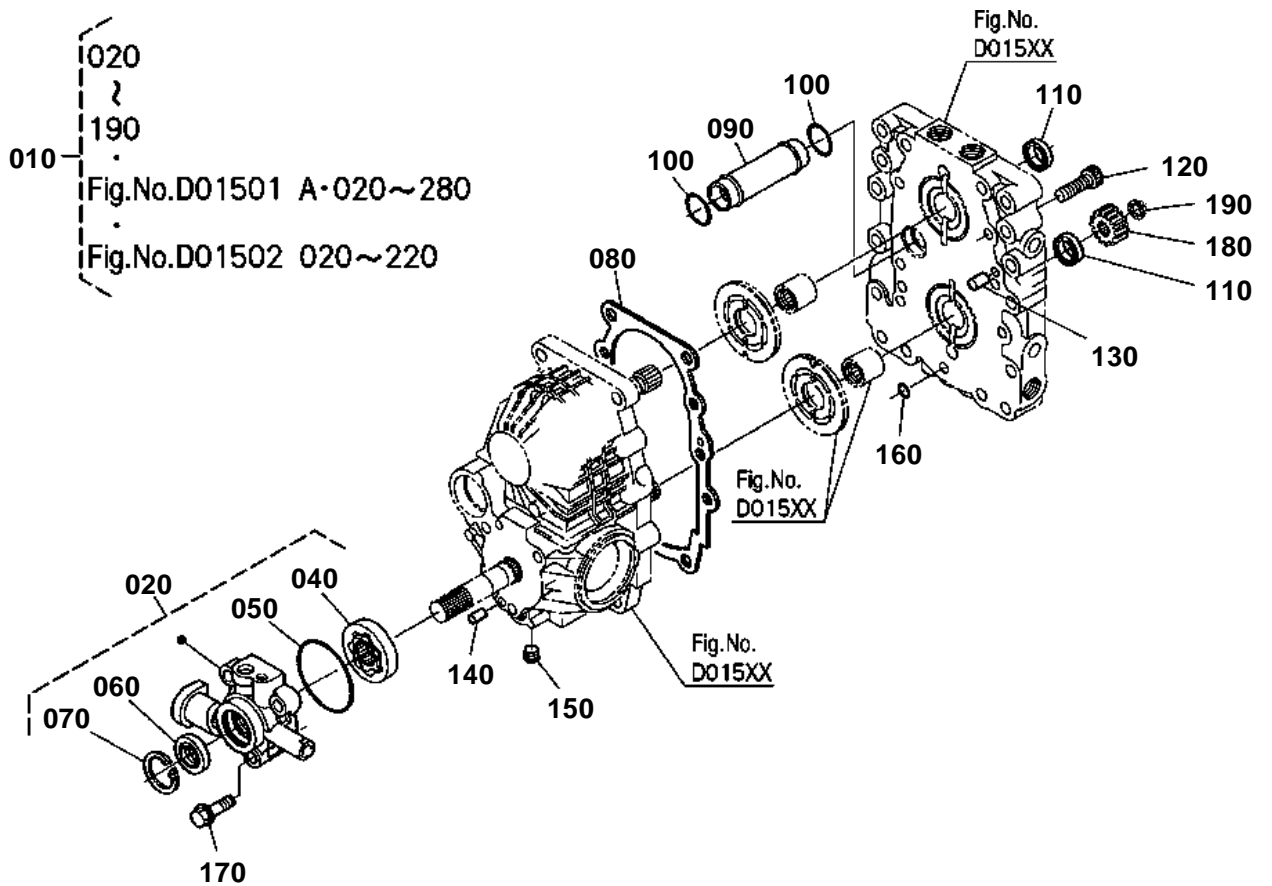
↔ Interchangeable; ≠ not interchangeable; ← new for old; → old for new

REF.No	Part No.	Description	Q'ty	S.No.	I/C	REMARKS	Weight (kgf)	Weight (lb)
010	6C040-13114	HOUSING CLUTCH	1				5.2	11.44
020	05012-00814	PIN STRAIGHT	2	<=51417			0.006	0.0132
020	05012-00814	PIN STRAIGHT	1	>=51418			0.006	0.0132
025	66611-11160	PIN KNOCK	1	>=51418			0.01	0.022
030	01517-51045	STUD	2				0.032	0.0704
040	02118-50100	NUT	2				0.005	0.011
050	01754-50840	BOLT FLANGE	2				0.02	0.044
060	04512-60080	WASHER SPRING	2				0.002	0.0044
070	02114-50080	NUT	2				0.005	0.011
080	01123-50830	BOLT	9				0.015	0.033
090	99999-99999	BLANK	0				0	0
100	01555-51225	STUD	4				0.039	0.0858
110	01754-50812	BOLT FLANGE	1				0.01	0.022
120	04717-00800	WASHER WITH RUBBER	1				0.001	0.0022
130	37410-13124	PLUG	1				0.02	0.044
140	32721-13120	COVER CLUTCH HOUSING	1	<=52435			0	0
140	32721-13122	COVER CLUTCH HOUSING	1	>=52436	-		0.9	1.98
140	32721-13123	COVER CLUTCH HOUSING	1	>=61797	1		0.9	1.98
150	05012-00614	PIN STRAIGHT	2				0.004	0.0088
160	01123-50840	BOLT	2				0.018	0.0396
170	01123-50835	BOLT	2				0.02	0.044
180	01123-50860	BOLT	6				0.002	0.0044
190	32721-13170	JOINT PIPE	1				0.015	0.033

CLUTCH SHAFT



32721-087-11



32721-100-10

CLICK HERE TO **DOWNLOAD** THE COMPLETE MANUAL

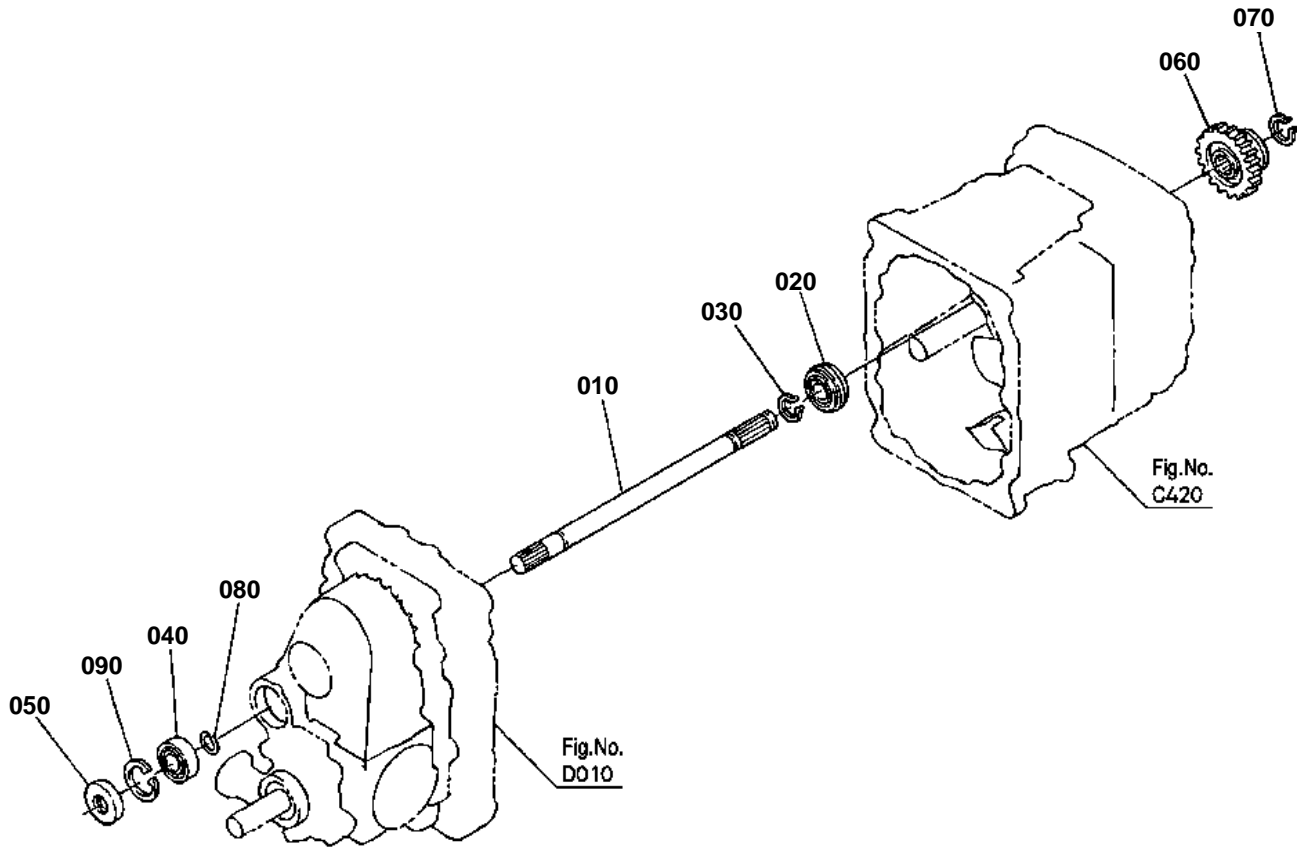
- Thank you very much for reading the preview of the manual.
- You can download the complete manual from: www.heydownloads.com by clicking the link below



- Please note: If there is no response to CLICKING the link, please download this PDF first and then click on it.

CLICK HERE TO **DOWNLOAD** THE COMPLETE MANUAL

FRONT WHEEL PROPELLER SHAFT



32721-024-11

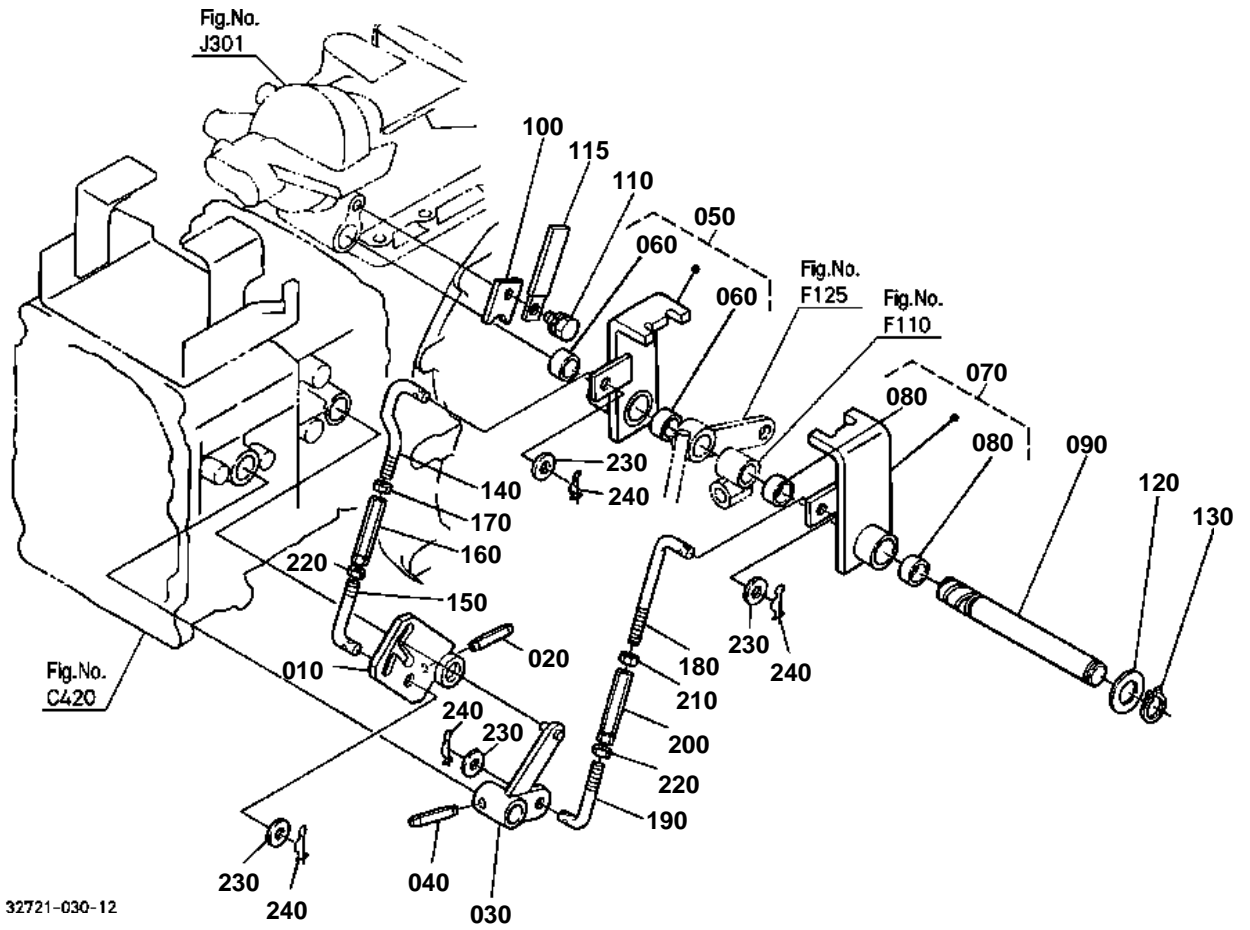


PARKING BRAKE LEVER

↔ Interchangeable; ≠ not interchangeable; ← new for old; → old for new

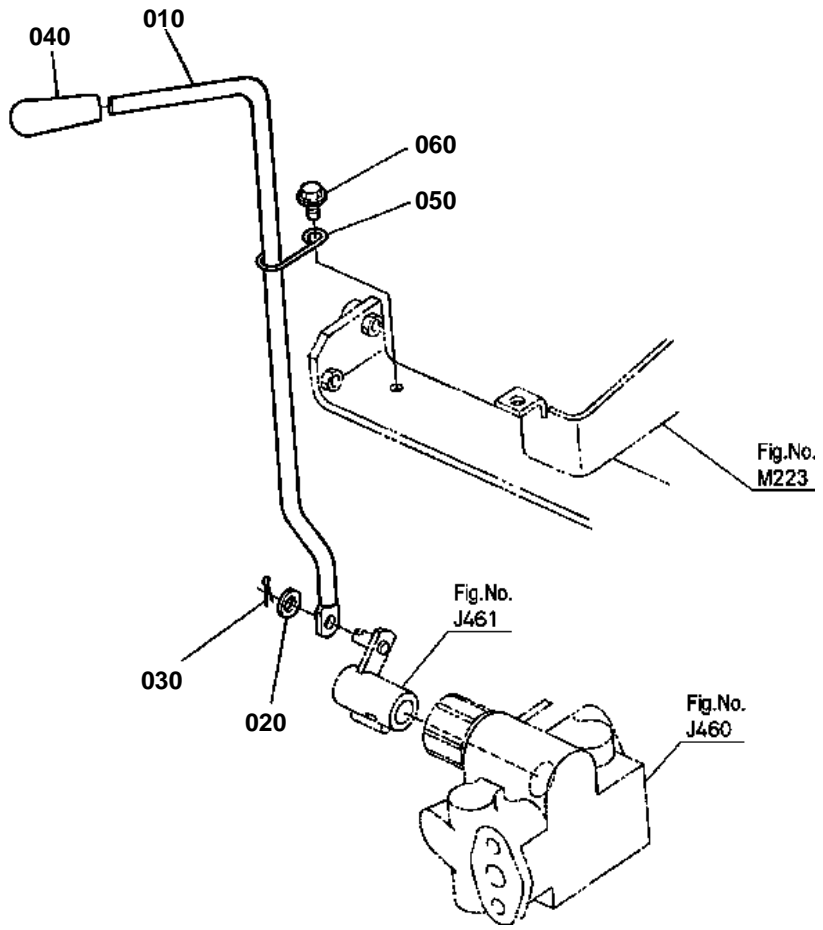
REF.No	Part No.	Description	Q'ty	S.No.	I/C	REMARKS	Weight (kgf)	Weight (lb)
010	6C040-41350	LEVER	1				0.104	0.2288
020	6C040-41380	SPRING RETURN	1				0.008	0.0176
030	6C040-41360	GRIP LEVER	1				0.012	0.0264
040	6C040-41373	ROD BRAKE	1				0.22	0.484
050	05525-50800	PIN SNAP	2				0.001	0.0022
060	6C040-42250	PLATE BRAKE LOCK	1				0.07	0.154
070	50591-62370	NUT	1				0.005	0.011
080	01153-50820	BOLT	1	<=51529			0.012	0.0264
080	01153-50822	BOLT	1	>=51530	→		0.011	0.0242

RANGE GEAR SHIFT ROD



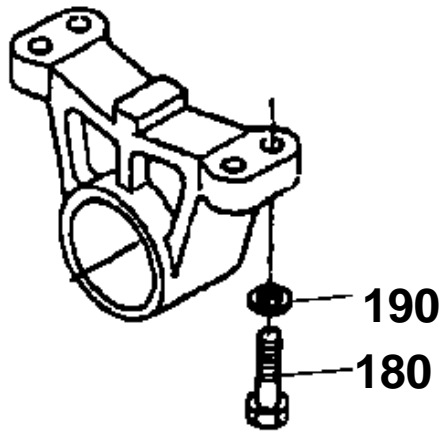
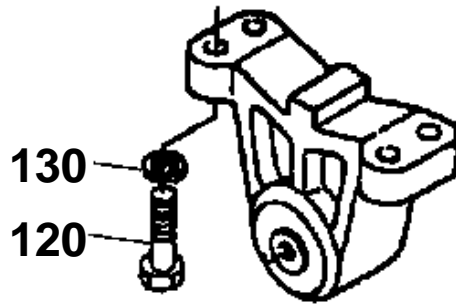
32721-030-12

HYDRAULIC CHANGE ROD



32721-081-11

OLD PARTS



32721-805-11

FRONT DRIVE SHAFT

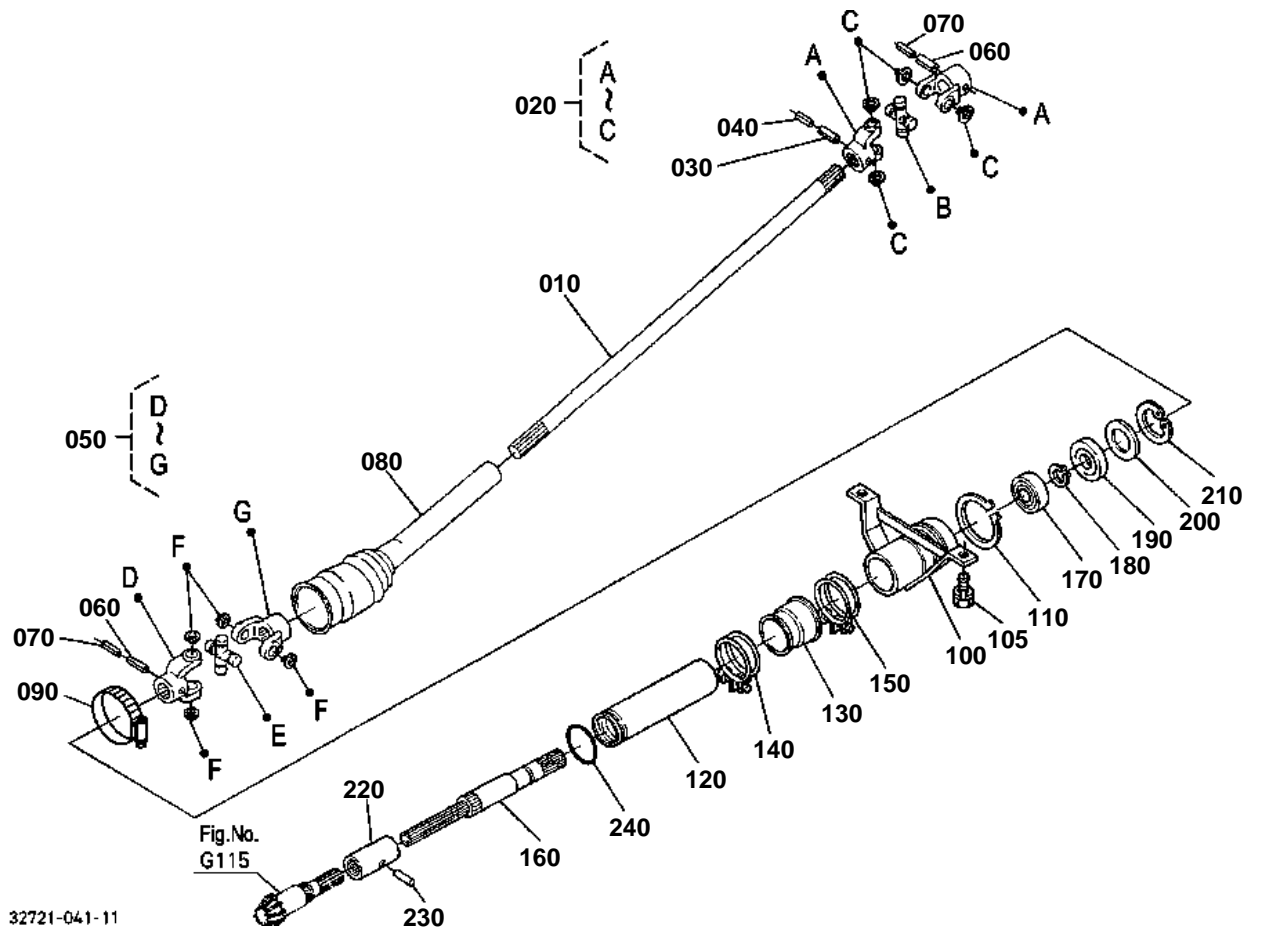


Fig.No. G115

32721-041-11

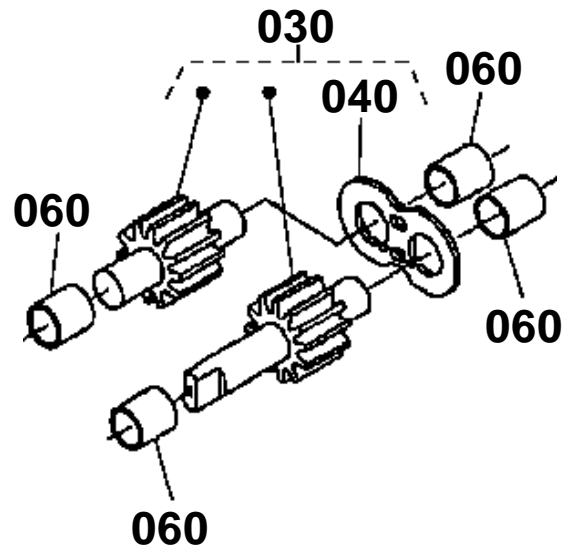


HYDRAULIC PUMP(PS)

↔ Interchangeable; ≠ not interchangeable; ← new for old; → old for new

REF.No	Part No.	Description	Q'ty	S.No.	I/C	REMARKS	Weight (kgf)	Weight (lb)
010	32721-41100	ASSY STEERING POWER	1	<=50427			0	0
010	32721-41102	ASSY STEERING POWER	1	>=50428	↔		12.2	26.84
010	32721-41500	ASSY STEERING POWER	1		↔		11.3	24.86
020	32721-41210	ARM PITMAN	1				1.15	2.53
030	04512-60220	WASHER SPRING	1				0.025	0.055
040	02176-50220	NUT	1				0.058	0.1276
050	01133-51230	BOLT	3				0.04	0.088
060	01133-51235	BOLT	2				0.043	0.0946

OLD PARTS



1G042-804-12

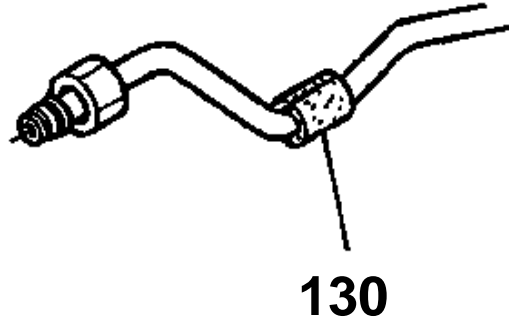


HYDRAULIC OIL LINE(DELIVERY)

↔ Interchangeable; ≠ not interchangeable; ← new for old; → old for new

REF.No	Part No.	Description	Q'ty	S.No.	I/C	REMARKS	Weight (kgf)	Weight (lb)
010	32721-39214	PIPE	1	<=61090			0.45	0.99
010	32721-39215	PIPE	1	>=61091	1		0.452	0.9944
020	32721-39280	JOINT PIPE	1	<=61090			0.033	0.0726
020	32721-39282	JOINT PIPE	1	>=61091	1		0.033	0.0726
030	04810-00180	O RING	1	<=61394			0	0
030	04817-00180	O RING	1	>=61395	1		0.003	0.0066
040	01123-50820	BOLT	2				0.011	0.0242
050	6C050-39410	CLAMP PIPE	1				0.013	0.0286
060	01125-60816	BOLT	1				0.01	0.022
070	04013-60080	WASHER PLAIN	1	<=50008			0.002	0.0044

OLD PARTS



32721-838-10



CONTROL VALVE [COMPONENT PARTS]

↔ Interchangeable; ≠ not interchangeable; ← new for old; → old for new

REF.No	Part No.	Description	Q'ty	S.No.	I/C	REMARKS	Weight (kgf)	Weight (lb)
010	6C040-36203	ASSY VALVE CONTROL	1	<=52611			0	0
010	6C040-36204	ASSY VALVE CONTROL	1	>=52612	-		1.31	2.882
020	6C040-36603	ASSY BODY-SPOOL	1	<=52611			0	0
020	6C040-36604	ASSY BODY-SPOOL	1	>=52612	-		0.96	2.112
030	6C040-36652	LEVER	1				0.039	0.0858
040	6C040-36660	SPRING RETURN	1				0.01	0.022
050	6C040-36270	HOLDER SPRING	1				0.025	0.055
060	04613-50090	CIR CLIP EXTERNAL	2				0.001	0.0022
070	6C040-36670	POPPET	1				0.011	0.0242
080	6C040-36680	SPRING	1				0.001	0.0022
090	04810-00090	O RING	2	<=61534			0	0
090	04817-00090	O RING	2	>=61535	-		0.001	0.0022
100	6A100-36660	PLUG	1				0.015	0.033
110	48100-38320	POPPET	1				0.014	0.0308
120	48100-38330	SPRING	1				0.005	0.011
130	6A100-36670	PLUG	1				0.027	0.0594
140	6A100-36680	PLUG	1				0.042	0.0924
150	04810-06100	O RING	1	<=61534			0	0
150	04817-06100	O RING	1	>=61535	-		0.001	0.0022
160	6A100-36690	POPPET	1				0.035	0.077
170	07715-00803	BALL	1				0.004	0.0088
180	6A100-36710	SPRING	1				0.01	0.022
190	04811-00050	O RING	1	<=61534			0	0
190	04816-00050	O RING	1	>=61535	-		0.001	0.0022
200	02052-50080	NUT	2				0.004	0.0088
210	32701-36150	PLUG	3				0.005	0.011
220	32420-67380	PLUG	1				0.005	0.011
230	6A100-36720	SPRING PLUNGER	1				0.005	0.011
240	6A100-36730	SPRING	1				0.02	0.044
250	6A100-36740	PLUG	1				0.006	0.0132
260	04811-00060	O RING	1	<=61534			0	0
260	04816-00060	O RING	1	>=61535	-		0.001	0.0022



3-POINT LINKAGE 1(TOP LINK)

↔ Interchangeable; ≠ not interchangeable; ← new for old; → old for new

REF.No	Part No.	Description	Q'ty	S.No.	I/C	REMARKS	Weight (kgf)	Weight (lb)
010	32721-65190	BRACKET TOP LINK LH	1				0.57	1.254
020	32721-65160	BRACKET TOP LINK RH	1				0.58	1.276
030	01123-51230	BOLT	4				0.04	0.088
040	6C040-65400	ASSY LINK TOP	1				2.16	4.752
050	03014-50606	SCREW PAN-HEAD	2				0.027	0.0594
060	04512-60060	WASHER SPRING	2				0.001	0.0022
070	02152-50200	NUT	1				0.032	0.0704
080	31150-71360	PIN JOINT	2				0.166	0.3652
090	34150-37640	PIN SET	2				0.06	0.132

**BONNET [AU]**

↔ Interchangeable; ≠ not interchangeable; ← new for old; → old for new

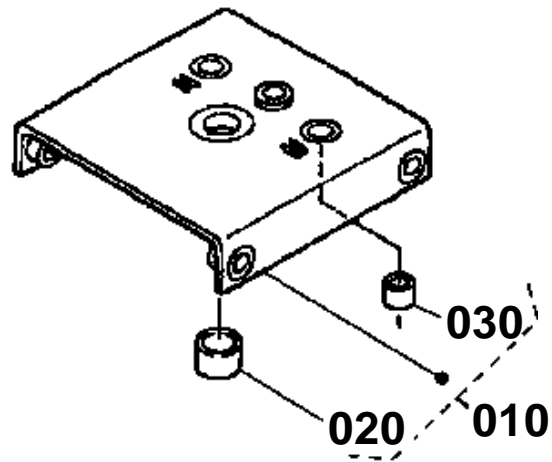
REF.No	Part No.	Description	Q'ty	S.No.	I/C	REMARKS	Weight (kgf)	Weight (lb)
010	32721-54000	ASSY BONNET	1				13	28.6
016	TA040-49650	LABEL START CAUTION	1				0.004	0.0088
017	6C040-47412	LABEL FILLER CAUTION	1				0.001	0.0022
020	32721-54120	HANDRAIL	2				0.075	0.165
030	02751-50080	NUT FLANGE	4				0.006	0.0132
040	99999-99999	BLANK	0				0	0
041	32721-54132	CUSHION	1	<=50921			0.02	0.044
042	32721-54160	CUSHION BONNET UPPER	1	>=50922			0.049	0.1078
043	32721-54170	CUSHION BONNET SIDE	2	>=50922			0.039	0.0858
050	32721-54462	SPONGE	1				0.05	0.11
060	32721-54440	SPONGE	2				0.013	0.0286
070	32721-54520	SPONGE	1				0.003	0.0066
080	6C040-54490	SPONGE	2				0	0
080	6C090-54490	SPONGE	2		«		0.004	0.0088
090	32721-54480	SPONGE	1				0.007	0.0154
100	32721-54420	SPONGE	1				0.005	0.011
110	32721-54212	NET FRONT GRILLE	1				0.055	0.121
120	01754-50610	BOLT FLANGE	4				0.006	0.0132
130	99999-99999	BLANK	0				0	0
140	32701-54260	SHAFT HINGE	1				0.65	1.43
150	03017-50610	SCREW CR-REC-BD-HD	1				0.004	0.0088
150	01053-50612	BOLT	1		«		0.004	0.0088
160	32701-54270	LINK	1				0.09	0.198
170	04011-50120	WASHER PLAIN	1				0.005	0.011
180	04613-50100	CIR CLIP EXTERNAL	1				0.002	0.0044
190	32721-54153	COMP.GRILLE	1				5.8	12.76
200	01133-51020	BOLT	6				0.02	0.044
210	32721-54180	TAPE BONNET SIDE	2	<=51187			0	0
210	32721-54190	TAPE BONNET SIDE	2	>=51188	↔		0.012	0.0264

**FENDER LH [AU]**

↔ Interchangeable; ≠ not interchangeable; ← new for old; → old for new

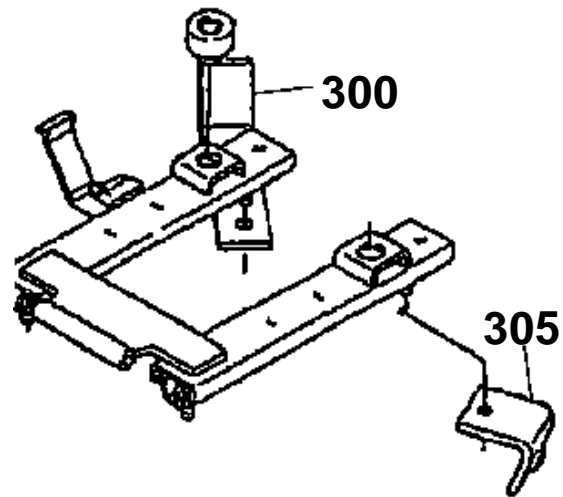
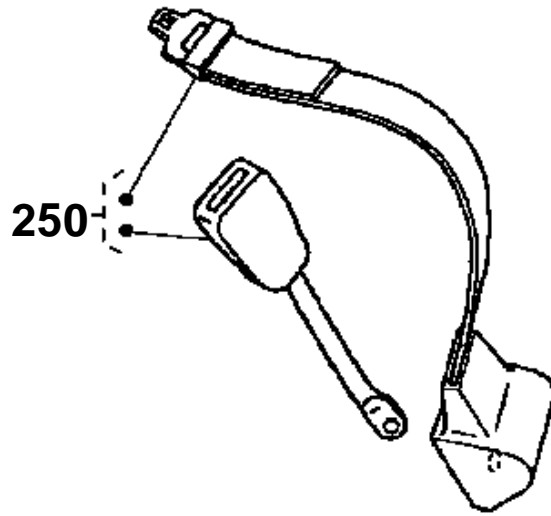
REF.No	Part No.	Description	Q'ty	S.No.	I/C	REMARKS	Weight (kgf)	Weight (lb)
010	32721-52113	GUIDE LEVER LH	1	<=51613			0	0
010	32721-52115	GUIDE LEVER LH	1	>=51614	→		0	0
010	32721-52116	GUIDE LEVER LH	1	>=52612	→		1.02	2.244
020	32721-52130	SUPPORT LEVER GUIDE	1				0.057	0.1254
030	02771-60100	NUT FLANGE	1				0.01	0.022
040	36919-56560	SCREW WITH WASHER	1				0.012	0.0264
050	01754-50816	BOLT FLANGE	2	<=61346			0.011	0.0242
050	01125-60816	BOLT	2	>=61347	→		0.01	0.022
060	37410-52230	ARM-REST	1				0.34	0.748
070	02783-50100	NUT FLANGE	2				0.01	0.022
080	99999-99999	BLANK	0				0	0
090	99999-99999	BLANK	0				0	0
100	6A100-52710	FENDER LH	1	<=54263			0	0
100	6A100-52713	FENDER LH	1	>=60001	→		3.68	8.096
110	01125-50818	BOLT	3				0.015	0.033
120	36330-87450	RING RUBBER	2				0.001	0.0022

OLD PARTS

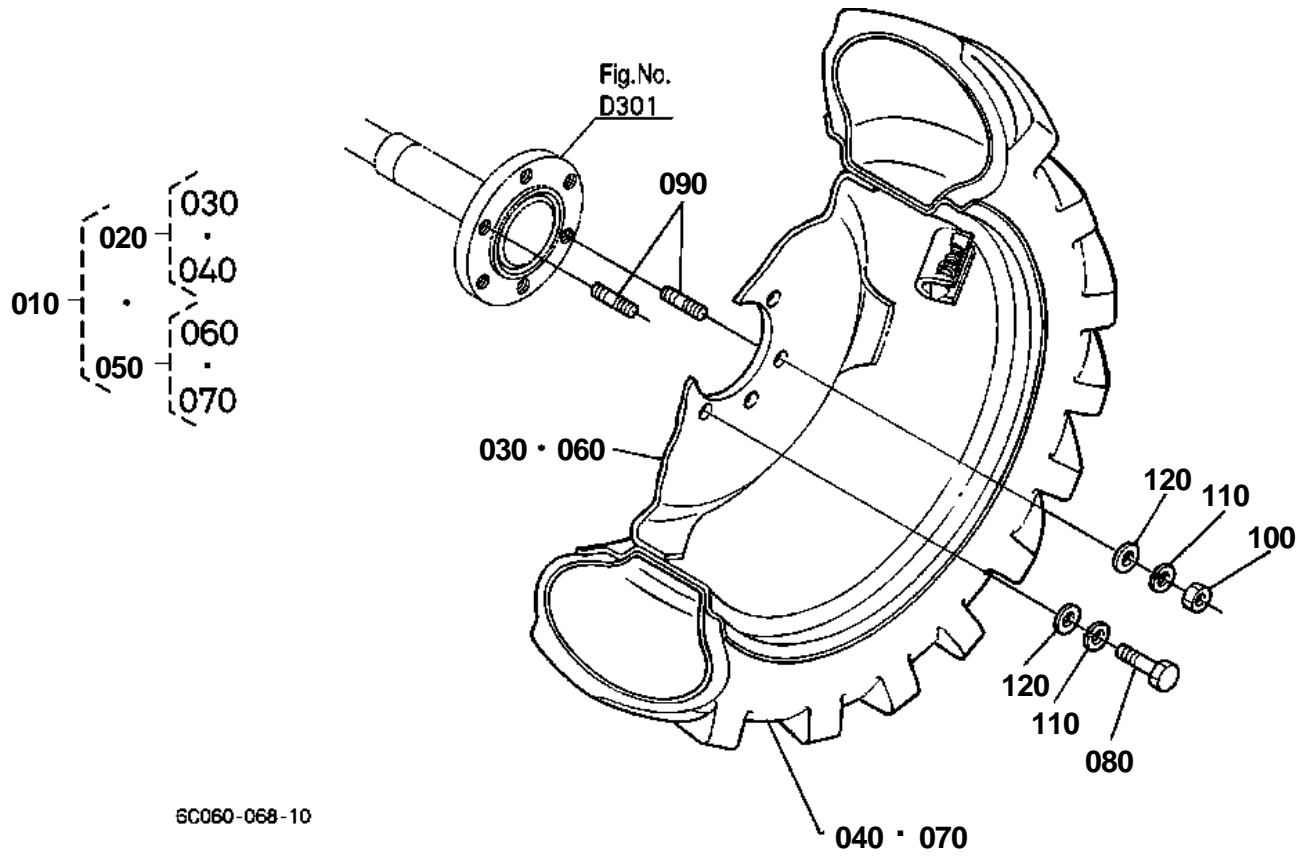


32721-833-10

OLD PARTS

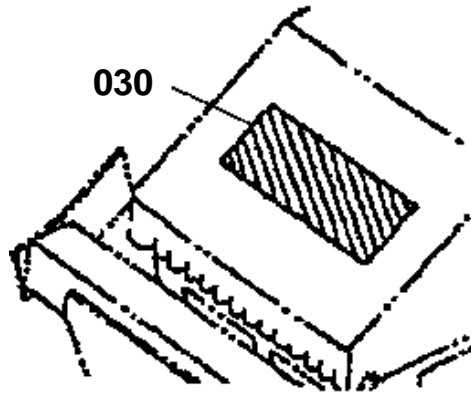


32721-834-10



6C060-068-10

OLD PARTS



32721-822-11

CLICK HERE TO **DOWNLOAD** THE COMPLETE MANUAL

- Thank you very much for reading the preview of the manual.
- You can download the complete manual from: www.heydownloads.com by clicking the link below



- Please note: If there is no response to CLICKING the link, please download this PDF first and then click on it.

CLICK HERE TO **DOWNLOAD** THE COMPLETE MANUAL