



HOLDEN COMMODORE AND HOLDEN CALAIS

“V” SERIES PARTS CATALOGUE ILLUSTRATION SECTION 1979/85

ISSUED : APRIL, 1986
CATALOGUE NO.: M39479
(SUPERSEDES M39103)

**COPYRIGHT — GENERAL MOTORS-HOLDEN'S
LIMITED** (INCORPORATED IN VICTORIA)
REPRODUCTION IN WHOLE OR IN PART
PROHIBITED WITHOUT WRITTEN APPROVAL

INTRODUCTIONSERIES/MODEL IDENTIFICATION ILLUSTRATION INDEX	
CHASSIS	
ENGINE & CLUTCH	0.000
COOLING — GRILLE — OIL SYSTEM	1.000
ENGINE ELECTRICAL — CHASSIS WIRING — EXTERIOR LAMPS	2.000
FUEL — EXHAUST — CARBURETION	3.000
TRANSMISSION	4.000
BRAKE CONTROL — BRAKE OPERATING	4.500
REAR AXLE — WHEELS	5.000
FRONT SUSPENSION — STEERING	6.000
FRAME — SPRINGS — SHOCK ABSORBERS — BUMPER BARS	7.000
FRONT END SHEET METAL — HEATER	8.000
AIR CONDITIONING — RADIO — INSTRUMENT CLUSTERS	9.000
BODY	
WINDSHIELD — WIPERS & WASHERS — MIRRORS — CONSOLES — INSTRUMENT PANEL HARDWARE — DOORS	10.000
REAR GLASS — SEAT PARTS — INTERIOR LAMPS	11.000
BODY MOULDINGS — SHEET METAL	12.000
BODY WIRING	13.000
INTERIOR TRIM — SEAT BELTS	14.000
REAR SEAT TRIM — CARPETS	15.000

CLICK HERE TO **DOWNLOAD** THE COMPLETE MANUAL

- Thank you very much for reading the preview of the manual.
- You can download the complete manual from: www.heydownloads.com by clicking the link below



- Please note: If there is no response to CLICKING the link, please download this PDF first and then click on it.

CLICK HERE TO **DOWNLOAD** THE COMPLETE MANUAL



OPTIONAL EQUIPMENT AND HOW TO INTERPRET

As optional equipment which includes items such as Engines, Transmissions Rear Axles etc., together with alternate types and colours of interior trim is available to the customers choice, the cataloguing of replacement parts, where differences exist, has been achieved by stipulating the type of equipment against the specific part. Familiarity with Option Numbers may assist in determining correct parts required. - Refer Production Option Availability Code Listing.

The method used to indicate major parts or equipment is as follows:-

ENGINE

- L4** 4 Cylinder. - Further qualified as necessary.
- L6** 6 Cylinder. - Further qualified as necessary.
- V8** 8 Cylinder. - Further qualified as necessary.

NOTE:- Additional identification, if required, is provided by reference to the Engine Number Prefix - Refer section "Assigned Engine Codes and related Data"

TRANSMISSION

- (M)** - Manual Transmission. - Further qualified as necessary.
- (A)** - Automatic Transmission. - Further qualified as necessary.

BRAKES

- Rear Drum Brakes** Drum Brakes on Rear Wheels.
- Rear Disc Brakes** Disc Brakes on Rear wheels.

BODY

- Body Style Code** 19 Sedan - 4 Door 6 Window.
- Body Style Code** 69 Sedan - 4 Door 4 Window.
- Body Style Code** 35 Station Wagon.

REPLACEMENT PARTS INTERPRETATION

Stampings and Plates attached to Passenger vehicles display coded information which could be significant to parts interpretation. It is essential when compiling Warranty Claims or Product and Field reports, that the Vehicle Identification Number (V.I.N) be quoted in-conjunction with the identification number of the component affected.

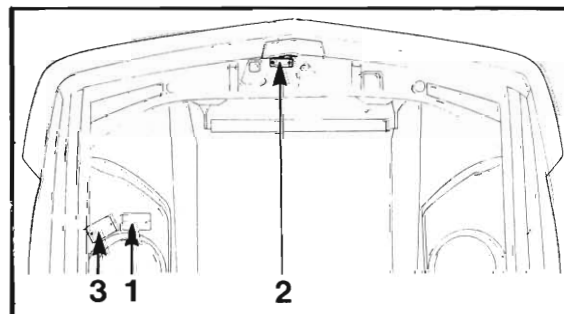
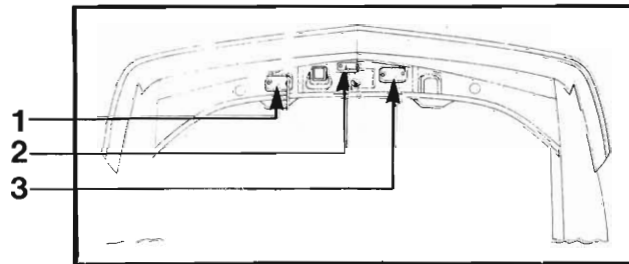
LOCATION OF IDENTIFICATION PLATES

Plates are attached as follows:-

"VB, VC, VH" to Dec. 1981.
To the Top Face of the Hood Lock Support Panel in the engine compartment.

"VH" from January 1982, **"VK"**.
To the upper Face of the Right Hand Wheelhouse Panel, directly behind the strut tower in the engine compartment.

- 1. SAFETY COMPLIANCE PLATE.
- 2. VEHICLE IDENTIFICATION PLATE.
- 3. BODY IDENTIFICATION PLATE.





SERIES/MODEL IDENTIFICATION

VH



FIGURE 25. CODE

8VK69 Commodore "SL" Sedan - 4 Cylinder Engine

INTRODUCED

September, 1981.

VH



FIGURE 26. CODE

8VK69 Commodore "SL" Sedan - 6 & 8 Cylinder Engine

Included in the Options available with this model:-

1. Production Option:- **A9K** - FLEET PACKAGE
2. Production Option:- **XV2** - "SS COMMODORE"
3. Production Option:- **XW4** - "VACATIONER"
4. Production Option:- **XY8** - "VACATIONER No. 2"
5. Production Option:- **A8A** - "VACATIONER No. 3"

INTRODUCED

September, 1981

September, 1981

Refer Fig. 27

Refer Fig. 28

Refer Fig. 28

Refer Fig. 28

VH

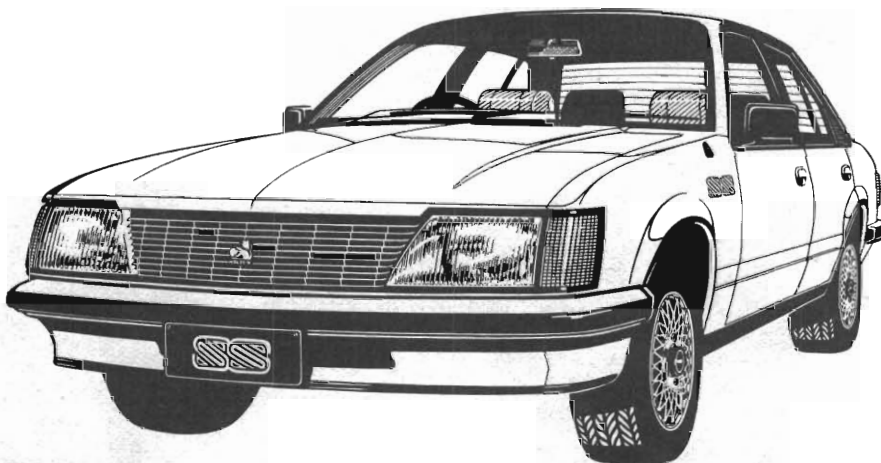


FIGURE 27. CODE

8VK69 "SS" Commodore - 8 Cylinder Engine

INTRODUCED

September, 1982



ENGINE INDEX

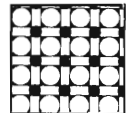
ENGINE PARTS ARE LISTED AS FOLLOWS:-

SECTION 1. L4 CYLINDER ENGINE ASSEMBLY

- 1.9 LITRE HIGH COMPRESSION

ENGINE CODE D

PAGE EDGE CODE

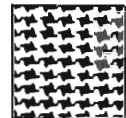


SECTION 2. L6 CYLINDER ENGINE ASSEMBLY

- 2.85 LITRE HIGH COMPRESSION
- 3.3 LITRE LOW COMPRESSION
- 3.3 LITRE HIGH COMPRESSION

ENGINE CODE K

PAGE EDGE CODE

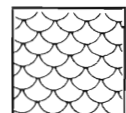


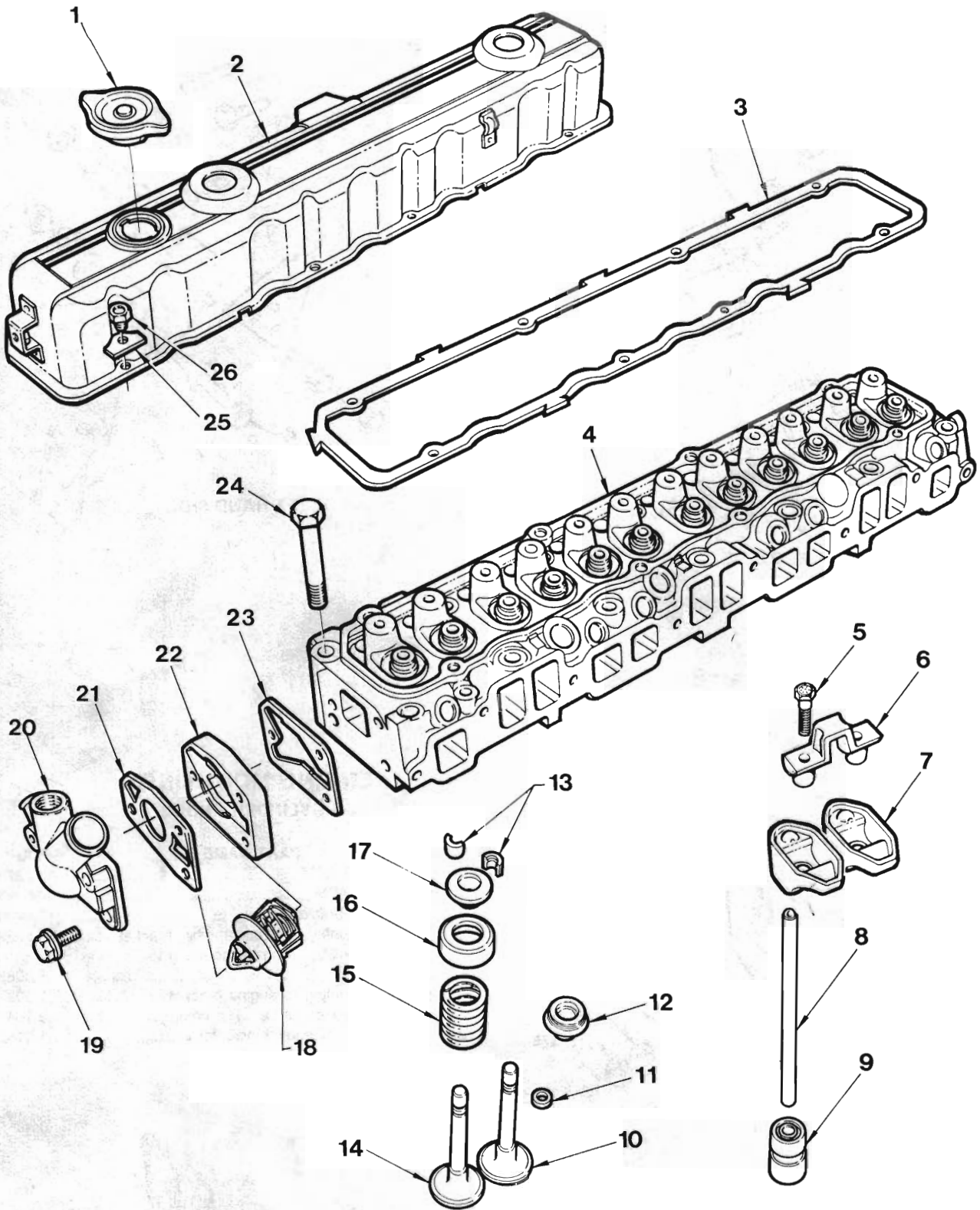
SECTION 3. V8 CYLINDER ENGINE ASSEMBLY

- 4.2 LITRE HIGH COMPRESSION
- 5.0 LITRE HIGH COMPRESSION

ENGINE CODE T

PAGE EDGE CODE



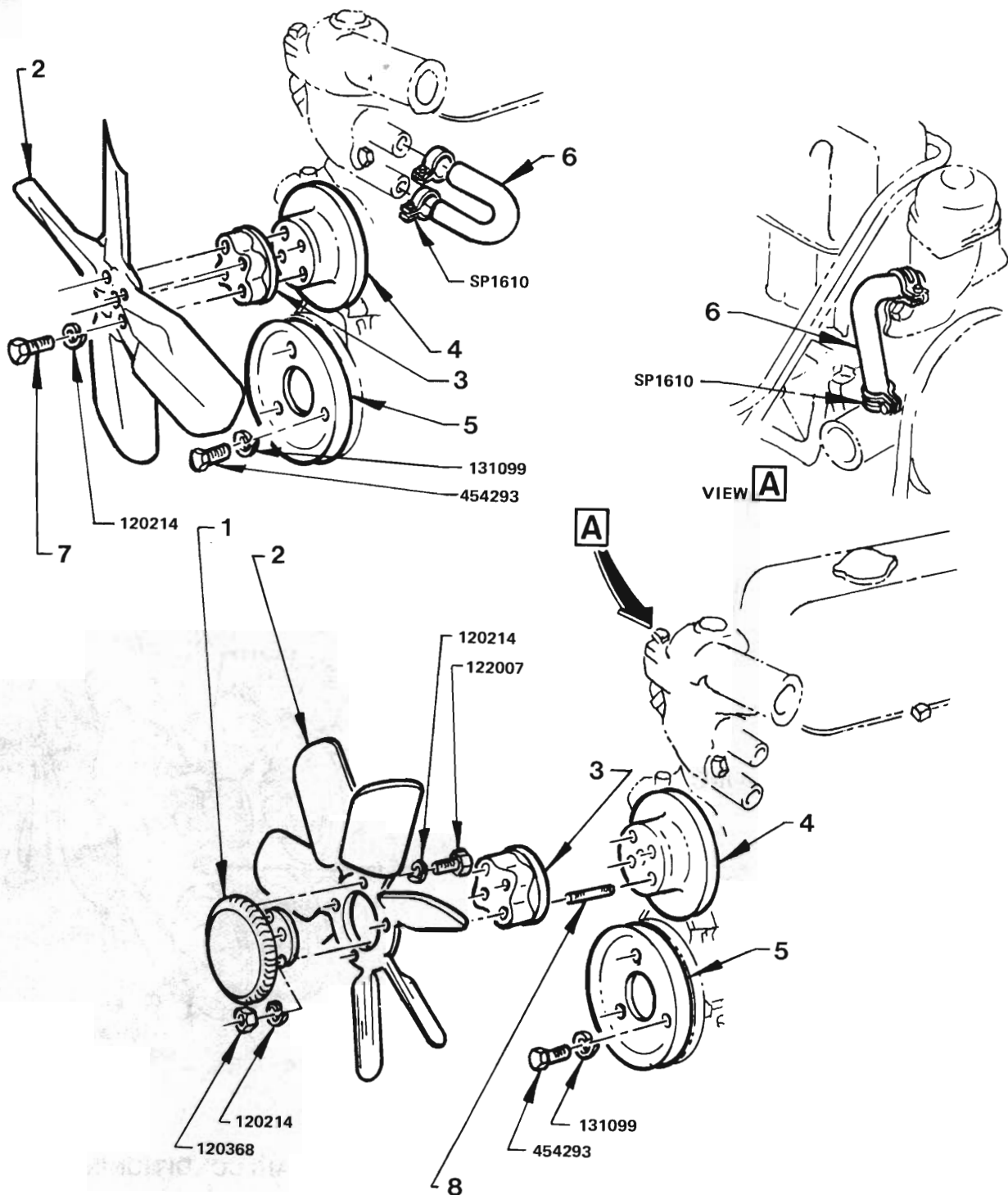




**CYLINDER HEAD
8 CYLINDER ENGINE**

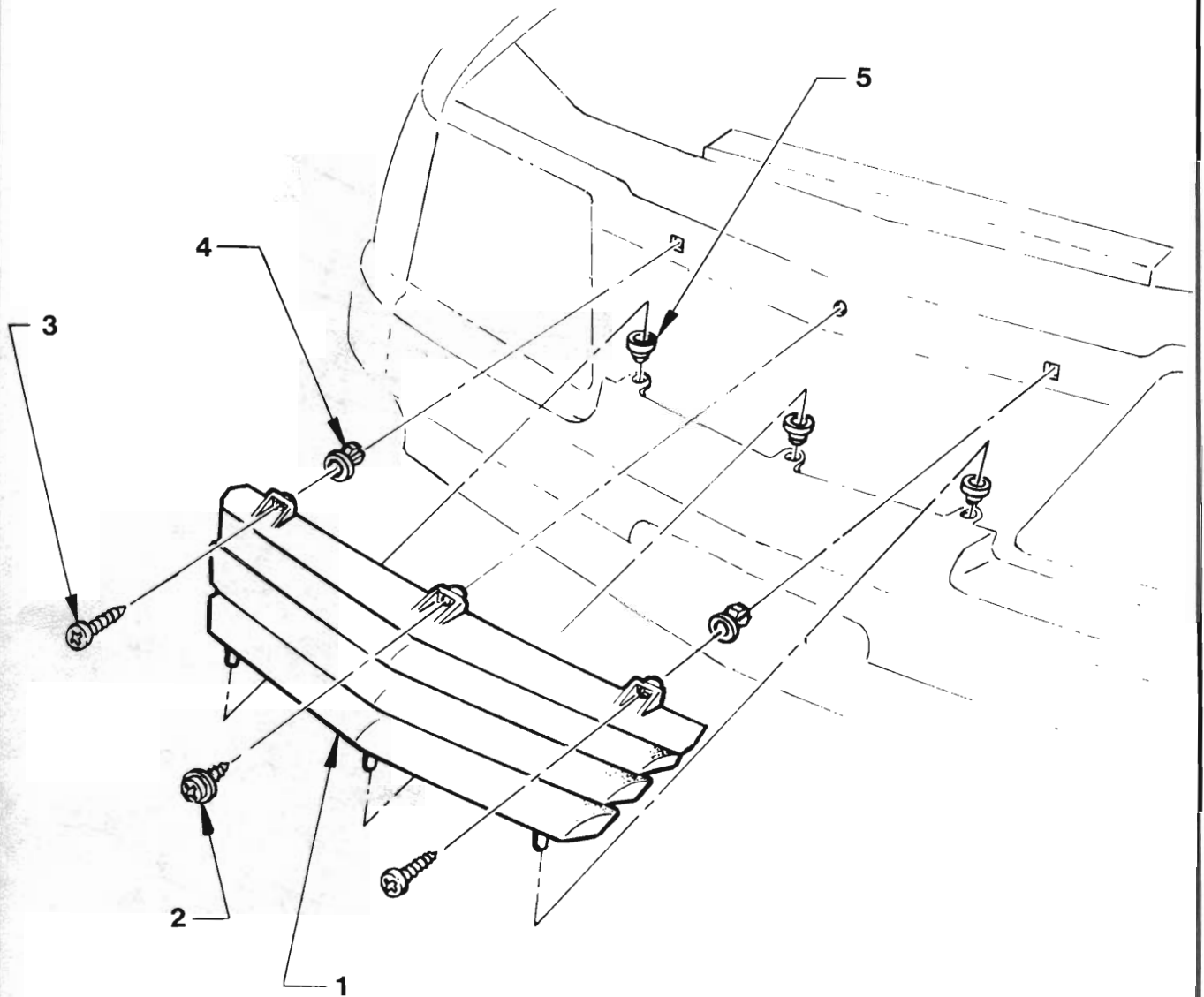
ILLUSTRATION OPPOSITE

REF. NO.	PART NAME	GROUP
1	GASKET - Oil filler cap.....	1.758
2	CAP ASM. - Oil filler	1.758
3	COVER ASM. - Valve rocker	0.386T
4	REINFORCEMENT - Valve rocker cover.....	0.413T
5	BOLT - Valve rocker cover.....	0.413T
6	WASHER - Valve rocker cover.....	0.413T
7	GASKET - Valve rocker cover.....	0.423T
8	BOLT - Cylinder head, 4 1/4" long.....	0.293T
9	BOLT - Cylinder head, 1 11/16" long	0.293T
10	GASKET - Cylinder head.....	0.289T
11	WASHER - Exhaust manifold to cylinder head....	3.275
12	BOLT - Exhaust manifold to cylinder head	3.275
13	PLATE - Bolt lock.....	3.275
14	STUD - Manifold to exhaust pipe.....	3.275
15	SCREW - Stove to manifold	3.417
16	STOVE ASM. - Air cleaner air pre heat.....	3.417
17	MANIFOLD ASM. - Exhaust.....	3.601
18	HEAD - Cylinder.....	0.269T
19	GASKET - Inlet manifold	3.270
20	RETAINER - Inlet manifold gasket	3.270



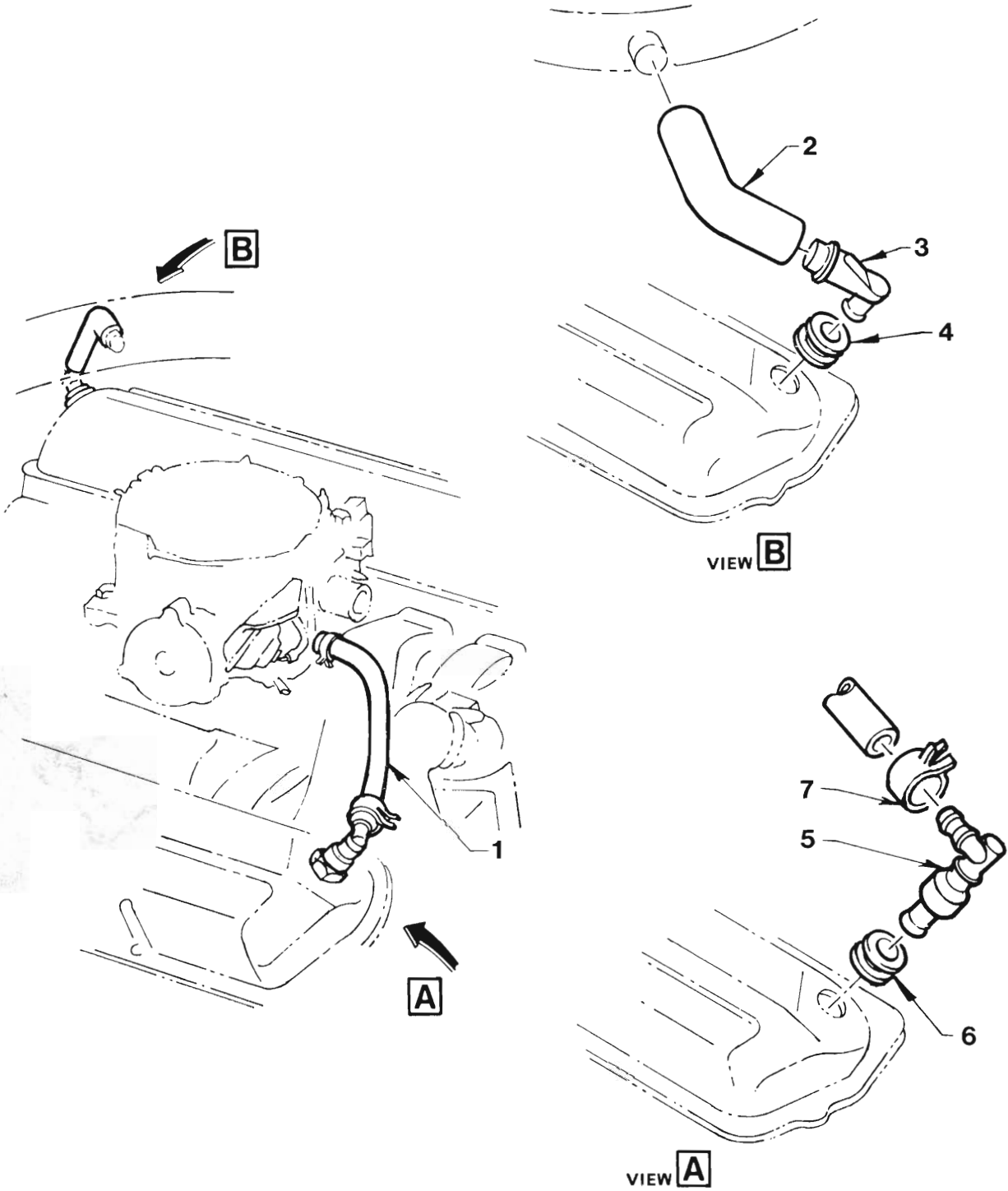
**FAN & PULLEY
6 CYLINDER ENGINE**

REF. NO.	PART NAME	GROUP
1	CLUTCH ASM. - Fan.....	1.050
2	BLADE ASM. - Fan.....	1.064
3	SPACER - Fan.....	1.064
4	PULLEY - Water pump & fan.....	1.062
5	PULLEY - Crankshaft.....	0.659K
6	HOSE - By pass.....	1.097
7	BOLT - Fan, spacer & pulley to hub.....	1.064
8	STUD - Clutch, spacer & pulley to hub.....	1.050



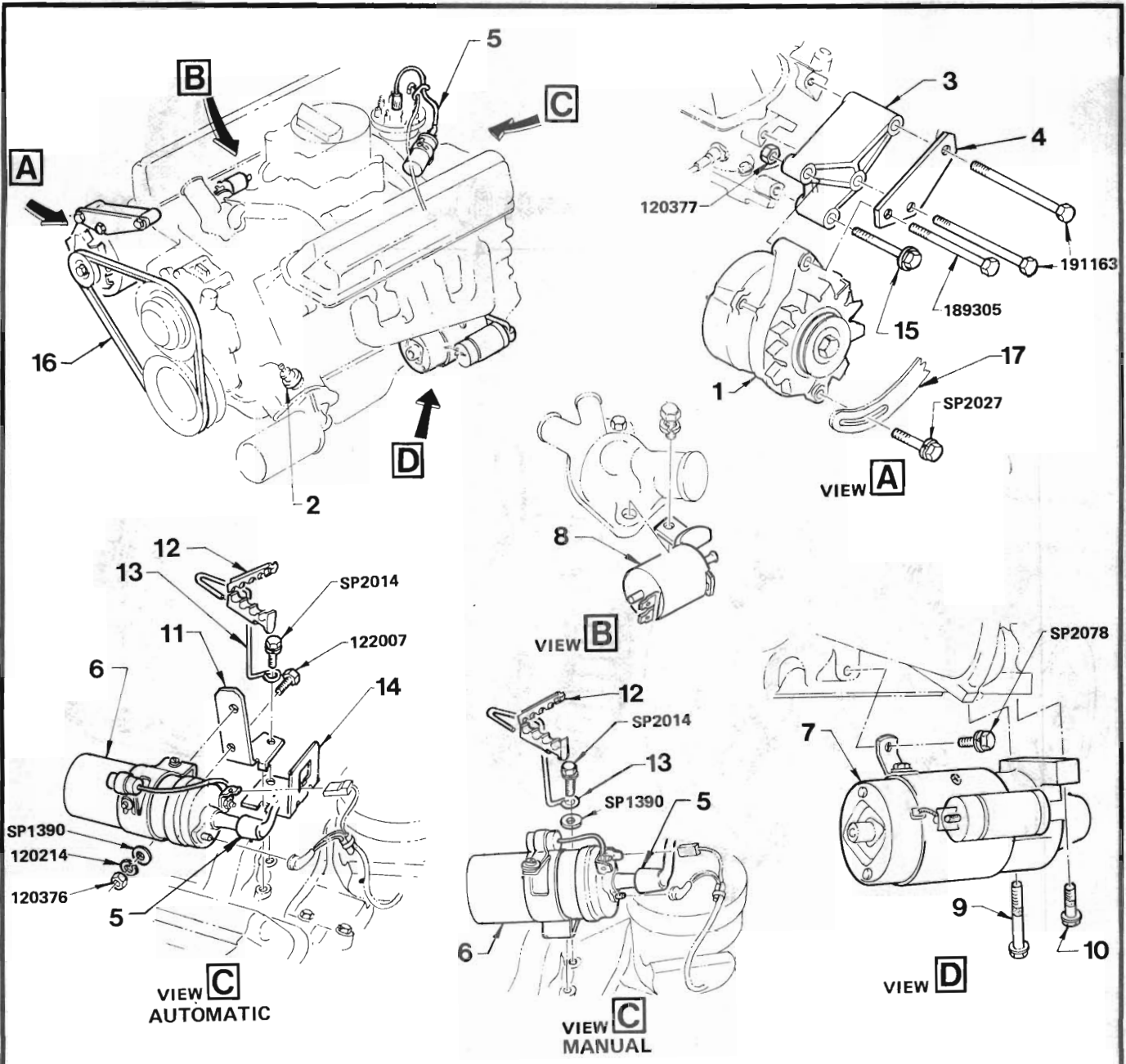
**RADIATOR GRILLE
VK SERIES**

REF. NO.	PART NAME	GROUP
1	GRILLE ASM. - Radiator	1.266
2	SCREW - Grille upper centre.....	1.266
3	SCREW - Grille upper side	1.266
4	NUT - Grille upper	1.266
5	GROMMET - Grille mounting lower	1.266



ENGINE VENTILATION
8 CYLINDER ENGINE
VC, VH, VK SERIES

REF. NO.	PART NAME	GROUP
1	HOSE - Valve to carburettor.....	1.762
2	HOSE - Breather outlet connector to air cleaner	1.762
3	CONNECTOR - Breather outlet hose.....	1.762
4	GROMMET - Breather outlet hose connector.....	1.745
5	VALVE ASM. - Crankcase ventilator.....	1.745
6	GROMMET - Crankcase ventilator valve.....	1.745
7	CLAMP - Valve hose to manifold.....	1.750

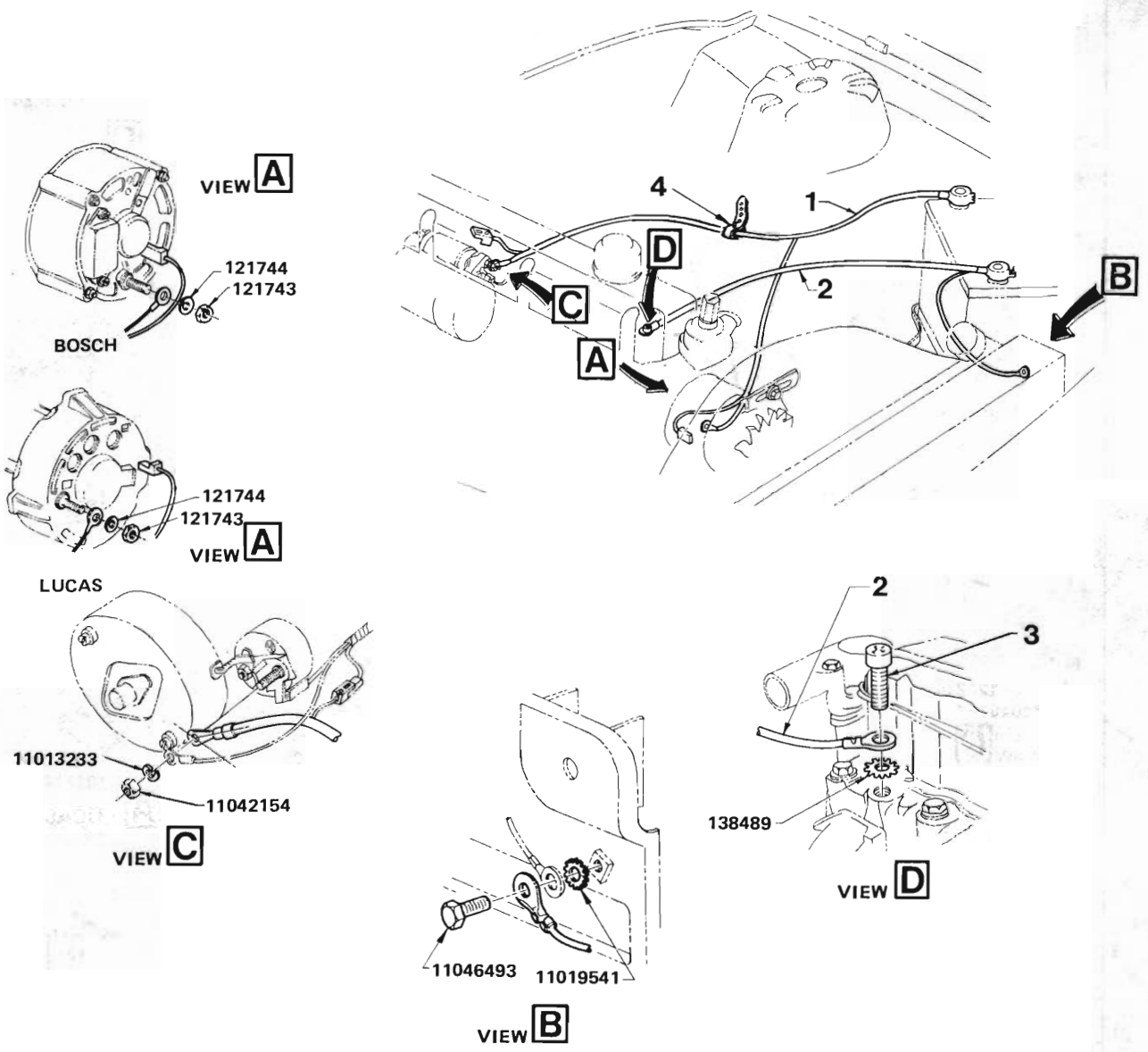


ENGINE ELECTRICAL UNITS

**8 CYLINDER ENGINE
VC, VH, VK SERIES**

REF. NO.	PART NAME	GROUP	REF. NO.	PART NAME	GROUP
1	ALTERNATOR ASM.....	2.275	9	BOLT - Starter motor to engine, Long.....	2.042
2	SWITCH - Oil pressure warning lamp.....	1.800	10	BOLT - Starter motor to engine, Short.....	2.042
2	SENDER UNIT - Oil pressure gauge.....	1.800	11	BRACKET - Ignition coil.....	2.183
3	SUPPORT - Alternator mounting, Rear.....	2.277	12	CLIP - Lead retaining.....	2.251
4	BRACKET - Alternator mounting, Front.....	2.277	13	SUPPORT - Spark plug lead - Rear.....	2.251
5(A)	LEAD ASM. - Distributor to coil.....	2.240	14	BRACKET - Detent actuating cable to engine....	4.050W
6	COIL ASM. - Ignition.....	2.170	15	BOLT - Support to cylinder head.....	2.277
7	MOTOR ASM. - Starter.....	2.041	16	BELT - Fan & alternator.....	1.066
8	SOLENOID ASM. - Transmission controlled spark switch.....	2.408	17	BRACE - Alternator adjusting.....	2.317

NOTE:- (A Parts included in LEAD KIT - Spark plug & distributor. Refer Group 2.239



BATTERY LEADS
6 CYLINDER ENGINE
VB, VC SERIES

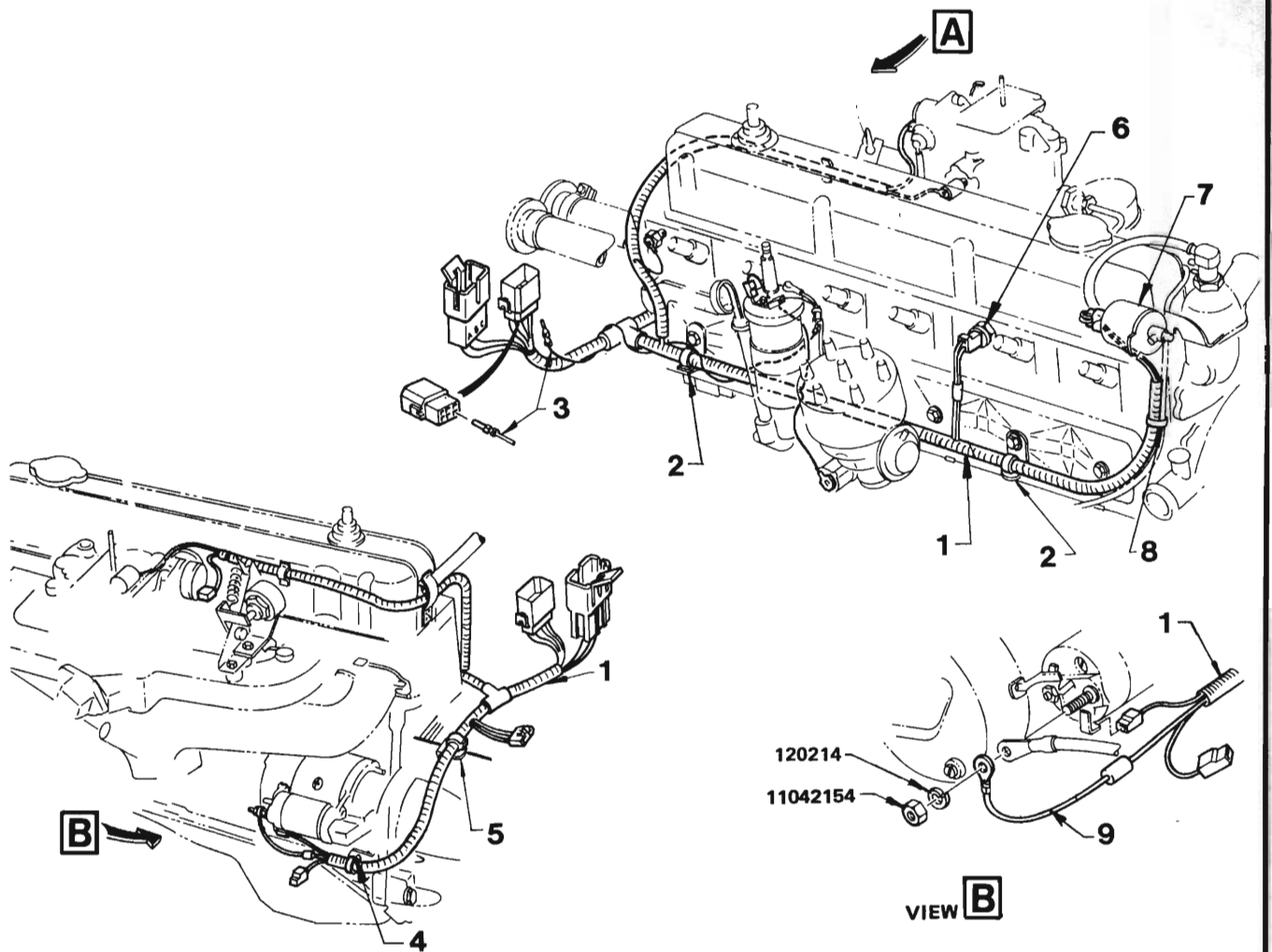
REF. NO.	PART NAME	GROUP
1	CABLE ASM. - Starter	2.342
2	CABLE & LEAD ASM. - Battery earth.....	2.341
3	BOLT - Cable to cylinder head	2.343
4	STRAP - Cable to fender skirt.....	2.343



**DISTRIBUTOR
BOSCH
8 CYLINDER ENGINE
VC, VH, VK SERIES**

ILLUSTRATION OPPOSITE

REF. NO.	PART NAME	GROUP
1-13	DISTRIBUTOR ASM.....	2.361
1	VACUUM CONTROL ASM.....	2.410
2	COVER - Module.....	2.383
3	CONNECTOR - Module.....	2.383
4	MODULE SET.....	2.383
5	CAP.....	2.367
6	RING - Distributor cap.....	2.368
7	ROTOR.....	2.382
8	SENSOR & RELUCTOR KIT.....	2.383
9	SHAFT - With weights.....	2.372
10	BUSH & FELT KIT.....	2.363
11	GEAR & PIN.....	2.374
12	SMALL PARTS KIT.....	2.361
13	HOUSING.....	N.S.
14	CLIP - Cap to ring retaining.....	2.368
15	CLIP - Ring to housing.....	2.368



VIEW **A**

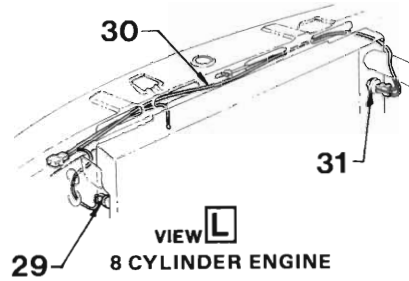
VIEW **B**

ENGINE HARNESS
6 CYLINDER ENGINE EXC. AIR PUMP
VH SERIES

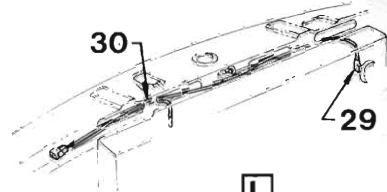
REF. NO.	PART NAME	GROUP
1	HARNESS ASM. - Engine.....	2.525
2	BRACKET - Harness to push rod cover.....	2.559
3	LEAD ASM. - Tachometer.....	9.750
4	BRACKET - Harness to starter motor.....	2.559
5	BRACKET - Harness to clutch/converter housing.....	2.559
6	SWITCH ASM. - Cold feed.....	2.408
7	SOLENOID - Transmission controlled spark switch.....	2.408
8	STRAP - Harness to fuel pipe.....	2.559
9	LEAD - Fusible link.....	2.530



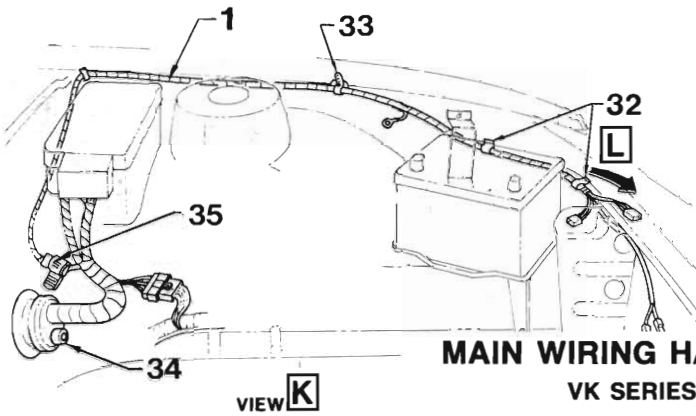
"V" SERIES PARTS CATALOGUE



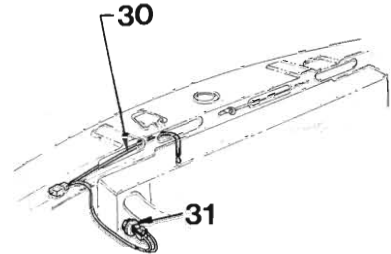
VIEW L
8 CYLINDER ENGINE



VIEW L
6 CYLINDER ENGINE



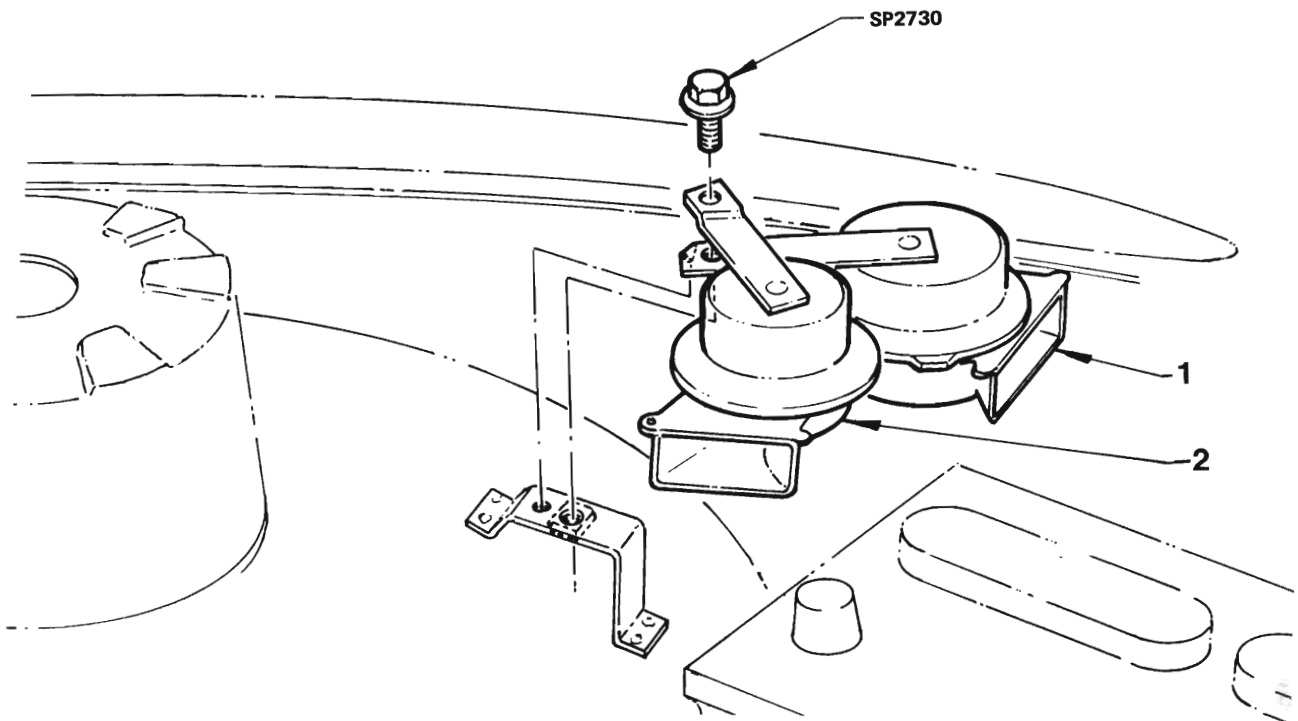
MAIN WIRING HARNESS
VK SERIES



VIEW L
4 CYLINDER ENGINE

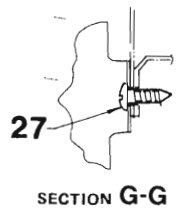
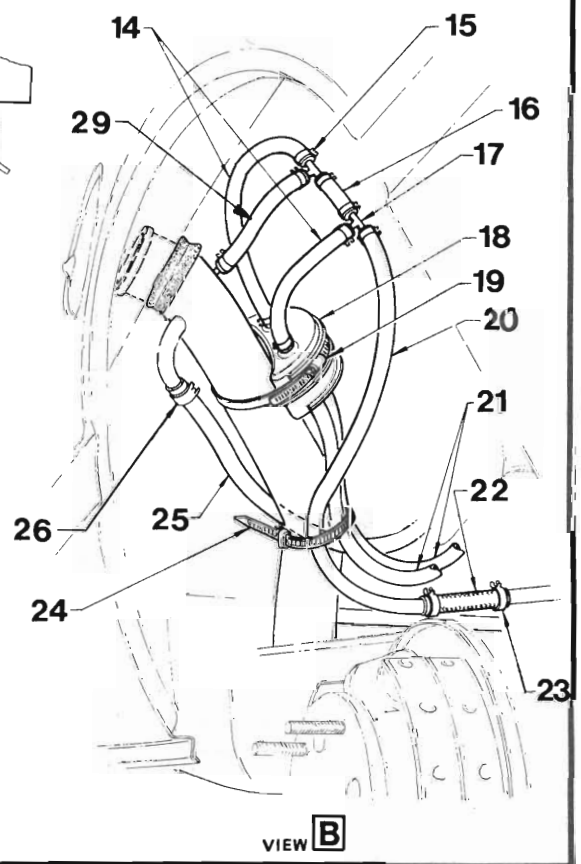
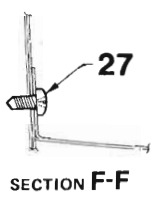
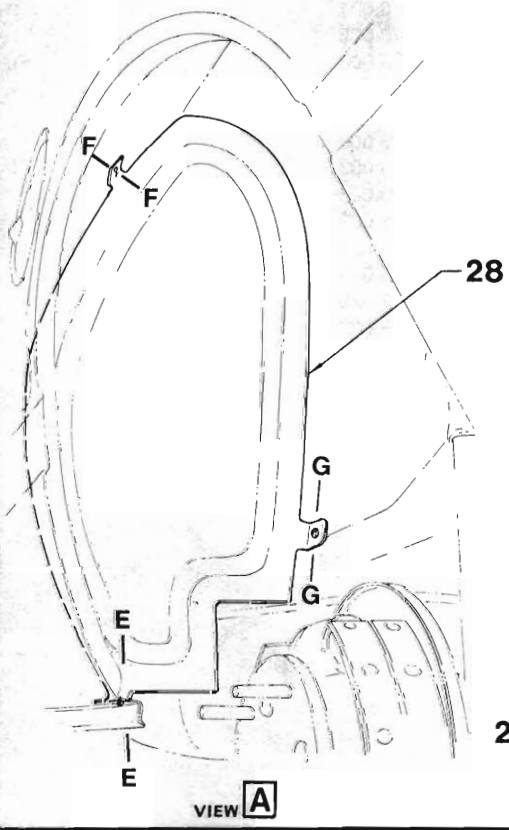
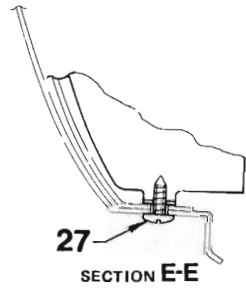
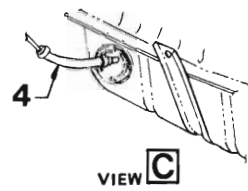
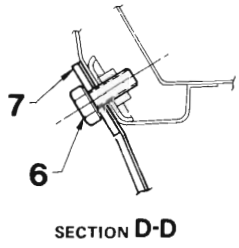
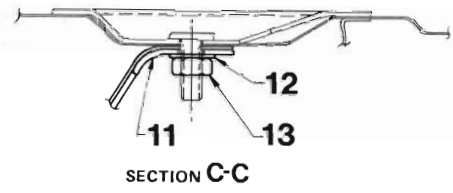
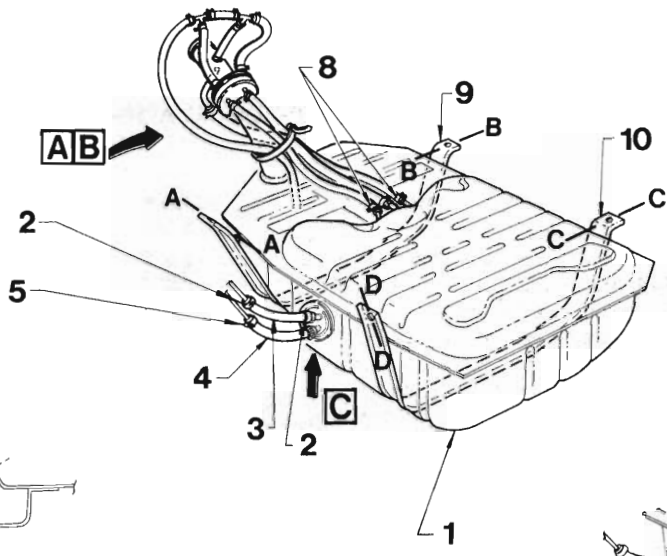
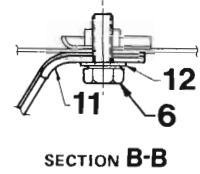
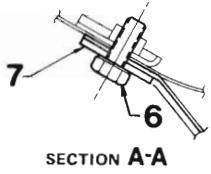
ILLUSTRATION ABOVE & OPPOSITE

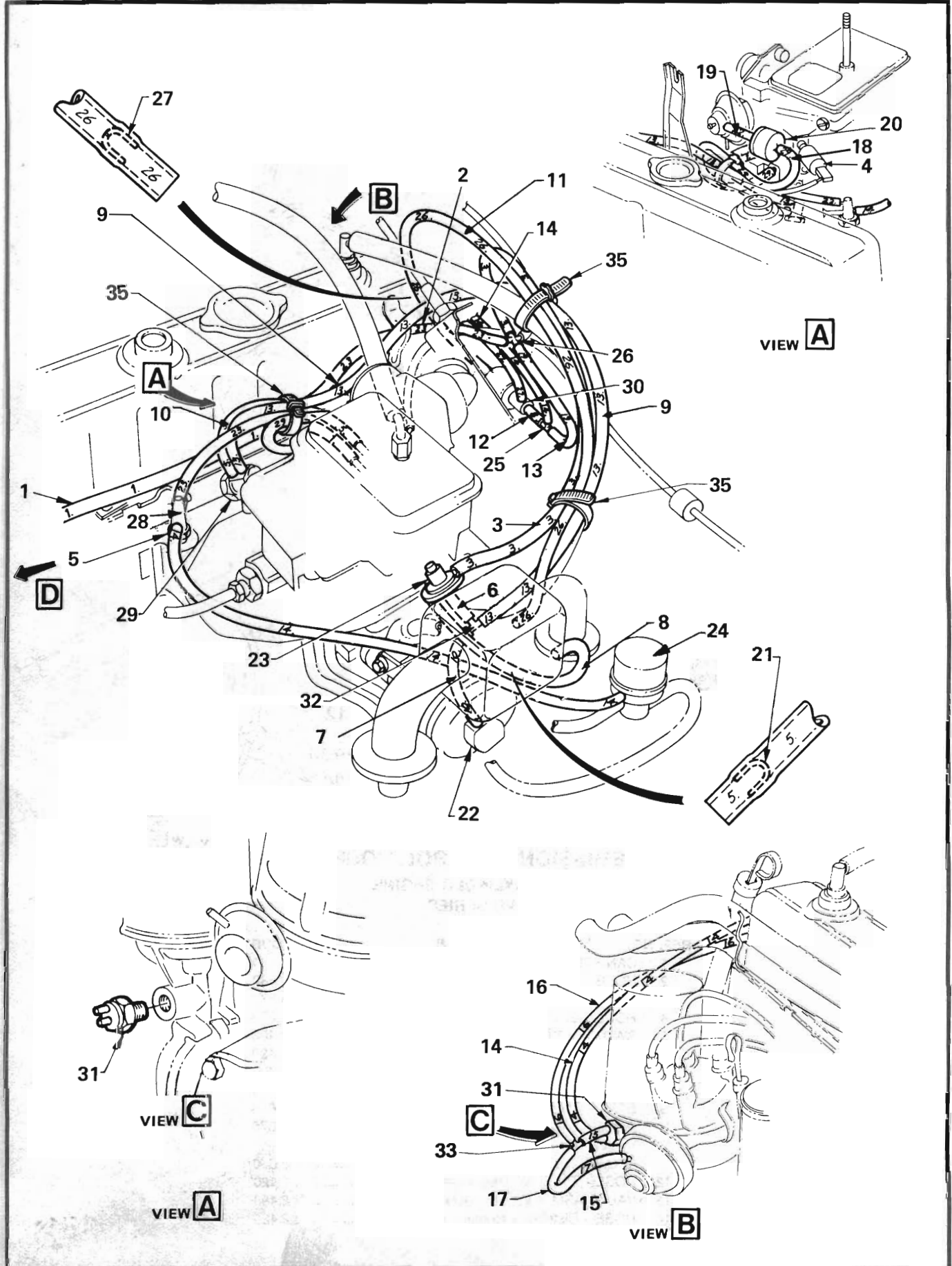
REF. NO.	PART NAME	GROUP
1	HARNESS ASM. - Main wiring & body.....	2.480
2	SWITCH ASM. - Front & rear door.....	11.950
3	MODULE ASM. - Electronic spark timing.....	2.383
4	SCREW - Module to dash side.....	2.383
5	SWITCH ASM. - Stop lamp.....	2.447
6	CONTROL ASM. - Dwell.....	10.163
7	SCREW - Control to front boy pillar.....	10.163
8	SWITCH ASM. - Ignition & starting.....	2.188
9	BULB - Dwell control potentiometer.....	10.163
10	SCREW - Housing to potentiometer.....	10.163
11	HOUSING ASM. - Dwell control potentiometer lamp.....	10.163
12	NUT - Dwell control potentiometer.....	10.163
13	LENS ASM. - Dwell control.....	10.163
14	KNOB - Dwell control potentiometer.....	10.164
15	WASHER - Dwell control potentiometer.....	10.163
16	POTENTIOMETER & HARNESS ASM.....	10.163
17	STRAP - Harness to brake pedal mounting.....	2.483
18	SCREW - Switch attaching.....	11.950
19	HARNESS ASM. - Engine.....	2.525
20	STRAP - Main wiring grommet.....	2.483
21	SCREW - Coolant level sensor module to instrument carrier.....	1.150
22	MODULE ASM. - Coolant level sensor.....	1.150
23	FLASHER ASM. - Hazard warning.....	2.892
24	CLIP - Hazard warning flasher.....	2.892
25	FLASHER ASM. - Turn signal.....	2.892
26	CLIP - Turn signal flasher.....	2.892
27	MODULE ASM. - Electronic fuel injection.....	3.299
28	SCREW - Module to dash side.....	3.299
29	PROBE ASM. - Coolant level sensor.....	1.150
30	LEAD ASM. - Fan.....	1.055
31	SWITCH - Auxilliary fan thermostat.....	1.055
32	CLIP - Harness to front panel upper.....	2.483
33	STRAP - Harness to front fender.....	2.483
34	BOOT - Main wiring grommet.....	2.483
35	STRAP - Harness to front fender.....	2.483



**HORNS
VB, VC SERIES**

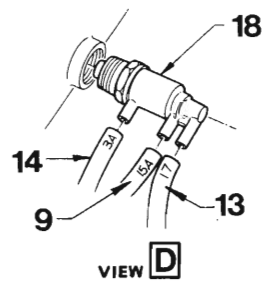
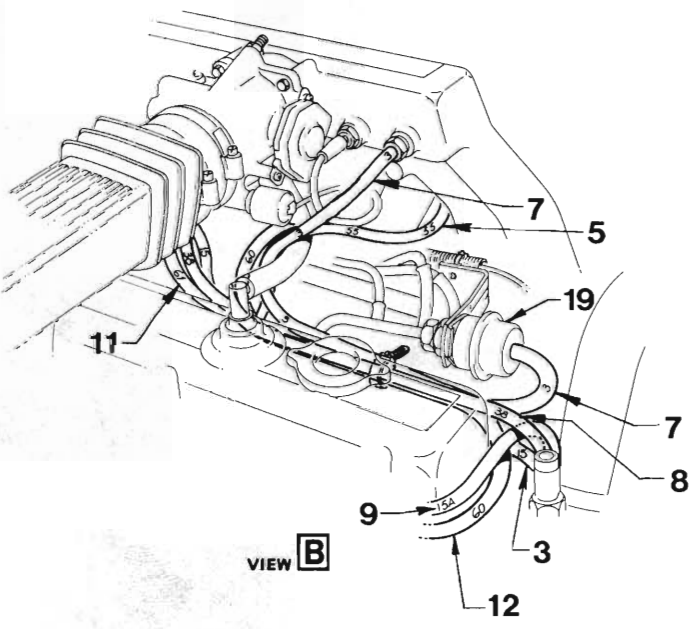
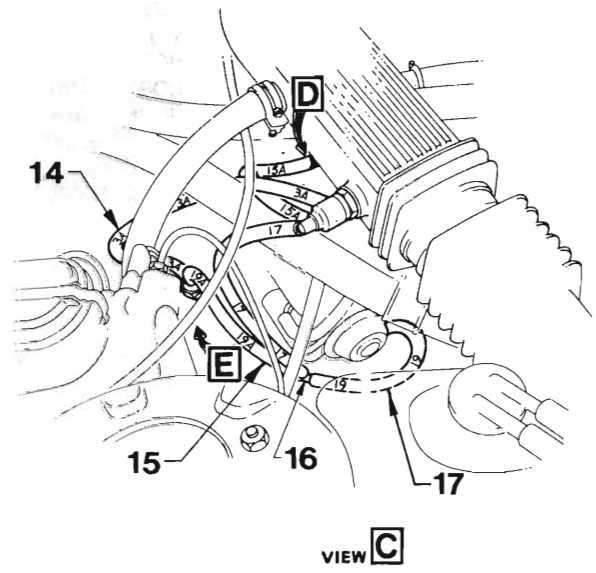
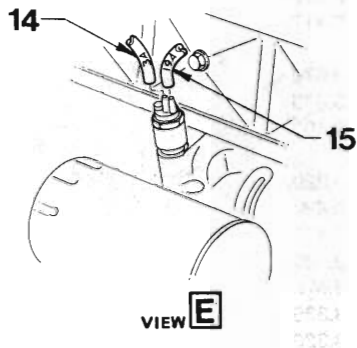
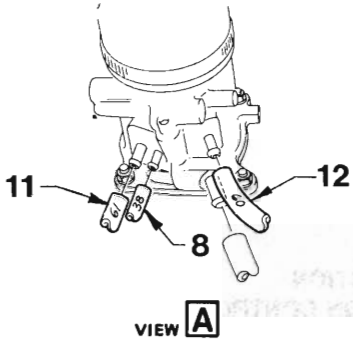
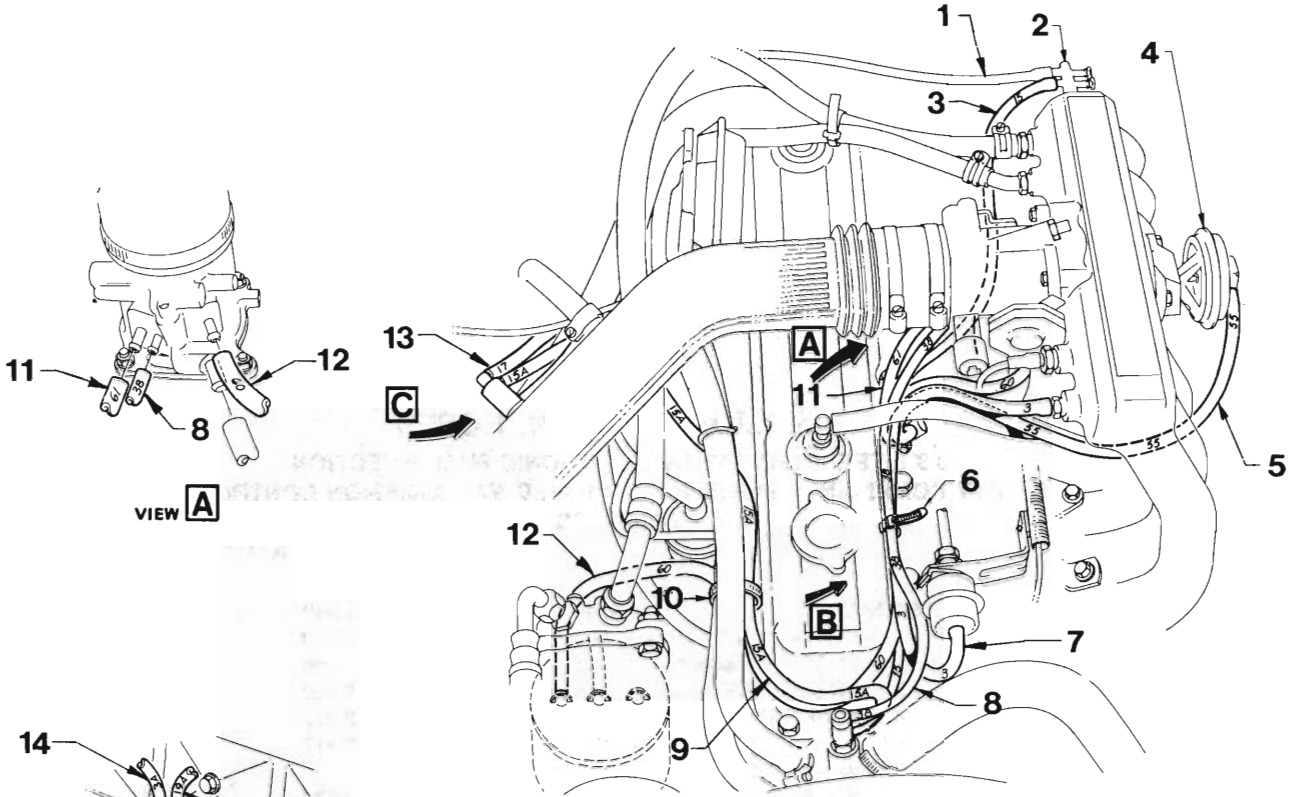
REF. NO.	PART NAME	GROUP
1	HORN - Low note.....	2.810
2	HORN - High note.....	2.810

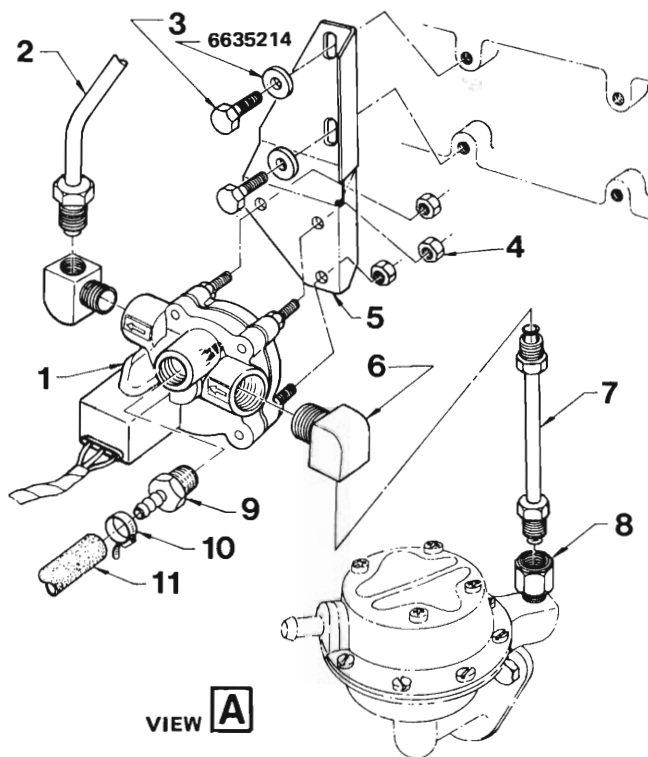
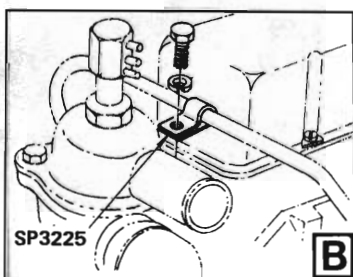
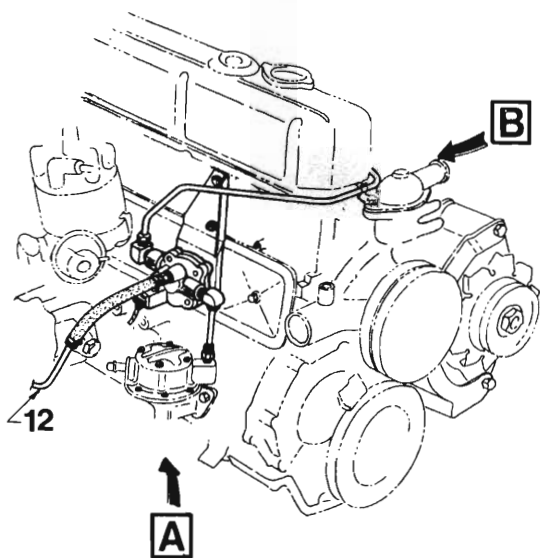






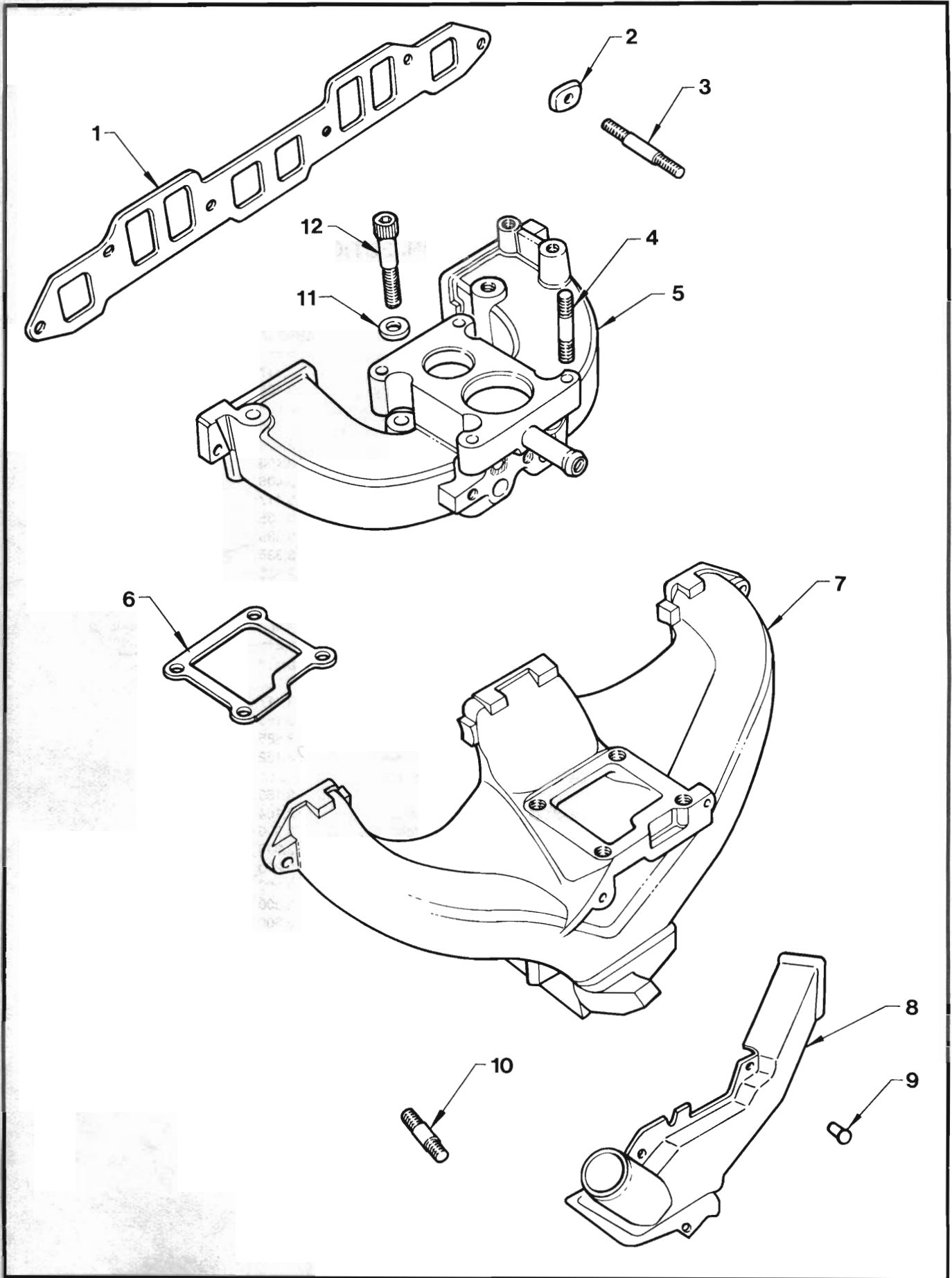
"V" SERIES PARTS CATALOGUE

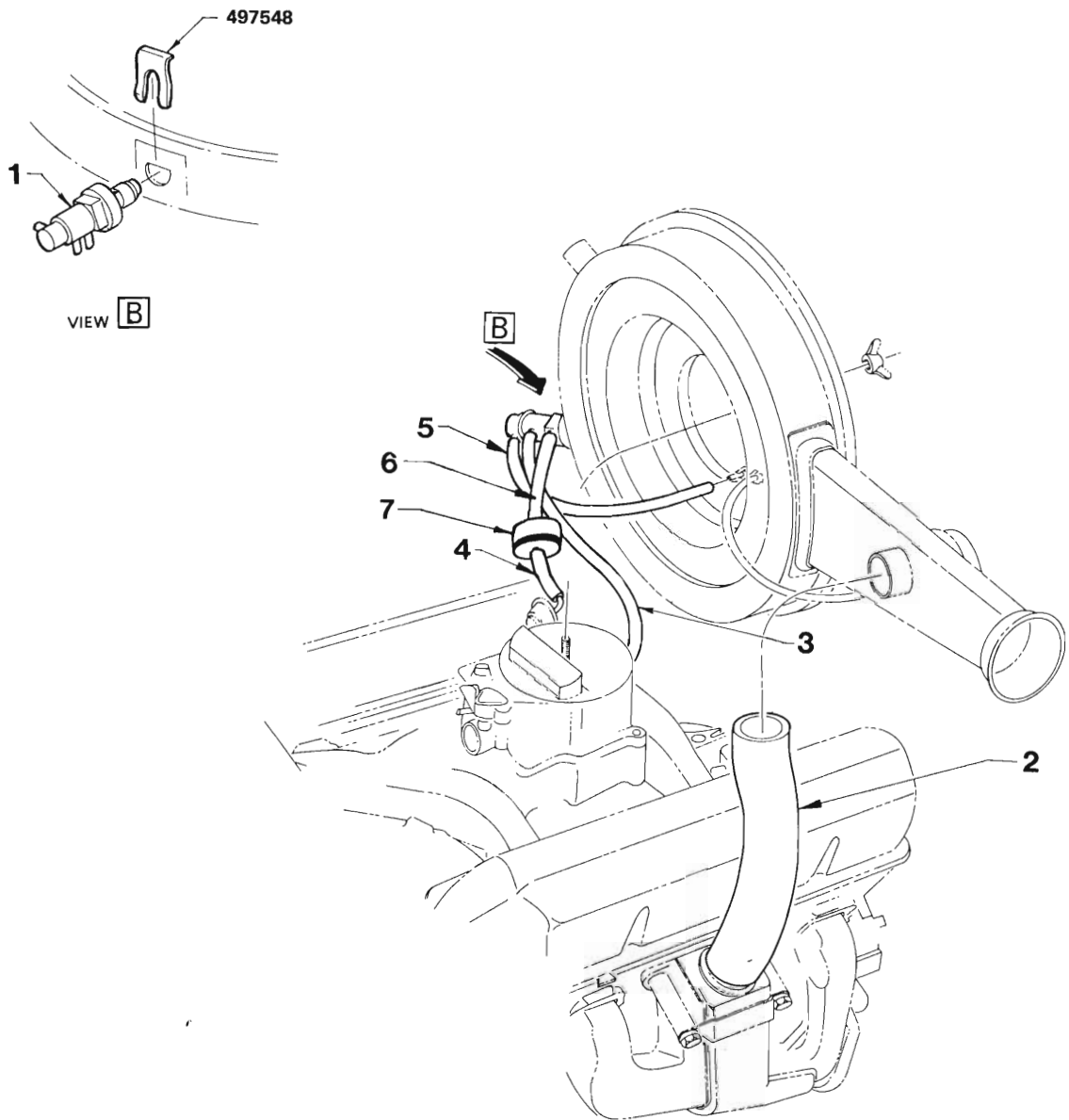




FUEL FLOW SENSOR - TRIP COMPUTER
3.3 LITRE ENGINE
VH SERIES

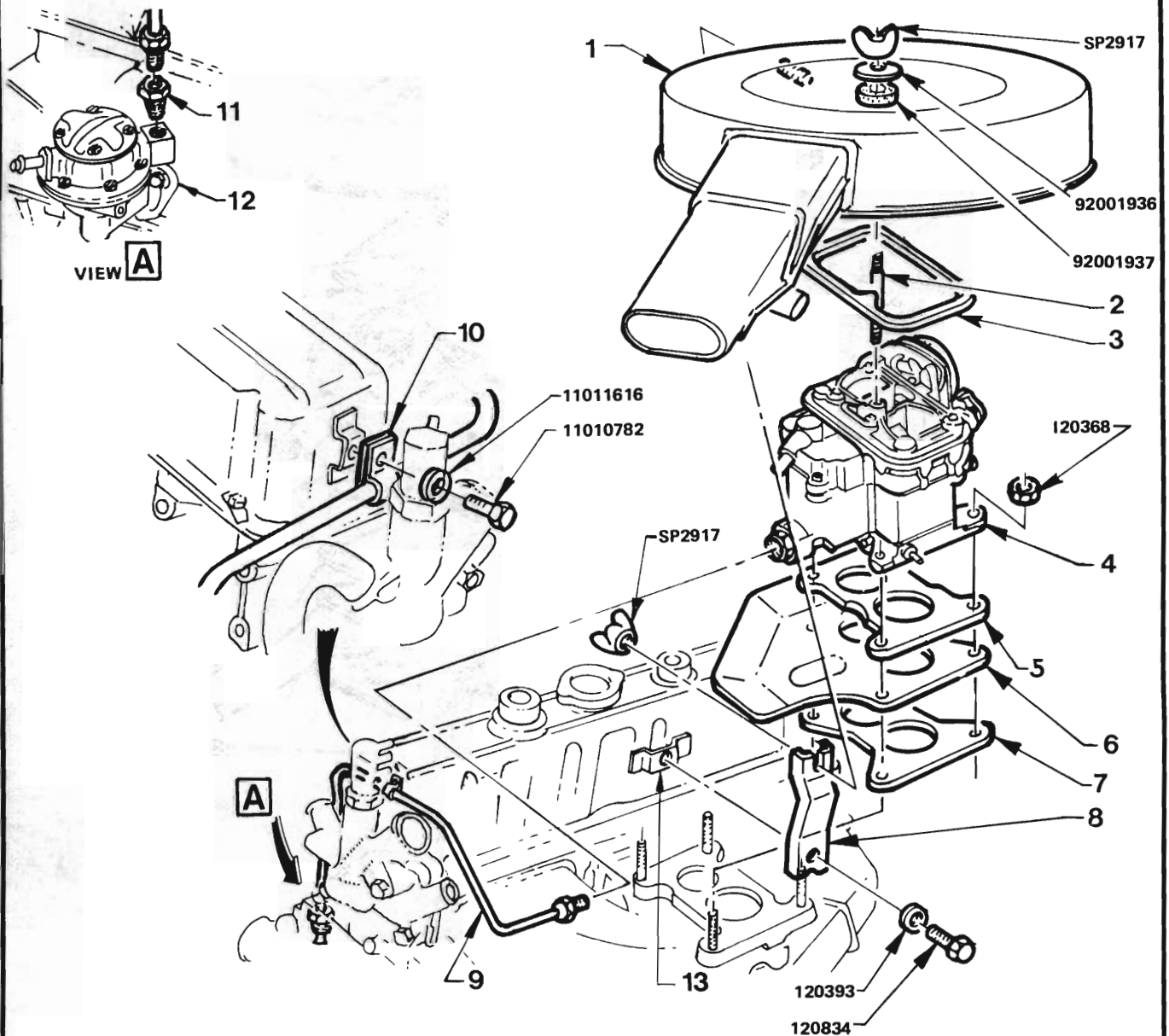
REF. NO.	PART NAME	GROUP
1	METER ASM.	3.164
2	PIPE ASM. - Flow meter to carburettor	3.163
3	SCREW - Support to cylinder head.....	3.164
4	NUT - Flow meter to support	3.164
5	SUPPORT - Flow meter	3.164
6	ELBOW - Flow meter.....	3.164
7	PIPE - Fuel pump to flow meter	3.163
8	CONNECTOR - Fuel pipe to pump.....	3.163
9	CONNECTOR - Vapour return hose to flow meter.....	3.120
10	CLAMP - Hose to adaptor & pipe.....	3.120
11	HOSE - Vapour return pipe to flow meter.....	3.120
12	PIPE - Vapour return.....	3.120





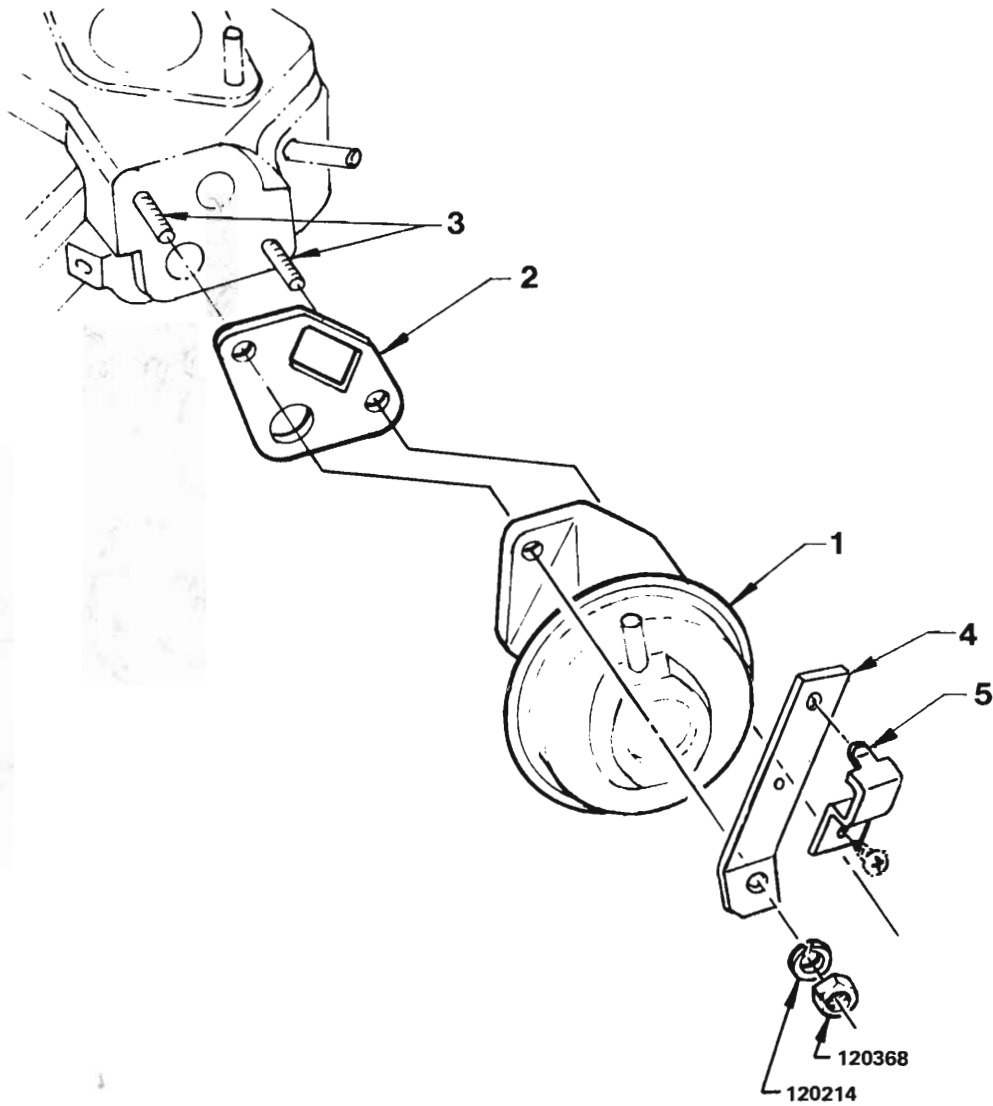
**AIR PRE HEAT SYSTEM
8 CYLINDER ENGINE
VC, VH, VK SERIES**

REF. NO.	PART NAME	GROUP
1	SWITCH - Choke thermal vacuum.....	3.415
2	HOSE - Stove to air cleaner.....	3.417
3	HOSE - Switch to carburettor.....	3.407
4	HOSE - Delay valve to choke diaphragm.....	3.407
5	HOSE - Switch to air cleaner thermal vacuum valve.....	3.407
6	HOSE - Delay valve to TVS.....	3.407
7	VALVE ASM. - Vacuum delay.....	3.415



CARBURETTOR & AIR CLEANER
4 CYLINDER ENGINE
VH SERIES

REF. NO.	PART NAME	GROUP
1	AIR CLEANER & SILENCER ASM.....	3.402
2	STUD - Air cleaner to carburettor.....	3.403
3	SEAL - Air cleaner to carburettor.....	3.403
4	CARBURETTOR ASM.....	3.725
5	INSULATOR - Carburettor to heat shield.....	3.726
6	SHIELD - Heat.....	3.726
7	GASKET - Shield to manifold.....	3.726
8	BRACE - Air cleaner.....	3.405
9	PIPE ASM. - Fuel pump to carburettor.....	3.163
10	CLIP - Fuel pipe to rocker cover.....	3.162
11	CONNECTOR - Fuel pipe to pump.....	3.163
12	PUMP ASM. - Fuel.....	3.900
13	BRACKET - Air cleaner brace.....	3.405

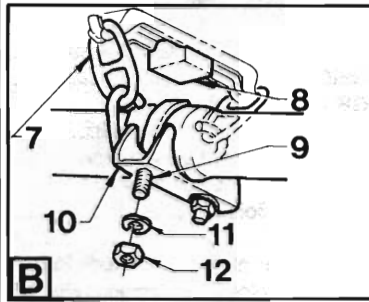
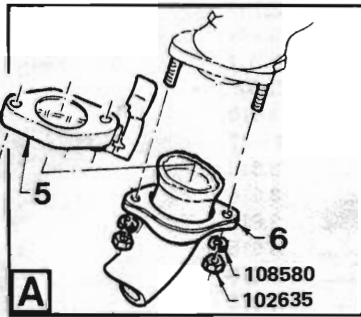
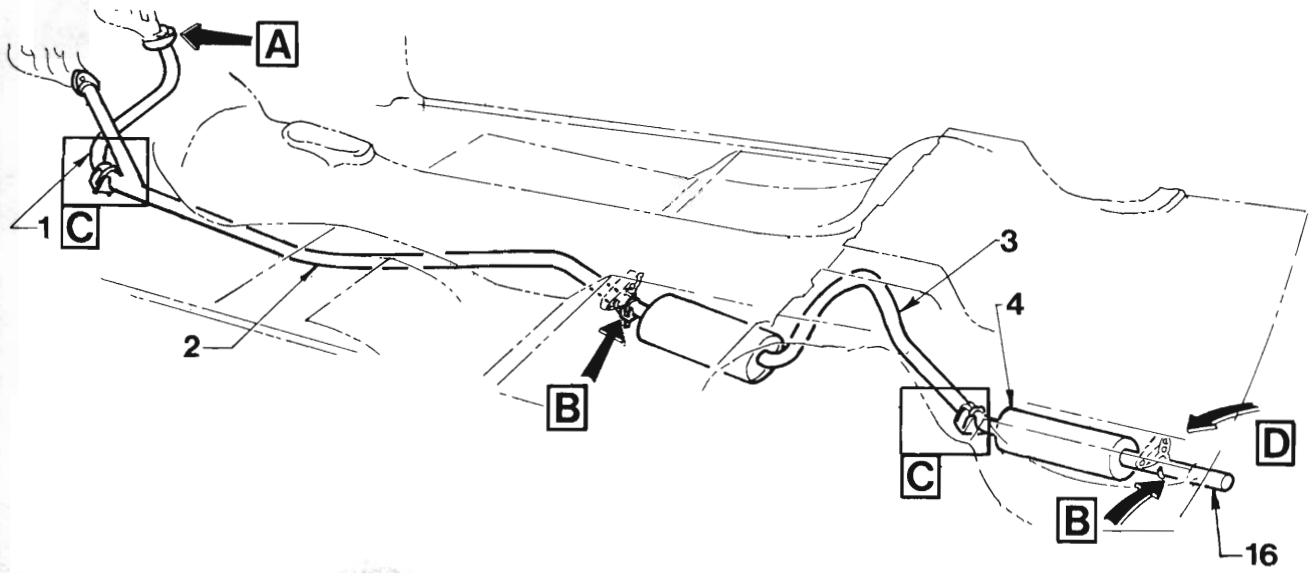


**E.G.R VALVE
6 CYLINDER ENGINE
VB SERIES**

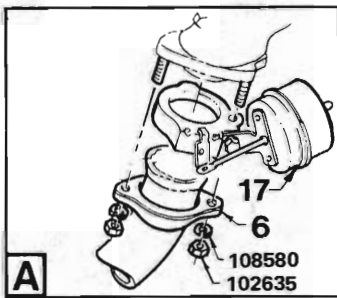
REF. NO.	PART NAME	GROUP
1	VALVE ASM.....	3.670
2	GASKET - Valve to manifold.....	3.670
3	STUD - Valve to manifold.....	3.670
4	BRACKET - Heater hose support to engine.....	8.846
5	CLAMP - Heater hose to support bracket.....	8.846



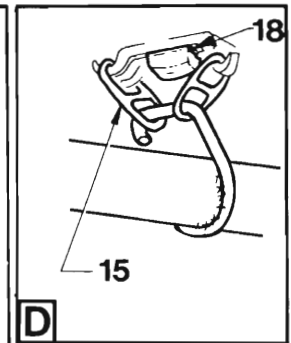
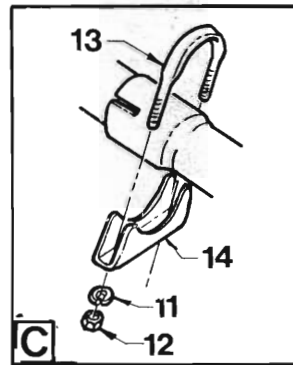
"V" SERIES PARTS CATALOGUE

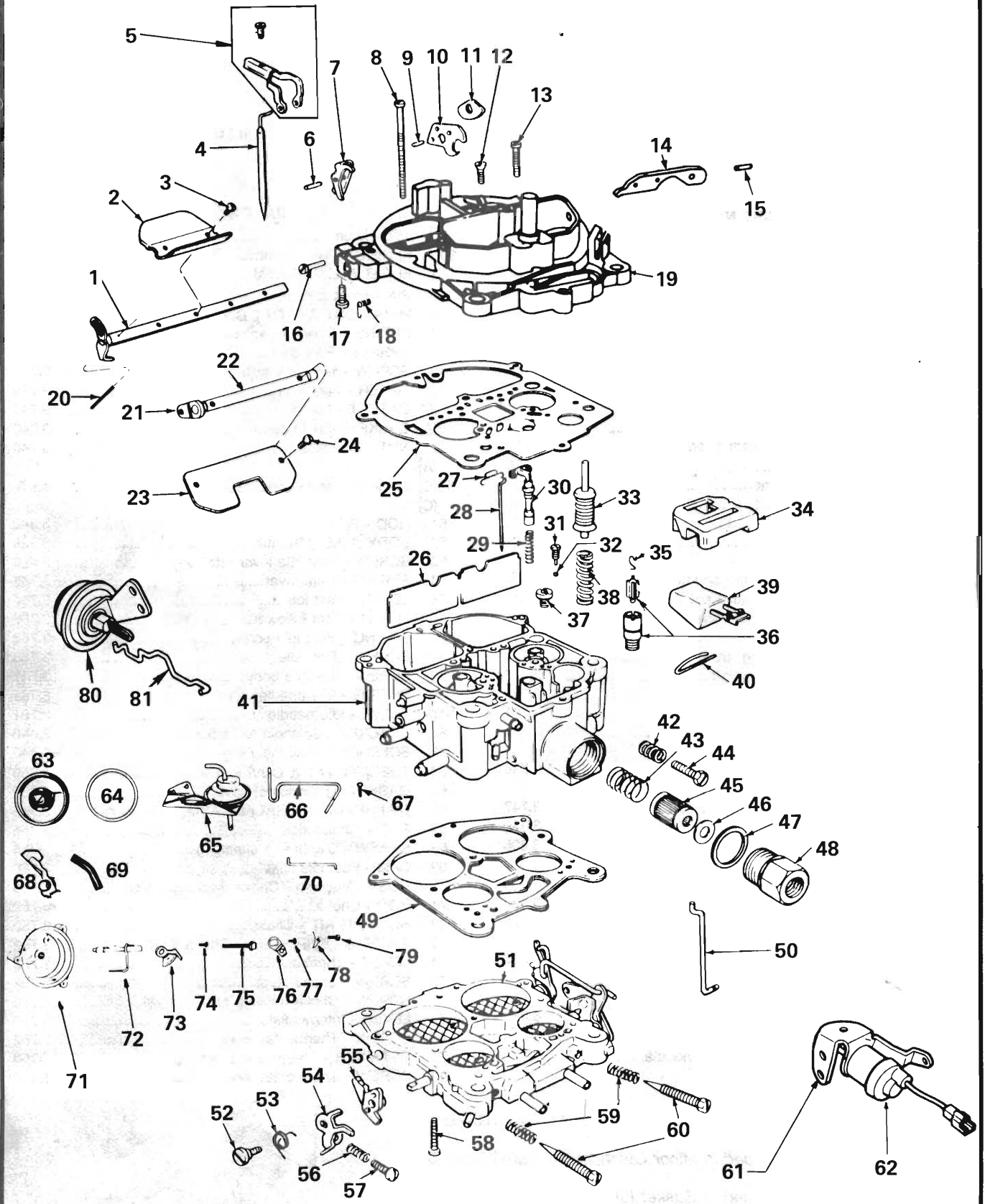


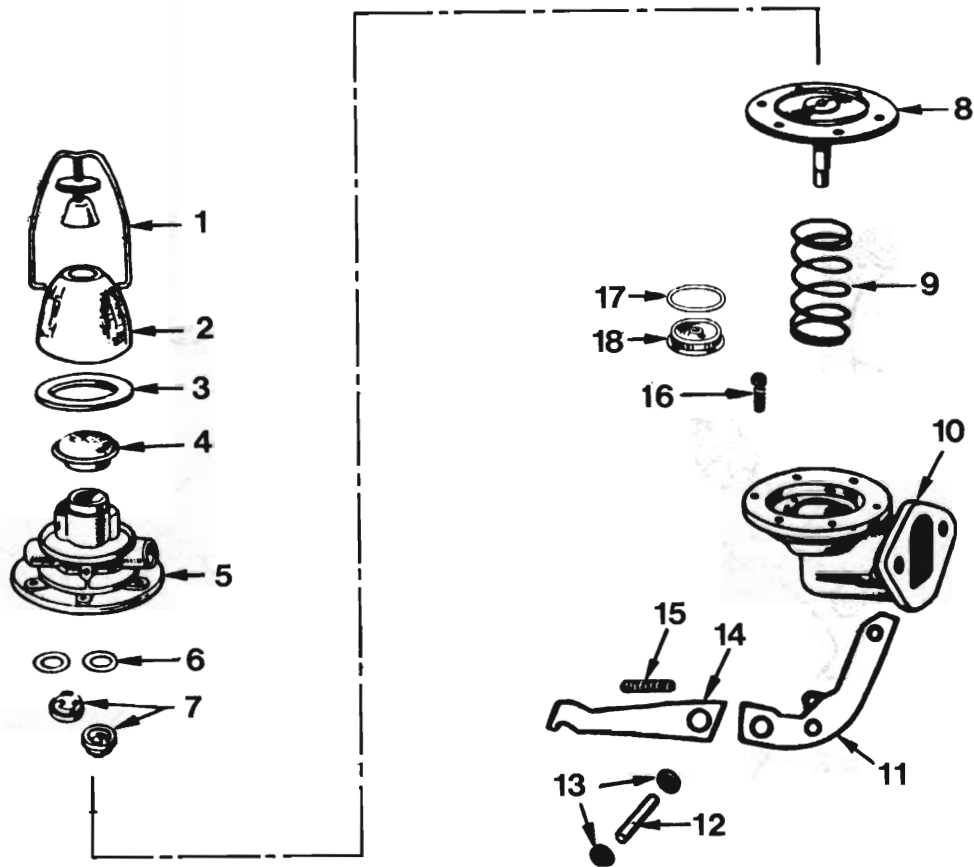
VB SERIES



VC, VH SERIES







**FUEL PUMP
6 CYLINDER ENGINE
VB SERIES**

REF. NO.	PART NAME	GROUP
1-18	FUEL PUMP.....	3.900
1	BAIL & SCREW.....	3.910
2	BOWL.....	3.910
3	GASKET.....	3.904
4	SCREEN ASM.....	3.910
5	HOUSING ASM. - Valve.....	3.902
6	GASKET - Valve cage.....	3.904
7	VALVE & CAGE ASM.....	3.910
8	DIAPHRAGM & PULL ROD ASM.....	3.925
9	SPRING.....	3.927
10	BODY.....	3.902
11	ARM.....	3.935
12	PIN.....	3.935
13	PLUG.....	3.935
14	LINK.....	3.935
15	SPRING.....	3.935
16	SCREW & WASHER - Housing.....	3.902
17	WASHER - Oil seal.....	3.904
18	SEAL - Oil.....	3.904



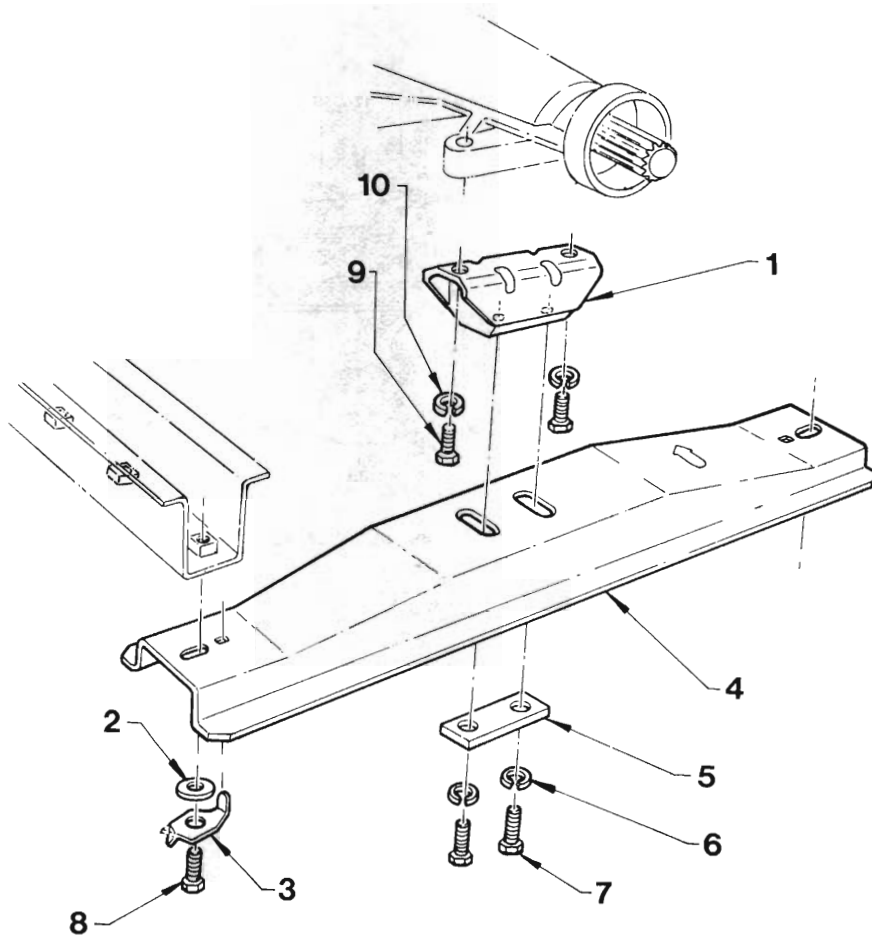
**TRANSMISSION CASE & GEARS
4 SPEED MANUAL CONTROL**

ILLUSTRATION OPPOSITE

REF. NO.	PART NAME	GROUP	REF. NO.	PART NAME	GROUP
1	GEAR - Speedometer drive	4.343F	44	BOLT & WASHER - Housing to case	4.319F
2	GEAR - Reverse	4.417F	45	PIN - Case to extension housing	4.319F
3(A)	RING - Mainshaft lock	4.412F	46(A)	BUSH - Reverse idler.....	4.431F
4	BUSH - Extension housing.....	4.317F	47(A)	WASHER - Reverse idler gear thrust.....	4.437F
5(A)	CLIP - Speedometer drive gear.....	4.343F	48	GEAR - Reverse idler	4.430F
6	SPRING - Reverse gear antilash	4.419F	49(A)	GASKET - Extension housing.....	4.318F
7	RING - Rear bearing locating	4.412F	49(B)	GASKET - Extension housing.....	4.318F
8(A)	BEARING ASM. - Mainshaft rear	4.408F	50	BEARING - Needle roller.....	4.422F
9	ADAPTOR - Rear bearing	4.317F	51(A)	WASHER - Counter shaft bearing.....	4.426F
10	GEAR - 1st speed	4.417F	52(A)	WASHER - Gear thrust.....	4.426F
11	RING - Blocking.....	4.383F	53	GEAR - Counter.....	4.421F
12(A)	RING - Mainshaft lock	4.412F	54(A)	SHAFT - Counter gear.....	4.428F
13(A)	SLEEVE ASM. - 1st & 2nd synchronizer hub	N.S.S.	55(A)	SPACER - Counter shaft bearing.....	4.423F
14	SPRING - 1st & 2nd synchronizer.....	4.413F	56(A)	GASKET - Filler plug.....	4.104F
15	HUB ASM. - 1st & 2nd synchronizer.....	N.S.S.	56(B)	GASKET - Filler plug.....	4.104F
16(A)	KEY - 1st & 2nd synchronizer	4.384F	57	PLUG - Filler.....	4.104F
13-16	SYNCHRONIZER ASM. - 1st & 2nd speed	4.380F	58	CASE ASM. - Transmission	4.103F
17	GEAR - Second speed	4.395F	59(A)	GASKET - Transmission cover.....	4.109F
18	SHAFT - Main	4.403F	59(B)	GASKET - Transmission cover.....	4.109F
19	GEAR - Third speed.....	4.415F	60	FORK - 3rd & 4th speed shift.....	4.303F
20(A)	RING - Blocking.....	4.383F	61	FORK - 1st & 2nd speed shift.....	4.303F
21(A)	SPRING - 3rd & 4th synchronizer.....	4.413F	62	SHAFT ASM. - 1st & 2nd shifter	4.309F
22	HUB ASM. - 3rd & 4th synchronizer	N.S.S.	63(A)	SEAL - 1st & 2nd shift shaft - 'O' Ring.....	4.309F
23(A)	KEY - 3rd & 4th synchronizer.....	4.384F	64	SPRING - Detent cam	4.311F
24	SLEEVE - 3rd & 4th synchronizer hub.....	N.S.S.	65	BOLT & WASHER - Cover to case	4.105F
21-24	SYNCHRONIZER ASM. - 3rd & 4th speed	4.380F	66	LEVER - 1st & 2nd speed	4.045F
25(A)	RING - Mainshaft lock	4.412F	67	RETAINER - Trunnion.....	4.037F
26(A)	SEAL - Extension housing.....	4.318F	68	WASHER - Lever to shaft.....	4.046F
27	HOUSING ASM. - Extension.....	4.317F	69	NUT - Lever to shaft.....	4.046F
28	BOLT - Housing to case.....	4.319F	70	LEVER - 3rd & 4th speed shifter shaft.....	4.045F
29	YOKE - Reverse shifter	4.303F	71(A)	SEAL - 3rd & 4th shift shaft.....	4.309F
30	SHAFT - Reverse shift - Internal	4.309F	72	COVER	4.105F
31	SEAL - 'O' Ring reverse shift shaft	4.309F	73	PIN - Cover to case	4.105F
32	LEVER - Reverse shifter external	4.045F	74	CAM - 3rd & 4th speed detent.....	4.311F
33	WASHER - Lever to shaft.....	4.046F	75	CAM - 1st & 2nd speed detent.....	4.311F
34	NUT - Lever to shaft.....	4.046F	76	SHAFT ASM. - 3rd & 4th shifter	4.309F
35	RETAINER - Shifter rod to control lever	4.037F	77	BEARING - Needle roller.....	4.352F
36	WASHER - Reverse detent.....	4.311F	78	GEAR - Clutch.....	4.351F
37	BOLT - Reverse detent	4.311F	79(A)	BEARING - Clutch gear	4.355F
38	SWITCH ASM. - Back up lamp	2.698	80	RING - Clutch gear bearing retaining.....	4.376F
39(A)	SPRING - Reverse lever detent ball	4.311F	81(B)	GASKET - Clutch gear bearing retainer.....	4.358F
40(A)	BALL - Reverse shift lever detent 3/8" dia.....	4.311F	82(A)	SEAL - Clutch gear bearing oil.....	4.354F
41	TRUNNION - 1st & 2nd speed rod	4.037F	83	BOLT - Retainer to case	4.356F
42	LEVER - Reverse internal shifter	4.302F	84	RETAINER - Clutch gear bearing.....	4.356F
43	PIN - Reverse shift shaft.....	4.307F			

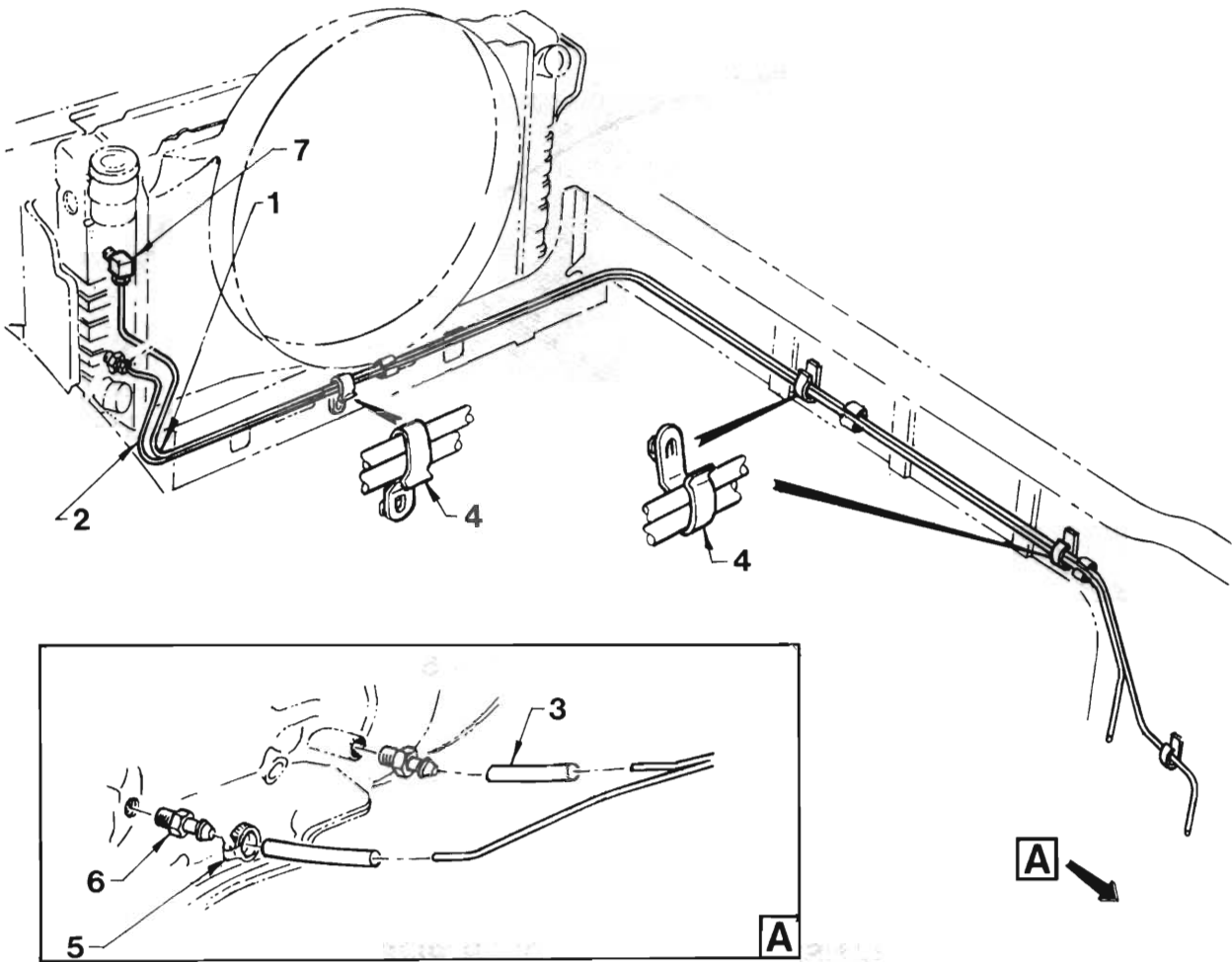
NOTE:- (A Parts included in Overhaul Kit. Refer Group 4.005F

(B Parts included in Gasket Kit. Refer Group 4.005F



**TRANSMISSION MOUNTING
5 SPEED MANUAL TRANSMISSION
6 CYLINDER ENGINE**

REF. NO.	PART NAME	GROUP
1	MOUNTING ASM. - Transmission support	4.081S
2	WASHER - Support to underbody, Flat	4.081S
3	PLATE - Support to underbody, Locking	4.081S
4	SUPPORT - Transmission rear mounting.....	4.081S
5	SPACER - Mounting to support.....	4.085S
6	WASHER - Mounting to support	4.085S
7	BOLT - Mounting to support.....	4.085S
8	BOLT - Support to underbody	4.081S
9	BOLT - Mounting to transmission	4.085S
10	WASHER - Mounting to transmission.....	4.085S



TRANSMISSION OIL COOLER PIPES

**TRIMATIC TRANSMISSION
8 CYLINDER ENGINE
VC, VH SERIES**

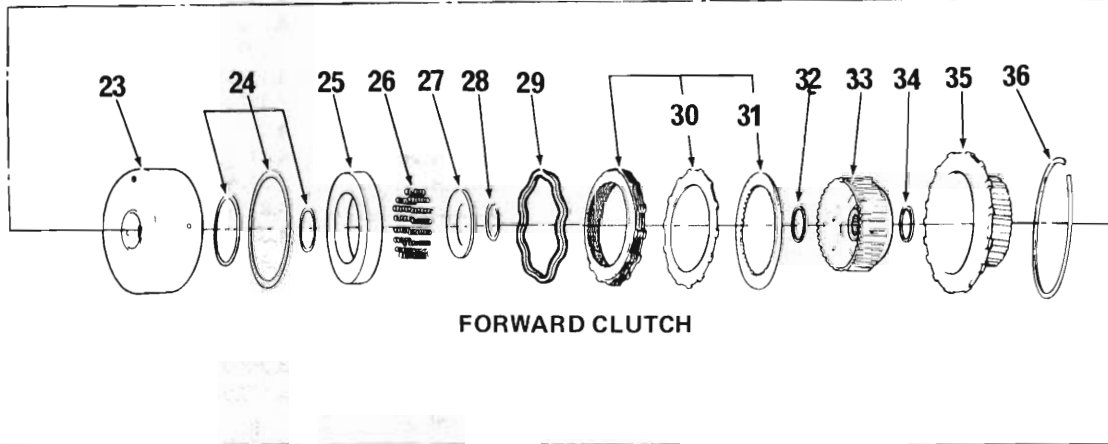
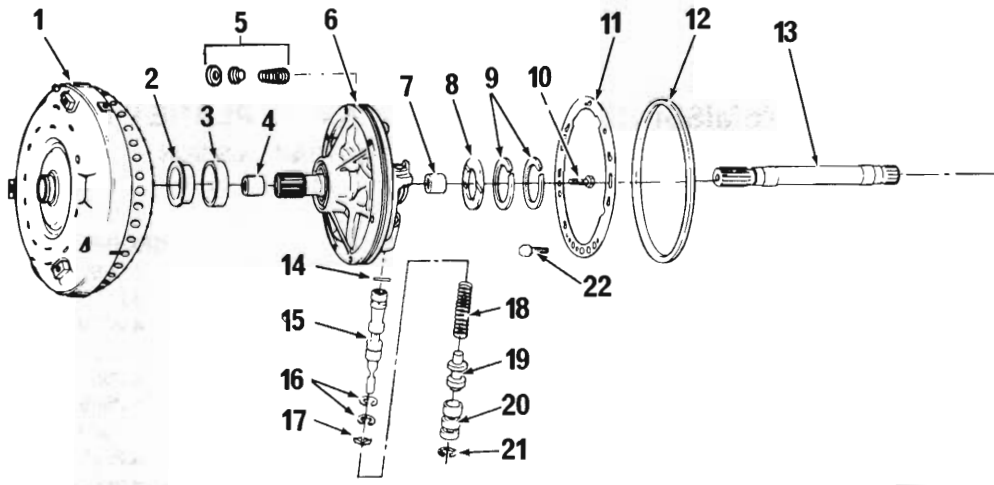
REF. NO.	PART NAME	GROUP
1	PIPE ASM. - Outlet.....	4.128U
2	PIPE ASM. - Inlet.....	4.128U
3	HOSE - Pipes to connector	4.128U
4	CLIP - Pipes.....	4.128U
5	CLAMP - Hoses	4.128U
6	CONNECTOR - Hose to transmission.....	4.128U
7	CONNECTOR - Pipes to radiator.....	4.128U



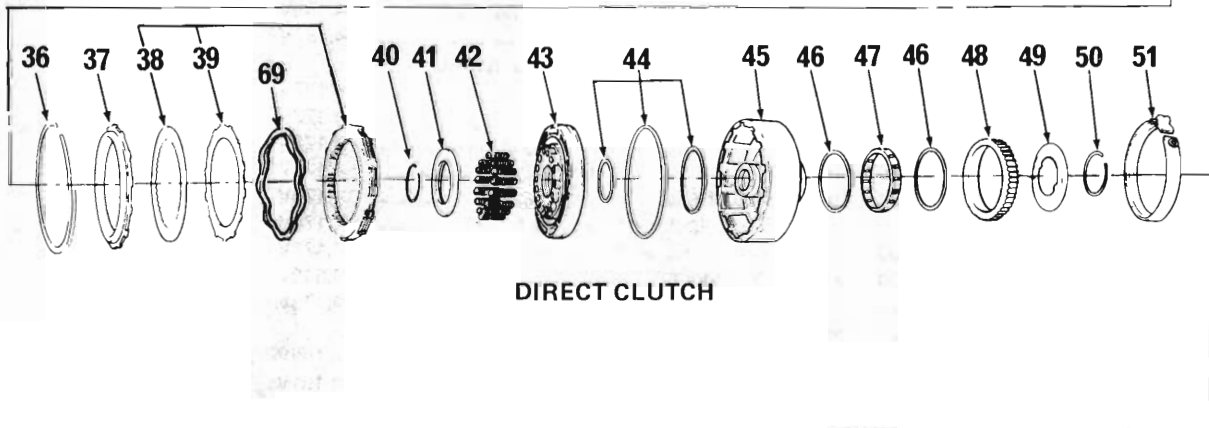
**PARK BRAKE, MODULATOR & SERVO
TRIMATIC TRANSMISSION**

ILLUSTRATION OPPOSITE

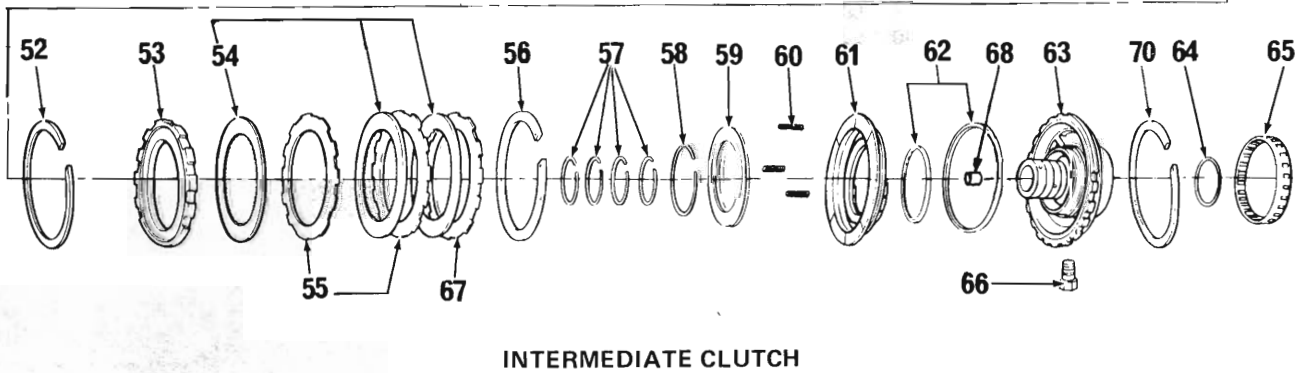
REF. NO.	PART NAME	GROUP
1	CASE ASM - Transmission	4.103U
2	SLEEVE - Vacuum modulator valve	4.205U
3	VALVE - Vacuum modulator	4.205U
4	PLUNGER - Vacuum modulator	4.205U
5	GASKET - Vacuum modulator to transmission....	4.205U
6	MODULATOR ASM. - Vacuum	4.205U
7	ACTUATOR ASM. - Transmission park lock	4.290U
8	SHAFT - Pawl.....	4.294U
9	SPRING - Pawl disengaging	4.295U
10	PAWL - Transmission park lock	4.294U
11	SLEEVE - Actuator	4.290U
12	PIN - Park lock & range selector shaft retaining.	4.294U
13	SHAFT - Park lock & range selector.....	4.294U
14	LEVER - Park lock & range selector, Inner	4.279U
15	NUT - Lever attaching	4.279U
16	LINK - Manual valve lever.....	4.275U
17	GASKET - Transfer plate to case.....	4.265U
18	PLATE - Transfer	4.265U
19	REINFORCEMENT - Transfer plate.....	4.265U
20	GASKET - Transfer plate to valve body	4.265U
21	BALL - Valve body	4.265U
22	ROLLER & SPRING ASM. - Transmission manual detent.....	4.293U
23	BODY ASM. - Transmission valve	4.265U
24	VALVE - Manual	4.265U
25	ROD - Transmission servo piston apply	4.241U
26-31	PISTON ASM. - Servo	4.228U
32	SPRING - Servo piston return	4.233U
33	RING - Servo piston retaining	4.242U
34	SOLENOID & CONNECTOR ASM. - Detent	4.265U
35	GASKET - Solenoid.....	4.265U
36	BOLT - Reinforcement plate to transmission.....	4.265U
37	BOLT - Valve body to transmission case	4.265U
38	SCREW - Transmission servo piston adjusting....	4.233U
39	NUT - Transmission servo piston adjusting screw	4.233U



FORWARD CLUTCH



DIRECT CLUTCH



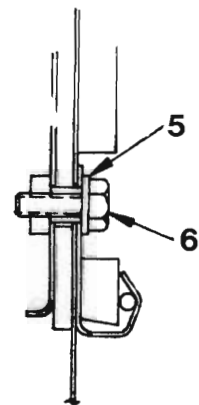
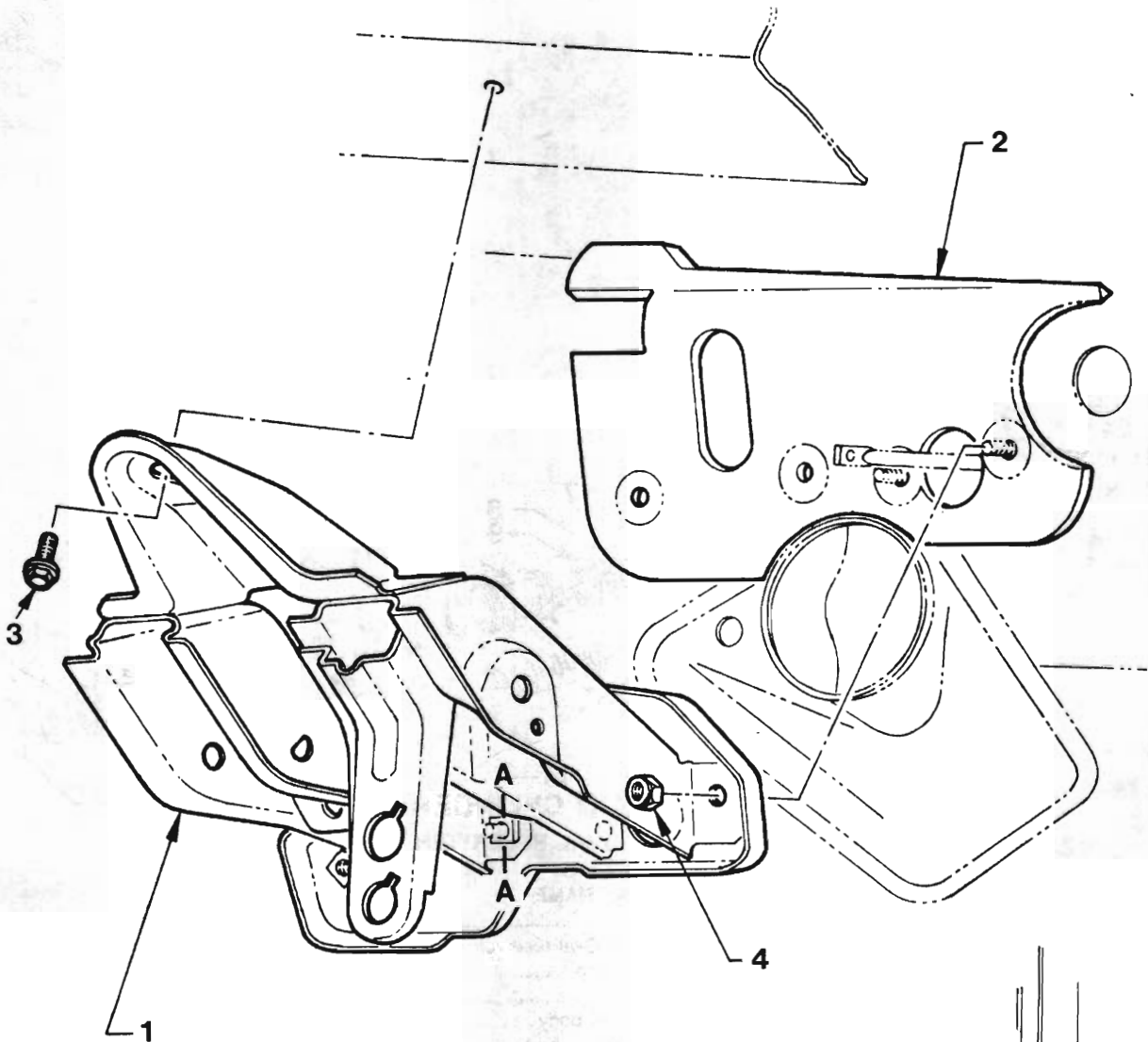
INTERMEDIATE CLUTCH



**TRANSMISSION CONVERTER, PUMP, INTERMEDIATE & DIRECT CLUTCH
350 TURBO HYDRA-MATIC TRANSMISSION**

ILLUSTRATION OPPOSITE

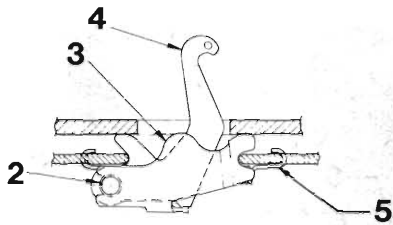
REF. NO.	PART NAME	GROUP
1	CONVERTER ASM. - Transmission.....	4.115W
2	SEAL - Oil pump front.....	4.226W
3	BUSH - Oil pump.....	4.224W
4	BODY ASM. - Oil pump.....	N.S.
5	SPRING - Oil pump cooler by-pass valve.....	N.S.
6	BALL - Oil pump cooler by-pass valve.....	N.S.
7	SEAT - Oil pump cooler by-pass valve.....	N.S.
8	SEAL - Oil pump outer.....	4.226W
9	BUSH - Oil pump stator shaft, Front.....	4.224W
10	COVER, SHAFT & SEAL ASM. - Oil pump.....	4.224W
11	RING - Direct clutch drum oil seal.....	4.167W
12	BUSH - Direct clutch drum.....	4.169W
13	RING - Forward clutch drum oil seal.....	4.167W
14	GASKET - Oil pump to case.....	4.226W
15	SEAL KIT - Intermediate clutch piston.....	4.166W
16	BUSH - Oil pump stator shaft, Rear.....	4.224W
17	GEAR - Oil pump drive & driven.....	N.S.
18	SCREW & WASHER - Oil pump to case.....	N.S.
19	BOLT - Converter to drive plate.....	4.115W
20	PISTON - Intermediate clutch.....	4.166W
21	SPRING & SEAT - Intermediate clutch piston return.....	4.167W
22	SPACER - Direct clutch drum bearing.....	4.169W
23	BEARING ASM. - Direct clutch drum rear, Thrust.....	4.169W
24	SPRING - Intermediate clutch cushion.....	4.167W
25	PLATE - Intermediate clutch reaction.....	4.163W
26	PLATE - Intermediate clutch pressure.....	4.163W
27	RING - Intermediate overrun clutch retainer, Front.....	4.167W
28	RETAINER - Intermediate overrun clutch.....	4.167W
29	RACE - Intermediate overrun clutch, Outer.....	4.168W
30	CLUTCH ASM. - Intermediate overrun.....	4.167W
31	CAM - Intermediate overrun clutch.....	4.167W
32	BAND ASM. - Intermediate overrun brake.....	4.251W
33	DRUM - Direct clutch.....	4.169W
34	PLATE - Intermediate clutch drive.....	4.163W
35	BOLT - Pump cover to body 5/16"-18 x 1-1/2" Hex- lock.....	N.S.
36	SEAL KIT - Direct clutch piston.....	4.166W
37	PISTON - Direct clutch.....	4.166W
38	SPRING & SEAT ASM. - Direct clutch piston return.....	4.164W
39	RING - Direct clutch return spring seat retainer..	4.164W
40	PLATE - Direct clutch driven.....	4.163W
41	PLATE - Direct clutch pressure.....	4.163W
42	RING - Direct clutch pressure plate, retainer.....	4.164W
43	BEARING ASM. - Direct clutch drum rear, Thrust.....	4.169W
44	PLATE - Direct clutch drive.....	4.163W
45	RING - Oil pump cover steady rest.....	4.226W
46	BUSH - Direct clutch drum.....	4.169W



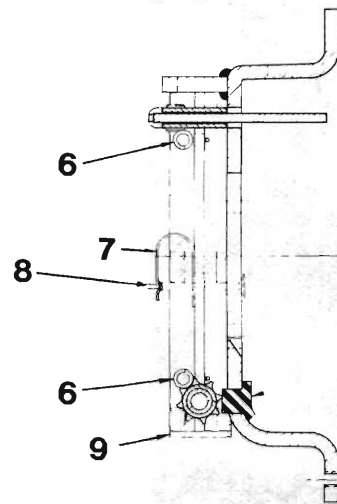
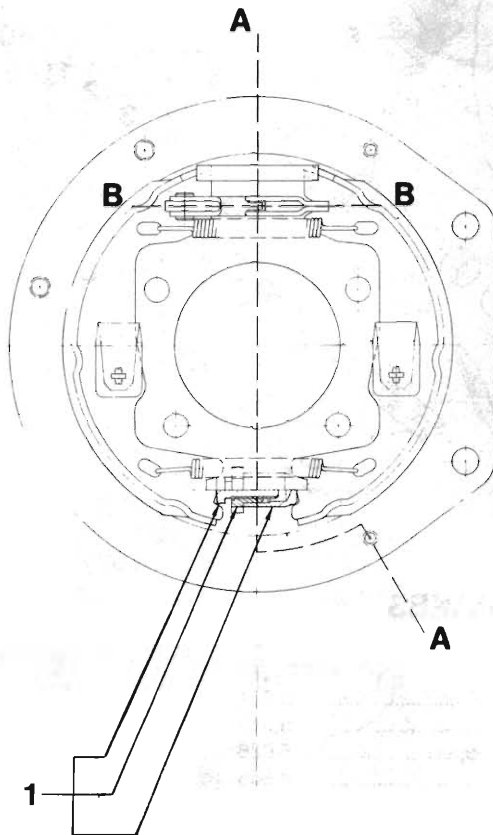
BRAKE PEDAL SUPPORT

REF. NO.	PART NAME	GROUP
1	SUPPORT ASM.....	4.634
2	INSULATOR - Brake pedal support.....	4.634
3	SCREW & WASHER - Support to dash.....	4.634
4	NUT - Support to dash.....	4.634
5	WASHER - Pedal support to dash panel.....	4.634
6	BOLT - Pedal support to dash panel.....	4.634

SECTION A-A



SECTION B-B



SECTION A-A

**PARK BRAKE
REAR DISC BRAKES**

REF. NO.	PART NAME	GROUP
1	ADJUSTER - Brake shoe	5.103
2	PIN - Clevis	5.158
3	LINK - Pressure	5.158
4	LEVER - Park brake actuating	5.149
5	SPRING - Park brake actuating lever return	5.149
6	SPRING - Park brake shoe return	5.151
7	SPRING - Park brake shoe hold down	5.043
8	PIN - Park brake shoe hold down spring	5.043
9	SHOE & LINING ASM.	5.017



FRONT SUSPENSION

ILLUSTRATION OPPOSITE

REF. NO.	PART NAME	GROUP
1	MEMBER ASM.....	6.008
2	BUSH - Stabilizer shaft to stud & lower control arm.....	7.244
3	STUD - Stabilizer shaft to lower control arm spacing.....	7.242
4	ARM ASM. - Lower control.....	6.168
5	BUSH - Stud to lower control arm.....	7.244
6	ROD - Control arm tension.....	6.168
7	SHAFT - Front stabilizer.....	7.241
8	BUSH - Rod to crossmember.....	6.168
9	SUPPORT - Front stabilizer shaft.....	7.242
10	INSULATOR - Front stabilizer shaft.....	7.243
11	CAP - Bearing step.....	7.395
12	PLATE & BEARING ASM.....	7.395
13	SHIM - Bearing.....	7.395
14	SEAT - Spring upper.....	7.420
15	INSULATOR - Spring upper.....	7.420
16	BUMPER - Cartridge piston.....	7.395
17	BOOT - Piston rod.....	7.395 7.371
18	SPRING - Front.....	7.412
19	HUB & DISC - Front wheel.....	6.307
20	RETAINER - Bush.....	7.244
21	KNUCKLE & STRUT ASM.	6.020 7.345
22	BALL JOINT - Lower control arm.....	6.174
23	NUT - Control arm to crossmember.....	6.172
24	BOLT - Control arm to crossmember.....	6.172
25	NUT - Bearing plate to fender.....	7.395
26	WASHER - Rod to control arm.....	6.168



POWER STEERING HOSES

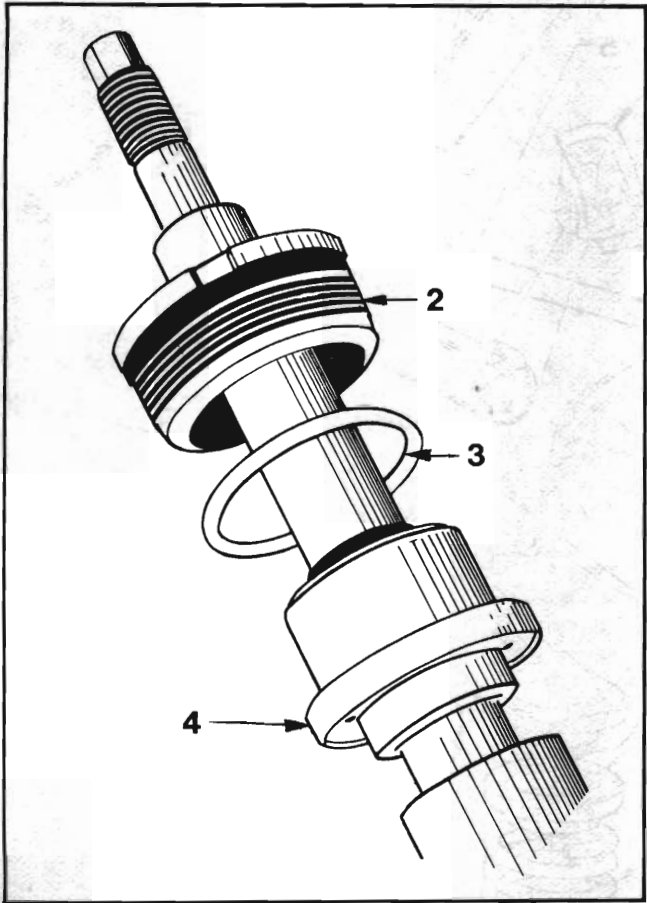
**4 CYLINDER ENGINE
6 CYLINDER ENGINE
VK SERIES LATE TYPE**

ILLUSTRATION OPPOSITE

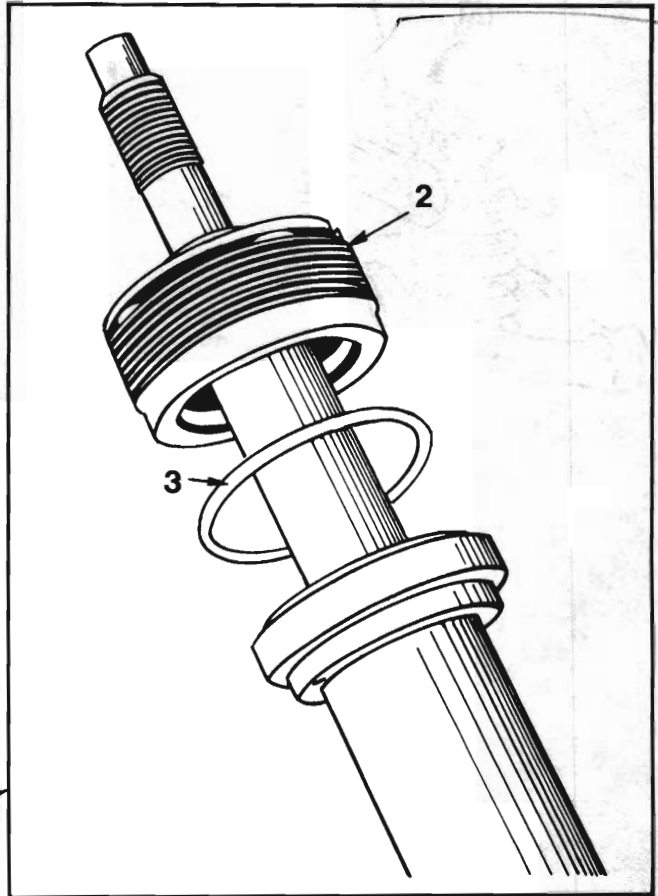
REF. NO.	PART NAME	GROUP
1	HOSE ASM. - Reservoir to pump	6.671
2	STRAP - Hose retaining	6.672
3	CLAMP - Power steering hose, .68" Dia	6.672
4	STRAP - Reservoir mounting	6.635
5	SCREW - Reservoir strap to side rail	6.635
6	RESERVOIR ASM. - Side rail	6.635
7	CLAMP - Power steering hose, .97" Dia	6.672
8	PUMP ASM. - Power steering	6.605
9	BOLT - Hose to pump	6.672
10	WASHER - Hose to pump	6.672
11	'O' RING - Pressure hose to pump	6.674
12	SCREW - Pipe to body	6.672
13	CLIP - Pipe to body	6.672
14	PIPE ASM. - Return	6.671
15	SLEEVE - Pressure hose protection	6.672
16	HOSE ASM. - Pump to gear	6.670
17	BRACKET - Pressure hose to oil pan	6.672
18	BOLT - Bracket to oil pan	1.428



"V" SERIES PARTS CATALOGUE



ARMSTRONG STRUT



WYLIE STRUT

STRUT ROD & SLEEVE

REF. NO.	PART NAME	GROUP
1	STRUT ROD & SLEEVE KIT	7.345
2	NUT - Rod & sleeve to housing, Locking.....	7.345
3	'O' RING.....	7.345
4(A)	GUIDE & SEAL ASM.	N.S.S.

NOTE:- (A - Part of Seal Kit. Refer Group 7.346



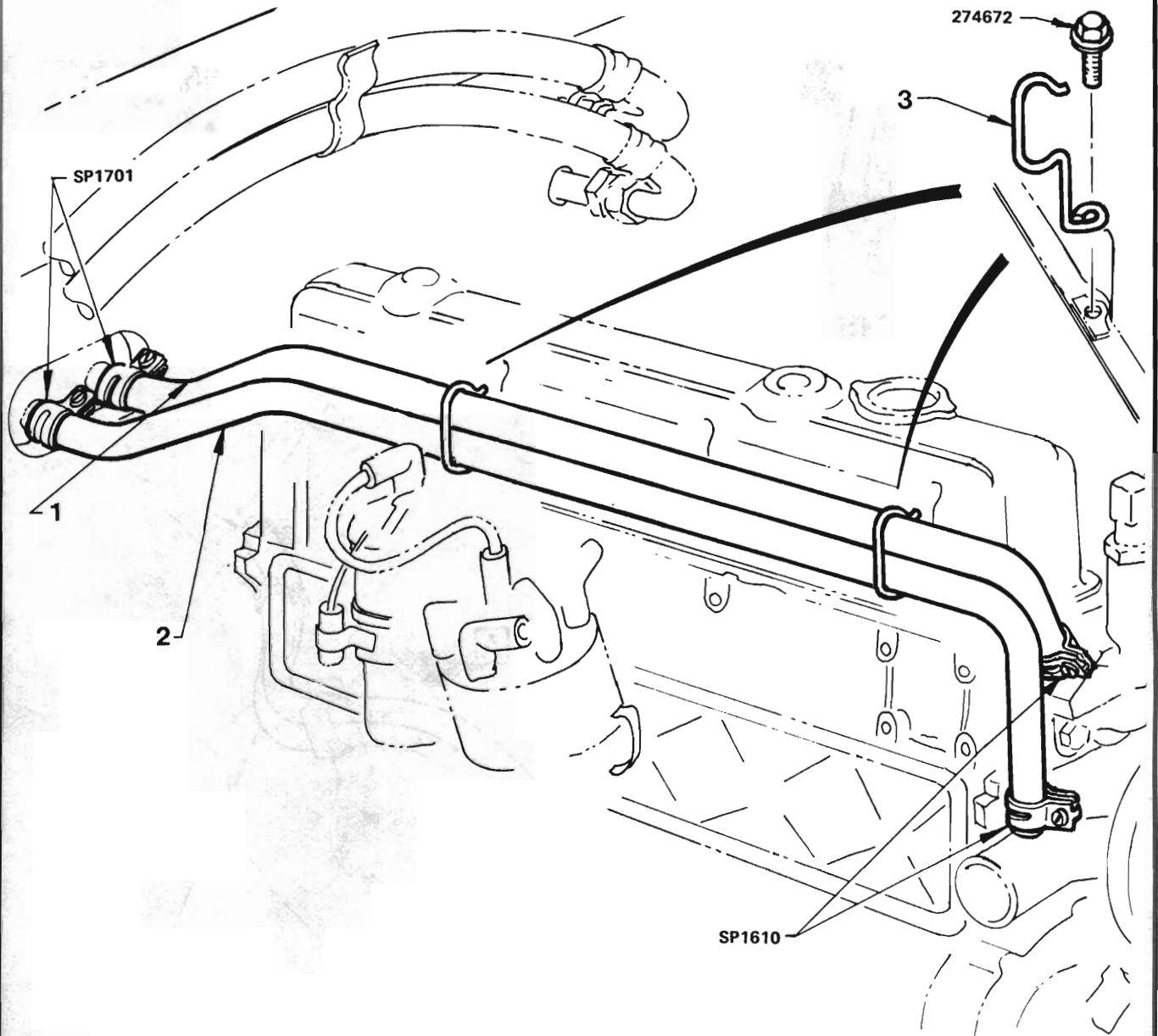
GROUP

8.000

FRONT END SHEET

METAL

HEATER



HEATER HOSES

2.85 LITRE ENGINE VH SERIES

3.3 LITRE ENGINE VK SERIES EXC. ELECTRONIC FUEL INJECTION

REF. NO.	PART NAME	GROUP
1	HOSE - Thermostat housing to heater inlet.....	8.846
2	HOSE - Heater outlet to water pump.....	8.846
3	CLIP - Heater hose retaining.....	8.846



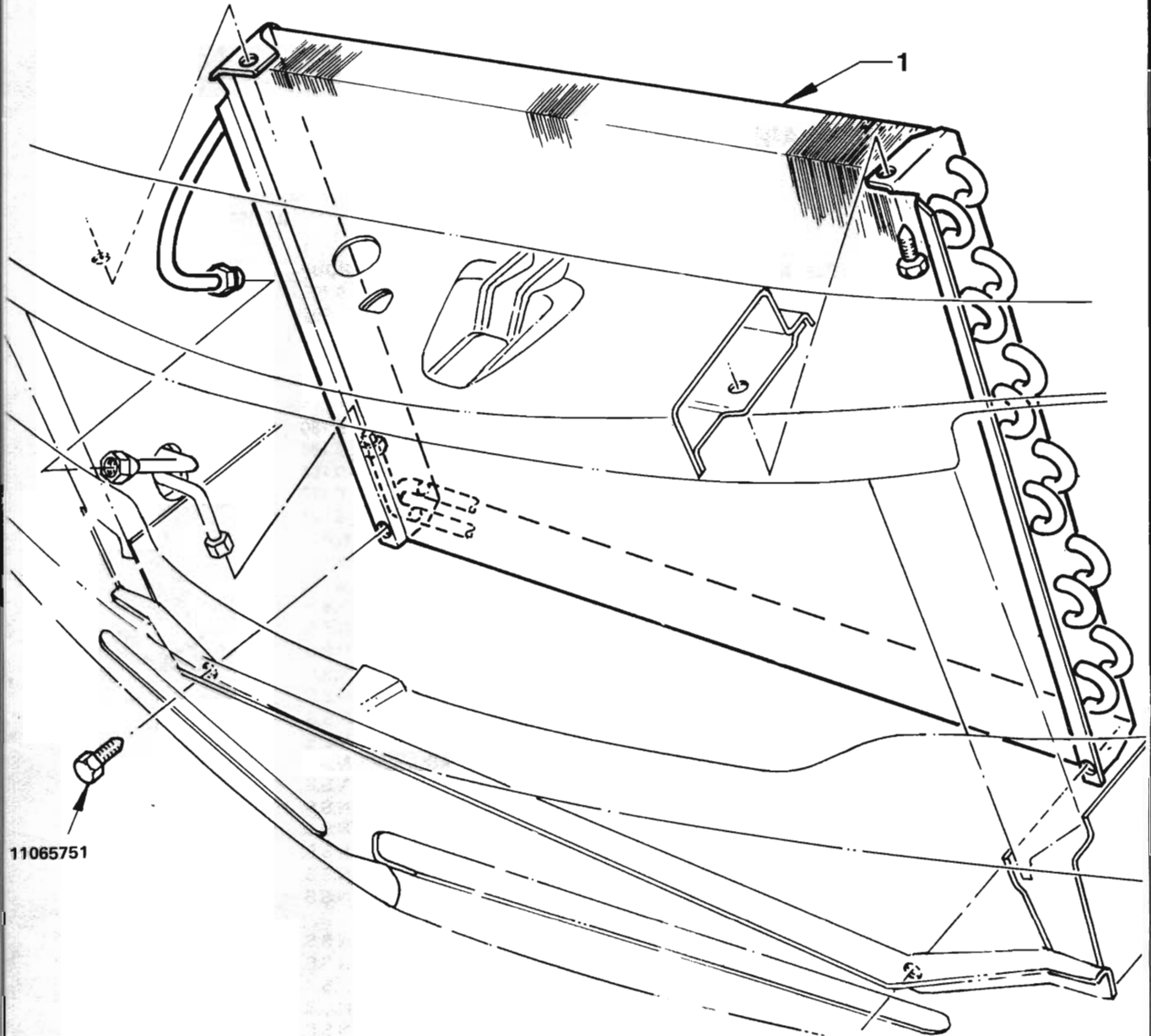
GROUP

9.000

AIR CONDITIONING

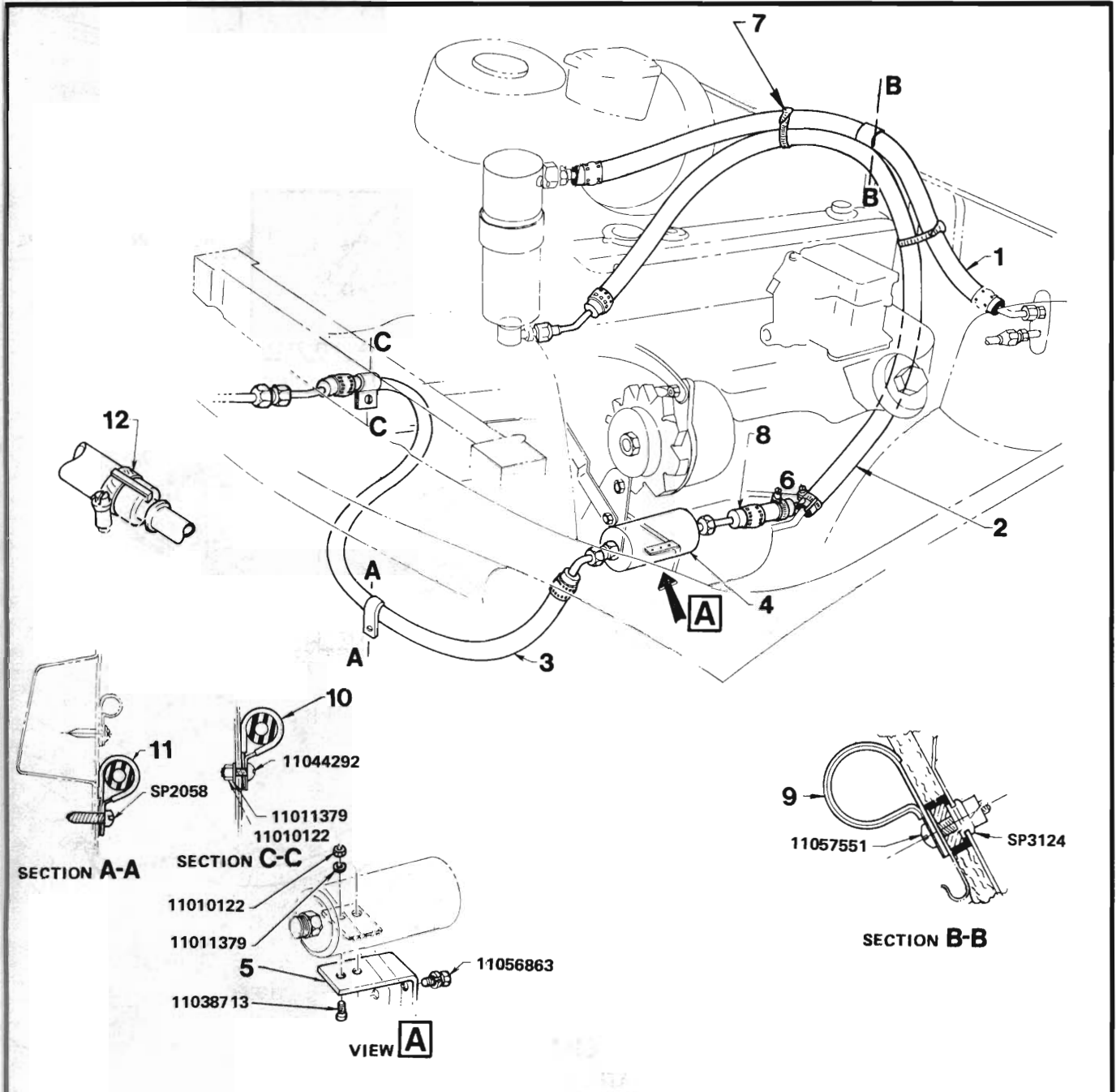
RADIO

INSTRUMENT CLUSTERS



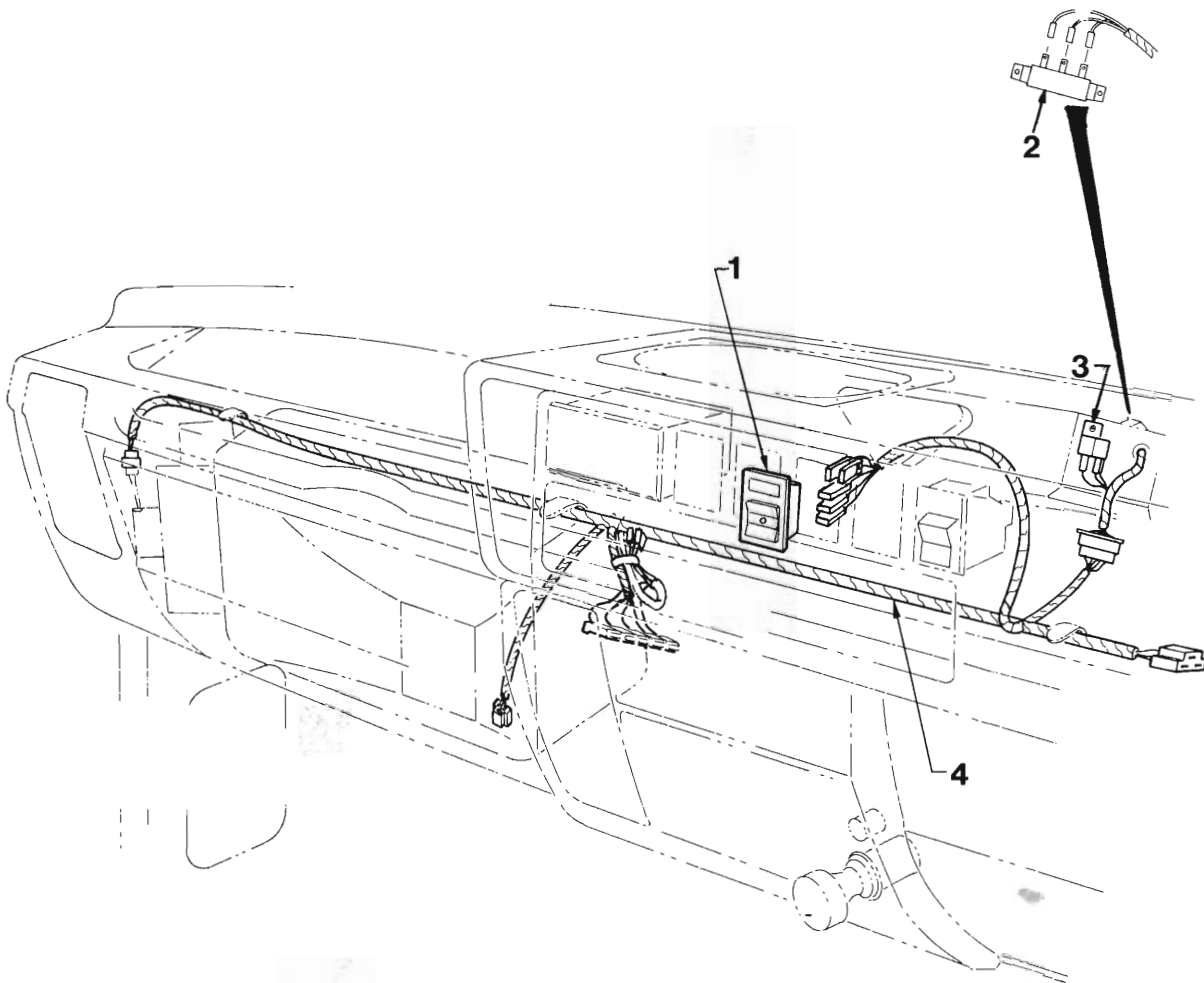
**CONDENSER
HARRISON AIR CONDITIONER
VB, VC SERIES**

REF. NO.	PART NAME	GROUP
1	CONDENSER ASM.....	9.190



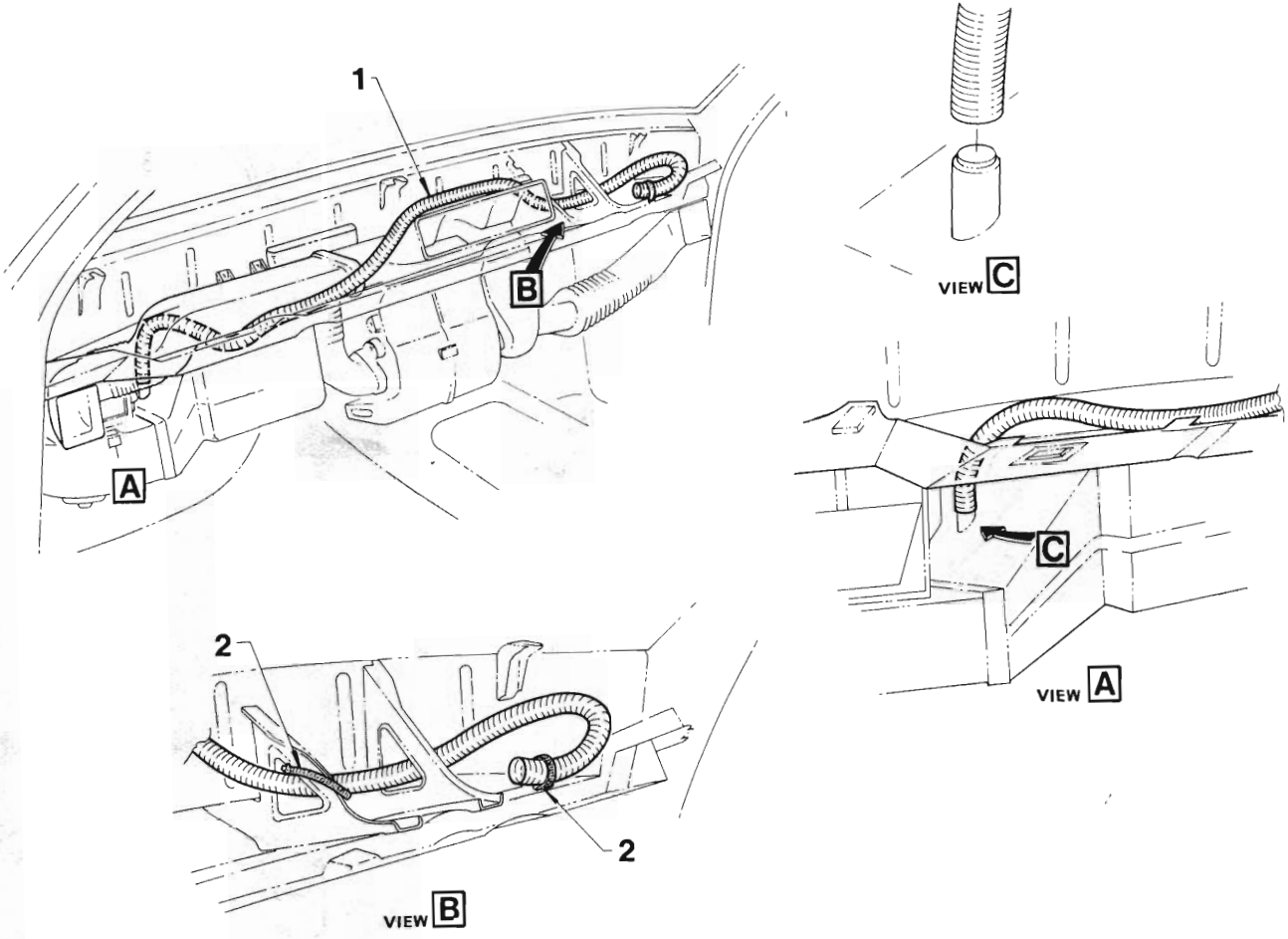
REFRIGERANT HOSES
HARRISON AIR CONDITIONER
6 CYLINDER ENGINE
VB, VC SERIES

REF. NO.	PART NAME	GROUP	REF. NO.	PART NAME	GROUP
1	HOSE & TUBE ASM. - Evaporator to receiver dehydrator	9.225	6	CLAMP - Hose	9.242
2	HOSE & TUBE ASM. - Receiver dehydrator to compressor	9.225	7	STRAP - Hose.....	9.242
3	HOSE & TUBE ASM. - Condenser inlet to muffler.....	9.225	8	HOSE & TUBE ASM. - Compressor to muffler....	9.225
4	MUFFLER ASM.....	9.226	9	CLAMP - Refrigerant hoses to dash panel	9.242
5	BRACKET - Muffler mounting.....	9.226	10	CLAMP - Hose & tube to fender skirt.....	9.242
			11	CLAMP - Hose & tube to front crossmember.....	9.242
			12	CLAMP - Compressor hose to muffler.....	9.242



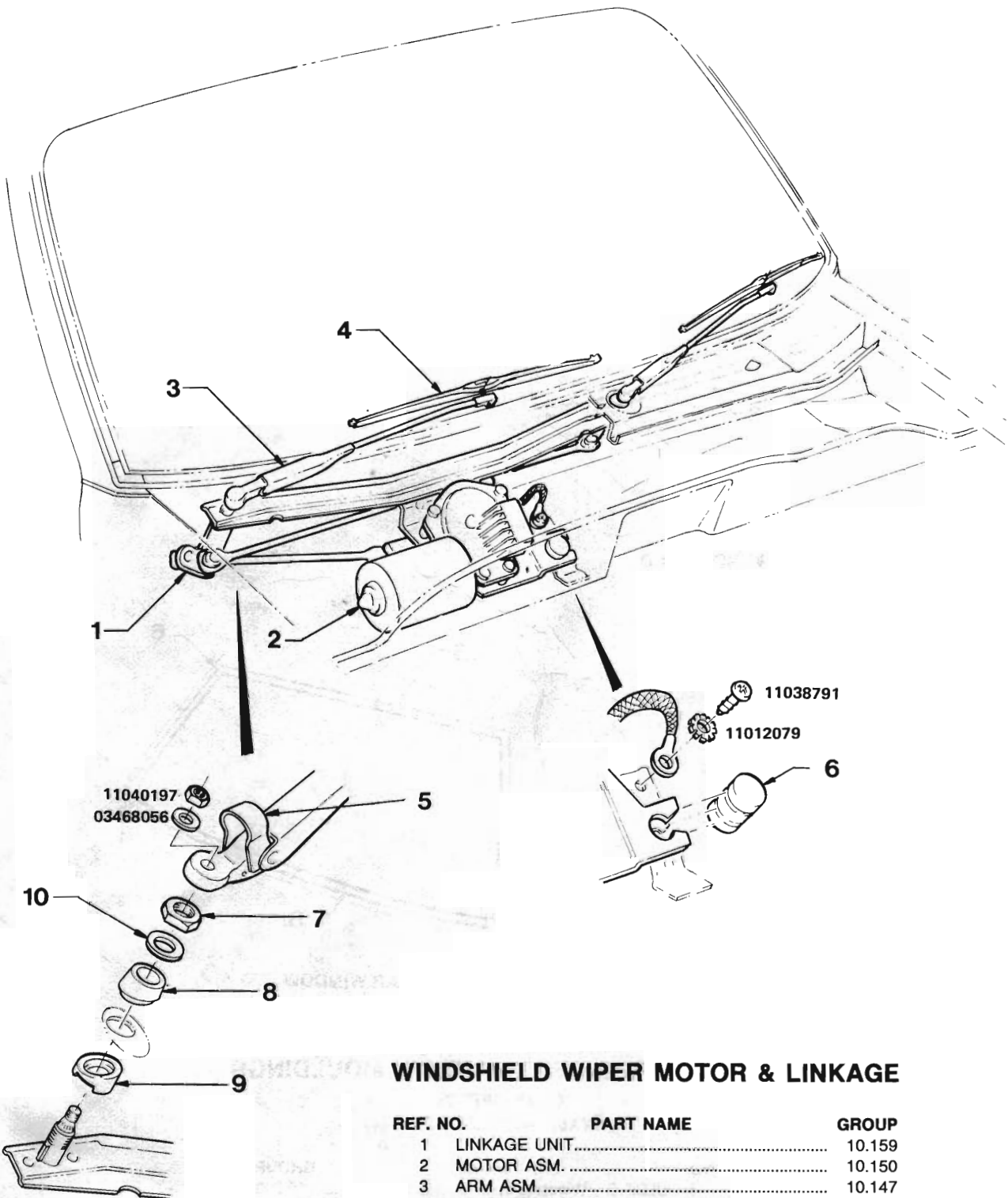
SWITCH, HARNESS - AIR CONDITIONER
AIR INTERNATIONAL
VB, VC, VH SERIES

REF. NO.	PART NAME	GROUP
1	SWITCH ASM. - 'NORM-RECIRC'	9.275
2	RESISTOR ASM. - On air inlet duct.....	9.275
3	RELAY ASM. - Condenser auxillary fan & recirculation air inlet duct	9.277
4	HARNESS ASM. - Interior	9.276



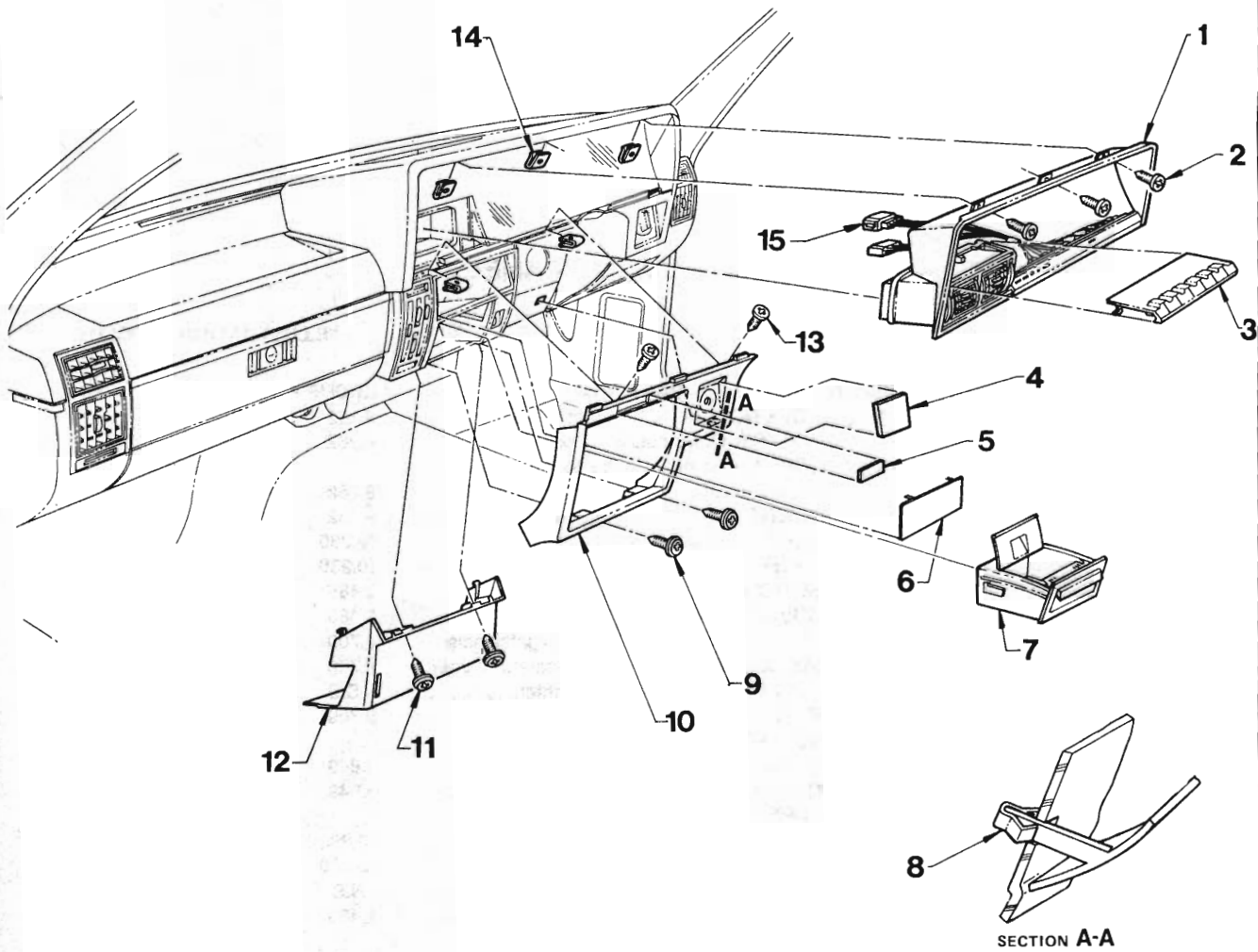
**COOLING HOSE - ELECTRONIC INSTRUMENT
VK SERIES**

REF. NO.	PART NAME	GROUP
1	HOSE - Instrument cooling	9.761
2	STRAP - Hose retaining	9.761



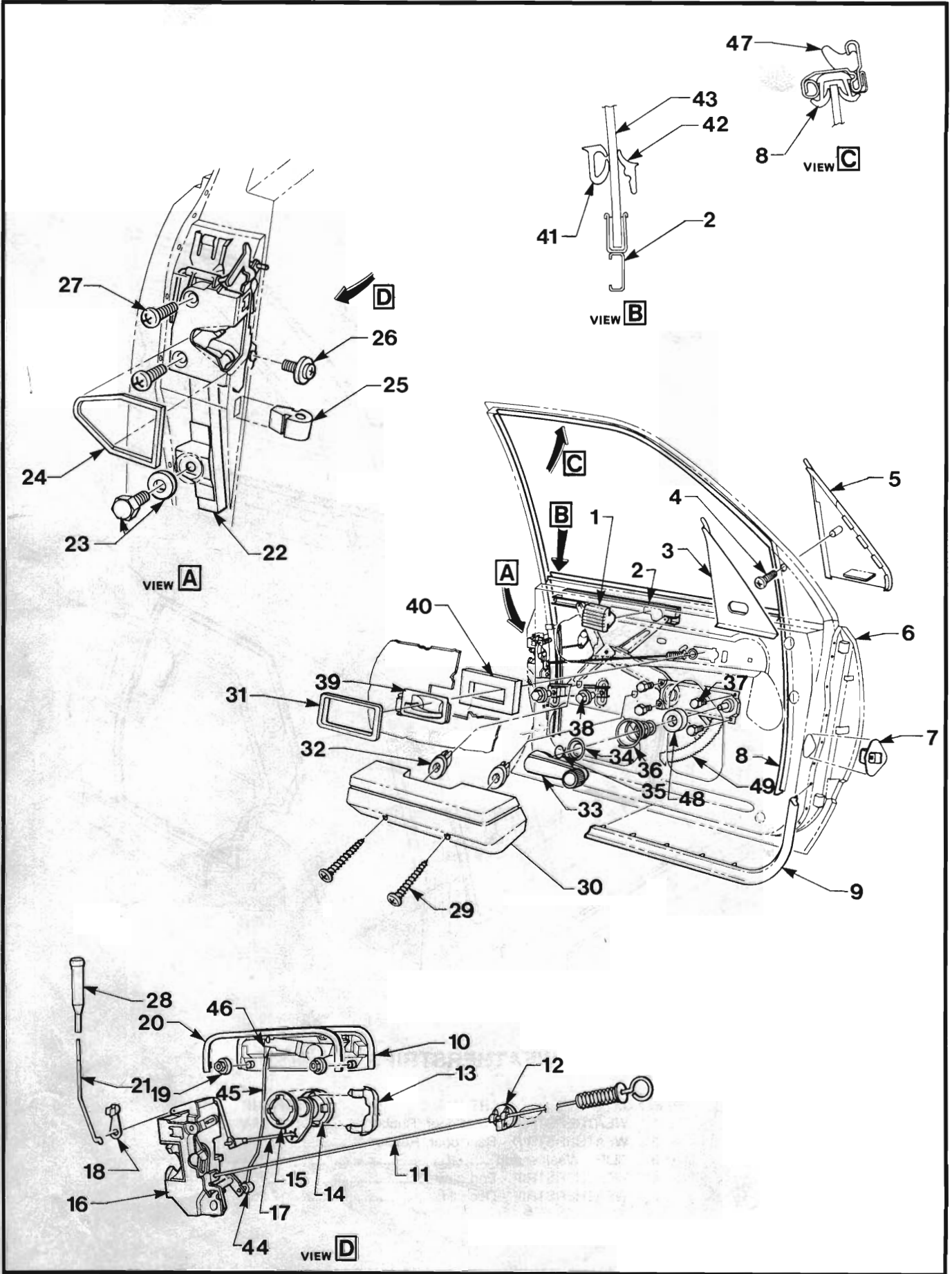
WINDSHIELD WIPER MOTOR & LINKAGE

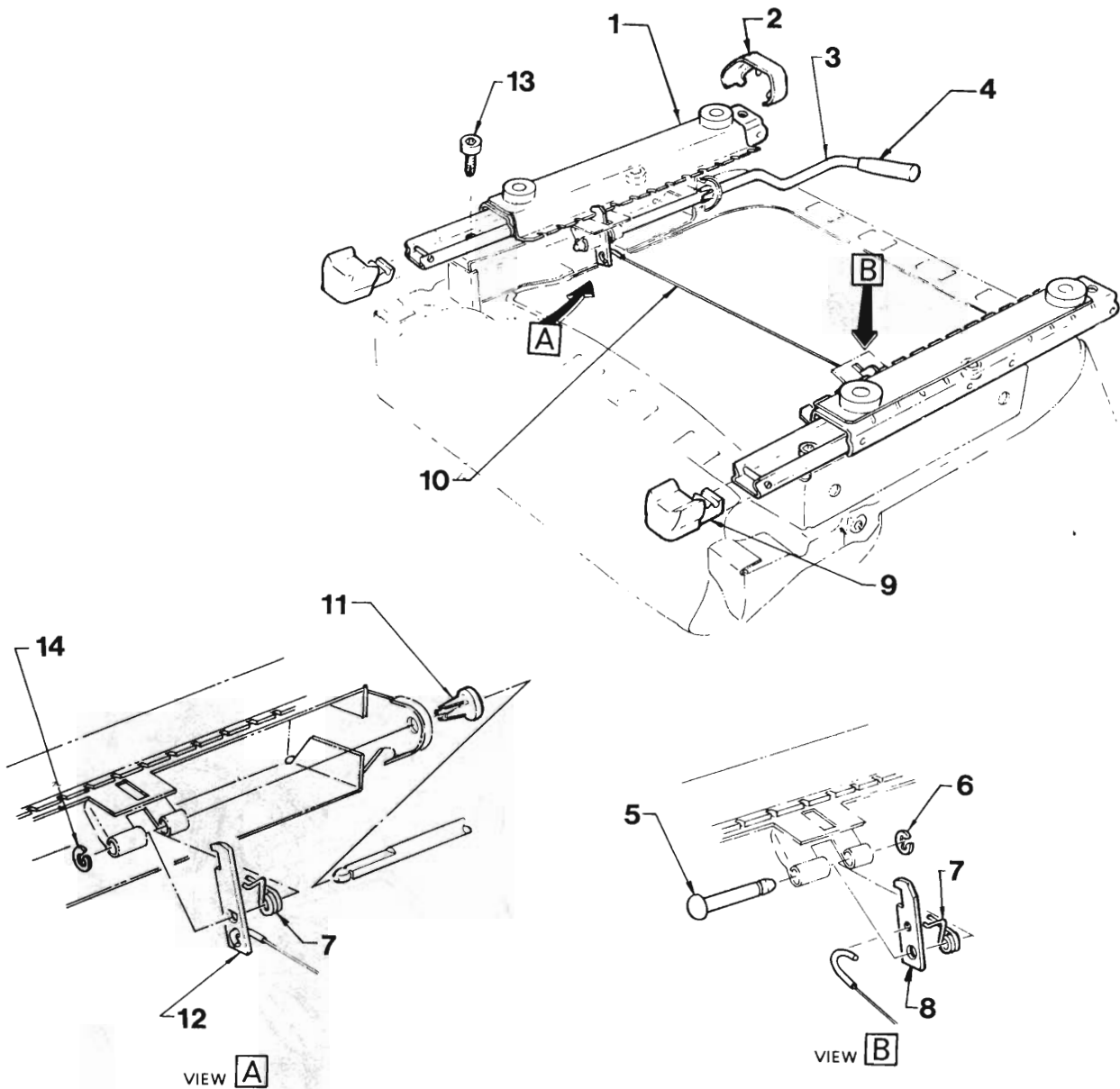
REF. NO.	PART NAME	GROUP
1	LINKAGE UNIT.....	10.159
2	MOTOR ASM.	10.150
3	ARM ASM.	10.147
4	BLADE ASM.	10.146
5	COVER - Wiper arm pivot end.....	10.147
6	MOUNTING - Linkage unit to bracket.....	10.152
7	NUT - Linkage unit to cowl.....	10.152
8	DAMPER - Outer	10.159
9	DAMPER - Inner	10.159
10	WASHER - Linkage unit to cowl.....	10.152



**INSTRUMENT PANEL
VK SERIES**

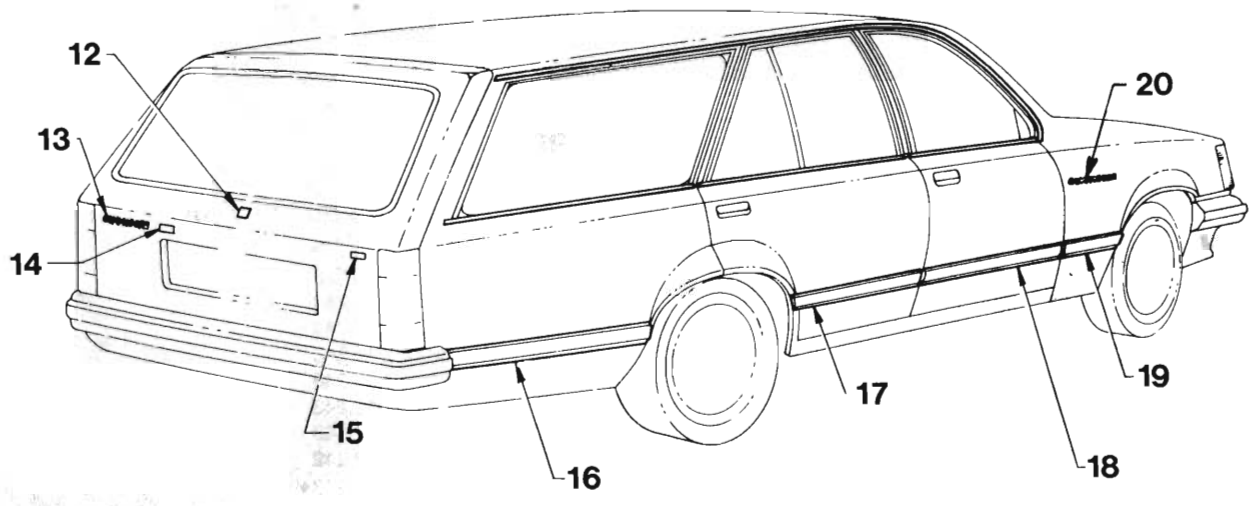
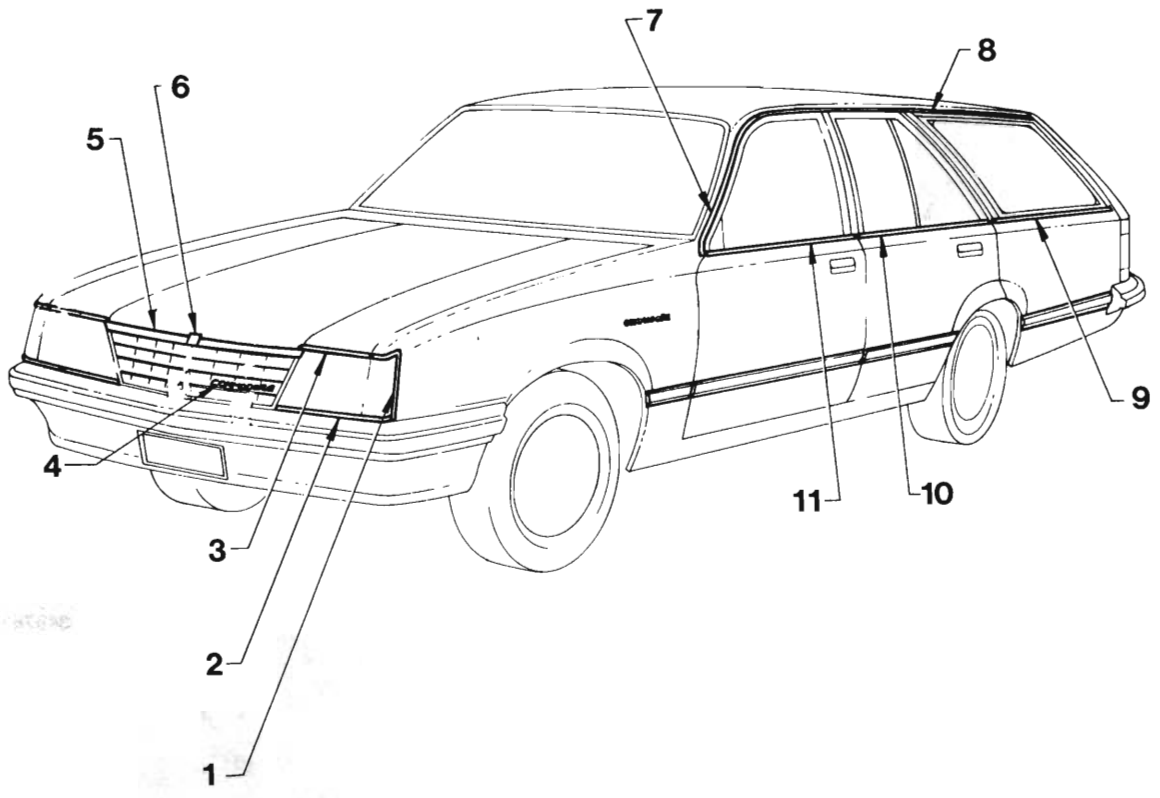
REF. NO.	PART NAME	GROUP
1	FRAME ASM. - Instrument cluster pad & centre nozzle.....	9.743
2	SCREW - Frame to cover	9.743
3	SWITCH ASM. - Instrument touch control.....	9.743
4	COVER - Potentiometer hole closing	10.163
5	PLATE - Instrument panel compartment name....	10.254
6	COVER - Radio opening.....	10.256
7	ASHTRAY ASM. - Instrument panel.....	12.009
8	CLIP - Instrument panel lower right hand side	10.230
9	SCREW - Lower panel to location cover.....	10.230
10	SURROUND - Instrument panel centre.....	10.230
11	SCREW - Heater case cover to lower instrument panel.....	8.849
12	COVER ASM. - Heater case to lower instrument panel.....	8.849
13	SCREW - Surround to cluster surround.....	10.230
14	NUT - Frame to cover	9.743
15	HARNESS ASM. - Instrument cluster frame	9.744

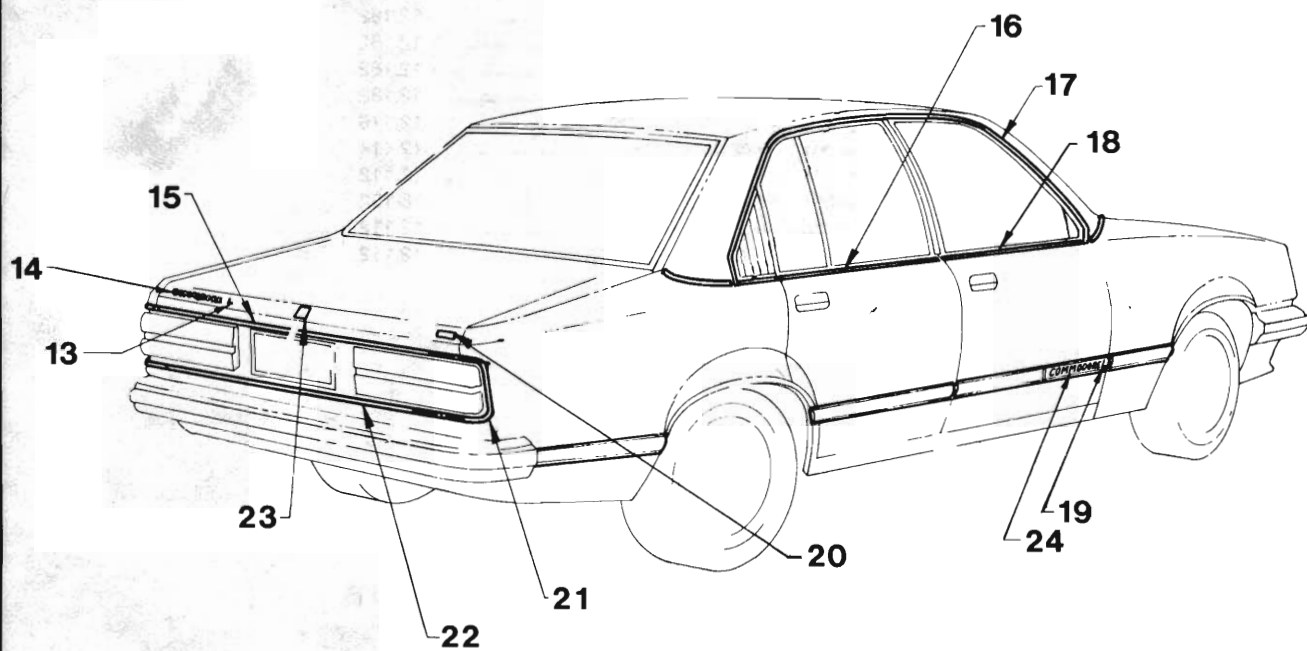
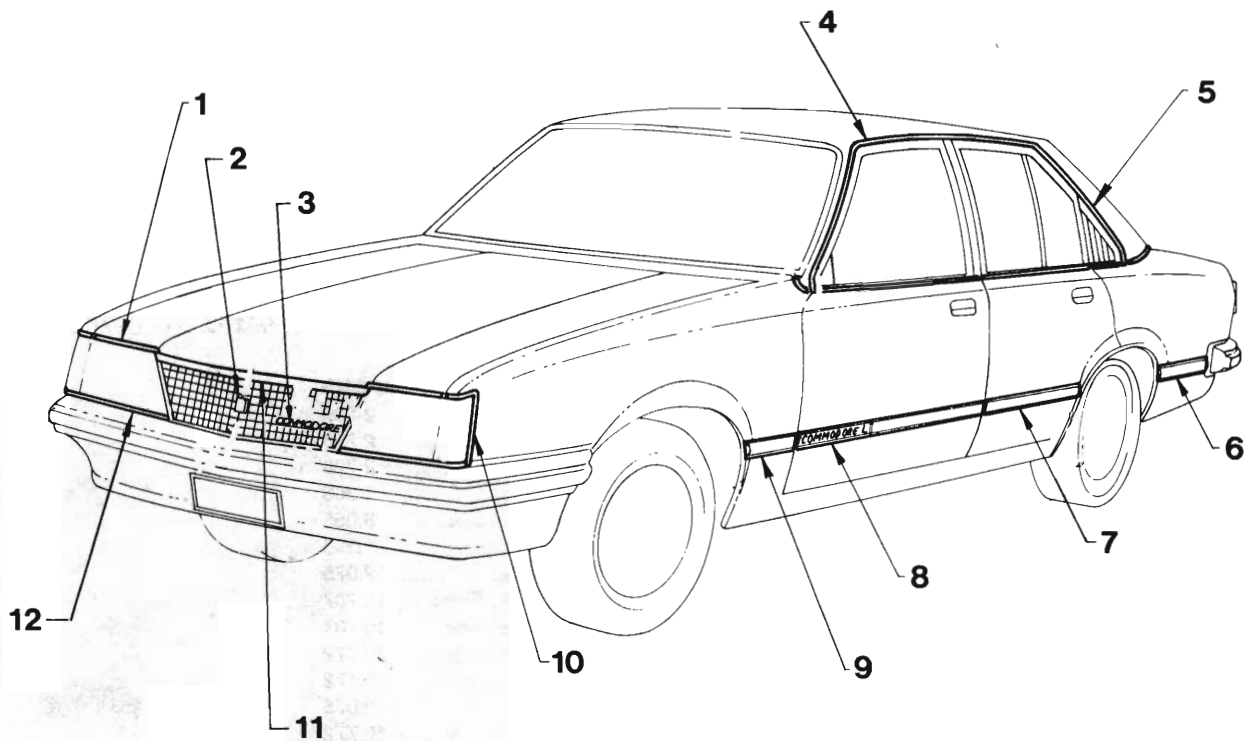




**FRONT SEAT ADJUSTER WITH ROD & KNOB CONTROL
EXC. VERTICAL LIFT SEAT**

REF. NO.	PART NAME	GROUP
1	ADJUSTER ASM.....	11.561
2	CAP - Outer.....	11.561
3	ROD ASM. - Operating.....	11.588
4	GRIP - Operating rod.....	11.588
5	PIN - Lever pivot.....	11.561
6	CIRCLIP - Pin retaining.....	11.561
7	SPRING - Adjuster lever.....	11.581
8	LEVER - Adjusting outer.....	11.561
9	END PIECE - Adjuster.....	11.561
10	WIRE - Adjuster movement.....	11.589
11	BUSH - Operating rod.....	11.589
12	LEVER - Adjusting inner.....	11.561
13	SCREW - Adjuster to seat.....	11.561
14	CIRCLIP - Rod retaining.....	11.589





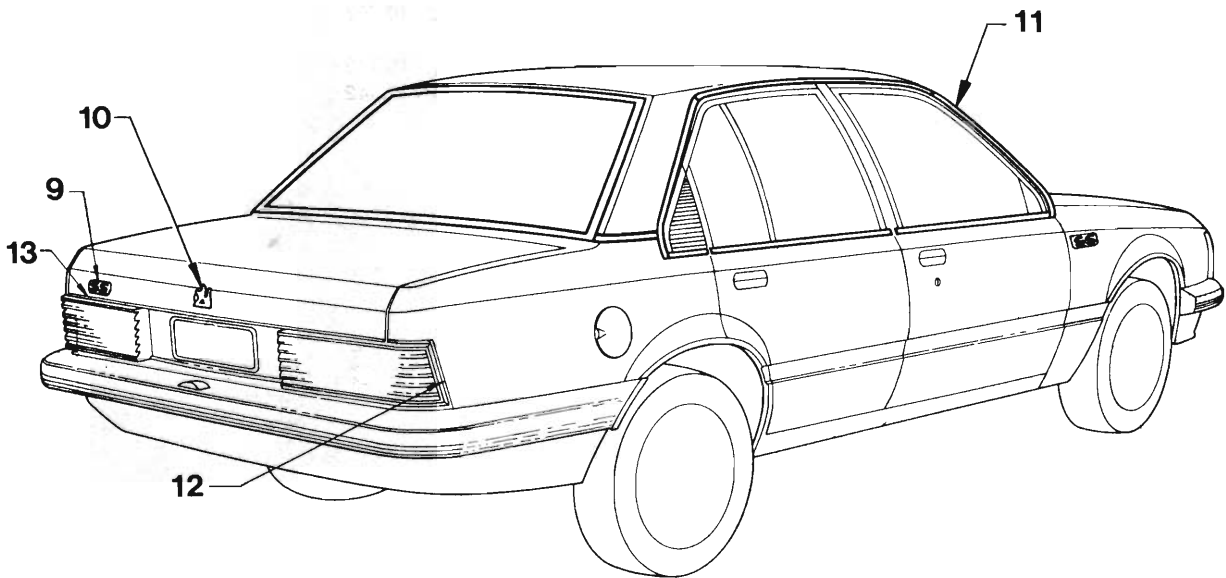
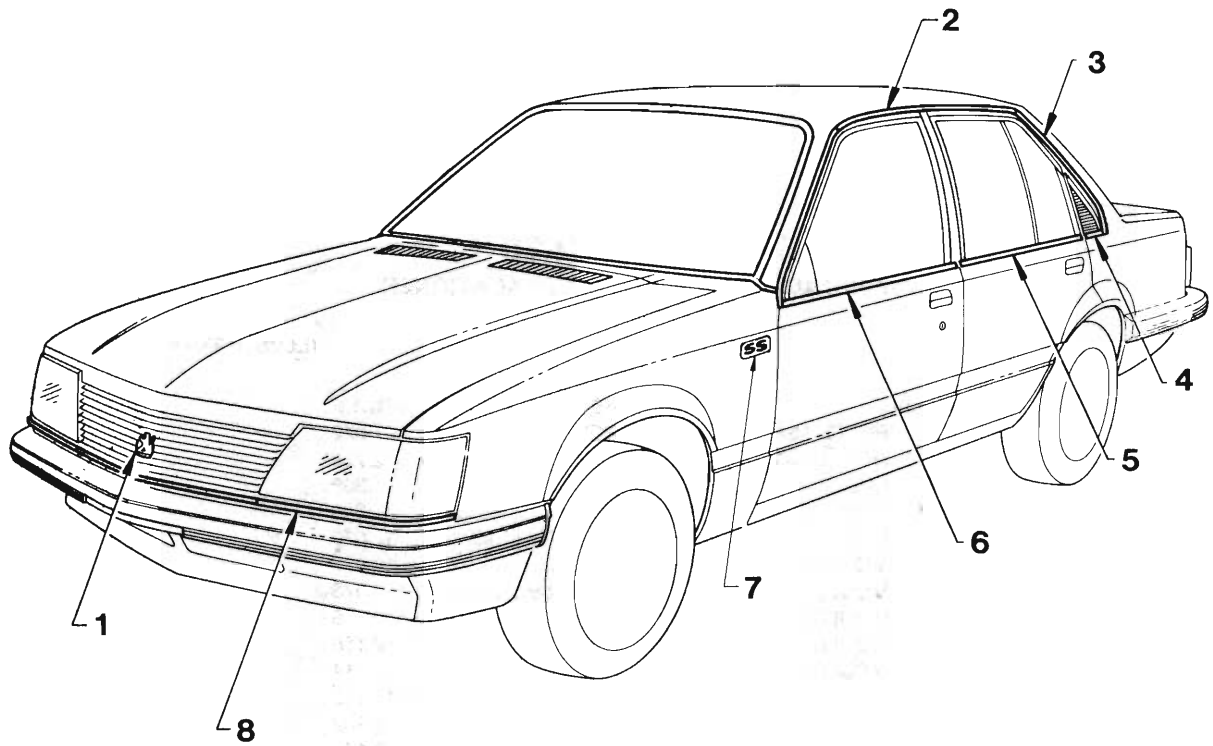
CLICK HERE TO **DOWNLOAD** THE COMPLETE MANUAL

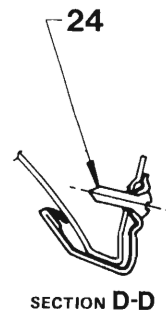
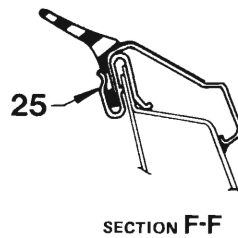
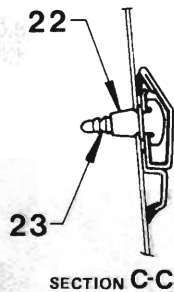
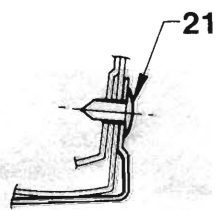
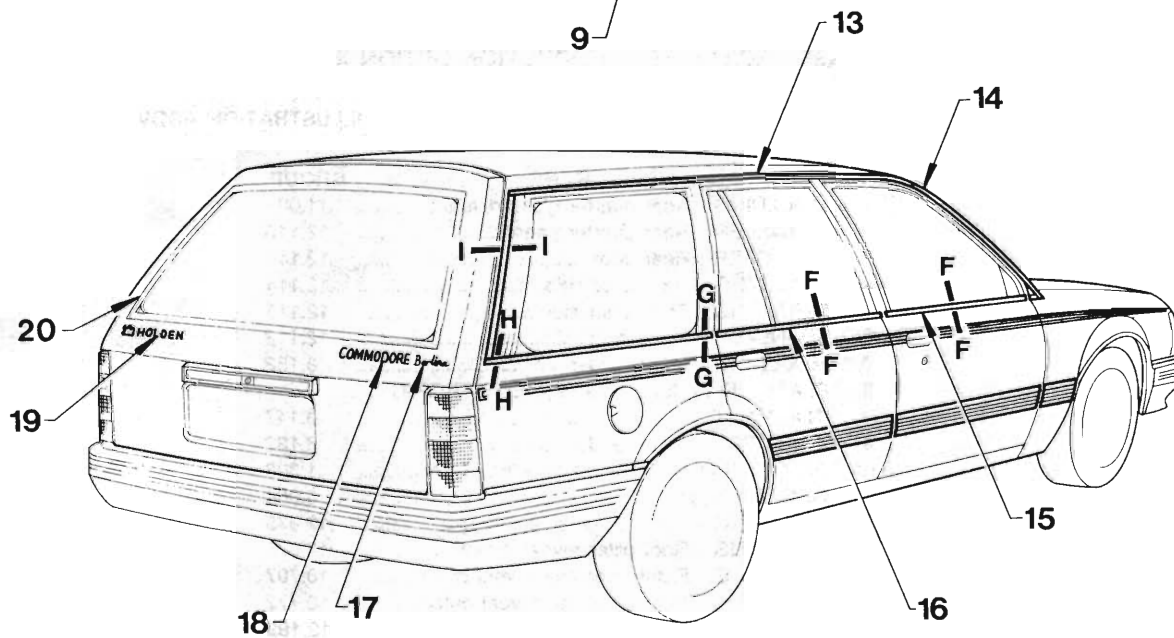
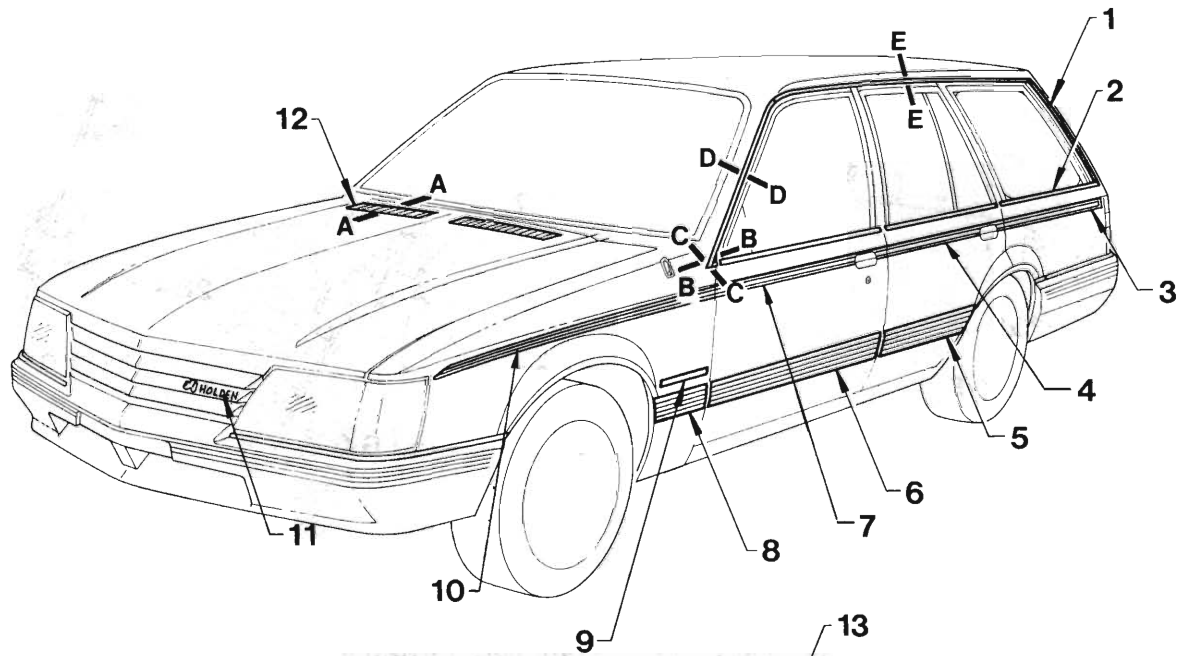
- Thank you very much for reading the preview of the manual.
- You can download the complete manual from: www.heydownloads.com by clicking the link below

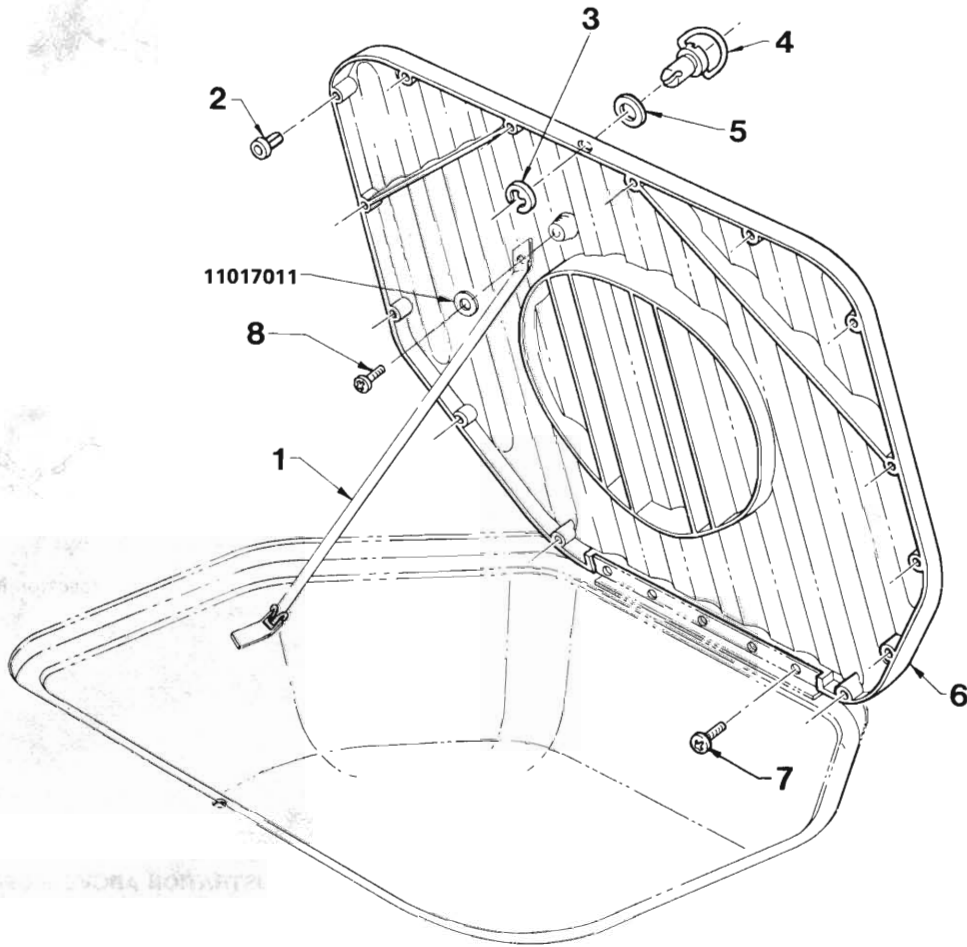


- Please note: If there is no response to CLICKING the link, please download this PDF first and then click on it.

CLICK HERE TO **DOWNLOAD** THE COMPLETE MANUAL



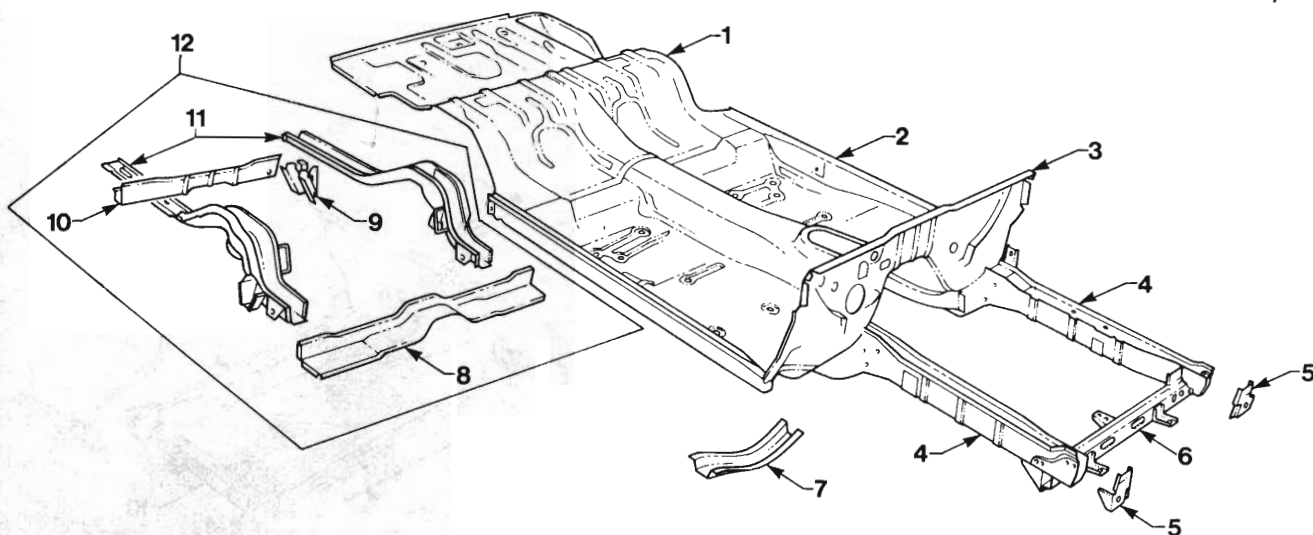




SPARE WHEEL COMPARTMENT COVER

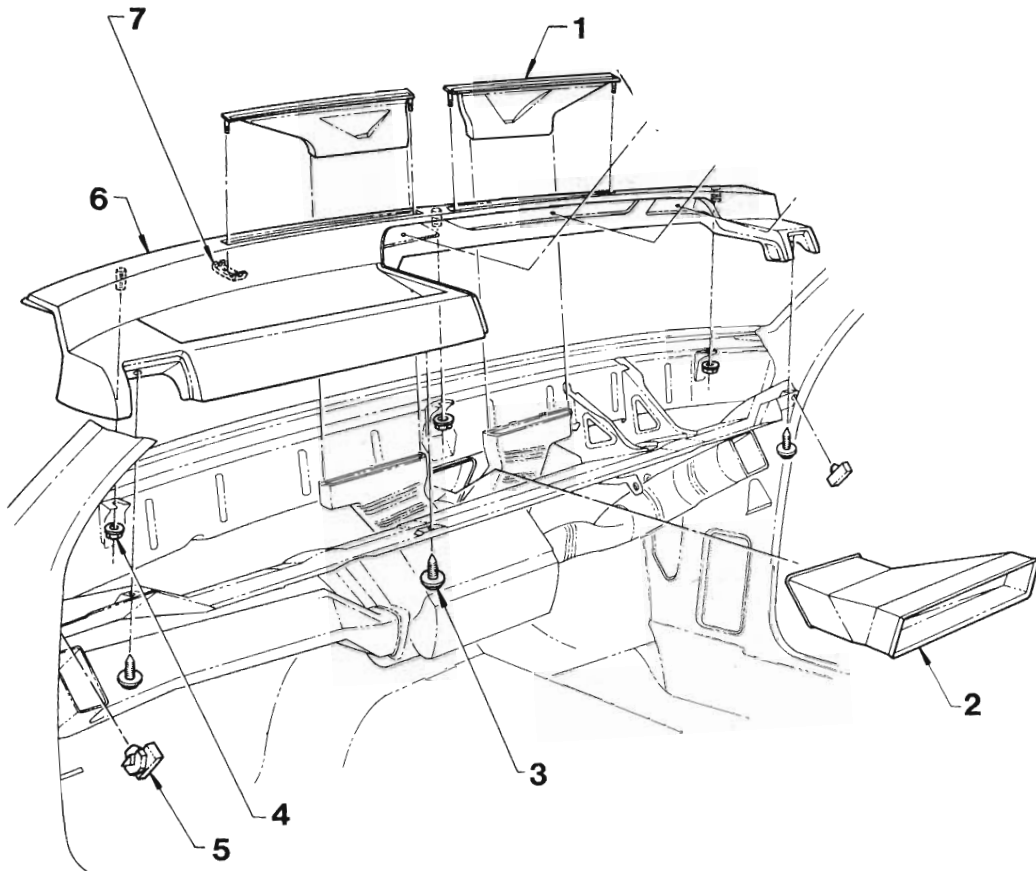
**35 BODY STYLES
VB, VC, VH, VK SERIES**

REF. NO.	PART NAME	GROUP
1	STRAP - Cover	12.579
2	BUMPER - Cover	12.579
3	CIRCLIP - Lock pin retainer	12.579
4	PIN ASM. - Lock	12.579
5	WASHER - Lock pin	12.579
6	PANEL ASM. - Moulded P.M.C.	12.579
7	SCREW - Hinge to cover	12.579
8	SCREW - Strap to cover	12.579



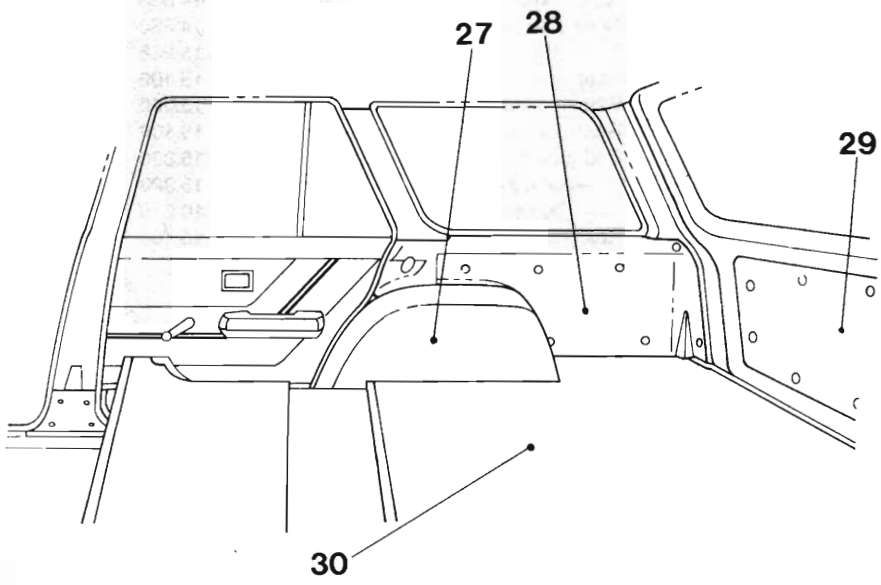
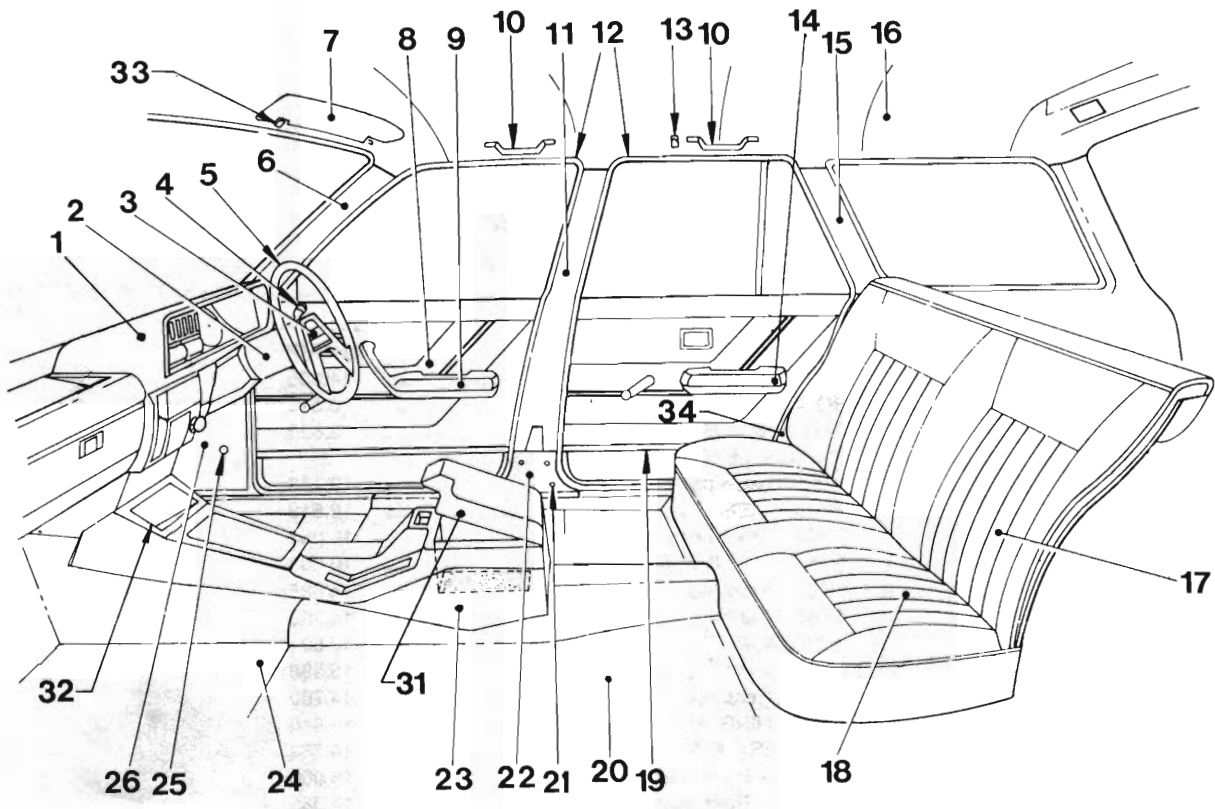
**BODY PANELS
SEDAN
69 & 19 STYLES**

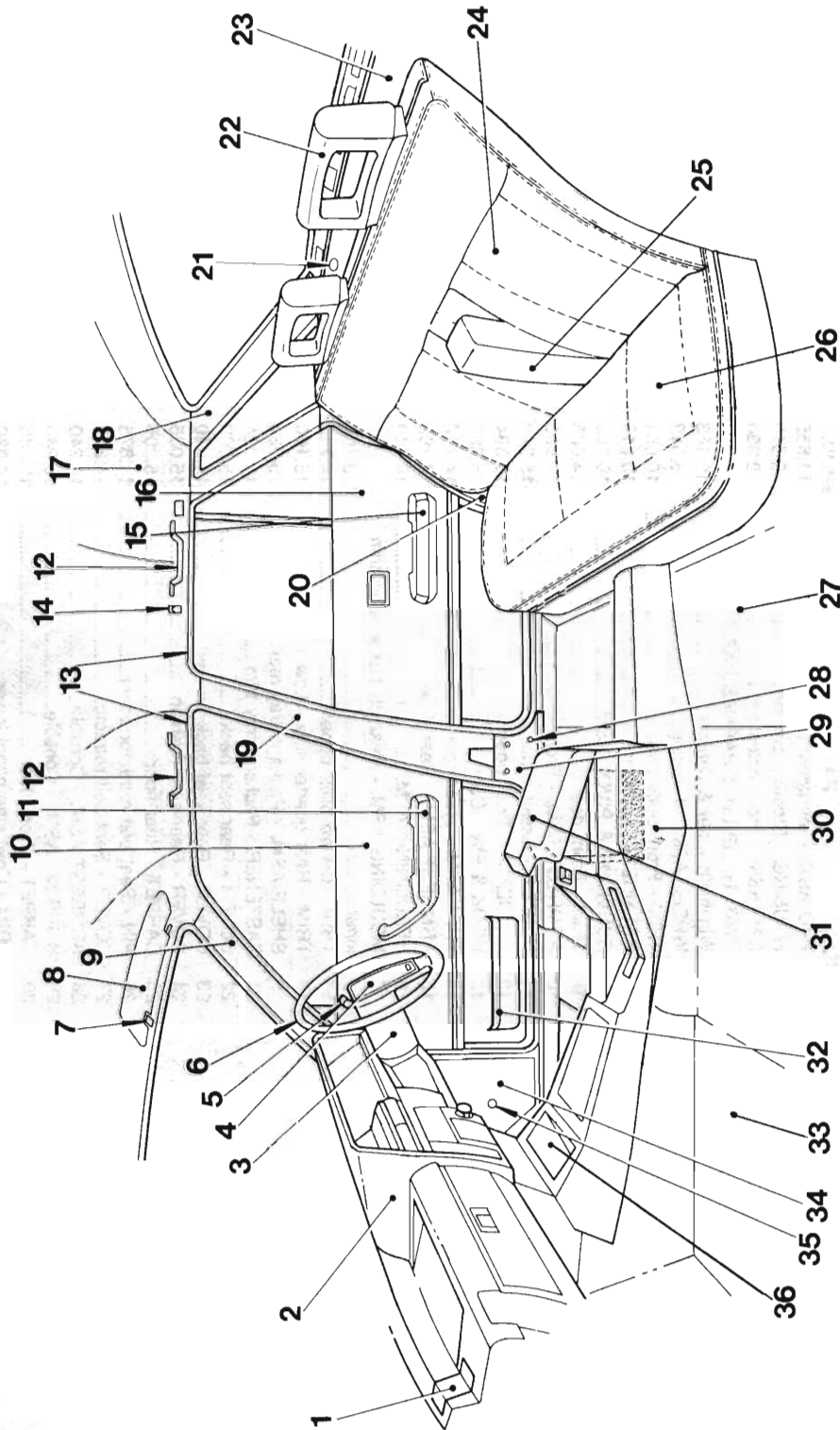
REF. NO.	PART NAME	GROUP
1	PAN ASM. - Rear floor.....	12.981
2	PAN - Front floor.....	12.980
3	PANEL - Dash lower.....	12.804
4	FRAME ASM. - Front.....	7.003
5	COVER - Front member, Lateral.....	7.003
6	CROSSMEMBER ASM. - Front front.....	7.010
7	BRIDGE - Crossmember - Centre.....	7.012
8	CROSSMEMBER - Centre.....	N.S.S.
9	BRACKET - Panhard rod.....	5.418
9	7.014
9-10	CROSSMEMBER & BRACKET - Panhard rod....	7.014
11	FRAME ASM. - Side.....	7.006
12	FRAME ASM. - Rear.....	7.014



**INSTRUMENT PANEL PAD
VK SERIES**

REF. NO.	PART NAME	GROUP
1	NOZZLE - Demist outlet.....	9.779
2	DUCT - Air outlet - Centre.....	9.262
3	SCREW - Upper pad to bracket.....	14.655
4	NUT - Upper pad to reinforcement.....	14.655
5	BUMPER - Instrument panel lower.....	10.230
6	PAD ASM. - Instrument panel.....	14.655
7	NUT - Demist nozzle to instrument panel.....	9.779







"V" SERIES PARTS CATALOGUE

GROUP	DESCRIPTION	SERIES	MODEL/OPTION	SIDE	PART No.	QTY.
ACCESSORIES						
9.169	AIR CONDITIONER PACKAGE - 6 Cyl. Eng.....	K	8VK, 8VL.....		M39035	1
9.645	ANTENNA PACKAGE - Power HARNESS also required - Refer Group 9.647.....	H	8VK, 8VL.....		92000833	1
9.645	ANTENNA PACKAGE - Power.....	K	8VK.....		92022379	1
9.650	ANTENNA - Fibre glass - Mobile telephone.....	B, C, H, K			M39670	1
9.650	ANTENNA - Roof mounted - Mobile telephone.....	B, C, H, K			M39682	1
9.650	ANTENNA - Fender mounted - Mobile telephone.....	B, C, H, K			M39683	1
7.068	BRACE PACKAGE - Rear quarter.....	B, C, H	Sedan.....		92015767	1
7.068	BRACE PACKAGE - Rear quarter.....	K	Sedan.....		92022885	1
3.028	CAP - Fuel tank locking.....	B, C, H, K			9936087	1
8.800	CAR CARE PRODUCTS.....	B, C, H, K			Refer Group	
15.320	CARPET - Rear compartment floor.....	B, C, H, K	Station Wagon.....		Refer Group	
15.222	CARPET - Luggage compartment.....	B, C, H, K	Sedan.....		Refer Group	
14.870	COVER - 'Holden child seat'.....	B, C, H, K			M38317	1
3.880	CRUISE CONTROL PACKAGE.....	B, C, H	8VK, 8VL.....		M39010	1
3.880	CLUTCH DISENGAGE PACKAGE - Cruise control.....	B, C, H	8VK, 8VL.....		M38761	1
3.880	CANISTER - Vacuum - 4 Cyl. Eng. - Cruise control.....	C, H	8VK, 8VL.....		M38767	1
9.614	CUSHION - Coolaride - Blue.....	B, C, H, K			5250043BLU	AR
9.614	CUSHION - Coolaride - Green.....	B, C, H, K			5250043GRN	AR
9.614	CUSHION - Coolaride - Red.....	B, C, H, K			5250043RED	AR
9.614	CUSHION - Coolaride - Black & White.....	B, C, H, K				AR
1.614	CUSHION - Coolaride - Neutral ..	B, C, H, K				AR
10.354	DECAL - Pin striping.....	B, C, H	8VK, 8VL.....		Refer Group	
12.243	DECK LID RELEASE PACKAGE - Remote control - Accessory	B, C, H	8VK, 8VL Sedan.....		U105132	1
12.180	DEFLECTOR PACKAGE - End gate dust.....	B, C, H, K	Station Wagon.....		92011578	1
8.154	DEFLECTOR PACKAGE - Front fender mud.....	B, C, H			92004083	1
8.154	DEFLECTOR PACKAGE - Front fender mud.....	K			92020918	1
8.214	DEFLECTOR PACKAGE - Rear fender mud.....	B, C, H	Station Wagon.....		92015380	1
8.214	DEFLECTOR PACKAGE - Rear fender mud.....	K	Station Wagon.....		92020791	1
8.214	DEFLECTOR PACKAGE - Rear fender mud.....	B, C, H	Sedan.....		92015381	1



BEARING - Transmission clutch gear.....	4.355H
BEARING - Transmission clutch gear.....	4.355S
BEARING - Transmission control.....	4.006V
BEARING - Transmission counter gear.....	4.422F
BEARING - Transmission counter gear.....	4.422H
BEARING - Transmission counter gear.....	4.422S
BEARING - Transmission fifth gear.....	4.416S
BEARING - Transmission first gear.....	4.419S
BEARING - Transmission input shaft to sun gear, Thrust.....	4.159U
BEARING - Transmission input sun.....	4.159W
BEARING - Transmission mainshaft front.....	4.352F
BEARING - Transmission mainshaft front.....	4.352H
BEARING - Transmission mainshaft front.....	4.352S
BEARING - Transmission mainshaft rear.....	4.408F
BEARING - Transmission reaction sun gear.....	4.408H
BEARING - Transmission mainshaft rear.....	4.408S
BEARING - Transmission oil pump.....	4.224W
BEARING - Transmission output shaft.....	4.176W
BEARING - Transmission planet.....	4.159U
BEARING - Transmission reaction sun gear.....	4.159U
BEARING - Transmission reverse idler gear.....	4.431H
BEARING SET - Camshaft.....	0.539D
BEARING SET - Camshaft.....	0.539K
BEARING SET - Camshaft.....	0.539T
BEARING SET - Connecting rod.....	0.616D
BEARING SET - Connecting rod.....	0.616K
BEARING SET - Connecting rod.....	0.616T
BEARING SET - Crankshaft.....	0.094D
BEARING SET - Crankshaft.....	0.094K
BEARING SET - Crankshaft.....	0.094T
BEARING SET - Transmission input sun.....	4.159V
BELT & RETRACTOR - Front seat belt.....	14.875
BELT - Air pump.....	1.066
BELT - Compressor.....	1.066
BELT - Fan & alternator.....	1.066
BELT - Power steering pump.....	1.066
BELT - Rear seat.....	14.875
BEZEL & SEAL - Lock down antenna.....	9.647
BEZEL & SEAL - Power antenna.....	9.647
BINDER - Catalogue.....	8.808
BLADE - End gate window wiper.....	12.188
BLADE - Fan.....	1.064
BLADE - Headlamp wiper.....	2.780
BLADE - Windshield wiper.....	10.146
BLEEDER - Carburettor high speed.....	3.790
BLOCK - Differential pre load.....	5.511
BLOCK - Transmission gearshift lever damping.....	4.303S
BLOWER & AIR INLET - Production air conditioner.....	9.215
BLOWER & AIR INLET - Production air conditioner heater.....	8.857
BODY & DIAPHRAGM - Fuel pump.....	3.902
BODY & GEAR SET - Transmission oil pump.....	4.224U
BODY - Air cleaner.....	3.406
BODY - Anti dieseling solenoid.....	3.440
BODY - Back up lamp.....	2.697
BODY - Battery harness.....	2.343
BODY - Body wiring.....	13.100
BODY - Carburettor throttle.....	3.729
BODY - Cruise control wiring.....	3.887
BODY - Engine harness.....	2.530
BODY - Fusible link.....	2.530
BODY - Headlamp.....	2.726
BODY - Lighting harness.....	2.483
BODY - Low fuel warning lamp.....	3.107
BODY - Main wiring harness.....	2.483
BODY - Oil pump.....	1.653
BODY - Park brake warning lamp.....	4.569

BODY - Production air conditioner.....	9.276
BODY - Rear drum brake.....	4.665
BODY - Starter cable.....	2.343
BODY - Superlift shock absorber.....	7.346
BODY - Tail lamp harness.....	2.694
BODY - Throttle.....	3.335
BODY - Transmission governor.....	4.256U
BODY - Transmission oil pump.....	4.226V
BODY - Transmission valve.....	4.265U
BODY - Water pump.....	1.073
BODY SHELL - Less doors & deck lid.....	10.002
BOLT & SEAL - Valve push rod cover.....	0.446D
BOLT & SEAL - Valve push rod cover.....	0.446K
BOLT & SPACER - Air conditioner idler.....	9.181
BOLT & SPRING - Steering wheel locking.....	6.500
BOLT & WASHER - Oil pump.....	1.723
BOLT & WASHER - Speedometer cable to transmission.....	4.338F
BOLT & WASHER - Speedometer cable to transmission.....	4.338S
BOLT & WASHER - Speedometer cable to transmission.....	4.338U
BOLT & WASHER - Transmission gearshift control ...	4.012H
BOLT & WASHER - Transmission oil pan.....	4.196W
BOLT - Air conditioner compressor mounting.....	9.173
BOLT - Air conditioner compressor refrigerant sealing.....	9.222
BOLT - Air injection pump.....	3.655
BOLT - Alternator adjusting.....	2.317
BOLT - Alternator mounting.....	2.277
BOLT - Alternator terminal.....	2.313
BOLT - Alternator through.....	2.316
BOLT - Battery earth cable.....	2.343
BOLT - Brake backing plate mounting.....	5.002
BOLT - Camshaft.....	0.533T
BOLT - Camshaft.....	0.736T
BOLT - Camshaft thrust.....	0.533K
BOLT - Carburettor to manifold.....	3.288
BOLT - Clutch.....	0.683T
BOLT - Clutch housing.....	0.679T
BOLT - Clutch housing.....	0.683D
BOLT - Clutch housing.....	0.685K
BOLT - Clutch housing cover.....	0.679D
BOLT - Clutch housing cover.....	0.679K
BOLT - Clutch to flywheel.....	0.862D
BOLT - Clutch to flywheel.....	0.862K
BOLT - Clutch to flywheel.....	0.862T
BOLT - Connecting rod.....	0.623D
BOLT - Connecting rod.....	0.623K
BOLT - Connecting rod.....	0.623T
BOLT - Converter housing cover.....	0.679D
BOLT - Converter housing cover.....	0.679K
BOLT - Converter housing cover.....	0.679T
BOLT - Crankcase front end.....	0.206D
BOLT - Crankcase front end.....	0.206K
BOLT - Crankcase front end.....	0.206T
BOLT - Crankshaft.....	0.662D
BOLT - Crankshaft.....	0.662K
BOLT - Crankshaft bearing cap.....	0.056D
BOLT - Crankshaft bearing cap.....	0.056K
BOLT - Crankshaft bearing cap.....	0.056T
BOLT - Cruise control power unit.....	3.885
BOLT - Cruise control transducer.....	3.885
BOLT - Cylinder head.....	0.293D
BOLT - Cylinder head.....	0.293K
BOLT - Cylinder head.....	0.293T
BOLT - Damper to crankshaft.....	0.662T
BOLT - Differential carrier cap.....	5.506
BOLT - Differential case.....	5.510

"V" SERIES PARTS CATALOGUE



MOUNTING - Transmission support.....	4.081H
MOUNTING - Transmission support.....	4.081S
MOUNTING - Transmission support.....	4.081V
MOUNTING - Transmission support.....	4.081W
MOUNTING - Windshield wiper linkage.....	10.152
MUFFLER & PIPE - Intermediate exhaust.....	3.701
MUFFLER & TAIL PIPE - Rear exhaust.....	3.701
MUFFLER - Air conditioner compressor.....	9.226
MUFFLER - Intermediate exhaust.....	3.701
MUFFLER - Production air conditioner.....	9.226

N

NIPPLE - Air conditioner heater.....	8.846
NIPPLE - Heater.....	8.846
NIPPLE - Heater by pass.....	1.097
NIPPLE - Spark plug lead insulating.....	2.258
NOZZLE - Air distribution demist.....	9.779
NOZZLE - Carburettor pump.....	3.774
NOZZLE - End gate window washer.....	12.188
NOZZLE - Headlamp washer.....	2.780
NOZZLE - Timing chain oil.....	0.748T
NOZZLE - Timing gear oil.....	0.748D
NOZZLE - Timing gear oil.....	0.748K
NOZZLE - Windshield washer.....	10.156
NUDGER - Deceleration control.....	3.440
NUT & SEAL - Strut.....	6.022
NUT & SEAL - Strut.....	7.346
NUT - Air cleaner to carburettor.....	3.403
NUT - Air conditioner hose mounting.....	9.242
NUT - Air conditioner idler.....	9.181
NUT - Air inlet.....	9.786
NUT - Alternator rotor shaft.....	2.280
NUT - Anti dieseling solenoid.....	3.440
NUT - Battery earth cable.....	2.343
NUT - Battery harness.....	2.343
NUT - Brake backing plate mounting.....	5.002
NUT - Brake main cylinder support.....	4.648
NUT - Brake shoe.....	5.103
NUT - Carburettor fuel filter inlet.....	3.740
NUT - Carburettor throttle control.....	3.762
NUT - Carburettor to manifold.....	3.288
NUT - Clutch fan.....	1.050
NUT - Clutch fork.....	0.796K
NUT - Clutch fork.....	0.796T
NUT - Clutch fork.....	0.797D
NUT - Clutch fork.....	0.797K
NUT - Clutch fork ball.....	0.796D
NUT - Clutch housing cover.....	0.679K
NUT - Clutch pedal.....	0.829K
NUT - Clutch pedal.....	0.829T
NUT - Connecting rod bolt.....	0.626D
NUT - Connecting rod bolt.....	0.626K
NUT - Connecting rod bolt.....	0.626T
NUT - Console.....	10.240
NUT - Console armrest.....	10.242
NUT - Console attaching.....	10.240
NUT - Converter housing cover.....	0.679D
NUT - Converter housing cover.....	0.679K
NUT - Cruise control transducer.....	3.885
NUT - Differential pinion.....	5.545
NUT - Distributor to coil lead.....	2.401
NUT - Electronic speedometer.....	3.885
NUT - Electronic speedometer.....	9.761
NUT - Engine mounting.....	0.002D
NUT - Fan.....	1.064
NUT - Front bumper bar fascia.....	7.874
NUT - Front control arm tension.....	6.168
NUT - Front fender attaching.....	8.143
NUT - Front stabilizer shaft.....	7.240

NUT - Front suspension lower control arm.....	6.172
NUT - Front suspension lower control arm.....	6.174
NUT - Fuel filler stone guard.....	3.003
NUT - Fuel tank mounting.....	3.023
NUT - Fuel tank sender.....	3.107
NUT - Fuel tank stone guard.....	3.015
NUT - Headlamp moulding.....	2.729
NUT - Headlamp wiper.....	2.780
NUT - Heater blower.....	8.854
NUT - Hood lock.....	8.085
NUT - Hub & disc to knuckle & strut.....	6.020
NUT - Hub & disc to knuckle & strut.....	6.321
NUT - Idle boost solenoid.....	3.440
NUT - Inlet & exhaust manifold.....	3.275
NUT - Inlet manifold.....	3.265
NUT - Instrument panel lower right hand side.....	10.230
NUT - Instrument panel pad.....	14.655
NUT - Manifold to exhaust pipe.....	3.275
NUT - Panhard rod.....	5.418
NUT - Park brake lever.....	4.594
NUT - Park brake lever.....	4.612
NUT - Production air conditioner hose mounting.....	9.242
NUT - Radiator grille name.....	1.303
NUT - Rear axle control arm.....	5.383
NUT - Rear bumper bar fascia.....	7.874
NUT - Rear shock absorber to rear axle.....	7.347
NUT - Rear shock absorber to underbody.....	7.389
NUT - Rear stabilizer shaft.....	7.240
NUT - Rear stabilizer shaft.....	7.242
NUT - Spare wheel mounting.....	7.632
NUT - Starter cable.....	2.343
NUT - Starter motor solenoid.....	2.102
NUT - Steering.....	6.525
NUT - Steering tie rod socket to steering arm.....	6.234
NUT - Steering tie rod to rack.....	6.230
NUT - Steering wheel to column.....	6.515
NUT - Strut.....	6.022
NUT - Strut.....	7.346
NUT - Superlift shock absorber.....	7.346
NUT - Throttle body.....	3.335
NUT - Tie rod to socket asm.....	6.234
NUT - Transmission manual range selector.....	4.275V
NUT - Transmission mounting.....	4.085H
NUT - Transmission mounting.....	4.085S
NUT - Transmission servo piston.....	4.233U
NUT - Transmission shifter shaft.....	4.046F
NUT - Valve rocker arm.....	0.429T
NUT - Wheel hub bolt.....	5.813
NUT - Wheel hub bolt locking.....	5.813
NUT - Windshield wiper motor.....	10.150

O

'O' RING - Air conditioner compressor.....	9.175
'O' RING - Air conditioner compressor.....	9.177
'O' RING - Air conditioner refrigerant sealing.....	9.222
'O' RING - Heater water valve.....	8.866
'O' RING - Power steering pressure hose to pump.....	6.674
'O' RING - Production air conditioner compressor.....	9.222
'O' RING - Production air conditioner refrigerant sealing.....	9.222
'O' RING - Speedometer driven gear guide.....	4.338H
'O' RING - Steering gear rack piston.....	6.586
'O' RING - Steering gear valve housing.....	6.550
'O' RING - Strut.....	6.022
'O' RING - Strut.....	7.346
'O' RING - Transmission reverse shifter.....	4.302S
'O' RING - Transmission valve body detent.....	4.265U
OIL - Strut.....	6.022
OIL - Strut.....	7.346



"V" SERIES PARTS CATALOGUE

WIRE - Transmission detent 4.275W
 WRENCH - Wheel nut 8.821

Y

YOKE - Steering gear 6.822
 YOKE - Transmission reverse shifter 4.303F
 YOKE - Universal joint 5.555
 YOKE END - Transmission control 4.035V
 YOKE END - Transmission control 4.035W



GROUP	DESCRIPTION	SERIES	MODEL/OPTION	SIDE	PART No.	QTY.
6 CYLINDER ENGINE						
0.034K PLUG, PIN - Cylinder block (contd.)						
	PLUG - Water jacket core - 1 5/8"	B, C, H, K			838538	3
	PLUG - Water jacket core - 1 11/16" cup....	B, C, H, K	(SP1648)			3
	PLUG KIT - Expansion	B, C, H, K			7420345	1
	PLUG - Water jacket core - 1 1/4"	B, C, H, K			7401296	2
	PLUG - Water drain.....	B, C, H, K			444819	1
	PLUG - Oil indicator tube hole.....	B, C, H, K			SP2649	1
	PIN - Dowel - Cylinder head to cylinder block	B, C, H, K			141216	AR
	PLUG - Cylinder block oil gallery - Front.....	B, C, H, K			7419064	1-3
	PLUG - Main gallery oil hole - Rear.....	B, C, H, K			444782	1
0.034K COVER, GASKET - Engine block						
	COVER - Fuel pump opening.....	K	3.3 Litre Eng. with E.F.I.		92017332	1
	GASKET - Cover	K	3.3 Litre Eng. with E.F.I.		92014836	1
	SCREW - Cover & clip to engine	K	3.3 Litre Eng. with E.F.I. .. (9415813)			1
	WASHER - Cover & clip to engine.....	K	3.3 Litre Eng. with E.F.I. (SP2481)			1
0.056K BOLT - Crankshaft bearing cap						
	BOLT - Bearing cap.....	B, C, H, K			7420106	14
0.094K BEARING SET - Crankshaft						
	BEARING SET - Standard	B	(2817581) (92010840)		2823905	1
	BEARING SET - .001" U/S.....	B	(92010841)		2823906	1
#	BEARING SET - .002" U/S.....	B	(92010842)			1
#	BEARING SET - .010" U/S.....	B	(92010843)			1
	BEARING SET - .020" U/S.....	B	(92010844)			1
	BEARING SET - .030" U/S.....	B	(92010845)			1
	BEARING SET - Standard	C, H			2823905	1
	BEARING SET - .001" U/S.....	C, H			2823906	1
	BEARING SET - .002" U/S.....	C, H			92002113	1
	BEARING SET - .010" U/S.....	C, H			2823907	1
	BEARING SET - .020" U/S.....	C, H			2823908	1
	BEARING SET - .030" U/S.....	C, H	(2823909)			1
	BEARING SET - Standard	K	2.85 Litre Eng.		2823905	1
	BEARING SET - .001" U/S.....	K	2.85 Litre Eng.		2823906	1
	BEARING SET - .002" U/S.....	K	2.85 Litre Eng.		92002113	1
	BEARING SET - .010" U/S.....	K	2.85 Litre Eng.		2823907	1
	BEARING SET - .020" U/S.....	K	2.85 Litre Eng.		2823908	1
	BEARING SET - .030" U/S.....	K	2.85 Litre Eng. (2823909)			1
	BEARING SET - Standard	K	3.3 Litre Eng.		92029373	1
	BEARING SET - .0005" U/S	K	3.3 Litre Eng.		92029374	1
	BEARING SET - .001" U/S.....	K	3.3 Litre Eng.		92029375	1
	BEARING SET - .0015" U/S	K	3.3 Litre Eng.		92029352	1
	BEARING SET - .002" U/S.....	K	3.3 Litre Eng.		92029353	1
#	BEARING SET - .010" U/S.....	K	3.3 Litre Eng. (92029354)			1
	BEARING SET - .020" U/S.....	K	3.3 Litre Eng.		92029355	1
	BEARING SET - .030" U/S.....	K	3.3 Litre Eng.		92029356	1
0.094K BEARING - Crankshaft						
	BEARING - Upper - Standard	K	3.3 Litre Eng.		92029266	2-6
	BEARING - Lower - Standard	K	3.3 Litre Eng.		92029275	2-6
	BEARING - Thrust upper - Standard.....	K	3.3 Litre Eng.		92029284	1
	BEARING - Thrust lower - Standard.....	K	3.3 Litre Eng.		92029293	1
	BEARING - Upper - .0005" U/S	K	3.3 Litre Eng.		92029267	2-6
	BEARING - Lower - .0005" U/S	K	3.3 Litre Eng.		92029276	2-6
	BEARING - Thrust upper - .0005" U/S.....	K	3.3 Litre Eng.		92029285	1



"V" SERIES PARTS CATALOGUE

GROUP	DESCRIPTION	SERIES	MODEL/OPTION	SIDE	PART No.	QTY.
6 CYLINDER ENGINE						
0.830K PAD - Clutch pedal	PAD - Clutch pedal	B, C, H, K	(M)		92004953	1
0.831K BUSH - Clutch pedal	BUSH - Pedal pivot	B, C, H, K	(M)		92016567	2
0.833K SHAFT, WASHER - Clutch pedal mounting	SHAFT - Clutch & brake pedal mounting.....	B, C, H, K	(M)		90075318	1
	WASHER - Pedal shaft to bracket, locking...	B, C, H, K	(M)		11053181	1
0.844K SPRING - Clutch return	SPRING - Clutch pedal return	B, C, H, K	(M)	(90077207)	90182363	1
0.854K CABLE, TUBE, DAMPER, GROMMET, WASHER, STRAP - Clutch control	CABLE & CONDUIT ASM. - Use with clutch pedal fitted with one bush.....	B, C	(M) exc. Torquemaster Trans.		92017387	1
				(9945545)		
	CABLE & CONDUIT ASM. - Use with clutch pedal fitted with 1 bush.....	H	(M) exc. Torquemaster Trans., 5 Speed Trans.		92017387	1
	CABLE & CONDUIT ASM. - Use with clutch pedal fitted with 2 bushes.....	H, K	(M) exc. Torquemaster Trans., 5 Speed Trans.		92017386	1
	CABLE & CONDUIT ASM. - Use with clutch pedal fitted with 1 bush.....	B	(M) Torquemaster Trans. Use 92017389 (92002117) (92017390)			1
	CABLE & CONDUIT ASM. - Use with clutch pedal fitted with 1 bush.....	H	(M) Torquemaster Trans., 5 Speed Trans. Use 92017389 . (92017390)			1
	CABLE & CONDUIT ASM. - Use with clutch pedal fitted with 2 bushes.....	H, K	(M) Torquemaster Trans., 5 Speed Trans.		92017389	1
	TUBE - Clutch cable guide	B, C	(M)	(90063954)		
	DAMPER - Clutch cable mounting.....	B, C, H, K	(M)		03461947	1
	GROMMET - Clutch cable damper.....	B, C, H, K	(M)		02890668	1
	GROMMET - Clutch cable mounting.....	B, C, H, K	(M)		03432775	1
	WASHER - Clutch cable mounting	B, C, H, K	(M)	(03432776)	3432776	1
#	WASHER - Cable thrust.....	B, C, H, K	(M)		SP2940	1
	STRAP - Cable.....	B, C, H, K	(M)		SP2977	1
0.859K COVER & PRESSURE PLATE - Clutch	COVER & PRESSURE PLATE ASM.	B	(M)		7429381	1
	COVER & PRESSURE PLATE ASM.	C, H, K	(M) exc. E.F.I.		92005253	1
0.860K REPAIR KIT - Clutch	REPAIR KIT	B	(M)	(M38396)		1
	REPAIR KIT	C, H, K	(M) exc. E.F.I.		M38543	1
NOTE:- REPAIR KIT Contains:-						
1 X BEARING ASM. - Clutch throwout. Refer 0.799K						
1 X COVER & PRESSURE PLATE ASM. - Clutch. Refer 0.861K						
1 X PLATE ASM. - Clutch driven. Refer 0.886K						



GROUP	DESCRIPTION	SERIES	MODEL/OPTION	SIDE	PART No.	QTY.
8 CYLINDER ENGINE						
0.854T CABLE, TUBE, DAMPER, GROMMET, SPRING - Clutch control (contd.)						
	TUBE - Clutch cable guide	B, C, H	(M)		(90063954)	
	DAMPER - Clutch cable mounting.....	B, C, H, K	(M)		03461947	1
	GROMMET - Clutch cable damper.....	B, C, H, K	(M)		02890668	1
	GROMMET - Clutch cable mounting.....	B, C, H, K	(M)		03432775	1
	WASHER - Clutch cable mounting.....	B, C, H, K	(M)		3432776	1
φ	WASHER - Cable thrust.....	B, C, H, K	(M)		SP2940	1
	SPRING - Clutch cable to frame.....	B, C, H, K	(M)		9931660	1
	CLAMP - Clutch cable adjustment.....	K	(M)		SP3275	1
0.859T COVER & PRESSURE PLATE - Clutch						
	COVER & PRESSURE PLATE ASM. - 243.84mm (9.60") Dia.....	B, C, H	(M) 4.2 Litre Eng. Use 7436633 (7436634)			1
	COVER & PRESSURE PLATE ASM. - 256.54mm (10.10") Dia.....	B, C, H	(M) 4.2 Litre Eng.		7436633	1
	COVER & PRESSURE PLATE ASM. - 256.54mm (10.10") Dia.....	B	(M) 5.0 Litre Eng.		7436633	1
	COVER & PRESSURE PLATE ASM. - 256.54mm (10.10") Dia.....	C	(M) 5.0 Litre Eng. exc. H.D.T. Commodore.....		7436633	1
	COVER & PRESSURE PLATE ASM.	C	H.D.T. Commodore (M38461)		92022067	1
	COVER & PRESSURE PLATE ASM. - 256.54mm (10.10") Dia.....	H	(M) 5.0 Litre Eng. exc. Engine Performance Equipment.....		7436633	1
	COVER & PRESSURE PLATE ASM.	H	Engine Performance Equipment (M38461)		92022067	1
	COVER & PRESSURE PLATE ASM. - 256.54mm (10.10") Dia.....	K	(M) 8 Cyl. Eng. exc. Engine Performance Equipment.....		7436633	1
φ	COVER & PRESSURE PLATE ASM.	K	Engine Performance Equipment P.O.A9L, V5H.....		92022067	1
0.860T REPAIR KIT - Clutch						
	REPAIR KIT.....	B, C, H	(M) 4.2 Litre Eng.		M38397	1
	REPAIR KIT.....	B, C, H	(M) 5.0 Litre Eng. exc. H.D.T. Commodore, Engine Performance Equipment.....		M38398	1
	REPAIR KIT.....	K	(M) 8 Cyl. Eng. exc. Engine Performance Equipment.....		M38398	1
NOTE:- REPAIR KIT Contains:-						
1 X BEARING - Clutch throwout. Refer 0.799T						
1 X COVER & PRESSURE PLATE ASM. Refer 0.859T						
1 X PLATE ASM. Refer 0.886T						
0.862T BOLT, WASHER - Clutch to flywheel						
	BOLT	B, C, H, K	(M)		7402029	6
	WASHER.....	B, C, H, K	(M)		11011518	6
0.886T PLATE - Clutch driven						
	PLATE ASM.....	B, C, H	(M) 4.2 Litre Eng.		7436630	1
	PLATE ASM.....	B, C, H	(M) 5.0 Litre Eng.		7436629	1
	PLATE ASM.....	K	(M) 8 Cyl. Eng.		7436629	1



GROUP	DESCRIPTION	SERIES	MODEL/OPTION	SIDE	PART No.	QTY.
1.252 BOLT, WASHER, SHIM - Thermostat housing (contd.)						
	BOLT - Hex. hd. 3/8"-16 x 2 3/4"	B, C	6 Cyl. Eng. with Air Cond. exc. Power Steering (180137)			1
φ	BOLT - Hex. hd. 3/8"-16 x 3"	B, C	6 Cyl. Eng. with Power Steering.....		180138	2
	BOLT - Hex. hd. 3/8"-16 x 2 3/4"	H	3.3 Litre Eng. with Air Cond exc. Power Steering (180137)			1
φ	BOLT - Hex. hd. 3/8"-16 x 3"	H	3.3 Litre Eng. with Power Steering.....		180138	2
	WASHER - Lock	B, C, H	6 Cyl. Eng. with Power Steering.....		120382	2
#	BOLT - Housing to cylinder head - 3/8"-16 x 1.50"	H	2.85 Litre Eng. (SP3157)			2
	BOLT - Housing to cylinder head	H	2.85 Litre Eng.		9436896	1
#	BOLT - Housing to cylinder head - 3/8"-16 x 1.50"	K	6 Cyl. Eng. (SP3157)			2
	BOLT - Housing to cylinder head	K	6 Cyl. Eng.		9436896	1
1.252 SHIM - Thermostat housing						
	SHIM - Housing to cylinder head.....	H	2.85 Litre Eng.		11027284	1
	SHIM - Housing to cylinder head.....	K	6 Cyl. Eng. exc. Air Pump.....		11027284	1
1.252 GASKET - Thermostat housing & adaptor to cylinder head						
	GASKET	C	4 Cyl. Eng.		7429459	1
	GASKET - Thermostat.....	H, K	4 Cyl. Eng.		92013634	1
	GASKET - Adaptor to cylinder head.....	H, K	4 Cyl. Eng.		92013635	1
	GASKET	B, C	6 Cyl. Eng.		7429459	1
	GASKET - Thermostat.....	H	2.85 Litre Eng.		92013634	1
	GASKET - Adaptor to cylinder head.....	H	2.85 litre Eng.		92013635	1
	GASKET	H	3.3 litre Eng.		7429459	1
	GASKET - Thermostat.....	K	6 Cyl. Eng.		92013634	1
	GASKET - Adaptor to cylinder head.....	K	6 Cyl. Eng.		92013635	1
NOTE:- Refer 1.154 for Thermostat housing outlet cover gasket.						
1.263 AIR DAM - Front						
NOTE:- Refer Group 1.020						
1.263 PANEL - Front end						
	PANEL ASM. - Complete	B, C		9946670	1
	PANEL ASM. - Complete	H		92012158	1
	PANEL ASM. - Complete	K		92018277	1
1.263 PANEL, BAFFLE, SKIRT - Front end lower						
	PANEL - Valance.....	B, C, H		90054204	1
	BAFFLE - Valance panel to crossmember....	B, C, H		92001126	1
	BAFFLE - Valance panel to crossmember....	H	'SS' Commodore Use 92001126 (92020332)			1
	SCREW - Baffle to valance panel	B, C		11072641	4
	SCREW - Baffle to valance panel	H	Exc. Air Cond.....		11072641	4
	SCREW - Baffle to valance panel	H	Air Cond.....		11072641	2
	SCREW - Baffle to crossmember	B, C, H		11072641	4
	SKIRT - Front panel.....	K		92018279	1
	BAFFLE - Skirt to crossmember	K		92001126	1
	SCREW - Baffle to skirt.....	K	Exc. Air Cond.....		11072641	4
	SCREW - Baffle to skirt.....	K	Air Cond.....		11072641	2
	SCREW - Baffle to crossmember	K		11072641	4
1.266 GRILLE, GROMMET - Radiator						
	GRILLE ASM.....	B	8VK.....		92002848	1
	GRILLE ASM.....	B	8VL (9947295)		92001626	1
	GRILLE ASM.....	B	8VX.....		92001626	1

"V" SERIES PARTS CATALOGUE



GROUP	DESCRIPTION	SERIES	MODEL/OPTION	SIDE	PART No.	QTY.
2.183 BRACKET, BOLT, WASHER, DAMPER - Ignition coil mounting (contd.)						
	DAMPER - Coil mounting - Rubber.....	C, H, K	(A) 8 Cyl. Eng. with Production Cruise Control.....		92023711	1
2.187 KEY - Lock						
	KEY - Master blank.....	B, C, H, K			92004583	AR
	KEY - Service blank.....	B, C, H, K			92004585	AR
	KEY - Blank.....	B, C	(92004584)			AR
2.188 BOLT, SPRING - Steering wheel lock						
NOTE:- Refer Group 6.500						
2.188 SWITCH - Ignition & starting						
	SWITCH ASM. - Ignition & starter.....	B, C, H, K			9947833	1
	SPRING - Pre-load.....	B, C, H, K			7804410	1
	SPRING - Return, leaf type.....	B, C, H, K			92020489	1
	SCREW - Switch to column.....	B, C, H, K			SP2866	3
2.188 SERVICE KIT - Ignition & starting						
	SERVICE KIT - Ignition lock - Uncoded.....	B, C, H, K			92001839	1
NOTE:- KIT Contains:-						
LOCK BARREL & COMPONENTS						
	SERVICE KIT - Ignition lock - Coded.....	B, C, H, K			92001840	1
NOTE:- KIT Contains:-						
1 X BARREL ASM.						
3 X KEYS						
2.195 BOLT, RACK, ROD & GUIDE, SECTOR, SCREW - Ignition switch actuator						
	BOLT, RACK, ROD & GUIDE ASM.....	B, C, H	(9946257) (92018823)		92023723	1
	BOLT, RACK, ROD & GUIDE ASM.....	K			92023723	1
	SECTOR.....	B, C, H, K			9947492	1
	SCREW - Guide to jacket.....	B, C, H, K			11052351	2
2.195 SHIELD - Ignition switch protection						
	SHIELD - Steering column - Bolt on type.....	B, C, H, K			92020496	1
	SHIELD - Steering column - Weld on type...	K	(92023662)			1
2.239 LEAD KIT - Spark plug & distributor						
	LEAD KIT - T.V.R.S.....	C	4 Cyl. Eng.		92013920	1
	LEAD KIT - T.V.R.S.....	H, K	4 Cyl. Eng. exc. Air Cond.....		92013920	1
	# LEAD KIT - T.V.R.S.....	H, K	4 Cyl. Eng. with Air Cond.....			1
NOTE:- 4 CYL. ENG. LEAD KIT Contains:-						
1 X LEAD ASM. - Distributor to coil.						
4 X LEAD ASM. - Spark plug.						
	LEAD KIT - T.V.R.S.....	B	6 Cyl. Eng.		7423454	1
	LEAD KIT - Copper Wire.....	B	6 Cyl. Eng. (7436752)			1
	LEAD KIT - H.E.I.....	C	6 Cyl. Eng.		92012265	1
NOTE:- 6 CYL. ENG. LEAD KIT Contains:-						
1 X LEAD ASM. - Distributor to coil.						
6 X LEAD ASM. - Spark plug.						
	LEAD KIT - T.V.R.S.....	B	8 Cyl. Eng.		9938279	1
	LEAD KIT - Copper Wire.....	B	8 Cyl. Eng. (9936674)			1



"V" SERIES PARTS CATALOGUE

GROUP	DESCRIPTION	SERIES	MODEL/OPTION	SIDE	PART No.	QTY.
2.361 DISTRIBUTOR (contd.)						
	DISTRIBUTOR ASM.	(Bosch) H, K	4 Cyl. Eng.		92014168	1
	DISTRIBUTOR ASM.	(Bosch) H	(A) 4 Cyl. Eng.	34)	92010679	1
	DISTRIBUTOR ASM.	(Bosch) H	2.85 Litre Eng.		92014170	1
	DISTRIBUTOR ASM.	(Bosch) H	(M) 3.3 Litre High Compression Engine		92011889	1
	DISTRIBUTOR ASM.	(Bosch) H	(M) 3.3 Litre Low Compression Engine		92004493	1
	DISTRIBUTOR ASM.	(Bosch) H	(A) 3.3 Litre Eng.	20)	92004493	1
	DISTRIBUTOR ASM.	(Bosch) H	(A) 3.3 Litre Eng.	21)	92011890	1
	DISTRIBUTOR ASM.	(Bosch) H	(M) 8 Cyl. Eng.		92004494	1
	DISTRIBUTOR ASM.	(Bosch) H	(A) 8 Cyl. Eng.		92009979	1
	DISTRIBUTOR ASM.	(Bosch) K	2.85 Litre Eng.		92014170	1
	DISTRIBUTOR ASM.	(Bosch) K	3.3 Litre Eng. exc. E.F.I.		92017789	1
	DISTRIBUTOR ASM.	(Bosch) K	3.3 Litre Eng. with E.F.I.		92017790	1
	DISTRIBUTOR ASM.	(Bosch) K	8 Cyl. Eng.		92023157	1
2.361 SMALL PARTS KIT - Distributor						
	SMALL PARTS KIT	(Bosch) B, C, H			VS14633	1
	SMALL PARTS KIT	(Bosch) K	4 Cyl. Eng.		VS14633	1
	SMALL PARTS KIT	(Bosch) K	6 Cyl. Eng. exc. E.F.I.		VS16426	1
	SMALL PARTS KIT	(Bosch) K	3.3 Litre Eng. with E.F.I.		VS14633	1
	SMALL PARTS KIT	(Bosch) K	8 Cyl. Eng.		VS14633	1
NOTE:- SMALL PARTS KIT Contains:-						
1 X CIRCLIP - Cam retaining. Refer 2.381						
2 X CLIP - Cap to housing. Refer 2.368						
1 X COVER - Housing lower. N.S.S.						
1 X PIN - Spring. N.S.S.						
4 X SCREW. N.S.S.						
4 X SCREW & WASHER. N.S.S.						
2 X WASHER - Fibre. Refer 2.372						
14 X WASHER - Shim. Refer 2.372						
2.363 BUSH, FELT, GASKET - Distributor						
	BUSH KIT	(Bosch) C, H, K	(M) 4 Cyl. Eng.		VS14825	1
	BUSH KIT	(Bosch) C, H, K	(A) 4 Cyl. Eng. (VS14850)	7)	VS14825	1
	BUSH KIT	(Bosch) C, H, K	(A) 4 Cyl. Eng.	8)	VS14825	1
NOTE:- BUSH KIT Contains:-						
1 X BUSH - Upper. N.S.S.						
1 X BUSH - Lower. N.S.S.						
	BUSH	(Bosch) B	6 Cyl. Eng.		VS10841	2
	FELT - Lubrication	(Bosch) B	6 Cyl. Eng. (VS10843)			1
	BUSH KIT	(Bosch) C, H, K	6 Cyl. Eng.		VS14624	1
NOTE:- BUSH KIT Contains:-						
1 X BUSH - Upper. N.S.S.						
1 X BUSH - Lower. N.S.S.						
	BUSH - Housing - Upper	(Bosch) B	8 Cyl. Eng. (VS13604)			1
	BUSH - Housing - Lower	(Bosch) B	8 Cyl. Eng. (VS10842)			2
	BUSH KIT	(Bosch) C, H, K	8 Cyl. Eng.		VS14635	1
NOTE:- BUSH KIT Contains:-						
1 X BUSH - Upper. N.S.S.						
1 X BUSH - Lower. N.S.S.						
7. With evaporative & exhaust emission control						
8. With evaporative emission control without exhaust emission control - Export						
20. Safety compliance plate not stamped V7Y						
21. Safety compliance plate stamped V7Y - N.S.W. Emissions						
34. Pulsair exc. exhaust emission control - Export						



"V" SERIES PARTS CATALOGUE

GROUP	DESCRIPTION	SERIES	MODEL/OPTION	SIDE	PART No.	QTY.
2.483 BODY, TERMINAL - Lighting harness (contd.)						
	TERMINAL - Female - 3 blade	H, K	Exc. Police Equipment.....		SP3188	2
#	TERMINAL - Ring type.....	H, K	Police Equipment.....		SP3008	1
	TERMINAL - Female - Pin type.....	H, K	Police Equipment.....		SP3151	10
2.483 PANEL, COVER, TERMINAL, FUSE - Fuse panel						
	PANEL - Fuses 1-8	B, C, H		90044020	1
	PANEL - Fuses 9-14.....	B, C, H		90044021	1
	COVER.....	B (9947505)		92008166	1
	COVER.....	C, H, K		92008166	1
	TERMINAL - Fuse holder, 1 x 12 gauge lead	B, C		SP2835	AR
	TERMINAL - Fuse holder, 2 x 12 gauge lead	B, C		SP2836	AR
	TERMINAL - Fuse holder, 1 x 16-18 gauge lead	B, C (SP2837)		SP2835	AR
	TERMINAL - Fuse panel, 3 male blades.....	B, C, H		SP2950	AR
	FUSE - 5 amp - Yellow.....	B, C, H (08932261)		8932261	AR
	FUSE - 8 amp - White.....	B, C, H		11011297	AR
	FUSE - 16 amp - Red.....	B, C, H		11077751	AR
	FUSE - 25 amp - Grey.....	B, C, H		11031549	AR
2.483 FUSE BOX - Vehicle wiring						
	FUSE BOX ASM. - With lower harness entry.....	K	S/S Asms. 92019512, 92019516, 92015730, 92019514, 92015729, 92020713 (M39452)			1
	FUSE BOX ASM. - With lower harness entry.....	K	8VK 4, 6 Cyl. Eng. exc. E.F.I., Electric Door Locks, Power Windows, Air Cond. Use M39452 (92019512)			1
#	FUSE BOX ASM. - Use with fuse panel harness connected to bottom of fuse box	K	8VK 4, 6 Cyl. Eng. Station Wagon with Air Cond. exc. E.F.I. (92015729)			1
	FUSE BOX ASM. - Use with fuse panel harness connected to upper side of fuse box	K	8VK 4, 6 Cyl. Eng. Station Wagon with Air Cond. exc. E.F.I.		92025520	1
	FUSE BOX ASM. - Use with fuse panel harness connected to bottom of fuse box	K	8VK 6 Cyl. Eng. Station Wagon with E.F.I., Air Cond. Use M39452 (92019516)			1
	FUSE BOX ASM. - Use with fuse panel harness connected to upper side of fuse box	K	8VK 6 Cyl. Eng. Station Wagon with E.F.I., Air Cond.		92025524	1
	FUSE BOX ASM. - Use with fuse panel harness connected to bottom of fuse box	K	8VK 8 Cyl. Eng. Station Wagon with Air Cond. Use M39452 (92019516)			1
	FUSE BOX ASM. - Use with fuse panel harness connected to upper side of fuse box	K	8VK 8 Cyl. Eng. Station Wagon with Air Cond.....		92025524	1
	FUSE BOX ASM. - Use with fuse panel harness connected to bottom of fuse box	K	8VK 4, 6 Cyl. Eng. Sedan with Electric Door Locks exc. Air Cond., Power Windows, E.F.I.....		92020713	1
	FUSE BOX ASM. - Use with fuse panel harness connected to upper side of fuse box	K	8VK 4, 6 Cyl. Eng. Sedan with Electric Door Locks exc. Air Cond., Power Windows, E.F.I.....		92025522	1



"V" SERIES PARTS CATALOGUE

GROUP	DESCRIPTION	SERIES	MODEL/OPTION	SIDE	PART No.	QTY.
2.697 LEAD, TERMINAL, BODY, HARNESS - Back up lamp						
	LEAD ASM.....	B, C	(M) exc. Torquemaster Trans. (92004665)			1
	LEAD ASM.....	H	(M) exc. Torquemaster Trans.....		92015223	1
	LEAD ASM.....	B, C	(M) Torquemaster Trans. (92004666)			1
	LEAD ASM.....	H	(M) Torquemaster Trans.....		92015224	1
	LEAD ASM.....	H	(M) 5 Speed Trans.....		92015223	1
#	TERMINAL - Single female.....	B, C		SP2785	2
	TERMINAL - Female.....	H		SP3188	2
	BODY - Single male connector.....	H		SP3190	2
#	BODY - Single female connector.....	H		SP2791	2
	BODY - Two way female connector.....	H (SP3184)			2
	HARNESS ASM. - Transmission.....	K	(M) 4 Cyl. Eng.....	7)	92020999	1
	HARNESS ASM. - Transmission.....	K	(M) 4 Cyl. Eng..... (92017637)	8)		1
	HARNESS ASM. - Transmission.....	K	(M) 6 Cyl. Eng. Torque master, 5 Speed Trans..... (92017637)			1
	HARNESS ASM. - Transmission.....	K	(M) 8 Cyl. Eng.....		92020999	1
2.697 BULB - Back up lamp						
#	BULB - Back up.....	B, C, H, K (9417866)		11062779	2
2.698 SWITCH - Back up lamp						
	SWITCH ASM.....	B, C, H, K	(M) exc. Torquemaster Trans., 5 Speed Trans.....		92002153	1
	SWITCH ASM.....	B, C, H, K	(M) Torquemaster Trans. (90047196) (8968032)		90069100	1
	WASHER - Switch mounting.....	B, C, H, K	(M) Torquemaster Trans.....		11023589	2
	SWITCH ASM. - BLUE.....	H	(M) 5 Speed Trans..... (VS14971)			1
	SWITCH ASM. - RED.....	H, K	(M) 5 Speed Trans.....		VS15763	1
2.698 ALARM - Back up warning						
	ALARM KIT.....	B, C, H, K (M39064)			1
	SWITCH - Dash.....	B, C, H, K		VS16309	1
2.700 LAMP - Rear licence plate illumination						
	LAMP ASM.....	B, C, H (09289676)		9289675	1
	LAMP ASM.....	K	Station Wagon.....		92017063	2
2.700 BULB - Rear licence plate lamp						
	BULB.....	B, C, H	<i>4191210</i> (11047259) (94022328)		9826913030	1
	BULB - 12V, 3W.....	K	Station Wagon.....		SP1903	2
	BULB.....	K	Sedan.....		SP1467	1
2.714 SOCKET & LEAD - Rear licence plate						
	SOCKET & LEAD ASM.....	K	Sedan..... (92019171)		92024530	1
	SCREW - Socket to bumper bar facia.....	K	Sedan.....		SP2111	1
2.714 BULB - Rear licence plate lamp						
	NOTE:- Refer Group 2.700					

7. With evaporative & exhaust emission control
 8. With evaporative emission control without exhaust emission control - Export

"V" SERIES PARTS CATALOGUE



GROUP	DESCRIPTION	SERIES	MODEL/OPTION	SIDE	PART No.	QTY.
3.023 REINFORCEMENT, SPACER, SCREW, WASHER, NUT - Fuel tank mounting (contd.)						
	SCREW - Fuel tank strap to frame.....	B, C, H, K	Sedan.....		11073351	3
	WASHER - Fuel tank strap to bracket.....	B, C, H, K	(11057931)		11010024	1-2
	NUT - Fuel tank strap to bracket.....	B, C, H, K	(11013127)		11013129	1
	NUT - Weld - Reinforcement plate.....	B, C, H, K			SP2688	1-2
3.028 CAP - Fuel tank filler						
	CAP ASM.....	B, C, H	Exc. Locking Cap.....		9200355	1
	CAP ASM.....	K	Exc. Locking Cap.....		92022697	1
	CAP ASM. - Locking.....	B, C, H, K			9936087	1
3.028 CYLINDER - Fuel filler cap						
	# CYLINDER - Lock - Coded.....	B, C, H, K	(92004655)			1
3.107 SENDER ASM. - Fuel tank level						
	SENDER ASM.....	C	4 Cyl. Eng. Station Wagon (90051748)		92023695	1
	SENDER ASM.....	B, C	6 Cyl. Eng. Station Wagon (90051748)		92023695	1
	SENDER ASM.....	B	(M) 8 Cyl. Eng. Station Wagon (90051748)		92023695	1
	SENDER ASM.....	B	(A) 4.2 Litre Eng. Station Wagon (90051748)		92023695	1
	SENDER ASM.....	B	(A) 5.0 Litre Eng. Station Wagon exc. Air Cond. (90051748)		92023695	1
	SENDER ASM.....	B	(A) 5.0 Litre Eng. Station Wagon with Air Cond.....		90051750	1
	SENDER ASM. - With vapour return pipe.....	C	4.2 Litre Eng. Station Wagon.....		92023695	1
	SENDER ASM. - With vapour return pipe.....	C	4.2 Litre Eng. Station Wagon.....		90051750	1
	SENDER ASM.....	C	4 Cyl. Eng. Sedan (90051745)		92011749	1
	SENDER ASM.....	B, C	6 Cyl. Eng. Sedan (90051745)		92011749	1
	SENDER ASM. - With vapour return pipe.....	B, C	(M) 8 Cyl. Eng. Sedan (90051745)		92011749	1
	SENDER ASM.....	B	(A) 4.2 Litre Eng. Sedan (90051745)		92011749	1
	SENDER ASM. - With vapour return pipe.....	B, C	(A) 5.0 Litre Eng. Sedan exc. Air Cond. (90051745)		92011749	1
	SENDER ASM. - With vapour return pipe.....	B, C	(A) 5.0 Litre Eng. Sedan with Air Cond.....		90051747	1
	SENDER ASM. - With vapour return pipe.....	C	4.2 Litre Eng. Sedan.....		90051747	1
	SENDER ASM.....	H	4, 6 Cyl. Eng. Station Wagon exc. Low Fuel Switch, Trip Computer (90051748)		92023695	1
	SENDER ASM.....	H	4, 6 Cyl. Eng. Station Wagon with Low Fuel Switch exc. Trip Computer.....		92016977	1
	SENDER ASM.....	H	6 Cyl. Eng. Station Wagon with Low Fuel Switch, Trip Computer (92023756) (90051749)			1
	SENDER ASM.....	H	8 Cyl. Eng. Station Wagon exc. Low Fuel Switch.....		90051750	1
	SENDER ASM.....	H	8 Cyl. Eng. Station Wagon with Low Fuel Switch, Trip Computer (92023756) (90051749)			1
	SENDER ASM.....	H	4, 6 Cyl. Eng. 8VK, 8VL Sedan exc. Low Fuel Switch (90051745)		92011749	1
	SENDER ASM.....	H	6 Cyl. Eng. 8VX Sedan with Low Fuel Switch exc. Trip Computer.....		92011749	1
	SENDER ASM.....	H	6 Cyl. Eng. Sedan with Low Fuel Switch, Trip Computer.....		90051746	1
	SENDER ASM.....	H	8 Cyl. Eng. 8VK, 8VL Sedan exc. Low Fuel Switch, Trip Computer.....		90051747	1

"V" SERIES PARTS CATALOGUE



GROUP	DESCRIPTION	SERIES	MODEL/OPTION	SIDE	PART No.	QTY.
3.265 PLUG - Inlet manifold vacuum						
	PLUG - Manifold vacuum closing.....	C, H, K	(M) 4 Cyl. Eng.		444819	1
3.270 GASKET, SEAL, RETAINER - Manifold						
	GASKET - Inlet & exhaust manifold to cylinder head.....	B	6 Cyl. Eng.		7429521	1
	GASKET - Inlet manifold to exhaust manifold.....	B	6 Cyl. Eng.		9935769	1
	GASKET - Inlet.....	B	8 Cyl. Eng.	LH	92013381	1
				RH	92013380	1
# SEAL - Inlet manifold - Front.....		B	8 Cyl. Eng. (92015816)		92060097	1
# SEAL - Inlet manifold - Rear.....		B	8 Cyl. Eng. (92015817) (7434980)		92060098	1
	GASKET KIT - Inlet manifold.....	B	8 Cyl. Eng.		92013379	1
	GASKET - Inlet & exhaust manifold to cylinder head.....	C, H, K	4 Cyl. Eng.		9940097	1
	GASKET - Inlet manifold to exhaust manifold.....	C, H, K	4 Cyl. Eng.		9943496	1
	GASKET - Inlet & exhaust manifold to cylinder head.....	C, H	6 Cyl. Eng.		9939529	1
	GASKET - Inlet manifold to exhaust manifold.....	C, H	6 Cyl. Eng.		9947754	3
	GASKET - Inlet & exhaust manifold to cylinder head.....	K	6 Cyl. Eng. exc. E.F.I.		9939529	1
	GASKET - Inlet manifold to exhaust manifold.....	K	6 Cyl. Eng. exc. E.F.I.		9947754	3
	GASKET - Inlet manifold & extractor asm. to cylinder head.....	K	6 Cyl. Eng. with E.F.I.....		9939529	1
	GASKET - Inlet manifold.....	C	8 Cyl. Eng. Use 92016102 (9947311)	LH 41)		1
			Use 92016103 (9947310)	RH 41)		1
# SEAL - Inlet manifold - Front.....		C	8 Cyl. Eng. (92015816) (7434979)	41)	92060097	1
# SEAL - Inlet manifold - Rear.....		C	8 Cyl. Eng. (92015817) (7434980)	41)	92060098	1
	GASKET KIT - Inlet manifold.....	C	8 Cyl. Eng. Use 92016481 (92002015)	41)		1
	GASKET - Inlet manifold.....	C	8 Cyl. Eng.	LH 42)	92016102	1
				RH 42)	92016103	1
# SEAL - Inlet manifold - Front.....		C	8 Cyl. Eng. (92015816)	42)	92060097	1
# SEAL - Inlet manifold - Rear.....		C	8 Cyl. Eng. (92015817)	42)	92060098	1
	GASKET KIT - Inlet manifold.....	C	8 Cyl. Eng.	42)	92016481	1
	GASKET KIT - Inlet manifold.....	H, K	8 Cyl. Eng.		92016481	1
	GASKET - Inlet manifold.....	H, K	8 Cyl. Eng.	LH	92016102	1
				RH	92016103	1
# SEAL - Inlet manifold - Front.....		H, K	8 Cyl. Eng. (92015816)		92060097	1
# SEAL - Inlet manifold - Rear.....		H, K	8 Cyl. Eng. (92015817)		92060098	1
	RETAINER - Inlet manifold gasket.....	B, C, H, K	8 Cyl. Eng.		7435071	4
NOTE:- GASKET KIT Contains:-						
1 X GASKET - Distributor. Refer 2.362						
1 X GASKET - E.G.R. plate. Refer 3.670						
1 X GASKET - Inlet manifold - LH. Refer 3.270						
1 X GASKET - Inlet manifold - RH. Refer 3.270						
1 X GASKET - Thermostat housing outlet cover. Refer 1.154						
1 X GASKET - Tube - Automatic choke heat. Refer 3.603						
1 X SEAL - Inlet manifold - Front. Refer 3.270						
1 X SEAL - Inlet manifold - Rear. Refer 3.270						
8. With evaporative emission control without exhaust emission control - Export						
41. Use on Engines up to No 260547						
42. Use on Engines No 260548 and above						



"V" SERIES PARTS CATALOGUE

GROUP	DESCRIPTION	SERIES	MODEL/OPTION	SIDE	PART No.	QTY.
3.440 BRACKET, WASHER, NUT, BOLT - Idle boost solenoid - Production air conditioner						
	BRACKET ASM. - Solenoid & accelerator cable retainer.....	C, H, K	4 Cyl. Eng. .. (92006947) (92015782)		92018615	1
	WASHER - Solenoid to bracket.....	C, H, K	4 Cyl. Eng. exc. P/Strg.....		7042653	1
	NUT - Solenoid to bracket.....	C, H, K	4 Cyl. Eng. exc. P/Strg.....		7042654	1
	BRACKET - Solenoid mounting.....	C, H	6 Cyl. Eng.		92009249	1
	SCREW ASM. - Bracket to manifold - Hex Hd. 5/16"-18x.625".....	C, H	6 Cyl. Eng.		SP2089	1
	WASHER - Solenoid to bracket.....	C, H	6 Cyl. Eng.		7042653	1
	NUT - Solenoid to bracket.....	C, H	6 Cyl. Eng.		7042654	1
	BRACKET - Solenoid mounting.....	K	2.85 Litre Eng.		92009249	1
	SCREW ASM. - Bracket to manifold - Hex Hd. 5/16"-18x.625".....	K	2.85 Litre Eng.		SP2089	1
	WASHER - Solenoid to bracket.....	K	2.85 Litre Eng.		7042653	1
	NUT - Solenoid to bracket.....	K	2.85 Litre Eng.		7042654	1
3.440 SOLENOID, LEAD - Engine idle boost - Accessory air conditioner						
	SOLENOID.....	C	(A) 4 Cyl. Eng.		7030735	1
	LEAD ASM. - Solenoid extension.....	C	(A) 4 Cyl. Eng.		92010927	1
	WASHER - Solenoid to bracket.....	C	(A) 4 Cyl. Eng.		7042653	1
	NUT - Solenoid to bracket.....	C	(A) 4 Cyl. Eng.		7042654	1
3.440 SWITCH, BRACKET, RETAINER, SPACER, CLIP, SPRING - Accelerator control						
	SWITCH ASM.....	K	3.3 Litre Eng. exc. E.F.I.....		92021585	1
	SCREW - Switch to bracket.....	K	3.3 Litre Eng. exc. E.F.I.....		SP3437	2
	BRACKET ASM. - Switch to carburettor.....	K	3.3 Litre Eng. exc. E.F.I.....		92022768	1
	RETAINER - Switch to bracket.....	K	3.3 Litre Eng. exc. E.F.I.....		92021501	1
	SPACER - Switch to bracket.....	K	3.3 Litre Eng. exc. E.F.I. (11013092)			1
	CLIP - Switch actuating.....	K	3.3 Litre Eng. exc. E.F.I.....		92022769	1
	SPRING - Pump lever return - External.....	K	3.3 Litre Eng. exc. E.F.I.....		92024051	1
	SCREW - Cable retaining bracket to manifold - Hex Hd. 5/16"-18x.625".....	K	3.3 Litre Eng. exc. E.F.I.....		SP2089	2
3.451 PEDAL - Accelerator						
	PEDAL ASM.....	B, C, H, K			2815916	1
3.452 SUPPORT, CAP, BUFFER, BUSH, SPRING, CIRCLIP, PIN - Accelerator pedal						
	SUPPORT - Lever & pivot asm.....	B, C, H, K			92000329	1
	CAP - Accelerator pedal lever support.....	B, C, H, K			92000330	1
	BUFFER - Accelerator stop adjust.....	B, C, H, K	(09292075)		9292075	1
	SCREW - Accelerator stop adjust.....	B, C, H, K			11057551	1
	BUSH - Accelerator lever pivot.....	B, C, H, K			90067274	2
	SPRING - Accelerator stop adjust.....	B, C, H, K			90076107	1
	CIRCLIP - Lever & pivot to support.....	B, C, H, K			11066361	2
	PIN - Pedal to lever.....	B, C, H, K			2814047	1
	SPRING - Pedal tension.....	B, C, H, K			3909982	1
3.454 LEVER & BRACKET - Relay, Accelerator control						
	LEVER & BRACKET.....	C, H, K	4 Cyl. Eng. exc. Air Cond., Power Steering.....		92010514	1
	LEVER & BRACKET.....	C	4 Cyl. Eng. Production Air Cond. exc. Power Steering.....			
			(92010689) (92015099)		92017780	1
	LEVER & BRACKET.....	C	(A) 4 Cyl. Eng. Accessory Air Cond.			
			(92015099)		92017780	1
	LEVER & BRACKET.....	H	4 Cyl. Eng. Air Cond. exc. Power Steering.....			
			(92015099)		92017780	1
	LEVER & BRACKET.....	C, H, K	4 Cyl. Eng. with P/Strg.....		92015296	1
	LEVER & BRACKET.....	C	6 Cyl. Eng. exc. Air Cond., Production Cruise Control.....	20)	92006063	1

20. Safety compliance plate not stamped V7Y

"V" SERIES PARTS CATALOGUE



GROUP	DESCRIPTION	SERIES	MODEL/OPTION	SIDE	PART No.	QTY.
3.701 MUFFLER, MUFFLER & PIPE - Intermediate exhaust (contd.)						
	MUFFLER	B	(A) 5.0 Litre Eng. Dual Exhaust with Turbo Hydra-Matic 400 Trans.	LH	M38137	1
				RH	M38135	1
	MUFFLER & PIPE ASM.	C	8 Cyl. Eng. Dual Exhaust .. (M38289)	LH 16)		1
		 (M38288)	RH 16)		1
	MUFFLER & PIPE ASM.	C	8 Cyl. Eng. Dual Exhaust.....	LH 17)	92015927	1
			RH 17)	92015926	1
	MUFFLER & PIPE ASM. - With 'Y' Shaped intermediate pipe	H, K	8 Cyl. Eng. Single Exhaust with Engine Performance Equipment.....		92020745	1
	MUFFLER & PIPE ASM. - Without 'Y' Shaped intermediate pipe.....	K	8 Cyl. Eng. Sedan Single Exhaust		92019602	1
	MUFFLER & PIPE ASM.	H, K	8 Cyl. Eng. Dual Exhaust.....	LH	92015927	1
			RH	92015926	1
3.701 MUFFLER & TAIL PIPE - Rear exhaust						
	MUFFLER & TAIL PIPE ASM.....	C, H, K	4 Cyl. Eng. Station Wagon			
		 (92008510)		92019042	1
	MUFFLER & TAIL PIPE ASM.....	C, H, K	4 Cyl. Eng. Sedan		92019043	1
	MUFFLER & TAIL PIPE ASM. (Stevens)	B, C	6 Cyl. Eng. Station Wagon			
		 (9945998)	32)	92008073	1
	MUFFLER & TAIL PIPE ASM. (Hills)	C	6 Cyl. Eng. Station Wagon	33)	92016045	1
	MUFFLER & TAIL PIPE ASM.....	H	6 Cyl. Eng. Station Wagon		92016045	1
	MUFFLER & TAIL PIPE ASM.....	K	6 Cyl. Eng. Station Wagon exc. E.F.I.		92016045	1
	MUFFLER & PIPE ASM.	K	3.3 Litre Eng. Station Wagon with E.F.I.		92024260	1
	MUFFLER & TAIL PIPE ASM.....	B, C, H	6 Cyl. Eng. Sedan.....		92008072	1
	MUFFLER & TAIL PIPE ASM.....	K	(M) 6 Cyl. Eng. Sedan exc. Police Equipment, E.F.I.		92008072	1
	MUFFLER & TAIL PIPE ASM.....	K	(M) 6 Cyl. Eng. Sedan with Police Equipment exc. E.F.I.....		92019079	1
	MUFFLER & TAIL PIPE ASM.....	K	(A) 6 Cyl. Eng. Sedan exc. E.F.I.		92008072	1
	MUFFLER & TAIL PIPE ASM.....	K	(A) 6 Cyl. Eng. Sedan with E.F.I.		92019079	1
	MUFFLER & TAIL PIPE ASM.....	B, C, H	8 Cyl. Eng. Station Wagon with Single Exhaust.....		92008073	1
	MUFFLER & TAIL PIPE ASM.....	K	8 Cyl. Eng. Station Wagon Single Exhaust		92021928	1
	MUFFLER & TAIL PIPE ASM.....	B, C	8 Cyl. Eng. Station Wagon with Dual Exhaust	16)	92011439	1
	MUFFLER & TAIL PIPE ASM.....	C, H, K	8 Cyl. Eng. Station Wagon with Dual Exhaust	17)	92015929	1
	MUFFLER & TAIL PIPE ASM.....	B, C, H	8 Cyl. Eng. Sedan Single Exhaust exc. Engine Performance Equipment.....		92008072	1
	MUFFLER & TAIL PIPE ASM.....	B, C	8 Cyl. Eng. Sedan Dual Exhaust.....	16)	92008081	1
	MUFFLER & TAIL PIPE ASM.....	C	8 Cyl. Eng. Sedan Dual Exhaust.....	17)	92015928	1
	MUFFLER & TAIL PIPE ASM. - Use on exhaust system with 'Y' Shaped intermediate pipe	H, K	8 Cyl. Eng. Single Exhaust with Engine Performance Equipment.....		92020711	1
#	MUFFLER & TAIL PIPE ASM. - Suit Exhaust system without 'Y' Shaped intermediate pipe	K	8 Cyl. Eng. Sedan Single Exhaust		92019079	1
		 (92023296)		92015928	1
	MUFFLER & TAIL PIPE ASM.....	H, K	8 Cyl. Eng. Sedan Dual Exhaust.....		92015928	1

16. Without ADR 28A

17. With ADR 28A

32. Stevens type exhaust system has rear muffler with centre outlet

33. Hills type exhaust system has rear muffler with bottom outlet

"V" SERIES PARTS CATALOGUE



GROUP	DESCRIPTION	SERIES	MODEL/OPTION	SIDE	PART No.	QTY.
3.752 BUSH, CLIP - Choke link (contd.)						
	CLIP - Choke link - Cam end.....	C, H, K	4 Cyl. Eng. (VS14517)		VS14518	1
	BUSH - Choke link - Choke end.....	C, H, K	6 Cyl. Eng.		<VS14516	1
	CLIP - Choke link - Choke end.....	C, H, K	6 Cyl. Eng.		VS14518	1
	BUSH - Choke link - Cam end.....	C, H, K	6 Cyl. Eng.		VS14515	1
	CLIP - Choke link - Cam end.....	C, H, K	6 Cyl. Eng. (VS14517)		VS14518	1
3.752 LEVER & SHAFT, LEVER, SEAL - Carburettor choke thermostat						
	LEVER & SHAFT ASM. - Thermostat.....	B	4.2 Litre Eng. (VS10440)			1
	LEVER - Thermostat.....	B	4.2 Litre Eng. (VS10439)			1
	NUT - Lever attaching.....	B	4.2 Litre Eng.		7420254	1
	WASHER - Thermostat lever.....	B	4.2 Litre Eng. (VS10812)			1
	SHAFT & LEVER ASM. - Choke intermediate.....	B	(A) 5.0 Litre Eng.....		7038282	1
	SEAL - Shaft.....	B	(A) 5.0 Litre Eng.....		7037569	2
	LEVER - Thermostat.....	B	(A) 5.0 Litre Eng.....		7038285	1
	SCREW - Thermostat lever.....	B	(A) 5.0 Litre Eng.....		7019709	1
	LEVER - Intermediate.....	B	(A) 5.0 Litre Eng.....		7031231	1
	SCREW - Choke lever.....	B	(A) 5.0 Litre Eng.....		7029866	1
	SHAFT & LEVER ASM. - Choke intermediate.....	C, H, K	8 Cyl. Eng.		17063458	1
	SEAL - Shaft.....	C, H, K	8 Cyl. Eng.		7037569	2
	LEVER - Thermostat.....	C, H, K	8 Cyl. Eng.		7043368	1
	SCREW - Thermostat lever.....	C, H, K	8 Cyl. Eng.		7019709	1
	LEVER - Intermediate.....	C, H, K	8 Cyl. Eng.		7031231	1
3.754 JET - Main metering & discharge						
NOTE:- Refer Group 3.792						
3.754 RETAINER - Discharge pump						
NOTE:- Refer Group 3.825						
3.755 PLUG - Main metering jet						
NOTE:- Refer Group 3.792						
3.755 DIAPHRAGM, HOUSING - Carburettor choke control vacuum						
	DIAPHRAGM ASM. - Choke kick.....	B	4.2 Litre Eng.		VS10893	1
	SCREW - Diaphragm attaching.....	B	4.2 Litre Eng. (VS10917)			2
	DIAPHRAGM & BRACKET ASM. - Choke kick.....	B	(A) 5.0 Litre Eng.....		7047493	1
	DIAPHRAGM ASM. - Choke kick.....	B	(A) 5.0 Litre Eng.....		7040100	1
	SCREW - Diaphragm attaching.....	B	(A) 5.0 Litre Eng. Turbo Hydra-Matic 400 Trans.		7031925	1
	SCREW - Diaphragm attaching.....	B	(A) 5.0 Litre Eng. Turbo Hydra-Matic 350 Trans.		7038581	1
	HOUSING ASM. - Vacuum break.....	C	4 Cyl. Eng.	7)	96008221	1
	HOUSING ASM. - Vacuum break.....	C, H, K	4 Cyl. Eng.	8)	96008221	1
	HOUSING ASM. - Vacuum break.....	H, K	4 Cyl. Eng.	7)	96002253	1
	HOUSING ASM. - Vacuum break.....	C	6 Cyl. Eng.		96008221	1
	HOUSING ASM. - Vacuum break.....	H, K	2.85 Litre Eng.		96002253	1
	HOUSING ASM. - Vacuum break.....	H	3.3 Litre Eng.		96008221	1
	HOUSING ASM. - Vacuum break.....	K	3.3 Litre Eng. exc. E.F.I.		96002311	1
	DIAPHRAGM & BRACKET ASM. - Choke kick.....	C, H, K	8 Cyl. Eng.		7044433	1
	SCREW - Diaphragm attaching.....	C, H, K	8 Cyl. Eng. (17050732)		17073294	2
	DIAPHRAGM ASM. - Auxiliary.....	C, H, K	8 Cyl. Eng.		7044435	1

7. With evaporative & exhaust emission control
 8. With evaporative emission control without exhaust emission control - Export

"V" SERIES PARTS CATALOGUE



GROUP	DESCRIPTION	SERIES	MODEL/OPTION	SIDE	PART No.	QTY.
3.883 SWITCH, VALVE - Cruise control actuating - Production						
	SWITCH ASM. - Actuating - 11E, 11T, 11V, 11X, 11Y - Dark Grey	C		92009153FY	1
	SWITCH ASM. - Actuating - 23E, 23T, 23V, 23X, 23Y - Dark Blue.....	C	Use 92009153BA..... (92009153GS)			1
	SWITCH ASM. - Actuating - 33V, 33X, 33Y - Dark Green	C		92009153FZ	1
	SWITCH ASM. - Actuating - 63V, 63X, 63Y - Dark Buckskin.....	C		92009153GA	1
	# SWITCH ASM. - Actuating - 77V, 77X, 77Y - Dark Carmine.....	C	Use 92009153BA..... (92009153GB)			1
	SWITCH ASM. - Actuating - 24V, 27V, 29V, 23X, 27X, 27Y, 29Y - Deep Blue.....	H	Use 92009153BA..... (92009153HC)			1
	SWITCH ASM. - Actuating - 34V, 39V, 37X, 39Y - Deep Green.....	H		92009153HD	1
	SWITCH ASM. - Actuating - 64V, 65V, 65X, 65Y - Dark Brown.....	H	Use 92009153BA..... (92009153HE)			1
	SWITCH ASM. - Actuating - 79T, 74V, 79V, 77X, 79Y - Dark Claret.....	H	Use 92009153BA..... (92009153HF)			1
	SWITCH ASM. - Actuating - 63V, 63X, 63Y - Oyster	H		92009153HR	1
	SWITCH ASM. - Actuating - 15P, 15V, 15X, 15Y - Dark Grey.....	K		92009153LV	1
	SWITCH ASM. - Actuating - 23Y, 24X, 25X - Cerulean	K (92009153HV)			1
	SWITCH ASM. - Actuating - 43Y, 44X, 45X - Avocado.....	K		92009153HX	1
	SWITCH ASM. - Actuating - 63V, 63Y, 64X, 65X - Oyster	K		92009153HR	1
	SWITCH ASM. - Actuating - 73Y, 74V, 74X, 75X - Copper.....	K	Use 92009153BA..... (92009153KB)			1
	SWITCH ASM. - Actuating - Black	C, H, K		92009153BA	1
	SCREW - Switch asm. to column.....	C, H, K (SP1961)			1
	SWITCH ASM. - Stop light & cruise control.	K (9794682)		25524847	1
	CLIP - Switch	K		1361699	1
	VALVE - Vacuum release.....	C, H, K		407437	1
	CLIP - Vacuum release valve to stop switch	C, H, K (1251366)		1612303	1
3.883 CONTROL ARM - Cruise Control - Accessory						
	CONTROL ARM	B, C, H (VS16045)		VS16246	1
3.885 TRANSDUCER - Cruise control - Production						
	TRANSDUCER ASM.	C, H, K		25030350	1
3.885 BRACKET, BOLT, WASHER, NUT - Cruise control transducer - Production						
	BRACKET - Transducer mounting	C, H, K		92009214	1
	SCREW - Transducer to bracket	C, H, K		9413531	2
	WASHER - Transducer to bracket - Lock	C, H, K		SP2325	2
	BOLT & WASHER - Transducer to bracket..	C, H, K (11050702)			2
	BOLT - Bracket to fender skirt.....	C, H, K		11027773	2
	WASHER - Bracket to fender skirt	C, H, K		11011423	2
	WASHER - Bracket to fender skirt - Flat	C, H, K		11035613	2
	NUT - Transducer to bracket.....	C, H, K		11065573	2
3.885 POWER UNIT - Cruise control - Production						
	POWER UNIT.....	C, H, K		25030595	1



GROUP	DESCRIPTION	SERIES	MODEL/OPTION	SIDE	PART No.	QTY.
TRANSMISSION FOUR SPEED MANUAL CONTROL PRODUCTION OPTION M20, M21						
4.303F	YOKE - Transmission reverse shifter					
	YOKE.....	B, C, H, K			2809727	1
4.307F	SLEEVE - Transmission shifter					
	SLEEVE - Reverse shift shaft.....	B, C, H, K	(2813520)			1
4.307F	PIN - Transmission shifter					
	PIN - Reverse shaft to reverse lever.....	B, C, H, K			455481	1
4.309F	SHAFT, SEAL - Transmission shifter					
	SHAFT ASM. - 1st & 2nd.....	B, C, H, K			7433869	1
	SEAL - 1st & 2nd shift shaft - 'O' Ring 5/16" x 3/32".....	B, C, H, K			7430136	1
	SHAFT ASM. - 3rd & 4th.....	B, C, H, K			9938392	1
	SEAL - 3rd & 4th shift shaft.....	B, C, H, K			3831716	1
	SHAFT - Reverse shift - Internal.....	B, C, H, K			2813514	1
	SEAL - Reverse shift shaft - 'O' Ring 3/8" x 3/32".....	B, C, H, K			2809290	1
4.311F	CAM, PIN, SPRING, BALL - Transmission detent					
	CAM - 1st & 2nd speed.....	B, C, H, K			2813501	1
	CAM - 3rd & 4th speed.....	B, C, H, K			2813511	1
	PIN - Detent cam.....	B, C, H, K			SP2094	1
	SPRING - Detent cam.....	B, C, H, K			7433927	1
	BALL - Reverse shift lever detent - 3/8" dia.....	B, C, H, K			147489	1
	SPRING - Reverse lever detent ball.....	B, C, H, K			2813527	1
	WASHER - Reverse detent.....	B, C, H, K			2813521	2
	# BOLT - Reverse detent.....	B, C, H, K	(123540)			1
4.317F	HOUSING, ADAPTOR, BUSH - Transmission extension					
	HOUSING ASM.....	B, C, H, K			2813504	1
	ADAPTOR - Transmission rear bearing.....	B, C, H, K			2813513	1
	BUSH - Housing.....	B, C, H, K			3717682	1
4.318F	SEAL - Transmission extension					
	SEAL - Housing.....	B, C, H, K			3932255	1
4.318F	GASKET - Transmission extension housing					
	GASKET.....	B, C, H, K			2813507	1
4.319F	BOLT, WASHER - Transmission extension housing to case					
	BOLT & WASHER - 3/8"-16 x 1 1/8".....	B, C, H, K	(SP2599)			4
	BOLT & WASHER - 3/8"-16 x 1 1/4".....	B, C, H, K			186679	1
	WASHER - Housing to case.....	B, C, H, K	(7400256)			1



GROUP	DESCRIPTION	SERIES	MODEL/OPTION	SIDE	PART No.	QTY.
TRANSMISSION FOUR SPEED MANUAL CONTROL						
TORQUEMASTER - PRODUCTION OPTION MC6						
4.376H RING - Transmission clutch gear bearing retaining						
	RING.....	B	6 Cyl. Eng.		06634858	1
	RING - .083"-.085" thick.....	B	6 Cyl. Eng.	1)	9299534	1
	RING - .086"-.088" thick.....	B	6 Cyl. Eng.	1)	9299535	1
	RING - .089"-.091" thick.....	B	6 Cyl. Eng.	1)	9299536	1
	RING - .092"-.094" thick.....	B	6 Cyl. Eng.	1)	9299537	1
	RING - .095"-.097" thick.....	B	6 Cyl. Eng.	1)	9299538	1
	RING.....	C, H, K	4 Cyl. Eng.		06634858	1
	RING - .083"-.085" thick.....	C, H, K	4 Cyl. Eng.	1)	9299534	1
	RING - .086"-.088" thick.....	C, H, K	4 Cyl. Eng.	1)	9299535	1
	RING - .089"-.091" thick.....	C	4 Cyl. Eng. with Transmission Code HB.....	1)	9299536	1
	RING - .092"-.094" thick.....	C	4 Cyl. Eng. with Transmission Code HB..... (9299545)	1)		1
	RING - .095"-.097" thick.....	C	4 Cyl. Eng. with Transmission Code HB.....	1)	9299538	1
	RING - .089"-.091" thick.....	C	4 Cyl. Eng. with Transmission Code HJ.....	1)	9299544	1
	RING - .092"-.094" thick.....	C	4 Cyl. Eng. with Transmission Code HJ..... (9299545)	1)		1
	RING - .095"-.097" thick.....	C	4 Cyl. Eng. with Transmission Code HJ.....	1)	9299546	1
	RING - .089"-.091" thick.....	H, K	4 Cyl. Eng. with Transmission Code HL.....	1)	9299544	1
	RING - .092"-.094" thick.....	H, K	4 Cyl. Eng. with (9299545) Transmission Code HL.....	1)		1
	RING - .095"-.097" thick.....	H, K	4 Cyl. Eng. with Transmission Code HL.....	1)	9299546	1
	RING.....	H, K	6 Cyl. Eng.		06634858	1
	RING - .083"-.085" thick.....	H, K	6 Cyl. Eng.	1)	9299534	1
	RING - .086"-.088" thick.....	H, K	6 Cyl. Eng.	1)	9299535	1
	RING - .089"-.091" thick.....	H, K	6 Cyl. Eng.	1)	9299536	1
	RING - .092"-.094" thick.....	H, K	6 Cyl. Eng.	1)	9299537	1
	RING - .095"-.097" thick.....	H, K	6 Cyl. Eng.	1)	9299538	1
4.376H RING - Transmission clutch gear bearing locating						
	RING.....	C, H	4 Cyl. Eng.		590849	1
	RING.....	H, K	6 Cyl. Eng.		590849	1
4.380H SYNCHRONIZER - Transmission						
	SYNCHRONIZER ASM. - 1st & 2nd speed..	B	6 Cyl. Eng.		95010157	1
	SYNCHRONIZER ASM. - 3rd & 4th speed...	B	6 Cyl. Eng.		95010156	1
	SYNCHRONIZER ASM. - 1st & 2nd speed..	C	4 Cyl. Eng. with Transmission Code HB.....		95010157	1
	SYNCHRONIZER ASM. - 3rd & 4th speed...	C	4 Cyl. Eng. with Transmission Code HB.....		95010156	1
	SYNCHRONIZER ASM. - 1st & 2nd speed..	C	4 Cyl. Eng. with Transmission Code HJ.....		95010375	1
	SYNCHRONIZER ASM. - 3rd & 4th speed...	C	4 Cyl. Eng. with Transmission Code HJ.....		95010376	1
	SYNCHRONIZER ASM. - 1st & 2nd speed..	H, K	4 Cyl. Eng. with Transmission Code HL.....		95010375	1
	SYNCHRONIZER ASM. - 3rd & 4th speed...	H, K	4 Cyl. Eng. with Transmission Code HL.....		95010376	1
	SYNCHRONIZER ASM. - 1st & 2nd speed..	H, K	6 Cyl. Eng.		95010375	1
	SYNCHRONIZER ASM. - 3rd & 4th speed...	H, K	6 Cyl. Eng.		95010376	1

1. Selective Fit.



"V" SERIES PARTS CATALOGUE

GROUP	DESCRIPTION	SERIES	MODEL/OPTION	SIDE	PART No.	QTY.
TRANSMISSION FIVE SPEED MANUAL CONTROL BORG WARNER - PRODUCTION OPTION M76						
4.380S SYNCHRONIZER - Transmission						
	SYNCHRONIZER ASM. - 1st & 2nd gear.....	H	4 Cyl. Eng. (VS15066) (VS15103)		VS15809	1
	SYNCHRONIZER ASM. - 5th gear.....	H	4 Cyl. Eng. (VS14912)		VS15759	1
	SYNCHRONIZER ASM. - 1st & 2nd gear.....	H	2.85 Litre Eng. (VS15103)		VS15809	1
	SYNCHRONIZER ASM. - 5th gear.....	H	2.85 Litre Eng. (VS14912)		VS15759	1
	SYNCHRONIZER ASM. - 1st & 2nd gear.....	K		VS15809	1
	SYNCHRONIZER ASM. - 3rd & 4th gear.....	H, K		VS14913	1
	SYNCHRONIZER ASM. - 5th gear.....	K		VS15759	1
4.382S RING - Transmission synchronizer retaining						
NOTE:- Refer Group 4.383S						
4.383S RING - Transmission synchronizer blocking						
	RING.....	H, K (VS14915)		VS16501	5
4.383S RING - Transmission synchronizer retaining						
	RING - 1st & 2nd - 2.16mm - 2.21mm thick	H, K	1)	VS15058	1
	RING - 1st & 2nd - 2.24mm - 2.29mm thick	H, K	1)	VS15059	1
	RING - 1st & 2nd - 2.31mm - 2.36mm thick	H, K (VS15060)	1)		1
	RING - 1st & 2nd - 2.39mm - 2.44mm thick	H, K	1)	VS15061	1
	RING - 5th - 1.94mm - 2.00mm thick.....	H, K (VS15383)	1)		1
	RING - 5th - 2.06mm - 2.12mm thick.....	H, K (VS15382)	1)		1
	RING - 5th - 2.18mm - 2.24mm thick.....	H, K	1)	VS14961	1
	RING - 3rd & 4th.....	H, K		VS14923	1
4.384S SPRING - Transmission synchronizer						
NOTE:- Refer Group 4.413S						
4.384S KEY - Transmission synchronizer						
	KEY.....	H, K		VS15756	3
4.395S GEAR - Transmission second speed						
	GEAR ASM. - 26 Teeth.....	H	4 Cyl. Eng. (VS14903)		VS15750	1
	GEAR ASM. - 26 Teeth.....	H	2.85 Litre Eng. (VS15100)		VS15750	1
	GEAR ASM. - 26 Teeth.....	K		VS16408	1
4.403S SHAFT - Transmission main						
	SHAFT - Suit 5th gear with needle roller bearing.....	H	4 Cyl. Eng. (VS14900)		VS15749	1
	SHAFT - Suit transmission from serial No. 8311 onwards - With spiral oil grooves for 5th gear.....	H, K	4 Cyl. Eng. Use VS16409 (VS16265)			1
	SHAFT - Suit 5th gear with needle roller bearing.....	H	2.85 Litre Eng. (VS14900)		VS15749	1
	SHAFT - Suit transmission from serial No. 9735 onwards - With spiral oil grooves for 5th gear.....	H	2.85 Litre Eng. Use VS16409 (VS16265)			1
	SHAFT.....	K	6 Cyl. Eng.		VS16409	1

1. Selective Fit.

"V" SERIES PARTS CATALOGUE



GROUP	DESCRIPTION	SERIES	MODEL/OPTION	SIDE	PART No.	QTY.
TRANSMISSION 'TRIMATIC' AUTOMATIC						
PRODUCTION OPTION M40						
4.163U PLATE, SPACER - Transmission clutch						
	PLATE ASM. - 2nd clutch drive	C, H, K	4 Cyl. Eng.		5258025	3
	PLATE ASM. - 2nd clutch drive	H, K	2.85 Litre Eng.		5258025	4
	PLATE ASM. - 2nd clutch drive	B, C, H, K	3.3 Litre Eng.		5258025	5
	PLATE ASM. - 2nd clutch drive	B, C, H	4.2 Litre Eng.		5258025	6
	PLATE ASM. - 2nd clutch drive	H, K	5.0 Litre Eng.		5258025	6
	PLATE - 2nd clutch driven.....	C, H, K	4 Cyl. Eng.		5258057	4
	PLATE - 2nd clutch driven.....	H, K	2.85 Litre Eng.		5258057	5
	PLATE - 2nd clutch driven.....	B, C, H, K	3.3 Litre Eng.		5258057	6
	PLATE - 2nd clutch driven.....	B, C, H	4.2 Litre Eng.		5258057	7
	PLATE - 2nd clutch driven.....	H, K	5.0 Litre Eng.		5258057	7
	PLATE - 2nd clutch cushion.....	B, C, H, K			5258990	1
	PLATE ASM. - 3rd clutch drive.....	C, H, K	4 Cyl. Eng.		5258035	3
	PLATE ASM. - 3rd clutch drive.....	H	2.85 Litre Eng.		5258035	4
	PLATE ASM. - 3rd clutch drive.....	B, C, H	3.3, 4.2 Litre Eng.		5258035	4
	PLATE ASM. - 3rd clutch drive.....	K	6 Cyl. Eng.		5258035	4
	PLATE ASM. - 3rd clutch drive.....	H, K	5.0 Litre Eng.	56)	92017609	5
	PLATE ASM. - 3rd clutch drive - Calibration 'A' transmission.....	H, K	5.0 Litre Eng.	57)	92017609	5
	PLATE ASM. - 3rd clutch drive - Calibration 'B' transmission.....	H, K	5.0 Litre Eng.	57)	5258035	5
	PLATE - 3rd clutch driven.....	C, H, K	4 Cyl. Eng.		5258058	4
	PLATE - 3rd clutch driven.....	H	2.85 Litre Eng.		5258058	5
	PLATE - 3rd clutch driven.....	B, C, H	3.3, 4.2 Litre Eng.		5258058	5
	PLATE - 3rd clutch driven.....	K	6 Cyl. Eng.		5258058	5
	PLATE - 3rd clutch driven.....	H, K	5.0 Litre Eng.		5258058	6
	PLATE - 3rd clutch cushion.....	B, C, H, K	(08958678)		90094994	1
	PLATE - Reverse clutch drive.....	C, H, K	4 Cyl. Eng.		18006702	3
	PLATE - Reverse clutch drive.....	B, C	3.3 Litre Eng. . (M38146) (18006010)		18006702	4
	PLATE - Reverse clutch drive.....	H, K	2.85, 3.3 Litre Eng.		18006702	4
	PLATE - Reverse clutch drive.....	B, C	4.2 Litre Eng. . (M38146) (18006010)		18006702	5
	PLATE - Reverse clutch drive.....	H	4.2 Litre Eng.		18006702	5
	PLATE - Reverse clutch drive.....	H, K	5.0 Litre Eng.		18006702	5
	PLATE - Reverse clutch reaction.....	C, H, K	4 Cyl. Eng.		5258019	4
	PLATE - Reverse clutch reaction.....	H, K	2.85 Litre Eng.		5258019	5
	PLATE - Reverse clutch reaction.....	B, C, H, K	3.3 Litre Eng.		5258019	5
	PLATE - Reverse clutch reaction.....	B, C, H	4.2 Litre Eng.		5258019	6
	PLATE - Reverse clutch reaction.....	H, K	5.0 Litre Eng.		5258019	6
	PLATE - Reverse clutch pressure	B, C	(9944358)		92011150	1
	PLATE - Reverse clutch pressure	H, K			92011150	1
	PLATE - Reverse clutch cushion.....	B, C, H, K			5258989	1
	SPACER - 2nd clutch plate - 49.5mm wide..	C, H	4 Cyl. Eng.		5258283	1
	SPACER - 2nd clutch plate - 44.9mm wide..	H, K	4 Cyl. Eng.		5258284	1
	SPACER - 2nd clutch plate - 44.9mm wide..	H	2.85 Litre Eng.		5258284	1
	SPACER - 2nd clutch plate - 40.3mm wide..	H, K	2.85 Litre Eng.		5258285	1
	SPACER - 2nd clutch plate - 40.3mm wide..	B, C, H	3.3 Litre Eng.		5258285	1
	SPACER - 2nd clutch plate - 35.6mm wide..	H, K	3.3 Litre Eng.		2820681	1
	SPACER - 2nd clutch plate - 35.6mm wide..	B, C, H	4.2 Litre Eng.		2820681	1
	SPACER - 2nd clutch plate	H	4.2 Litre Eng.		92019879	1
	SPACER - 2nd clutch plate - 35.6mm wide..	H	5.0 Litre Eng.		2820681	1
	SPACER - 2nd clutch plate	H, K	5.0 Litre Eng.		92019879	1
	SPACER - 2nd clutch	B, C, H			5258057	AR
	SPACER - 2nd clutch .51mm thick.....	B, C, H, K			92006781	AR
	SPACER - 2nd clutch .76mm thick.....	B, C, H, K			92006782	AR
	SPACER - 2nd clutch 1.14mm thick	C, H, K			92007172	AR

56. Use on Transmission with Code LM
57. Use on Transmission with Code LS



"V" SERIES PARTS CATALOGUE

GROUP	DESCRIPTION	SERIES	MODEL/OPTION	SIDE	PART No.	QTY.
TRANSMISSION 'TRIMATIC' AUTOMATIC						
PRODUCTION OPTION M40						
4.265U SPRING - Transmission valve body (contd.)						
	SPRING - Detent pressure regulator valve - Orange.....	C, H, K	4 Cyl. Eng.		92004309	1
	SPRING - Detent pressure regulator valve - Pink.....	C	3.3 Litre Eng.		5258582	1
	SPRING - Detent pressure regulator valve - Pink.....	H	2.85, 3.3 Litre Eng.		5258582	1
	SPRING - Detent pressure regulator valve - Orange.....	C, H	4.2 Litre Eng.		92004309	1
	SPRING - Detent pressure regulator valve - Pink.....	K	2.85 Litre Eng.		5258582	1
	SPRING - Detent pressure regulator valve - Orange.....	K	3.3 Litre Eng. exc. E.F.I.		92004309	1
	SPRING - Detent pressure regulator valve ...	K	3.3 Litre Eng. with E.F.I. .. (2811015)			1
	SPRING - Detent pressure regulator valve - Pink.....	H, K	5.0 Litre Eng.		5258582	1
4.265U SLEEVE, SEAT, PLUG, BALL - Transmission valve body						
	SLEEVE - 1-2 shift control valve.....	C	4 Cyl. Eng.		92000780	1
	SLEEVE - 1-2 shift control valve.....	B	3.3, 4.2 Litre Eng. (9942021)			1
	SLEEVE - 1-2 shift control valve.....	C	3.3, 4.2 Litre Eng.		92000780	1
	SLEEVE - 1-2 shift control valve.....	H	4, 6 Cyl. Eng.		92000780	1
	SLEEVE - 1-2 shift control valve.....	K	4 Cyl. Eng.		92000780	1
	SLEEVE - 1-2 shift control valve.....	K	2.85 Litre Eng.		92000780	1
	SLEEVE - 1-2 shift control valve.....	H	4.2 Litre Eng.		92000780	1
	SLEEVE - 1-2 shift control valve.....	H	5.0 Litre Eng.	56)	92000780	1
	SLEEVE - 1-2 shift control valve.....	K	3.3 Litre Eng.		92020519	1
	SLEEVE - 1-2 shift control valve.....	H, K	5.0 Litre Eng.	57)	92020519	1
	SLEEVE - 2-3 shift control valve.....	B (9942022)			1
	SLEEVE - 2-3 shift control valve.....	C		92009345	1
	SLEEVE - 2-3 shift control valve.....	H	2.85, 3.3 Litre Eng.		92009345	1
	SLEEVE - 2-3 shift control valve.....	H	4.2 Litre Eng.		92009345	1
	SLEEVE - 2-3 shift control valve.....	H	5.0 Litre Eng.	56)	92009345	1
	SLEEVE - 2-3 shift control valve.....	H, K	5.0 Litre Eng. (9942022)	57)		1
	SLEEVE - 2-3 shift control valve.....	K	4 Cyl. Eng.		92009345	1
	SLEEVE - 2-3 shift control valve.....	K	2.85 Litre Eng.		92009345	1
	SLEEVE - 2-3 shift control valve.....	K	3.3 Litre Eng. (9942022)			1
	SLEEVE - Low speed timing control valve....	H, K	2.85 Litre Eng.		9942027	1
	SLEEVE - Low speed timing control valve....	H, K	5.0 Litre Eng.		9942027	1
	SLEEVE - Low speed timing control valve....	K	3.3 Litre Eng. with E.F.I.		9942027	1
	# SEAT - 1-2 shift control valve spring.....	B, C, H, K (9942024)			1
	# SEAT - 2-3 shift control valve spring.....	B, C, H, K (9942024)			1
	SEAT - 2-3 shift valve spring.....	K	2.85 Litre Eng., 3.3 Litre with E.F.I.		5258509	1
	SEAT - Detent pressure regulator valve spring.....	B, C, H, K		5258805	1
	PLUG - Low speed timing valve.....	C, H, K	4 Cyl. Eng.		9945595	1
	PLUG - Low speed timing valve.....	B, C, H	3.3, 4.2 Litre Eng.		9945595	1
	PLUG - Low speed timing valve.....	K	3.3 Litre Eng. exc. E.F.I.		9945595	1
	PLUG - 3-2 control valve.....	B, C, H, K		9942038	1
	PLUG - 1-2 accumulator valve.....	B, C, H, K		9942038	1
	BALL - Accumulator piston access hole.....	B, C		453570	1
	BALL - Accumulator piston access hole.....	H	4, 6 Cyl. Eng.		453570	1
	BALL - Accumulator piston access hole.....	K	4 Cyl. Eng.		453570	1
	BALL - Accumulator piston access hole.....	K	2.85 Litre Eng.		453570	1
	BALL - Accumulator piston access hole.....	H	4.2 Litre Eng.		453570	1
	BALL - Accumulator piston access hole.....	H	5.0 Litre Eng.	56)	453570	1
	BALL - Accumulator piston access hole.....	K	3.3 Litre Eng.		453568	1

56. Use on Transmission with Code LM
 57. Use on Transmission with Code LS

"V" SERIES PARTS CATALOGUE



GROUP	DESCRIPTION	SERIES	MODEL/OPTION	SIDE	PART No.	QTY.
TRANSMISSION 'TURBO HYDRA-MATIC 400' AUTOMATIC						
PRODUCTION OPTION M41						
4.246V	RETAINER - Transmission rear servo piston spring					
#	RETAINER.....	B	(8623664)			1
4.248V	PIPE, SCREEN - Transmission governor oil					
	PIPE.....	B			8623157	2
#	SCREEN ASM.....	B	(8626876) (8627509)			1
4.251V	BAND - Transmission brake					
	BAND ASM. - Front.....	B	(8623123)		8629531	1
	BAND ASM. - Rear - Complete.....	B	(8623155)			1
4.256V	GOVERNOR, COVER, GASKET, GEAR, PIN - Transmission					
	GOVERNOR ASM. - Complete.....	B			8627442	1
4.256V	COVER, GASKET, GEAR, PIN - Transmission					
	COVER - Governor.....	B	(8623262)			1
	GASKET - Cover.....	B	(8623263)			1
	BOLT - Cover attaching.....	B			179816	4
	GEAR & PINION KIT - Driven - Less stop pin.....	B			8623924	1
	PIN - Support.....	B			8629291	1
4.265V	MODULATOR, VALVE - Transmission vacuum					
	NOTE:- Refer Group 4.205V					
4.265V	VALVE BODY - Transmission					
#	VALVE BODY ASM. - Oil control.....	B	(8629537)			1
4.265V	VALVE, GASKET, PLATE, SOLENOID, LEAD, PIN, PLUG - Transmission valve					
	VALVE - Manual control.....	B			8623592	1
	GASKET - Spacer plate to case.....	B			8623563	1
	PLATE - Valve body spacer.....	B			8629082	1
	GASKET - Spacer plate to valve body.....	B			8623561	1
#	SOLENOID ASM.....	B	(8626974)		8629935	1
	GASKET - Solenoid valve.....	B	(8623741)			1
	CONNECTOR - Downshift solenoid valve.....	B	(8626597)		8629502	1
	LEAD - Downshift solenoid valve - Internal..	B	(8626426)			1
	PIN - Body .125" dia. x .82" - Straight.....	B			8622045	1
	PIN - Body .125" dia. x 1.43" - Straight.....	B			8623078	1
#	PIN - Body .125" O.D. x 1.03" - Coiled Spring.....	B	(8624482)			2
	PIN - Bore plug retaining .125" O.D. x .82" - Grooved.....	B	(8625544)			1
	PIN - Third to second valve.....	B	(8625324)			1
	PIN - Detent regulator valve.....	B			8623507	1
	PLUG - Detent valve .50" O.D.....	B	(8623295)			1
	PLUG - One two accumulator .56" O.D.....	B	(8625546)			1
	PLUG - Three two valve .437" O.D.....	B	(8623298)			1
4.275V	ROLLER & SPRING - Transmission manual range selector					
	NOTE:- Refer Group 4.293V					



GROUP	DESCRIPTION	SERIES	MODEL/OPTION	SIDE	PART No.	QTY.
TRANSMISSION, 'TURBO HYDRA-MATIC 350' AUTOMATIC						
PRODUCTION OPTION M41 - VB, M38 - VC, VH						
4.337W DRIVE, SHAFT - Speedometer cable						
	DRIVE ASM.....	B, C, H		92002224	1
	SHAFT - Drive to speedometer driven gear.....	B, C, H		VS14569	1
4.337W GEAR - Speedometer driven						
	GEAR - 17 Teeth - Purple.....	B, C	2.60:1 A.R. with QCH, QCJ, QBC, QST Tyre Options.....		3987917	1
	GEAR - 17 Teeth - Purple.....	H	2.60:1 A.R. with QCH, QCJ, QBC, QST, QFL, QEO. Tyre Options.....		3987917	1
	GEAR - 20 Teeth - Blue.....	B, C	3.08:1 A.R. with QCH, QCJ, QST Tyre Options.....		3987920	1
	GEAR - 20 Teeth - Blue.....	H	3.08:1 A.R. with QCH, QCJ, QST, QFL, QEO. Tyre Options.....		3987920	1
	GEAR - 21 Teeth - Red.....	B, C, H	3.08:1 A.R. with QBC Tyre Options...		3987921	1
4.338W SLEEVE & SEAL, SEAL, RETAINER - Speedometer cable						
	SLEEVE & SEAL ASM.....	B, C, H		338975	1
	SEAL - Sleeve.....	B, C, H	(6264903)			1
	RETAINER - Sleeve.....	B, C, H		3708148	1
	BOLT - Retainer.....	B, C, H	(11503805)			1
	PLUG - Speedometer hole.....	B, C	(2333543)			1
4.342W CABLE - Speedometer						
	CABLE & CASING ASM.....	B, C, H	Exc. Production Cruise Control.....		9947987	1
	# CABLE KIT.....	B, C, H	Exc. Production Cruise Control (VS13542)			1
	CABLE & CASING - Speedometer to transducer.....	C, H	Production Cruise Control.....		92007986	1
	CABLE & CASING - Transducer to transmission.....	C, H	Production Cruise Control.....		92007988	1
	SCREW - Cable to dash panel.....	B, C, H	(163210) (11077851)			1
	NUT - Cable to dash panel.....	B, C, H		SP3124	1
	WASHER - Cable to dash panel.....	B		120391	1
	WASHER - Cable to dash panel.....	C, H		11011616	1
	SPACER - Cable to dash panel.....	B, C, H		2815130	1
	SCREW - Cable to floor pan.....	B, C, H		160548	1
	NUT - Cable to floor pan.....	B, C, H		120375	2
	WASHER - Cable to floor pan.....	B, C, H	(446188)			2
4.343W GEAR - Speedometer drive						
	GEAR - Drive - 8 teeth - Orange.....	B, C, H		6261784	1
	CLIP - Speedometer gear retainer.....	B, C, H		6261781	1



"V" SERIES PARTS CATALOGUE

GROUP	DESCRIPTION	SERIES	MODEL/OPTION	SIDE	PART No.	QTY.
4.908 DIAPHRAGM - Brake booster						
NOTE:- Refer Group 4.922						
4.908 SEAL - Brake booster						
NOTE:- Refer Group 4.918						
4.913 FILTER, WASHER - Brake booster						
	FILTER	B, C, H, K			VS10577	1
	WASHER - Filter.....	B, C, H, K	(VS10578)			1
4.918 VALVE, ROD, PLATE, BOOT, KEY, DISC, SEAL - Brake booster push rod						
	VALVE ROD & PLUNGER ASM - Booster stamped VH296	B	(VS14349)			1
	ROD - Push - Booster stamped VH423.....	B, C	(VS14334)			1
	VALVE ROD & PLUNGER ASM - Booster stamped VH423, VH437	B, C, H			VS14832	1
	VALVE ROD & PLUNGER ASM - Booster stamped VH365, VH387	B, C, H	(VS14348)			1
	SEAL.....	B, C, H, K	(VS10576)		VS15720	1
	DISC - Reaction.....	B, C, H, K			VS10575	1
	SEAL ASM - Rear shell.....	B, C, H, K			VS10579	1
	PLATE - Seal reinforcement - Booster stamped VH423	B, C, K	(VS11178)			1
	BOOT - Plunger - Booster stamped VH423..	B, C	(VS14344)			1
	KEY - Plunger - Booster stamped VH296, VH423, VH437.....	B, C, H	(VS13322)			1
NOTE:- Booster Identification number stamped on outer shell						
4.922 VALVE BODY, DIAPHRAGM - Brake booster						
	VALVE BODY ASM. - Booster stamped VH365, VH387.....	B, C, H			VS14876	1
	# DIAPHRAGM - Booster stamped VH296, VH423, VH437.....	B, C, H	(VS13320)			1
	DIAPHRAGM - Front - Booster stamped VH365, VH387.....	B, C, H			VS14342	1
	DIAPHRAGM - Rear - Booster stamped VH365, VH387.....	B, C, H			VS14343	1
NOTE:- Booster Identification number stamped on outer shell						
4.931 HOSE, CLAMP - Brake vacuum servo						
	# HOSE - Cut to length 21 inches.....	C, H, K	4 Cyl. Eng. (9944327)		7437282	1
	STRAP - Booster hose to P.C.V. hose.....	C, H, K	4 Cyl. Eng. (SP1887)		7436769	1
	# HOSE - 23 inches long	B, C, H	6 Cyl. Eng. exc. Air Cond, Rear Disc Brakes (9944327)		7437282	1
	HOSE - 26.25 inches long.....	B, C, H	6 Cyl. Eng. with Air Cond, Rear Disc brakes		7437282	1
	# HOSE - 23 inches long	K	6 Cyl. Eng. exc. Police Police Equipment (9944327)		7437282	1
	HOSE - 26.25 inches long.....	K	6 Cyl. Eng. with Police Equipment & Rear Disc Brakes exc. E.F.I.		7437282	1
	HOSE - Cut to length 24 inches.....	K	6 Cyl. Eng. Police Equipment with E.F.I. (7449239)		7437282	1
	# HOSE - 23 inches long	K	6 Cyl. Eng. Police Equipment exc. E.F.I. & Rear Disc Brakes (9944327)		7437282	1
	HOSE - 18 inches long	B, C	8 Cyl. Eng.		7449240 USE	1
	# HOSE - Cut to length 19 inches.....	H, K	8 Cyl. Eng. (9944327)		7437282	1



"V" SERIES PARTS CATALOGUE

GROUP	DESCRIPTION	SERIES	MODEL/OPTION	SIDE	PART No.	QTY.
5.531 BOLT - Ring gear to case						
	BOLT	B, C, H			5257956	AR
	BOLT	K	Exc. 3.23:1, 3.89:1 A.R.		5257956	AR
NOTE:- BOLT P/N 5257956 must be coated with Loctite 262 prior to fitment						
	BOLT	K	4 Cyl. Eng. 3.89:1 A.R.		VS14978	AR
	BOLT	K	6 Cyl. Eng. 3.23:1 A.R.		VS14978	AR
5.536 BEARING - Differential side						
	BEARING ASM.	B, C, H	Exc. Heavy Duty Rear Axle		9943351	2
	BEARING ASM.	B, C, H	Heavy Duty Rear Axle		7449505	2
	BEARING ASM.	K	4 Cyl. Eng. exc. 3.89:1 A.R.		9943351	2
	BEARING ASM.	K	4 Cyl. Eng. with 3.89:1 A.R. (VS16552)		7449505	2
	BEARING ASM.	K	6 Cyl. Eng. exc. 3.23:1 A.R.		9943351	2
	BEARING ASM.	K	6 Cyl. Eng. 3.23:1 A.R. VS16552)		7449505	2
	BEARING ASM.	K	5.0 Litre Eng.		7449505	2
5.537 SHIM - Differential side bearing - Exc. 3.23:1, 3.89:1 A.R.						
	SHIM - 5.60mm.....	B, C, H, K	Exc. Heavy Duty Rear Axle	1)	92008622	AR
	SHIM - 5.65mm.....	B, C, H, K	Exc. Heavy Duty Rear Axle	1)	9943176	AR
	SHIM - 5.70mm.....	B, C, H, K	Exc. Heavy Duty Rear Axle	1)	9943177	AR
	SHIM - 5.75mm.....	B, C, H, K	Exc. Heavy Duty Rear Axle	1)	9943178	AR
	SHIM - 5.80mm.....	B, C, H, K	Exc. Heavy Duty Rear Axle	1)	9943179	AR
#	SHIM - 5.85mm.....	B, C, H, K	Exc. Heavy Duty Rear Axle (9943181)	1)		AR
#	SHIM - 5.90mm.....	B, C, H, K	Exc. Heavy Duty Rear Axle (9943181)	1)		AR
	SHIM - 5.95mm.....	B, C, H, K	Exc. Heavy Duty Rear Axle	1)	9943182	AR
	SHIM - 6.00mm.....	B, C, H, K	Exc. Heavy Duty Rear Axle	1)	9943183	AR
	SHIM - 6.05mm.....	B, C, H, K	Exc. Heavy Duty Rear Axle (9943184)	1)		AR
	SHIM - 6.10mm.....	B, C, H, K	Exc. Heavy Duty Rear Axle	1)	9943185	AR
	SHIM - 6.15mm.....	B, C, H, K	Exc. Heavy Duty Rear Axle (9943186)	1)		AR
	SHIM - 6.20mm.....	B, C, H, K	Exc. Heavy Duty Rear Axle	1)	9943187	AR
	SHIM - 6.25mm.....	B, C, H, K	Exc. Heavy Duty Rear Axle	1)	9943188	AR
	SHIM - 6.30mm.....	B, C, H, K	Exc. Heavy Duty Rear Axle	1)	9943189	AR
	SHIM - 6.35mm.....	B, C, H, K	Exc. Heavy Duty Rear Axle	1)	9943190	AR
	SHIM - 6.40mm.....	B, C, H, K	Exc. Heavy Duty Rear Axle	1)	9943191	AR
	SHIM - 6.45mm.....	B, C, H, K	Exc. Heavy Duty Rear Axle	1)	9943192	AR
	SHIM - 6.50mm.....	B, C, H, K	Exc. Heavy Duty Rear Axle	1)	9943193	AR
	SHIM - 6.55mm.....	B, C, H, K	Exc. Heavy Duty Rear Axle	1)	9943194	AR
	SHIM - 6.60mm.....	B, C, H, K	Exc. Heavy Duty Rear Axle	1)	92008623	AR
	SHIM - 6.65mm.....	B, C, H, K	Exc. Heavy Duty Rear Axle	1)	92008624	AR
	SHIM - 6.70mm.....	B, C, H, K	Exc. Heavy Duty Rear Axle	1)	92008625	AR
	SHIM - .222".....	B, C, H, K	Heavy Duty Rear Axle	1)	3894701	AR
	SHIM - .224".....	B, C, H, K	Heavy Duty Rear Axle	1)	3894702	AR
	SHIM - .226".....	B, C, H, K	Heavy Duty Rear Axle	1)	3894703	AR
	SHIM - .228".....	B, C, H, K	Heavy Duty Rear Axle	1)	3894704	AR
	SHIM - .230".....	B, C, H, K	Heavy Duty Rear Axle	1)	3894705	AR
	SHIM - .232".....	B, C, H, K	Heavy Duty Rear Axle	1)	3894706	AR
	SHIM - .234".....	B, C, H, K	Heavy Duty Rear Axle (3894707)	1)		AR
	SHIM - .236".....	B, C, H, K	Heavy Duty Rear Axle	1)	3894708	AR
	SHIM - .238".....	B, C, H, K	Heavy Duty Rear Axle	1)	3894709	AR
	SHIM - .240".....	B, C, H, K	Heavy Duty Rear Axle	1)	3894710	AR
	SHIM - .242".....	B, C, H, K	Heavy Duty Rear Axle	1)	3894711	AR
	SHIM - .244".....	B, C, H, K	Heavy Duty Rear Axle	1)	3894712	AR
	SHIM - .246".....	B, C, H, K	Heavy Duty Rear Axle	1)	3894713	AR
	SHIM - .248".....	B, C, H, K	Heavy Duty Rear Axle	1)	3894714	AR
	SHIM - .250".....	B, C, H, K	Heavy Duty Rear Axle	1)	3894715	AR

1. Selective Fit.



"V" SERIES PARTS CATALOGUE

GROUP	DESCRIPTION	SERIES	MODEL/OPTION	SIDE	PART No.	QTY.
6.020 KNUCKLE & STRUT - Steering - Wylie (contd.)						
	KNUCKLE & STRUT ASM.....	C	6 Cyl. Eng. (92013859)			
		 (92013859) (92020542)	LH 60)		1
		 (92013858) (92020541)	RH 60)		1
	KNUCKLE & STRUT ASM.....	C	8 Cyl. Eng. exc. S.A. Police			
		 (92004251) (92020540)	LH 60)		1
		 (92004252) (92020539)	RH 60)		1
	KNUCKLE & STRUT ASM.....	C	8 Cyl. Eng. ... (92017239) S.A. Police			
		 (92017238)	RH 60)		1
	KNUCKLE & STRUT ASM.....	H	4 Cyl. Eng. exc. Outback Equipment			
		 (92020542)	LH 60)		1
		 (92020541)	RH 60)		1
	KNUCKLE & STRUT ASM.....	H	6 Cyl. Eng. exc. Outback Equipment, Performance Suspension			
			Equipment (92013859)			
		 (92013859) (92020542)	LH 60)		1
		 (92013858) (92020541)	RH 60)		1
	KNUCKLE & STRUT ASM.....	H	8 Cyl. Eng. exc. Outback Equipment, S.A. Police, Performance Suspension Equipment			
		 (92004251) (92020540)	LH 60)		1
		 (92004252) (92020539)	RH 60)		1
	KNUCKLE & STRUT ASM.....	H	8 Cyl. Eng. S.A. Police ... (92017239)			
		 (92017238)	RH 60)		1
	KNUCKLE & STRUT ASM.....	K	4 Cyl. Eng. exc. Outback Equipment			
		 (92017921)	LH 61)		1
		 (92017920)	RH 61)		1
	KNUCKLE & STRUT ASM.....	K	6 Cyl. Eng. exc. Outback Equipment, (92017921) Performance Suspension Equipment.....			
		 (92017920)	LH 61)		1
		 (92017920)	RH 61)		1
	KNUCKLE & STRUT ASM.....	K	8 Cyl. Eng. exc. Outback Equipment, Performance Suspension Equipment (92022039)			
		 (92022038)	LH 61)		1
		 (92022038)	RH 61)		1
	KNUCKLE & STRUT ASM.....	H, K	Outback Equipment (92016687)			
		 (92016686)	LH 60)		1
		 (92016686)	RH 60)		1
	KNUCKLE & STRUT ASM.....	H, K	Performance Suspension Equipment			
		 (92021487)	LH 60)		1
		 (92021486)	RH 60)		1
NOTE:- KNUCKLE & TUBE in Group 6.020 together with the appropriate STRUT ROD & SLEEVE KIT in 6.022 are required to build up a complete KNUCKLE & STRUT ASM.						
6.020 KNUCKLE & TUBE - Steering						
	KNUCKLE & TUBE - Less strut insert.....	B, C, H, K		LH 61)	92023915	1
				RH 61)	92023914	1
NOTE:- KNUCKLE & TUBE together with the appropriate STRUT ROD & SLEEVE KIT in Group 6.022 are required to build up a complete KNUCKLE & STRUT ASM.						
6.020 KNUCKLE & STRUT - Steering						
	KNUCKLE & STRUT SET - Set 2.....	H	Competition Vehicle (M39042)	15)		1
<p>15. These parts are specifically designed for fitment to vehicles used solely for competition purposes, and it is imperative that the parts listed be restricted for this application</p> <p>60. Knuckle & Strut with Thread Depth 13mm and Counter Bore Depth 32mm</p> <p>61. Knuckle & Strut with Thread Depth 10mm and Counter Bore Depth 24mm</p>						

"V" SERIES PARTS CATALOGUE



GROUP	DESCRIPTION	SERIES	MODEL/OPTION	SIDE	PART No.	QTY.
6.552 RING - Steering gear piston & valve						
	RING - Piston & valve.....	B, C, H, K	Power Steering.....		VS15269	5
6.552 SET SCREW, WASHER - Steering gear valve housing						
	SET SCREW - Valve housing.....	B, C, H, K	Power Steering..... (VS14375)			2
	WASHER - Valve thrust.....	B, C, H, K	Power Steering.....		VS14377	1
6.581 REPAIR KIT - Power steering gear						
	NOTE:- Refer Group 6.508					
6.586 RACK - Steering gear						
	RACK - Suit non captive type tie rods.....	B, C, H, K	Exc. Power Steering.....		VS14262	1
	RACK - Suit captive type tie rods.....	K	Exc. Power Steering.....		VS16881	1
	RACK & PISTON ASM. - Suit non captive type tie rods.....	B, C, H, K	Power Steering.....		VS14255	1
	RACK & PISTON ASM. - Suit captive type tie rods.....	B, C, H, K	Power Steering.....		VS16890	1
	RACK.....	B, C, H	Power Steering..... (VS14256)			1
	CIRCLIP - Rack.....	B, C, H	Power Steering..... (VS14258)			1
6.586 'O' RING - Steering gear rack piston						
	'O' RING.....	B, C, H, K	Power Steering.....		VS15266	1
6.586 SCREW - Steering gear housing						
	SCREW - Rack housing - Drive.....	B, C, H, K	Power Steering.....		VS14365	2
6.587 PISTON - Power steering gear						
	PISTON - Rack.....	B, C, H	Power Steering..... (VS14257)			1
6.605 PUMP - Power steering						
	PUMP ASM.....	C	4 Cyl. Eng. (7837212)		7835616	1
	PUMP ASM.....	H, K	4 Cyl. Eng.		7838826	1
	PUMP ASM.....	B, C	6, 8 Cyl. Eng.....	11)	7818018	1
	PUMP ASM. - Shaft retained by square section ring.....	B, C	6, 8 Cyl. Eng. (7833992)	12)		1
	PUMP ASM. - Shaft retained by round section ring.....	B, C	6, 8 Cyl. Eng.....	12)	7840018	1
	PUMP ASM.....	H	2.85 Litre Eng.....		7838826	1
	PUMP ASM.....	H	3.3 Litre Eng.....		7840018	1
	PUMP ASM.....	K	6 Cyl. Eng.....		7838826	1
	PUMP ASM.....	H, K	8 Cyl. Eng. exc. Police Equipment.....		7840018	1
	PUMP ASM.....	H, K	8 Cyl. Eng. with Police Equipment.....		7845316	1
6.606 BRACKET, BUSH, BOLT, WASHER, SPACER - Power steering pump mounting - 4 Cyl. Eng.						
	BRACKET ASM. - Power steering pump & alternator mounting.....	C	4 Cyl. Eng. exc. Air Cond. (92010819)			1
	BUSH ASM. - Bracket.....	C	4 Cyl. Eng. exc. Air Cond.....		92007869	2
	BOLT - Bracket to engine.....	C	4 Cyl. Eng. exc. Air Cond. . (180123)			2
	BOLT - Bracket to engine.....	C	4 Cyl. Eng. exc. Air Cond.....		186688	1
	SPACER - Bracket to LH engine mounting...	C	4 Cyl. Eng. exc. Air Cond.....		92010354	1
	BOLT - Bracket to pump - Rear.....	C	4 Cyl. Eng. exc. Air Cond.....		11076371	1
	BOLT - Bracket asm. to pump - Front.....	C	4 Cyl. Eng. exc. Air Cond.....		11073821	1
	WASHER - Bracket asm. to pump - Front....	C	4 Cyl. Eng. exc. Air Cond.....		11011518	1
	SHIM - Bracket to pump - Rear.....	C	4 Cyl. Eng. exc. Air Cond.....		SP2097	AR

11. Use with Imperial mounting parts
12. Use with Metric mounting parts

"V" SERIES PARTS CATALOGUE



GROUP	DESCRIPTION	SERIES	MODEL/OPTION	SIDE	PART No.	QTY.
7.014 CROSSMEMBER, BRACKET, REINFORCEMENT, ROD - Panhard rod						
φ	CROSSMEMBER & BRACKET- Panhard rod bracket.....	B, C, H, K	Station Wagon.....		92000243	1
	CROSSMEMBER - Panhard rod - Less bracket.....	B, C, H, K	Station Wagon.....		92007831	1
	BRACKET ASM - Without crossmember.....	B, C, H, K	Station Wagon.....		90063519	1
	REINFORCEMENT - Crossmember.....	B, C, H, K	Station Wagon.....		90050555	1
	CROSSMEMBER & BRACKET - Panhard rod bracket.....	B, C	Sedan Use 92018316 (90043300)			1
	CROSSMEMBER & BRACKET - Panhard rod bracket.....	H, K	Sedan (92000242)			1
	CROSSMEMBER - Panhard rod - Less bracket.....	H, K	Sedan.....		92018316	1
	BRACKET ASM - Without crossmember.....	B, C, H, K	Sedan.....		90063488	1
	ROD ASM. - Complete.....	B, C, H, K		08961907	1
7.068 BAR - Tow						
	TOW BAR PACKAGE - Less tongue - 900kg.....	B, C	Station Wagon (92004914)			1
	TOW BAR PACKAGE - Less tongue - 1200kg.....	B, C, H, K	Station Wagon.....		92016993	1
	SMALL PARTS KIT.....	B, C, H, K	Station Wagon.....		M38311	1
	TOW BAR PACKAGE - Less tongue - 900kg.....	B, C	Sedan (92004913)			1
	TOW BAR PACKAGE - Less tongue - 1200kg.....	B, C, H, K	Sedan.....		92016991	1
	SMALL PARTS KIT.....	B, C, H, K	Sedan.....		M38092	1
7.068 TONGUE, BOLT, BALL - Tow bar						
	TONGUE PACKAGE - Painted - 900kg.....	B, C	Rams Horn (92005461)			1
	TONGUE PACKAGE - Painted - 1200kg.....	B, C, H, K	Rams Horn Use 92030046 (92016994) (92018993)			1
	TONGUE PACKAGE - Chrome plated - 900kg.....	B, C	Rams Horn (92005462)			1
	TONGUE PACKAGE - Chrome plated - 1200kg.....	B, C, H, K	Rams Horn Use 92018995 (92016995) 92018994)			1
	TONGUE PACKAGE - Chrome Plated - 900kg.....	B, C	Unthreaded 'U' Shackle . (92005464)			1
	TONGUE PACKAGE - Painted - 1200kg.....	B, C, H, K	With Threaded 'U' Shackle.....		92030046	1
	TONGUE PACKAGE - Chrome Plated - 1200kg.....	B, C, H, K	With Threaded 'U' Shackle (92016996)		92018995	1
	BOLT - Chain retaining.....	B, C, H, K	Tongue with threaded 'U' Shackle.....		M39028	1
\$	BALL - Chrome - 50mm x 21.7mm.....	B, C, H, K		M39932	1
7.068 BRACE - Rear quarter						
	BRACE PACKAGE - Use with heavy duty tow bar.....	B, C, H	Sedan.....		92015767	1
	BRACE PACKAGE - Use with heavy duty tow bar.....	K	Sedan.....		92022885	1
	SCREW - Brace to body side - Lower.....	B, C, H, K	Sedan.....		SP2730	2
	NUT - Brace to body side - Lower.....	B, C, H, K	Sedan.....		11040197	2
	WASHER - Brace to body side - Lower.....	B, C, H, K	Sedan.....		11010091	2
	NUT - Brace to body side - Upper.....	B, C, H, K	Sedan.....		11011418	2
	WASHER - Brace to body side - Upper.....	B, C, H, K	Sedan.....		11011616	4

"V" SERIES PARTS CATALOGUE



GROUP	DESCRIPTION	SERIES	MODEL/OPTION	SIDE	PART No.	QTY.
7.800 COMPONENTS - Licence plate mounting (contd.)						
	SCREW - Rear.....	K	Sedan.....		SP3196	2
7.800 FRAME PACKAGE - Licence plate						
	FRAME PACKAGE.....	B, C, H, K	(M37843)			1
	FRAME PACKAGE - With plastic covers - Chrome finish.....	B, C, H, K			M38626	1
#	FRAME PACKAGE - With plastic covers - Flat black finish.....	B, C, H, K	(M38646)		M39972	1
	COVER - Plastic - 372mm x 134mm x 2mm.....	B, C, H, K	(M38668)			1
	SPACER - Frame to bumper bar.....	H			7084112	2
	SCREW - Frame to bumper bar.....	H	(159962)			2
	NUT - Frame to bumper bar.....	H			120361	2
7.828 GUARD - Bumper bar						
	GUARD PACKAGE - Front.....	B	8VK, 8VL.....		92010432	1
	GUARD PACKAGE - Rear.....	B	8VK, 8VL.....		92010433	1
	GUARD PACKAGE - Front.....	C	8VK, 8VL.....		92010432	1
	GUARD PACKAGE - Rear.....	C	8VK, 8VL.....		92010433	1
	GUARD PACKAGE - Front.....	H			92013845	1
	GUARD PACKAGE - Rear.....	H			92014125	1
	GUARD ASM. - Front, Screw Type.....	B		LH	90043337	1
				RH	90043338	1
	SCREW - Guard to front bumper bar.....	B	(11080921)			2
	NUT - Guard to front bumper bar.....	B			11040197	2
	WASHER - Guard to front bumper bar.....	B			11010091	2
	GUARD ASM. - Rear, Screw Type.....	B			90043345	2
	SCREW - Guard to rear bumper bar.....	B	(11080921)			2
	NUT - Guard to rear bumper bar.....	B			11040197	2
	WASHER - Guard to rear bumper bar.....	B			11010091	2
	GUARD ASM. - Front, Clamp Type.....	B	8VK, 8VL.....	LH	92009797	1
				RH	92009796	1
	GUARD ASM. - Front, Clamp Type.....	C		LH	92009797	1
				RH	92009796	1
	GUARD ASM. - Front.....	H		LH	92011513	1
				RH	92011512	1
	CLAMP - Guard to front bumper bar.....	B, C, H			9933064	2
	NUT - Guard to front bumper bar.....	B, C, H			11011622	2
	WASHER - Guard to front bumper bar.....	B, C, H			11011423	2
	GUARD ASM. - Rear, Clamp Type.....	B	8VK, 8VL.....		92009798	2
	GUARD ASM. - Rear - Clamp Type.....	C			92009798	2
	GUARD ASM. - Rear.....	H			92013508	2
	CLAMP - Guard to rear bumper bar.....	B, C, H			9933064	2
	NUT - Guard to rear bumper bar.....	B, C, H			11011622	2
	WASHER - Guard to rear bumper bar.....	B, C, H			11011423	2
7.828 IMPACT ABSORBER PACKAGE - Front						
	IMPACT ABSORBER PACKAGE - 2 Bar Type.....	B, C, H	(M38349)			1
	IMPACT ABSORBER PACKAGE - 3 Bar Type.....	B, C, H	(M38350)			1
	PARTS KIT - Attaching.....	B, C, H	(M38351)			AR
	COMPOSITE BLOCK - Complete.....	B, C, H	(M38352)			AR
	BAR - Complete with end caps & 1.65m poly tube.....	B, C, H	(M38353)			AR
7.831 BAR - Front bumper						
	BAR.....	B, C	(90045153E) (92013639E)		92013639	1
	BAR ASM.....	C	H.D.T. Commodore..... (92015375)			1
	BAR.....	H	Exc. 'SS' Commodore .. (92013639E)		92013639	1



"V" SERIES PARTS CATALOGUE

GROUP	DESCRIPTION	SERIES	MODEL/OPTION	SIDE	PART No.	QTY.
8.143 BRACE, SCREW, BOLT, NUT - Front fender attaching (contd.)						
	SCREW - Fender to skirt.....	B, C, H, K	(09287493) (9287493)		SP3604	12
	NUT - Fender to skirt.....	B, C, H, K			11072461	12
	SCREW - Brace to fender.....	K			11058091	2
	WASHER - Brace to fender.....	K			11010091	2
	NUT - Brace to fender.....	K			11040197	2
	SCREW - Brace to fender skirt.....	K	(11050464)			2
	SCREW - Fender to front upper skirt.....	B, C, H, K	(09287493) (9287493)		SP3604	2
	NUT - Fender to front upper skirt.....	B, C, H, K			11072461	2
	SCREW - Fender lower to door opening frame.....	B, C, H, K			11072641	2
	NUT - Weld - Fender lower to door opening frame.....	B, C, H, K			11074251	2
	SCREW - Fender upper to door opening frame.....	H	'SS' Commodore.....		SP2111	2
8.147 PLATE, TRANSFER, EMBLEM - Front fender name						
	PLATE - 'COMMODORE' - Name.....	B	(92003054)		92011109	2
	PLATE - 'SL' - Name.....	B	8VL Use 92011107..... (92003055)			2
	PLATE - 'SL/E' - Name.....	B	8VX..... (92003056)		92011108	2
	PLATE - '5 Speed' - Name.....	H	5 Speed Transmission (8942141710)		94214171	2
	TRANSFER - 'SS' - Name.....	H	'SS' Commodore.....		92019432	2
	PLATE - 'ELECTRONIC INJECTION' - Name.....	K	8VK, 8VL..... (92021334)		92030895	2
	PLATE - 'CALAIS' - Name.....	K	8VK, 8VL.....	74)	92019157	2
	EMBLEM ASM. - Fender.....	K	8VK, 8VL..... (92021537)	74)	92026504	2
	PLATE - 'CALAIS' - Name.....	K	8VX.....		92019157	2
	EMBLEM ASM. - Fender.....	K	8VX..... (92021537)		92026504	2
8.153 EXTENSION - Fender skirt						
	EXTENSION - Upper air flow guide panel to fender skirt.....	B, C		LH	90046369	1
				RH	90046370	1
	EXTENSION - Upper air flow guide panel to fender skirt.....	H, K		LH	92012755	1
				RH	92012754	1
	EXTENSION - Lower air flow guide panel to fender skirt.....	B, C, H, K		LH	90046367	1
				RH	90046368	1
8.153 PANEL, BRACE, SUPPORT - Front fender skirt						
	PANEL - Fender skirt.....	B, C, H	(92000299)	LH	92018284	1
			Use 92023477			
			(92000298) (92018283)	RH		1
	PANEL - Fender skirt.....	K		LH	92018284	1
			Use 92023477..... (92018283)	RH		1
NOTE:- PANEL - Fender skirt P/N 92023477. When this panel is fitted to vehicles in lieu of P/N 92018283, it is recommended that Reservoir P/N 92025028 be fitted also.						
	BRACE - Fender skirt panel.....	B, C, H, K		LH	90043457	1
				RH	90043458	1
	SUPPORT - Fender skirt panel to cowl.....	B, C, H, K		LH	90043483	1
				RH	90043484	1
	SUPPORT - Fender skirt panel to brace.....	B, C, H, K		LH	92002427	1
				RH	92002428	1

74. With Ornamentation Package. P.O. B57 fitted to P.O.XX4, V9S Export Vehicles

"V" SERIES PARTS CATALOGUE



GROUP	DESCRIPTION	SERIES	MODEL/OPTION	SIDE	PART No.	QTY.
8.857	BLOWER & AIR INLET, MOTOR, IMPELLER, CASE, GASKET - Production air conditioner heater - Harrison (contd.)					
	CASE ASM. - Blower	B, C		3037430	1
	GASKET - Blower to evaporator case	B, C		3037224	1
	WASHER - Blower.....	B, C		11024191	1
8.857	RESISTOR - Production air conditioner - Harrison					
	RESISTOR - Heater blower	B, C		526897	1
8.857	HOUSING, MOTOR, IMPELLER, LEAD, CASE - Air conditioner heater blower - Air International					
	HOUSING, MOTOR & IMPELLER ASM.....	B, C, H	(VS14456)			1
	MOTOR & IMPELLER ASM.....	B, C, H		VS16257	1
	MOTOR ASM. - With threaded shaft	B, C, H	(VS14457)			1
	IMPELLER - Black - Retained by a nut.....	B, C, H		VS14458	1
	MOTOR ASM. - With unthreaded shaft	B, C, H	Use VS16257 (VS15374)			1
	IMPELLER - White - Retained by a circlip....	B, C, H		VS15375	1
	HOUSING ASM. - Inner.....	B, C, H		VS14459	1
	HOUSING ASM. - Outer.....	B, C, H		VS15242	1
	LEAD - Heater blower conversion	B, C	(VS15110)			1
	HOUSING, MOTOR & IMPELLER ASM.....	K		92020187	1
	MOTOR & IMPELLER ASM. - Blower.....	K		VS16382	1
	IMPELLER.....	K		VS16370	1
	CASE - Blower.....	K	LH	VS16398	1
				RH	VS16399	1
	BOLT - Blower housing to dash panel	K	(11041183)			1
	WASHER - Blower housing to dash panel....	K	(11013233)		120214	1
	WASHER - Blower housing to dash panel....	K		11010091	1
	NUT - Blower housing to dash panel.....	K		11040197	1
8.857	RESISTOR - Air conditioner evaporator blower - Air International					
	RESISTOR ASM. - On air inlet duct	B, C, H	39)	VS14811	1
	RESISTOR ASM. - Blower motor	K	(VS16201)		VS16806	1
8.866	VALVE - Heater water					
	VALVE ASM.	K		VS16213	1
8.866	'O' RING, CLIP - Heater water valve					
	'O' RING - Valve	K		VS16384	1
	CLIP - Valve to adjusting rod	K		VS16294	1
	RETAINER - Adjusting rod to mode door....	K		VS16199	1
8.881	KIT - Anti theft system					
	\$ KIT - Alarm system - Vehicle (Air International).....	B, C, H, K		M39901	1
8.890	LAMP PACKAGE, LENS, LEAD, HARNESS, STRAP, GROMMET, CLIP - Engine compartment lamp					
	LAMP PACKAGE	B	8VK, 8VL Use U11006 ... (92005262)			1
	LAMP PACKAGE	C, H	8VK, 8VL Use U11006			1
			(92013424) (92005262)			1
	# LENS & TERMINAL ASM.	B, C, H, K		8972943	1
	BULB - 12V/10W - Festoon.....	B, C, H, K		11030669	1
	LEAD ASM.....	B	8VK, 8VL		92004215	1
	LEAD ASM.....	C, H	8VK, 8VL (92013423)		92004215	1
	HARNESS ASM.	K	8VK, 8VL (92022227)			1
	LEAD ASM.....	B, C	8VX.....		92004215	1

39. Suit production & accessory air conditioner with evaporator from serial No. 41,001 on

"V" SERIES PARTS CATALOGUE



GROUP	DESCRIPTION	SERIES	MODEL/OPTION	SIDE	PART No.	QTY.
9.211 BRACKET, GASKET, PLATE, GROMMET - Evaporator - Accessory Air Conditioner - Air						
International (contd.)						
	3 X GROMMET.					
	6 X CLAMP.					
	3 X BOLT.					
	3 X NUT - Locking.					
	3 X WASHER - Flat.					
	3 X STRAP - 7" long.					
	GASKET - Evaporator case to dash panel ...	C	4 Cyl. Eng.	39)	92011594	1
	GASKET - Evaporator case to dash panel ...	B, C	6, 8 Cyl. Eng.	10)	92011594	1
	GASKET - Evaporator case to dash panel ...	B, C	6, 8 Cyl. Eng.	37)	92011594	1
	GASKET - Evaporator case to dash panel ...	B, C	6, 8 Cyl. Eng.	38)	92018502	1
	GASKET - Evaporator case to dash panel ...	H	37)	92011594	1
	GASKET - Evaporator case to dash panel ...	H	38)	92018502	1
	PLATE - Upper - Evaporator case to dash panel	B, C, H	39)	92011595	1
	PLATE - Lower - Evaporator case to dash panel	B, C, H	39)	92012583	1
	GROMMET - Evaporator case to dash - Sealing	B, C, H (VS14866)	39)		1
	SMALL PARTS KIT	C	4 Cyl. Eng. (VS14855)	39)		1
NOTE:- SMALL PARTS KIT Contains:-						
	4 X 'O' RING.					
	16 X SCREW - No 10.					
	1 X BOLT - M8 x 1.25 x 20.					
	3 X NUT - M8 x 1.25.					
	2 X NUT - Locking.					
	2 X BOLT.					
	2 X SCREW - M5.5 x 16.					
	4 X SCREW - No 14 x 20mm.					
	2 X STRAP - 7" long.					
	1 X GROMMET.					
	1 X WASHER - Flat.					
	3 X CLIP - Harness retaining.					
	2 X TERMINAL.					
	2 X BODY.					
	SMALL PARTS KIT	H	4 Cyl. Eng.	37)	VS15252	1
NOTE:- SMALL PARTS KIT Contains:-						
	5 X 'O' RING.					
	16 X SCREW - No 10.					
	1 X BOLT - M8 x 1.25 x 20.					
	3 X NUT - M8 x 1.25.					
	2 X NUT - 1/4".					
	2 X BOLT - 1/4" x 1".					
	3 X SCREW - No 8.					
	2 X SCREW - M5.5 x 16.					
	4 X SCREW - No14 x 20mm.					
	3 X STRAP - 7" long.					
	1 X GROMMET.					
	5 X CLAMP.					
	1 X BOLT - M6 x 1.0 x 20.					
	1 X NUT - Locking - M6.					
	1 X WASHER - Flat.					
	3 X CLIP - Harness retaining.					
10.	Suit production & accessory air conditioner with evaporator from serial No. 41,001 - 68,000					
37.	Suit production & accessory air conditioner with evaporator from serial No. 68,001 - 71,177					
38.	Suit production & accessory air conditioner with evaporator from serial No. 71,178 on					
39.	Suit production & accessory air conditioner with evaporator from serial No. 41,001 on					

"V" SERIES PARTS CATALOGUE



GROUP	DESCRIPTION	SERIES	MODEL/OPTION	SIDE	PART No.	QTY.
9.262 DOOR, TRUNNION - Production air conditioner air distribution - Harrison (contd.)						
	TRUNNION ASM. - Heater control cable.....	B, C			3035869	1
	SCREW - Heater cable adjusting - Zinc.....	B, C	(11074091)			1
9.263 DEFLECTOR, CLIP - Air conditioner plenum chamber						
NOTE:- Refer Group 12.800						
9.275 RESISTOR - Air conditioner blower motor						
NOTE:- Refer Group 9.215						
9.275 SWITCH, SOCKET, BULB, THERMOSTATIC SWITCH & TUBE - Production air conditioner - Harrison						
	SWITCH ASM. - Rotary.....	B, C	(92011322) (90046830)		90059395	1
	SOCKET - Rotary switch.....	B, C			11067611	1
	BULB - 12V/1.2W.....	B, C			11062449	1
THERMOSTATIC SWITCH & TUBE ASM. -						
	Evaporator.....	B, C			3040899	1
	SCREW - Thermostat to blower housing.....	B, C			11069291	2
	# RETAINER - Capillary stake.....	B, C	(3040933)			2
9.275 SWITCH, THERMOSTATIC SWITCH - Air conditioner - Air International						
	SWITCH ASM. - A/C.....	B, C	(VS14455)	9)	M38855	1
THERMOSTATIC SWITCH & TUBE ASM. -						
	Evaporator.....	B, C		9)	VS14131	1
	SWITCH ASM. - Micro - Evaporator.....	B, C		9)	VS14130	1
	BRACKET - Micro switch.....	B, C		9)	YS14672	1
	SWITCH ASM. - 'Norm - Recirc'.....	B, C, H		39)	92011282	1
THERMOSTATIC SWITCH & TUBE ASM. -						
	Evaporator.....	B, C, H, K		39)	VS14812	1
	* SWITCH ASM. - Low pressure cut off.....	K			VS16582	1
	SWITCH & LEAD ASM. - Low pressure cut off.....	K			92029568	1
	COVER - Switch hole closing.....	B, C, H	Exc. Air Cond.....		90044553	1
	SWITCH - Thermal cut out.....	K			VS17413	1
9.276 HARNESS, LEAD, DIODE, FUSE, BODY, TERMINAL - Production air conditioner - Harrison						
	HARNESS ASM.....	B	(92004779)			1
	LEAD ASM. - Radiator earth.....	B	(92005708)			1
	LEAD ASM. - Harness to alternator.....	B	6 Cyl. Eng. (92004780)			1
	LEAD ASM. - Harness to compressor.....	B	8 Cyl. Eng.		92004781	1
	LEAD ASM. - Harness to thermostat switch.....	B	8 Cyl. Eng. (92005690)			1
	* DIODE - Harness.....	B	(SP3089)			1
	FUSE - Harness - 15 amp.....	B			9426333	1
	FUSE - Harness - 25 amp.....	B			9426332	1
	* HOLDER - Fuse - White.....	B	(SP2758)			1
	HOLDER - Fuse - Red.....	B	(92000235)			1
	SLEEVE - Harness connector - 4" dia.....	B	(SP2794)			1
	SCREW - Ground cable to fender skirt.....	B			9414722	1
	WASHER - Ground cable to fender skirt.....	B			11011824	1
	BODY - Single male connector.....	B	(SP2652)		2984528	AR
	BODY - Single female connector.....	B			2962965	1
	BODY - 2 way female connector.....	B			2973407	1
	* BODY - 4 way female connector.....	B	(2965019)			1
	BODY - Harness to compressor lead.....	B			2973431	1
	BODY - Harness connector - 56 Series.....	B			2977253	1
	TERMINAL - Air cond. harness.....	B			SP2785	AR
	HARNESS ASM.....	C			92011829	1

9. Suit accessory air conditioner with evaporator up to serial No. 41,000
 39. Suit production & accessory air conditioner with evaporator from serial No. 41,001 on

"V" SERIES PARTS CATALOGUE



GROUP	DESCRIPTION	SERIES	MODEL/OPTION	SIDE	PART No.	QTY.
9.667 BRACKET - Radio support						
	BRACKET - Radio support rear	K	(92023262)			1
	BRACKET - Radio mounting.....	K	(92021248)			1
9.667 INSTALLATION KIT - Radio/Stereo Cassette Player mounting						
	INSTALLATION KIT - 'IN DASH' - Radio/Stereo Cassette, Universal (Philips) B, C, H		(M38345)			1
	NOTE:- INSTALLATION KIT Contains:- 1 X ESCUTCHEON. N.S.S. 1 X CONNECTOR BLOCK. N.S.S. 1 X LEAD & CONNECTOR ASM. - Receiver to main wiring harness 2 X SPRING CLIP. N.S.S.					
	INSTALLATION KIT - 'IN DASH' - Suit Cassette player M39047	(Philips) B, C, H			M39059	1
	INSTALLATION KIT - Cassette player, Universal	(Philips) B	(A) 8VK, 8VL		(M38281)	1
	INSTALLATION KIT - Cassette player, Universal	(Philips) C, H, K	(A) 8VK		(M38281)	1
	NOTE:- Use INSTALLATION KIT M38281 for Mounting M38251 to console on automatic vehicles. No Installation Kit is required when M38251 is mounted under dash.					
	INSTALLATION KIT - Cassette player to console	(Philips) B	8VK, 8VL		(M38199)	1
	INSTALLATION KIT - Cassette player to console	(Philips) C, H, K	8VK Console without Armrest		(M38199)	1
	NOTE:- Use INSTALLATION KIT M38199 for Mounting M38195, M38196 & M39044 to console. No Installation Kit is required when M38195, M38196 & M39044 are mounted under dash.					
	INSTALLATION KIT - Cassette player to console	(Philips) C, H, K	8VL Console with Armrest.....		M38389	1
	NOTE:- Use INSTALLATION KIT M38199 for Mounting M38195, M38196 & M39044 to console. No Installation Kit is required when M38195, M38196 & M39044 are mounted under dash.					
	INSTALLATION KIT	(Eurovox) C	(M38301) (M38682)		M38944	1
	INSTALLATION KIT	(Eurovox) H	8VK, 8VL		(M38682) M38944	1
	NOTE:- INSTALLATION KIT Contains:- 1 X BRACKET - Radio support. N.S.S. 1 X ESCUTCHEON. Refer 9.649. 4 X KNOB - Radio control. Refer 9.649. 2 X NUT - Escutcheon to receiver. N.S.S. 2 X PLATE - Retaining. N.S.S. 2 X SPACER - Escutcheon to retaining plate. N.S.S. 2 X SCREW. N.S.S. 1 X TOOL - Radio trimming. N.S.S. 2 X WASHER - Escutcheon to receiver. N.S.S. 2 X WASHER - Bracket to instrument panel. N.S.S.					
	INSTALLATION KIT	(Eurovox) H	8VX		(M38683) M38941	1
	NOTE:- INSTALLATION KIT Contains:- 1 X BRACKET - Radio support. N.S.S. 1 X ESCUTCHEON. Refer 9.649 4 X KNOB - Radio control. Refer 9.649 2 X NUT - Escutcheon to receiver. N.S.S. 2 X PLATE - Retaining. N.S.S. 2 X SPACER - Escutcheon to retaining plate. N.S.S. 2 X SCREW - Bracket to instrument panel. N.S.S. 1 X TOOL - Radio trimming. N.S.S. 2 X WASHER - Escutcheon to receiver. N.S.S. 2 X WASHER - Bracket to instrument panel. N.S.S.					



"V" SERIES PARTS CATALOGUE

GROUP	DESCRIPTION	SERIES	MODEL/OPTION	SIDE	PART No.	QTY.
10.002 BODY SHELL - Less doors & deck lid - In prime						
	BODY SHELL.....	B, C	Station Wagon (9945309) (92018081)		31)	1
	BODY SHELL.....	B, C	8VK, 8VL Sedan (9945311) (92018082)		31)	1
	BODY SHELL.....	B, C	8VX (9945312) (92018083)		31)	1
	BODY SHELL.....	H	Station Wagon (92018081)			1
	BODY SHELL.....	H	8VK, 8VL Sedan (92018082)			1
	BODY SHELL.....	H	8VX (92018083)			1
	BODY SHELL.....	K	Station Wagon (92022584)			1
	BODY SHELL.....	K	Sedan (92022586)			1
NOTE:- Extra brackets may be required, in addition to the Body Shells listed above, due to optional equipment which may be fitted						
10.027 GLASS - Windshield						
	GLASS - Laminated - Tinted.....	B, C, H (92004862)		92021563	1
	GLASS - Laminated - Tinted.....	K		92021563	1
10.051 TRIM - Front body pillar						
	TRIM - 10A, 11E, 11P, 11T, 11V, 11X, 11Y - Dark Grey.....	B, C (H485FY)	LH		1
		 (H484FY)	RH		1
	TRIM - 10B, 23E, 23P, 23T, 23V, 23X, 23Y - Dark Blue.....	B, C (H485FY)	LH		1
		 (H484GS)	RH		1
	TRIM - 10C, 33P, 33V, 33X, 33Y - Dark Green.....	B, C (H485FZ)	LH		1
		 (H484FZ)	RH		1
	TRIM - 10D, 63P, 63V, 63X, 63Y - Dark Buckskin.....	B, C (H485GA)	LH		1
		 (H484GA)	RH		1
	TRIM - 10E, 77P, 77V, 77X, 77Y - Dark Carmine.....	B, C (H485GB)	LH		1
		 (H484GB)	RH		1
	TRIM - 23X, 24V, 27V, 27X, 27Y - Light Blue.....	H	8VK, 8VL (K087GR)	LH		1
		 (K086GR)	RH		1
	TRIM - 34V, 37X - Sage Green.....	H	8VK, 8VL (K087FT)	LH		1
		 (K086FT)	RH		1
#	TRIM - 63V, 63X - Light Oyster.....	H	8VK, 8VL (K087HS)	LH		1
#		 (K086HS)	RH		1
	TRIM - 64V, 65X - Dark Buckskin.....	H	8VK, 8VL (K087GP)	LH		1
		 (K086GP)	RH		1
	TRIM - 74V, 77X - Dark Carmine.....	H	8VK, 8VL (K087GB)	LH		1
		 (K086GB)	RH		1
	TRIM - 79T - Dark Claret.....	H	8VK, 8VL (K087HF)	LH		1
		 (K086HF)	RH		1
	TRIM - 27V, 27Y - Light Blue.....	H	8VX (K089GR)	LH		1
		 (K088GR)	RH		1
	TRIM - 29V, 29Y - Deep Blue.....	H	8VX (K089HC)	LH		1
		 (K088HC)	RH		1
	TRIM - 39V, 39Y - Deep Green.....	H	8VX.....	LH	K089HD	1
		 (K088HD)	RH		1
#	TRIM - 63Y - Light Oyster.....	H	8VX (K089HS)	LH		1
#		 (K088HS)	RH		1
#	TRIM - 65V, 65Y - Buckskin.....	H	8VX (K089GP)	LH		1
#		 (K088GP)	RH		1
31. Refer Group 1.270 EXTENSION - Fender skirt. For VB, VC usage remove VH Extensions & replace with VB, VC Extensions as Catalogued.						

"V" SERIES PARTS CATALOGUE



GROUP	DESCRIPTION	SERIES	MODEL/OPTION	SIDE	PART No.	QTY.
10.240 HOUSING - Console - VC, VH, VK (M) (contd.)						
	HOUSING ASM. - 23X, 23Y, 24X, 25X - Cerulean - Unskinned.....	K	Console with Armrest fitted.....	65)	92023793HV	1
	HOUSING ASM. - 43X, 43Y, 45X - Avocado - Skinned.....	K	Console with Armrest fitted Use 92023793BA..... (92010762HX)	64)	92023793HX	1
	HOUSING ASM. - 43X, 43Y, 45X - Avocado - Skinned.....	K	Console with Armrest fitted (92026079HX)	65)		1
	HOUSING ASM. - 43X, 43Y, 45X - Avocado - Unskinned.....	K	Console with Armrest fitted.....	65)	92023793HX	1
	HOUSING ASM. - 63X, 64X, 65X, 63Y - Oyster - Skinned.....	K	Console with Armrest fitted (92010762HR)	64)		1
	HOUSING ASM. - 63X, 63Y, 64X, 65X - Oyster - Skinned.....	K	Console with Armrest fitted (92026079HR)	65)		1
	HOUSING ASM. - 63X, 63Y, 64X, 65X - Oyster - Unskinned.....	K	Console with Armrest fitted.....	65)	92023793HR	1
	HOUSING ASM. - 73Y, 74V, 75X - Copper - Skinned.....	K	Console with Armrest fitted (92010762KB)	64)		1
	HOUSING ASM. - 73Y, 74V, 75X - Copper - Skinned.....	K	Console with Armrest fitted.....	65)	92026079KB	1
	HOUSING ASM. - 73Y, 74V, 75X - Copper - Unskinned.....	K	Console with Armrest fitted.....	65)	92023793KB	1
	HOUSING ASM. - Black - Unskinned.....	K	Console with Armrest fitted.....	65)	92023793BA	1
10.240 COVER - Transmission control - (M) 4 Cyl. Eng.						
	COVER - 10A, 11E, 11P, 11T, 11V, 11X, 11Y - Dark Grey.....	C	Console with Armrest fitted.....		92010665FY	1
	COVER - 10B, 23E, 23P, 23T, 23V, 23X, 23Y - Dark Blue.....	C	Console with Armrest fitted.....		92010665GS	1
	COVER - 10C, 33P, 33V, 33X, 33Y - Dark Green.....	C	Console with Armrest fitted.....		92010665FZ	1
	COVER - 10D, 63P, 63V, 63X, 63Y - Dark Buckskin.....	C	Console with Armrest fitted.....		92010665GA	1
	COVER - 10E, 77P, 77V, 77X, 77Y - Dark Carmine.....	C	Console with Armrest fitted.....		92010665GB	1
#	COVER - 24V, 27V, 27X, 27Y, 29V, 29Y - Deep Blue.....	H	Console with Armrest fitted 4 Speed Transmission (92010665HC)			1
	COVER - 34V, 37X, 39V, 39Y - Deep Green.....	H	Console with Armrest fitted 4 Speed Transmission.....		92010665HD	1
#	COVER - 64V, 65V, 65X, 65Y - Dark Brown	H	Console with Armrest fitted 4 Speed Transmission (92010665HE)			1
	COVER - 74V, 77X, 79V, 79Y - Dark Claret.	H	Console with Armrest fitted 4 Speed Transmission.....		92010665HF	1
	COVER - 63V, 63X, 63Y - Oyster.....	H	Console with Armrest fitted 4 Speed Transmission.....		92010665HR	1
	COVER - 24V, 27V, 27X, 27Y, 29V, 29Y - Deep Blue.....	H	Console with Armrest fitted 5 Speed Transmission.....		92008680HC	1
	COVER - 34V, 37X, 39V, 39Y - Deep Green.....	H	Console with Armrest fitted 5 Speed Transmission.....		92008680HD	1
	COVER - 63V, 63X, 63Y - Oyster.....	H	Console with Armrest fitted 5 Speed Transmission.....		92008680HR	1
	COVER - 64V, 65V, 65X, 65Y - Dark Brown	H	Console with Armrest fitted 5 Speed Transmission.....		92008680HE	1

64. Console without hole for electric mirror switch
65. Console with hole for electric mirror switch

"V" SERIES PARTS CATALOGUE



GROUP	DESCRIPTION	SERIES	MODEL/OPTION	SIDE	PART No.	QTY.
10.527 INSERT - Door outside handle (contd.)						
	INSERT - Medium green (3053) 2C035.....	K	8VX.....		92022888ML	4
	INSERT - Medium red (3054) 1F086.....	K	8VX.....		92022888MK	4
NOTE:- Number shown in brackets is the exterior paint combination number. The number following the brackets is the paint specification number, Refer body identification plate.						
10.527 PLATE - Door paint protection						
	PLATE PACKAGE - Set of 4 - Chrome.....	B, C, H, K			92005557	1
	PLATE PACKAGE - Set of 4 - Black.....	H, K			M39636	1
	SCREW - Plate to door.....	B, C, H, K			SP2192	AR
10.529 ROD, CLIP, ADJUSTER, CLAMP, BUMPER - Door outside handle						
	ROD - Front door outside handle to lock.....	B, C, H, K			90045240	2
	ROD - Rear door outside handle to lock.....	B, C, H, K			90050983	2
	CLIP - Spring - Rod to handle.....	B, C, H, K			03467819	2
	ADJUSTER - Pull rod to outside handle.....	B, C, H, K			09279229	4
	CLIP - Door rod to lock.....	B, C, H, K			06235000	4
	BUMPER - Handle.....	B, C, H, K	(7978370)			2
10.537 GASKET - Outside door handle						
	GASKET.....	B, C, H	(03466678)		90059776	4
	GASKET.....	K			90059776	4
10.550 CYLINDER, LINK - Door locking						
	CYLINDER ASM. - With link - Coded.....	B, C, H, K			92001793	2
	LINK.....	B, C, H, K			90045562	2
	CYLINDER PACKAGE - Uncoded.....	B, C, H, K			92001791	2
10.551 RETAINER, SHIM - Door lock cylinder						
	RETAINER.....	B, C, H	(03466676)		92009550	2
	RETAINER.....	K			90069940	2
	SHIM - Door lock cylinder.....	B, C, H, K			03466677	2
10.556 SWITCH - Front door inside locking - Electric door locks						
NOTE:- Refer Group 10.485						
10.556 ROD, CLIP - Button type front door inside locking - Exc. Electric door locks						
	ROD - Lock to button.....	B, C, H		LH	92009557	1
				RH	92009556	1
	CLIP - Rod to lock.....	B, C, H			06235000	2
	ROD - Lock to button.....	K		LH	92009557	1
				RH	92009556	1
	CLIP - Rod to lock.....	K			06235000	2
10.556 ROD, CLIP - Sliding type front door inside locking - Exc. Electric door locks						
	ROD - Slider asm to lock.....	K			92029838	2
	CLIP - Spring - Rod to lock.....	K			03467819	2
10.556 ROD, PIVOT, RETAINER, PIN, CLIP - Front door inside locking - Electric door locks - Production						
	ROD - Slider asm to pivot.....	B, C		LH	90044383	1
	ROD - Slider asm to lock.....	B, C	(90045218)	LH	92029838	1
	ROD - Pivot to actuator.....	B, C		LH	90044380	1
	PIVOT - Rod actuating.....	B, C		LH	90054541	1
	RETAINER - Pivot.....	B, C		LH	09283485	1



"V" SERIES PARTS CATALOGUE

GROUP	DESCRIPTION	SERIES	MODEL/OPTION	SIDE	PART No.	QTY.
11.204	INSTALLATION PACKAGE - Rear window glass					
	INSTALLATION PACKAGE	K	Sedan		(92018612)	1
	NOTE:- OBTAIN DIRECT FROM:-					
	I.C.I. Sales offices in each State.					
	SYDNEY (Chester Hill) (02) 6458668					
	MELBOURNE (Deer Park) (03) 3618111					
	BRISBANE (Darra) (07) 3753599					
	ADELAIDE (Marleston) (08) 2928045					
	PERTH (North Fremantle) (09) 3368978					
	LAUNCESTON (City) (003) 3631588					
11.204	TRANSFER - Rear window glass					
	TRANSFER - 'HOLDEN AUSTRALIA'S DRIVING FUTURE'	B, C, H, K	Sedan		92024433	1
11.205	SHADE - Venetian					
	SHADE PACKAGE - Rear window	B, C, H	Station Wagon		92005052	1
	SHADE PACKAGE - Rear window	K	Station Wagon		92023980	1
	SHADE PACKAGE - Rear quarter window	B, C, H, K	Station Wagon		92005054	1
	SHADE PACKAGE - Rear window	B, C, H, K	Sedan		92005053	1
	SHADE PACKAGE - Rear quarter window - Horizontal louvre type	K	Sedan		M39098	1
	SHADE PACKAGE - Rear quarter window - Vertical louvre type	K	Sedan		M39106	1
11.207	CHANNEL - End gate glass					
	NOTE:- Refer Group 12.180					
11.207	CHANNEL - Rear window glass					
	CHANNEL	B	Sedan		90043498	1
	CHANNEL	C, H	8VK, 8VL Sedan		90043498	1
	CHANNEL	C, H	8VX Sedan		92008322	1
	CHANNEL	K	8VK, 8VL Sedan	73)	92020814	1
	CHANNEL - Suit insert	K	8VK, 8VL Sedan	73)	90043498	1
	CHANNEL	K	8VK, 8VL Sedan	74)	92008322	1
	CHANNEL	K	8VX		92008322	1
11.208	INSERT - Glass channel					
	INSERT - 15m Roll	B	Sedan		M38457	1
	INSERT - Upper - 1.07m long	B	Sedan	(92005996)		1
	INSERT - Lower - 1.427m long	B	Sedan	(92005997)		1
	INSERT - Side - .545m long	B	Sedan	(92005998)		2
	INSERT - 15m Roll	C, H	Sedan		M38457	1
	INSERT - Upper - 1.07m long	C, H	Sedan	(92005996)		1
	INSERT - Lower - 1.427m long	C, H	Sedan	(92005997)		1
	INSERT - Side - .545m long	C, H	Sedan	(92005998)		2
	NOTE:- Cut required length from INSERT ROLL P/N M38457.					
	INSERT - Upper - 1.07m long - Black	K	8VK, 8VL Sedan		92005996B	1
	INSERT - Lower - 1.427m long - Black	K	8VK, 8VL Sedan		92005997B	1
	INSERT - Side - .545m long - Black	K	8VK, 8VL Sedan		92005998B	2
11.208	MOULDING, CLAMP - End gate window					
	NOTE:- Refer Group 12.182					

73. Exc. Ornamentation Package. P.O. B57
 74. With Ornamentation Package. P.O. B57 fitted to
 P.O.XX4, V9S Export Vehicles

"V" SERIES PARTS CATALOGUE



GROUP	DESCRIPTION	SERIES	MODEL/OPTION	SIDE	PART No.	QTY.
12.112 TRANSFER - Front & rear door						
	TRANSFER - White & Silver - (Covers rear of front wheel arch, front & rear door & Vacationer name).....	H	Vacationer (92017860)	LH		1
		 (92017859)	RH		1
	TRANSFER - Light Blue & Dark Blue - (Covers rear of front wheel arch, front & rear door & Vacationer name).....	H	Vacationer	LH	92017865	1
				RH	92017864	1
NOTE:- For other Transfers, Striping. Refer Group 10.354 - TRANSFER, STRIPING - Body side.						
12.114 MOULDING - Rear door window frame						
NOTE:- Refer Group 10.772						
12.114 MOULDING & WEATHERSTRIP - Rear door belt						
NOTE:- Refer Group 10.772						
12.114 MOULDING, CLIP - Rear door side						
	MOULDING - Clip on type	B	LH	90045323	1
				RH	90045324	1
	CLIP - Moulding	B		90045563	8
	SCREW - Moulding	B		SP2495	8
	MOULDING - Stick on type	C	LH	92009999	1
				RH	92009998	1
	MOULDING - Stick on type	H	Exc. 'SS' Commodore	LH	92013683	1
				RH	92013682	1
	MOULDING - Warm (Dark) Grey	K	8VK, 8VL exc. 'SS' Commodore	LH 73)	92018243KF	1
				RH 73)	92018242KF	1
	MOULDING - Cool (Light) Grey	K	8VK, 8VL exc. 'SS' Commodore	LH 73)	92018243KG	1
				RH 73)	92018242KG	1
	MOULDING - Silver	K	8VK, 8VL Sedan	LH 74)	92018245FU	1
				RH 74)	92018244FU	1
	CLIP - Moulding to door	K	8VK, 8VL Sedan	74)	92018347	6
	RETAINER - Moulding to door	K	8VK, 8VL Sedan	74)	92020328	8
	BUSH - Moulding to door	K	8VK, 8VL Sedan	74)	9939905	8
	SCREW - Moulding to door - Use when there are no studs in door	K	8VK, 8VL Sedan	74)	SP2495	12
	SCREW - Moulding to door	K	8VK, 8VL Sedan	74)	190075	2-4
	WASHER - Moulding to door	K	8VK, 8VL Sedan	74)	7432966	2-4
	NUT - Moulding to door	K	8VK, 8VL Sedan	74)	SP2443	2-4
	MOULDING - Silver	K	8VX	LH	92018245FU	1
				RH	92018244FU	1
	CLIP - Moulding to door	K	8VX		92018347	6
	RETAINER - Moulding to door	K	8VX		92020328	8
	BUSH - Moulding to door	K	8VX		9939905	8
	SCREW - Moulding to door - Use when there are no studs in door	K	8VX		SP2495	12
	SCREW - Moulding to door	K	8VX		190075	2-4
	WASHER - Moulding to door	K	8VX		7432966	2-4
	NUT - Moulding to door	K	8VX		SP2443	2-4
12.114 STRIP - Rear door side moulding finisher						
	STRIP	K	8VX	LH	92020277	1
				RH	92020276	1

73. Exc. Ornamentation Package. P.O. B57
 74. With Ornamentation Package. P.O. B57 fitted to P.O.XX4, V9S Export Vehicles



"V" SERIES PARTS CATALOGUE

GROUP	DESCRIPTION	SERIES	MODEL/OPTION	SIDE	PART No.	QTY.
12.805	PANEL - Front pillar NOTE:- Refer Group 12.840					
12.807	FRAME - Windshield upper FRAME.....	B, C, H, K			90043441	1
12.809	HOSE, GROMMET - Sunroof drain hose HOSE - Front drain..... GROMMET - Front drain hose upper..... HOSE - Rear drain..... GROMMET - Rear drain hose lower.....	K	Sedan..... Sedan..... Sedan..... Sedan.....		92024624 92024702 92024625 92024703	2 2 2 2
12.810	PANEL - Roof PANEL..... PANEL - With 2mm wider flange..... PANEL..... PANEL..... PANEL - With 2mm wider flange.....	B, C, H, K B, C, H, K B, C, H K K	Station Wagon (90055885) Station Wagon..... Sedan..... Sedan..... Sedan (92031181)		90246607 79) 90246607 90043003 92018091 79) 92018091	1 1 1 1 1
12.810	SEAL - Sunroof SEAL - Roof panel.....	K	Sedan (VS16358)			1
12.811	MOTOR, MODULE, SWITCH, FUSE - Sunroof MOTOR - Drive..... MODULE ASM..... # SWITCH ASM..... LEAD ASM. - Main wiring harness to sunroof harness..... CIRCUIT BREAKER - 20 amp..... SCREW - Circuit breaker attaching..... FUSE - 20 amp.....	K K K K K K K	Sedan..... Sedan (VS16360) Sedan (VS16359) Sedan..... Sedan..... Sedan..... Sedan.....		VS16357 92024158 92024633 6288181 M33100	1 1 1 1 1 1 1
12.815	RACK - Roof luggage \$ RACK - 2 bar type (Rainsford) LUGGAGE RACK PACKAGE (Rainsford) BAR ASM. - Side O.L. 1249mm (Rainsford) BAR ASM. - Side O.L. 1223.5mm (Rainsford) TEE - Cross bar to side bar (Rainsford) SLAT (Rainsford) SCREW - Slat (Rainsford) SLAT (Rainsford) NUTSERT - Bracket to roof panel (Rainsford) SMALL PARTS KIT (Rainsford)	B, C, H, K B, C B, C B, C B, C B, C B, C B, C B, C Station Wagon Use 92021375 (92011204) Station Wagon..... Station Wagon..... Station Wagon (M38391) Station Wagon (92011200) Station Wagon (SP3141) Station Wagon (92011200) Station Wagon..... Station Wagon (M38275)		M39900 M38290 92011225 163450 SP2865	1 1 1 AR AR 4 AR 20 AR 8 1
	NOTE:- SMALL PARTS KIT Contains:- 4 X GASKET. 4 X SCREW. 8 X SCREW - Bracket attaching. 8 X NUTSERT - Bracket to roof panel. 20 X SCREW - Slat attaching. 1 X WASHER. 1 X NUT.					
79.	Where this Part is used to service current or past models prior to November 85, Windshield Channel P/N 92030190 must be used (8VK & 8VL models only) or the Part reworked by removing 2mm from windshield opening flange edge					



"V" SERIES PARTS CATALOGUE

GROUP	DESCRIPTION	SERIES	MODEL/OPTION	SIDE	PART No.	QTY.
14.630 FASTENER - Cowl side panel lower trim (contd.)						
	FASTENER - 10E, 77P, 77T, 77V, 77X, 77Y - Dark Carmine.....	B, C			92004603GB	2
	FASTENER - 23X, 24V, 27V, 27X, 27Y, 29V, 29Y - Deep Blue.....	H			92004603HC	2
	FASTENER - 34V, 37X, 39V, 39Y - Deep Green.....	H			92004603HD	2
	FASTENER - 63X - Oyster.....	H			92004603HR	2
	FASTENER - 64V, 65V, 65X, 65Y - Dark Brown.....	H			92004603HE	2
	FASTENER - 74V, 77X, 79T, 79V, 79Y - Dark Claret.....	H			92004603HF	2
	FASTENER - 15V, 15P, 15X, 15X - Dark Grey.....	K			92004603LV	2
	FASTENER - 23Y, 24X, 25X - Cerulean.....	K			92004603HV	2
	FASTENER - 43Y, 44X, 45X - Avocado.....	K			92004603HX	2
	FASTENER - 63V, 63Y, 64X, 65X - Oyster..	K			92004603HR	2
	FASTENER - 73Y, 74V, 75X - Copper.....	K			92004603KB	2
14.640 HEADLINING						
	HEADLINING ASM. - 11E, 11T, 11V, 11X - Light Grey.....	B, C	Station Wagon (92001347FX)			1
	HEADLINING ASM. - 23E, 23T, 23V, 23X - Light Blue.....	B, C	Station Wagon (92001347GR)			1
	HEADLINING ASM. - 33V, 33X - Sage Green.....	B, C	Station Wagon (92001347FT)			1
	HEADLINING ASM. - 63V, 63X - Buckskin...	B	Station Wagon (92001347GP)			1
	HEADLINING ASM. - 63P, 63V, 63X - Buckskin.....	C	Station Wagon (92001347GP)			1
	HEADLINING ASM. - 77P, 77V, 77X - Dark Carmine.....	B, C	Station Wagon (92001347GB)			1
	HEADLINING ASM. - 11V, 11X, 33P, 33V, 33X - Light Grey.....	B, C	8VK, 8VL Sedan (92002429FX)			1
	HEADLINING ASM. - 23E, 23P, 23T, 23V, 23X - Light Blue.....	B, C	8VK, 8VL Sedan (92002429GR)			1
	HEADLINING ASM. - 33P, 33V, 33X - Sage Green.....	B, C	8VK, 8VL Sedan (92002429FT)			1
	HEADLINING ASM. - 63V, 63X - Buckskin...	B	8VK, 8VL Sedan (92002429GP) (92011929GP)			1
	HEADLINING ASM. - 63P, 63V, 63X - Buckskin.....	C	8VK, 8VL Sedan (92002429GP) (92011929GP)			1
	HEADLINING ASM. - 77P, 77V, 77X - Dark Carmine.....	B, C	8VK, 8VL Sedan..... (92002429GB)			1
	HEADLINING ASM. - 11Y - Light Grey - Velour.....	B	8VX (92004820FX)			1
	HEADLINING ASM. - 23Y - Light Blue - Velour.....	B	8VX (92004820GR)			1
	HEADLINING ASM. - 33Y - Sage Green - Velour.....	B	8VX (92004820FT)			1
	HEADLINING ASM. - 63Y - Buckskin - Velour.....	B	8VX (92004820GP)			1
	HEADLINING ASM. - 77Y - Dark Carmine - Velour.....	B	8VX (92004820GB)			1
	HEADLINING ASM. - 11V, 11Y - Light Grey - Velour.....	C	8VX (92011929FX)			1
	HEADLINING ASM. - 23V, 23Y - Light Blue - Velour.....	C	8VX (92011929GR)			1
	HEADLINING ASM. - 33V, 33Y - Sage Green - Velour.....	C	8VX (92011929FT)			1
	HEADLINING ASM. - 63V, 63Y - Buckskin - Velour.....	C	8VX (92011929GP)			1

CLICK HERE TO **DOWNLOAD** THE COMPLETE MANUAL

- Thank you very much for reading the preview of the manual.
- You can download the complete manual from: www.heydownloads.com by clicking the link below



- Please note: If there is no response to CLICKING the link, please download this PDF first and then click on it.

CLICK HERE TO **DOWNLOAD** THE COMPLETE MANUAL