
BELARUS ***2022.5***

2022.5-0000010KDS

CATALOGUE OF PARTS AND ASSEMBLY UNITS

CLICK HERE TO **DOWNLOAD** THE COMPLETE MANUAL

- Thank you very much for reading the preview of the manual.
- You can download the complete manual from: www.heydownloads.com by clicking the link below



- Please note: If there is no response to CLICKING the link, please download this PDF first and then click on it.

CLICK HERE TO **DOWNLOAD** THE COMPLETE MANUAL

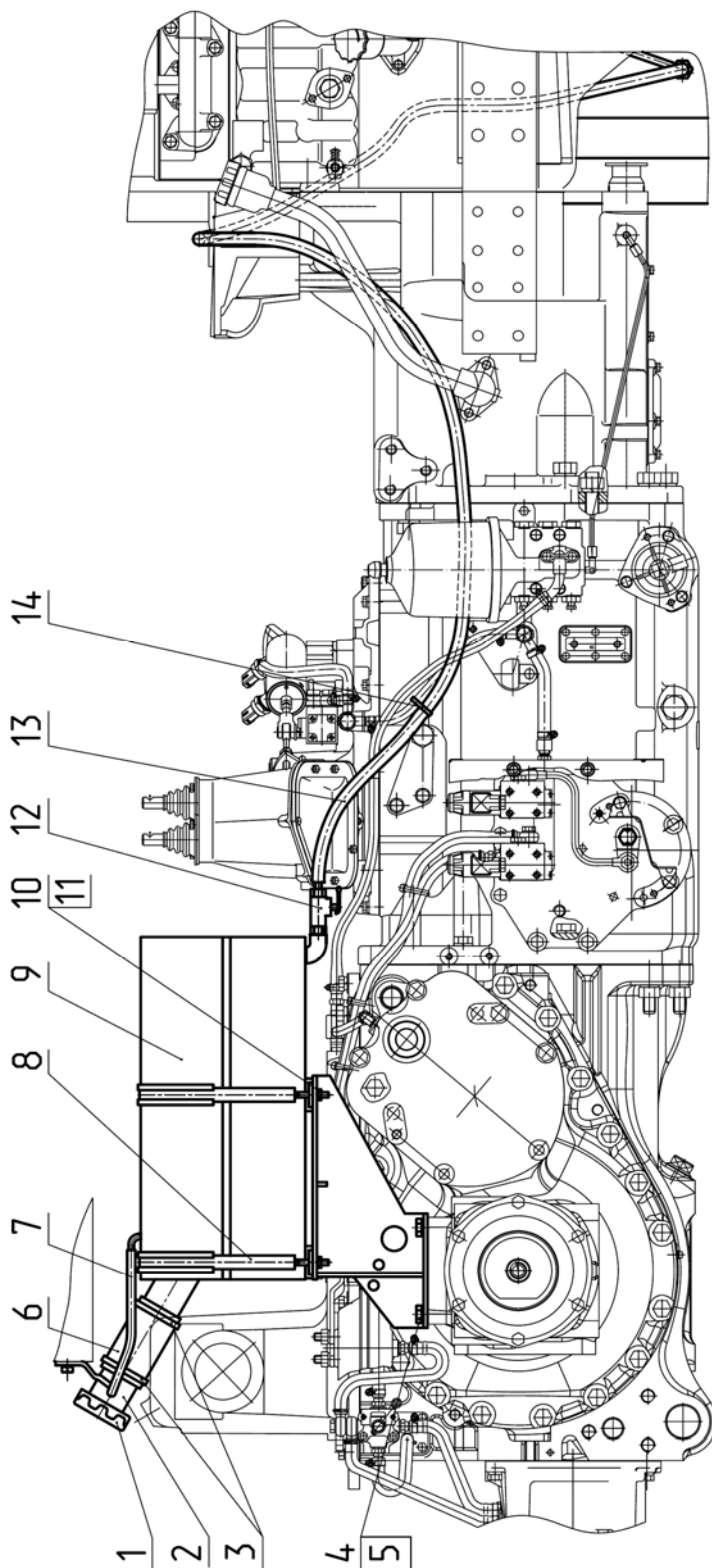


Fig. 11.1 Fuel tanks

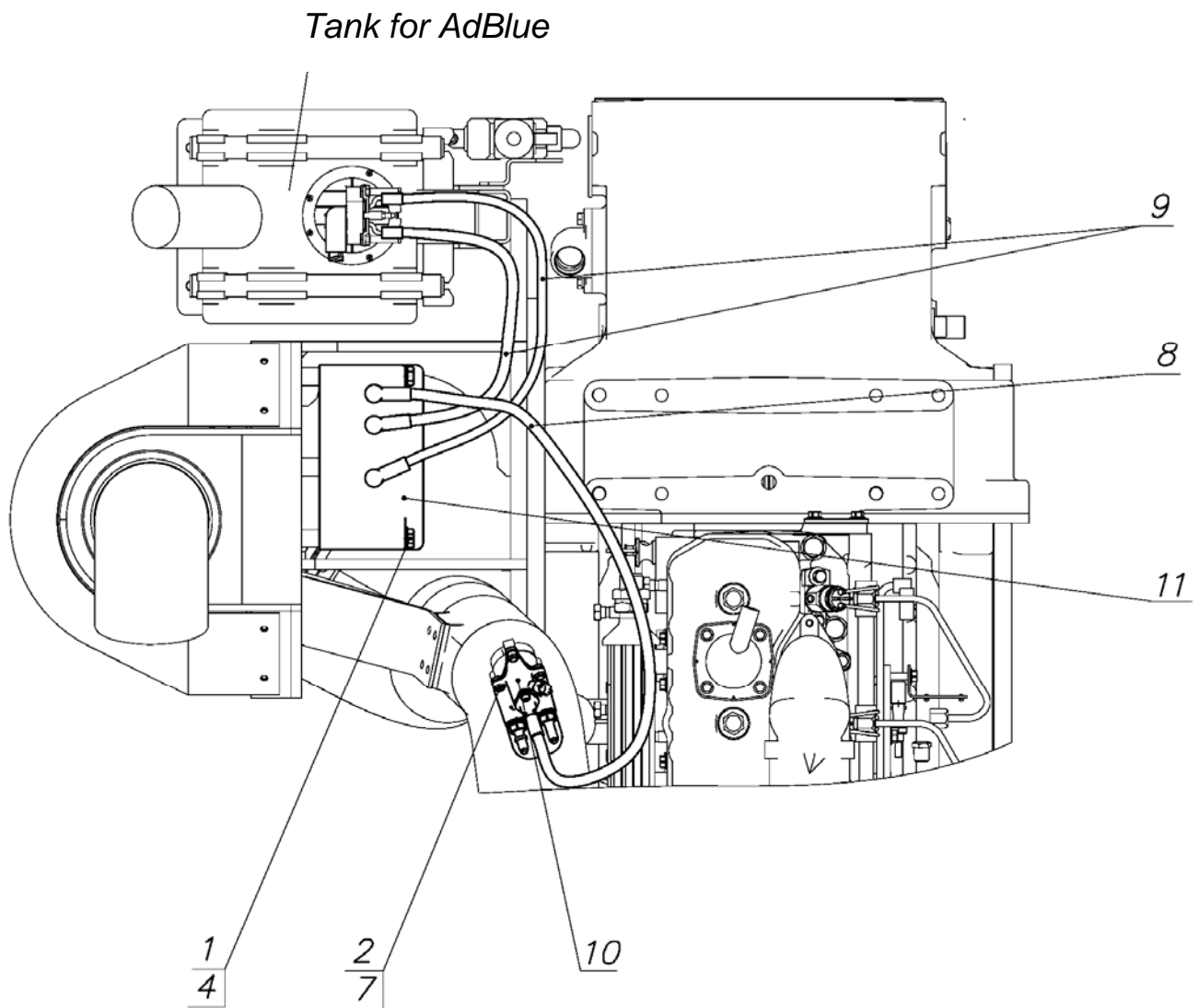


Fig. 12.2 Feed system

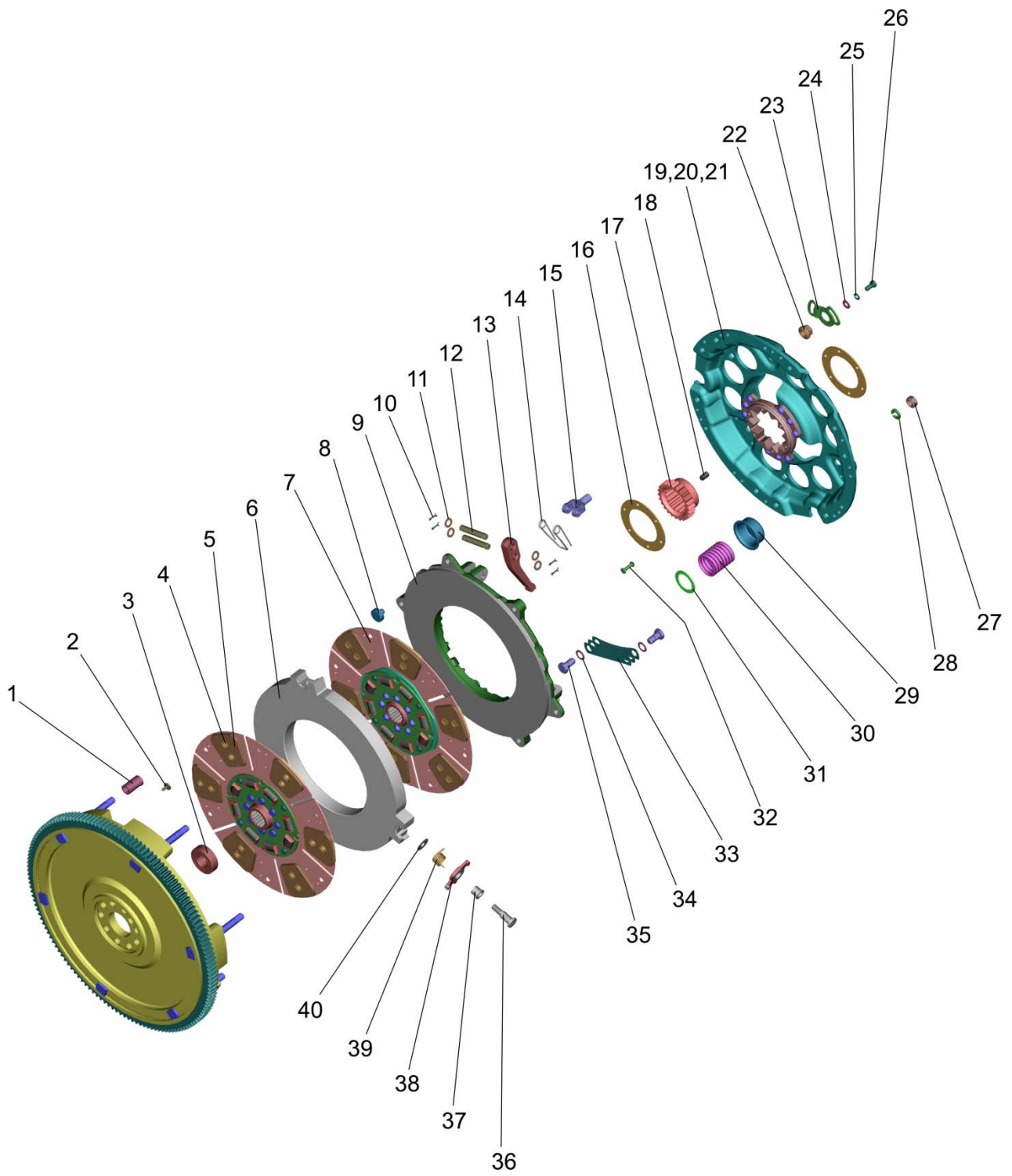


Fig. 16.1 Clutch assembly

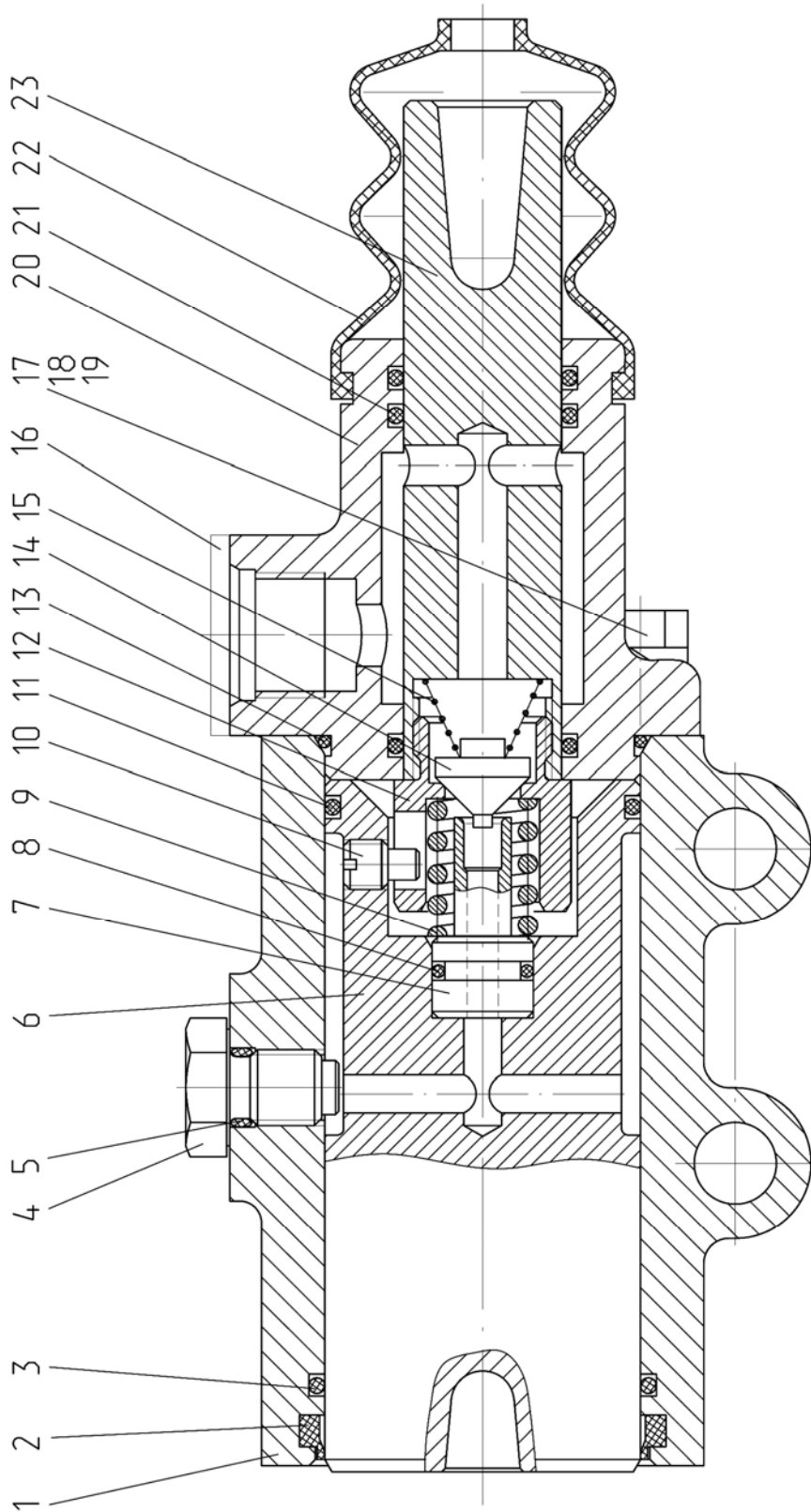


Fig. 16.5 Hydraulic booster

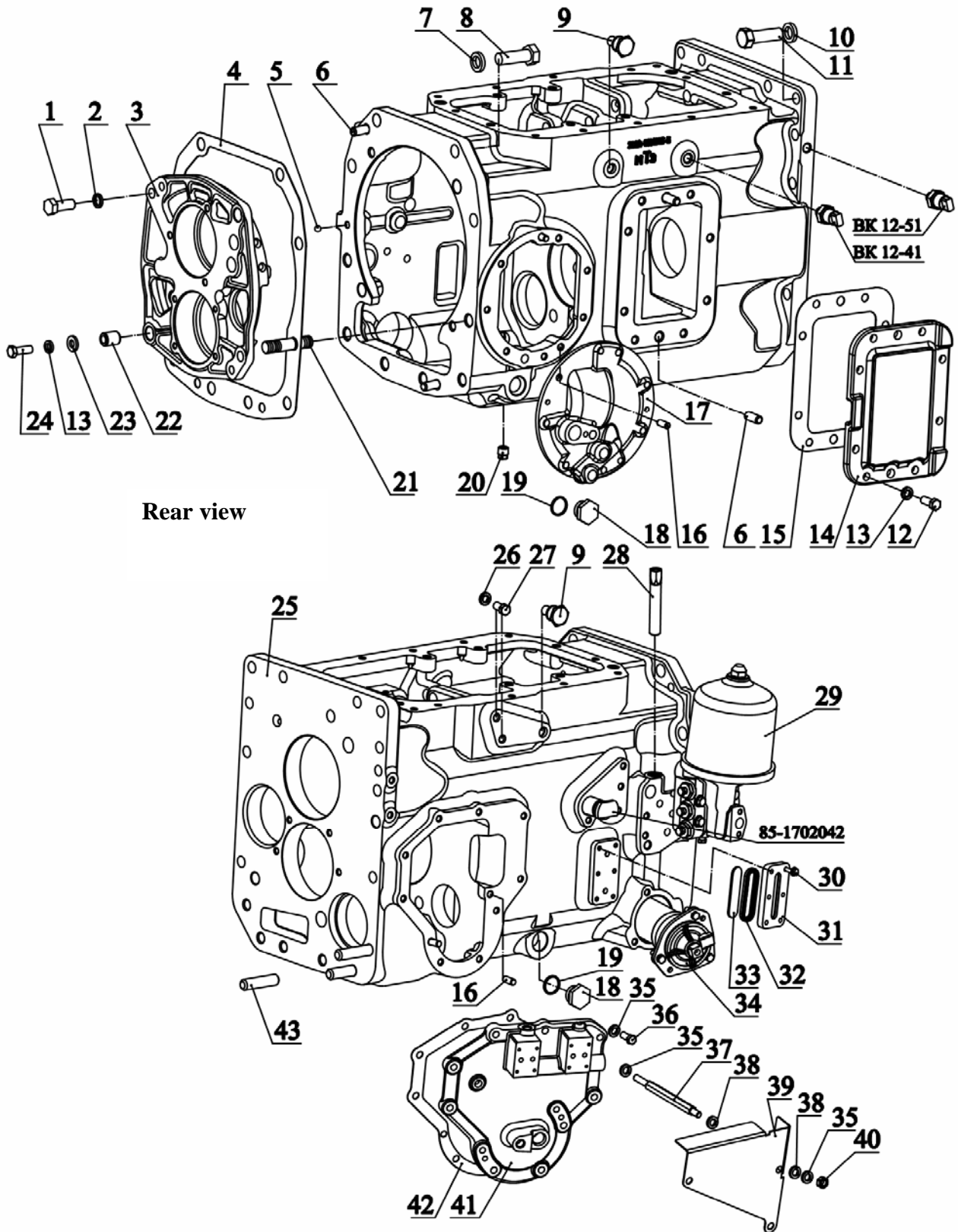


Fig. 17.1 Gearbox 2022-17100010 (24F+12R)

**Group 17. Gearbox
Subgroup 1701. Low gears and reverse shaft**

Fig.No	Pos.No	Assembly unit or part number	Q-ty	Description
17.5 17.6	1	2022-1701344	1	Gear
	2	48A-3801023	1	Pipe
	3	70-1115012	1	Clamp
	4	80-1701057	1	Fitting
	5	80-1701549	3	Fitting
	6	80-1701420	1	Pipe
	7		2	Bolt M8-6gx25.88.35.019 GOST 7796-70
	8		2	Washer 8T OST 37.001.115-75
	9	2022-1701049	1	Nut
	10	VZK 9212.03	1	Bearing SKF NUP 308 EC or Bearing SKF NUP 308 ECP or Bearing SKF NUP 308 EG15
	11	2022-1701317	1	Body
	12	2022-1701340-A	1	Gear
	13	2022-1701325-A	1	Shaft
	14	2022-1701307	1	Clip ring
	15	2022-1701306-A	1	Bushing
	16	2022-1701310	1	Body
	17	80-1701430	1	Pipe
	18		1	Ring S45 GOST 13940-86
	19		1	Ring 2S75 GOST 13940-86
	20	2022-1701346	1	Bushing
	21		2	Bearing 692309KM GOST 8328-75
	22	2022-1701305	1	Washer
	23	2022-1701351	1	Gear
	24	54-31-472	1	Clip ring
	25	2022-1701339-B	1	Bushing
	26	80-1701396	1	Ring
	27	80-1701045	1	Nut
	28	80-1701205	2	Strip
	29		4	Bolt M10-6gx30.88.35.019 GOST 7796-70
	30		4	Washer 10 OT OST 37.001.115-75
	31		2	Bearing KK 52x60x39E (664910E) TU RB 00234873.003-99
	32	2022-1701361	1	Gear
	33	2022-1701330	1	Shaft
	34	2022-1701343	1	Coupling
	35	2022-1701352	1	Bushing
	36	85-1702041	1	Rocker arm
	37		1	Ring 026-030-25-2-2 GOST 18829-73/GOST9833-73
	38	85-1702042	1	Axle
	39	85-1702043	1	Plate
	40		1	Washer 10 OT OST 37.001.115-75
	41		1	Bolt M10-6gx20.88.35.019 GOST 7796-70
	42		3	Ball 10,0-60 GOST 3722-81
	43	85-1702050	1	Carrier
	44	85-1702045	2	Carrier
	45	80-1702108	2	Bolt
	46		800 mm	Wire 1,6-0-S GOST 3282-74

**Group 17. Gearbox
Subgroup 1702. Gearbox control mechanism**

Fig.No	Pos.No	Assembly unit or part number	Q-ty	Description
17.9 17.10 17.11	49		1	Light-emitting diode AL 307 HM aA0.336.076 TU (yellow)
	50		1	Light-emitting diode AL 307 KM aA0.336.076 TU (red)
	51		2	Switch VK 12-1 TSIKS.642241.001 TU
	52		1	Nut M12x1,25-6H.6.019 GOST 5915-70
	53	75-1702505	1	Handle
	54	1222-1702074	1	Bushing
	55		2	Ring S25 GOST 13940-86
	56		2	Bolt M10-6gx40.88.35.019 GOST 7798-70
	57	80-1702078-A	1	Housing
	58	80S-1702060	1	Shaft
	59	1222-1702070	1	Shaft
	60		14	Bolt M10-6gx35.88.35.019 GOST 7798-70
	61	80C-1702066	1	Gasket
	62	1222-1702064	2	Bushing
	63	80-4608057	1	Spring
	65	80-1702068	1	Gasket
	66	80-1702067	1	Cover
	67		7	Bolt M6-6gx16.88.35.019 GOST 7798-70
	68		1	Washer 18 OT OST 37.001.115-75
	69	1222-1702096-B	1	Axle
	70		1	Split pin 3,2x25.019 GOST 397-79
	71		1	Washer S.16.01.019 GOST 11371-79
	72	2102-4216110-B	1	Cylinder
	73		3	Nut M10-6H.04.019 GOST 5916-70
	74	2022-1702094	1	Stud
	75	822-3502203	1	Fork
	76		8	Washer 12 OT OST 37.001.115-75
	77		1	Bolt M12-6gx35.88.35.019 GOST 7796-70
	78	1222-1702092	1	Lever
	79	1222-1702130	2	Oil pipeline
	80	1222-1702114	2	Fitting
	81		2	Ring 009-012-19-1-4 GOST 18829-73/GOST 9833-73
	82		2	Sensor DSDM-M TU RB 07513211.004-94
	83		4	Washer 5 T OST 37.001.115-75
	84		4	Screw V.M5-6gx50.58.019 GOST 17473-80
	85	B50-3522023	1	Gasket
86	85-1702270	1	Breather	
87		2	Dowel 8x16 GOST 3128-70	
88		1	Collar 2.2-25x42-1 GOST 8752-79/OST 3805146-78	
89	85-1702051	1	Washer	
90	2022-1702093	1	Bolt	
91	2022-1702090-B	1	Bracket	
92	2022-1702142	2	Stud	
93		2	Nut M10-6H.6.019 GOST 5915-70	
94	1222-1702048	1	Screw	
95		1	Switch BK 12-41 TU RB 37334210.015-97	
96	50-1702048	10	Shim washer	

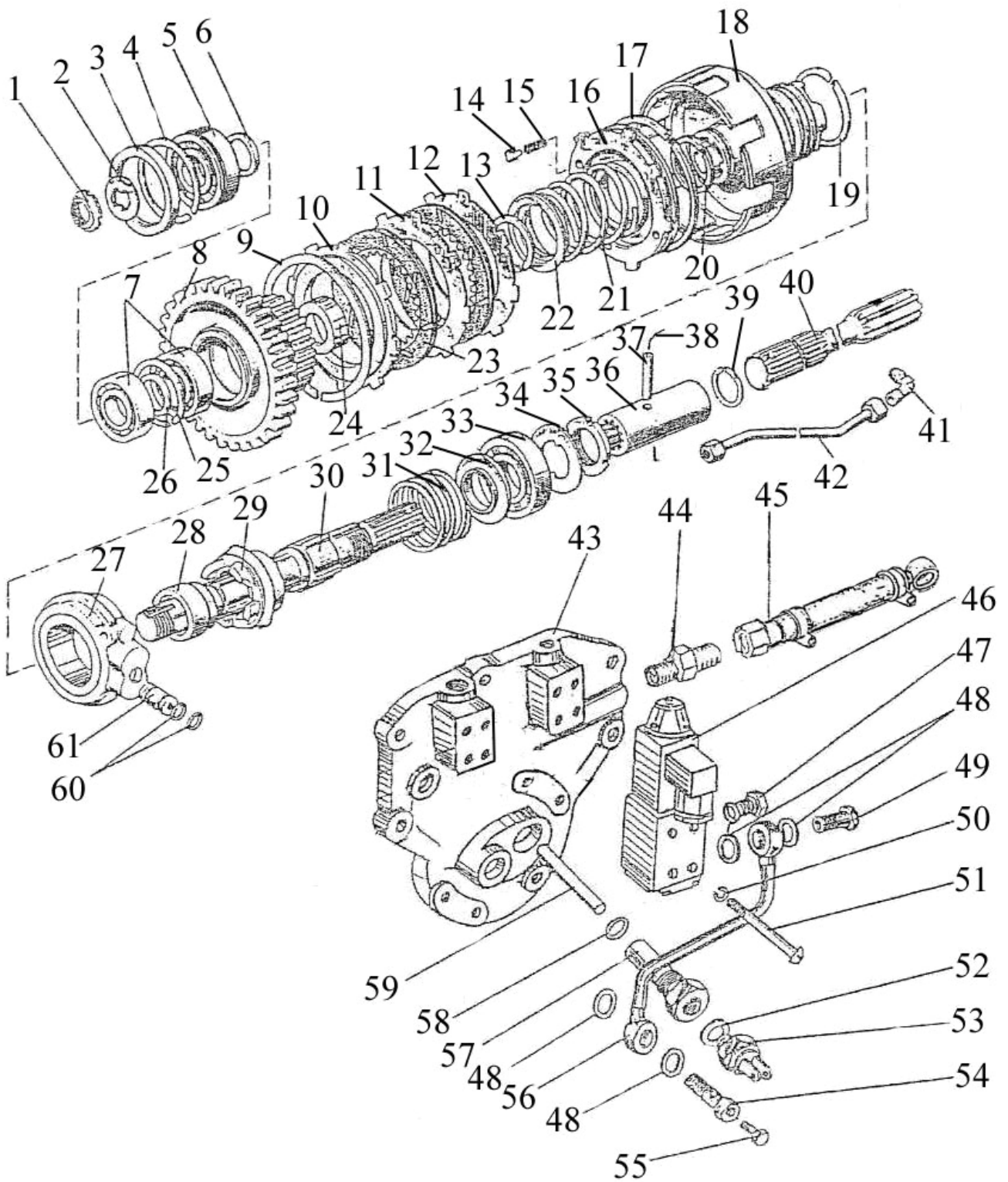


Fig. 18.1 Front driving axle drive

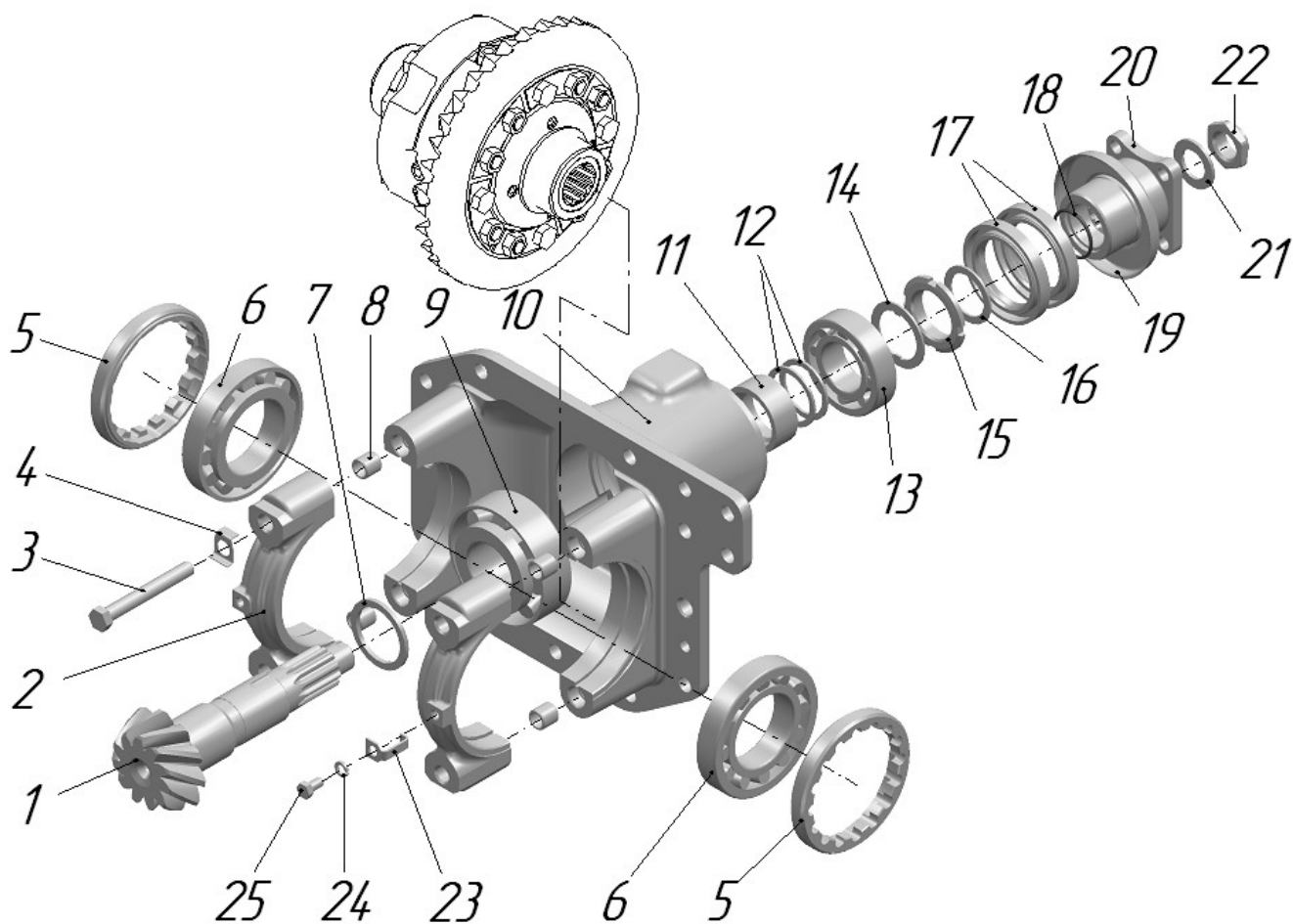


Fig. 23.2 Front driving axle. Central gear unit.

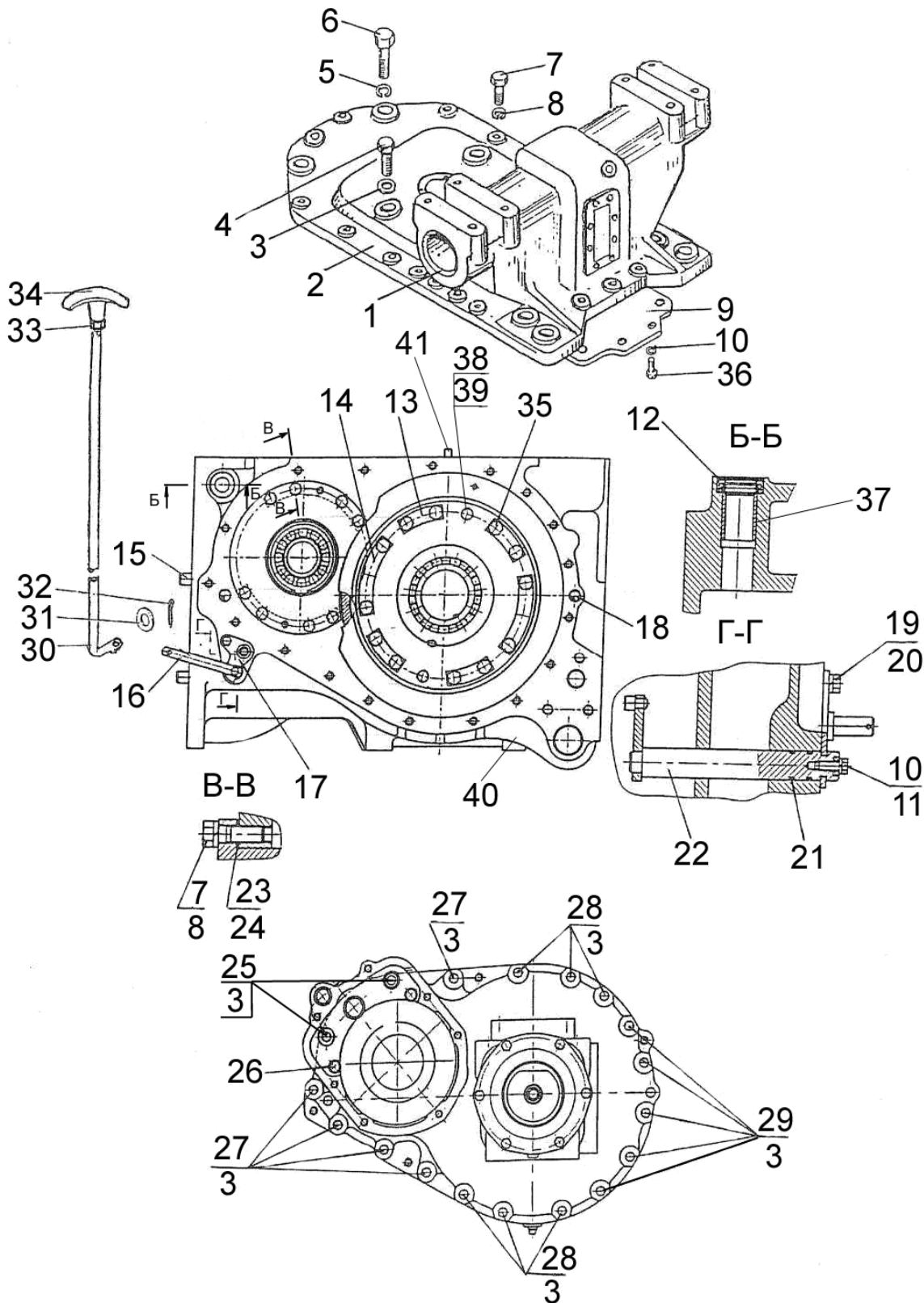


Fig. 24.2 Rear axle housing. Final drive. Shutdown mechanism of separate PTO drive.

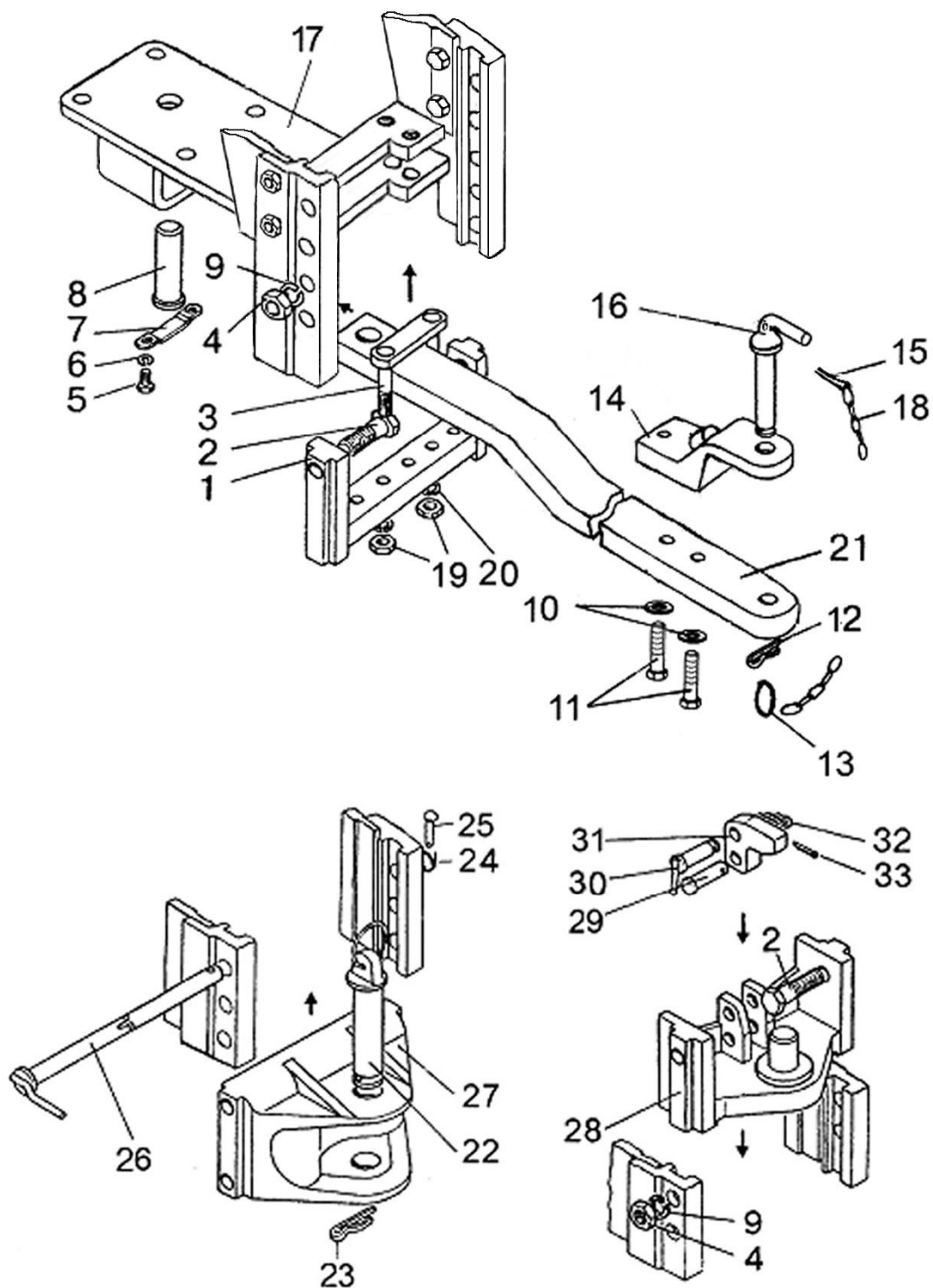


Fig. 27.2. Drawbar hitch (configuration variants)

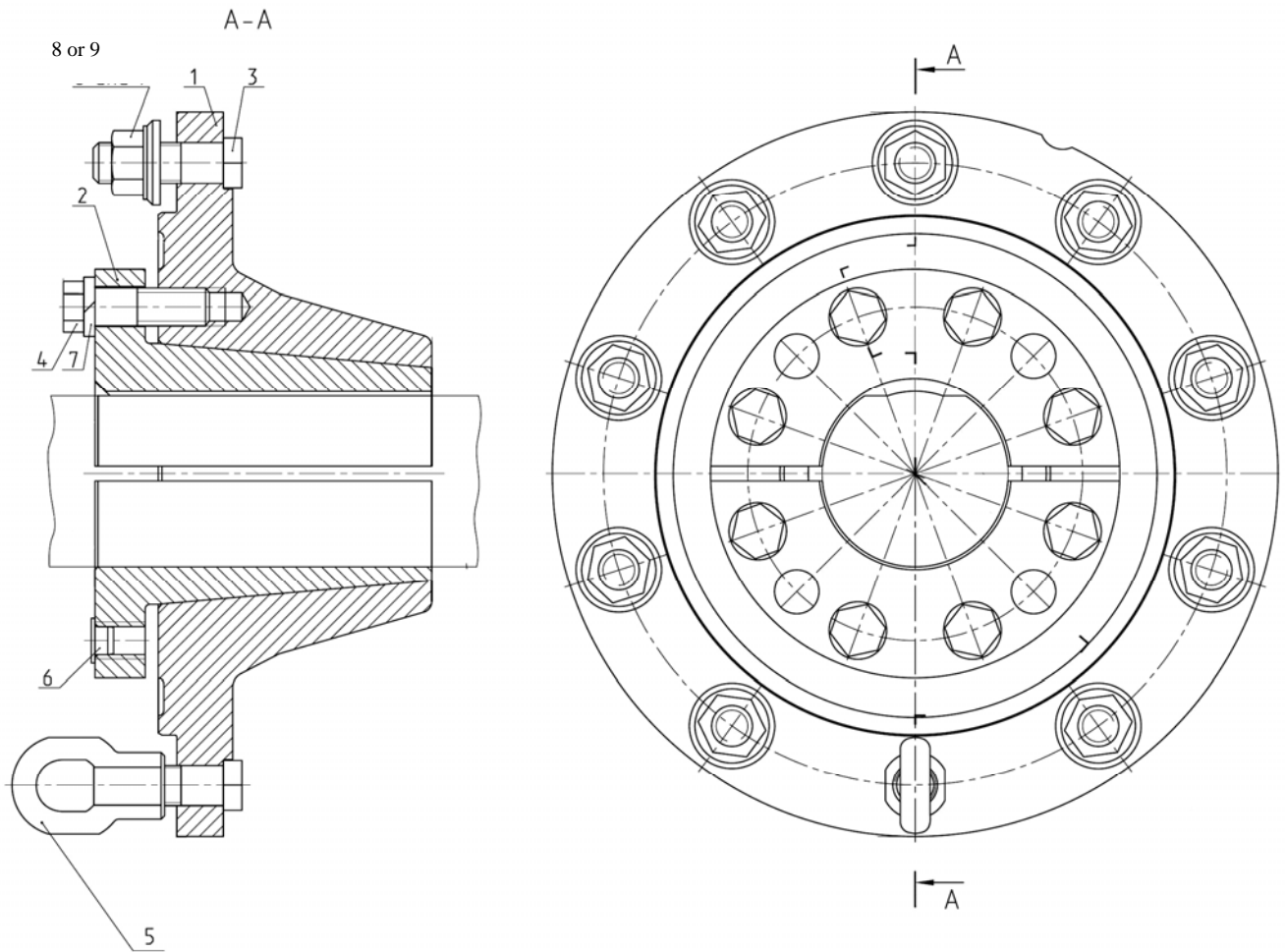


Fig. 31.5 Hub

**Group 34. Steering
Subgroup 3407. Hydrostatic power steering**

Fig.No	Pos.No	Assembly unit or part number	Q-ty	Description
34.4		2022-3400010-B	1	Hydrostatic power steering
34.5	1	2022-3407035-A	1	Oil pipeline
	2	2022-3407055	2	Oil pipeline
	5	1221-3407020	1	Oil pipeline
	6	3022V-3407170	1	Oil pipeline
	7	2522V-3407085-01	1	Oil pipeline
	8	680-4607140-06	1	High-pressure hose Ø10x1 reinforced (L=800 mm)
	10	680-4607140-13	1	High-pressure hose Ø10 reinforced
	11	923-3407100	1	Tank
	12	952-3407100-12	2	High-pressure hose Ø8x1 reinforced (L=485 mm)
	13	1221-3407140-A-01	1	Valve
	15	1522V-3407100-06	1	High-pressure hose (L=420 mm)
	18	A37.08.045-08	1	Sealant (L=500 mm)
	19	680-4607140-11	2	High-pressure hose Ø10x1 reinforced (L=730 mm)
	20	1524-3405210	2	Hydraulic cylinder assy
	25	2022-3407011-B	1	Pipe
	26	2022-3407201-B	2	Fitting
	27	2022-3407202-A	4	Swivel angle piece
	29	3022DV-3407127	1	Bushing
	30	1522-3407016	2	Fitting
	31	1522-3407017	1	Bracket
	32	1221-1802091	1	Screw plug
	33	1221-3407012-05	1	Hose (L=540 mm)
	34	1221-3407013	1	Bracket
	35	952-3407014-07	1	Hose (L=1150 mm)
	36	952-3407014-06	1	Hose (L=730 mm)
	37	530-4614029	1	Angle piece
	38	102-3407014	1	Clip
	39	85-3407105	1	Bolt
	40	85-3407105-03	1	Bolt
	41	85-3407107	1	Strip
	42	80V-3407012	1	Bracket
	43	F80-3407301	2	Bolt
	44	80-3723045	1	Collar
	47	70-3407144	2	Threaded strip
	48	70-3407146	5	Strip
	49	70-4607158	2	Gasket
	50	70-3407163	1	Clip
	52	70-3506027	9	Bushing
	53	50-4608027-V	1	Plug
	60		3	Bolt M8-6gx45.88.35.019 GOST 7795-70
	61		1	Bolt M8-6gx20.88.35.019 GOST 7796-70
	62		1	Bolt M8-6gx25.88.35.019 GOST 7796-70
	63		4	Bolt M8-6gx30.88.35.019 GOST 7796-70
	64		3	Bolt M8-6gx35.88.35.019 GOST 7796-70
	65		1	Bolt M10-6gx25.88.35.019 GOST 7796-70
	66		2	Bolt M16-6gx32.88.35.019 GOST 7796-70

CLICK HERE TO **DOWNLOAD** THE COMPLETE MANUAL

- Thank you very much for reading the preview of the manual.
- You can download the complete manual from: www.heydownloads.com by clicking the link below



- Please note: If there is no response to CLICKING the link, please download this PDF first and then click on it.

CLICK HERE TO **DOWNLOAD** THE COMPLETE MANUAL

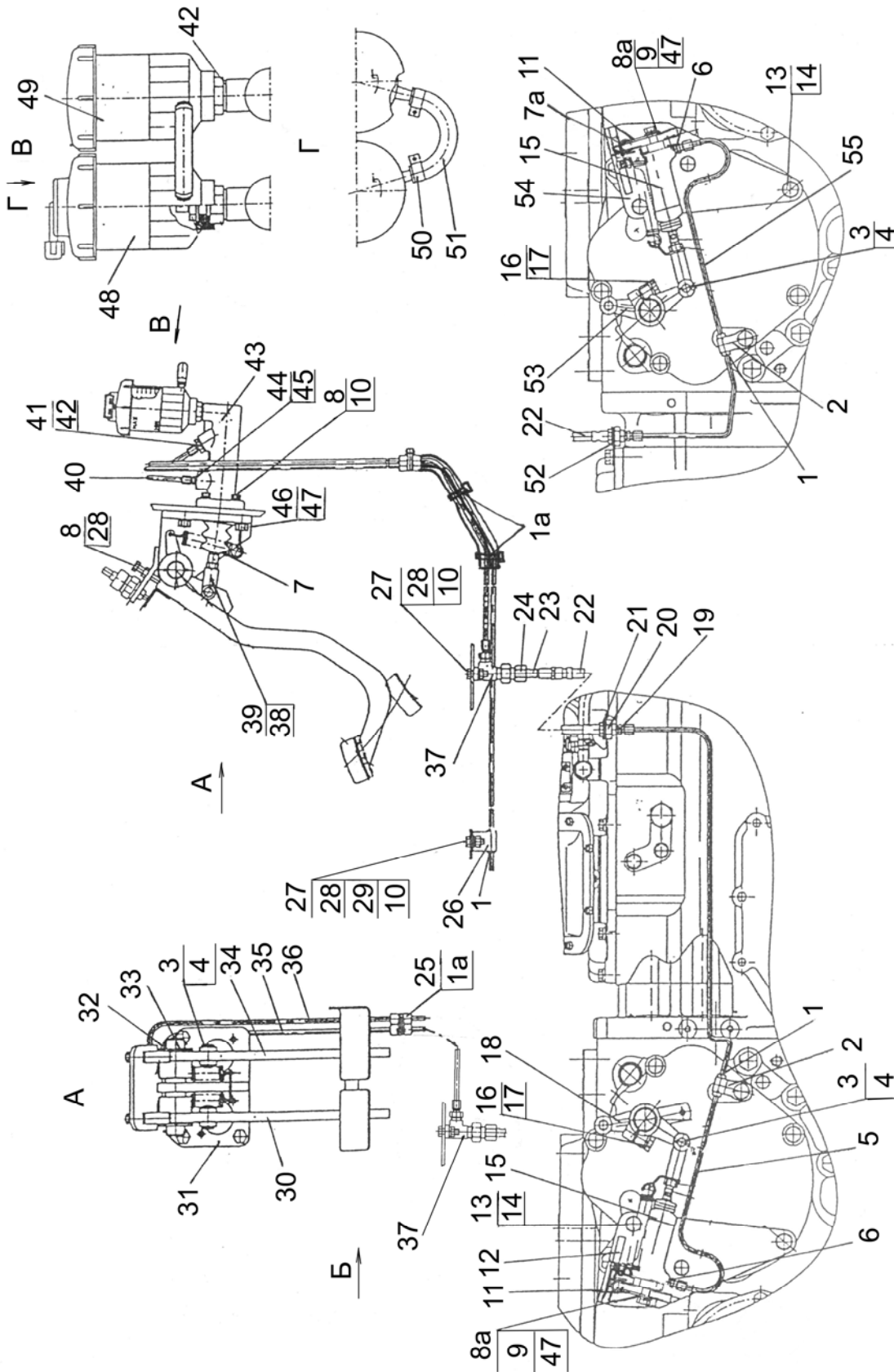


Fig. 35.2 Brake control

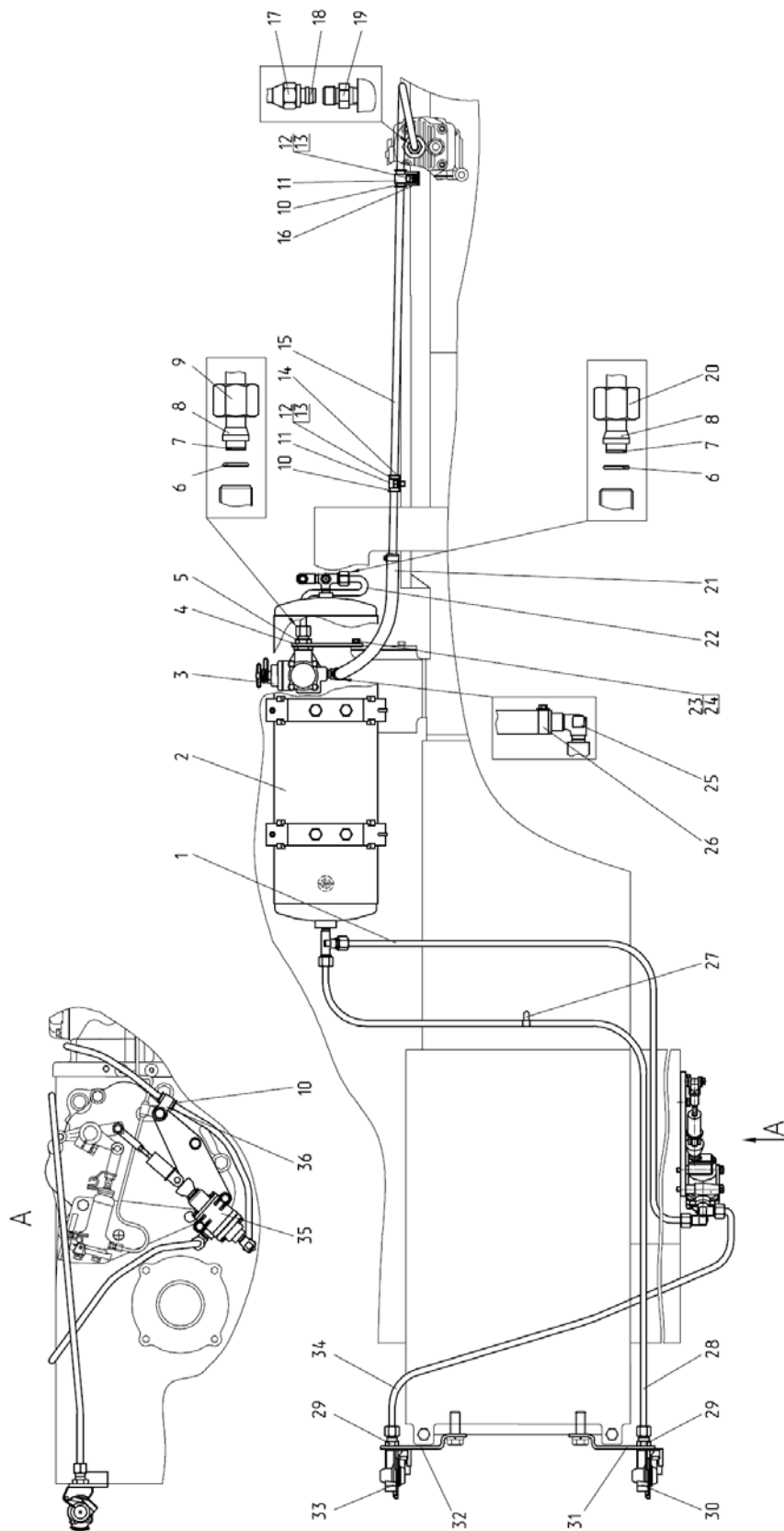


Fig. 35.6 Pneumatic drive (double-line)

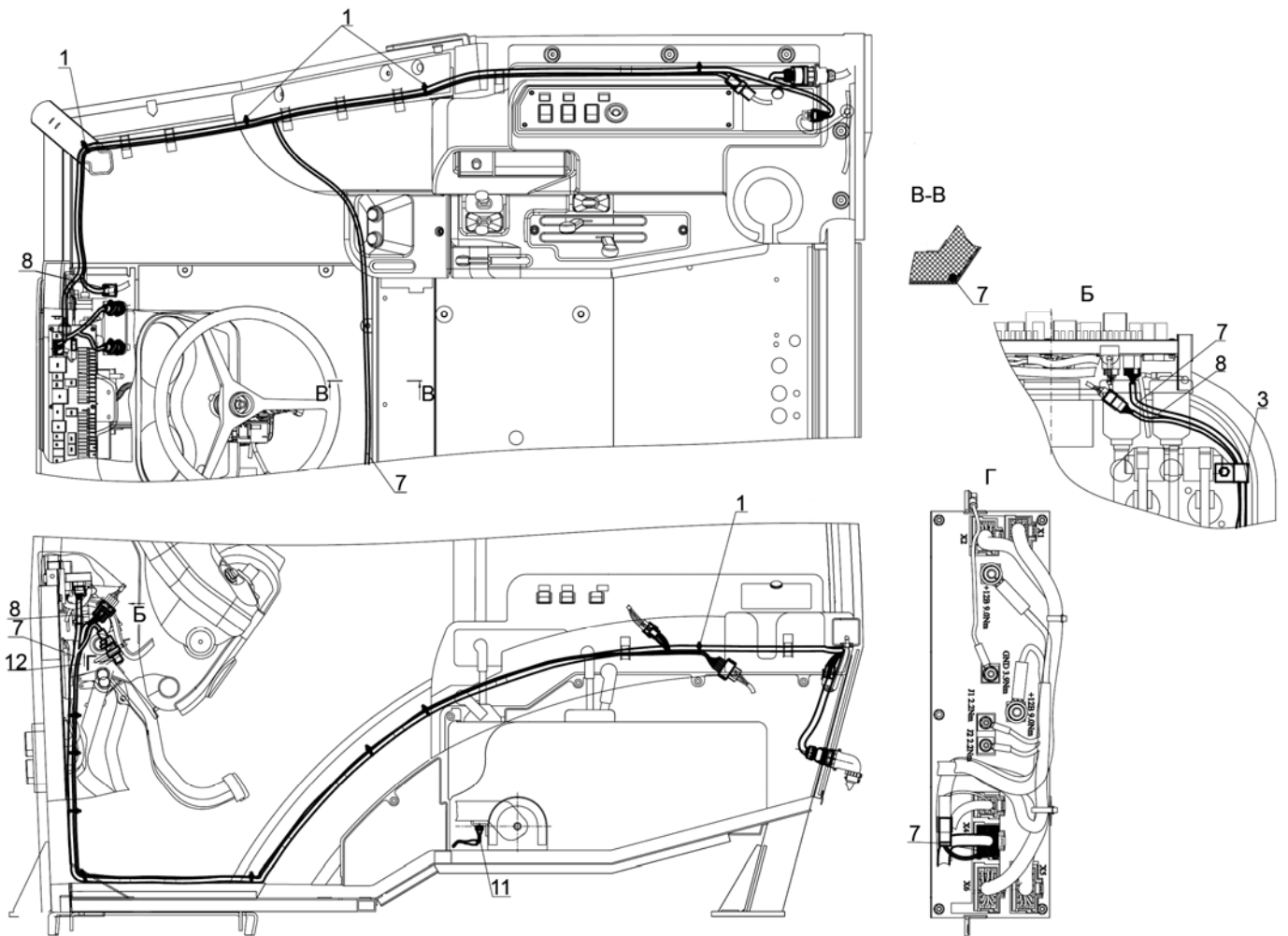


Fig. 37.3 Cab electrical equipment

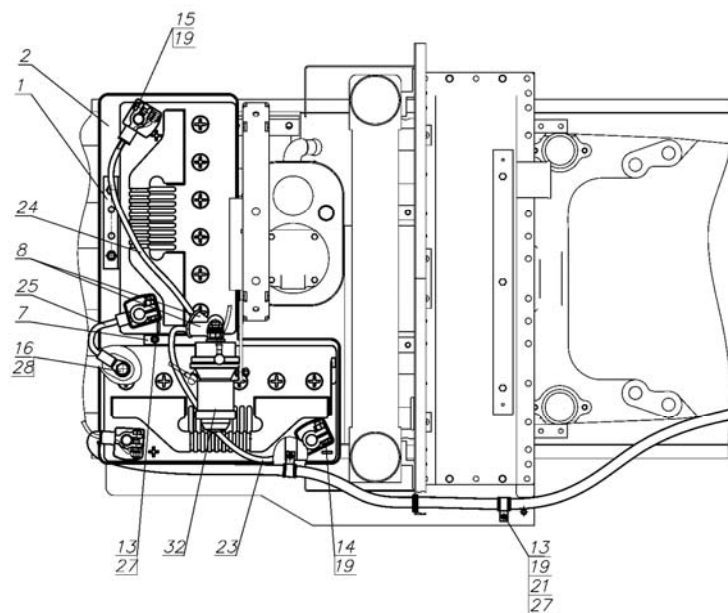
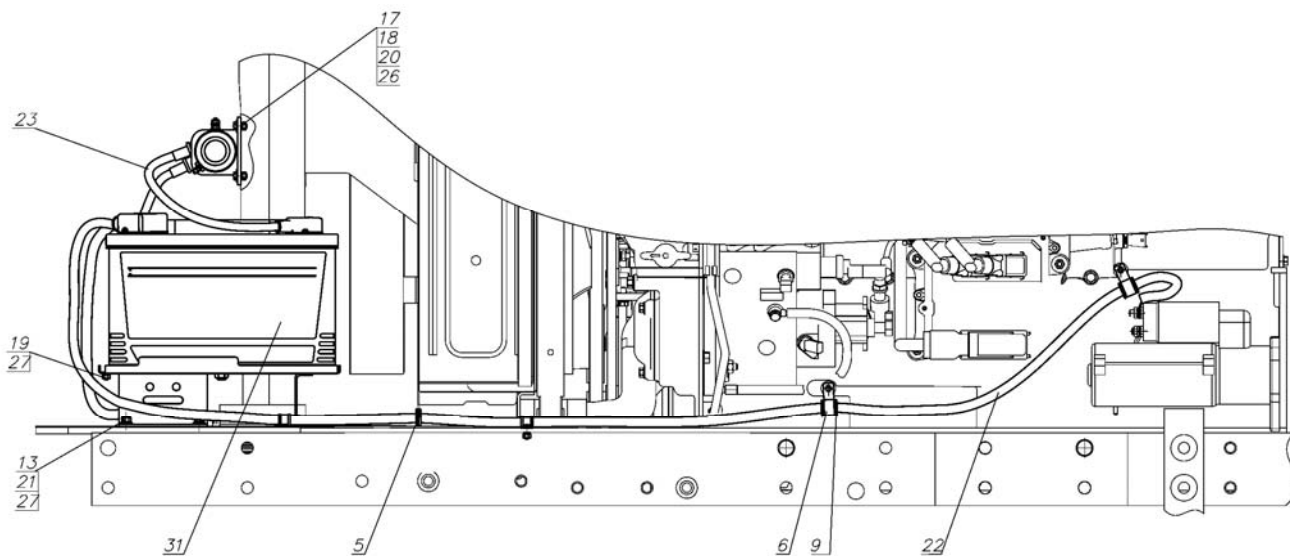


Fig. 37.8 Storage battery assembly

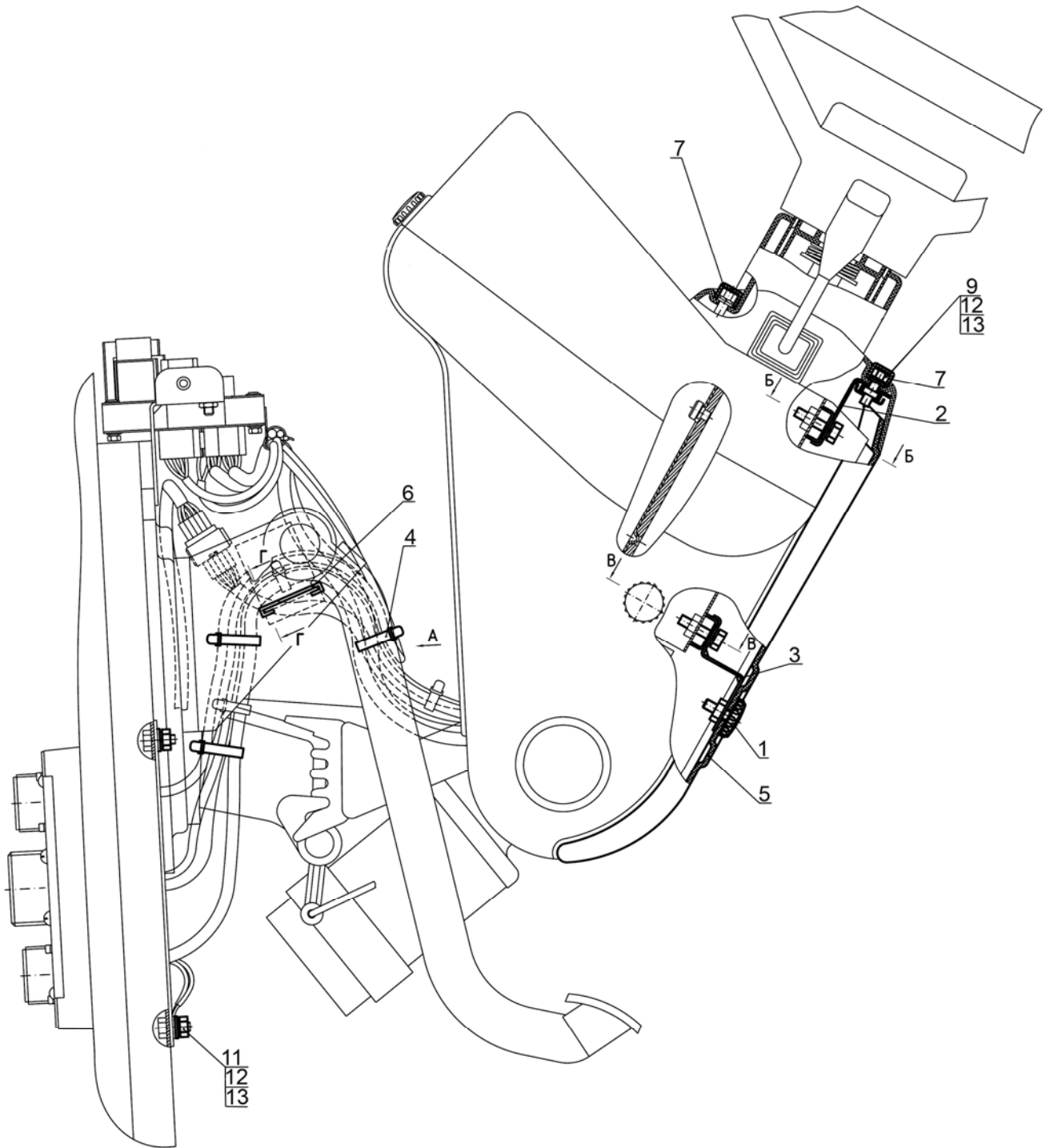


Fig. 38.4 Dashboard assembly

**Group 42. Power take-off
Subgroup 4202. Rear power take-off shaft**

Fig.No	Pos.No	Assembly unit or part number	Q-ty	Description
42.1	35	80-1701047	1	Nut
	36	2022-4202069	1	Washer
	37	2022-4202042	1	Cage
	38	72-2308121*	2	Ring
		or 72-2308121-01	2	Ring
		or 72-2308121-02	2	Ring
		or 72-2308121-03	2	Ring
		or 72-2308121-04	2	Ring
		or 72-2308121-05	2	Ring
		or 72-2308121-06	2	Ring
		or 72-2308121-07	2	Ring
		or 72-2308121-08	2	Ring
		or 72-2308121-09	2	Ring
		or 72-2308121-10	2	Ring
	or 72-2308121-11	2	Ring	
	39		2	Bearing 7212A GOST 27365-87
	41		2	Washer S 6.01.019 GOST 11371-78
	42	2022-4202062	1	Bushing
	43		2	Washer S16.01.08 GOST 6958-78
	44		2	Bolt M16-6gx25.88.35.019 GOST 7796-70
	45		2	Washer 16OT OST 37.001.115-75
	46	1522-4202094	2	Handwheel
	47	2022-4202095	1	Casing
	48	2022-4202092	1	Plate
	49		2	Bolt M10-6gx20.88.35.019 GOST 7796-70
	50		2	Washer S10.01.019 GOST 11371-78
	51		1	Ring 044-050-36-2-2 GOST 18829-73/GOST 9833-73
	52	1822-4202027	1	Thrust washer
	53	2022-4202017	1	Shaft end PTO3 (20 splines)- 1000 rpm
		2022-4202017-02**	1	Shaft end PTO2 (21 splines)- 1000 rpm
		2022-4202016**	1	Shaft end PTO1S (8 splines)- 540 rpm
		2022-4202016-01**	1	Shaft end PTO1 (6 splines)- 540 rpm
2022-4202017-01**		1	Shaft end PTO2S (8 splines)- 1000 rpm	
2000-4202017-03**			Shaft end PTO2S1 (6 splines)- 1000 rpm	
54	2022-4202065	1	Rear PTO cap	
55		4	Bolt M10-6gx25.88.35.019 GOST 7796-70	
56		1	Collar 2.2-80x105-1 GOST 8752-79/OST 3805146-78	
57	2022-4202018	1	Cover	
58		6	Screw M10-6gx70.88.019 GOST 11738-84	

* selected during bearings adjustment

** optional

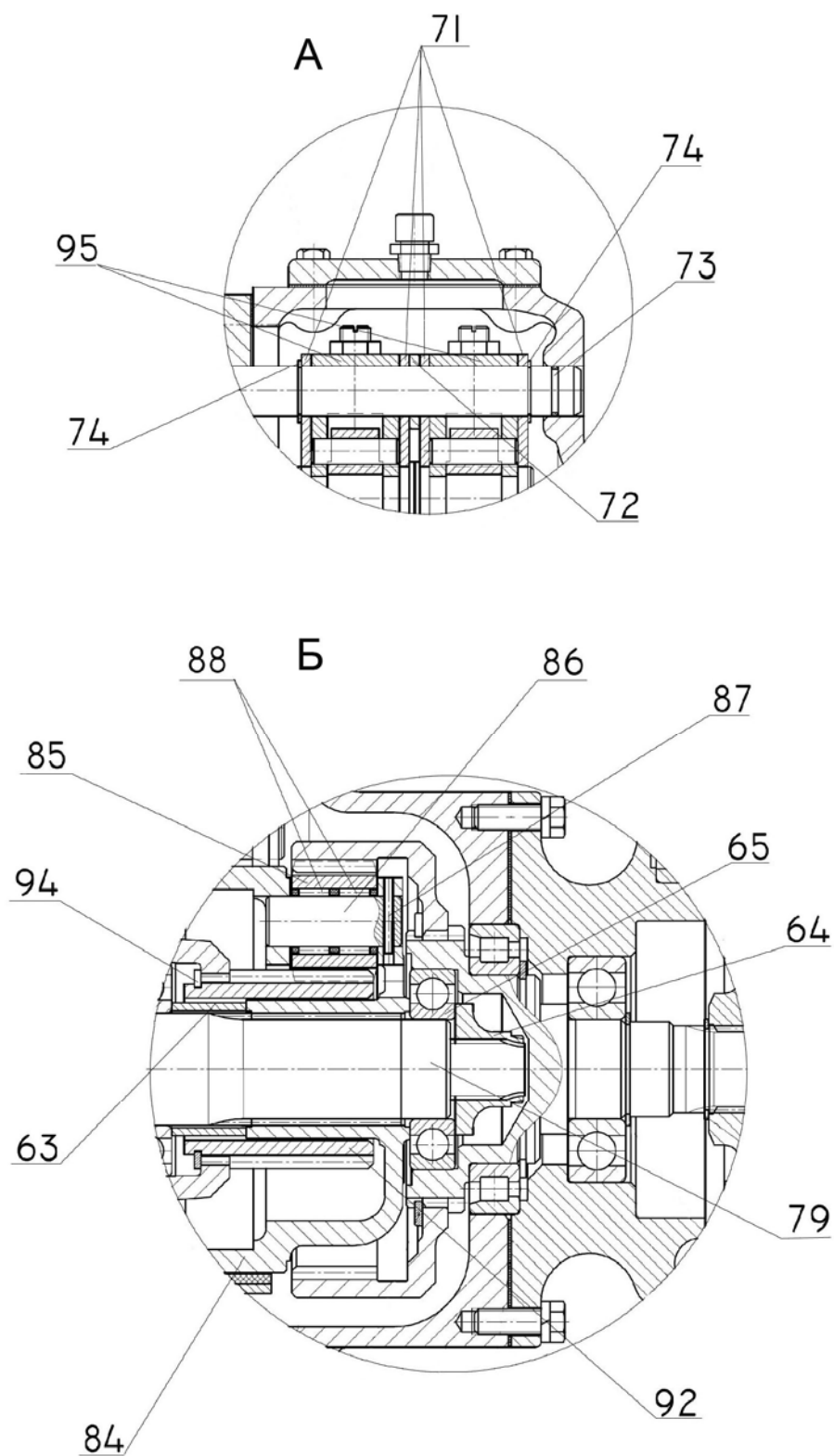


Fig. 42.5 PTO gear unit

**Group 42. Power take-off
Subgroup 4235. Ballast**

Fig.No	Pos.No	Assembly unit or part number	Q-ty	Description
42.9		2022-4235025-A	1	Additional ballast
	1	2022-4235020	1	Side member
	2	2022-4235040	1	Side member
	3	2022-4235050	1	Base
	4	70-4235011	20	Weight
	5	2022-4235039	1	Wall
	6	2022-4235039-01	1	Wall
	7	2022-4235041	2	Bushing
	8	1025-4235015-05	2	Bar
	9	70-4605036-03	2	Bolt
	11		2	Bolt M16-6gx70.88.35.019 GOST 7795-70
	12		12	Bolt M16-6gx32.88.35.019 GOST 7796-70
	13		4	Bolt M16-6gx40.88.35.019 GOST 7796-70
	16		10	Nut M16-6H.6.019 GOST 5915-70
	17		6	Nut M20-6H.6.019 GOST 5915-70
	18		18	Washer 16 OT OST 37.001.115-75
	19		2	Washer 20 OT OST 37.001.115-75

Group 46. Hydraulic system
Subgroup 4605. Hook 2522-4605300/-01 "MTZ" cat.3

Fig.No	Pos.No	Assembly unit or part number	Q-ty	Description
46.4	1	2522-4605305/305-01	1	Detent
	2	2522-4605310	1	Hook housing
	3	2522-4605320	1	Stop member
	4	2522-4605306	1	Yoke
	5	2522-4605308	1	Spring
	6	2522-4605309	1	Axle
	7	2522-4605316	1	Yoke
	8	2522-4605317	1	Pin
	9	2522-4605321	1	Axle
	10	M12-6gx20.88.35.019 GOST 7796-70	1	Bolt
	11	S12.01.019 GOST11371-78	1	Washer

**Group 46. Remote-cylinder hydraulic system
Subgroup 4607. Hydraulic units and fittings**

Fig.No	Pos.No	Assembly unit or part number	Q-ty	Description
46.8		R2022-4600010	1	Hydraulic system
46.9	1	2022-4608210	1	Tank
46.10	2	B2022-4608310	1	Filter
	3	3022-4607120	1	T-piece
	4	1523-4607040	1	Bracket
	5	1523-4607150	1	Pipe
	6	R1523-4607075	1	Pipe
	7	R1523-4607085	1	Pipe
	8	R1523-4607160	1	Pipe
	9	R1523-4607180	1	Fitting
	10	1522-4607020	1	Connecting pipe
	11	1522-4607090	1	Pipe
	13	1523-4607230	1	Lever
	14	1523-4607230-01	1	Lever
	15	1523-4607230-02	1	Lever
	16	1522-4607250	1	Bracket
	17	1522-4608230	1	Clamp band
	18	P80-4607120-07	1	High-pressure hose Ø16x2 reinforced
	19	680-4607140-06	1	High-pressure hose Ø10x1 reinforced
	20	680-4607140-13	1	High-pressure hose Ø10 reinforced
	21	680-4607510	1	Connecting pipe
	23	100-4617110-01	1	Pump drive
	27	F80-3407720	2	Oil pipeline
	28	R2022-4607063	1	Hose10x18,5-1,6 GOST10362-76 L=(200±5) mm
	29	R2022-4607061	1	Hose25x35-1,6 GOST10362-76 L=(1200±5)mm
	30	R2022-4607061-01	1	Hose 25x35-1,6 GOST10362-76 L=(400±5)mm
	31	R2022-4607061-02	1	Hose25x35-1,6 GOST10362-76 L=(340±3) mm
	32	R2022-4607062	1	Hose 14x23-1,6 GOST10362-76 L=(900±5)mm
	33	1523-4607013	1	Bracket
	34	R1523-4607001	1	Fitting
	35	R1523-4607121	1	Bracket
	36	1522-4607011-A	4	Bolt
	38	1522-4607017	3	Pin
	40	R2022-4607063-01	1	Hose10x18,5-1,6 GOST10362-76 L=(1520±5) mm
	41	R2022-4607063-02	1	Hose10x18,5-1,6 GOST10362-76 L=(620±5) mm
	42	80-4608021	1	Blind plug
	43	1522-4607078	1	Angle piece

**Group 52. Windscreen wiper
Subgroup 5205. Rear screen wiper assembly**

Fig.No	Pos.No	Assembly unit or part number	Q-ty	Description
52.1		923-5205020	1	Rear screen wiper assembly
	1	923-5205022-B	1	Bracket
	2	1522-3903018	1	Decorative sticker
	3	822-5205043	1	Bushing
	4		1	Screw V.M4-6gx12.58.019 GOST 17473-80
	6		2	Nut M8-6H.6.019 GOST 5915-70
	7	923-3724014-B	1	Bundled cable
	9		2	Washer S 8.01.019 GOST 6958-78
	10		1	Washer 4 OST 37.001.115-75
	12		2	Washer 8T OST 37.001.115-75
	17		1	Motogear unit 475.3730-10 TU 37.459.155-93 "OAO KZAE", Kaluga" or Windscreen wiper drive A18-45.00.100 "ZAO BELROBOT", Minsk" or Motogear unit ST-240 TU BY 300149331.043-2010, "RUP EVIRET", Vitebsk
	18	5205.265	1	Wiper lever 009.48.00 "ZEM", Poland" or Wiper lever 20.5215 300 TU 37.459.330-2005 "OAO KZAE", Kaluga or Lever A18-45.00.200 "ZAO BELROBOT", Minsk" or Wiper lever 420R.5205 TU BY 300149331.043-2010 "RUP EVIRET", Vitebsk
	19	5205.65	1	Blade A10-450.01 "ZAO BELROBOT", Minsk or Wiper blade 450.04.00 ""ZEM", Polen or Wiper blade 450V.5205 TU BY 300149331.043-2010 "RUP EVIRET", or Wiper blade 20.5215 400 TU 37.459.331-2005 "OAO KZAE", Kaluga

**Group 67 Cab
Subgroup 6708. Cab door**

Fig.No	Pos.No	Assembly unit or part number	Q-ty	Description
67.2		2522-6708005	1	Left door
		2522-6708005-01	1	Right door
	1	2522-6105018	2	Gasket
	2	2522-6105019	2	Gasket
	3	2522-6105021	2	Washer
	4		2	Screw V.M6-6gx20.58.019 GOST 17473-80
	5	2522-6708020-A	1	Left frame
	6	2522-6708020-A-01	1	Right frame
	6	70-8401072	2	Dashpot
	7	2522-6105300	1	Handle
		2522-6105330	1	Handle
	8	2522-6105022	2	Bushing
	9	2522-6105013	2	Gasket
	10	2522-6105014	2	Gasket
	11	2522-6105023	1	Bracket
		2522-6105023-01	1	Bracket
	12	2522-6105016	2	Washer
	13	2522-6105017	2	Nut
	15	80-6105050	1	Lock
		80-6105050-01	1	Lock
	16	2522-6708812	1	Cover
		2522-6708812-01	1	Cover
	17		8	Screw M8-6gx30.56.019 GOST 11738-84
	18		4	Washer 6.59G GOST 11648-75
	19		10	Washer 8T OST 37.001.115-75
	20	2522-6708056	1	Upper left hinge
		2522-6708056-01	1	Upper right hinge
	21	2522-6708017	8	Bushing
	22	2522-6708016	12	Bushing
	23	2522-6708011	4	Strip
	24	2522-6708029	4	Nut
25	2522-6708051	1	Upper hinge	
	2522-6708051-01	1	Upper hinge	
26	822-6700011	4	Pin	
27	2522-6708061	1	Lower left hinge	
	2522-6708061-01	1	Lower right hinge	
28	2522-6708066	1	Lower left hinge	
	2522-6708066-01	1	Lower right hinge	
29	586564 or 11.4.6308010	2	Gas spring 6288 VJ Spring TU RB 500032891.095-2003	
30	2522-6708975	4	Screw	
31	V-716	4	Profile (L=4,55 м)	

Group 67. Tractor cab
Subgroup 6700. Tool box assembly

Fig.No	Pos.No	Assembly unit or part number	Q-ty	Description
67.5		2022-6700170	1	Tool box assembly (1, 2)
	1	2022-6700175	1	Bracket
	2	70-3919110	1	Tool box
	3	50-3913214	2	Clamp
	5	M8-6gx16.88.35.019	4	Bolt GOST 7795-70
	6	M10gx25.88.35.019	4	Bolt GOST 7795-70
	7	M8-6H.6.019	4	Nut GOST 5915-70
	8	M10-6H.6.019	2	Nut GOST 5915-70
	9	S8.01.019	8	Washer GOST 11371-78
	10	S10.01.019	4	Washer GOST 11371-78
	11	8T	4	Washer OST 37.001.115-75
	12	10 OT	4	Washer OST 37.001.115-75

Group 82. Cab accessories
Subgroup 8201. Outside mirror

Fig.No	Pos.No	Assembly unit or part number	Q-ty	Description
82.2	1	SAKD 458201.050	2	Outside mirror
	2	SAKD 458201.075	2	Plate
	3	M8x35	2	Bolt
	4	SHP 8	2	Washer
	5	SAKD 458201.062	2	Bracket
	6	SAKD 458201.064	2	Bushing
	7	M6x40	4	Bolt
	8	SHP 6	4	Washer

Group 84. Hood and fenders
Subgroup 8405. Foot step

Fig.No	Pos.No	Assembly unit or part number	Q-ty	Description
84.4		1522-8405005	1	Foot step (1-10)
	1	2522-8405010	1	Foot step
	2	SHP 10	4	Washer
	3	M10	4	Nut
	4	SCH 10	4	Washer
	5	M10x25	4	Bolt
	6	SCH 12	1	Washer
	7	M12x35	4	Bolt
	8	SHP 12	4	Washer
	9	M12	4	Nut
10	2522-8405020	1	Foot step	

CLICK HERE TO **DOWNLOAD** THE COMPLETE MANUAL

- Thank you very much for reading the preview of the manual.
- You can download the complete manual from: www.heydownloads.com by clicking the link below



- Please note: If there is no response to CLICKING the link, please download this PDF first and then click on it.

CLICK HERE TO **DOWNLOAD** THE COMPLETE MANUAL