

---

# ***BELARUS*** ***1523.4***

**with motor D-260.1S3A (116,0 kW)**

1523.4-0000010-01 KDS

---

## **CATALOGUE OF PARTS AND ASSEMBLY UNITS**

CLICK HERE TO **DOWNLOAD** THE COMPLETE MANUAL

- Thank you very much for reading the preview of the manual.
- You can download the complete manual from: [www.heydownloads.com](http://www.heydownloads.com) by clicking the link below



- Please note: If there is no response to CLICKING the link, please download this PDF first and then click on it.

CLICK HERE TO **DOWNLOAD** THE COMPLETE MANUAL

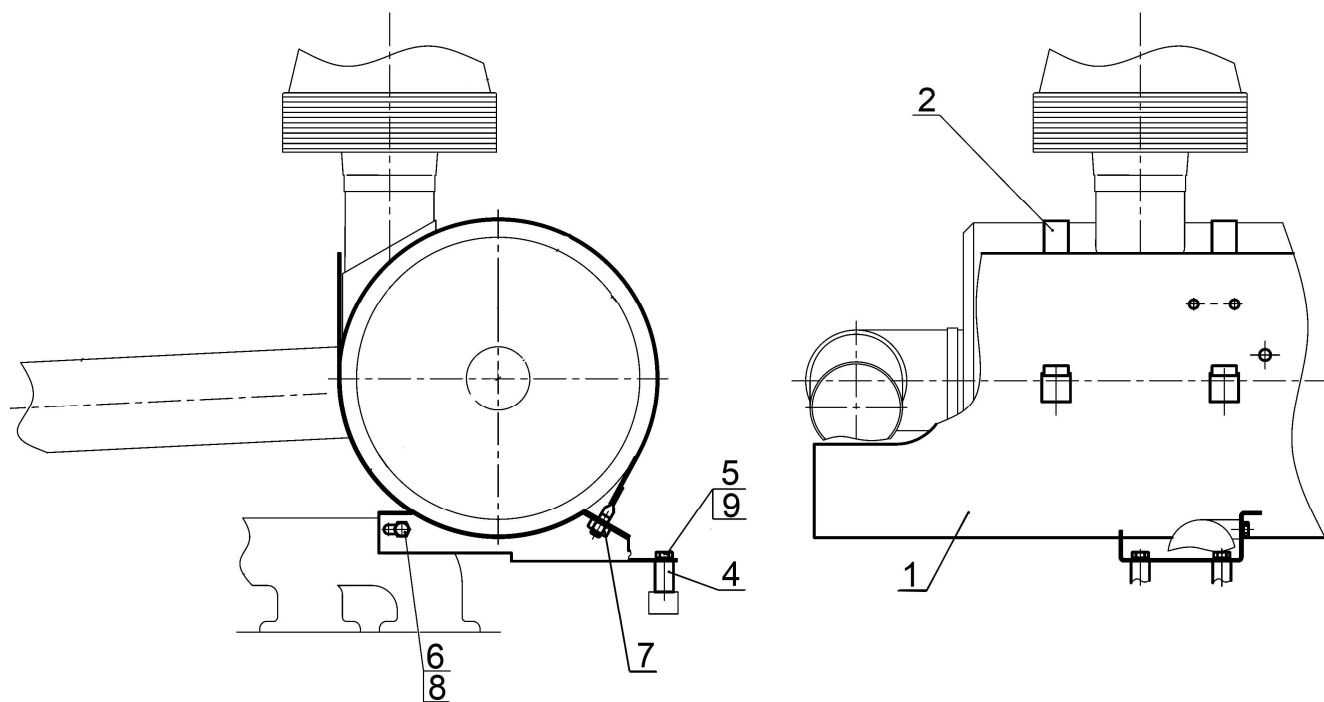


Fig. 11.1 Air cleaner installation

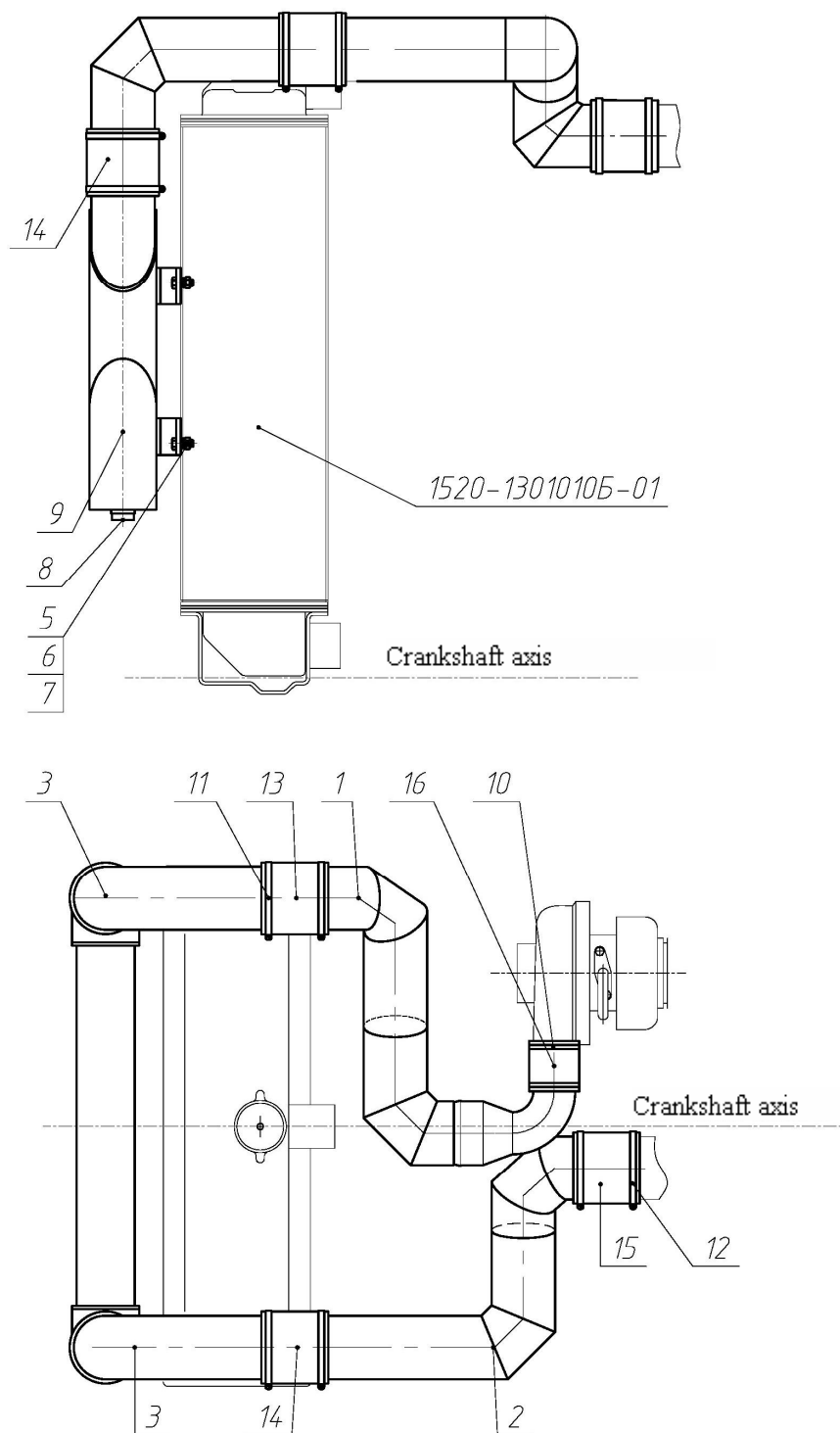


Fig. 13.2 Cooler installation

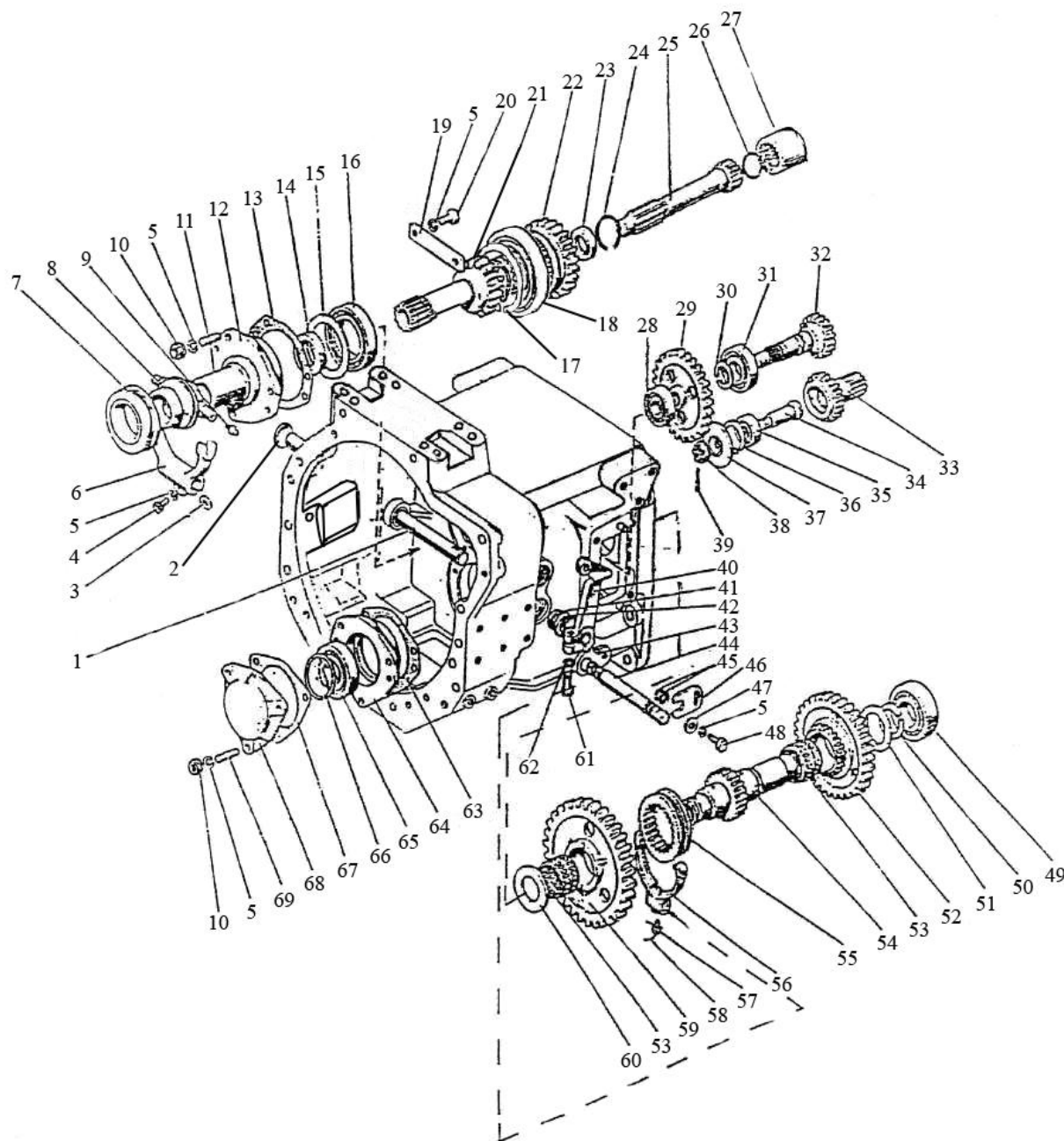


Fig. 16.3 Clutch housing (2022-1600010-A-01) (with GB 24x12)

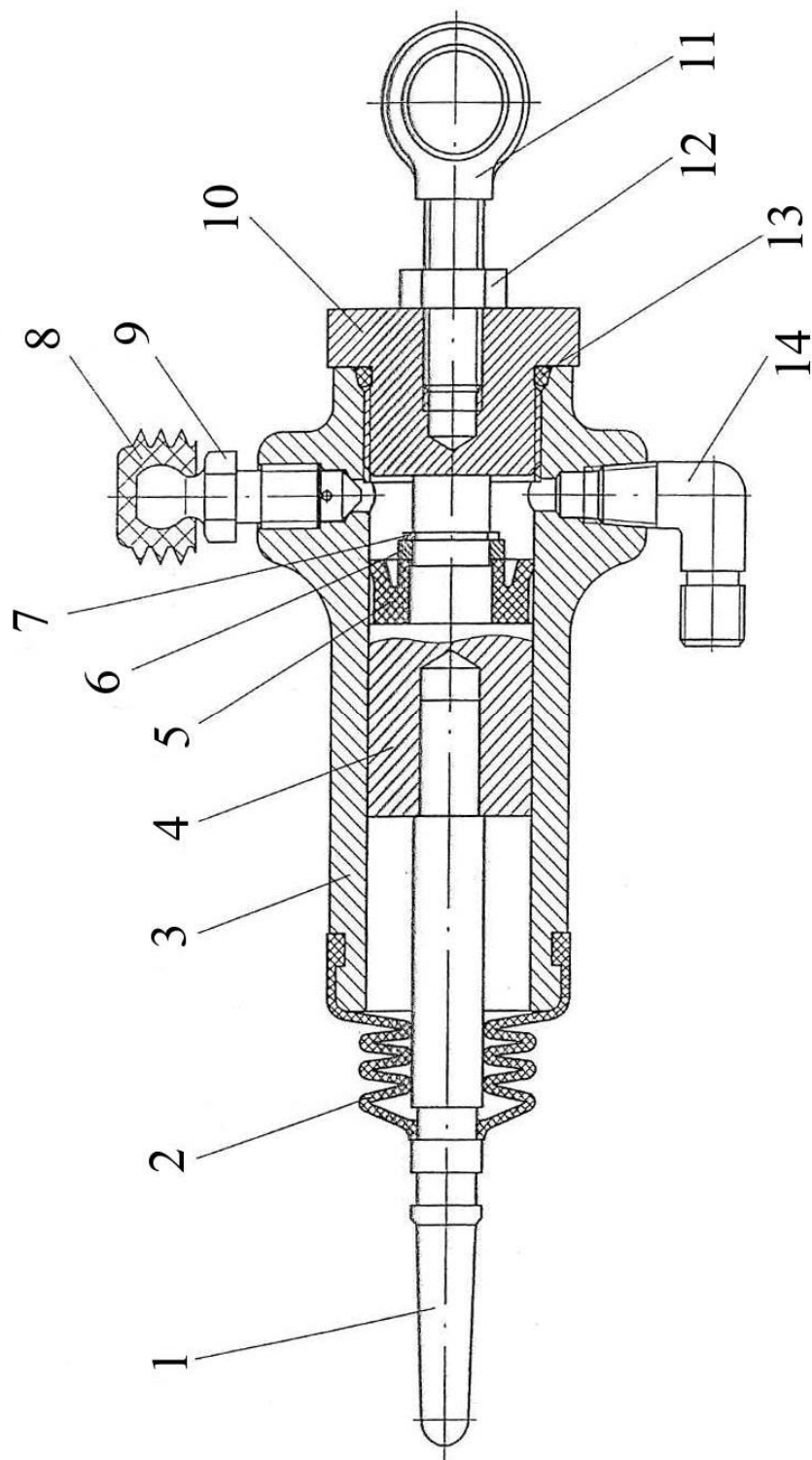


Fig. 16.7 Working cylinder

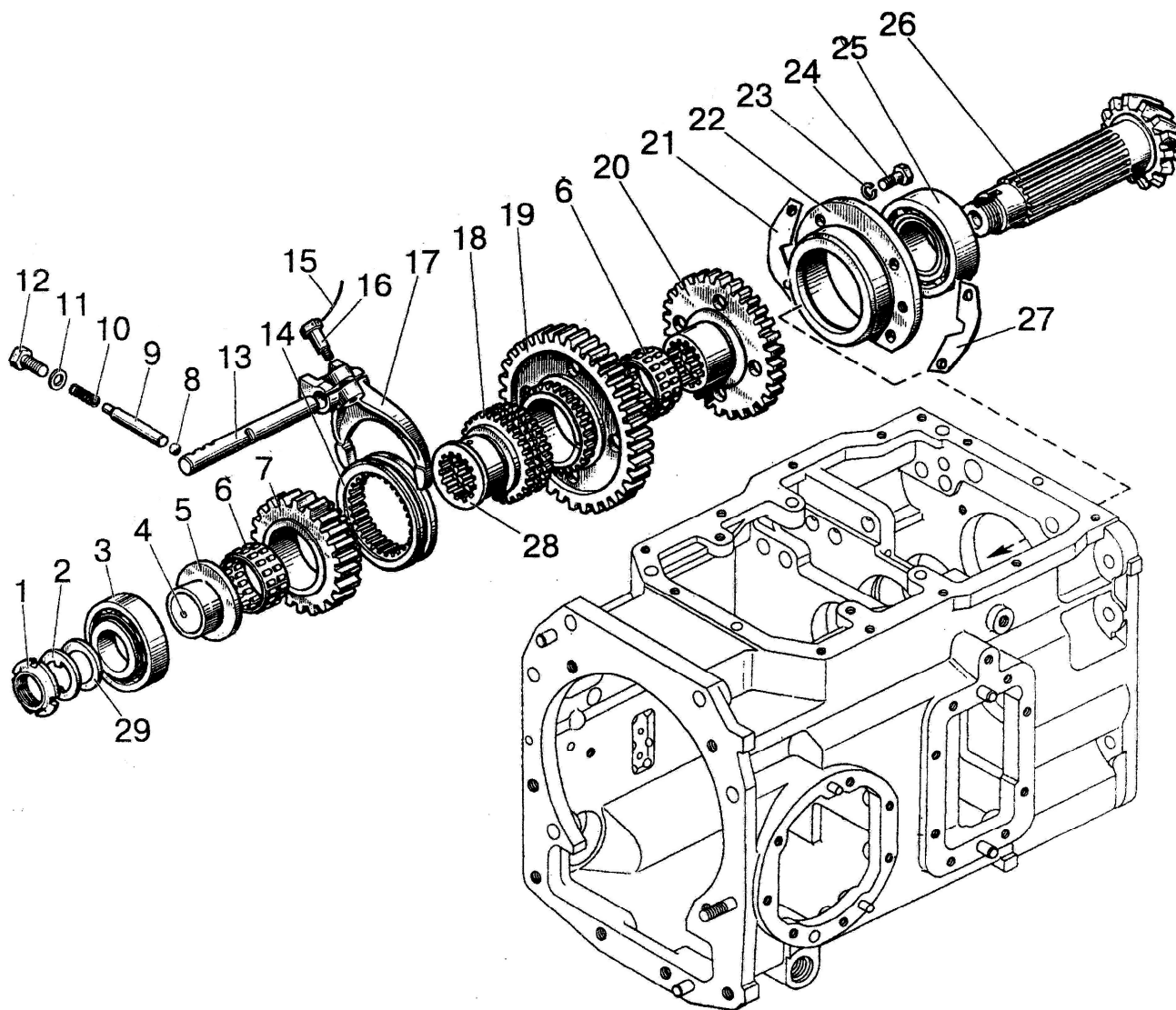


Fig. 17.3 Secondary shaft

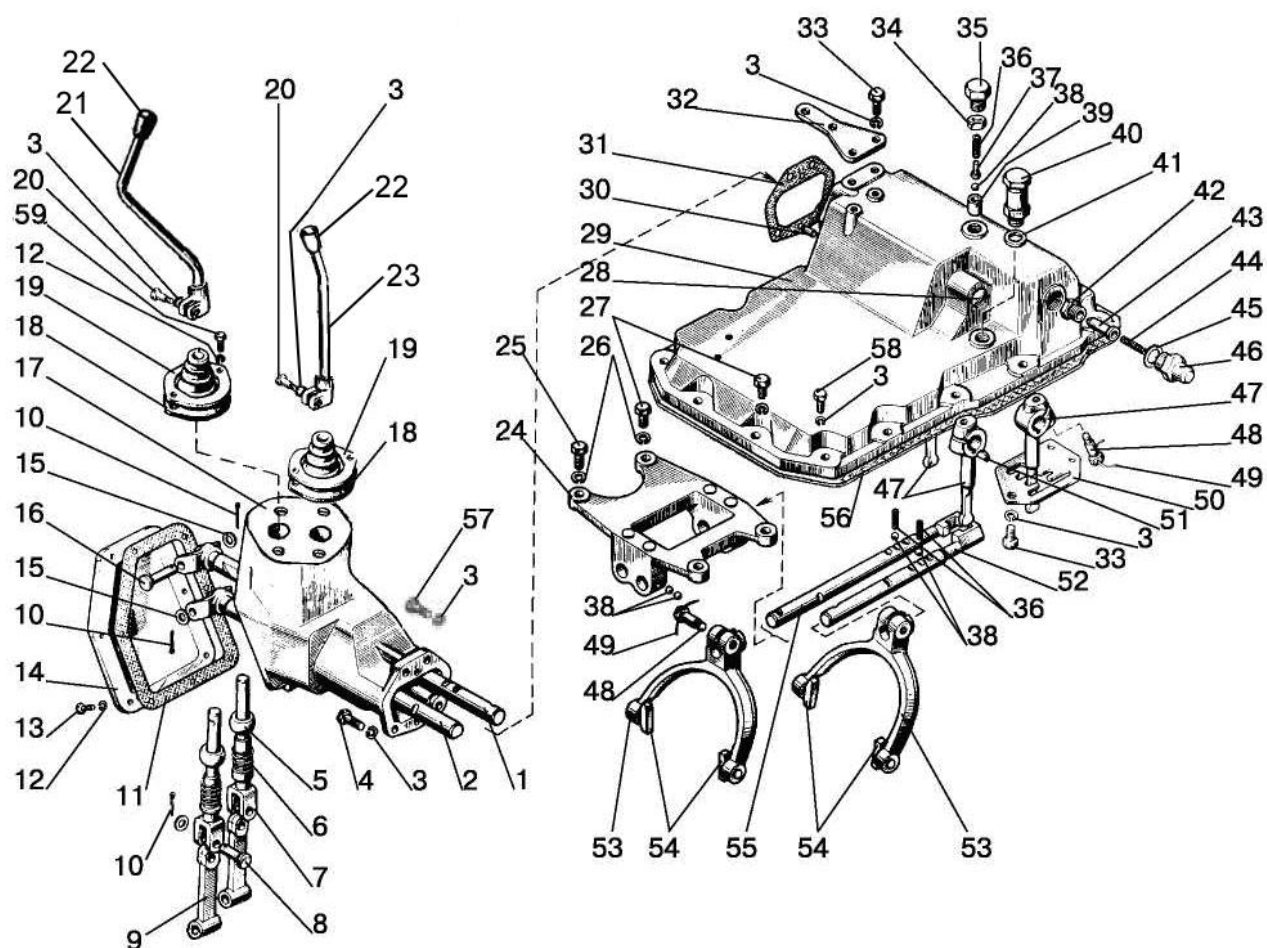
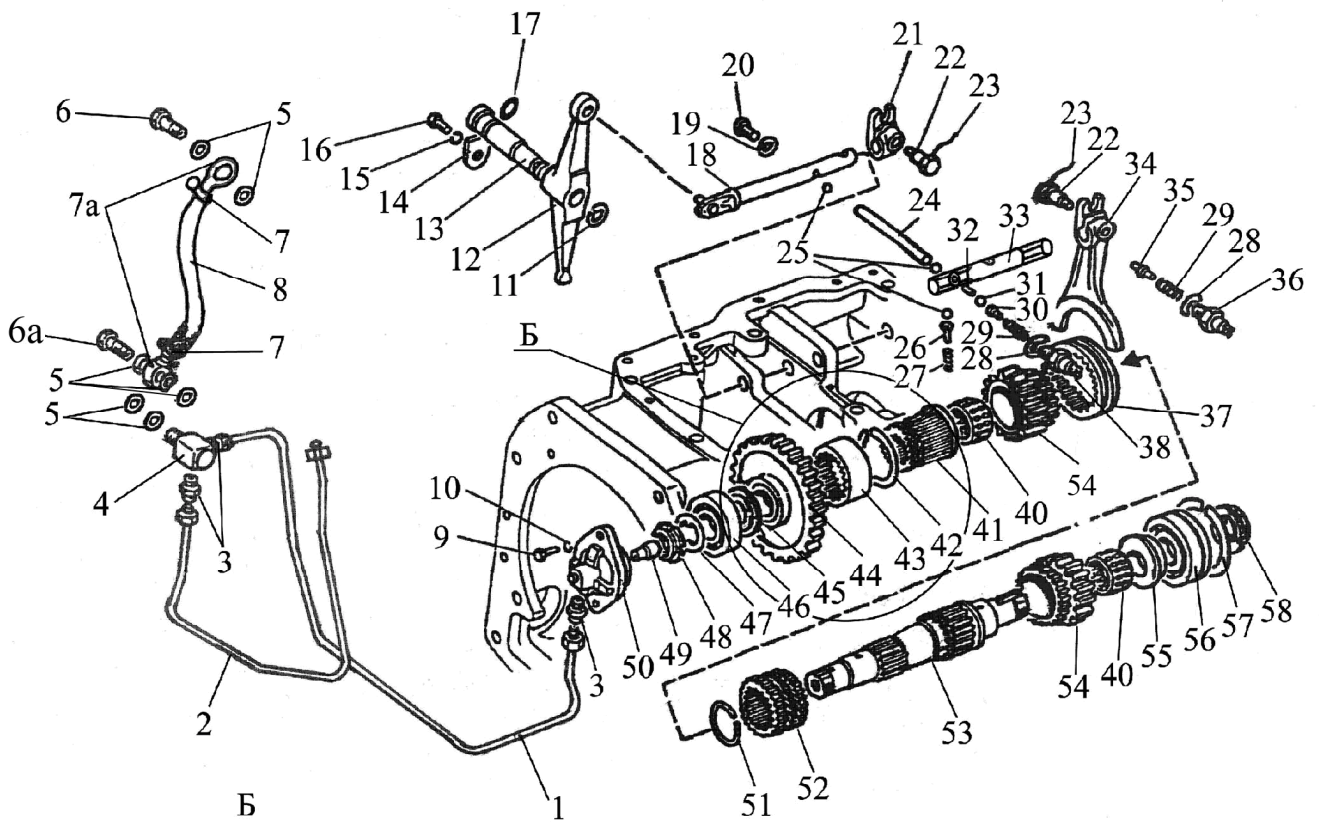


Fig. 17.6 GB control mechanism



variant with reducing gear

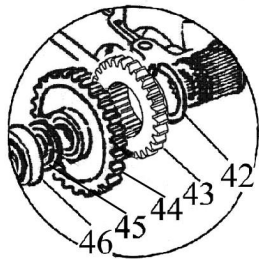


Fig. 17.10 Low gear and back draft shaft

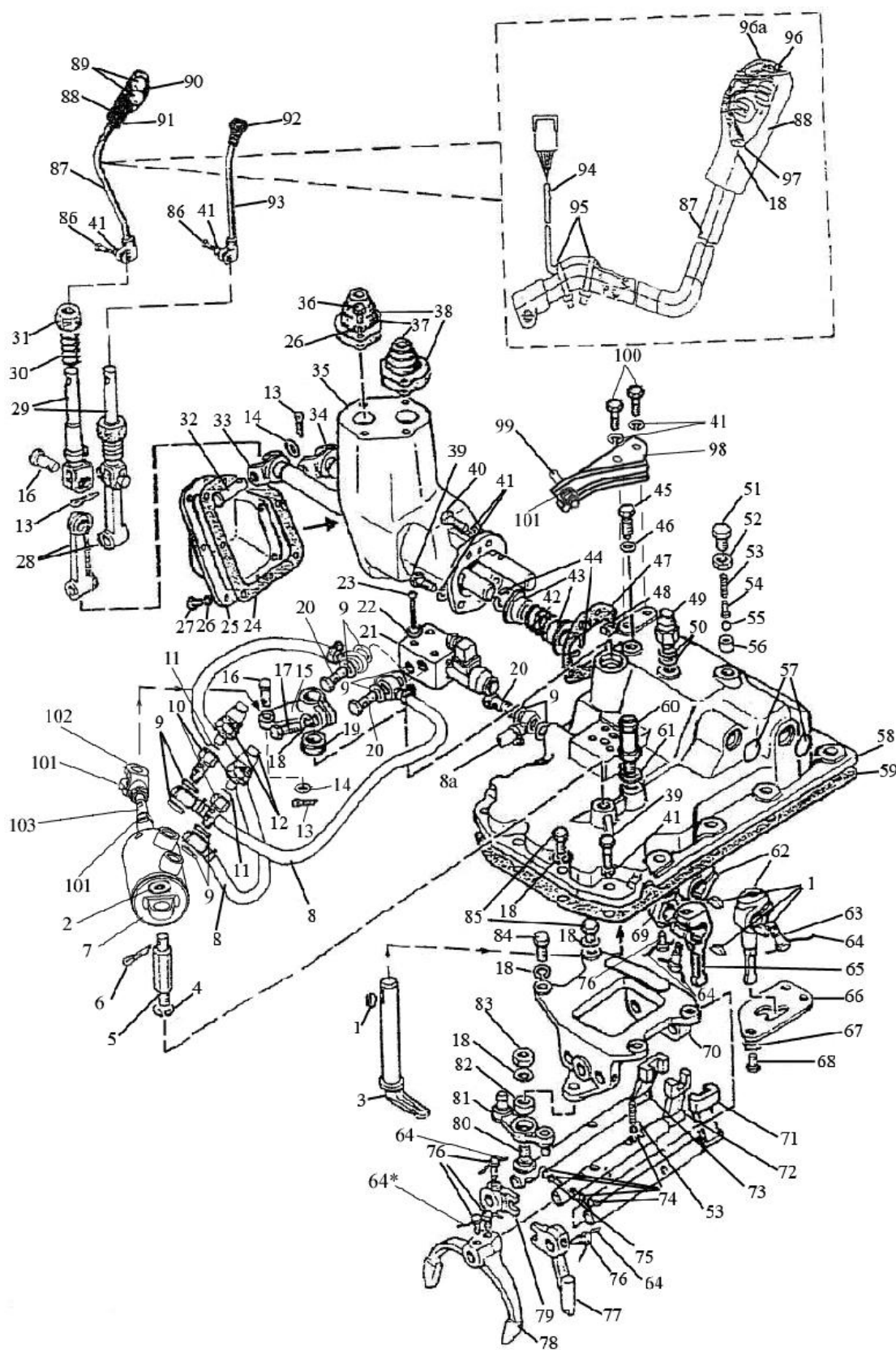


Fig. 17.13 GB control mechanism

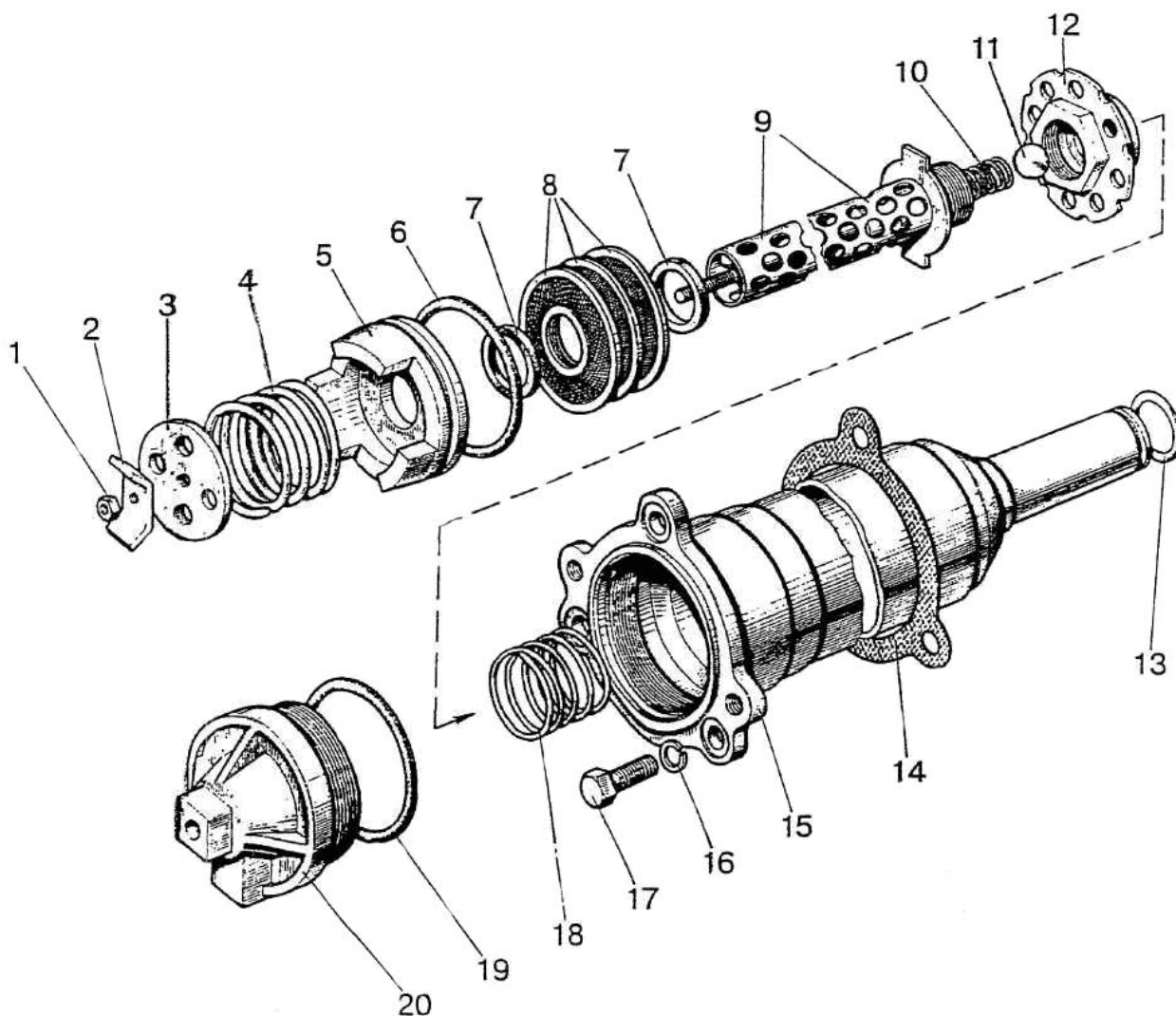


Fig. 17.17 Filter

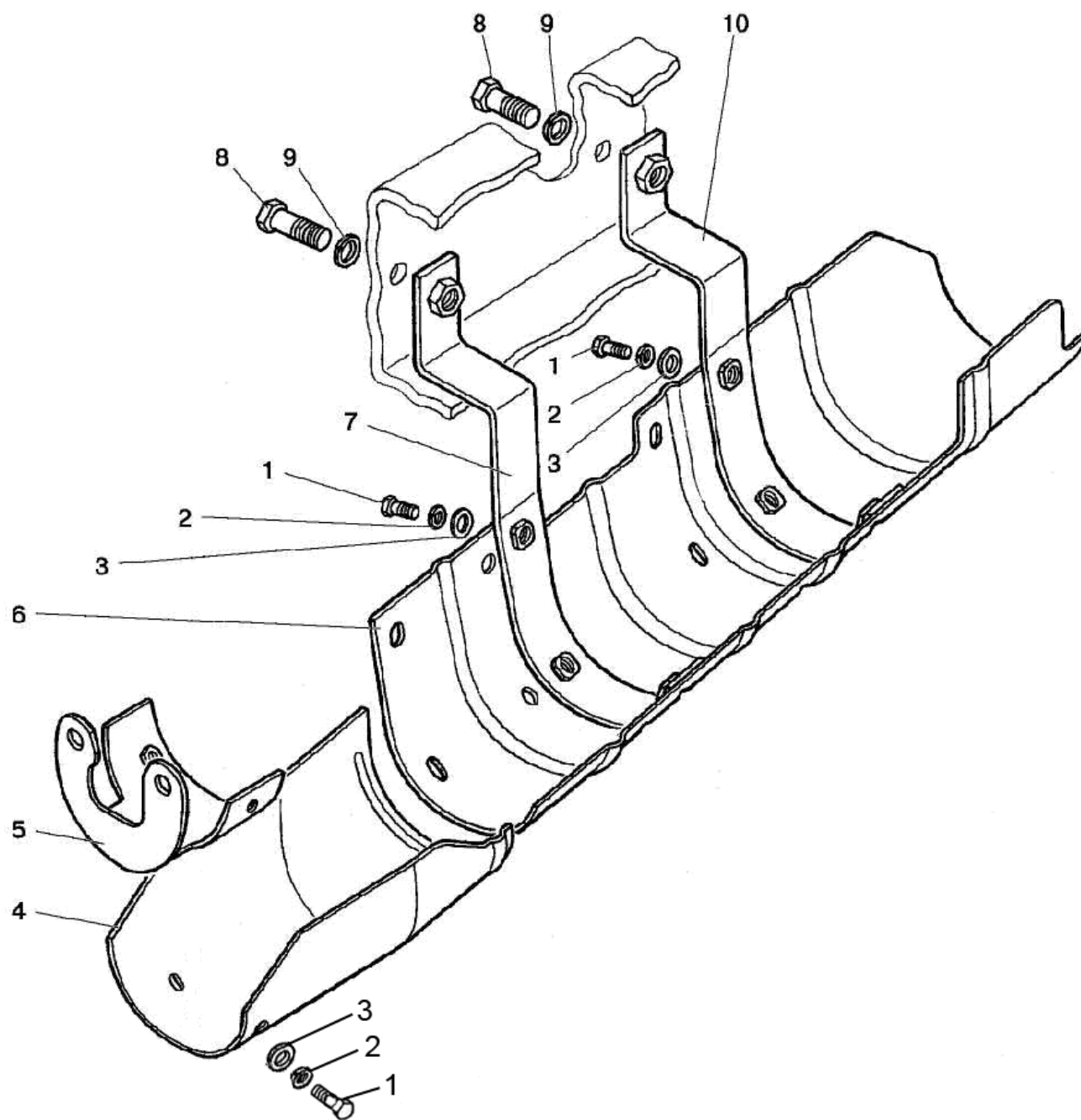


Fig. 22.2 Guard

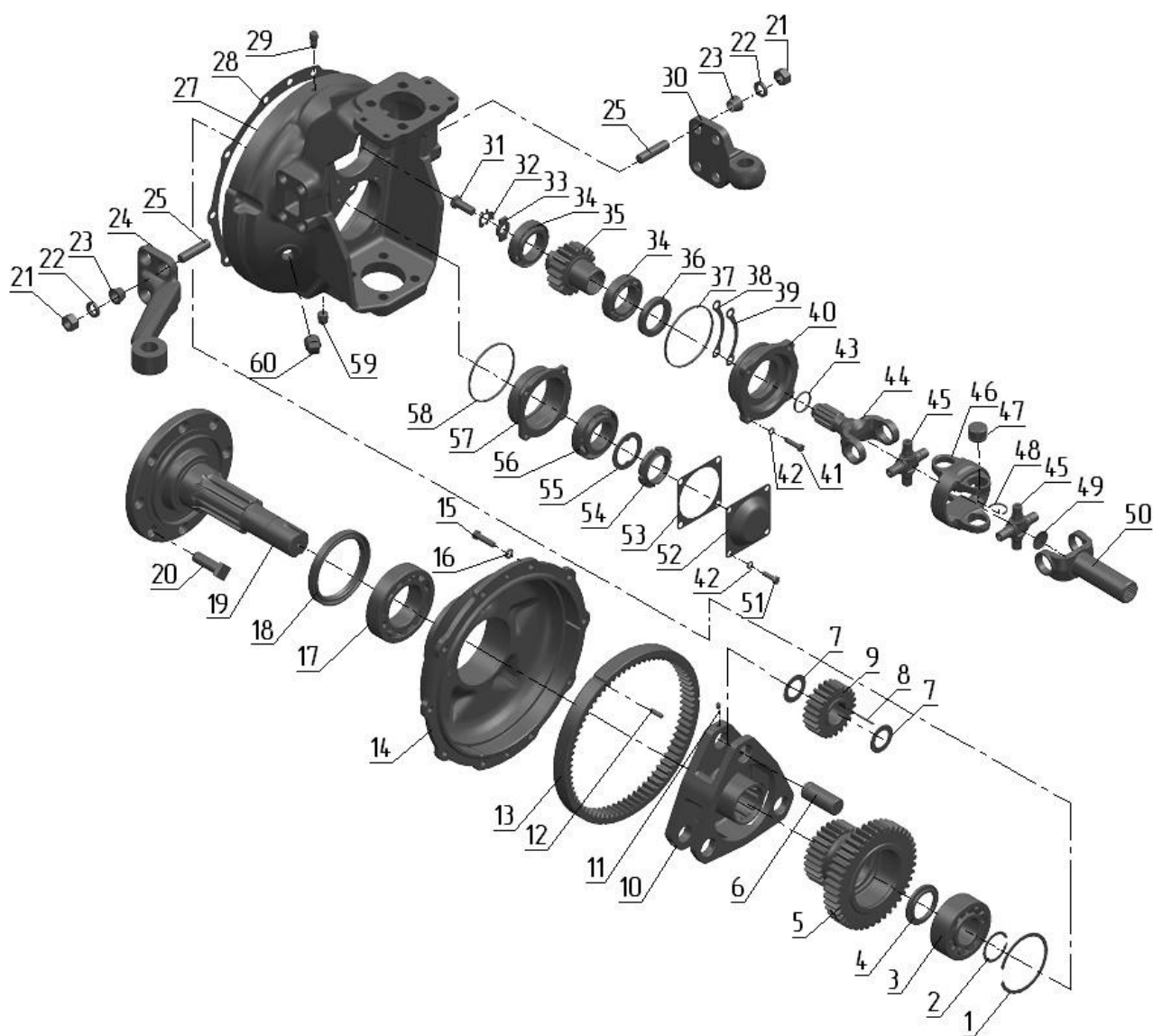


Fig. 23.4 Final drive reduction gear unit of front driving axle (1222-2300020-05)

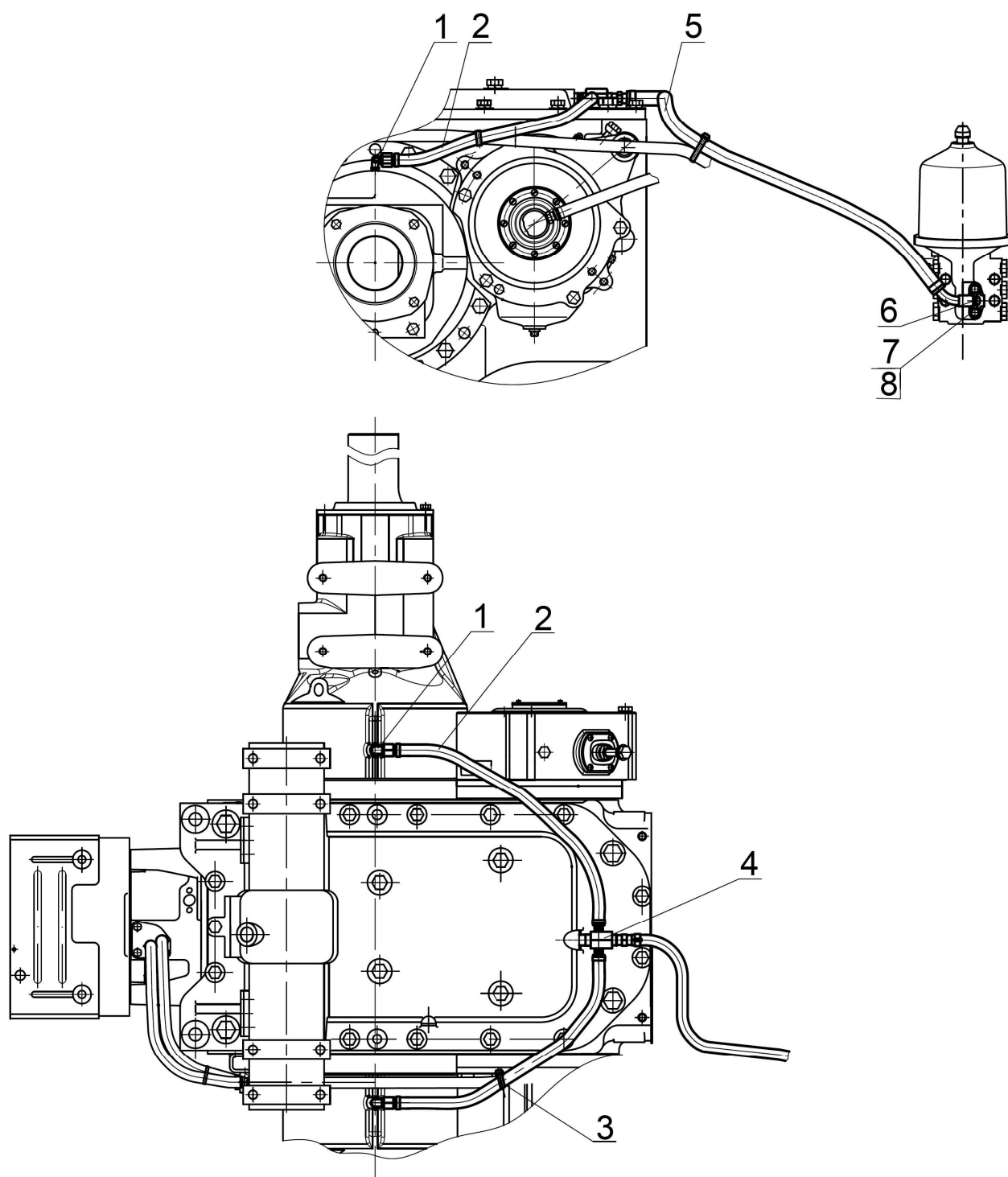


Fig. 24.3 Rear axle lubricating system (variant)

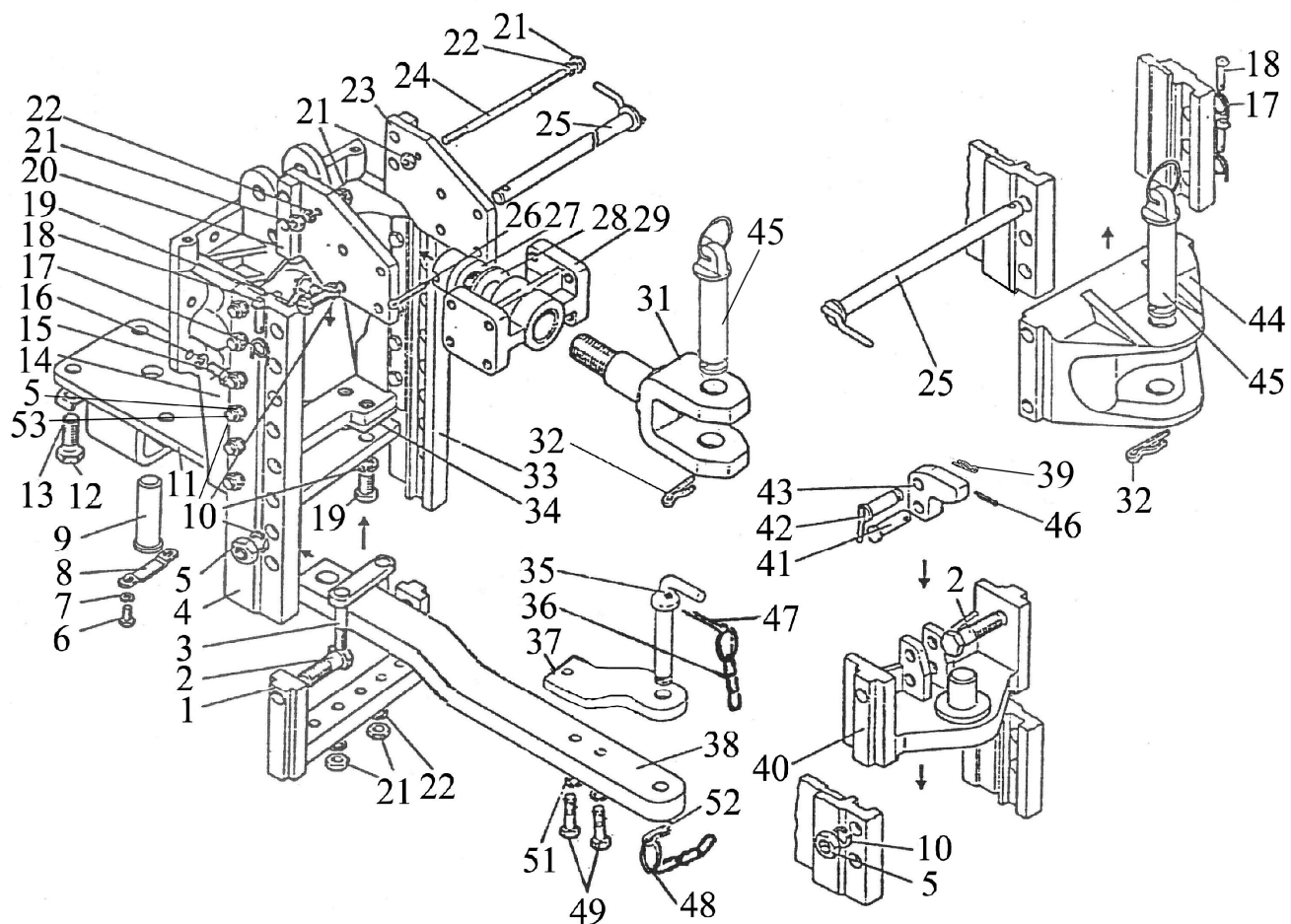


Fig. 27.1 Drawbar hitch.

CLICK HERE TO **DOWNLOAD** THE COMPLETE MANUAL

- Thank you very much for reading the preview of the manual.
- You can download the complete manual from: [www.heydownloads.com](http://www.heydownloads.com) by clicking the link below



- Please note: If there is no response to CLICKING the link, please download this PDF first and then click on it.

CLICK HERE TO **DOWNLOAD** THE COMPLETE MANUAL

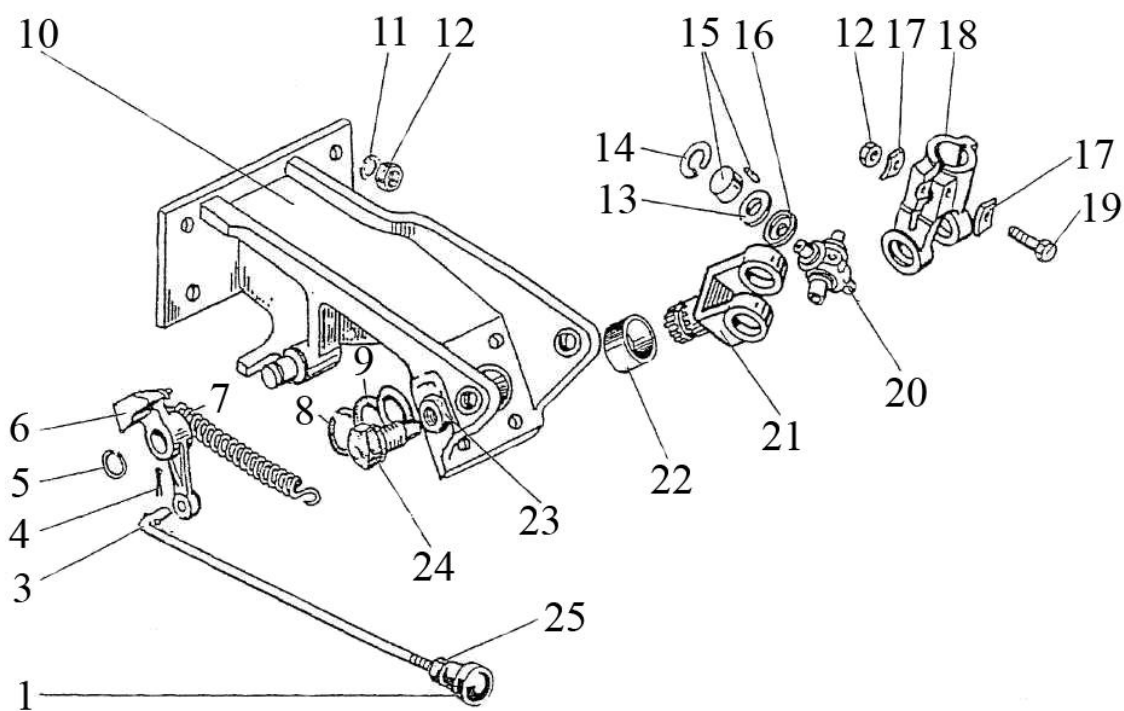
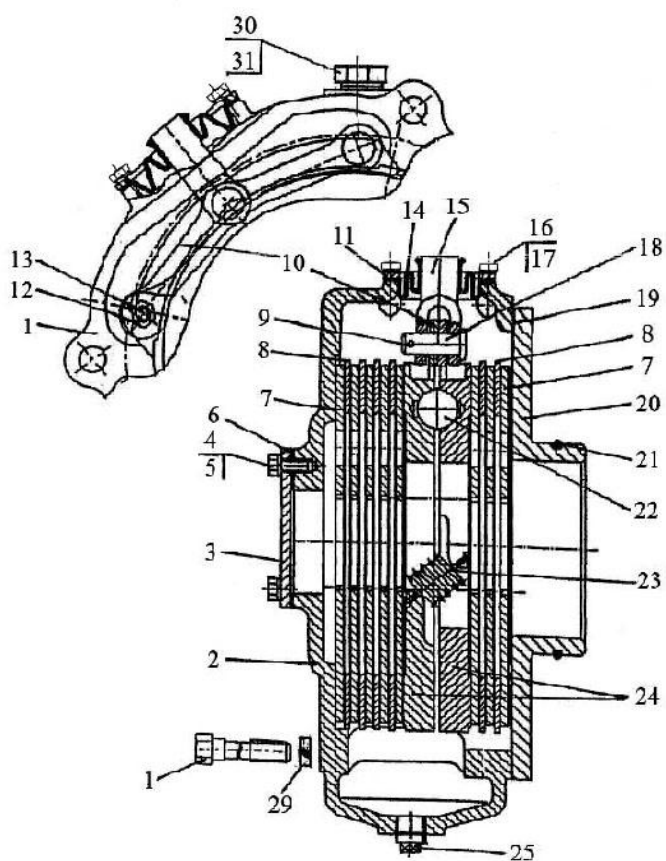
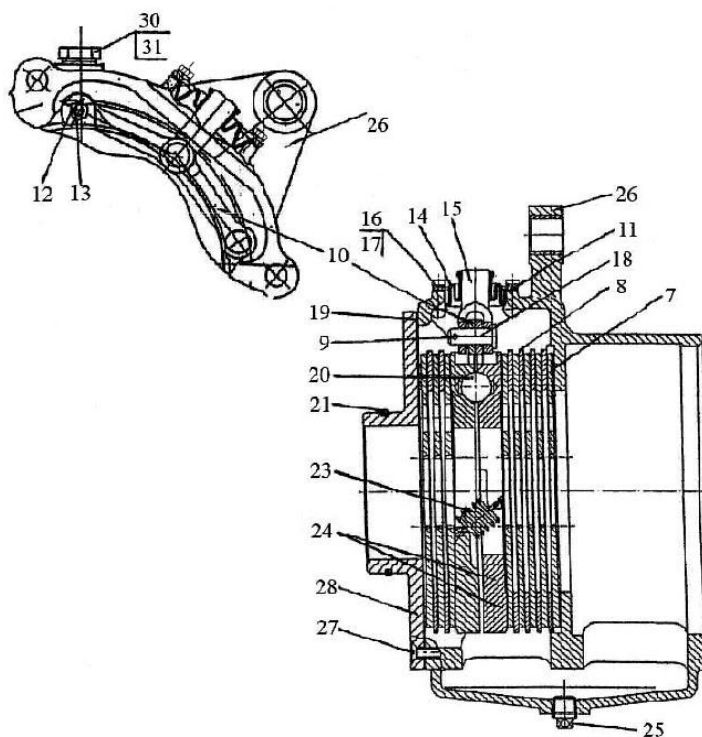


Fig. 34.1 Steering column



Left brake



Right brake

Fig. 35.1 Wet brakes

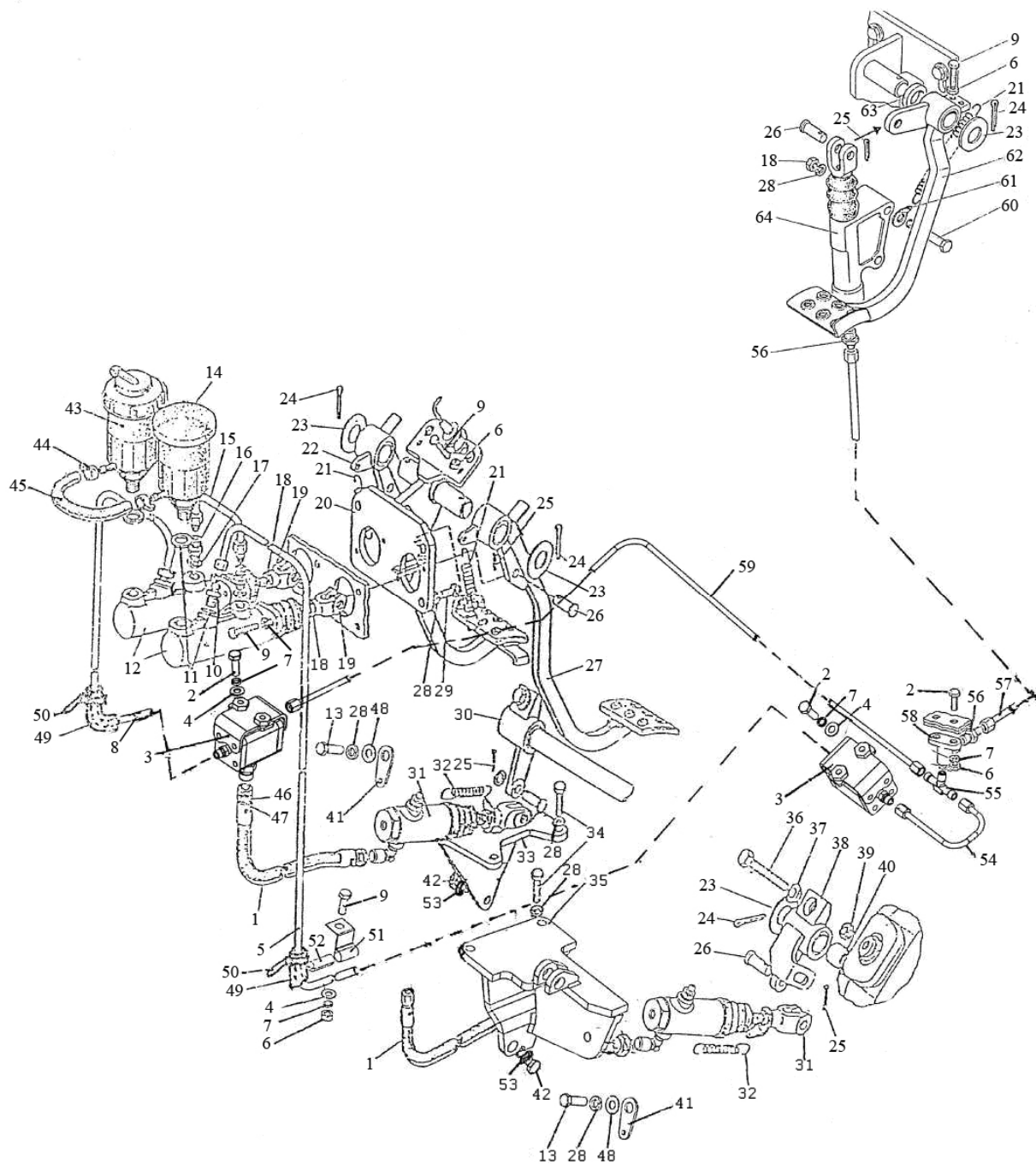


Fig. 35.4 Wet brakes control (variant)

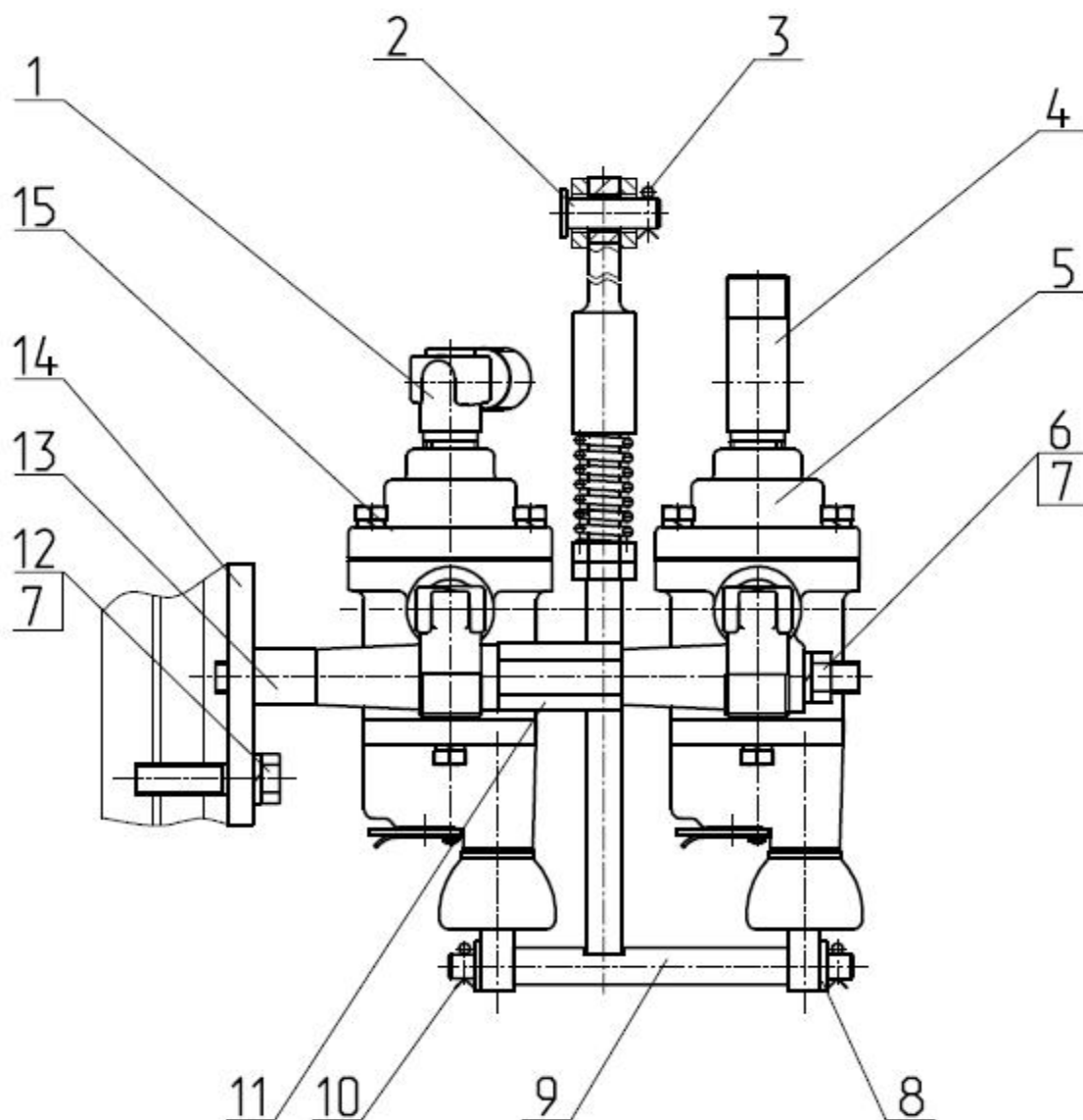


Fig. 35.8 Break valve

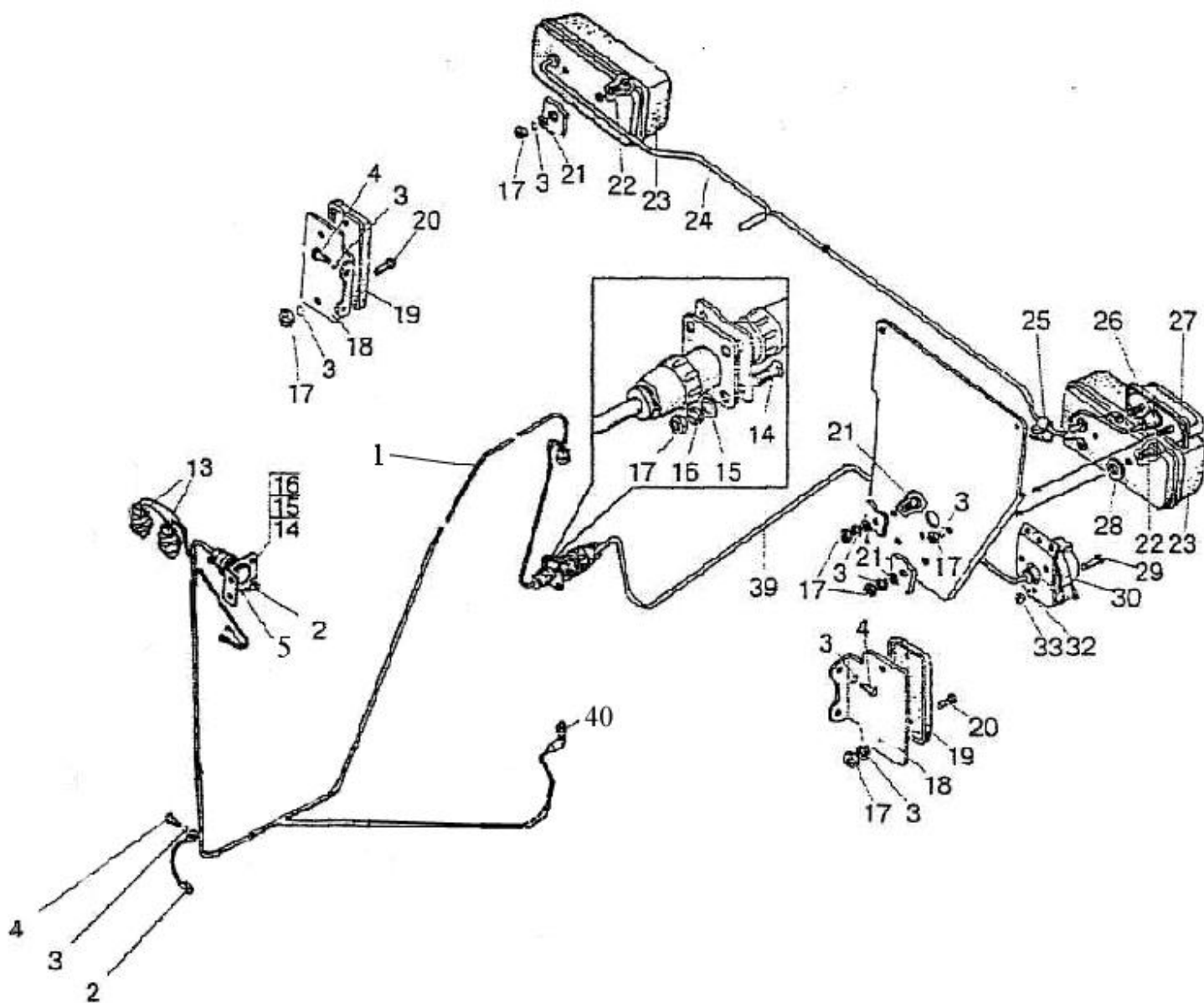


Fig. 37.5 Cabin electrical equipment I

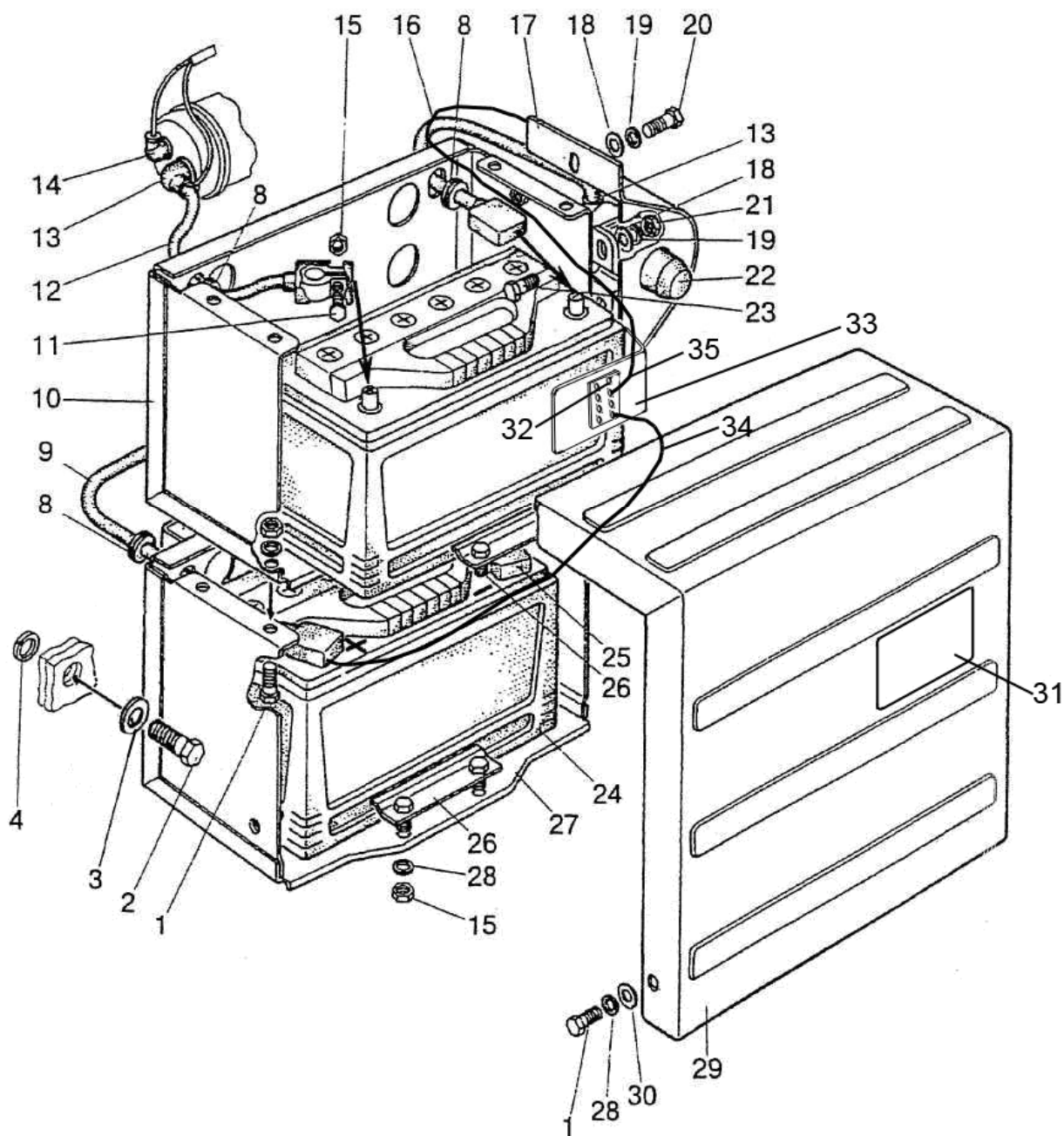


Fig. 37.9 Storage battery installation

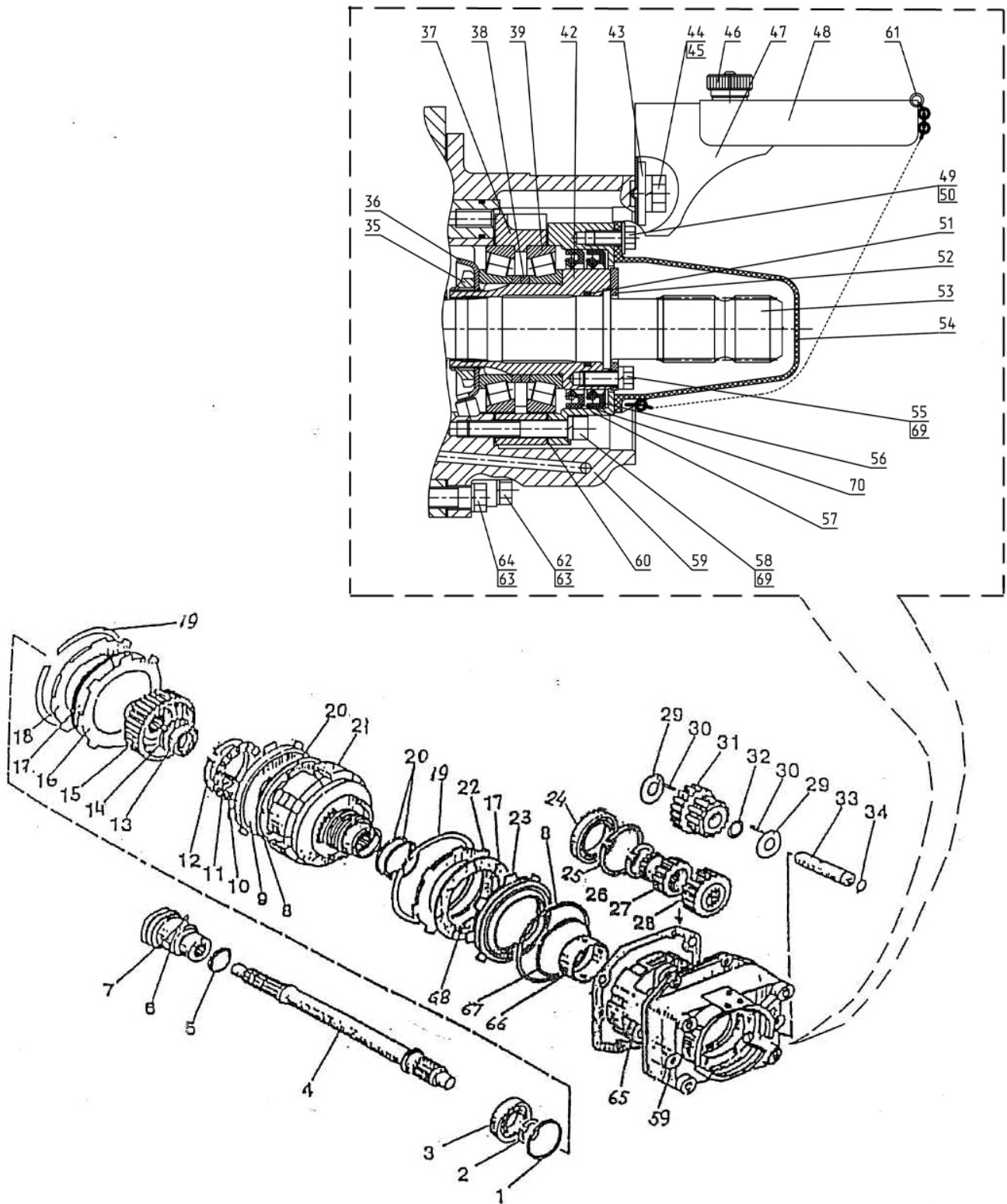


Fig. 42.1 PTO shaft

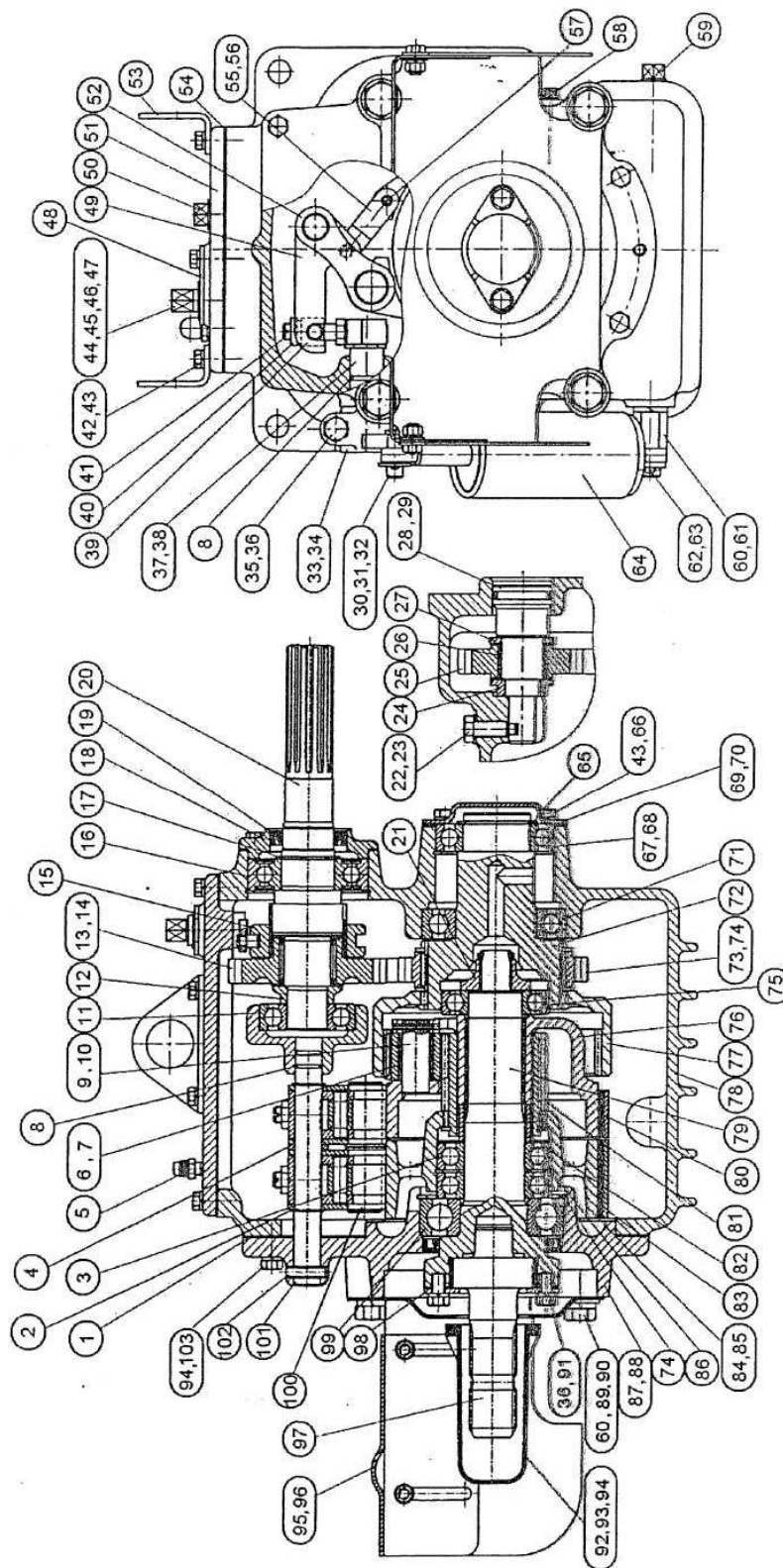


Fig. 42.3 Front PTO shaft reduction unit

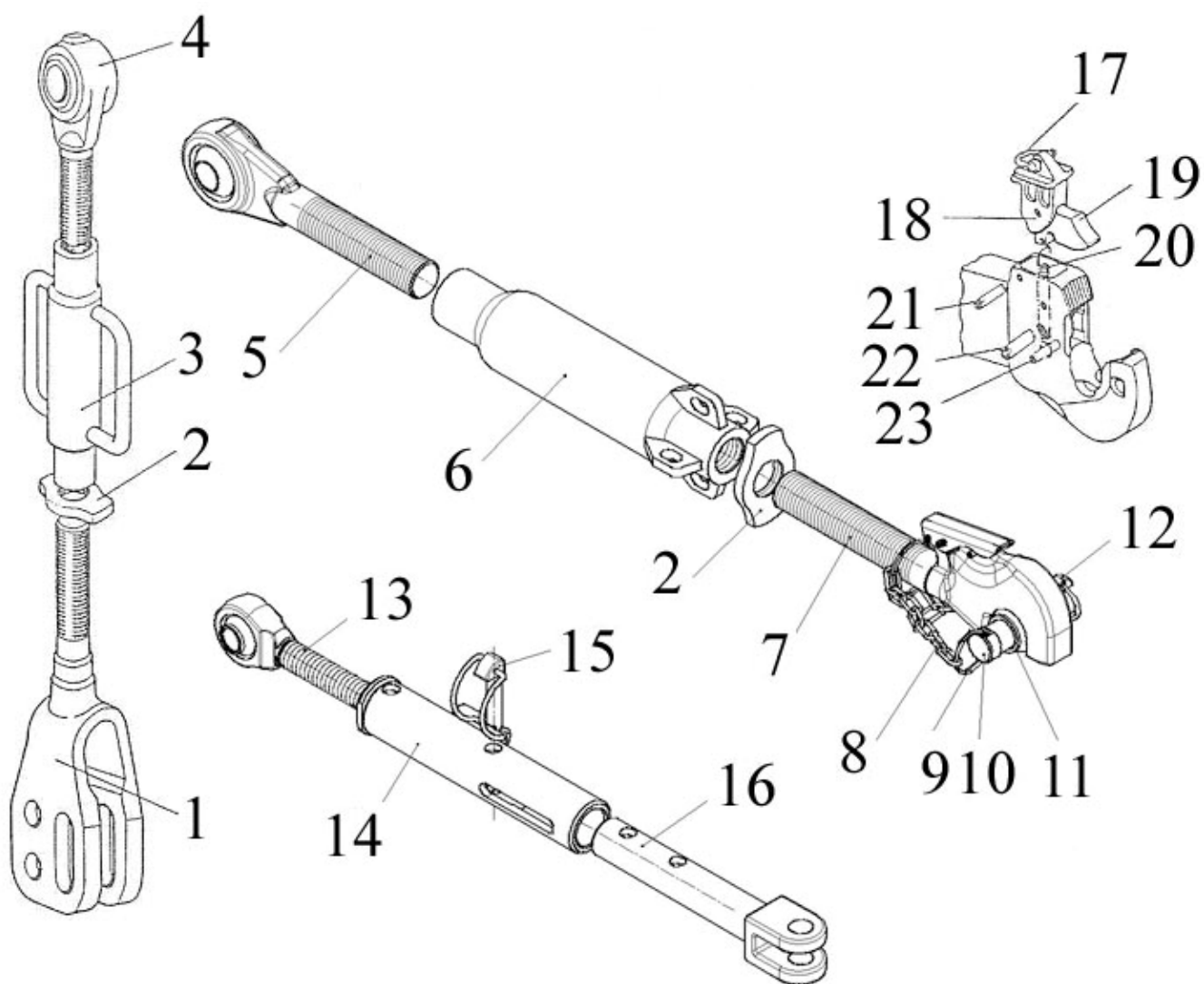


Fig. 46.2 Lift linkage parts and units

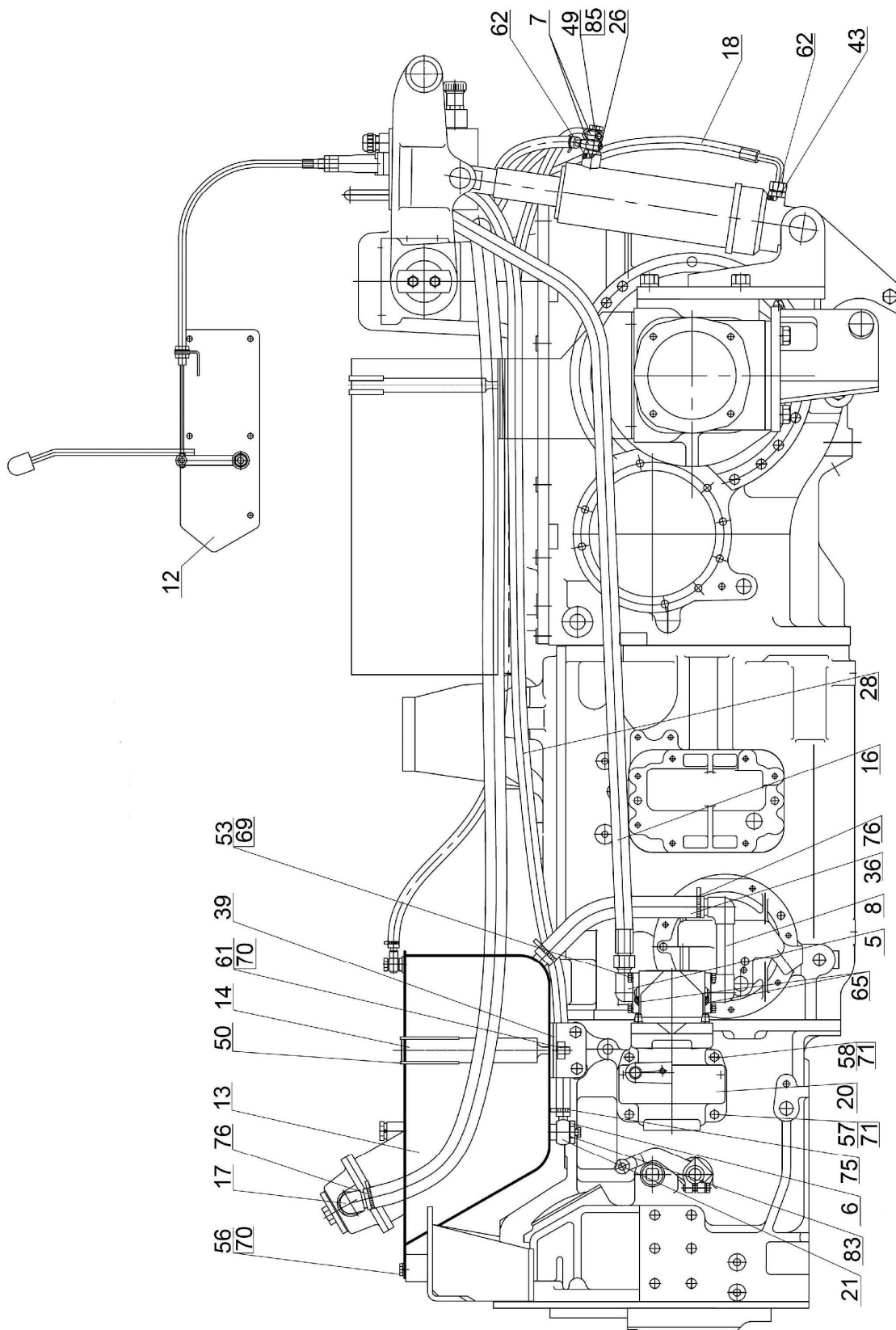


Fig. 46.7 Hydraulic units and fittings

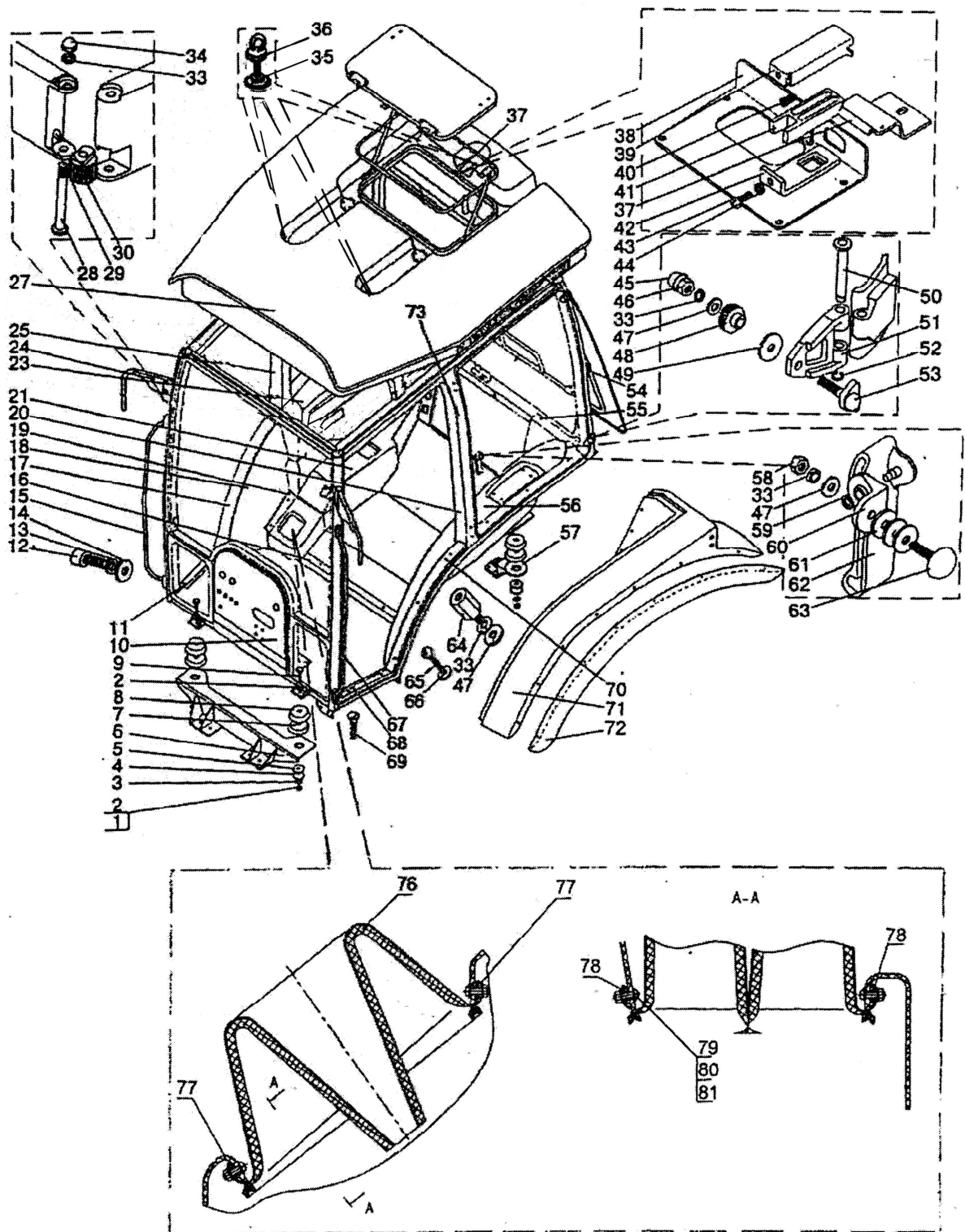


Fig. 67.1 Cabin

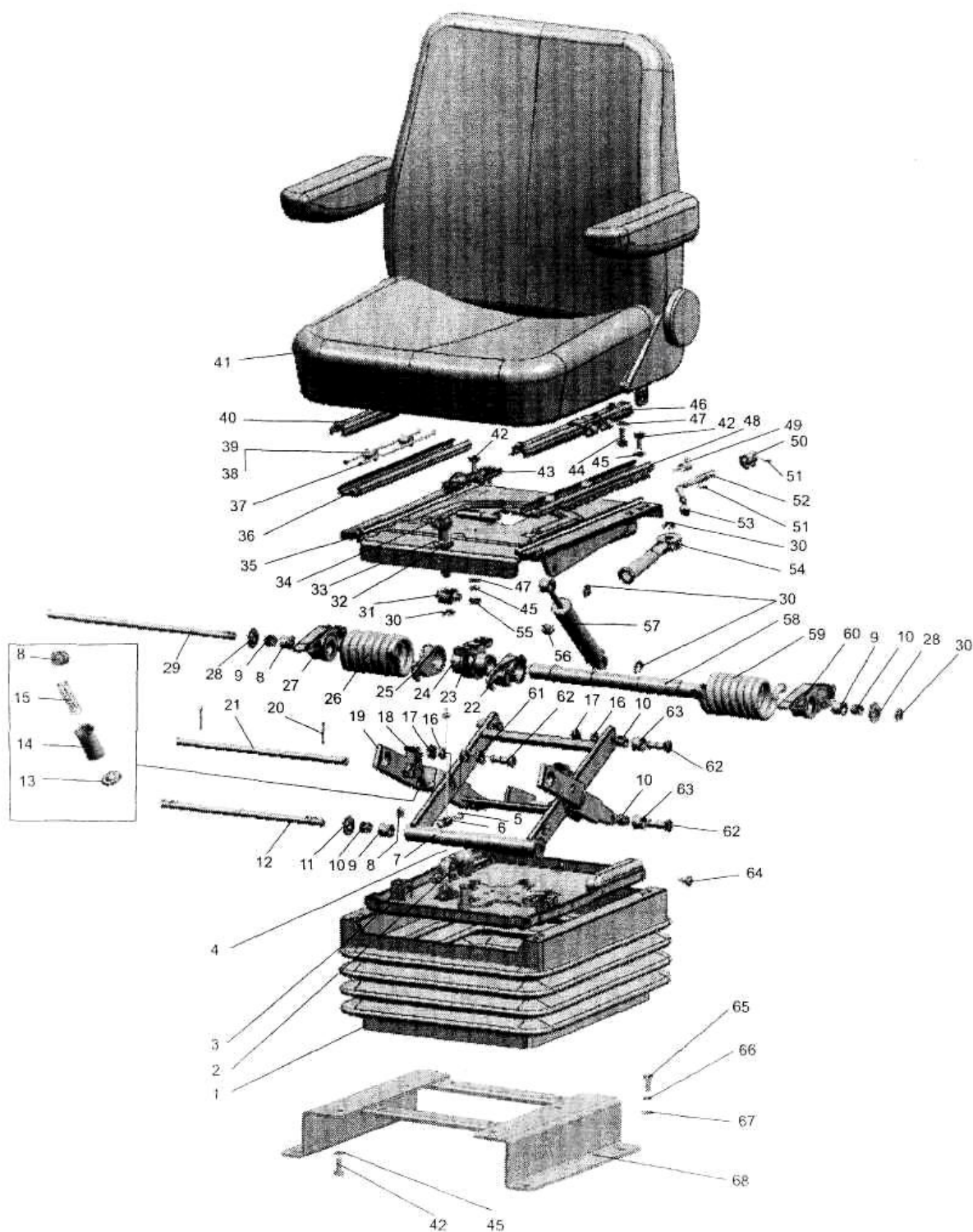


Fig. 68.1 Operator seat

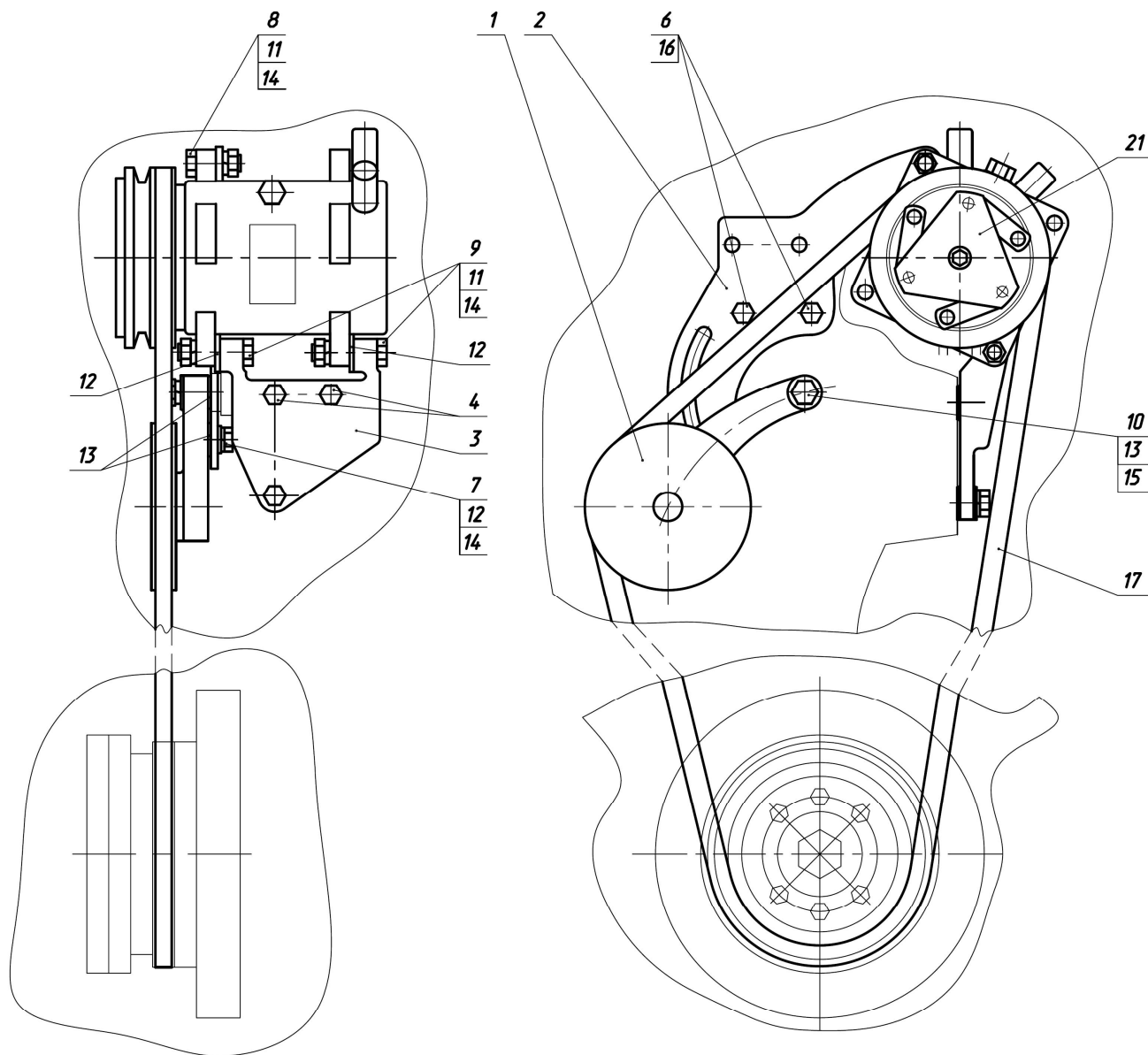


Fig. 81.2 Compressor installation

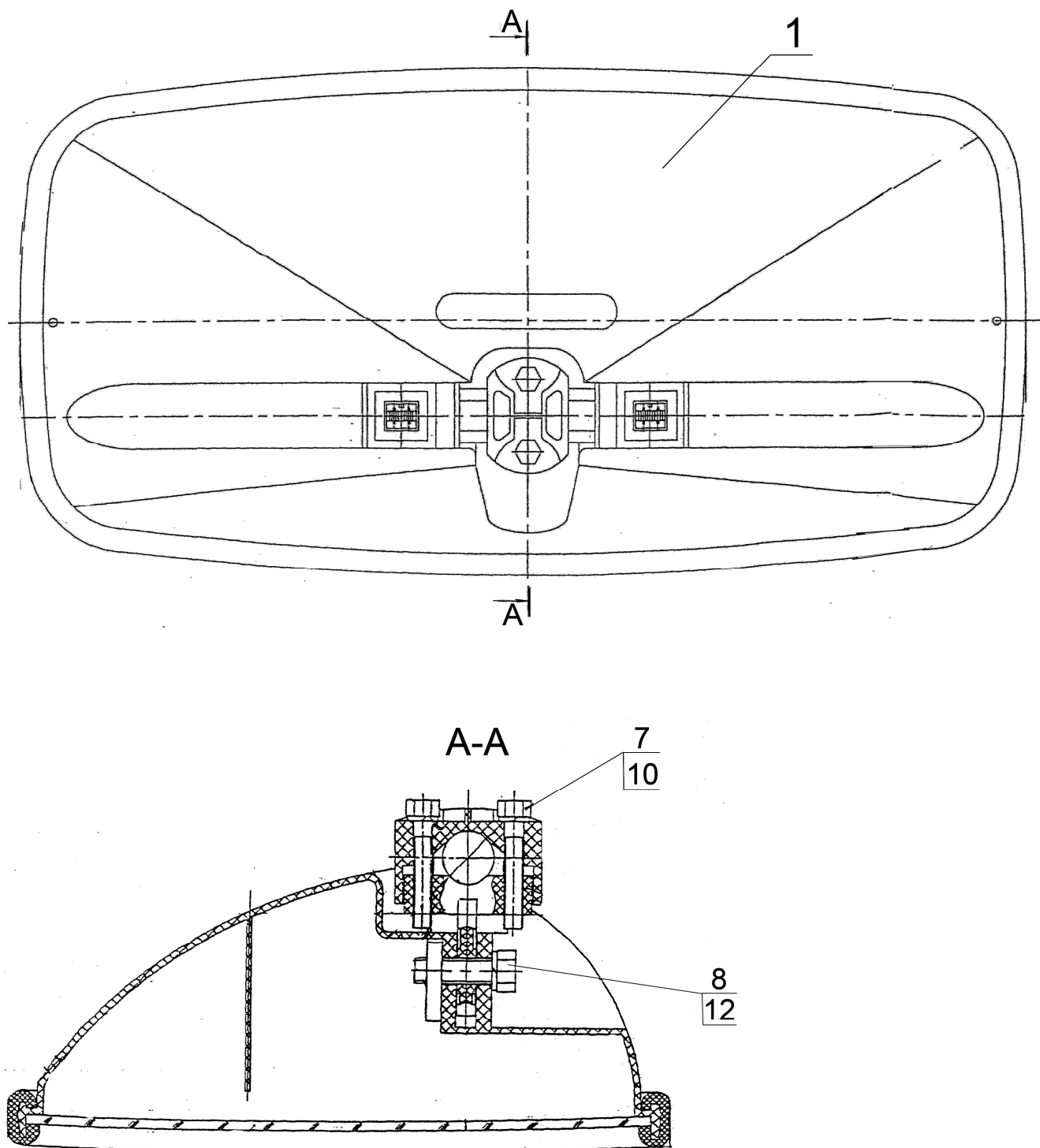


Fig. 82.2 Side rear-view mirror

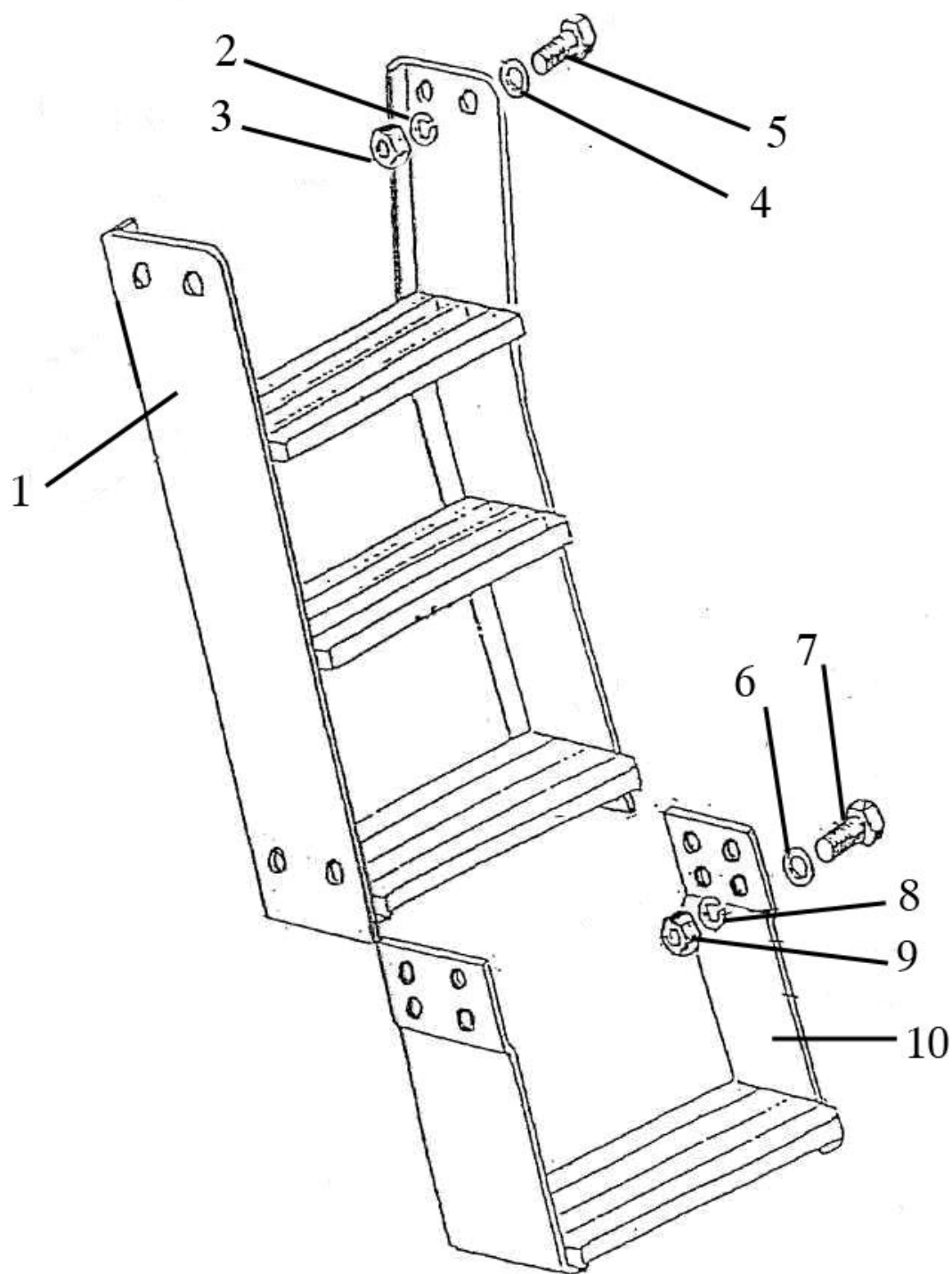


Fig. 84.4 Foot step

CLICK HERE TO **DOWNLOAD** THE COMPLETE MANUAL

- Thank you very much for reading the preview of the manual.
- You can download the complete manual from: [www.heydownloads.com](http://www.heydownloads.com) by clicking the link below



- Please note: If there is no response to CLICKING the link, please download this PDF first and then click on it.

CLICK HERE TO **DOWNLOAD** THE COMPLETE MANUAL