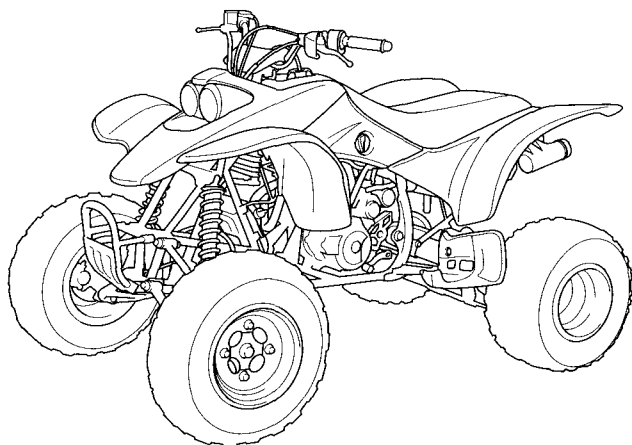


**1999
TRX 400EX**

HONDA FOURTRAX 400EX OWNER'S MANUAL

The TRX400EX is designed as a high-performance sport model to be used only by highly-experienced operators with advanced skills.



FOR OFF-ROAD USE ONLY

This vehicle is designed and manufactured for off-road use only.
USA only:

It conforms to US EPA Noise Emission regulations, but does not conform to Federal Motor Vehicle Safety Standards or US EPA Exhaust Emission regulations, and operation on public streets, roads, or highways is illegal. The vehicle is equipped with a USDA qualified spark arrester. Obey local laws and regulations.

It conforms to California exhaust emission regulations for ATVs.

CLICK HERE TO **DOWNLOAD** THE COMPLETE MANUAL

- Thank you very much for reading the preview of the manual.
- You can download the complete manual from: www.heydownloads.com by clicking the link below




- Please note: If there is no response to CLICKING the link, please download this PDF first and then click on it.

CLICK HERE TO **DOWNLOAD** THE COMPLETE MANUAL

USA only

WARNING

Improper use of ATVs can result in SEVERE INJURY or DEATH



ALWAYS USE AN APPROVED HELMET AND PROTECTIVE GEAR **NEVER USE ON PUBLIC ROADS** **NEVER CARRY PASSENGERS WITH DRUGS OR ALCOHOL** **NEVER USE OR ALCOHOL**

NEVER operate :

- without proper training or instruction.
- at speeds too fast for your skills or the conditions.
- on public roads - a collision can occur with another vehicle.
- with a passenger - passengers affect balance and steering and increase risk of losing control.

ALWAYS :

- use proper riding techniques to avoid vehicle overturns on hills and rough terrain and in turns.
- avoid paved surfaces - pavement may seriously affect handling and control.

READ THE OWNER'S MANUAL.
FOLLOW ALL INSTRUCTIONS AND WARNINGS.

S

SPORT MODEL

THIS ATV IS FOR RECREATIONAL USE BY EXPERIENCED OPERATORS ONLY

OPERATOR ONLY-NO PASSENGERS

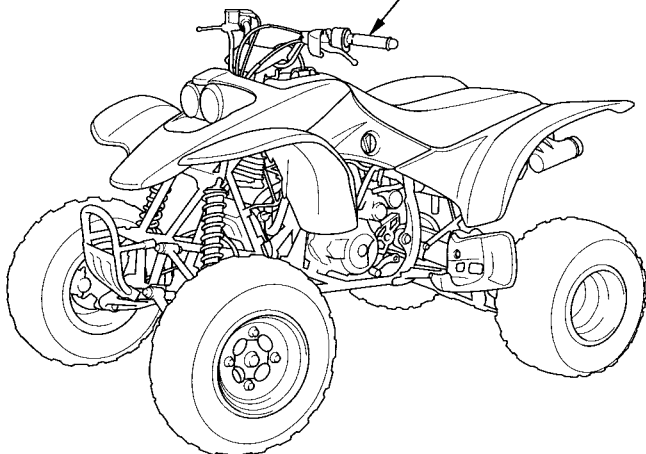
NO OPERATOR UNDER AGE 16

THIS CATEGORY S (SPORT) ATV IS A HIGH PERFORMANCE ATV FOR OFF ROAD USE ONLY. IT IS FOR SPORT TYPE RECREATIONAL AND COMPETITIVE USE BY OPERATORS WITH ADVANCED SKILLS AND SUBSTANTIAL EXPERIENCE.

TRAINING COURSES TO TEACH ATV RIDING SKILLS ARE AVAILABLE.FOR INFORMATION CONTACT YOUR DEALER.

CHECK WITH YOUR DEALER TO FIND OUT ABOUT STATE OR LOCAL LAWS REGARDING ATV OPERATION.

THIS HANGTAG IS NOT TO BE REMOVED BEFORE SALE



Throttle Lever

The throttle lever (Fig. 2-8) is next to the right handgrip, and it is operated by the thumb. Pressing the lever opens the throttle. When pressure is released, spring tension automatically closes the throttle.

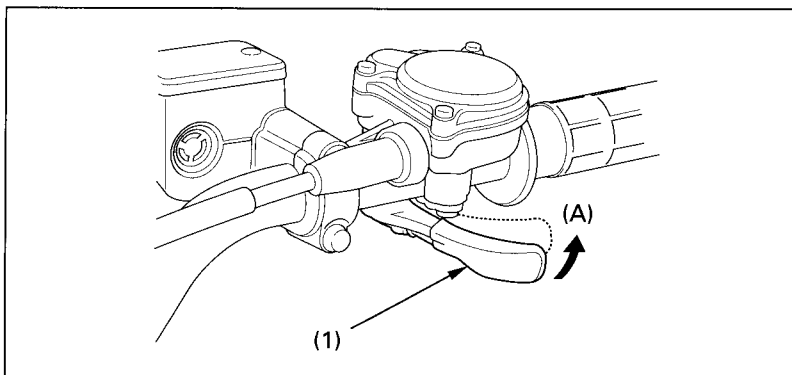


Fig. 2-8

(1) Throttle lever
(A) To open the throttle

Rear Brake

The rear brake pedal (1) is near the right footpeg.

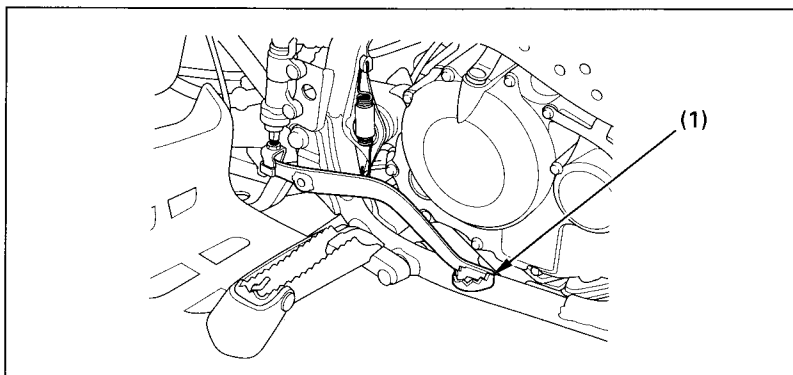


Fig. 2-9

(1) Rear brake pedal

Compression damping:

To reduce (SOFT):

Turn the adjuster counterclockwise toward SOFT for a light load and smooth road conditions.

To increase (HARD):

Turn the adjuster clockwise toward HARD for a firmer ride and rough road conditions.

To adjust the adjuster to the standard position, proceed as follows:

1. Turn the damping adjuster (1) clockwise until it will no longer turn. This is the full hard setting.
2. The adjuster is set in the standard position when the adjuster is turned counterclockwise approximately 2 turns so that its punch mark (2) aligns with the reference punch mark (3).

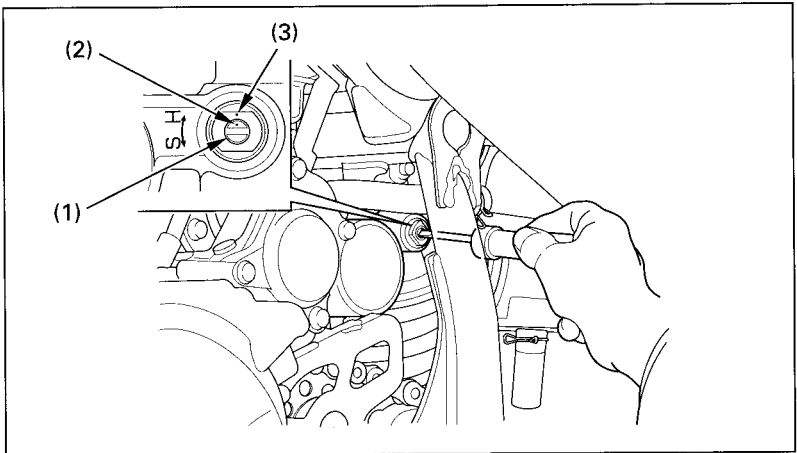


Fig. 2-19

- (1) Damping adjuster
- (2) Punch mark
- (3) Reference punch mark

Loading

Load Limits

There are limits to how much weight can be carried on your FOURTRAX.

NOTE:

The following weight limits apply to standard equipment only. Modifying your FOURTRAX, using non-standard equipment or riding on terrain that is not flat and smooth could further reduce these limits.

Maximum weight capacity 243 lbs (110 kg) maximum
(Combined weight of the rider, all accessories and all cargo)

You should never ride your FOURTRAX on public streets, roads or highways, even if they are not paved. Drivers of street vehicles may have difficulty seeing and avoiding you, which could lead to a collision.

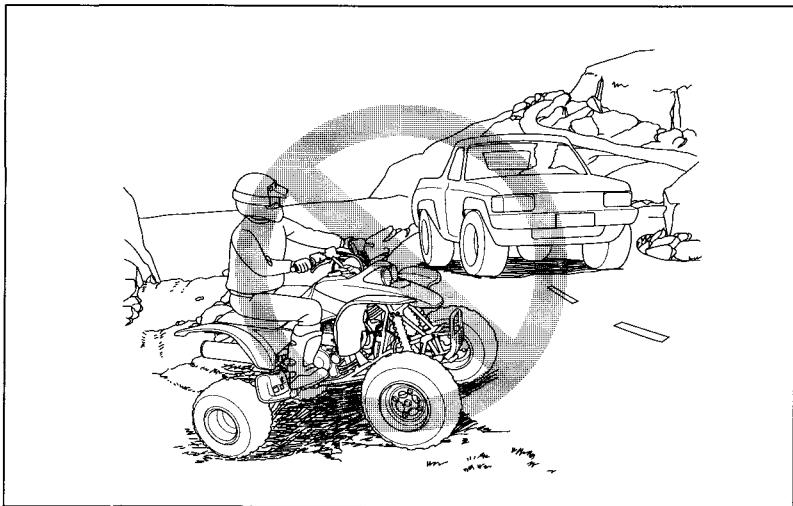


Fig. 3-4

Never ride on public roads or highways.

▲ WARNING

POTENTIAL HAZARD

Operating this ATV on public streets, roads or highways.

WHAT CAN HAPPEN

You can collide with another vehicle.

HOW TO AVOID THE HAZARD

Never operate this ATV on any public street, road or highway, even a dirt or gravel one.

In many states it is illegal to operate ATVs on public streets, roads and highways.

High Air Temperature

35 °C (95 °F) or above

1. Do not use the choke.
2. With the throttle slightly open, push the starter button.

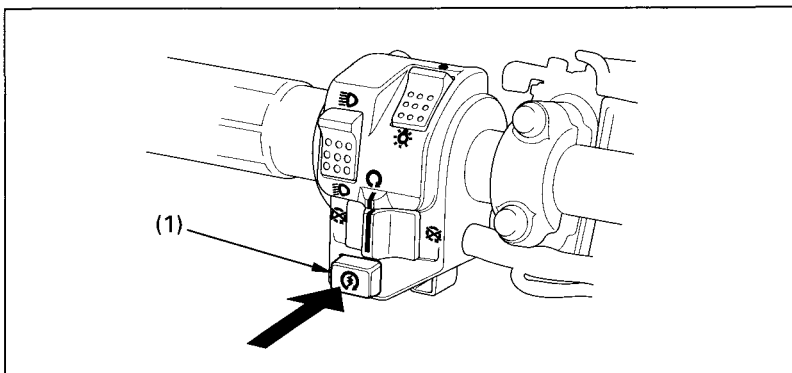


Fig. 3-10

(1) Starter button

Low Air Temperature

10 °C (50 °F) or below

1. Follow step 1 – 2 under “Normal Air Temperature”.

NOTE:

If the engine does not start after several attempts, operate the starter button after opening and closing the throttle lever several times.

2. Warm up the engine by opening and closing the throttle slightly.
3. When the engine begins to run slightly rough, push the choke lever (Fig. 3-9) down to the halfway position (B).
4. Continue warming up the engine until it runs smoothly and responds to the throttle, then push the choke lever (Fig. 3-9) down all the way to fully OFF (A).
5. If idling is unstable, open the throttle slightly.

CAUTION:

- * **Extended use of the choke may impair piston and cylinder wall lubrication and shorten the life of the engine.**
- * **Do not race the engine during the warm-up period.**
Racing a cold engine wastes fuel and increases engine wear.

CLICK HERE TO **DOWNLOAD** THE COMPLETE MANUAL

- Thank you very much for reading the preview of the manual.
- You can download the complete manual from: www.heydownloads.com by clicking the link below



- Please note: If there is no response to CLICKING the link, please download this PDF first and then click on it.

CLICK HERE TO **DOWNLOAD** THE COMPLETE MANUAL

▲ WARNING

POTENTIAL HAZARD

Stalling, rolling backwards or improperly dismounting while climbing a hill.

WHAT CAN HAPPEN

Could result in ATV overturning.

HOW TO AVOID THE HAZARD

Use proper gear and maintain steady speed when climbing a hill.

If you lose all forward speed:

Keep weight uphill.

Apply the brakes.

Lock parking brake, after you are stopped.

If you begin rolling backwards:

Keep weight uphill.

Never apply the rear brake abruptly while rolling backwards.

Apply the front brake.

When fully stopped, apply rear brake as well, and then lock parking brake.

Dismount on the uphill side if the vehicle is not pointed straight uphill.

Back the vehicle down the hill, following the instructions in this Owner's Manual.

MAINTENANCE AND REPAIRS

EMISSION REQUIREMENTS

The California Air Resources Board (CARB) requires that your FOURTRAX comply with applicable exhaust emissions standards during its useful life, when operated and maintained according to the instructions provided.

The Vehicle Emission Control Information Label (1) is attached on the right side of the frame.

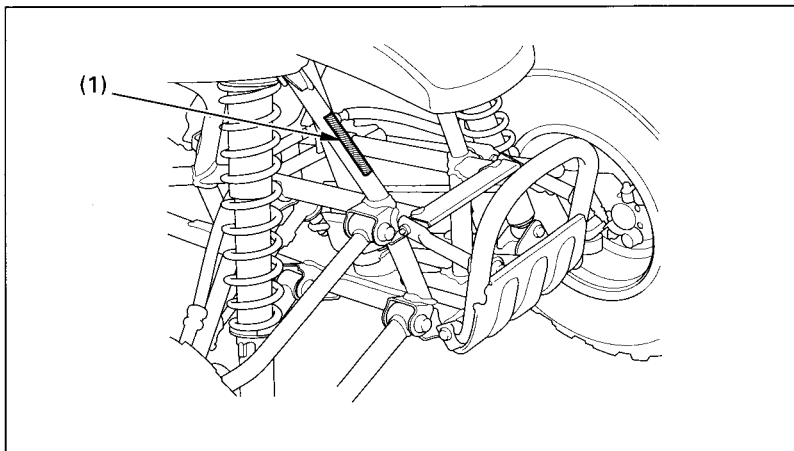


Fig. 3-17

(1) Vehicle Emission Control Information Label

AIR CLEANER

Air Cleaner Filter

The air cleaner accumulates dust and must be cleaned periodically. If the FOURTRAX is ridden in dusty areas, the air cleaner must be cleaned at more frequent intervals than specified in the Maintenance Schedule.

If the FOURTRAX is submerged in water, the air cleaner should be checked and water should be drained from the air cleaner housing before starting the engine.

To clean the air cleaner:

1. Remove the seat by pulling up the seat lock lever (1) (Fig. 4-5).
2. Unlatch the six retainer clips (2) and remove the air cleaner housing cover (3).

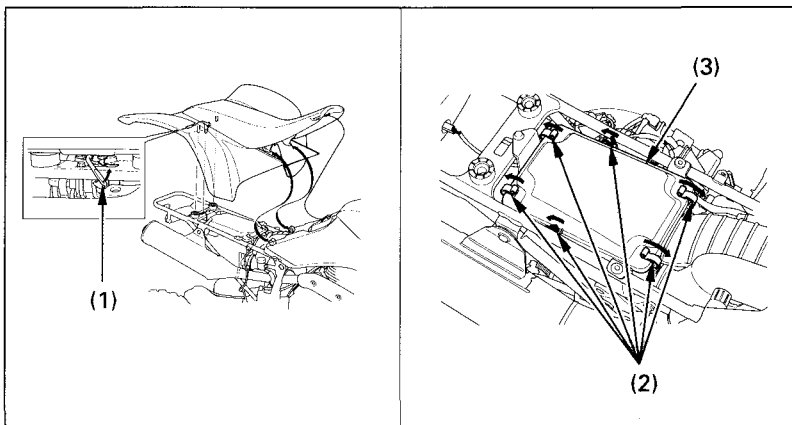


Fig. 4-5 (1) Seat lock lever

(2) Retainer clips
(3) Air cleaner housing cover

Changing the Engine Oil and Oil Filter

Engine oil should be changed in accordance with the Maintenance Schedule. Use motor oils of the grade and viscosity recommended.

When changing oil, drain the oil from the oil tank and crankcase while the engine is still warm. This will ensure complete and rapid draining.

To change the oil and oil filter:

1. With the FOURTRAX on level ground, start the engine and let it idle for a few minutes.
2. Stop the engine, place an oil drain pan under the oil tank and crankcase. Remove the oil filler cap/dipstick, the drain bolt (1) on the oil tank and drain bolt (2) on the left crankcase (Fig. 4-12).
3. After the oil has drained, make sure the sealing washers on the drain plugs are in good condition.
4. Install the drain bolts.

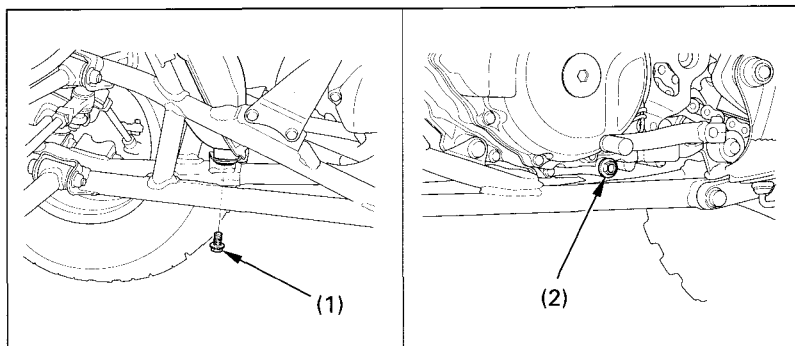


Fig. 4-12

- (1) Drain bolt (oil tank)
(2) Drain bolt (left crankcase)

CLUTCH

Clutch Adjustment

Clutch adjustment may be required if the FOURTRAX stalls when shifting into gear, if it tends to creep, or if the clutch slips, causing acceleration to lag behind engine speed.

Normal clutch lever freeplay at the lever (1), (Fig. 4-19) is:

3/8 – 13/16 in (10 – 20 mm)

1. Pull back the dust cover (2), (Fig. 4-20). Loosen the lock nut (4) and turn the clutch cable adjuster (3). Tighten the lock nut (4) and check the adjustment.

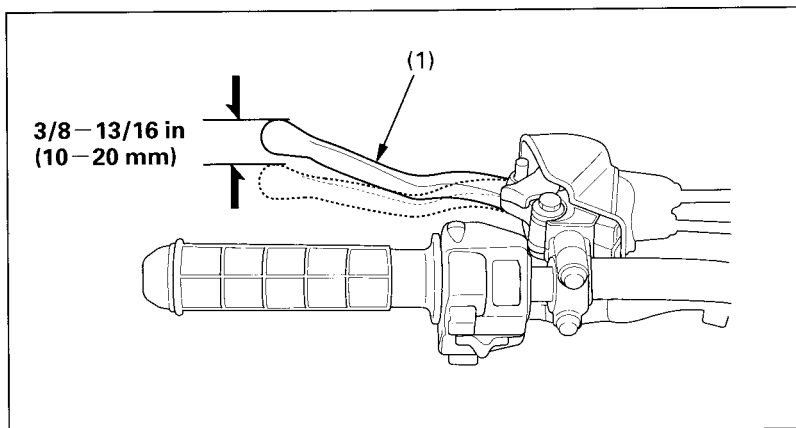


Fig. 4-19

(1) Clutch lever

Rear Brake Fluid Level:

Check if the fluid level is below the lower level mark (1).

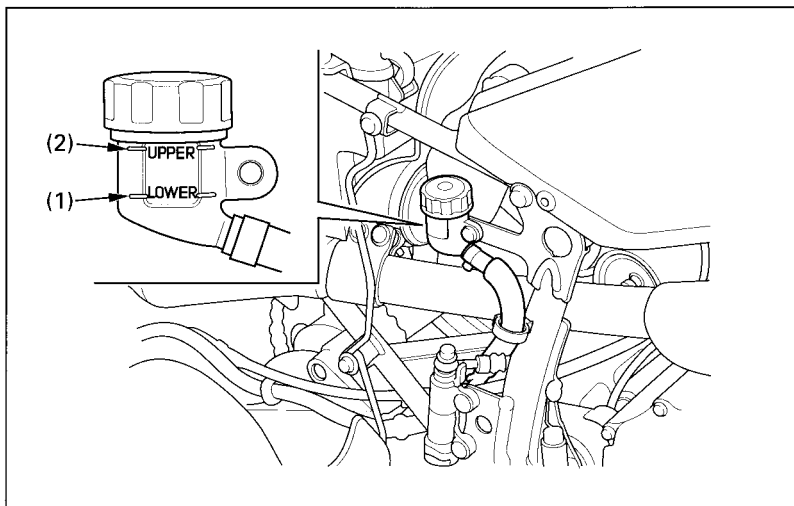


Fig. 4-24 (1) Lower level mark

(2) Upper level mark

SEAT REMOVAL

To remove the seat (Fig. 4-32), pull up the seat lock lever (1) behind the seat and lift it up.

If the muffler is hot, take care to lift the seat so that the rear fender does not touch the silencer.

CAUTION:

Allowing the rear fender to touch a hot muffler while removing the seat may damage the plastic.

To install the seat, align the tabs on the seat with the grommets on the frame and press the seat down until it locks.

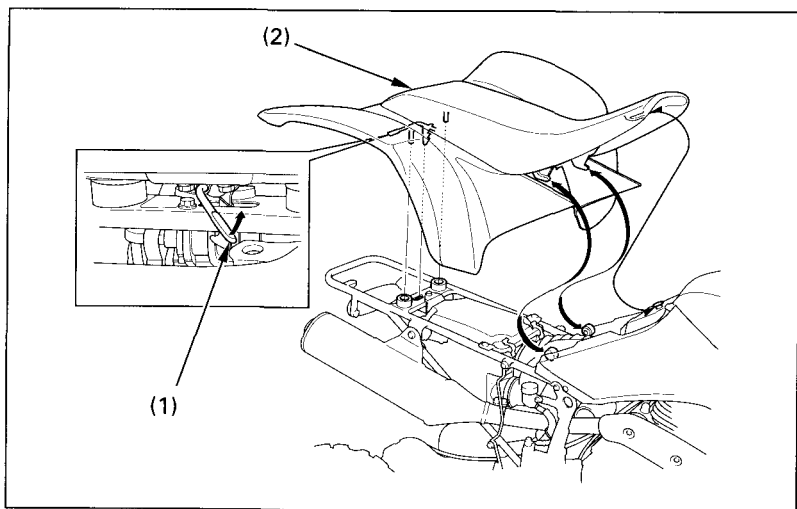


Fig. 4-32

(1) Seat lock lever

(2) Seat

STORING YOUR FOURTRAX

STORAGE

Before storing your FOURTRAX for an extended time, be sure you thoroughly check the vehicle for needed repairs and have them corrected. Otherwise, the repairs may be forgotten by the time you remove the vehicle from storage.

In addition, extended storage requires that you take the following steps to reduce the effects of deterioration from non-use of the vehicle:

1. Change the engine oil and oil filter.
2. Lubricate the drive chain.
3. Drain the fuel tank and carburetor. Be sure to drain the fuel in a well-ventilated area, not in a garage.

CLICK HERE TO **DOWNLOAD** THE COMPLETE MANUAL

- Thank you very much for reading the preview of the manual.
- You can download the complete manual from: www.heydownloads.com by clicking the link below



- Please note: If there is no response to CLICKING the link, please download this PDF first and then click on it.

CLICK HERE TO **DOWNLOAD** THE COMPLETE MANUAL