

Owner, Operator, Maintenance, and Parts Manual

Models RJ50-N and RJ50-P Hand Pallet Lift Trucks

Owner, Operator, Maintenance, and Parts Manual

Models RJ50-N and RJ50-P Hand Pallet Lift Trucks



RAYMOND

CLICK HERE TO **DOWNLOAD** THE COMPLETE MANUAL

- Thank you very much for reading the preview of the manual.
- You can download the complete manual from: www.heydownloads.com by clicking the link below



- Please note: If there is no response to CLICKING the link, please download this PDF first and then click on it.

CLICK HERE TO **DOWNLOAD** THE COMPLETE MANUAL

Handling The Load

⚠ WARNING

Always wear appropriate safety apparel, such as safety shoes, safety glasses, and heavy-duty gloves when working with a hand pallet lift truck.

Never ride on the hand pallet lift truck. The hand pallet lift truck is used **only** to transport loads.

To avoid injury, do the following: (For location of numbered callouts, see [Figure 4.](#))

- Make sure that there are no conditions in the hydraulic system that may cause accidental lowering.
- Before lowering, make sure the area beneath the forks is clear.
- **Always** keep your hands on the control handle.

- Do **not** place your hands between the control handle (1) and the control handle bracket (3).
- Do **not** place your hands between the top cap (4) and the top nut (5).

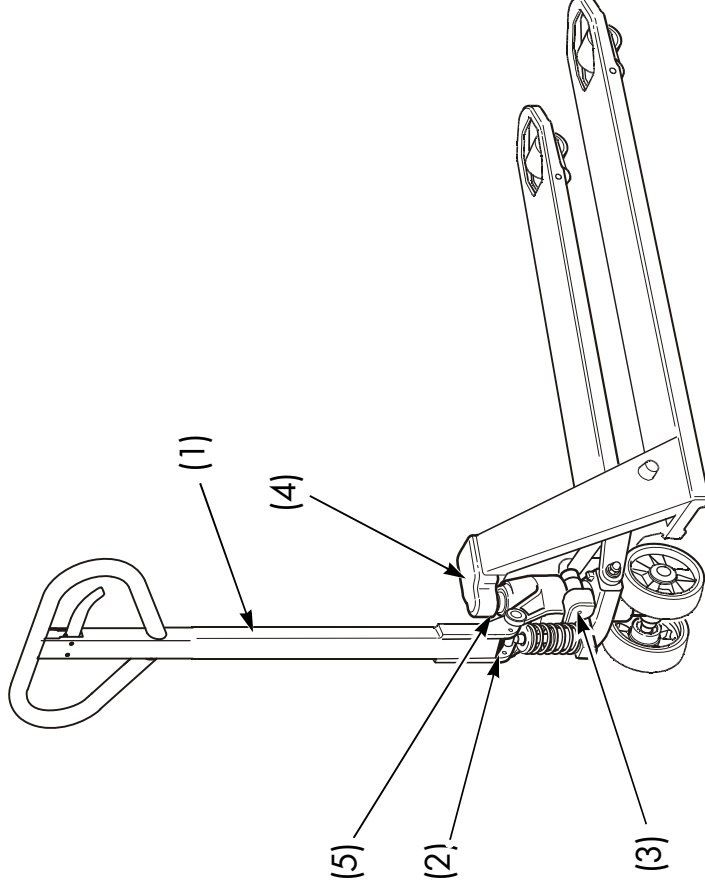


Figure 4. The Hand Pallet Lift Truck
(See [Table 1](#) on page 9.)

Safety Regulations for Maintenance Work

Safety Regulations for Maintenance Work

- Properly store or dispose of used oil. Follow manufacturer's instructions.
- Properly dispose of used solvents and all other cleaning/washing chemicals. Do *not* flush down drains. Follow manufacturer's instructions for proper disposal.

⚠ WARNING

Before welding or grinding on painted surfaces *always* sandblast (remove) at least 4 to 6 in. (102 to 152 mm) of paint. Heated paint gives off harmful gases.

⚠ WARNING

***Always* secure the hand pallet lift truck when carrying out repairs. A badly supported hand pallet lift truck could cause injury.**

Safe maintenance practices conform with the following general guidelines:

- *Always* keep the area where you work clean. Oil and/or water make the floor slippery.
- *Never* wear loose fitting objects or jewelry.

RAYMOND

Hydraulic Pump - Models RJ50-N and RJ50-P

FIGURE 11 ITEM NO.	QTY	PART NUMBER	DESCRIPTION	USED ON
40	1	215288	Washer	
41	1	22032	O-Ring	R
42	1	7500112	Body, Valve	
43	1	47071	Spring	R
44	1	49513	Guide	
45	1	7500100	U-Ring	R
46	1	7500116	Piston	
47	1	7518604CE	Valve, Lowering (Complete)	
48	1	213056	Bearing, Ball	R
49	1	220312	Pin, Locking	R
50	2	20001	Pin, Locking	R
51	1	215092	Plate, Thrust	
52	1	21737	Ring, Locking	
53	1	27662	Fitting, Grease	R
54	2	20019	Ring, Locking	
55	2	161637	Spacer (Required with 200965BT Only)	
56	1	220310	Axle	
57	4	22226	Bearing	R
58			Wheel (Complete)	
	2	251189	Nylon	

R= Recommended Spare

List 11: Hydraulic Pump - Models RJ50-N and RJ50-P (Sheet 3 of 4)

CLICK HERE TO **DOWNLOAD** THE COMPLETE MANUAL

- Thank you very much for reading the preview of the manual.
- You can download the complete manual from: www.heydownloads.com by clicking the link below



- Please note: If there is no response to CLICKING the link, please download this PDF first and then click on it.

CLICK HERE TO **DOWNLOAD** THE COMPLETE MANUAL