

# OPERATOR'S AND PARTS MANUAL

## *PALLET FORK, PALLET FORK GRAPPLE & BALE SPEAR LOADER ATTACHMENTS*

| **AB11**

| **AB12**

| **AB13**

| **AB14**

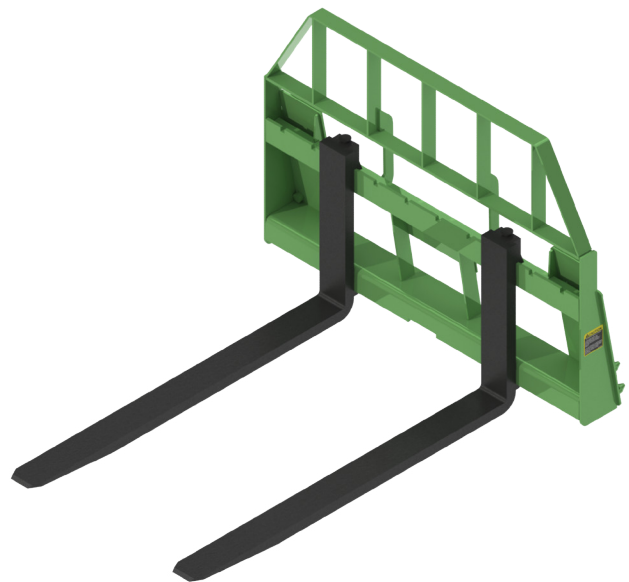
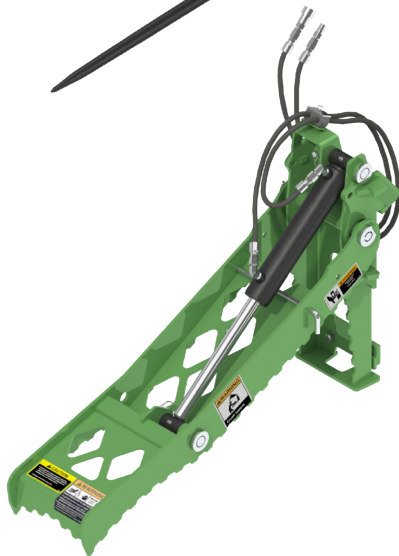
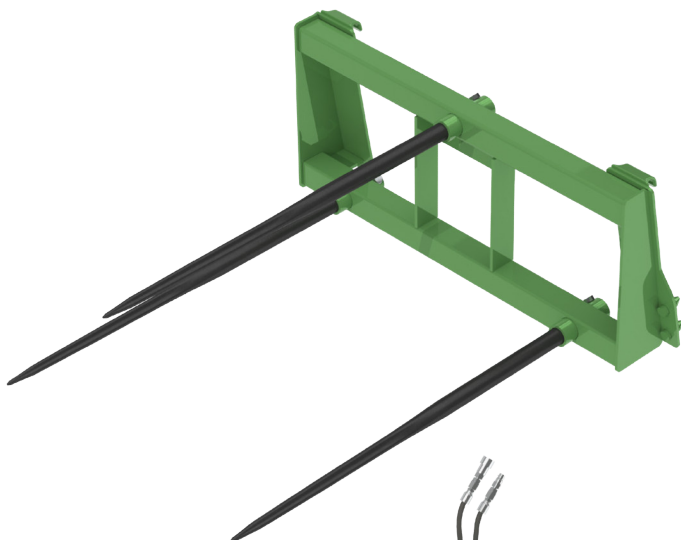
| **AB15**

| **AB18**

| **AP12**

| **AP13**

| **PG12**



MANUAL #5MP76313

**FRONTIER**<sup>™</sup>

CLICK HERE TO **DOWNLOAD** THE COMPLETE MANUAL

- Thank you very much for reading the preview of the manual.
- You can download the complete manual from: [www.heydownloads.com](http://www.heydownloads.com) by clicking the link below



- Please note: If there is no response to CLICKING the link, please download this PDF first and then click on it.

CLICK HERE TO **DOWNLOAD** THE COMPLETE MANUAL

# INSTALLATION

## ATTACHING

Attaching the pallet forks and bale spears listed in this manual is the same as attaching a standard bucket. Follow the attaching instructions in your specific loader manual.

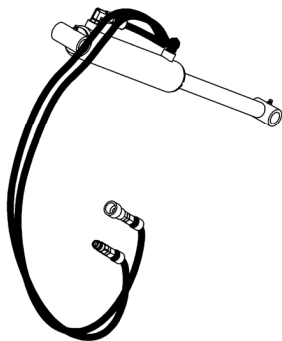
**NOTE:** If a PG12 grapple is being installed onto a AP12F or AP12G pallet fork. Install the pallet fork onto the loader first and then refer to following instructions.

## INSTALLATION OF PG12 GRAPPLE ONTO THE AP12F OR AP12G PALLET FORK

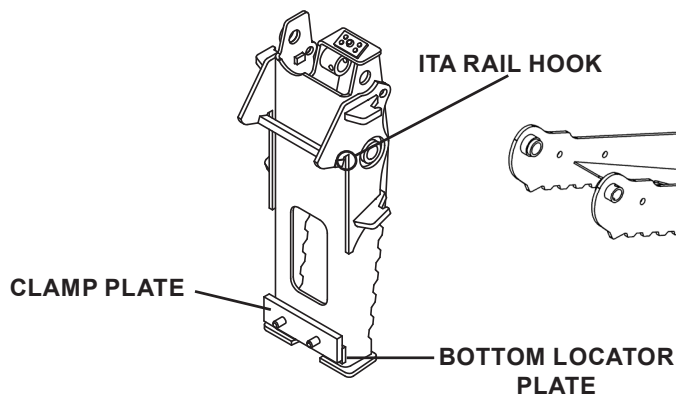
**IMPORTANT:** Do not install the PG12 Pallet Fork Grapple onto any other Pallet Fork than the AP12F or AP12G.

Your grapple shipped in three assembled pieces. The hydraulic cylinder with hoses, the frame and the grapple arm.

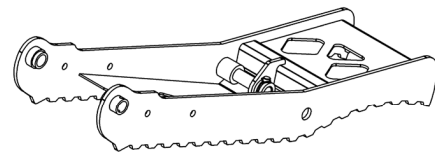
HYDRAULIC CYLINDER & HOSES



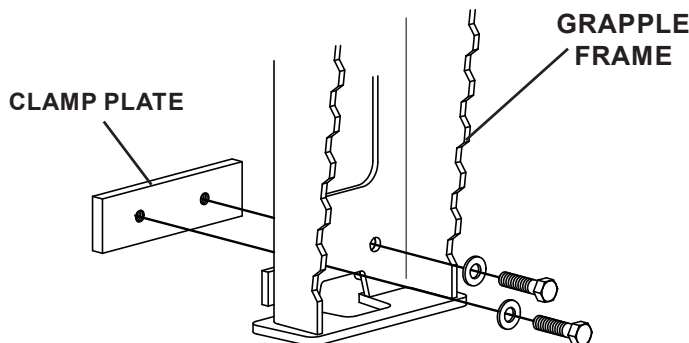
FRAME



GRAPPLE ARM



1. Remove capscrews, washers, & clamp plate.



# MAINTENANCE

## GENERAL INFORMATION

Your attachment was designed to be virtually maintenance free. Very little effort is needed to keep it in top condition. It is, however, important to follow these procedures to get full performance and longevity out of the equipment.

**IMPORTANT: When replacing parts, use only factory approved replacement parts. Manufacturer will not claim responsibility for use of unapproved parts or accessories and/or other damages as a result of their use.**

## LUBRICATION (PG12 ONLY)

The only lubrication your grapple needs is the greasing of the cylinder ends and the clamp pivot pin. A grease fitting has been installed to facilitate this task. We recommend greasing all grease fittings at initial installation, after the first 8 hours of operation and then every 40 hours of operation thereafter.

## DAILY OR EVERY 8 HOURS OF OPERATION

Replace any missing bolts or nuts with approved replacement parts.

Visually inspect the machine for worn parts or cracked welds. Repair as necessary.

Replace any damaged, illegible or missing decals. See Decal Identification and Replacement

## DECAL IDENTIFICATION AND REPLACEMENT

Decal placement and identification for all of the attachments can be found on the parts diagrams and lists located at the back of this manual. The decals are identified by their part numbers with reductions of the actual decals located on the page. Use this information to order replacements for missing, illegible or damaged deals. When replacing parts with safety signs attached, the safety sign must also be replaced. All Safety Decals are free of charge. Contact your local Frontier dealer for replacements.

### REPLACING SAFETY SIGNS:

1. Clean the area of application with nonflammable solvent.
2. Wash the same area with soap and water.
3. Allow the surface to fully dry.
4. Remove the backing from the safety sign exposing the adhesive surface.
5. Apply the safety sign to the location shown in the parts diagram.
6. Smooth out any bubbles.

***Helpful Hints: (1) Decals adhere to a warm surface better than a cold surface. (2) Applying heat (from a hair dryer) will greatly improve your ability to remove a damaged decal before preparing the surface for installation of a new one.***

## MONTHLY OR EVERY 40 HOURS OF OPERATION

Check all bolts, nuts and bearings for tightness. Tighten or replace as needed.

Clean equipment of dirt, oil, grease, etc. This will assist you in making a visual inspection and help avoid overlooking worn or damaged components.

**AP12D SERIES PALLET FORKS**  
**600 & 700 SERIES LOADERS**  
**PALLET FORKS WITH 42" OR 48" ITA CLASS II TINES**

<u>ITEM</u>	<u>REQ'D</u>	<u>PART NO.</u>	<u>DESCRIPTION</u>
1	1	5FP1352064	Fork Frame
2	4	5MP2560	M12 Hex Nut - CL8.8
3	1	5FP1352136	Right Latch Pin
4	2	5FP0710145	Trip Pin
5	2	5MP10195	Roll Pin
6	2	5FP0710144	Compression Spring
7	1	5FP1352135	Left Latch Pin
8	1	*5MP102032	42" ITA Class II Fork Tines - Pair ( Load Rating 5500 lbs.)
	1	*5MP102034	48" ITA Class II Fork Tines - Pair ( Load Rating 5500 lbs.)
9	2	5FPW43023	Warning Decal, Falling Loads
10	2	5FP5010010	Caution Decal, Do Not Detach Loader
11	1	-----	Serial Number Identification Tag Location
12	-	5MP116968	Replacement Tine Lock Assembly (Included with Tines)
13	-	5MP102506	Replacement Tine Lock Assembly (Included with Tines)
14	2	5FP5010013	Decal, Important, Load Rating 5500 lbs.

**\* Fork width may change without affecting load rating. Each fork load rating is stamped on side of fork. Do not exceed the rated capacity of the forks or tractor.**

**AP13F SERIES PALLET FORKS**  
**200, 300, 400 & 500 SERIES LOADERS**  
**PALLET FORKS WITH 42" OR 48" FLOATING TINES**

<u>ITEM</u>	<u>REQ'D</u>	<u>PART NO.</u>	<u>DESCRIPTION</u>
1	1	5FP1352012	Fork Frame
2	2	5FPRHW8013	Cotter Pin
3	1	5FP13-52044	Fork Pin 1-3/8" X 49-3/4"
4	4	5FP0710128	Set Collar
5	1	*5FP10720	42" Floating Fork Tines - Pair (Load Rating 3750 lbs.)
	1	*5FP10721	48" Floating Fork Tines - Pair (Load Rating 3750 lbs.)
6	2	5FP5010010	Caution Decal, Do Not Detach Loader
7	2	5FPW43023	Warning Decal, Falling Loads
8	1	-----	Serial Number Identification Tag Location
9	1	5FPW50426	Warning Decal, Quick Lock Pins
10	2	5FP5010012	Decal, Important, Load Rating 3750 lbs.

**\* Fork width may change without affecting load rating. Each fork load rating is stamped on side of fork. Do not exceed the rated capacity of the forks or tractor.**

**AB11E BALE SPEAR**  
**300CX, 400 & 500 SERIES LOADERS**  
**SERIAL NUMBER #1XFAB11E\*\*0002522 AND UP**

<u>ITEM</u>	<u>REQ'D</u>	<u>PART NO.</u>	<u>DESCRIPTION</u>
1	1	5MP116098	Bale Spear Frame
2	1	5MP1049	3/8" UNC X 2-1/2" Hex Bolt - GR5
3	1	5MP1536	3/8" UNC Nylock Nut - GR5
4	1	5FP1352026	1-1/4" X 19-11/16" Tine
5	1	5MP116336	49" Tine
6	1	5MP1121	5/8" UNC X 3-1/4" Hex Bolt - GR5
7	2	5FPW43023	Warning Decal, Falling Loads
8	2	5FP5010010	Caution Decal, Do Not Detach Loader
9	1	-----	Serial Number Identification Tag Location
10	1	5FPW50426	Warning Decal, Quick Lock Pins
11	1	5MP1642	5/8" UNC Nylock Nut - GR5
12	2	5FP5010021	Danger Decal, Falling Loads

**UP TO SERIAL NUMBER #1XFAB11E\*\*0002521**

***NOTE: Old Style Bale Spear Frame is not available. Tine Replacement ONLY.***

13	-	5FP0710152	Replacement 49" Tine (Includes Nut - Item #13)
14	-	5FP0710148	Replacement Hex Nut (Included with Item #12) Torque to 475 ft. lbs.

**WARNING!**

**THE AB11E EXCEEDS THE LIFTING CAPACITY OF THE 300 AND THE 300X LOADERS IN THE 300 SERIES. ONLY MOUNT THIS ATTACHMENT ONTO A 300CX LOADER OR LOADERS IN THE 400 OR 500 SERIES.**

**AB12G BALE SPEAR**  
**GLOBAL CARRIER SERIES LOADERS**  
**SERIAL NUMBER #1XFAB12G\*\*0001632 AND UP**

<u>ITEM</u>	<u>REQ'D</u>	<u>PART NO.</u>	<u>DESCRIPTION</u>
1	1	5MP115590	Bale Spear Frame
2	3	5MP116336	49" Crossbolt Spear
3	3	5MP1121	5/8" UNC X 3-1/4" Hex Bolt - GR5
4	2	5FP5010021	Danger Decal, Falling Loads
5	2	5FPW43023	Warning Decal, Falling Loads
6	2	5FP5010010	Caution Decal, Do Not Detach Loader
7	1	-----	Serial Number Identification Tag Location
8	3	5MP1642	5/8" UNC Nylock Nut - GR5

**UP TO SERIAL NUMBER #1XFAB12G\*\*0001631**

***NOTE: Old Style Bale Spear Frame is not available. Tine Replacement ONLY.***

9	-	5FP0710152	Replacement 49" Tine (Includes Nut - Item #10)
10	-	5FP0710148	Replacement Hex Nut (Included with Item #9) Torque to 475 ft. lbs.

# AB14A BALE SPEAR

## 800 SERIES LOADERS

SERIAL NUMBER #1XFAB14A\*\*0000027 AND UP

<u>ITEM</u>	<u>REQ'D</u>	<u>PART NO.</u>	<u>DESCRIPTION</u>
1	1	5MP116509	Bale Spear Frame - 800 Series Loader
2	2	5MP31930	1-1/4" X 28" Tine
3	2	5MP1507	3/4" Lock Washer - GR5
4	2	5MP10011	3/4" UNF X 1-1/2" Hex Bolt - GR8
5	2	5MP116336	49" Crossbolt Spear
6	2	5MP1121	5/8" UNC X 3-1/4" Hex Bolt - GR5
7	1	-----	Serial Number Identification Tag Location
8	2	5FPW43023	Warning Decal, Falling Loads
9	2	5FP5010010	Caution Decal, Do Not Detach Loader
10	2	5MP1642	5/8" UNC Nylock Nut - GR5
11	2	5FP5010021	Danger Decal, Falling Loads

### UP TO SERIAL NUMBER #1XFAB14A\*\*0000026

**NOTE: Old Style Bale Spear Frame is not available. Tine Replacement ONLY.**

12	-	5FP0710152	Replacement 49" Tine (Includes Nut - Item #12)
13	-	5FP0710148	Replacement Hex Nut (Included with Item #11) Torque to 475 ft. lbs.

CLICK HERE TO **DOWNLOAD** THE COMPLETE MANUAL

- Thank you very much for reading the preview of the manual.
- You can download the complete manual from: [www.heydownloads.com](http://www.heydownloads.com) by clicking the link below



- Please note: If there is no response to CLICKING the link, please download this PDF first and then click on it.

CLICK HERE TO **DOWNLOAD** THE COMPLETE MANUAL