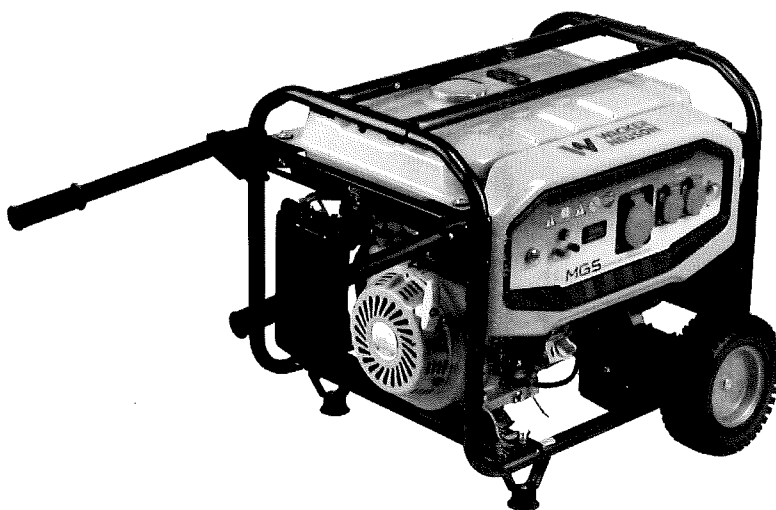


Operator's Manual

Portable Generator

**MG5**



EN

5300408556

04

0518



5 3 0 0 4 0 8 5 5 6

CLICK HERE TO **DOWNLOAD** THE COMPLETE MANUAL

- Thank you very much for reading the preview of the manual.
- You can download the complete manual from: [www.heydownloads.com](http://www.heydownloads.com) by clicking the link below



- Please note: If there is no response to CLICKING the link, please download this PDF first and then click on it.

CLICK HERE TO **DOWNLOAD** THE COMPLETE MANUAL

### 1.3 Operating Safety



#### DANGER

**Carbon monoxide.** Using a generator indoors CAN KILL YOU IN MINUTES. Generator exhaust contains carbon monoxide (CO). This is a poison you cannot see or smell. If you can smell the generator exhaust, you are breathing CO. But even if you cannot smell the exhaust, you could be breathing CO.

- ▶ NEVER use a generator inside homes, buildings, garages, crawlspaces, or other partly enclosed areas. Deadly levels of carbon monoxide can build up in these areas. Using a fan or opening windows and doors does NOT supply enough fresh air.
- ▶ ONLY use a generator outside, and far away from homes, buildings, windows, doors, and vents. Windows, doors, and vents can pull in generator exhaust.
- ▶ Point the engine exhaust away from homes, buildings, windows, doors, and vents. Also, point the engine exhaust away from combustible materials.
- ▶ Even when you use a generator correctly, CO may leak into the home or building. ALWAYS use a battery-powered or battery-backup CO alarm in the home or building.
- ▶ If you start to feel sick, dizzy, or weak after the generator has been running, move to fresh air RIGHT AWAY. See a doctor. You could have carbon monoxide poisoning.



#### WARNING

Risk of electric shock or electrocution.

- ▶ Do not operate this generator in rain, snow, or standing water.

#### Operator training

Before operating the machine:

- Read and understand the operating instructions contained in all manuals delivered with the machine.
- Familiarize yourself with the location and proper use of all controls and safety devices.
- Contact Wacker Neuson for additional training if necessary.

When operating this machine:

- Do not allow improperly trained people to operate the machine. People operating the machine must be familiar with the potential risks and hazards associated with it.

#### Operator qualifications

Only trained personnel are permitted to start, operate, and shut down the machine. They also must meet the following qualifications:

- have received instruction on how to properly use the machine
- are familiar with required safety devices

The machine must not be accessed or operated by:

- children
- people impaired by alcohol or drug

## 3 Lifting and Transporting

### Lifting the machine

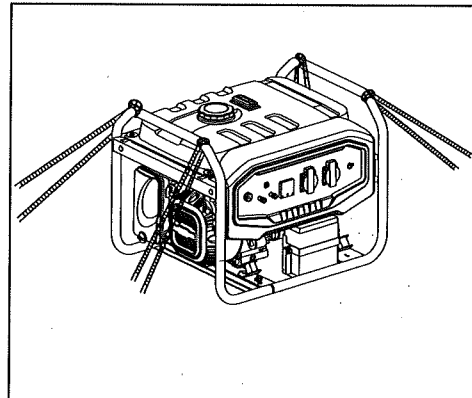
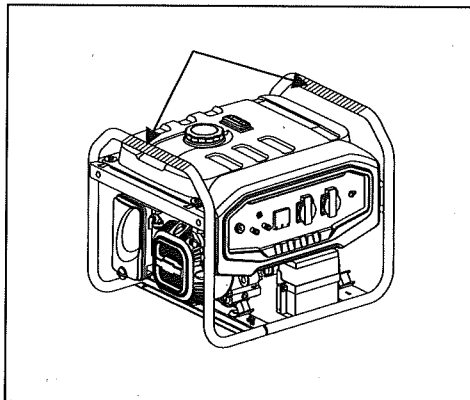
This generator, while compact, is heavy enough to cause injury if proper lifting techniques are not used. Observe the following guidelines when lifting the generator.

- Do not attempt to lift and carry the generator unassisted. Use appropriate lifting equipment such as slings, chains, hooks, ramps, or jacks.
- Make sure lifting equipment is attached securely and has enough weight-bearing capacity to lift or hold the generator safely.
- Remain aware of the location of other people nearby when lifting the generator.

### Transporting the machine

Observe the following guidelines when transporting the generator to and from the job site.

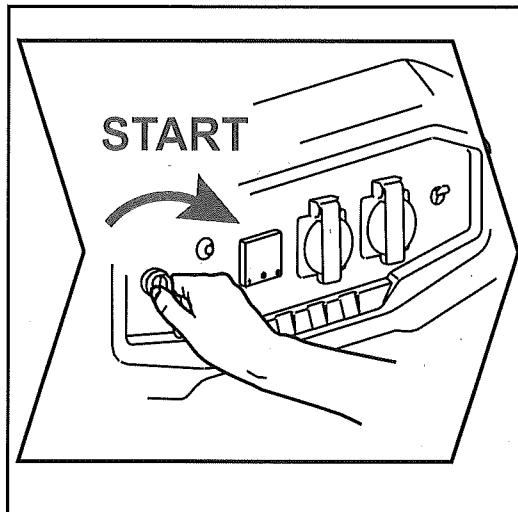
- Allow the engine to cool before transporting the generator.
- Drain the fuel tank.
- Close the fuel valve.
- Ensure that the generator is securely strapped down in the transport vehicle to prevent it from sliding or tipping.
- Do not refuel the generator in or on the transport vehicle. Move the generator to its operating location and then fill the fuel tank.



wpm\_gr014339

### 4.11 Generator Control

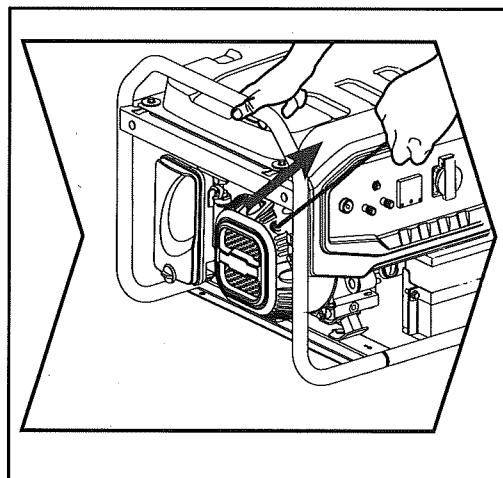
**Procedure** To start generator, turn the engine switch on the control panel to ON. Or press it to START if it's electrical start state, then generator unit can be started. In order to extend the service life of the storage battery, do not press on the switch for more than 3 seconds and the interval between two pressings should be longer than 10 seconds.



wpm\_gr014345

**Recoil Starter** To start the engine, pull the starter grip lightly until resistance is felt, then pull briskly.

**Notice:** Do not allow the starter grip (a) to snap back against the engine. Return it gently to prevent damage to the starter.



wpm\_gr014346



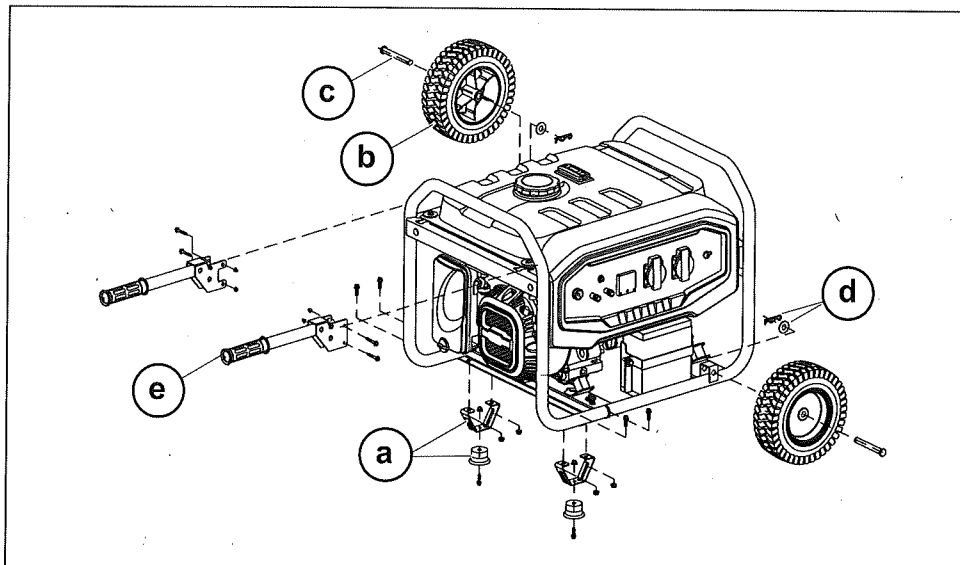
**WARNING**

It may be causing the dangers of injury by the sudden change of rotation direction of the engine during operating the recoil starter.

## 7 Accessories

## 7.1 Wheel Kit Assembly Instruction

Wheel Kit for MG3, MG5 and MG7



wpm\_gr014355

**Procedure**

Generator is supplied with a wheel kit. When you install the wheel kit on your machine, please follow the instructions step by step. If you will not be using the wheel kit, please skip this section.

1. Secure the support **(a)** to the generator cradle with bolts and nuts.
2. Attach the wheels **(b)** to the shaft **(c)**, then secure wheels with pins and washers **(d)**.
3. Then position the handle **(e)** on the other side of the cradle with bolts and nuts.

**WARNING**

- ▶ Drain the engine oil and fuel tank in a well ventilated area before the installation of wheel kit in the machine.

CLICK HERE TO **DOWNLOAD** THE COMPLETE MANUAL

- Thank you very much for reading the preview of the manual.
- You can download the complete manual from: [www.heydownloads.com](http://www.heydownloads.com) by clicking the link below



- Please note: If there is no response to CLICKING the link, please download this PDF first and then click on it.

CLICK HERE TO **DOWNLOAD** THE COMPLETE MANUAL