

CLICK HERE TO **DOWNLOAD** THE COMPLETE MANUAL

- Thank you very much for reading the preview of the manual.
- You can download the complete manual from: www.heydownloads.com by clicking the link below



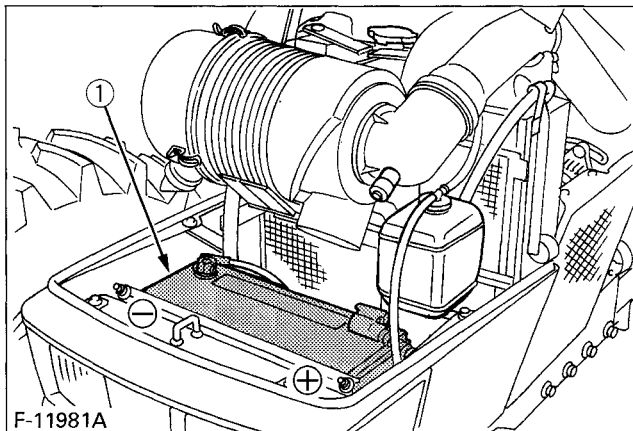
- Please note: If there is no response to CLICKING the link, please download this PDF first and then click on it.

CLICK HERE TO **DOWNLOAD** THE COMPLETE MANUAL

6. SERVICING THE TRACTOR

Before servicing the tractor, park it on a firm, flat and level surface, set the parking brake, lower all implements to the ground, place the gear shift lever in neutral, stop the engine and remove the key.

1. Allow the tractor time to cool off before working on or near the engine, muffler, radiator, etc.
2. Always stop the engine before refueling. Avoid spills and overfilling.
3. Do not smoke when working around battery or when refueling. Keep all sparks and flames away from battery and fuel tank. The battery presents an explosive hazard, because it gives off hydrogen and oxygen especially when recharging.
4. Before "jump starting" a dead battery, read and follow all of the instructions. (See "JUMP STARTING" in "OPERATING THE ENGINE" section)
5. Keep first aid kit and fire extinguisher handy at all times.
6. Do not remove radiator cap while coolant is hot. When cool, slowly rotate cap to the first stop and allow sufficient time for excess pressure to escape before removing the cap completely. If the tractor has a coolant recovery tank, add coolant or water to the tank, not the radiator. See "CHECKING COOLANT LEVEL" in "MAINTENANCE" section.
7. Disconnect the battery's ground cable before working on or near electric components.
8. To avoid the possibility of battery explosion, do not use or charge the refillable type battery if the fluid level is below the LOWER (lower limit level) mark. Check the fluid level regularly and add distilled water as required so that the fluid level is between the UPPER and LOWER levels.
9. To avoid sparks from an accidental short circuit, always disconnect the battery's ground cable (-) first and reconnect it last.

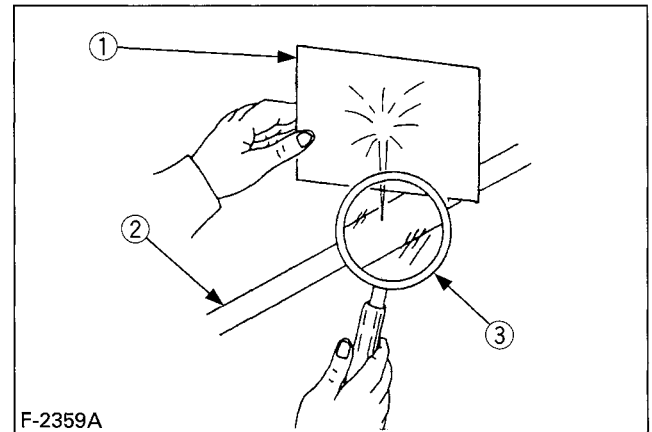


F-11981A

(1) Battery

10. Do not attempt to mount a tire on a rim. This should be done by a qualified person with the proper equipment.

11. Do not work under any hydraulically supported devices. They can settle, suddenly leak down, or be accidentally lowered. If necessary to work under tractor or any machine elements for servicing or adjustment, securely support them with stands or suitable blocking beforehand.
12. Always maintain the correct tire pressure. Do not inflate tires above the recommended pressure shown in the operator's manual.
13. Securely support the tractor when either changing wheels or adjusting the wheel tread width.
14. Make sure that wheel bolts have been tightened to the specified torque.
15. Escaping hydraulic fluid under pressure has sufficient force to penetrate skin, causing serious personal injury. Before disconnecting hydraulic lines, be sure to release all residual pressure. Before applying pressure to the hydraulic system, make sure that all connections are tight and that all lines, pipes, and hoses are free of damage.



F-2359A

(1) Cardboard (2) Hydraulic line (3) Magnifying glass

Fluid escaping from pinholes may be invisible. Do not use hands to search for suspected leaks; use a piece of cardboard or wood. Use of safety goggles or other eye protection is also highly recommended. If injured by escaping fluid, see a medical doctor at once. This fluid will produce gangrene or severe allergic reaction.

No.	Implement		Remarks		M5700	M6800	M8200	M9000	
					4WD	4WD	4WD	4WD	
1	Slurry Tank		Max. Tank Capacity	L (gals.)	3000 (790)	3000 (790)	4000 (1060)	4000 (1060)	
			Max. Load Capacity	kg (lbs.)	4000 (8800)	4000 (8800)	5000 (11000)	5000 (11000)	
2	Trailer		Max. Load Capacity	kg (lbs.)	4500 (9900)	5000 (11000)	6000 (13200)	6000 (13200)	
			Max. Drawbar Load	kg (lbs.)	1000 (2200)	1000 (2200)	1500 (3300)	1500 (3300)	
3	Mower	Rotary – Cutter	Max. Cutting Width	mm (in.)	2130 (84)	2130 (84)	2300 (90)	2300 (90)	
			Max. Weight	kg (lbs.)	540 (1200)	540 (1200)	600 (1320)	600 (1320)	
		Flail Mower (Heavy)	Max. Cutting Width	mm (in.)	3050 (120)	3050 (120)	3660 (144)	3660 (144)	
			Max. Weight	kg (lbs.)	800 (1760)	800 (1760)	1000 (2200)	1000 (2200)	
Sickle Bar	Max. Cutting Width	mm (in.)	2130 (84)	2130 (84)	2743 (108)	2743 (108)			
4	Sprayer		Max. Tank-Capacity	Mid	L (gals.)	680 (180)	680 (180)	800 (200)	1000 (260)
				Rear 3P	L (gals.)	680 (180)	680 (180)	800 (200)	1000 (260)
				Drawbar	L (gals.)	3500 (920)	4000 (1030)	4500 (1200)	5000 (1320)
5	Rotary Tiller		Max. Tilling Width	mm (in.)	2130 (84)	2330 (91)	2400 (96)	2400 (96)	
			Max. Weight	kg (lbs.)	800 (1760)	800 (1760)	1000 (2200)	1000 (2200)	
6	Bottom Plow		Max. Size		14 in. X 3 16 in. X 2 18 in. X 1	16 in. X 3 18 in. X 2	16 in. X 4 18 in. X 3 24 in. X 1	14 in. X 5 16 in. X 4 20 in. X 3 24 in. X 1	
			Max. Weight	kg (lbs.) 3P Type	450 (1000)	550 (1200)	750 (1650)	900 (2000)	
7	Disc-harrow	3P Type	Max. Size		18 in. X 24	20 in. X 24	24 in. X 24	24 in. X 28	
			Max. Harrowing Width	mm (in.)	2130 (84)	2450 (96)	2850 (112)	3300 (130)	
			Max. Weight	kg (lbs.)	450 (1000)	550 (1200)	750 (1650)	900 (2000)	
		Drawbar Type	Max. Harrowing Width	mm (in.)	2750 (108)	3050 (120)	3660 (144)	4300 (168)	
8	Disc Plow		Max. Size		24 in. X 3 26 in. X 2	26 in. X 3	26 in. X 4 28 in. X 4	26 in. X 4 28 in. X 4	
			Max. Weight	kg (lbs.)	450 (1000)	550 (1200)	750 (1650)	900 (2000)	
9	Sub Soiler		Numbers of Cultivating Tines		2	2	2	2	
			Cultivating Depth	mm (in.)	400 (16)	450 (18)	500 (20)	550 (22)	
10	Cultivator		Max. Width	mm (in.)	3660 (144)	4270 (168)	4880 (192)	5490 (216)	
			Number of Rows		4	4	6	6	
			Max. Weight	kg (lbs.)	450 (1000)	550 (1200)	750 (1650)	900 (2000)	
11	Front Blade*1,*2		Max. Cutting Width	mm (in.)	1820 (72)	2130 (84)	2430 (96)	2600 (102)	
			Max. Oil Pressure	MPa (kgf/cm ²)	19.1 (195)	19.1 (195)	19.6 (200)	19.6 (200)	
12	Rear Blade		Max. Cutting Width	mm (in.)	1820 (72)	2130 (84)	2430 (96)	2600 (102)	
			Max. Oil Pressure	MPa (kgf/cm ²)	19.1 (195)	19.1 (195)	19.6 (200)	19.6 (200)	
13	Front Loader*1,*2		Max. Lifting Capacity	kgf (lbs.)	1000 (2200)	1160 (2552)	1250 (2750)	1250 (2750)	
			Max. Oil Pressure (Extra Hydro Kit)	MPa (kgf/cm ²)	18.6 (190)	18.6 (190)	20.5 (210)	20.5 (210)	
14	Box Blade		Max. Cutting Width	mm (in.)	1820 (72)	2130 (84)	2430 (96)	2430 (96)	
			Max. Weight	kg (lbs.)	450 (1000)	550 (1200)	750 (1650)	800 (1760)	
15	Back Hoe*2		Max. Digging Depth	mm (in.)	2530 (100)	2530 (100)	3050 (120)	3050 (120)	
			Max. Weight	kg (lbs.)	900 (2000)	900 (2000)	1200 (2650)	1200 (2650)	
16	Snow Blade		Max. Width	mm (in.)	1820 (72)	2130 (84)	2430 (96)	2600 (102)	
			Max. Weight	kg (lbs.)	450 (1000)	550 (1200)	750 (1650)	800 (1760)	

NOTE:

- Implement size may vary depending on soil operating conditions.
- *1 Must remove front weight with this implement.
- *2 Need subframe

STARTING

1. Adjusting the Operator's Position.

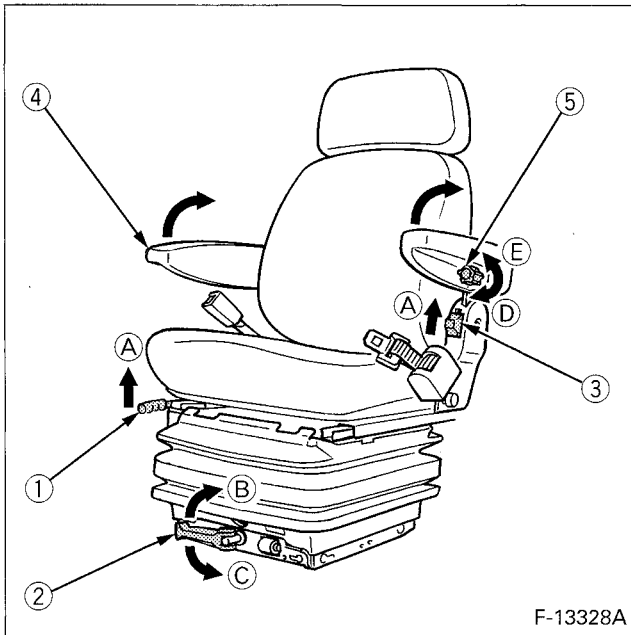
■ Operator's Seat



CAUTION

To avoid personal injury:

- Make sure that the seat is completely secured after each adjustment.
- Do not allow any person other than the driver to ride on the tractor.



F-13328A

- | | |
|--------------------------------|---------------------------|
| (1) Travel adjust lever | (A) "UNLOCK" |
| (2) Weight adjust lever | (B) "TO INCREASE TENSION" |
| (3) Backrest tilt adjust lever | (C) "TO DECREASE TENSION" |
| (4) Arm rest | (D) "TO INCREASE ANGLE" |
| (5) Arm rest angle adjust knob | (E) "TO DECREASE ANGLE" |

◆ Travel adjustment

Pull the travel adjust lever and slide the seat backward or forward, as required. The seat will lock in position when the lever is released.

◆ Weight adjustment

Turn the weight adjust lever to achieve the optimum suspension setting.

◆ Tilt adjustment

Pull the backrest tilt adjust lever and move the backrest to the desired angle.

◆ Height adjustment

Pull up with your hands the seat pan in front of seat belt to the desired height of the three available positions.

Once it has reached the highest level, it will return to the lowest level.

◆ Arm rest

Arm rest may be set at upright position if desired.

◆ Arm rest angle adjustment

Turn the arm rest angle adjust knob to the desired angle.

■ Operating the Tractor on a Road



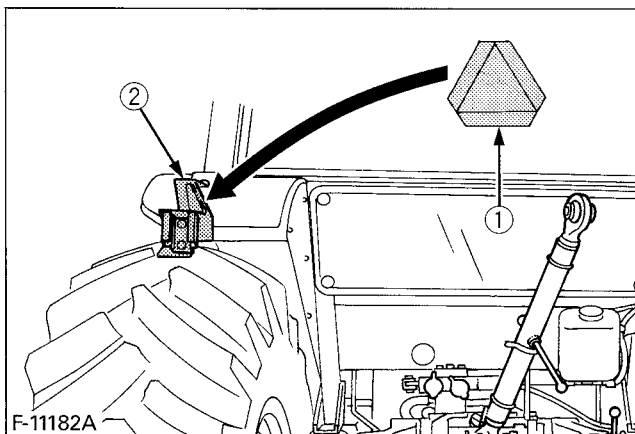
CAUTION

To avoid personal injury:

- To help assure straight line stops when driving at transport speeds, lock the brake pedals together. Uneven braking at road speeds could cause the tractor to roll-over.
- When traveling on road with 3-point hitch mounted implement attached, be sure to have sufficient front weight on the tractor to maintain steering ability.

Be sure SMV emblem and warning lamps are clean and visible. If towed or rear-mounted equipment obstructs these safety devices, install SMV emblem and warning lamps on equipment.

Consult your local KUBOTA Dealer for further details.



(1) SMV emblem

(2) Bracket

■ Operating on Slopes and Rough Terrain



CAUTION

To avoid personal injury:

- Always back up when going up a steep slope. Driving forward could cause the tractor to tip over backward. Stay off hills and slopes too steep for safe operation.
- Avoid changing gears when climbing or descending a slope.
- If operating on a slope, never disengage the clutch or shift levers to neutral. Doing so could cause loss of control.
- Do not drive the tractor close to the edges of ditches or banks which may collapse under the weight of the tractor. Especially when the ground is loose or wet.

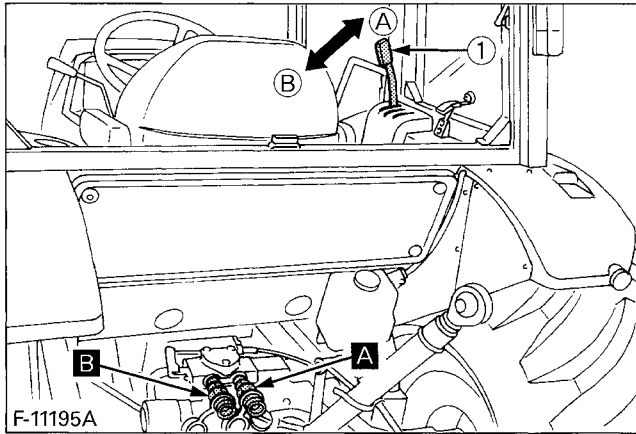
1. Be sure wheel tread is adjusted to provide maximum stability.
(See "Wheel Adjustment" in Tires, Wheels and Ballast section.)
2. Slow down for slopes, rough ground, and sharp turns, especially when transporting heavy, rear mounted equipment.
3. Before descending a slope, shift to a gear low enough to control speed without using brakes.

■ Directions for Use of Power Steering

1. Power steering is activated only while the engine is running. Slow engine speeds make the steering a little heavier. While the engine is stopped, the tractor functions in the same manner as tractors without power steering.
2. When the steering wheel is turned all the way to the stop, the relief valve is activated. Do not hold the steering wheel in this position for a long period of time.
3. Avoid turning the steering wheel while the tractor is stopped, or tires may wear out sooner.
4. The power steering mechanism makes the steering easier. Be careful when driving on a road at high speeds.

Remote Control Valve Lever

The remote control valve lever directs pressurized oil flow to the implement hydraulic system.



(1) Remote control valve lever (1) (A) "PUSH"
(B) "PULL"

		Pressure →	
		Returning ←	
Lever (1)		Push	Pull
Port	A	Out →	In ←
	B	In ←	Out →

IMPORTANT:

- Do not hold the lever in the "pull" or "push" position once the remote cylinder has reached the end of the stroke, as this will cause oil to flow through the relief valve. Forcing oil through the relief valve for extended periods will overheat the oil.
- When using the tractor hydraulic system to power front loader, do not operate boom and bucket cylinders simultaneously.

NOTE:

- Connect the pressure of load side of implement cylinders to port **B** which has built in load check valve to prevent leak down.
- To use the single-acting cylinder with the float valve, connect this cylinder to the **B** port. To extend a single-acting cylinder, pull the remote control valve lever rearward. To retract a cylinder, push it fully forward to the "FLOAT" position. Do not hold it in the down position, the transmission fluid may be overheat.

Remote Control Valve Coupler Connecting and Disconnecting



CAUTION

To avoid personal injury:

- Stop the engine and relieve pressure before connecting or disconnecting lines.
- Do not use your hand to check for leaks.

◆ Connecting

1. Clean both couplers.
2. Remove dust plugs.
3. Insert the implement coupler to the tractor hydraulic coupler.
4. Pull the implement coupler slightly to make sure couplers are firmly connected.

◆ Disconnecting

1. Lower the implement first to the ground to release hydraulic pressure in the hoses.
2. Clean the couplers.
3. Relieve pressure by moving hydraulic control levers with engine shut off. Pull the hose straight from the hydraulic coupler to release it.
4. Clean oil and dust from the coupler, then replace the dust plugs.

NOTE:

- Your local KUBOTA Dealer can supply parts to adapt couplers to hydraulic hoses.

WIPER

■ Front Wiper/Washer Switch

1. Turn on the key switch and press the right half of the wiper switch to the first step, the wiper only is activated.

When the switch is pressed further to the second step, washer liquid jets out.

The jetting continues while the switch is pressed and the wiper is activated continuously.

2. Press the left half to the first step, the wiper is activated at regular intervals.

When the switch is pressed further to the second step, washer liquid jets out and the wiper is activated at regular intervals.

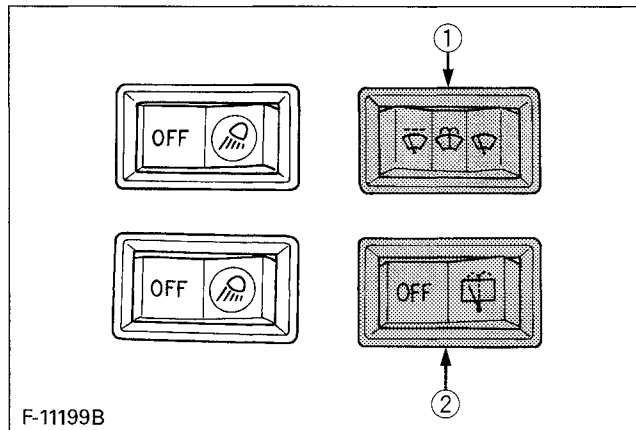
■ Rear Wiper/Washer Switch (if equipped)

1. Turn on the key switch and press the right half of the wiper switch to the first step, the wiper only is activated.

When the switch is pressed further to the second step, washer liquid jets out.

The jetting continues while the switch is pressed and the wiper is activated continuously.

2. Press the left half of the wiper / washer switch, washer liquid only jets out.



(1) Front wiper / Washer switch

(2) Rear wiper / Washer switch (if equipped)

IMPORTANT:

- Do not activate the wipers when the windows are dry, they may be scratched.
Be sure to jet washer liquid first and then activate the wipers.

■ Using the Wipers in Cold Season

1. While not used in cold season, keep the wiper blades off the windshield to prevent them from being stuck with ice.
2. If the windshield is covered with snow, scrape it off the windshield before using the wipers.
3. If the wiper blades are stuck on the windshield with ice and fail to move, be sure to turn the main key switch to "OFF" and remove the ice off the blades. Then place the main key switch back to "ON".
4. When commercially available cold-season wiper blades are used, make sure their size is the same as or smaller than that of the standard ones.

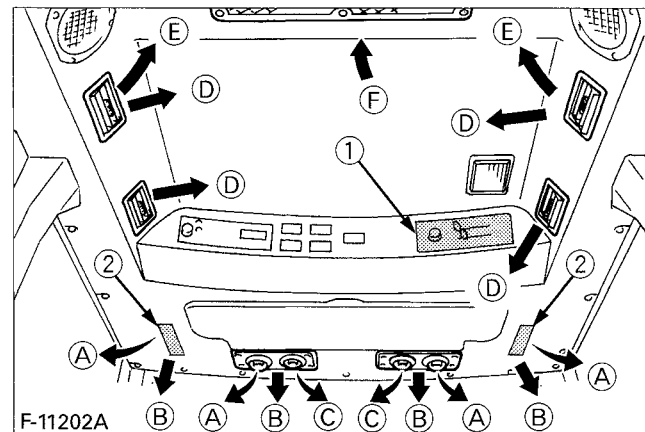
IMPORTANT:

- In cold season, the wiper blades and the wiper motor might get overloaded and in trouble. To avoid this, be sure to take the above precautions.

AIR CONDITIONER

■ Air Flow

Air in the CAB and fresh air introduced into the CAB flow as shown below. Adjust the 8 or 10 air ports to obtain the desired condition.



(1) Control panel
(2) Door air outlet
(if equipped)

(A) "DOOR WINDOW"
(B) "FOOT AREA"
(C) "WIND SHIELD"
(D) "FACE AREA"
(E) "BACK AREA"
(F) "INNER AIR RECIRCULATION"

PERIODIC SERVICE



CAUTION

To avoid personal injury:

- Do not work under any hydraulically supported devices. They can settle, suddenly leak down, or be accidentally lowered. If necessary to work under tractor or any machine elements for servicing or adjustment, securely support them with stands or suitable blocking beforehand.

HOW TO OPEN THE HOOD



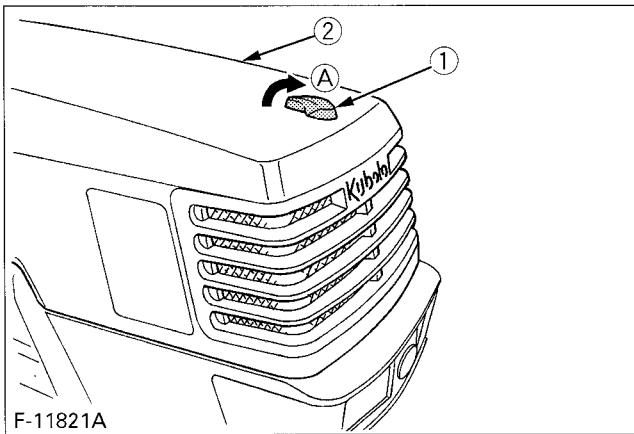
CAUTION

To avoid personal injury from contact with moving parts;

- Never open the hood while the engine is running.
- Do not touch muffler or exhaust pipes while they are hot; Severe burns could result.
- Support hood with other hand while unlocking support link.

Hood

To open the hood, twist the mascot to release the latch and open the hood.



F-11821A

(1) Mascot

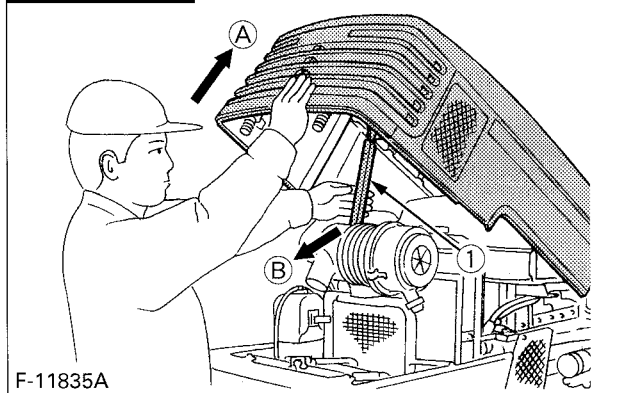
(A) "OPEN"

(2) Hood

NOTE:

- To close the hood, hold the hood and release the support link.

M5700-M6800



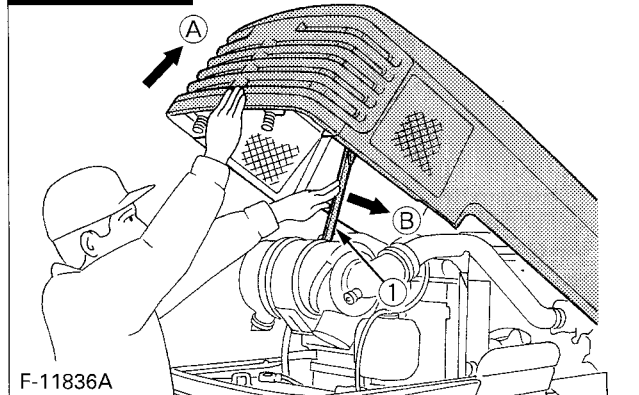
F-11835A

(1) Support link

(A) "HOLD"

(B) "PULL"

M8200-M9000



F-11836A

(1) Support link

(A) "HOLD"

(B) "PUSH"

IMPORTANT:

- The air cleaner uses a dry element, never apply oil.
- Do not run the engine with filter element removed.
- Be sure to refit the cover with the arrow ↑ (on the rear of cover) upright. If the cover is improperly fitted, evacuator valve will not function and dust will adhere to the element.
- Do not touch the secondary element except in cases where replacing is required. (See "Replacing Air Cleaner Secondary Element" in Every 1 Year maintenance.)

◆ **Evacuator Valve**

Open the evacuator valve once a week under ordinary conditions - or daily when used in a dusty place - to get rid of large particles of dust and dirt.

Adjusting Fan Belt Tension



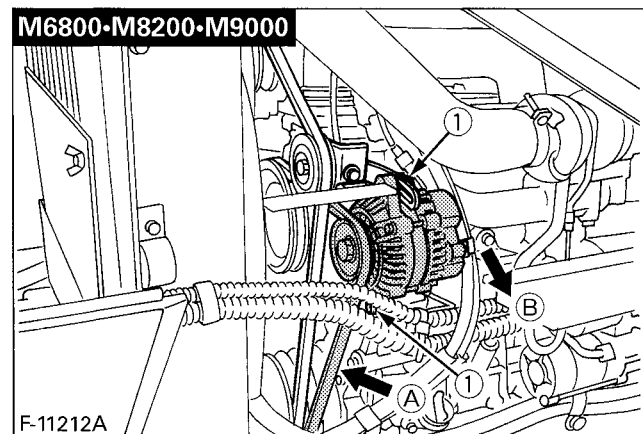
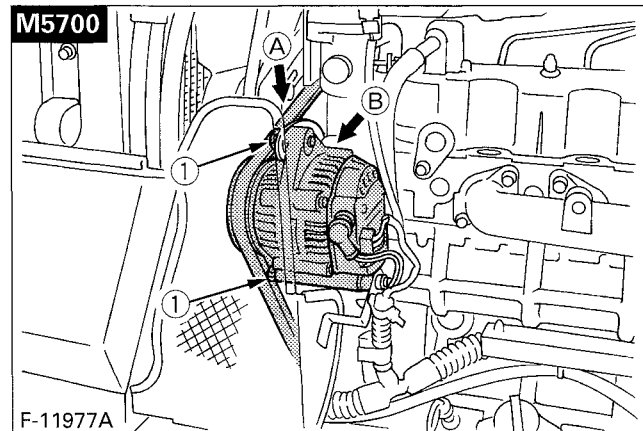
CAUTION

To avoid personal injury:

- Be sure to stop the engine before checking belt tension.

Tractor model	Proper fan belt tension (when the belt is pressed in the middle of the span.)
M5700	A deflection of between 7 to 9 mm (0.28 to 0.34 in.)
M6800 M8200 M9000	A deflection of between 10 to 12 mm (0.39 to 0.47 in.)

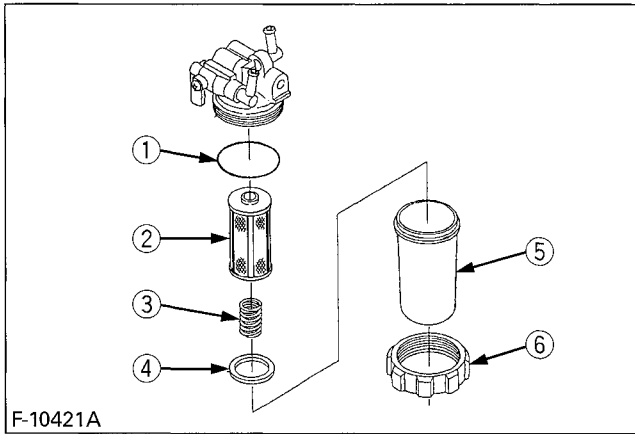
1. Stop the engine and remove the key.
2. Apply moderate thumb pressure to belt between pulleys.
3. If tension is incorrect, loosen the alternator mounting bolts and, using a lever placed between the alternator and the engine block, pull the alternator out until the deflection of the belt falls within acceptable limits.
4. Replace fan belt if it is damaged.



(1) Bolt

(A) Check the belt tension

(B) To tighten



F-10421A

- (1) O ring
- (2) Element
- (3) Spring
- (4) Red float
- (5) Cup
- (6) Retainer ring

EVERY 600 HOURS

Changing Transmission Fluid



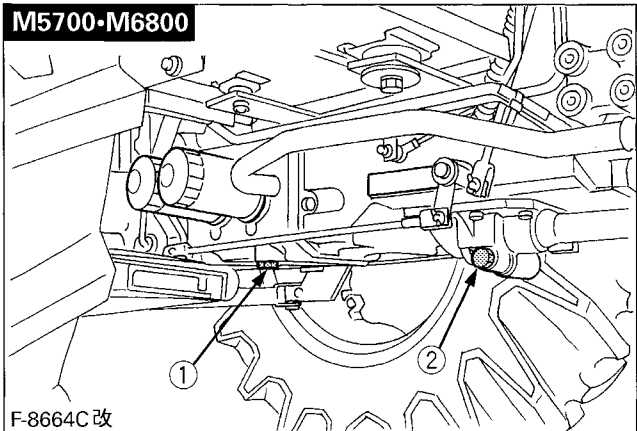
CAUTION

To avoid personal injury:

- Allow engine to cool down sufficiently, oil can be hot and can burn.

1. To drain the used oil, remove the drain plugs at the bottom of the transmission case and drain the oil completely into the oil pan.
2. After draining reinstall the drain plugs.

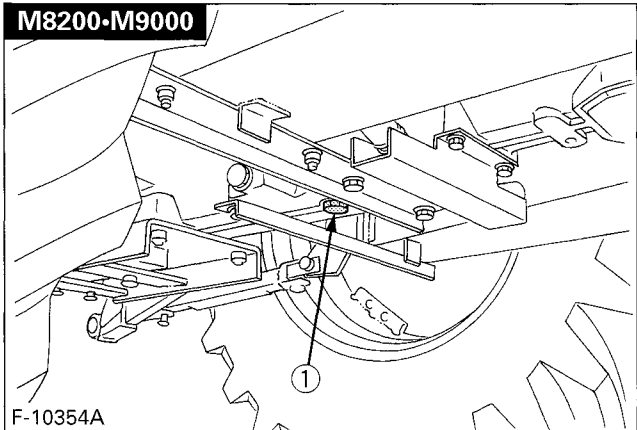
M5700-M6800



F-8664C改

- (1) Drain plug
- (2) Drain plug (4WD only)

M8200-M9000



F-10354A

- (1) Drain plug

CLICK HERE TO **DOWNLOAD** THE COMPLETE MANUAL

- Thank you very much for reading the preview of the manual.
- You can download the complete manual from: www.heydownloads.com by clicking the link below



- Please note: If there is no response to CLICKING the link, please download this PDF first and then click on it.

CLICK HERE TO **DOWNLOAD** THE COMPLETE MANUAL