



A TEREX BRAND

Operator's Manual

Serial number range

GTH-3007 AU.3 From serial n.: GTH300716M-101

Original Instructions
First Edition
First Printing
Part No. 57.0009.0739

CLICK HERE TO **DOWNLOAD** THE COMPLETE MANUAL

- Thank you very much for reading the preview of the manual.
- You can download the complete manual from: www.heydownloads.com by clicking the link below

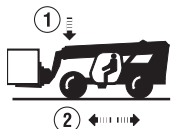


- Please note: If there is no response to CLICKING the link, please download this PDF first and then click on it.

CLICK HERE TO **DOWNLOAD** THE COMPLETE MANUAL

Work Area Safety

⚠ Traveling on Slopes Hazards



When driving, keep the boom at or below horizontal and keep the load close to the ground.

When the machine is unloaded, travel with the forks or attachment downhill.

On steep terrain, drive only up and down a hill, and always keep the machine in gear. Do not turn across the slope when the machine is traveling up or down a slope.

Limit travel path and speed according to the condition of the ground surface, traction, slope, location of personnel and any other factors which may create a hazard. Never drive the machine unless the mast and equipment are in their proper travel position. Whether a machine will tip over during dynamic machine operation involves many factors that need to be considered. Among these are pavement/ground conditions, stability and slope, as well as machine equipment, operator skill, load position, tire inflation, machine speed, etc.

Additionally, tip-over of a machine is dependent in large part upon operator inputs such as the speed and smoothness of the operation, as well as the position of the attachment and its load.

Construction sites and roads will frequently change slope from place to place, can be hard and soft, and change due to construction activities and weather.

Operators should be properly trained and use their best judgment and experience to take the necessary precautions to prevent a tip-over.

Operators must assess the job site variables and avoid exceeding the machine's (or operator's) capabilities for terrain and conditions.

⚠ Fall Hazards



Always wear a seat belt when operating the machine.

Always remain completely inside the cab when operating the machine.

When getting in and out of the cab, face the machine, use the steps and handrails provided and always maintain three-point contact.

Do not use the steering wheel or any other controls as handrails.

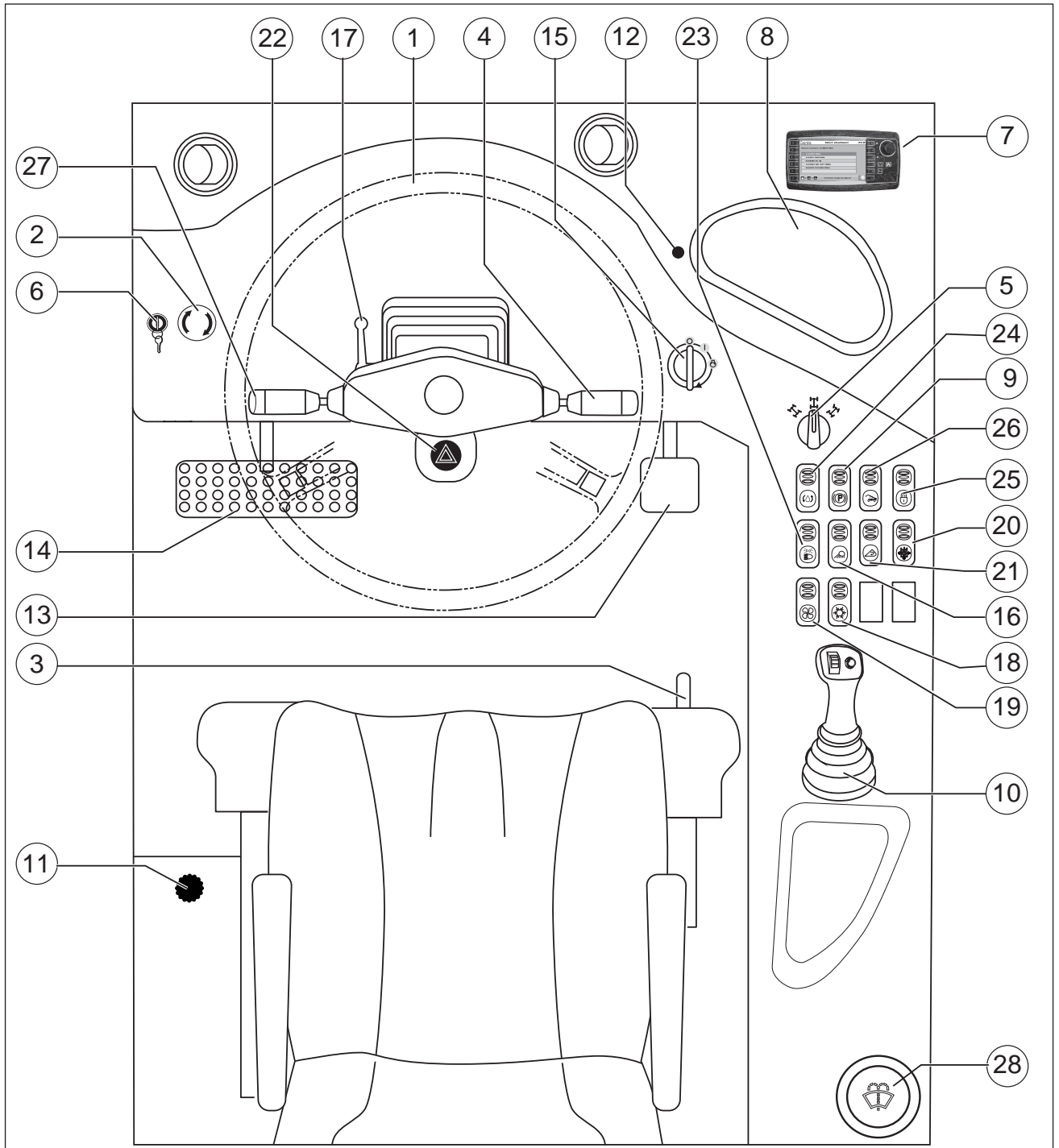


Do not allow riders on the machine or forks.



Do not transport or lift personnel with this machine.

Controls



Inspections

- 13 Straighten the wheels.
- 14 Rotate the steer selector to the middle position to select two-wheel steer.
- 15 Check the steering operation by turning the steering wheel approximately $\frac{1}{4}$ turn in each direction.
 - ⊙ Result: The front wheels should turn in the same direction as the steering wheel. The rear wheels should not turn.
- 16 Straighten the wheels.
- 17 Rotate the steer selector to the left to select crab steer.
- 18 Check the steering operation by turning the steering wheel approximately $\frac{1}{4}$ turn in each direction.
 - ⊙ Result: The front wheels and the rear wheels should turn in the same direction as the steering wheel.
- 22 Move the transmission control lever to the reverse direction. Push down lightly on the accelerator pedal to increase the RPM's and slowly let up on the brake pedal. As soon as the machine starts to move, push the brake pedal.
 - ⊙ Result: The machine should move in reverse, and then come to an abrupt stop. The reversing alarm should sound when the transmission control lever is in reverse.
- 23 Move the transmission control lever to neutral.
- 24 Push the parking brake switch.
 - ⊙ Result: The red parking brake indicator light should come on, indicating the parking brake is on.
- 25 Move the transmission control lever forward, and then in reverse while increasing the RPM's with the accelerator pedal.
 - ⊙ Result: The machine should not move.

Test the Transmission and Brakes

- 19 Be sure the boom is fully lowered and retracted.
- 20 Step on the brake pedal. Push the top of the parking brake switch to turn it off.
- 21 Move the transmission control lever to the forward direction. Push down lightly on the accelerator pedal to increase the RPM's and slowly let up on the brake pedal. As soon as the machine starts to move, push the brake pedal.
 - ⊙ Result: The machine should move forward, and then come to an abrupt stop.

Test the Parking Brake

- 26 Push the bottom of the rocker switch to turn the parking brake on: the parking brake warning light should come on.
- 27 Push down lightly on the accelerator pedal.
 - ⊙ Result: The machine should not move .

Operating Instructions

Transporting a Load

Center the load on the forks. Position the load so that it is completely against the back of the fork frame.

The load should be kept as low to the ground as possible while traveling. Always move a loaded machine with the boom angle indicator at 0 degrees or less.

Tilt the forks back slightly to help keep the load secure.

Always bring the machine to a complete stop before applying the parking brake.

Raising and Placing a Load

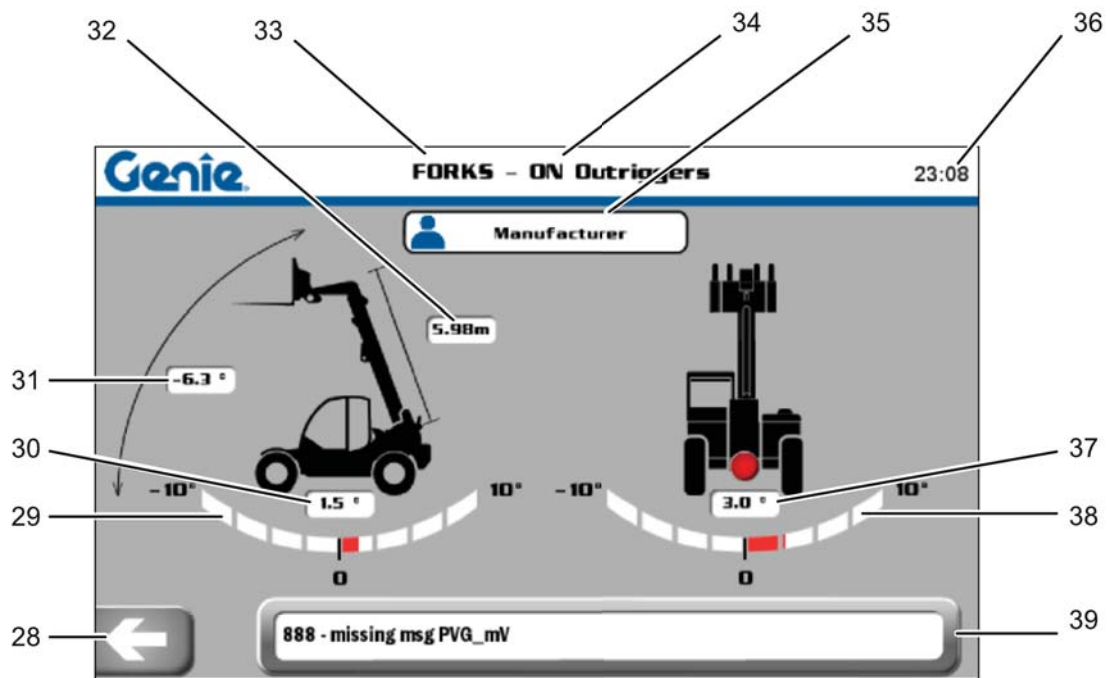
The load chart in the cab shows the operating limits of a properly maintained and operated machine. To use the load chart, the operator must know the weight of the load, its load center and how far out and up it is to be placed.

This machine has more than one load chart. Be sure you are using the load chart that corresponds to the attachment on the machine.

If you determine that the weight of the load cannot be placed at the height and angle you want, these options can be used:

1. Move the machine closer to the loading or pick point so that the weight of the load will meet the load chart specifications.
2. Divide the load into smaller pieces so that each piece meets the load chart specifications.
3. Obtain a larger machine capable of handling the load within specifications.

Operating Instructions



Transport and Lifting Instructions



Observe and Obey:

- ☑ Only qualified riggers should rig the machine.
- ☑ Only certified crane operators should lift the machine and only in accordance with the applicable crane regulations.
- ☑ Be sure the crane capacity, loading surfaces and straps or lines are sufficient to withstand the machine weight. See the serial label for the machine weight.

Lifting Instructions

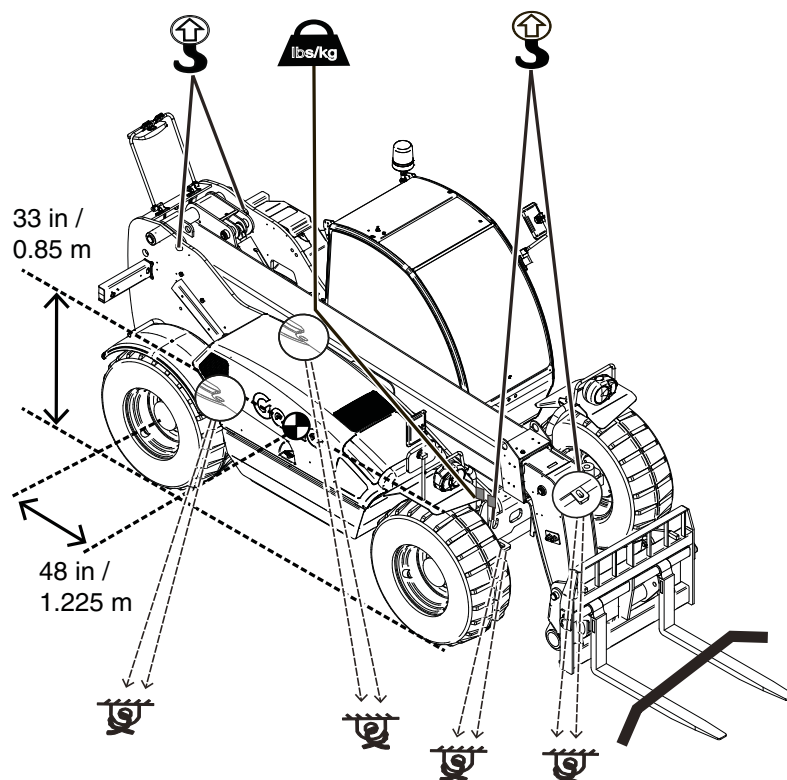
Fully lower and retract the boom.

Determine the center of gravity of your machine using the picture on this page.

Remove all loose items on the machine.

Attach the rigging only to the designated lifting points on the machine.

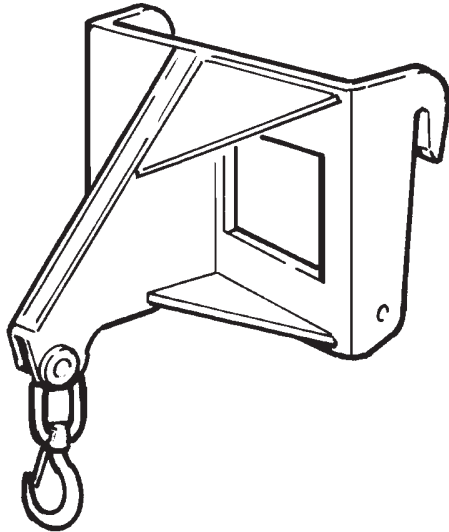
Adjust the rigging to prevent damage to the machine and to keep the machine level.



Attachments

Fixed Hook

(part number AUS10011)



TECHNICAL DATA	
Payload	4000 kg
Width	990 mm
Length	615 mm
Height	510 mm
Weight	150 kg

⚠ The fixed hook has been designed to support a load of 4000 kg. The max payload corresponds to the nominal capacity rating of the telehandler on which it is installed and may be reduced as indicated on the load charts supplied with the equipment.

Application

Quick-coupling fitted attachment for lifting loads by means of special slings.

Safety

Strictly obey the general safety precautions given in section "Safety".

Do not oscillate the load.

Do not drag hooked loads.

Lift the load before extending the boom.

Operation

Fork the hook and hold it in position by means of the locking cylinder.

All loads must be bridled with special textile slings or chains in compliance with all pertinent regulations.

To handle the load, raise and rotate the telescopic boom of the handler.


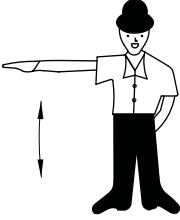
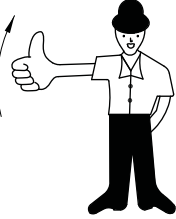
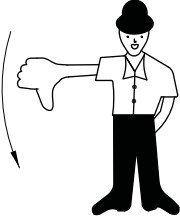
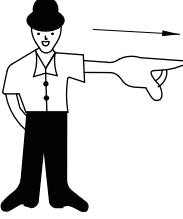
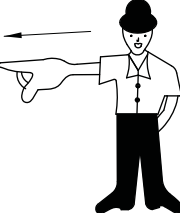
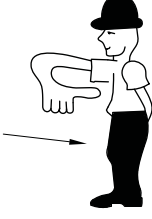
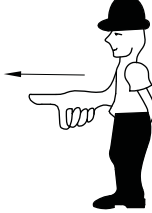
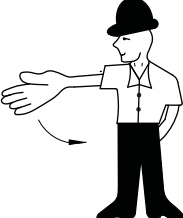
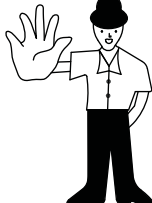
Maintenance

Visually check the hook for damage before using it. Check the safety catch is in good working order.

- Capacity is in accordance with the load chart supplied for this attachment
- Load must be kept low while travelling - use short slings
- Pick and carry position
 - max boom angle 35°
 - boom fully retracted
 - maximum drive speed 0.4 m/s (walking speed)
 - maximum downhill slope 5°
 - maximum sideways slope 5°

For use of this attachment, refer to "suspended load Hazard" section

Attachments

MOTION	HAND SIGNAL	WHISTLE, BELL OR BUZZER SIGNAL	MOTION	HAND SIGNAL	WHISTLE, BELL OR BUZZER SIGNAL
Hoisting raise		2 short ••	Hoisting lower		1 long —
Luffing boom up		3 short •••	Luffing boom down		4 short ••••
Slewing right		1 long, 2 short —••	Slewing left		1 long, 1 short —•
Jib-trolley out: telescoping boom extend		1 long, 3 short —•••	Jib-trolley in: telescoping boom retract		1 long, 4 short —••••
Travel and traverse		Not applicable	STOP		1 short •
CREEP SPEED: APPROPRIATE HAND SIGNAL FOR MOTION WITH HAND OPENING AND CLOSING					

CLICK HERE TO **DOWNLOAD** THE COMPLETE MANUAL

- Thank you very much for reading the preview of the manual.
- You can download the complete manual from: www.heydownloads.com by clicking the link below



- Please note: If there is no response to CLICKING the link, please download this PDF first and then click on it.

CLICK HERE TO **DOWNLOAD** THE COMPLETE MANUAL