



Operator's Manual

Serial Number Range

GSTM-2669RT
GSTM-3369RT
GSTM-4069RT

from GS69F-18000
from GS69M-101

AUS
Australia

with
Maintenance
Information

Original Instructions
Second Edition
Fourth Printing
Part No. 1305661GT

CLICK HERE TO **DOWNLOAD** THE COMPLETE MANUAL

- Thank you very much for reading the preview of the manual.
- You can download the complete manual from: www.heydownloads.com by clicking the link below



- Please note: If there is no response to CLICKING the link, please download this PDF first and then click on it.

CLICK HERE TO **DOWNLOAD** THE COMPLETE MANUAL

General Safety

44736

⚠ DANGER

Tip-over Hazard
If lift alarm sounds, unit is on a severe slope. Death or serious injury could occur.

1 Lower the platform.

2 Move the machine to level surface.

52494

⚠ WARNING

Crowding Hazard
Fully extend rails and fully extend mast.

Mobility Hazard
Do not allow platform to roll or tip.

1301840

⚠ DANGER

Indicator Light Flashing Red
When indicator light is flashing red, the scissor lift is in a severe slope. Death or serious injury could occur.

Tip-over Hazard
On a severe slope, platform could roll or tip.

28236

⚠ WARNING

Read and understand Operator's Manual, Response Manual and Safety Manual and all safety signs before using or maintaining machine.
If you do not understand the information in the manuals, consult your supervisor, the owner or the manufacturer.

229915

⚠ DANGER

INSTRUCTIONS

Failure to read, understand and obey the safety rules and operating instructions in the operator's manual will result in death or serious injury.

Before you operate:
- Read and understand the operator's manual and all safety signs.
- Read and understand the response manual and all safety signs.
- Read and understand the safety manual and all safety signs.
- Read and understand the maintenance manual and all safety signs.
- Read and understand the electrical manual and all safety signs.
- Read and understand the hydraulic manual and all safety signs.
- Read and understand the pneumatic manual and all safety signs.
- Read and understand the fuel manual and all safety signs.
- Read and understand the oil manual and all safety signs.
- Read and understand the water manual and all safety signs.
- Read and understand the air manual and all safety signs.
- Read and understand the gas manual and all safety signs.
- Read and understand the dust manual and all safety signs.
- Read and understand the noise manual and all safety signs.
- Read and understand the vibration manual and all safety signs.
- Read and understand the temperature manual and all safety signs.
- Read and understand the humidity manual and all safety signs.
- Read and understand the pressure manual and all safety signs.
- Read and understand the force manual and all safety signs.
- Read and understand the torque manual and all safety signs.
- Read and understand the speed manual and all safety signs.
- Read and understand the acceleration manual and all safety signs.
- Read and understand the deceleration manual and all safety signs.
- Read and understand the rotation manual and all safety signs.
- Read and understand the translation manual and all safety signs.
- Read and understand the rotation and translation manual and all safety signs.

1293165

⚠ DANGER

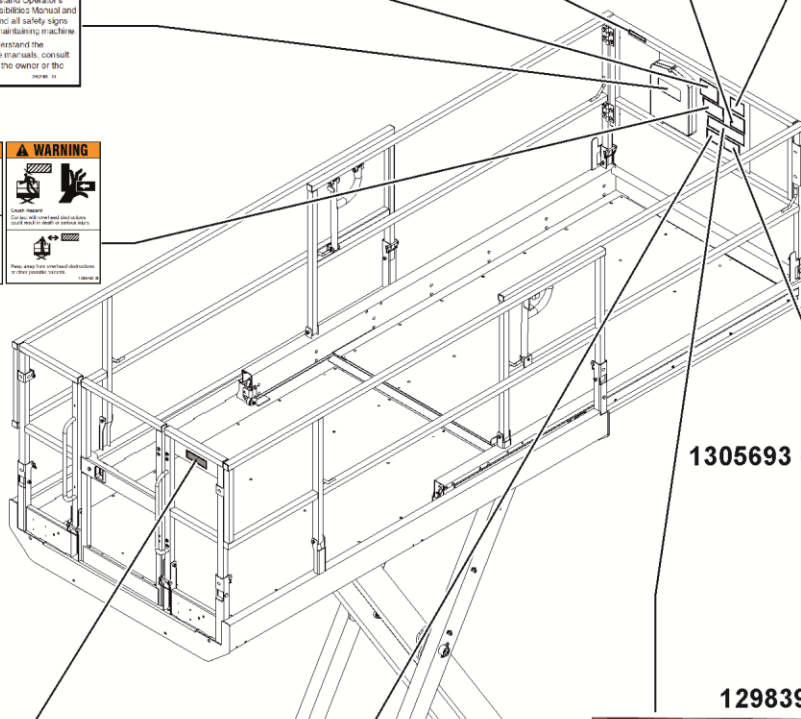
Tip-over Hazard
Lifting over the machine will result in death or serious injury.

⚠ WARNING

Fall Hazard
Falling over the machine will result in death or serious injury.

⚠ WARNING

Read and understand Operator's Manual, Response Manual and Safety Manual and all safety signs before using or maintaining machine.
If you do not understand the information in the manuals, consult your supervisor, the owner or the manufacturer.



1305691 (GS-2669)

⚠ WARNING

Tip-over Hazard
Lifting over the machine will result in death or serious injury.

⚠ WARNING

Fall Hazard
Falling over the machine will result in death or serious injury.

1305693 (GS-3369, GS-4069)

⚠ WARNING

Tip-over Hazard
Lifting over the machine will result in death or serious injury.

⚠ WARNING

Fall Hazard
Falling over the machine will result in death or serious injury.

1298396 (GS-2669)

⚠ DANGER

Tip-over Hazard
Lifting over the machine will result in death or serious injury.

Maximum allowable wind speed: 28 mph / 12.5 m/s	Maximum allowable lift force: 90 lb / 40 N	Maximum capacity: 1500 lb / 680 kg	Platform extended: 1500 lb / 680 kg
		Occupants and equipment must not exceed 1500 lbs / 680 kg	Platform retracted: 1500 lb / 680 kg
		Maximum capacity: 1500 lb / 680 kg	Platform extended: 1500 lb / 680 kg
		Occupants and equipment must not exceed 1500 lbs / 680 kg	Platform retracted: 1500 lb / 680 kg

1298397 (GS-3369)

⚠ DANGER

Tip-over Hazard
Lifting over the machine will result in death or serious injury.

Maximum allowable wind speed: 28 mph / 12.5 m/s	Maximum allowable lift force: 90 lb / 40 N	Maximum capacity: 1000 lb / 454 kg	Platform extended: 1000 lb / 454 kg
		Occupants and equipment must not exceed 1000 lbs / 454 kg	Platform retracted: 1000 lb / 454 kg
		Maximum capacity: 1000 lb / 454 kg	Platform extended: 1000 lb / 454 kg
		Occupants and equipment must not exceed 1000 lbs / 454 kg	Platform retracted: 1000 lb / 454 kg

1298398 (GS-4069)

⚠ DANGER

Tip-over Hazard
Lifting over the machine will result in death or serious injury.

Maximum allowable wind speed: 28 mph / 12.5 m/s	Maximum allowable lift force: 90 lb / 40 N	Maximum capacity: 800 lb / 363 kg	Platform extended: 800 lb / 363 kg
		Occupants and equipment must not exceed 800 lbs / 363 kg	Platform retracted: 800 lb / 363 kg
		Maximum capacity: 800 lb / 363 kg	Platform extended: 800 lb / 363 kg
		Occupants and equipment must not exceed 800 lbs / 363 kg	Platform retracted: 800 lb / 363 kg

214725

⚠ WARNING

Fall Hazard
Falling can result in death or serious injury.

Wear approved personal fall protection equipment and achieve 100% tie-off when exiting and entering an elevated platform.
Read and understand the Operator's Manual.

1294707

⚠ DANGER

Electrocution Hazard
Death or injury can result from contacting electrical power lines.

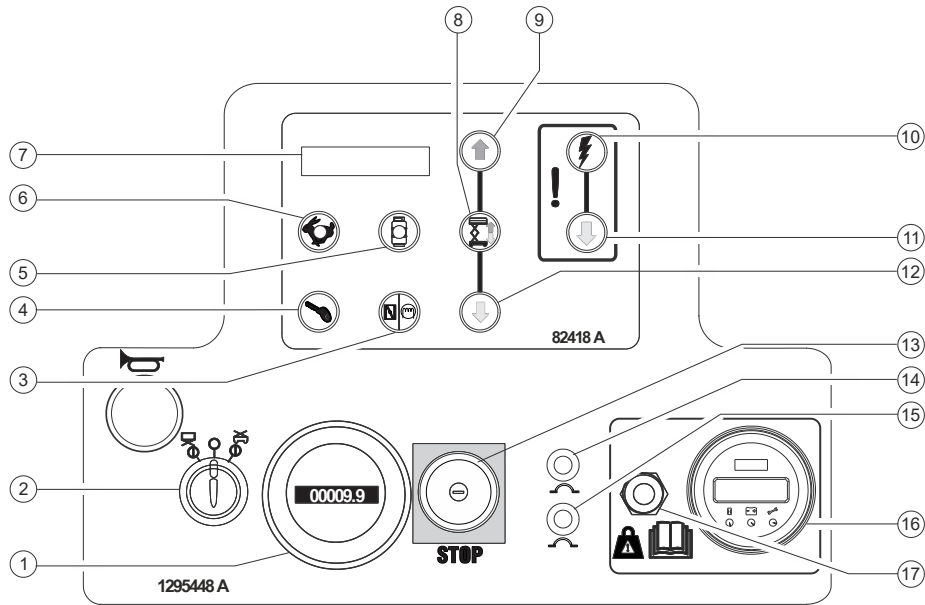
Always contact the electric power line owner. The electric power should be disconnected at the power lines nearest to the scissor lift before the machine is used.

Line Voltage	120V	240V
Line Spacing	18 in	36 in
Line Clearance	10 ft	15 ft
Line Clearance	10 ft	15 ft
Line Clearance	10 ft	15 ft
Line Clearance	10 ft	15 ft

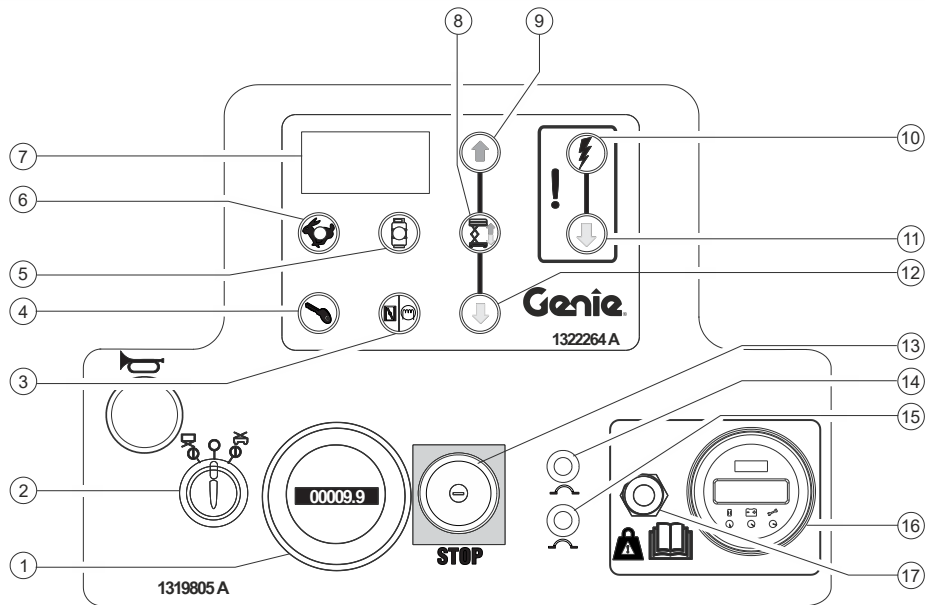


Controls

The ground control station is to be used as a means to raise the platform for function tests and for storage purposes. The ground control station can be used in the event of an emergency to rescue an incapacitated person in the platform.



or



Ground Control Panel



Inspections

Test Drive and Braking

- 29 Press and hold the function enable switch on the control handle.
- 30 Slowly move the drive control handle in the direction indicated by the blue arrow on the control panel until the machine begins to move, then return the handle to the center position.
 - ⦿ Result: The machine should move in the direction that the blue arrow points on the control panel, then come to an abrupt stop.
- 31 Press and hold the function enable switch on the control handle.
- 32 Slowly move the control handle in the direction indicated by the yellow arrow on the control panel until the machine begins to move, then return the handle to the center position.
 - ⦿ Result: The machine should move in the direction that the yellow arrow points on the control panel, then come to an abrupt stop.

Note: The brakes must be able to hold the machine on any slope it is able to climb.

Test Limited Drive Speed

- 33 Press and hold the lift function enable button. Raise the platform approximately 7.5 ft / 2.28 m from the ground.
- 34 Press and hold the function enable switch on the control handle.
- 35 Slowly move the control handle to full drive position.
 - ⦿ Result: The maximum achievable drive speed with the platform raised should not exceed 0.44 ft / 13 cm per second.

If the drive speed with the platform raised exceeds 0.44 ft / 13 cm per second, immediately tag and remove the machine from service.

Operating Instructions

Tilt Sensor Activation Settings

Tilt Sensor Activation Settings	
Chassis Angle on Wheels	
Chassis Angle (side to side)	2°
Chassis Angle (front to back)	3°
Chassis Angle on Outriggers	
Chassis Angle (side to side)	0.8°
Chassis Angle (front to back)	3°

When the machine is On Incline and elevated above the down limit height, the tilt alarm sounds and the drive and lift functions are disabled.



Lower the machine below the down limit height to restore drive and lift functionality.



Return the machine to level ground to restore lift functions.

After Each Use

- 1 Select a safe parking location—firm level surface, clear of obstruction and traffic.
- 2 Lower the platform.
- 3 Turn the key switch to the off position and remove the key to secure from unauthorized use.

CLICK HERE TO **DOWNLOAD** THE COMPLETE MANUAL

- Thank you very much for reading the preview of the manual.
- You can download the complete manual from: www.heydownloads.com by clicking the link below



- Please note: If there is no response to CLICKING the link, please download this PDF first and then click on it.

CLICK HERE TO **DOWNLOAD** THE COMPLETE MANUAL