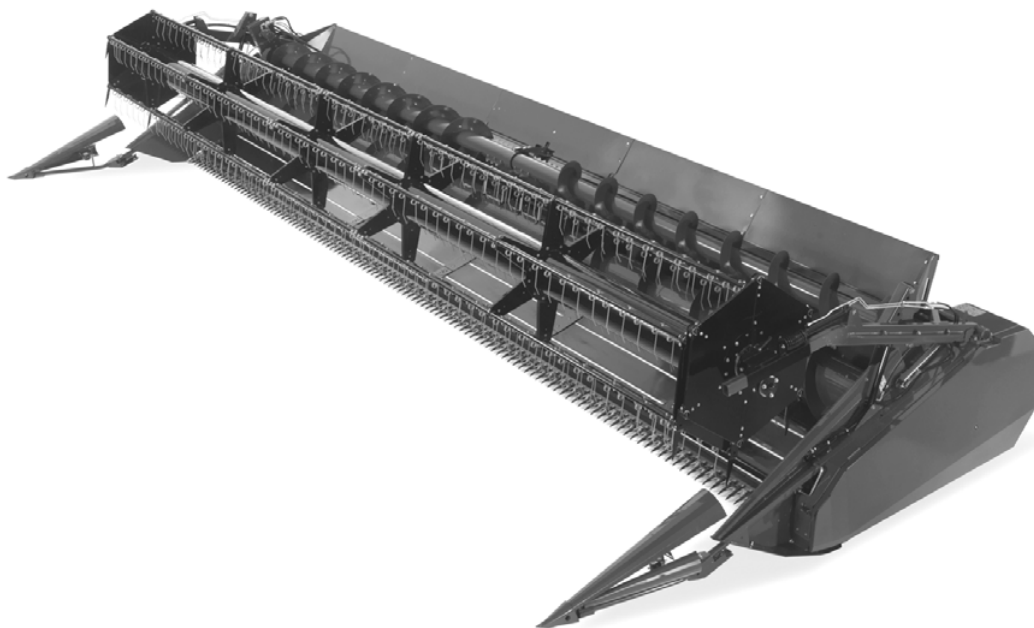

OPERATOR'S MANUAL

FENDT

PowerFlow 18-30



CLICK HERE TO **DOWNLOAD** THE COMPLETE MANUAL

- Thank you very much for reading the preview of the manual.
- You can download the complete manual from: www.heydownloads.com by clicking the link below



- Please note: If there is no response to CLICKING the link, please download this PDF first and then click on it.

CLICK HERE TO **DOWNLOAD** THE COMPLETE MANUAL

1

Table parts
6. Straw divider
7. Feathering fingers
8. Table auger

Table and vertical knife:

1

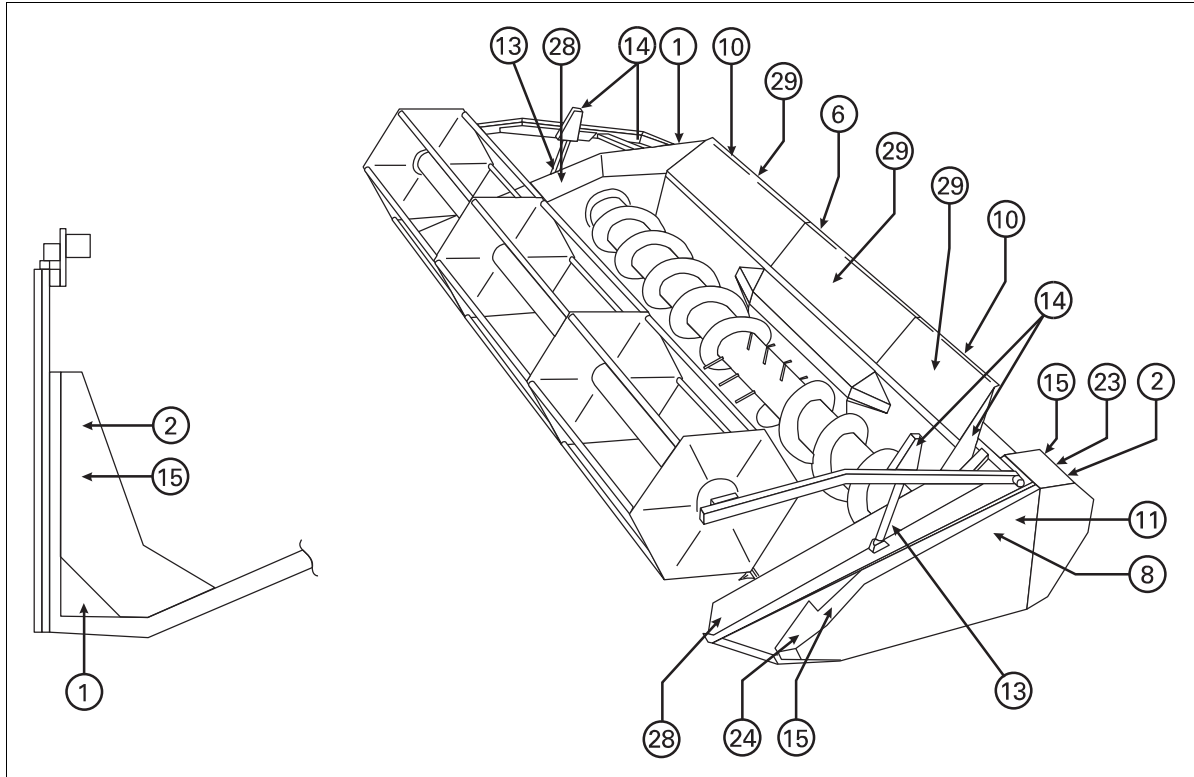


Fig. 4.

I017602

Table trailer

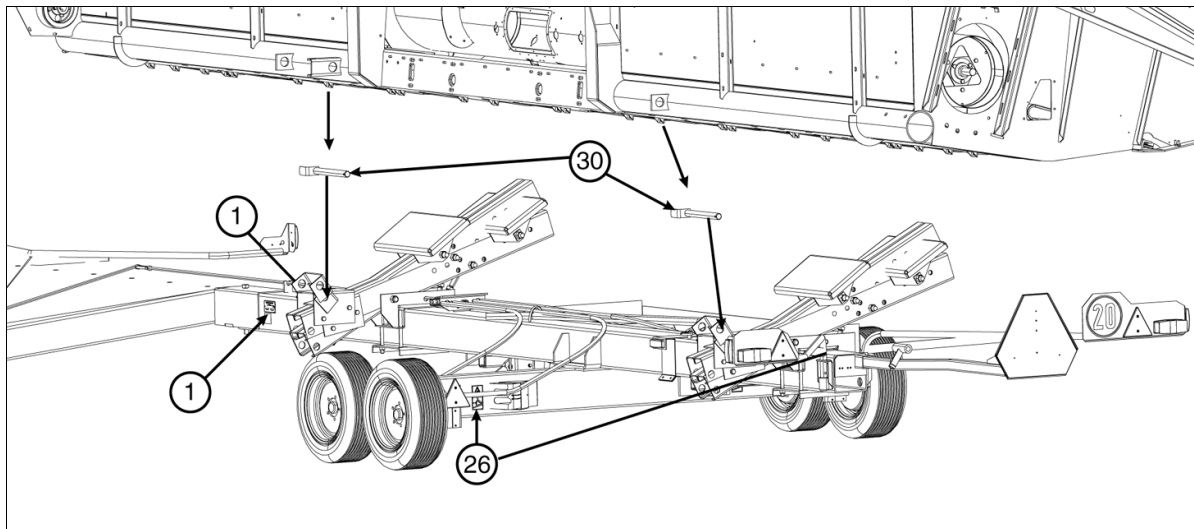


Fig. 5.

I015658

2.4 Auto Level Table

2.4.1 Principle of Auto Level Table

T010088

2

(fig. 1)

The Auto Level table system controls and adjusts the position of the table in relation to machine movements and ground contours.

The position of the table relative to the ground is monitored by the sensors (1) under the table. Please see the operator's manual for the combine for further details on calibration.

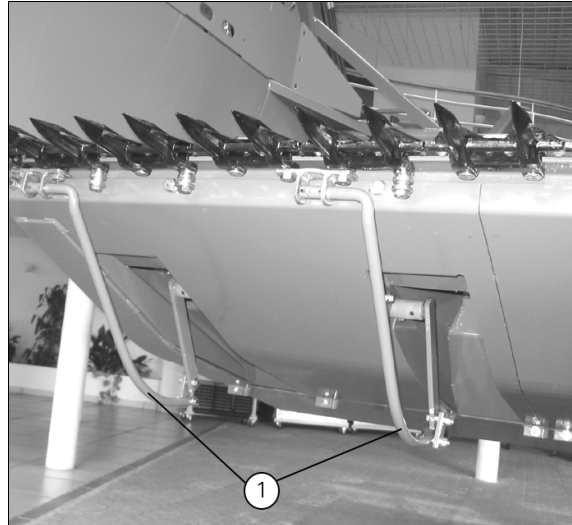


Fig. 1.

I016689

2.9 Transmission

2.9.1 General

T005730

(fig. 1)

Belt and chain tension is maintained with fixed or spring-loaded tension pulleys.

Fixed tension pulleys are adjusted by slackening the nut (1) and tightening the belt with the nut (2).

Spring-loaded tension pulleys are adjusted by slackening the nut (3) and compressing the spring (4) to measure, with the nut (5). Apply the gauge (6) where the spring length must be max. 105 and min. 100 mm.

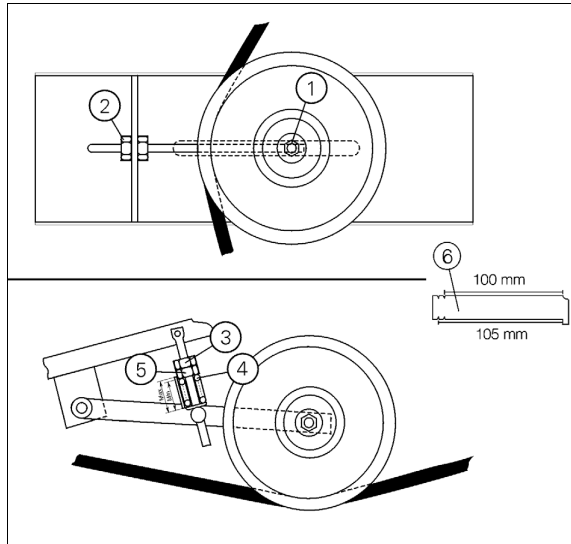


Fig. 1.

I016875

2

2.9.2 PowerFlow Table, Knife Drive and Table Auger

T005685

(fig. 2)

The table is driven from the transmission shaft between main crop elevator and table by the belt (14) which is tensioned by the tension pulley (13).

The knife is driven by the V-belt (1) which is tightened with the tension pulley (2). The table auger and the PowerFlow belts are driven by the chain (3). The chain tension is adjusted with the tension pulley (4). From the table auger sprocket (5) the POWERFLOW belts are driven by the chain (6).

The chain tension is adjusted with the tension pulley (7). The sprocket (5) has a built-in safety clutch which protects the table auger against stone damage.

Auger Speed Reduction

To reduce the speed of belts and auger for harvesting, e.g. oilseed rape, peas, etc. dismantle the two shims (9). Move the sprocket (10) to the right against the flange (11), mount the two shims (9) on the outside of the flange (11) and place the chain on the sprocket (12). Re-adjust chain drive and guide. The chain guide (8) not being adjusted against the chain may cause vibrations in table and machine.

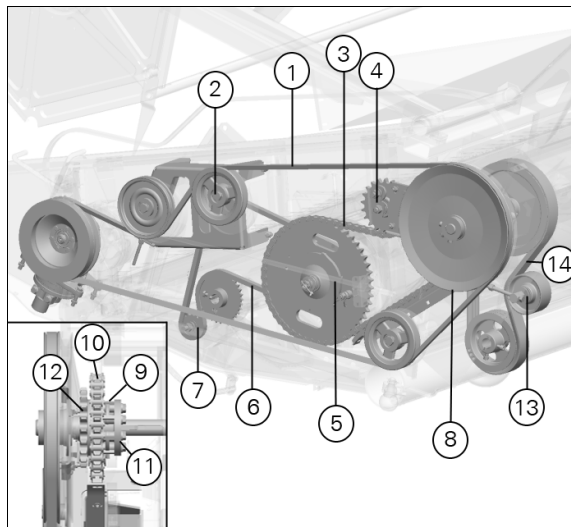


Fig. 2.

I016864

2.14 Fixed Fingers

2.14.1 Fitting of fixed table auger fingers

T005690

(fig. 1)

The fixed table auger fingers (1) are used when the crop cannot be evenly distributed over the full width of the machine.

The material not being evenly distributed may cause loss at straw walkers or shaker shoe.

The table auger fingers are fitted by means of mounting plates (2) inside the table auger.

Fit the mounting plates with two screws in the holes (3) and fit the fixed finger (1) with three screws in the holes (4). When not using the fixed fingers, leave all the screws tightened in the holes.

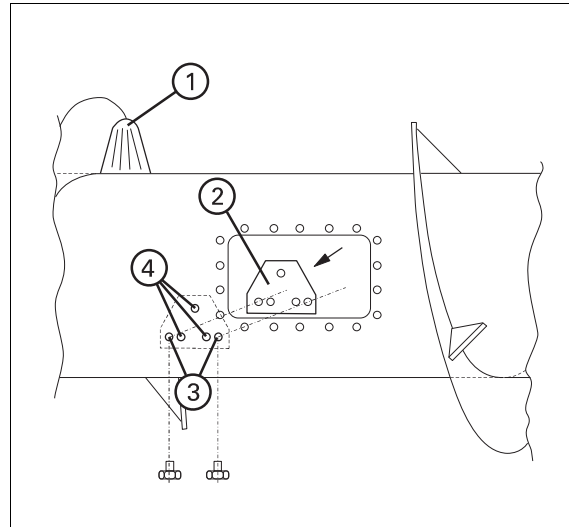


Fig. 1.

I016830

2.14.2 Using Fixed Table Auger Fingers

T006157

(fig. 1 and fig. 2)

If the crop volume in the middle of the table gets too large, the fixed fingers must be fitted in pos. (1) and (2). This may be caused by very dry or stiff material moving in front of the table auger,

If material accumulates in front of the middle of the table auger, fit the fixed fingers in pos. (2) and (3).

In swathed crop which is moving in front of the table auger, the fitting of fixed fingers in pos. (1) and (2) may improve the distribution of the crop over the full width of the machine.

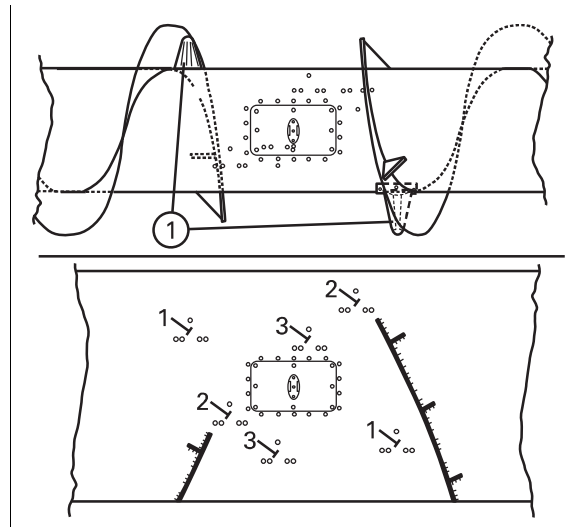


Fig. 2.

I016831

3.1.5 Lubricants

T010067

	Recommended product	Specification
Knife drive gearbox	BP Energrease LCX 222 ¹⁾	NLGI 2, K2 (DIN 51502), Lithium
Additional grease nipples and sliding surfaces	Fendt Extra Grease EP	NLGI 2
Chains and linkages	Fendt Super Trans 85W-90	API GL-5

1. Grease for knife drive gear must not contain molybdenum.

Similar lubricants of other makes can be used provided they satisfy the minimum quality requirements.



CLICK HERE TO **DOWNLOAD** THE COMPLETE MANUAL

- Thank you very much for reading the preview of the manual.
- You can download the complete manual from: www.heydownloads.com by clicking the link below



- Please note: If there is no response to CLICKING the link, please download this PDF first and then click on it.

CLICK HERE TO **DOWNLOAD** THE COMPLETE MANUAL