

EXODUS

MACHINES

MX447 & MX457 MATERIAL HANDLER

2011 OPERATOR'S MANUAL

The information and illustrations in this book have been approved as accurate at the time of printing. However, this book may contain information on options not present on your material handler. EXODUS MACHINES, LLC reserves the right to make changes and improvements to its products at any time without notice or obligation.

EXODUS MACHINES, LLC
ONE EXODUS DRIVE
SUPERIOR, WI 54880
MAIN SWITCHBOARD: 715-395-6060
exodusmachinesinc.com

CLICK HERE TO **DOWNLOAD** THE COMPLETE MANUAL

- Thank you very much for reading the preview of the manual.
- You can download the complete manual from: www.heydownloads.com by clicking the link below



- Please note: If there is no response to CLICKING the link, please download this PDF first and then click on it.

CLICK HERE TO **DOWNLOAD** THE COMPLETE MANUAL

Safety Information

Operate Only if Qualified

Do not operate this machine unless you have read and understand the manuals, safety labels, work zone parameters, hand signals, employer work rules and have been qualified by supervised training and instruction.

Try all controls, machine functions and familiarize yourself with the information displayed in the material handlers monitor.

Until you become familiar with the controls of this machine you should run machine in it's Creeper mode.

Operators Qualifications

Operator must pass a practical examination for the machine they will operate. This includes;

- Vision of at least 20/30 in one eye and at least 20/50 in the other eye, with or without corrective lenses.
- Adequate hearing with or without a hearing aid.
- Certain health conditions, such as heart conditions or seizure disorders, may disqualify an operator. Report any health concerns and medications to your supervisor.

Never Use Drugs or Alcohol While Operating Machine

Drugs and alcohol affect an operator's alertness and coordination and the operator's ability to safely operate the equipment. **Never use drugs or alcohol while operating the material handler. Never knowingly allow others to operate this material handler when alertness or coordination is impaired.** An operator taking prescription or over-the-counter medication must consult a medical professional regarding any side effects of the medication that would hinder the ability to safely operate this equipment.

Inspect Machine

Before you begin the work day, inspect complete machine by walking around it before starting.

Check all frame structures for cracks, do not operate machine if you find any cracks.

Assure all guards, shields and safety decals are in good condition and properly installed. Fix or repair any damaged, worn or broken parts immediately. Carefully inspect hydraulic hoses and electrical wiring.



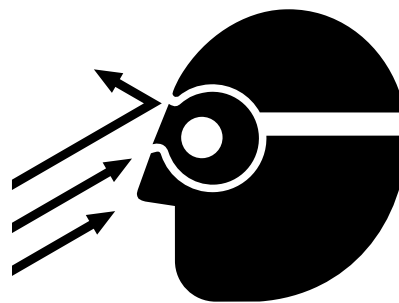
Safety-Maintenance Precautions

Drive Metal Pins Safely

Always wear protective goggles or safety glasses and other protective equipment before striking hardened parts.

Hammering hardened metal parts such as pins may dislodge chips at high velocity.

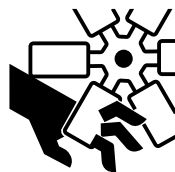
Use a soft hammer or a brass bar between hammer and object to prevent chipping.



Avoid Entanglements

Prevent death or serious injury from entanglement. **Do not wear loose clothing or accessories. Restrain long hair. Stay away from all rotating components when the engine is running.**

Avoid Rotating Parts



Avoid Pinch Points



Stay Clear

- Do not allow personnel under the material handler or attachment for any reason unless they are shut down, supported and secured so that they cannot move in any way.
- Never move the material handler or the load over personnel.



Safety Labels

- Be familiar with the safety and instructional labels and tags located on the machine.
- If any safety labels require replacement, obtain them from Exodus Machines Inc. at no charge.



IQAN Computer System

Cab Out of Operating Position and Outriggers Not All Down



Machine Icon		
Item	Color	Indicates
Boom	Red	Boom won't move, control power is off.
Cab	Green	Cab can move within the operating position range and may be lowered to the ground.
Wheels	Red	Parking brake is set.
Axle Rear	Red	Axle is locked, will not oscillate.

Note: If "Cab Out of Operating Position" is shown on IQAN screen, then cab is forward. This indicates machine Boom, Swing and Travel function is inactive.

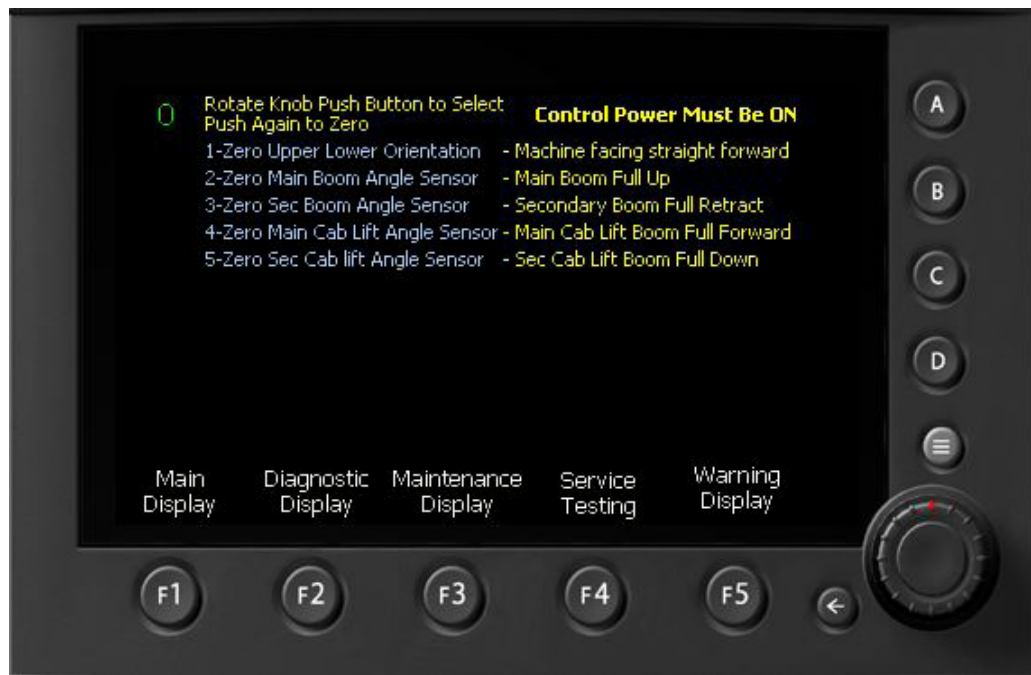
IQAN Computer System

Maintenance Display 2 Sensor Zeroing

Maintenance Display 2 Sensor Zeroing

This screen is accessible through the previous Maintenance Display screen, which is PIN Code protected. This screen allows zeroing machine angle/orientation sensors in case one is replaced or misaligned. Use the knob to scroll through and select the sensor. Make sure machine is in the orientation noted in yellow text to the right of the sensor description. Push button on knob once to confirm the selection, push again to zero the sensor. Green text "Zeroed" will flash next to the zeroed sensor.

Buttons	Description
A, B, C, D	No Function
Menu	(Gray with three lines) - Always brings up IQAN Main Menu
F1	Brings up Main Display screen.
F2	Brings up Diagnostic Display screen.
F3	Brings up Maintenance Display screen.
F4	Service Testing Enabled - Allows Override All from Main Screen & Shortcut to Maintenance Screen (Service screen will shut off after two hours of on time)
F5	Brings up Warning screen (Warning symbol changes to "Warning Display" text if no alarm is active.)
Arrow	No Function
Knob Rotate	Scrolls selection number in upper left corner of display
Knob Push	Confirms selection and zeroes the sensor



Note: This screen is for service **ONLY**, **NOT** for normal operation.

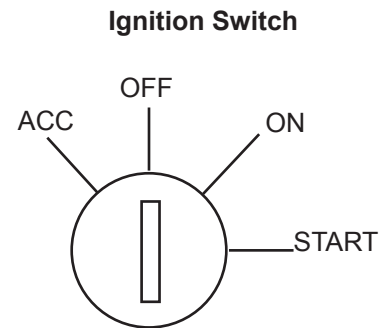
Operator's Station

Key Switch (Ignition Switch/Starting Engine)

The Ignition Switch is a four position key operated switch located on the Control Console.

Ignition Switch Functions	
ACC	Provides power to radio and 12 VDC power ports.
OFF	Electrical power is disconnected.
ON	Turns IQAN Computer on.
START	Turn the ignition key to this position to start engine. The switch will return to the On position when released.

Note: To restart engine, turn ignition switch to Off position then to START position.



Throttle Selection

Max Speed (A)

Sets engine RPM to maximum.

Idle (B)

Sets engine RPM to minimum.

Warm Up Speed (C)

Sets engine to 1100 RPM. (Warm up speed is adjustable to 1100 RPM.)

When Warm Up Speed is selected, the hydraulic warming circuit is also turned on. Engine returns to idle when Engine and Hydraulics are up to operating temperature. If system cools back down, engine will return to 1100 RPM and enable hydraulic warm up again. The "Warm up Speed" stays active until another throttle function is selected or "Warm up Speed" is shut off.

Auto Throttle (D)

If Auto Throttle was left on when machine was shut down, it will stay on when starting machine.

IQAN Screen



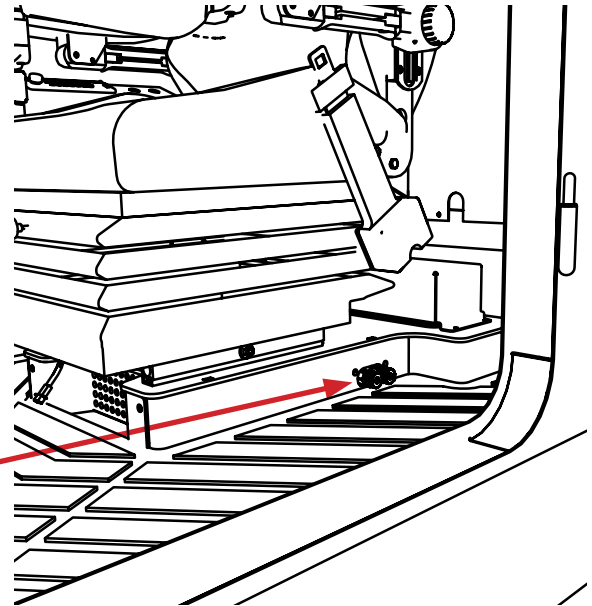
Operating the Machine

Emergency Cab Lowering

Emergency Cab Lowering

If the machine loses power, the cab may be lowered by pulling the emergency lowering knobs on the left hand side of the seat near the floor. Under these circumstances, the cab may be lowered regardless of the position of the upper relative to the undercarriage.

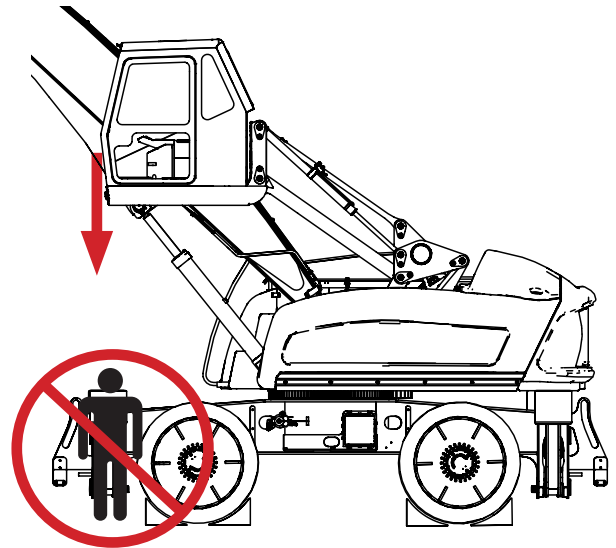
The cab will descend until the knobs are pushed back in, until the cab reaches the ground or until the cab's movement is stopped by another part of the machine or by other obstructions.



Emergency Cab Lowering Controls

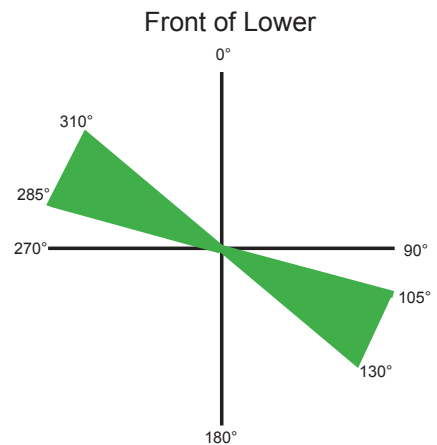
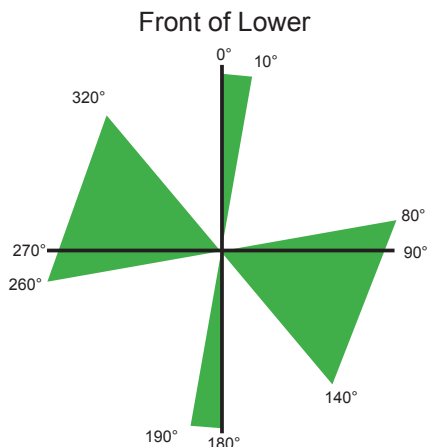
NOTICE: If cab travel is stopped by another part of the machine or another obstruction, damage may occur to the cab, other machine components, or any other object in the cab's path.

WARNING! Assure personnel are not in the way when lowering cab as this could result in death or serious injury.



Rotate MX457 over areas in green to set cab on ground.

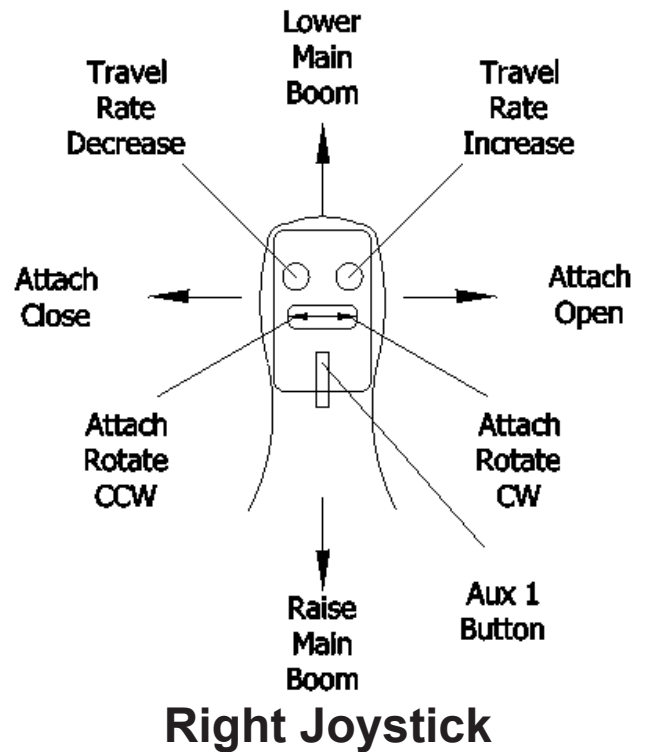
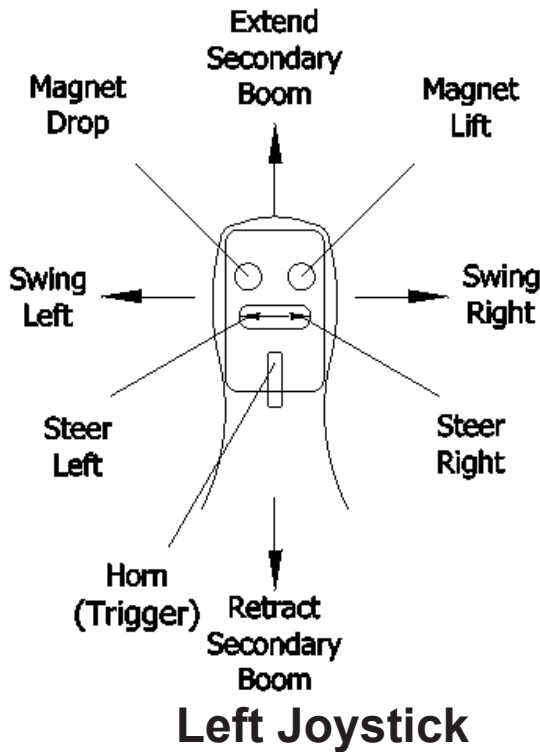
Rotate MX447 over areas in green to set cab on ground.



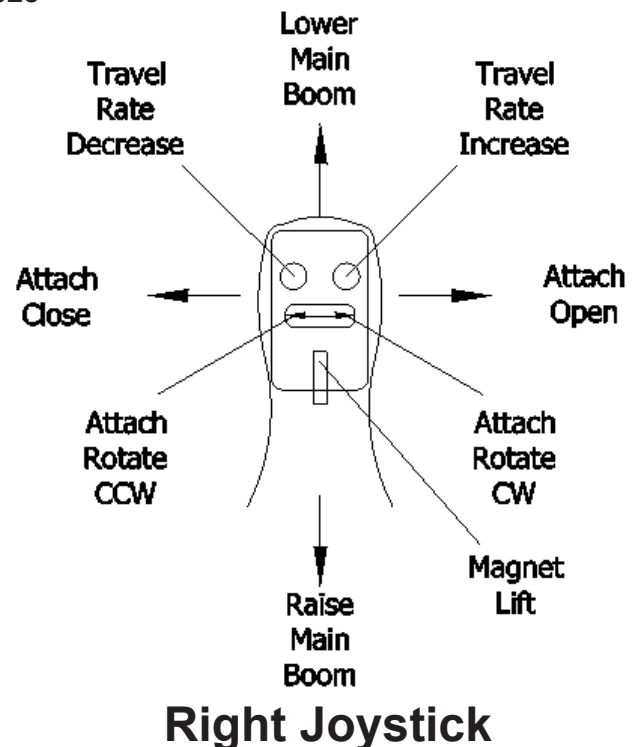
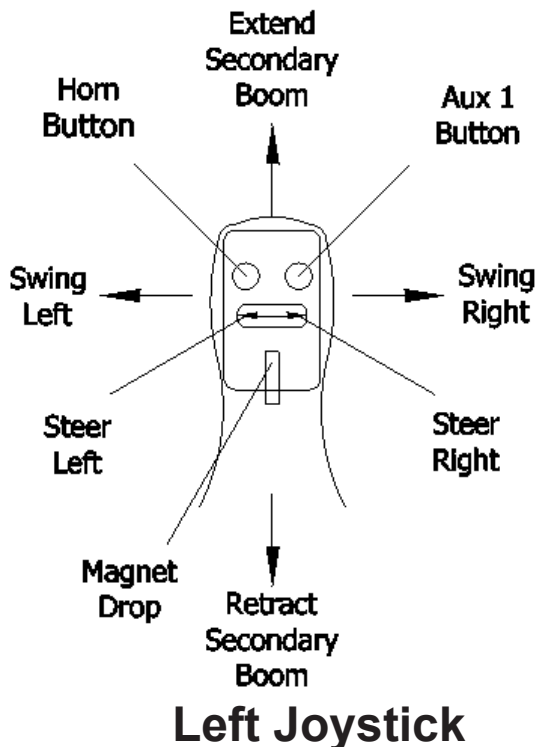
Operating the Machine

Joystick Controls

OPTIONAL HUBBEL GENERATOR CONTROLLER SET UP 16-00026



TYPICAL HUBBEL GENERATOR CONTROLLER SET UP 16-00028



Maintenance

Long Term Storage

Preparation for Long Term Storage

- When preparing to store the machine for an extended period of time, select a storage location that is as dry and dust free as possible.
- Park and shut down the machine.
- Clean the machine.
- Fill consumables and lubricants; grease outriggers and grapple, if attached.
- Switch the battery isolation switch or disconnect the battery pole.
- Preserve bare metal parts such as cylinder rods.
- If machine has been shut down for greater than six months, contact Exodus Machines before putting the machine back into service.

CLICK HERE TO **DOWNLOAD** THE COMPLETE MANUAL

- Thank you very much for reading the preview of the manual.
- You can download the complete manual from: www.heydownloads.com by clicking the link below



- Please note: If there is no response to CLICKING the link, please download this PDF first and then click on it.

CLICK HERE TO **DOWNLOAD** THE COMPLETE MANUAL