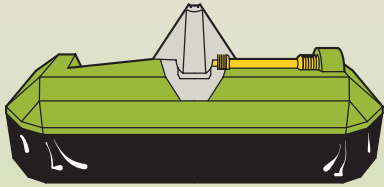


CLAAS



CORTO 3150 F Profil
CORTO 275 F Profil

Operator's Manual

SERVICE & PARTS

CLICK HERE TO **DOWNLOAD** THE COMPLETE MANUAL

- Thank you very much for reading the preview of the manual.
- You can download the complete manual from: www.heydownloads.com by clicking the link below



- Please note: If there is no response to CLICKING the link, please download this PDF first and then click on it.

CLICK HERE TO **DOWNLOAD** THE COMPLETE MANUAL

MAINTENANCE

Repair, maintenance, and cleaning work, as well as the elimination of malfunctions should only be done with the drive and engine switched off.

Remove the ignition key.

Wait until the mower drum has come to a complete stop.

The repair of prestressed energy-storage devices (springs, hydraulic accumulators, etc.) requires unless proper equipment and experience, and may only be carried out in specialist workshops.

Regularly check the tightness of nuts and bolts, and retighten them as necessary.

When doing work on the raised machine, ensure that it is chocked up safely by means of suitable supports.

When replacing working parts, always use suitable tools and wear safety gloves.

Dispose of oil, grease, and filters in the prescribed manner.

Always disconnect the power supply leads before starting work on the electrical system.

Guards and shields that are subject to wear must be inspected at regular intervals, and replaced in good time.

Spare parts must at least comply with the technical standards required by the implement's manufacturer. This ensured e.g. by using original spare parts.

Before doing any electrical welding work on the tractor or mounted implements, always disconnect the leads from the battery and alternator.

NOISE LEVEL

If the noise level at the driver's ear exceeds 85 dB (A) (see »Technical data«), he must wear ear protection.

IDENTIFICATION OF WARNING AND DANGER SIGNS

All parts of this manual concerning your own safety and the safety of the machine, have been marked with the following symbols. Please pass on all safety instructions to any other user.



Danger!

Sign to indicate instructions which must be observed. Failure to do so would cause danger to life and limb of the operator and the people around him.

- Preventive measures.
-



Attention!

Sign for instructions which must be observed. Failure to do so could result in damage to the machine.

- Measures to prevent damage to the machine.
-



Note!

Sign to indicate instructions for a more efficient and economic use of the machine.

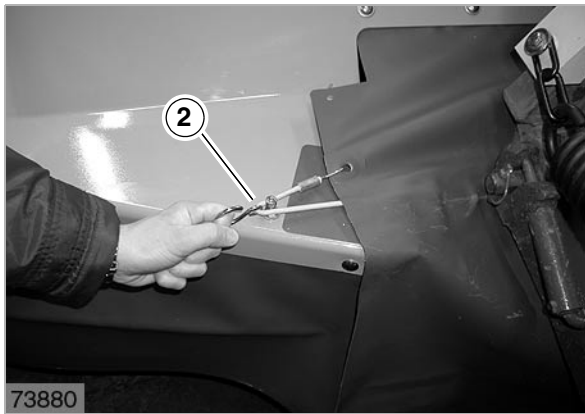


Environment!

Sign to indicate instructions which must be observed to prevent damage to the environment.

Danger to the environment is caused by improper handling and incorrect disposal of toxic material (e.g. old oil).

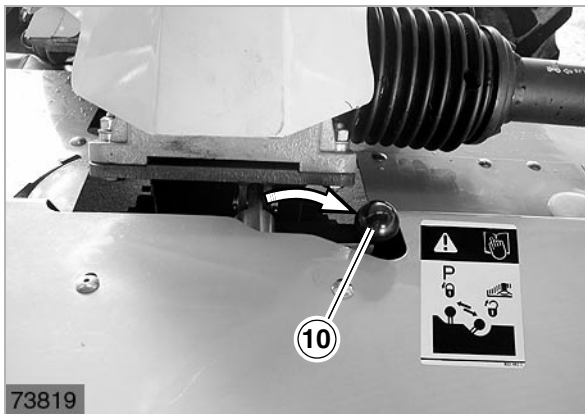
The warning and instruction signs placed on the machine provide important recommendations for safe operation. These instructions involve your safety -- observe them at all times!



7

When the mower has been hitched, the rear safety curtain must be reattached by means of the rubber ropes (2).

(Fig. 7)



8

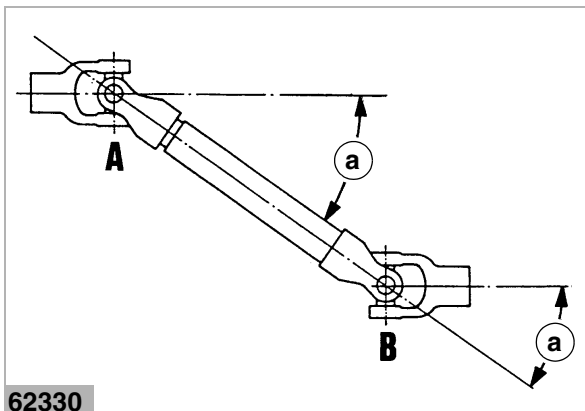
Longitudinal compensation of mower

Release the catch for the longitudinal compensation by pulling lever (10) outwards into the working position.



Note!

The longitudinal compensation is now locked for lowering the mower. The longitudinal compensation must be released for road transport and during operation.



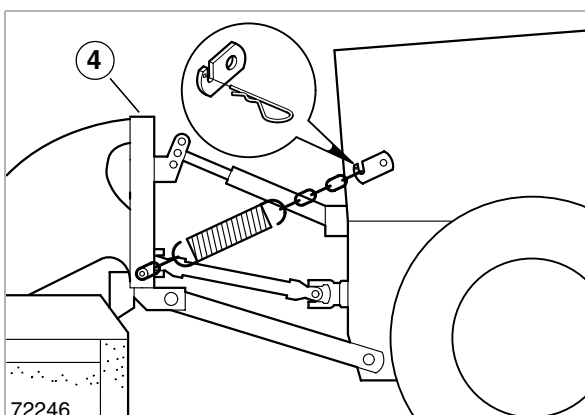
9

Adjusting the top link

During raising, the mower must maintain its horizontal position, i.e. it must not tilt to the front or rear during lifting, so that both joints of the drive shaft are at practically the same angle ($a = a$).

If the position of the mower changes considerably during lifting, the unequal joint angles will cause the machine to run unevenly.

(Fig. 9)



10

In this case, the top link attachment on the three-point frame or on the quick coupler must be raised or lowered.

Proceed as follows:

- Park the tractor and mower on an even surface.
- Adjust the top link so that the three-point frame (4) is vertical.

(Fig. 10)

9 Operation

FIELD OPERATION

Working position



73884

1



73885

2



Danger!

Work on the machine may only be carried out with the drive disengaged and the engine switched off.

- Remove the ignition key.

Nobody is allowed within the mower's working range.

- Order all persons out of the danger area.
- Switch off the machine at once, if necessary.
- Only engage the PTO when the mower is fully lowered.

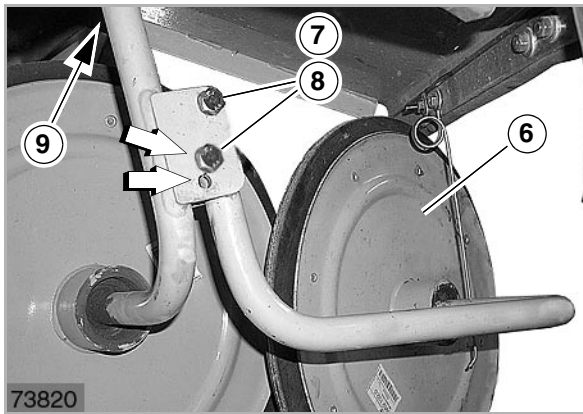
When lowering the machine from the transport to the working position and vice-versa, there is a risk of injury through crushing/shearing in the area of the universal joints.

- Never reach into a danger area as long as the parts could still be moving.

When the mower has been lowered to the working position, the safety curtains at the sides must be swung downwards. Proceed as follows:

- First, pull the safety curtains (1) upwards, and then fold them downwards.

(Fig. 1, 2)



16

Additional swath discs

G03 0040

Pair of additional swath discs for narrow swath.

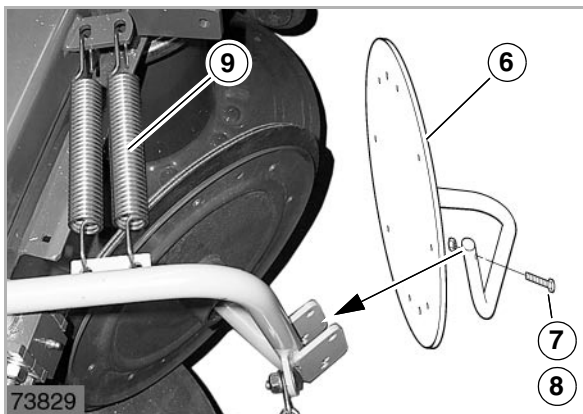
Mounting:

Attach the additional swath discs (6) at left and right using hexagon bolts (7) (M10x 50) and self-locking nuts (8) (M10).



Caution!

Do not turn the nuts down tightly. The swath discs must be free to adapt to uneven ground. The lower hexagon bolts serve as end stops. Two different holes are available, depending on cutting height.

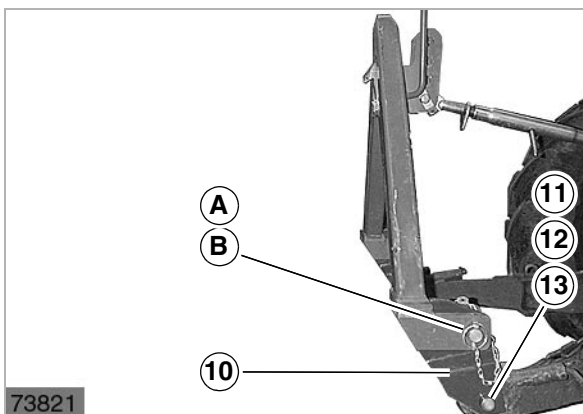


17

Hook the additional tension springs (9) next to the existing springs at left and right.

The necessary parts are available from our Spare Parts Service.

Order no.: 0922 430.0
(Fig. 16-17)



18

Three-point booster

To increase the lifting height for tractors with short lower links.

Mounting:

Mount the hitch pins (11), roll pins (12), and lynch pins (13) into the lower hole of the booster plates (10).

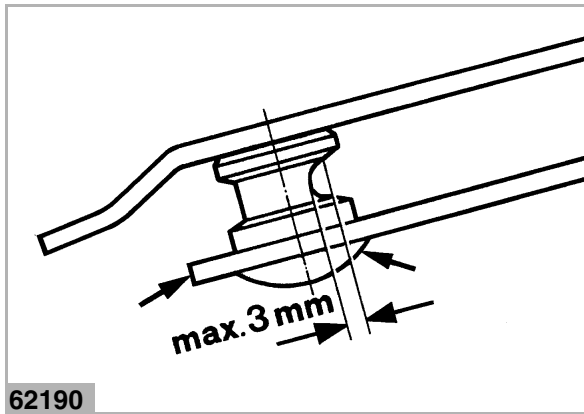
Attach the booster plates (10) at left and right of the quick coupler using the existing hitch pins (A) and lynch pins (B).

Hitch the quick coupler to the lower link by means of the booster plates (10).

Attach and adjust the upper link.

The necessary parts are available from our Spare Parts Service.

Order no.: 0925 689.0
(Fig. 18)



62190

13

MOWER BLADE HOLDERS

Every time the mower blades are replaced, the inner radius of the blade mounting stud must be checked for wear grooves caused by the blade. At the latest when the wear groove in the stud has reached a depth of 3 mm, all the mounting parts must be replaced, including a new mounting stud.

Similarly, check the rivet heads of the mounting studs in the blade holder for tightness, and for signs of wear on the outer edge of the holder (arrow) .(Fig. 13)

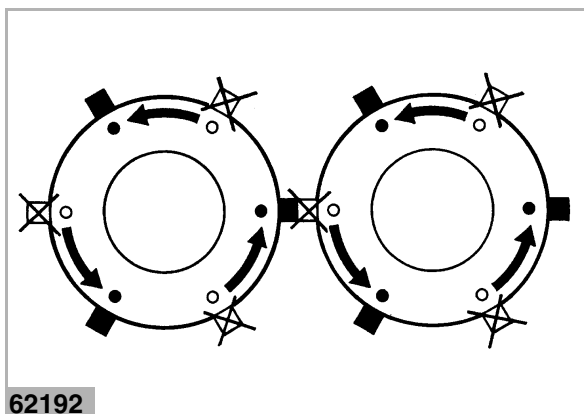
Damaged or worn blade holders must always be replaced.

Replacement blades must at least comply with the technical specifications defined by CLAAS. This is guaranteed, if original CLAAS mower blades are used.

Never attempt to weld a broken blade holder.

If necessary, all the blade holders of the mower drum must be replaced.

(Fig. 13)



62192

14

If the mower drum shows signs of wear in the area of the mower blades, **all** the blade holders must be re-mounted in the second hole pattern.

(Fig. 14)

CLICK HERE TO **DOWNLOAD** THE COMPLETE MANUAL

- Thank you very much for reading the preview of the manual.
- You can download the complete manual from: www.heydownloads.com by clicking the link below



- Please note: If there is no response to CLICKING the link, please download this PDF first and then click on it.

CLICK HERE TO **DOWNLOAD** THE COMPLETE MANUAL