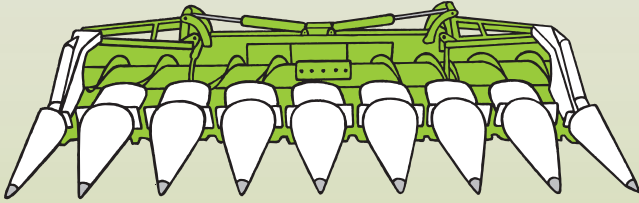


CLAAS



**CONSPEED 12
CONSPEED 8
CONSPEED 6**

LEXION / MEDION / MEGA

Assembly and operator's manual

SERVICE & PARTS

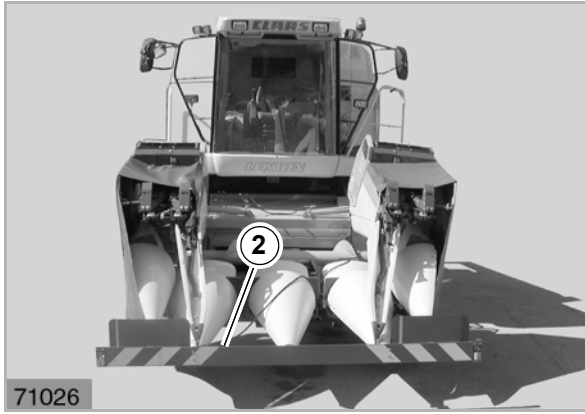
CLICK HERE TO **DOWNLOAD** THE COMPLETE MANUAL

- Thank you very much for reading the preview of the manual.
- You can download the complete manual from: www.heydownloads.com by clicking the link below

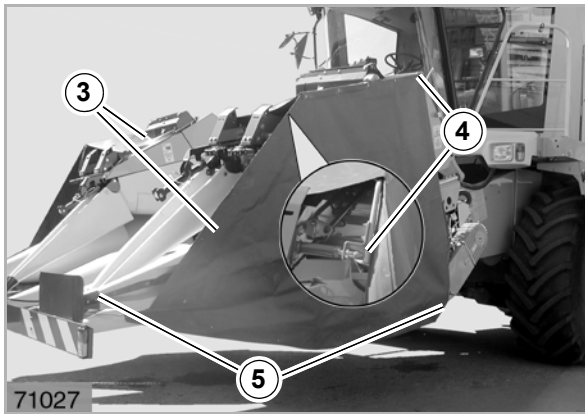


- Please note: If there is no response to CLICKING the link, please download this PDF first and then click on it.

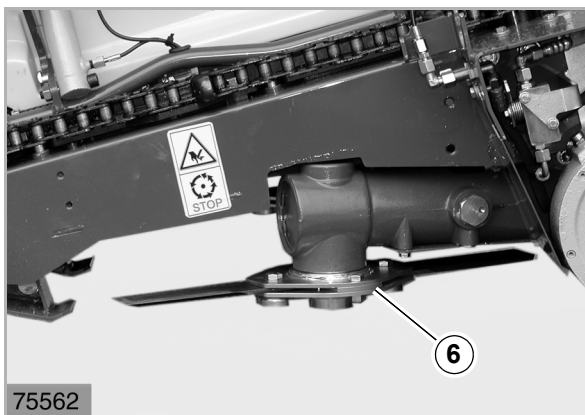
CLICK HERE TO **DOWNLOAD** THE COMPLETE MANUAL



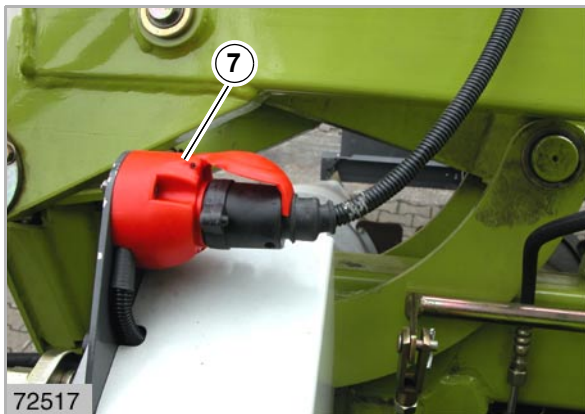
5



6



7



8

Protective equipment for road transport

The following requirements must be fulfilled for road transport:

1. Maize picker swung into transport position – see *Work and transport position* on page 7.2.
2. Chopper (6) protruding on the left disengaged (with maize picker swung into transport position!) – see *Engaging/disengaging the chopper* on page 7.5.
3. Safety bar with lighting (2) attached and mounted with the spring hooks.
4. Side safety guards (3) hung into suspension points (4) provided and fastened with spring hooks (5).
5. Cable for lighting inserted in socket (7).
6. Driving lights switched over – see *Driving lights during road transport* on page 3.5.

(Fig. 5, 6, 7, 8)

6 Prior to operation

**DANGER!**

Carry out work under the raised front attachment only after having propped it safely.

- see *Safety prop* on page 4.3.

Always carry out work on the maize picker and/or combine harvester with the drive switched off and the engine at a standstill.

- Remove the ignition key!
- Switch off the battery master switch!

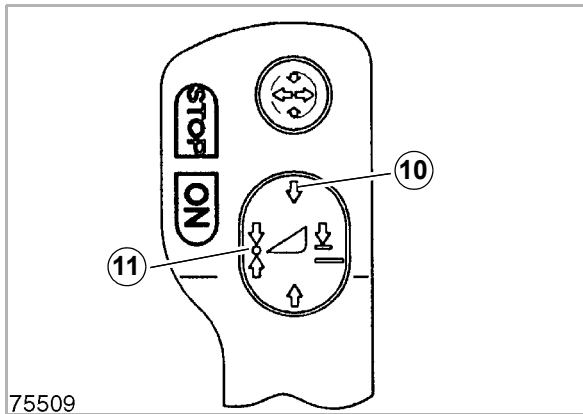
In addition, when working on the chopper of the maize picker:

- Disconnect the universal drive shaft!
-

CHECK AND OBSERVE THE FOLLOWING BEFORE PUTTING INTO OPERATION

1. Check oil level in the gearboxes.
 - see *Drive systems* on page 8.2
2. Thoroughly lubricate the maize picker before putting it into operation.
 - see *Lubrication chart* on page 9.1
3. Check bolts for tightness.
4. Check finger chains for correct tension.
 - see *Tensioning the finger chains* on page 8.12
5. Check drive chains for correct tension.
 - see *Tensioning the drive chain* on page 8.13
6. Secure universal drive shaft gear against rotating by hanging in the chains.
7. Check protective bar for wear and damage.
8. Mount and lock all protective devices.
 - see *Guards* on page 8.1
9. Check vehicle for any loose parts before moving off. Firmly attach or cover parts which can fall off during travel.
10. Make sure no-one is in the area of danger. Immediately switch off the machine if persons approach the area of danger.
11. Never let the machine run without proper supervision.

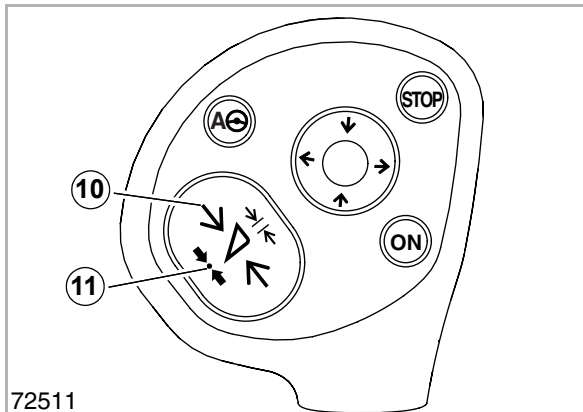
LEXION 452 - 468



75509

24

LEXION 541 - 548, 580 - 586, 589



72511

25

7. Press the tip switch on the multifunction lever.
 - 10 = Lower cutterbar.
 - 11 = Slowly lower cutterbar.
- see also the operator's manual for the combine harvester.

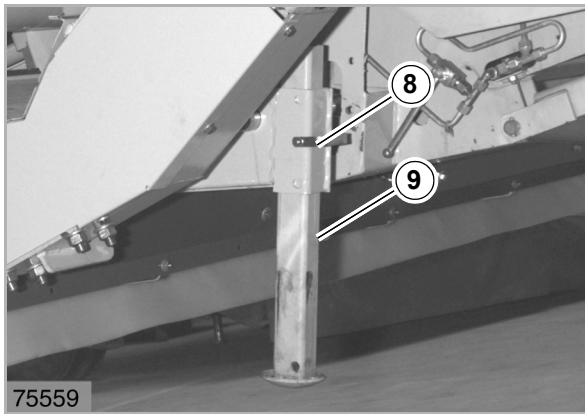
(Fig. 24)



ATTENTION!

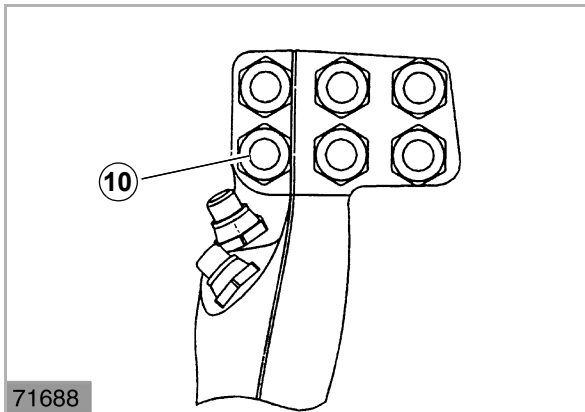
Make sure the coupling hooks do not get caught in the coupling pins before you reverse with the combine harvester!

8. Carefully reverse the combine harvester.



52

MEDION/MEGA



53

10. Pull out both stands (9) and secure with pins (8) in lower position.
11. Start engine and fully lower feeder housing of the combine harvester on the multifunction lever.

(Fig. 52)

12. Press the tip switch on the multifunction lever.
10 = Lower cutterbar.
– see also the operator's manual for the combine harvester.

(Fig. 53)



ATTENTION!

Ensure that the coupling hooks do not catch on the coupling pins when reversing the combine harvester!

- see *Unlocking the maize picker*, page 6.20.

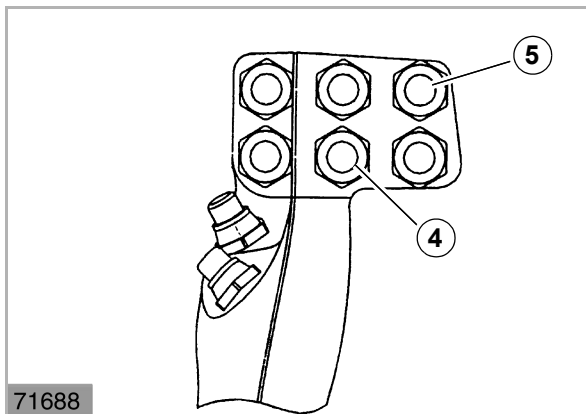
13. Carefully reverse the combine harvester.

LEXION

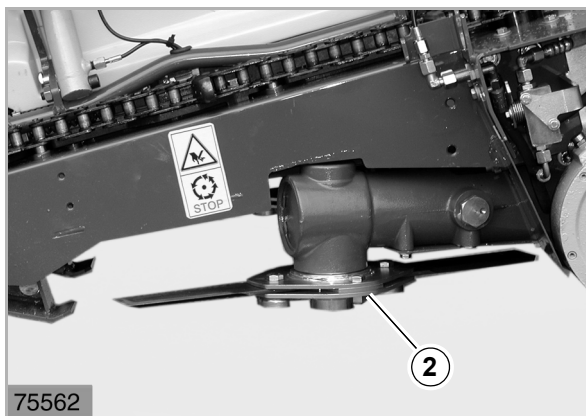


75515

MEDION/MEGA



71688



75562

Transport position

1. Swing maize picker into transport position:

LEXION 470 Montana / 430 Montana:



ATTENTION!

If they are swung together with universal drive shafts attached they will be damaged with the LEXION 470 Montana / 430 Montana.

- Disconnect universal drive shafts.

6

Before swinging together:

- Disconnect right and left universal drive shafts.
- Place universal drive shafts in the bracket on the maize picker.

LEXION:

- Press rocker switch (3) on the instrument panel.

MEDION/MEGA:

- Press the tip switch (4+5) on the multifunction lever.

7

2. Disengage chopper (2)

- see *Engaging/disengaging the chopper* on page 7.5.

(Fig. 6, 7, 8)

8

**Fitting kit - Montana (M04 0100)**

For fitting the CONSPEED Model 908/911 (6 rows) to the LEXION 470 Montana / 430 Montana the fitting kit is required.

Order no.:

0905 798.0

(Fig. 34)

34

General information concerning universal drive shafts



DANGER!

Never run drive shafts without their guards, or if the guards are damaged.

- Fit the joint guard and protective tube.
- Secure the guard against turning with the shaft!
- **Only operate the universal drive shafts if they are in a technically perfect condition.**

Damaged or missing protective tubes, universal drive shaft guards and fixing chains should be replaced immediately.

Protect the universal drive shafts from the effects of weather.

After the season, thoroughly clean the universal drive shafts in all components and lubricate.

In the event of winter operation, the protective tubes should be greased to prevent them from freezing up.

After standstills for longer periods of time, the universal drive shafts must be re-greased when starting work again and their correct function should be checked.

Universal drive shaft - fitting LEXION 470 / 430 Montana

In order to dismantle the universal drive shaft, and for lubrication of the joints, slide and protection tubes, the universal drive shaft guard must be removed.

Lubrication intervals and lubricants – see *Lubrication chart*, page 9.1.

(Fig. 16)



16

FIXING ELEMENTS

Screw connections

After 10 operation hours, all screws and nuts of the machine must be rechecked and tightened. Check on a regular basis!

Connection elements

All safety relevant connection elements such as bolts, screws, pins etc. should be regularly checked for wear and deformation.

If necessary, the connection elements should be replaced by new ones.

WINTER STORAGE

1. Clean the dirt off the front attachment.
2. Drain the oil from the gearboxes and refill with new oil up to the prescribed level.
3. Grease all lubrication points thoroughly until oil comes out of the bearings (see *Lubrication chart*, page 9.1). Run the front attachment for a short period.
4. Check the front attachment for wear and damage and repair as necessary.
5. Clean rust spots and repair paint damage.
6. Store the front attachment in a dry, weather-protected room where no commercial fertiliser is stored.

CLICK HERE TO **DOWNLOAD** THE COMPLETE MANUAL

- Thank you very much for reading the preview of the manual.
- You can download the complete manual from: www.heydownloads.com by clicking the link below



- Please note: If there is no response to CLICKING the link, please download this PDF first and then click on it.

CLICK HERE TO **DOWNLOAD** THE COMPLETE MANUAL