

Operators Manual Timberjack 790 (Unicon)

S/N: 10BD1001

CALIFORNIA
Proposition 65 Warning

Diesel engine exhaust and some of its constituents are known to the State of California to cause cancer, birth defects, and other reproductive harm.

If this product contains a gasoline engine:

 **WARNING**

The engine exhaust from this product contains chemicals known to the State of California to cause cancer, birth defects or other reproductive harm.

The State of California requires the above two warnings.

CLICK HERE TO **DOWNLOAD** THE COMPLETE MANUAL

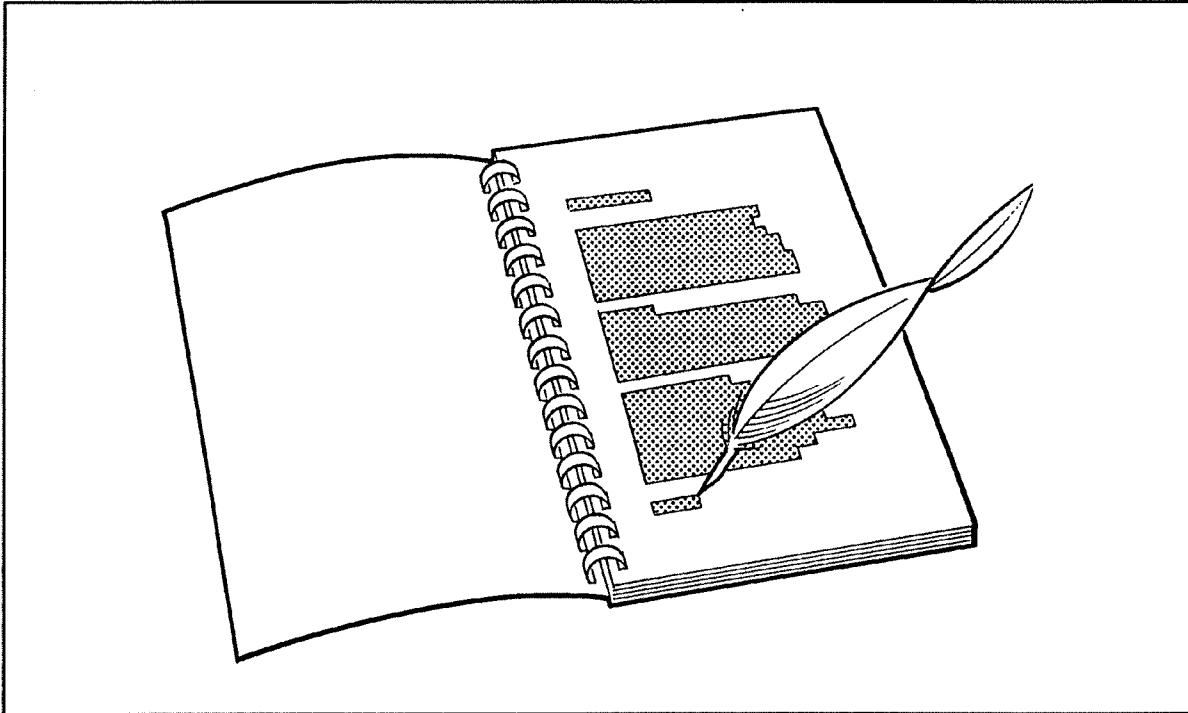
- Thank you very much for reading the preview of the manual.
- You can download the complete manual from: www.heydownloads.com by clicking the link below



- Please note: If there is no response to CLICKING the link, please download this PDF first and then click on it.

CLICK HERE TO **DOWNLOAD** THE COMPLETE MANUAL

1. Introduction



<u>1.1 Foreword</u>	<u>1-2</u>
<u>1.2 Model and Serial Number Record</u>	<u>1-3</u>
<u>1.3 Non-approved Field Product Changes</u>	<u>1-4</u>

3.4 General Safety Precautions

Timberjack Forestry Attachments' policy is to produce products that are safe and reliable. However, even when using well engineered equipment, there will always be an element of risk in heavy-duty equipment operation.

To minimize the risks and promote safety at all times, this section of the manual details a number of safety rules which should always be followed and obeyed.

Study all the safety messages in this manual and on the bar saw grapple head carefully.

You must be fully trained to operate this equipment. Know the capabilities and the limitations of the equipment. Learn the most efficient operating techniques.

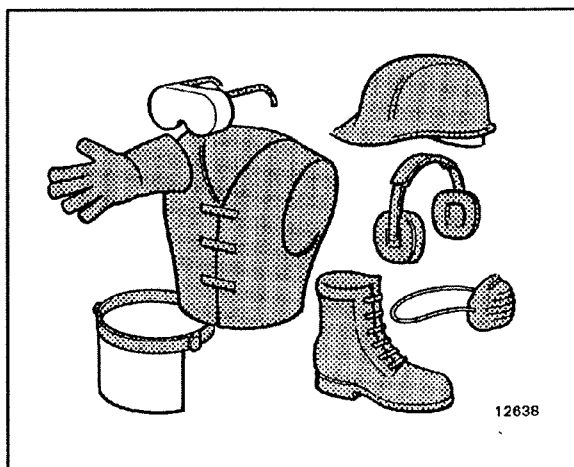
Do not let an untrained person operate the bar saw grapple head.

Use recommended protective clothing and safety devices such as gloves, safety boots, safety hat, goggles, and ear protection when necessary.

These safety rules highlight both general and specific measures the operator should be familiar with and adhere to. More specific measures are illustrated with pictograms which may also be attached to the saw head in locations pertinent to their respective message. Keep safety signs in good condition.

Repair or replace damaged signs.

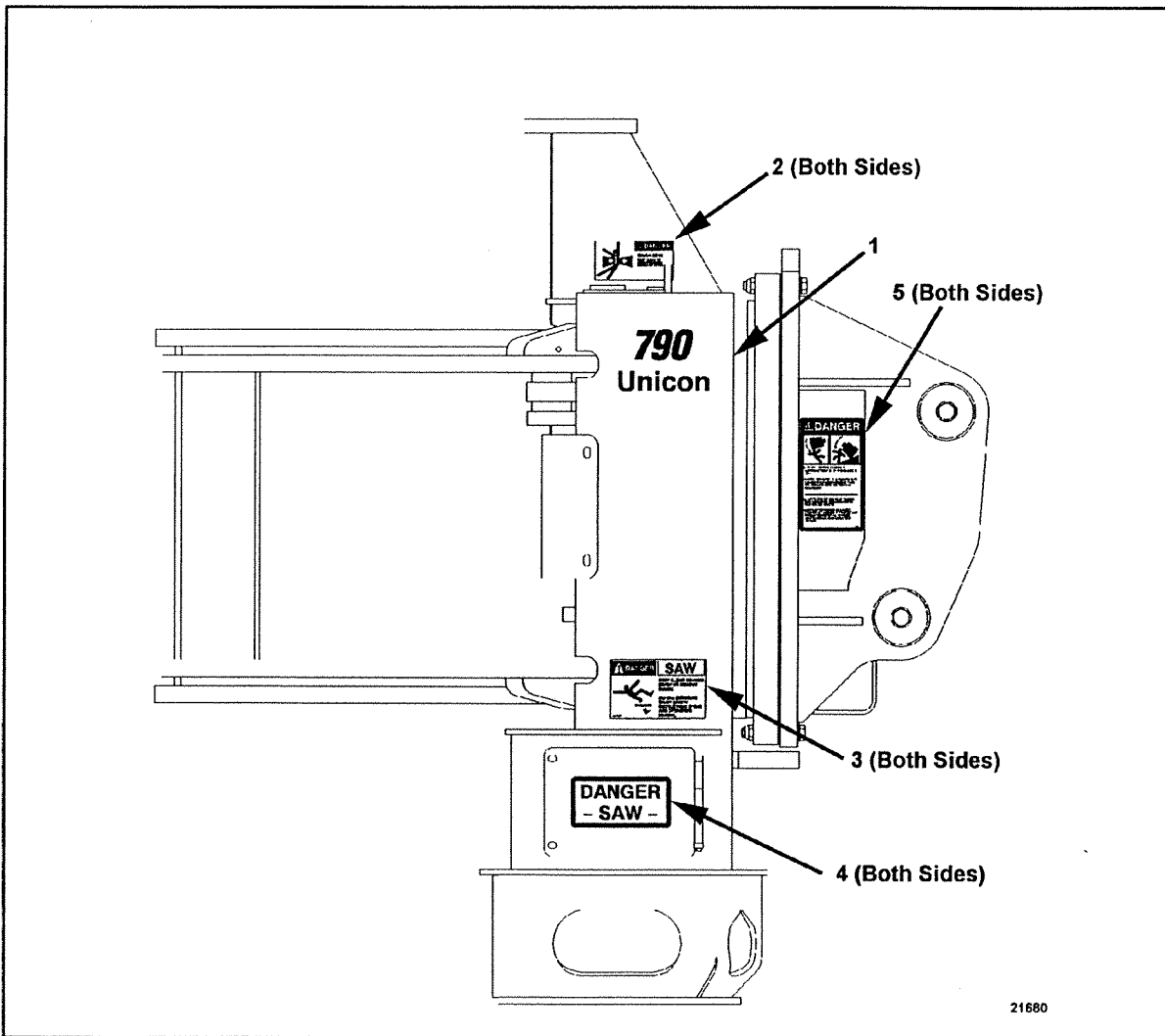
WHEN IT COMES TO SAFETY, NOTHING WILL EVER REPLACE A CAREFUL OPERATOR.



4.2 Decal Application

4.2.1 790 Unicon[®] Bar Saw Grapple Head Decal Location

1. Serial Number Plate
2. Decal - Crush Zone
3. Decal - Danger Saw
4. Decal - Danger Saw
5. Decal - Wrist Warning



6.2 Maintenance Procedures

6.2.1 General

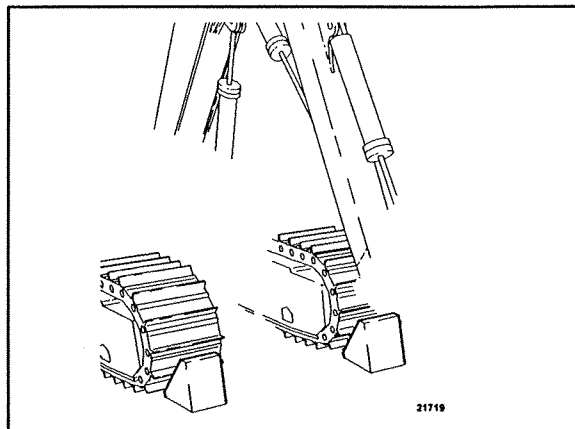


DANGER

Turn OFF the saw controls, turn the engine OFF, and switch OFF the master disconnect switch except when positioning the head for service or checking hydraulic pressures. Support the head. Never work under the head in a raised position. Wear work gloves and keep your fingers clear. Failure to follow these safety precautions can lead to risk of serious injury.

Prior to starting any maintenance procedure ensure the following:

1. Block the wheels or tracks to prevent accidental movement of carrier.



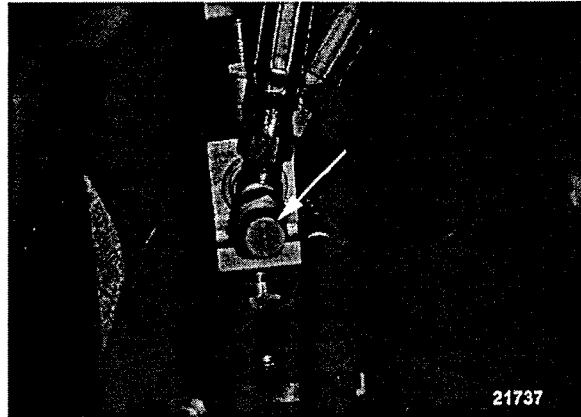
2. Close the clamp arms, tilt the head back 45° and lower the head to the ground. Shut the engine OFF.

6.2 Maintenance Procedures

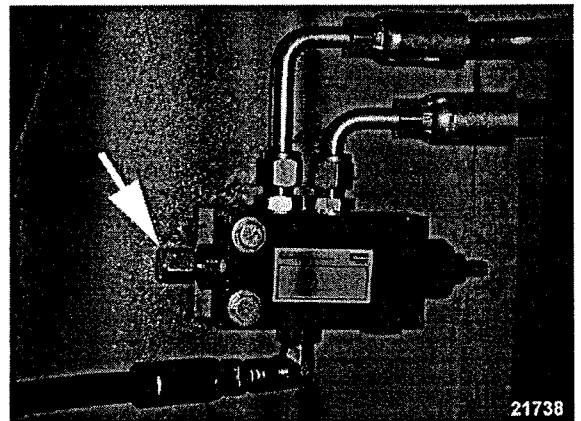
6.2.3 Maintenance - First 25 Hours

4. Check Hydraulic Pressure Setting

- D. Attach a 0-2000 psi gauge to the regulated (test) port of the sawfeed pressure regulating valve. Start the engine and move the throttle to full rpm. Reading should be 1200 psi (8.25 MPa). If this reading is not obtained, shut off engine. Contact dealer.



- E. Remove gauge from saw feed valve and move to regulating (test) port of tension pressure valve. Start the engine and move throttle to full rpm. Reading should be 800 psi (5.5 MPa). If this reading is not obtained, shut off engine. Remove gauge from test port. Contact dealer.

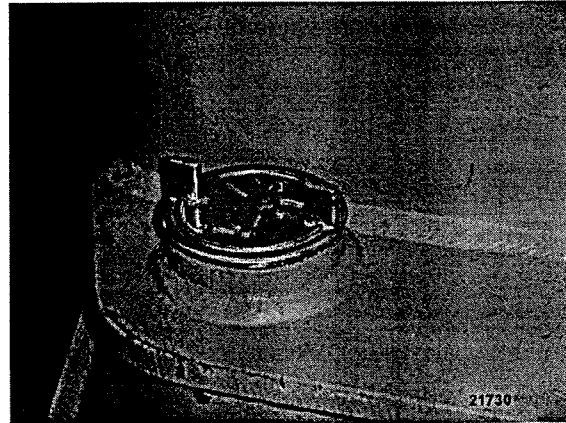


- F. Reconnect the pressure line to the saw motor at the manifold.

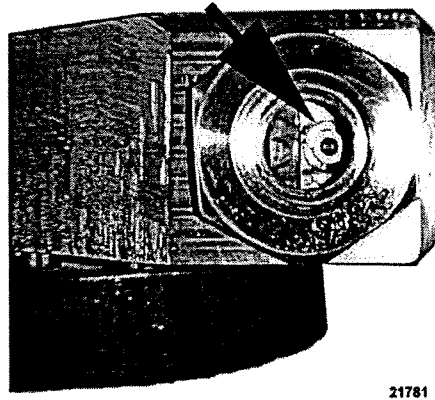
6.3 Unscheduled Maintenance

6.3.11 Prime Chain Lubrication Pump/Circuit

1. Shut off engine with bar saw fully retracted. Remove lubrication reservoir cap and ensure oil level is at maximum.



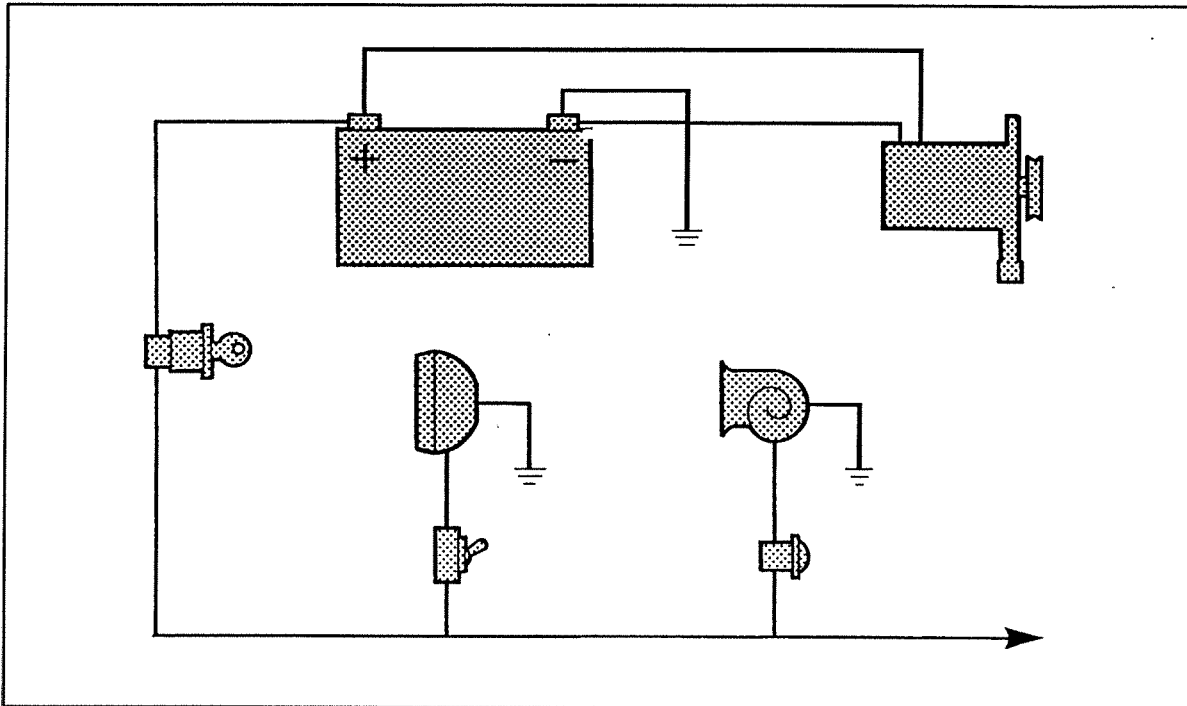
2. Remove the large plug (accessible through the side inspection cover on the LH side of the head) and remove the smaller plug behind it. Pull the bar out repeatedly until oil leaks out of the plug hole.



3. Replace the plugs and top up the reservoir with oil again.



8. Electrical System



8.1 Saw Home Sensor

8-2

CLICK HERE TO **DOWNLOAD** THE COMPLETE MANUAL

- Thank you very much for reading the preview of the manual.
- You can download the complete manual from: www.heydownloads.com by clicking the link below



- Please note: If there is no response to CLICKING the link, please download this PDF first and then click on it.

CLICK HERE TO **DOWNLOAD** THE COMPLETE MANUAL