

# **608S TRACKED HARVESTER**

S/N 10BA1267 –

## **OPERATOR'S MANUAL 608S TRACKED HARVESTER /762C HEAD OMF381267**

**CALIFORNIA  
Proposition 65 Warning**

**Diesel engine exhaust and some of its constituents are known to the State of California to cause cancer, birth defects and other reproductive harm.**



**WARNING**

**The engine exhaust from this product contains chemicals known to the State of California to cause cancer, birth defects or other reproductive harm.**

**Worldwide Construction and Forestry Division**

English

CLICK HERE TO **DOWNLOAD** THE COMPLETE MANUAL

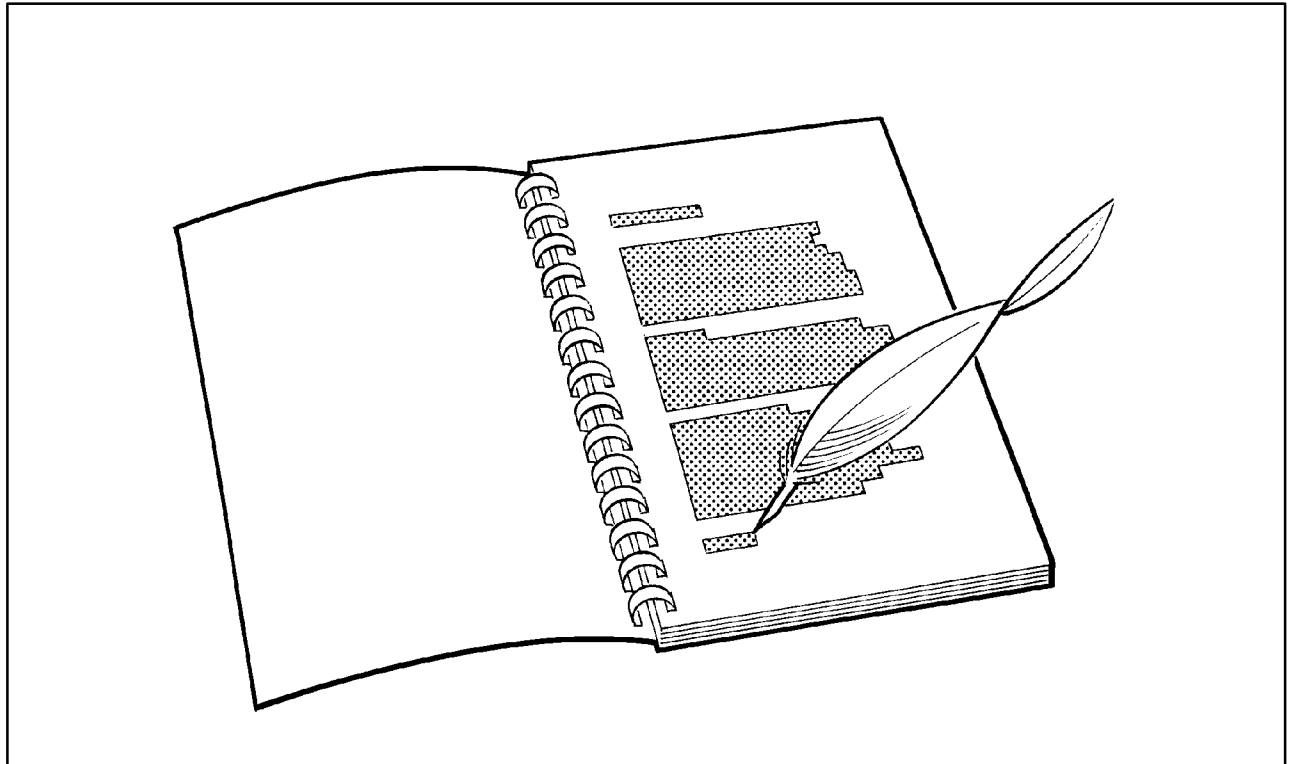
- Thank you very much for reading the preview of the manual.
- You can download the complete manual from: [www.heydownloads.com](http://www.heydownloads.com) by clicking the link below



- Please note: If there is no response to CLICKING the link, please download this PDF first and then click on it.

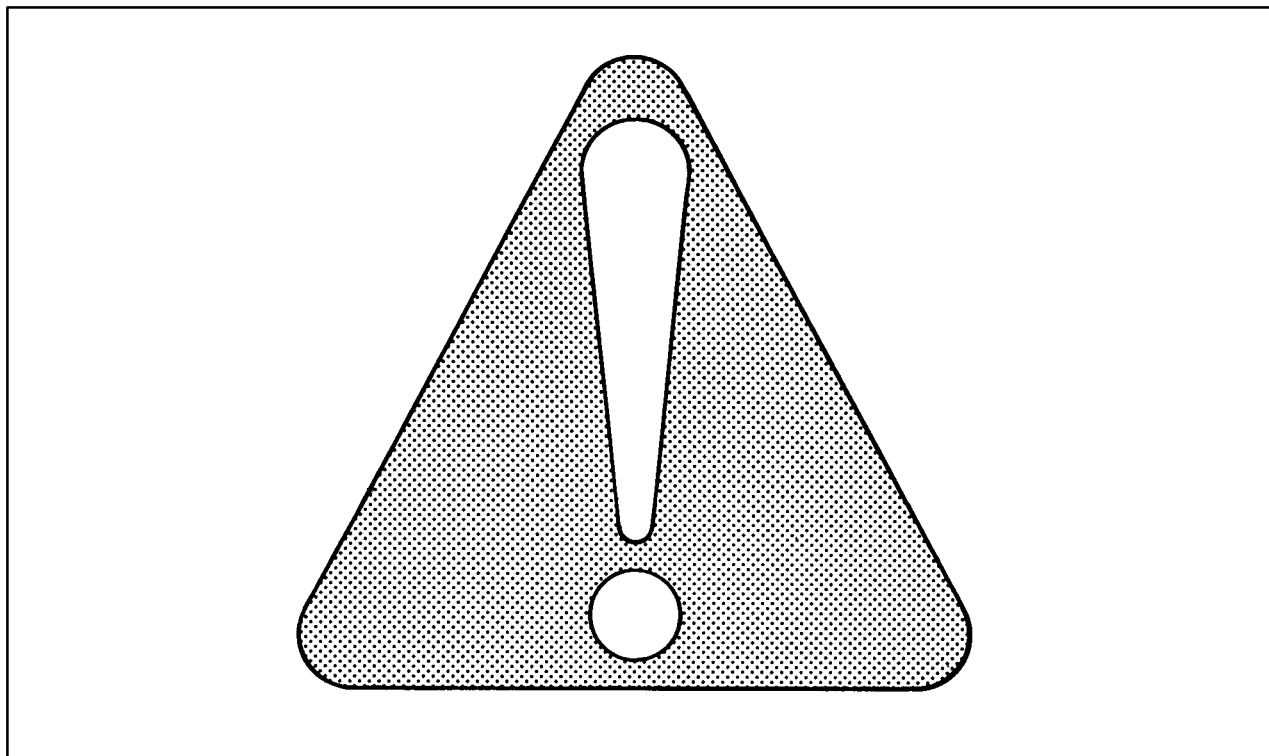
CLICK HERE TO **DOWNLOAD** THE COMPLETE MANUAL

# 1. Introduction



<u>1.1 Foreword</u>	<u>1-2</u>
<u>1.2 Model and Serial Number Record</u>	<u>1-3</u>
<u>1.3 Modifications or Repairs to Roll-over Protective Structures (ROPS)</u>	<u>1-4</u>
<u>1.4 Non-approved Field Product Changes</u>	<u>1-6</u>
<u>1.5 Sound Level</u>	<u>1-7</u>

# 3. Safety Rules



<u>3.1 General</u>	<u>3-2</u>
<u>3.2 Safety Symbol</u>	<u>3-2</u>
<u>3.3 Understanding Signal Words</u>	<u>3-2</u>
<u>3.4 General Safety Precautions</u>	<u>3-3</u>
<u>3.5 Operating Safety Precautions</u>	<u>3-6</u>
<u>3.6 Servicing Safety Precautions</u>	<u>3-10</u>
<u>3.7 Transporting on Public Roads</u>	<u>3-17</u>
<u>3.8 Fire Prevention</u>	<u>3-18</u>
<u>3.9 What to Do if the Machine Catches Fire</u>	<u>3-19</u>

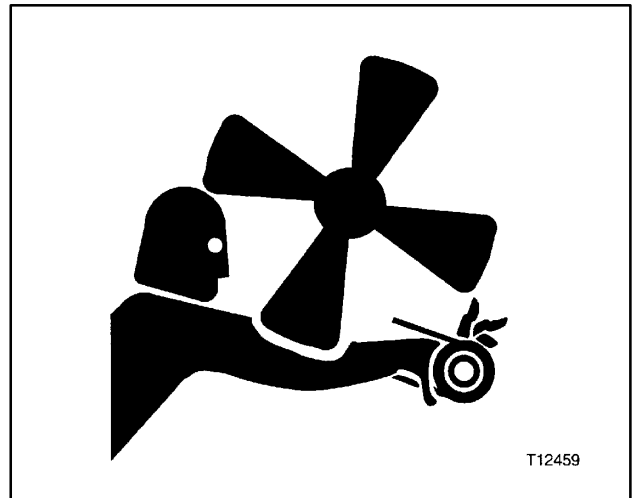
## 3.6 Servicing Safety Precautions



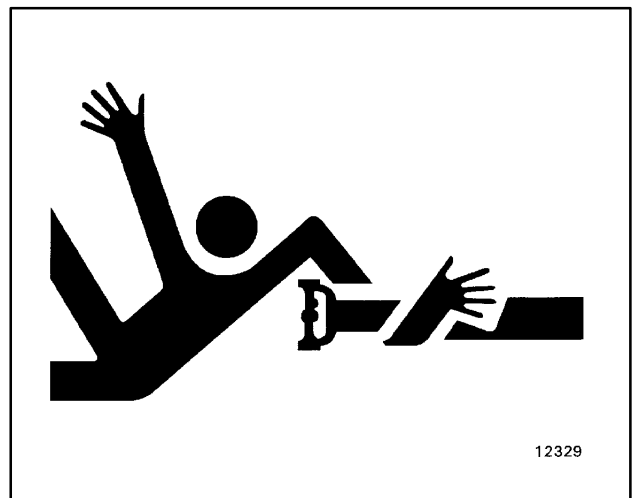
**WARNING**

Keep clear of all rotating components. Wrapping, entanglement or contact may result in serious injury or death.

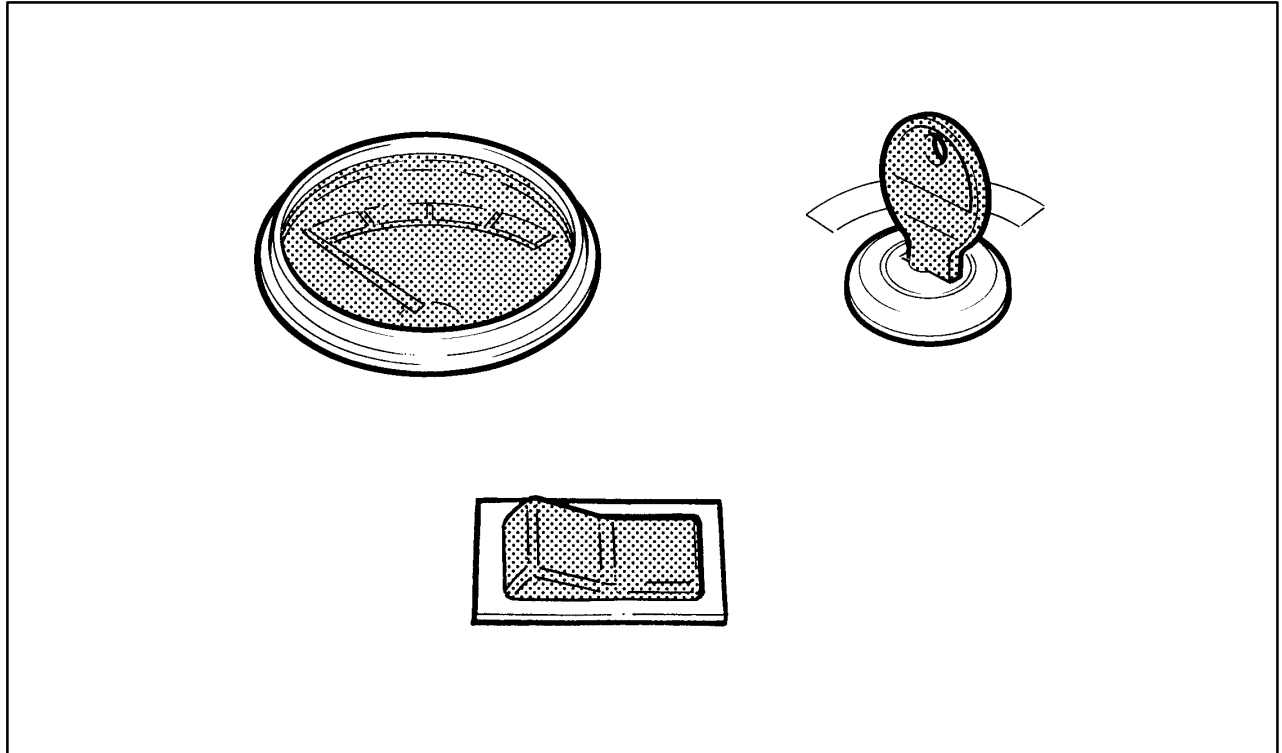
Keep clear of exposed fans and drive belts.



Never wear jewelry, watch, or necktie around any machinery. Keep your hands, feet, head, and loose clothing away from drive shafts and other power driven parts.



# 4. Description



4.1 Introduction	4-2
4.2 Equipment Nomenclature	4-2
4.3 Controls and Instrumentation	4-4

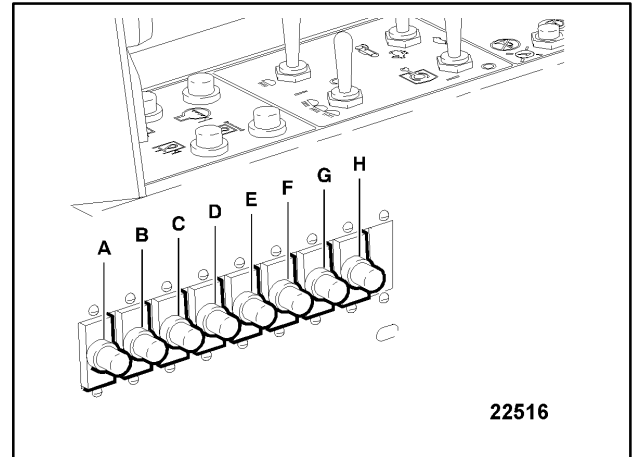
## 4.3 Controls and Instrumentation

### 4.3.3 Switches and Gauges

#### Circuit Breakers

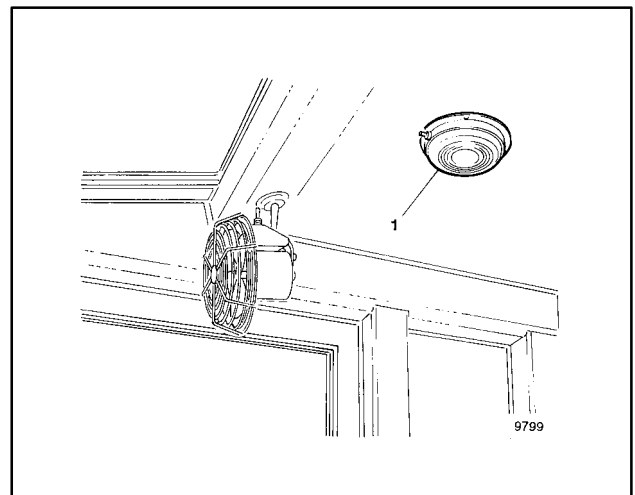
These circuit breakers (15 amp) are used to protect the individual electrical circuits. Press to reset. From left to right, the functions are:

- A. Solenoid valves
- B. Air Conditioner/Heater
- C. Gauges
- D. Starter Relay
- E. Front Lights (20 amp)
- F. Enclosure Door Lights
- G. Dome Light/Defroster Fan
- H. Spare (24V)



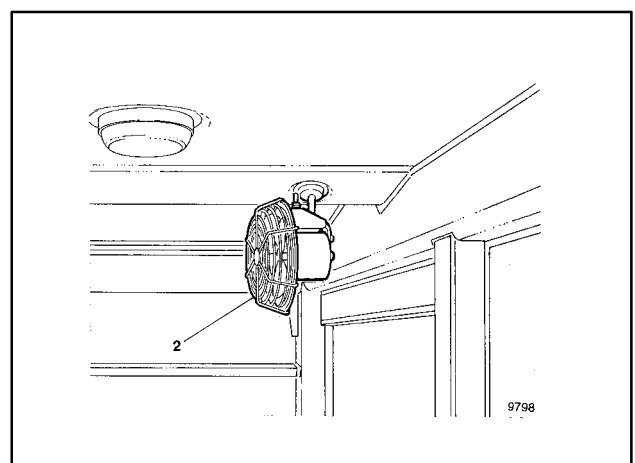
#### Dome Light

The interior dome light (1) is controlled by a switch located on the side of the light housing.



#### Defroster Fan

Increased air circulation and windshield defrosting is provided by the defroster fan (2). It is switched ON or OFF by the switch located on the fan motor housing.

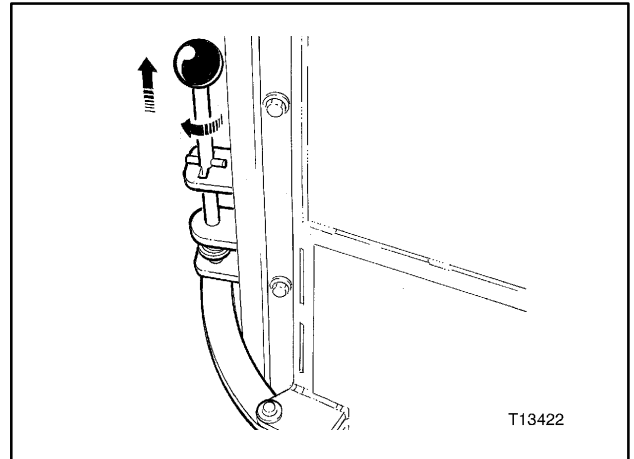


## 4.3 Controls and Instrumentation

### 4.3.5 Safety Items

#### Cab Door Jamb Lever

This lever is a locking mechanism used to lock the cab door in the open position. With the cab door fully opened turn the lever 1/4 turn to engage the lock. To close the door pull the lever up and rotate the lever 1/4 turn.




### 4.3.6 Engine Compartment Controls

#### Battery Disconnect Key Switch

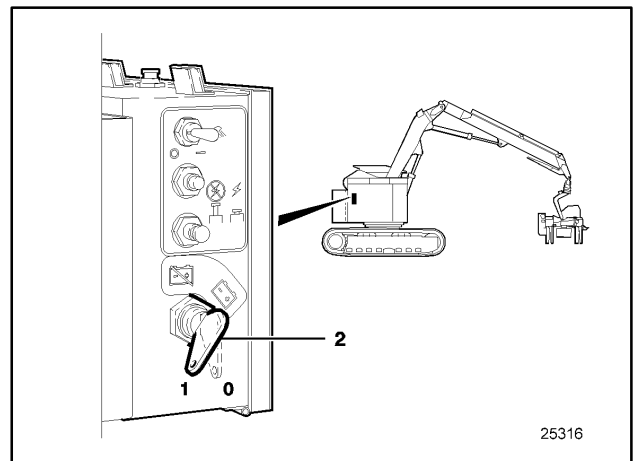
This two position key switch (2) connects/disconnects all electrical circuits on the machine except the service lights.

- 1 = ON
- 0 = OFF



**WARNING**

Before leaving the machine unattended, always lower the attachment to the ground and turn the engine OFF. Switch the battery disconnect switch OFF. Failure to do this can lead to risk of personal injury.



#### Circuit Breaker (Main System)

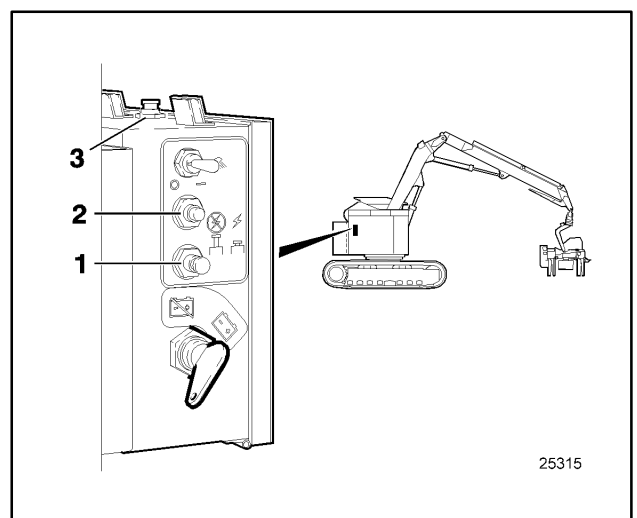
This circuit breaker (1) protects all of the systems electrical circuits. Press to reset.

#### Circuit Breaker (Service Lights)

This circuit breaker (2) protects the service light circuits. Press to reset.

#### Circuit Breaker (Enclosure Door Pump)

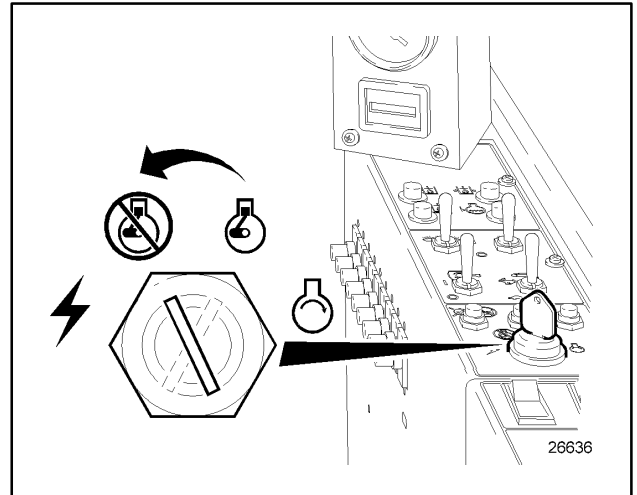
This circuit breaker (3) protects the engine enclosure door pump circuit. Press to reset.



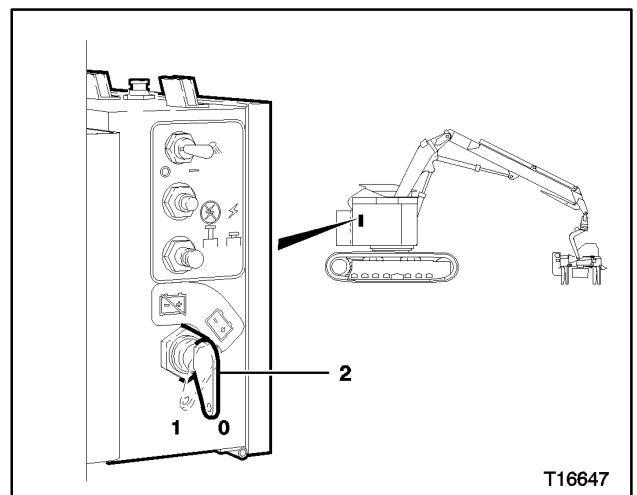
## 5.1 Driving The Harvester

### 5.1.4 Stopping Procedure

6. Turn the ignition key switch OFF to stop the engine.



7. Turn the battery disconnect switch (2) OFF (position 0) if the machine is to be parked for more than a few hours.



CLICK HERE TO **DOWNLOAD** THE COMPLETE MANUAL

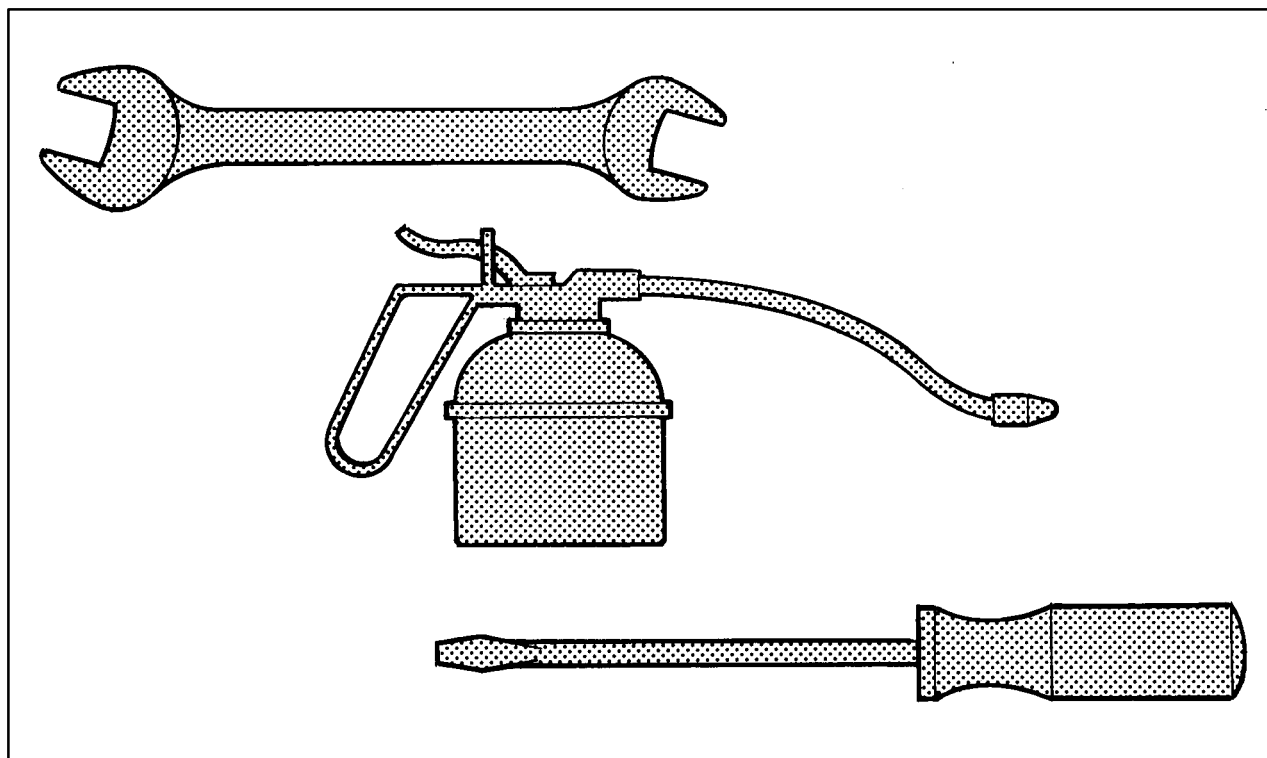
- Thank you very much for reading the preview of the manual.
- You can download the complete manual from: [www.heydownloads.com](http://www.heydownloads.com) by clicking the link below



- Please note: If there is no response to CLICKING the link, please download this PDF first and then click on it.

CLICK HERE TO **DOWNLOAD** THE COMPLETE MANUAL

# 6. Lubrication and Maintenance



6.1 Maintenance Schedule	6-2
6.2 Maintenance Procedures	6-6
6.3 Fluids and Lubricants	6-33
6.4 Recommended Hydraulic System Fluids	6-36

## **6.2 Maintenance Procedures**

### **6.2.1 Maintenance - 8 Hours**

#### **11. Lubricate Harvesting Attachment Chain Saw**

See Attachment Operator and Maintenance Manual for details.

- A. Check saw chain and bar for straightness.
- B. Check chain tension.
- C. Check bolt torque.

#### **12. Check Chain Saw Lubrication Oil**

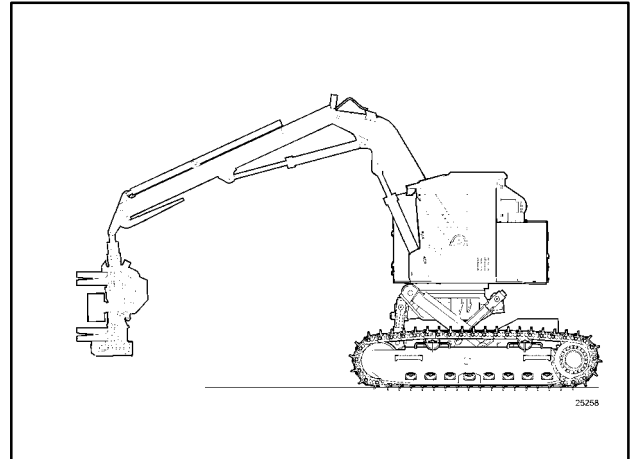
See Attachment Operator and Maintenance Manual for details.

- A. Check tank fluid levels.
- B. Check for oil leaks.

#### **13. Lubricate Harvesting Attachment**

See Attachment Operator and Maintenance manual for details.

- A. Rotator link.
- B. Delimiting arms cylinder mountings and bearings.
- C. Tilt arms cylinder mounting and bearings.
- D. Feed roller cylinder mounting and bearings.
- E. Feed roller mounting on attachment.
- F. Saw cylinder mounting and bearings.
- G. Measuring wheel mounting and bearings.

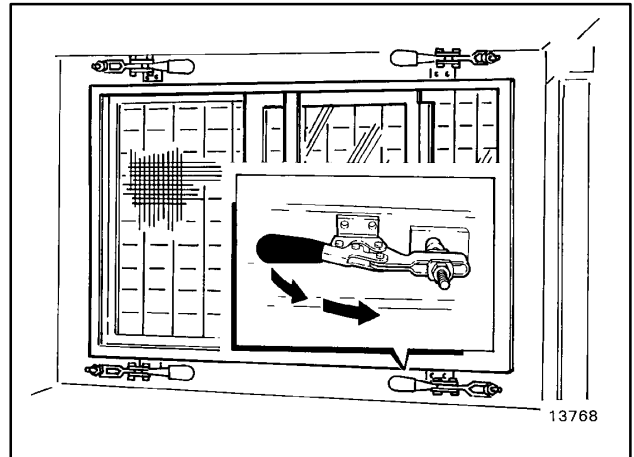


## 6.2 Maintenance Procedures

### 6.2.2 Maintenance - 125 Hours

#### 41. Remove Escape Hatch

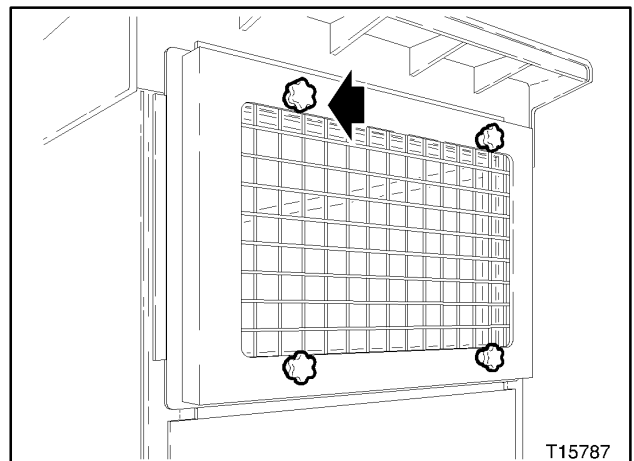
Remove the rear window escape hatch from the inside using the overcenter latches and lift out the escape hatch for cleaning and lubrication.



Remove the four outer knobs and separate the window from the frame.

Clean the window and frame surfaces and lubricate with Vaseline. Clean and lubricate the overcenter latches and the threads for the knobs.

Assemble the window and the frame using the four knobs and reinstall the escape hatch using the overcenter latches.



#### 42. Perform Overall Visual Inspection

Check for frayed electrical wiring and hydraulic hoses. Check for cracks in booms, felling head, turntable, and lower frame. Check for unusual signs of wear or damage to other components. Contact dealer if any of these conditions are noted.

#### 43. Perform 8 Hour Interval Maintenance Procedures

Carry out all maintenance procedures as shown for 8 hour interval. (Items 1. through 21.)

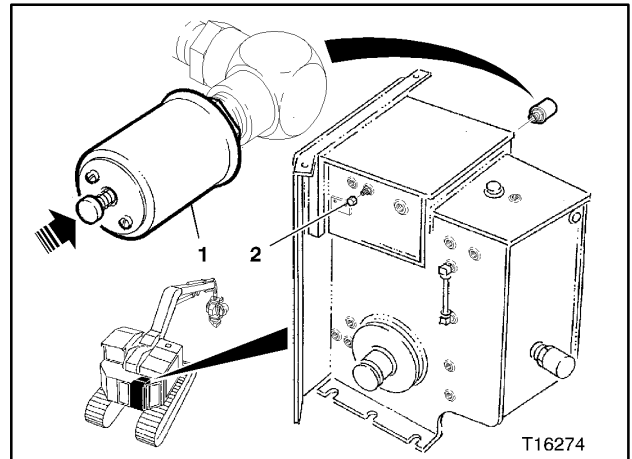
## 6.2 Maintenance Procedures

### 6.2.8 Unscheduled Maintenance

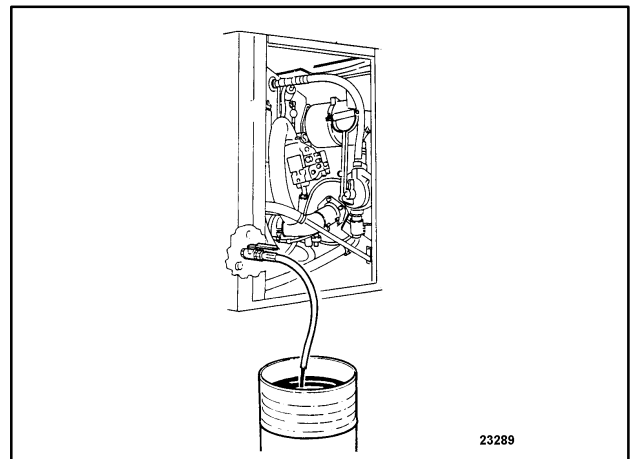
#### 60. Drain Hydraulic Fluid

Due to seasonal changes, periodic hydraulic fluid change may be required.

Press breather button (arrow) (1) in to release the air pressure.

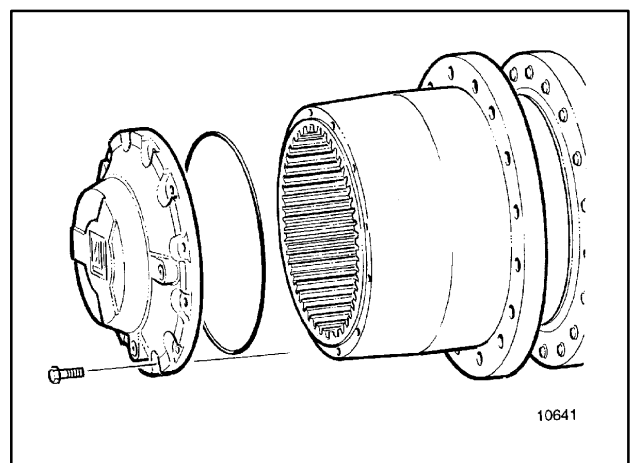


Remove the end cap from the hydraulic tank drain valve and attach a suitable drain hose (with a #16 JIC female fitting) to the end of the drain valve. Place the drain hose in a suitable container. Open the drain valve and drain the hydraulic fluid into the container. Refer to section 6.4 Recommended Hydraulic System Fluids for recommended replacement fluid.

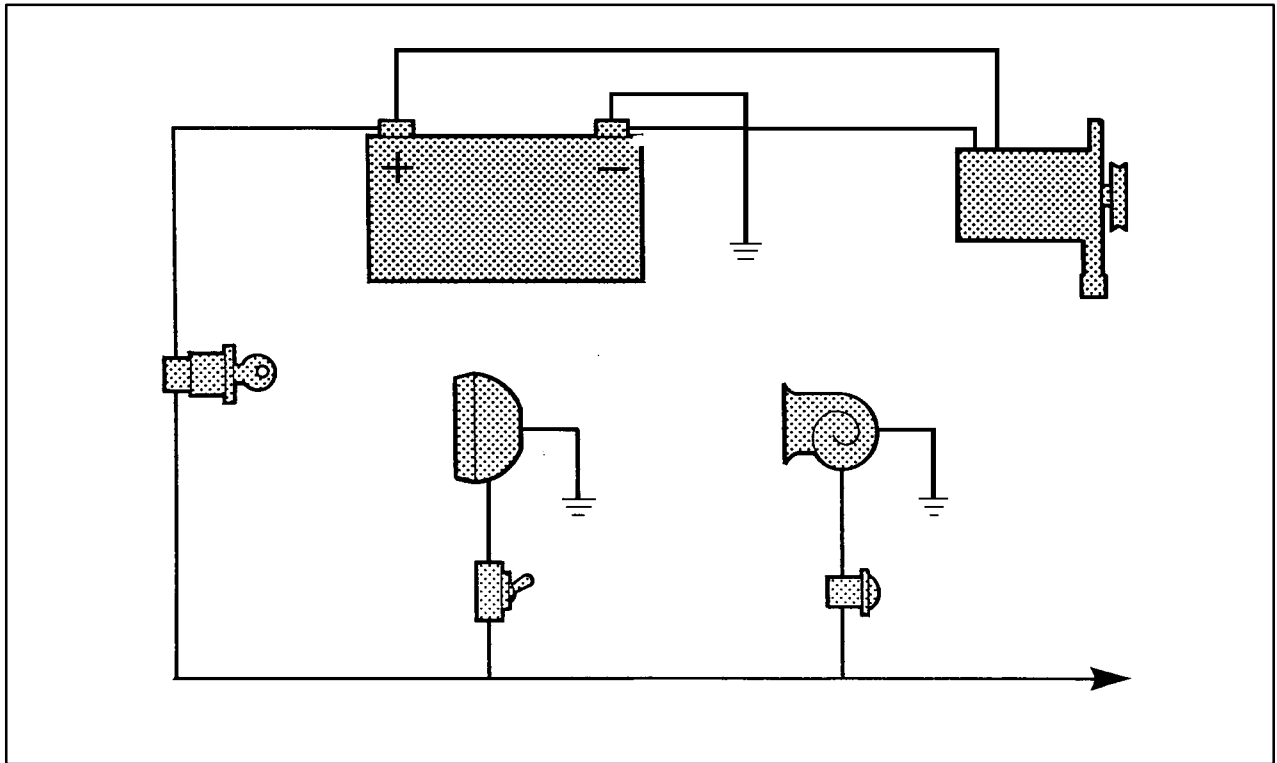


#### 61. Clean Track Drive Planetaries

For machines that are subject to frequent travel, periodically remove the front covers and thoroughly wash the planetary gear sets and gear housing with clean mineral spirit or diesel fuel. Replace the o-ring prior to replacement of front covers.

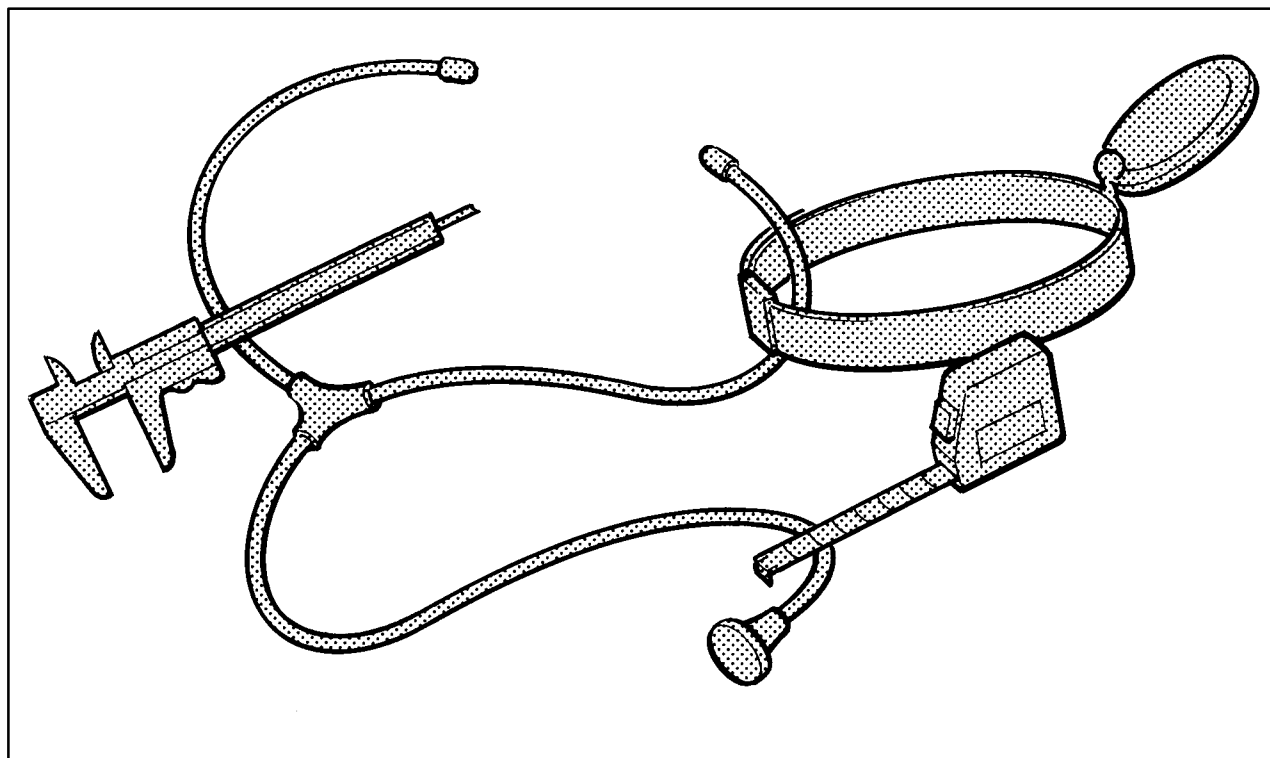


# 8. Electrical System



8.1 Electrical Schematics - 608S/762C/Timbermatic 10

# 9. Troubleshooting



9.1 General	9-2
9.2 Engine Start	9-3
9.3 Pilot Pressure Circuit	9-4
9.4 Travel Brakes	9-4
9.5 Oil Cooler	9-5
9.6 Swing	9-6
9.7 Hoist	9-7
9.8 Stick	9-7
9.9 Telescoping Boom	9-8
9.10 Engine Enclosure Door	9-8

## 10.2 Specifications

### **Engine:**

Model .....	Cummins 6CT8.3 (Standard) or 6CTA8.3 (Optional) Elite
No. of cylinders .....	6
Displacement .....	505 cu.in. (8.3 litres)
Bore/Stroke .....	4.49 x 5.32 (114 x 135 mm)
Rated HP .....	205 HP @ 2000 rpm (6CT8.3) 230 HP @ 2000 rpm (6CTA8.3)
Rated Maximum Torque .....	636 lb ft (862 Nm) @ 1500 rpm
High Idle .....	2160 ± 50 rpm
Low Idle .....	900 rpm (6CT8.3) 950 rpm (6CTA8.3)

### **Starter:**

Model .....	42 MT Type 400
Voltage .....	24 Volt Negative Ground

### **Radiator:**

Core Type .....	5.25 Fins per inch 6 Rows of Tubes Copper Fins with Steel Edge Insert
System Pressure .....	15 psi (103 kPa)
System Capacity .....	12.7 U.S. gal (48 litres) including radiator

### **Fan:**

Type .....	6 Blade (Suction)
Diameter .....	30 in. (762 mm)
Drive Ratio .....	1.1:1

### **Air Cleaner:**

Type .....	Dry, Two Stage
Size .....	13 in. O.D. (330 mm)

### **Fuel Tank:**

Capacity .....	150 U.S. gal (570 litres)
----------------	---------------------------

### **Hydraulic Tank:**

Capacity .....	46.9 U.S. gal (177.5 litres)
----------------	------------------------------

## 11.3 Weights of Commercially Important Woods

Species	kg/m <sup>3</sup>	lb/ft <sup>3</sup>	Species	kg/m <sup>3</sup>	lb/ft <sup>3</sup>
Alder, Red	737	46	Magnolia, Cucumber	785	49
Ash, White	769	48	Maple, Big Leaf	753	47
Aspen, Quaking	689	43	Black	865	54
Bald cypress	817	51	Red	801	50
Basswood, American	673	42	Silver	721	45
Beech, American	865	54	Sugar	897	56
Birch, Paper	801	50	Oak, Black	1009	63
Yellow	929	58	Chestnut	977	61
Cedar, Alaska	577	36	Red	1009	63
Incense	721	45	Red, Swamp	1073	67
Northern White	449	28	Swamp Chestnut	1041	65
Port-Orford	897	36	White	993	62
Western Red	433	57	White, Swamp	1105	69
Cherry, Black	721	45	Pine, Jack	801	50
Cottonwood, Eastern	785	49	Loblolly	993	62
Douglas Fir, Coast	881	55	Lodgepole	625	39
Inland North	577	36	Long Leaf	993	62
Elm, American	865	54	Norway, Red	673	42
Fir, Alpine	449	28	Short Leaf	993	62
Balsam	721	45	Slash	993	62
Nobel	481	30	Sugar	817	51
Red	769	48	Western Yellow	721	45
Silver	577	36	White-Western	561	35
White	753	47	White - Eastern	577	36
Gum, Black	721	45	Poplar, Yellow	609	38
Blue	1121	70	Redwood	801	50
Red	801	50	Spruce, Black	513	32
Tupelo	897	56	Engleman	625	39
Hemlock, Eastern	801	50	Red	545	34
Western	657	41	Sitka	529	33
Hickory, Pecan	993	62	White	545	34
True	1009	63	Sweetgum	801	50
Larch, Western	769	48	Sycamore, American	833	52
Locust, Black	929	58	Tamarack	753	47
			Walnut, Black	929	58
			Willow, Black	801	50

Notes!

1. The values shown in this chart are green weights.
2. The chart is to be used as a reference only. If a weight table exists for the region you are in, use it in place of this one.

CLICK HERE TO **DOWNLOAD** THE COMPLETE MANUAL

- Thank you very much for reading the preview of the manual.
- You can download the complete manual from: [www.heydownloads.com](http://www.heydownloads.com) by clicking the link below



- Please note: If there is no response to CLICKING the link, please download this PDF first and then click on it.

CLICK HERE TO **DOWNLOAD** THE COMPLETE MANUAL