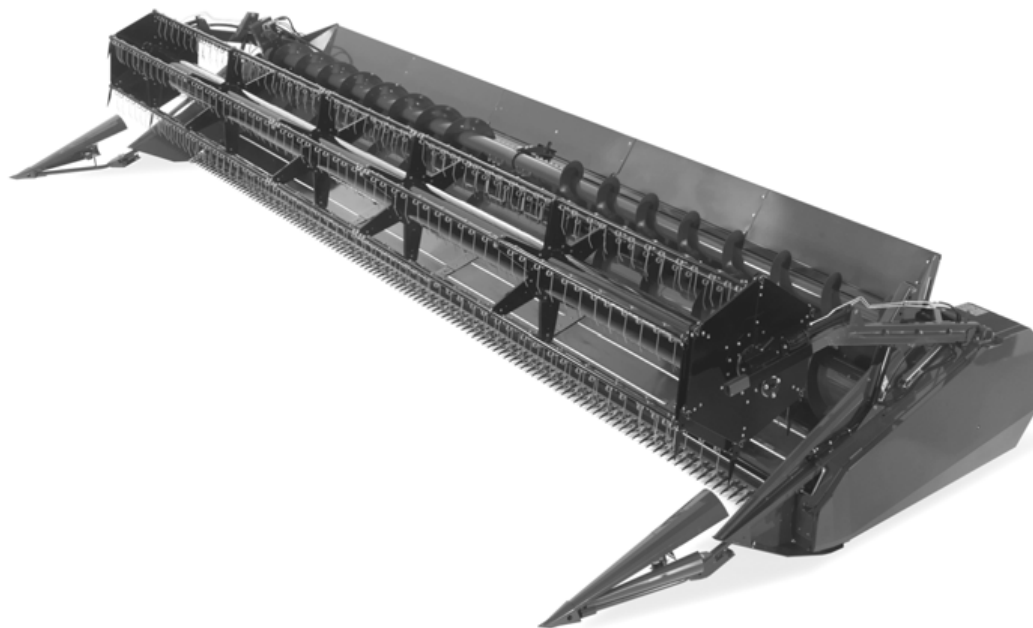

OPERATOR'S MANUAL

FENDT

PowerFlow 18-30



CLICK HERE TO **DOWNLOAD** THE COMPLETE MANUAL

- Thank you very much for reading the preview of the manual.
- You can download the complete manual from: www.heydownloads.com by clicking the link below



- Please note: If there is no response to CLICKING the link, please download this PDF first and then click on it.

CLICK HERE TO **DOWNLOAD** THE COMPLETE MANUAL

1.1.5 Product identification

T010009

Always quote the table serial number in any communication to your Distributor/Dealer.

Keep this manual safely for convenient reference.

| |
|----------------------|
| Table serial number: |
|----------------------|

| |
|---------------|
| Owner's name: |
| Address: |

| |
|--------------------|
| Installation date: |
|--------------------|

| |
|----------------|
| Dealer's name: |
| Address: |

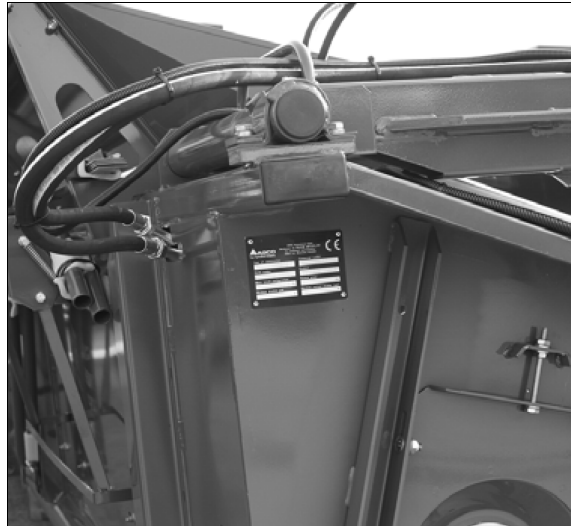


Fig. 3.

I015481

1.1.6 Sectional drawing and parts identification

T010014

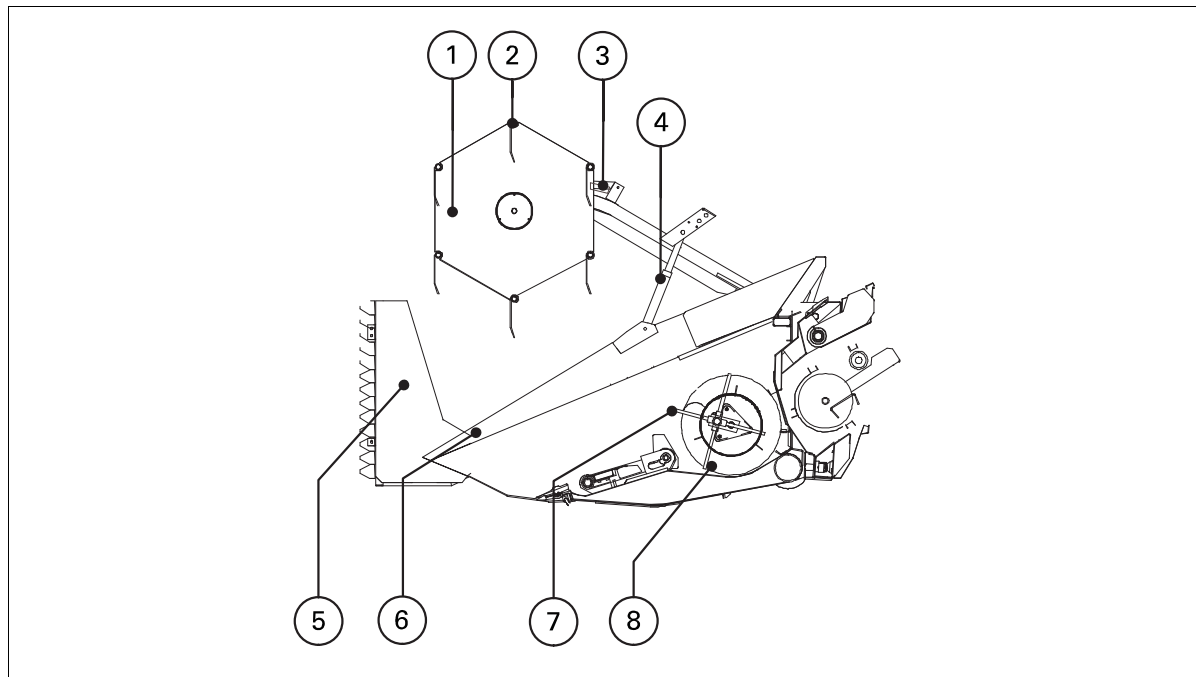


Fig. 4.

I024894

| Table parts |
|------------------------------------|
| 1. Reel |
| 2. Reel tine bars |
| 3. Hydraulic ram for reel fore/aft |
| 4. Hydraulic ram for reel up/down |
| 5. Vertical knife |

2. Operation and Adjustment

| | | |
|-------------|--|----|
| 2.1 | Safety precautions | 23 |
| 2.1.1 | Safety Precautions, Cutting Tables | 23 |
| 2.2 | Attachment/Removal of Table | 24 |
| 2.2.1 | General | 24 |
| 2.2.2 | Attachment of Table, Standard and Auto Level | 24 |
| 2.2.3 | Removal of Table | 26 |
| 2.2.4 | Supports | 27 |
| 2.3 | Table trailer | 28 |
| 2.3.1 | General | 28 |
| 2.3.2 | Attachment of Combine and Trailer | 28 |
| 2.3.3 | Table Trailer Brakes | 29 |
| 2.4 | Auto Level Table | 30 |
| 2.4.1 | Principle of Auto Level Table | 30 |
| 2.5 | Potentiometer for automatic cutting height control | 31 |
| 2.5.1 | Adjustment of potentiometer for automatic cutting height control | 31 |
| 2.6 | Reel | 33 |
| 2.6.1 | Safety stop for reel | 33 |
| 2.6.2 | Reel Adjustment Up/Down, Fore/Aft | 34 |
| 2.6.3 | Bleeding | 35 |
| 2.6.4 | Reel Rotation | 35 |
| 2.6.5 | Reel tine bars | 36 |
| 2.6.6 | Adjustment of the Reel in the Table | 36 |
| 2.7 | Knife | 37 |
| 2.7.1 | Knife and knife drive | 37 |
| 2.8 | Feeding | 38 |
| 2.8.1 | Table auger | 38 |
| 2.8.2 | Cut-off strip and distribution strip | 39 |
| 2.8.3 | Replacement of Feathering Fingers | 40 |
| 2.8.4 | Auger Flight Extensions, 20-22-25-30' Tables | 40 |
| 2.8.5 | Reversing | 40 |
| 2.9 | Transmission | 41 |
| 2.9.1 | General | 41 |
| 2.9.2 | PowerFlow table, knife drive and table auger | 41 |
| 2.9.3 | Slip Clutch for Table Auger | 42 |
| 2.9.4 | Transmission diagram, left-hand side | 42 |
| 2.9.5 | Transmission diagram, right-hand side | 43 |
| 2.10 | PowerFlow belts | 44 |
| 2.10.1 | PowerFlow belts | 44 |
| 2.10.2 | Inspection and Start-Up of Powerflow Belts | 44 |
| 2.10.3 | Adjustment of belts | 45 |
| 2.10.4 | Cleaning | 45 |
| 2.10.5 | Table Bottom | 46 |
| 2.11 | Scrapers | 47 |
| 2.11.1 | Scrapers, front | 47 |
| 2.11.2 | Scrapers, Rear, and Adjustment of Bearing Housings | 47 |
| 2.12 | Crop lifters | 48 |
| 2.12.1 | Using Crop Lifters | 48 |
| 2.13 | Vertical Knives, Rape Auger and Straw Dividers | 49 |
| 2.13.1 | Vertical knife | 49 |
| 2.13.2 | Mounting of Vertical Knife | 49 |
| 2.13.3 | Rape Auger | 50 |
| 2.13.4 | Folding torpedo dividers and bow dividers | 50 |
| 2.13.5 | Mounting of Straw Dividers | 51 |

2.5 Potentiometer for automatic cutting height control

2.5.1 Adjustment of potentiometer for automatic cutting height control

T010089

2

(fig. 1, fig. 2 and fig. 3)

Proceed as follows to adjust the potentiometer:

1. Lift the table so that the ground sensors (1) are right down in bottom position.
2. Position the safety stops on the table lifting rams and switch off the engine.
3. Dismount the protection plates (2) on both sides.
4. Adjust the linkage (3) to 168 mm.
5. Disconnect the cable (4) and connect an ohm-meter to pins 1 and 2.
6. Loosen the nut (5) and turn the potentiometer (6) until the resistance is 500 ohm \pm 50, then re-tighten the nut.

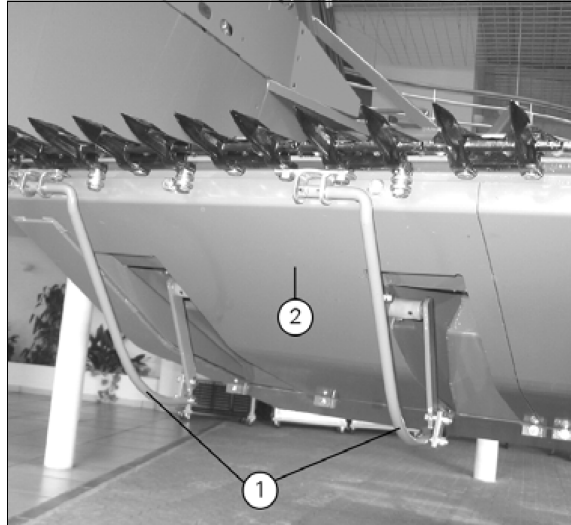


Fig. 1.

1025001

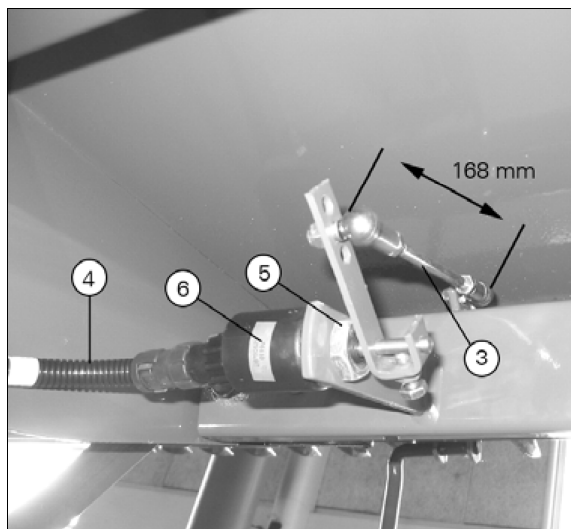


Fig. 2.

1025000

2.9 Transmission

2.9.1 General

T005730

(fig. 1)

Belt and chain tension is maintained with fixed or spring-loaded tension pulleys.

Fixed tension pulleys are adjusted by slackening the nut (1) and tightening the belt with the nut (2).

Spring-loaded tension pulleys are adjusted by slackening the nut (3) and compressing the spring (4) to measure, with the nut (5). Apply the gauge (6) where the spring length must be max. 105 and min. 100 mm.

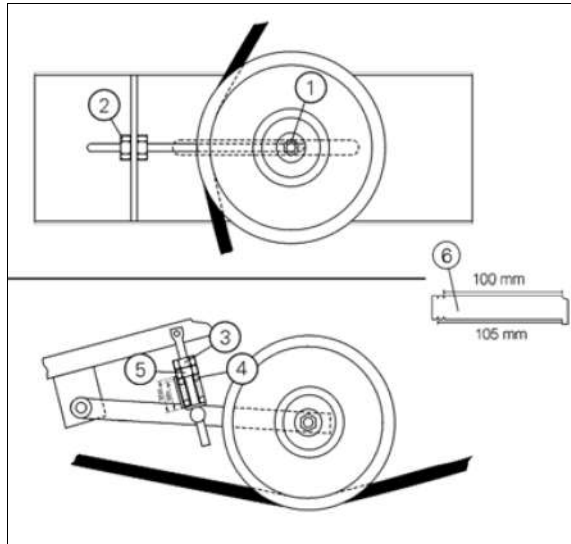


Fig. 1.

I016875

2

2.9.2 PowerFlow table, knife drive and table auger

T005685

(fig. 2)

The table is driven from the transmission shaft between main crop elevator and table by the belt (14) which is tensioned by the tension pulley (13).

The knife is driven by the V-belt (1) which is tightened with the tension pulley (2). The table auger and the PowerFlow belts are driven by the chain (3). The chain tension is adjusted with the tension pulley (4). From the table auger sprocket (5) the PowerFlow belts are driven by the chain (6).

The chain tension is adjusted at the bracket (7). The sprocket (5) has a built-in safety clutch which protects the table auger against stone damage.

Auger speed reduction

To reduce the speed of belts and auger for harvesting, e.g. oilseed rape, peas, etc. dismount the two shims (9). Move the sprocket (10) to the right against the flange (11), mount the two shims (9) on the outside of the flange (11) and place the chain on the sprocket (12). Re-adjust chain drive and guide. The chain guide (8) not being adjusted against the chain may cause vibrations in table and machine.

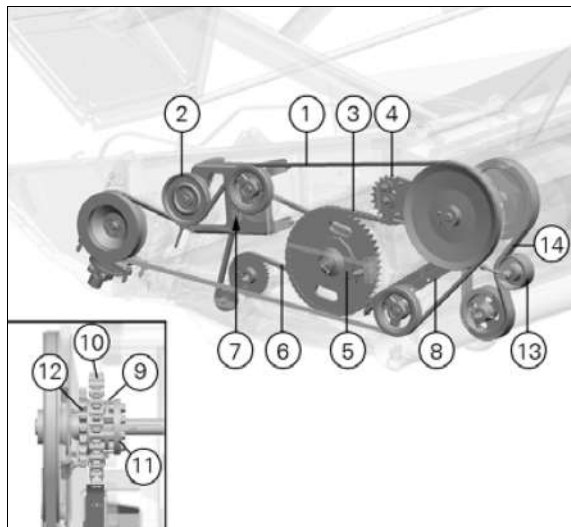


Fig. 2.

I016864

2.13.5 Mounting of Straw Dividers

T006153

(fig. 5)

Fit the support (1) of the torpedo dividers or the straw divider bow under the bracket (2). The pin underneath the bracket (2) must secure the support (1) of the straw divider.

When fitting the straw dividers for the first time, tighten the bracket (2) slightly with the nut (4).

Subsequent mounting/dismounting can be done by turning the bracket (2) with the lever (3) without adjusting the nut (4).

The lever (3) in full-drawn line shows locked position. The lever (3) in broken line is opened position.

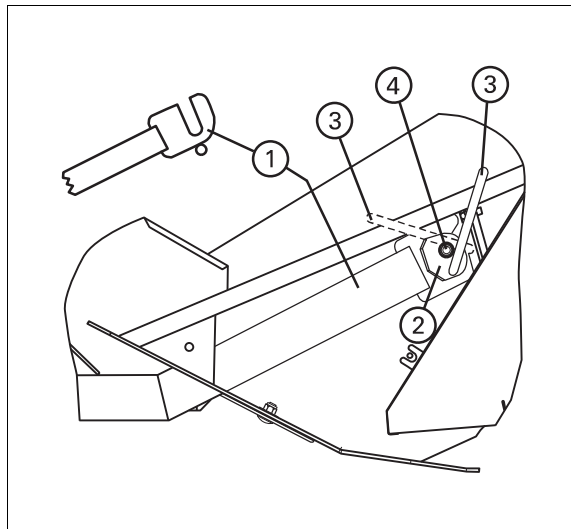


Fig. 5.

I016849

2

2.13.6 Adjustment of Torpedo Divider

T006152

(fig. 6)

Adjust the torpedo divider (1) in relation to the reel using the bracket (2).

The extension wing (3) is adjusted out/in by moving the lever (4) and up/down by turning the toothed disk (5).

The height of the torpedo divider above the ground is adjusted with the bracket (6).

NOTE: The hinged torpedos can be folded in front of the table (7).

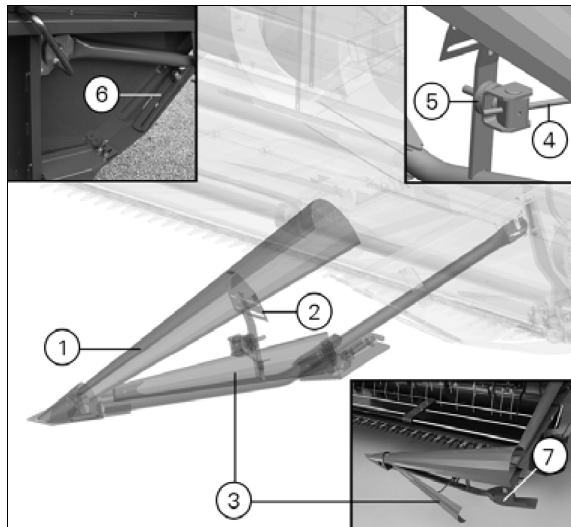


Fig. 6.

I016862

Reel (71)

Qty: 1

Colour: Blue

Interval: 50 Hours

Lubricant: Grease

Notes: Applies to 30' PowerFlow tables only



Fig. 10.

I019419

3

3.1.4 Lubrication points, right-hand side

T010066

NOTE: The numbers in brackets refer to the numbers indicated in the lubrication chart, see §3.1.1, page 57, and on the illustrations, see §3.1.2, page 57.

Bearings for reel suspension (52)

Qty: 1

Colour: Yellow

Interval: 100 Hours

Lubricant: Grease



Fig. 11.

I019367

CLICK HERE TO **DOWNLOAD** THE COMPLETE MANUAL

- Thank you very much for reading the preview of the manual.
- You can download the complete manual from: www.heydownloads.com by clicking the link below



- Please note: If there is no response to CLICKING the link, please download this PDF first and then click on it.

CLICK HERE TO **DOWNLOAD** THE COMPLETE MANUAL