



# CUTTING TABLE

**4.20**

**4.80**

**5.40**

**6.00**

**6.60**

**7.60**

**ORIGINAL  
OPERATOR'S MANUAL**



CLICK HERE TO **DOWNLOAD** THE COMPLETE MANUAL

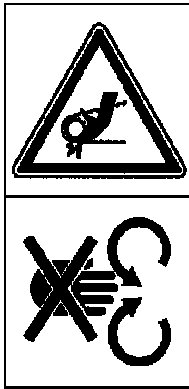
- Thank you very much for reading the preview of the manual.
- You can download the complete manual from: [www.heydownloads.com](http://www.heydownloads.com) by clicking the link below



- Please note: If there is no response to CLICKING the link, please download this PDF first and then click on it.

CLICK HERE TO **DOWNLOAD** THE COMPLETE MANUAL

# GENERAL INFORMATION



(341000004)

### Decal 4

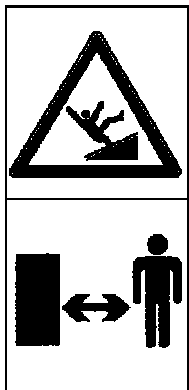
Do not open or remove the safety guards when the engine is running.



(341000007)

### Decal 14

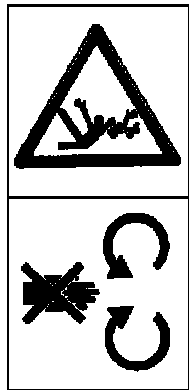
Stay clear of: Knives (or cutting edges) rotating at high speed; any contact with these rotating parts may result in serious mutilation of fingers, hands, arms and other parts of the body. Before approaching this area, switch off the engine and wait until all rotating parts have come to a complete stop.



(341000031)

### Decal 18

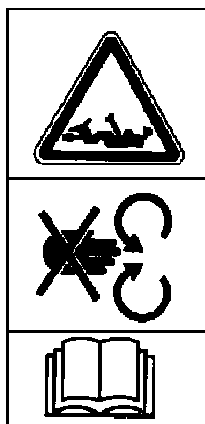
Stay clear of the cutting table: Before carrying out any maintenance or clearing the cutting table, disengage the drive, stop the engine and remove the ignition key.



(341000033)

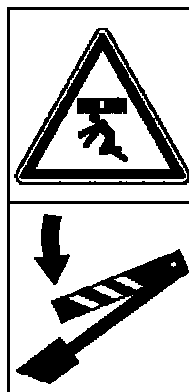
### Decal 20

Stay clear of rotating augers.



### Decal 22

Caution, rotating PTO shaft: Danger of entanglement. Before uncoupling, switch off the engine. Read the user instructions carefully.



(341000005)

### Decal 24

Engage the safety stops on the lifting rams before carrying out any maintenance work under the cutting table, and during road transport with the table attached.

**AL models - Fig. 11 and Fig. 12**

The AL models use a system of catches (1) to lock the lower part of the cutting table on the main crop elevator.

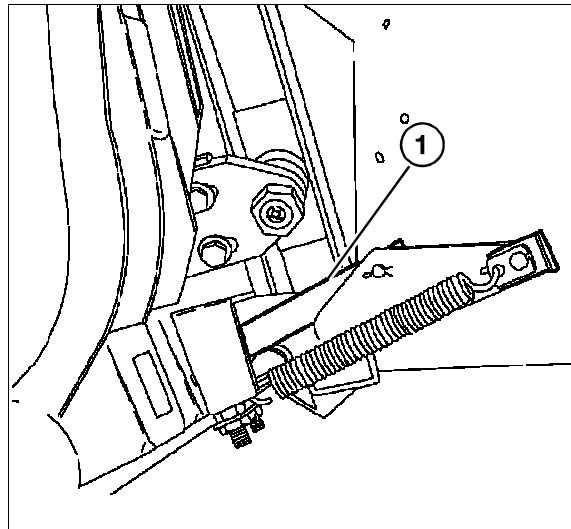


Fig. 11

The first time the cutting table is attached to the combine, the position of the collars (2) must be adjusted so that the catches (1) project about 15 mm beyond the support when engaged, thus ensuring safe contact.

To ensure this, the length of the spring must be 250 mm.

Carry out this operation on both sides.

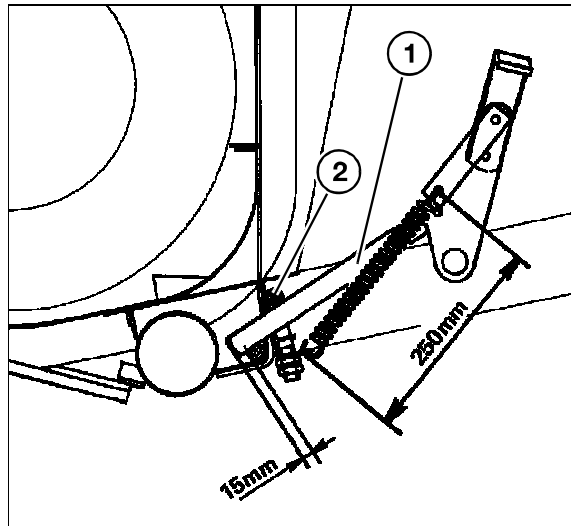


Fig. 12

### 4.9 CUTTING TABLE ADJUSTMENT FOR DIFFERENT CROPS

TYPE OF CROP	RECOMMENDED OPTIONAL EQUIPMENT	STRAW DIVIDER	TABLE AUGER	REEL
WHEAT BARLEY OATS TRITICALE	-	- Straw dividers - Straw divider extension wing	- Clearance between auger flights and table bottom 10-12 mm - Clearance between retractable fingers and table bottom 8-10 mm	- Speed slightly higher than combine forward speed. - The spring tines must only just penetrate the crop and be slightly angled towards the knife. - The reel must be moved about half-way forward.
RYE	- Torpedo dividers	- Torpedo dividers - Straw divider extension wing	- Clearance between auger flights and table bottom 15-18 mm - Clearance between retractable fingers and table bottom 12-15 mm	
RICE	- Sprocket Z=44 or Z=47	- Straw dividers - Straw divider extension wing	- Clearance between auger flights and table bottom 7-8 mm - Clearance between retractable fingers and table bottom 7-8 mm - Sprocket Z=44 or Z=47	- Speed slightly higher than combine forward speed. - In short crops, the reel spring tines must only just touch the knife.
RAPE • Direct cut	- Cutting table extension - Vertical knives	-	- Clearance between auger flights and table bottom 20-25 mm - Clearance between retractable fingers and table bottom 20 mm	- Fully raised and forward. Speed lower than combine forward speed.
	• Swathing - Pick-up	-		-
RYEGRASS FESCUE • Direct cut	-	- Straw dividers - Straw divider extension wing	- Clearance between auger flights and table bottom 7-8 mm - Clearance between retractable fingers and table bottom 7-8 mm	- Adapt the reel speed to the crop type. - In short crops, the reel spring tines must only just touch the knife

**REEL VARIATOR BELT - Fig. 5**

If the belt is too slack and tends to come off the pulleys both at minimum and maximum variator revolutions, move the drive shaft with variator pulleys downward after loosening the screws (1) fastening it to the side panel.

Then check the tension of the auger drive chain (2) and the knife drive belt (3).

With the variator at max. or min. revolutions, the belt must be 4-5mm below the edge of the pulley.

If not, adjust the threaded rod (4) by moving the nut and lock nut that determine the end stroke of the electric ram of the variator.

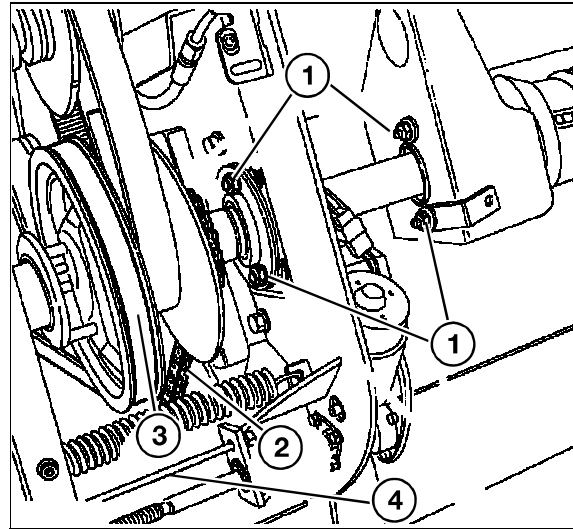


Fig. 5

**KNIFE DRIVE BELT - Fig. 6**

To tension the belt, adjust the movable tensioner, after loosening the screw (1).

The belt is correctly tensioned when a load of 6 kg in the middle of the marked section causes a deflection of 8-10 mm.

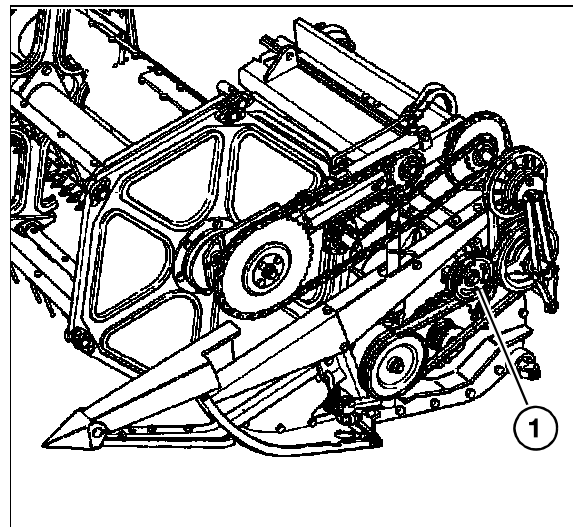


Fig. 6

**TABLE AUGER DRIVE CHAIN - Fig. 7**

The chain is tensioned with the tensioner (1), whose position can be varied with the screws (2).

The adjustment is correct when the total deflection in the middle of the tensioned side is 15 mm.

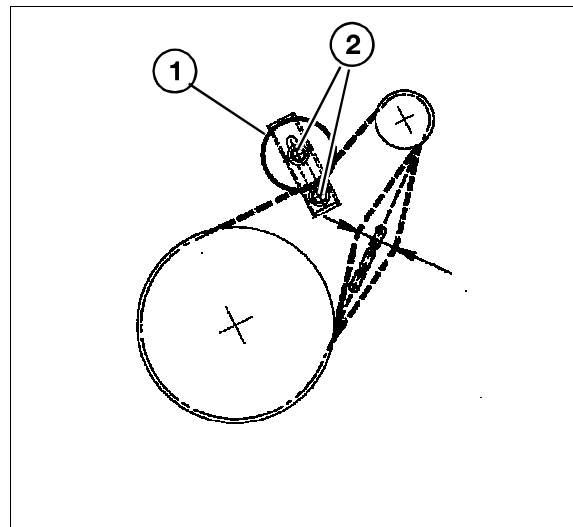


Fig. 7

## OFF-SEASON STORAGE

---

### ORDERING SPARE PARTS

When preparing the cutting table for storage, check for worn parts that need replacing.

The parts must be ordered immediately and installed before the start of the new harvest season.

When ordering spare parts from your Dealer, always state the cutting table model and serial number.

See chapter "Cutting Table Identification" (page 1-3).

**Always ask for genuine parts. These parts ensure the best results.**

### BEFORE THE START OF EACH NEW SEASON

The following operations must be carried out at the beginning of each new season to ensure the cutting table is in good condition and ready for use.

- 1.) Attach the cutting table to the combine.
- 2.) Fit the knife.
- 3.) Lubricate the cutting table according to the instructions in the chapter "Lubrication".
- 4.) Check the tension of all chains and belts.
- 5.) Having started the combine (as described in the combine Operator's Manual) engage the cutting table and check that everything operates properly.

CLICK HERE TO **DOWNLOAD** THE COMPLETE MANUAL

- Thank you very much for reading the preview of the manual.
- You can download the complete manual from: [www.heydownloads.com](http://www.heydownloads.com) by clicking the link below



- Please note: If there is no response to CLICKING the link, please download this PDF first and then click on it.

CLICK HERE TO **DOWNLOAD** THE COMPLETE MANUAL