

Operator's Manual

RAMOS SM 210

Disc mower

The Fella logo consists of the word "FELLA" in a bold, italicized, black sans-serif font, centered within a white circle. This circle is set against a large red background that features a stylized graphic of curved lines on the left side, resembling a fan or a series of overlapping blades.

FELLA

Harvesting Energy.

CLICK HERE TO **DOWNLOAD** THE COMPLETE MANUAL

- Thank you very much for reading the preview of the manual.
- You can download the complete manual from: www.heydownloads.com by clicking the link below



- Please note: If there is no response to CLICKING the link, please download this PDF first and then click on it.

CLICK HERE TO **DOWNLOAD** THE COMPLETE MANUAL

2.6 Warning notices on the machine



Warning!

Risk of injury from illegible warnings.

Warnings and symbols on the machine draw attention to hazards. If warning signs affixed to the machine are no longer legible or are damaged/missing, they must be replaced without delay.

→ Always check the condition of warning signs affixed to the machine before each use.

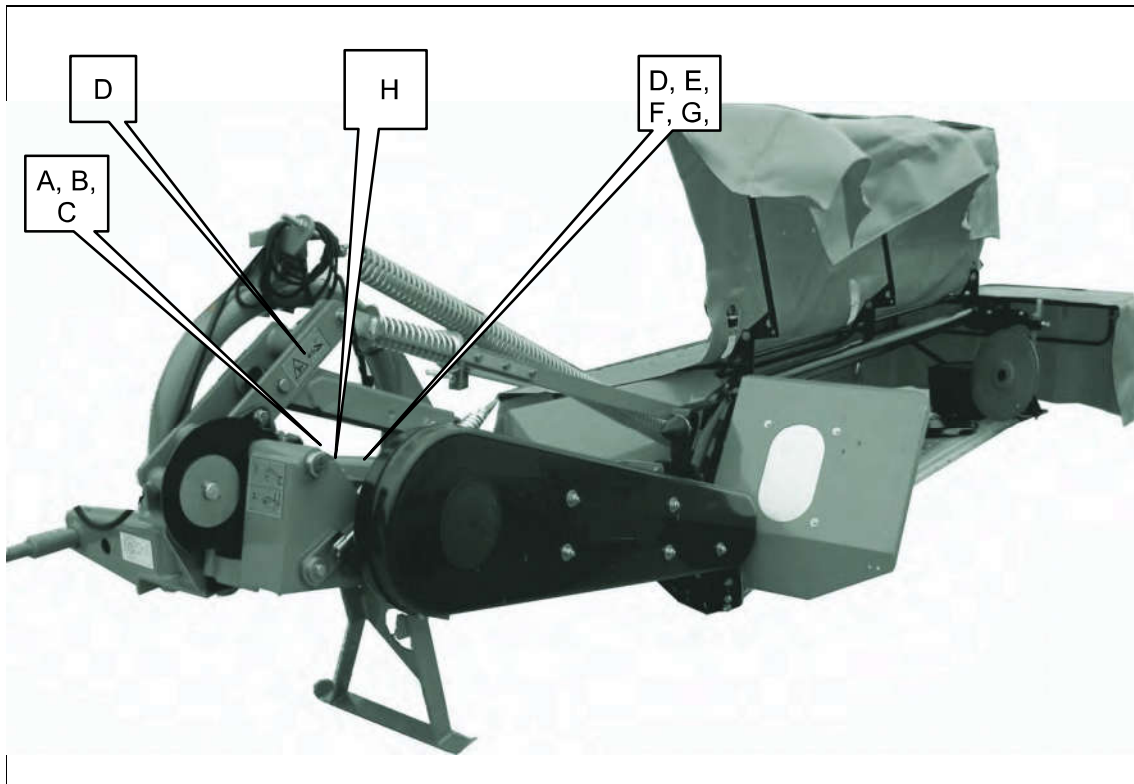


Fig. 4 Warning notices on the machine

4.3 Axle loads, gross weight and minimum ballast required

The front axle of the tractor must always be loaded with at least 20% of the empty weight.

To ensure compliance with the permissible axle loads and gross weight as well as with the steerability of the tractor-machine combination, make the following calculations.

Calculation of minimum ballast required on the front axle:

$$I_{Fmin} = \frac{[I_R \times (c + d)] - (T_F \times b) + (0.2 \times T_E \times b)}{a + b}$$

Calculation of actual front axle load:

$$T_{Ftat} = \frac{[I_F \times (a + b)] + (T_F \times b) - [I_R \times (c + d)]}{a + b}$$

Calculation of actual gross weight:

$$I_{tat} = I_F + T_E + I_R$$

Calculation of actual rear axle load:

$$T_{Rtat} = I_{tat} - T_{Ftat}$$

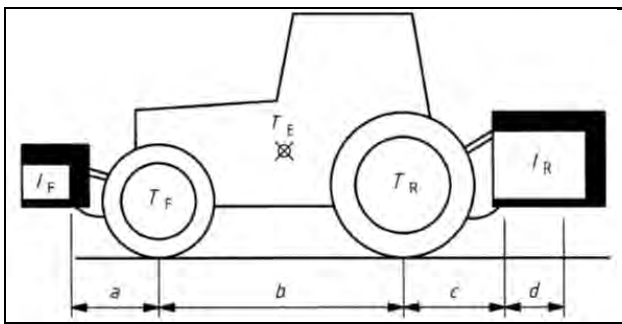


Fig. 19 for calculating required parameters

	Unit	Explanation	
T_E	[kg]	Empty weight of tractor	❶
T_F	[kg]	Front axle load of empty tractor	❶
T_R	[kg]	Rear axle load of empty tractor	❶
I_R	[kg]	Gross weight of rear-mounted attachment/rear-mounted ballast of towed machine: I_R = bearing load	❷
I_F	[kg]	Total weight of front-mounted attachment/front ballast	❷
a	[m]	Distance between centre of gravity of front-mounted attachment/front ballast and centre of front axle	❷ ❸
b	[m]	Tractor wheel base	❶ ❸
c	[m]	Distance between centre of rear axle and centre of lower link balls	❶ ❸
d	[m]	Distance between centre of lower link balls and centre of gravity of rear-mounted attachment/rear-mounted ballast of towed machine: $d = 0$	❸

- ❶ See tractor operating instructions
- ❷ See front-mounted attachment operating instructions
- ❸ Dimensions
- ❹ See type plate

9 Settings



Warning!

Risk of injury from moving machine parts.

Unwanted movement of the machine may occur in the course of adjustment work. Unless otherwise prescribed in these operating instructions, proceed as follows:

- ➔ Apply the tractor parking brake.
- ➔ Switch off the tractor engine.
- ➔ Remove the ignition key.
- ➔ Secure the machine and tractor against rolling away.

9.1 Adjusting cutting height

The cutting height is measured from the centre of the cutter blade to the ground. The machine should be parked on a level surface in the working position for this.

- ➔ By altering the length of the top link, you can adjust the cutting height.

Lengthen Higher cutting height

Shorten Lower cutting height



Important!

Risk of damage to property from operating the hydraulic top link incorrectly.

Significant changes to the length of the hydraulic top link can cause the PTO shaft to buckle. This can damage the gearbox.

- ➔ Make sure that the minimum clearance of 25 mm is maintained for the length of the PTO shaft.



Note

A cutting height that is too low can damage the sward and contaminate the forage. As a result, both the average annual harvest and the forage quality decrease.

9.2 Adjusting the spring relief

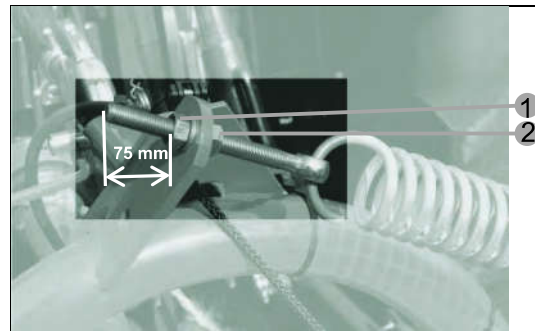


Fig. 36 Spring relief factory setting

The factory setting for the projection of the thread is 75 mm.

- ➔ Loosen the nut (2).
- ➔ Turn the nut (1) to alter the spring tension.

Clockwise	Longer projection -> lower ground pressure
Anticlockwise	Shorter projection -> higher ground pressure

- ➔ Re-tighten the nut (2).

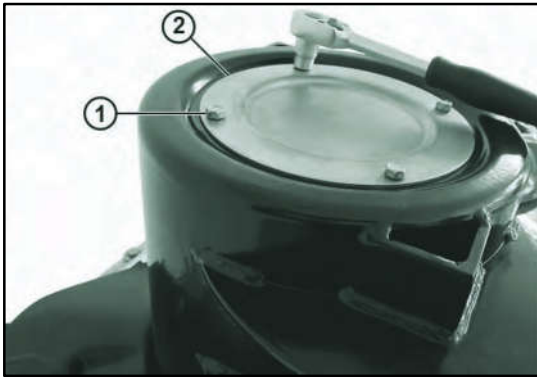


Fig. 57 Remove cover

- ➔ Release the 4 screws (1) from the cover (2) of the feed drum.
- ➔ Remove the cover.

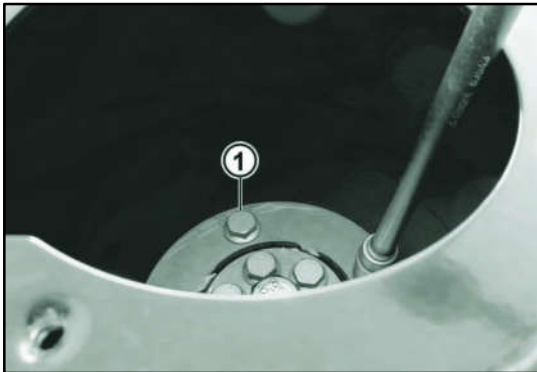


Fig. 58 driveGUARD - Outer bolts

- ➔ Release the 4 outer bolts (1) on the driveGUARD element using the socket spanner extension.

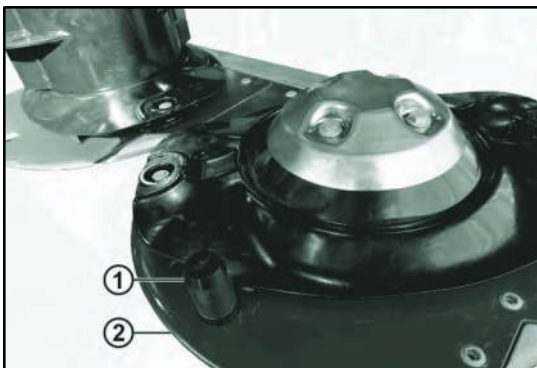


Fig. 59 Stop pin inserted in new position

- ➔ Insert the stop pin (1) into the adjacent mower disc (2).



Fig. 60 driveGUARD - Inner bolts

- ➔ Release the 6 inner bolts.
- ➔ Carefully remove all parts of the released driveGUARD element.

Installation

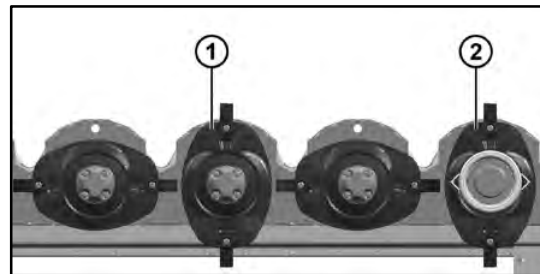


Fig. 61 Mower discs aligned

- ➔ Align mower disc (1) parallel to mower disc (2).

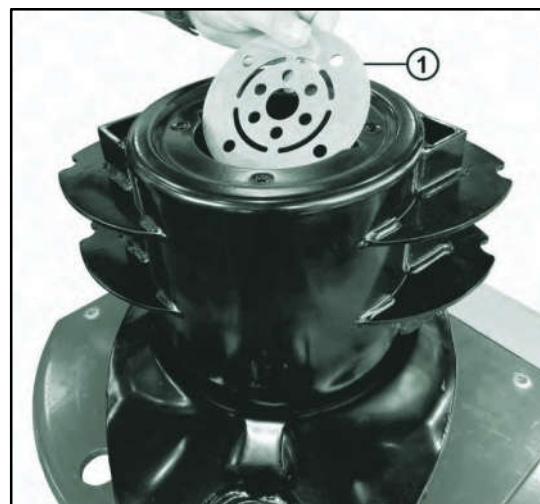


Fig. 62 Insert new driveGUARD element

- ➔ Insert a new driveGUARD element (1).

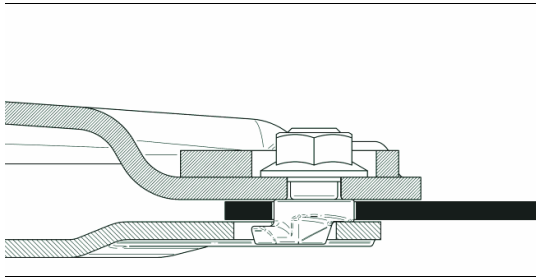


Fig. 83 Checking the cutter blade seating

- ➔ Check whether the cutter blade is correctly positioned on the blade retaining bolt.

Replacing the blade retaining bolt and/or the holding spring

- ➔ Clean the relevant mower disc.
- ➔ Insert the stop pin into the stone guard of the relevant mower disc.
- ➔ Rotate the mower disc as far as it will go to prevent it from rotating further.
- ➔ Remove the cutter blades from the relevant mower disc.

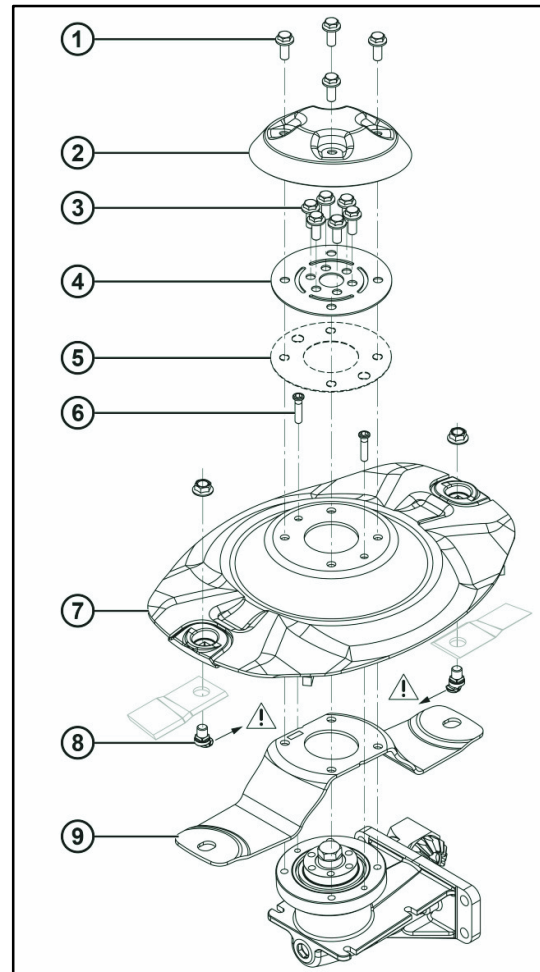


Fig. 84 Fitting the retaining bolt and retaining spring

- ➔ Disassemble the mower disc. Start with the bolts (1).
- ➔ If necessary, replace the VERBUS-RIPP® nut and retaining bolt (8) in pairs.

Retaining bolt tightening torque: 140 Nm

- ➔ Make sure that the retaining bolt lugs face towards the centre of the mower disc.
- ➔ Replace the retaining spring (9) as required.
- ➔ Assemble the mower disc in the reverse order. Start with the retaining spring (9).

Bolt tightening torque (6): 30 Nm

CLICK HERE TO **DOWNLOAD** THE COMPLETE MANUAL

- Thank you very much for reading the preview of the manual.
- You can download the complete manual from: www.heydownloads.com by clicking the link below



- Please note: If there is no response to CLICKING the link, please download this PDF first and then click on it.

CLICK HERE TO **DOWNLOAD** THE COMPLETE MANUAL