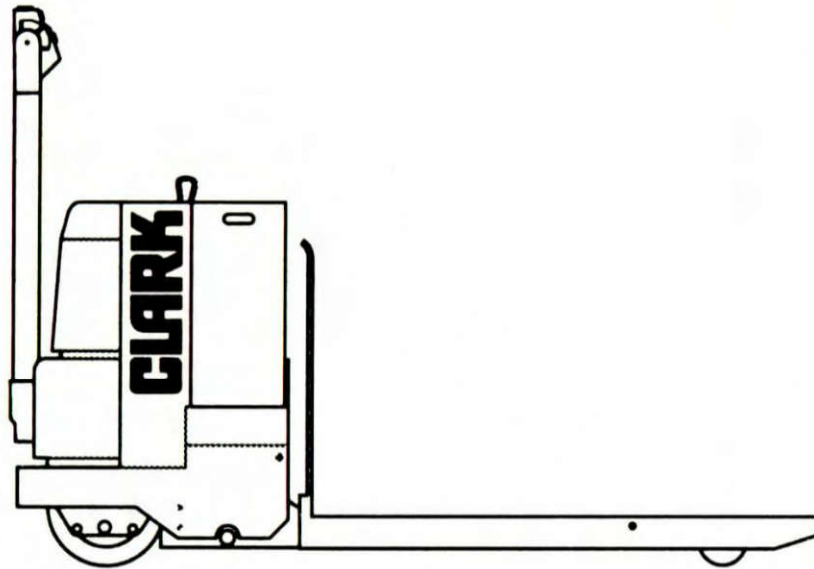

Operator's Manual

Do not remove this manual
from the truck.



P40
HWP40

CLARK

Book No. 2795287
OM-594

CLICK HERE TO **DOWNLOAD** THE COMPLETE MANUAL

- Thank you very much for reading the preview of the manual.
- You can download the complete manual from: www.heydownloads.com by clicking the link below



- Please note: If there is no response to CLICKING the link, please download this PDF first and then click on it.

CLICK HERE TO **DOWNLOAD** THE COMPLETE MANUAL

Know Your Truck

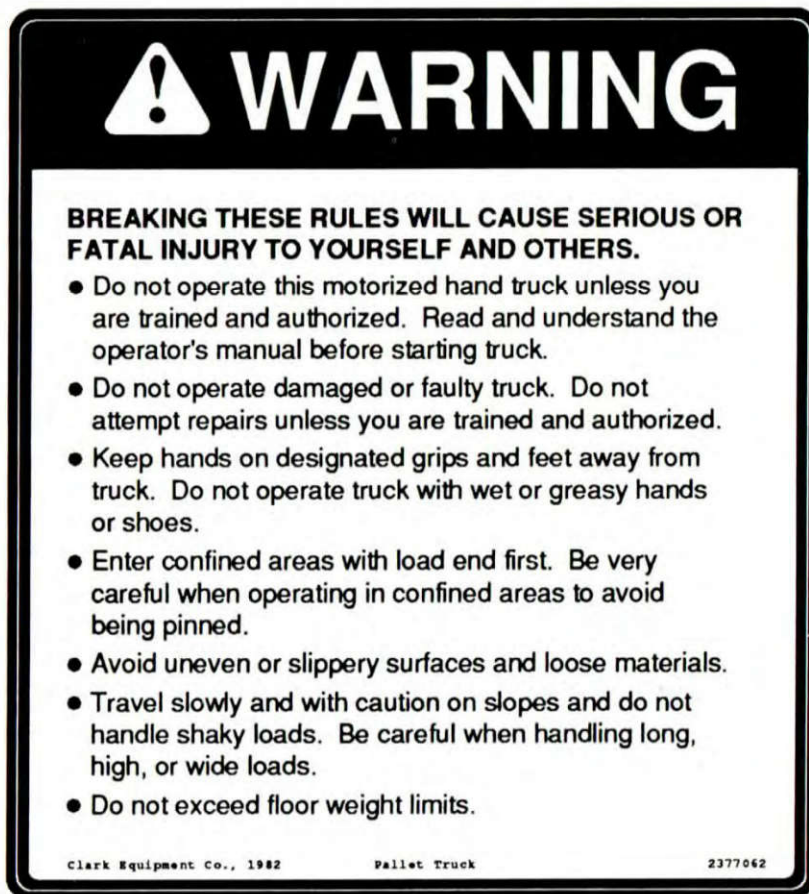
Contents

Component Locations (P Model)	1-2
Component Locations (HWP Model)	1-3
Operator's Controls (P Model)	1-4
Operator's Controls (HWP Model)	1-5
Maintenance	1-6
System Description	1-8
Nameplate Description	1-10
Warning Decals	1-11

Warning Decals

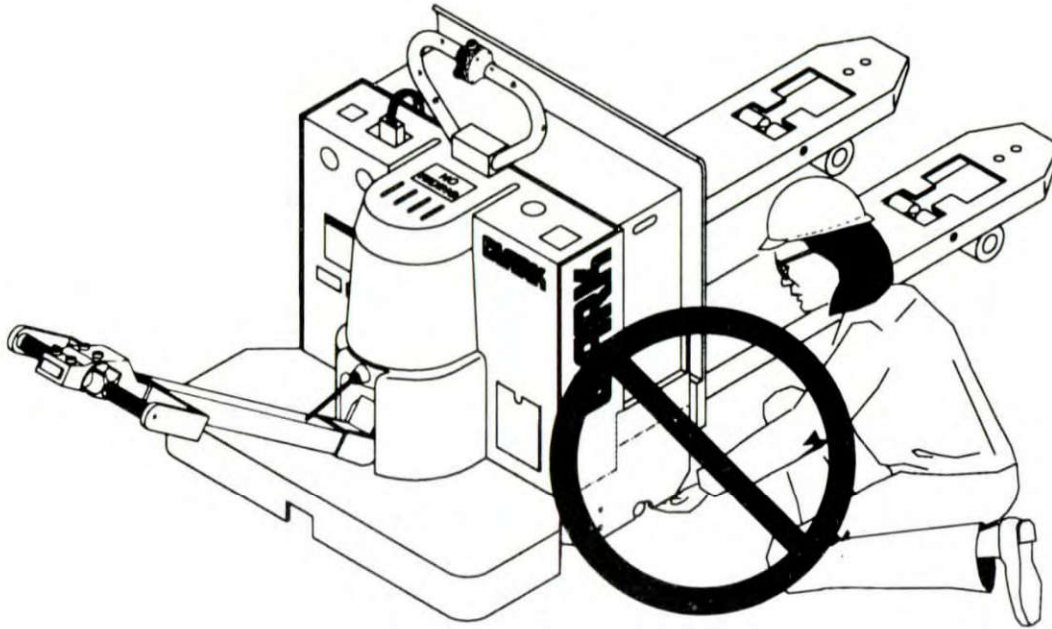
Here are examples of decals that give important information about operation and safety. OSHA and ANSI require you to replace them if they are missing or unreadable. Get familiar with them and follow the instructions. If you don't understand them, ask your supervisor for help.

Operator Safety Warning Decal



The operator's safety warning decal gives basic instructions for safe operation of a lift truck. Read and understand these instructions and the other safety messages in this manual and on the lift truck.

Pinch Points



Never allow anyone to reach under or around the edge of the truck. Be especially careful not to put any portion of your body under the load forks. Keep your feet clear of the truck when traveling.

Operating Procedures

Contents

Beginning Truck Operation	4-2
Travel Control	4-3
Emergency Reversal Switch	4-4
Lift and Lower Controls (P Model).....	4-5
Lift and Lower Controls (HWP Model).....	4-6
Braking	4-7
Load Handling	4-10
Parking	4-11

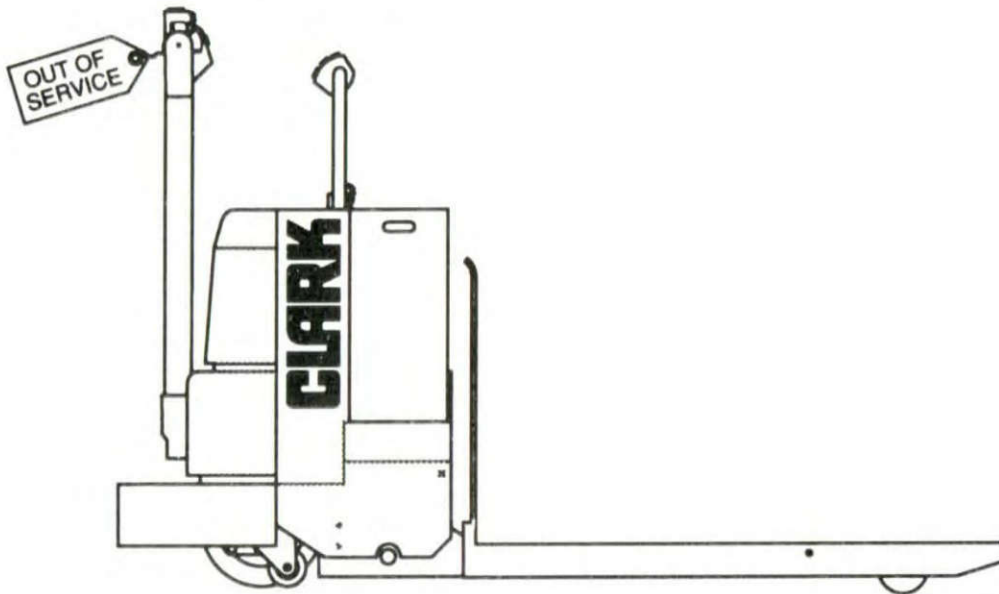
Daily Inspection

Contents

Daily Inspection Sheet.....	5-2
Operator Repairs.....	5-2
Horn	5-3
Emergency Reversal Switch	5-3
Travel Control	5-4
Lift and Lower Controls (P Model).....	5-5
Lift Controls (HWP Model)	5-6
Lower Controls (HWP Model)	5-7
Brake	5-8
Wheels and Tires	5-9
Hydraulic System	5-10
Maintenance Problems	5-11

OSHA requires inspection before starting each shift to keep lift trucks in safe operating condition. The following information points out important areas to check during these inspections.

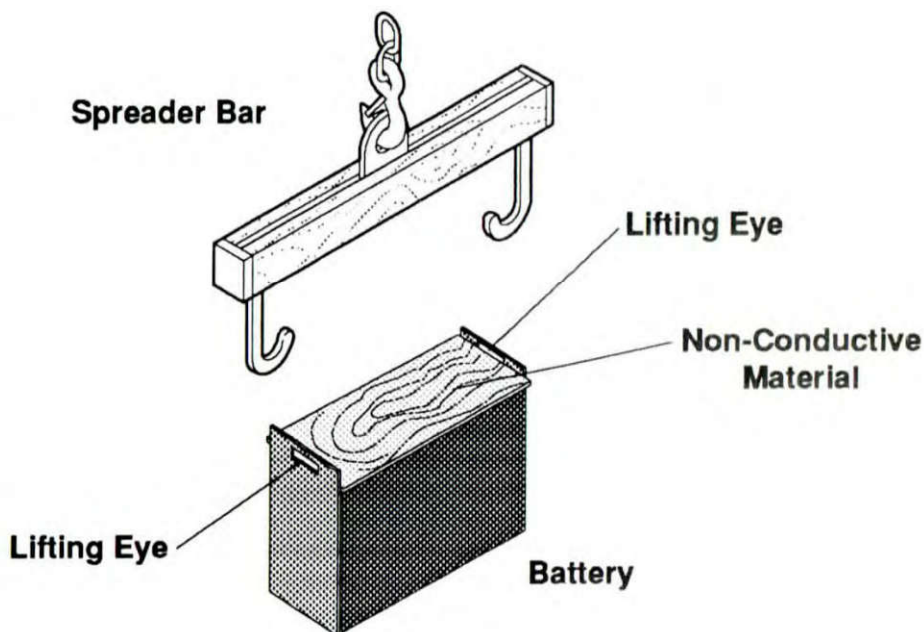
Maintenance Problems



Do not operate a truck that has a maintenance problem. Park the truck properly and remove the key, if equipped. Put an "Out-of-Service" tag on the truck. Report the truck problem to the proper authority.

Battery Handling

1. Change (remove) or service storage batteries only in an area designated for this purpose.
2. Be sure this area has provisions to flush and neutralize spillage, to ventilate fumes from gassing batteries, and for fire protection.
3. This area should be equipped with material-handling tools designed for removing and replacing batteries, including a conveyor or overhead hoist. Use lift hooks that have safety latches.
4. Always use a special lifting device such as an insulated spreader bar to attach the hoist to the battery. The width of the spreader bar hooks must be the same as the lifting eyes of the battery, to prevent damage to the battery. If the spreader bar hooks are movable, carefully adjust the position (width) of the hooks so that the pull is directly upward (vertical) and no side load or force (pressure) is exerted on the battery case. Be sure the lift hooks are the correct size to fit the lifting eyes of the battery.
5. If the battery does not have a cover of its own or has exposed terminals and connectors, cover the top with a non-conductive (insulating) material, such as a sheet of plywood or heavy cardboard, prior to attaching the lifting device.



CLICK HERE TO **DOWNLOAD** THE COMPLETE MANUAL

- Thank you very much for reading the preview of the manual.
- You can download the complete manual from: www.heydownloads.com by clicking the link below



- Please note: If there is no response to CLICKING the link, please download this PDF first and then click on it.

CLICK HERE TO **DOWNLOAD** THE COMPLETE MANUAL