

Farmall 40
Farmall 45
Farmall 50
With Cab and CVT Transmission
Compact Tractor

OPERATOR'S MANUAL

Part number 84382269

4th edition English

June 2011

Replaces part number 84307326



CLICK HERE TO **DOWNLOAD** THE COMPLETE MANUAL

- Thank you very much for reading the preview of the manual.
- You can download the complete manual from: www.heydownloads.com by clicking the link below



- Please note: If there is no response to CLICKING the link, please download this PDF first and then click on it.

CLICK HERE TO **DOWNLOAD** THE COMPLETE MANUAL

Torque - Minimum Tightening Torques for Normal Assembly

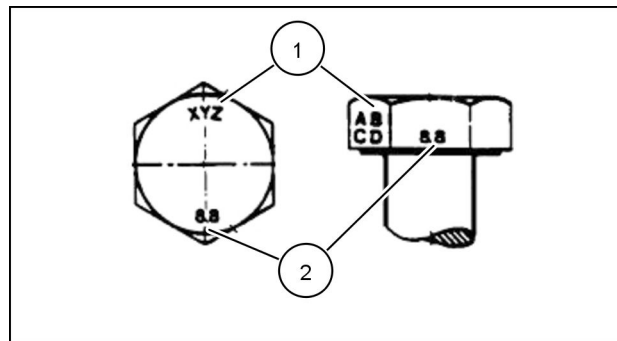
METRIC NON-FLANGED HARDWARE

NOM. SIZE	CLASS 8.8 BOLT and CLASS 8 NUT		CLASS 10.9 BOLT and CLASS 10 NUT		LOCKNUT CL.8 W/CL8.8 BOLT	LOCKNUT CL.10 W/CL10.9 BOLT
	UNPLATED	PLATED W/ZnCr	UNPLATED	PLATED W/ZnCr		
M4	2.2 N·m (19 lb in)	2.9 N·m (26 lb in)	3.2 N·m (28 lb in)	4.2 N·m (37 lb in)	2 N·m (18 lb in)	2.9 N·m (26 lb in)
M5	4.5 N·m (40 lb in)	5.9 N·m (52 lb in)	6.4 N·m (57 lb in)	8.5 N·m (75 lb in)	4 N·m (36 lb in)	5.8 N·m (51 lb in)
M6	7.5 N·m (66 lb in)	10 N·m (89 lb in)	11 N·m (96 lb in)	15 N·m (128 lb in)	6.8 N·m (60 lb in)	10 N·m (89 lb in)
M8	18 N·m (163 lb in)	25 N·m (217 lb in)	26 N·m (234 lb in)	35 N·m (311 lb in)	17 N·m (151 lb in)	24 N·m (212 lb in)
M10	37 N·m (27 lb ft)	49 N·m (36 lb ft)	52 N·m (38 lb ft)	70 N·m (51 lb ft)	33 N·m (25 lb ft)	48 N·m (35 lb ft)
M12	64 N·m (47 lb ft)	85 N·m (63 lb ft)	91 N·m (67 lb ft)	121 N·m (90 lb ft)	58 N·m (43 lb ft)	83 N·m (61 lb ft)
M16	158 N·m (116 lb ft)	210 N·m (155 lb ft)	225 N·m (166 lb ft)	301 N·m (222 lb ft)	143 N·m (106 lb ft)	205 N·m (151 lb ft)
M20	319 N·m (235 lb ft)	425 N·m (313 lb ft)	440 N·m (325 lb ft)	587 N·m (433 lb ft)	290 N·m (214 lb ft)	400 N·m (295 lb ft)
M24	551 N·m (410 lb ft)	735 N·m (500 lb ft)	762 N·m (560 lb ft)	1016 N·m (750 lb ft)	501 N·m (370 lb ft)	693 N·m (510 lb ft)

NOTE: M4 through M8 hardware torque specifications are shown in pound-inches. M10 through M24 hardware torque specifications are shown in pound-feet.

IDENTIFICATION

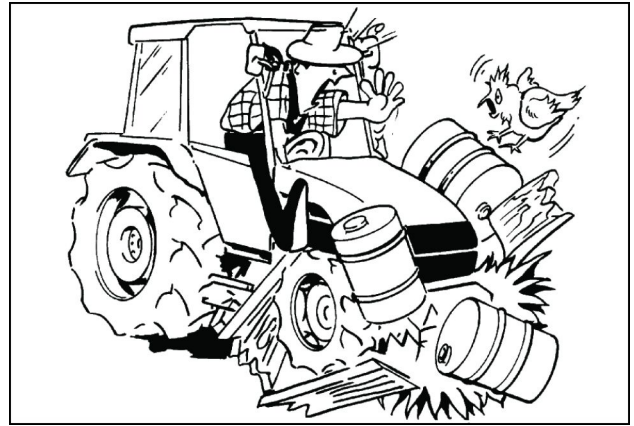
Metric Hex head and carriage bolts, classes 5.6 and up



20083680 1

1. Manufacturer's Identification
2. Property Class

10. Do not alter the calibration of the pressure relief valves in the various hydraulic circuits (steering, hydraulic lift, auxiliary distributors, etc.).
11. Avoid using the tractor in unsuitable physical conditions, stop work instead.
12. Enter and leave the tractor using the steps and handles provided. Keep these fittings free of mud and debris.
13. Always operate with the cab correctly and securely fitted on the tractor: periodically check that the fittings are not loose and that all parts of the structure are free from any damage and deformation. Do not modify the cab by welding parts, drilling holes, etc., as this could adversely affect the rigidity of the structure.



20103267 2

Starting the tractor

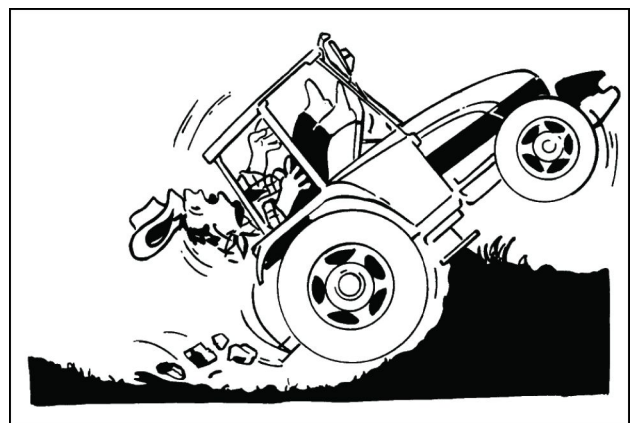
1. Before starting the engine, check that the hand brake is on and that the transmission shuttle shift lever and power take-off are disengaged, even if the tractor is fitted with a start-up safety device. Never disconnect the start-up safety switch. If the switch does not work correctly, contact your local dealer for eventual repair operations.
2. Before starting the engine, make sure that all attached implements are lowered to the ground.
3. Before starting the engine, check that all covers and guards are correctly in position (hood side panels, power take-off guard, front axle transmission shaft cover, etc.).
4. Never start or maneuver the tractor unless seated in the driving position.
5. Before moving the tractor, always check that the area is free of persons or obstacles.
6. Never run the engine in a closed space without ensuring adequate ventilation. Exhaust fumes are damaging to the health and can be lethal.



20103268 1

Using the tractor

1. Select the most suitable wheel setting for the work in hand, i.e.: the setting that provides the best stability.



20103269 1

ENVIRONMENT CONTROL Heating, ventilation and air-conditioning - Personal safety

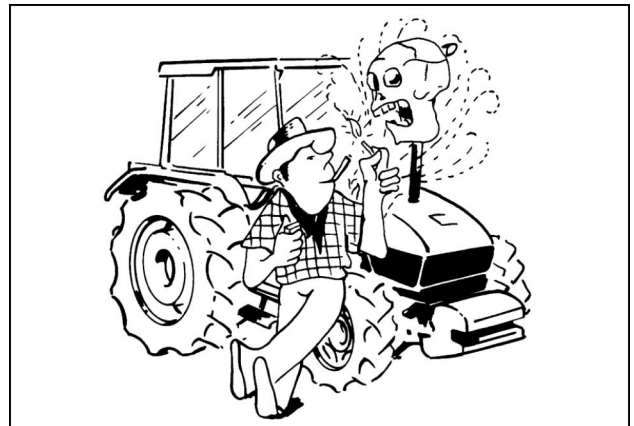
Safety Rules

The air conditioning system is safe and can be used continuously without any risk. However, it is important to observe a few simple precautions, listed below, to avoid any risk of accident.

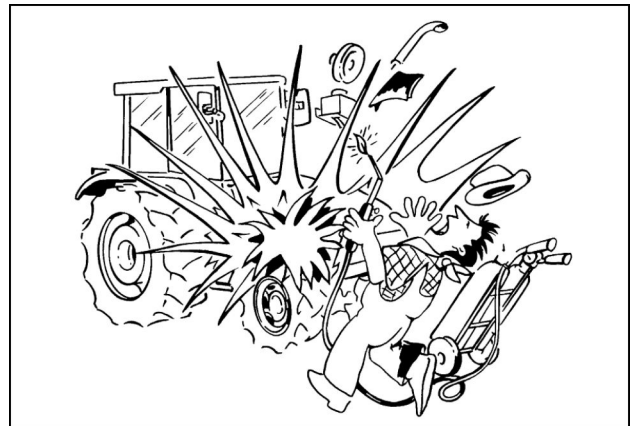
- It is advised never to personally attempt to adjust the system; any repair work should be carried out by the experienced technicians of the CASE IH AGRICULTURE Service Network.
- Never allow open flames near the air conditioning system, as if there is a leak of coolant, a lethal gas: phosgene, could be produced.
- The oil and coolant mixture is pressurized in the air-conditioning circuit. The loosening of any connections or handling of lines is therefore strictly forbidden. For the same reason, never unscrew the compressor oil level inspection cap for any reason.
- Do not allow the air conditioning system to approach any heat source, in order to prevent an explosion risk.
- Coolant can freeze the skin and, above all, the eyes. If an accident should occur, proceed as follows:
 - If coolant comes into contact with the eyes, wash immediately with a few drops of mineral oil, then continue washing thoroughly with a solution of boric acid and water (one teaspoon of acid in 1/4 of a cup of water) and consult a doctor at once.
 - Freezing caused by coolant can be treated by gradually unfreezing the injured zone with cold water and then applying a grease based cream. Consult a doctor promptly.



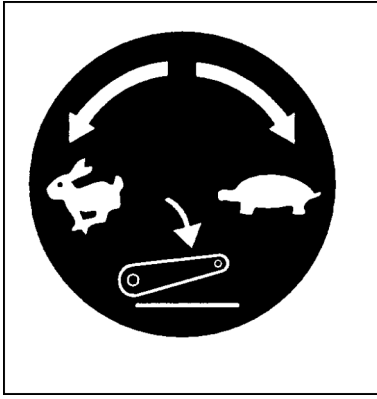
24146 1



24145 2

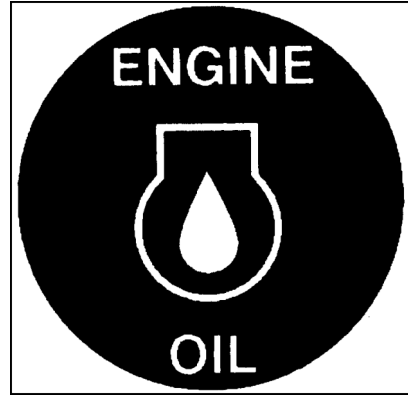


24147 3



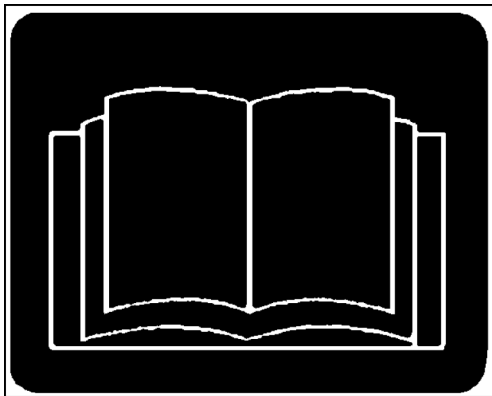
86400295A 7

Flow Control Valve
PART NO: 86400295
LOCATION: Top of Flow Control Knob



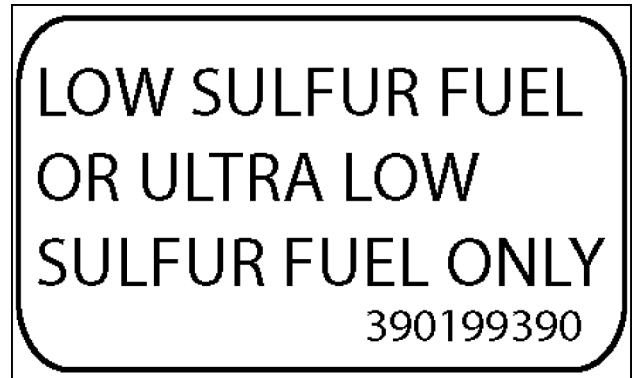
86532916A 8

Engine Oil
PART NO: 86532916
LOCATION: Engine Oil Filler Cap



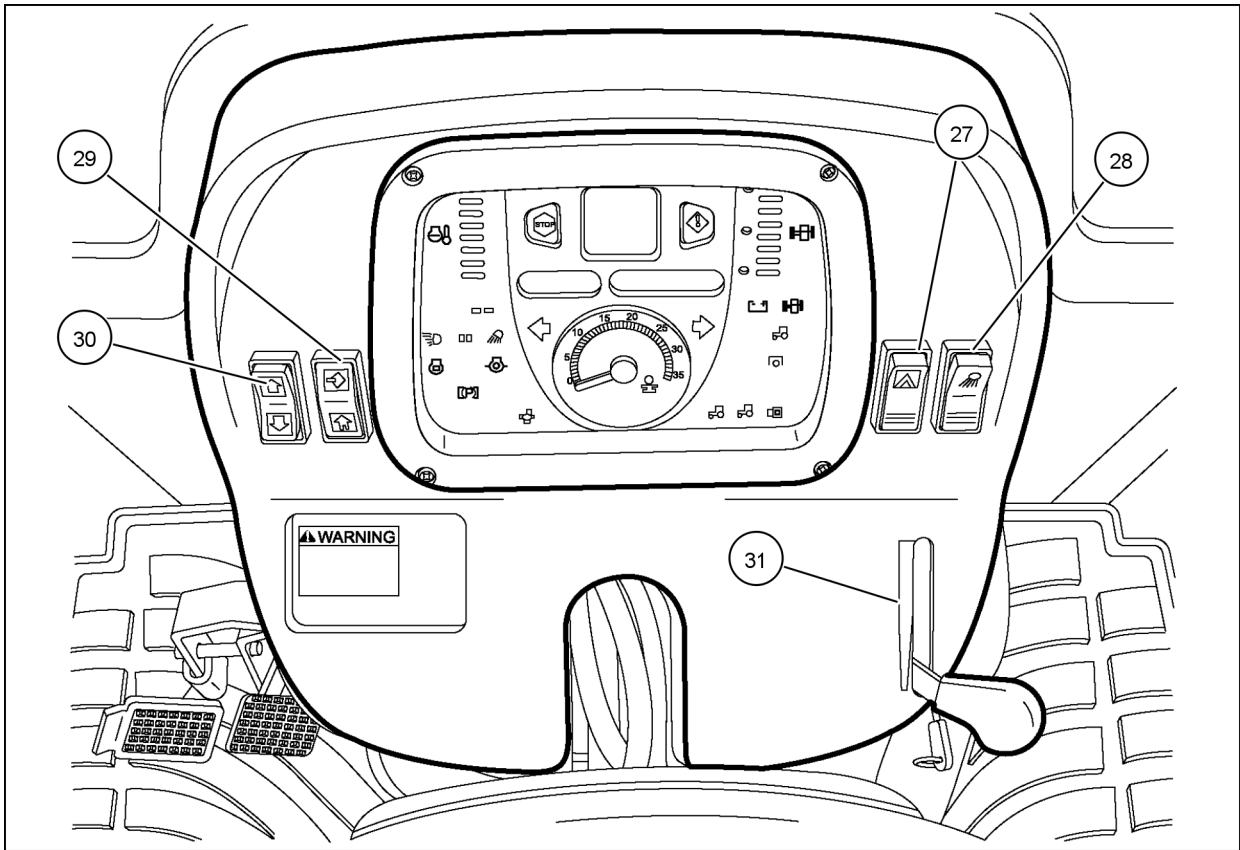
86532914A 9

Hyd. Manifold Operation
PART NO: 86532914
LOCATION: Diverter Valve



390199390 10

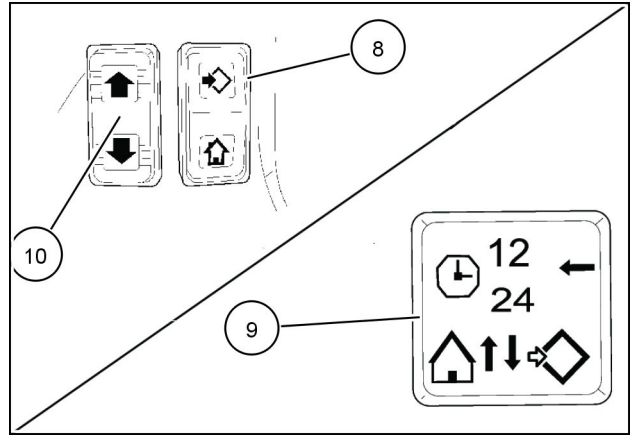
Low Sulfur Fuel
PART NO: SBA390199390
LOCATION: Left Rear Fender, near fuel tank



86084088 4

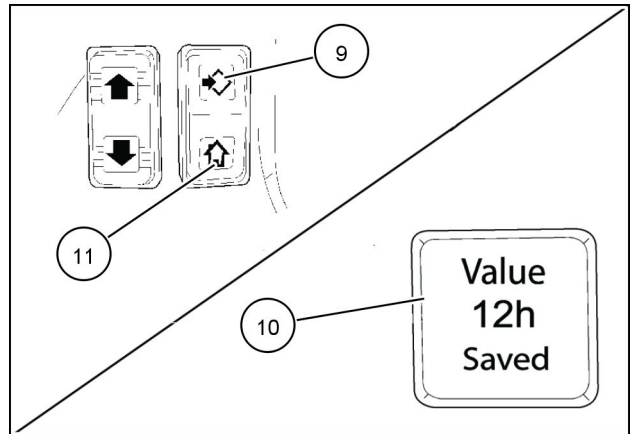
- 27. FLASHING HAZARD WARNING LIGHT SWITCH - By pressing the red portion of the switch, the hazard lights will begin to blink regardless of the key position.
- 28. FRONT WORK LIGHT SWITCH - By pressing the green portion of the switch, the front work lights will illuminate with the key switch in the "ON" position.
- 29. ENTER/HOME SWITCH - (ENTER) Pressing and holding the top portion of the switch for several seconds allows the operator to enter the Analog Digital Instrument Cluster (ADIC) programming mode to make necessary changes to the operation settings of the tractor. After changes have been made to the settings, push the top portion of the switch again to save the settings.
- 30. SCROLL UP/SCROLL DOWN SWITCH - By pressing the up/down switch you can navigate through the menu and make changes to the programmable settings.
- 31. HAND THROTTLE - Regulates the engine by means of a cable. When pushing up on the lever you increase engine speed, and pulling back on the lever will decrease engine speed.

- Press the ENTER switch **(8)** to navigate to 12/24 HOUR mode **(9)**.
- Use UP/DOWN switch **(10)** to set clock to desired 12/24 hour setting.



20102717 23

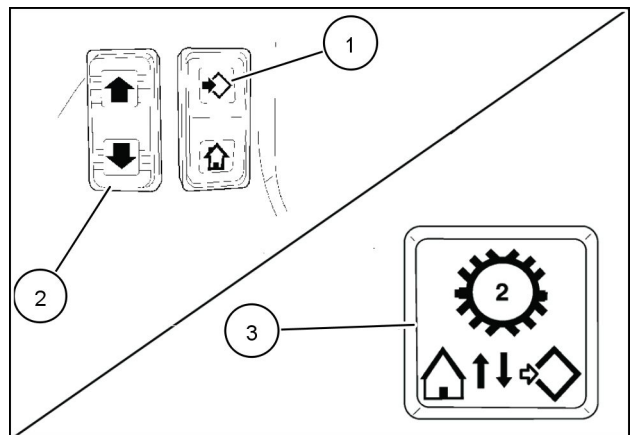
- Press the ENTER switch **(9)** to save the desired time setting **(10)**.
- Press HOME switch **(11)** to exit programming mode.



20102718 24

Medium speed range speed set

- Press and hold ENTER switch **(1)** to obtain ADIC "Set Up" programming mode, then use the UP/DOWN switch **(2)** to navigate to MAX SPEED SET menu **(3)**.

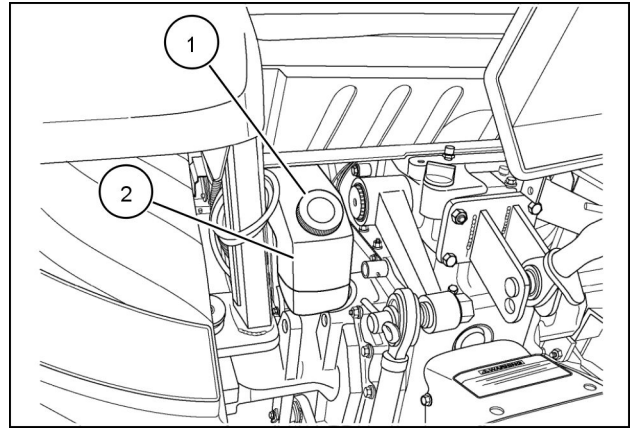


20102719 25

Windscreen washer reservoir

The washer reservoir bottle is located at the rear of the tractor under the cab. Remove the filler cap (1) and fill bottle (2) with suitable washer fluid.

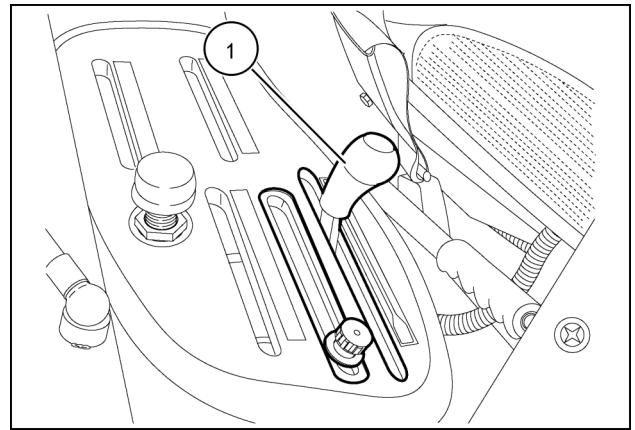
NOTICE: In the winter months, use an anti-freeze washer fluid.



86064817 1

Hydraulic power lift (HPL)

The H.P.L. lever (1) is located on the right-hand control pod. the lever controls the position of the two lift arms.

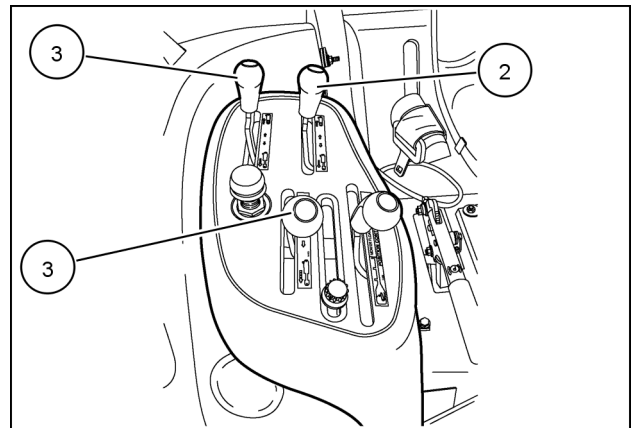


86083730A 1

Rear remote control valve(s)

(Optional)

The control lever(s) are located on the right-hand control pod, #1 remote (1), #2 remote (2), and #3 remote (3).

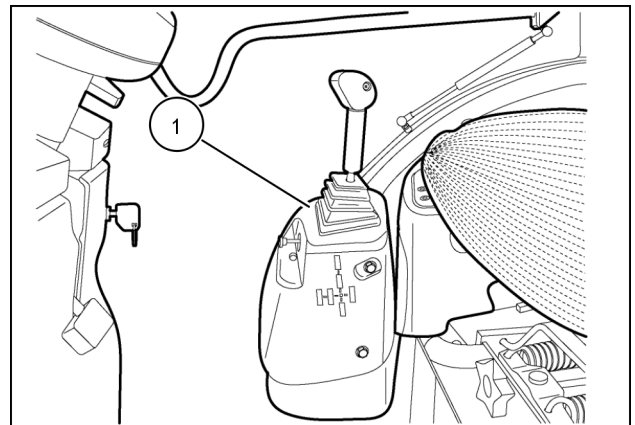


86083798 1

Front remote control valve

(Optional)

The two-spool control valve (1) is mounted to the front of the right-hand fender.



86083728 1

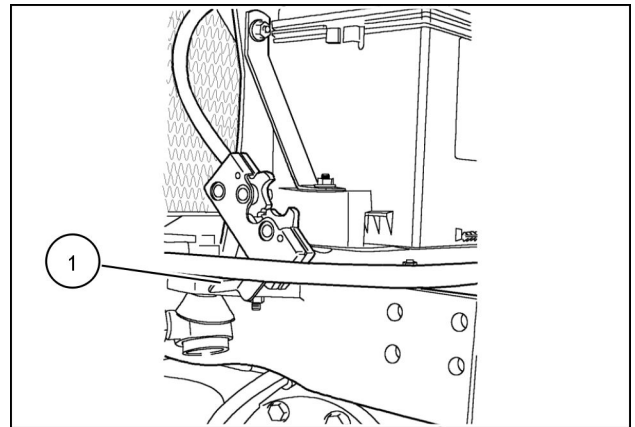
EXTERIOR CONTROLS

Hood latch

As viewed from the front of the tractor:

1. To raise the hood, move the latch release lever **(1)** forward and lift the hood to its fully raised position. Gas shocks hold the hood in the fully raised position.
2. To close, lower the hood until it is retained by the latch mechanism.

NOTE: Keep latch mechanism free of dirt and debris so latch assembly will operate properly.

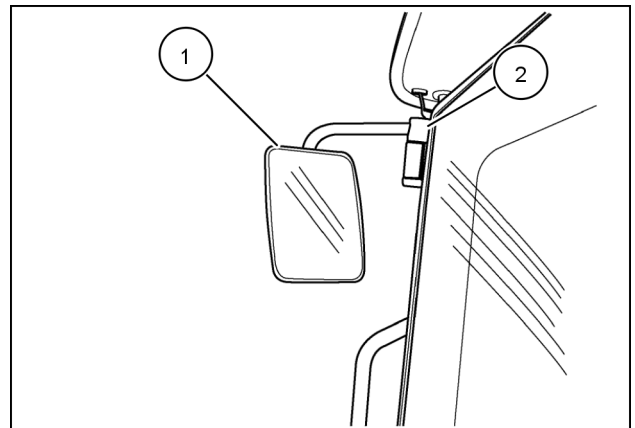


30997551A 1

Mirror Rear view mirror - Adjust

The tractor has mirrors **(1)** on both right and left hand sides, mounted on the front of the cab. That can be adjusted in two different ways, as described below:

- Rotate the support bracket **(2)** on its own axis to adjust the angle of the mirror.
- Rotate the mirror **(1)** to obtain the best rear view.



10054353 1

CLICK HERE TO **DOWNLOAD** THE COMPLETE MANUAL

- Thank you very much for reading the preview of the manual.
- You can download the complete manual from: www.heydownloads.com by clicking the link below

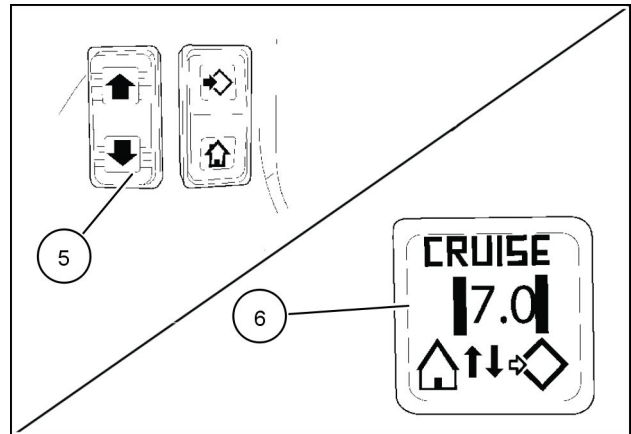


- Please note: If there is no response to CLICKING the link, please download this PDF first and then click on it.

CLICK HERE TO **DOWNLOAD** THE COMPLETE MANUAL

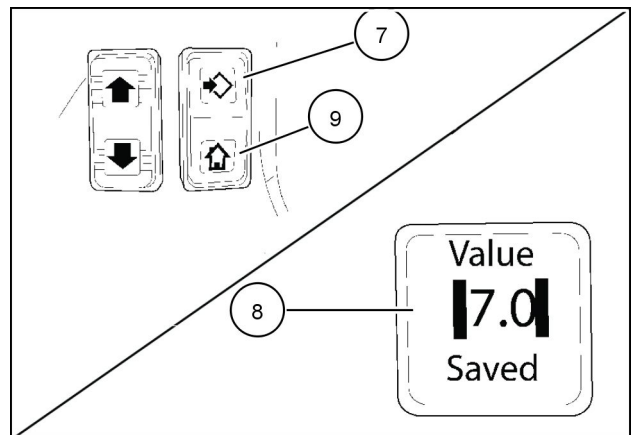
- Use UP/DOWN switch (5) to set desired cruise speed (6).

NOTE: Speed settings are only in 0.5 km/h or 0.5 mph increments.



20103242 24

- Press ENTER switch (7) to save the desired programmed speed (8).
- Press HOME switch (9) to exit programmable mode.



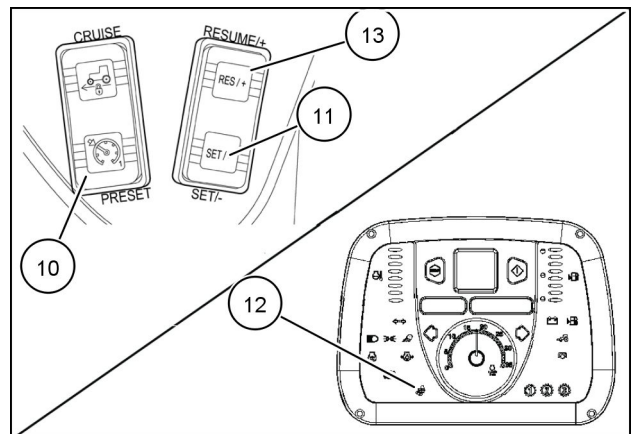
20103243 25

Press CRUISE PRESET switch (10) to ready cruise pre-set system.

NOTE: When cruise preset switch is in the "ON" position the switch will illuminate.

When the tractor is moving, press and hold the "Set/Decel" switch (11) until the cruise control indicator light (12) in the ADIC is illuminated. The tractor will proceed to the programmed speed, as long as engine speed is sufficient to reach programmed speed.

The "Resume/Accel" (13) or "Set/Decel" (11) switch can be used to increase or decrease transmission ratio and ground speed respectively.



20103246 26

For engine start:

Operator	Rear PTO	Mid PTO	Transmission	Park Brake	Condition
Out of Seat	Off	Off	Neutral	Engaged	Start
In Seat	Off	Off	Neutral	Engaged	Start
Out of Seat	Off	Off	Neutral	Disengaged	*Alarm/start
In Seat	Off	Off	Neutral	Disengaged	Start

*Alarm will sound but engine will still be able to start.

NOTE: The tractor will start if the PTO engagement switch is in the "ON" position, however, the PTO(s) will not operate until the PTO switch is cycled "OFF" to "ON".

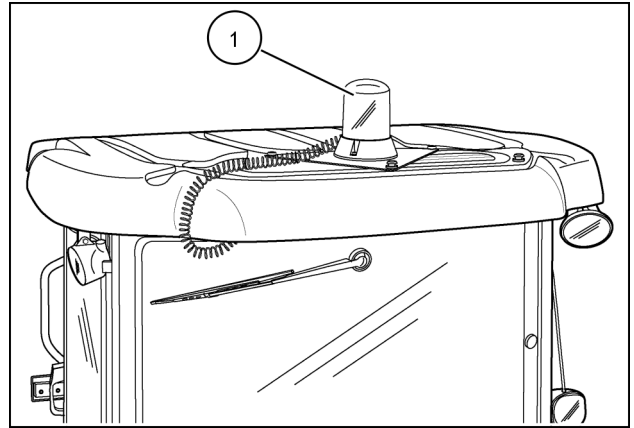
The following conditions are for when the engine is running and the operator gets out of the seat.

Rear PTO	Mid PTO	Transmission	Park Brake	Condition
Off	Off	Neutral	Disengaged	Alarm
On	Off	Neutral	Engaged	Alarm
Off	Off	In Gear	Either	*Shutdown
On	Off	In Gear	Either	*Shutdown
Either	On	Either	Either	*Shutdown

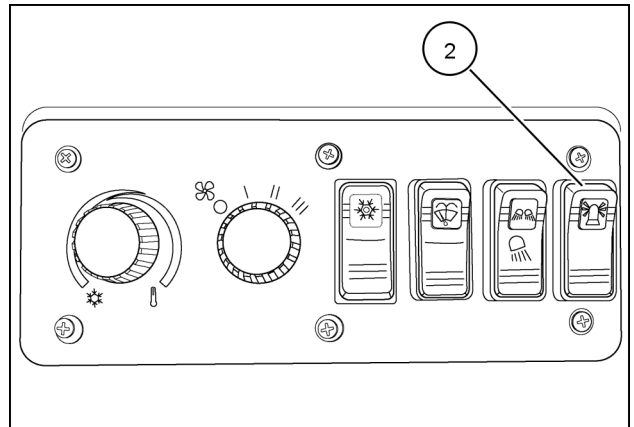
*Alarm will sound if park brake is disengaged.

Roof beacon (optional)

A removable, magnetic roof beacon light **(1)** is available as a dealer install accessory. The beacon light is controlled by toggle switch **(2)** located at upper left portion of cab.



86065592 7



86064000 8

7 - MAINTENANCE

GENERAL INFORMATION

Safety rules

General Information

Adequate lubrication and maintenance on a regular schedule is vital to maintaining your equipment. To ensure long service and efficient operation, follow the lubrication and maintenance schedules outlined in this manual. The use of proper fuels, oils, grease and filters, as well as keeping the systems clean, will also extend machine and component life.

NOTICE: Always use genuine Case IH replacement parts, oils and filters to ensure proper operation, filtration of engine and hydraulic systems. See your Case IH dealer for additional oil quantities.

Regular lubrication is the best insurance against delays and repairs. Proper lubrication will extend machine life. Refer to the following charts for lubricants and service intervals.

NOTICE: Failure to complete the required maintenance at the recommended intervals can cause unnecessary downtime.

The intervals listed in the Lubrication Chart are guidelines to be used when operating in normal conditions. Adjust the intervals for operating in adverse environmental and working conditions. The intervals should be shortened for sandy, dusty and extremely hot operating conditions.

⚠ CAUTION ⚠

Observe the following safety precautions before performing any lubrication or maintenance:

- Shut off engine
 - Disengage all drives
 - Engage park brake
 - Lower all attachments to the ground or raise and engage all safety locks
 - Close all shields that are opened and reinstall any shields removed for lubrication and maintenance purposes.
- Failure to comply may result in minor or moderate injury.

M1460

⚠ CAUTION ⚠

Do not operate the machine without all cutter bar shields down, cover skirts installed and in good condition, and cover skirts snapped together. Replace worn or damaged cover skirts. Failure to comply may result in minor or moderate injury.

M1449

Always clean the area around dipsticks, fill caps, and check plugs when checking fluid levels. Failure to clean these areas may allow contamination to enter the system. Drain, flush and refill the system anytime you suspect it is contaminated.

Grease Fittings

Wipe dirt from fittings before greasing.

Pump fresh grease into fitting to adequately lubricate the component and force out any contamination from the grease passage.

Wipe off excess grease.

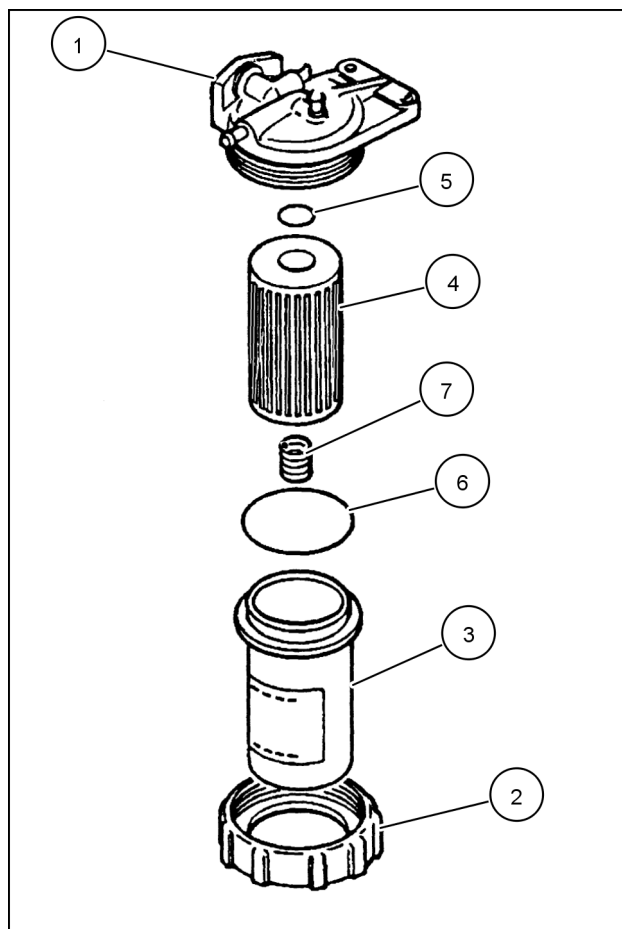
Use a grease gun containing clean high grade of multi-purpose grease.

FUEL AND INJECTION SYSTEM - Replace

Changing the fuel filter

NOTE: Change the diesel fuel filter after the first 50 hours of operation, then following every 300 operating hours thereafter.

1. Make sure there is adequate fuel in the fuel tank and close the fuel shutoff valve **(1)** (Turn the handle clockwise to the "OFF" position.)
2. Unscrew the retaining nut **(2)** and remove, empty, and clean the fuel sediment bowl **(3)**. Remove and set aside the filter element **(4)**, O-rings **(5)** and **(6)** and element retaining spring **(7)**.
3. Open the fuel shutoff valve to allow fuel to flow from the filter. Close the shutoff valve when all water has been removed and only fuel flows from the filter base.
4. Inspect the O-rings **(5)** and **(6)** and replace if necessary.
5. Discard the old element **(4)** and install a new element, with the upper O-ring **(5)**.
6. Install spring **(7)** between the bottom of the element and the fuel sediment bowl.
7. Reinstall the lower O-ring **(6)** and sediment bowl **(3)** securing with the retaining nut **(2)**.
8. Open the fuel shutoff valve **(1)** (turn the handle counter-clockwise to the "ON" position), so fuel will flow to the filter.
9. Bleed the fuel filter and injection pump as described below in "Bleeding the Fuel System."



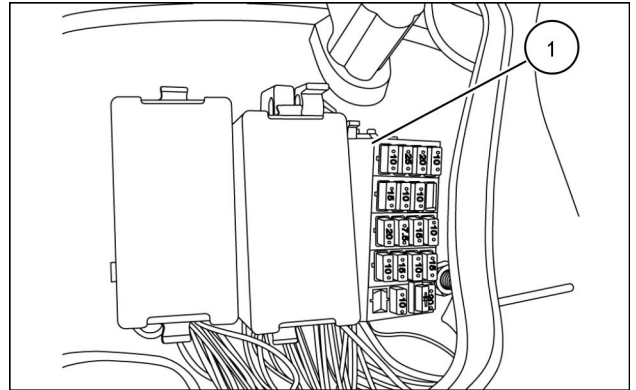
20103732 1

Fuse and relay box - Replace

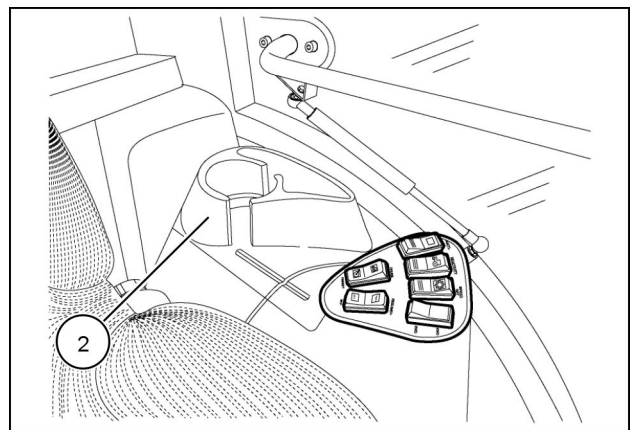
Tractor main fuse box

The tractor fuse box (1) is located underneath the beverage holder (2) of the left hand pod cover

NOTICE: Always replace a blown fuse with the size specified for that circuit.



93103895 1



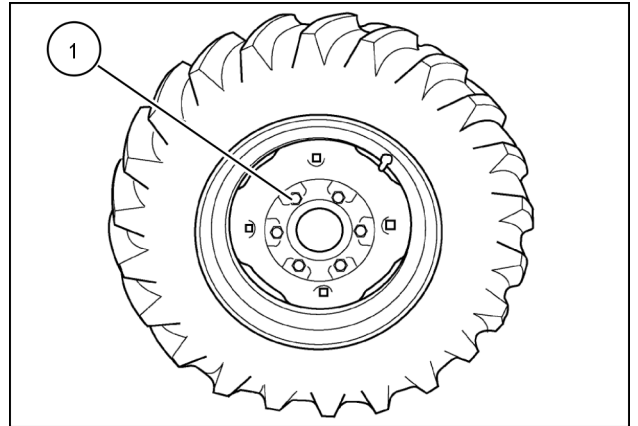
86083732 2

WHEELS AND TRACKS Wheels - Tighten

Wheel bolt torque

Tighten the wheel bolts (1) to the specified torque any time the wheel assembly is removed from the tractor or the wheel bolts are loosened.

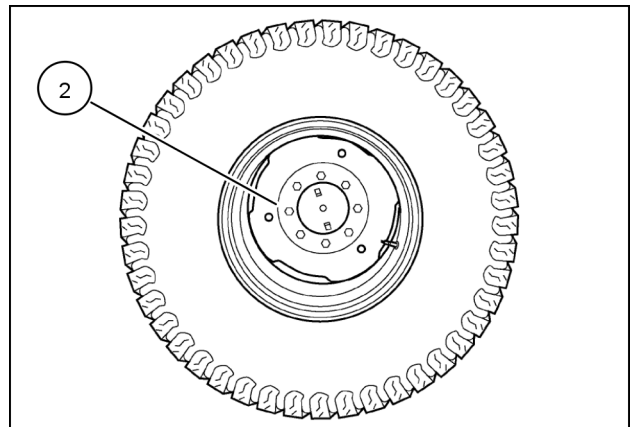
Front Wheel Torque: **129 N·m (95 lb ft)**.



10998328 1

Rear Wheel Torque: **129 N·m (95 lb ft)**.

Check wheel bolt (2) torque daily until torque stabilizes.



10998326 2

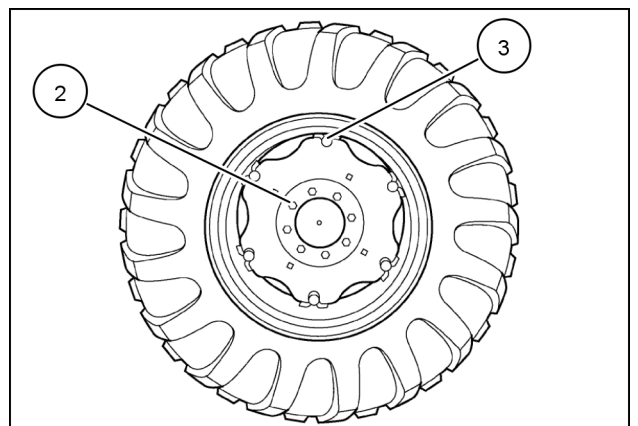
Rim to disc bolt torque

Tighten the rim to disc bolts (3) to the specified torque any time the wheel spacing is changed or bolts have been loosened.

Rear Disc Torque: **244 N·m (180 lb ft)**.

NOTICE: Check and tighten wheel bolts to proper torque specifications after the following hours of use:

- First 5 hours.
- First 50 hours.
- Every 200 hours.



10998327 3

CAB

Cab frame - Check

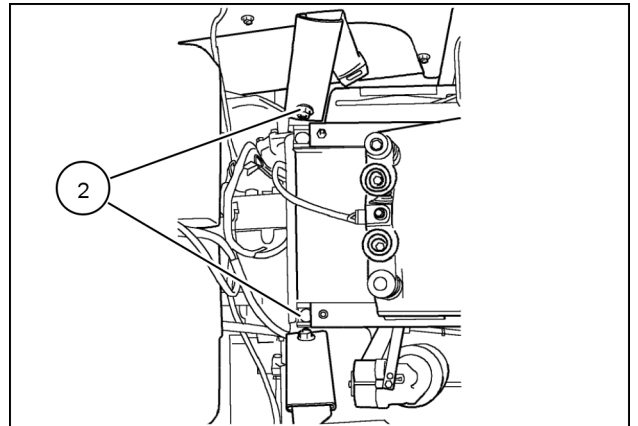
General Cab Maintenance

1. After completing external cab maintenance, as covered in **Maintenance Chart**, carry out the following inspections:
 - Periodically check that there is no water standing in areas covered with mats or padding.
 - Protect the hinges and locks on the doors, roof and opening windows with lubricants and water repellents.
 - Clean the windows with suitable detergents. If necessary, use sulfuric ether.
 - Remove the windscreen wiper blade and sprinkle talcum powder on the rubber surfaces.
 - Leave the doors partially open.

Seat belt - Check

Seat Belt Hardware

Inspect the operator's seat and the mounting parts for the seat belt. Tighten the bolts **(2)** to the correct torque of **47.4 N·m (35 lb ft)** if necessary and replace parts that show wear or damage.



30997564 1

WHEELS AND TRACKS Wheels - Weight

Tractor Weighting

For sufficient traction and maximum performance in heavy draft operations, and to counterbalance rear-mounted equipment, weight should be added to the tractor in the form of liquid ballast, cast iron weights, or a combination of both. Only enough weight should be added to provide good traction and stability. Adding more weight than is needed results in unnecessary soil compaction, increased rolling resistance, and higher fuel consumption.

NOTE: *When adding weight to the tractor, tire pressures may need to be increased. Refer to the Tire Inflation Pressure chart found in this manual.*

Weighting for Stability

Front end ballast may be required for stability and steering control when weight is transferred from the front wheels to the rear wheels as an implement is raised by the tractor three-point hitch.

As a general guide:

Ballast the tractor (less implement) so that approximately one-third of the tractor weight is on the front wheels. For

optimum traction, tractors equipped with front-wheel drive should be ballasted so that 40-45% of machine weight is on the front wheels.

When a mounted implement is raised to the transport position, the front wheel reaction should be at least 20% of tractor weight.

Add additional front end ballast as required for stability during operation and transport. Tractor front end ballast may not always maintain satisfactory stability if the tractor is operated at high speed on rough terrain. Reduce tractor speed and exercise caution under these conditions.

When using front-mounted equipment, add weight to the rear axle to maintain good traction and stability. Front-mounted equipment varies in weight. Refer to equipment manual for ballasting.

Weighting Limitations

The weighting limitations that follow are limitations only. They do not imply that the tractor should be weighted to attain the weights given. Use only enough weight to obtain good performance.

9 - ACCESSORIES

Front ballasting - Install

Cast Iron Weights (Optional)

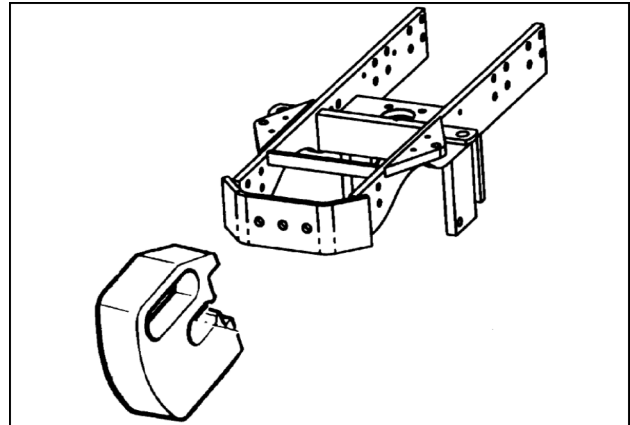
Cast iron weights are available as accessories from your Case IH Dealer. Weights can be mounted on the front end of the tractor and on the rearmost wheels.

60 lb - #710215016

100 lb - #718215036

Front Weights

Tire Type	Weight(s)
Agricultural, Turf, & Industrial	Maximum of (2) weights per tractor @ 27 kg (60 lb) each 54 kg (120 lb) total Optional: (2) weights @ 45 kg (100 lb) each 90 kg (200 lb) total



20103728 1

Front Weight Extension Mounting Bracket #718233006 (Optional)

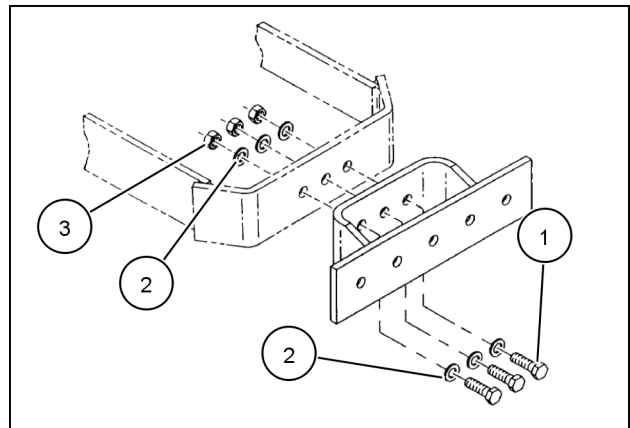
An extension mounting bracket is available, which can be installed on the front of the tractor frame. The extension mounting bracket is used if more than two front end weights are needed for counterbalancing. When the extension bracket is installed, a maximum of (5) front weights can be installed.

Standard Axle Weight options:

(5) **60 lb** weights, for a maximum of **300 lb**.

(5) **100 lb** weights, for a maximum of **500 lb**.

NOTE: The front extension mounting bracket, is compatible with a front grill guard but not with an LX350 or L350 loader, if installed.



20035020 2

Extension Bracket (Mounting Hardware)

Item	Qty.	Description
1	3	5/8 in x 2 Hex Head Bolt
2	6	5/8 in Flat Washer
3	3	5/8 in Nut

CLICK HERE TO **DOWNLOAD** THE COMPLETE MANUAL

- Thank you very much for reading the preview of the manual.
- You can download the complete manual from: www.heydownloads.com by clicking the link below



- Please note: If there is no response to CLICKING the link, please download this PDF first and then click on it.

CLICK HERE TO **DOWNLOAD** THE COMPLETE MANUAL