
TABLE OF CONTENTS

018	ENGINE - RADIATOR, HOSES, AND MOUNTING PARTS
020	ENGINE - AIR CLEANER - AIR PRE-CLEANER
021A	ENGINE - AIR CLEANER STARTING FROM NO. 3.938.266
022	ENGINE - AIR CLEANER
024	ENGINE - MUFFLER AND EXHAUST SYSTEM
026	ENGINE - MOUNTING AND PUMP COUPLING
028	ENGINE - MANIFOLDS
030	ENGINE - WATER PUMP AND FAN
032	ENGINE - CYLINDER HEAD AND COVER
034	ENGINE - CAMSHAFT, VALVES AND TIMING GEARS
036	ENGINE - CYLINDER BLOCK
038	ENGINE - CYLINDER BLOCK, GASKETS AND COVERS
040	ENGINE - OIL PAN, SUMP FRAME, AND FLYWHEEL HOUSING
042	ENGINE - PISTONS, CRANKSHAFT, AND FLYWHEEL
046	ENGINE - OIL PUMP AND OIL FILTER
048	FUEL TANK AND FUEL LINES
050	THROTTLE CONTROL - FRONT
052	THROTTLE CONTROL - REAR
054	FUEL TIMING RETARD CONTROL
056	ENGINE - FUEL INJECTION PUMP, INJECTORS AND PIPES
058	ENGINE - FUEL FEED PUMP, FILTERS, AND PIPES
059A	ENGINE - COLD START SYSTEM
060	ALTERNATOR AND MOUNTING PARTS
062	ENGINE COMPRESSOR DRIVE AND MOUNTING PARTS
064	ENGINE - COMPRESSOR FOR AIR CONDITIONER
066	BATTERY AND ENGINE ELECTRICAL CIRCUIT
068	MAIN WIRING HARNESS AND CONNECTIONS
070	INSTRUMENT PANEL AND COVERS
072	INSTRUMENT CLUSTER
074	ELECTRIC HOURMETER CIRCUIT
076	POWER SHUTTLE ELECTRICAL CIRCUIT
077A	POWER SHUTTLE NEUTRAL START DEVICE
078	TRACTOR LAMP CIRCUIT - WITHOUT CANOPY OR CAB
080	TRACTOR LAMP CIRCUIT - WITH CANOPY
082	TRACTOR LAMP CIRCUIT - WITH CAB NO. 3.808.596
083A	TRACTOR LAMP CIRCUIT - WITH CAB STARTING FROM NO. 3.808.597

CLICK HERE TO **DOWNLOAD** THE COMPLETE MANUAL

- Thank you very much for reading the preview of the manual.
- You can download the complete manual from: www.heydownloads.com by clicking the link below



- Please note: If there is no response to CLICKING the link, please download this PDF first and then click on it.

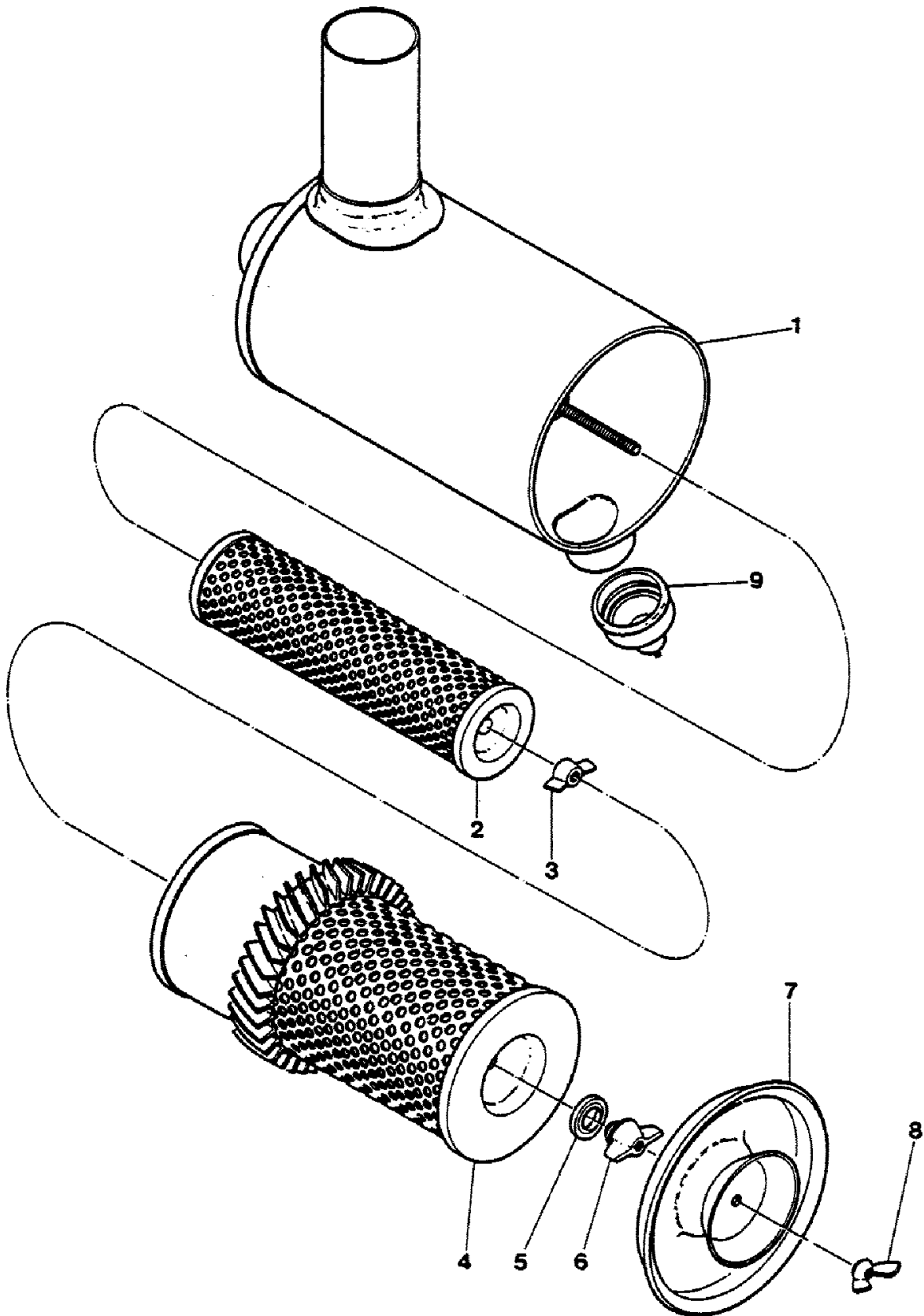
CLICK HERE TO **DOWNLOAD** THE COMPLETE MANUAL

SECTION INDEX

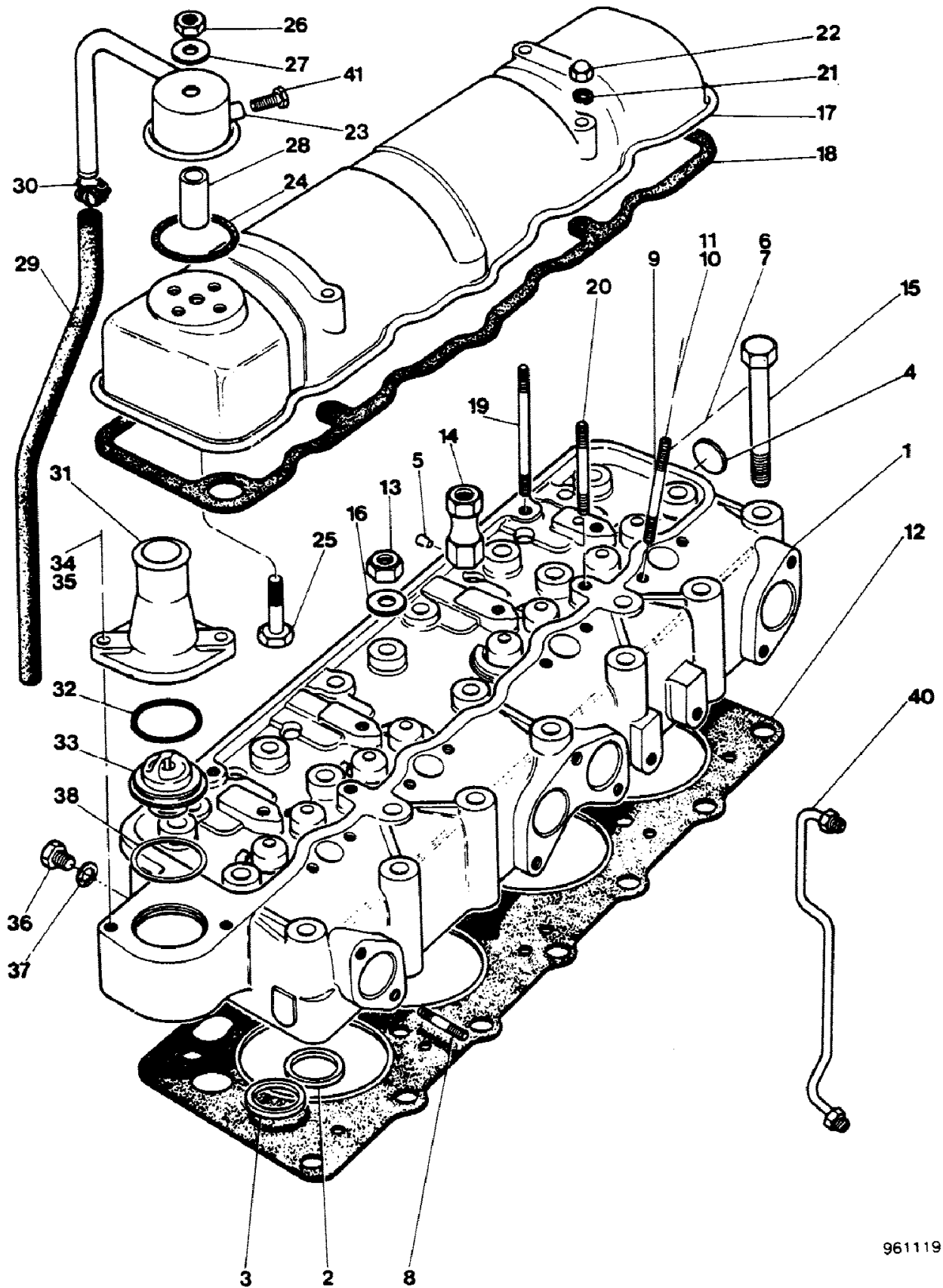
ENGINE

018	ENGINE - RADIATOR, HOSES, AND MOUNTING PARTS
020	ENGINE - AIR CLEANER - AIR PRE-CLEANER
021A	ENGINE - AIR CLEANER STARTING FROM NO. 3.938.266
022	ENGINE - AIR CLEANER
024	ENGINE - MUFFLER AND EXHAUST SYSTEM
026	ENGINE - MOUNTING AND PUMP COUPLING
028	ENGINE - MANIFOLDS
030	ENGINE - WATER PUMP AND FAN
032	ENGINE - CYLINDER HEAD AND COVER
034	ENGINE - CAMSHAFT, VALVES AND TIMING GEARS
036	ENGINE - CYLINDER BLOCK
038	ENGINE - CYLINDER BLOCK, GASKETS AND COVERS
040	ENGINE - OIL PAN, SUMP FRAME, AND FLYWHEEL HOUSING
042	ENGINE - PISTONS, CRANKSHAFT, AND FLYWHEEL
046	ENGINE - OIL PUMP AND OIL FILTER

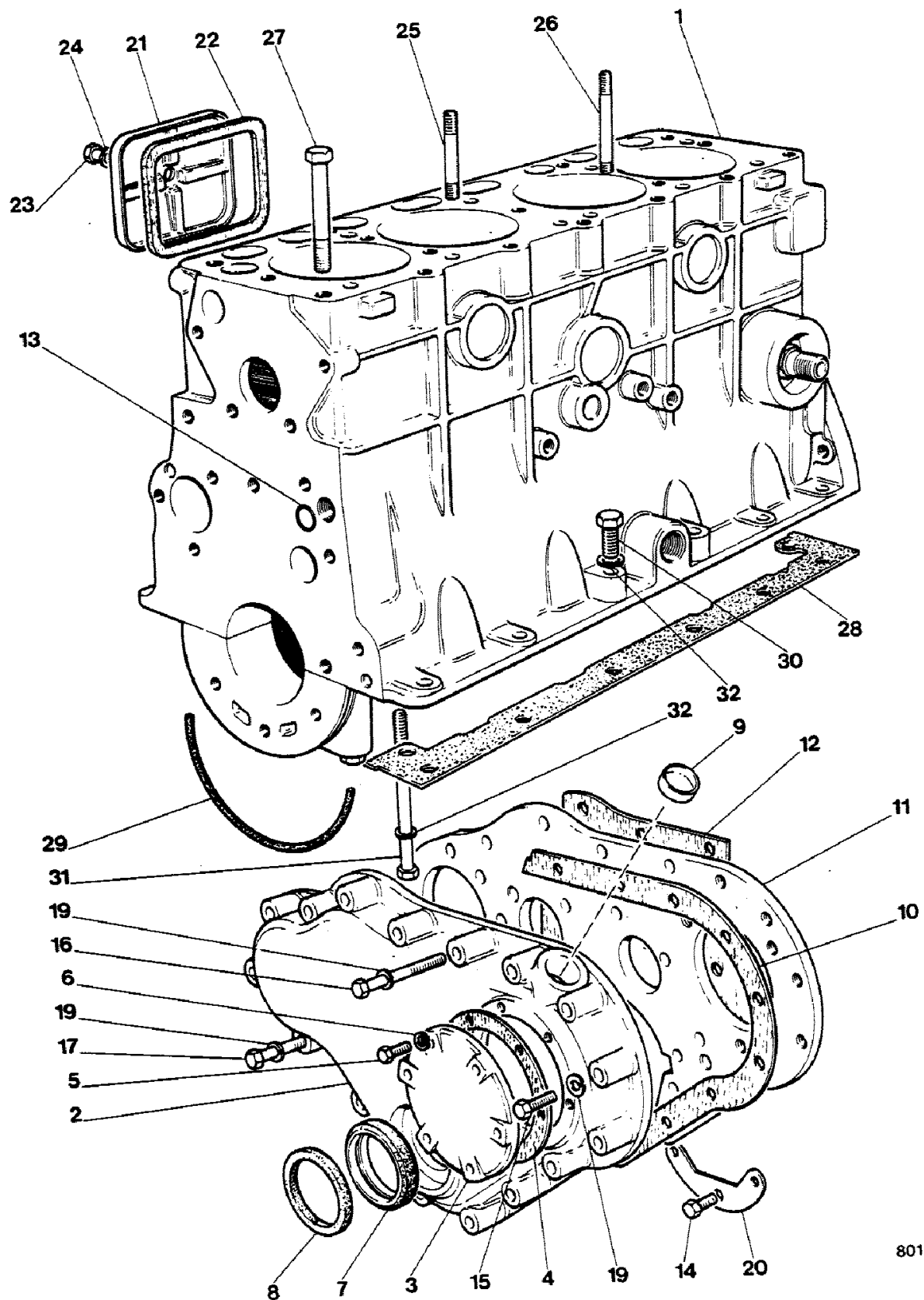
ENGINE - AIR CLEANER



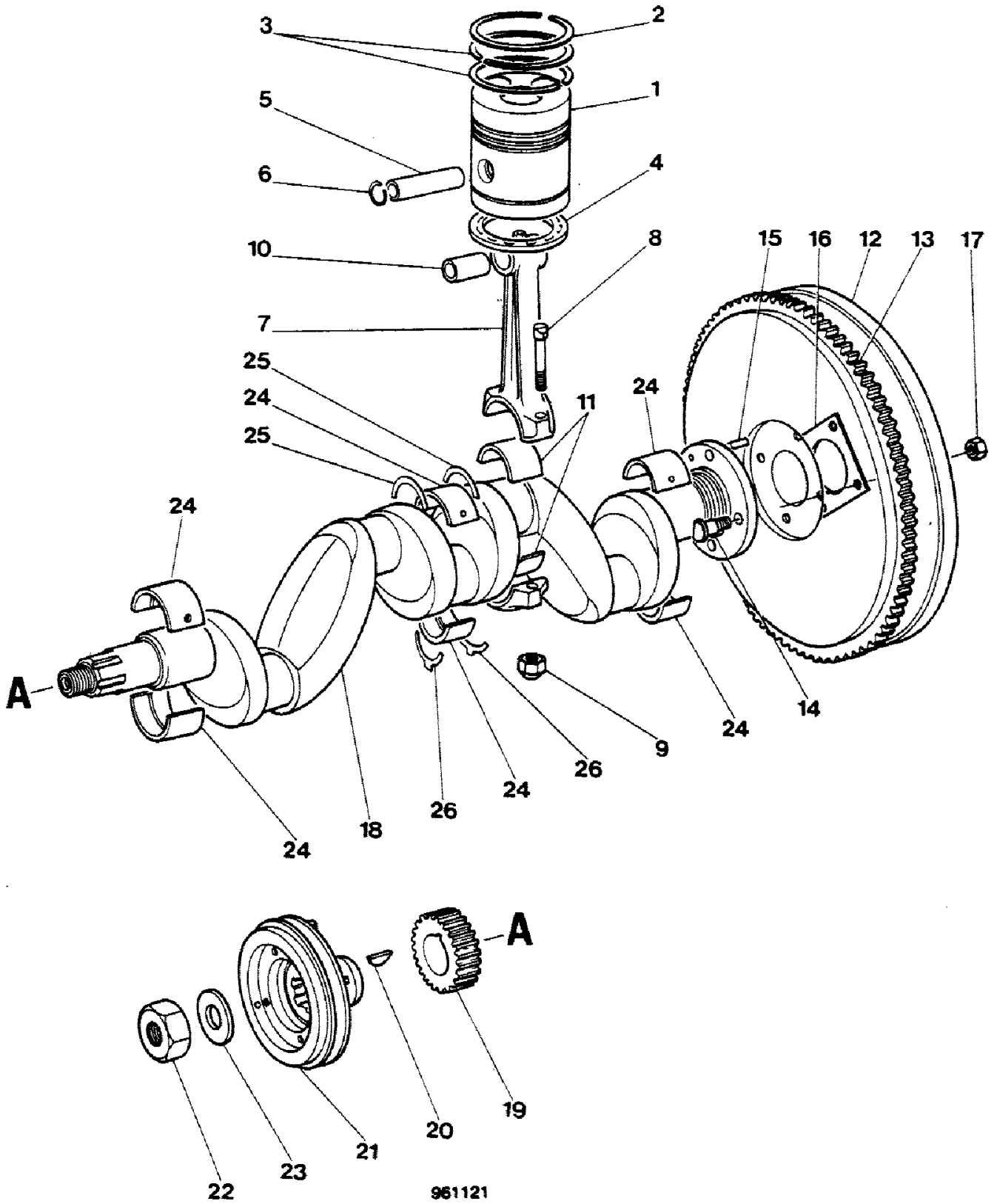
ENGINE - CYLINDER HEAD AND COVER



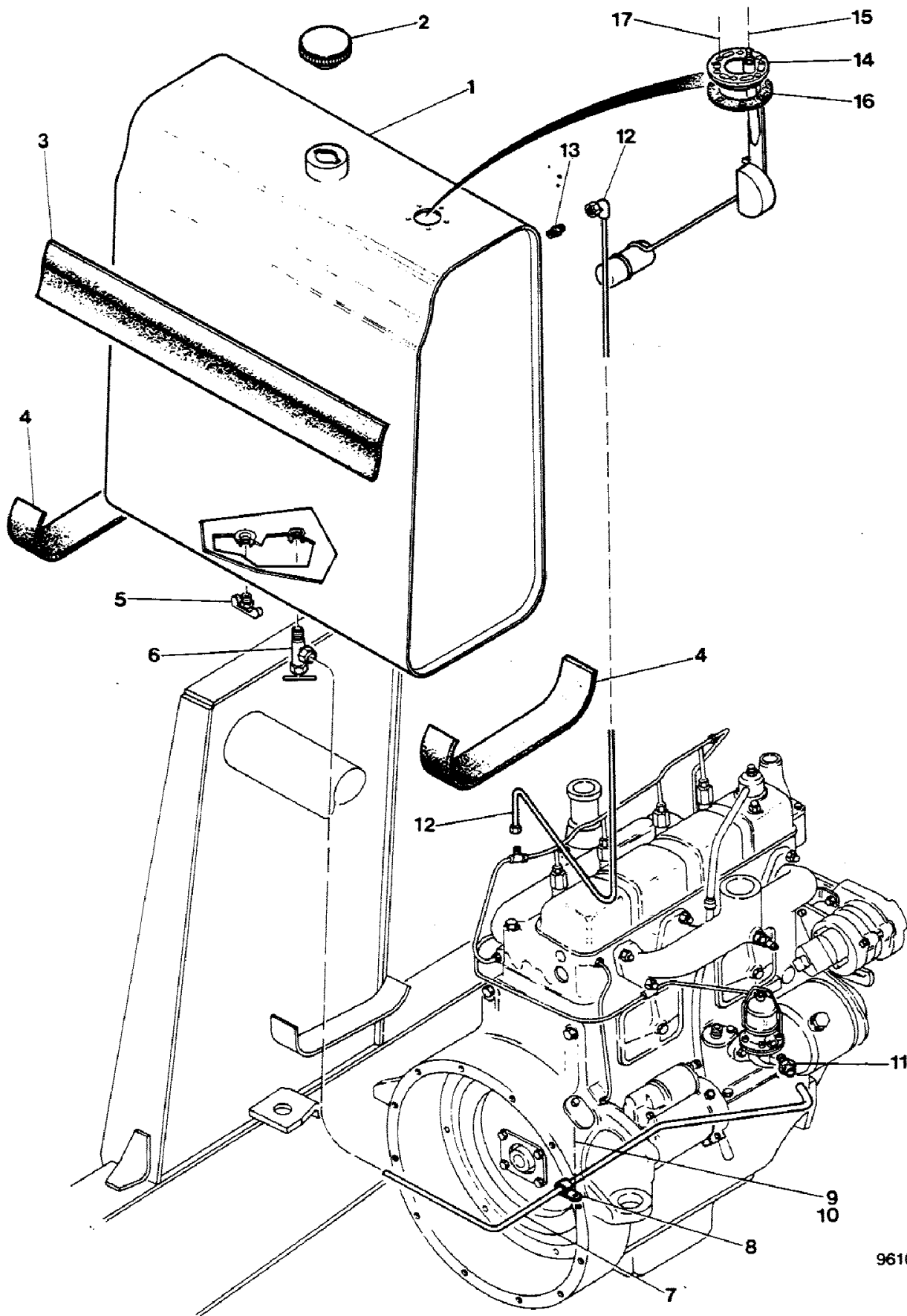
ENGINE - CYLINDER BLOCK, GASKETS AND COVERS



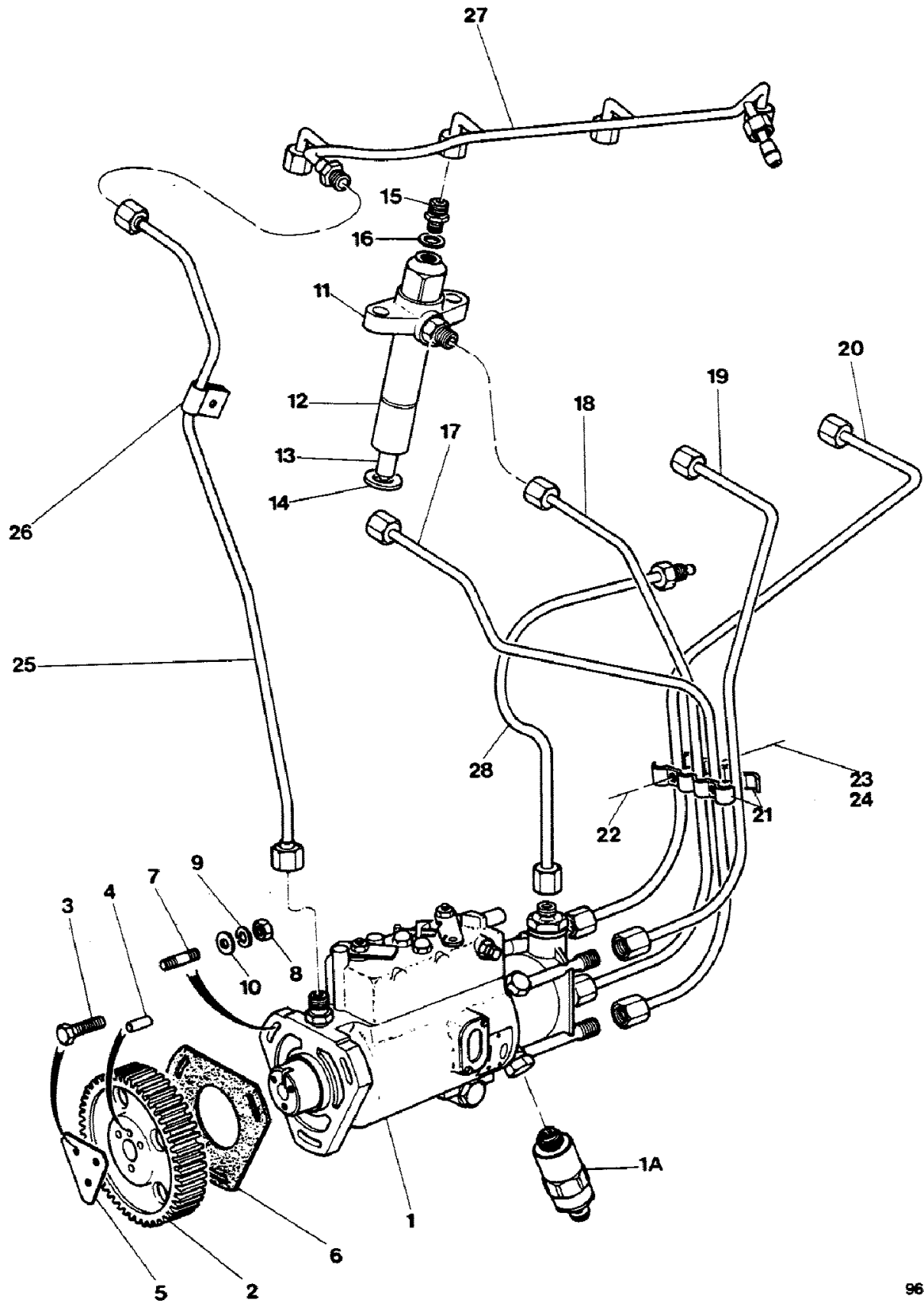
ENGINE - PISTONS, CRANKSHAFT, AND FLYWHEEL



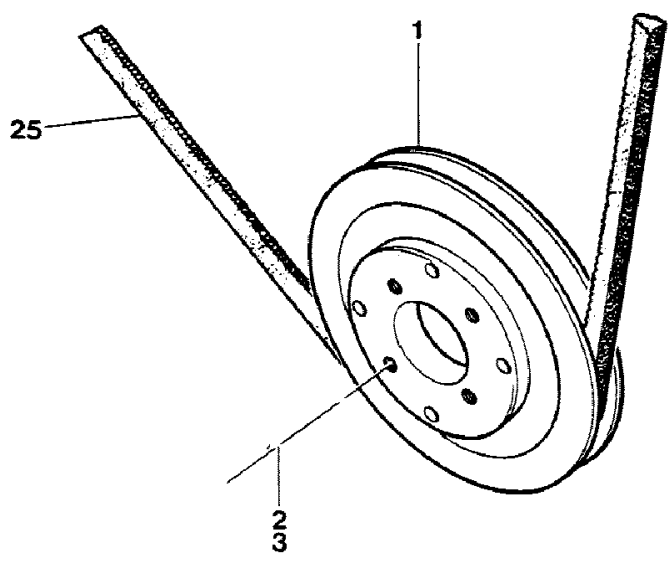
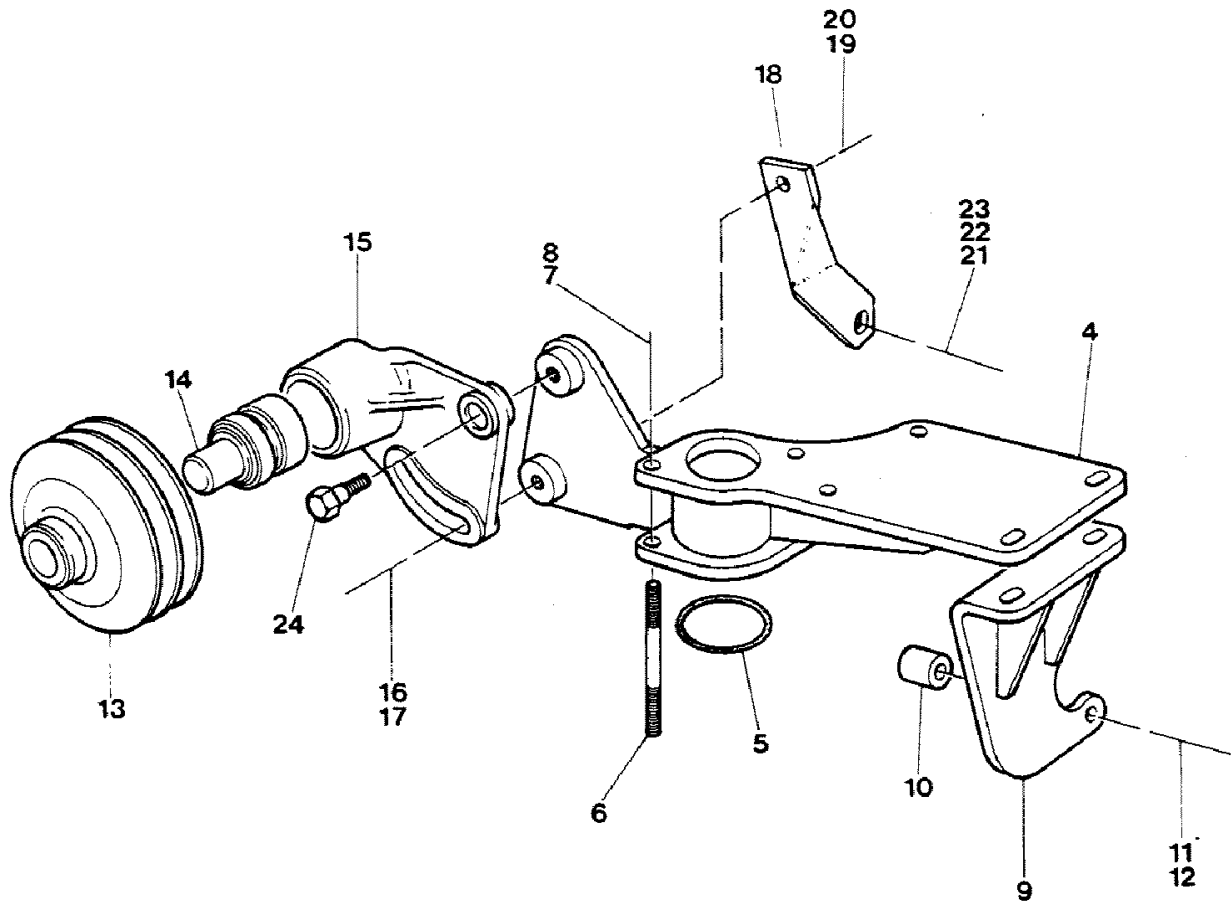
FUEL TANK AND FUEL LINES



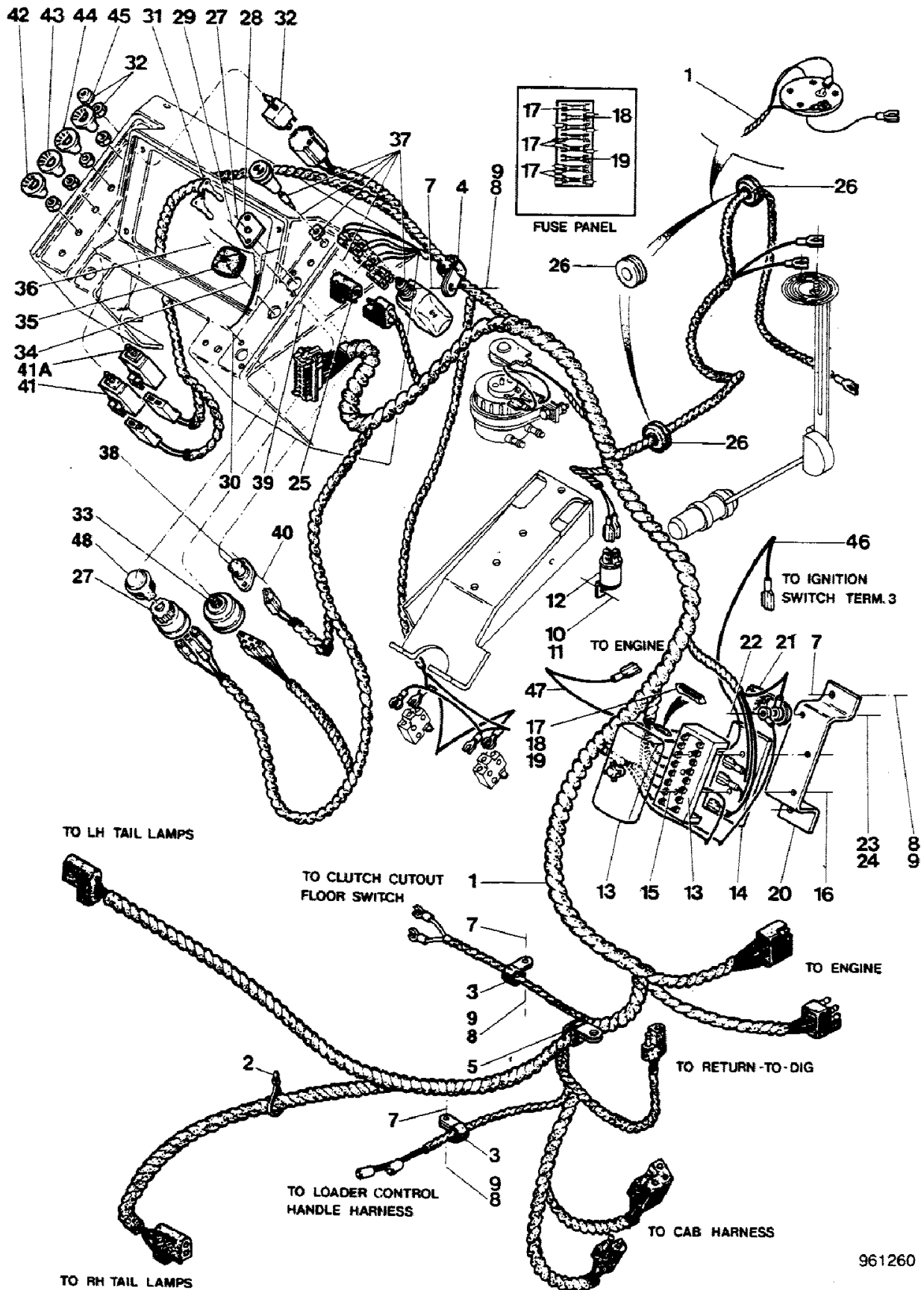
ENGINE - FUEL INJECTION PUMP, INJECTORS AND PIPES



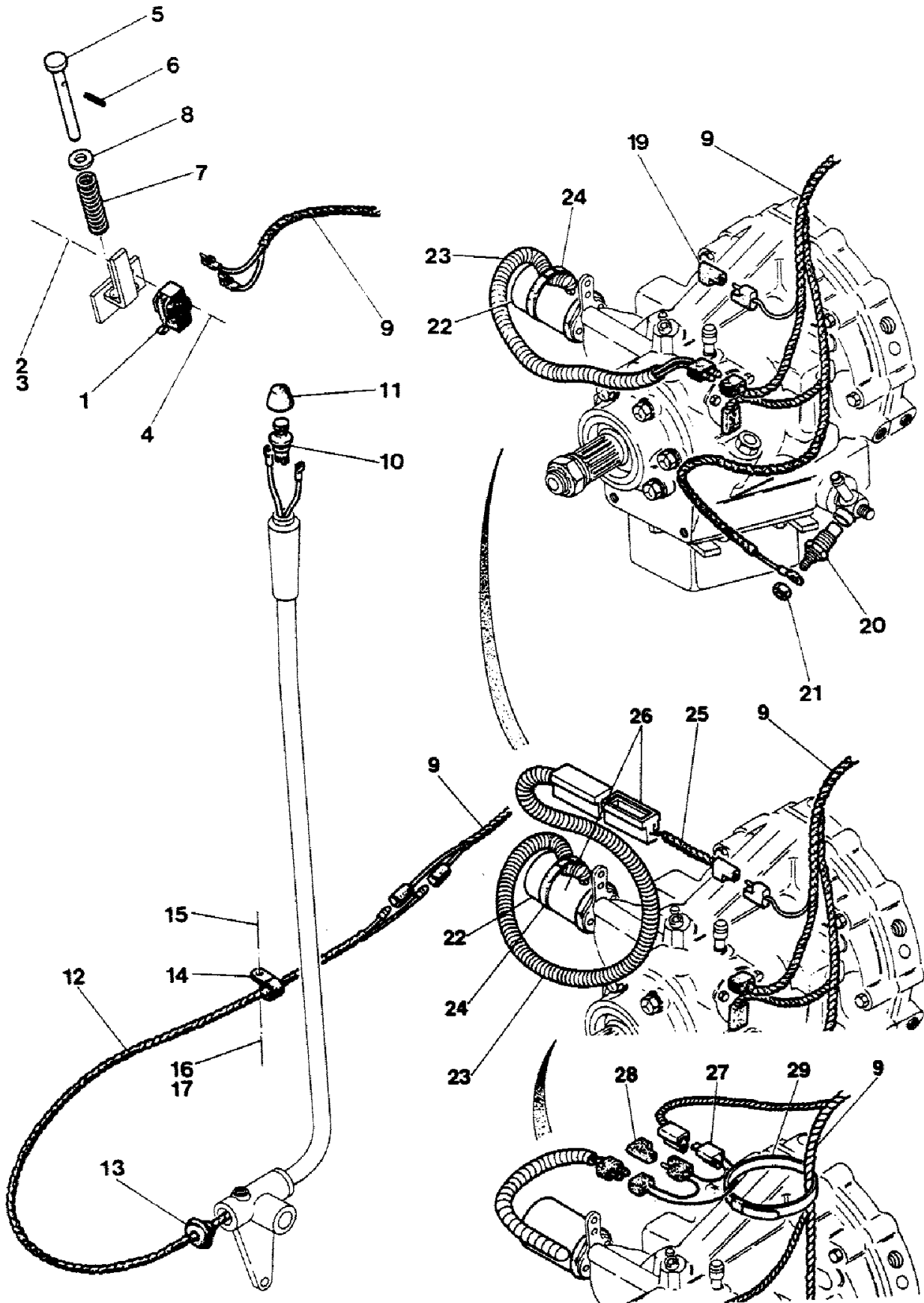
ENGINE COMPRESSOR DRIVE AND MOUNTING PARTS



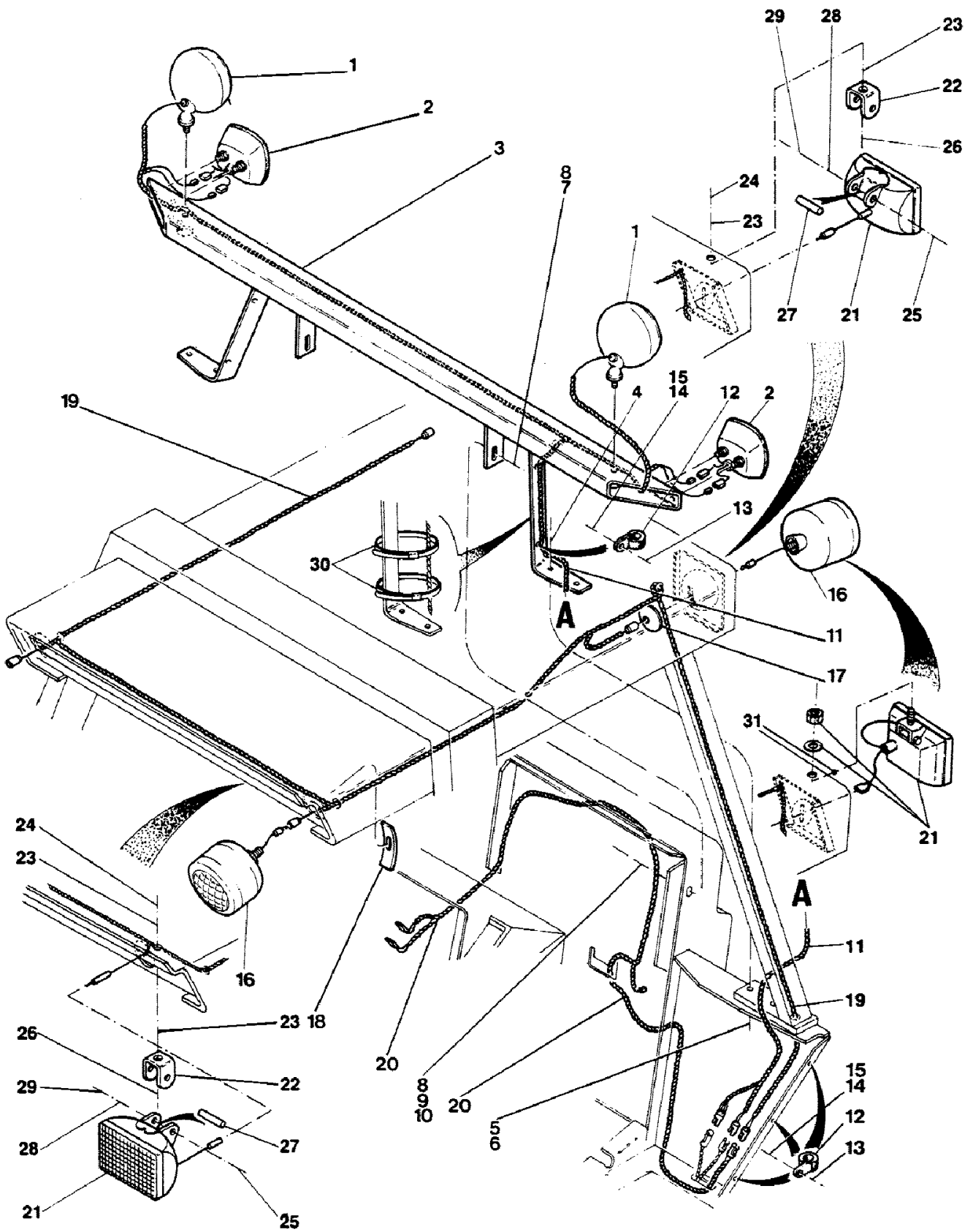
MAIN WIRING HARNESS AND CONNECTIONS



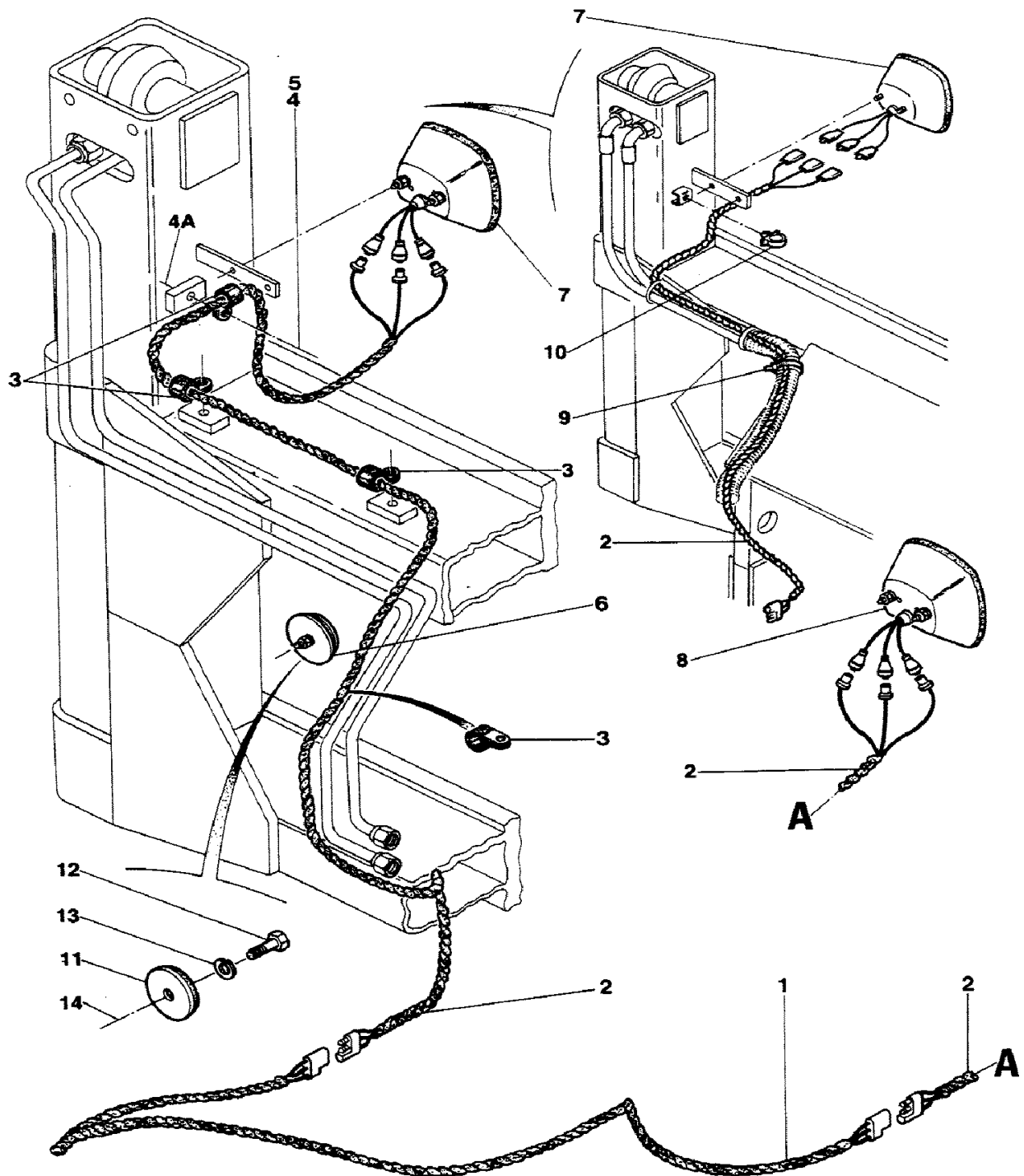
POWER SHUTTLE ELECTRICAL CIRCUIT



TRACTOR LAMP CIRCUIT - WITH CANOPY



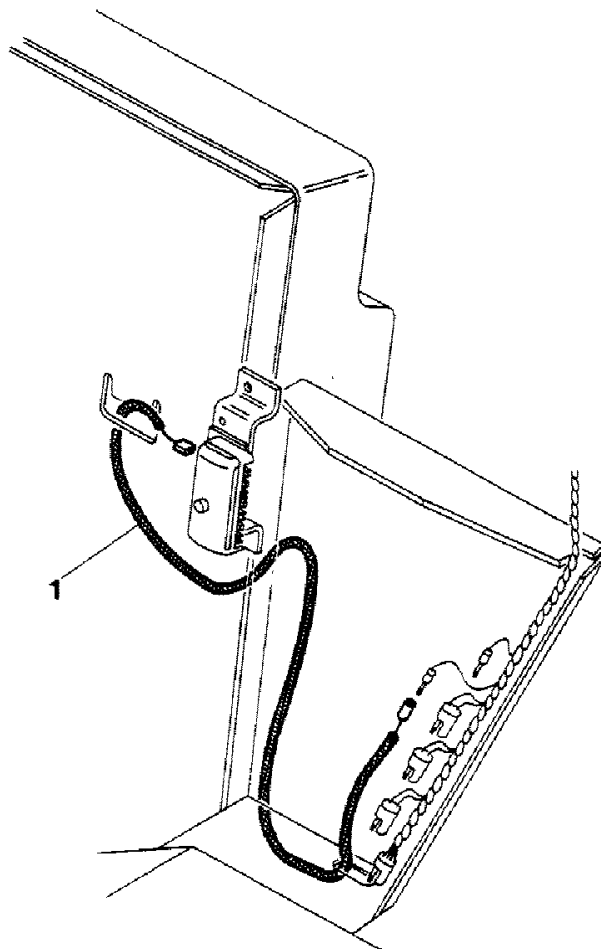
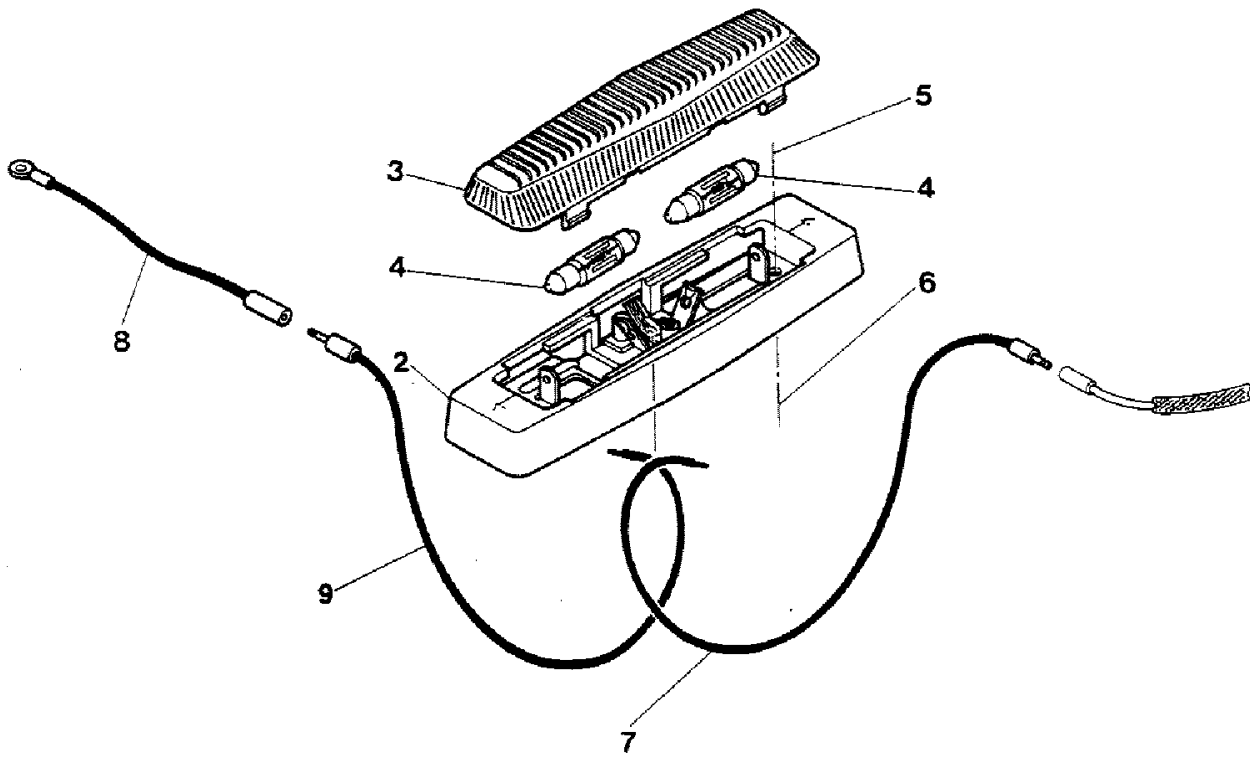
REAR SIGNAL LAMPS - SIDESHIFT BACKHOE UP TO NO. 3.948.949



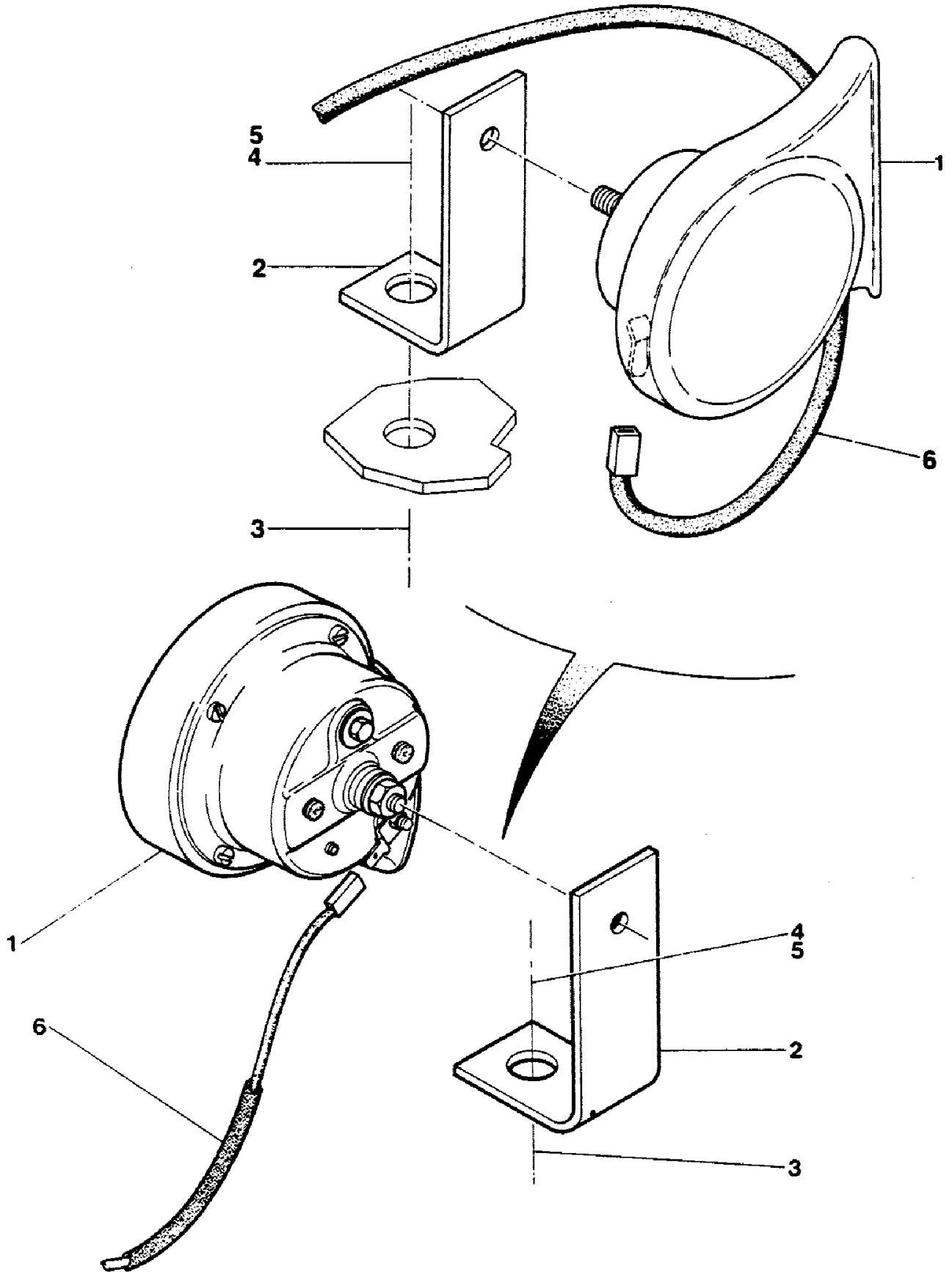
961349

See other option Figure 536

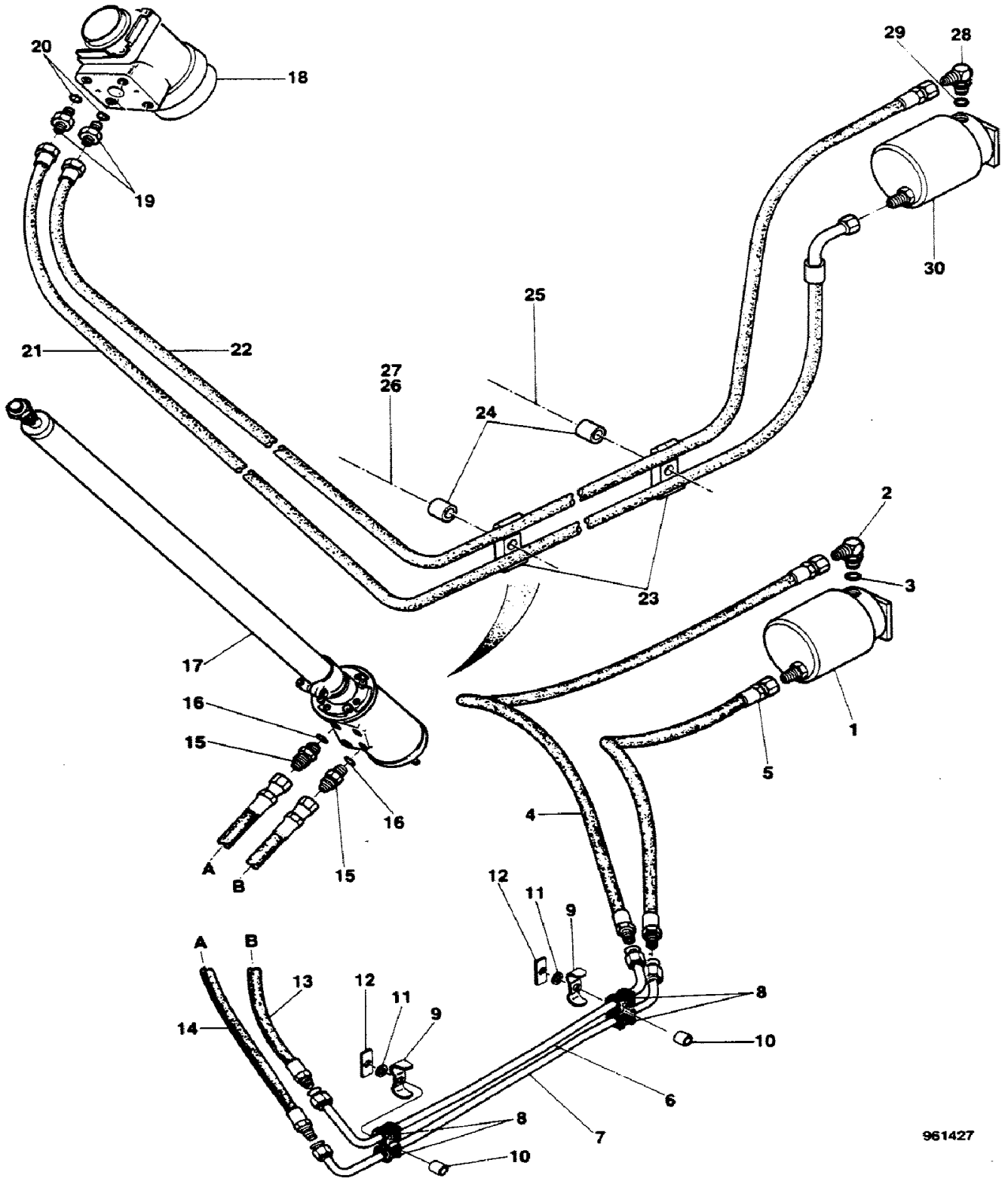
TRACTOR LAMPS - DOME LAMP UP TO NO. 3.808.596



ELECTRIC HORN



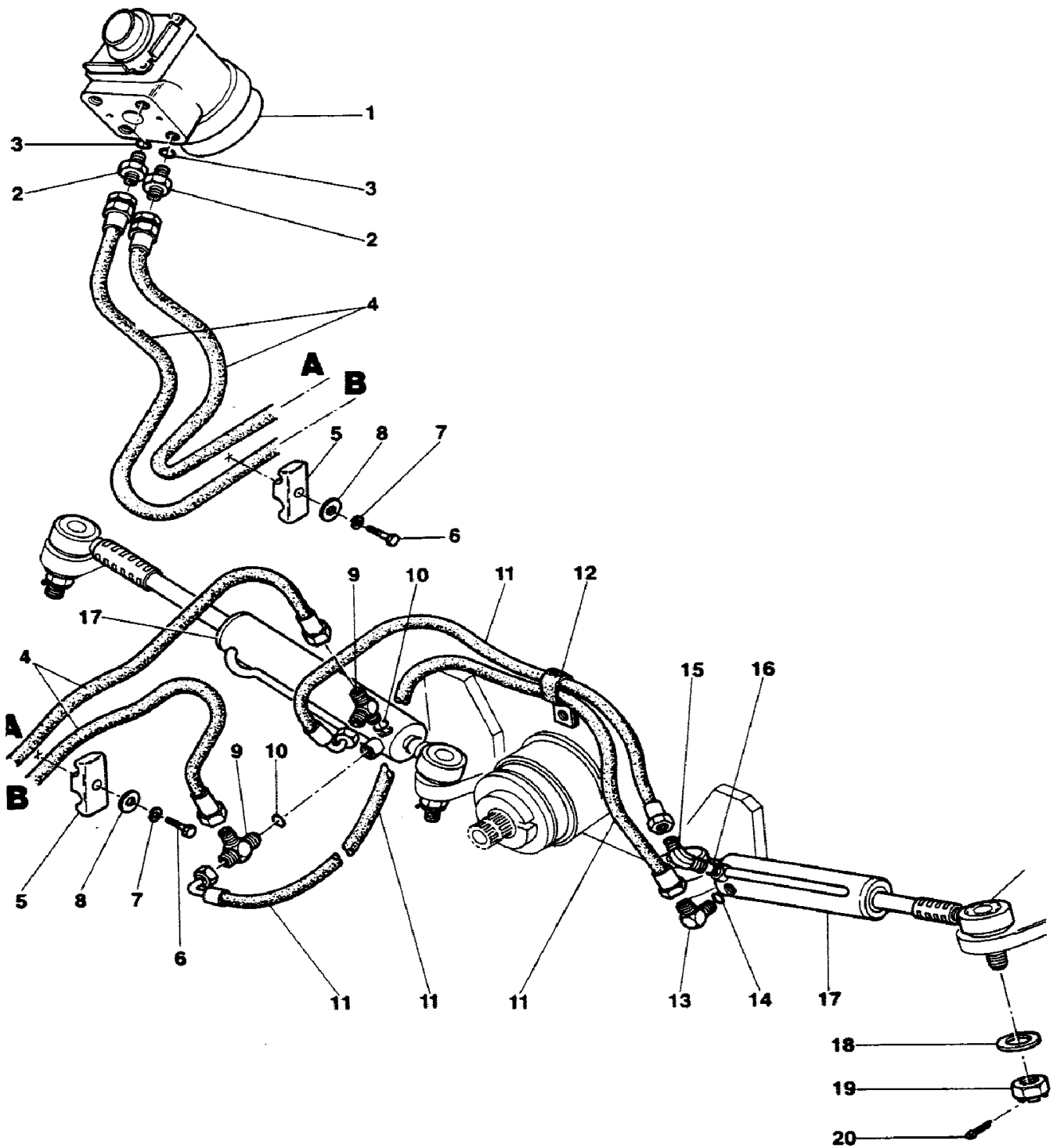
STEERING HYDRAULIC CIRCUIT - STEERING PUMP TO MANUAL, STEERING PUMP



961427

See other option figure 534

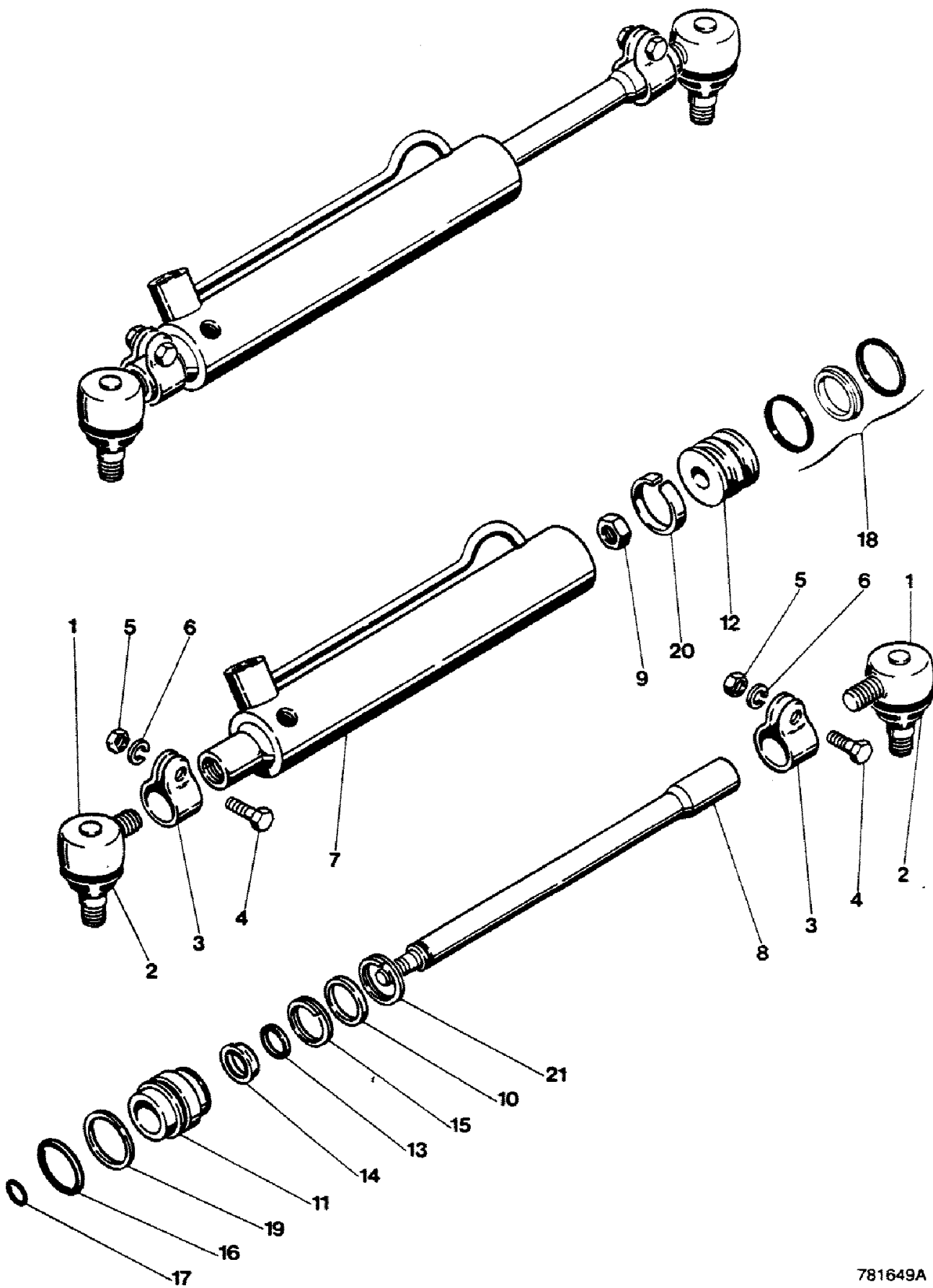
STEERING CYLINDER HYDRAULIC CIRCUIT - 4 WHEEL DRIVE



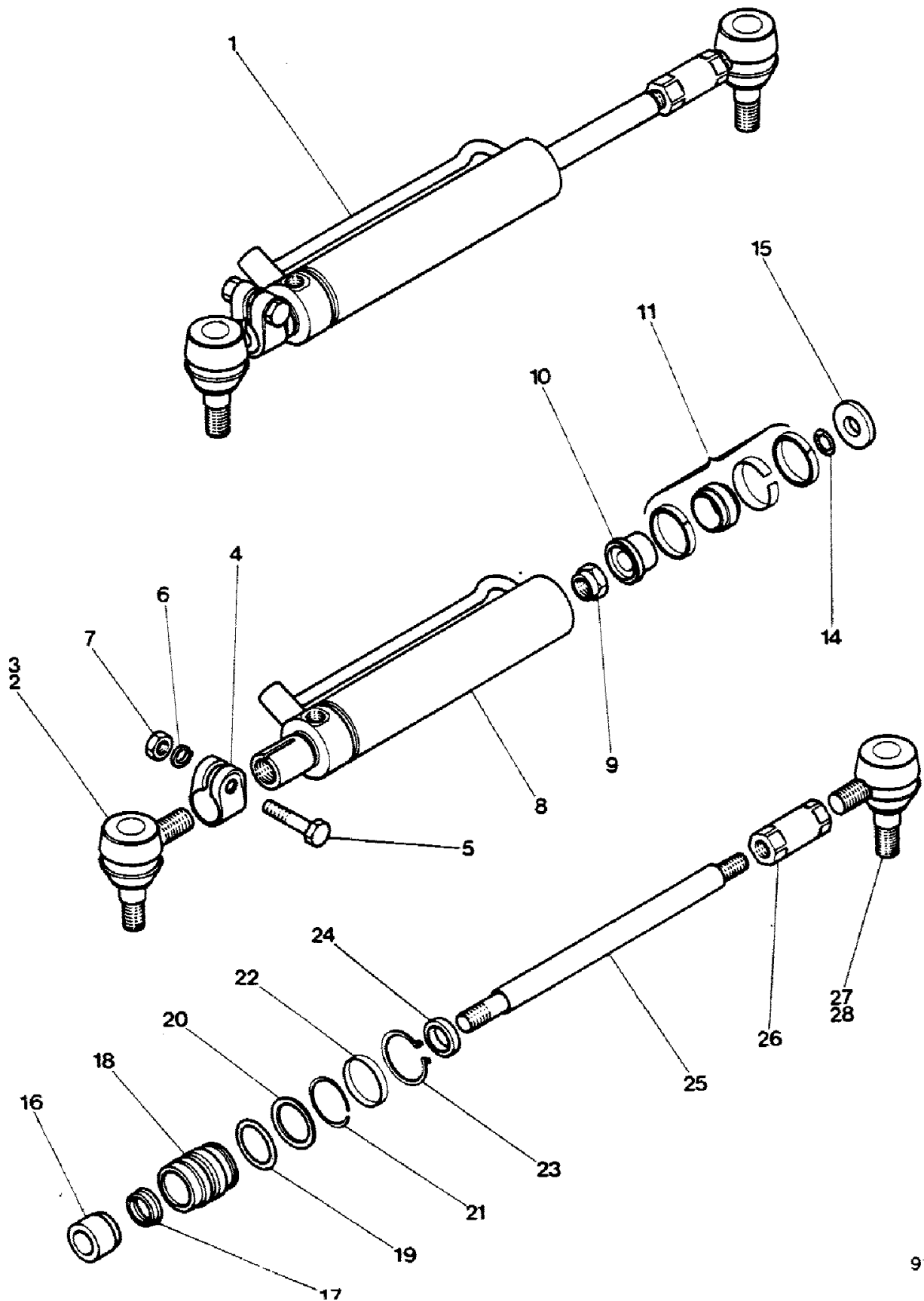
961429

Starting from No. 3.989.730 D And Starting from No. 3.989.989 Other countries

STEERING CYLINDER - 2 WHEEL DRIVE



STEERING CYLINDERS - 4 WHEEL DRIVE

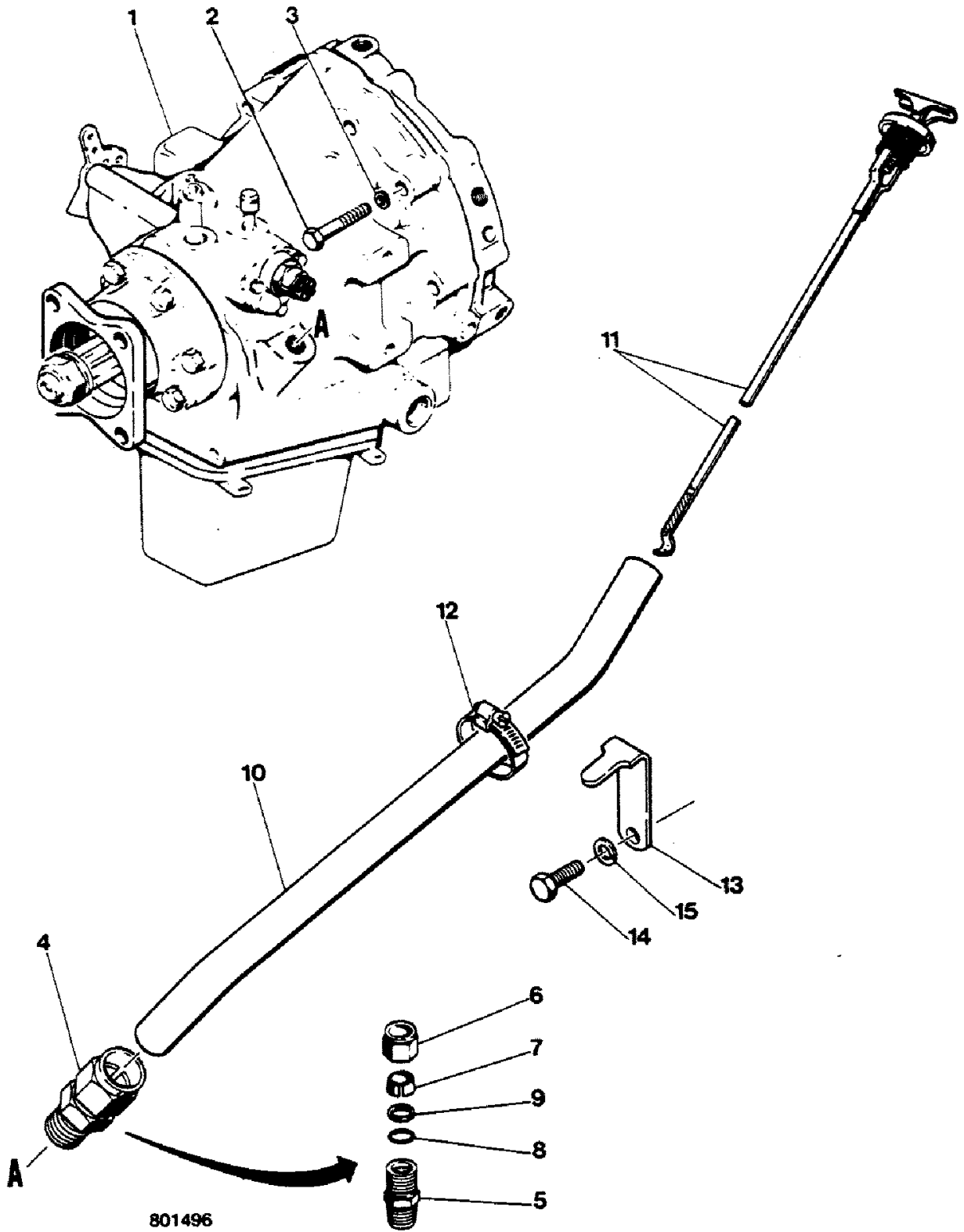


SECTION INDEX

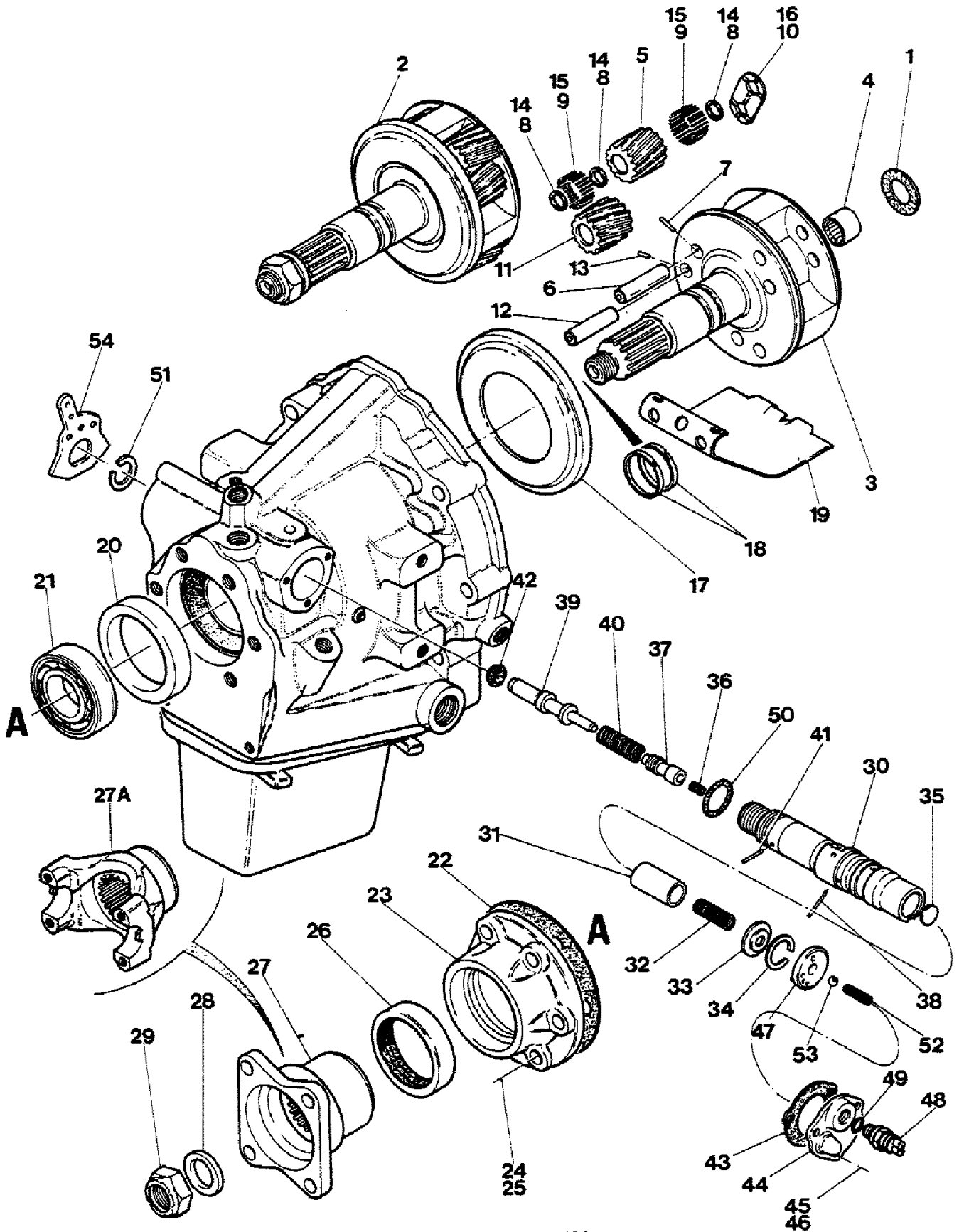
POWER TRAIN

132	REAR WHEELS AND TIRES
134	TORQUE CONVERTER AND TACHOMETER DRIVE
136	POWER SHUTTLE - COOLING SYSTEM
138	POWER SHUTTLE - MOUNTING AND DIPSTICK
140	POWER SHUTTLE - HOUSING AND OIL PAN
142	POWER SHUTTLE - PINION CAGE, OUTPUT SHAFT, AND CONTROL VALVE
146	POWER SHUTTLE - INPUT AND FORWARD CLUTCH
148	POWER SHUTTLE - CHARGING PUMP AND REVERSE CLUTCH
150	SHUTTLE CONTROL AND LINKAGE
152	DRIVE SHAFT - POWER SHUTTLE TO TRANSAXLE
154	TRANSAXLE MOUNTING AND DIFFERENTIAL LOCK CONTROL
156	TRANSAXLE - REAR AXLE HOUSING
158	TRANSAXLE - GEARBOX CASE
160	TRANSAXLE - GEAR SELECTOR MECHANISM
162	TRANSAXLE - SHAFTS AND GEARS FOR GEARBOX
164	TRANSAXLE - DIFFERENTIAL
166	TRANSAXLE - DIFFERENTIAL LOCK
168	TRANSAXLE - FINAL DRIVE HOUSING
170	TRANSAXLE - SHAFTS AND GEARS FOR FINAL DRIVES
172	TRANSAXLE - BRAKES AND BRAKE LINKAGE
174	TRANSAXLE - TRANSMISSION BRAKE IF USED
176	FRONT DRIVE AXLE - CONTROL AND DRIVE PARTS
177A	FRONT DRIVE AXLE - DRIVESHAFT SHIELD
178	FRONT DRIVE AXLE - TRANSFER CASE
180	FRONT DRIVE AXLE - DRIVE SHAFT
182	FRONT DRIVE AXLE-HOUSING AND TIE ROD
184	FRONT DRIVE AXLE - SWIVEL HOUSINGS
186	FRONT DRIVE AXLE - DIFFERENTIAL
190	FRONT DRIVE AXLE - AXLE SHAFT AND PLANETARY

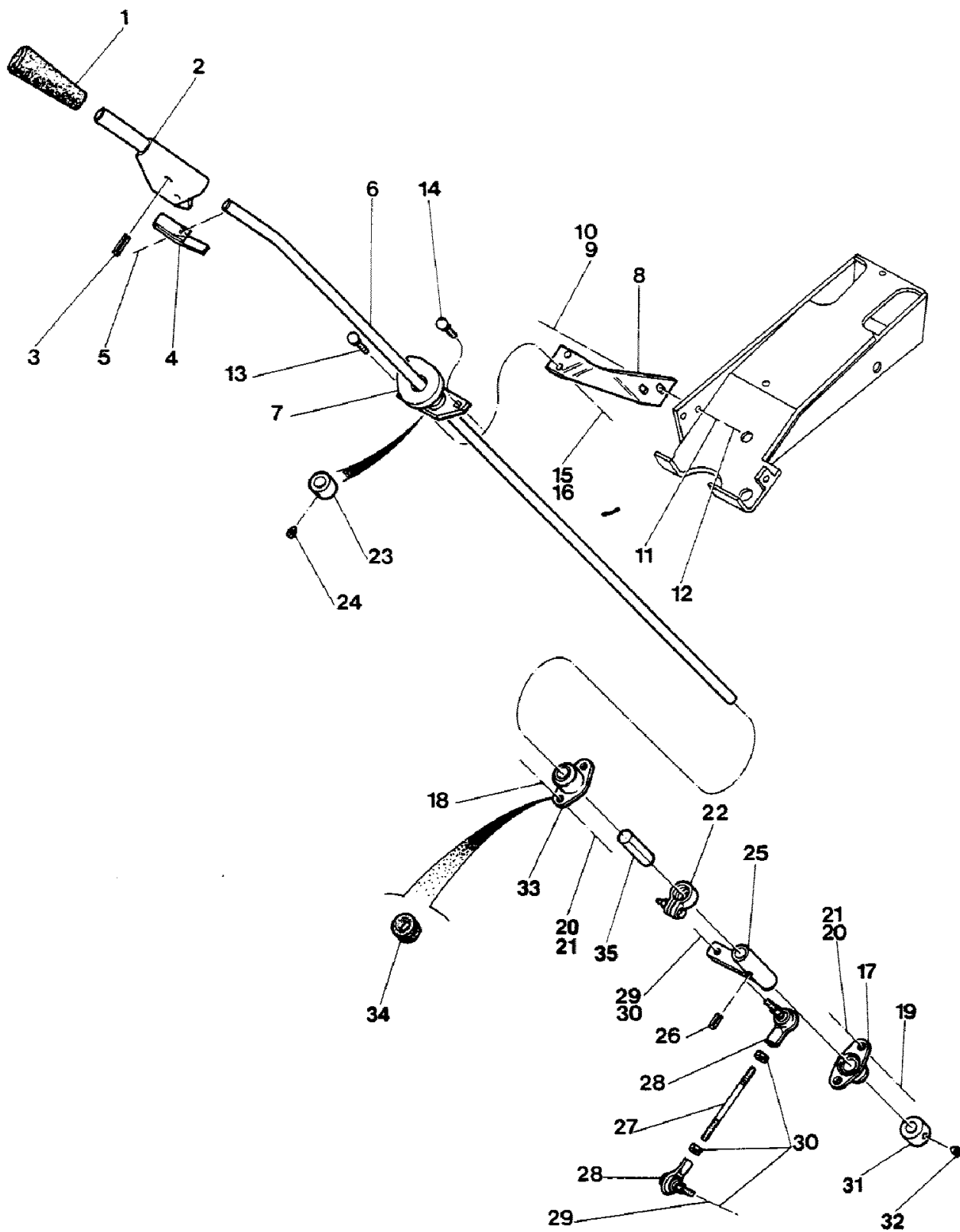
POWER SHUTTLE - MOUNTING AND DIPSTICK



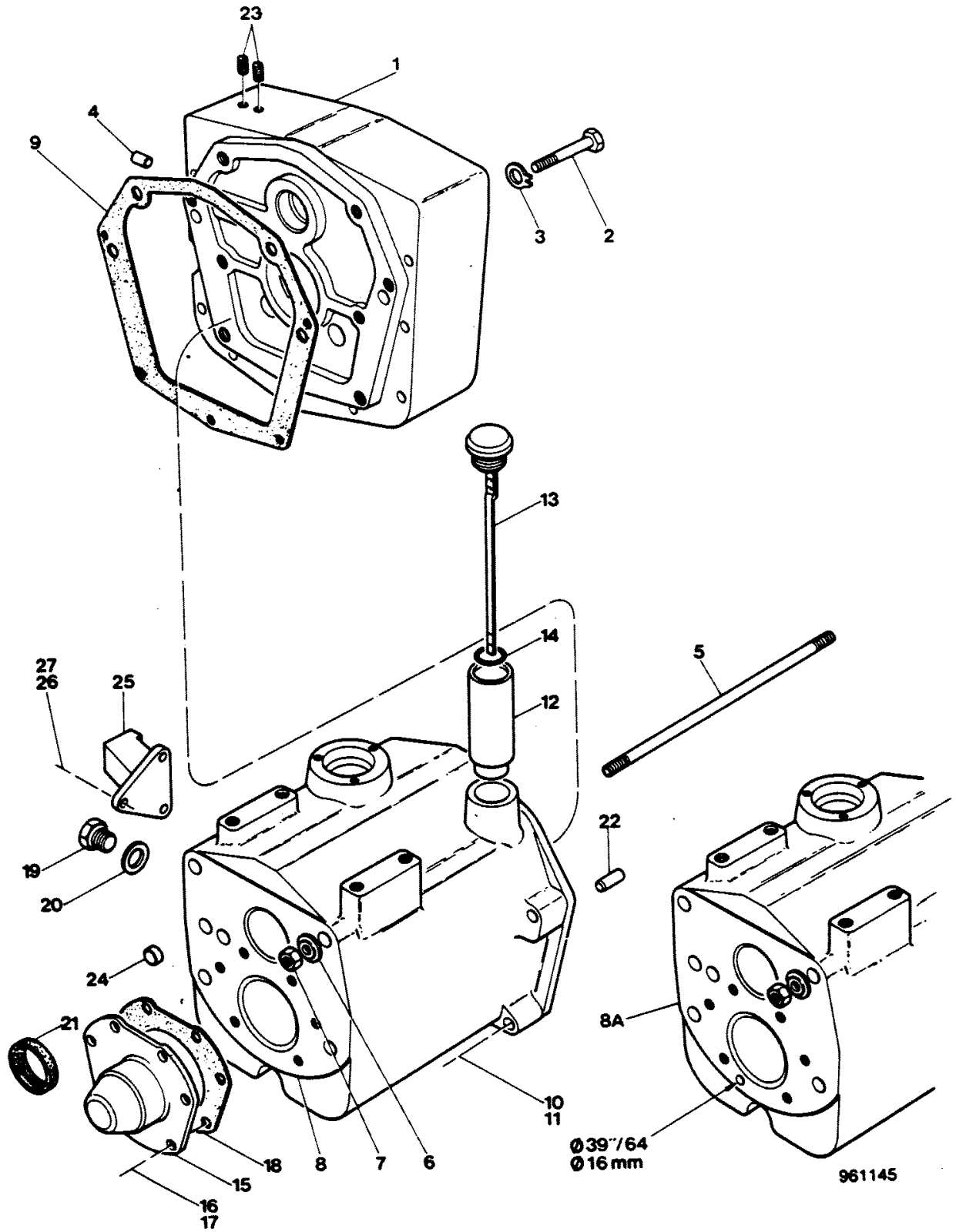
POWER SHUTTLE - PINION CAGE, OUTPUT SHAFT, AND CONTROL VALVE



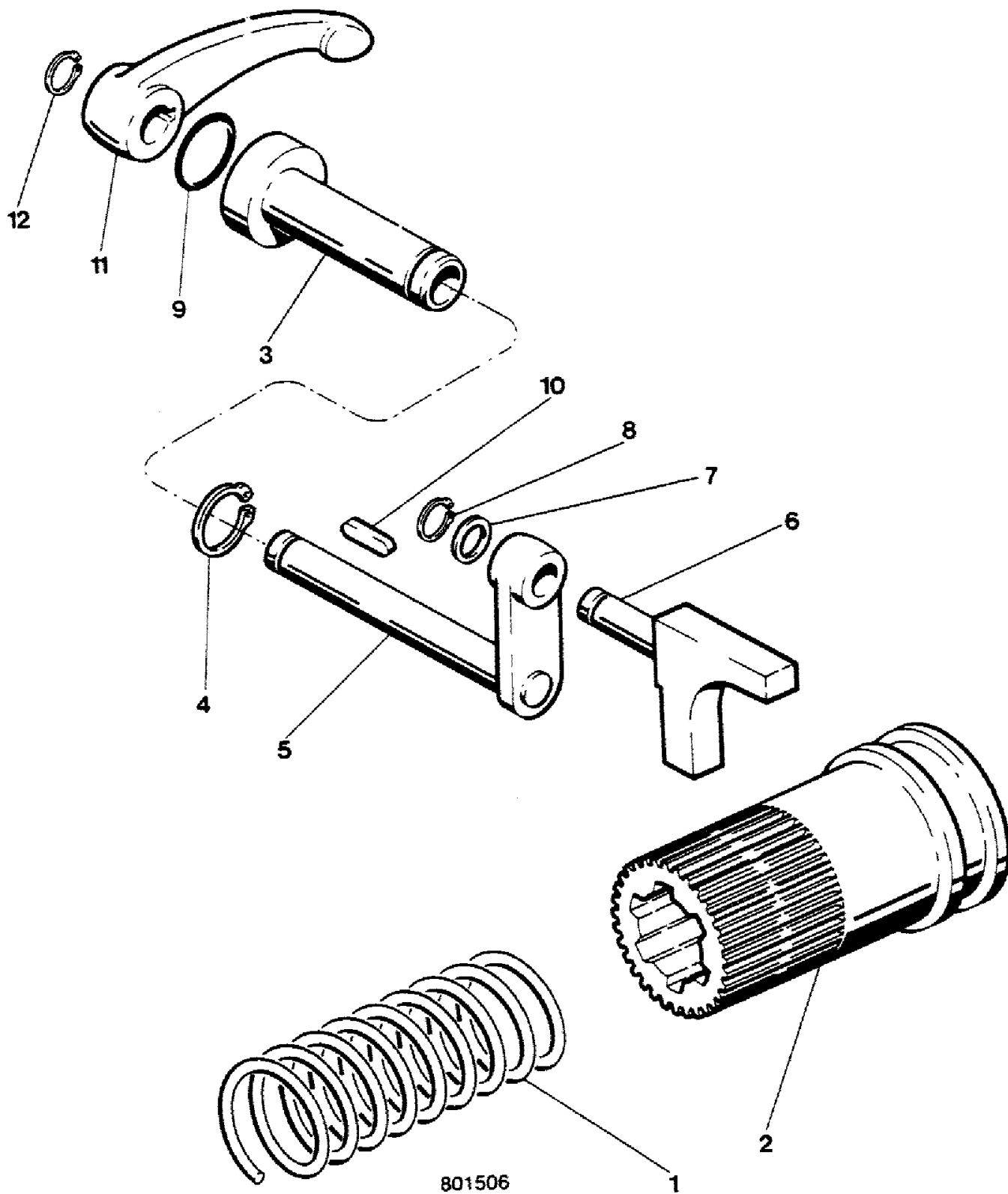
SHUTTLE CONTROL AND LINKAGE



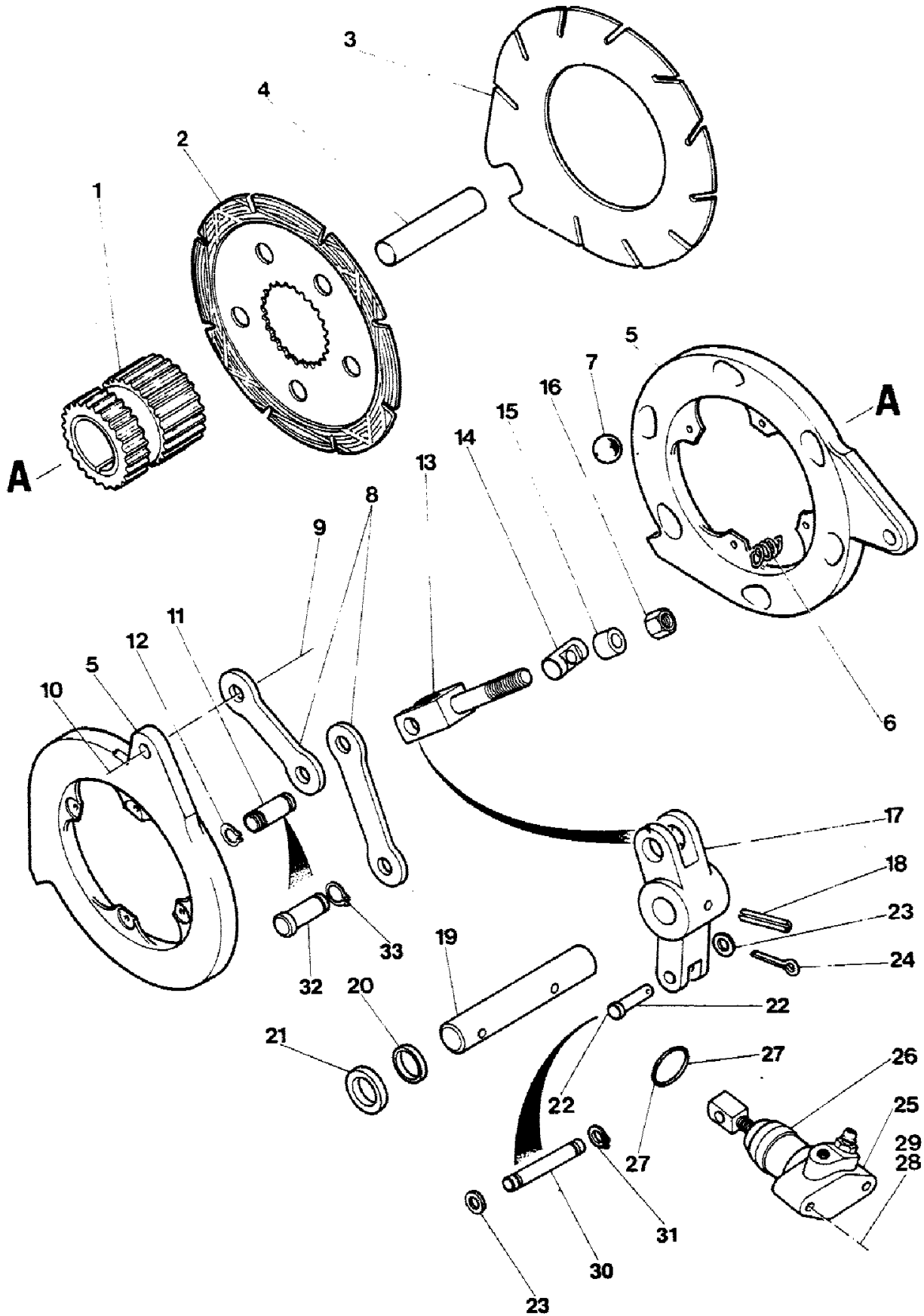
TRANSAXLE - GEARBOX CASE



TRANSAXLE - DIFFERENTIAL LOCK



TRANSAXLE - BRAKES AND BRAKE LINKAGE

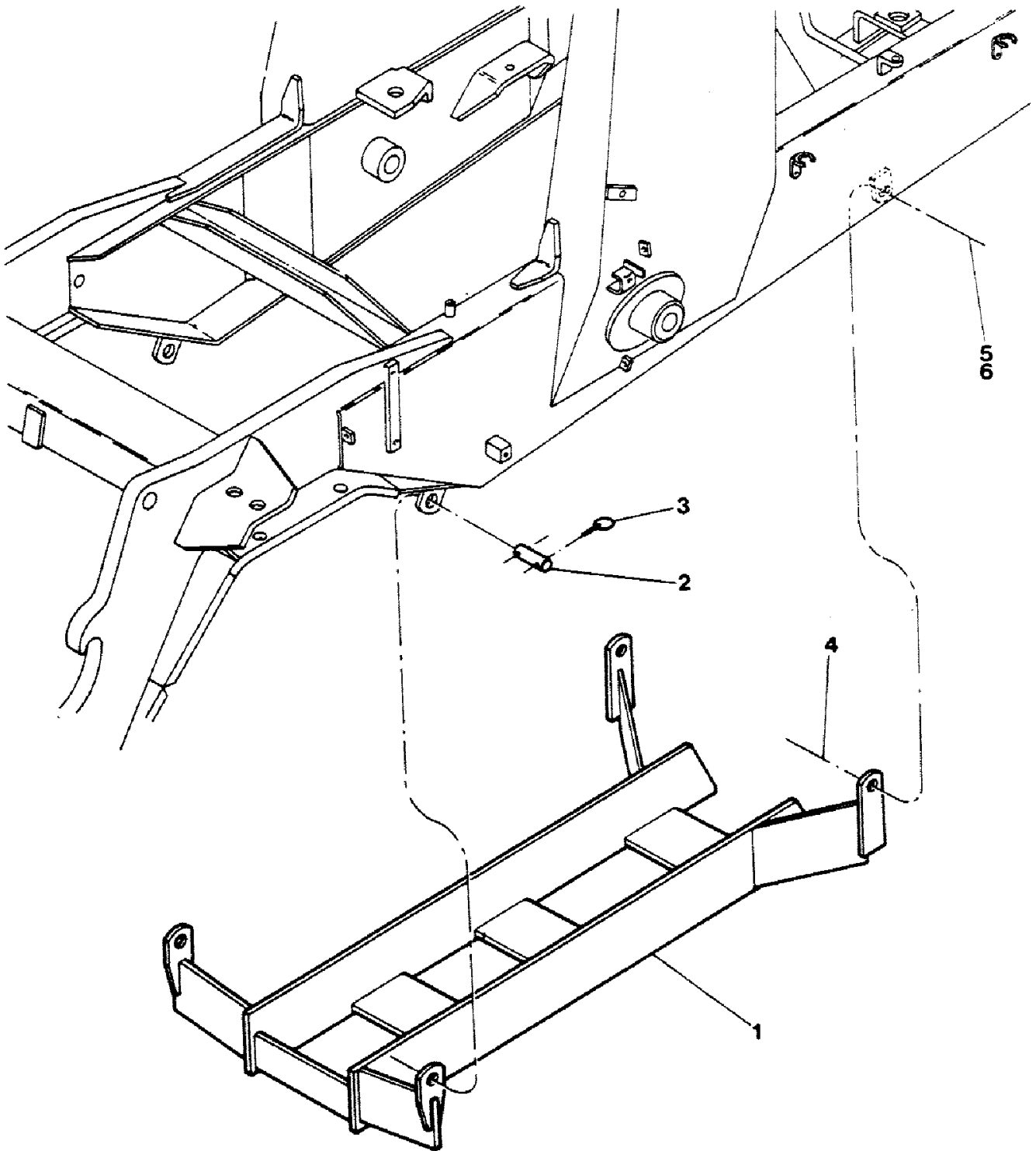


177A

p1

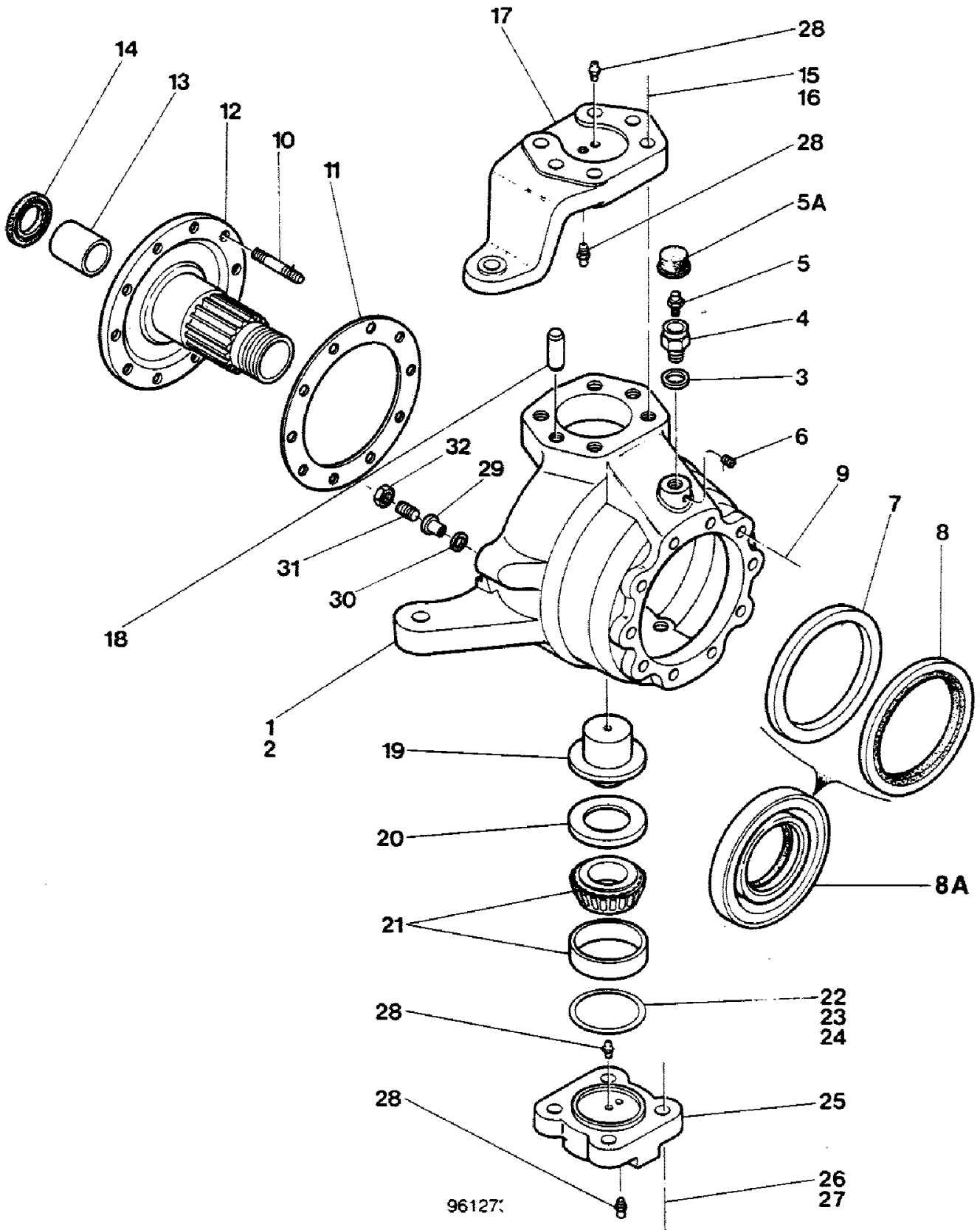
1/2019

FRONT DRIVE AXLE - DRIVESHAFT SHIELD

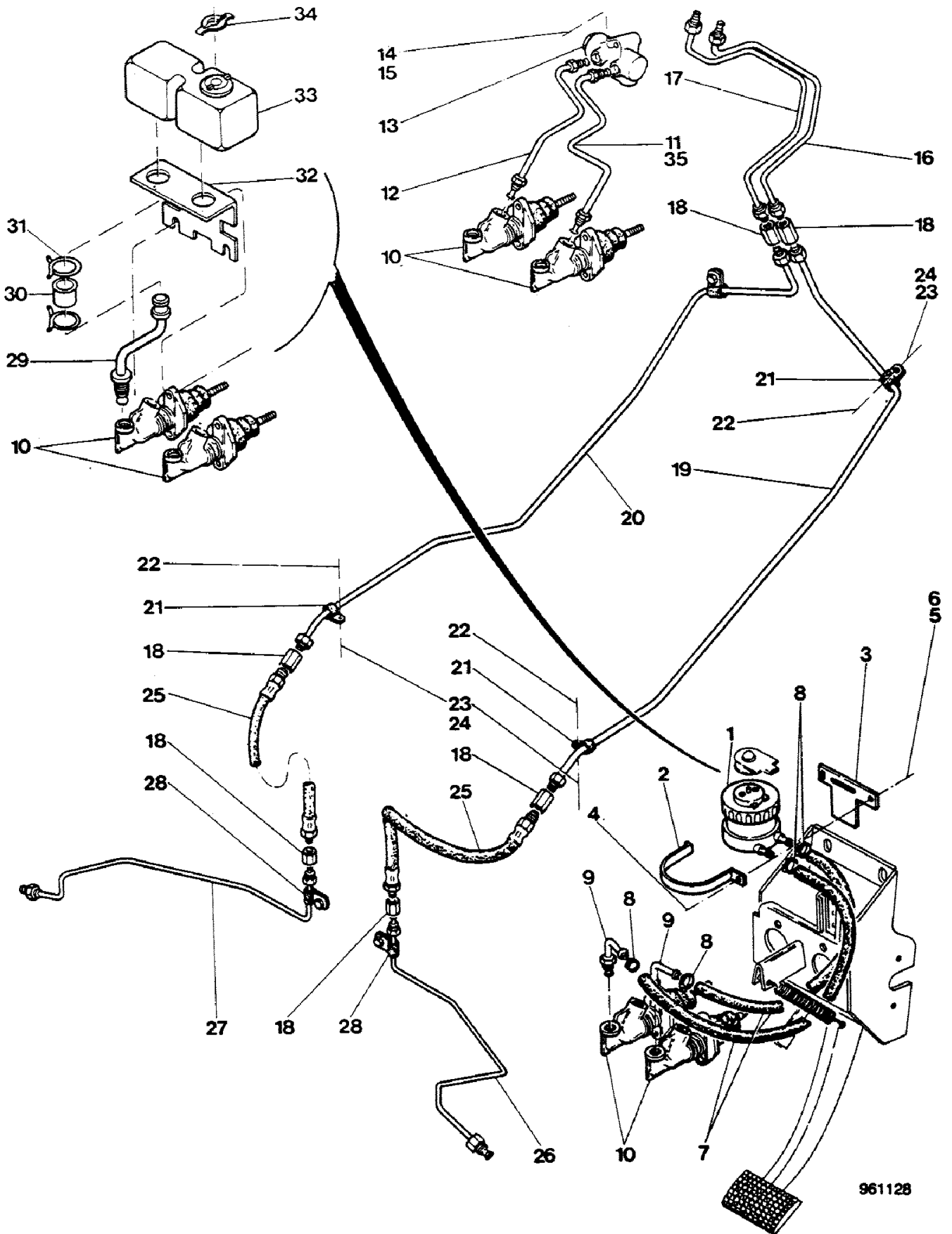


961078

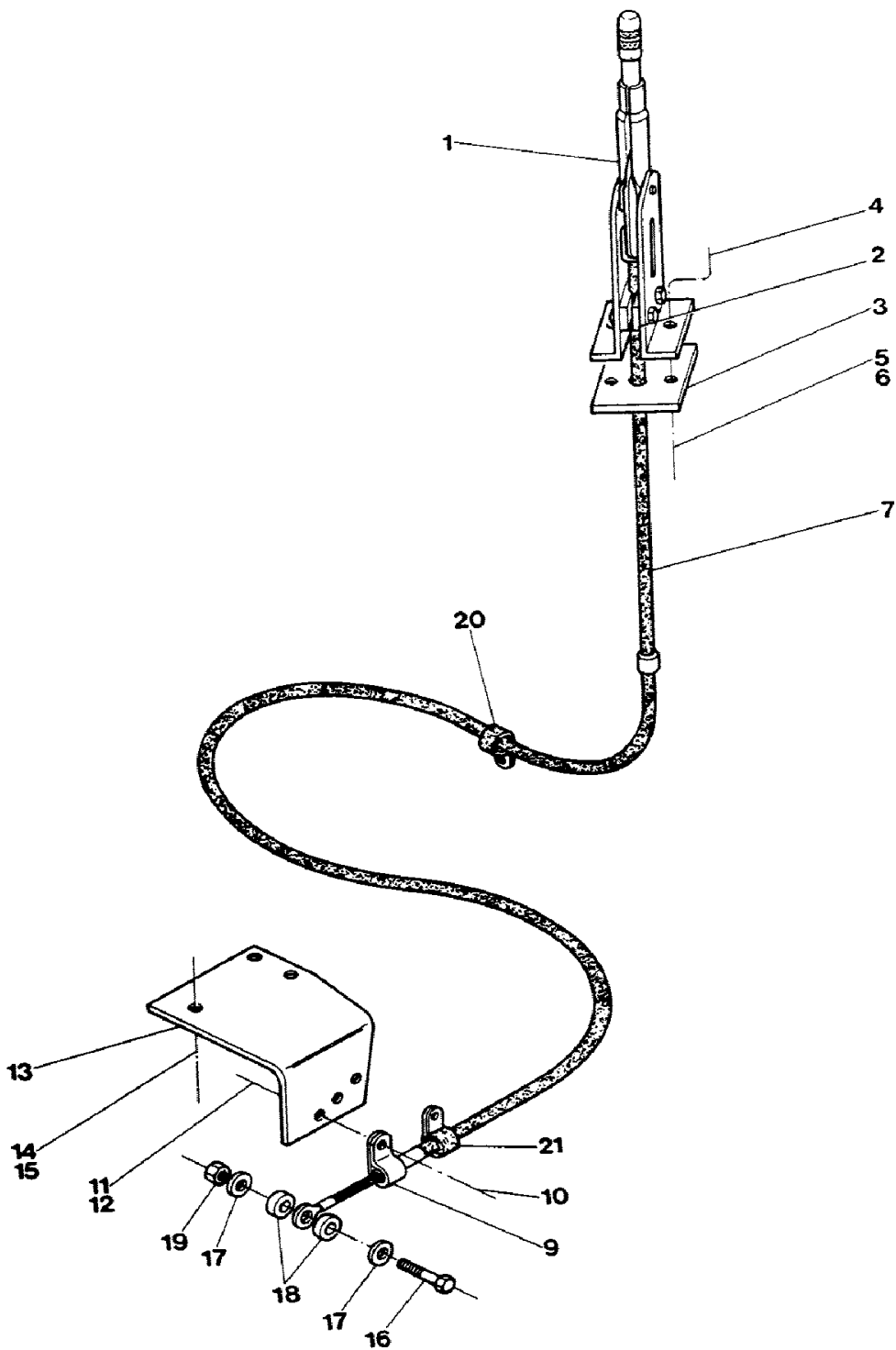
FRONT DRIVE AXLE - SWIVEL HOUSINGS



BRAKES - HYDRAULIC LINES UP TO NO. 3.937.264



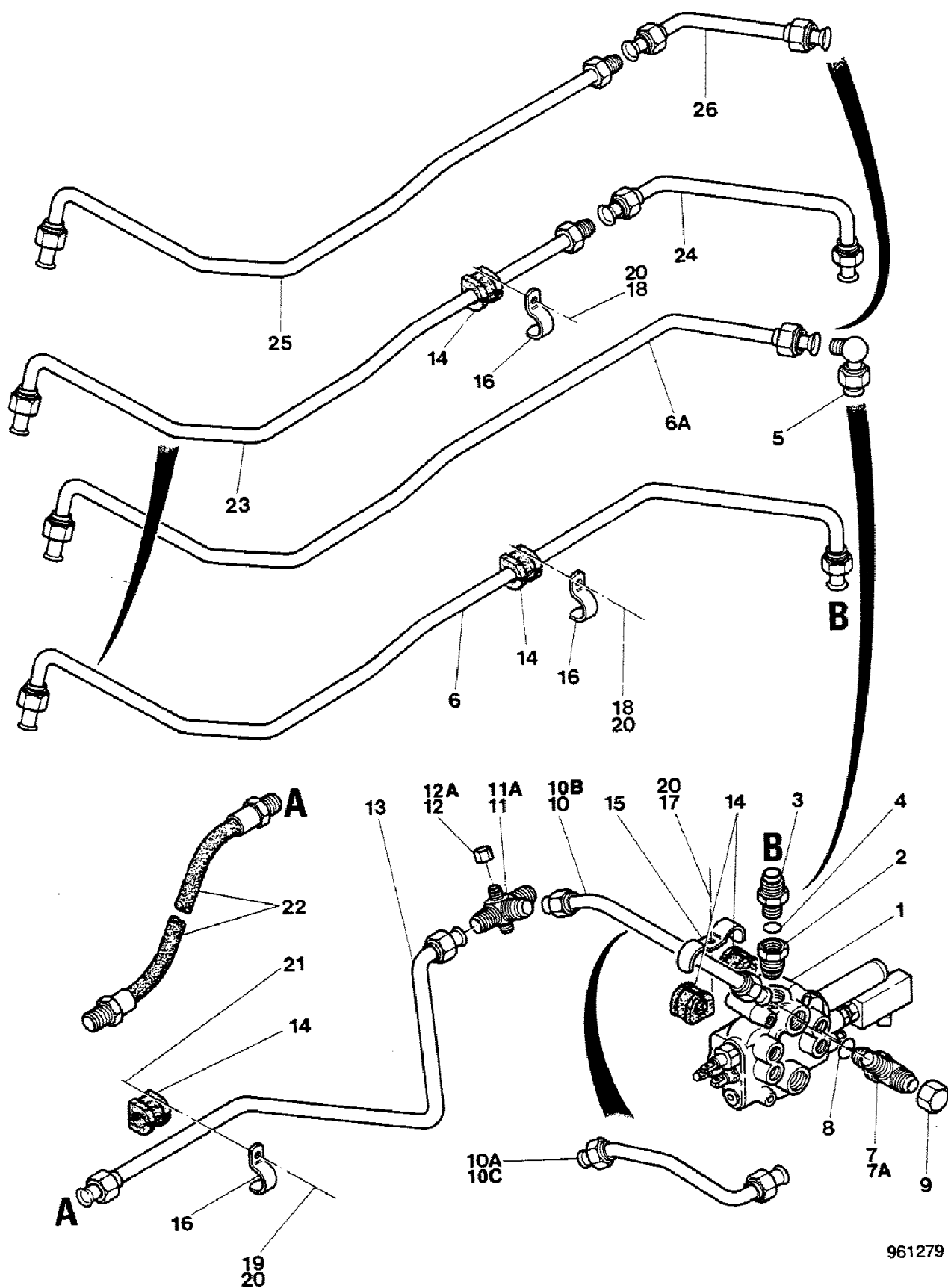
EMERGENCY BRAKE IF USED



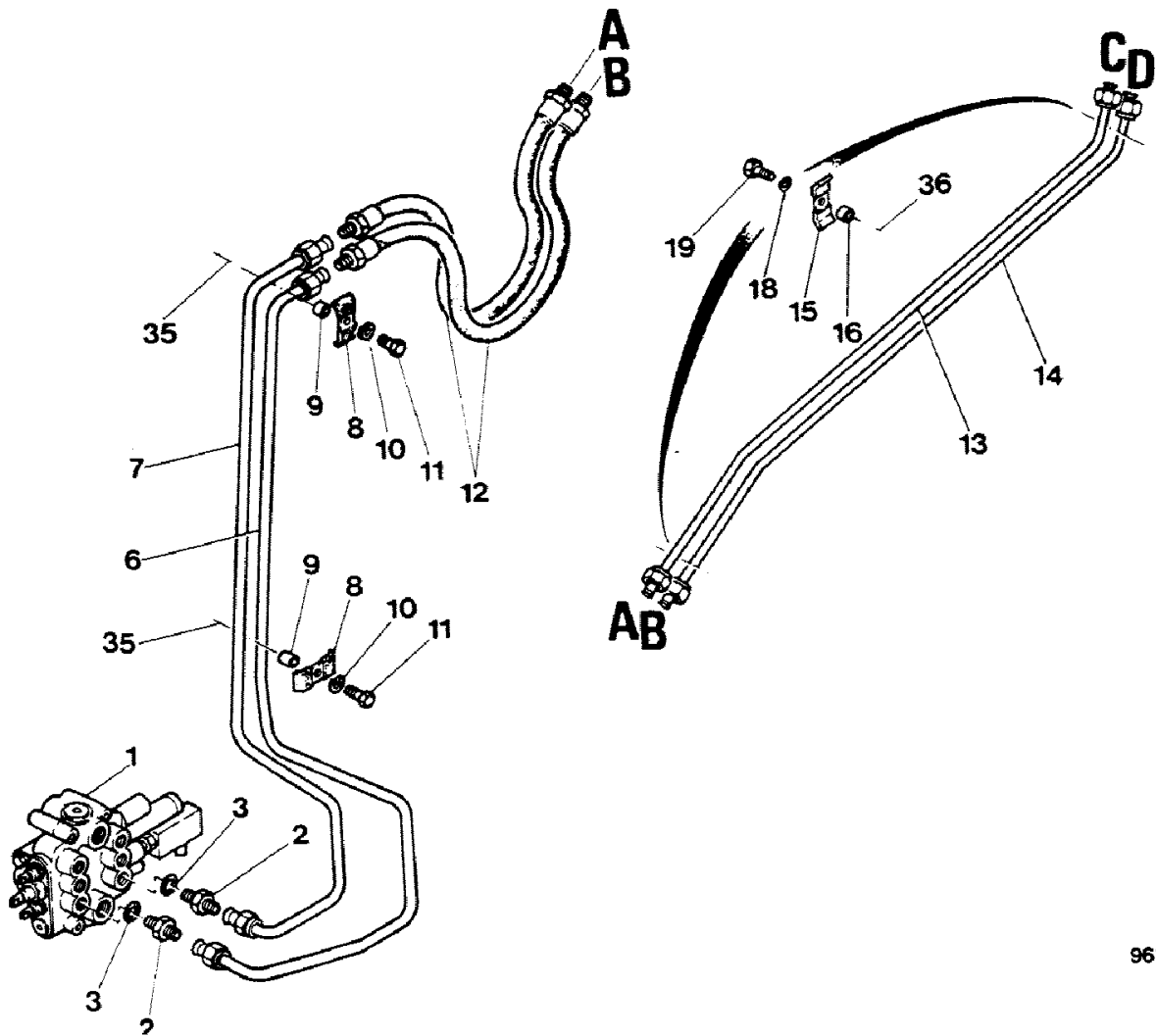
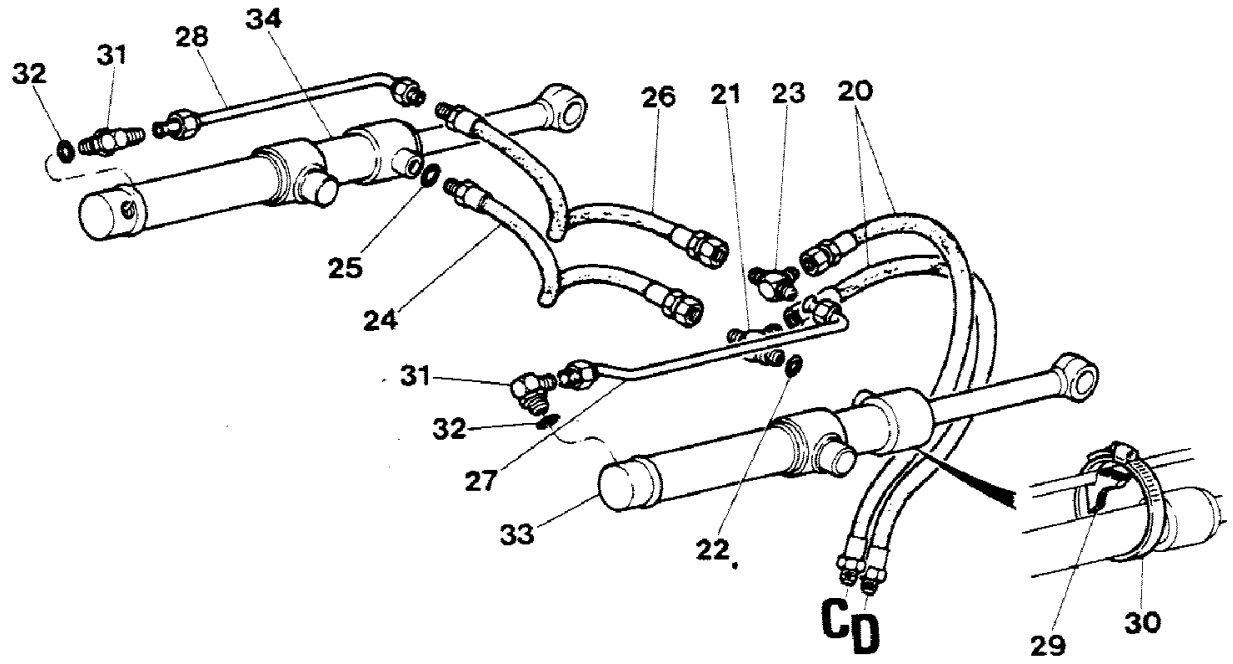
961129

See other option Figure 198

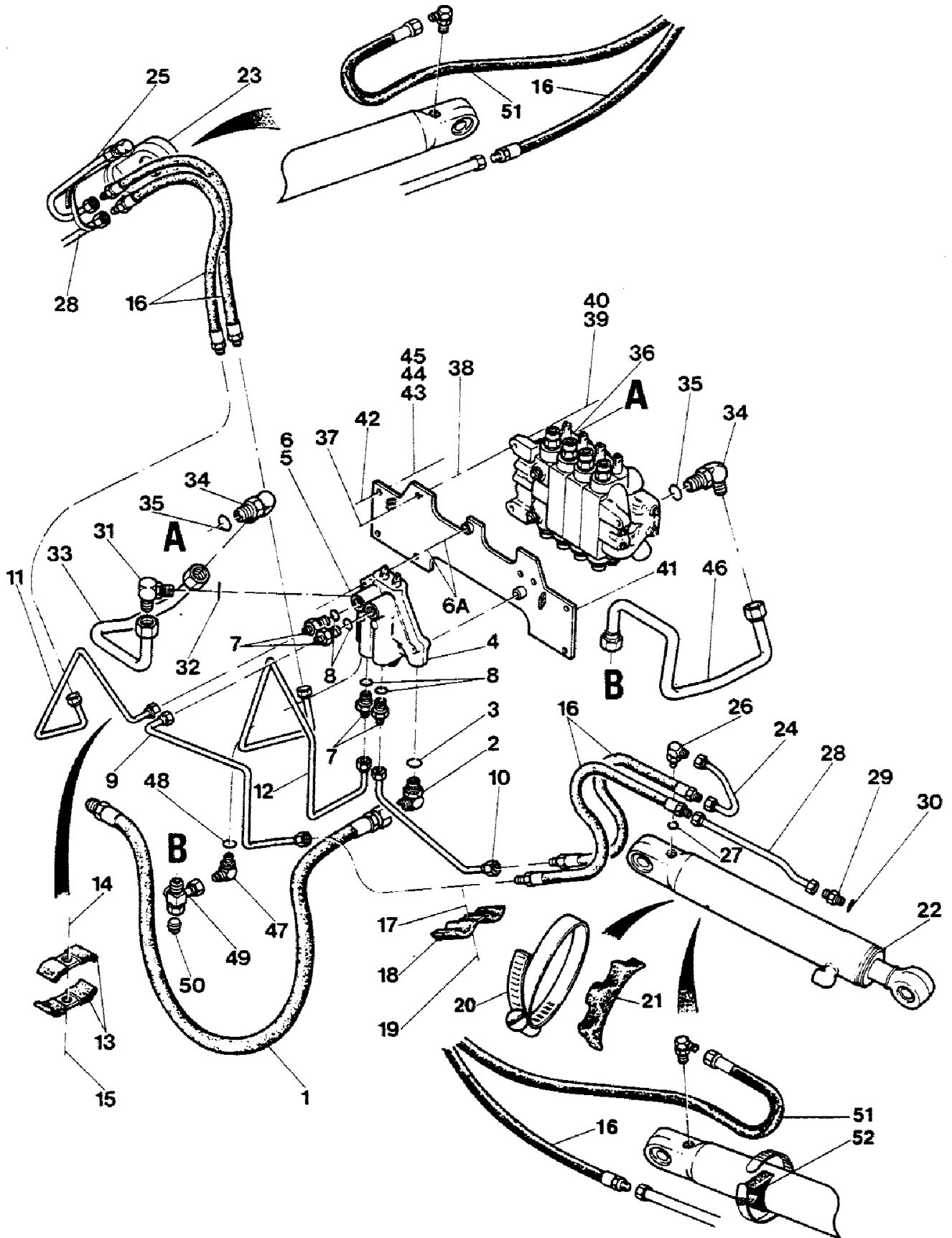
EQUIPMENT HYDRAULIC SYSTEM - REAR LINES



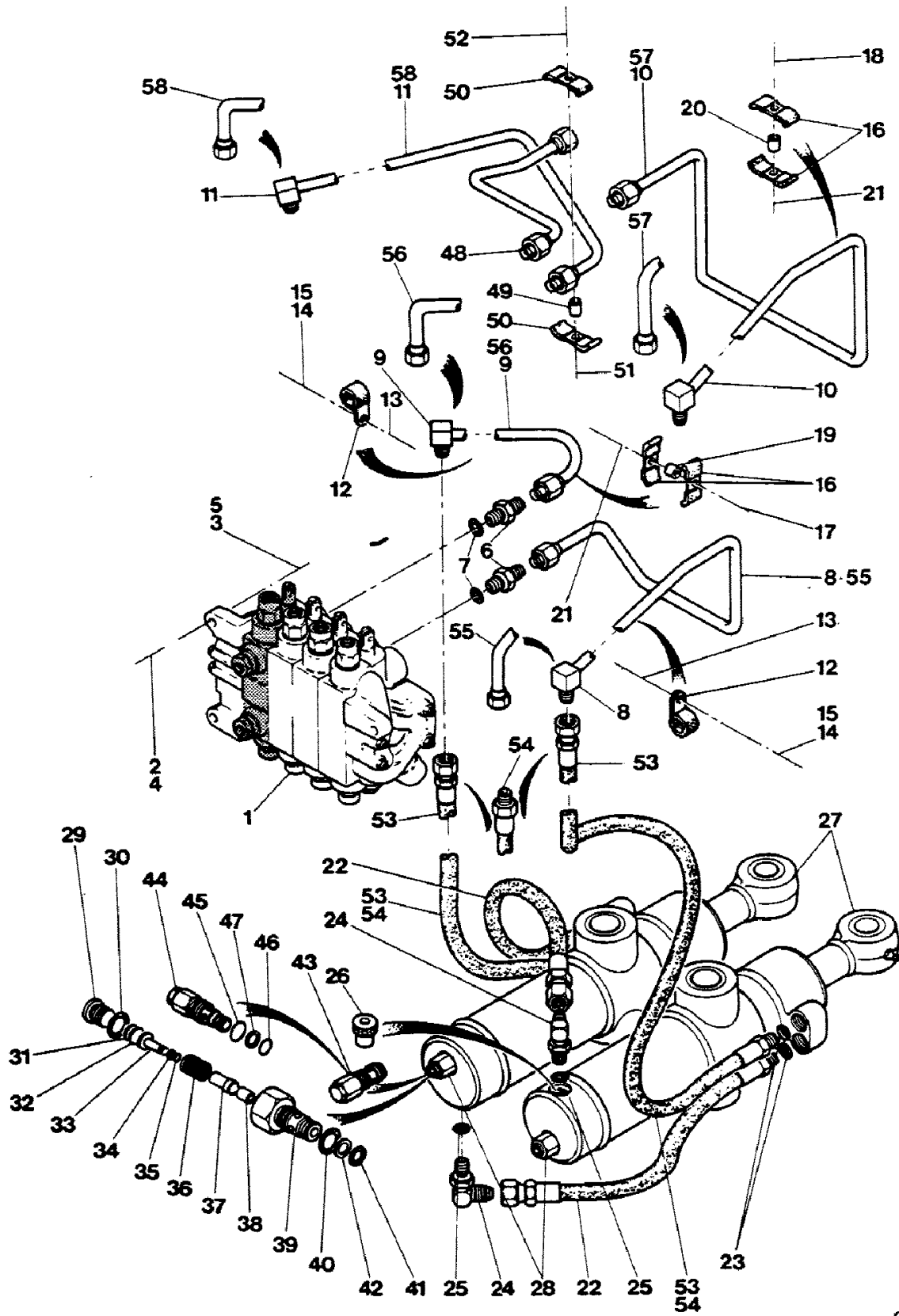
LOADER - TILT CYLINDER HYDRAULIC CIRCUIT



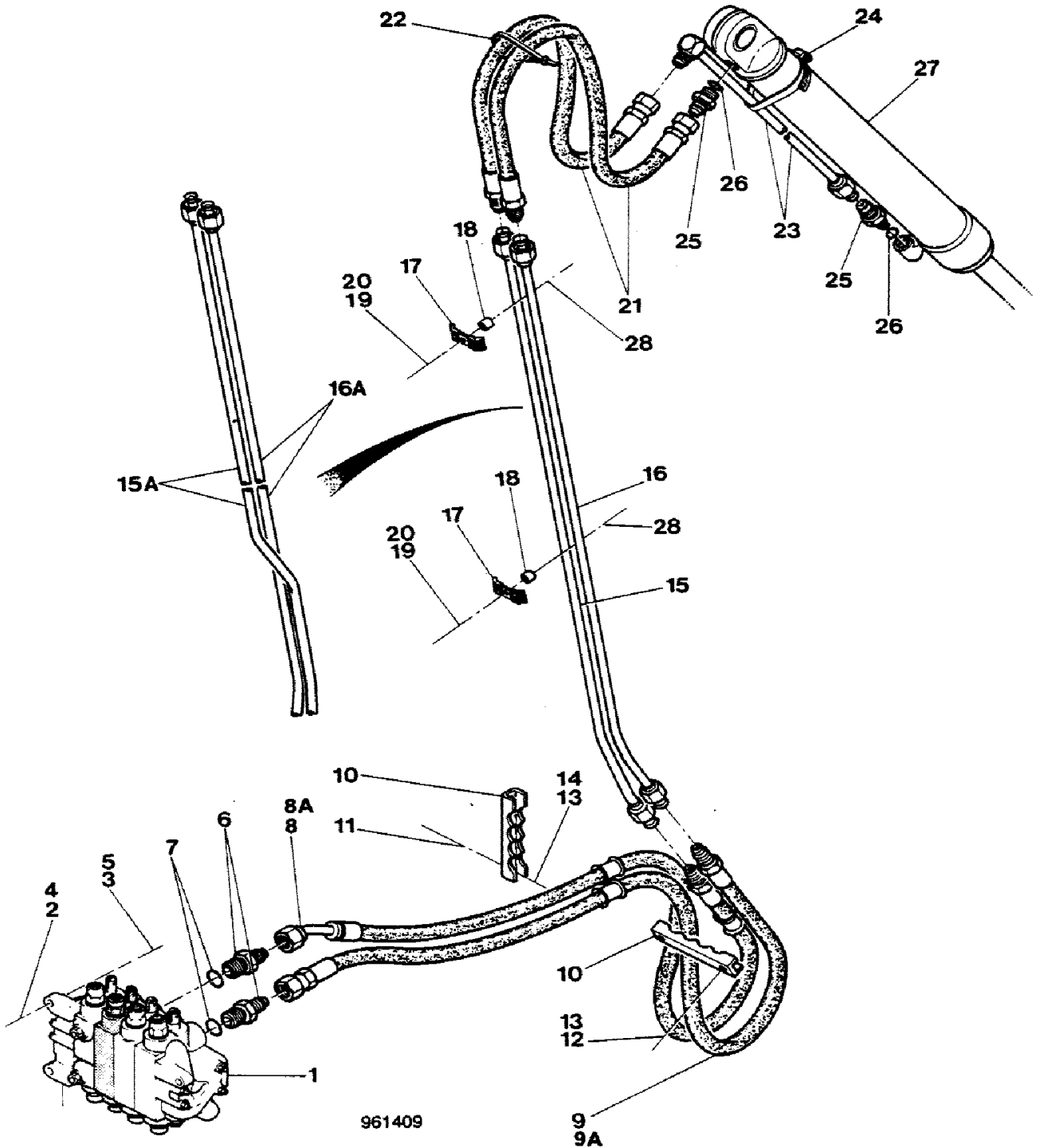
AXIAL BACKHOE - STABILIZER CYLINDER HYDRAULIC CIRCUIT



AXIAL BACKHOE - SWING CYLINDER HYDRAULIC CIRCUIT

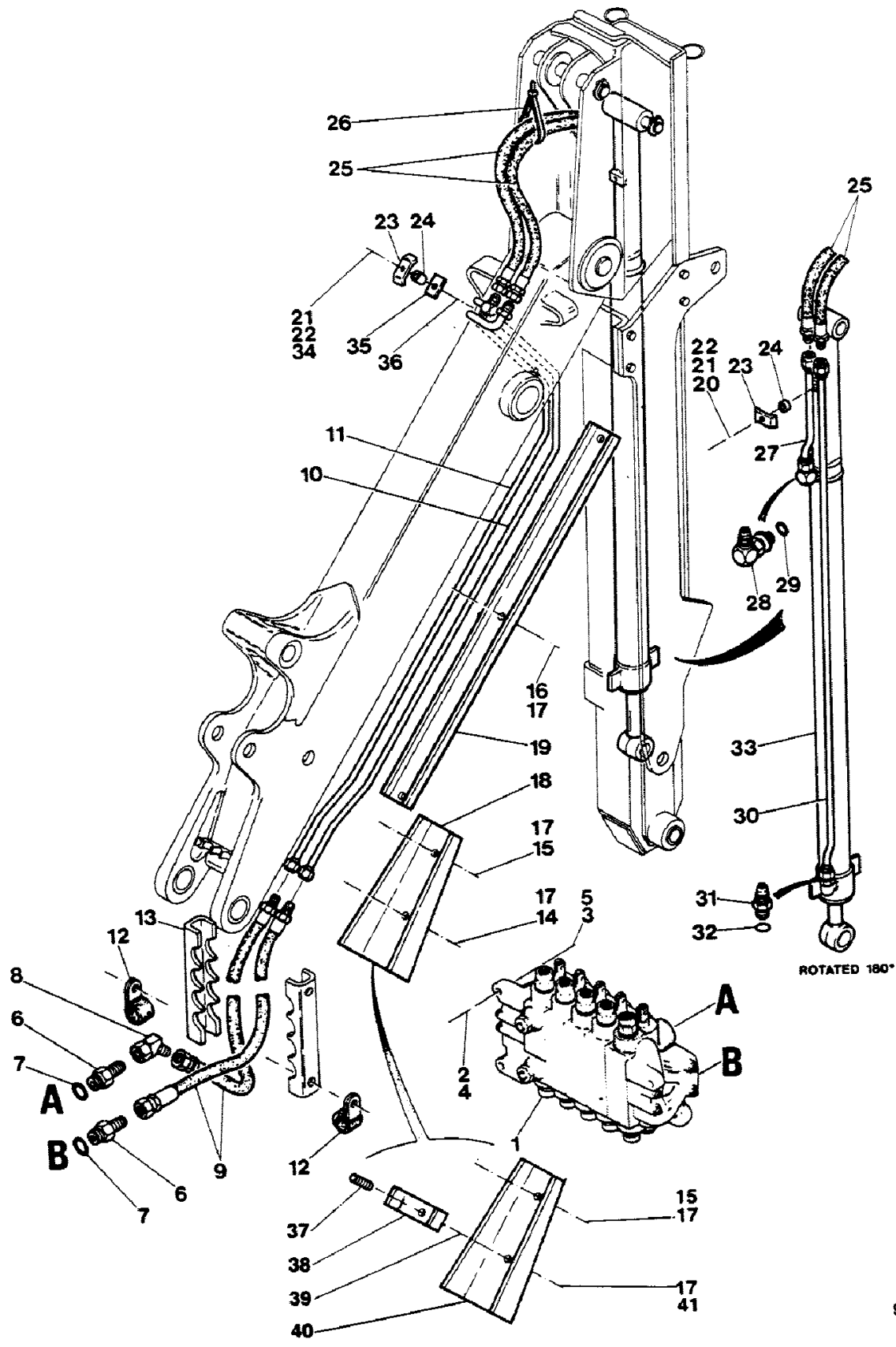


AXIAL BACKHOE - BUCKET CYLINDER HYDRAULIC CIRCUIT



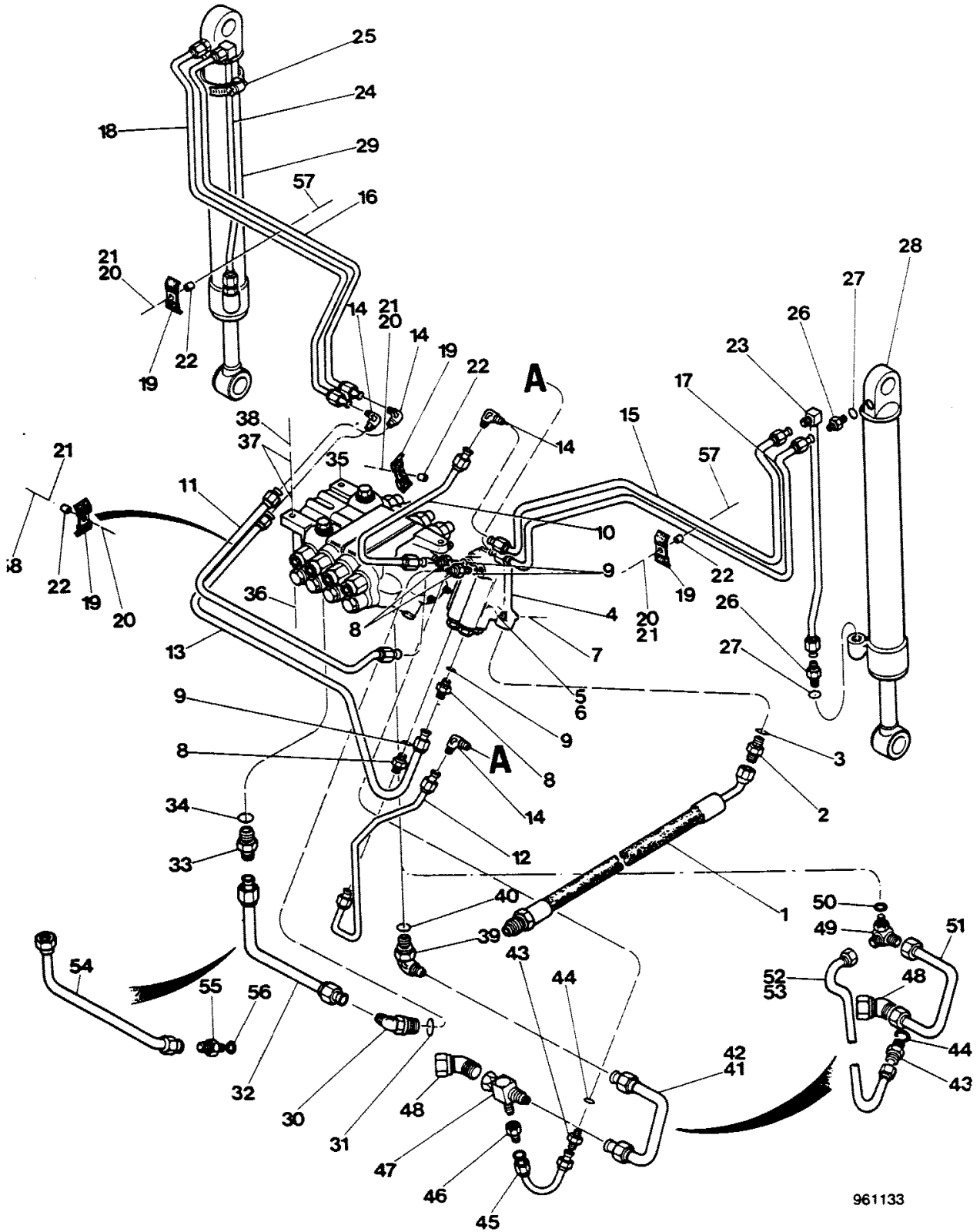
Without extendable dipper

AXIAL BACKHOE - EXTENDABLE DIPPER HYDRAULIC CIRCUIT

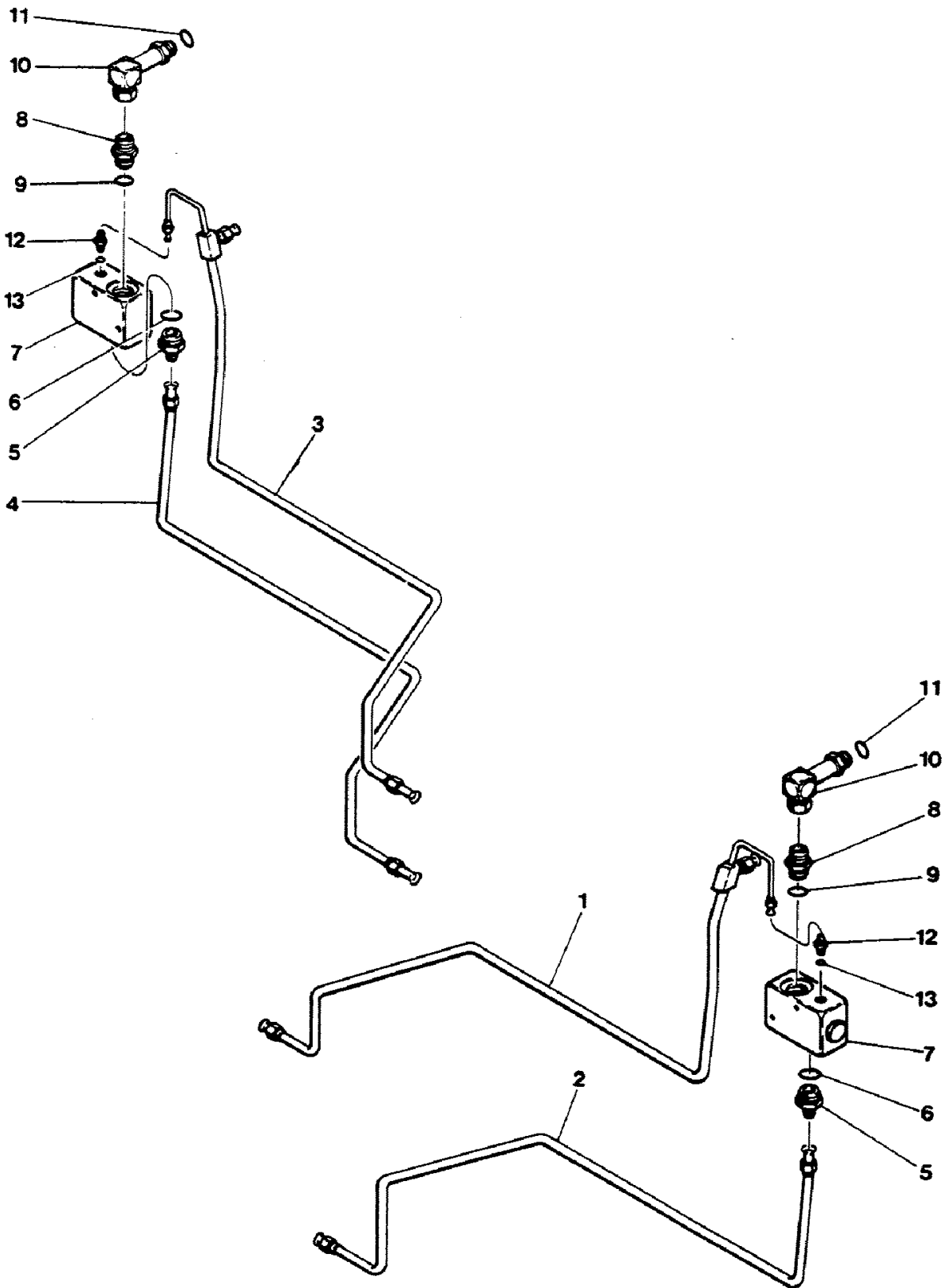


ROTATED 180°

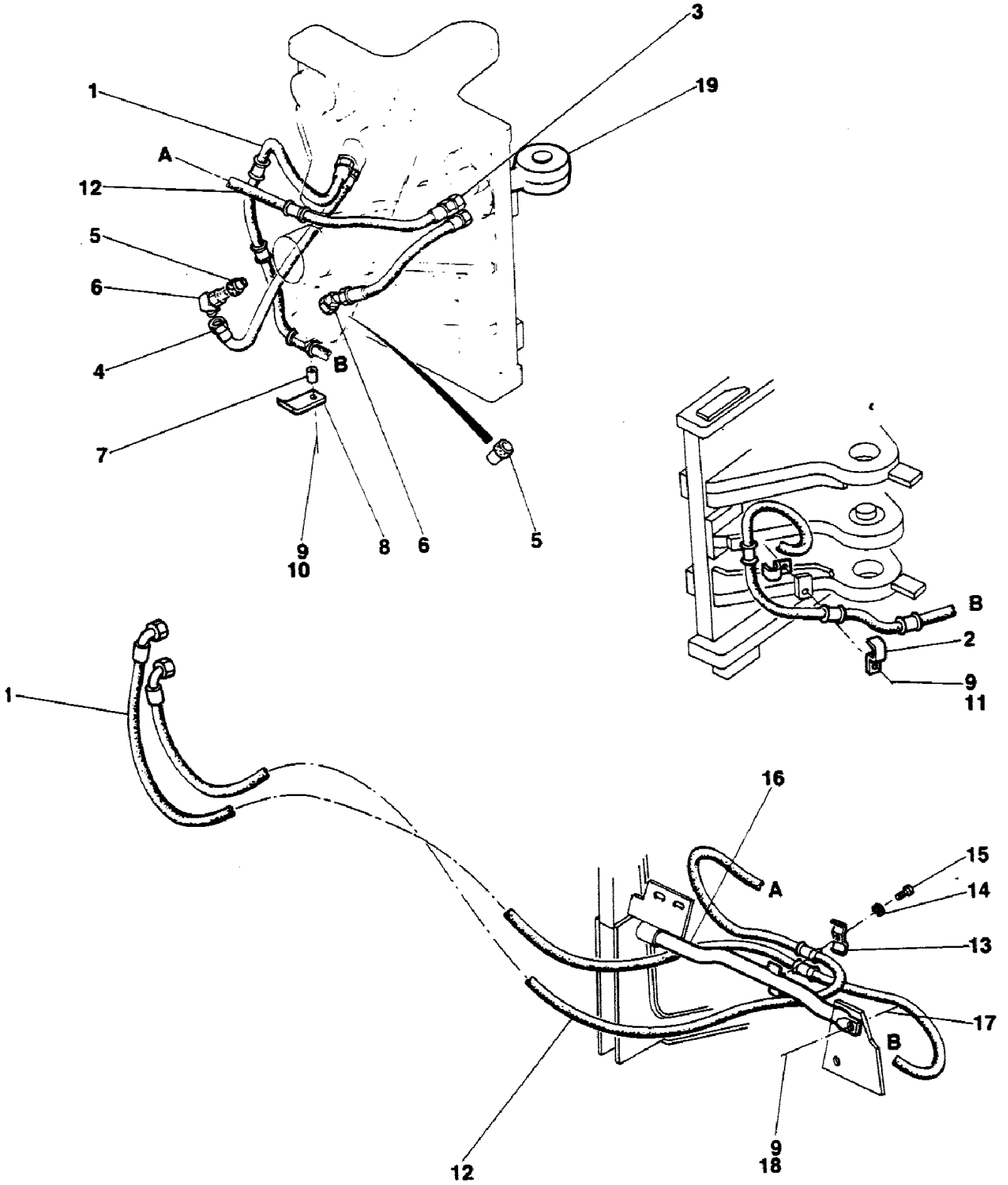
SIDESHIFT BACKHOE - STABILIZER CYLINDER HYDRAULIC CIRCUIT UP TO 3.947.279



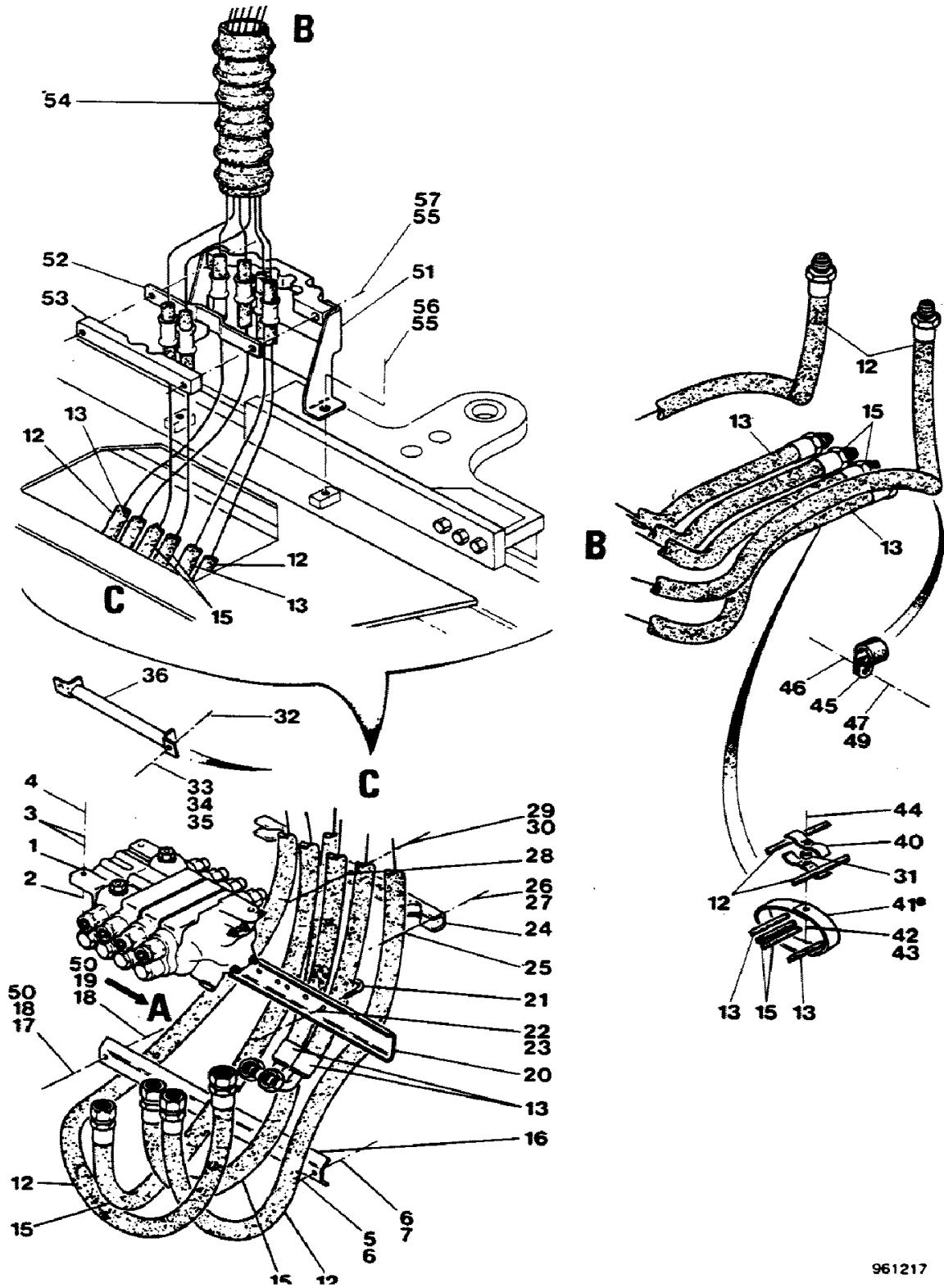
SIDESHIFT BACKHOE - STABILIZER CYLINDER CHECKS UP TO NO. 3.947.279



SIDESHIFT BACKHOE - SWING CYLINDER HYDRAULIC CIRCUIT STARTING FROM NO. 3.948.950



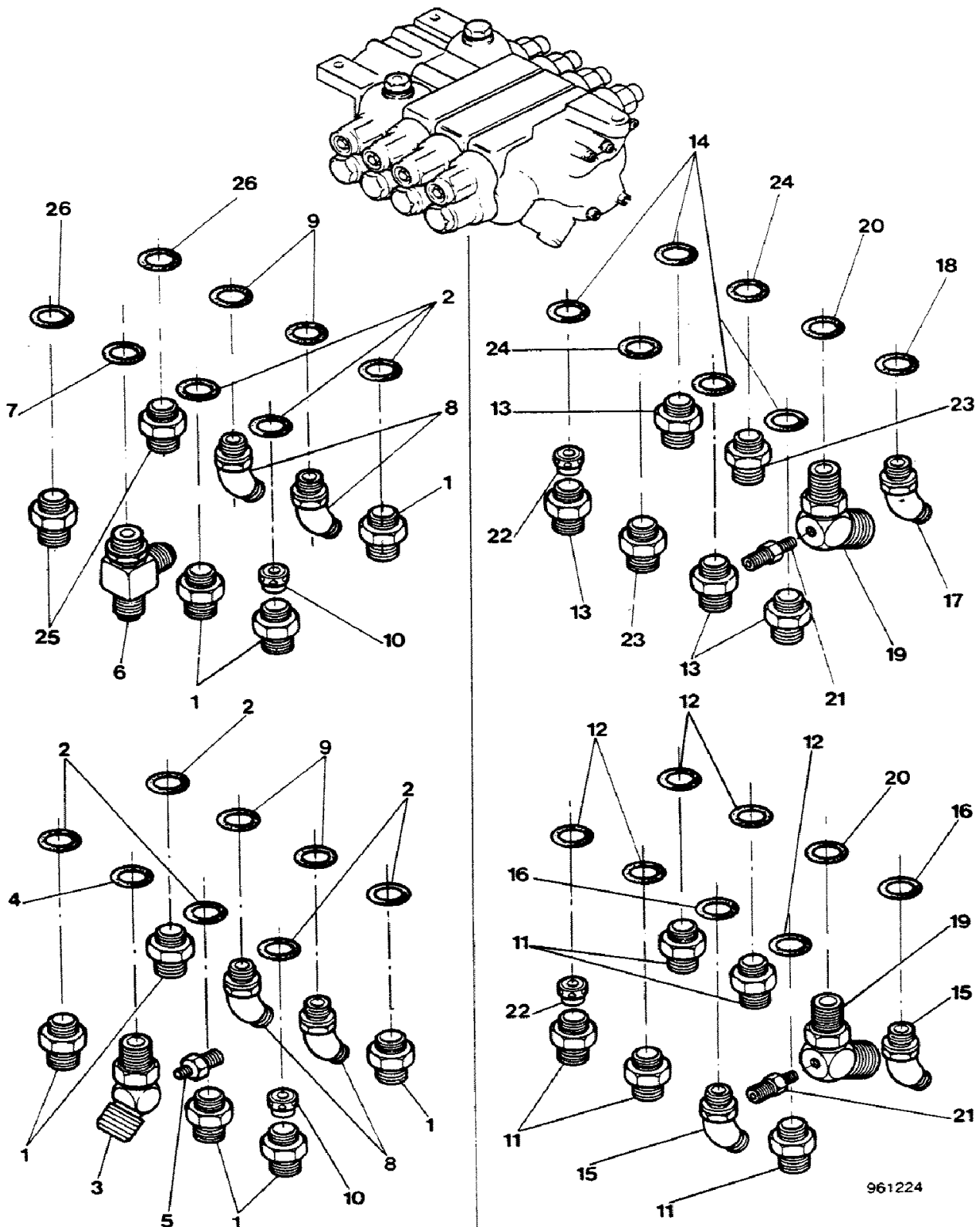
SIDESHIFT BACKHOE - LINES FROM CONTROL VALVE UP TO NO. 3.948.949



961217

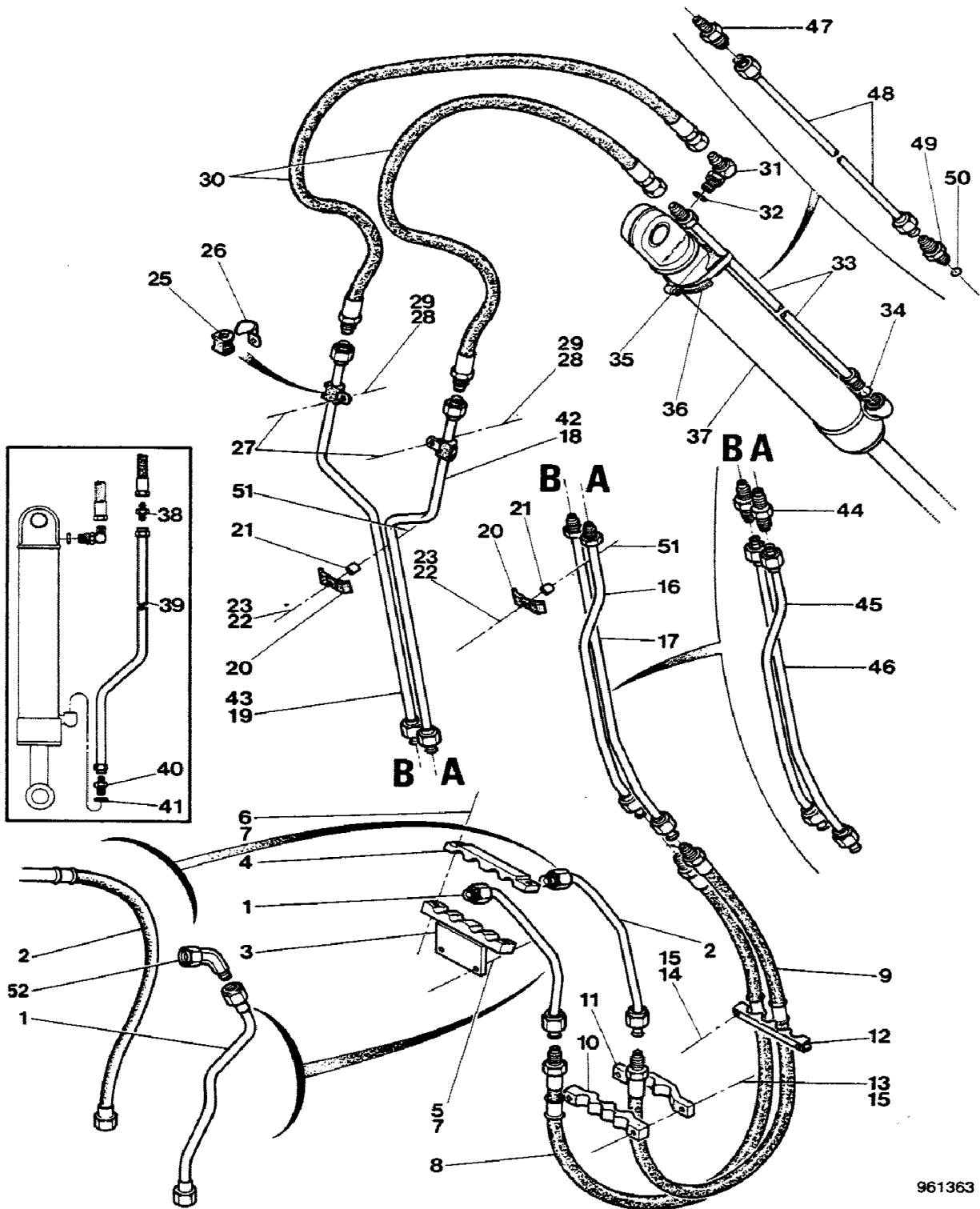
See detail "A" Figure 254

SIDESHIFT BACKHOE - CONTROL VALVE FITTINGS (SEE FIGURE 250) UP TO NO. 3.948.949



For Starting from No. 3.948.950 See Figure 243E

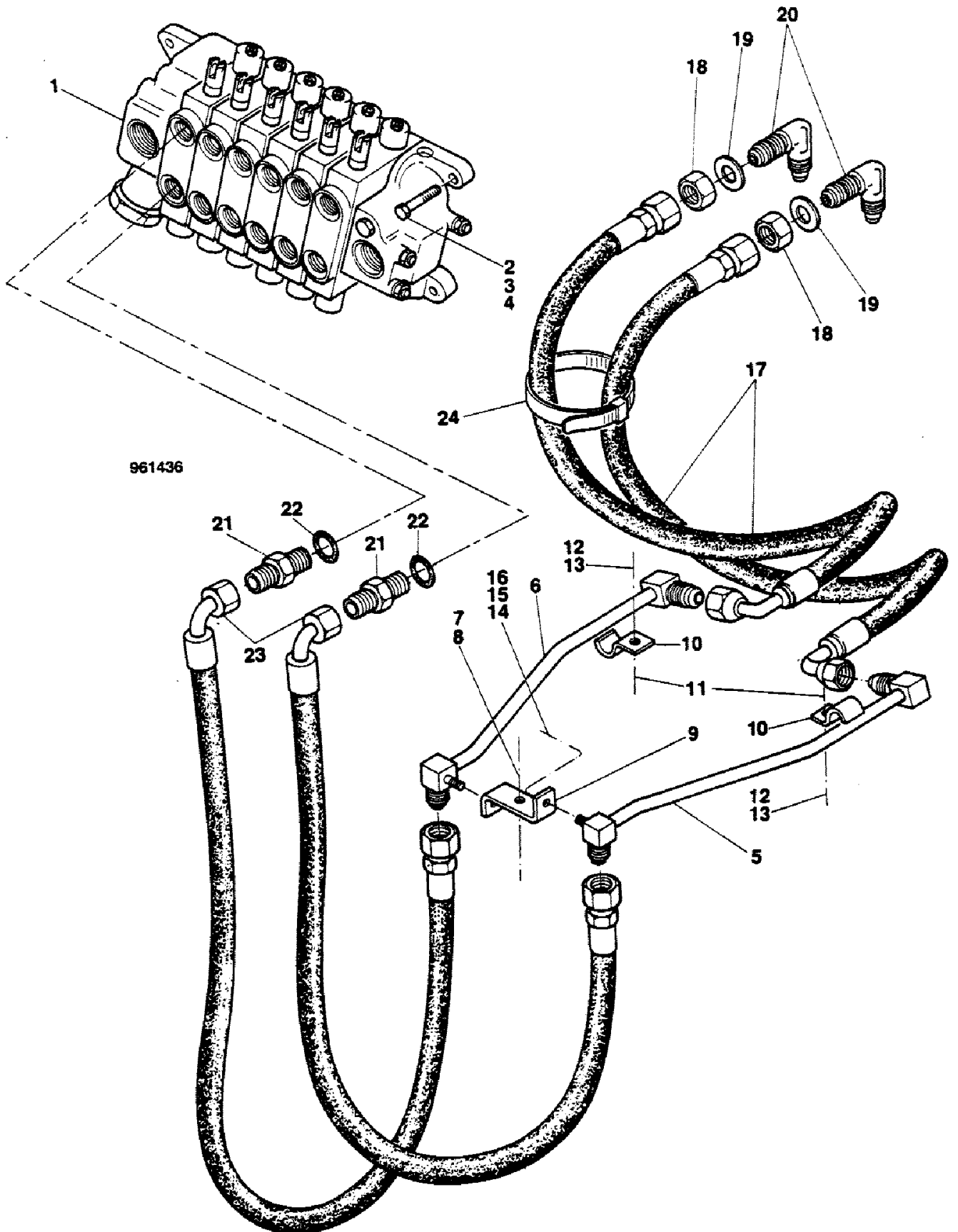
SIDESHIFT BACKHOE - BUCKET CYLINDER HYDRAULIC CIRCUIT



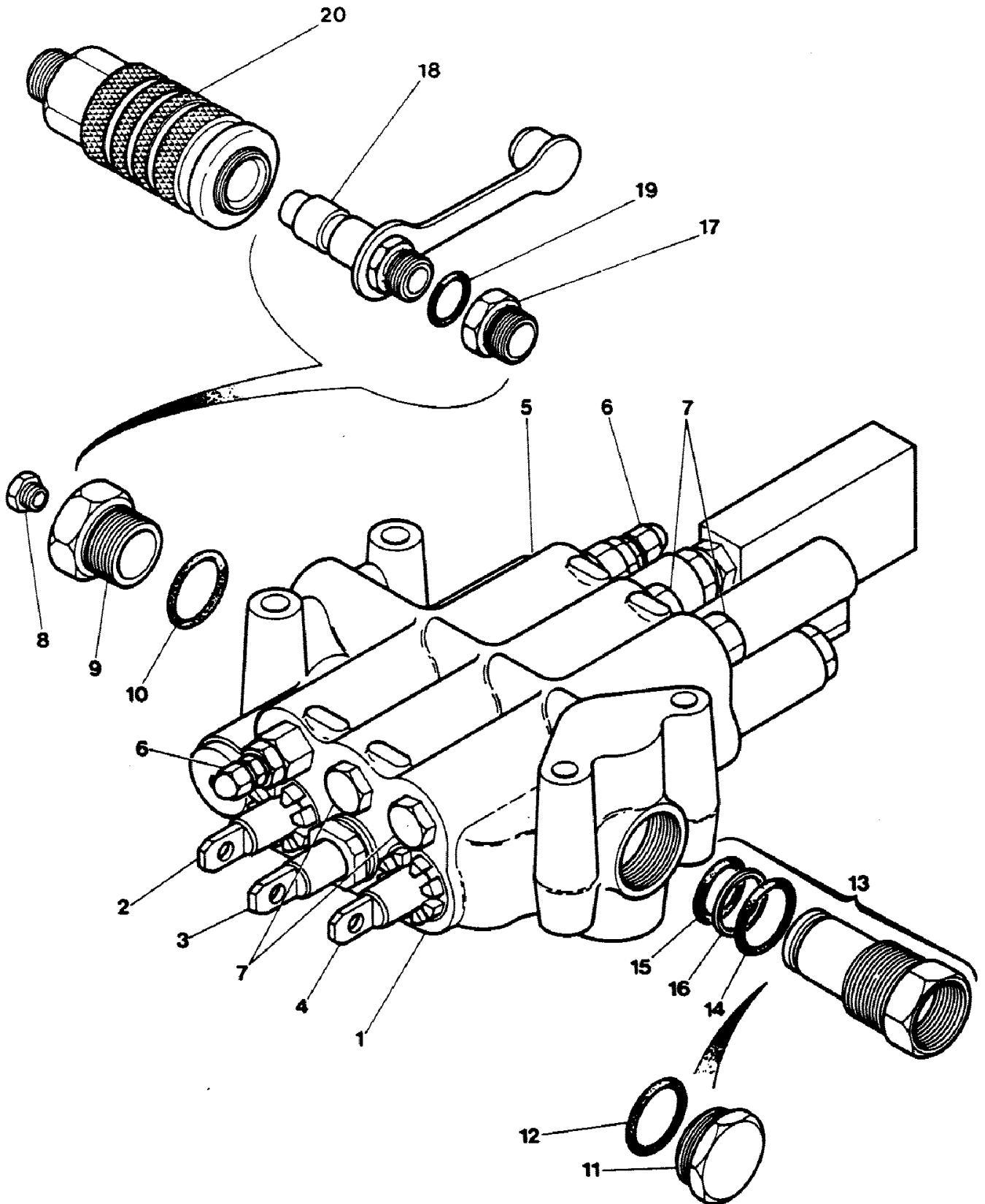
961363

With extendable dipper

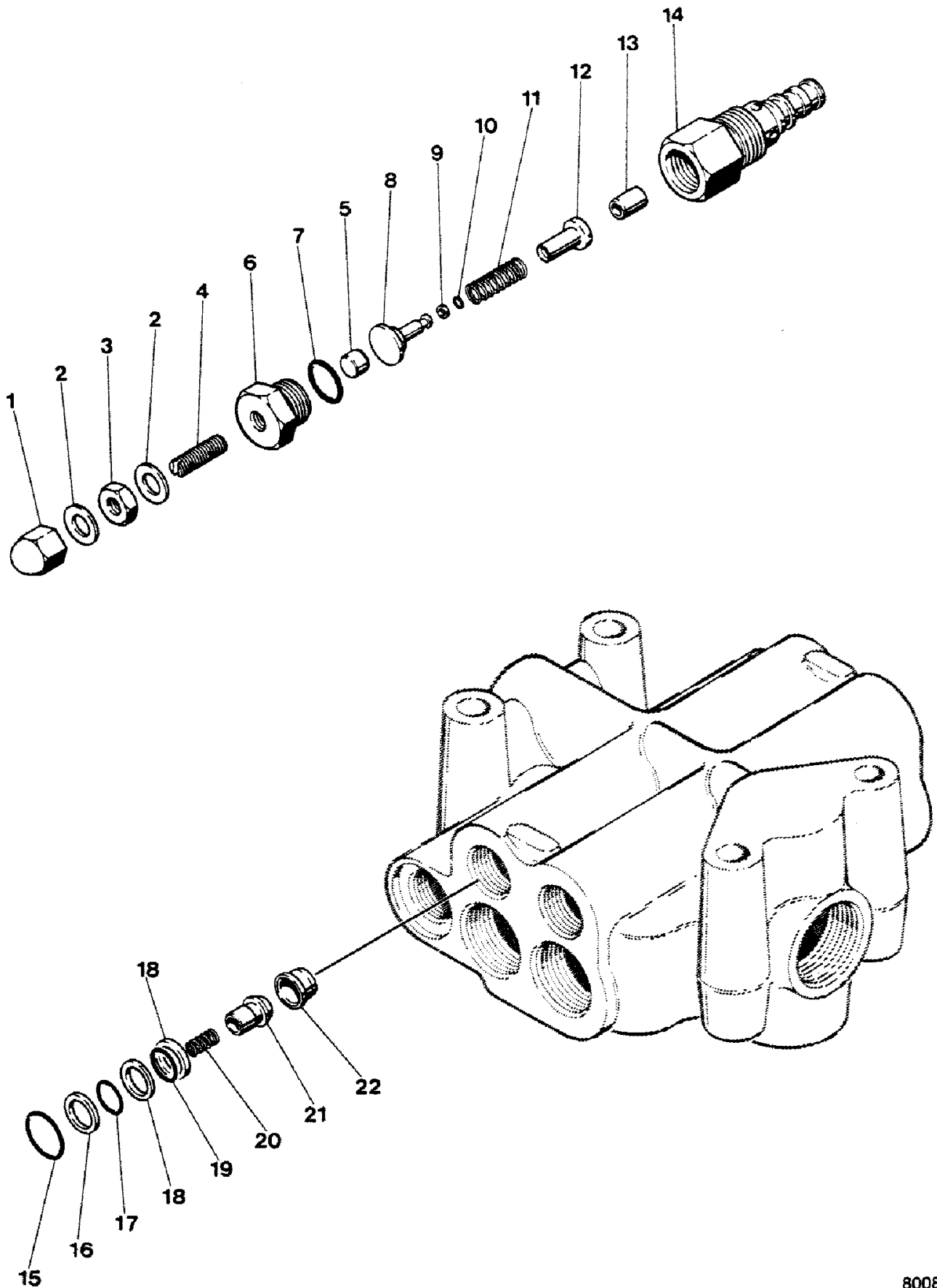
SIDESHIFT BACKHOE - EXTENDABLE DIPPER HYDRAULIC CIRCUIT (SEE FIGURE 264) STARTING FROM NO. 3.948.950



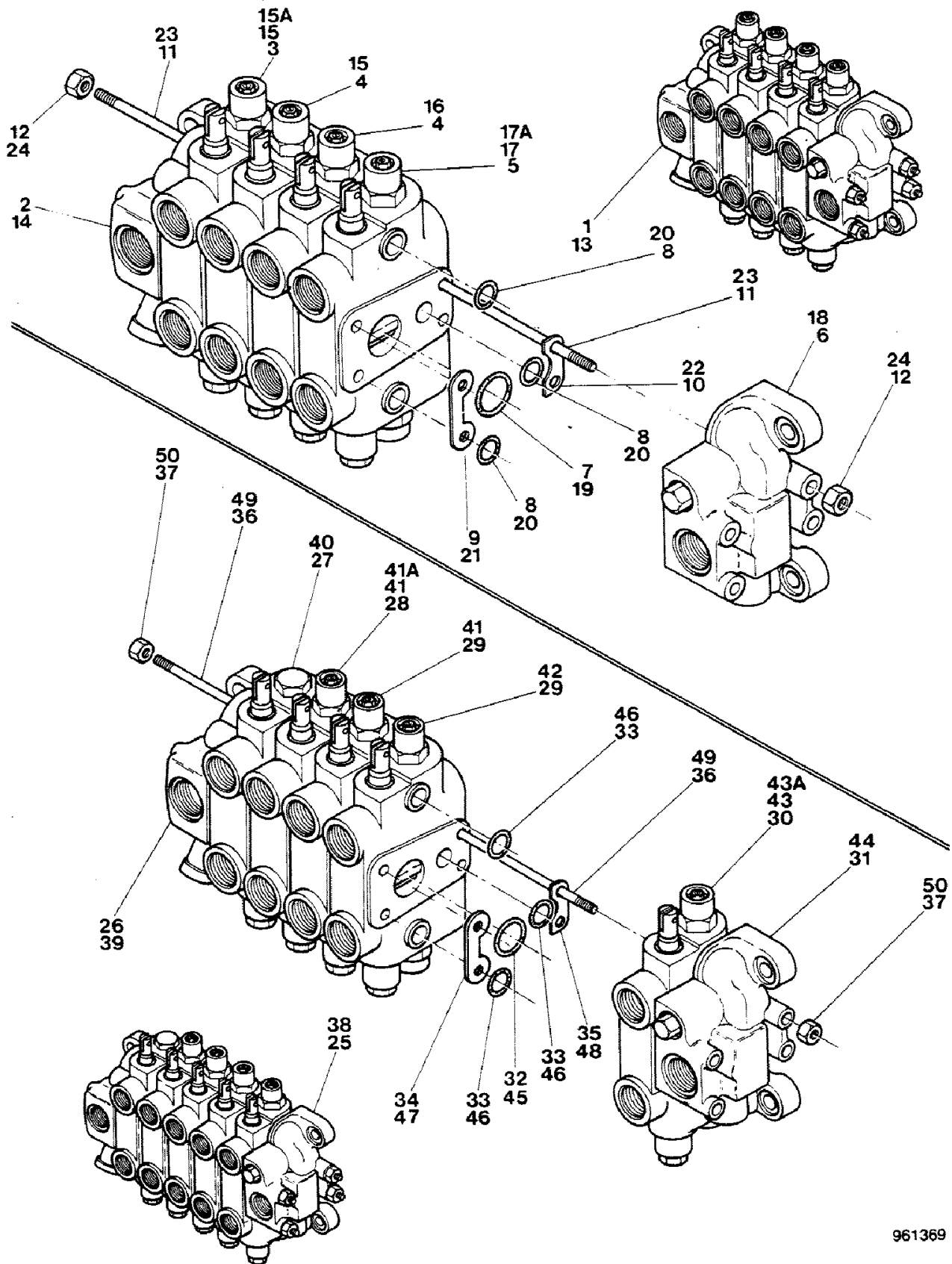
LOADER CONTROL VALVE - THREE SPOOL



LOADER CONTROL VALVE - SECONDARY RELIEF VALVE



BACKHOE - CONTROL VALVES



CLICK HERE TO **DOWNLOAD** THE COMPLETE MANUAL

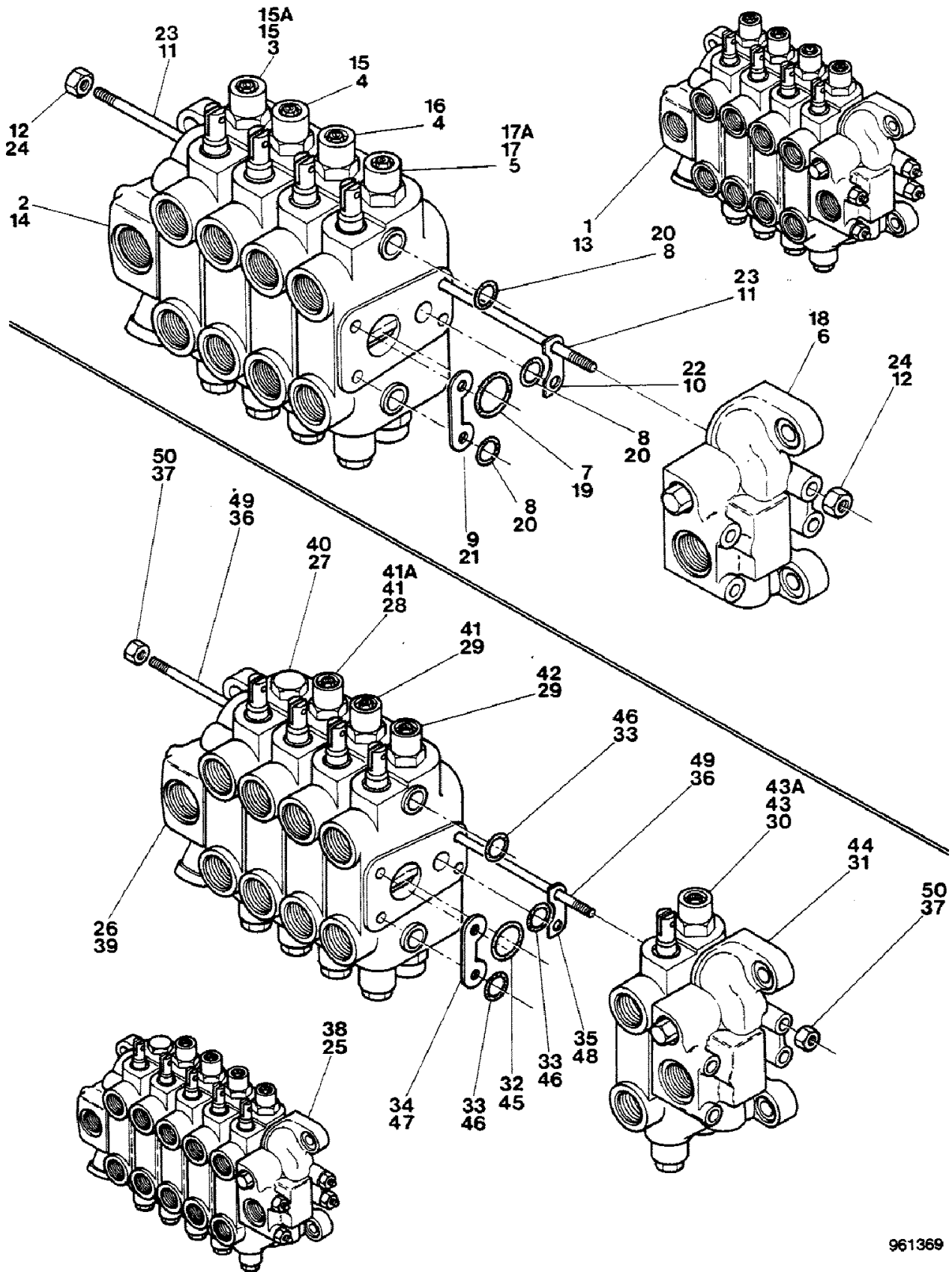
- Thank you very much for reading the preview of the manual.
- You can download the complete manual from: www.heydownloads.com by clicking the link below



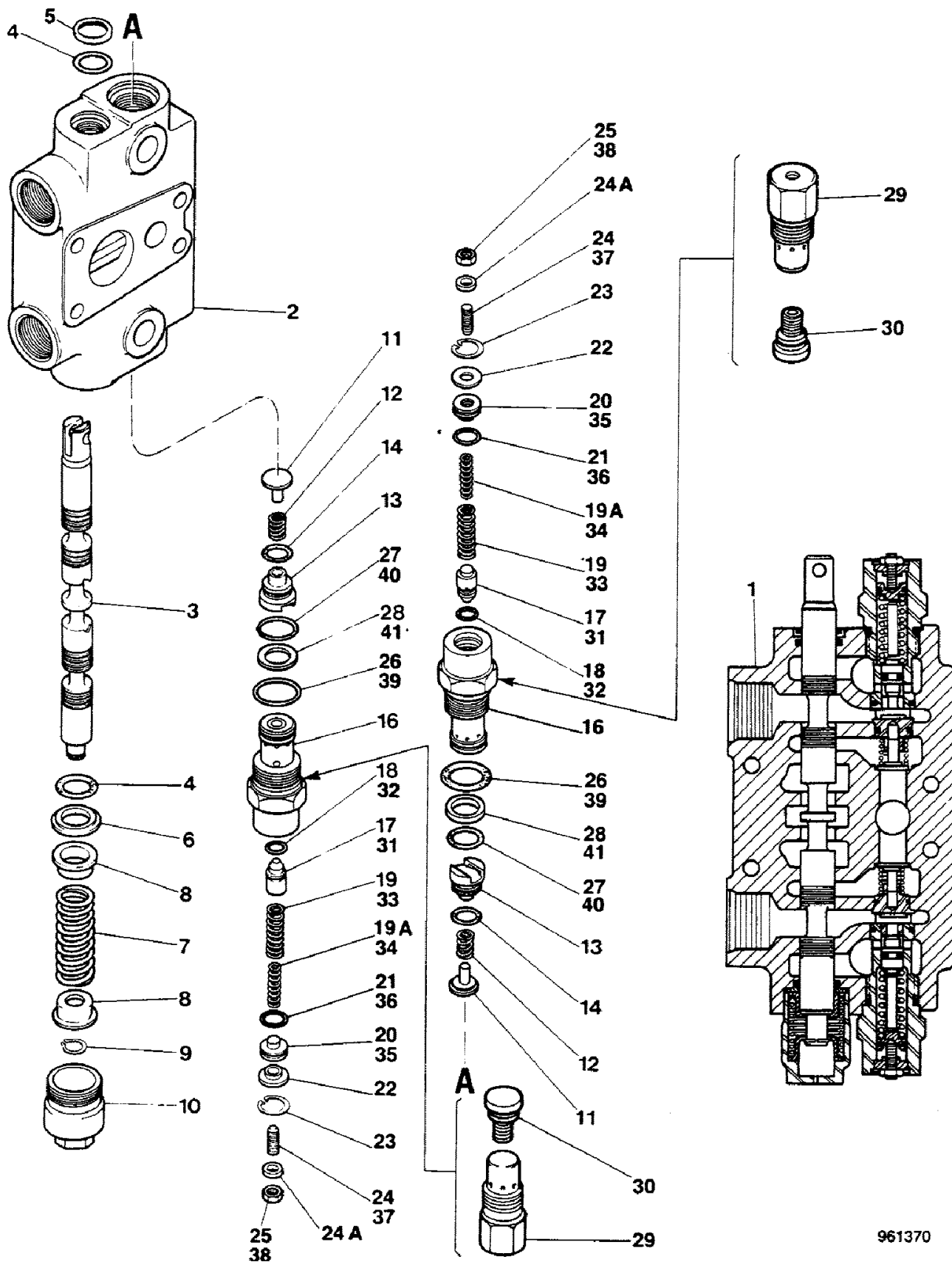
- Please note: If there is no response to CLICKING the link, please download this PDF first and then click on it.

CLICK HERE TO **DOWNLOAD** THE COMPLETE MANUAL

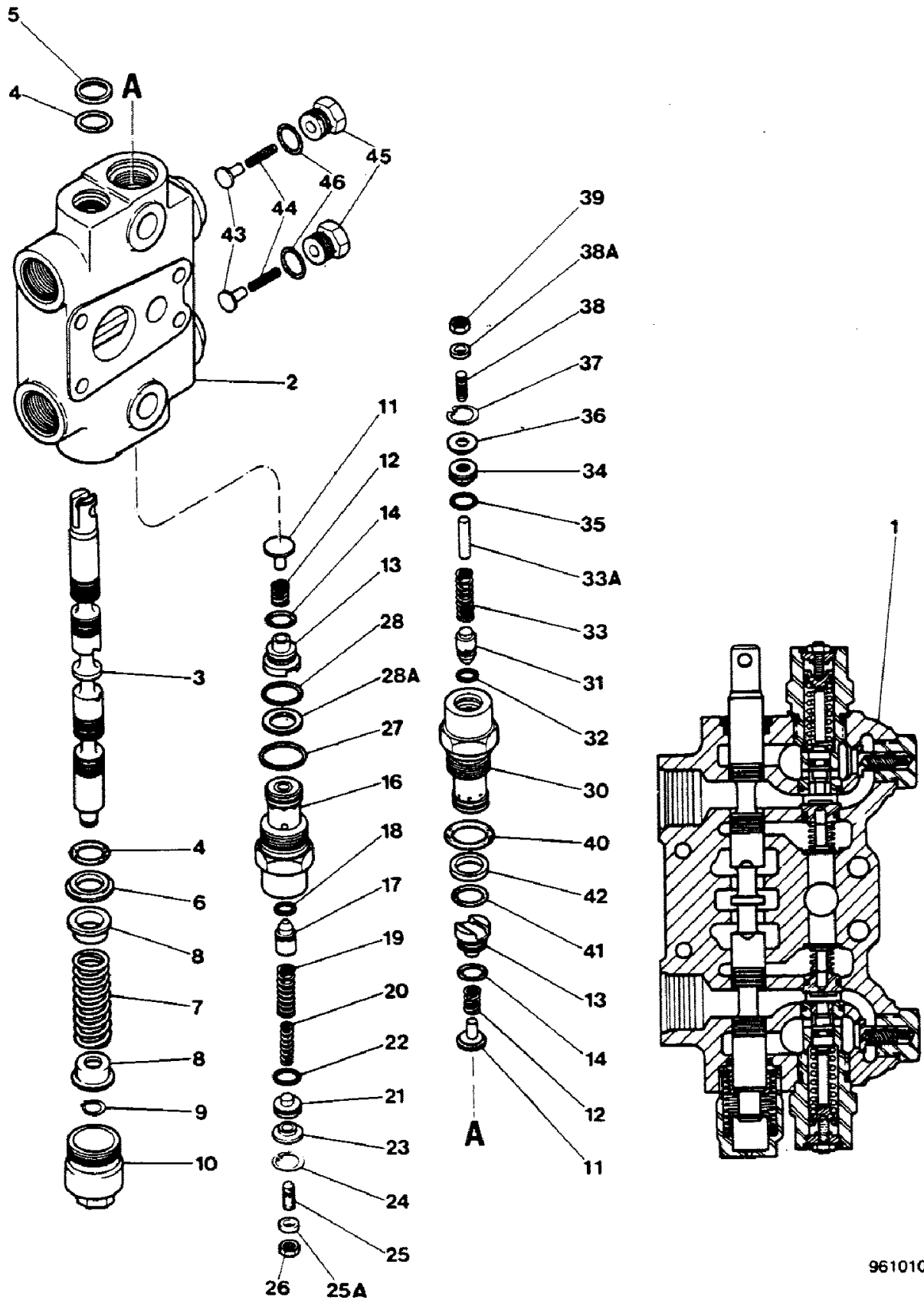
BACKHOE - CONTROL VALVES 4 SPOOLS - FOR AXI.



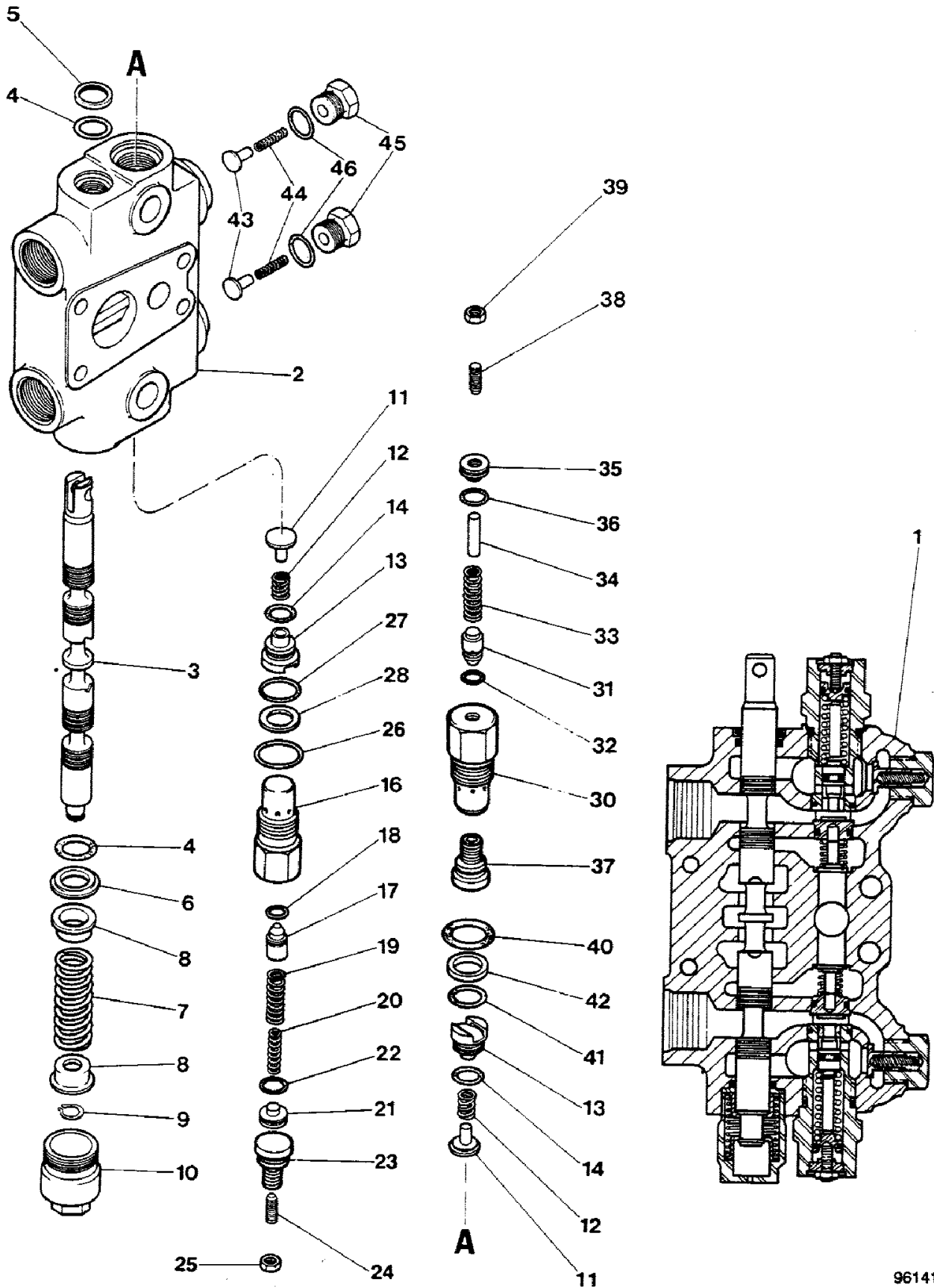
BACKHOE CONTROL VALVE DIPPER AND BUCKET SECTION



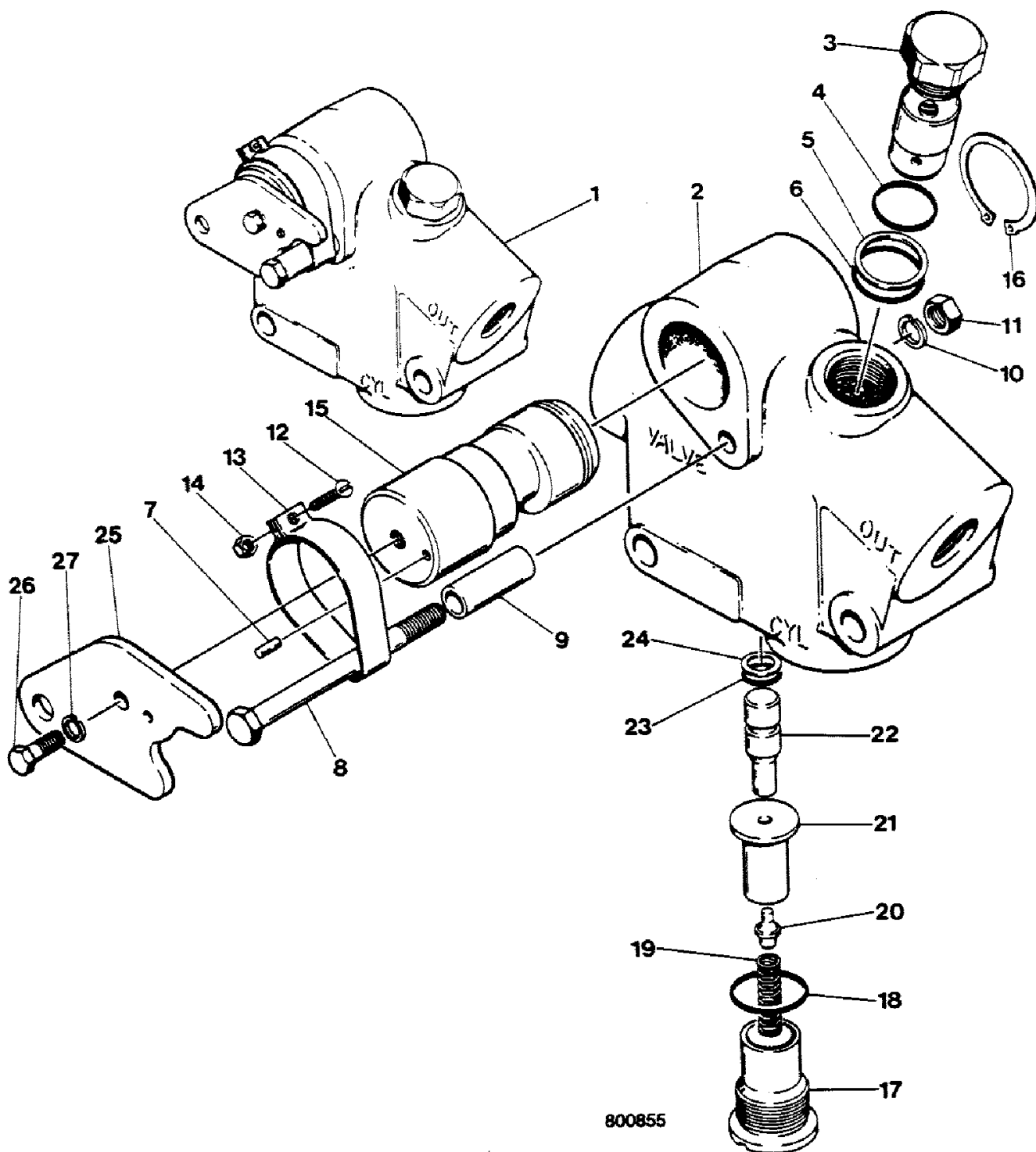
BACKHOE CONTROL VALVE - BOOM SECTION



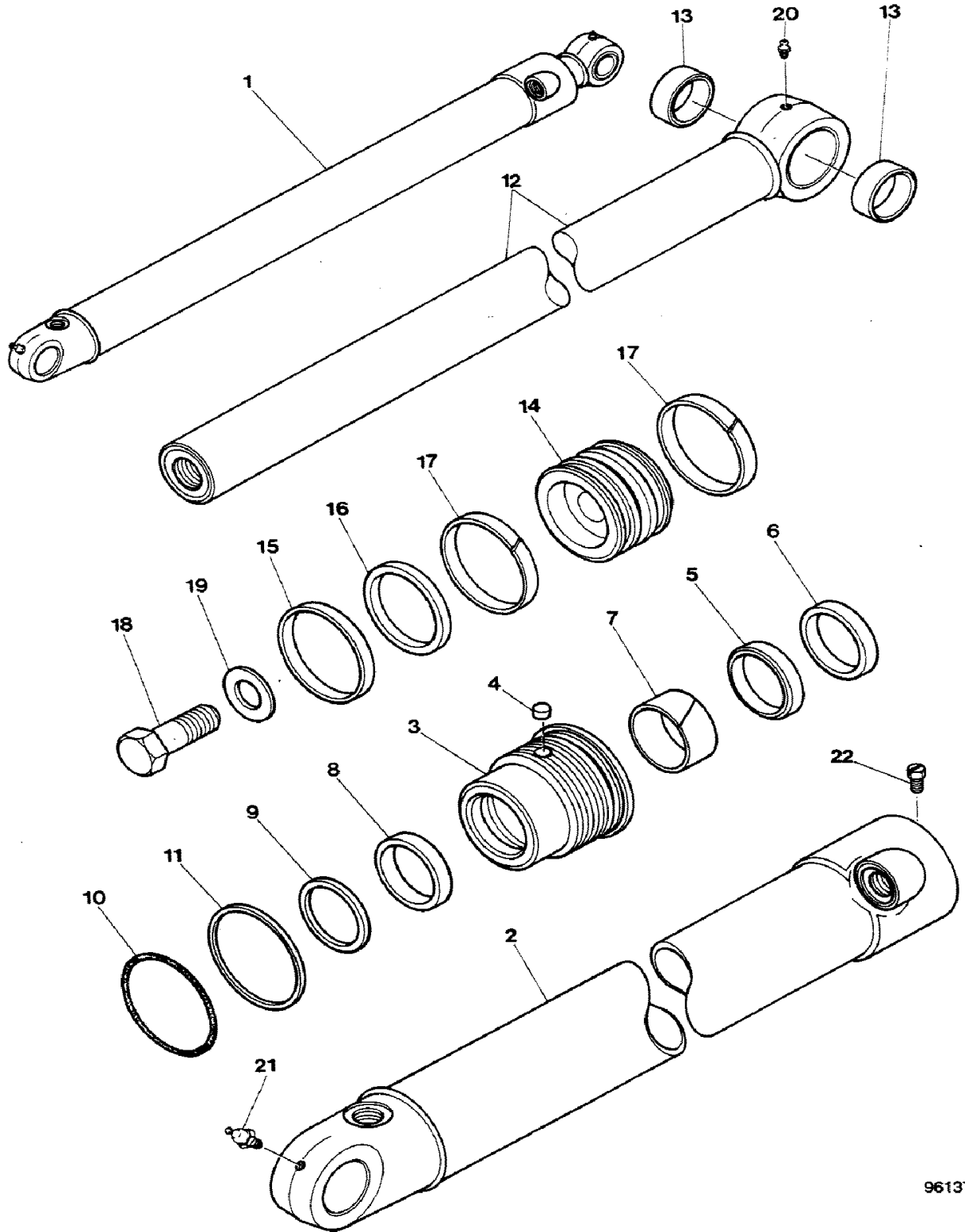
BACKHOE CONTROL VALVE - BOOM SECTION



BACKHOE - BOOM LOCK VALVE



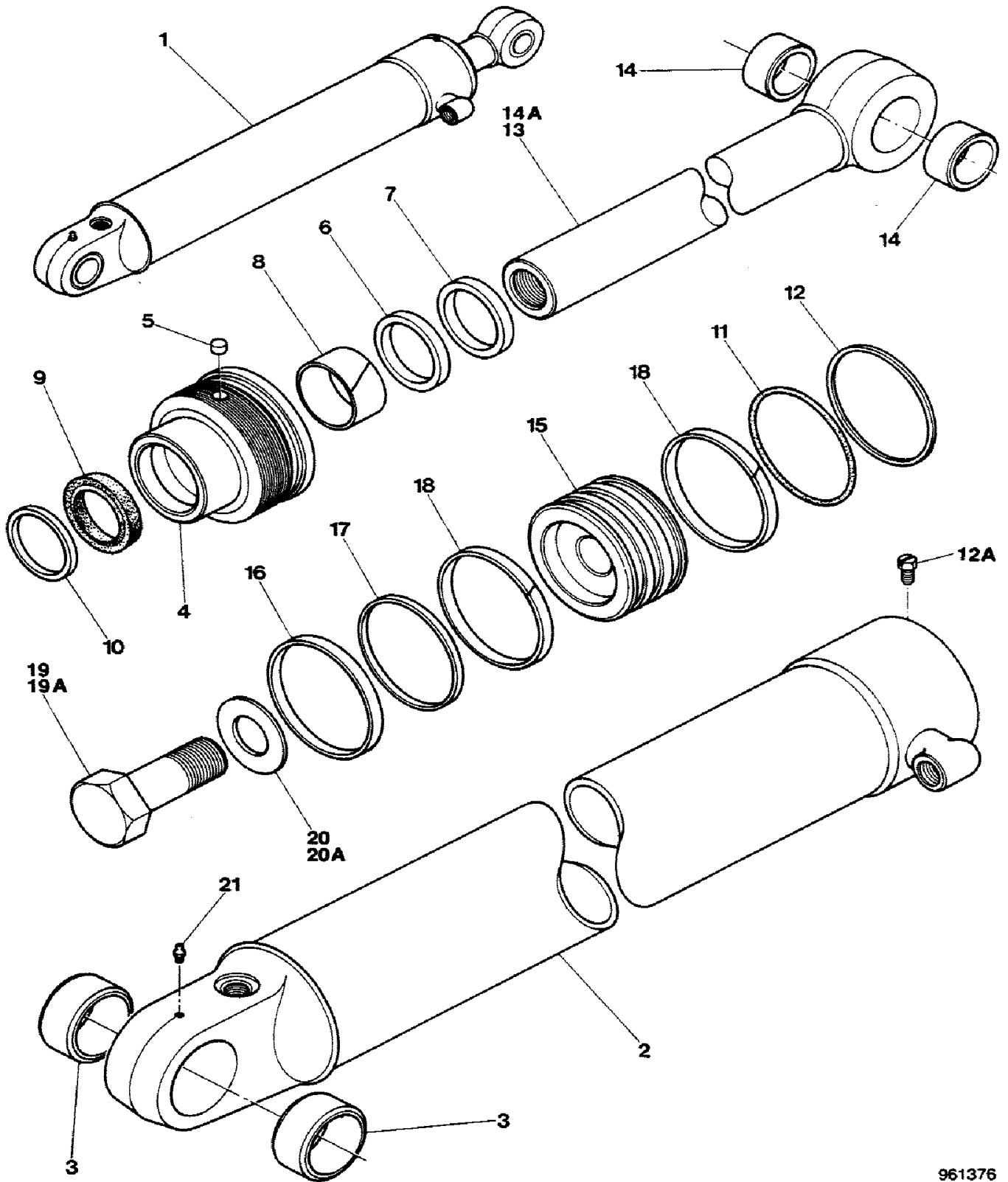
LOADER - LIFT CYLINDERS



961373

The cylinder assembly part number, is stamped on some cylinder glands or tubes

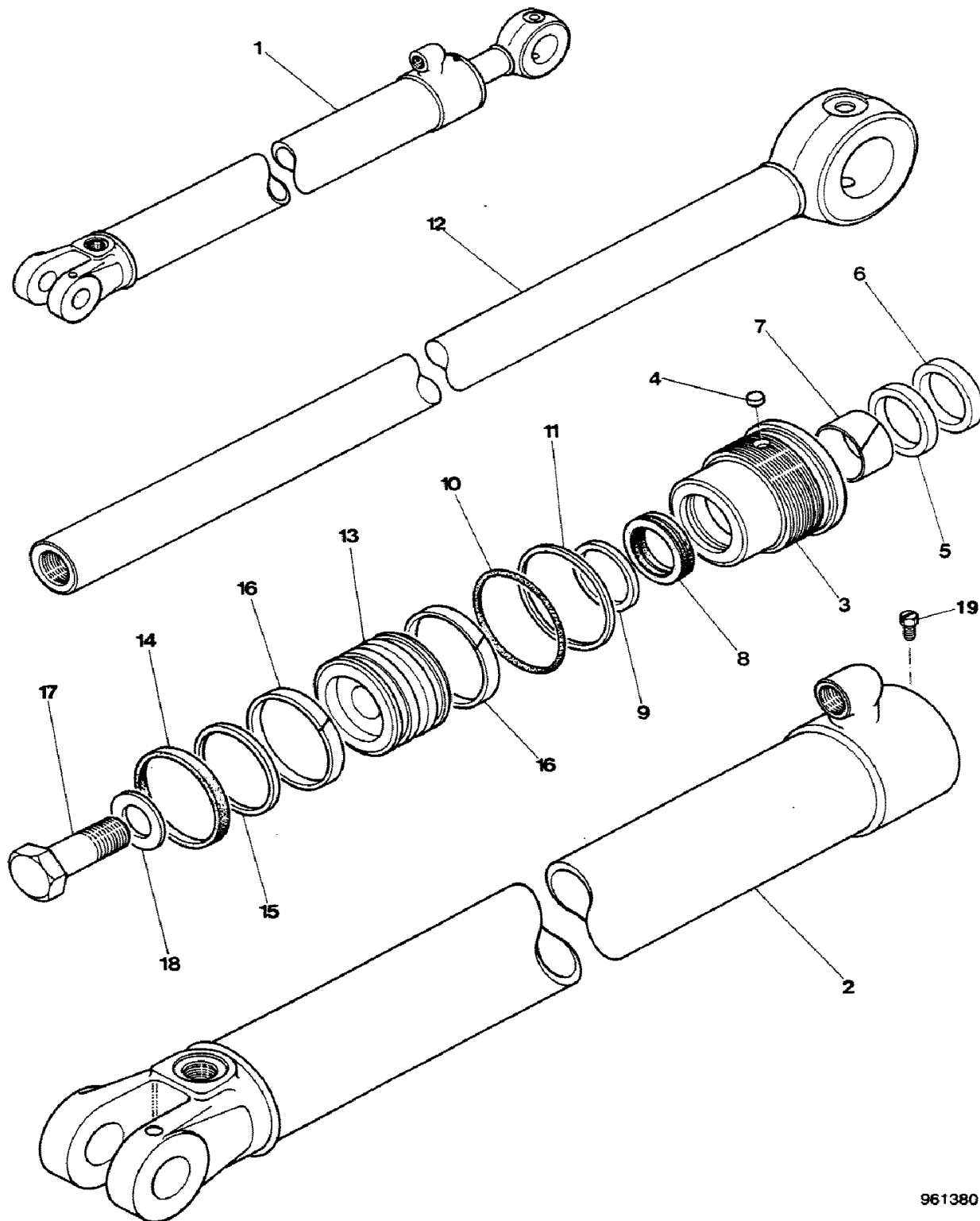
AXIAL BACKHOE - STABILIZER CYLINDERS



961376

The cylinder assembly part number, is stamped on some cylinder glands or tubes

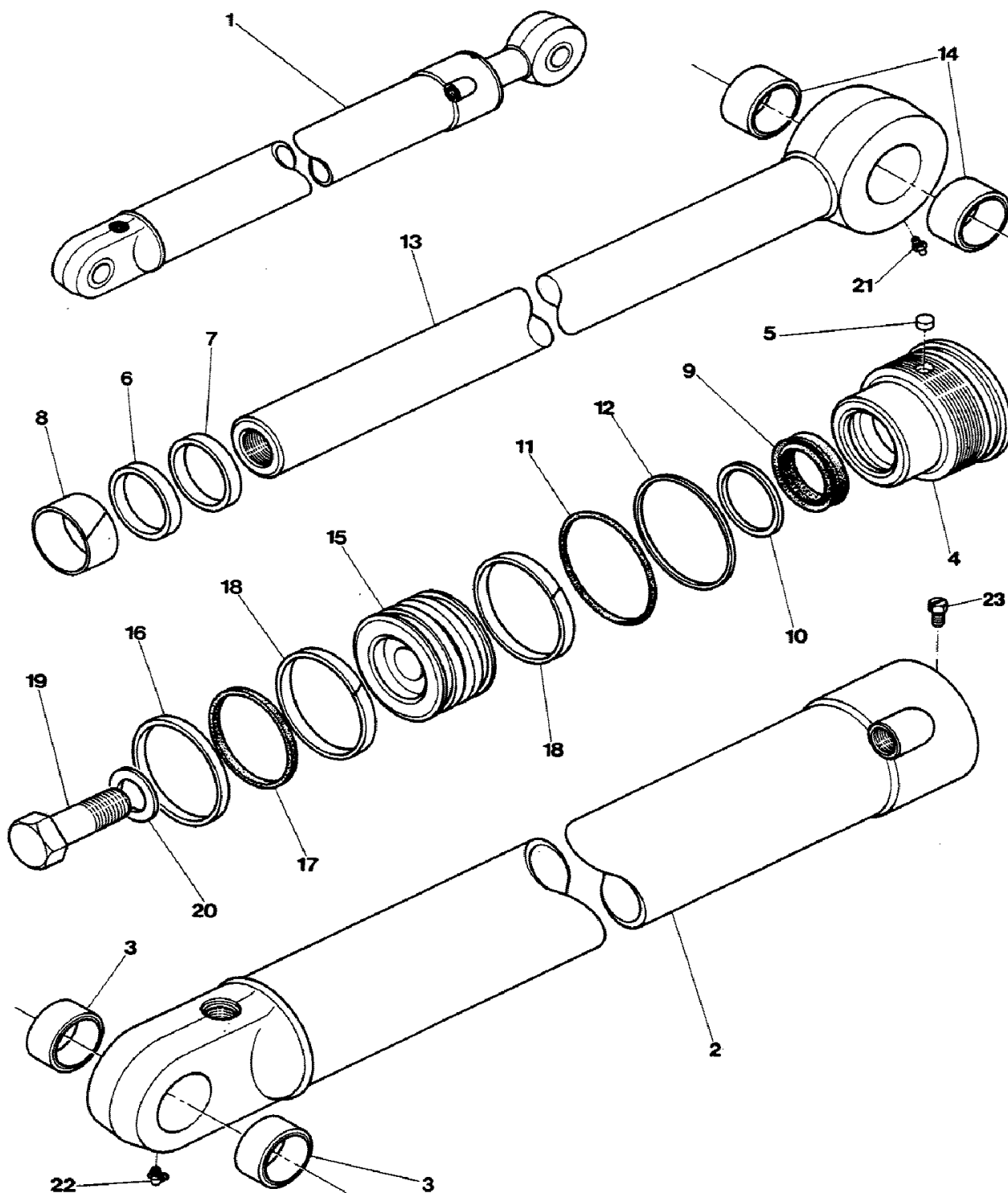
BACKHOE - BOOM CYLINDER



961380

The cylinder assembly part number, is stamped on some cylinder glands or tubes

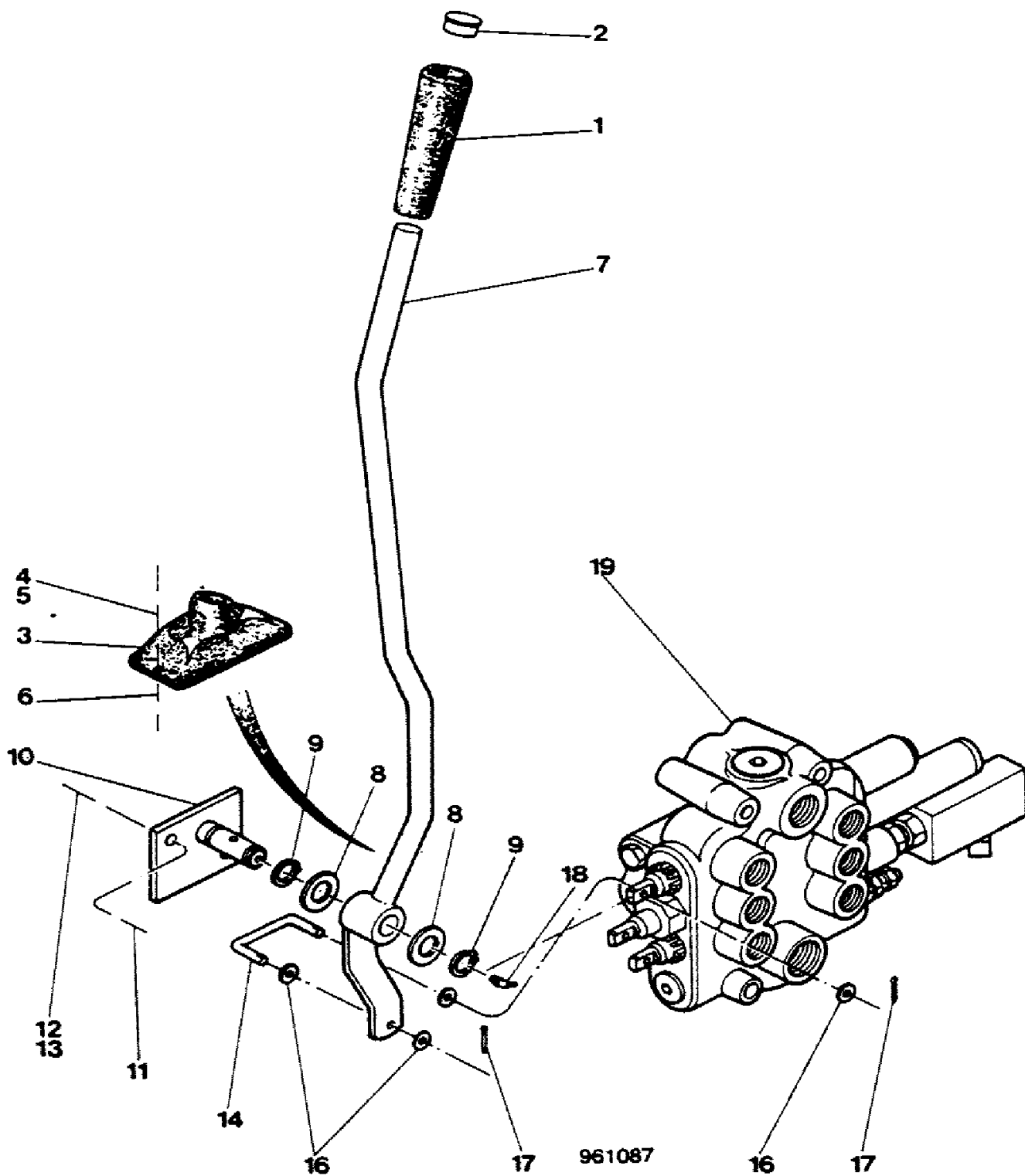
BACKHOE - BUCKET CYLINDER



961382

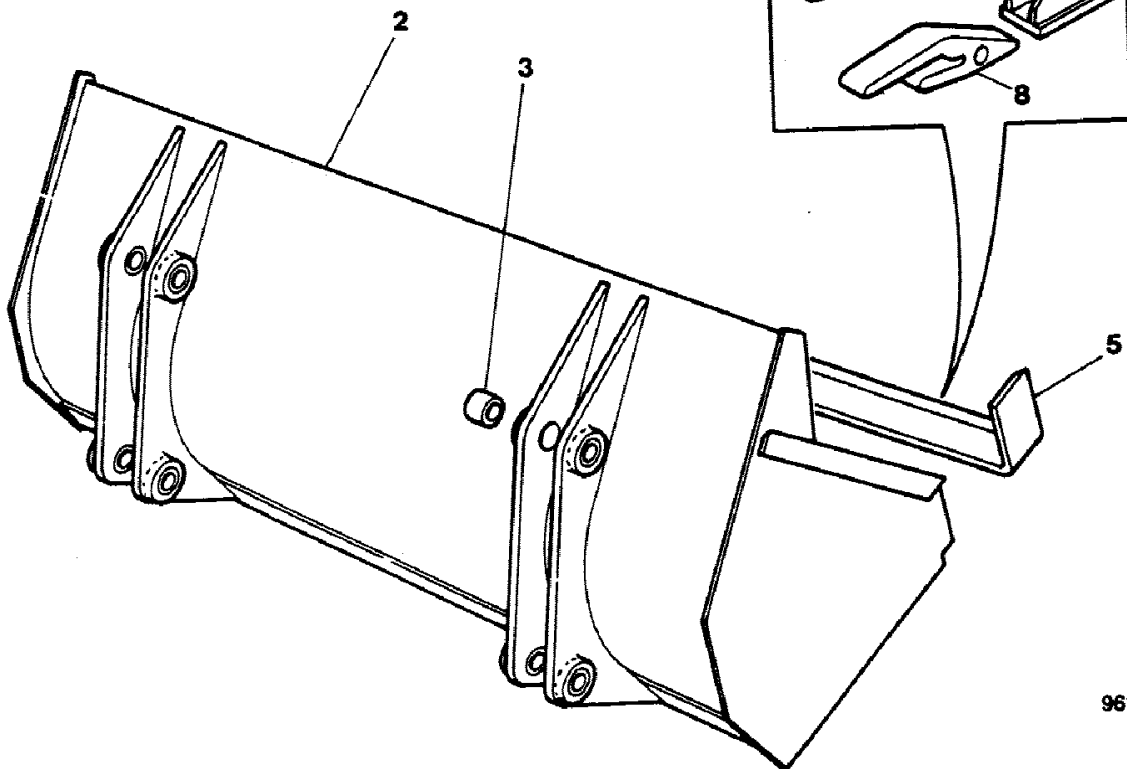
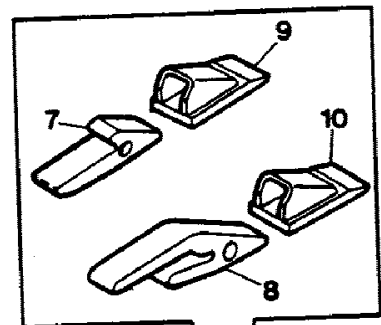
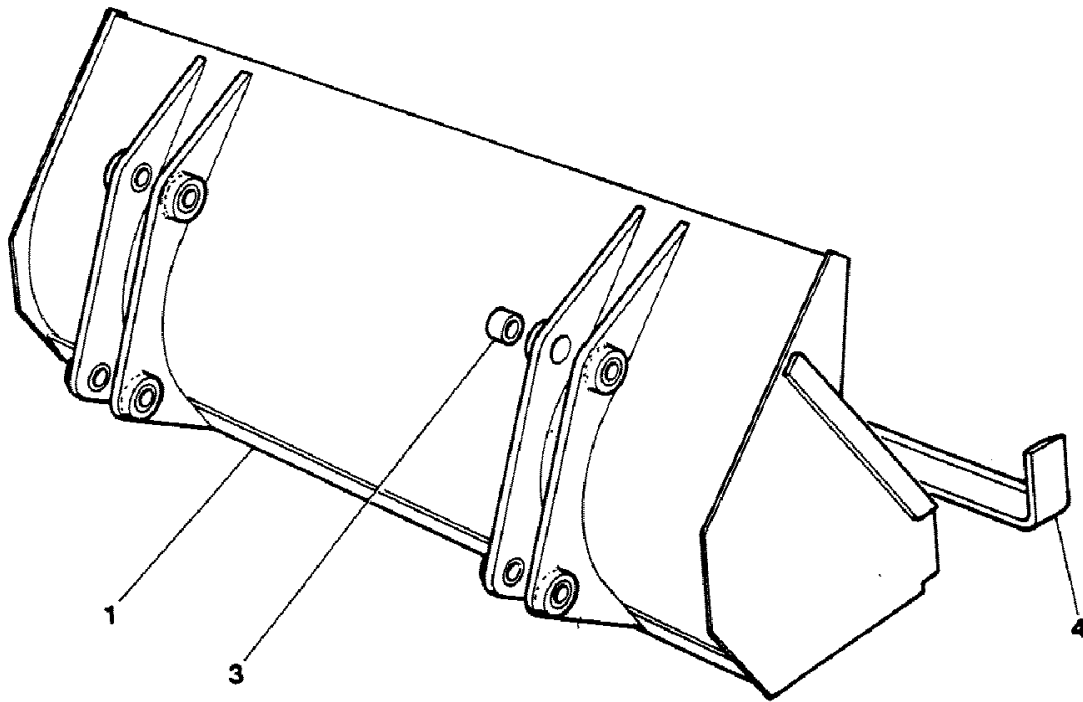
The cylinder assembly part number, is stamped on some cylinder glands or tubes

LOADER CONTROLS - CLAM SPOOL

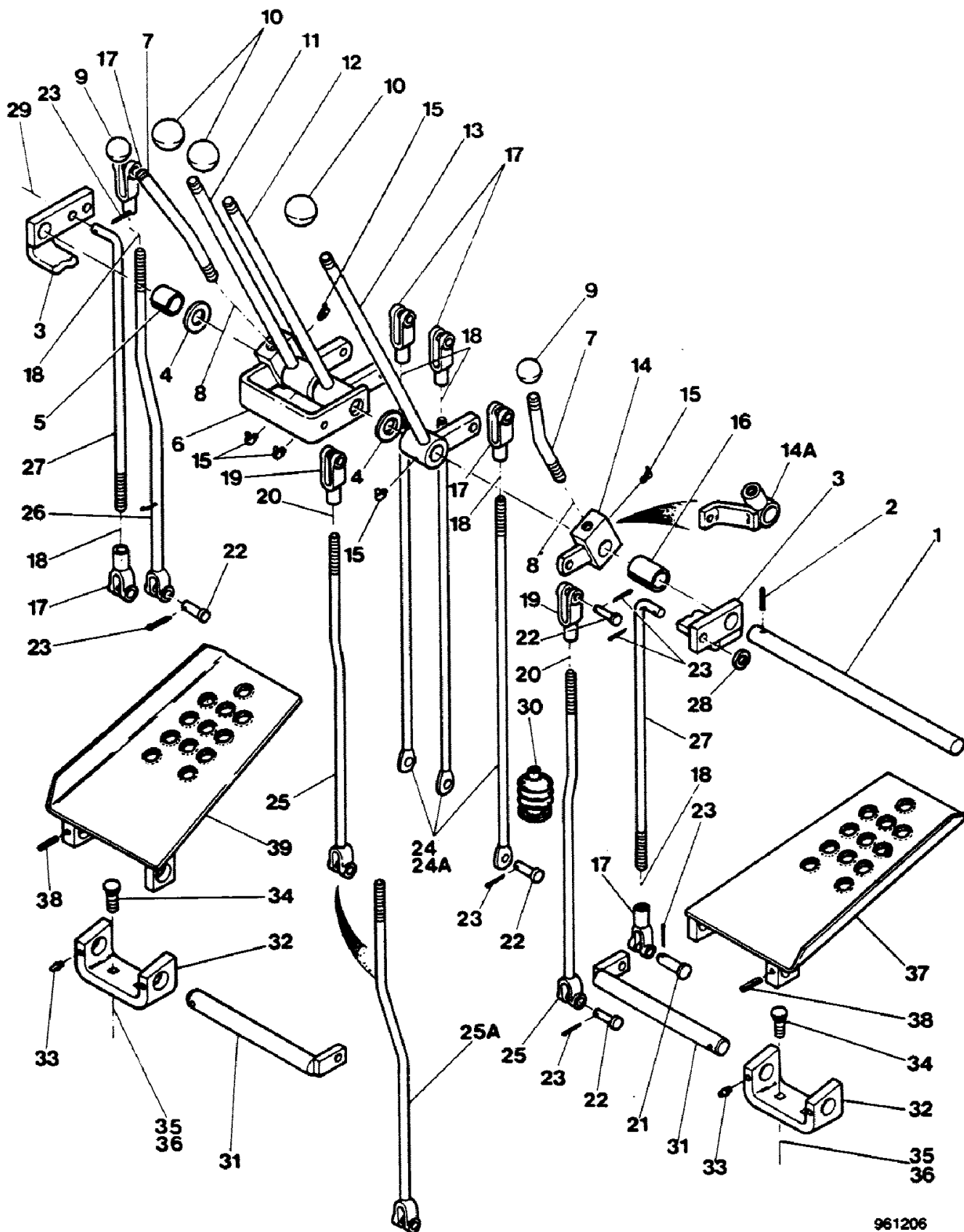


See other option Figure 532

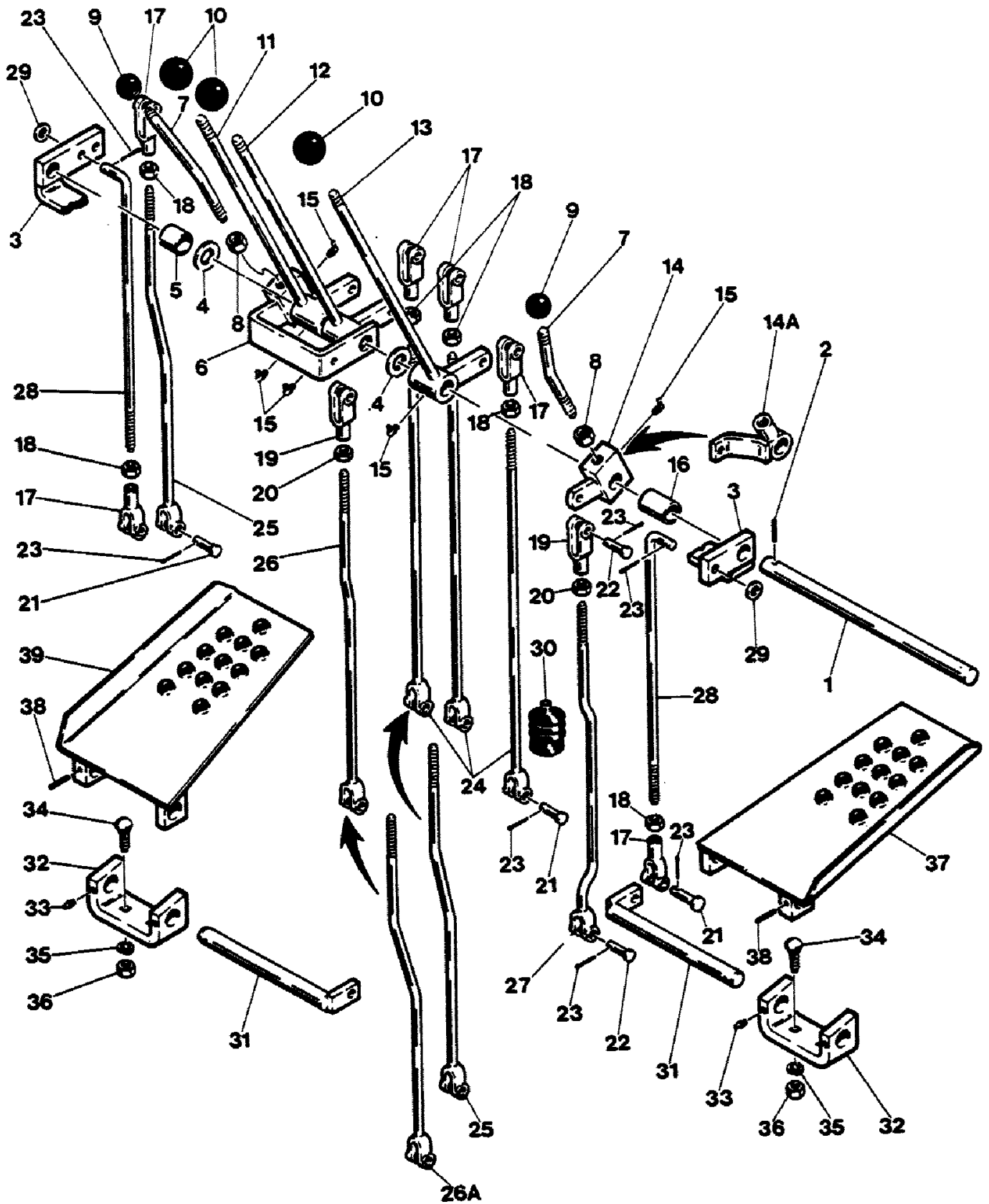
LOADER - BUCKETS



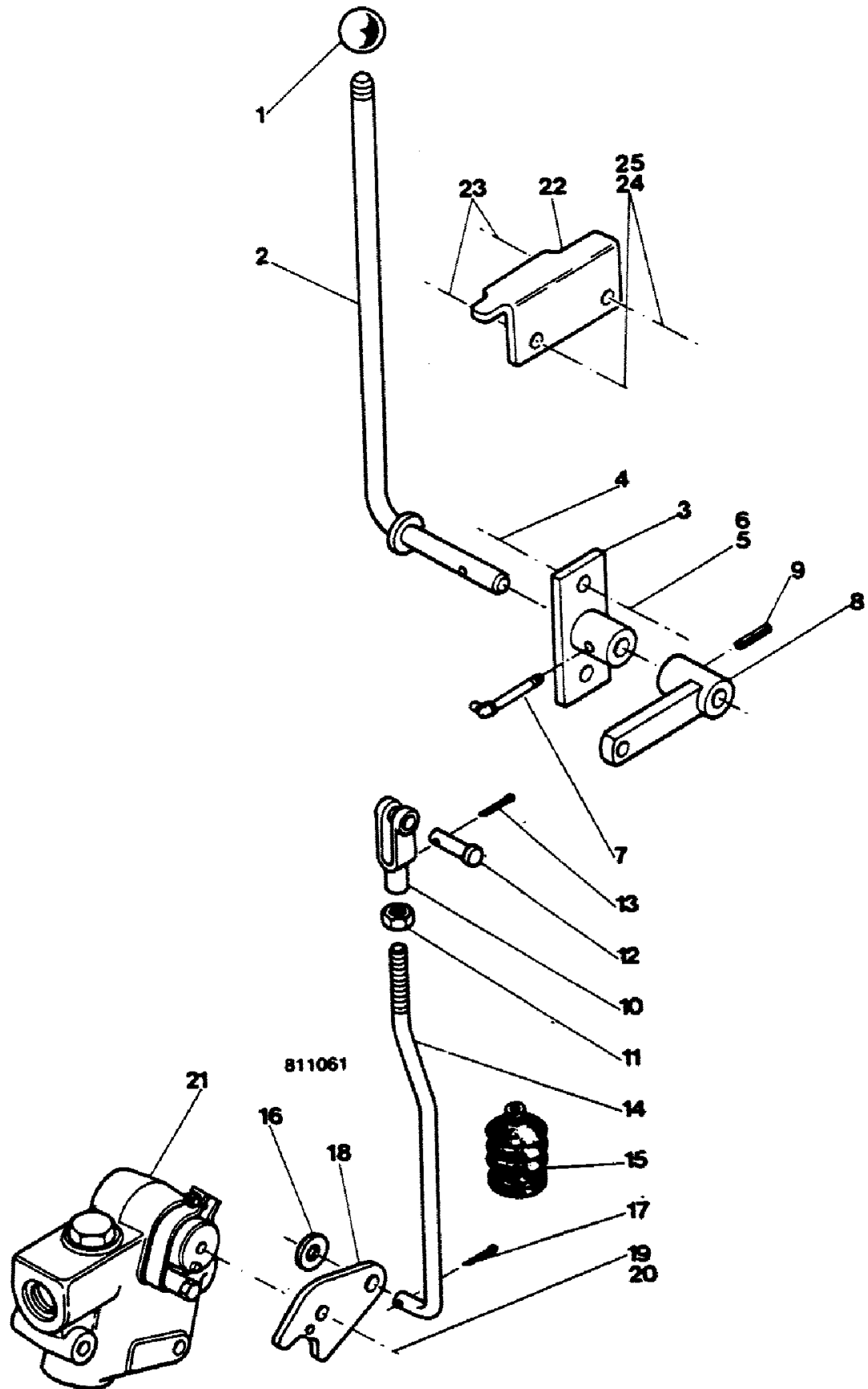
AXIAL BACKHOE - CONTROLS WITH FOOT SWING



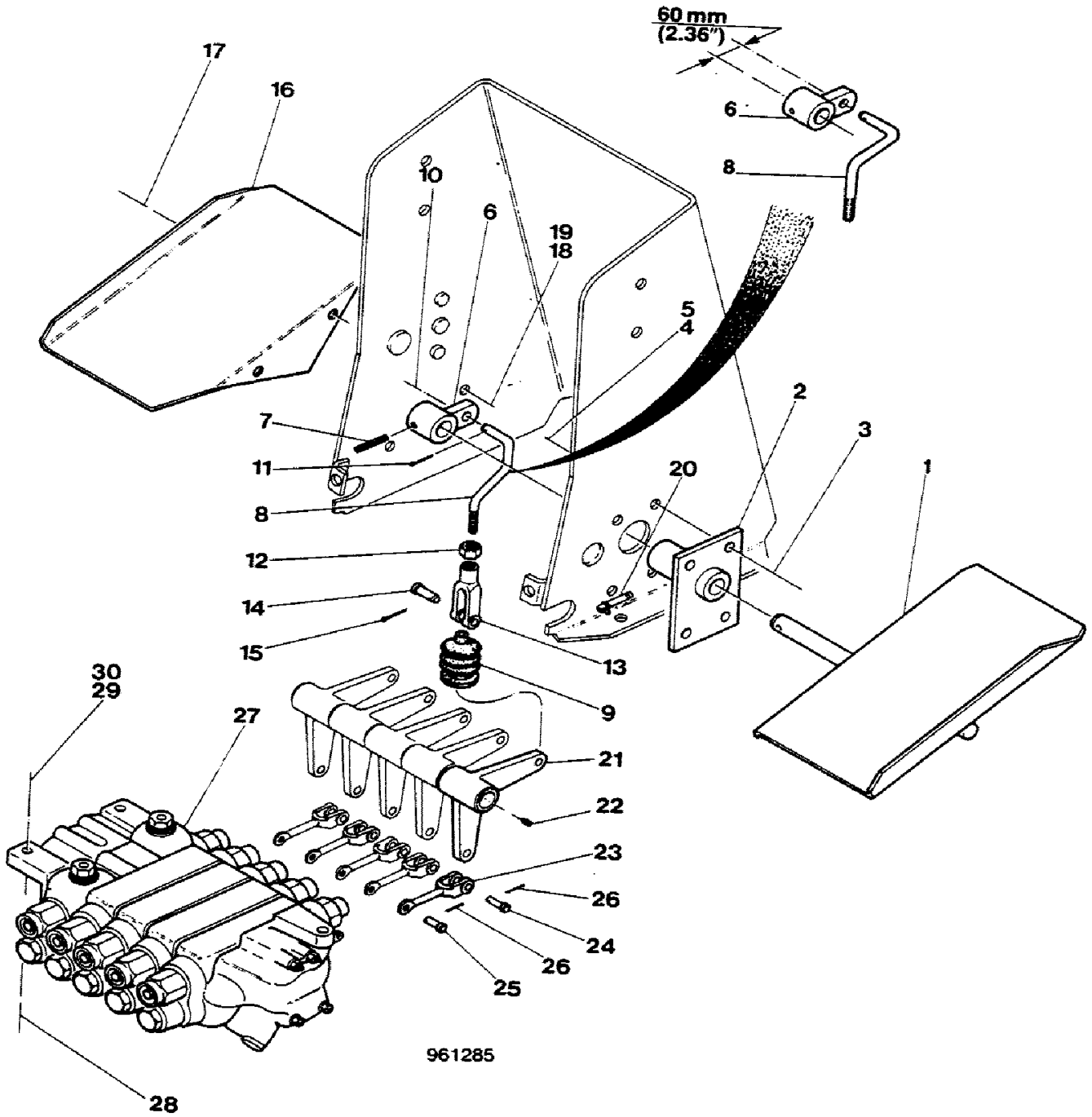
SIDESHIFT BACKHOE - CONTROLS WITH FOOT SWING



AXIAL BACKHOE - BOOM LOCK CONTROL

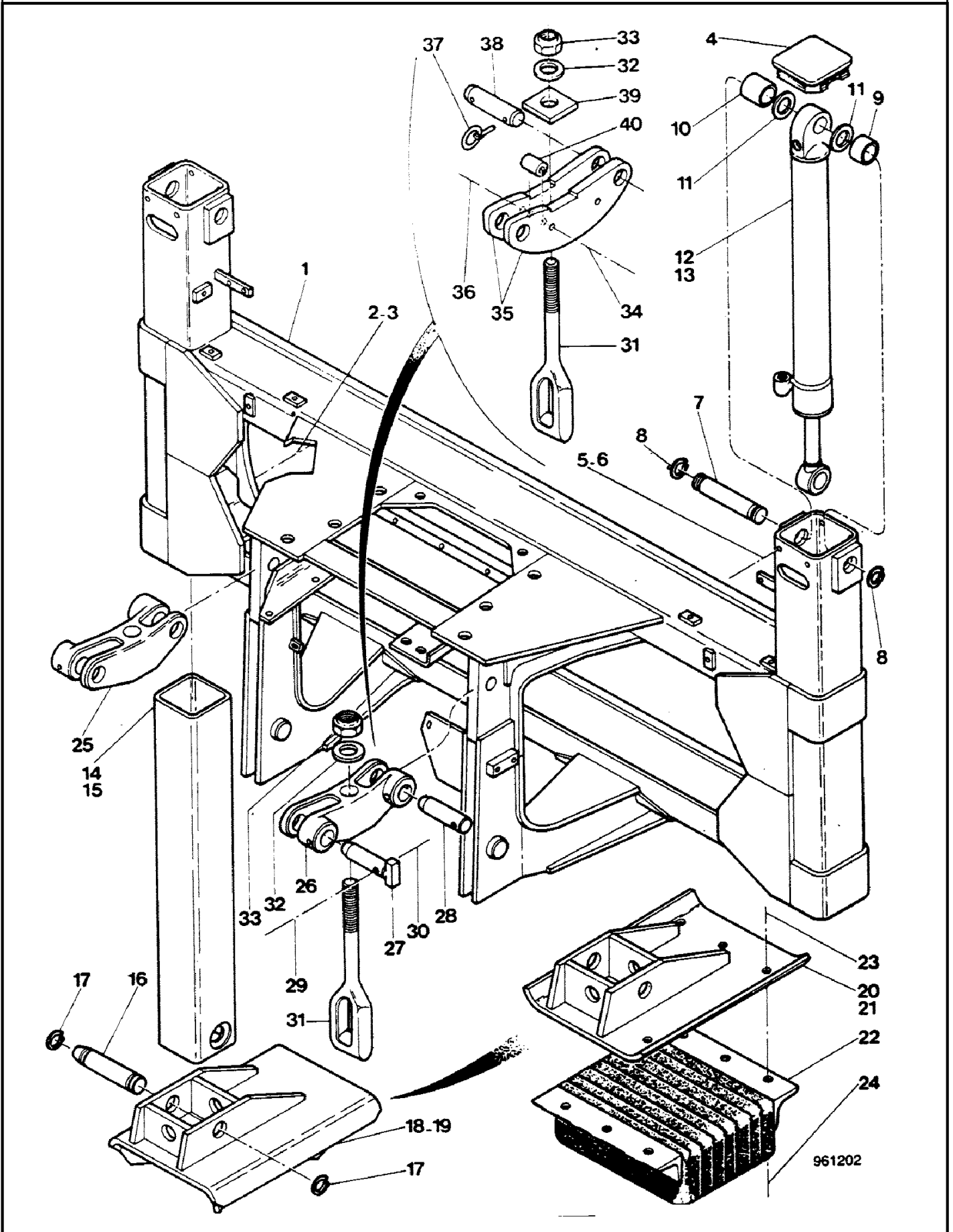


SIDESHIFT BACKHOE - EXTENDABLE DIPPER CONTROL - UP TO NO. 3.948.949

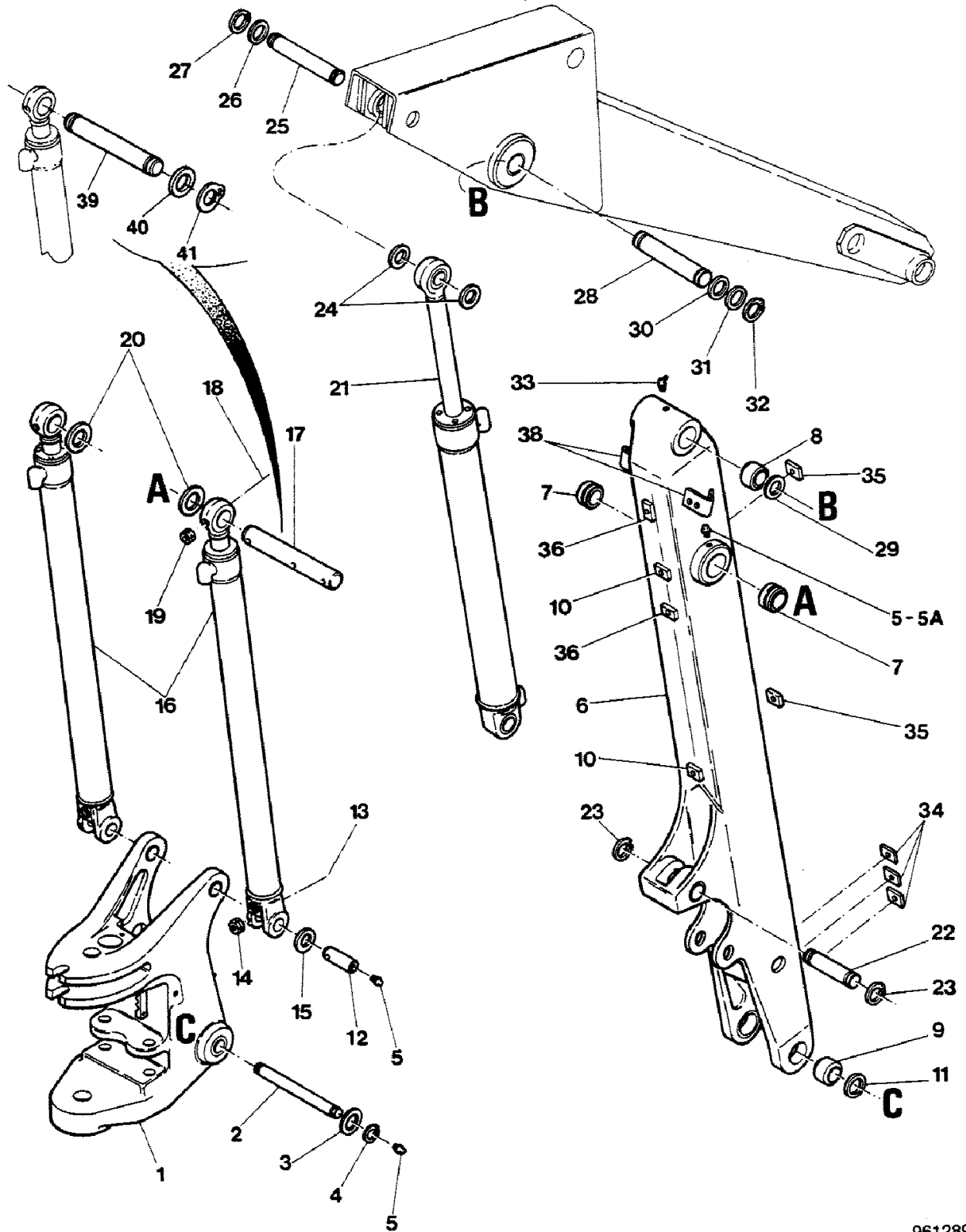


For hand swing controls

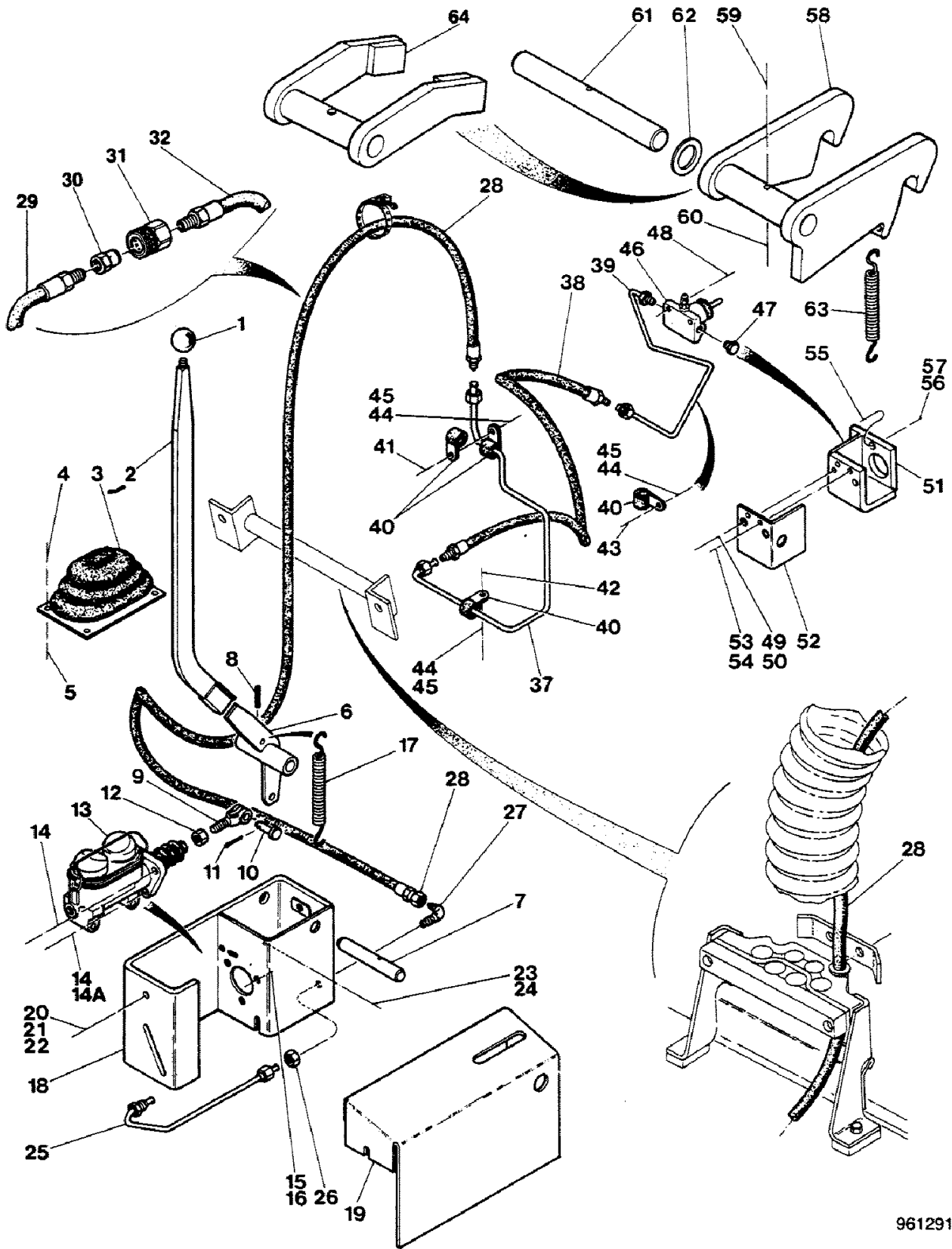
SIDESHIFT BACKHOE - MOUNTING FRAME AND STABILIZERS



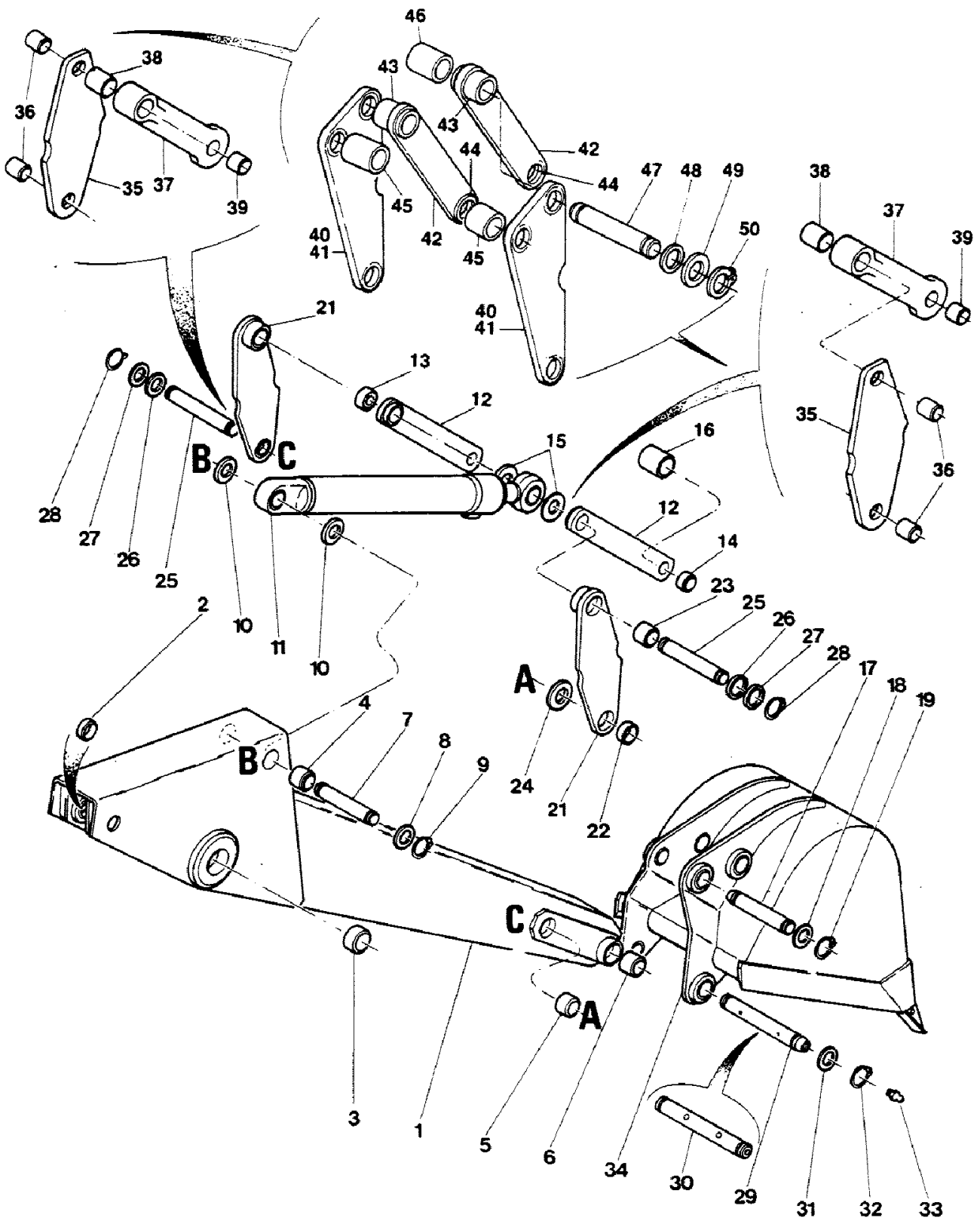
AXIAL BACKHOE - BOOM



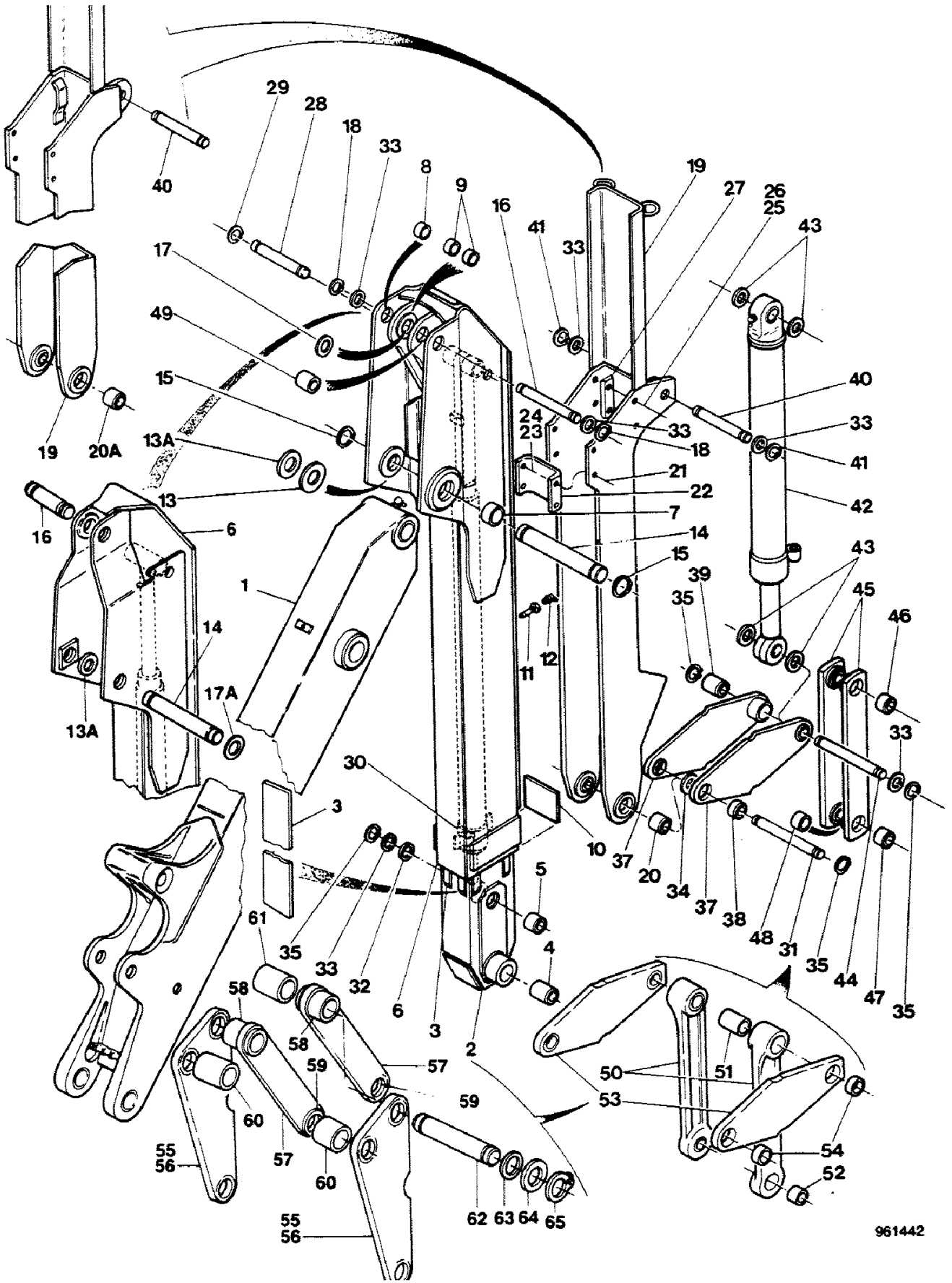
SIDESHIFT BACKHOE - BOOM LATCH, TRANSPORT



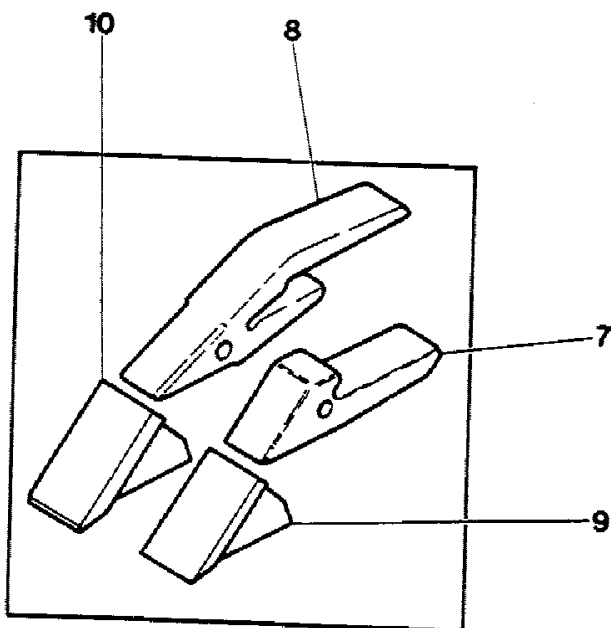
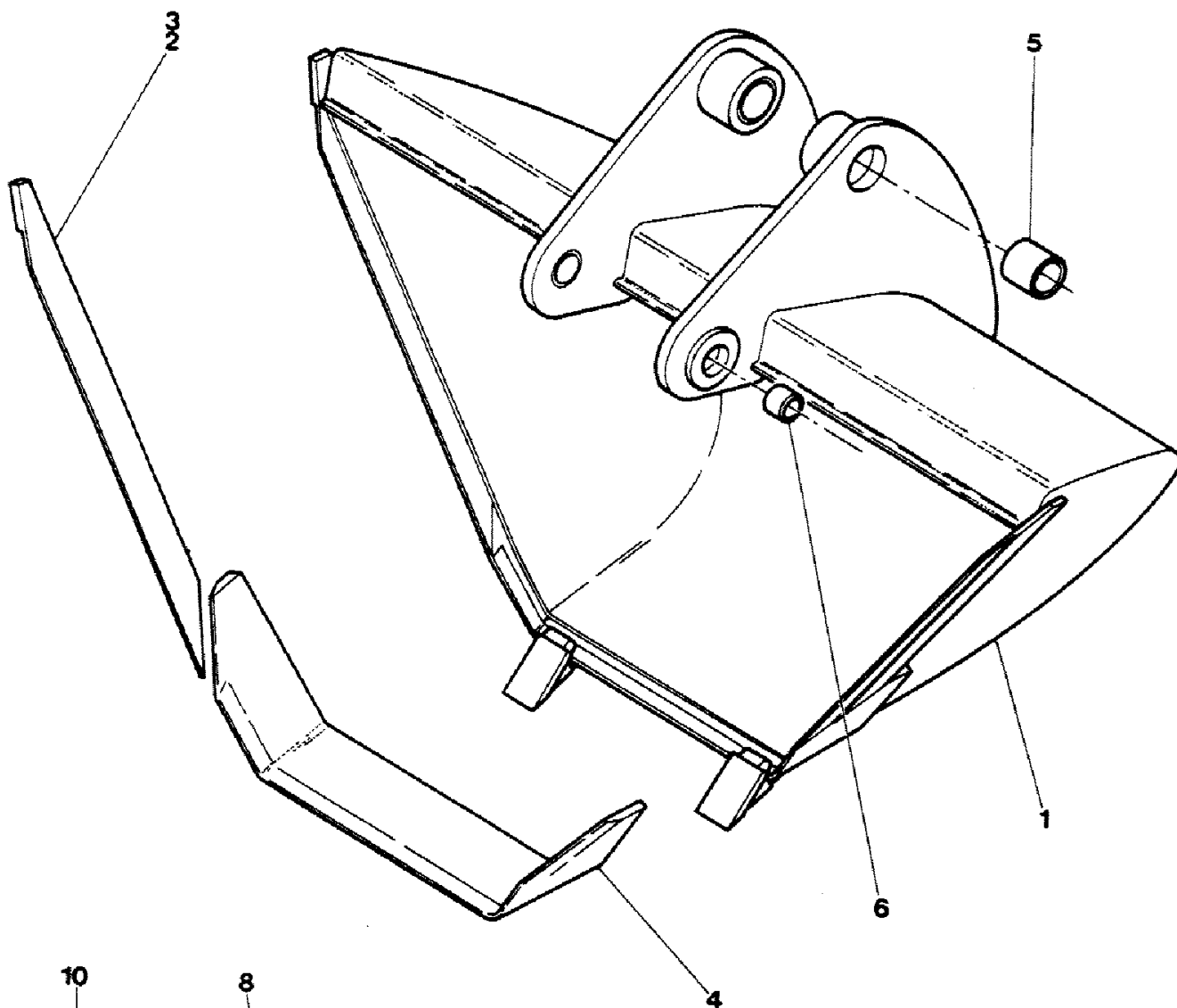
BACKHOE - DIPPER AND BUCKET



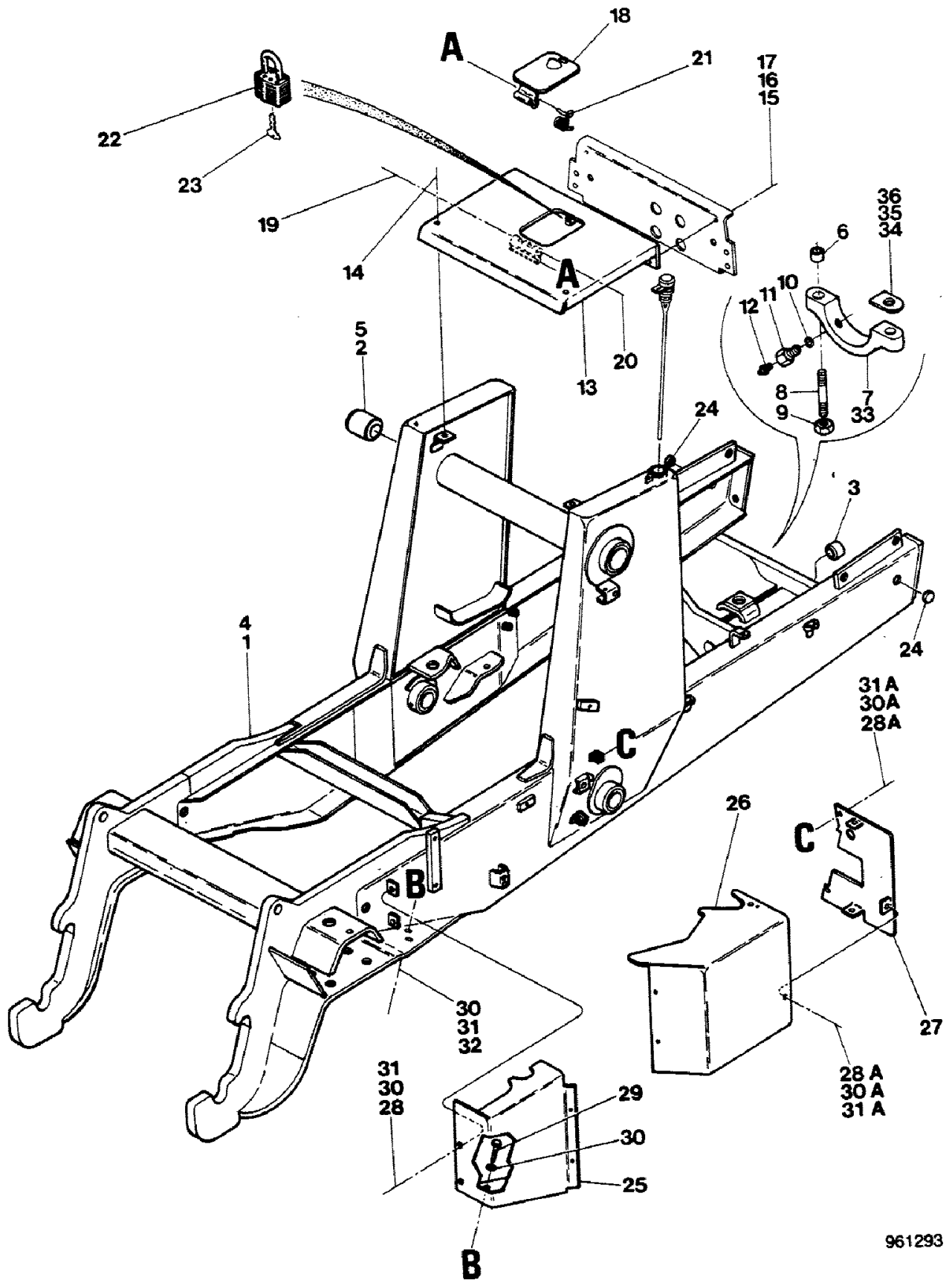
BACKHOE - EXTENDABLE DIPPER



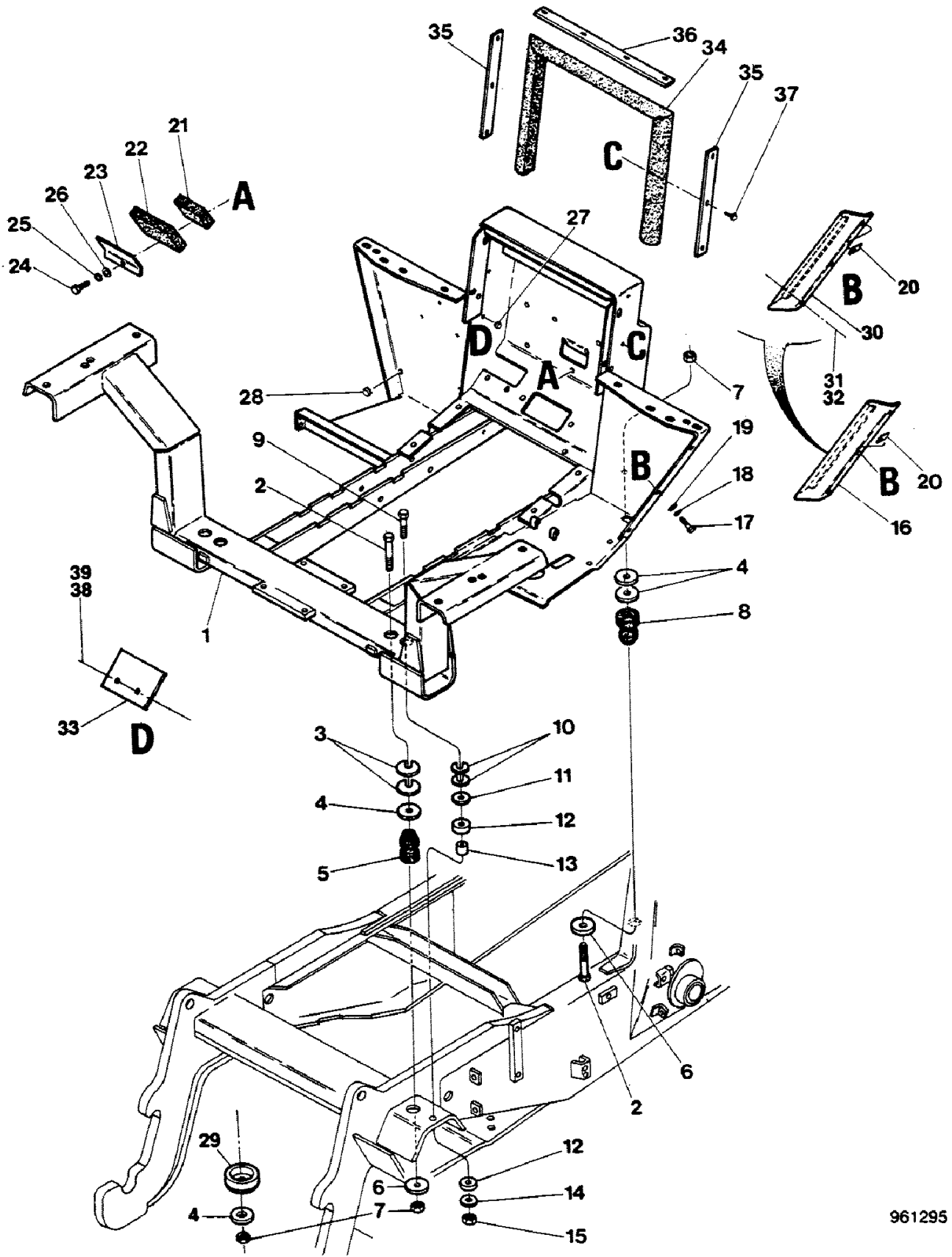
BACKHOE - DITCH DIGGING BUCKET



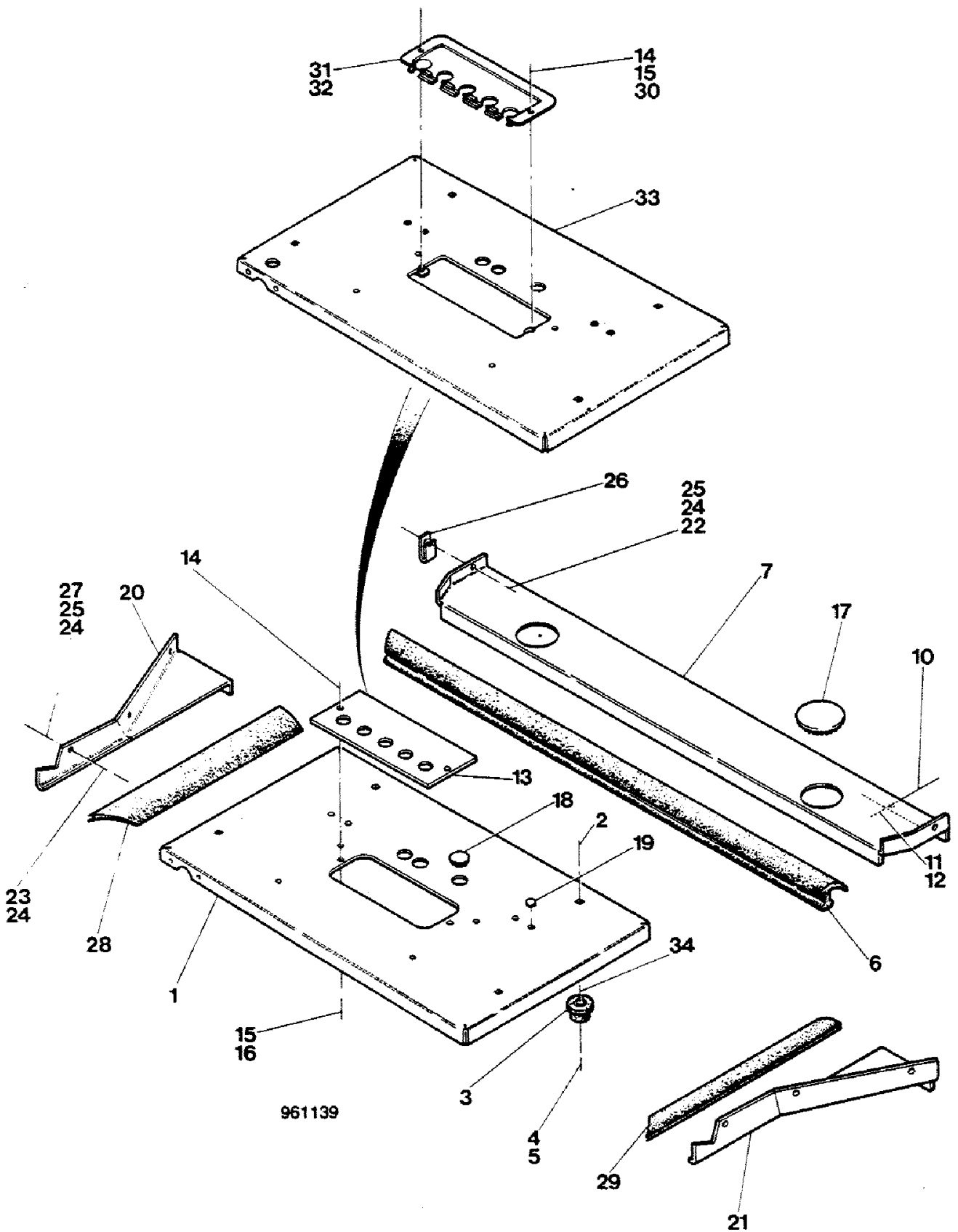
LOADER - CHASSIS AND CONTROL VALVE COVER



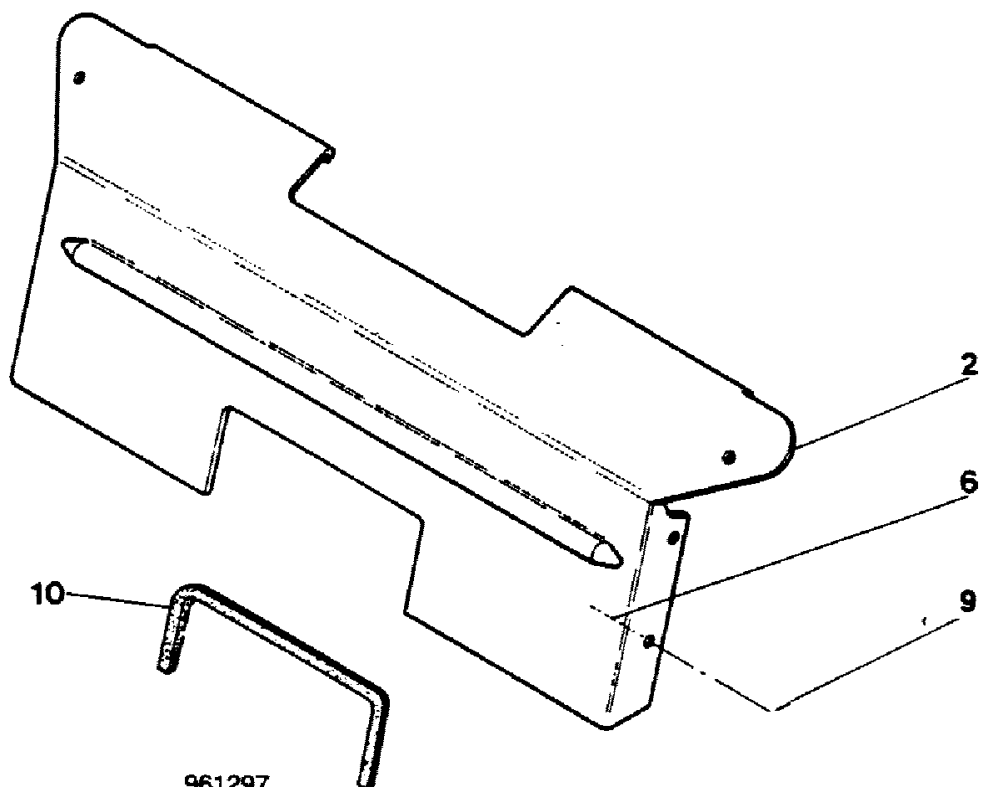
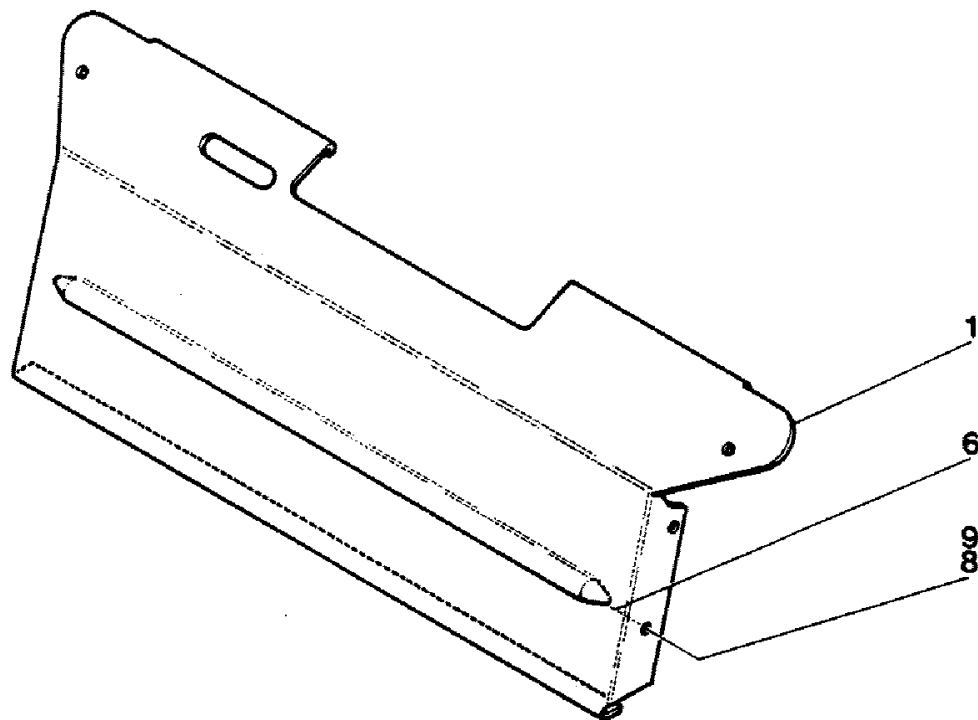
OPERATORS COMPARTMENT FRAME AND MOUNTING



REAR FLOOR PLATES - AXIAL BACKHOE

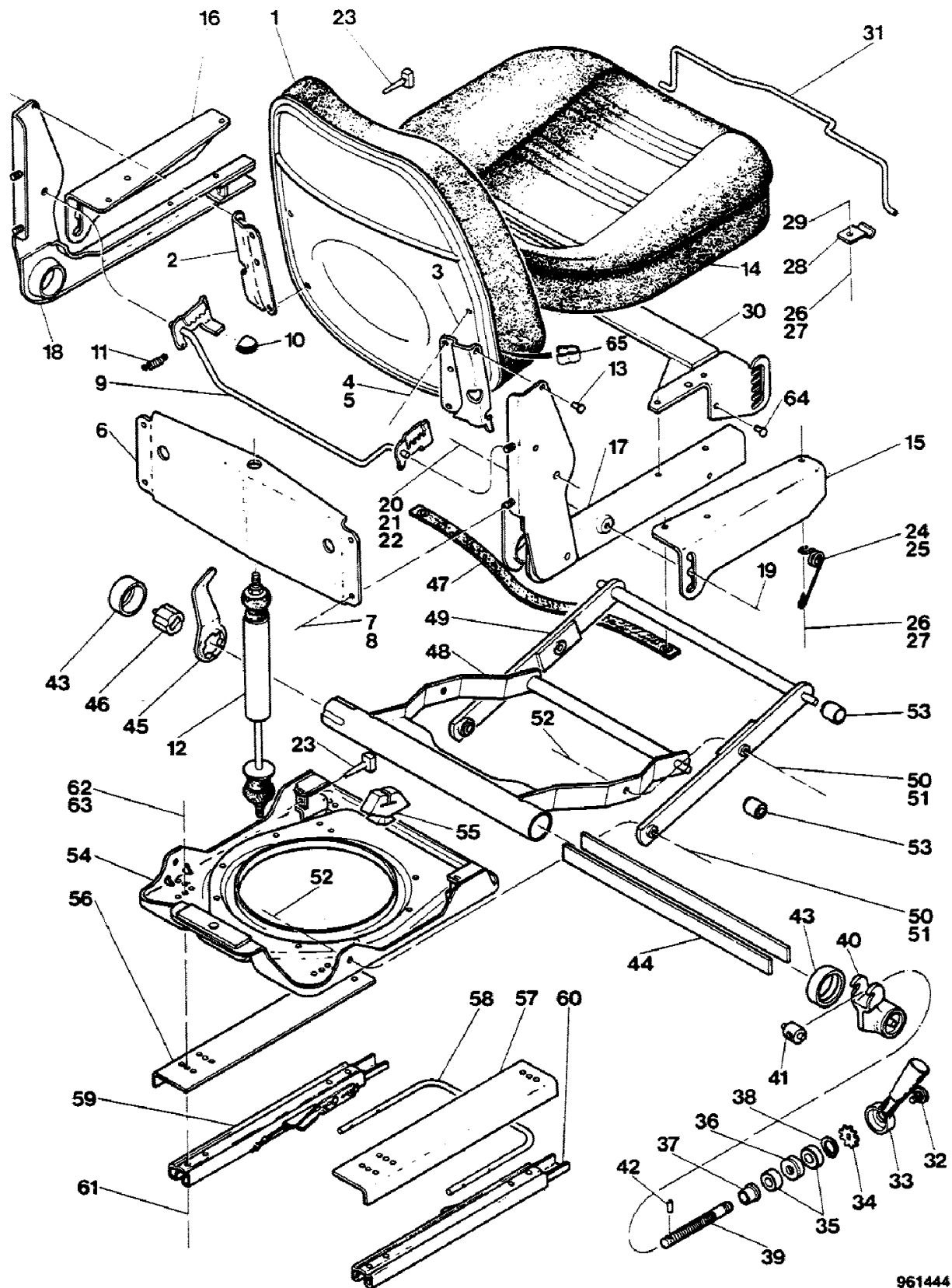


REAR CLOSURE PANELS - WITHOUT CAB

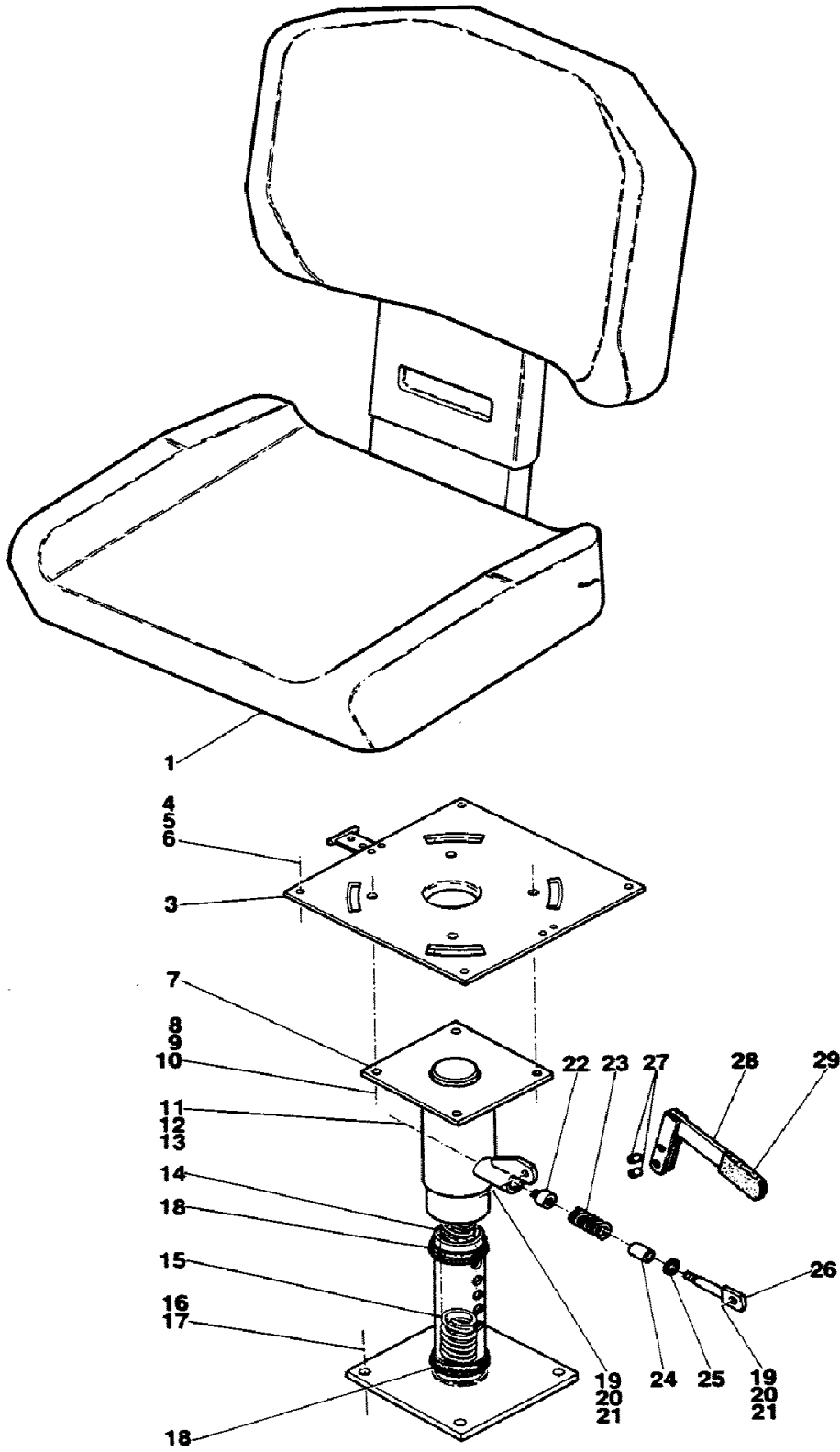


961297

SEAT (BOSTROM)



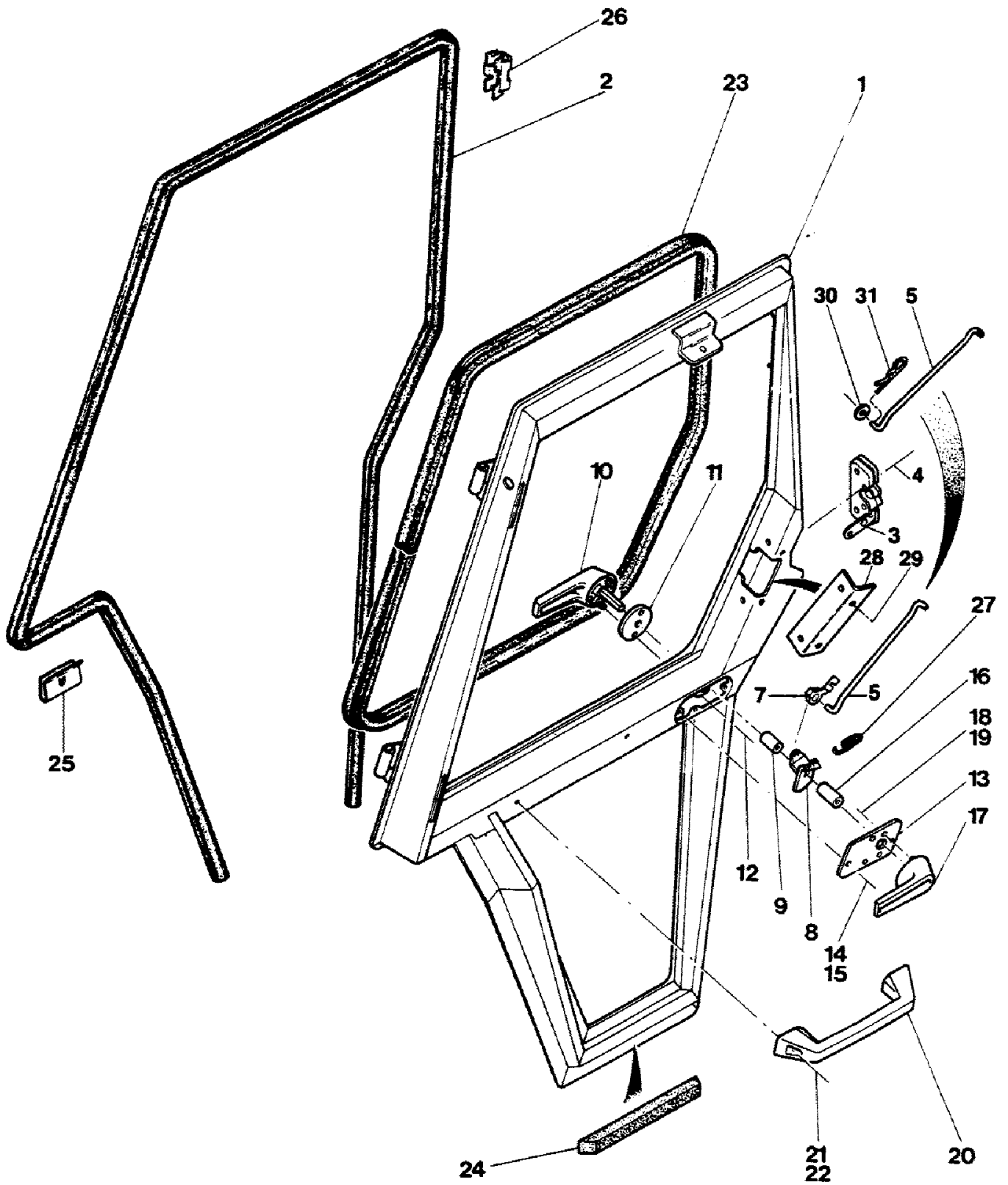
SEAT MOUNTING PARTS AND SEAT BELT, UP TO NO. 3.941.044



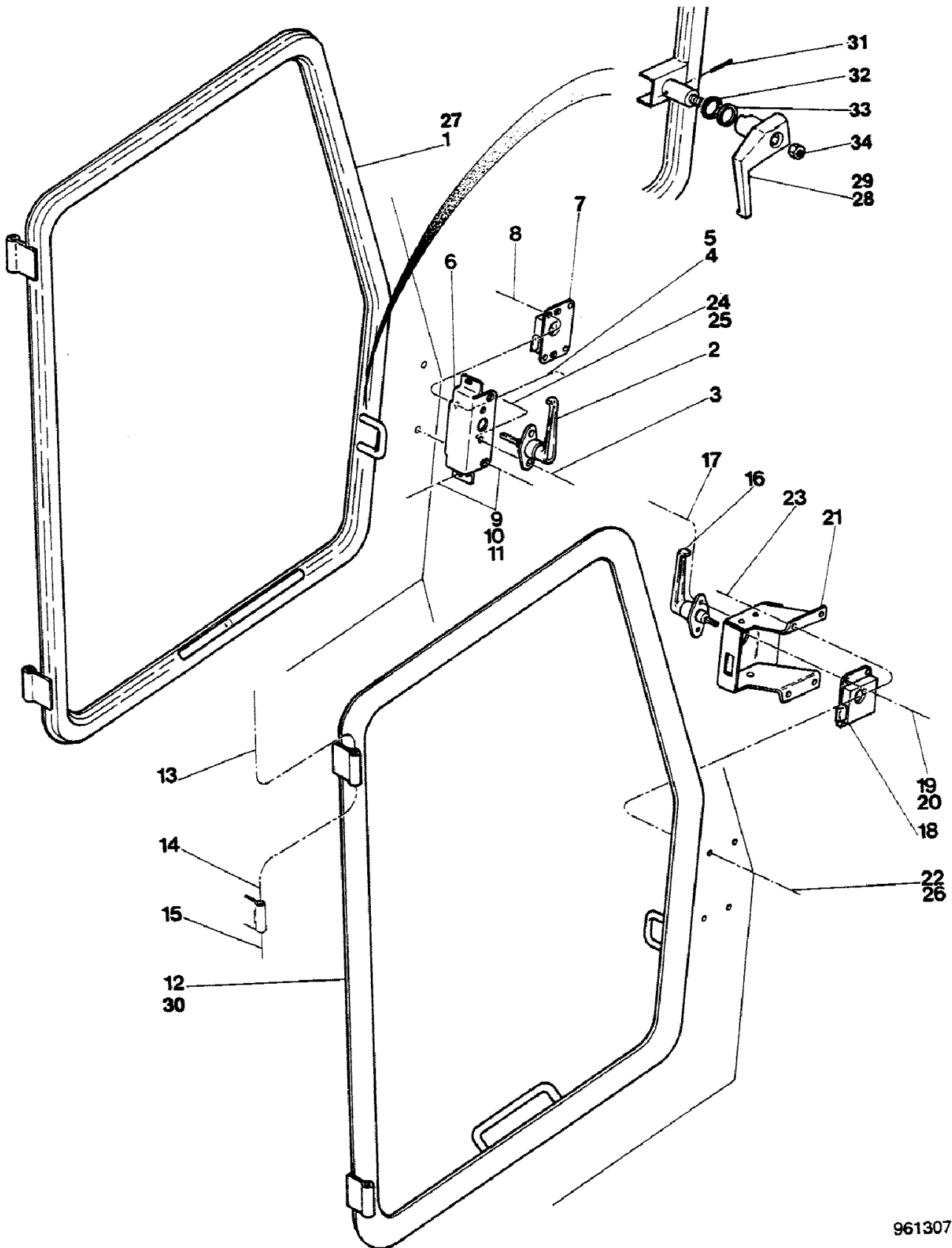
961302

With Sifra seat

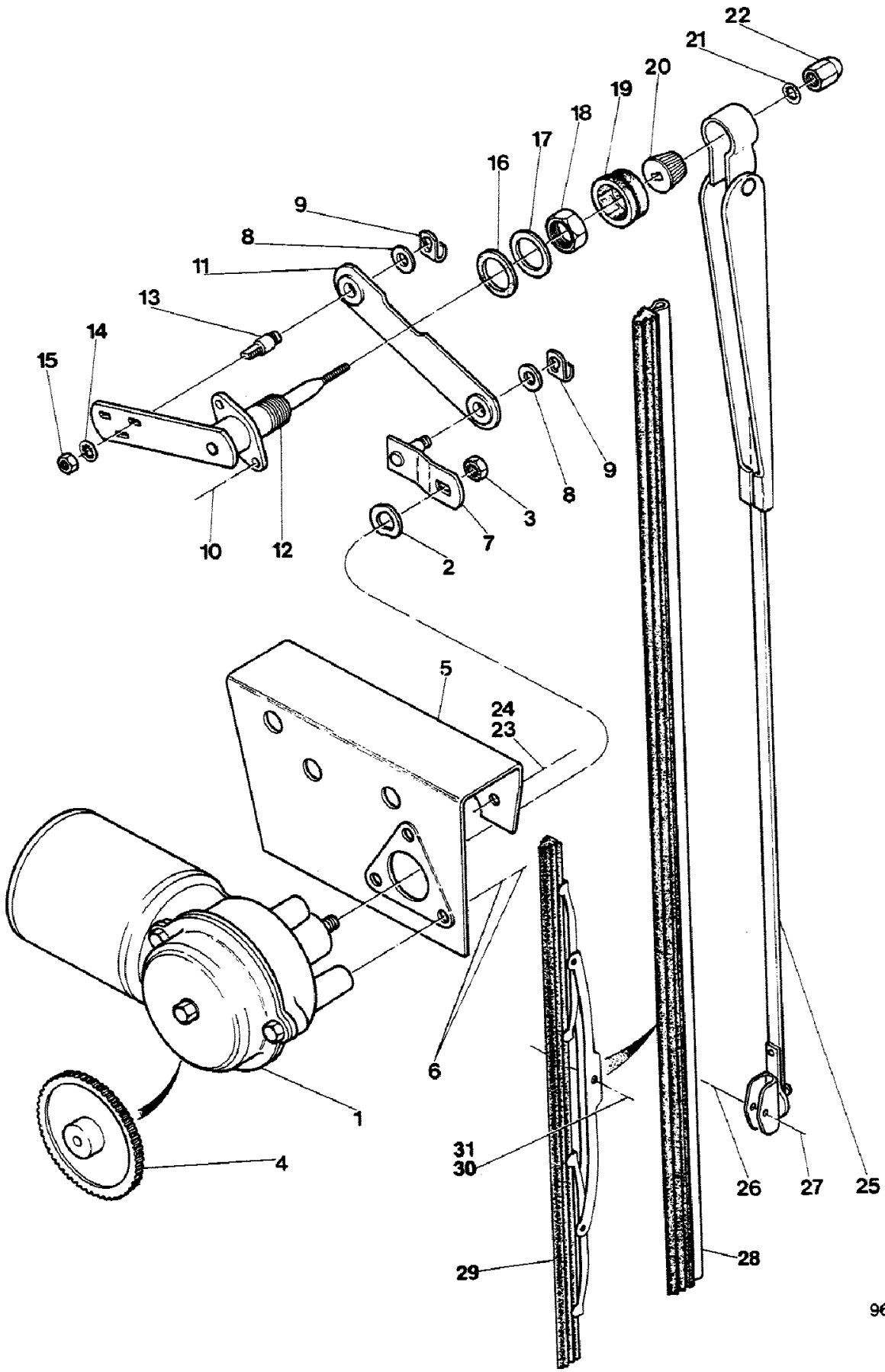
CAB - DOOR



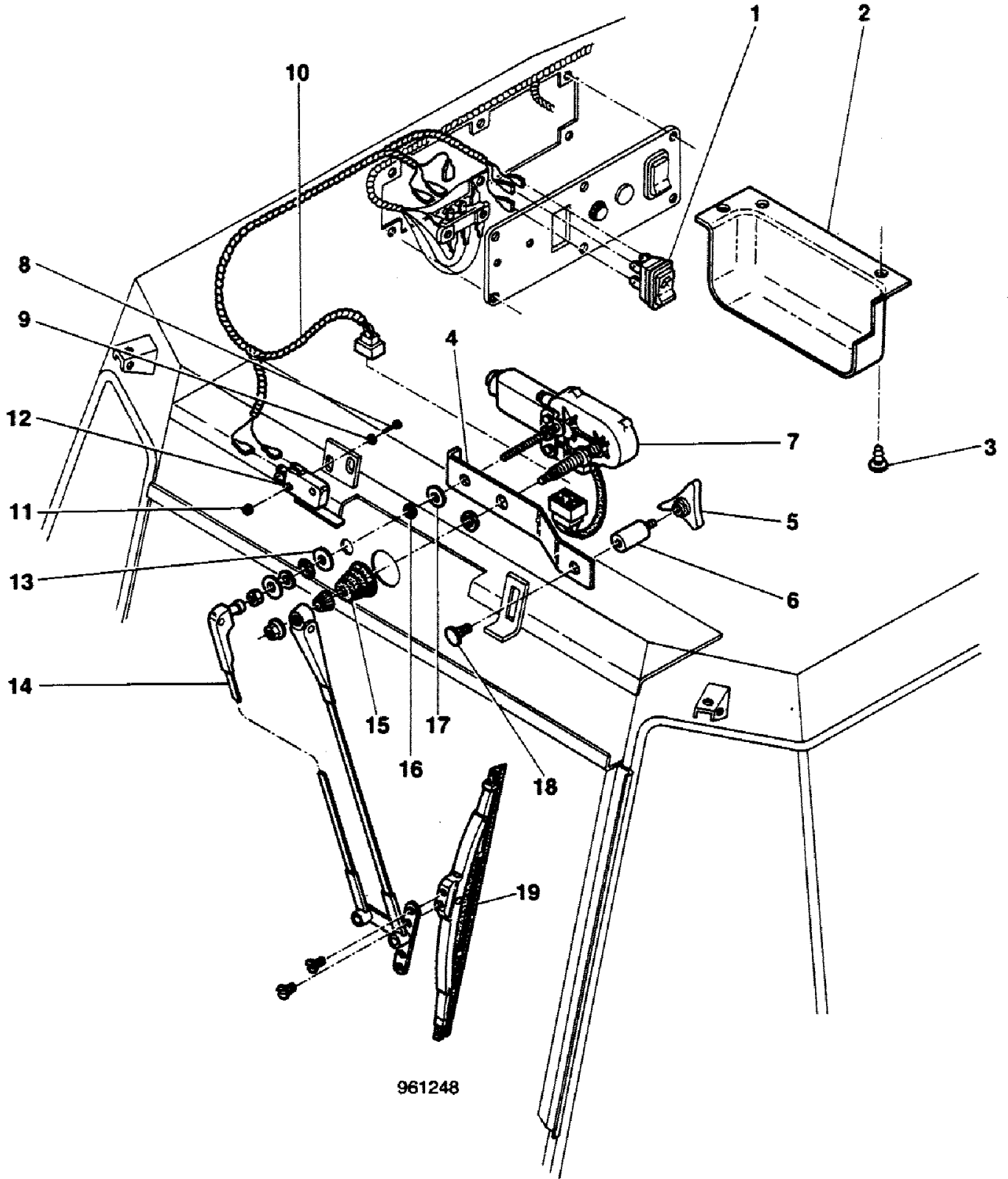
CAB - SIDE WINDOWS



CAB - FRONT WINDSHIELD WIPER UP TO NO. 3.808.596

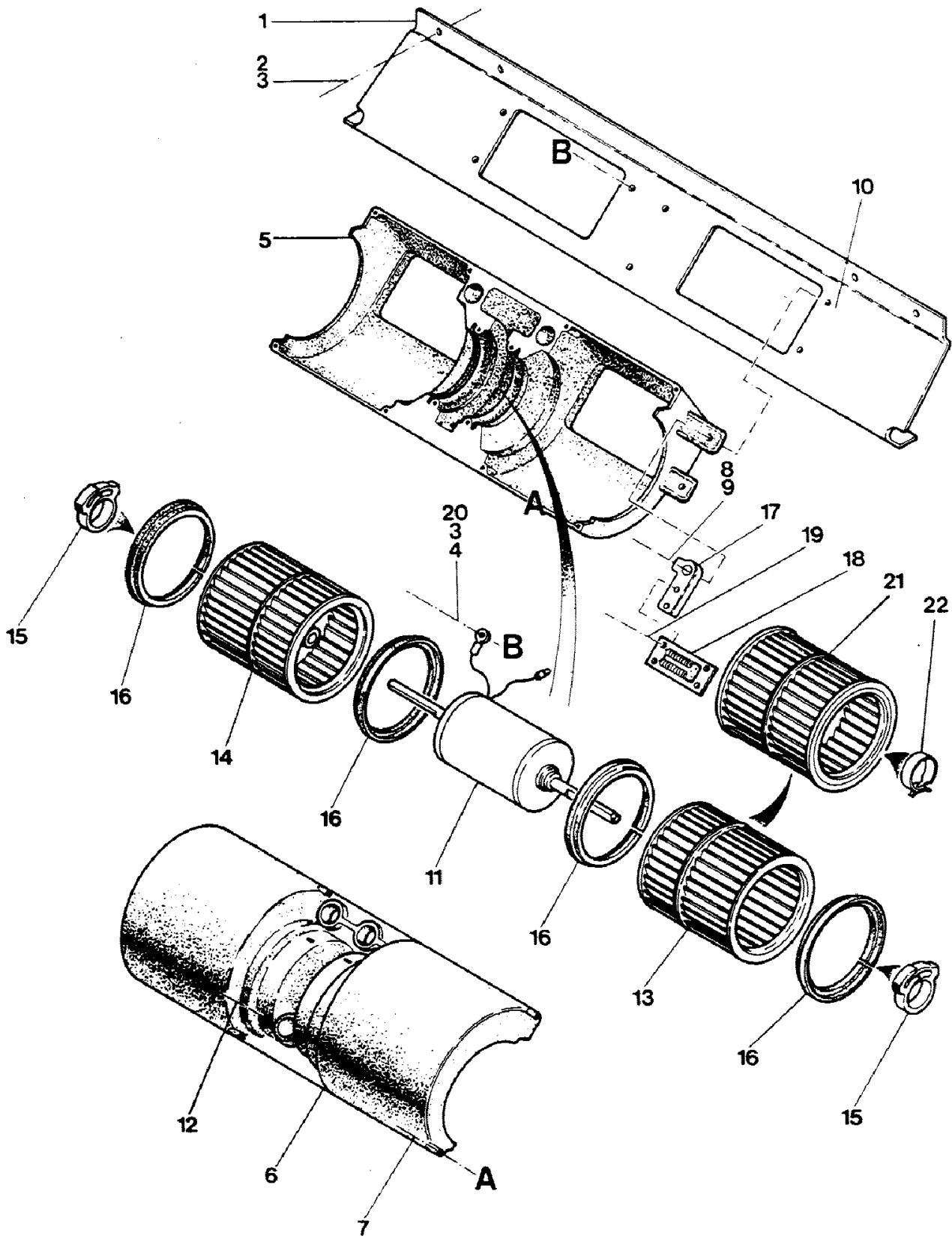


CAB - REAR WINDSHIELD WIPER STARTING FROM NO. 3.808.597

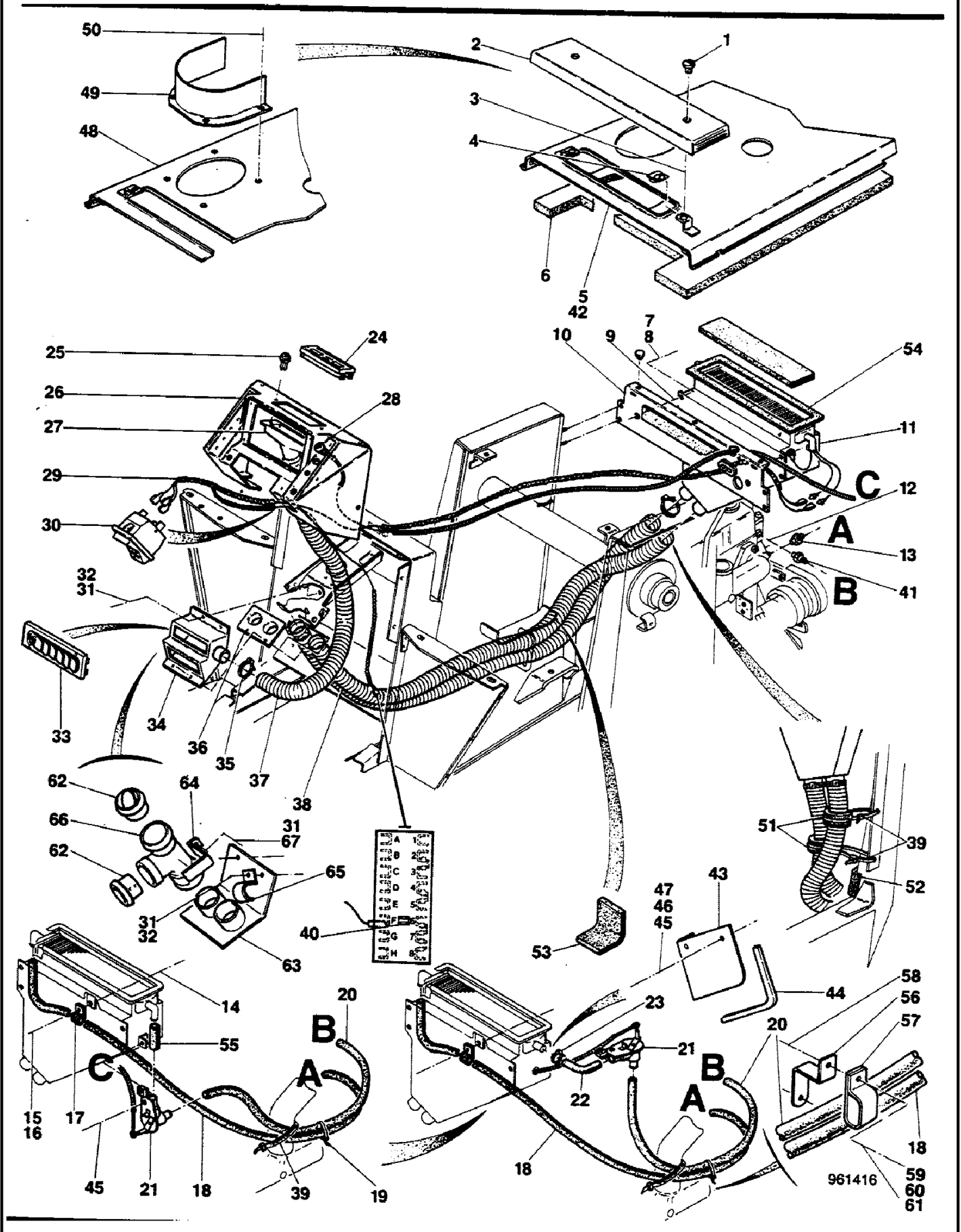


961248

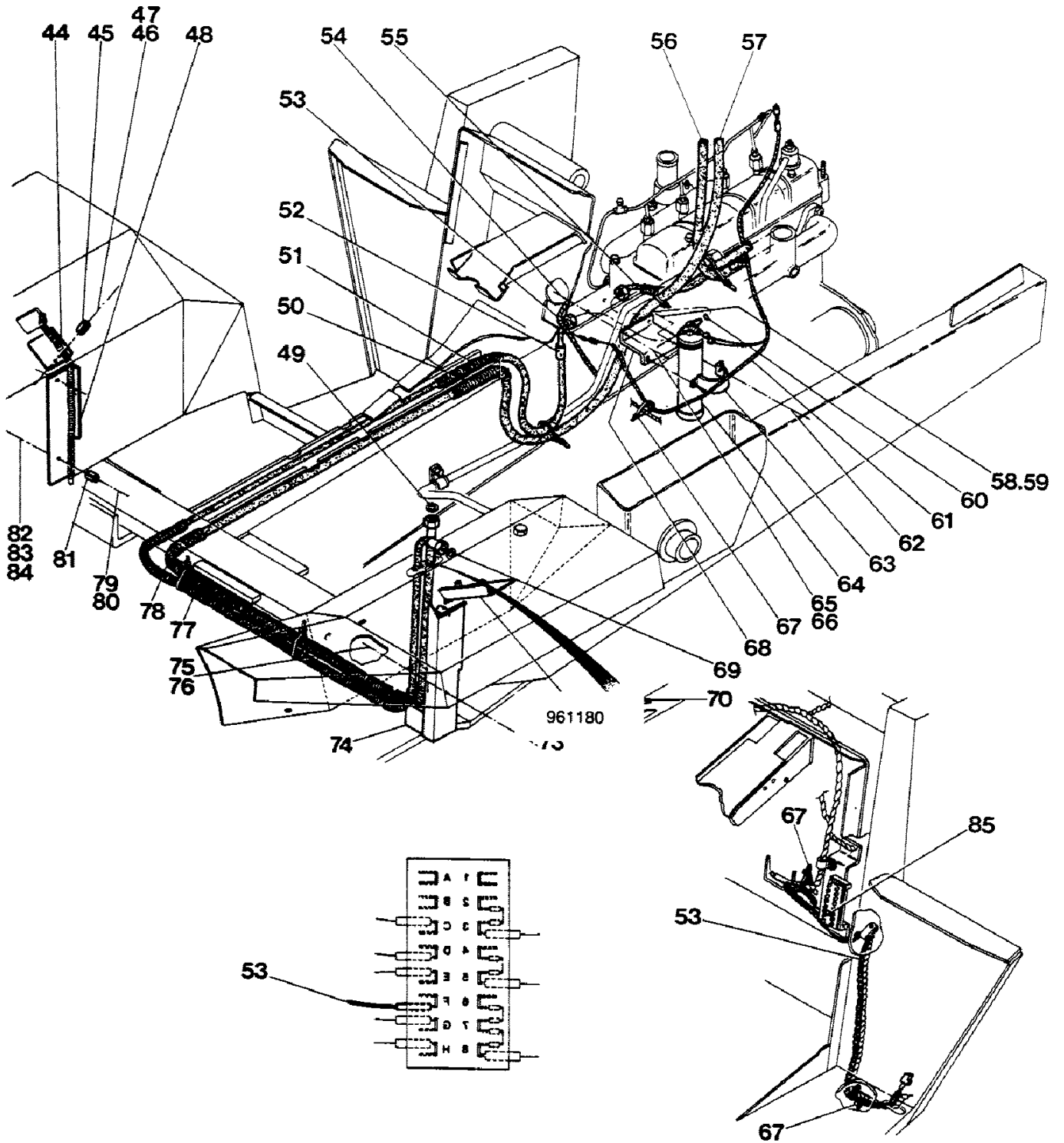
CAB - AIR BLOWER STARTING FROM NO. 3.804.795 UP TO NO. 3.808.596



CAB - HEATER STARTING FROM NO. 3.808.597

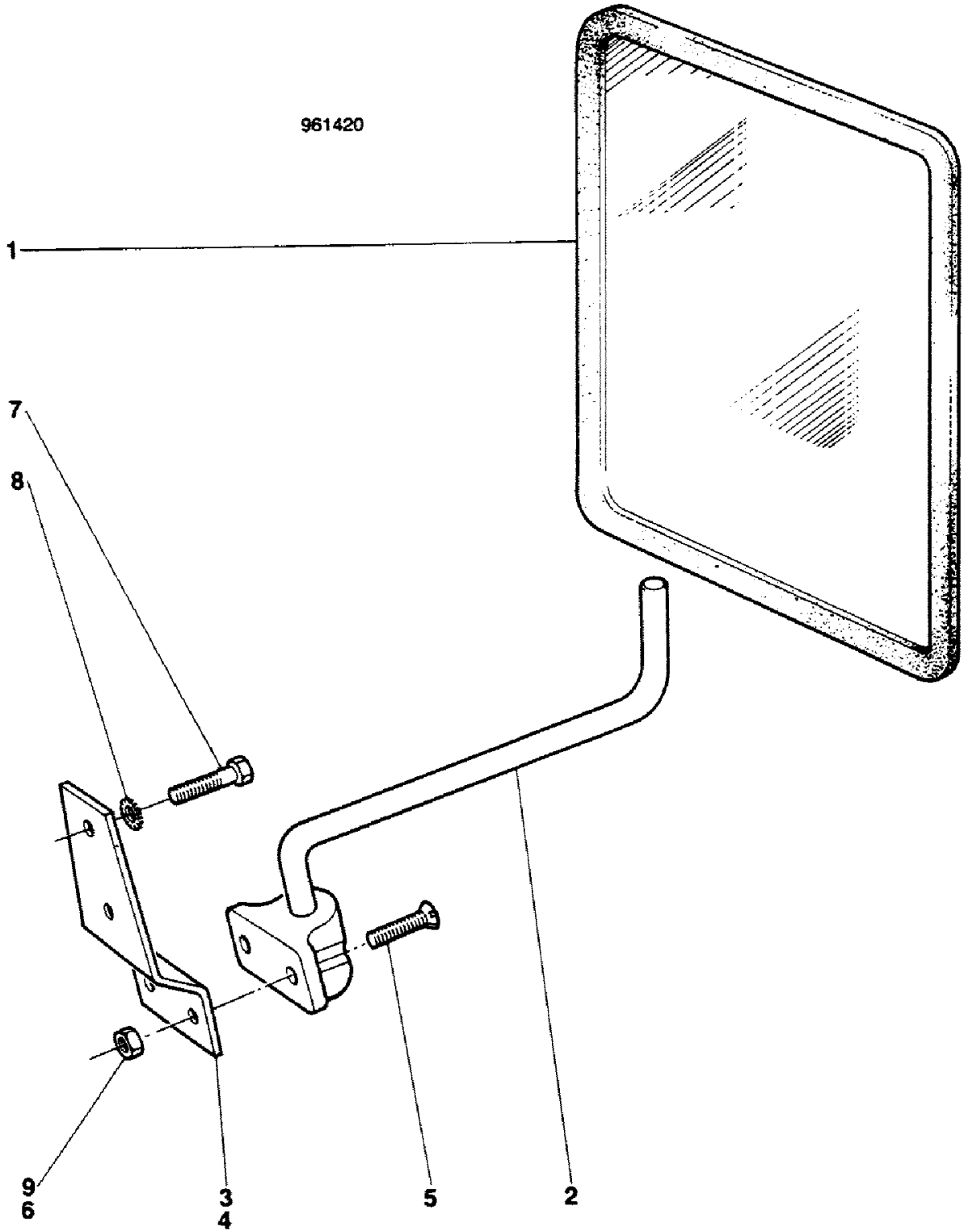


580G LOADER BACKHOE

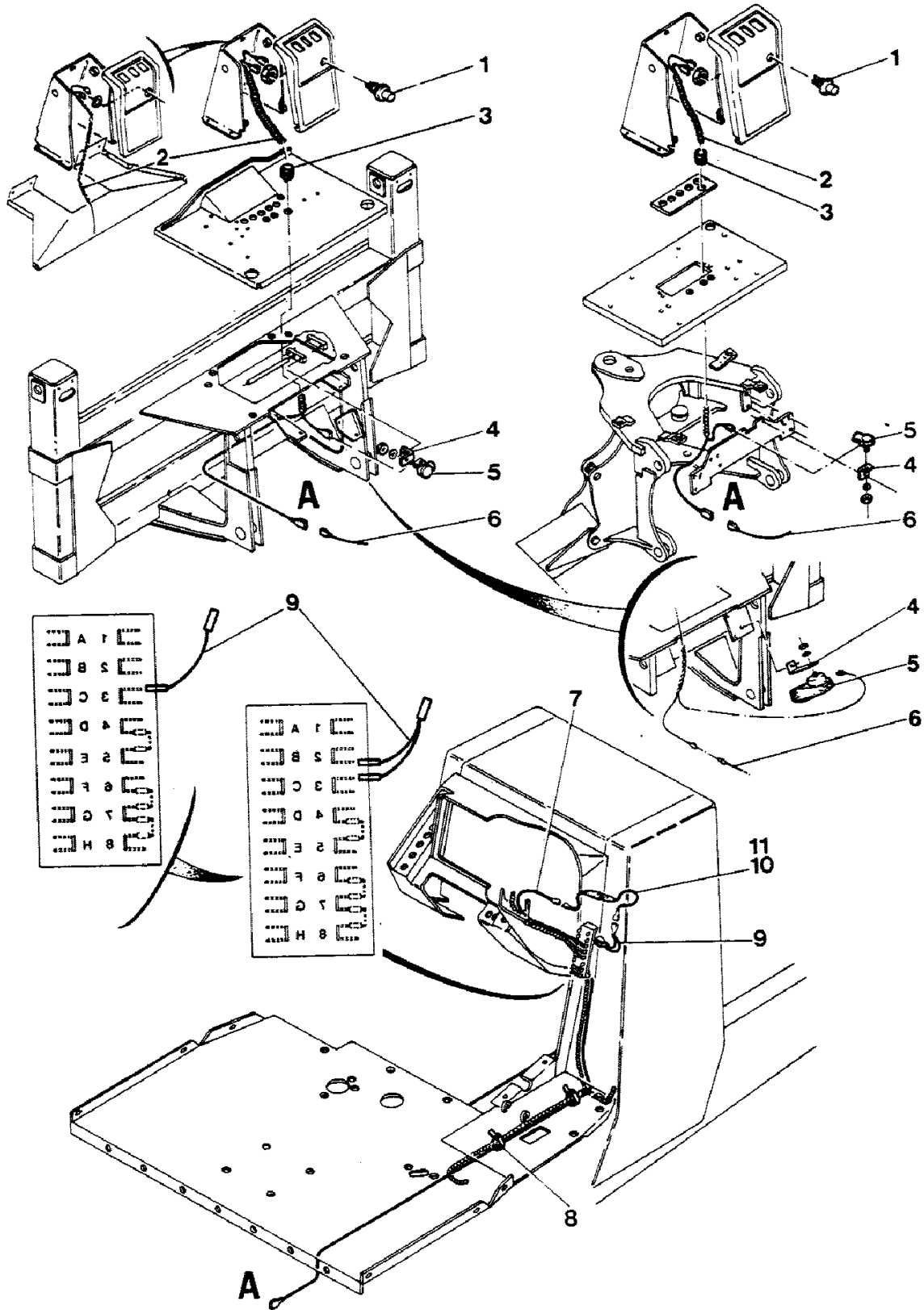


REAR VIEW MIRRORS STARTING FROM NO. 3.812.178

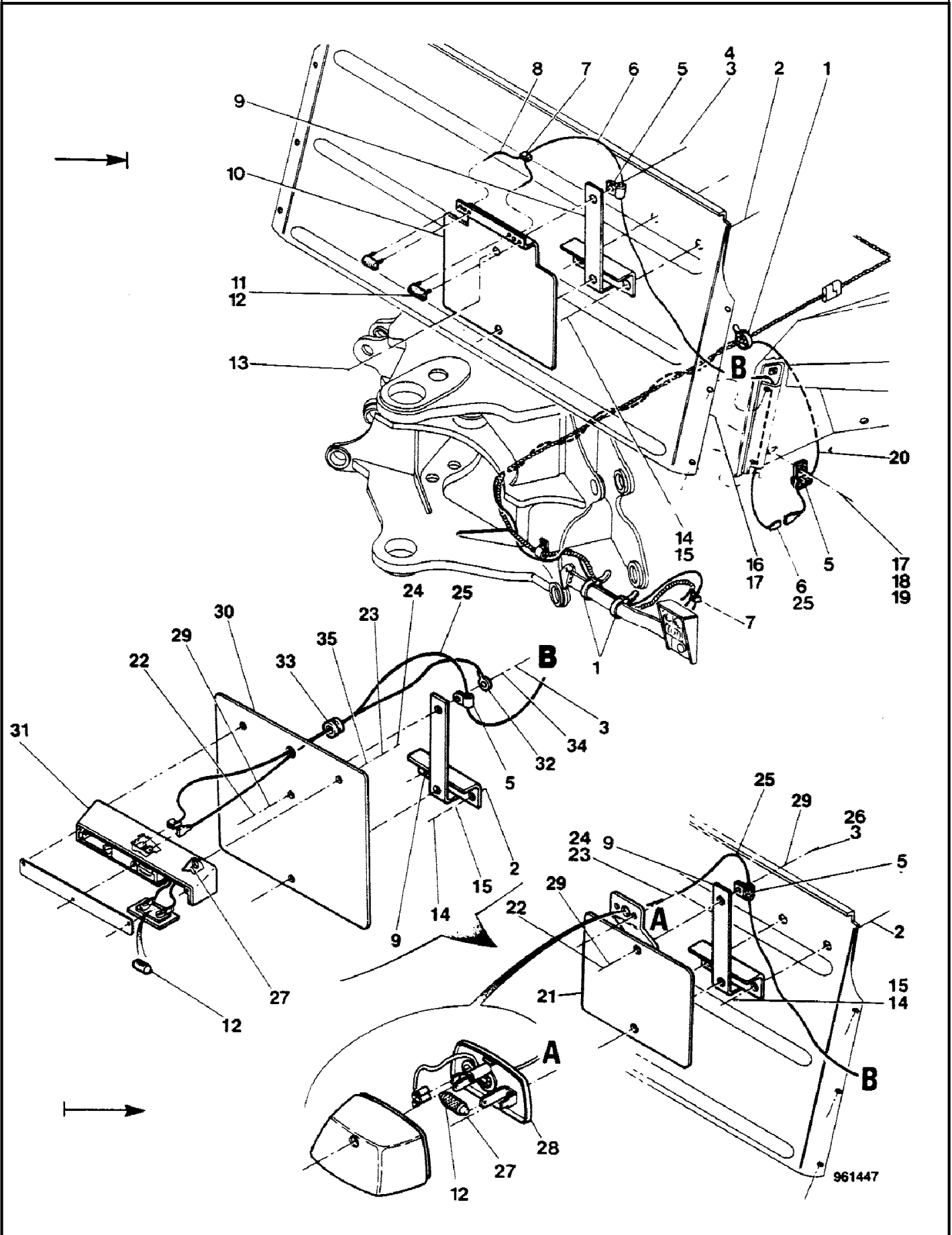
961420



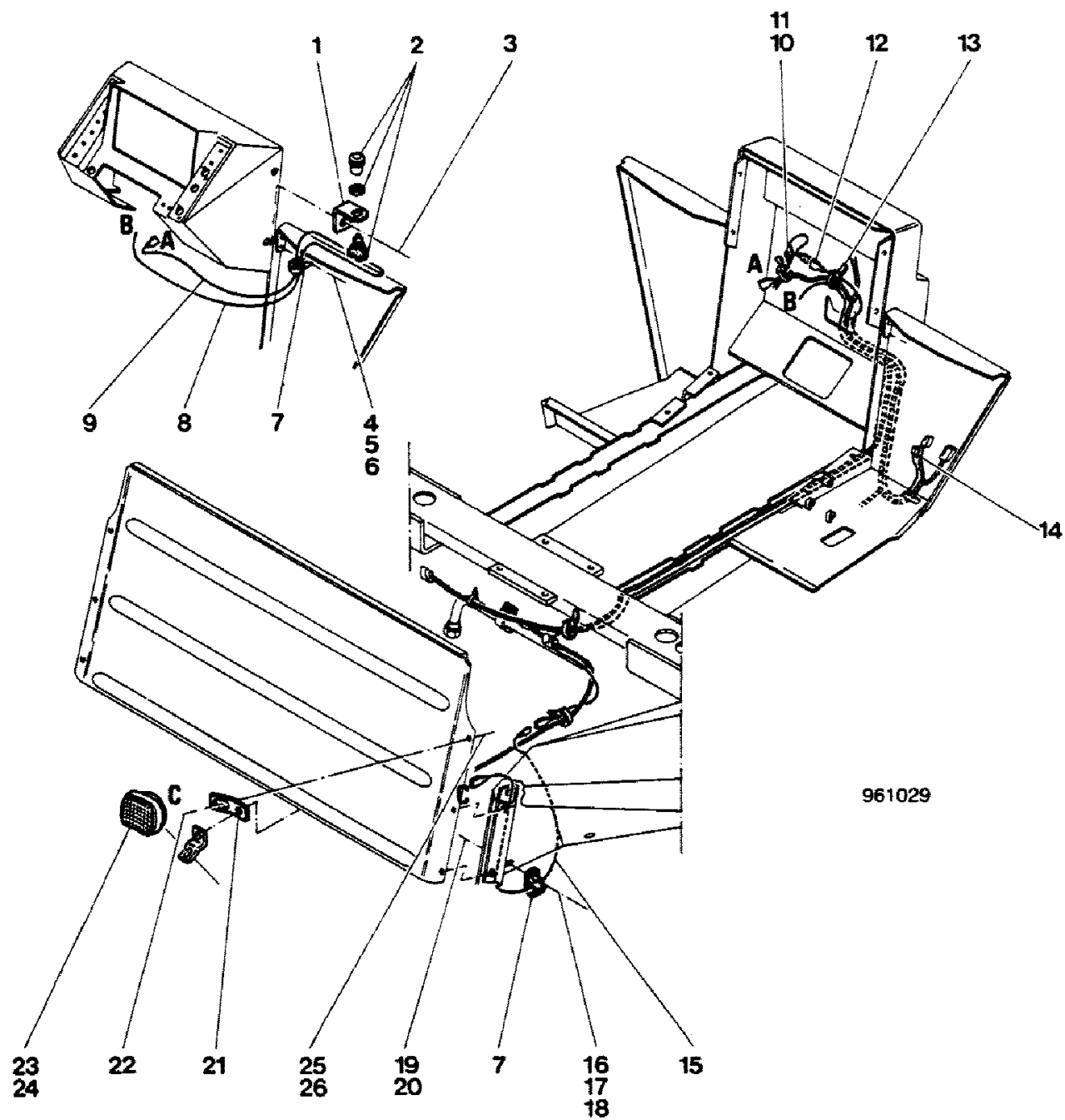
REAR ELECTRIC HORN



REAR NUMBER PLATE - AXIAL ONLY WITH A CAB

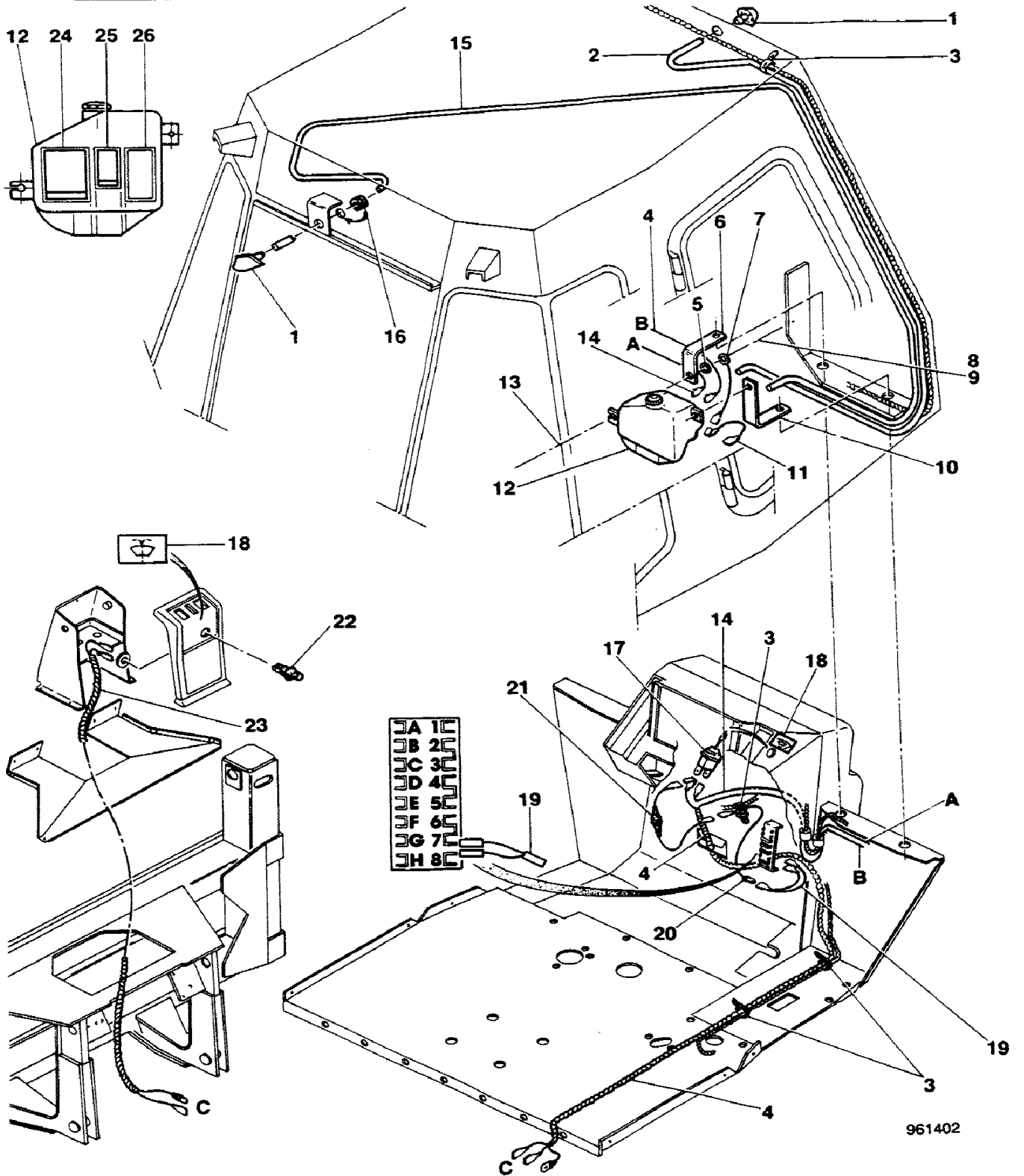


REAR FOG LIGHT - AXIAL BACKHOE WITH A CAB



961029

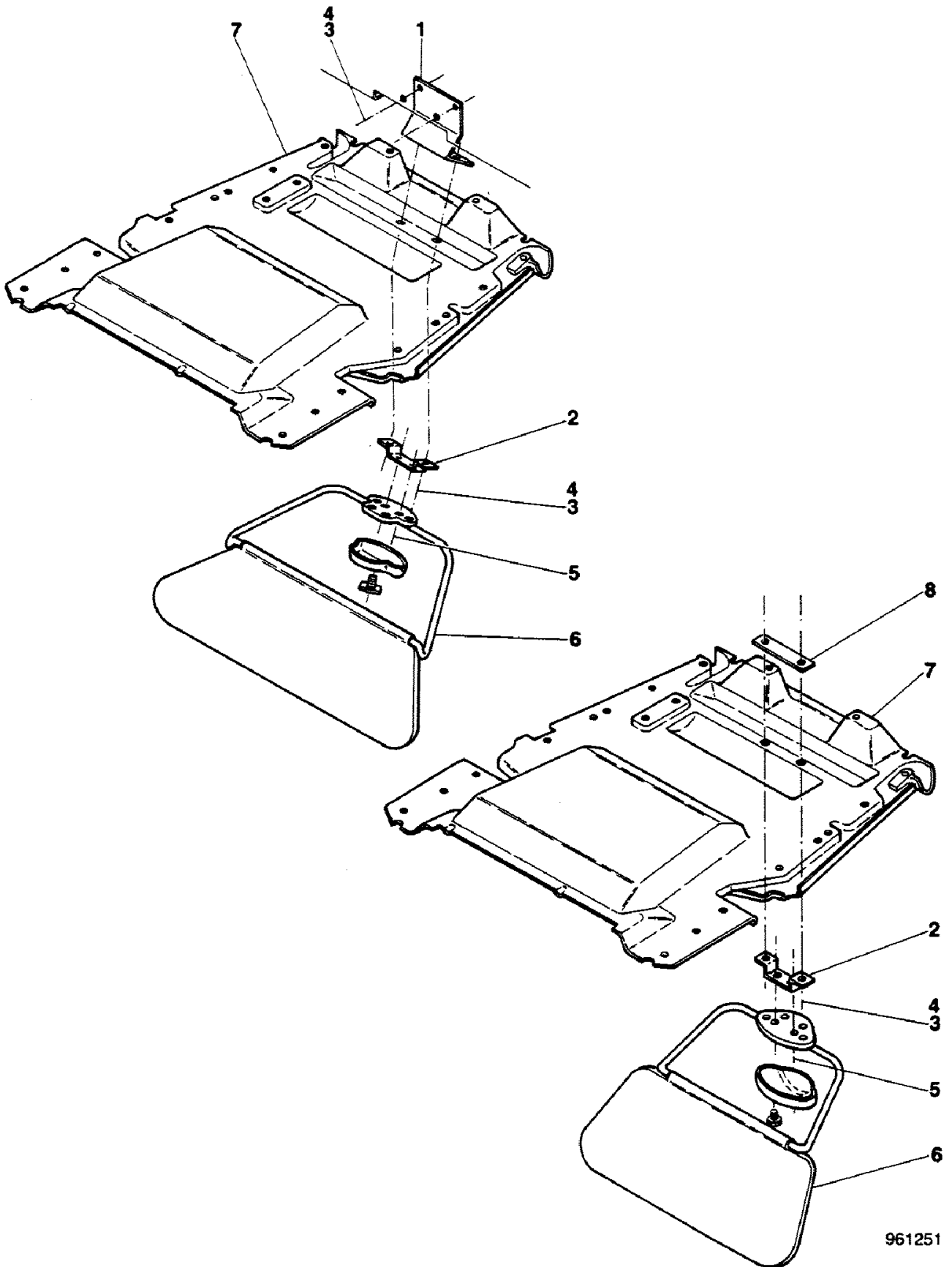
WINDSCREEN WASHER FRONT AND REAR



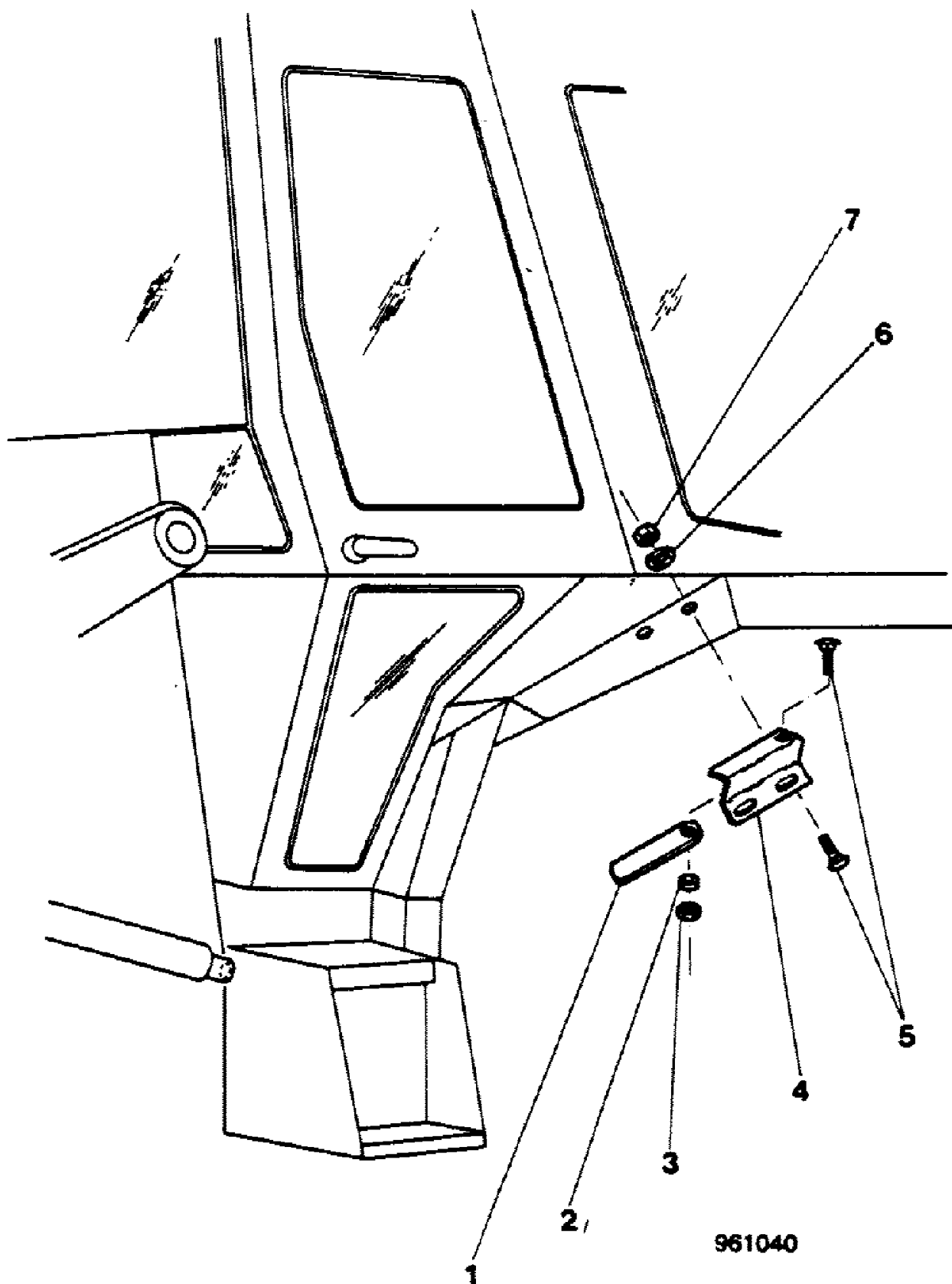
961402

See other option Figure 524

SUNSHADE - HEADLINER STARTING FROM NO. 3.808.597

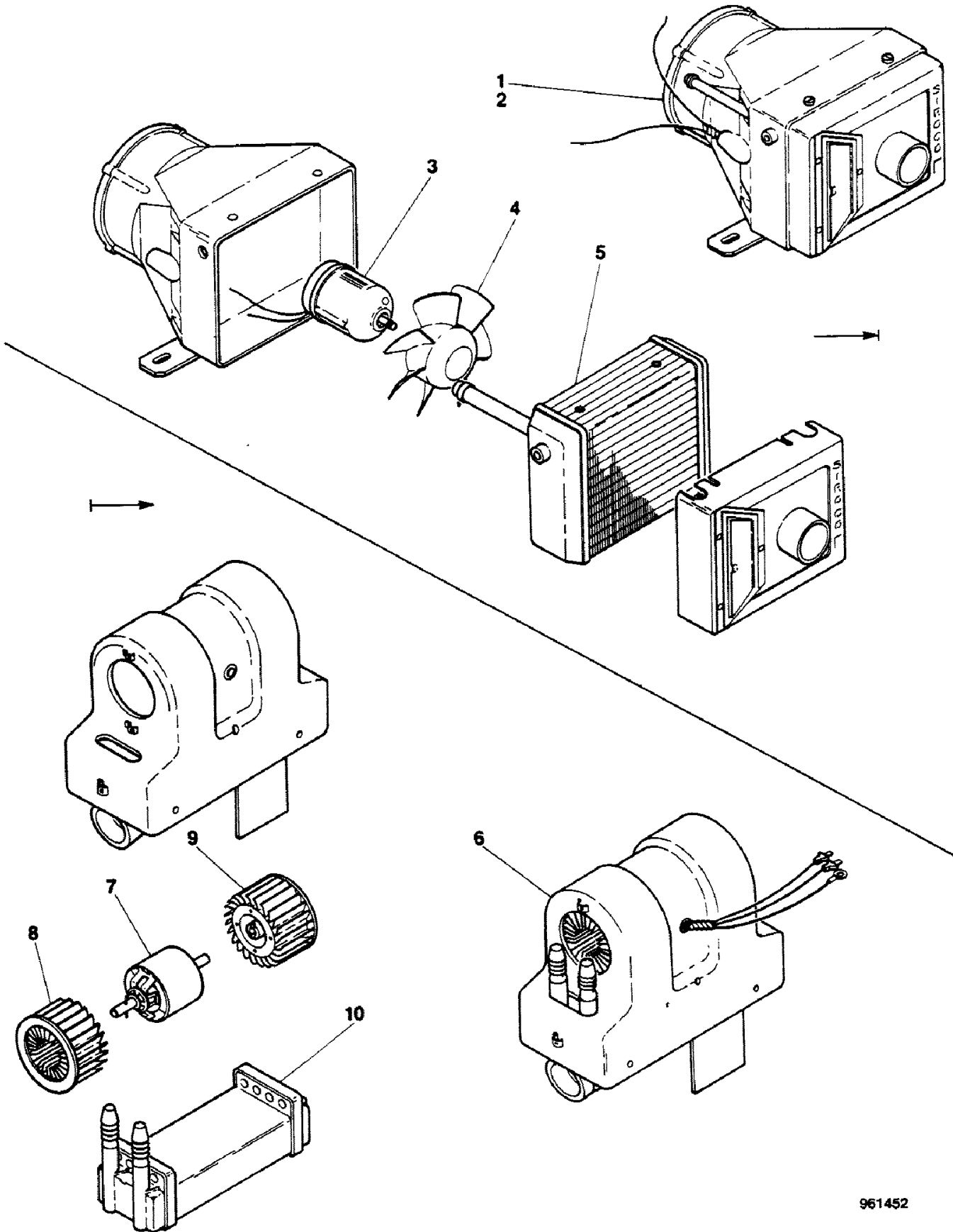


CAB - LATCH HOLDING DOOR

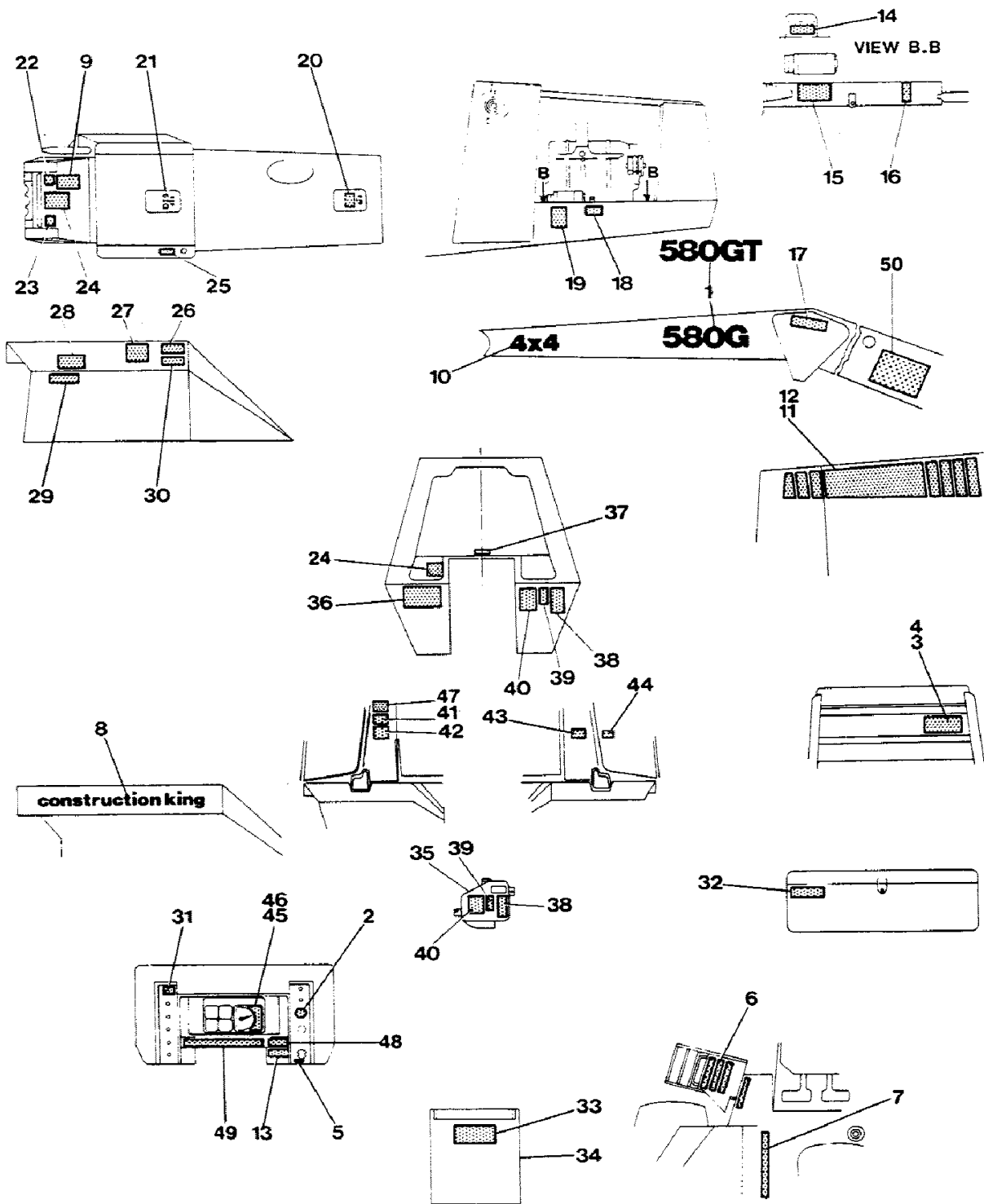


961040

CAB - AUXILIARY HEATER

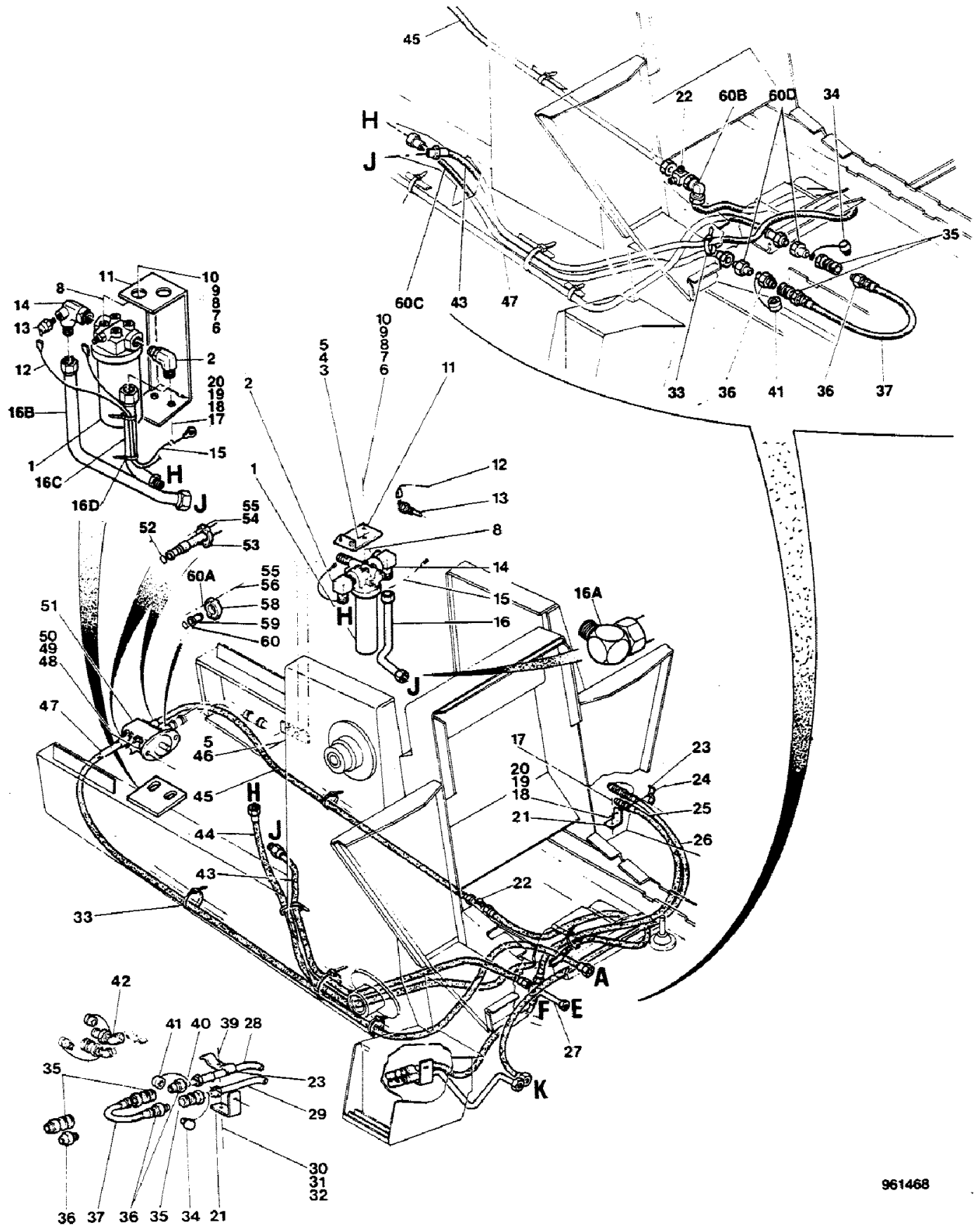


DECALS - TRACTOR AND LOADER

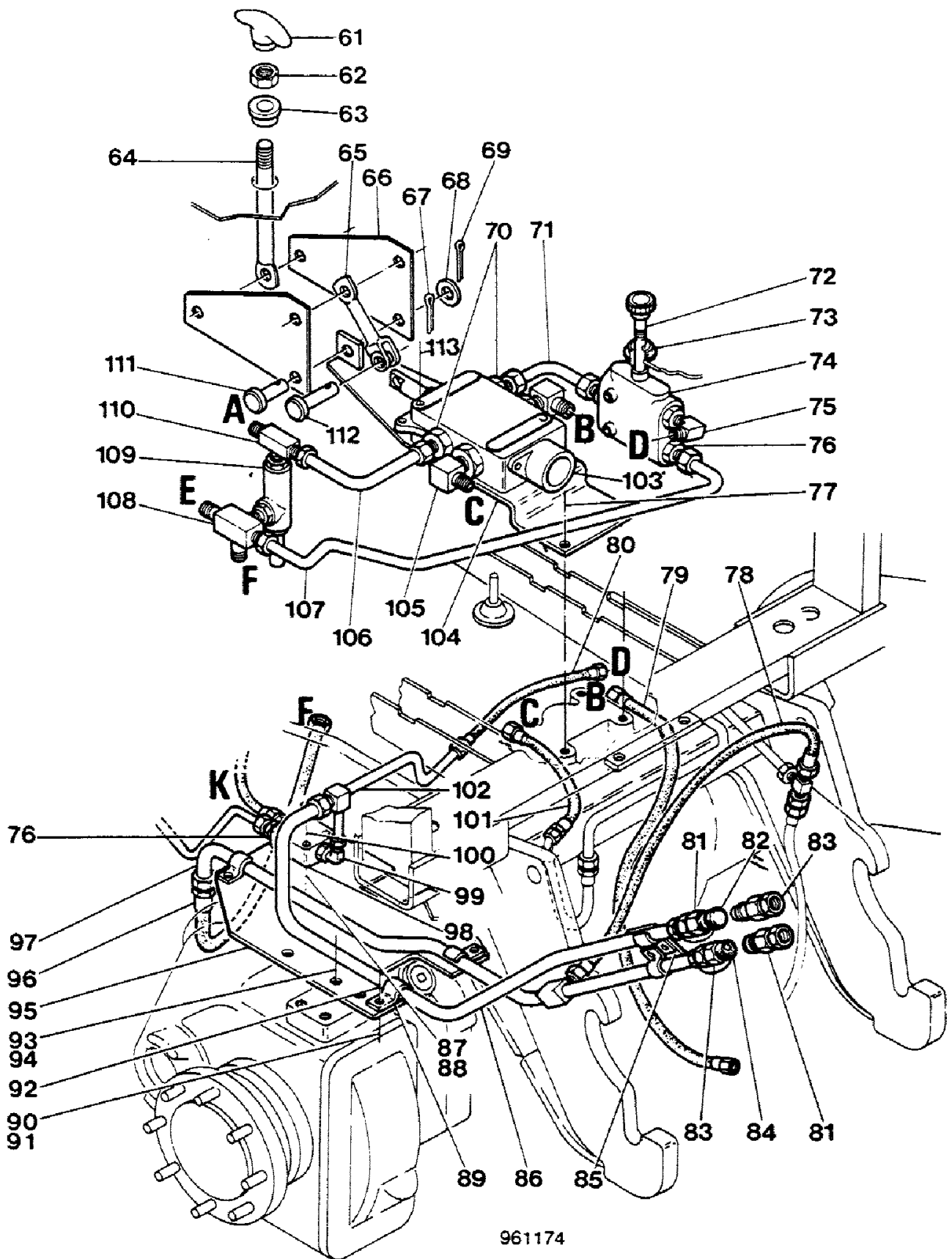


When ordering decals separately (ref. 14 to 44 + 47) specify the english number and the language desired

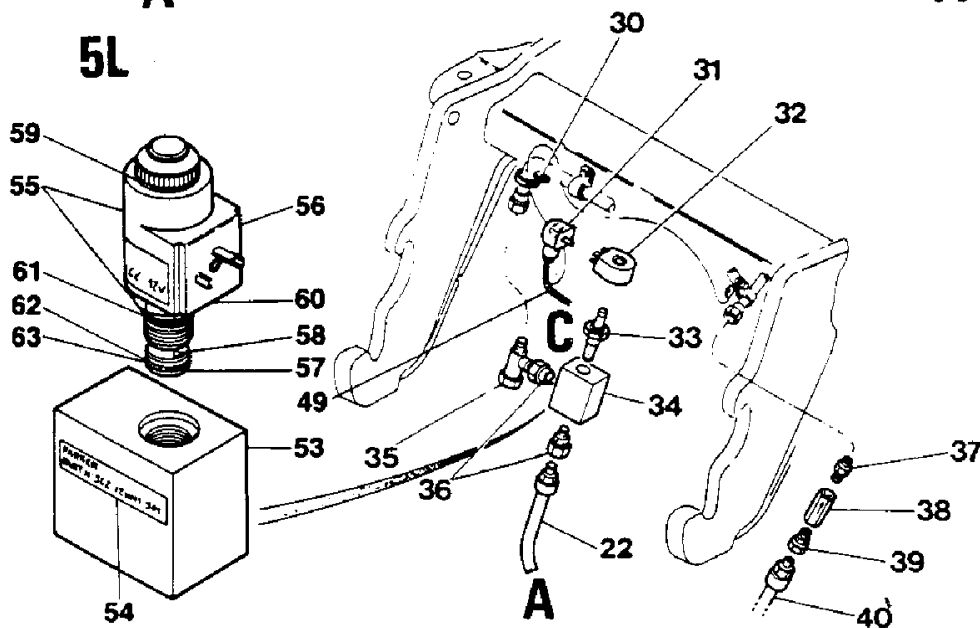
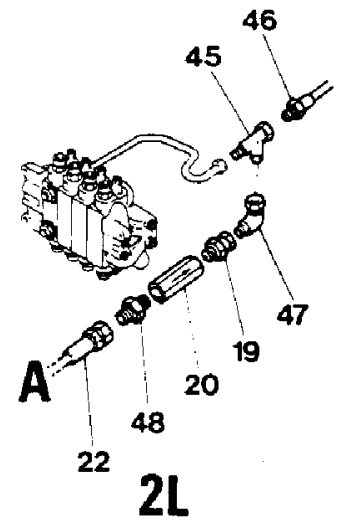
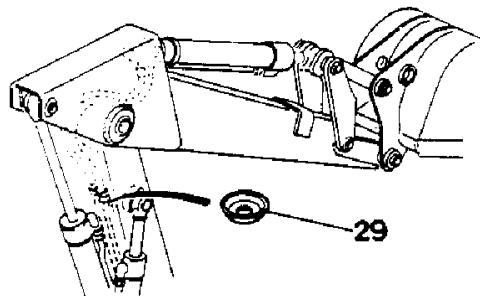
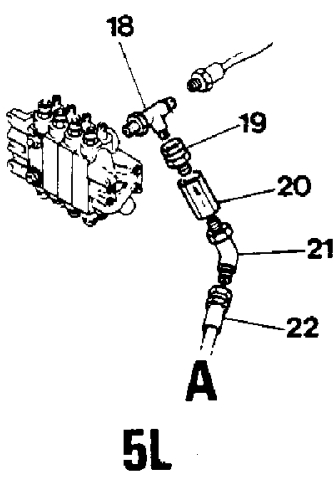
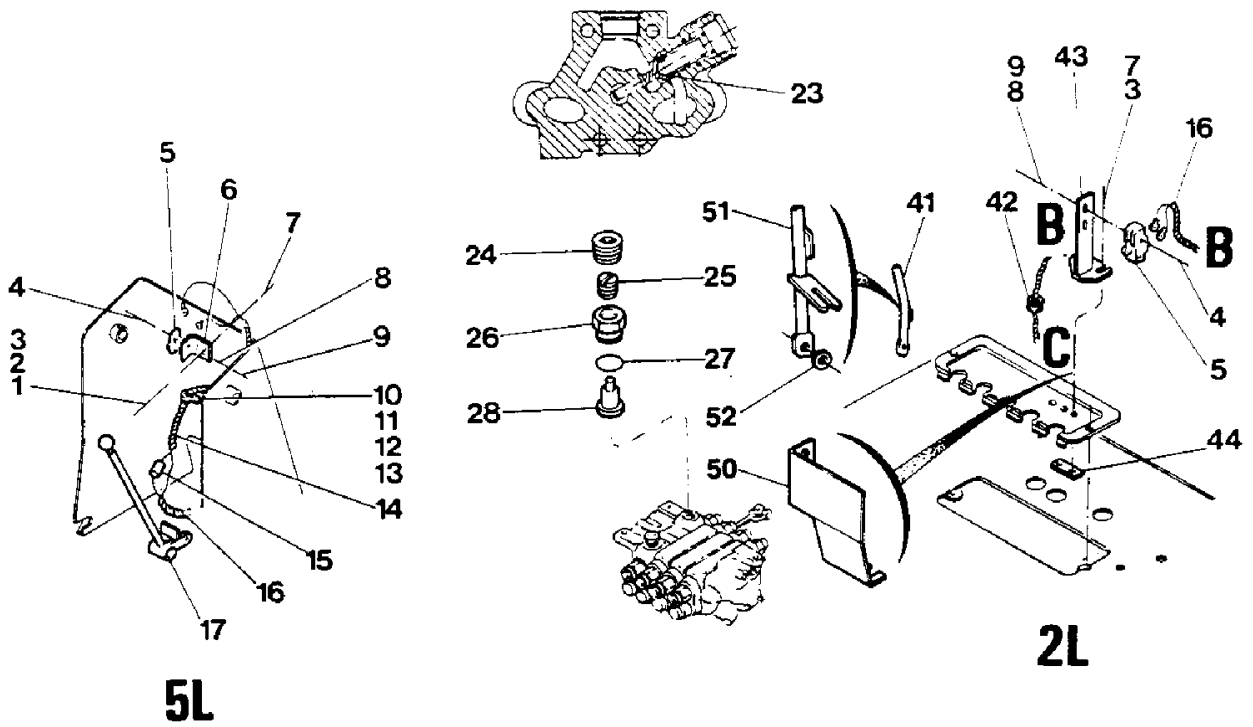
AUXILIARY HYDRAULICS FOR FRONT AND REAR HYDRAULIC



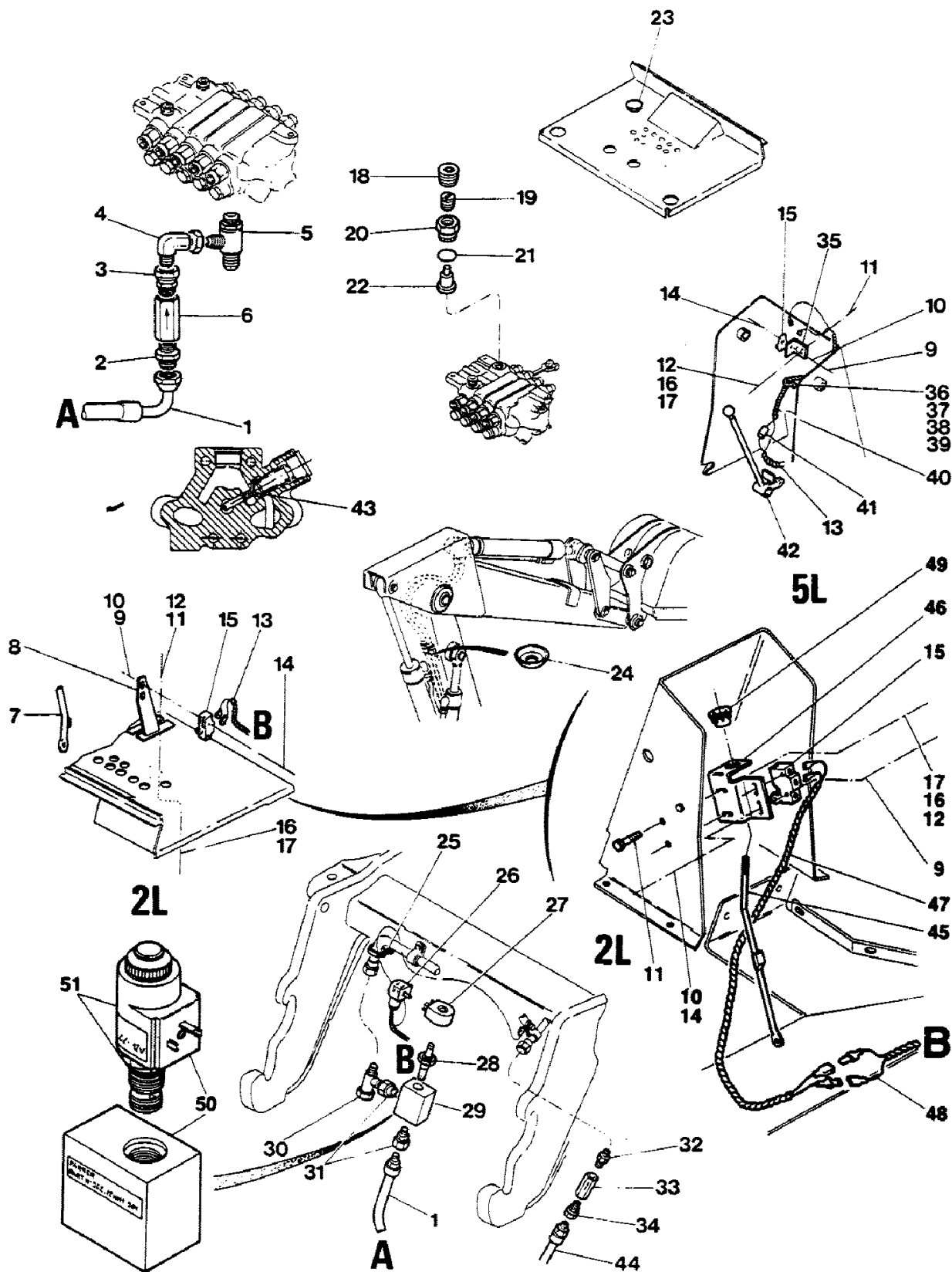
AUXILIARY HYDRAULICS FOR FRONT AND REAR HYDRAULIC



AXIAL BACKHOE - SAFETY DEVICE



SIDESHIFT BACKHOE - SAFETY DEVICE



CLICK HERE TO **DOWNLOAD** THE COMPLETE MANUAL

- Thank you very much for reading the preview of the manual.
- You can download the complete manual from: www.heydownloads.com by clicking the link below



- Please note: If there is no response to CLICKING the link, please download this PDF first and then click on it.

CLICK HERE TO **DOWNLOAD** THE COMPLETE MANUAL