



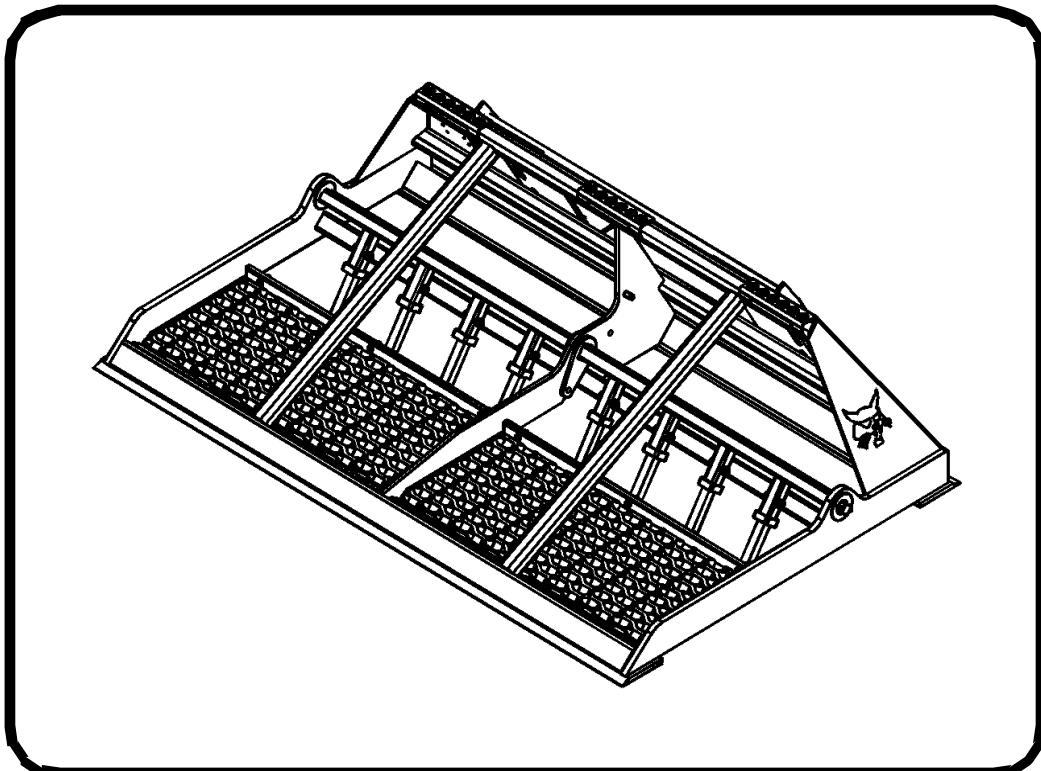
Bobcat®

EN

Operation & Maintenance Manual

Landplane

(48 Landplane) S/N 717300101 & Above
(72 Landplane) S/N 615000101 & Above
(78 Landplane) S/N 611500101 & Above



CLICK HERE TO **DOWNLOAD** THE COMPLETE MANUAL

- Thank you very much for reading the preview of the manual.
- You can download the complete manual from: www.heydownloads.com by clicking the link below



- Please note: If there is no response to CLICKING the link, please download this PDF first and then click on it.

CLICK HERE TO **DOWNLOAD** THE COMPLETE MANUAL

FEATURES AND ACCESSORIES

Standard Items

The deluxe landplane is equipped with the following Standard Items:

- Bi-Directional Scarifier Breaks Up Hard Ground
- Replaceable Screen
- Replaceable Teeth

OPERATING INSTRUCTIONS

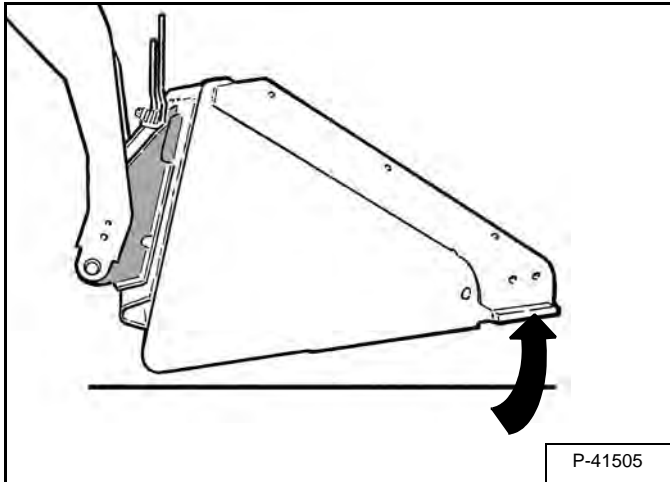
INITIAL SETUP	21
Engaging The Chisel Teeth	21
DAILY INSPECTION	21
Attachment Mounting Frame	21
Bob-Tach	22
OPERATING PROCEDURE WITH LOADERS	24
Approved Loader Models And Requirements	24
Entering And Exiting The Loader	25
Installation	26
Operation With The Loader	31
Removal	35
OPERATING PROCEDURE WITH MINI TRACK LOADERS	37
Approved Mini Track Loader Models And Requirements	37
Entering And Leaving The Operator's Position	38
Installation	39
Operation With The Mini Track Loader	41
Removal	45
LIFTING THE ATTACHMENT	46
Procedure	46
TRANSPORTING THE ATTACHMENT ON A TRAILER	48
Fastening	48
TRANSPORTING THE ATTACHMENT AND MACHINE ON A TRAILER	49
Loading And Fastening	49

OPERATING PROCEDURE WITH LOADERS (CONT'D)

Installation (Cont'd)

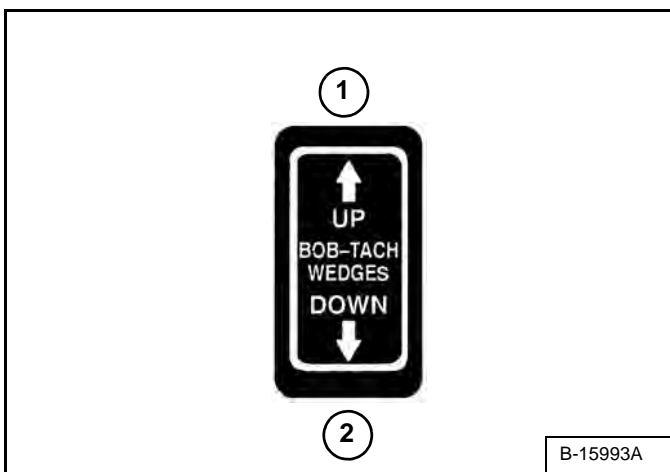
Power Bob-Tach (Cont'd)

Figure 26



Tilt the Bob-Tach backward until the attachment is slightly off the ground [Figure 26]. This will cause the attachment mounting frame to fit up against the front of the Bob-Tach.

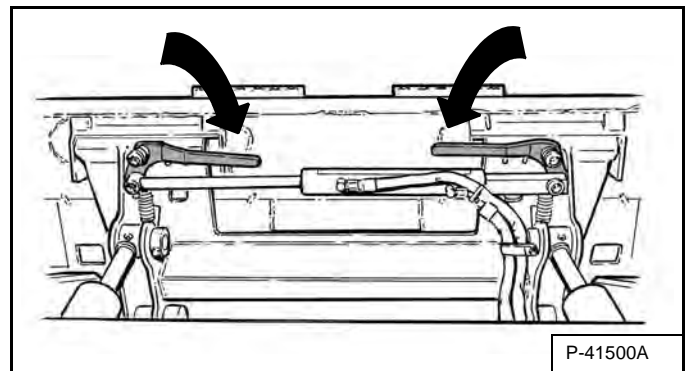
Figure 27



NOTE: The Power Bob-Tach system has continuous pressurised hydraulic oil to keep the wedges in the engaged position and prevent attachment disengagement. Because the wedges can slowly lower, the operator may need to reactivate the switch (BOB-TACH “WEDGES UP”) to be sure both wedges are fully raised before installing the attachment.

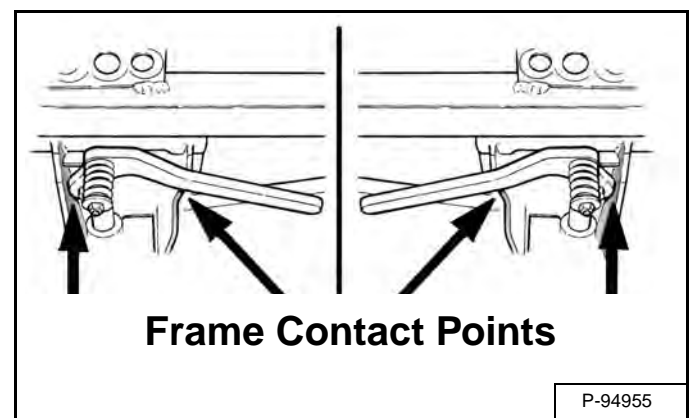
Push and hold the BOB-TACH “WEDGES UP” switch (Item 1) [Figure 27] until the levers are fully raised (wedges fully raised).

Figure 28



Push and hold the BOB-TACH “WEDGES DOWN” switch (Item 2) [Figure 27] until the levers are fully engaged in the locked position [Figure 28] (wedges fully extended through the attachment mounting frame holes).

Figure 29



Both levers must contact the frame as shown when locked [Figure 29].

If both levers do not engage in the locked position, see your Bobcat dealer for maintenance.

WARNING

AVOID INJURY OR DEATH

The Bob-Tach wedges must extend through the holes in the attachment mounting frame. Levers must be fully down and locked. Failure to secure wedges can allow attachment to come off.

W-2715-0208

OPERATING PROCEDURE WITH MINI TRACK LOADERS (CONT'D)

Installation

Hand Lever Bob-Tach

NOTE: The illustrations and instructions provided explain how to install a bucket attachment on to a mini track loader. Follow these same instructions if you are installing different attachments such as a grapple, tiller, combo bucket, etc.

The attachment mounting frame for the attachment has a top flange that is designed to receive the top edge of the Bob-Tach and the lower part of the frame is designed to receive the Bob-Tach wedges.

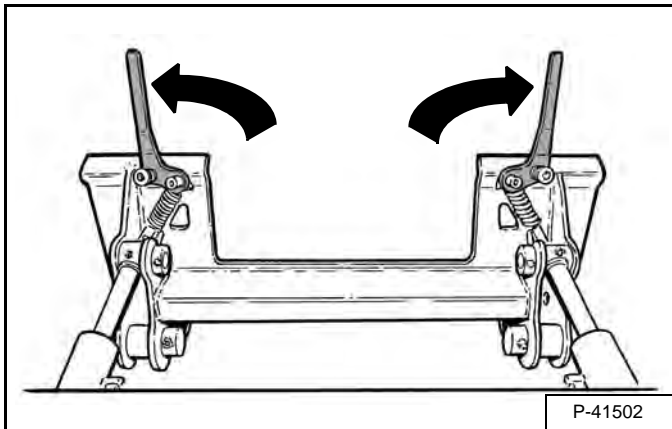
WARNING

Warnings on the machine and in the manuals are for your safety. Failure to obey warnings can cause serious injury or death.

W-2744-0608

Always inspect the mini track loader's Bob-Tach and the attachment mounting frame before installation. See the mini track loader's Operation & Maintenance Manual. (See DAILY INSPECTION on Page 21.)

Figure 48

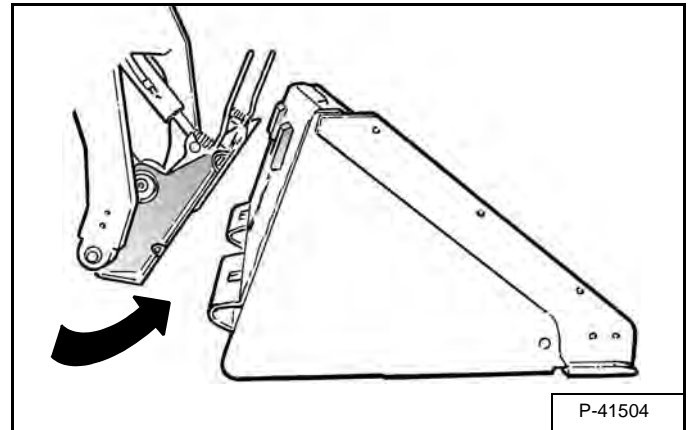


Pull the Bob-Tach levers up until they are fully raised (wedges fully raised) [Figure 48].

Move to the operator's position.

Start the engine and release the parking brake.

Figure 49

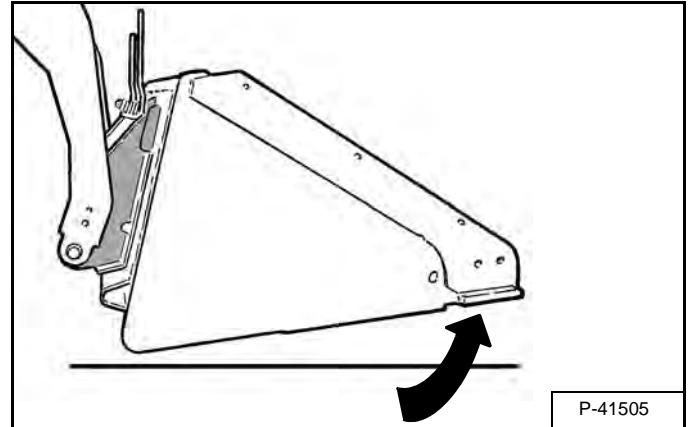


Lower the lift arms and tilt the Bob-Tach forward.

Drive the mini track loader slowly forward until the top edge of the Bob-Tach is completely under the top flange of the attachment [Figure 49].

NOTE: Be sure the Bob-Tach levers do not hit the attachment.

Figure 50



Tilt the Bob-Tach backward until the attachment is slightly off the ground [Figure 50]. This will cause the attachment mounting frame to fit up against the front of the Bob-Tach.

NOTE: When leaving the operator's position to install an attachment, tilt the attachment until it is slightly off the ground.

Stop the engine and leave the operator's position. (See Entering And Leaving The Operator's Position on Page 38.)

TRANSPORTING THE ATTACHMENT AND MACHINE ON A TRAILER

Loading And Fastening



AVOID SERIOUS INJURY OR DEATH

Adequately designed ramps of sufficient strength are needed to support the weight of the machine when loading onto a transport vehicle. Wood ramps can break and cause personal injury.

W-2058-0807

Be sure the transport and towing vehicles are of adequate size and capacity for weight of machine and attachment combination. (See machine and attachment Operation & Maintenance Manuals for specifications.)

Loading

The rear of the trailer must be blocked or supported when loading and unloading to prevent the front of the trailer from raising.

- Load the heaviest end of the machine and attachment combination first.
- Lower the attachment to the floor.
- Stop the engine.
- Engage the parking brake (if equipped).
- Exit the machine. (See the machine's Operation & Maintenance Manual for the correct procedure.)

Fastening

Install the chains at the front and rear tie down positions on the machine. (See the machine's Operation & Maintenance Manual to properly chain the machine to the transport vehicle.)

- Install chains on the attachment (if needed).
- Fasten each end of the chain to the transport vehicle.

NOTE: Use chain binders to prevent the attachment and machine from moving during transport.

SPECIFICATIONS

(48 LANDPLANE) LANDPLANE SPECIFICATIONS	61
Dimensions	61
Performance	61
 (78 LANDPLANE) LANDPLANE SPECIFICATIONS	 62
Dimensions	62
Performance	62

Certain specification(s) are based on engineering calculations and are not actual measurements. Specification(s) are provided for comparison purposes only and are subject to change without notice. Specification(s) for your individual Bobcat equipment will vary based on normal variations in design, manufacturing, operating conditions and other factors.

CLICK HERE TO **DOWNLOAD** THE COMPLETE MANUAL

- Thank you very much for reading the preview of the manual.
- You can download the complete manual from: www.heydownloads.com by clicking the link below



- Please note: If there is no response to CLICKING the link, please download this PDF first and then click on it.

CLICK HERE TO **DOWNLOAD** THE COMPLETE MANUAL