



Bendi B40i4 Forklift Parts Manual



LANDOLL CORPORATION

1900 North Street

Marysville, Kansas 66508

(785) 562-5381

800-428-5655 ~ WWW.LANDOLL.COM

CLICK HERE TO **DOWNLOAD** THE COMPLETE MANUAL

- Thank you very much for reading the preview of the manual.
- You can download the complete manual from: www.heydownloads.com by clicking the link below



- Please note: If there is no response to CLICKING the link, please download this PDF first and then click on it.

CLICK HERE TO **DOWNLOAD** THE COMPLETE MANUAL

Covers and Counterweights

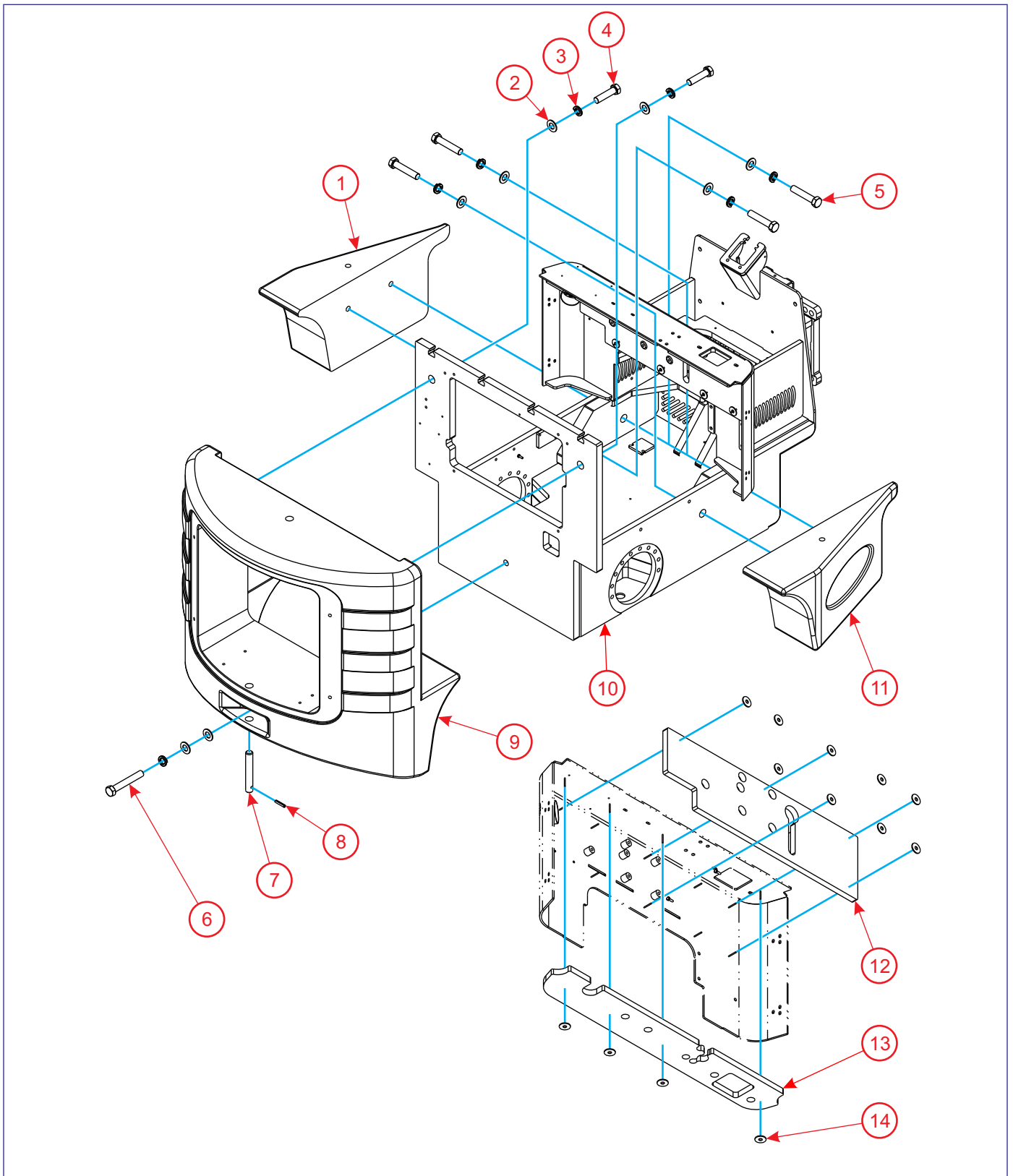


Figure 1-4: Covers and Counterweights (1 of 2)

LANDOLL
173699_sheet 2

WARNING

Start engine and turn lights on. Do not operate until you have received a copy of the operator's manual. Read and understand the manual before operating. Do not operate until you have received a copy of the operator's manual. Read and understand the manual before operating. Do not operate until you have received a copy of the operator's manual. Read and understand the manual before operating.

WARNING

Use only Grade 46 Oil Only. Do not use other oils. See Service Manual for details.

WARNING

INCORRECT LOADING MAY CAUSE VEHICLE TO OVERTURN

LOAD SHOULD BE UNIFORM WITH A 24" LOAD CENTER. SEE CAPACITY CHART OR CONSULT FACTORY FOR LOADS IN EXCESS OF 24" LOAD CENTER.

WARNING

Apply the park brake. Do not leave the seat until the parking brake is automatically applied.

WARNING

Before operating machine. Read and understand the Operator Manual.

WARNING

Use only Grade 46 Oil Only. Do not use other oils. See Service Manual for details.

WARNING

Use only Grade 46 Oil Only. Do not use other oils. See Service Manual for details.

WARNING

Use only Grade 46 Oil Only. Do not use other oils. See Service Manual for details.

WARNING

Use only Grade 46 Oil Only. Do not use other oils. See Service Manual for details.

WARNING

Use only Grade 46 Oil Only. Do not use other oils. See Service Manual for details.

30A/35A RELAY 1 30A

2 20A

3 20A

4 15A

5 20A

6 10A

7 7

8 8

9 9

10 10

TOWING INSTRUCTIONS

Should it become necessary to tow the forklift:

1. With location of and stop pedal released, locate the brake release pump/valve assembly.
2. Close manual valve by pulling upward on handle and rotating 90° counter clockwise.
3. Push down on the manual valve handle.
4. The forklift may now be towed at a maximum of 200 yards at a max speed of 2 mph.
5. To reset park brake, open manual valve by pulling cross pin into the up (open) position.

WARNING

Falling or dead park brakes will result in an unsafe condition where the forklift will have no brake function at all.

Manual Valve

Hand Pump

Brake Release Pump/Valve Assembly

NOTICE

Filter element must be replaced every 500 hours. Failure to do so will void the warranty. Contact Landoll Dealer for elements.

NOTICE

Filter element must be replaced when dash display indicates, sluggish performance is experienced, or both. Failure to do so will void the warranty. Contact Landoll Dealer for replacement elements.

NOTICE

EMERGENCY STOP/PARK BRAKE PEDAL This forklift is equipped with a spring applied hydraulically released brake system. The pedal does not operate a gentle service brake but a firmly acting parking brake. It is to be used for emergency stops or as a parking brake. If possible do not operate this pedal while the forklift is in motion as this could result in the loss of the load from the forks.

NOTICE

PARKING BRAKE OPERATION TO ENGAGE: Depress catch lever on left side of pedal to lower locking hook, then depress pedal until hook engages the catch pin. TO RELEASE: Depress catch lever and pedal at once to release locking hook from catch pin.

LUBRICATION

Apply 2-3 pumps of grease at each service interval.

LUBRICATION

Apply 2-3 pumps of grease at each service interval.

landoll.com

HYDRAULIC OIL ONLY

Use ISO Grade 46 Oil Only. Do not use other oils. See Service Manual for details.

AIR BLEED

AIR BLEED

WARNING

Before operating machine. Read and understand the Operator Manual.

WARNING

Apply the park brake. Do not leave the seat until the parking brake is automatically applied.

WARNING

Use only Grade 46 Oil Only. Do not use other oils. See Service Manual for details.

WARNING

Use only Grade 46 Oil Only. Do not use other oils. See Service Manual for details.

WARNING

Use only Grade 46 Oil Only. Do not use other oils. See Service Manual for details.

WARNING

Use only Grade 46 Oil Only. Do not use other oils. See Service Manual for details.

WARNING

Use only Grade 46 Oil Only. Do not use other oils. See Service Manual for details.

WARNING

Use only Grade 46 Oil Only. Do not use other oils. See Service Manual for details.

6

NOTE: DECALS ON THIS PAGE ARE NO LONGER AVAILABLE FOR INDIVIDUAL SALE.

WARNING

Use only Grade 46 Oil Only. Do not use other oils. See Service Manual for details.

WARNING

Use only Grade 46 Oil Only. Do not use other oils. See Service Manual for details.

WARNING

Use only Grade 46 Oil Only. Do not use other oils. See Service Manual for details.

WARNING

Use only Grade 46 Oil Only. Do not use other oils. See Service Manual for details.

LANDOLL 173699_sheet 1

Figure 1-9: Decals (1 of 2)

Hydraulic Control Valve (1 of 2)

ITEM	PART NUMBER	DESCRIPTION	QTY.
1	146357	NUT HVY HEX 1/4-20, GR5	1
2	146355	WASHER, LKG HLCL SPR, 1/4	1
3	110116	WASHER, FLAT 1/4, ZP	2
4	146356	BATTERY CLAMP BRKT	1
5	0018119	BOLT, BI-T3 BATTERY HLDN J	1
6	107470	TRAY WLDMT, BIs5 FENDER/BAT	3
7	104382	SCREW M10-1.25 X 25 HCS 10.9, ZP	1
8	119734	LOCKWASHER M10, ZP	4
9	108336	WASHER, FL HS M10 PLATED	4
10	110222	CABLE ASSY BATTERY NEGATIVE	3
11	128862	CABLE ASSY BATTERY POS 42 LNG	4
12	127621	BATTERY 12 VOLT	1
13	142337	BRACKET, BIs5 FUSE BOX MOUNT	1
14	189872	NUT SPIRAL 1/4-20HX FG	1
15	152120	WASHER, FLAT #10, ZP/CD	2
16	193862	WASHER, LKG, HLCL SPR, NO 10	1

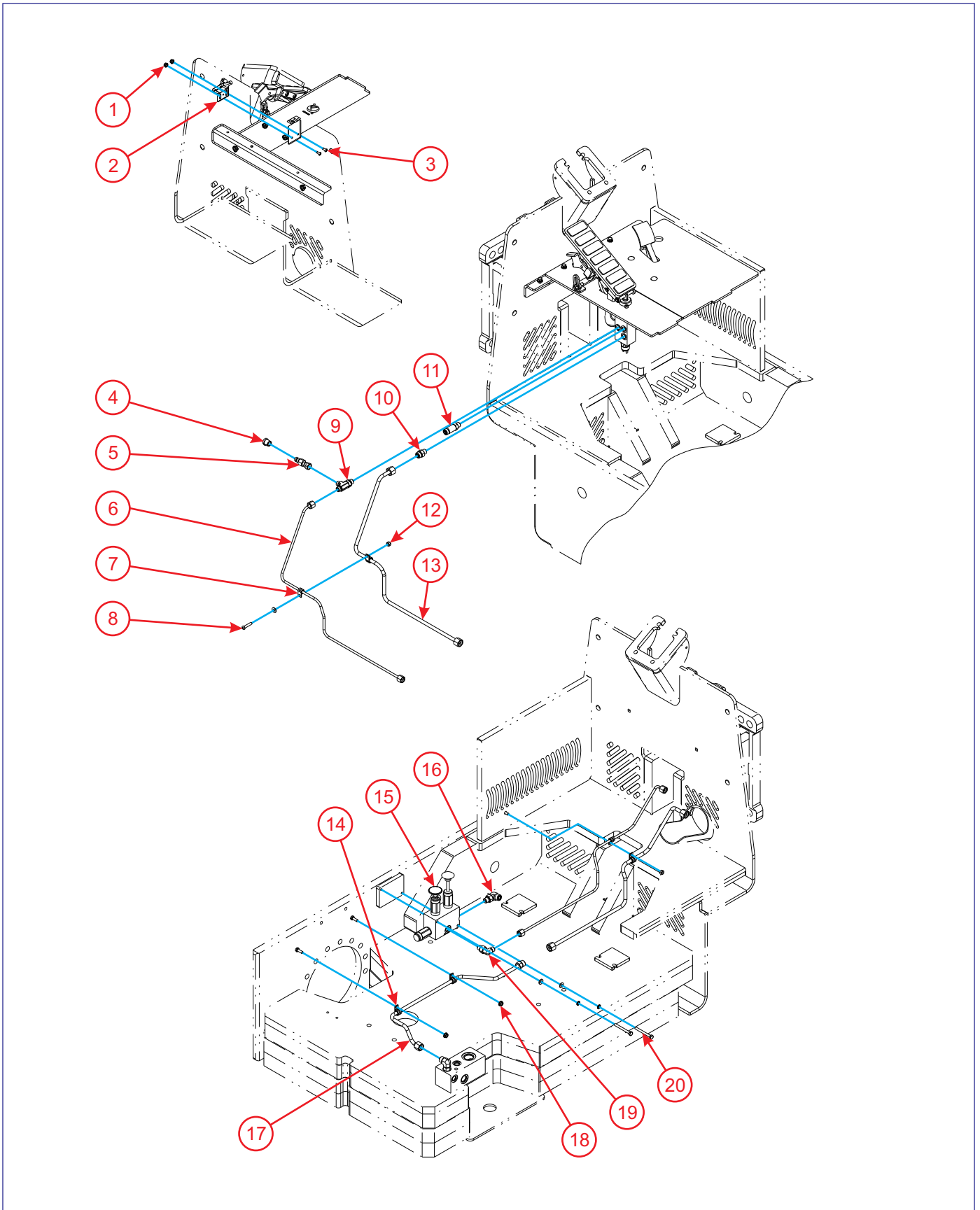


Figure 1-20: Brake Hydraulics and Accelerator (1 of 2)

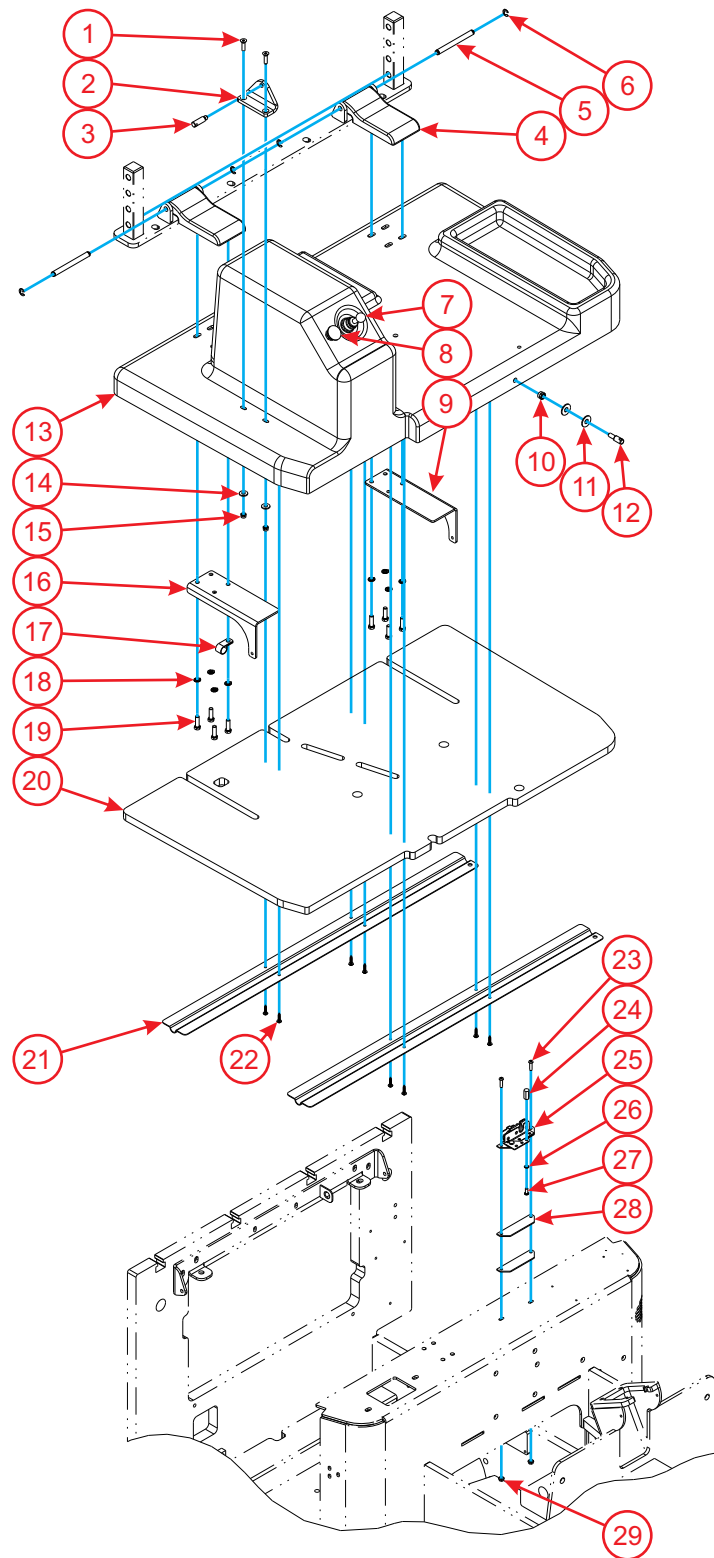


Figure 1-26: Seat Base Installation (1 of 2)

Exhaust Installation

ITEM	PART NUMBER	DESCRIPTION	QTY.
1	1-510-010004-03	NUT HX FLANGE, 5/16-18, GR8	4
2	183119	BRACKET, BIs5 RH MUFFLER MNT	1
3	1-861-010032-08	WASHER, FLAT 5/16 N, ZP	4
4	1-654-010049-06	SCREW, H/CAP, 5/16-18UNC X 1-1/4	4
5	183022	PIPE, BIs5 EXHAUST HEAD	1
6	183132	SHIELD, BIs5 MUFFLER HEAT	1
7	1-861-010061-08	WASHER, FLAT M6 STD, ZP	6
8	6EM60ER	WASHER, LOCK SPRING M6, ZP	6
9	1CM616ER	SCREW, HX HD M6 X 16MM CL8.8, ZP	6
10	188380	NUT, FLGHD, SPIRALOCK, 7/16-14UNC	2
11	1-654-010053-05	SCREW, HXCP 7/16-14UNC X 1-1/2, G5	2
12	1-861-010032-12	WASHER, FL 7/16, ZP/CD	2
13	183017	PIPE, BIs5 EXHAUST DIFFUSER	1
14	1-654-010051-05	SCREW, HEX CAP 3/8-16UNC X 1, GR5	4
15	1-861-010034-11	WASHER, LKG HLCL SPR, 3/8	4
16	1-861-010032-10	WASHER, FLAT 3/8" N, ZP/CD	4
17	183120	BRACKET, BIs5 LH MUFFLER MNT	1
18	149460	WASHER, FLAT M8 NRW, ZP	4
19	6EM80ER	WASHER, LOCK SPRING M8	4
20	1CM825ER	SCREW, HH-M8 X 1.25-25-ZP-CL8.8	4

Wheel Assemblies

ITEM	PART NUMBER	DESCRIPTION	QTY.
1	5410	FITTING GREASE 1/4-28 90 1911	2
2	110-0354	5/32 X 1-1/2 COTTER PIN, ZP	2
3	0022015	SEAL, LOAD WHEEL	2
4	0022008	BEARING, CONE, LOAD WHL, BENDI48	4
5	113099	WASHER, BT SPINDLE	2
6	1-516-010001-20	NUT, HX SLOT 1-14	2
7	0022016	O-RING, LOAD WHEEL, BENDI 48	2
8	0019039	HUB CAP, LOAD WHEEL	2
9	1-654-010065-15	SCREW, HX CP 1-8UNC X 5, GR5	4
10	1-861-010034-21	WASHER, LKG HEL SPRG 1IN	4
11	107202	BLOCK, BT FRT AXLE MNT	2
12	100018	BUSHING, BT FRT AXLE PIVOT	5
13	40-0861	O-RING, TRUNNION COVER	2
14	40-0848	PLATE, TILT BLOCK COVER	2
15	3-654-010015	SCREW, CAP HSFC 1/4-20 X 1/2	8

CLICK HERE TO **DOWNLOAD** THE COMPLETE MANUAL

- Thank you very much for reading the preview of the manual.
- You can download the complete manual from: www.heydownloads.com by clicking the link below



- Please note: If there is no response to CLICKING the link, please download this PDF first and then click on it.

CLICK HERE TO **DOWNLOAD** THE COMPLETE MANUAL