



TEREX
LIGHT CONSTRUCTION

SERIES AL4000D1
LIGHT TOWER
OPERATION/SERVICE
& PARTS MANUAL

After Serial Number:
FKF-13923

PART NUMBER SFMAL4D1
REVISION B
SEPTEMBER 2006

CLICK HERE TO **DOWNLOAD** THE COMPLETE MANUAL

- Thank you very much for reading the preview of the manual.
- You can download the complete manual from: www.heydownloads.com by clicking the link below



- Please note: If there is no response to CLICKING the link, please download this PDF first and then click on it.

CLICK HERE TO **DOWNLOAD** THE COMPLETE MANUAL

TEREX LIGHT CONSTRUCTION
PORTABLE LIGHT TOWER
OPERATION AND SERVICE MANUAL

This Operation and Service Manual contains information pertaining to the operation and maintenance of your Terex Light Tower. We suggest that you read this manual carefully prior to operating the tower. This manual should be retained and referred to for operation, maintenance, and ordering parts. When ordering parts, **PLEASE INCLUDE THE MODEL AND SERIAL NUMBER** located on the nameplate of the tower.

For major repair and service or other information, contact your local Terex dealer or write to:

Terex Light Construction
P.O. Box 3147
590 Huey Road
Rock Hill, SC 29730
Telephone: (803) 324-3011
FAX: (803) 366-1101

When returning parts for credit please contact the factory for Return of Goods Authorization.

Terex Model Number _____

Serial Number _____

Engine Model Number _____

Serial Number _____

Generator Model Number _____

Serial Number _____

Sold to: _____

Ship to: _____

Options: _____

Production Date: _____

Work Order Number _____

Shipping Date _____

In Service Date _____

When this unit left the factory the engine was filled with engine oil grade _____

TRACEABLE NUMBERED WIRING SYSTEM

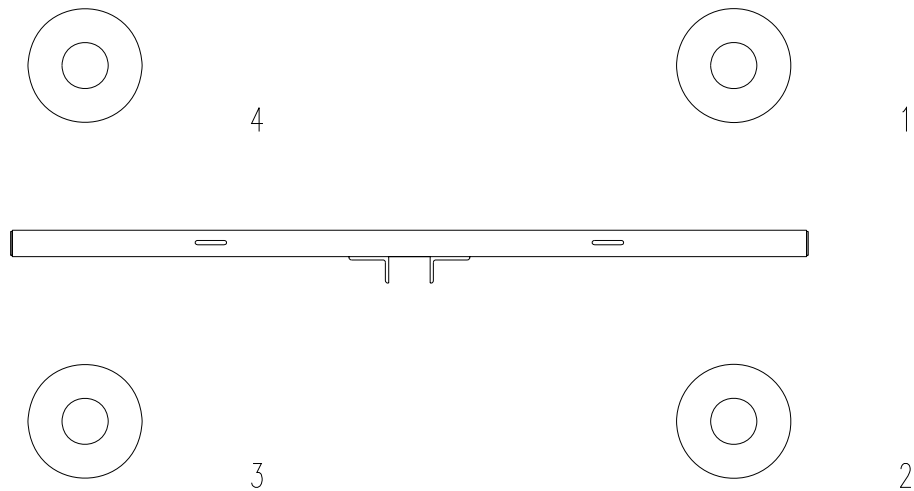
(Using plug in ballasts to troubleshoot)

When troubleshooting the preceding problems, minimize down time by following the traceable numbered wiring system, always follow these steps:

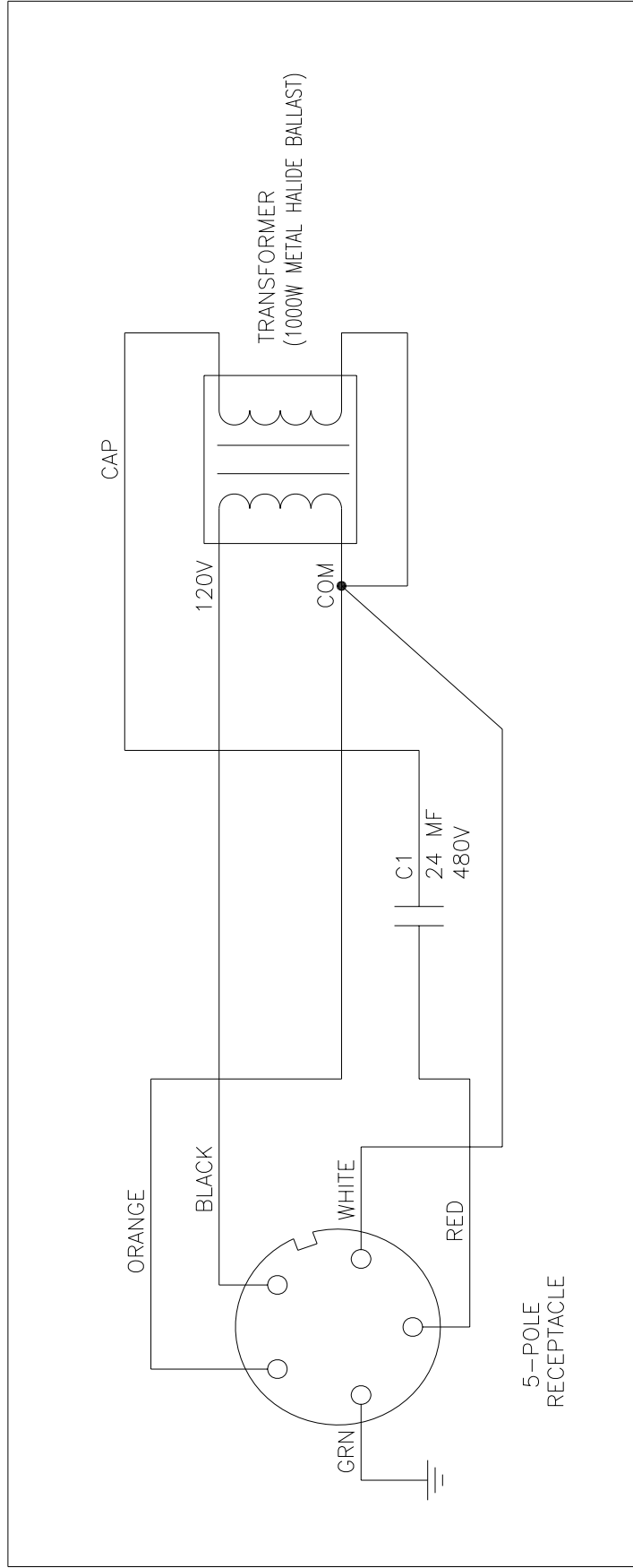
STEP1: Insure all ballasts, which are numbered, are plugged into lead wires with corresponding numbers.

STEP2: Looking at the lights from the glass side and following the diagram below, plug each fixture into the appropriately numbered plug at the top of the tower.

By adhering to the traceable numbered wiring system, troubleshooting, fixture aiming, and fixture control will follow a standard predictable pattern.



PART # WD2986		DWG. # 2986	
ITEM #	PART #	DESCRIPTION	#REQ

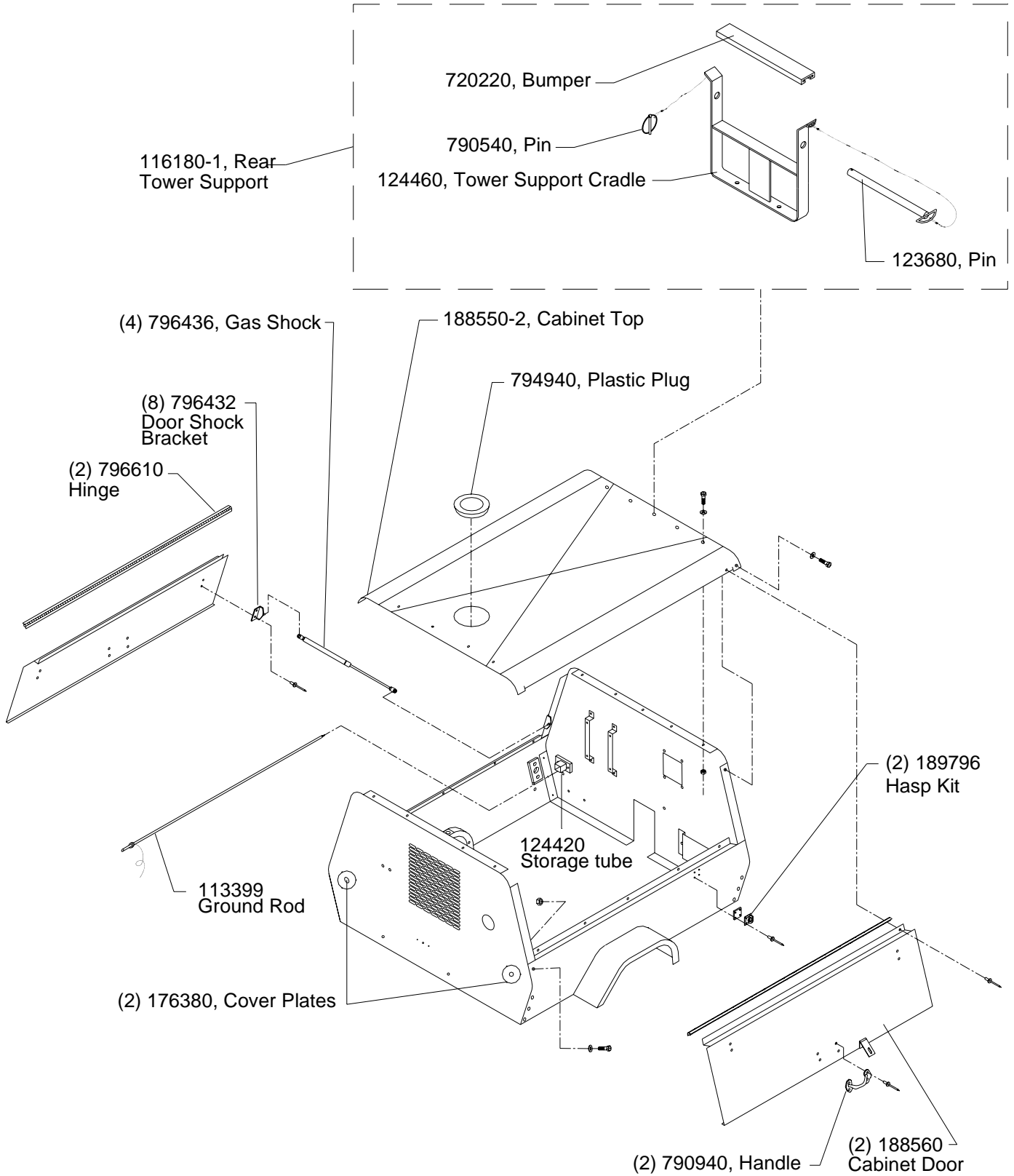


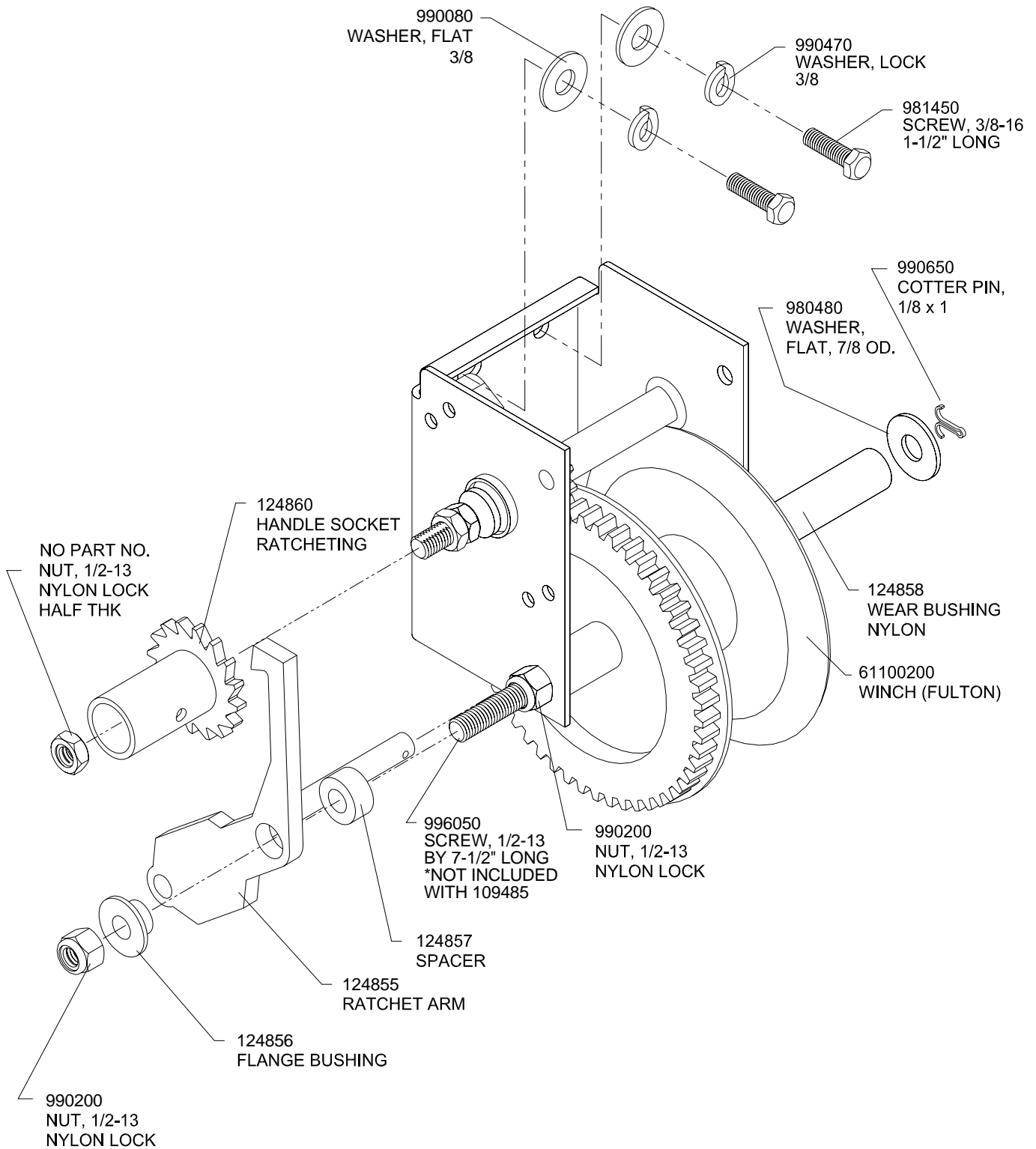
5-POLE
RECEPTACLE

<u>COLOR</u>	<u>CIRCUIT</u>
BLACK	INPUT 120V
WHITE	INPUT COMMON
RED	LAMP HOT
ORANGE	LAMP COMMON
GREEN	GROUND

REV.	DATE	ECO #	CHANGE
TOLERANCES UNLESS OTHERWISE SPECIFIED:			
Fractions $\pm 1/16$			
Decimals $.XX = \pm .030$ $.XXX = \pm .010$			
$.XXXX = \pm .005$			
Degrees $\pm 1/2^\circ$			
REMOVE ALL BURRS & SHARP EDGES			
WIRING DIAGRAM - 1000MH BALLAST			
MATL.		W/JOY CONNECTOR	
MAT P/N	USAGE	DR BY CNM	APP BY
PLOT 4/30/91		DATE 4/30/91	
		PART # WD2986	
		DWG. # 2986	

TereX
590 HUJEU Rd., ROCK HILL, S.C.
Ph. (803) 324-3011 FAX 366-1101





109485 WINCH SAFETY-LOC SYSTEM (INCLUDES NEW WINCH)
109486 WINCH SAFETY-LOC SYSTEM (DOES NOT INCLUDE NEW WINCH)

850107 SAFETY DECAL



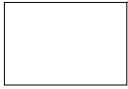
TEREX
LIGHT CONSTRUCTION

Model: AL4000 LIGHT TOWER

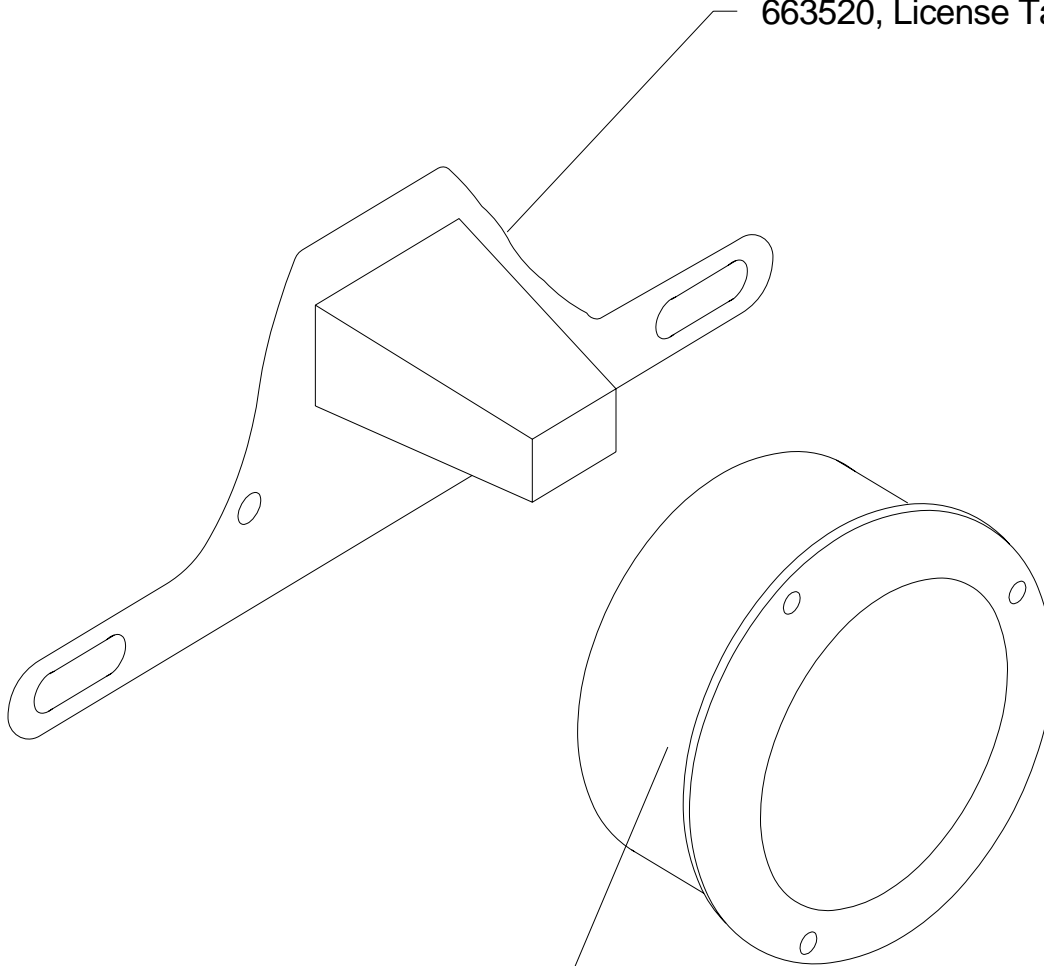
Title: Stop, Tail & Turn Light, Tag Light

Option:
OLTX0080

663525, Light Side Marker, Amber



663520, License Tag Light w/ Bracket



663840, Stop, Tail & Turn Light

CLICK HERE TO **DOWNLOAD** THE COMPLETE MANUAL

- Thank you very much for reading the preview of the manual.
- You can download the complete manual from: www.heydownloads.com by clicking the link below



- Please note: If there is no response to CLICKING the link, please download this PDF first and then click on it.

CLICK HERE TO **DOWNLOAD** THE COMPLETE MANUAL