



**TEREX**  
**LIGHT CONSTRUCTION**

# **SERIES RL4000D1**

## **LIGHT TOWER**

### **OPERATION/SERVICE**

### **& PARTS MANUAL**

After Serial Number :

**FOF-15979**

PART NUMBER SFMRL4D1  
REVISION A  
FEBRUARY 2006

CLICK HERE TO **DOWNLOAD** THE COMPLETE MANUAL

- Thank you very much for reading the preview of the manual.
- You can download the complete manual from: [www.heydownloads.com](http://www.heydownloads.com) by clicking the link below



- Please note: If there is no response to CLICKING the link, please download this PDF first and then click on it.

CLICK HERE TO **DOWNLOAD** THE COMPLETE MANUAL

---

## Transport & Towing

---


- 1) Using the front leveling jack, securely attach the light tower to the transporting vehicle.
- 2) Insure that the coupler is properly secured to the towing vehicle and attach the safety chains.

**⚠ WARNING** ALWAYS USE THE PROPER TRAILER HITCH AND SAFETY CHAINS. OBEY ALL LOCAL OR STATE D.O.T. LAWS WHEN TOWING A LIGHT TOWER.

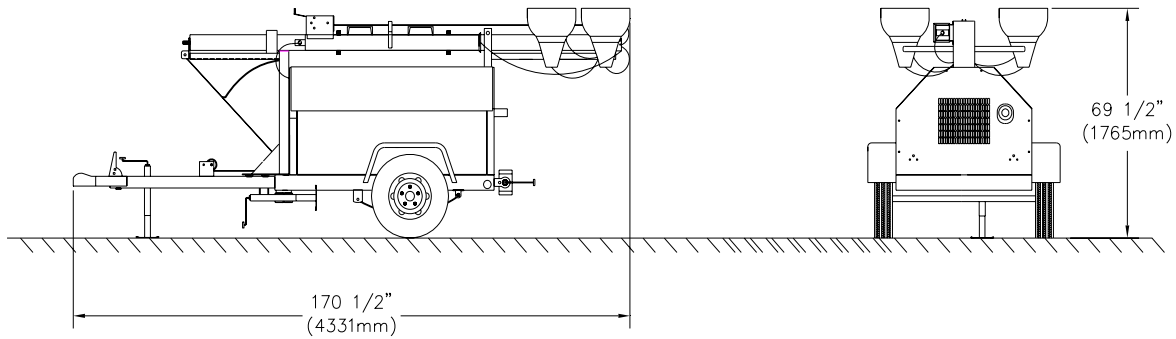
**⚠ WARNING** FAILURE TO PROPERLY SECURE THE TRAILER TO THE TOWING VEHICLE MAY RESULT IN SERIOUS INJURY OR DEATH.

- 3) Retract and rotate the front leveling jack into its stowed position.
- 4) Check the tires for proper inflation (32psi) and verify the lug nuts are tight.
- 5) Position all outriggers and jacks into the stowed or travel position.
- 6) Verify that the fixtures are secure and ready for transport.
- 7) Secure all loose locking pins and retainers.
- 8) Make sure all doors are closed and tightly locked.
- 9) Remove tire chocks.

**⚠ CAUTION** Towing of a Terex light tower is approved with the light fixtures in place on the crosshead assembly for all off road terrain and highway towing as long as the following speed limits are followed:  
Highway towing- 45 MPH max  
Off road towing- 10 MPH max  
Severe damage may occur from excessive speeds. Damage created by abuse will void the manufacturer's warranty.

 <b>TEREX</b> <b>LIGHT CONSTRUCTION</b>	Model: RL4000 Light Tower	
	Title: Specifications and Dimensions	

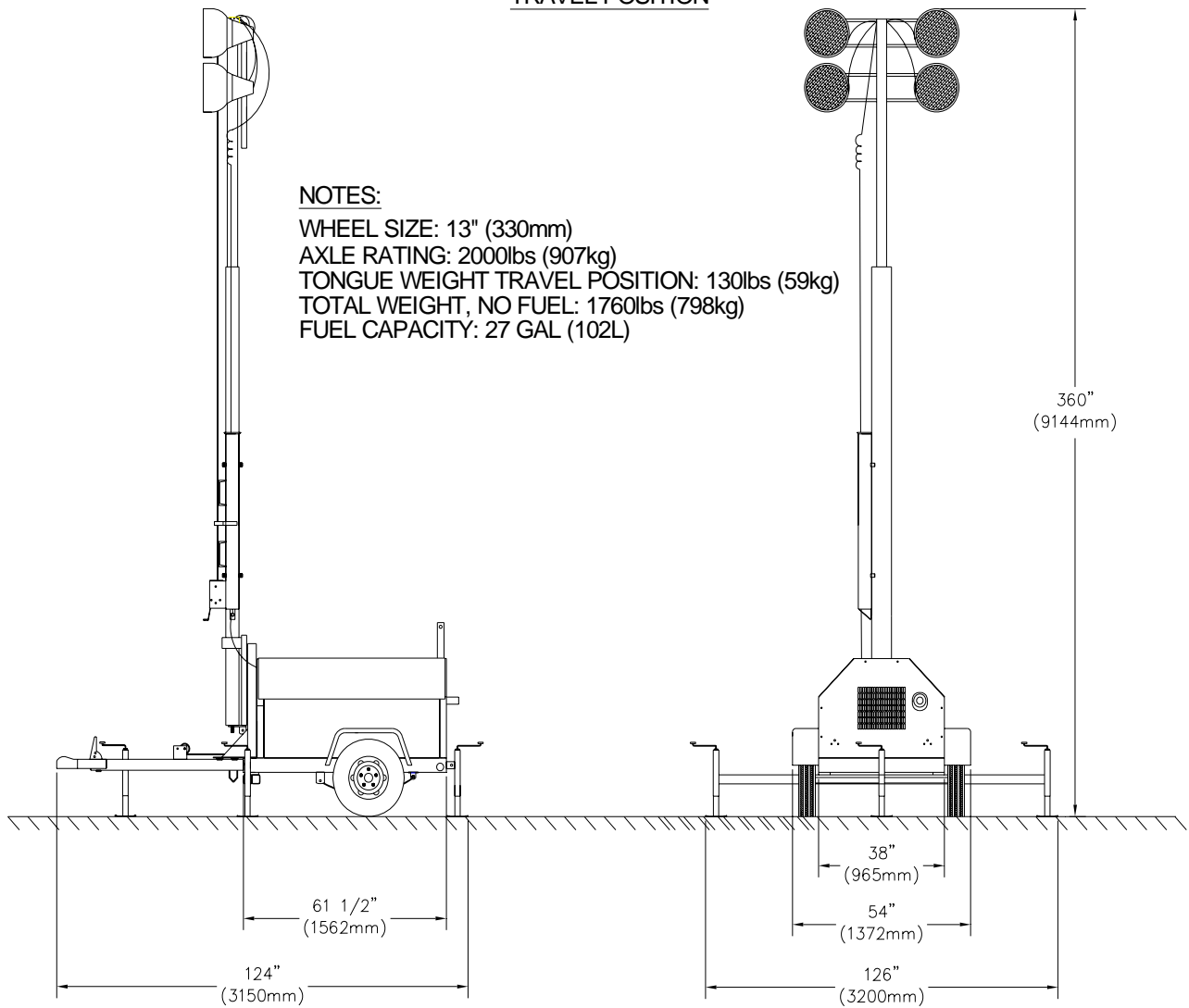
### Specifications and Dimensions



#### TRAVEL POSITION

**NOTES:**

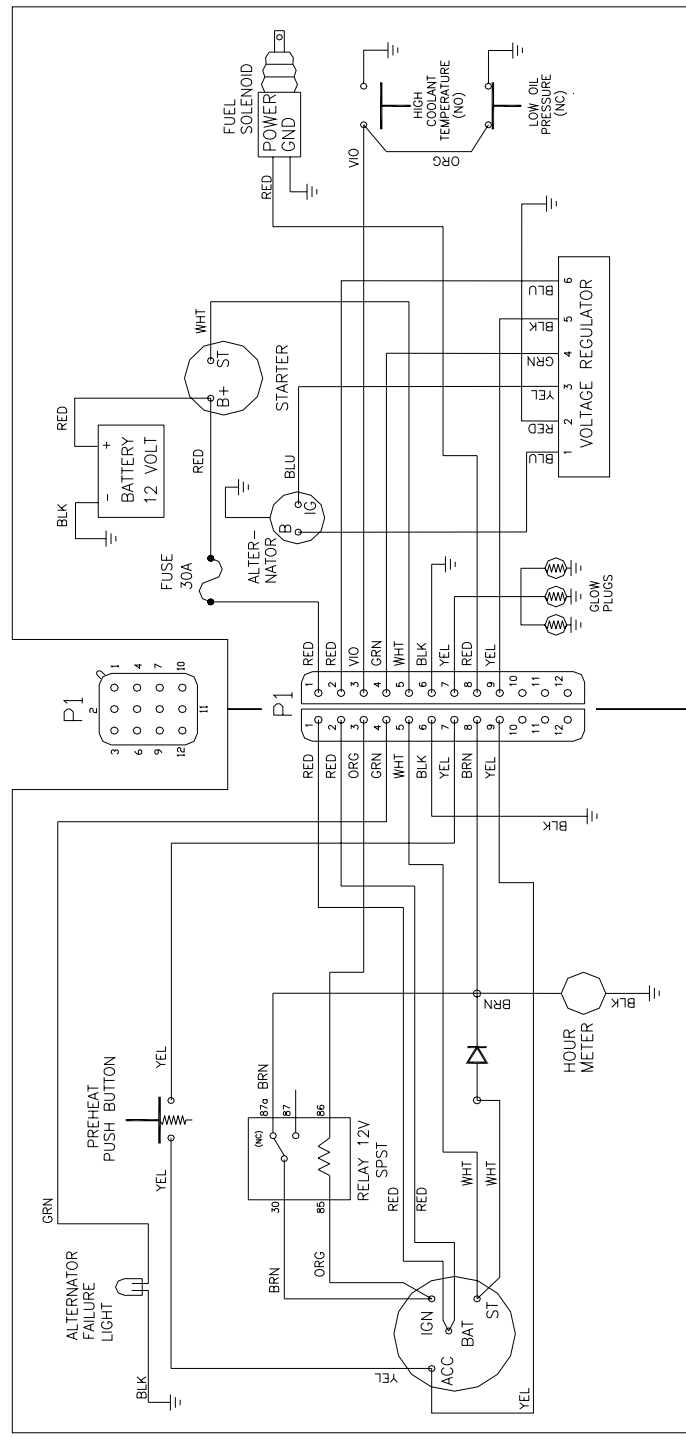
- WHEEL SIZE: 13" (330mm)
- AXLE RATING: 2000lbs (907kg)
- TONGUE WEIGHT TRAVEL POSITION: 130lbs (59kg)
- TOTAL WEIGHT, NO FUEL: 1760lbs (798kg)
- FUEL CAPACITY: 27 GAL (102L)



#### OPERATING POSITION

DRAWING NO.	6549	REV.	1	DATE	APPROVED
DESCRIPTION	ENGINE COMPONENTS				

# ENGINE COMPONENTS



SWITCH	TERMINAL	ACC	BAT	ST	IGN	LS
STARTER	1	●	●	●	●	●
RUN	2	●	●	●	●	●
OFF	3	●	●	●	●	●
STOP	4	●	●	●	●	●
STOP	5	●	●	●	●	●
STOP	6	●	●	●	●	●

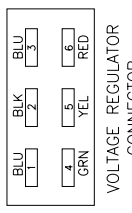
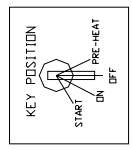


FIG. NO.	1	QTY.	1	PART OR IDENTIFYING NO.		NOMENCLATURE OR DESCRIPTION		MATERIAL OR NOTE
<p>TEREX LIGHT CONSTRUCTION</p> <p>ALL RIGHTS RESERVED          THIS DRAWING IS PROPERTY OF          COLEMAN ENGINEERING, INC.          ANY REPRODUCTION WITHOUT          WRITTEN PERMISSION OF          COLEMAN ENGINEERING, INC.          IS PROHIBITED.</p> <p>DO NOT SCALE THIS DRAWING</p>								
PURCHASING		DATE		SCALE		SHEET		1 OF 1
APPROVED	DATE	SCALE	DRAWING NO.		SHEET		1 OF 1	
ENGINEER	DATE	SCALE	DRAWING NO.		SHEET		1 OF 1	
DRAWN	DATE	SCALE	DRAWING NO.		SHEET		1 OF 1	

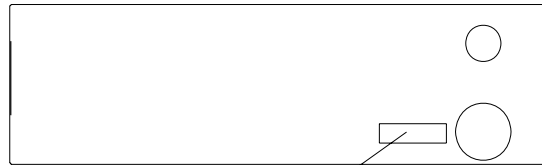


**TEREX**  
LIGHT CONSTRUCTION

Model: RL4000 Light Tower  
Title: Cabinet Decal Layout

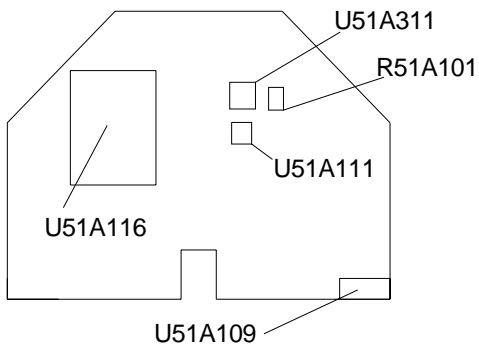
TOP PANEL

109055  
DECAL KIT

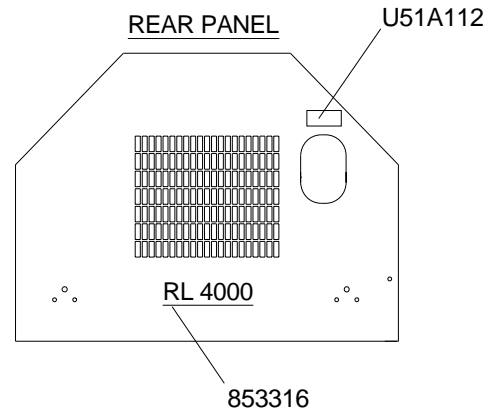


850150

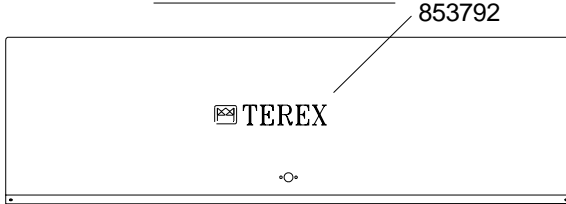
FRONT PANEL



REAR PANEL

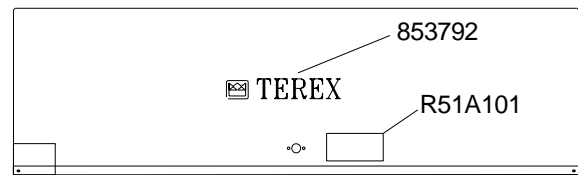


LEFT ACCESS DOOR



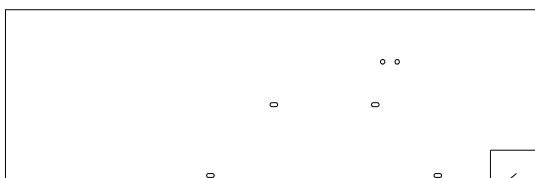
853736 AND 853737 INSIDE DOOR

RIGHT ACCESS DOOR



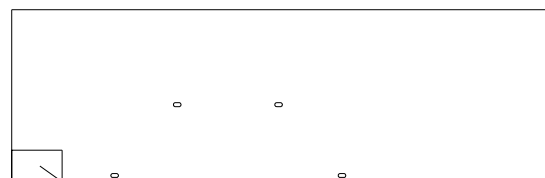
52100100 U51A102 INSIDE DOOR

LEFT UNDERDOOR PANEL



U51A105

RIGHT UNDERDOOR PANEL

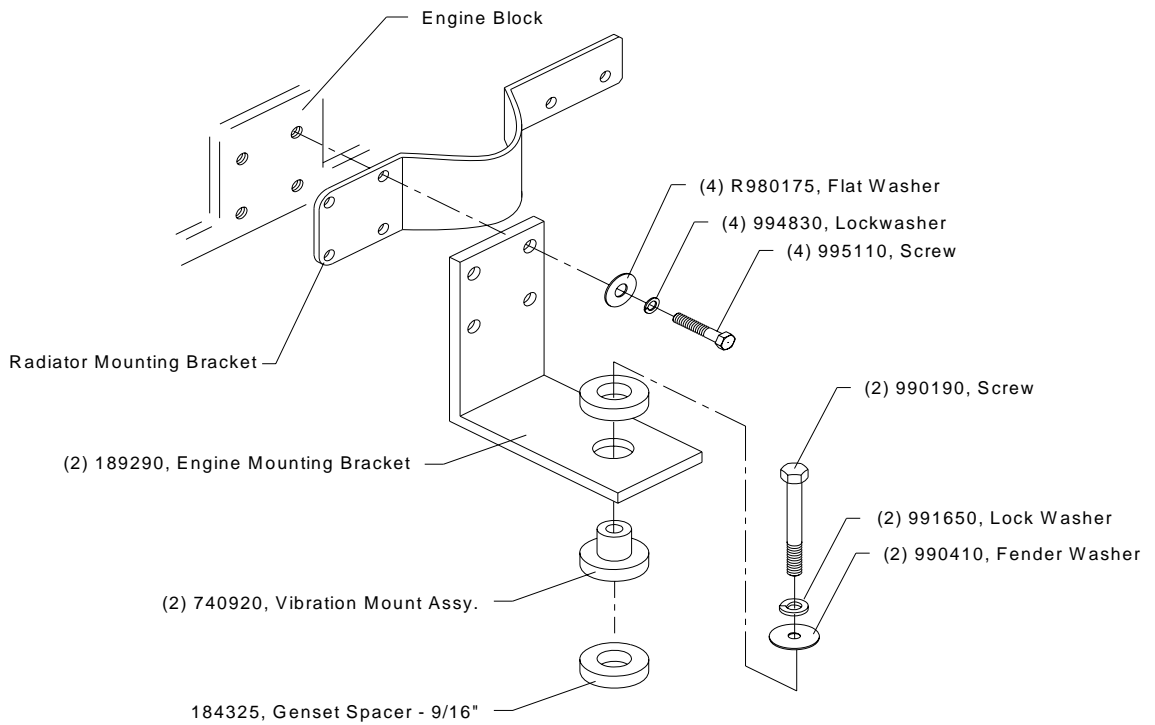
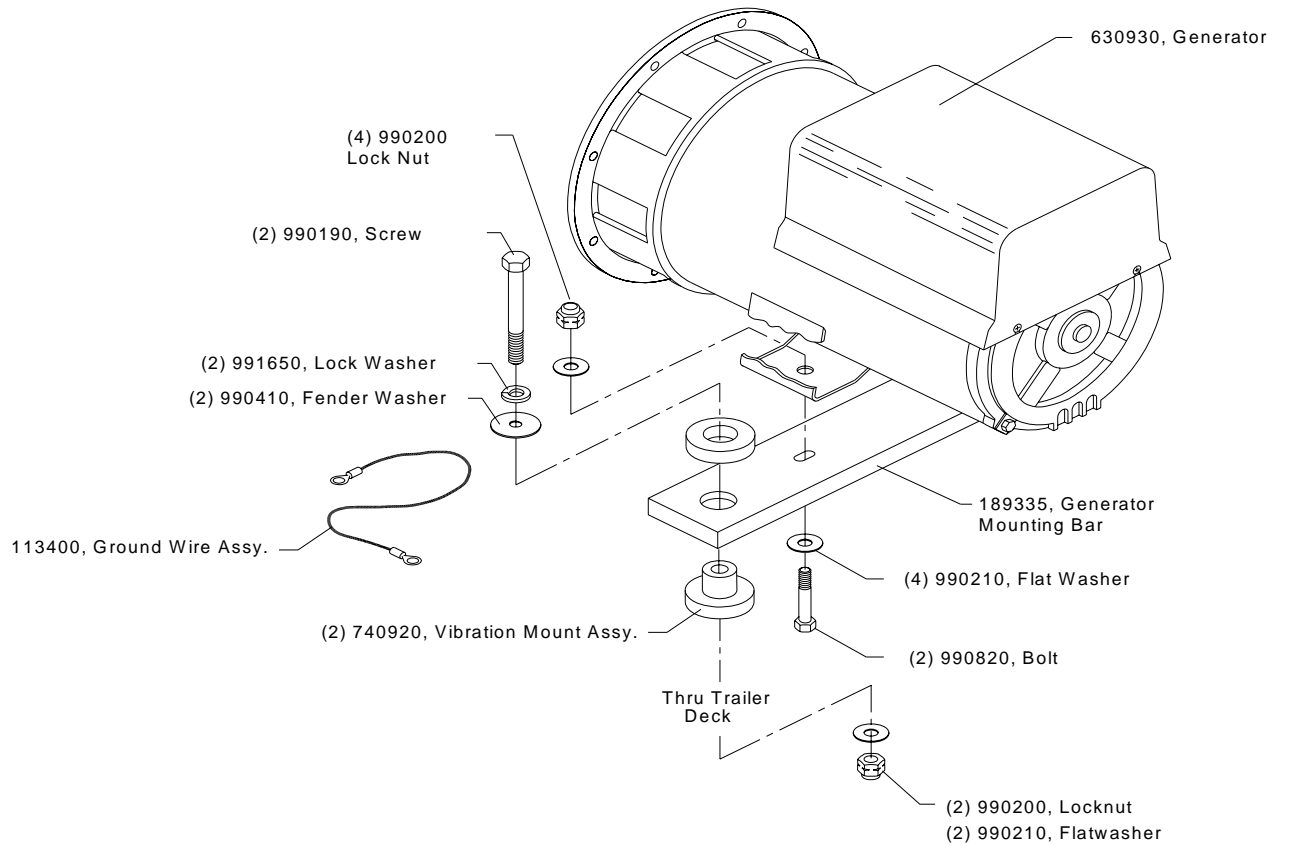


U51A105



**TEREX**  
LIGHT CONSTRUCTION

Model:	RL4000 Light Tower
Title:	Generator



CLICK HERE TO **DOWNLOAD** THE COMPLETE MANUAL

- Thank you very much for reading the preview of the manual.
- You can download the complete manual from: [www.heydownloads.com](http://www.heydownloads.com) by clicking the link below



- Please note: If there is no response to CLICKING the link, please download this PDF first and then click on it.

CLICK HERE TO **DOWNLOAD** THE COMPLETE MANUAL