



Bobcat®

Operation & Maintenance Manual



Tilt Coupler

MECHANICAL TILT COUPLER

(TC01) B4GT00101 & Above
 (TC01WLH) B4GZ00101 & Above
 (TC03) B4GU00101 & Above, B4GV00101 & Above
 (TC03) B4GW00101 & Above, B4GY00101 & Above
 (TC03WLH) B4H100101 & Above, B4H200101 & Above
 (TC03WLH) B4H300101 & Above, B4H400101 & Above
 (TC08WLH) B4H500101 & Above

HYDRAULIC TILT COUPLER

(TC03) B4HG00101 & Above, B4HH00101 & Above
 (TC03) B4HJ00101 & Above, B4HK00101 & Above
 (TC03WLH) B4HL00101 & Above, B4HM00101 & Above
 (TC03WLH) B4HN00101 & Above, B4HP00101 & Above
 (TC08WLH) B4HR00101 & Above



CLICK HERE TO **DOWNLOAD** THE COMPLETE MANUAL

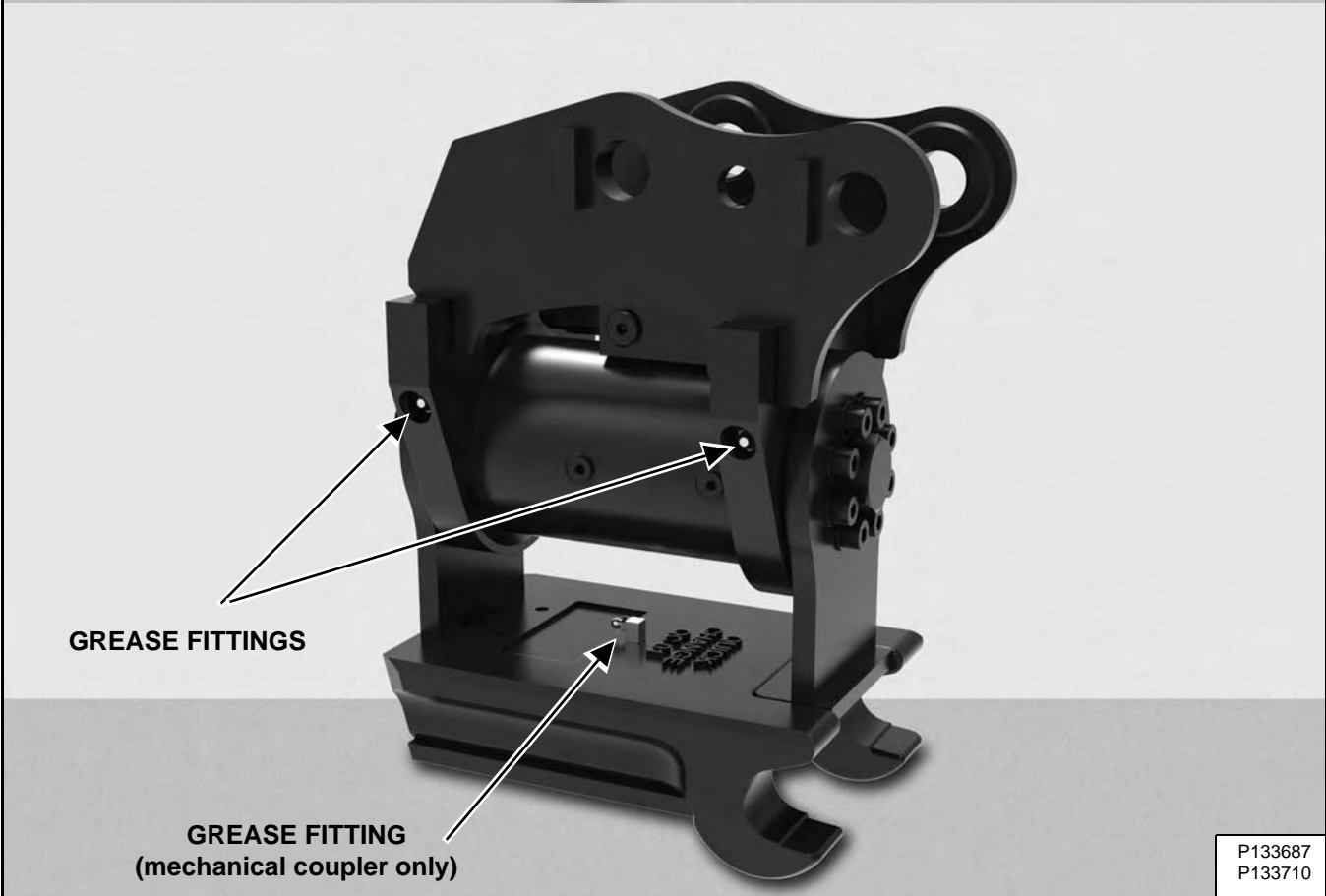
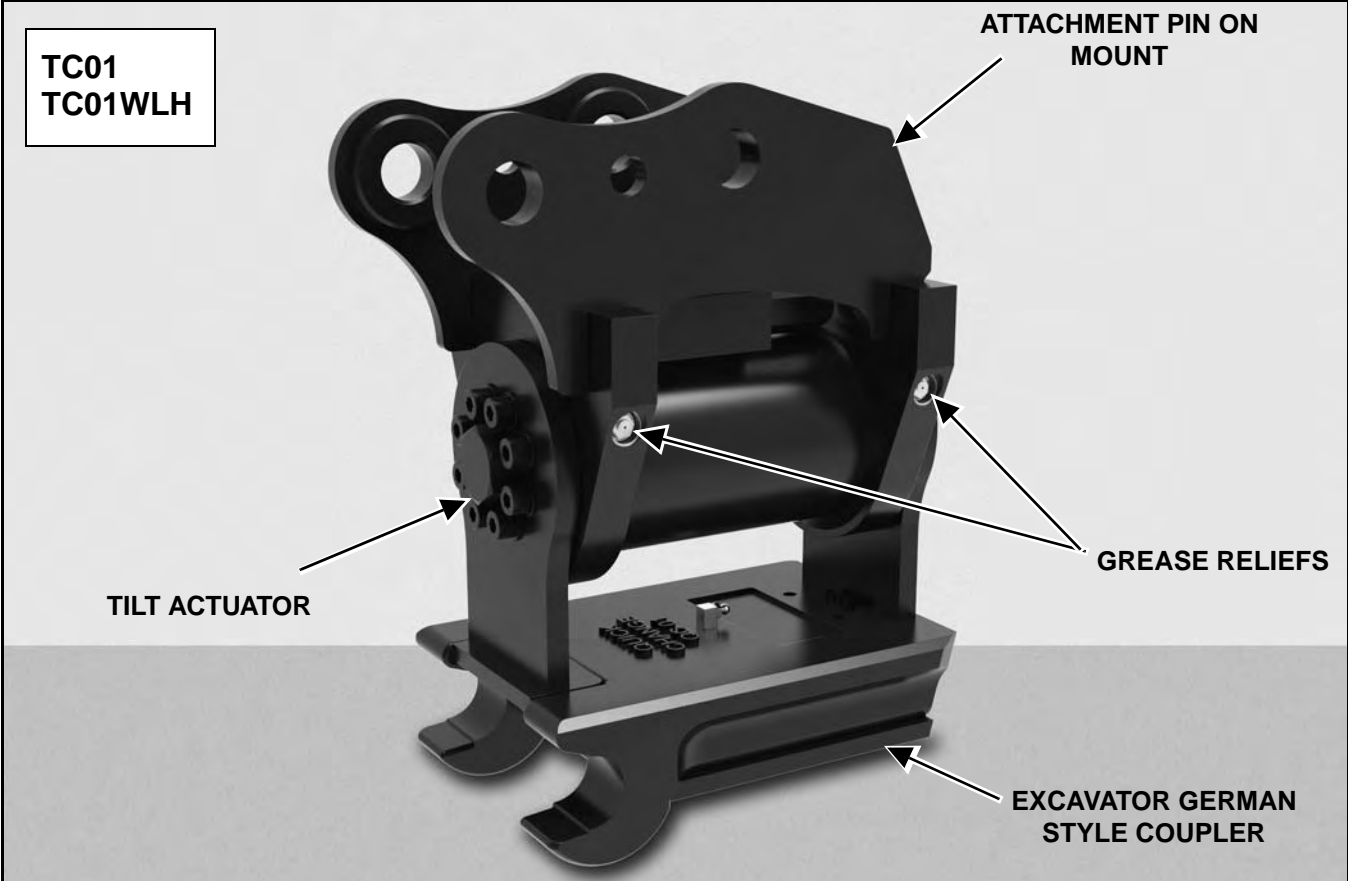
- Thank you very much for reading the preview of the manual.
- You can download the complete manual from: www.heydownloads.com by clicking the link below



- Please note: If there is no response to CLICKING the link, please download this PDF first and then click on it.

CLICK HERE TO **DOWNLOAD** THE COMPLETE MANUAL

ATTACHMENT IDENTIFICATION



PUBLICATIONS AND TRAINING RESOURCES

The following publications are also available for your Bobcat attachment. You can order from your Bobcat dealer.

For the latest information on Bobcat products and the Bobcat Company, visit our web site at Bobcat.eu



OPERATION & MAINTENANCE MANUAL

7332567enGB

Complete instructions on the correct operation and the routine maintenance of the Bobcat attachment.



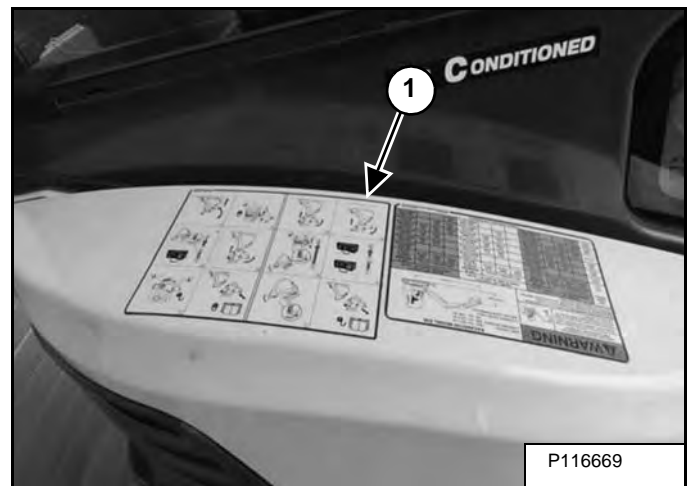
SERVICE MANUAL

7332568enUS

Complete maintenance and overhaul instructions for your Bobcat attachment.

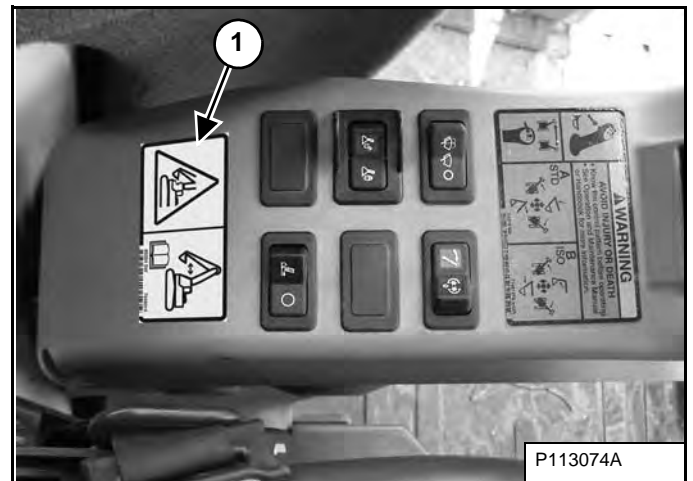
ATTACHMENT SIGNS (DECALS)

Figure 5



The coupler operation decal (Item 1) [Figure 5] P/N 7320471 or 7174312 is located on the right side cover of the excavator.

Figure 6



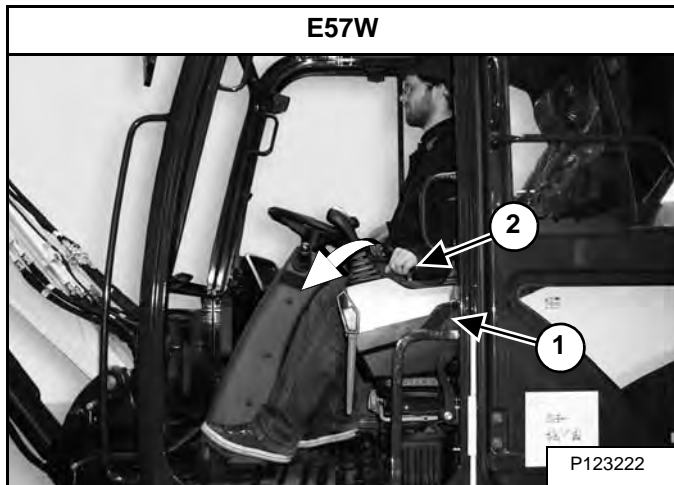
The safety decal (Item 1) [Figure 6] P/N 7246010 is located on the left console of the excavator.

OPERATING PROCEDURE WITH EXCAVATORS (CONT'D)

Entering And Exiting the Excavator (Cont'd)

Entering (Cont'd)

Figure 15



Lower the left console (Item 1) by pushing the lever (Item 2) [Figure 17].

Figure 16



Raise the left console lever (Item 1) [Figure 16] to its UNLOCK position.

Figure 17



Lower the left control console (Item 1) [Figure 15] or [Figure 17] before starting the engine.

NOTE: There is a control lock switch in the left console which deactivates the hydraulic control levers (joysticks and traction system) when the control console lock lever is raised. The console must be in the locked down position for the hydraulic control levers (joysticks and traction system) to operate.

NOTE: If the control lock switch does not deactivate the control levers when the console lock lever is raised, see your Bobcat dealer for service.

(See the excavator's Operation & Maintenance Manual and Operator's Handbook for detailed information on operating the excavator.)

OPERATING PROCEDURE WITH EXCAVATORS (CONT'D)

Installing The Attachment (Hydraulic Tilt Coupler)

See your Bobcat dealer for a list of approved attachments for the type of quick coupler installed on the machine.

NOTE: Coupler equipped with the lifting device can only be used on machines where the overload warning device and the boom and arm load holding valves are installed. See your Bobcat dealer for available kits.

NOTE: Installation and removal of the bucket is shown. The procedure is the same for other attachments. Disconnect any hydraulic lines that are operated by hydraulic power before removing any attachments (breaker, auger, etc.).

WARNING

AVOID INJURY OR DEATH

Never use attachments or buckets which are not approved by Bobcat Company. Buckets and attachments for safe loads of specified densities are approved for each model. Unapproved attachments can cause injury or death.

W-2052-0907

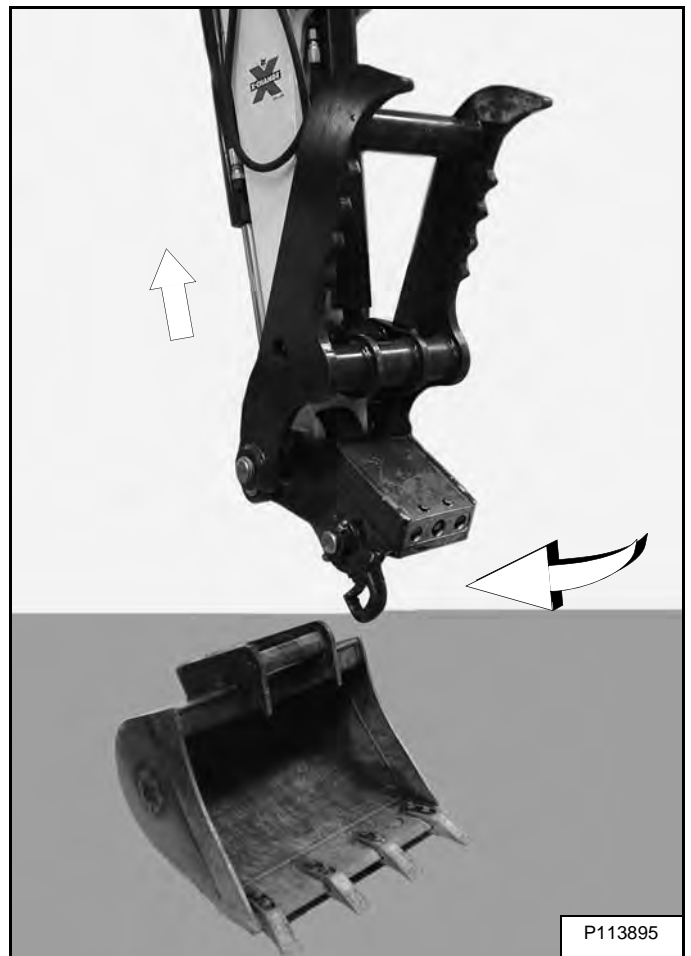
WARNING

Keep all bystanders 6 m (20 ft) away from equipment when operating. Contact with moving parts, a trench cave-in or flying objects can cause injury or death.

W-2119-0910

Start the engine. (See the machine's Operation & Maintenance Manual for the correct procedure.)

Figure 36



Position the arm and quick coupler to the attachment [Figure 36].

NOTE: If equipped with a hydraulic clamp, fully retract the hydraulic clamp cylinder so the clamp is out of the way for installing the attachment.

OPERATING PROCEDURE WITH EXCAVATORS (CONT'D)

Operation With The Excavator (Cont'd)

WARNING

Rotating attachment can cause serious injury or death. Keep away during operation.

W-2843-0210

Figure 64



Figure 65



Figure 66



Figure 67



The tilt coupler allows the bucket to be rotated each direction so the operator can cut slopes, ditches and grade [Figure 64], [Figure 65], [Figure 66] and [Figure 67].

Use the boom, bucket and arm controls to provide uniform digging depth.

SERVICE SCHEDULE

Description

Maintenance work must be done at regular intervals. Failure to do so will result in excessive wear and early failures. The service schedule is a guide for correct maintenance of the Bobcat product.



AVOID INJURY OR DEATH

Instructions are necessary before operating or servicing machine. Read and understand the Operation & Maintenance Manual and signs (decals) on machine. Follow warnings and instructions in the manuals when making repairs, adjustments or servicing. Check for correct function after adjustments, repairs or service. Untrained operators and failure to follow instructions can cause injury or death.

W-2975-0413

Every 8 Hours

- **Bearings** - Lubricate all tilt coupler grease fittings. (See page 67.)
- **Inspection** - Inspect the tilt coupler. (See page 62.)

Every 1000 Hours

- **Hydraulic Fluid** - Flush the tilt coupler after 100 hours, then as scheduled. (See page 63.)

Maintenance



Instructions are necessary before operating or servicing machine. Read and understand the Operation & Maintenance Manual, Operator's Handbook and signs (decals) on machine. Follow warnings and instructions in the manuals when making repairs, adjustments or servicing. Check for correct function after adjustments, repairs or service. Untrained operators and failure to follow instructions can cause injury or death.

W-2003-0807

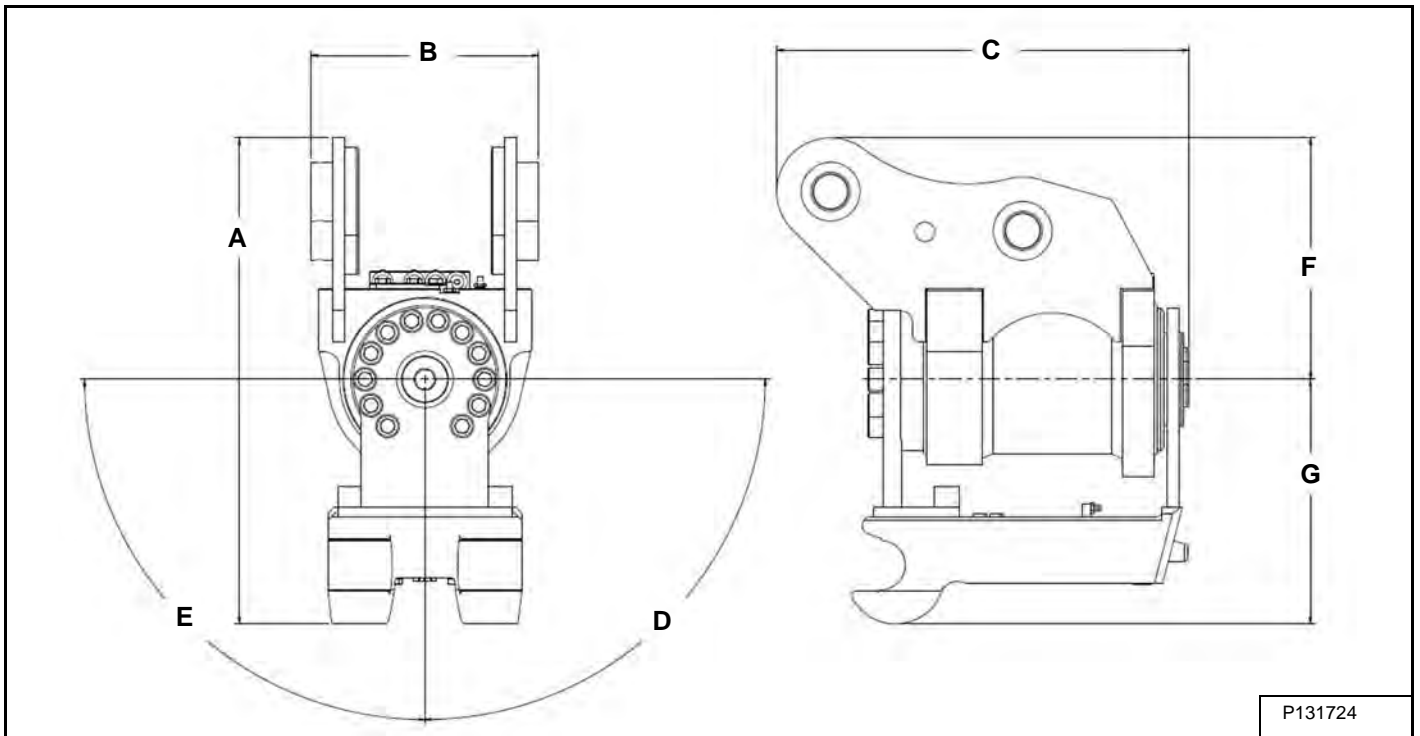
Monthly or Every 100 Hours

For model TC01, check shaft end play. When the end play exceeds 0,38 mm (0.015 in), the end cap must be tightened. (See the Service Manual for the correct procedure.)

TC01, TC03, TC08 SPECIFICATIONS

Dimensions - Without Lifting Hook

- Where applicable, specifications conform to **SAE and ISO** standards and are subject to change without notice.



P131724

DESCRIPTION	TC01 E17z/E17/E19/E20	TC03 E25/E26	TC03 E32/E35	TC03 E45/E50/E55	TC03 E57W/E62
Length (A)	397 mm (15.63 in)	467 mm (18.39 in)	496 mm (19.52 in)	524 mm (20.63 in)	544 mm (21.42 in)
Width (B)	190 mm (7.48 in)	232 mm (9.13 in)	232 mm (9.13 in)	259 mm (10.20 in)	277 mm (10.91 in)
Depth (C)	342 mm (13.46 in)	373 mm (14.69 in)	420 mm (16.54 in)	514 mm (20.24 in)	503 mm (19.80 in)
Rotation (D)	88° - 92°	88° - 92°	88° - 92°	88° - 92°	88° - 92°
Rotation (E)	88° - 92°	88° - 92°	88° - 92°	88° - 92°	88° - 92°
Dimension (F)	197 mm (7.76 in)	237 mm (9.33 in)	247 mm (9.72 in)	249 mm (9.80 in)	269 mm (10.59 in)
Dimension (G)	200 mm (7.87 in)	230 mm (9.06 in)	249 mm (9.80 in)	275 mm (10.83 in)	275 mm (10.83 in)

CLICK HERE TO **DOWNLOAD** THE COMPLETE MANUAL

- Thank you very much for reading the preview of the manual.
- You can download the complete manual from: www.heydownloads.com by clicking the link below



- Please note: If there is no response to CLICKING the link, please download this PDF first and then click on it.

CLICK HERE TO **DOWNLOAD** THE COMPLETE MANUAL