

**Operation & Maintenance
Manual**

SEAM02050501

**PC200,200LC-5
PC220,220LC-5
HYDRAULIC EXCAVATOR**

SERIAL NUMBERS **PC200,200LC :45001** and up
PC220,220LC :35001

KOMATSU

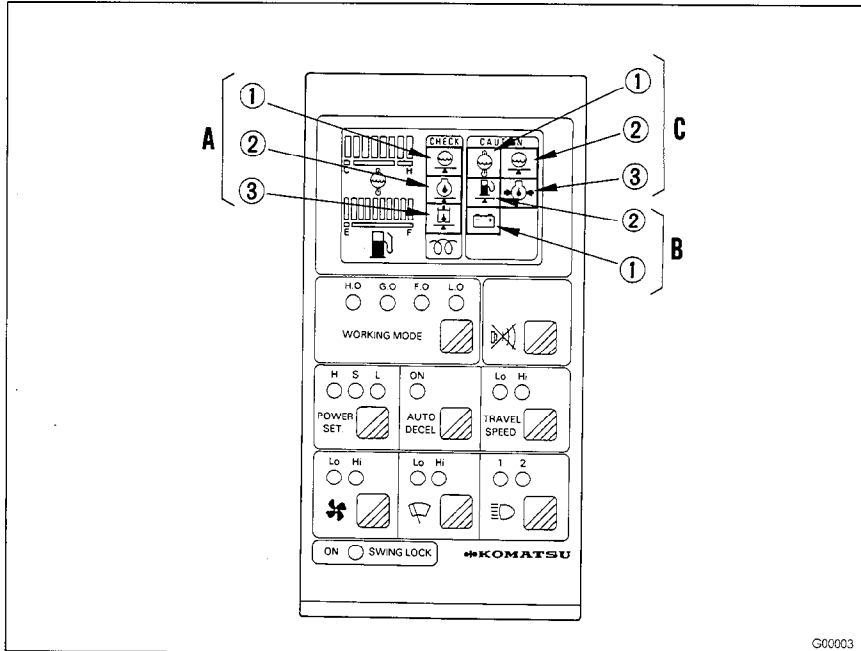
CLICK HERE TO **DOWNLOAD** THE COMPLETE MANUAL

- Thank you very much for reading the preview of the manual.
- You can download the complete manual from: www.heydownloads.com by clicking the link below

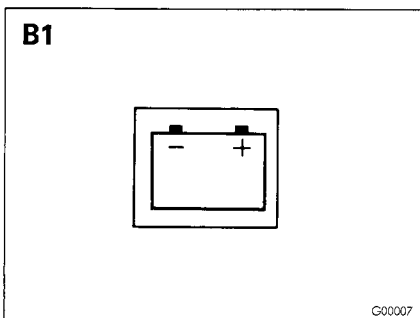
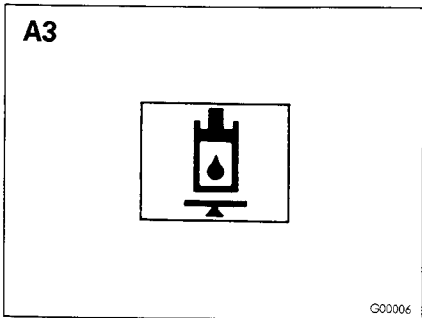
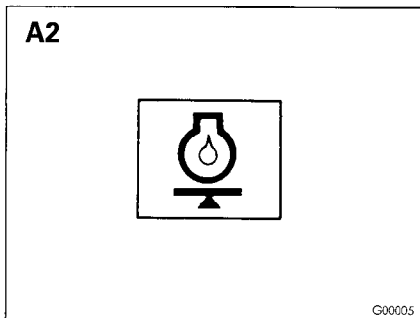
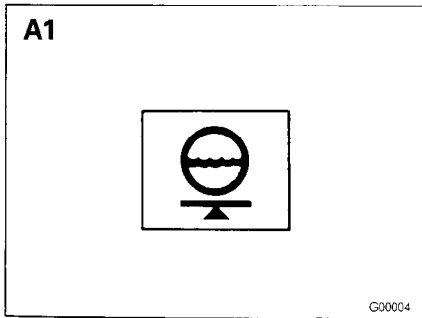


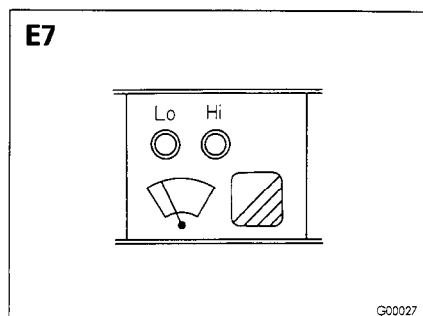
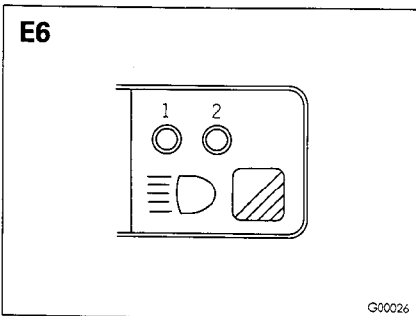
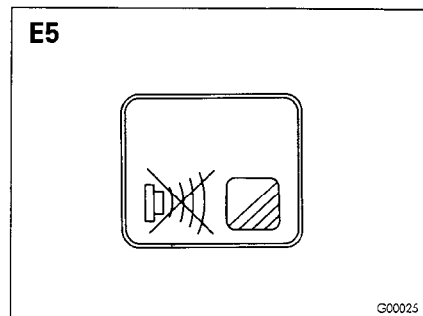
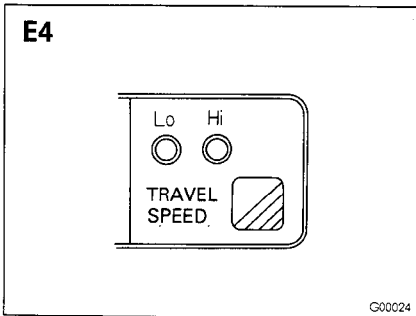
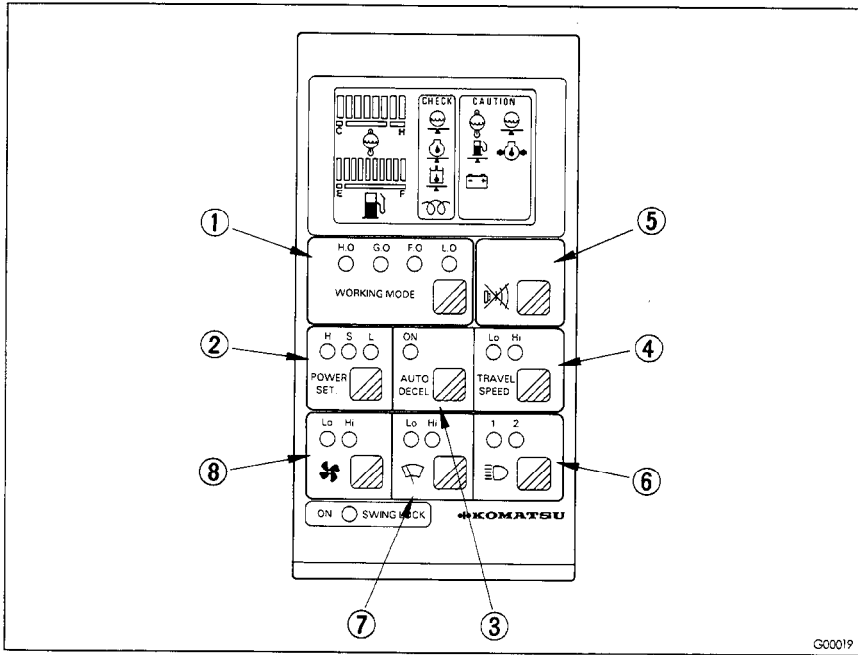
- Please note: If there is no response to CLICKING the link, please download this PDF first and then click on it.

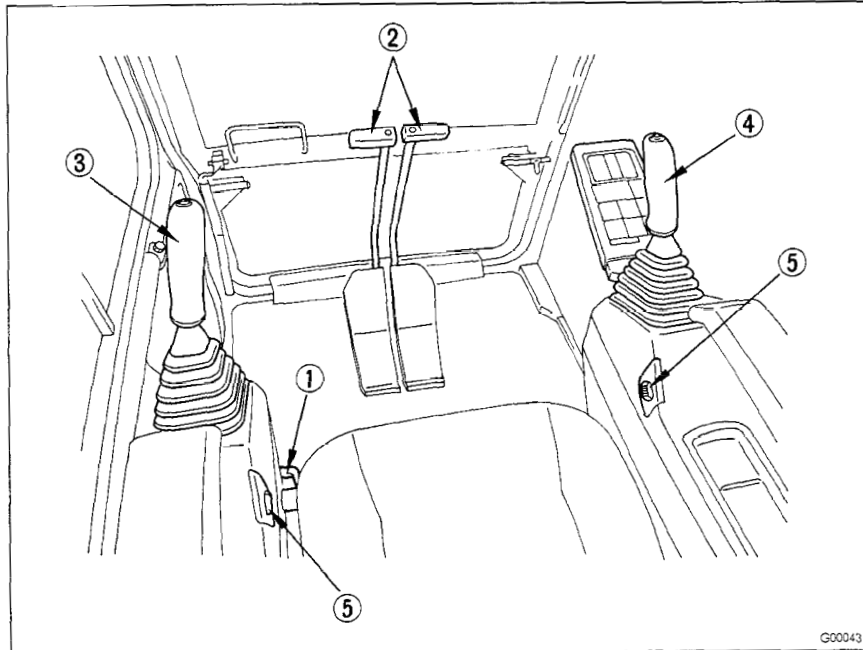
CLICK HERE TO **DOWNLOAD** THE COMPLETE MANUAL



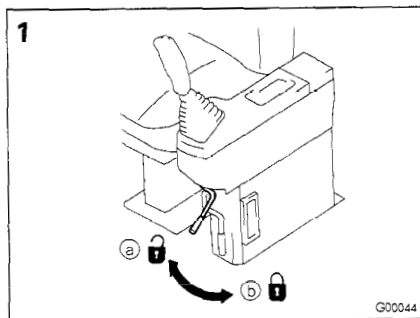
G00003



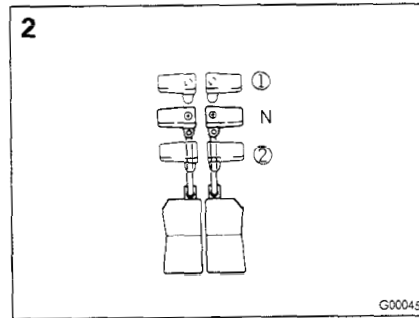




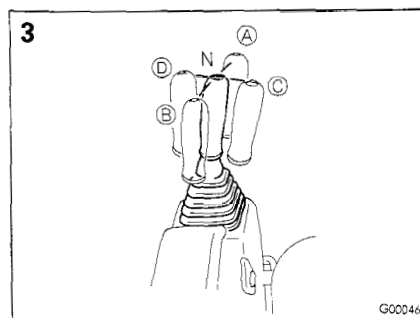
G00043



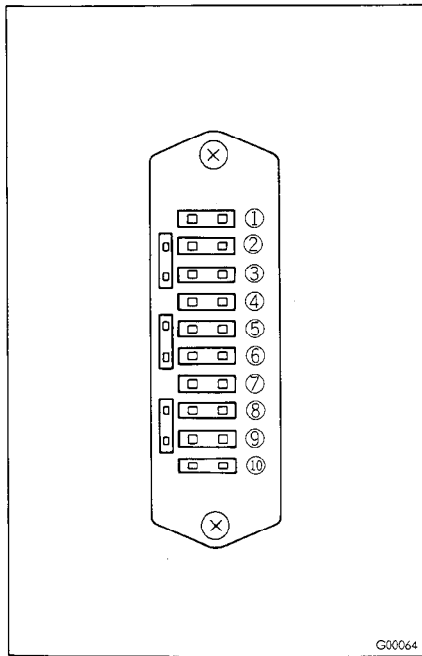
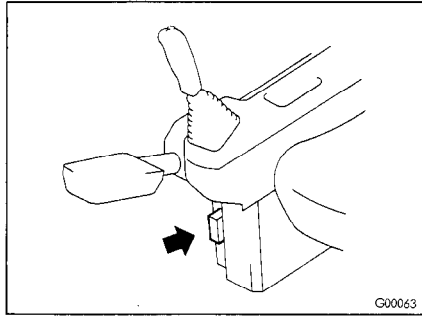
G00044

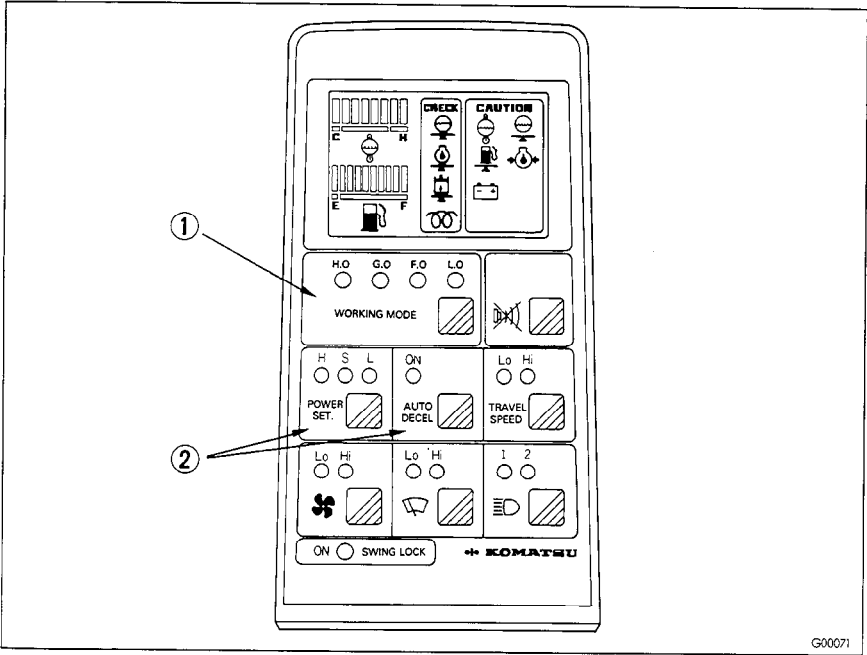


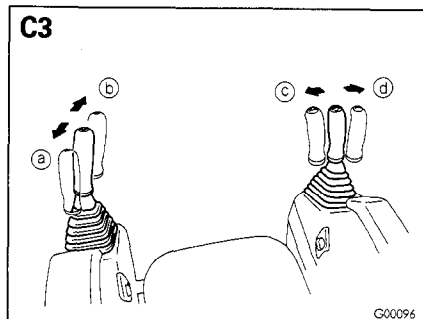
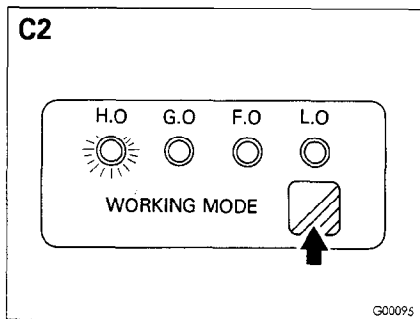
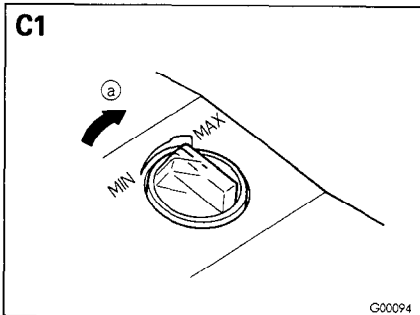
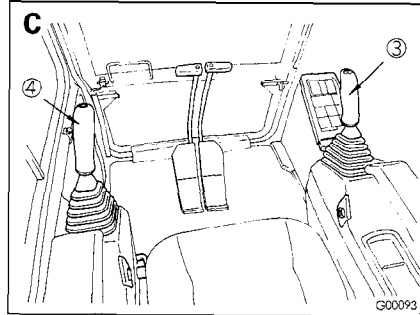
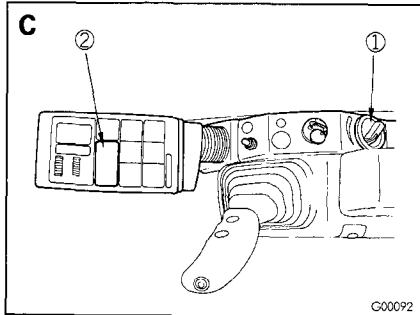
G00045

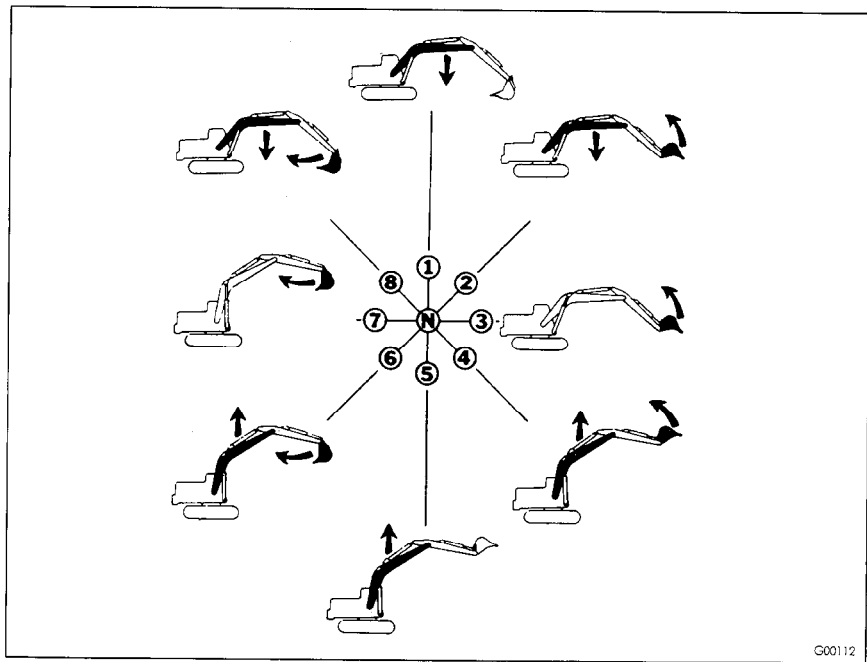
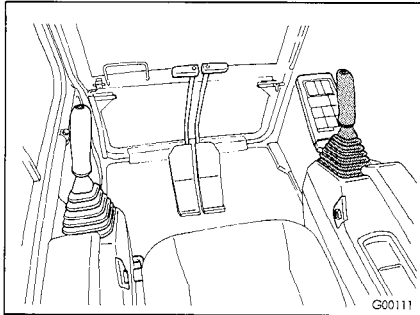


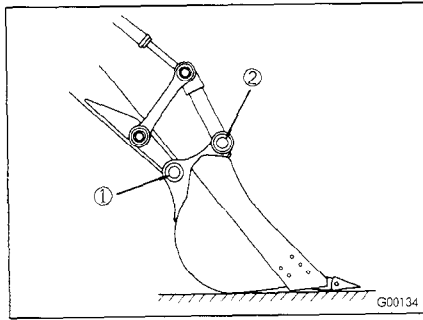
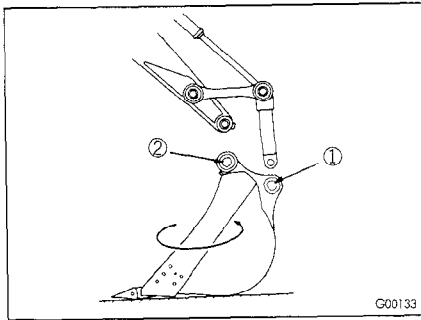
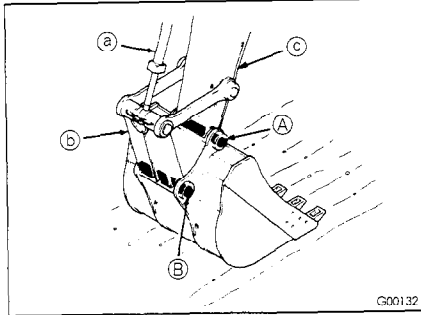
G00046

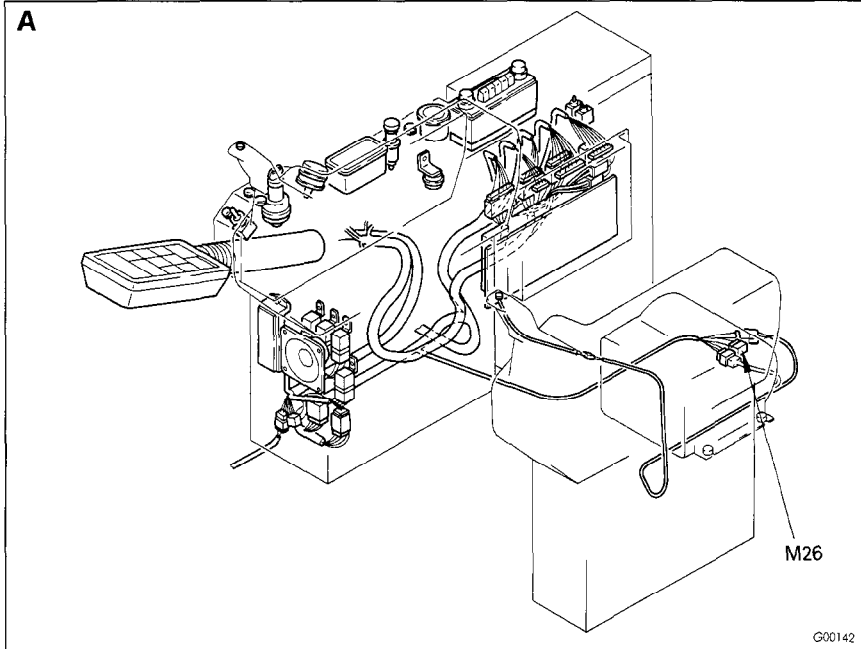


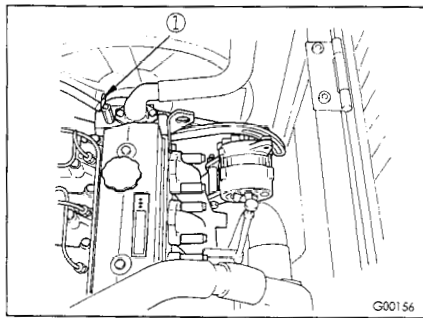












G00156

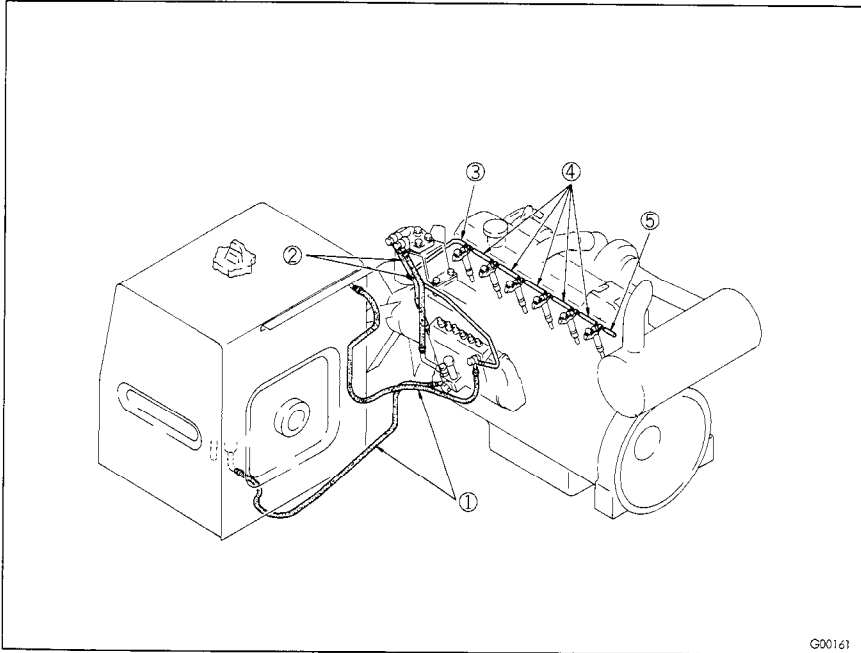
CLICK HERE TO **DOWNLOAD** THE COMPLETE MANUAL

- Thank you very much for reading the preview of the manual.
- You can download the complete manual from: www.heydownloads.com by clicking the link below

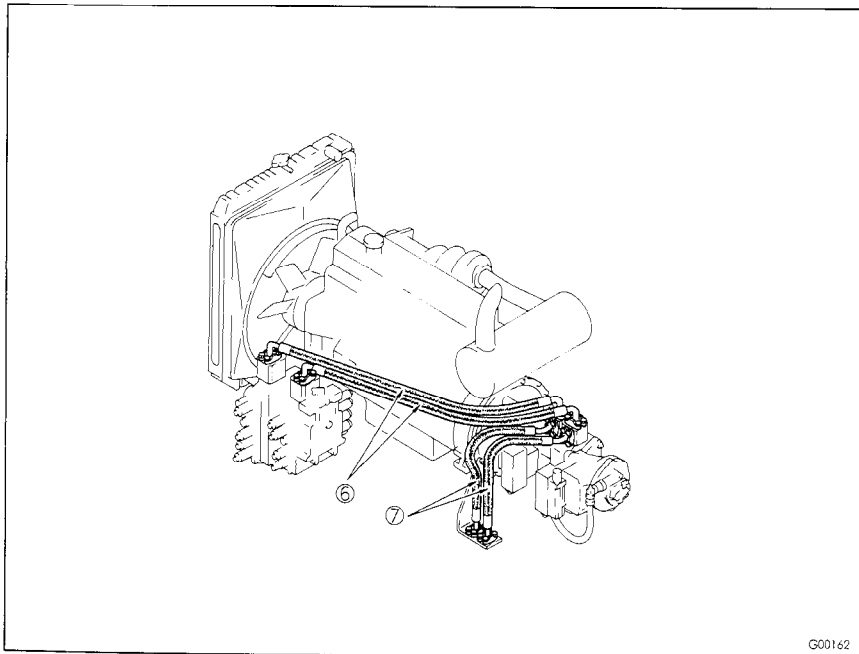


- Please note: If there is no response to CLICKING the link, please download this PDF first and then click on it.

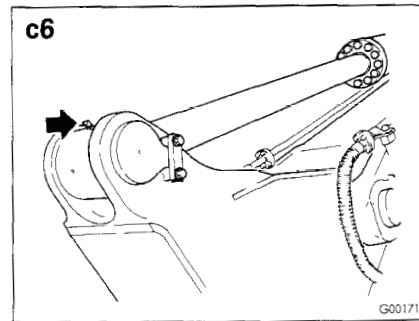
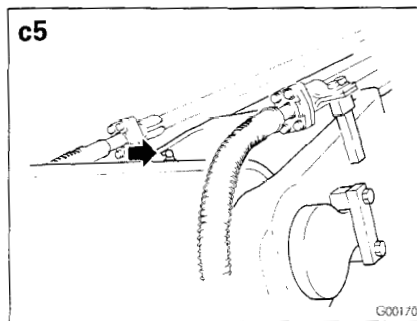
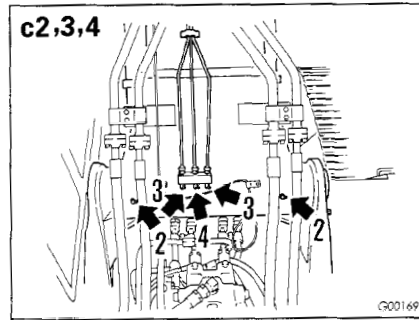
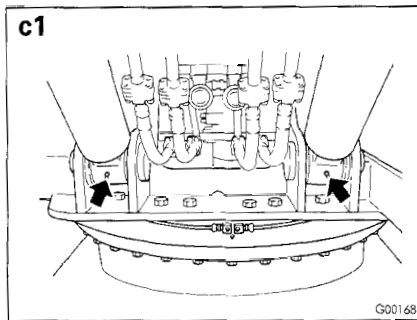
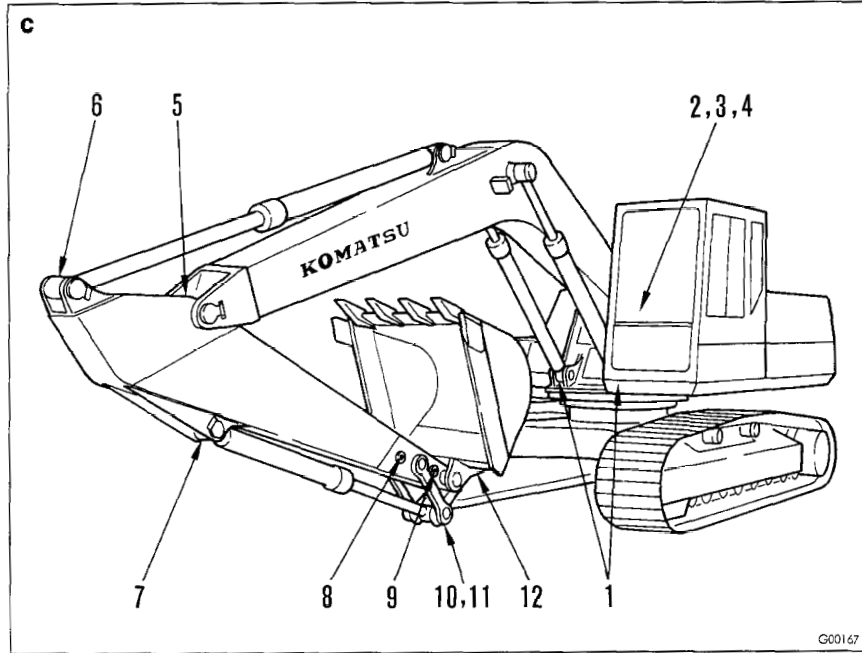
CLICK HERE TO **DOWNLOAD** THE COMPLETE MANUAL

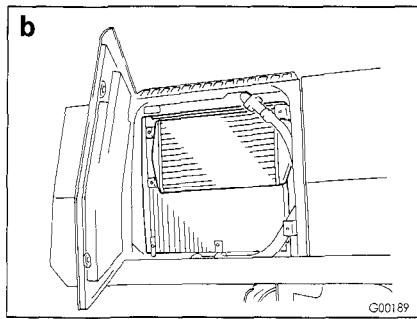
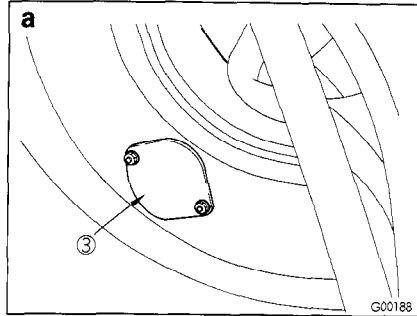
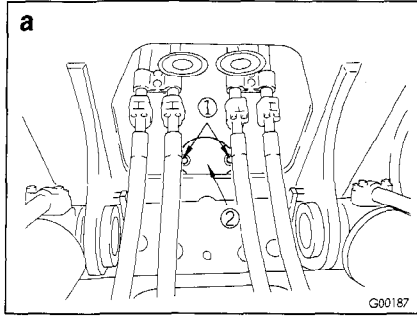


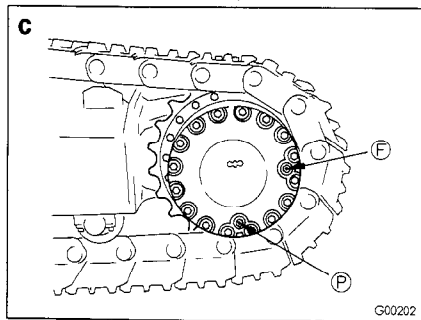
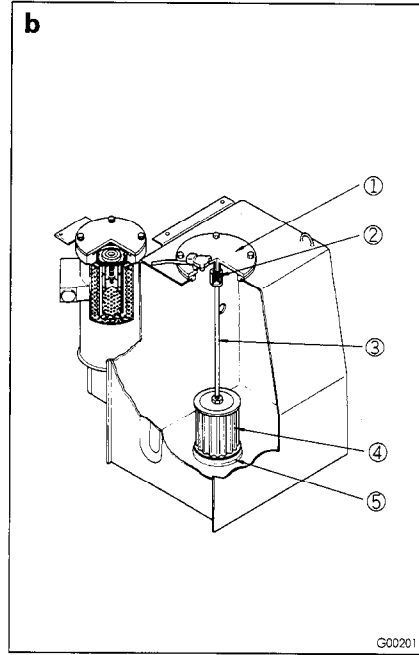
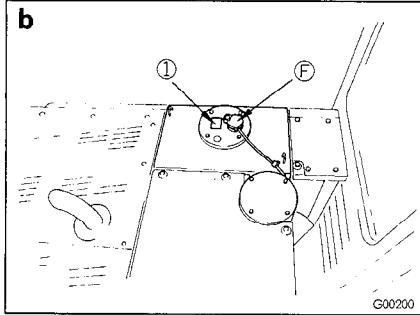
G00161

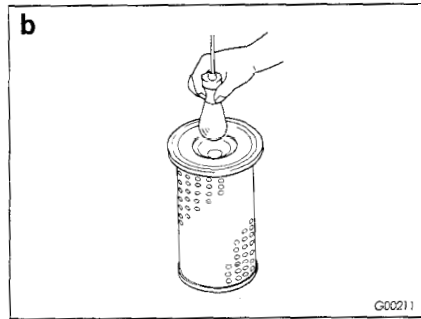
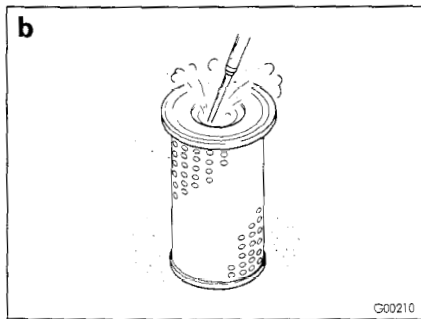


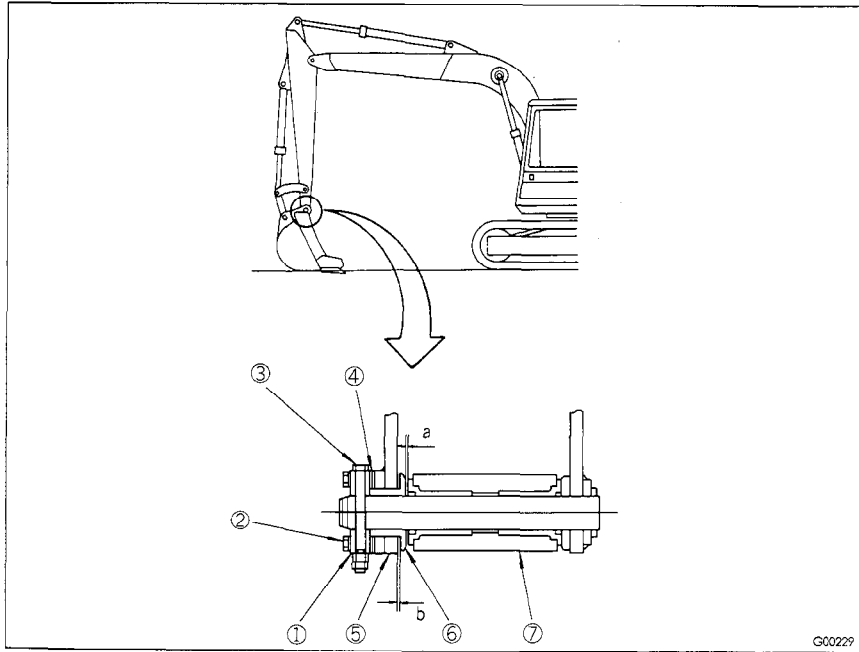
G00162



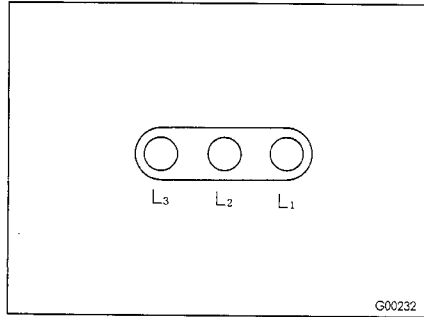




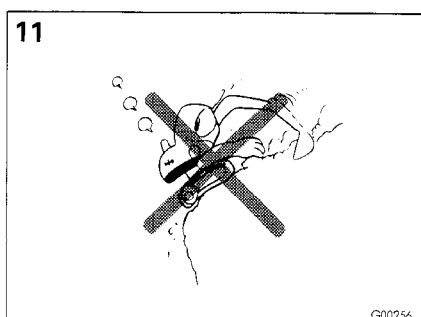
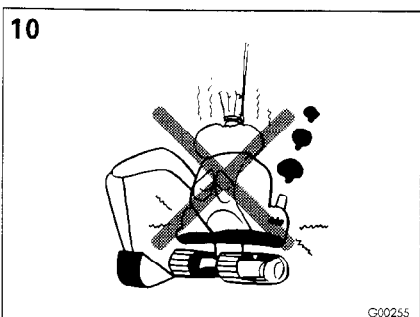
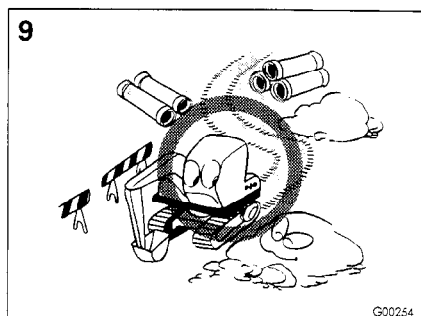
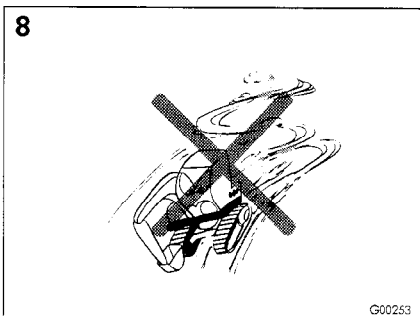
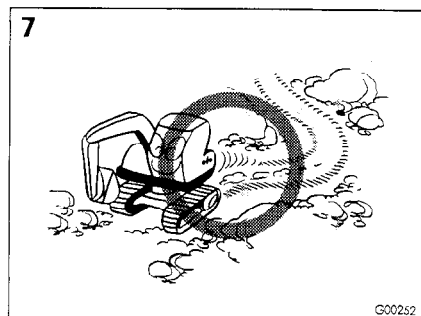
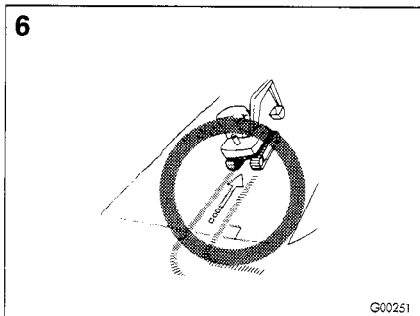
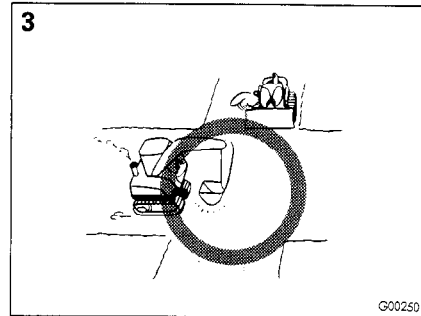
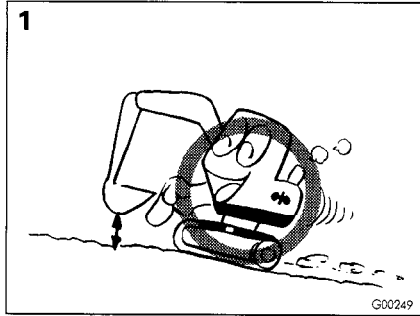


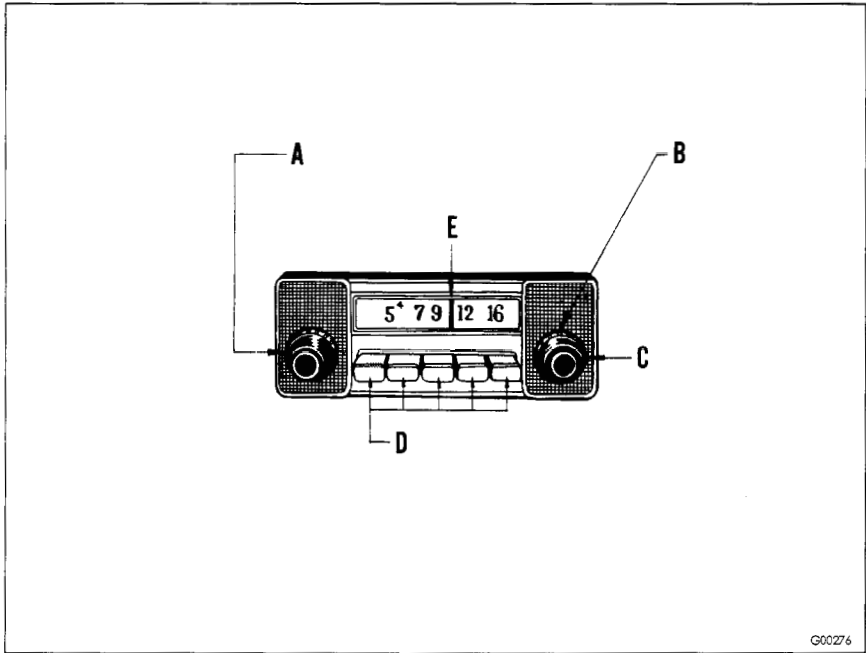


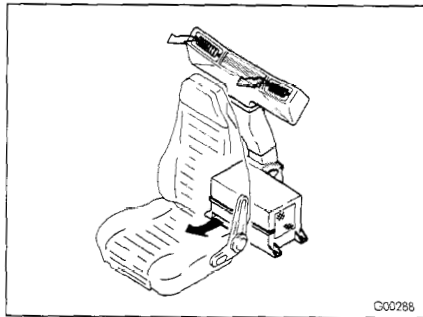
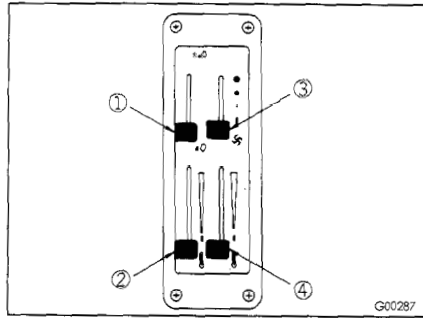
G00229



SAFETY AND OPERATION







CLICK HERE TO **DOWNLOAD** THE COMPLETE MANUAL

- Thank you very much for reading the preview of the manual.
- You can download the complete manual from: www.heydownloads.com by clicking the link below



- Please note: If there is no response to CLICKING the link, please download this PDF first and then click on it.

CLICK HERE TO **DOWNLOAD** THE COMPLETE MANUAL