

# Instruction manual

## Operating & Maintenance

4812162201.pdf

Vibratory rollers

CC1100/1200

Engine

Kubota D1703

Serial number

10000367xFA0xxxxx -

10000368xFA0xxxxx -

10000370xFA0xxxxx -

10000371xFA017074 -



Translation of original instruction

CLICK HERE TO **DOWNLOAD** THE COMPLETE MANUAL

- Thank you very much for reading the preview of the manual.
- You can download the complete manual from: [www.heydownloads.com](http://www.heydownloads.com) by clicking the link below



- Please note: If there is no response to CLICKING the link, please download this PDF first and then click on it.

CLICK HERE TO **DOWNLOAD** THE COMPLETE MANUAL

## Introduction

### Warning symbols

#### The machine

Dynapac CC1100/1200 are two self-propelled vibratory tandem rollers in the 2 metric tonnes class featuring 1100/1200 mm wide drums. The machines are equipped with drive, brakes, and vibration on both drums.

#### Intended use

CC1100/1200 has primarily been designed for the compaction of asphalt, but has excellent compaction capacity for reinforcement layers and bearing courses. The roller is mainly intended for compacting asphalt on streets and minor roads in towns. It has sufficient capacity to follow a small asphalt paver.



**WARNING !** Marks a danger or a hazardous procedure that can result in life threatening or serious injury if the warning is ignored.



**CAUTION !** Marks a danger or hazardous procedure that can result in damage to the machine or property if the warning is ignored.

### Safety information



**It is recommended to at least train operators in handling and daily maintenance of the machine in accordance with the instruction manual. Passengers are not allowed on the machine, and you must sit in the seat when operating the machine.**



**The safety manual supplied with the machine must be read by all roller operators. Always follow the safety instructions. Do not remove the manual from the machine.**



**We recommend that the operator reads the safety instructions in this manual carefully. Always follow the safety instructions. Ensure that this manual is always easily accessible.**

### Jump starting

**!** Do not connect the negative cable to the negative terminal on the dead battery. A spark can ignite the oxy-hydrogen gas formed around the battery.

**!** Check that the battery used for jump starting has the same voltage as the dead battery.

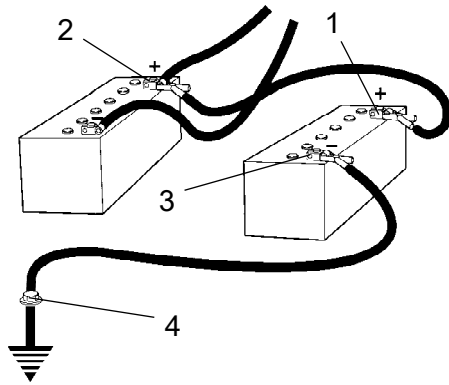



Fig. Jump starting

Turn the ignition and all power consuming equipment off. Switch off the engine on the machine which is providing jump start power.

First connect the jump start battery's positive terminal (1) to the flat battery's positive terminal (2). Then connect the jump start battery's negative terminal (3) to, for example, a bolt (4) or the lifting eye on the machine with the flat battery.

Start the engine on the power providing machine. Let it run for a while. Now try to start the other machine. Disconnect the cables in the reverse order.

EMISSION CONTROL INFORMATION 	
THIS ENGINE MEETS 2008 Int. Tier4 EMISSION REGULATIONS FOR U. S. EPA AND CALIFORNIA NONROAD CI ENGINES.	
<b>Kubota</b> KUBOTA Corporation	
MODEL :	ENGINE
FAMILY :	ECS: EM
POWER :	CATEGORY:
VALVE CLEARANCE (COLD) :	
INJ. TIMING:	
LOW SULFUR DIESEL OR ULTRA LOW SULFUR DIESEL FUEL ONLY	
CONTACT KUBOTA FOR FUEL SETTING.	I TH239-2

## Operation

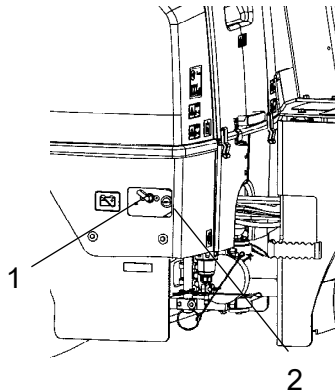
### Before starting

#### Master switch - Switching on

Remember to carry out daily maintenance. See the maintenance instructions.

The battery disconnecter is on the left side in the engine compartment.

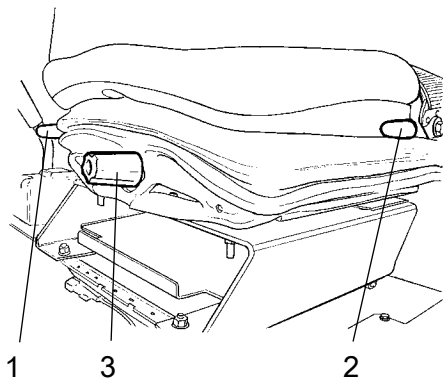
Turn the key (1) to switched on position. The roller is now supplied with power.



**Fig. Engine compartment**  
 1. Battery disconnecter  
 2. Power socket, 12 V



**The engine hood must be unlocked during operation, unless the battery disconnecter is freely accessible from the outside, so that the battery voltage can be quickly disconnected if necessary.**



**Fig. Driver seat**  
 1. Handle - Length adjustment  
 2. Handle - Backrest angle  
 3. Handle - Weight adjustment

#### Driver seat (Std) - Adjustment

Adjust the operator's seat so that the position is comfortable and so that the controls are within easy reach.

The seat can be adjusted as follows.

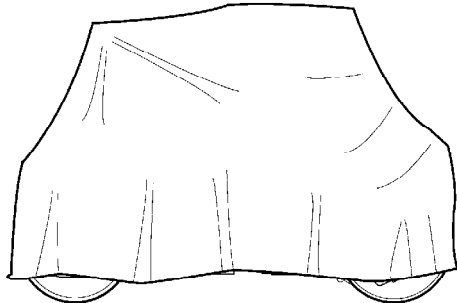
- Length adjustment (1)
- Backrest adjustment (2)
- Weight adjustment (3)



**Always check that the seat is in locked position before starting.**

## Long-term parking

 The following instructions should be followed when long term parking (more than one month).



**Fig. Roller weather protection**

These measures apply when parking for a period of up to 6 months.

Before re-commissioning the roller, the points marked with an asterisk \* must be returned to the pre-storage state.

Wash the machine and touch up the paint finish to avoid rusting.

Treat exposed parts with anti-rust agent, lubricate the machine thoroughly and apply grease to unpainted surfaces.

### Engine

\* Refer to the manufacturer's instructions in the engine manual that is supplied with the roller.

### Battery

\* Remove the battery/batteries from the machine, clean the outside and trickle charge once a month.

### Air cleaner, exhaust pipe

\* Cover the air cleaner (see under the heading 'Every 50 hours of operation' or 'Every 1000 hours of operation') or its opening with plastic or tape. Also cover the exhaust pipe opening. This is to avoid moisture entering the engine.

### Fuel tank

Fill the fuel tank completely full to prevent condensation.

### Hydraulic reservoir

Fill the hydraulic reservoir to the uppermost level mark (see under the heading 'Every 10 hours of operation.')

### Water tank

Empty the water tank completely to avoid fouling.

CLICK HERE TO **DOWNLOAD** THE COMPLETE MANUAL

- Thank you very much for reading the preview of the manual.
- You can download the complete manual from: [www.heydownloads.com](http://www.heydownloads.com) by clicking the link below



- Please note: If there is no response to CLICKING the link, please download this PDF first and then click on it.

CLICK HERE TO **DOWNLOAD** THE COMPLETE MANUAL

## Operating instructions - Summary



1. Follow the **SAFETY INSTRUCTIONS** specified in the **Safety Manual**.
2. Make sure that all instructions in the **MAINTENANCE** section are followed.
3. Turn the master switch to the **ON** position.
4. Move the forward/reverse lever to the **NEUTRAL** position.
5. Set the switch for Manual/Automatic vibration to the **0** position.
6. Set the engine speed control to full speed.
7. Set the emergency stop in the pulled out position.
8. Start the engine and allow it to warm up.
9. Set the engine speed control to the operating position.



10. **Drive the roller. Operate the forward/reverse lever with care.**



11. **Check the brakes, drive slowly. Remember that the braking distance will be longer if the roller is cold.**
12. Use vibration only when the roller is in motion.
13. Check that the drums are thoroughly watered when watering is required.

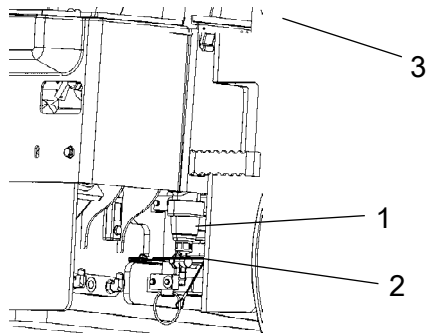


14. **IN AN EMERGENCY:**
  - Press the **EMERGENCY STOP**
  - Hold the steering wheel firmly.
  - Brace yourself for a sudden stop. The engine stops.
15. Parking: - Stop the engine and chock the drums.
16. When lifting: - Refer to the relevant section in the Instruction Manual.
17. When towing: - Refer to the relevant section in the Instruction Manual.
18. When transporting: - Refer to the relevant section in the Instruction Manual.
19. When recovering - Refer to the relevant section in the Instruction Manual.

### Every 1000 hours of operation

See Contents to find the page number of the sections referred to!

Pos. in fig	Action	Comment
5	Check the condition of the battery	
6	Change engine oil and oil filter	Refer to the engine manual
18	Check the oil level in the drum	
10	Check the rubber elements and bolted joints	
11	Check the hydraulic reservoir cover/breather	
6	Lubricate hinges and controls	
6	Check the V-belt on the engine	Refer to the engine manual
3	Check coolant freezing point	Change the coolant every other year
4	Change air filter elements	
13	Change the hydraulic fluid filter	
12	Drain condensate from hydraulic tank	
6	Change the engine's fuel filter	Refer to the engine manual
6	Change the engine's pre-filter	Refer to the engine manual
6	Check the engine's toothed belt	Refer to the engine manual
6	Check engine's valve clearances	Refer to the engine manual



**Fig. Pump system**  
**1. Water filter**  
**2. Stop cock**  
**3. Water pump**

When cleaning the coarse filter (1), open the cock (2) and loosen the filter housing.

Clean the filter and filter housing. Check that the rubber gasket in the filter housing is intact.

After inspecting and carrying out any necessary cleaning, start the system and check that it works.

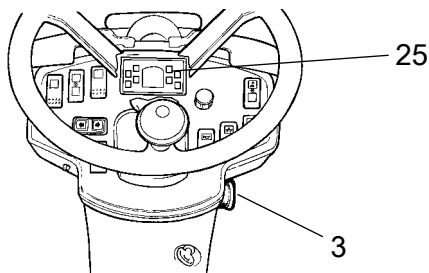
A drain cock is placed on the left side of the pump system area. This can be used to drain the tank and the pump system.



**Brakes - Check**



**Check operation of the brakes as follows:**



**Figure. Instrument panel**  
**3. Emergency stop**  
**25. Parking brake lamp**

Run the roller very slowly forward. Hold the steering wheel firmly and brace yourself for a sudden stop.

Press in the emergency stop (3). The roller will stop abruptly and the engine will switch off.

After testing the brakes, set the forward/reverse lever in neutral.

Pull out the emergency stop (3). Start the engine.

The roller is now ready for operation.

**Refer also to the section in the manual on operation.**

## Maintenance - 500 / 1500h



**Park the roller on a level surface. The engine must be switched off and the parking brake activated when checking or adjusting the roller, unless otherwise specified.**



**Ensure that there is good ventilation (air extraction) if the engine is run indoors. Risk of carbon monoxide poisoning.**



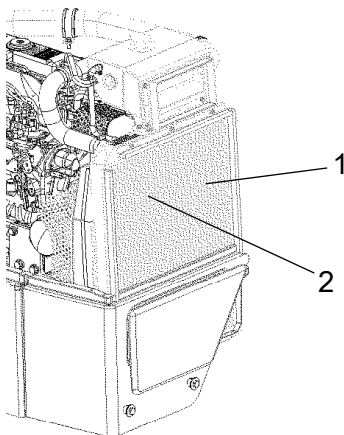
### Coolers Checking - Cleaning

Make sure that the air flow through the coolers (1) and (2) is unobstructed. Dirty coolers are blown clean with compressed air or washed clean using a high-pressure water cleaner.

Blow air or direct water through the cooler in the opposite direction to that of the cooling air.



**Take care when using a high-pressure water jet. Do not hold the nozzle too near the cooler.**



**Fig. Engine compartment**  
1. Water cooler  
2. Hydraulic fluid cooler



**Wear protective goggles when working with compressed air or high-pressure water jets.**



### Hydraulic reservoir cap - Check

Screw off the tank cap and check that it is not clogged. Air must have unobstructed passage through the cap in both directions.

If clogged in either direction, clean with a little diesel oil and blow with compressed air until free passage is assured or replace the cap with a new one.



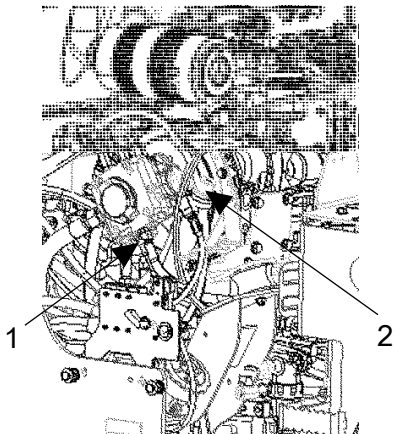
***Wear protective goggles when working with compressed air.***



### Controls - Lubrication

Lubricate the forward/reverse lever in the engine compartment with a few drops of oil.

If the lever gets stiff after a prolonged period of use, remove the cover and lever and lubricate.



**Fig. Engine compartment**  
**1. Forward/Reverse lever**  
**2. Hydraulic reservoir cap**



### Hydraulic reservoir cap - Check

Screw off the tank cap and check that it is not clogged. Air must have unobstructed passage through the cap in both directions.

If clogged in either direction, clean with a little diesel oil and blow with compressed air until free passage is assured or replace the cap with a new one.



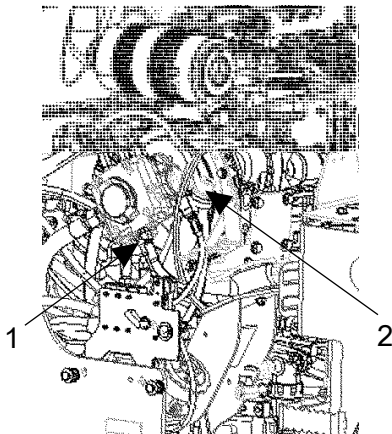
***Wear protective goggles when working with compressed air.***



### Controls - Lubrication

Lubricate the forward/reverse lever in the engine compartment with a few drops of oil.

If the lever gets stiff after a prolonged period of use, remove the cover and lever and lubricate.



**Fig. Engine compartment**  
**1. Forward/Reverse lever**  
**2. Hydraulic reservoir cap**

CLICK HERE TO **DOWNLOAD** THE COMPLETE MANUAL

- Thank you very much for reading the preview of the manual.
- You can download the complete manual from: [www.heydownloads.com](http://www.heydownloads.com) by clicking the link below



- Please note: If there is no response to CLICKING the link, please download this PDF first and then click on it.

CLICK HERE TO **DOWNLOAD** THE COMPLETE MANUAL