



# Bobcat®

## Operation & Maintenance Manual



### Vibratory Roller

(Roller 48 Padded) S/N AFLJ00101 & Above

(Roller 48 Smooth) S/N AFLK00101 & Above

(Roller 73 Padded) S/N AFLD00101 & Above

(Roller 73 Smooth) S/N AFLE00101 & Above

(Roller 80 Smooth) S/N AFLC00101 & Above



CLICK HERE TO **DOWNLOAD** THE COMPLETE MANUAL

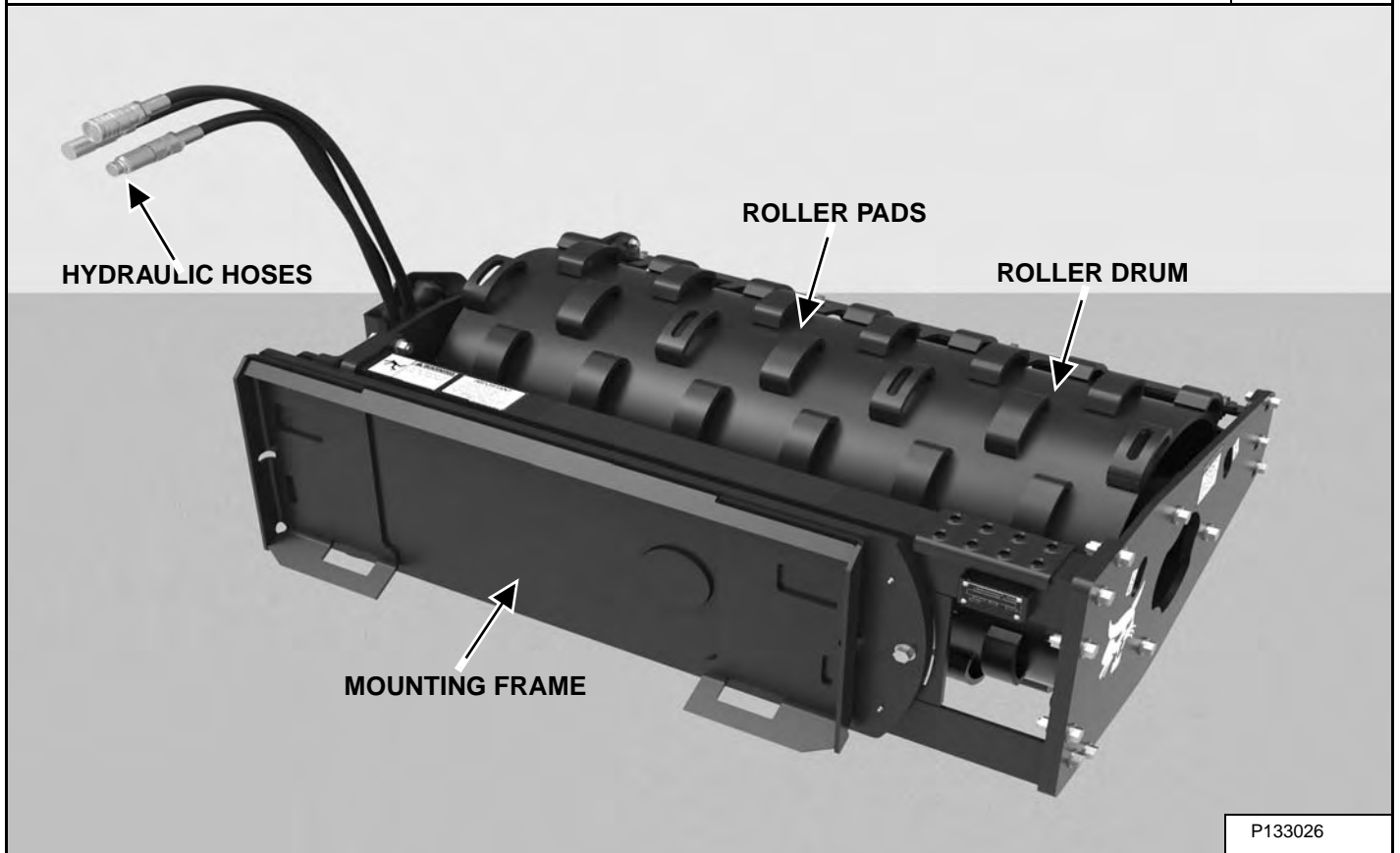
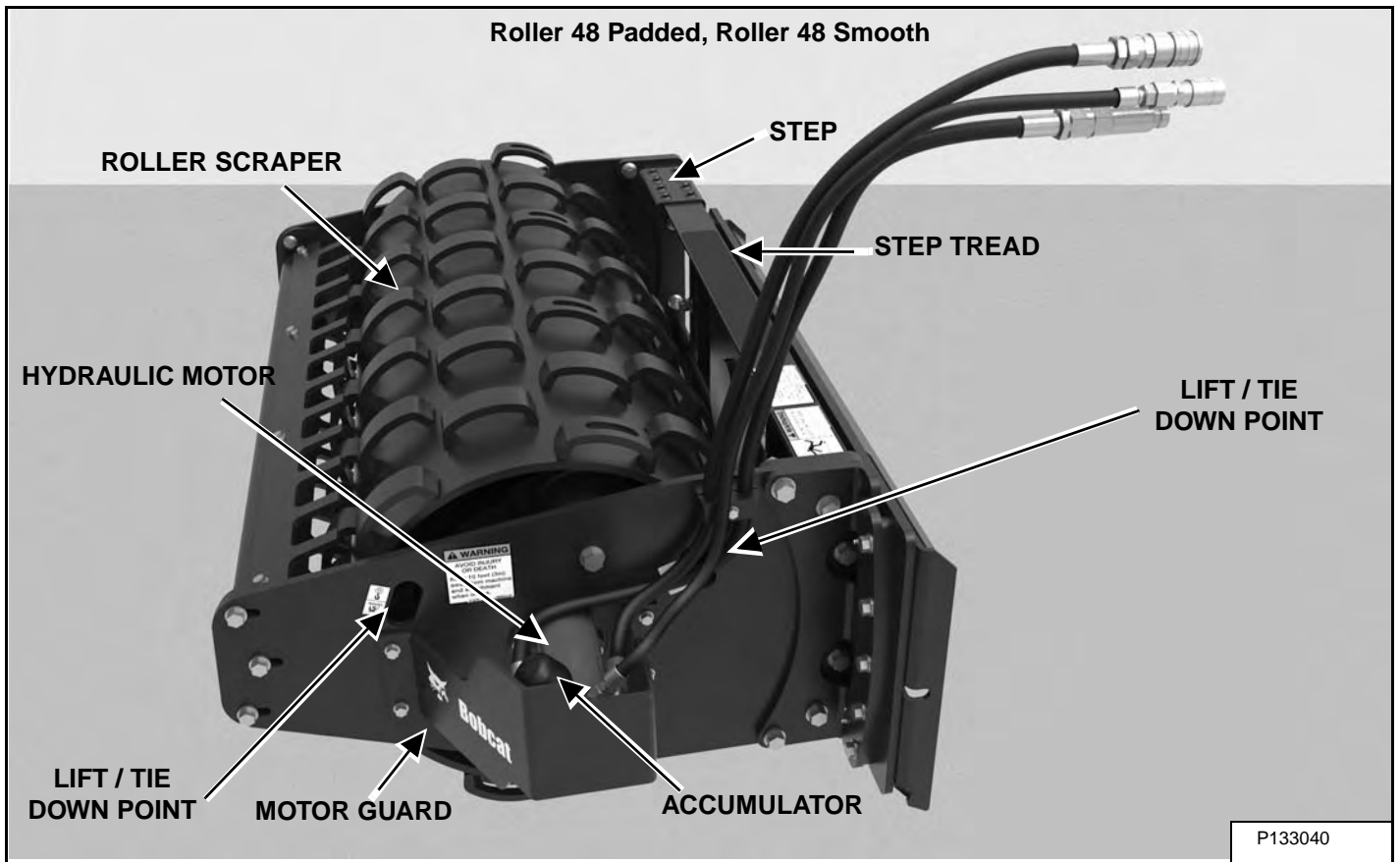
- Thank you very much for reading the preview of the manual.
- You can download the complete manual from: [www.heydownloads.com](http://www.heydownloads.com) by clicking the link below



- Please note: If there is no response to CLICKING the link, please download this PDF first and then click on it.

CLICK HERE TO **DOWNLOAD** THE COMPLETE MANUAL

ATTACHMENT IDENTIFICATION (LATER MODELS)



ATTACHMENT SIGNS (DECALS) (CONT'D)

Roller 73 Padded, Roller 73 Smooth, Roller 80 Smooth

**WARNING**  
 AVOID INJURY  
 OR DEATH  
 Keep 10 feet (3m)  
 away from machine  
 and attachment  
 when in use.

6583862 (2)



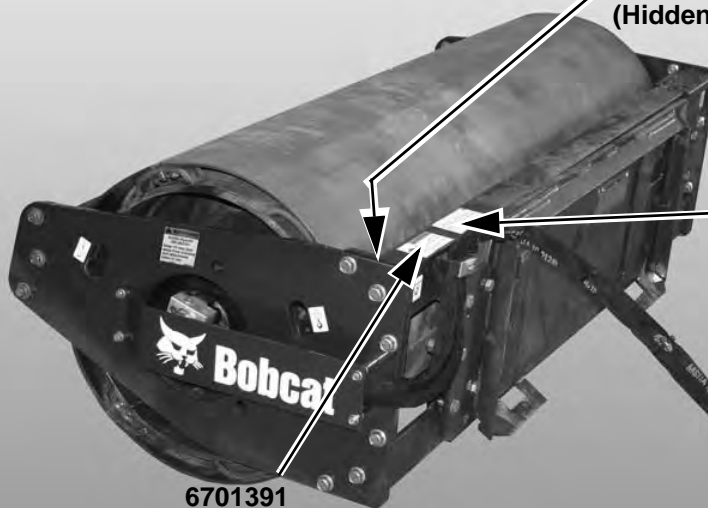
P-83656

**HOSE  
 STORAGE**

7175319  
 (Hidden)

**IMPORTANT**  
 • Operate auxiliary hydraulics on  
 STANDARD FLOW ONLY.  
 • Never exceed 24 GPM (91 L/min)  
 auxiliary hydraulic flow.  
**HYDRAULIC FLOW HIGHER THAN  
 RECOMMENDED WILL CAUSE  
 ATTACHMENT DAMAGE.**

7152860



6701391

**WARNING**  
  
**DO NOT ENTER OR  
 EXIT ON THIS SIDE.**  
 You could slip, trip or fall and become  
 seriously injured.

P-88652

## OPERATING PROCEDURE WITH LOADERS (CONT'D)

### Entering And Exiting The Loader (Cont'd)

#### *Exiting*

Lower the lift arms and put the attachment flat on the ground.

Stop the engine and engage the parking brake.

Lift the seat bar and make sure the lift and tilt functions are deactivated.

Remove the key.

Exit the loader.



#### **AVOID INJURY OR DEATH**

**Before you leave the operator's position:**

- **Lower the lift arms, put the attachment flat on the ground.**
- **Stop the engine and engage the parking brake.**
- **Move all pedals, handles, joysticks, and other controls until they are LOCKED or in the NEUTRAL position.**

**SEE THE MACHINE OPERATION & MAINTENANCE MANUAL FOR MORE INFORMATION.**

W-2722-0208

---

## OPERATING PROCEDURE WITH LOADERS (CONT'D)

### Removal

#### Hand Lever Bob-Tach

Lower the lift arms and put the attachment flat on the ground. Lower or close the hydraulic equipment (if equipped).

**NOTE:** In muddy conditions or to prevent the attachment from freezing to the ground, put the attachment on planks or blocks before removing the attachment from the loader.

Stop the engine and release auxiliary hydraulic pressure (if applicable). (See the loader's Operation & Maintenance Manual and Operator's Handbook for correct procedure.)

Exit the loader. (See Entering And Exiting The Loader on Page 28.)

## ! WARNING

### AVOID INJURY OR DEATH

Before you leave the operator's seat:

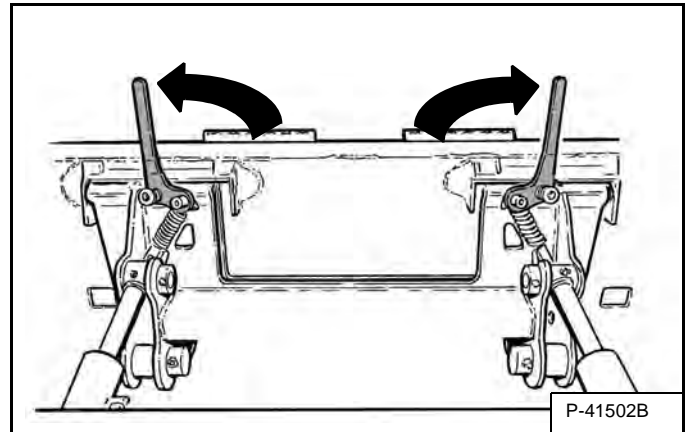
- Lower the lift arms and put the attachment flat on the ground.
- Stop the engine.
- Engage the parking brake.
- Raise the seat bar.
- Move all controls to the **NEUTRAL / LOCKED** position to make sure the lift, tilt and traction drive functions are deactivated.

The seat bar system must deactivate these functions when the seat bar is up. See your Bobcat dealer for service if controls do not deactivate.

W-2463-1110

Disconnect auxiliary hydraulic hoses. (See Hydraulic Quick Couplers on Page 35.)

Figure 39



Pull the Bob-Tach levers up [Figure 39] until they are fully raised (wedges fully raised).

## ! WARNING

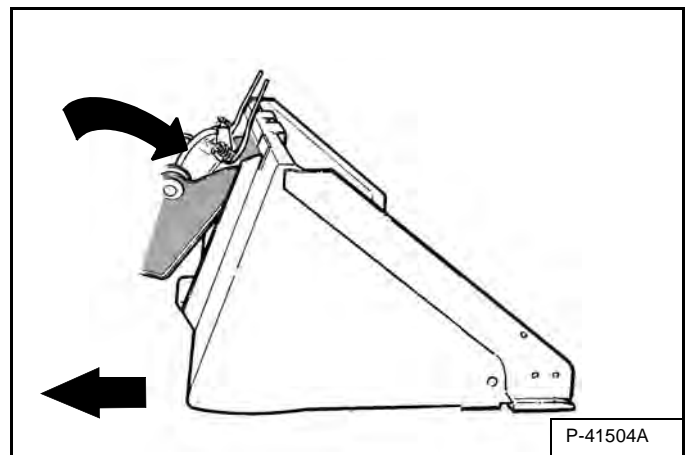
Bob-Tach levers have spring tension. Hold lever tightly and release slowly. Failure to obey warning can cause injury.

W-2054-1285

Enter the loader. (See Entering And Exiting The Loader on Page 28.)

Start the engine, press the **PRESS TO OPERATE LOADER** button and release the parking brake.


Figure 40



Tilt the Bob-Tach forward and drive the loader backward, away from the attachment [Figure 40].

## TROUBLESHOOTING

### Chart

 <b style="font-size: 24pt; margin-left: 10px;">WARNING</b>	<p>Instructions are necessary before operating or servicing machine. Read and understand the Operation &amp; Maintenance Manual, Operator's Handbook and signs (decals) on machine. Follow warnings and instructions in the manuals when making repairs, adjustments or servicing. Check for correct function after adjustments, repairs or service. Untrained operators and failure to follow instructions can cause injury or death.</p>
<p>W-2003-0807</p>	

Use the following troubleshooting chart to locate and correct problems which most often occur with the attachment.

ROLLER 48 PADDED AND ROLLER 48 SMOOTH		
PROBLEM	CAUSE	CORRECTION
Vibratory Roller shaft will not rotate.	Loader fluid reservoir is low.	Add fluid to reservoir on loader.
	No fluid to vibratory roller.	Check connections and flow to roller.
	Loader hydraulic pump not working.	Repair or replace as needed.
	Damaged quick couplers.	Replace quick couplers.
	Coupler flexible element is broken or torn.	Replace the flexible element.
Vibratory Roller shaft rotates slowly.	Not enough hydraulic flow.	Test loader hydraulics for flow and pressure.
	Relief valve in hydraulic cushion is not functioning.	See the vibratory roller Service Manual for the correct procedure.
Vibratory Roller shaft will not rotate.	Loader fluid reservoir is low.	Add fluid to reservoir on loader, remove relief valve and inspect O-ring condition.
Does not oscillate.	Lack of lubrication.	Grease the mounting frame.
ROLLER 73 PADDED, ROLLER 73 SMOOTH AND ROLLER 80 SMOOTH		
PROBLEM	CAUSE	CORRECTION
Vibratory Roller shaft will not rotate.	Loader fluid reservoir is low.	Add fluid to reservoir on loader.
	No fluid to vibratory roller.	Check connections and flow to roller.
	Loader hydraulic pump not working.	Repair or replace as needed.
	Damaged quick couplers.	Replace quick couplers.
	Coupler flexible element is broken or torn.	Replace the flexible element.
Vibratory Roller shaft rotates slowly.	Not enough hydraulic flow.	Test loader hydraulics for flow and pressure.
	Relief valve in hydraulic cushion is not functioning.	See the vibratory roller Service Manual for the correct procedure.
Vibratory Roller shaft will not rotate.	Loader fluid reservoir is low.	Add fluid to reservoir on loader, remove relief valve and inspect O-ring condition.
Does not oscillate.	Improper wear plate adjustment.	See the vibratory roller Operation & Maintenance Manual for the correct procedure.
Motor shaft seal leaks when roller is disconnected.	Thermal expansion.	Install case drain accumulator kit.

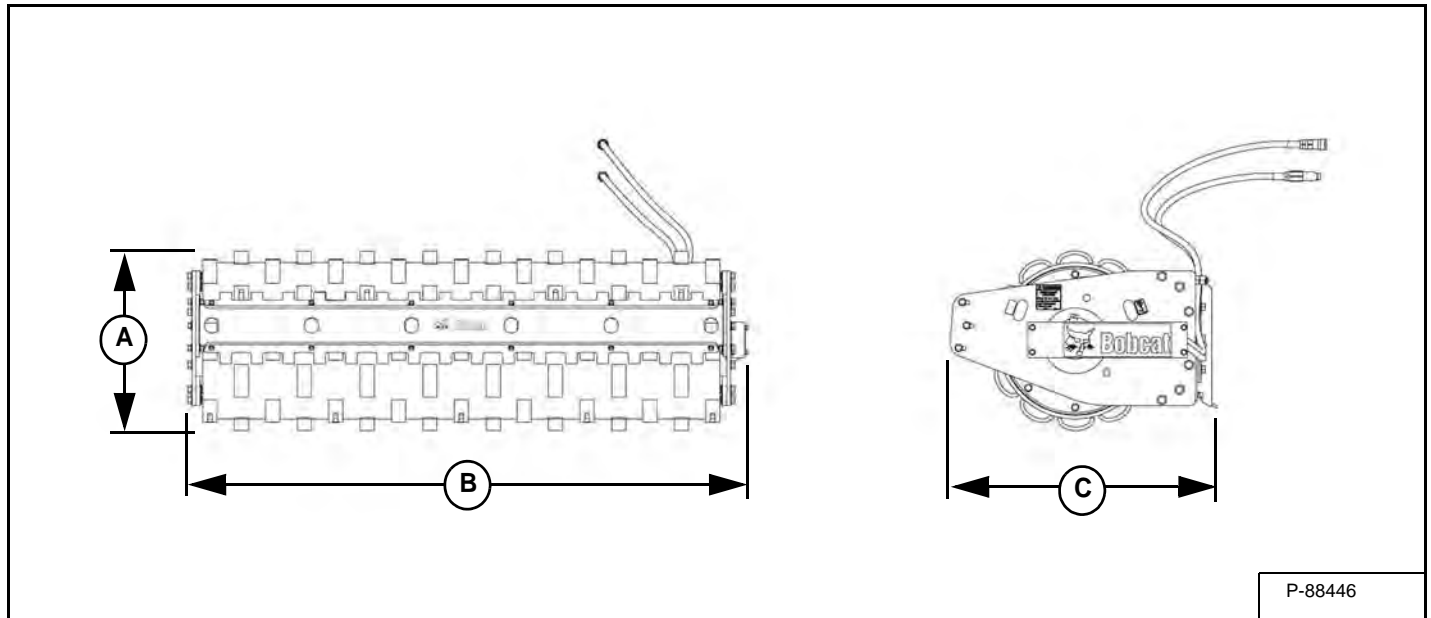
## MACHINE SIGN TRANSLATIONS

MACHINE SIGN TRANSLATIONS .....	.61
Warning (6701391) .....	.61
Warning (6583862) .....	.62
Important (7175068) .....	.63
Important (7152860) .....	.64

## (ROLLER 73 PADDED) SPECIFICATIONS

### Dimensions

- Where applicable, specifications conform to **SAE and ISO** standards and are subject to change without notice



P-88446

DESCRIPTION	ROLLER 73 PADDED
Height (A)	643 mm (25.4 in)
Width (B)	2006 mm (79 in)
Length (C)	963 mm (37.9 in)

### Performance

DESCRIPTION	ROLLER 73 PADDED
Drum Diameter	643 mm (25.4 in)
Operating Weight	993 kg (2189 lb)
Operating Weight With Smooth Shells	1233 kg (2719 lb)
Number of Pads	102
Drum Oscillation	+/- 7.5°
Dynamic Force	3246 kg (7156 lb) @ 64,35 L/min (17 U.S. gpm)
	4493 kg (9905 lb) @ 75,71 L/min (20 U.S. gpm)
	6470 kg (14263 lb) @ 90,85 L/min (24 U.S. gpm)
Frequency	2041 vpm @ 64,35 L/min (17 U.S. gpm)
	2401 vpm @ 75,71 L/min (20 U.S. gpm)
	2882 vpm @ 90,85 L/min (24 U.S. gpm)

CLICK HERE TO **DOWNLOAD** THE COMPLETE MANUAL

- Thank you very much for reading the preview of the manual.
- You can download the complete manual from: [www.heydownloads.com](http://www.heydownloads.com) by clicking the link below



- Please note: If there is no response to CLICKING the link, please download this PDF first and then click on it.

CLICK HERE TO **DOWNLOAD** THE COMPLETE MANUAL